



TABLE OF CONTENTS

INTRODUCTION 3

SAFETY

- Important Safety Instructions 4
- Safety Hazards..... 5
- Bedlift Electrical Connection..... 6

MACHINE SPECIFICATIONS 7

TOOL LIST 8

PREPARATION 9

COMPONENTS

- Front & Rear Right Main Tubes 11
- Front & Rear Left Main Tubes 12
- All Rear Braces & Corner Plates..... 13
- Front Braces & Motor Tube 15
- Load Chain Tensioners 16
- Front & Rear Drive Shafts..... 17
- Front-to-Back Chain Tensioner 18
- Drive System 19
- Load Chain & Connector Tubes..... 20
- Platforms & Connector Tubes 21
- Top Platform..... 22
- Top Platform..... 23
- Top Platform Vertical Backstops..... 24
- Top Platform Vertical Guards for ST327-96S..... 25
- L1 Platform Vertical Connectors 26
- L1 Platform Vertical Connectors for ST327-96S..... 27
- Limit Switches 28
- Drive Chain Guard..... 30
- Bumper & Sensors..... 31
- Outer Load Chain Guard..... 32
- Inner Load Chain Guard..... 34
- Front Covers..... 36
- Anchoring/Seismic Anchoring 37
- Bedlift Panels (Optional) 38
- Bedlift Panel Joining Hardware (Optional) 40
- Disassembly/Move/Re-assembly 41
- STx27/x30/x33-96S Bedlift Graphics 42

WIRING SCHEMATIC 45

DOCUMENT LIST 47

WARRANTY & LIABILITY 48

INTRODUCTION

This machine has been carefully designed and constructed to provide you with many years of dependable service. It has been built to meet or exceed current UL or CSA standards. With proper care in operation and maintenance, this machine will assist you in maximizing your efficiency.

To ensure the utmost value and performance from your machine, please read this manual carefully to be sure correct operation procedures are followed.

This manual provides you with operation, troubleshooting, and maintenance procedures for your machine. However, if help is needed or if any of these procedures are unclear, please contact Vidir at 1-800-210-0141.

SERIAL NUMBER

Please be sure to record the serial number for any future service calls and parts ordering.

Serial No. _____

IMPORTANT CAUTION NOTICE:

Vidir has made every effort to protect operators and others from injury due to mechanical parts movement and electrical safety. As with any mechanical device, the operator is responsible to inspect the condition of the machine prior to use and adhere to safe operating procedures at all times.

A factory approved Preventative Maintenance is recommended every 12 months or 100 hours, whichever comes first.

Information in this document is proprietary, confidential, and property of Vidir Machine Inc. Disclosure or duplication of this material is prohibited except by authorization of Vidir Machine Inc.

service@vidir.com

Head Office
Vidir Machine Inc.
Box 700
Arborg, Manitoba, Canada
R0C 0A0
Service: 1-866-821-2647
Toll Free: 1-800-210-0141
Phone: 1-204-364-2442
Fax: 1-204-364-2454
Service Fax: 1-204-364-3072

U.S. Office
Vidir Inc.
19 East Lehman St.
Lebanon, PA
17046 USA
Service: 1-866-821-2647
Toll Free: 1-866-898-4347
Phone: 1-717-270-1000
Fax: 1-717-270-1001



SAFETY

Important Safety Instructions

Read this manual carefully to ensure familiarity with the controls and the proper use of the equipment.

The warnings and precautions contained in this manual **DO NOT** cover all potential dangers, and hazards that may be encountered.

This manual is intended to provide basic safety guidelines for proper operation, maintenance, and servicing of the machine.

WARNING – Risk of injury

- Installation and service of this machine should be performed by qualified service personnel.
- Only properly trained service personnel should have access to the interior components of the machine.
- Electrical connections should be performed by qualified electricians.
- Operation must be performed by trained personnel. Never allow children or unauthorized persons to operate the machine.
- **DO NOT** post the security password where unauthorized users will have access to it (if equipped with a security keypad)..

DANGER – To reduce the risk of electrical shock:

- Keep cord away from heated surfaces or areas where it can be easily damaged.
- Do not change current limit ratings of overload protectors. For further instruction please contact our service line.
- Turn all switches to the off position and disconnect power to the machine before cleaning, maintenance, or repairs.
- Risk of electrical shock – Connect this machine to a properly grounded outlet only. See grounding instructions.
- Keep the area of operation clear of all persons and potential hazards.
- Always shut off the main power switch before servicing the machine.
- Keep all guards and shields in place

Use this machine only for its intended purpose as described by these instructions.

Do not use attachments not recommended or approved by the manufacturer.





Never operate this machine if it has been damaged, has a damaged electrical cord, or if it is not working properly. Keep all guards and shields in place.

Keep area clean and organized during operation.

For further instruction please contact our service line.

SAFETY

Safety Hazards

	<p>Safety Hazard - Read Manual</p>	<p>-read and understand operator’s manual and all other safety instruction before using this machine.</p>
	<p>Safety Hazard - Entanglement</p>	<p>- loose clothing or jewelry could become entangled or drawn in.</p>
	<p>Safety Hazard - Crushing/Rolling</p>	<p>- platform may present a hazard of crushing; hospital bed may present hazard of rolling over toes or hands when loading/unloading the machine.</p>
	<p>Safety Hazard - Electrical shock/ Electrocution</p>	<p>- electrical circuits contain high voltages and may cause shock or electrocution;</p>

Cease all operation and lock out machine in any case where the machine is not operating as designed and call Vidir Service.

SAFETY

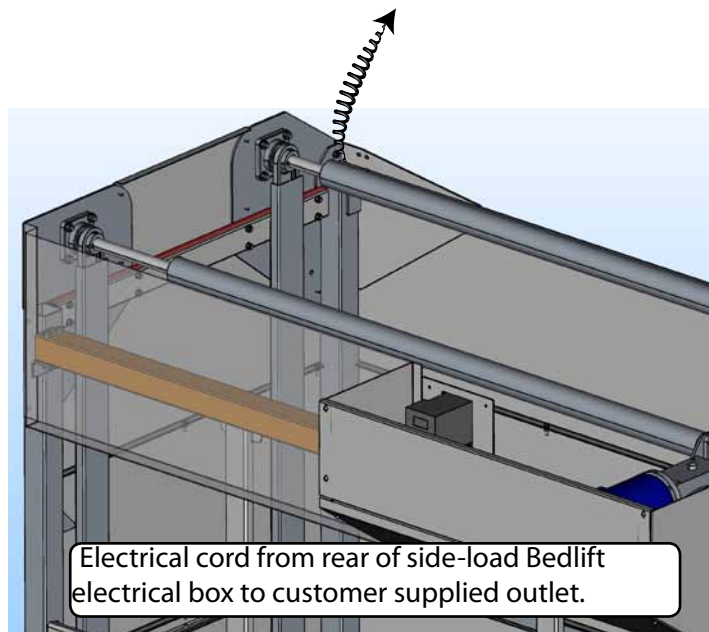
Bedlift Electrical Connection

Locate a customer-supplied outlet near the Bedlift system. Power supplied to this outlet should be on a dedicated/isolated* circuit (with an equal or less than 16A circuit breaker), including a dedicated/isolated ground wire to the distribution source.

This circuit should match the electrical specifications of the Bedlift.

Plug-in installation considerations: Power supply cord must NOT run through walls, ceilings, floors and similar openings in the building structure. Be sure to take measures to prevent physical damage to the power supply cord. This includes proper routing of the power supply cord and provision for receptacle (socket outlet) within reach of electrical cord length.

6ft (1.8m) electrical cord is supplied with Bedlift machine. Bedlift can be hardwired by a certified electrician.



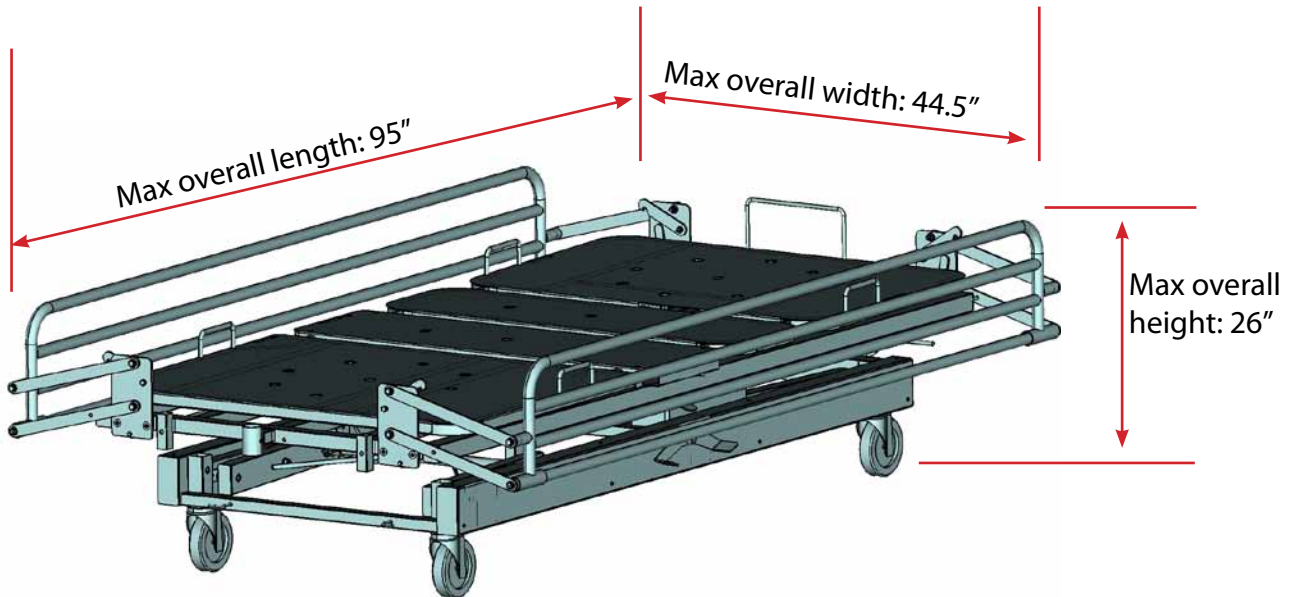
Model	120V, 60 Hz	240V, 50Hz/60 Hz	
	15 Amp	10 Amp	15 Amp
ST327-96S/ST330-96S	X	X	
ST427-96S			X
Plug	NEMA 5-15 Type B	Schuko (50Hz)/NEMA 6-15 (60 Hz)	

*Note: "Dedicated/isolated" is defined as separate hot, neutral and ground wires from the customer distribution source/breaker panel to the Bedlift junction box/receptacle. To avoid electrical interference, systems must never share wires with any external equipment.

MACHINE SPECIFICATIONS

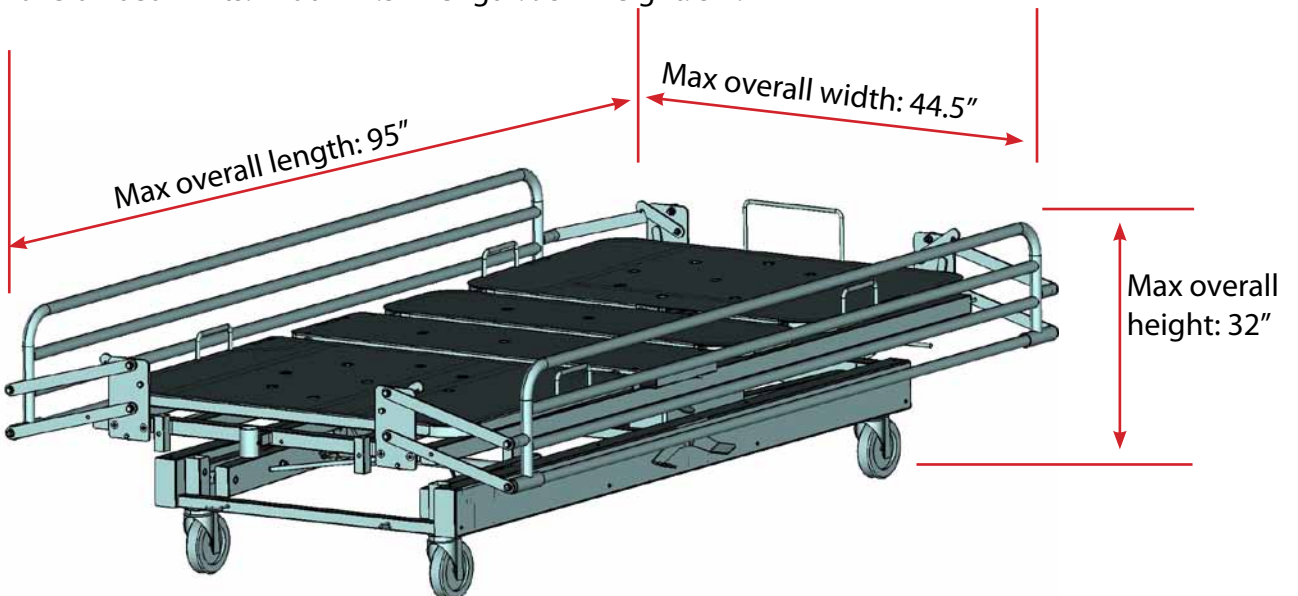
Standard capacity Bedlift maximum load limit: 600lbs/platform.

Maximum overall bed limits: width 44.5" - length: 95" - height: 26".



Extra capacity Bedlift maximum load limit: 900lbs/platform.

Maximum overall bed limits: width 44.5" - length: 95" - height: 32".



Additional specifications:

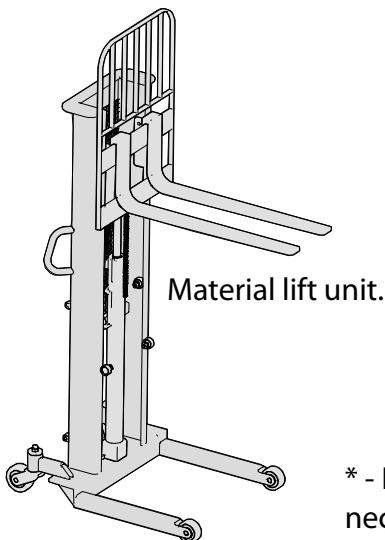
Noise emissions: less than 70dB. Maximum altitude: 1000m. Temperature range: -10C to +40C.

Humidity: 5 - 95 % without dripping water conforming to IEC 60068-2-3

5 - 95 % without condensation conforming to IEC 60068-2-3

TOOL LIST

Tool	Size(s), and additional notes	
Combo Wrenches	7mm, 17mm, 7/16", 9/16", 5/8", 11/16", 3/4", 15/16".	
Sockets	7mm, 17mm, 7/16", 9/16", 5/8", 11/16", 3/4", 15/16".	
T-handle allen wrenches.....	3mm, 5/32", 3/16".	
Taps (threading tool) + handle	1/4", 3/8".	
Punch.....	1/4".	
Bubble level.	Wire strippers.	Shop vacuum.
Drift/alignment tool.	Pliers.	2 carts (4 swivel wheels).
Hammer.	Pry bar.	Tin snips.
Screw drivers.....	1/8" flat, #1 Robertson, #2 Robertson, #3 Robertson, #2 Phillips.	
1/4" Impact driver.....	with #3 Robertson driver bit, and socket adapter.	
Drill	with 3/16", 1/4", 5/16", 3/8", 1/2" bits.	
1/2" Impact	with sockets to fit.	
Hammer drill	5/8" x 12" (minimum) bit	
Extension cord.....	50ft.	
2 Step ladders.....	6ft. (for Bedlift2, Bedlift3 installation). 10ft (for Bedlift4, Bedlift5 installation).	
Ratchet strap.....	8ft (for Bedlift4, Bedlift5 installation).	
Fork lift truck or Material lift*	Load Capacity = 425 lbs (193 kg) Working Height = 155" (12ft 11in/3937mm) (for Bedlift4, Bedlift5 installation).	



* - If a fork lift truck is unable to access the installation area, a material lift unit is necessary.

PREPARATION

Electrical Specifications

Machine Power Requirements: Please see machine label for electric power requirements.

FEATURES:

This machine is equipped with a Master Switch. This switch is highly visible and easy to reach. It shuts off all power to the machine. Ensure the Master Switch is in the OFF position before working on the machine, to prevent accidental operation of the machine.

NOTE:

All relays and transformers are located in the electrical box behind the control panel. These can be accessed by removing the screws that secure the control panel cover to the box. Ensure the Master Switch is in the OFF position before removing the control panel.

CAUTION:

If the motors start to overload and stop during the operation of the machine remove pressure from the Push Button. Do not try to force the machine. Do not continue to activate and deactivate an overloaded motor. This will cause excessive wear and motor overheating. Correct the load conditions on the machine before trying again.

ATTENTION:

The machine should have a dedicated circuit.

Grounding Instructions

This product must be grounded. If it should malfunction or break down, grounding provides a path of least resistance for electric current to reduce the risk of electric shock. This product is equipped with a cord having an equipment-grounding conductor and a grounding plug. The plug must be plugged into an appropriate outlet that is properly installed and grounded in accordance with all local codes and ordinances.

DANGER – Improper connection of the equipment-grounding conductor can result in a risk of electric shock. Check with a qualified electrician or service person if you are in doubt as to whether the product is properly grounded.

Do not modify the plug provided with the product. If it will not fit the outlet, have a proper outlet installed by a qualified electrician or service person.

This product must be connected to a grounded metal, permanent wiring system, or an equipment-grounding conductor must be run with the circuit conductors and connected to the equipment-grounding terminal or lead on the product.

PREPARATION

Building Requirements

The machine must be bolted to the floor before it is loaded. It is the responsibility of the building owner to ensure the building structure is adequate for the machine installation.

Electrical - please see machine label for electric power requirements. A dedicated power line and circuit breaker using machine suitable conductor wire connections and ampere rating is recommended. The machine has been designed to be hardwired to this electrical service. Once installed, an electrician must be available to hardwire the service to the junction box provided at the top of the machine. (Bottom junction boxes for floor wiring are available by special order at time of order placement.)

Installation Requirements

Vidir provides the installation equipment. This installation equipment requires a local electrical circuit at the machine installation site. Your electrician may need to run a temporary service line before the installers arrive. Installer waiting time will be billed at the going rate.

A forklift and operator should be available to unload the machine from the truck and deliver the components to the installation site as required by the installers. Additional forklift time may be required during machine setup.

Installers require a floor plan of the area with the installation location for each machine model clearly marked.

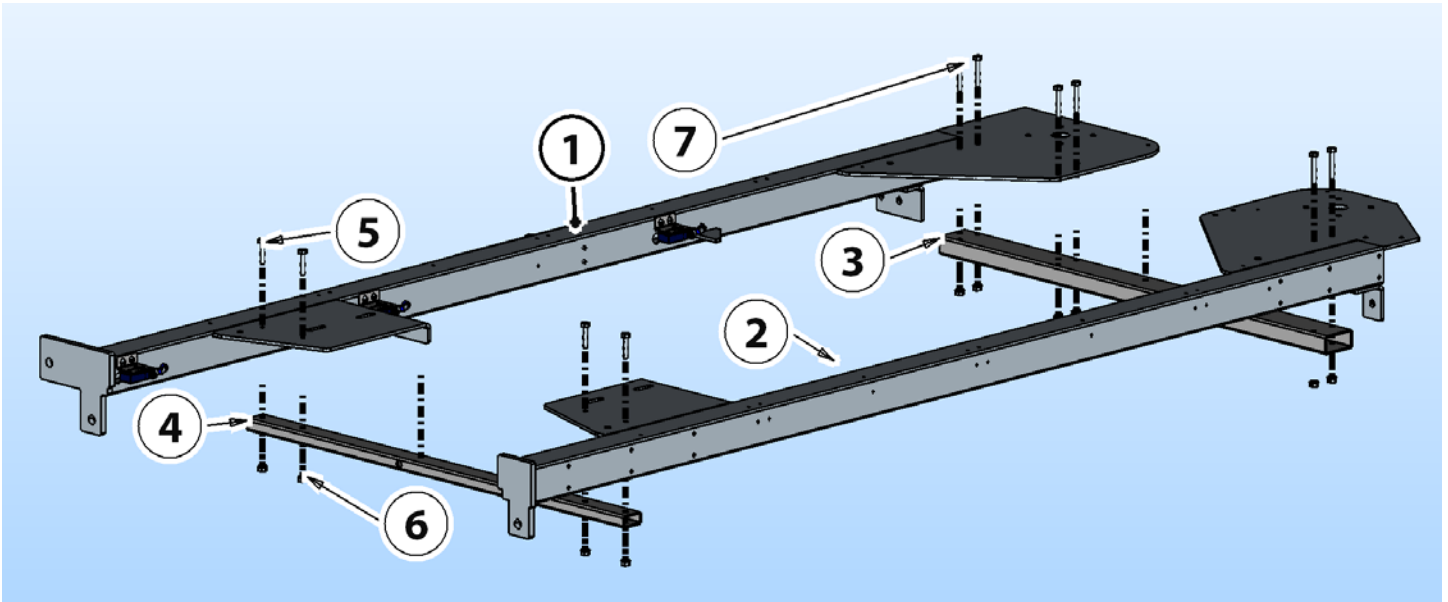
A sign-off sheet has been provided for the Store Manager to indicate approval of the placement of the installed machine. Once completed, our installers are available to bolt down the machine under the manager's supervision.

An electrician must be scheduled to connect electrical service to all machines upon completion of installation. The installation crew will then test run the carousels and do a final check.

COMPONENTS

Front & Rear Right Main Tubes

Place front and rear right side main tubes on the ground. Install right side crossbraces.



Key	Description	Item_no
1	Asm, hbl 330-96s frnt rt tube	5-76687
2	Asm, hbl 330-96s back rt tube	5-76691
3	Tube, hbl sl top rt side brc	5-75270
4	Tube, hbl sl btm side support	5-75271
5	3/8 X 1 3/4 hex bolt gr5 unc	001-0117
6	3/8 Flange nut gr5 unc	004-0015
7	3/8 X 2 1/4 hex bolt gr5 unc	001-0257

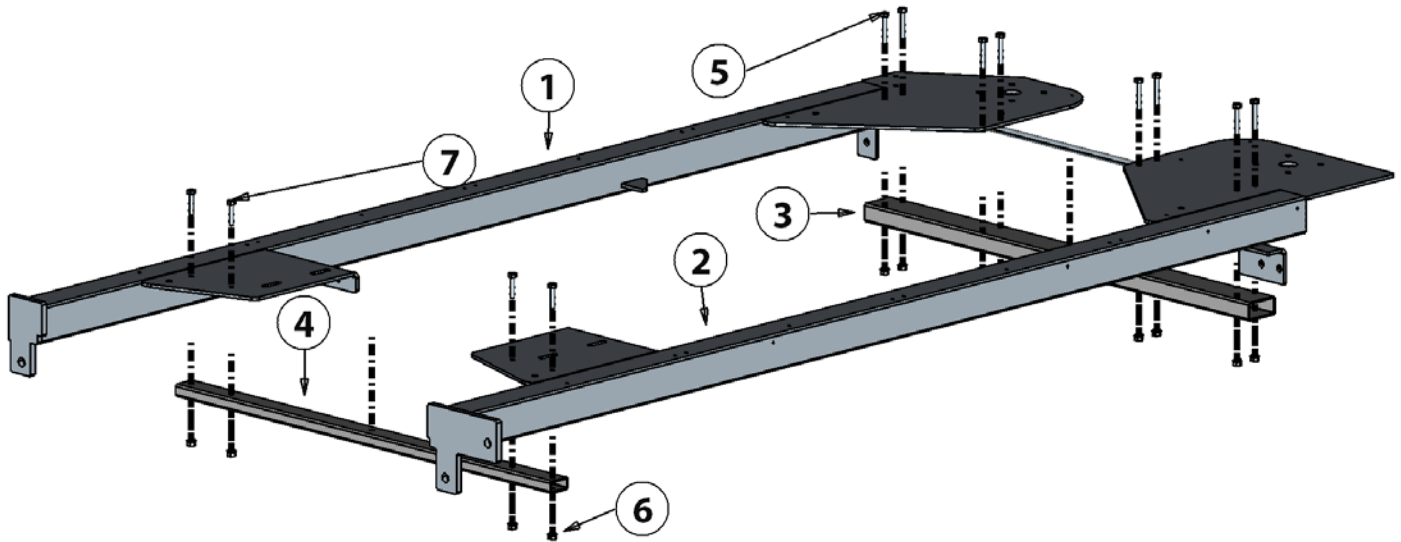
For ST327-96S Components:

Key	Description	Item_no
1	Asm, hbl sl 3bed frnt rt tube	5-76231
2	Asm, hbl sl 3bed back rt tube	5-76234
3	Tube, hbl sl top rt side brc	5-75270
4	Tube, hbl sl btm side support	5-75271
5	3/8 X 1 3/4 hex bolt gr5 unc	001-0117
6	3/8 Flange nut gr5 unc	004-0015
7	3/8 X 2 1/4 hex bolt gr5 unc	001-0257

COMPONENTS

Front & Rear Left Main Tubes

Place front and rear left side main tubes on the ground. Install left side crossbraces.



Key	Description	Item_no
1	Weld, hbl 330-96s main tube bck lft	5-76696
2	Weld, hbl 330-96s main tb frnt lt	5-76693
3	Tube, hbl sl top lt side brc	5-75269
4	Tube, hbl sl btm side support	5-75271
5	3/8 X 2 1/4 hex bolt gr5 unc	001-0257
6	3/8 Flange nut gr5 unc	004-0015
7	3/8 X 1 3/4 hex bolt gr5 unc	001-0117

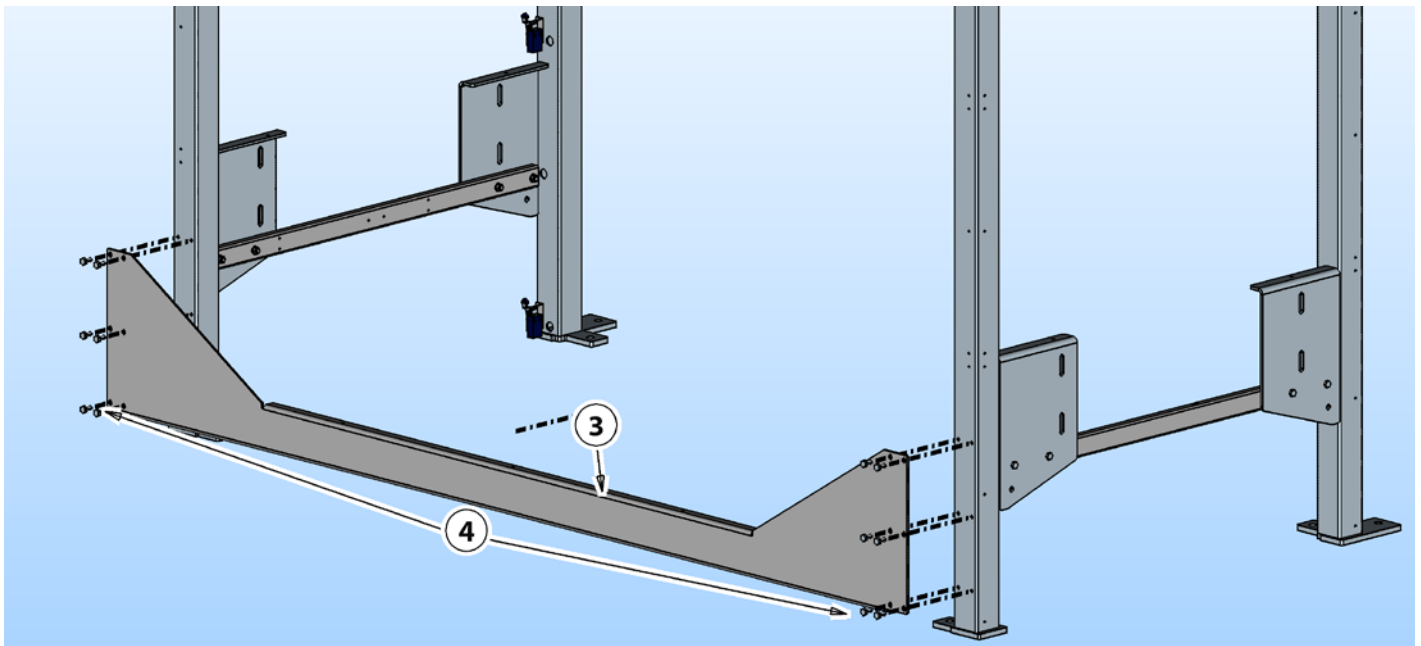
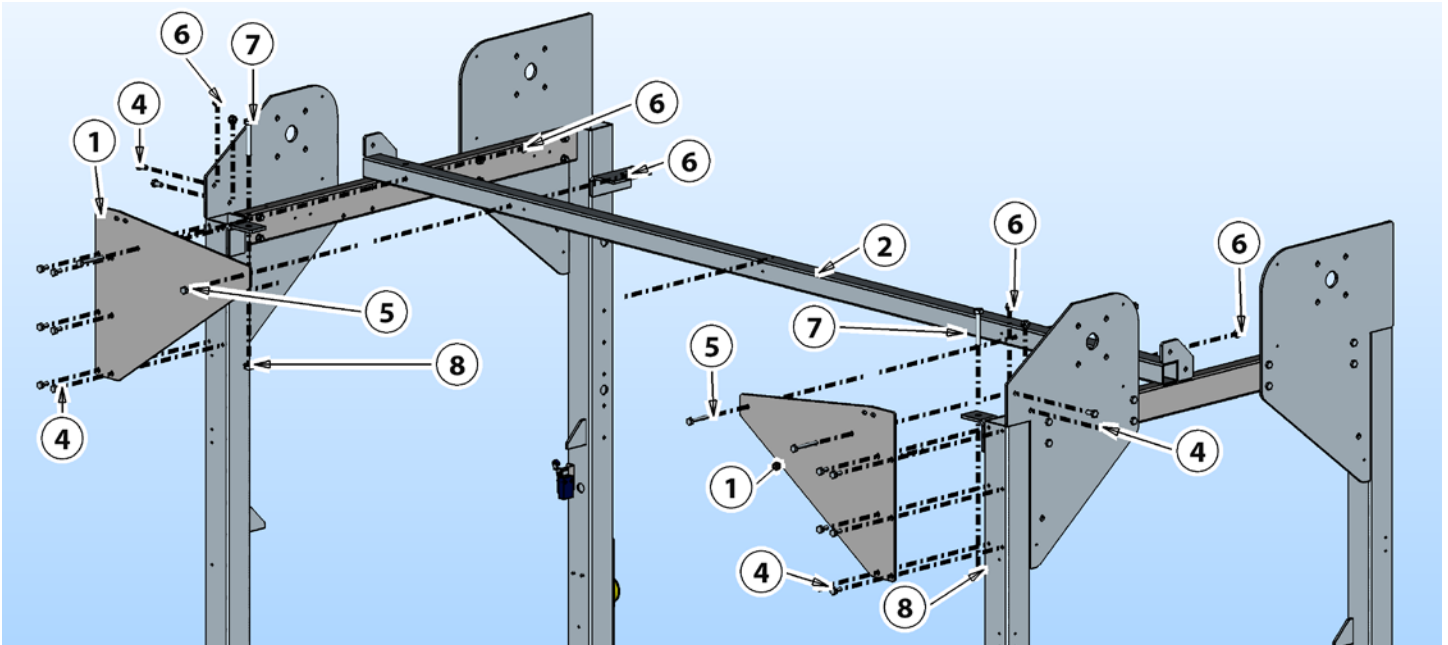
For ST327-96S Components:

Key	Description	Item_no
1	Weld, hbl sl main tube 3b bck lft	5-76265
2	Weld, hbl sl main tube 3b frnt lt	5-76260
3	Tube, hbl sl top lt side brc	5-75269
4	Tube, hbl sl btm side support	5-75271
5	3/8 X 2 1/4 hex bolt gr5 unc	001-0257
6	3/8 Flange nut gr5 unc	004-0015
7	3/8 X 1 3/4 hex bolt gr5 unc	001-0117

COMPONENTS

All Rear Braces & Corner Plates

Lift right side, and left side main tube assemblies. Install all rear braces, and corner plates.



Component list on next page.

COMPONENTS

All Rear Braces & Corner Plates

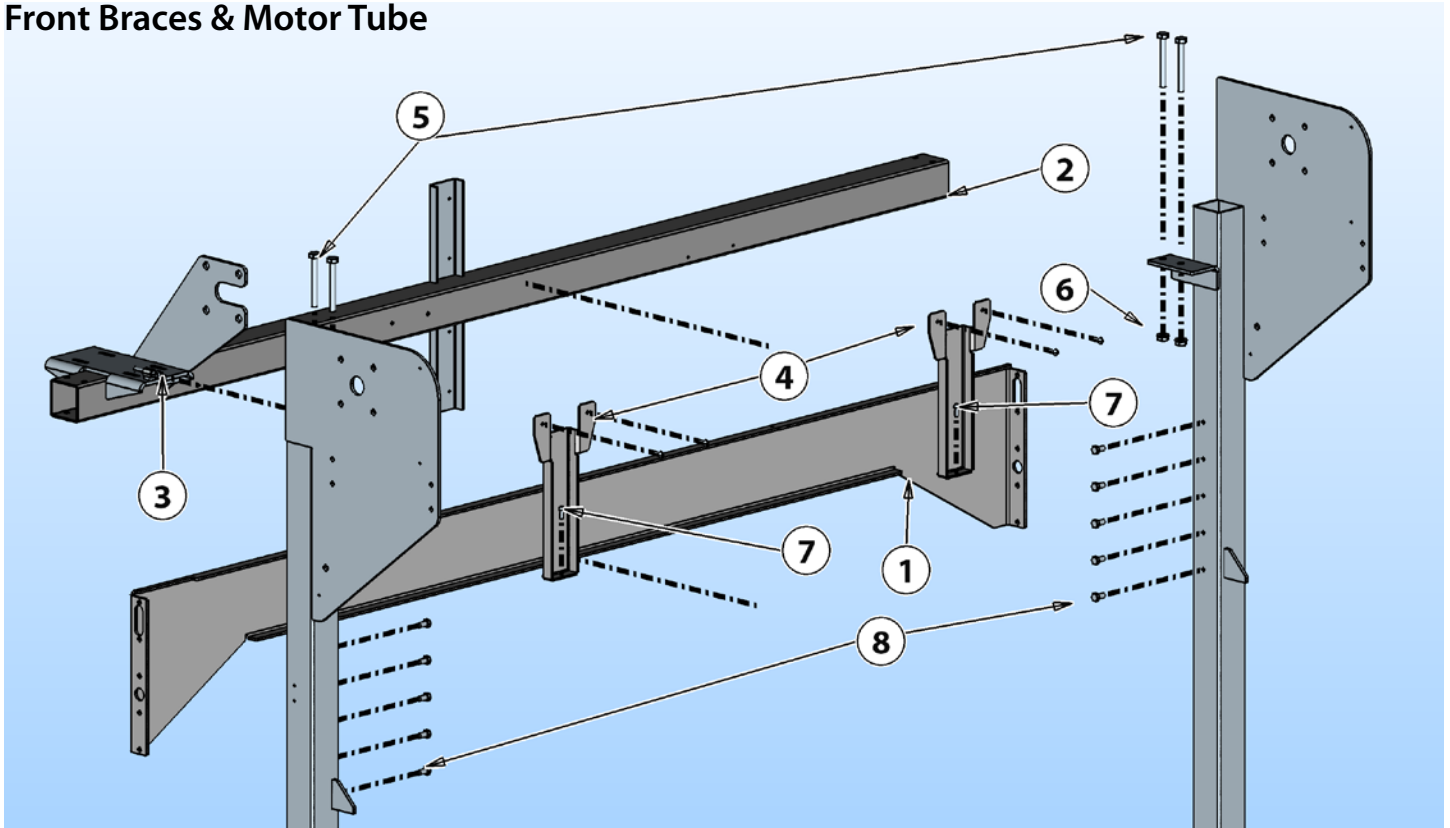
Key	Description	Item_no
1	Plate, hbl bck crnr tube weld	5-68910
2	Weld, hbl sl top crss chn drv bck	5-75281
3	Plate, hbl sl back btm brace	5-76226
4	3/8 X 3/4 hex bolt gr5 unc	001-0113
5	3/8 X 2 3/4 hex bolt gr5 unc	001-0121
6	3/8 Flange nut gr5 unc	004-0015
7	1/2 X 3 hex bolt gr5 unc	001-0150
8	Nut flange 1/2 gr5 unc	004-0017

For ST327-96S Components:

Key	Description	Item_no
1	Plate, hbl bck crnr tube weld	5-68910
2	Weld, hbl sl top crss chn drv bck	5-75281
3	Plate, hbl sl back btm brace	5-76226
4	3/8 X 3/4 hex bolt gr5 unc	001-0113
5	3/8 X 2 3/4 hex bolt gr5 unc	001-0121
6	3/8 Flange nut gr5 unc	004-0015
7	1/2 X 3 hex bolt gr5 unc	001-0150
8	Nut flange 1/2 gr5 unc	004-0017

COMPONENTS

Front Braces & Motor Tube



Key	Description	Item_no
1	Plate, hbl sl frnt inset brc one pc	5-76108
2	Weld, hbl sl top #80 gbox mnt cface	5-75275
3	3/8 X 2 1/2 hex bolt full thrd	001-0229
4	Channel, hbl 330-96s upright bed grd	5-76808
5	1/2 X 4 hex bolt gr5 unc	001-0152
6	Nut flange 1/2 gr5 unc	004-0017
7	Screw combi 1/4 x 3/4 truss head 9/16 dia	002-0120
8	3/8 X 3/4 hex bolt gr5 unc	001-0113

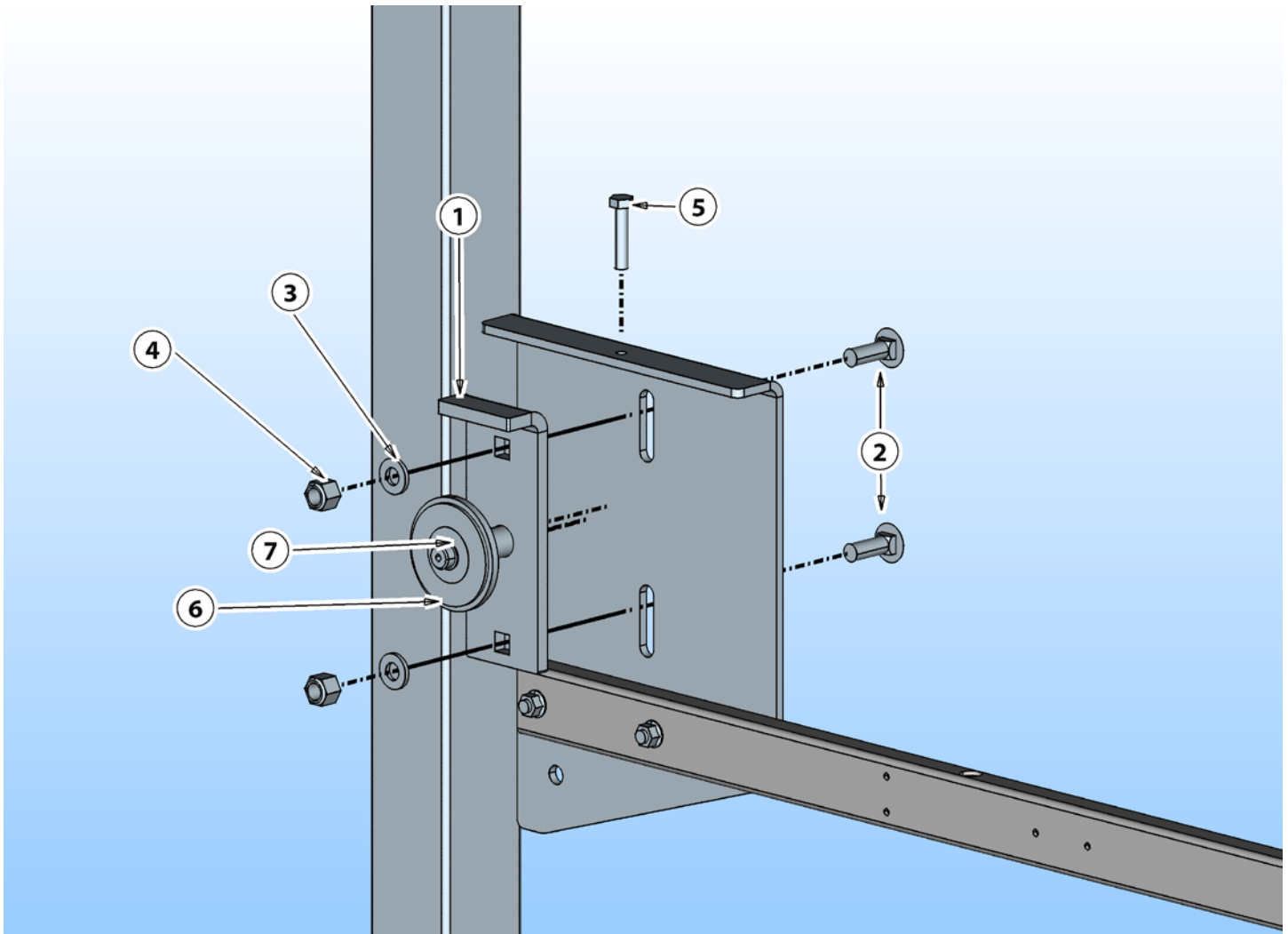
For ST327-96S Components:

Key	Description	Item_no
1	Plate, hbl sl frnt inset brc one pc	5-76108
2	Weld, hbl sl top #80 gbox mnt cface	5-75275
3	3/8 X 2 1/2 hex bolt full thrd	001-0229
4	Not used on this model	
5	1/2 X 4 hex bolt gr5 unc	001-0152
6	Nut flange 1/2 gr5 unc	004-0017
7	Not used on this model	
8	3/8 X 3/4 hex bolt gr5 unc	001-0113

COMPONENTS

Load Chain Tensioners

Install load chain tensioners to all 4 corners of the Bedlift.

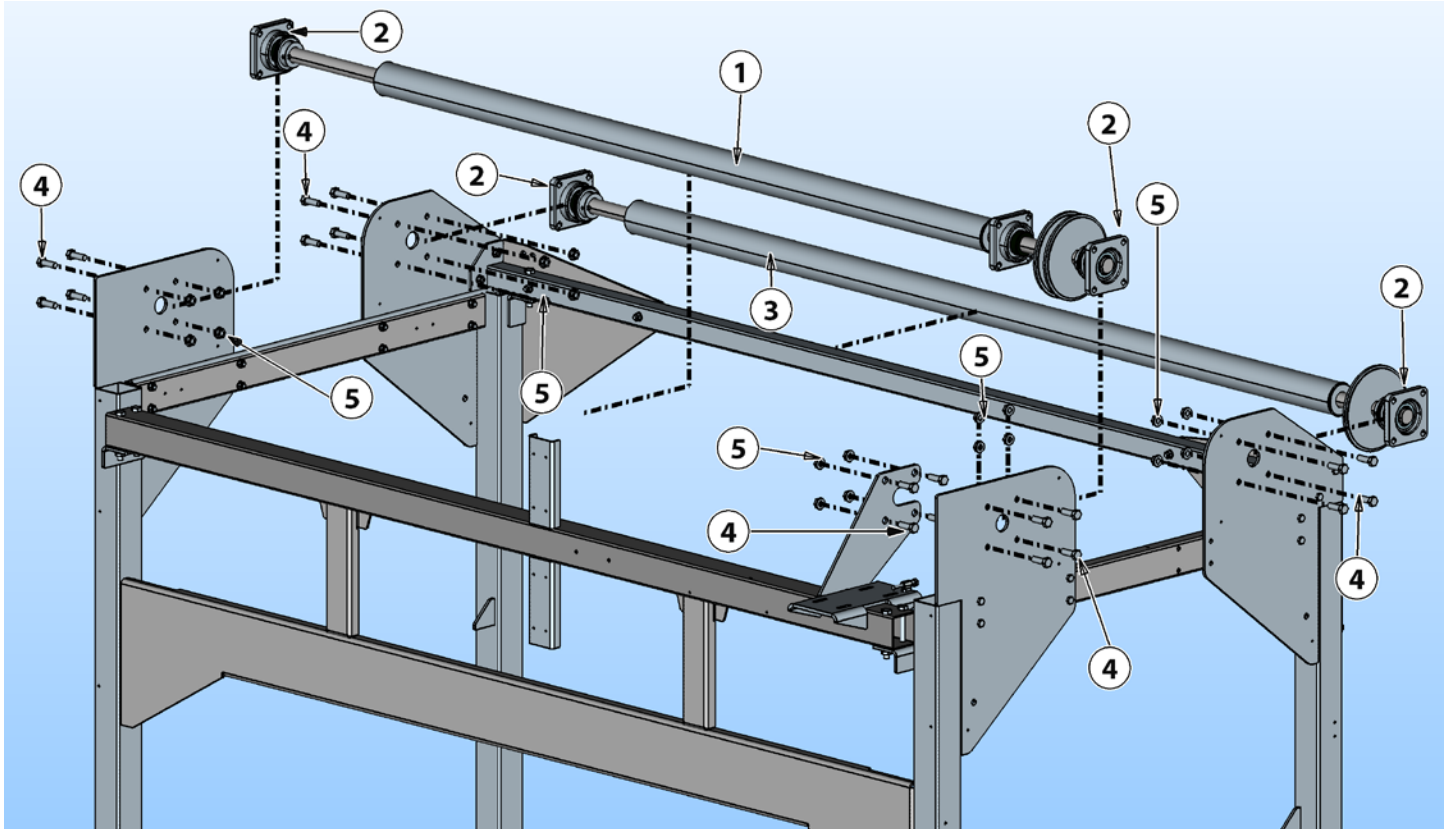


Key	Description	Item_no
1	Tightener, hbl btm cnr sprckt slider	5-69030
2	1/2 X 1 1/2 crg bolt f.T. Gr5 unc	001-0069
3	Washer 1/2x7/8x1/8	003-0017
4	1/2 Nylon lock nut gr5 unc	004-0046
5	3/8 X 13/4 hex bolt full thread gr5 unc	001-0083
6	Sprocket idler h40a18	120-0039
7	Ring snap ext 5/8"	116-0031

Load Chain Tensioner components are identical between ST330-965, and ST327-965

COMPONENTS

Front & Rear Drive Shafts



Key	Description	Item_no
1	Asm, hbl sl front shaft	5-75291
2	207-106 Flange 4bolt asm	006-0038
3	Asm, hbl sl back shaft	5-75298
4	Bolt hex 1/2x1-1/2 gr5 unc	001-0146
5	Nut flange 1/2 gr5 unc	004-0017

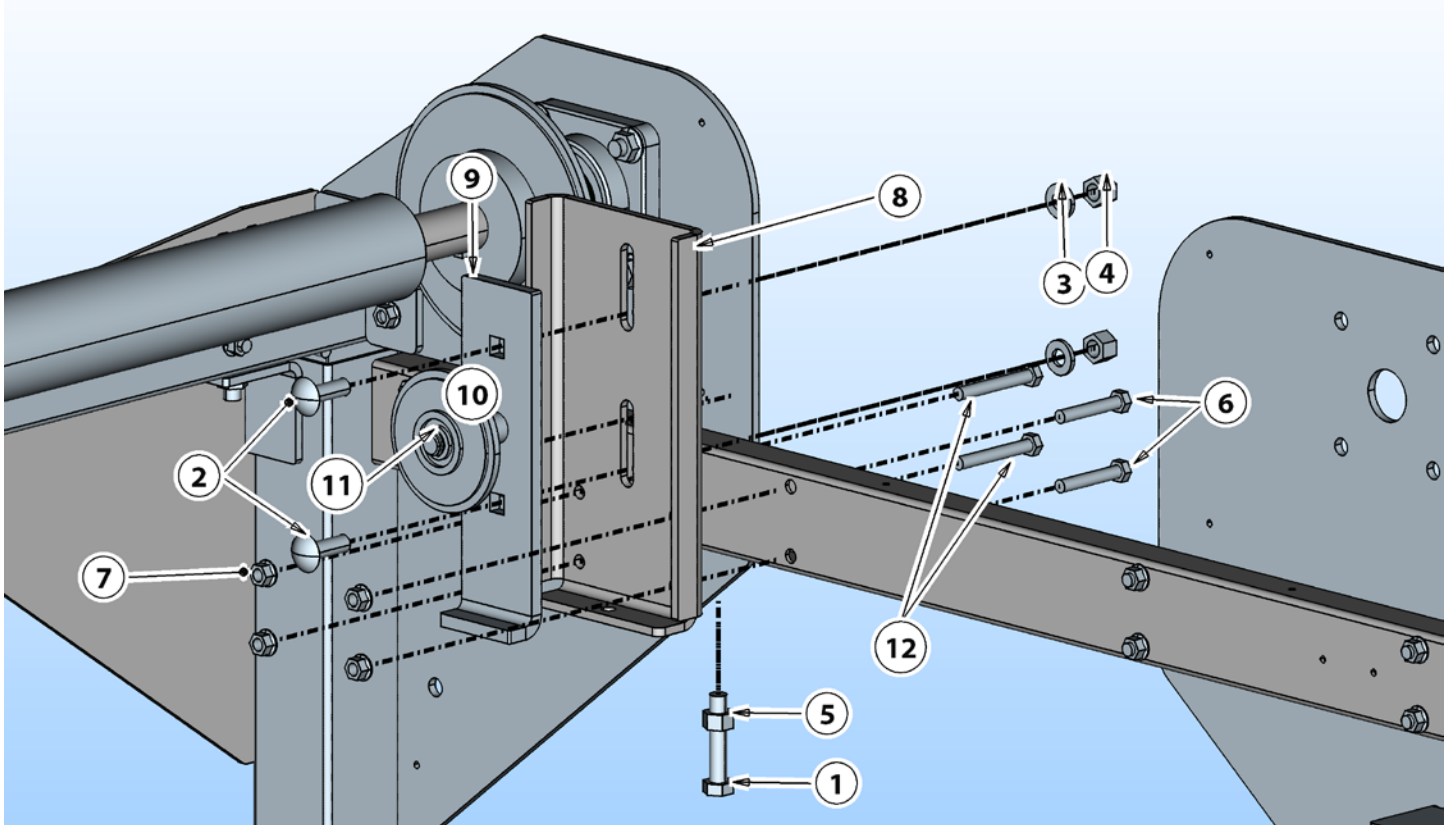
Front & rear drive shafts, and components are identical between ST330-96S, and ST327-96S

Tighten all bolts on bottom, mid, and top braces.

Centre both Drive Shafts, lock drive shaft bearing locking collars, and tighten set screws.

COMPONENTS

Front-to-Back Chain Tensioner

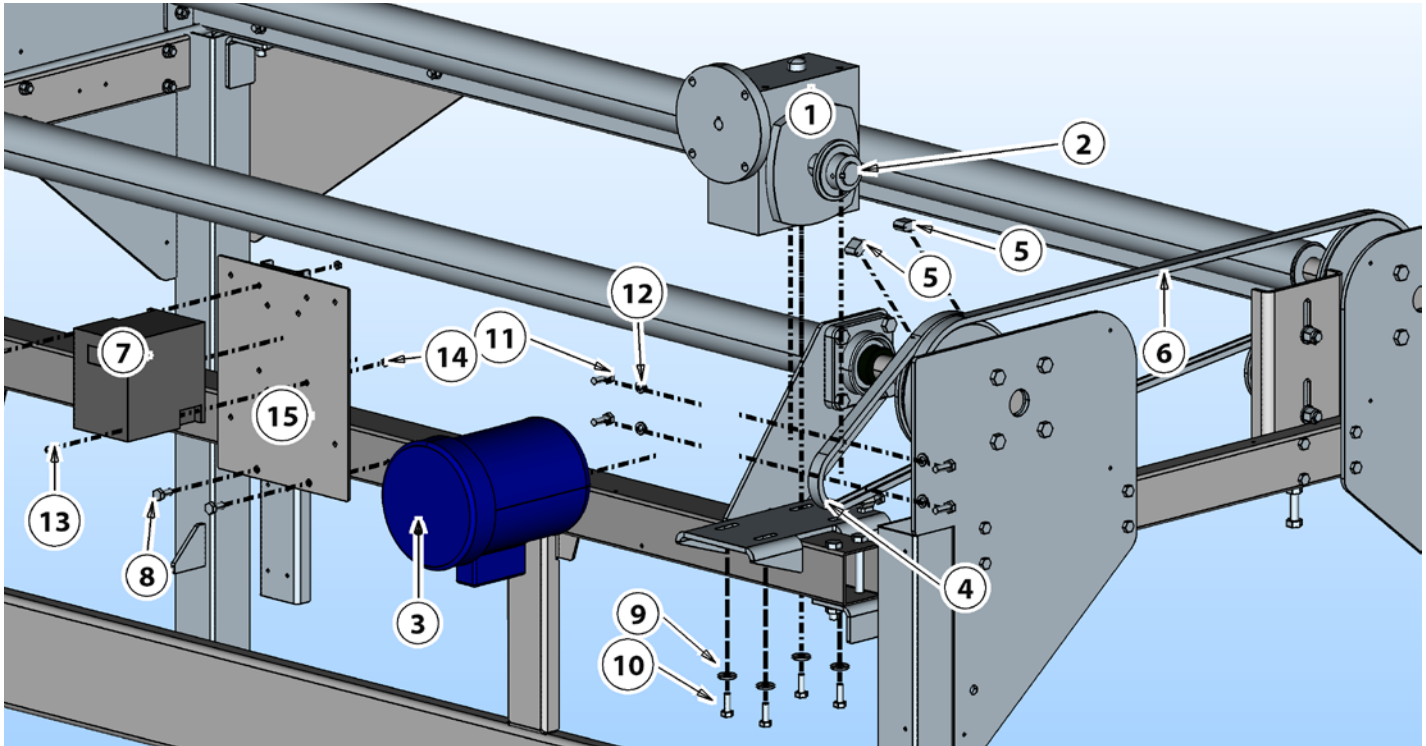


Key	Description	Item_no
1	Bolt hex 1/2 x 2 1/2 full thread	001-0413
2	1/2 X 1 1/2 crg bolt f.T. Gr5 unc	001-0069
3	Washer 1/2x7/8x1/8	003-0017
4	1/2 Nylon lock nut gr5 unc	004-0046
5	Nut hex 1/2 gr5 unc	004-0025
6	3/8 X 2 1/4 hex bolt gr5 unc	001-0257
7	3/8 Flange nut gr5 unc	004-0015
8	Plate, hbl frnt to bck chn drv tghtr	5-69021
9	Tightener, hbl frnt bck sprckt sldr 7/8	5-71662
10	Sprocket idler 60b15x5/8 snap ring	120-0201
11	Ring snap ext 5/8"	116-0031
12	3/8 X 2 3/4 hex bolt gr5 unc	001-0121

Drive chain tensioner components are identical between ST330-96S, and ST327-96S

COMPONENTS

Drive System

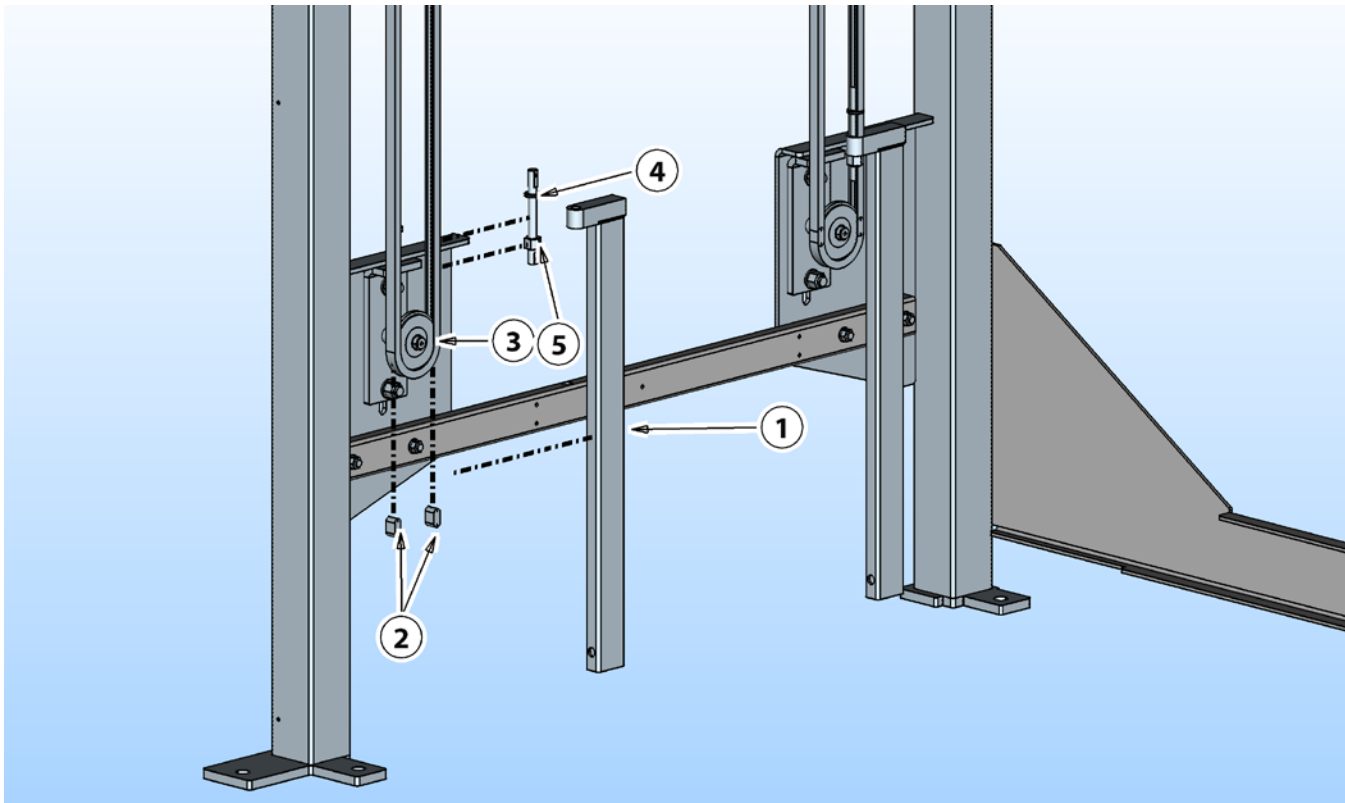


Key	Description	Item_no
1	Gearbox #80r60 c-face	107-0046
2	60-12-B-hub 1-1/4 bore	120-0197
3	Motor 1.5Hp 3ph 60hz 208-230/460v 56c	407-0038
4	Chain, hbl drive #60 chn drv cface	5-69995
5	#60 Chain connector link	105-0037
6	Chain, hbl sl frnt to bck #60 chn drv	5-75299
7	2 Hp variable frequency drive	403-0016
8	3/8 X 3/4 hex bolt gr5 unc	001-0113
9	Washer 7/16	003-0041
10	Bolt m10x25mm	001-0414
11	3/8 X 1 hex bolt gr5 unc	001-0114
12	Spring washer 3/8	003-0096
13	Screw pan head 10-24 x 1/2	002-0066
14	Nut hex 10-24 gr5 unc	004-0097
15	Plate, hbl 3bed ebox mount	5-70786

Drive system components are identical between ST330-96S, and ST327-96S

COMPONENTS

Load Chain & Connector Tubes



Key	Description	Item_no
1	Weld, hbl top pltfm cnnctr tube	5-70285
2	#40 Chain connector link	105-0035
3	Chain, hbl 330-96s #40	5-76709
4	Weld, hbl pltfm chn cnnct rod	5-70029
5	1/2 Nylon lock nut gr5 unc	004-0046

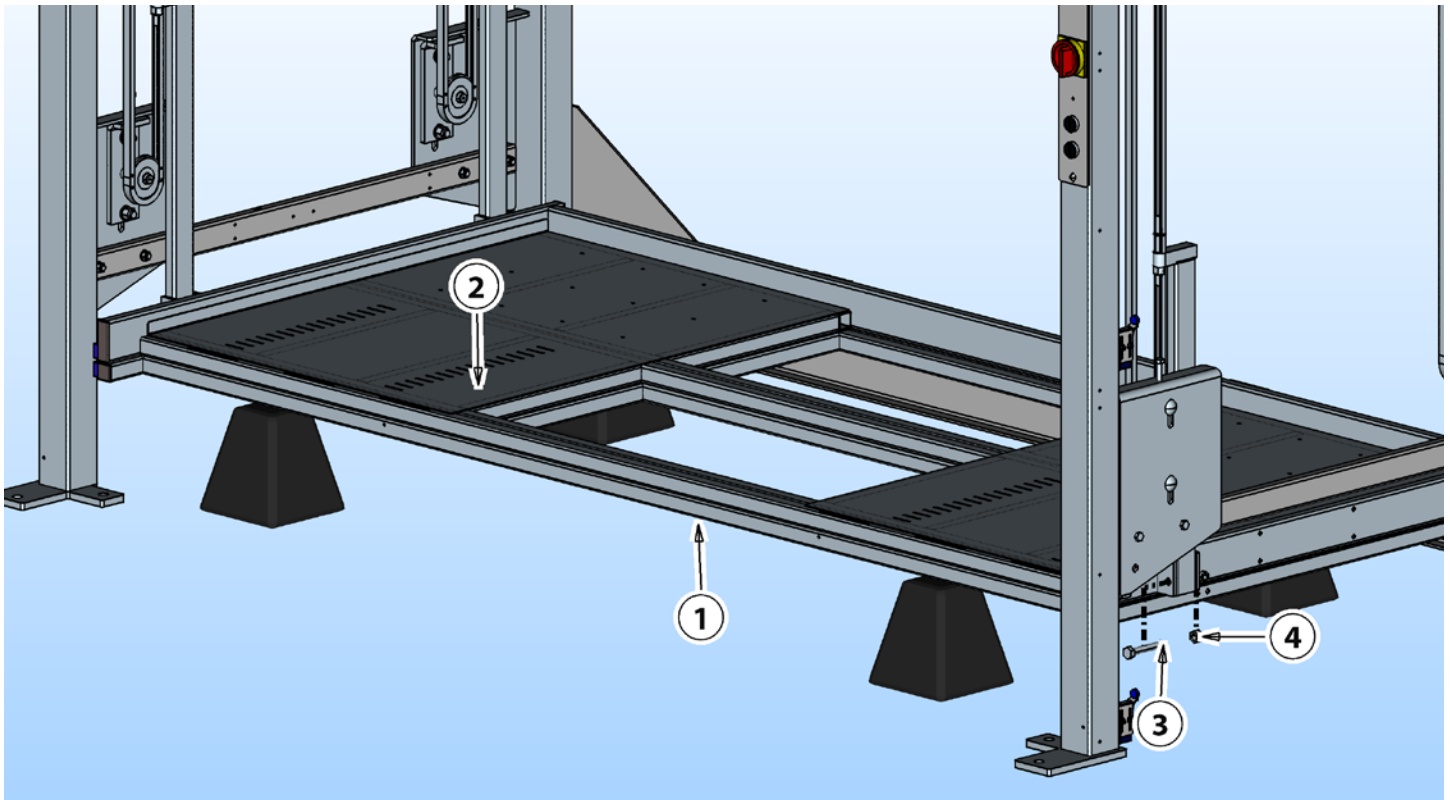
For ST327-96S Components:

Key	Description	Item_no
1	Weld, hbl top pltfm cnnctr tube	5-70285
2	#40 Chain connector link	105-0035
3	Chain, hbl 3bed sl load #40	5-76267
4	Weld, hbl pltfm chn cnnct rod	5-70029
5	1/2 Nylon lock nut gr5 unc	004-0046

COMPONENTS

Platforms & Connector Tubes

Place riser block inside Bedlift working area. Place platforms on riser blocks. Connect top platform(2) to load chain connector tube.

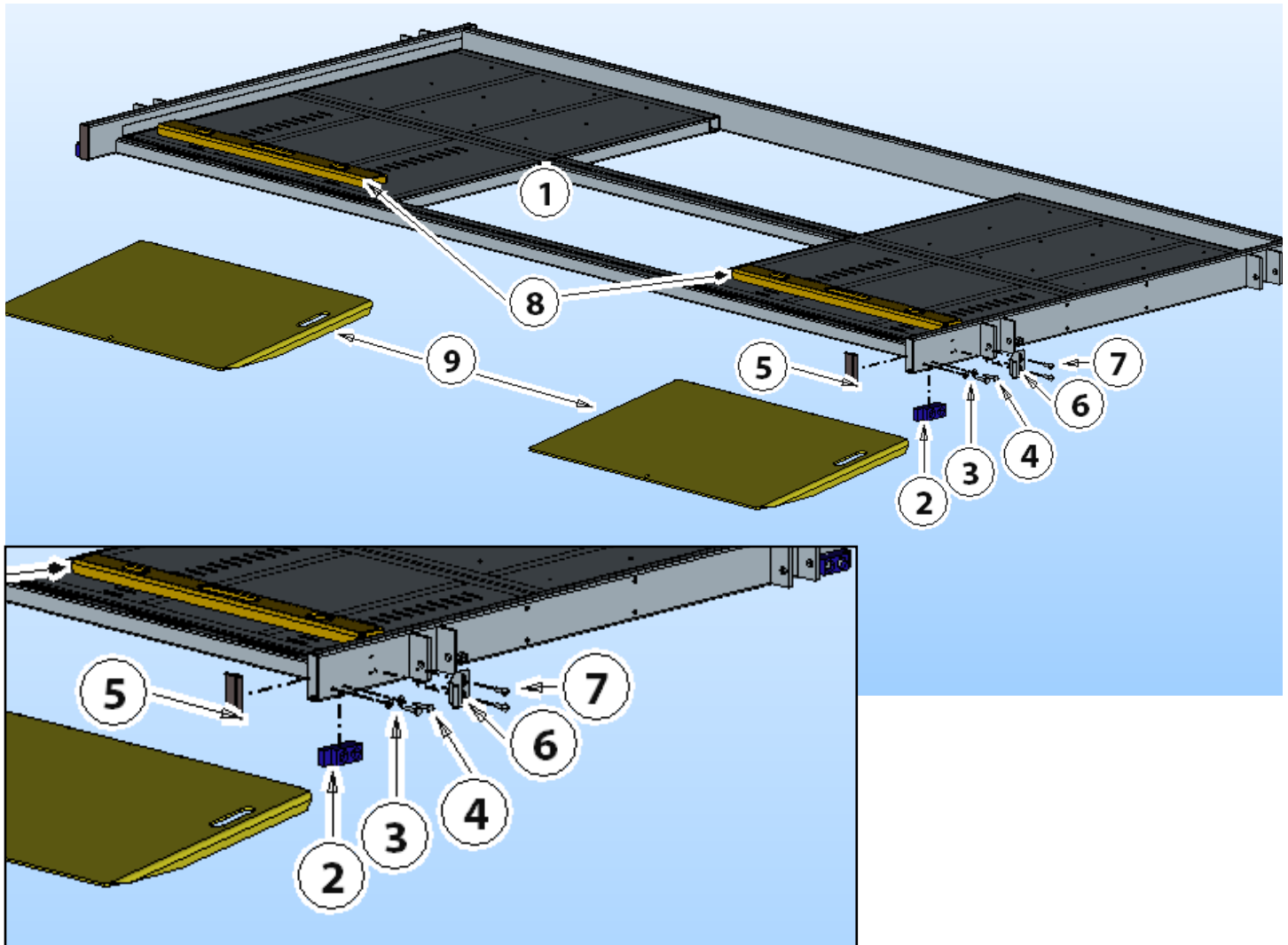


Key	Description	Item_no
1	Platform, hbl sl lev1 asm	5-76185
2	Platform, hbl sl 3b top asm	5-76277
3	1/2 X 3 hex bolt gr5 unc	001-0150
4	1/2 Steel lock nut	004-0103

Platforms, and connector tube components are identical between ST330-96S, and ST327-96S

COMPONENTS

Top Platform

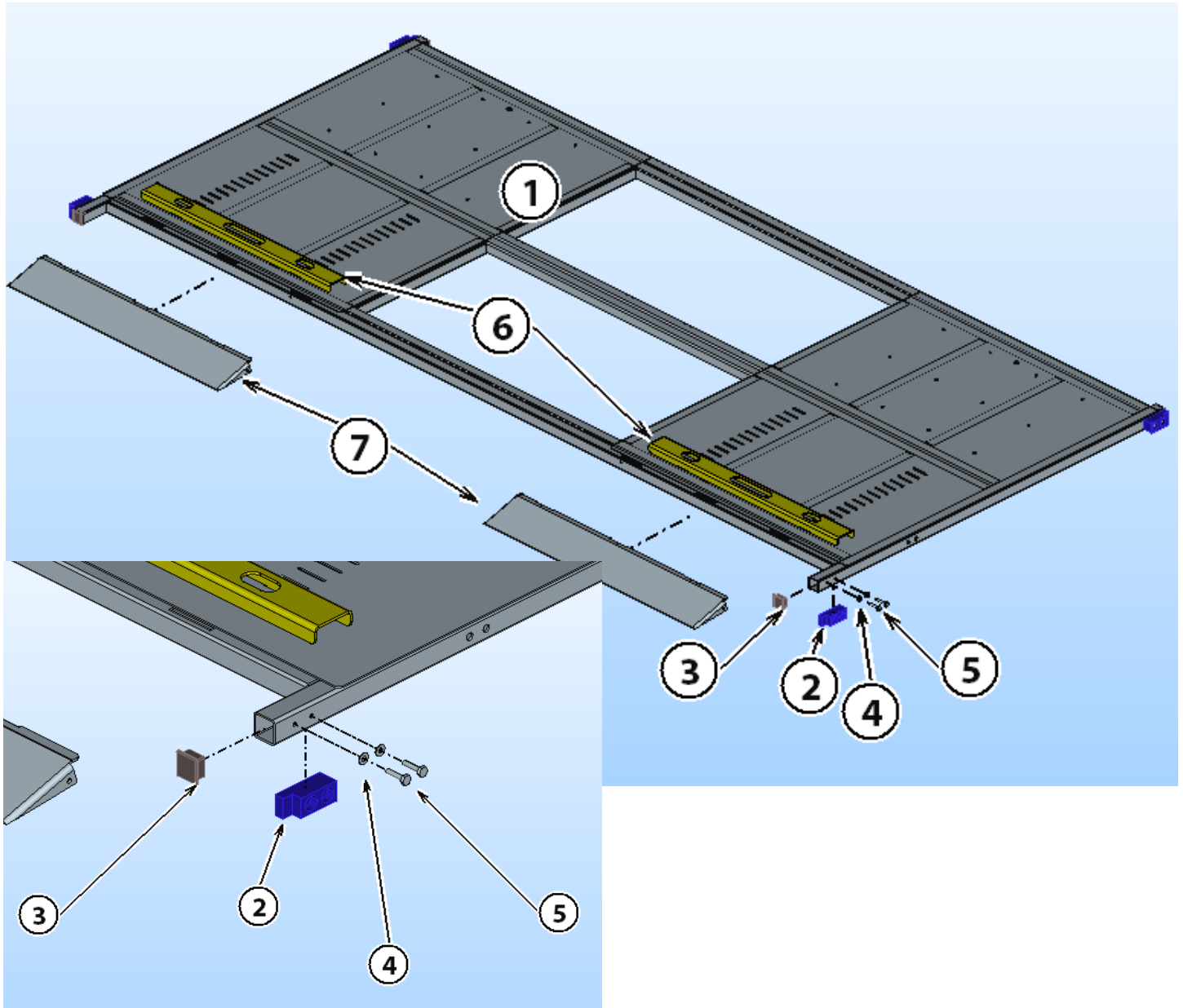


Platform components are identical between ST330-96S, and ST327-96S

Key	Description	Item_no
1	Platform, hbl sl welded top 3bed	5-76276
2	Plastic, hbl lite pltfm glide block	5-68982
3	Wshr flat 1/4	003-0114
4	1/4 X 1 hex bolt gr5 unc	001-0087
5	Plastic plug 1" x 3"	206-0036
6	Actuator, hbl elec switch tab wide	5-69596
7	Screw combi 1/4 x 3/4 truss head 9/16 dia	002-0120
8	Stop, hbl sl wheel stop inverted	5-75352
9	Ramp, hbl front lip mount sl	5-75710

COMPONENTS

Top Platform



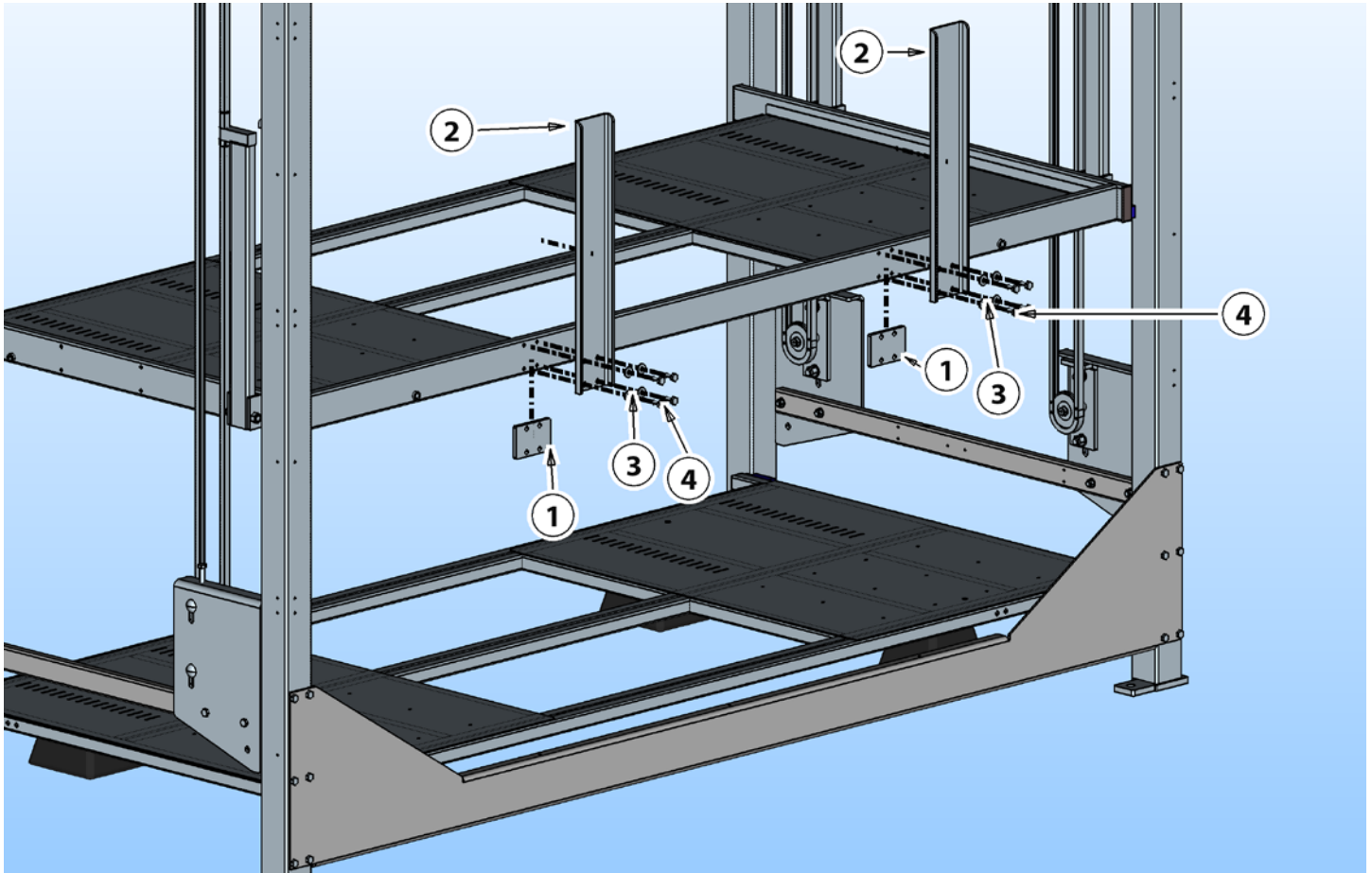
Platform components are identical between ST330-96S, and ST327-96S

Key	Description	Item_no
1	Weld, hbl sl hd pltfm lev 1	5-75738
2	Plastic, hbl lite pltfm glide block	5-68982
3	Plastic plug square 10-14g 1-1/4 x 1-1/4	206-1022
4	Wshr flat 1/4	003-0114
5	1/4 X 1 hex bolt gr5 unc	001-0087
6	Stop, hbl sl wheel stop inverted	5-75352
7	Ramp, hbl sl removable mini	5-75318

COMPONENTS

Top Platform Vertical Backstops

Raise top platform assembly, and install backstops.



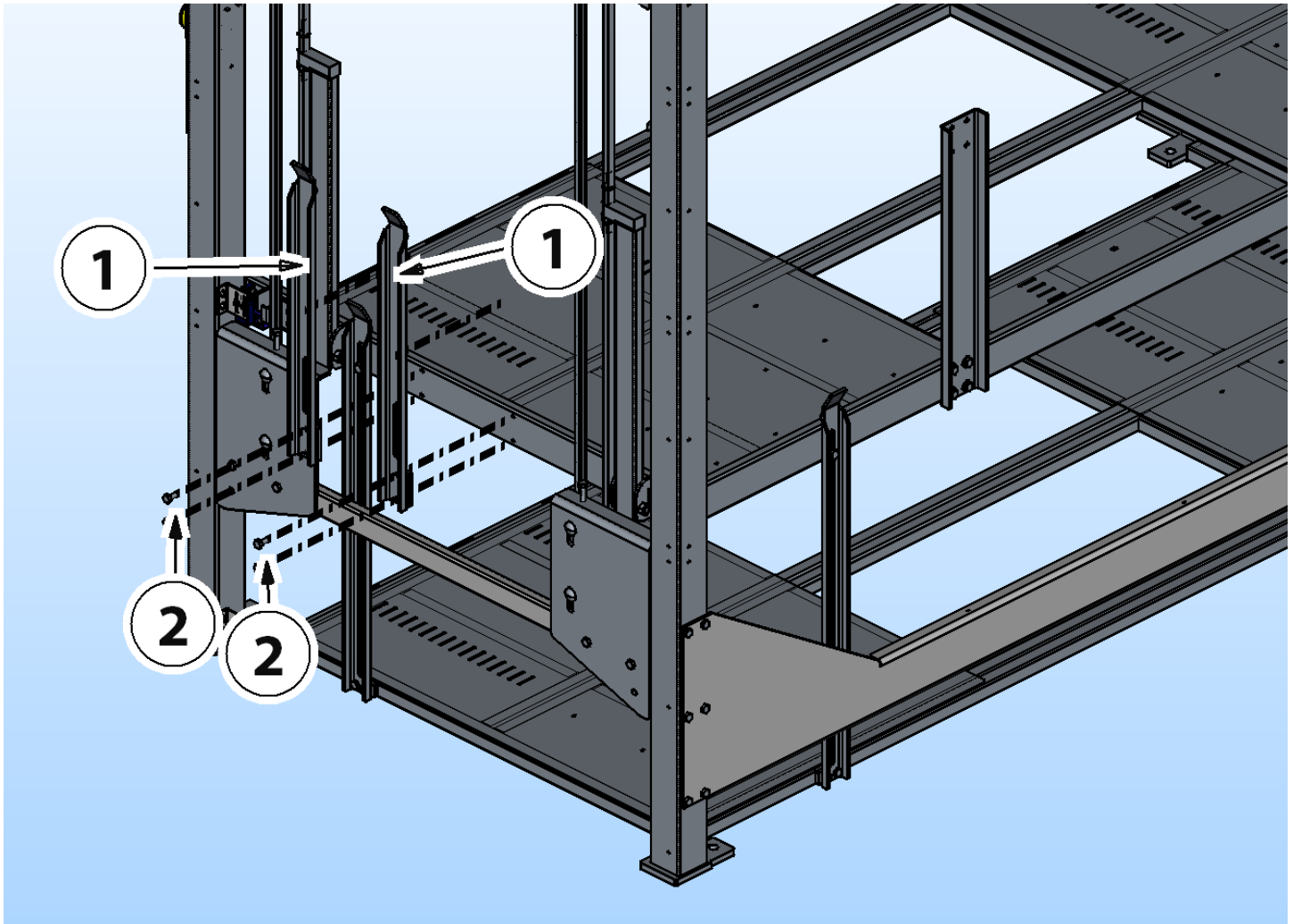
Key	Description	Item_no
1	Plate, sl backstop spacer	5-77050
2	Channel, hbl sl top pltrm bckstp	5-75739
3	Washer sae 3/8 (.406X.813X.080)	003-0008
4	3/8 X 3/4 hex bolt gr5 unc	001-0113

For ST327-96S Components:

Key	Description	Item_no
1	Not used on this model	
2	Channel, hbl sl top pltrm bckstp	5-75739
3	Washer sae 3/8 (.406X.813X.080)	003-0008
4	3/8 X 3/4 hex bolt gr5 unc	001-0113

COMPONENTS

Top Platform Vertical Guards for ST327-96S



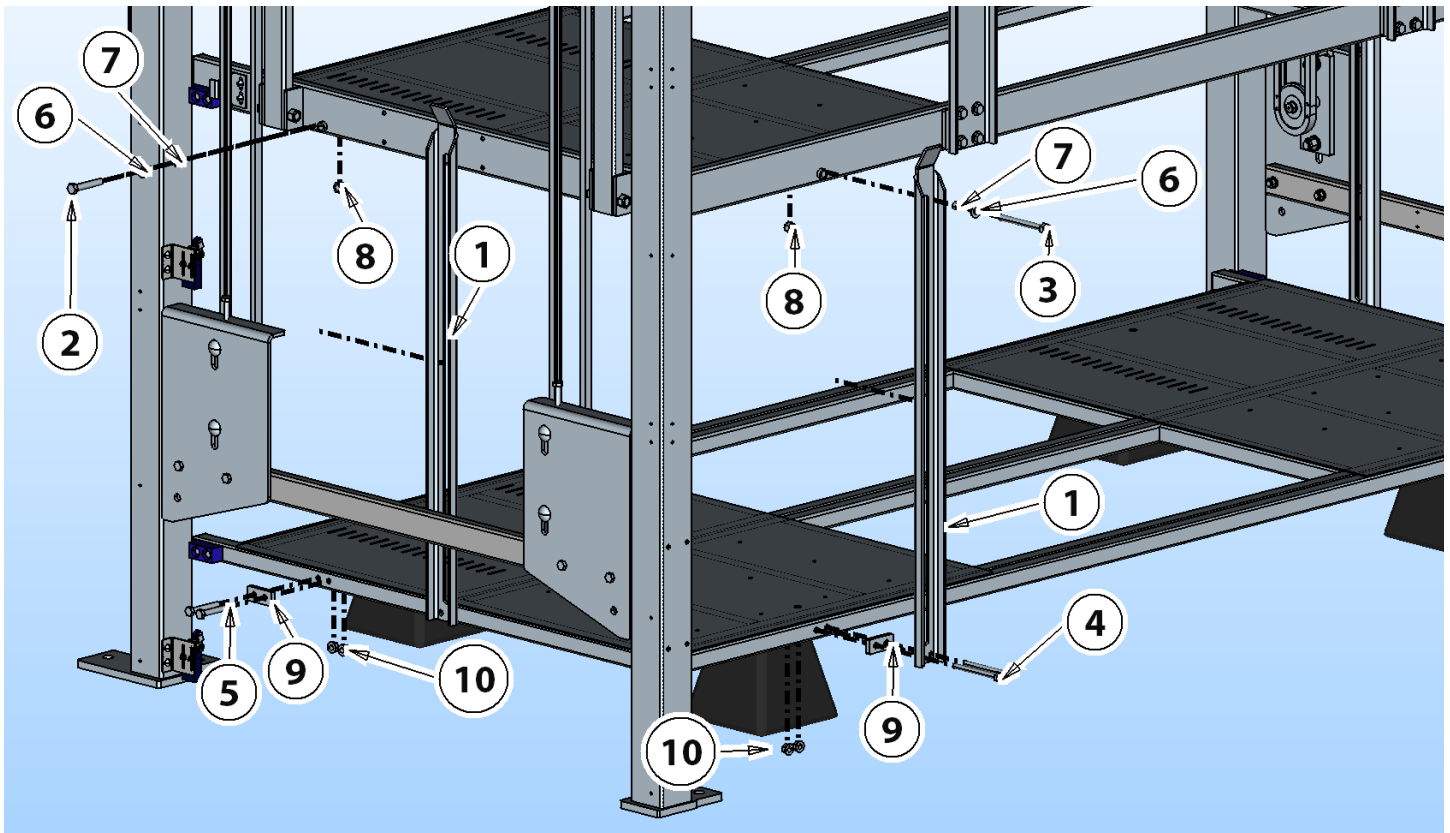
For ST327-96S Components:

Key	Description	Item_no
1	Not used on this model	
2	Channel, hbl sl top pltfrm bckstp	5-75739
3	Washer sae 3/8 (.406X.813X.080)	003-0008
4	3/8 X 3/4 hex bolt gr5 unc	001-0113

COMPONENTS

L1 Platform Vertical Connectors

Install all 4 vertical connectors to L1 platform.

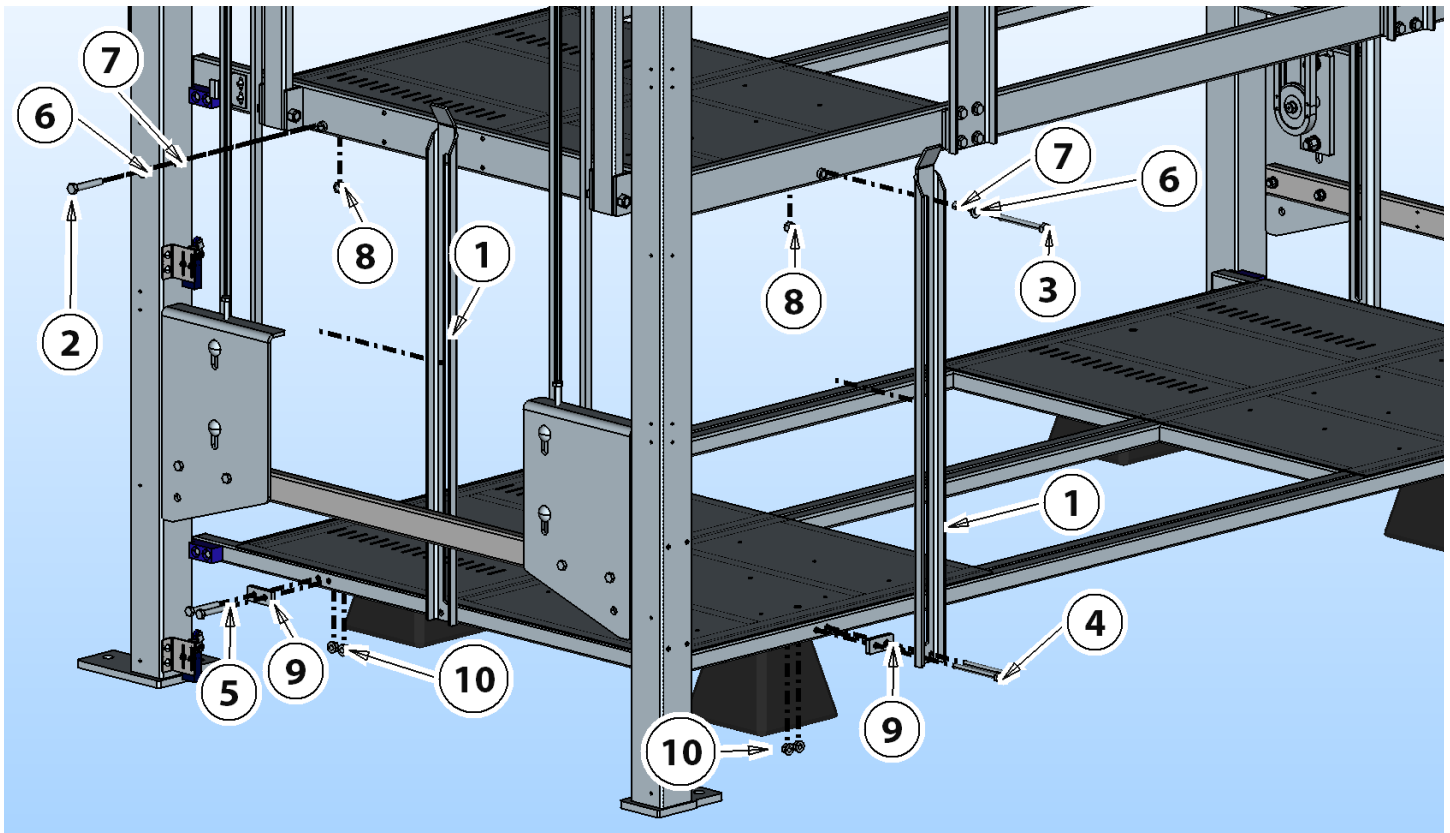


Key	Description	Item_no
1	Channel, hbl 30in sl vert pltrm cnctr	5-76718
2	Carousel chain bolt	2-47290
3	7/16 X 4 hex bolt gr5 unc	001-0138
4	3/8 X 4 hex bolt gr5 unc	001-0124
5	3/8 X 2 1/2 hex bolt gr5 unc	001-0120
6	Washer sae 7/16 (15/32 x 59/64 x 1/16)	003-0125
7	Bushing crsl hook	007-0062
8	Nut lock 7/16 steel l9 unc	004-0088
9	Flat, hbl vert connector spacer	5-68977
10	3/8 Flange nut gr5 unc	004-0015

COMPONENTS

L1 Platform Vertical Connectors for ST327-96S

Install all 4 vertical connectors to L1 platform.



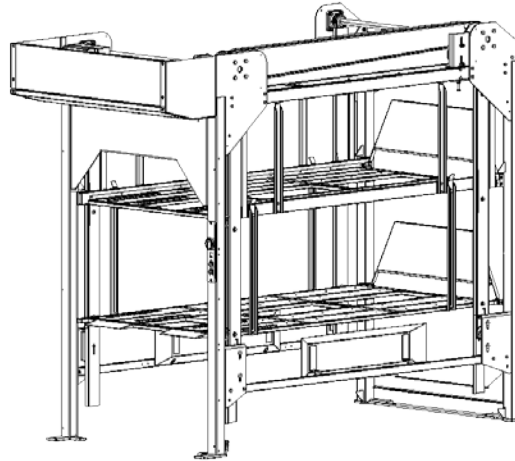
For ST327-96S Components:

Key	Description	Item_no
1	Channel, hbl sl vertical pltfrm cnnctr	5-76157
2	Carousel chain blot	2-47290
3	7/16 X 4 hex bolt gr5 unc	001-0138
4	3/8 X 4 hex bolt gr5 unc	001-0124
5	3/8 X 2 1/2 hex bolt gr5 unc	001-0120
6	Washer sae 7/16 (15/32 x 59/64 x 1/16)	003-0125
7	Bushing crsl hook	007-0062
8	Nut lock 7/16 steel l9 unc	004-0088
9	Flat, hbl vert connector spacer	5-68977
10	3/8 Flange nut gr5 unc	004-0015

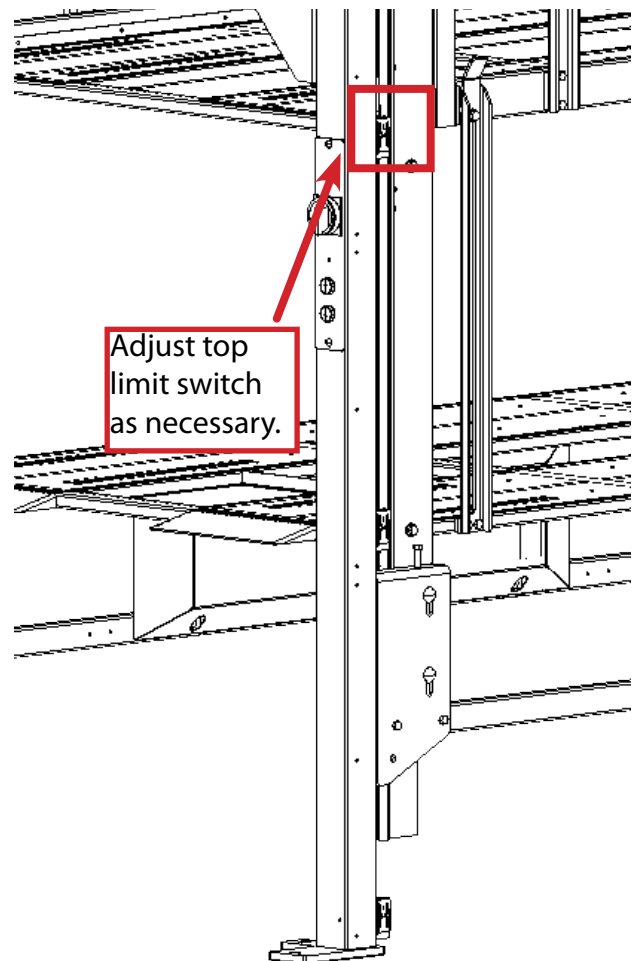
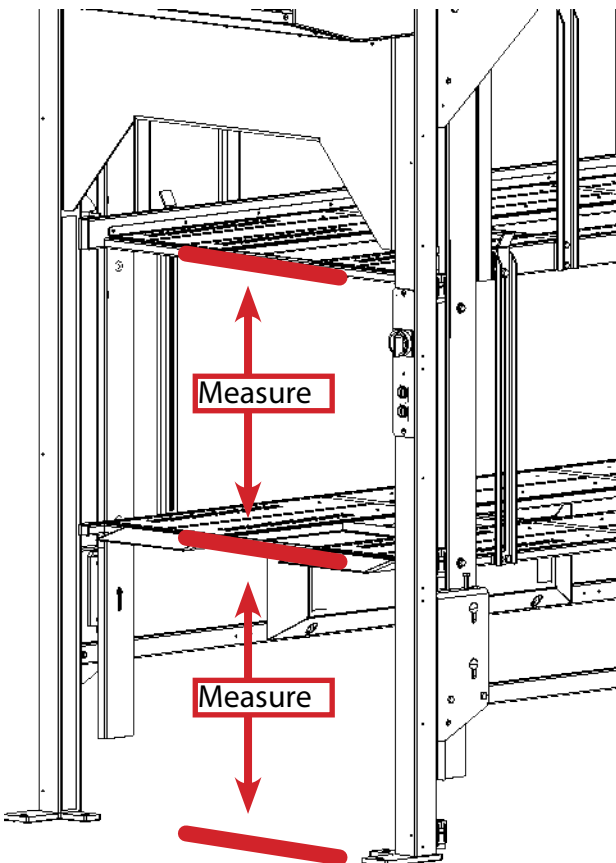
COMPONENTS

Limit Switches

1. Turn the master disconnect switch to the 'on' position.
Press and hold the 'up' button until all platforms have reached the top limit, and stop.



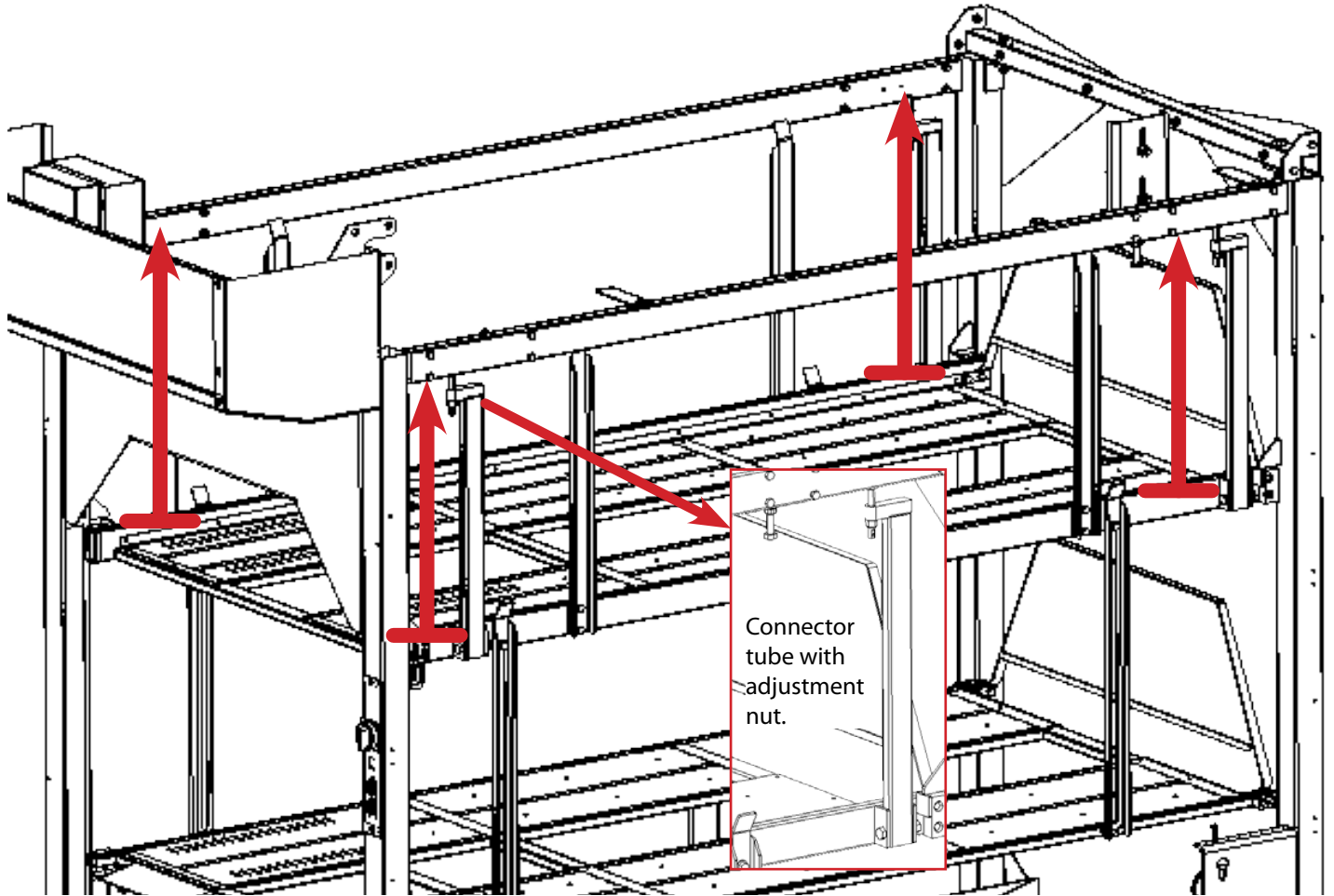
2. Measure the distance between the top, and second platform. Measure the distance between the floor to the bottom of the lowest platform. Both measurements should be identical. If not, adjust top limit switch.



COMPONENTS

Limit Switches

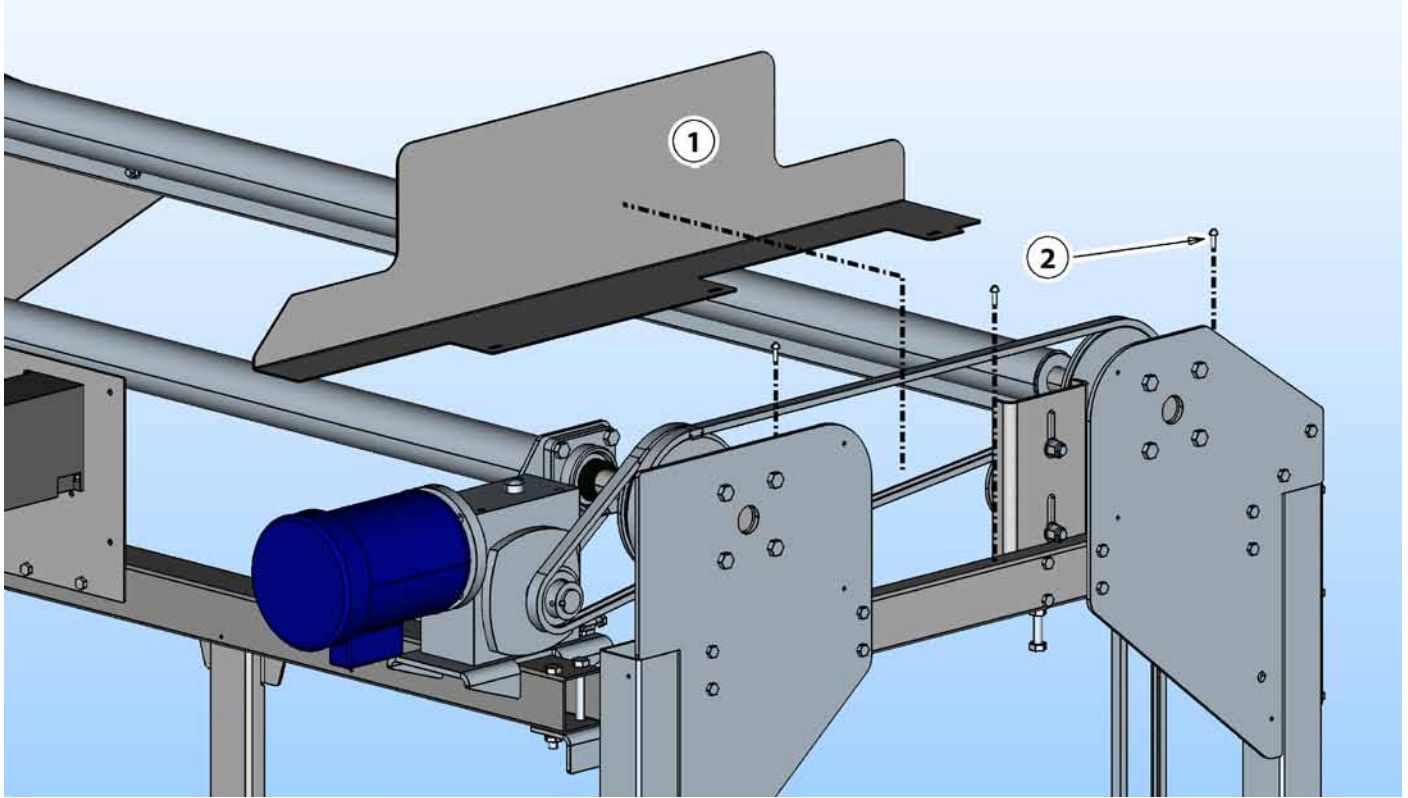
3. Measure from the top platform to the top side brace tube.
Measure all 4 corners of the top platform.
All 4 corners must be identical. Use adjustment nuts on connector tubes as necessary.



4. Press and hold the 'down' button, and lower the top platform approx. 12" (approx. 30cm).
4. Press and hold the 'up' button.
Once the platform stops, the distance between the top platform and top side brace tube should be identical to step 3.
Adjust the top limit switch as necessary to achieve the same measurement.

COMPONENTS

Drive Chain Guard

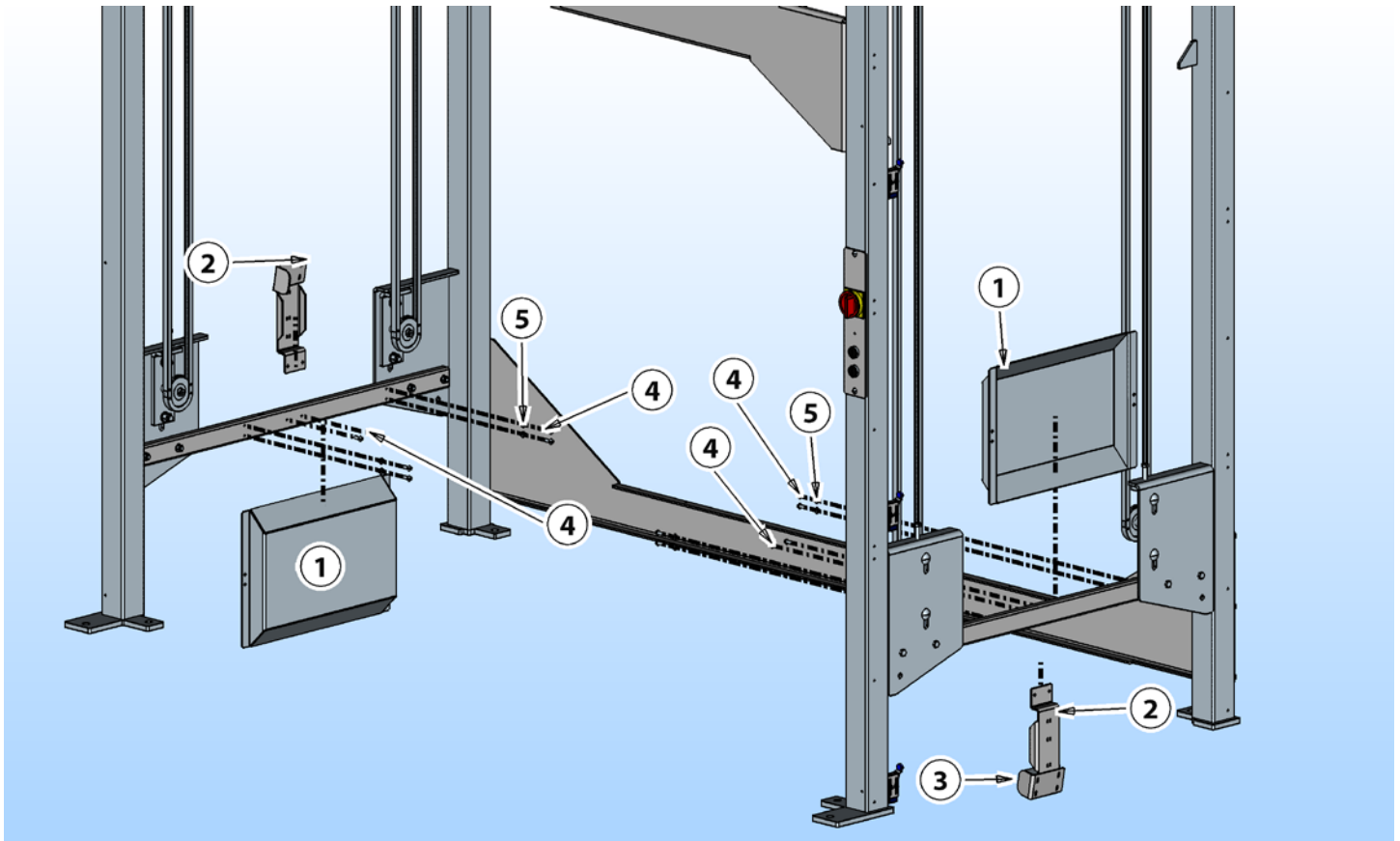


Key	Description	Item_no
1	Guard, hbl sl frnt to bck chain	5-75300
2	Screw combi 1/4 x 3/4 truss head 9/16 dia	002-0120

Drive chain guard components are identical between ST330-96S, and ST327-96S

COMPONENTS

Bumper & Sensors



Key	Description	Item_no
1	Hbl side-load 4-bed guide	5-77039
2	Bracket, hbl sl bed sensor mnt univ	5-75341
3	XUC-9ARCTL2 sensor	410-0111
4	Screw combi 1/4 x 3/4 truss head 9/16 dia	002-0120
5	Wshr flat 1/4	003-0114

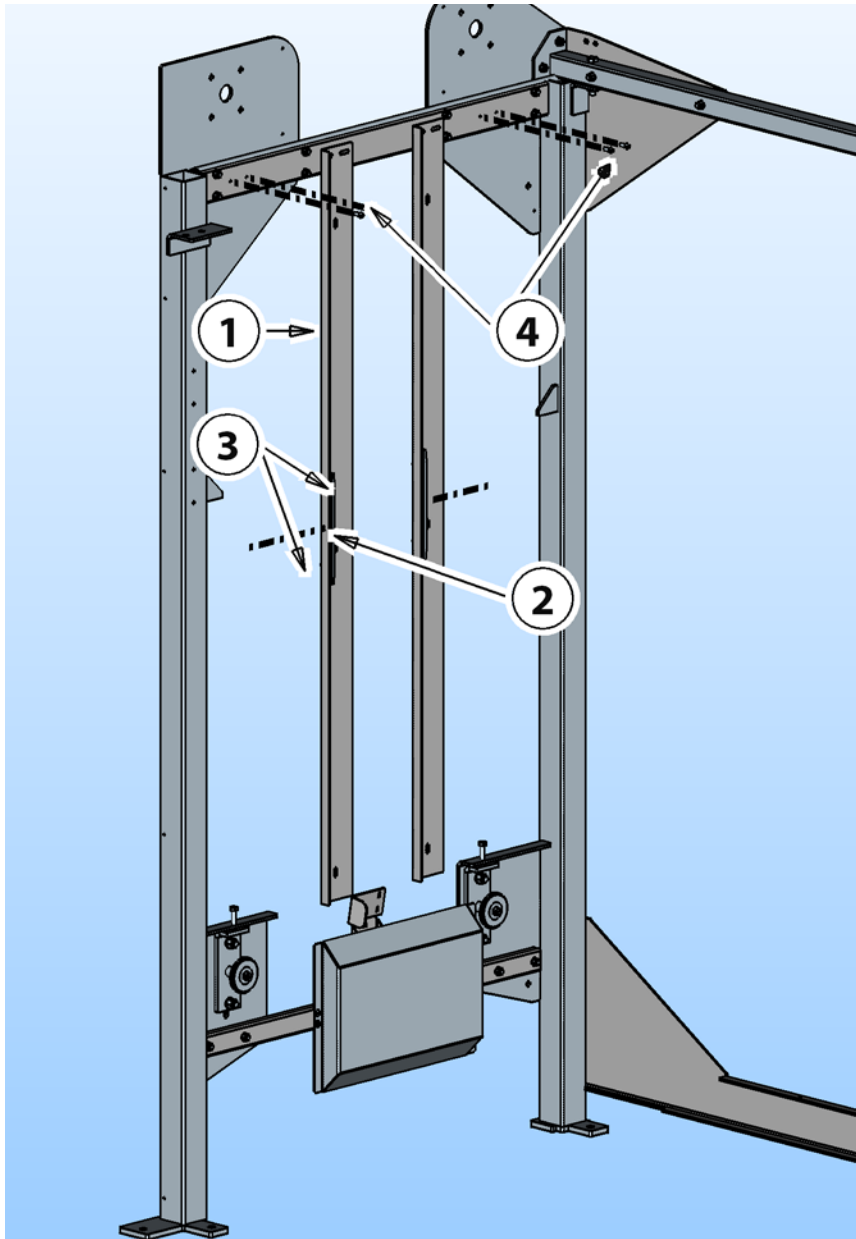
For ST327-96S Components:

Key	Description	Item_no
1	Not used on this model	
2	Bracket, hbl sl bed sensor mnt univ	5-75341
3	XUC-9ARCTL2 sensor	410-0111
4	Screw combi 1/4 x 3/4 truss head 9/16 dia	002-0120
5	Not used on this model	

COMPONENTS

Outer Load Chain Guard

Install outer load chain covers on all corners of the Bedlift.

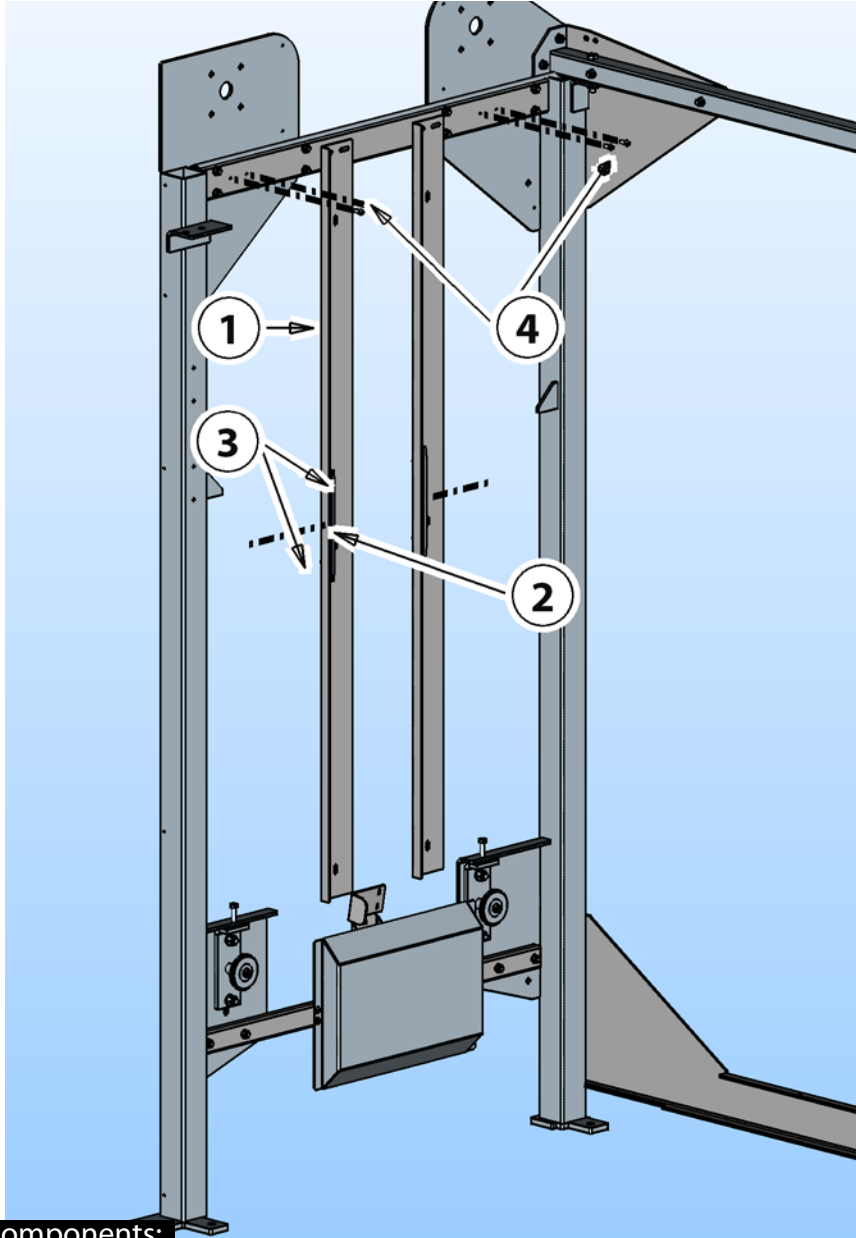


Key	Description	Item_no
1	Angle, hbl chn guard top lft 330s	5-76776
2	Guide, hbl plastic chain	5-70165
3	Screw wood #6x5/8 robertson	002-0121
4	Screw combi 1/4 x 3/4 truss head 9/16 dia	002-0120
	Left side, complete front or rear assembly, hbl chn grd angle top 330s (includes items 1,2,3), shown	5-76778
	Right side, complete front or rear assembly, hbl chn grd angle top 330s (includes items 1,2,3) (not shown)	5-76775

COMPONENTS

Outer Load Chain Guard for ST327-96S

Install outer load chain covers on all corners of the Bedlift.



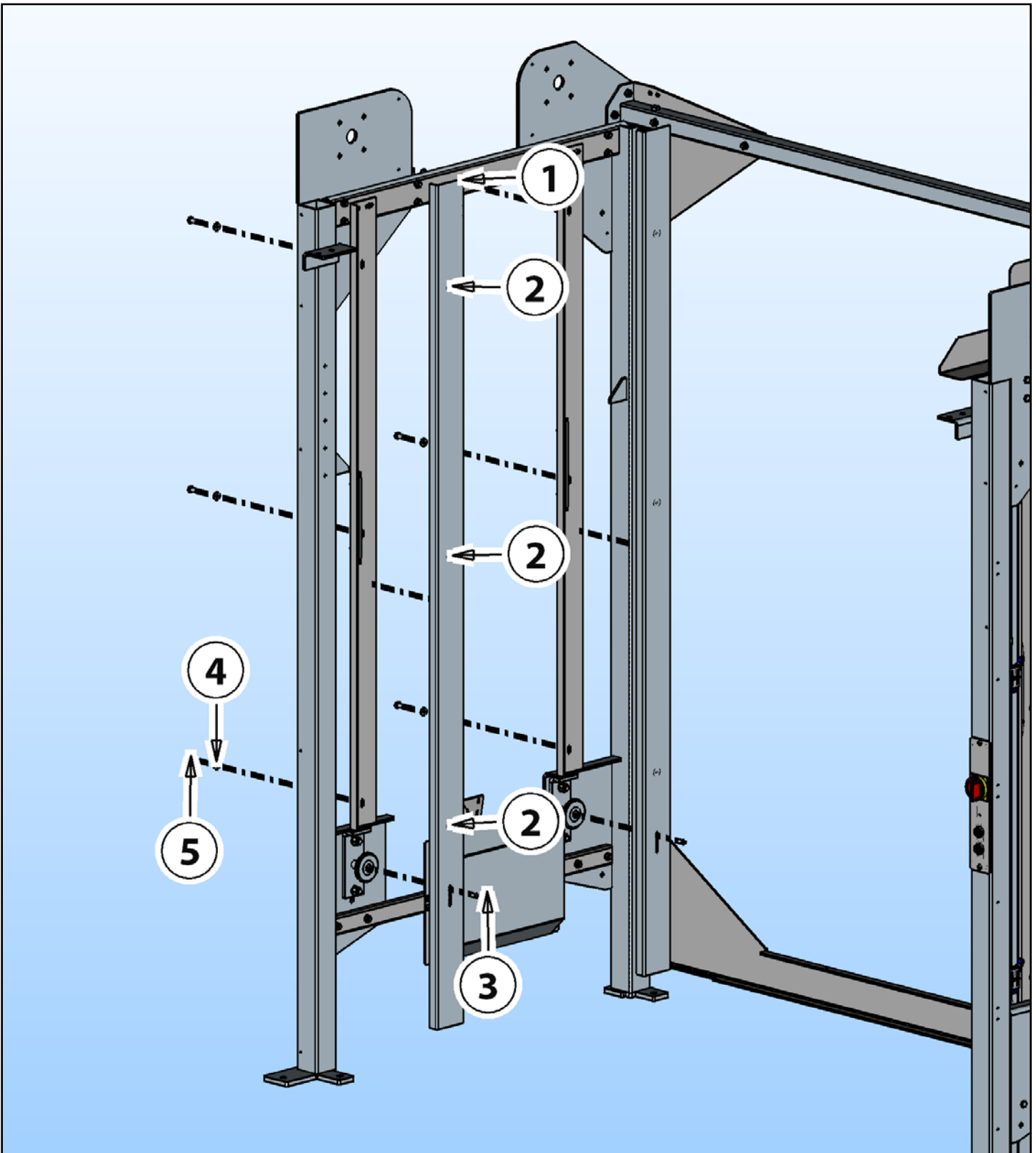
For ST327-96S Components:

Key	Description	Item_no
1	Angle, hbl chn guard top lft 3b sl	5-76280
2	Guide, hbl plastic chain	5-70165
3	Screw wood #6x5/8 robertson	002-0121
4	Screw combi 1/4 x 3/4 truss head 9/16 dia	002-0120
	Left side, complete front or rear assembly, asm, hbl chn grd angle top 3bed sl (includes items 1,2,3) (shown)	5-76285
	Right side, complete front or rear assembly, hbl chn grd angle top 3bed sl (includes items 1,2,3) (not shown)	5-76284

COMPONENTS

Inner Load Chain Guard

Install inner load chain covers on all corners of the Bedlift.



Component list on next page.

COMPONENTS

Inner Load Chain Guard

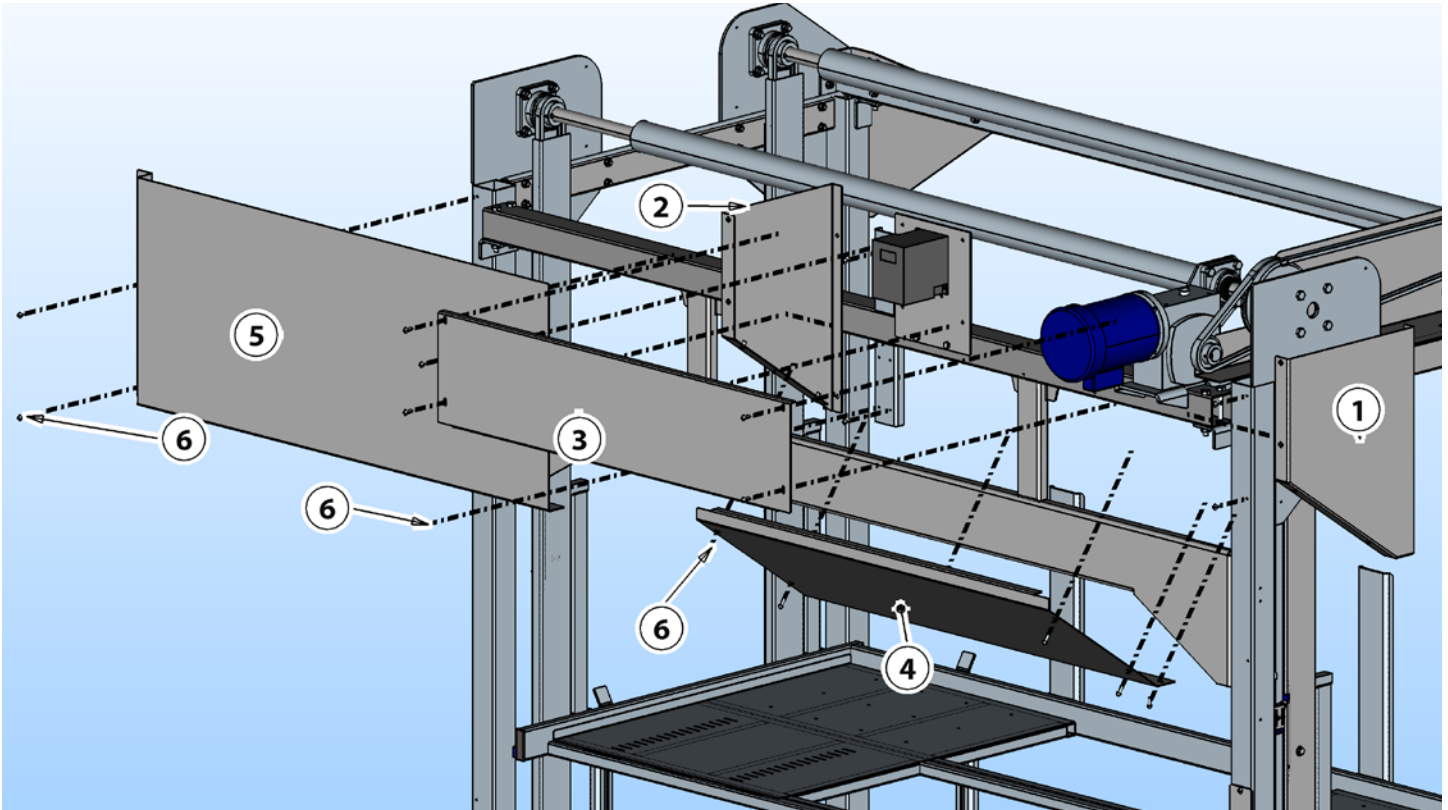
Key	Description	Item_no
1	Hbl chain guard lft 330s	5-76792
	Hbl chain guard rt 330s (right side, not shown)	5-76782
2	Spacer, hbl chain guard	5-69033
3	Screw combi 1/4 x 3/4 truss head 9/16 dia	002-0120
4	Washer sae 3/8 (.406X.813X.080)	003-0008
5	3/8 X 3/4 hex bolt gr5 unc	001-0113
	Left side, complete front or rear assembly, guard, hbl chn inside weld lt 330s (includes items 1,2)	5-76793
	Right side, complete front or rear assembly, guard, hbl chn inside weld rt 330s (includes items 1,2)	5-76787

For ST327-96S Components:

Key	Description	Item_no
1	Angle, hbl chain guard lft 3b sl	5-76283
	Angle, hbl chain guard rt 3bed sl	5-76281
2	Spacer, hbl chain guard	5-69033
3	Screw combi 1/4 x 3/4 truss head 9/16 dia	002-0120
4	Washer sae 3/8 (.406X.813X.080)	003-0008
5	3/8 X 3/4 hex bolt gr5 unc	001-0113
	Left side, complete front or rear assembly, guard, hbl chn inside weld lt 3b sl (includes items 1,2)	5-76300
	Right side, complete front or rear assembly, guard, hbl chn inside weld rt 3b sl (includes items 1,2)	5-76286

COMPONENTS

Front Covers



Key	Description	Item_no
1	Cover, hbl sl motor rt asm	5-75358
2	Cover, hbl sl left motor asm	5-75360
3	Plate, hbl sl front cover top	5-75336
4	Plate, hbl sl front mtr cover btm	5-75337
5	Panel, hbl sl frnt non motor side	5-75345
6	Screw combi 1/4 x 3/4 truss head 9/16 dia	002-0120

Front cover components are identical between ST330-96S, and ST327-96S

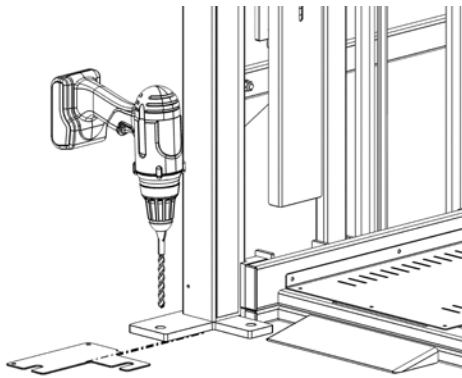
COMPONENTS

Anchoring/Seismic Anchoring

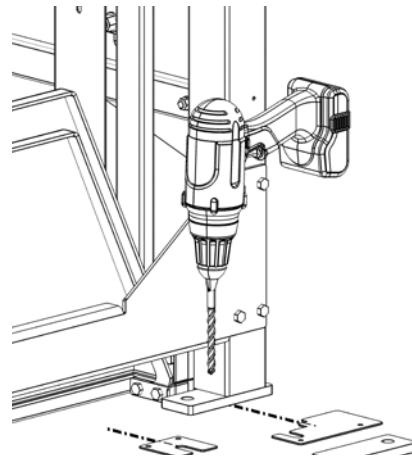
1. Move Bedlift into place as per customer.
2. Square Bedlift.
3. Install front/rear footplate shims as needed to level the Bedlift.
4. Using a hammer drill with 5/8" bit, drill a hole 5-6" deep into all 6 anchor plate holes.
 - a. Vacuum away dust and drive anchor bolt into hole
 - b. Tighten nut.

NOTE: Protect threads from damage during anchor installation. Set the 5/8 x 6" Kwik Bolt TZ anchors to the manufacturer's recommended torque of 60 Ft-lb or 81 Nm, using a torque wrench. Anchors should be set to a minimum effective embedment of 4 inches. Following attainment of 10% of the specified torque, 100% of the specified torque shall be reached within 7 or fewer complete turns of the nut. If the specified torque is not achieved within the required number of turns, the anchor shall be removed and replaced unless otherwise directed by the Engineer.

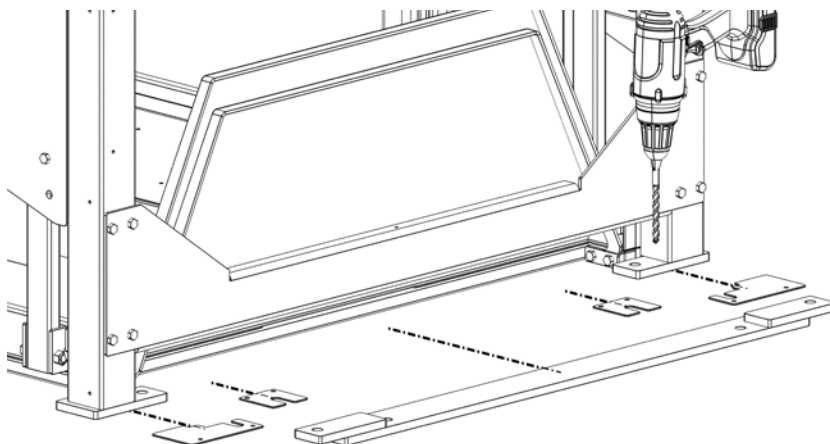
Front of Bedlift: Install front footplate shims as needed, and 2 anchor bolts per leg.



Rear of Bedlift: Install rear footplate shims as needed, and 1 anchor bolt per leg.



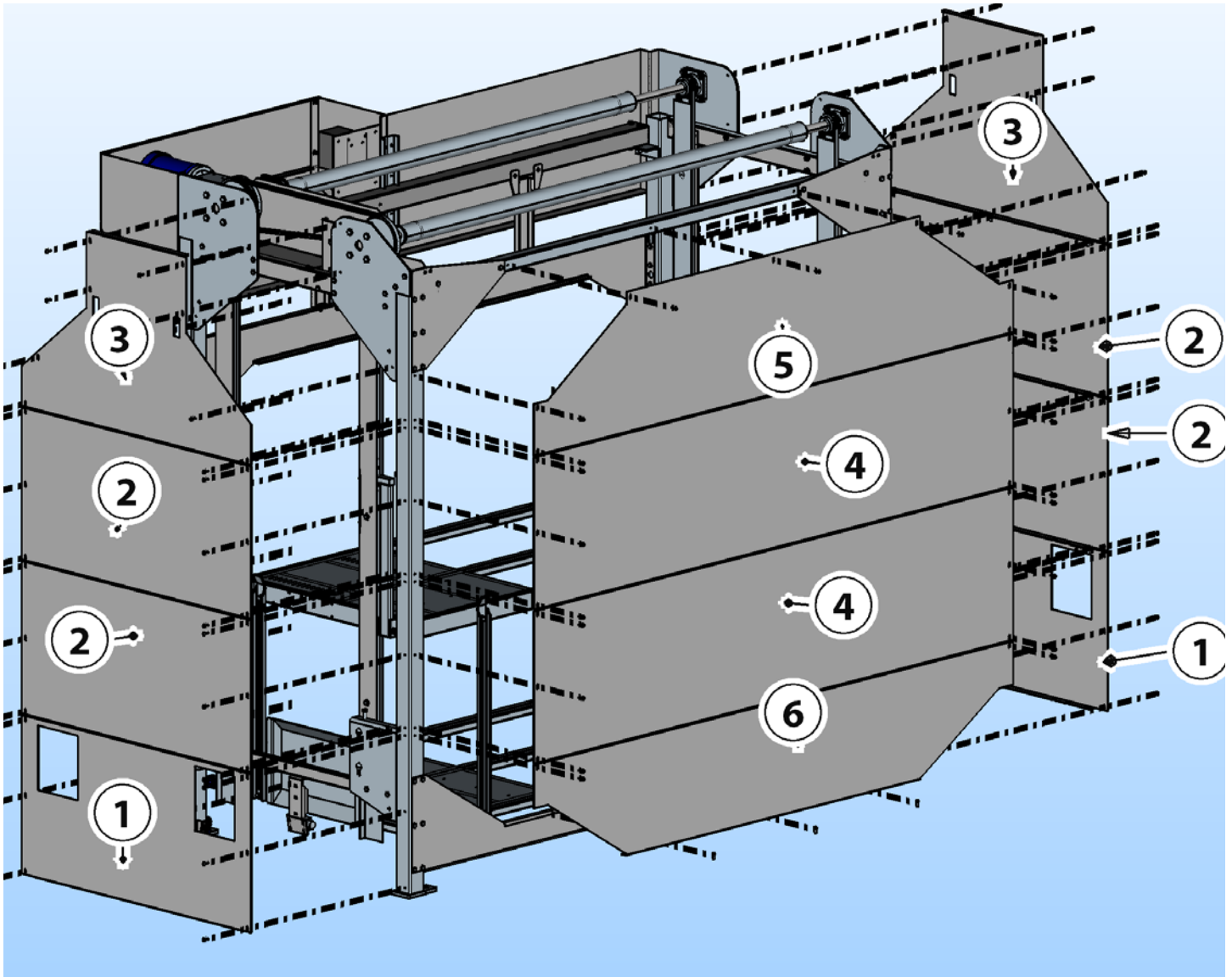
Seismic Anchoring: In addition to the front Bedlift anchoring, seismic anchoring requires the installation of the Back Anchor Plate Kit at the rear of the Bedlift as shown below.



Install rear footplate shims (as needed) and install Back Anchor Plate Kit, with 4 anchor bolts.

COMPONENTS

Bedlift Panels (Optional)



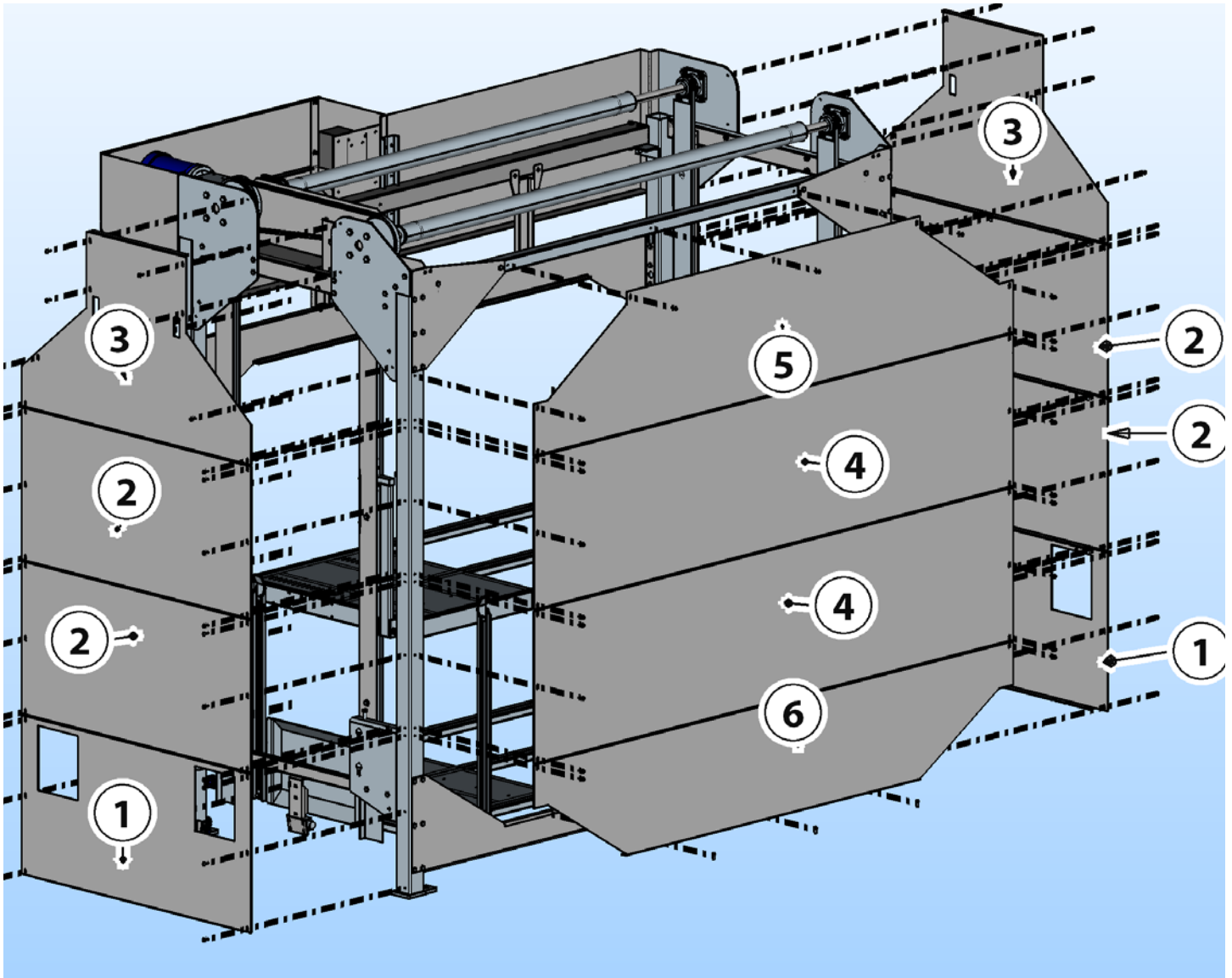
Key	Description	Item_no
1	Panel, hbl sl side panel btm univ	5-76063
2	Panel, hbl 330s side panel mid univ	5-76760
3	Panel, hbl sl side top	5-76066
4	Panel, hbl 330-96s back panel mid	5-76763
5	Panel, hbl sl back panel 4b top	5-76027
6	Panel, hbl sl back panel 4b btm	5-76028

All Bedlift panels are installed using: screw combi 1/4 x 3/4 truss head 9/16 dia - item #: 002-0120

Rear panels required when accessible.

COMPONENTS

Bedlift Panels for ST327-96S (Optional)



For ST327-96S Components:

Key	Description	Item_no
1	Panel, hbl sl side panel btm univ	5-76063
2	Panel, hbl sl 3b side panel mid univ	5-76302
3	Panel, hbl sl side top	5-76066
4	Panel, hbl sl back panel 3b mid	5-76303
5	Panel, hbl sl back panel 4b top	5-76027
6	Panel, hbl sl back panel 4b btm	5-76028

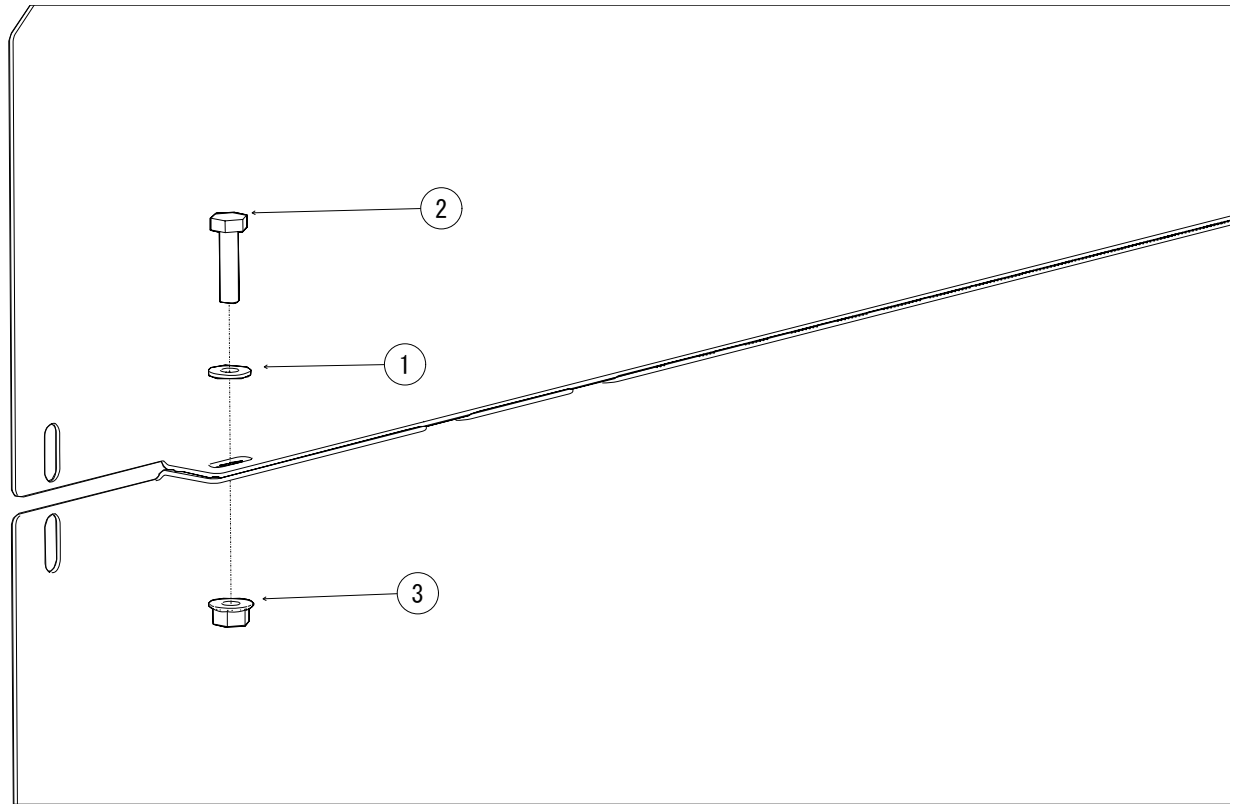
All Bedlift panels are installed using: screw combi 1/4 x 3/4 truss head 9/16 dia - item #: 002-0120

Rear panels required when accessible.

COMPONENTS

Bedlift Panel Joining Hardware (Optional)

Joining hardware for all Bedlift panels.



Key	Description	Item_no
1	Wshr flat 1/4	003-0114
2	1/4 X 1 hex bolt gr5 unc	001-0087
3	1/4 Flange nut gr5 unc	004-0013

COMPONENTS

Disassembly/Move/Re-assembly

- Turn off the Bedlift, lock-out the Master Disconnect switch, and un-plug the machine. If the Bedlift is hardwired, please arrange for a certified Electrician to disconnect the power.
- Remove anchoring from the Bedlift.

If moving the Bedlift to a new location in the same area:

Place a rolling dolly under each corner of Bedlift.

Roll Bedlift lift to new location.

Unload Bedlift from rolling dollies

If moving the Bedlift to new location:

If the Bedlift has optional side panels, they must be removed first.

Follow assembly steps in reverse order of the assembly process. Stop at the end of page 12 (front & rear main tubes complete).

Ensure suitably sized rolling carts are available for transporting the disassembled Bedlift pieces to the new location.

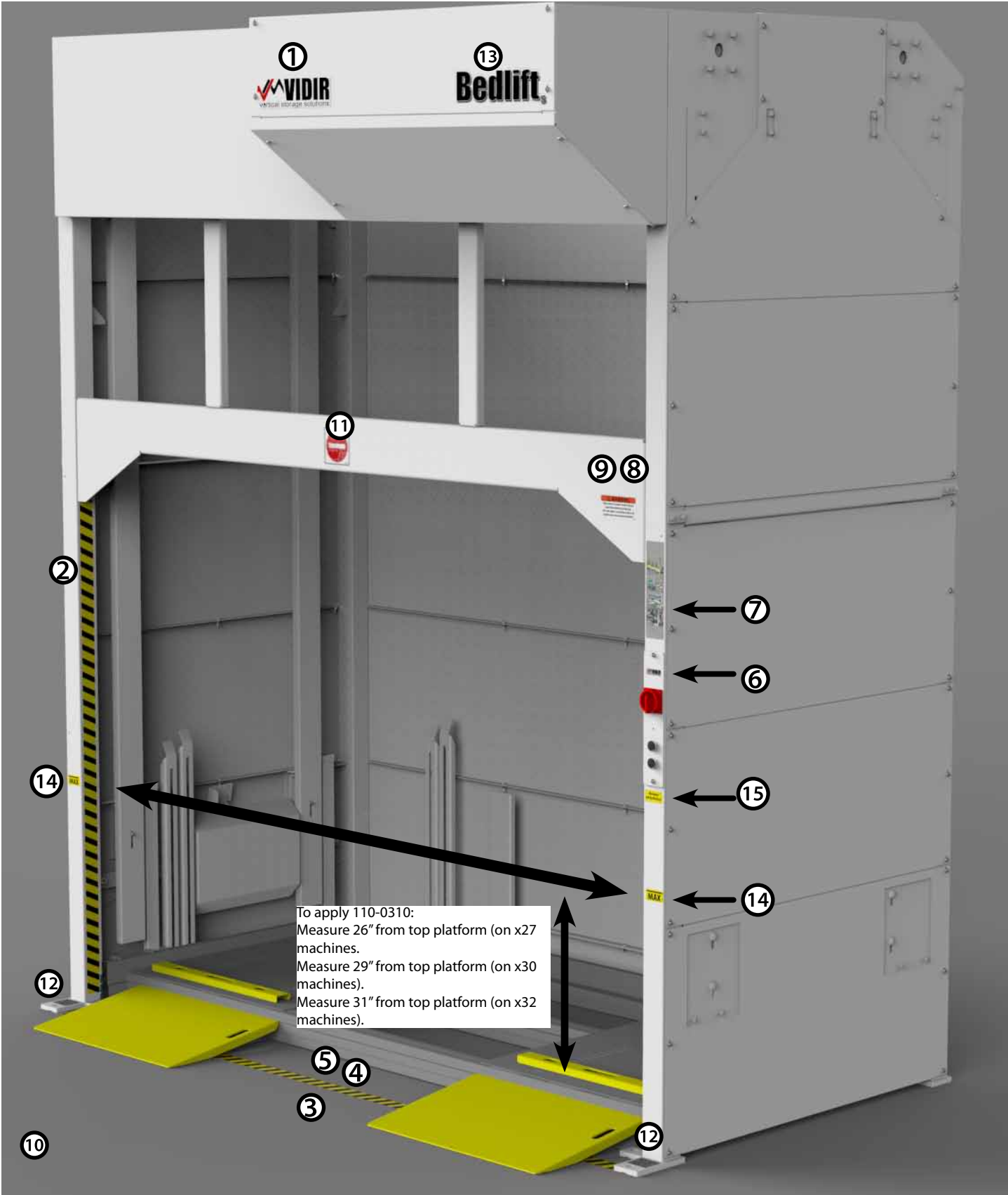
Load Bedlift components onto rolling carts, and transport to new location.

Re assemble the Bedlift starting at the beginning of page 10 vto the end of the assembly process for your Bedlift.















- Square, and level the Bedlift.
- Replace anchoring.
- Re-connect electrical power to appropriate outlet.

COMPONENTS

STx27/x30/x33-96S Bedlift Graphics



COMPONENTS

Item	Part # & Description		Location
1	110-0285 Vidir Logo 12x3"		front motor cover 2" from left side 1.5" from bottom edge.
2	111-1258 Safety Tape		inside of left & right front main tubes 2 PC @ 64 x 2"
3	111-1258 Safety Tape 97.5 x 2"		applied to floor between Bedlift footplates.
4	110-0295 Pinch Point 7.5 x 1.875"		applied on top of item 3 between bottom platform mini-ramps.
5	110-0296F Pinch Point 5 x 1.875"		applied on top of item 3; next to item 4 (for bilingual decal kit).
6	110-0286 Polyurethane Vidir logo 1.0 x 0.625"		applied on ebox panel above disconnect switch centered.
7	110-0320 Bedlift S Loading Instructions+Read Instructions 2.5 x 9.0"		applied above ebox to front surface of main tube.
8	110-0292 Bedlift Machine Disconnect 5.25 x 2.5"		applied to triangle area of front cross brace.
9	110-0292EF Bedlift Machine Disconnect 5.25 x 5"		applied to triangle area of front cross brace (for bilingual decal kit).
10	110-0293 Bedlift Turn to Lock 2.5 x 1.75"		applied next to lock mechanism of security shutter.
11	110-0328 Bedlift No Not Enter 4.5 x 4.5"		applied to center of front cross brace
12	110-0298 Bedlift This Anchor Plate - 3.0 x 2.5"		applied to left & right center of both seismic foot plates only
13	110-0315 Bedlift S logo 13.25x3.75		front motor cover 2" from right side 1.5" from bottom edge.
14	110-0310 - Max Height - 2.5 x 1.5		applied to left & right main tube at 1st level platform height
15	110-0312 - Maximum 600 lbs/ Platform - 2.5 x 1.25" 110-0313 Maximum 900 lbs/Platform (for HD units). 2.5 x 1.25"		applied below control panel



VIDIR Bedlift Installation Checklist

Date of Install

City Prov/State

Model/Type

Serial No.

Serial No.

Installation Company Customer Signoff(Print Name)

Installer (Print Name) Customer Title

Installer Signature Customer Signature

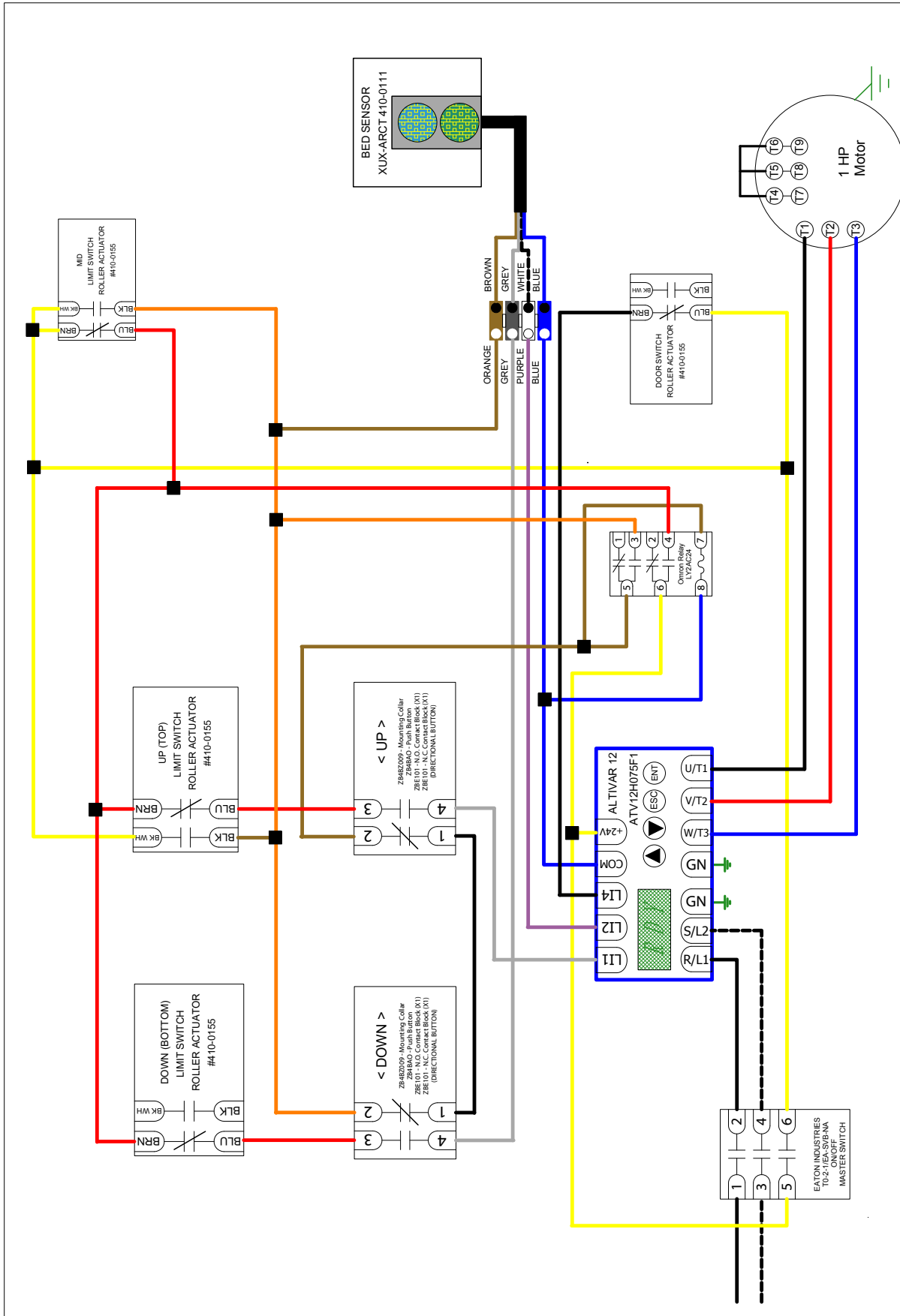
✓ Indicates item is installed and in good condition	Installed	Initials
All bolts have been tightened.		
Drive chain is aligned and runs quiet.		
Lift chains are tight, and adjusted.		
All chain covers installed.		
Bedlift anchoring:		
Anchoring installed as per manual		
Seismic anchor plate required: No ___ Yes ___ Installed as per manual		
Limit switch adjustment:		
a) when lifting, the lowest moving platform stops just as it reaches the upper limit of the lift brackets for the platform beneath.		
b) when lowering, platforms stop just as the bottom moving platform makes contact with the floor, or platforms at ground level.		
Bedlift has been cleaned, and paint has been touched-up (if required).		
All Bedlift platforms operate smoothly with no jamming		
Installation area has been cleaned.		
Pictures taken		
Operator training completed		
Name		
Name		
Name		

Conclusion This unit has been installed and inspected for safe operation and is operating as intended by the manufacturer.

Comments and Parts Used (If any) _____

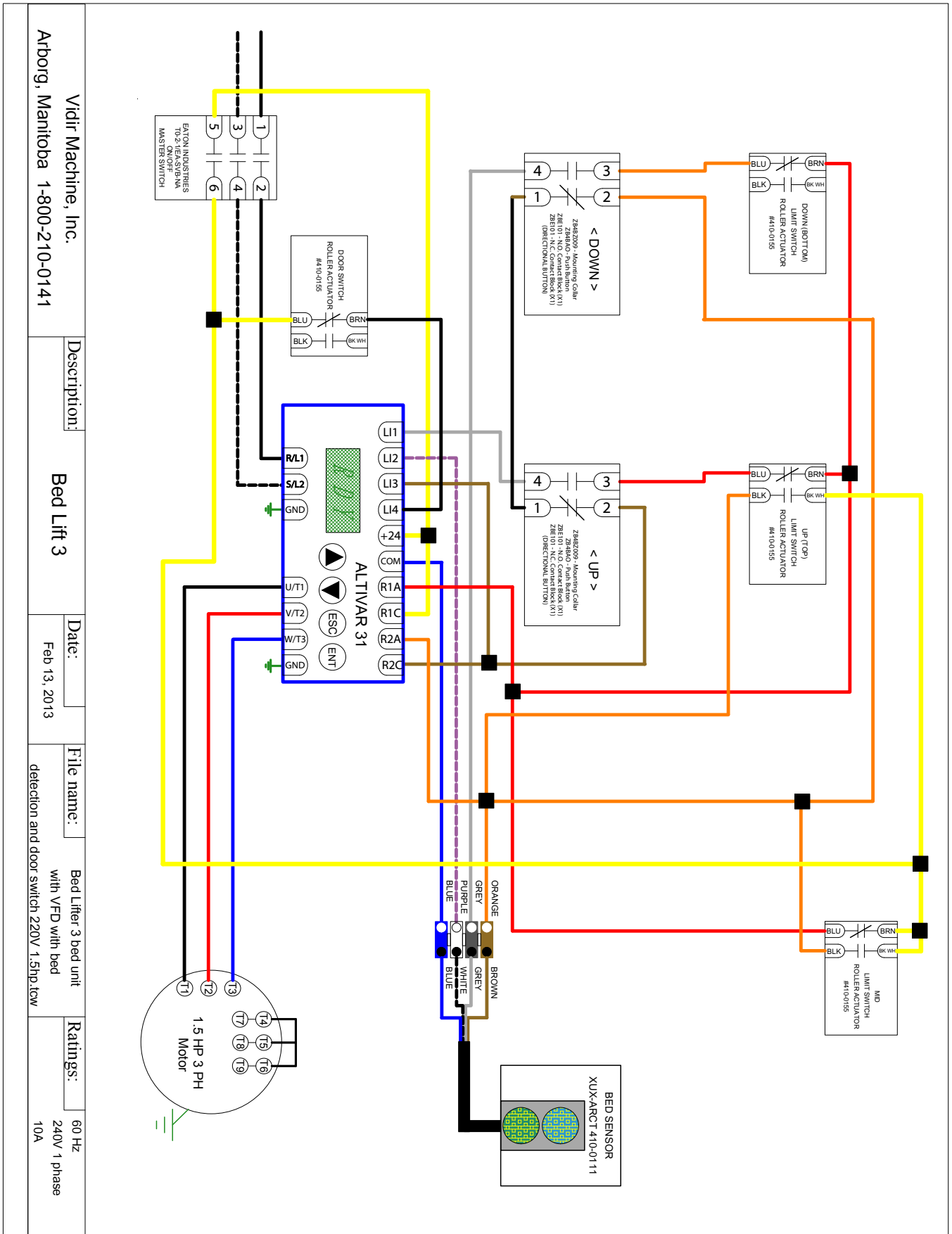
Fax completed checklist to 1-204-364-2454 Attn Installation Manager

WIRING SCHEMATIC



<p>Vidir Machine, Inc. Arborg, Manitoba 1-800-210-0141</p>	<p>Description: Bed Lift 3</p>	<p>Date: Feb 13, 2013</p>	<p>File name: Bed Lifter 3 bed unit with VFD with bed detection and door switch 1.10V 1hp.tcw</p>	<p>Ratings: 60 Hz 110V 1 phase 15A</p>
---	---	--------------------------------------	--	---

WIRING SCHEMATIC



Vidir Machine, Inc.
Arborg, Manitoba 1-800-210-0141

Description: Bed Lift 3

Date: Feb 13, 2013

File name: Bed Lifter 3 bed unit with VFD with bed detection and door switch 220V 1.5hp.tcw

Ratings: 60 Hz, 240V 1 phase, 10A

DOCUMENT LIST

Type.....	Document Number
<u>Installation Manual</u>	Bedlift-ST233-45X_im_06_Dec2015.pdf
.....	Bedlift-ST3xxx_im_08_Dec2015.pdf
.....	Bedlift-ST4xx-5xx-45R-im-07_Dec2015.pdf
.....	Bedlift-ST327-330-96S-im-04_Dec2015.pdf
.....	Bedlift-ST427-96S-im-04_Dec2015.pdf
 <u>Operator's Manual</u>	 Bedlift-R-om-06-June2015.pdf
.....	Bedlift-S_om_02_June2015.pdf
 <u>Service/Machine Components Manual</u>	 Bedlift-ST233-45X-sm-04_Dec2015.pdf
.....	Bedlift-ST327-45R_sm_07_Dec2015.pdf
.....	Bedlift-ST427-45R-sm_05_Dec2015.pdf
.....	Bedlift-ST527-45R-sm-04-Dec2015.pdf
.....	Bedlift-ST327-330-96S-sm-01_Dec2015.pdf

WARRANTY & LIABILITY

Vidir Machine Inc. Warranty Agreement and Limitation of Liability

1. Vidir Machine Inc. ("Vidir") warrants solely that the equipment shall be free from any defect due to faulty workmanship or material deficiency at the time of delivery to the buyer thereof (the "Buyer") and for a period of one year therefrom.
2. All work except minor repairs or adjustments to the equipment furnished on an emergency basis, will be performed during regular working hours. If the Buyer requests that repair work be performed outside of regular working hours, it is the responsibility of the Buyer to pay the difference between regular and premium labour rates at the then standard hourly billing rate.
3. This warranty shall be voided by any modifications to the equipment or any use of the equipment for any purpose other than that for which it was specifically intended.
4. This warranty is the only warranty made by Vidir. The Buyer hereby expressly waives any obligations or liability, including liability for loss or damages due directly or indirectly, any obligations including, without limitation, loss of use, revenue, or profit, shipping and handling, and injury to person or property.
5. It is the responsibility of Buyer to know, understand and comply with the work and safety laws and regulations in effect and governing Buyer's use of the equipment. To the extent governing law requires inspections, records keeping and/or after-purchase modifications to the equipment, it is the responsibility of the Buyer to arrange for and comply with such requirements and any associated costs are the sole responsibility of the Buyer. Vidir assumes no responsibility or liability for Buyer's performance under or compliance with such laws and regulations.
6. If the equipment is found by the Buyer to be defective, the Buyer must notify Vidir within a period of 30 days of discovery of the defect.
7. The Buyer is expected to provide access to all equipment covered by this warranty. Vidir shall not be responsible for any expense incurred in removing, replacing, or refinishing any part of the building structure necessary for the performance of Vidir's obligations under this warranty.
8. In the event that any alterations, additions, adjustments or repairs are made by others without Vidir's prior written consent, Vidir may, at its option, immediately terminate this warranty by providing written notice to the Buyer.
9. In the event Vidir is required to make emergency calls, repairs and/or replacements under this warranty occasioned by the Buyer or any user's negligence, improper operation or misuse of the equipment or by fire, explosion, flooding, the elements, strikes, labour troubles, vandalism, riots or civil commotion, or by any cause beyond Vidir's control. The Buyer shall reimburse Vidir for such emergency calls, repairs and/or replacements in accordance with the then current rates for such services.
10. Vidir's liability for injury to persons or property shall, in any event, be limited to that caused directly by its negligence. Vidir shall not be liable, however, on any account, for any damage or loss to the Buyer or its dealers, representatives, affiliates or agents resulting from business interruption, inconvenience, loss of profits, or special or, indirect or consequential damage. Vidir shall not be deemed to guarantee or warrant the continuing operation or operating efficiency of the equipment covered, nor shall Vidir be liable for any breakdowns thereof or for any damage to any other property of the Buyer not covered by this warranty but resulting from any breakdowns in or operating mishaps of the equipment covered.
11. Should any payment due by the Buyer become thirty days or more delinquent, Vidir may terminate this warranty by written notice, and all moneys owed Vidir shall be immediately payable on demand.
12. This warranty is not transferable or assignable by the Buyer.
13. Vidir reserves the right to determine, in its sole and absolute discretion the best means and methods to be employed for any corrective or repair work deemed necessary by Vidir pursuant to this warranty.