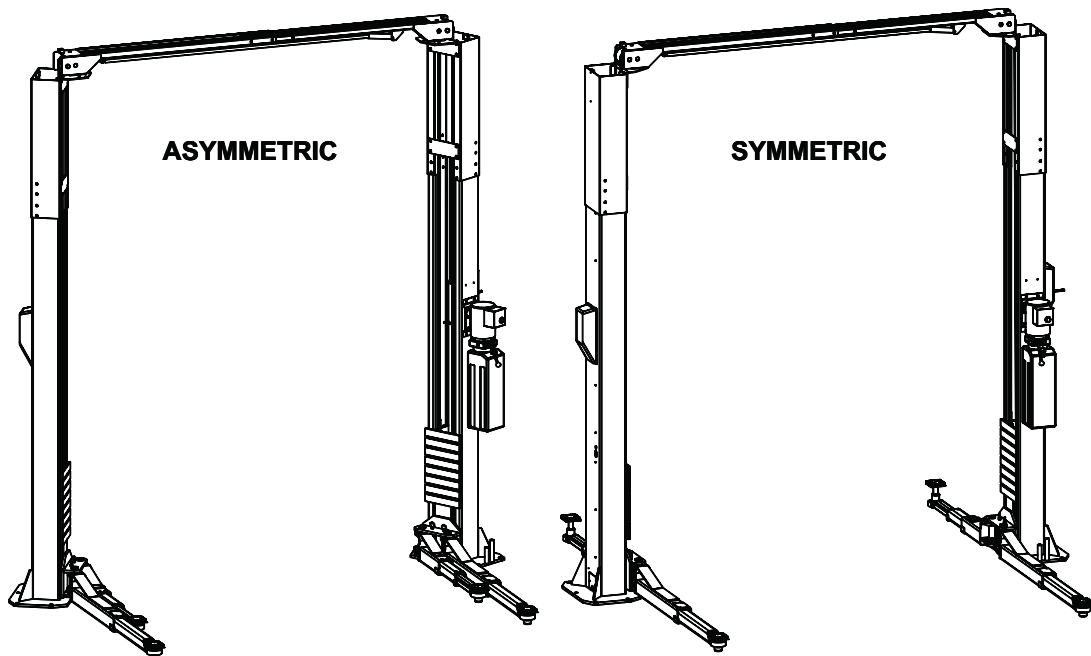


CL Challenger Lifts

Two Post Surface Mounted Lift



MODEL VS10

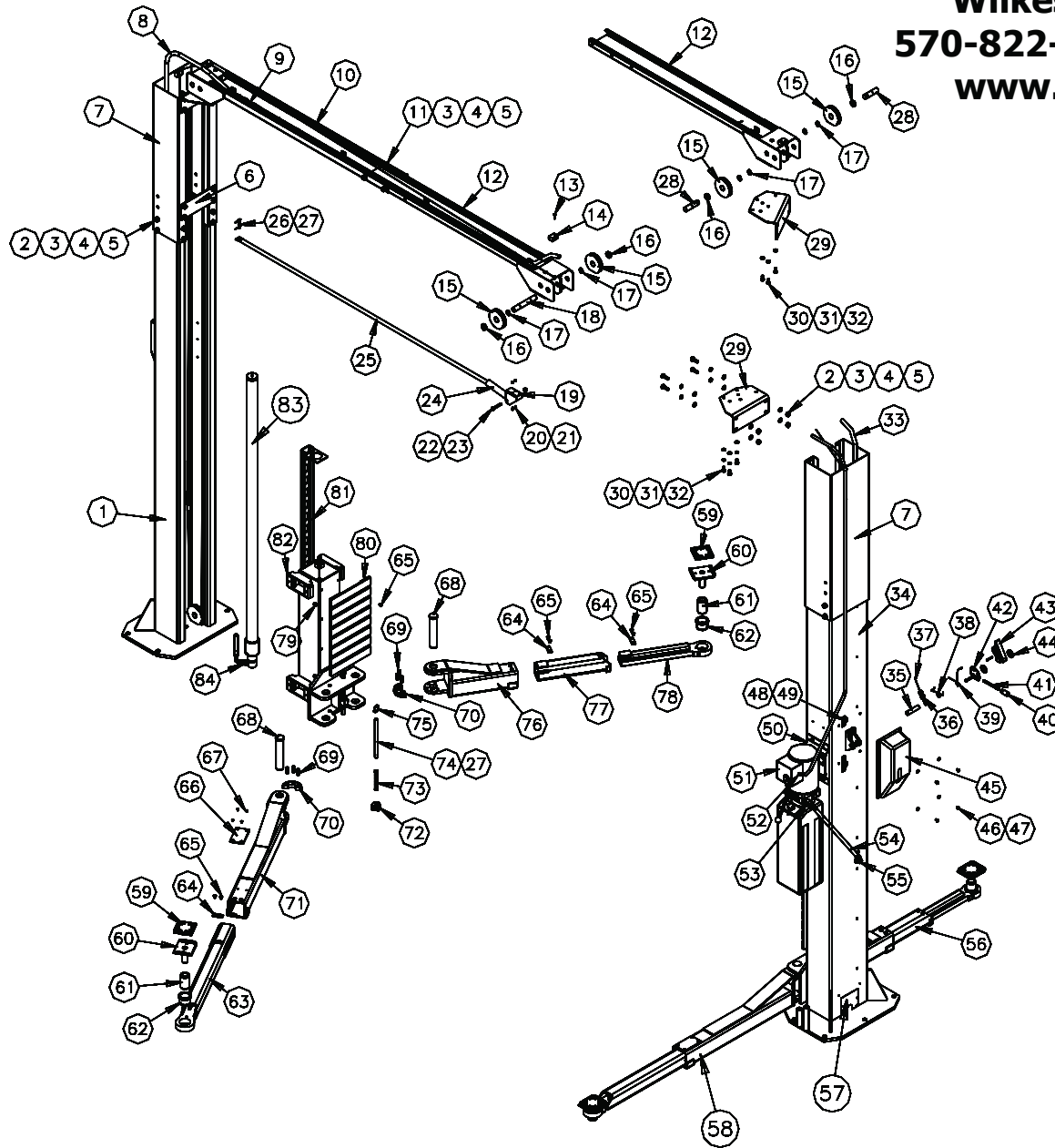
(This Lift may be installed either symmetrically or asymmetrically)

**10,000 LBS. CAPACITY
2500 LBS. PER ARM**

**PANZITTA SALES & SERVICE
72 George Avenue
Wilkes-Barre, PA 18705
570-822-6720 800-822-6720
www.panzittasales.com**

PARTS BREAKDOWN

PANZITTA SALES & SERVICE
72 George Avenue
Wilkes-Barre, PA 18705
570-822-6720 800-822-6720
www.panzittasales.com



Item #	Part Number	Qty	Description	Item #	Part Number	Qty	Description
1	VS10-11-00	1	Idler Column Weld	45	VS10-10-07-B	1	Lock Cover (Power Side)
2	VS10-40-13	32	M12 x 35 HHCS		VS10-11-02	1	Lock Cover (Idler Side)
3	X10-039	36	12mm Lock Washer	46	VS10-10-25	8	M8 Phillips Pan Head Screw
4	X10-038	68	12mm Flat Washer	47	VS10-10-26	8	8mm Flat Washer
5	X10-040	36	M12 Hex Nut	48	VS10-10-04	2	Lock Release Pulley
6	VS10-15	2	Support Strap	49	VS10-10-27	2	9mm Snap Ring
7	VS10-13-01	2	Column Extension Weld	50	VS10-10-02-00	1	Power Unit Bracket
8	VS10-50-08	1	Idler Side Hydraulic Hose	51	31368-19	1	Power Unit
9	VS10-50-07	1	Hydraulic Union	52	31060	1	1/2" Romex Connector
10	VS10-40-02-00	1	Idler Side (Outer) Overhead Weld	53	VS10-50-10	1	Hydraulic Elbow (Power Unit)
11	VS10-40-17	4	M12 x 25 HHCS	54	VS10-50-05	1	Power Unit Hydraulic Hose
12	VS10-40-01-00	1	Power Side (Inner) Overhead Weld	55	VS10-50-06	1	Hydraulic Tee
13	VS10-40-20	4	M6 x 25 HHCS	56	VS10-32-00	2	Front Arm Assy. (Items 64, 65, 69, 70, 76, 77, 78, 85)
14	VS10-10-18	4	Lock Release Cable Guide	57	VS10-10-09	2	Rear Access Cover
15	VS10-40-04	6	Synchronizing Sheave	58	VS10-31-00	2	Rear Arm Assy. (63, 64, 65, 66, 67, 69, 70, 71, 85)
16	VS10-40-05	2	Sheave Spacer, Power Side (8mm)	59	VS10-35-01	4	Rubber Insert
17	VS10-35-06	8/12	Sheave Spacer, Idler Side (12mm) 25mm Snap Ring (Symmetric / Asymmetric)	60	VS10-35-05	8	M6 Locknut
18	VS10-40-08	2	Overhead Sheave Axle (Symmetric)	61	VS10-35-02-00	4	Foot Pad
19	VS10-40-21	1	Limit Switch Bracket		VS10-35-04	4	Intermediate Threaded Insert
20	VS10-40-18	2	M5 x 12 Phillips Pan Head Screw	62	X10-068	8	45mm Retaining Ring
21	VS10-40-19	2	M5 Hex Nut		VS10-35-03	4	Threaded Insert
22	A1157	1	3/8-16 x 2 1/2 Hex Flange Head Capscrew	63	VS10-35-08	4	60mm Retaining Ring
23	A1154	1	3/8-16 Hex Flange Nut	64	VS10-31-02-00	2	Rear Male Arm
24	36027	1	Mercury Switch	65	VS10-31-05	6	Stop Plate
25	VS10-40-07	1	Shutoff Bar	66	VS10-31-08	24	M8 x 12 Flat Head Screw Grade 10.8
26	VS10-40-03	1	Shutoff Pivot Pin	67	VS10-31-03	2	Rubber Pad (Rear Female Arm)
27	VS10-20-11	6	3mm x 26mm Cotter Pin	68	VS10-31-06	8	M5 x 8 Flat Head Screw
					VS10-33-A	4	Arm Pin

28	VS10-40-12	4	Overhead Sheave Axle (Asymmetric)	69	X10-077	12	M10 x 25 Allen Head Bolt
29	VS10-40-10	1	Overhead Mounting Bracket (Power Side)	70	VS10-31-04	4	Arm Restraint Gear (Large)
	VS10-40-11	1	Overhead Mounting Bracket (Idler Side)	71	VS10-31-01-00	2	Rear Female Arm Weld
30	VS10-40-22	6	M10 x 20 HHCS	72	VS10-20-03	4	Arm restraint Geat (Small)
31	X10-074	6	10mm Lock Washer		VS10-20-10	4	5mm x 40mm Roll Pin
32	X10-073	18	10mm Flat Washer	73	VS10-20-05	4	Arm Restraint Spring
33	VS10-50-03	1	Power Side Hydraulic Hose	74	VS10-20-06-02	4	Arm Restraint Shaft
	VS10-50-04	1	Power Cylinder Hydraulic Hose	75	VS10-20-06-01	4	Pull Ring (Arm Restraint)
	VS10-10-01-00						
34	00	1	Power Column Weld	76	VS10-32-01-00	2	Front Female Arm Weld
35	VS10-10-11	2	Lock Shaft	77	VS10-32-02-00	2	Front Intermediate Arm Weld
	VS10-10-13-00						
36	00	1	Cable Clamp	78	VS10-32-03-00	2	Front Male Arm Weld
37	VS10-10-21	1	Lock Release Cable	79	VS10-20-09	8	Nylon Screw
38	VS10-10-16	2	Lock Spring (Cam)	80	VS10-20-02	2	Door Guard
39	VS10-10-15	2	Lock Spring (Pawl)	81	VS10-20-01-00	2	Carriage
40	VS10-10-22	1	Lock Release Knob	82	VS10-20-04	16	Slide Block
41	VS10-10-10	1	Lock Release Stud	83	VS10-50-01-00	2	Hydraulic Cylinder
	VS10-10-03-00						
42	00	1	Lock Release Cam (Power Side)	84	VS10-50-04-00-A	2	Flow Control Valve
	VS10-11-03-00						
		1	Lock Release Cam (Idler Side)	Items Not Identified			
43	VS10-10-05	2	Lock Pawl		VS10-10-06	2	Synchronizing Cable
	VS10-10-17	2	Lock Pawl Pad		VS10-10-12	2	Narrow Setting Cable Spacer
	X10-027	1	6mm x 40mm Roll Pin		VS10-10-19	1	Asymmetric Setting Cable Spacer
44	VS10-10-23	4	Spacer		VS10-10-20	6	Hose Guard

IMPORTANT

Replace all worn or broken parts with **genuine Challenger Lifts, Inc. parts.**

PANZITTA SALES & SERVICE
72 George Avenue
Wilkes-Barre, PA 18705
570-822-6720 800-822-6720
www.panzittasales.com