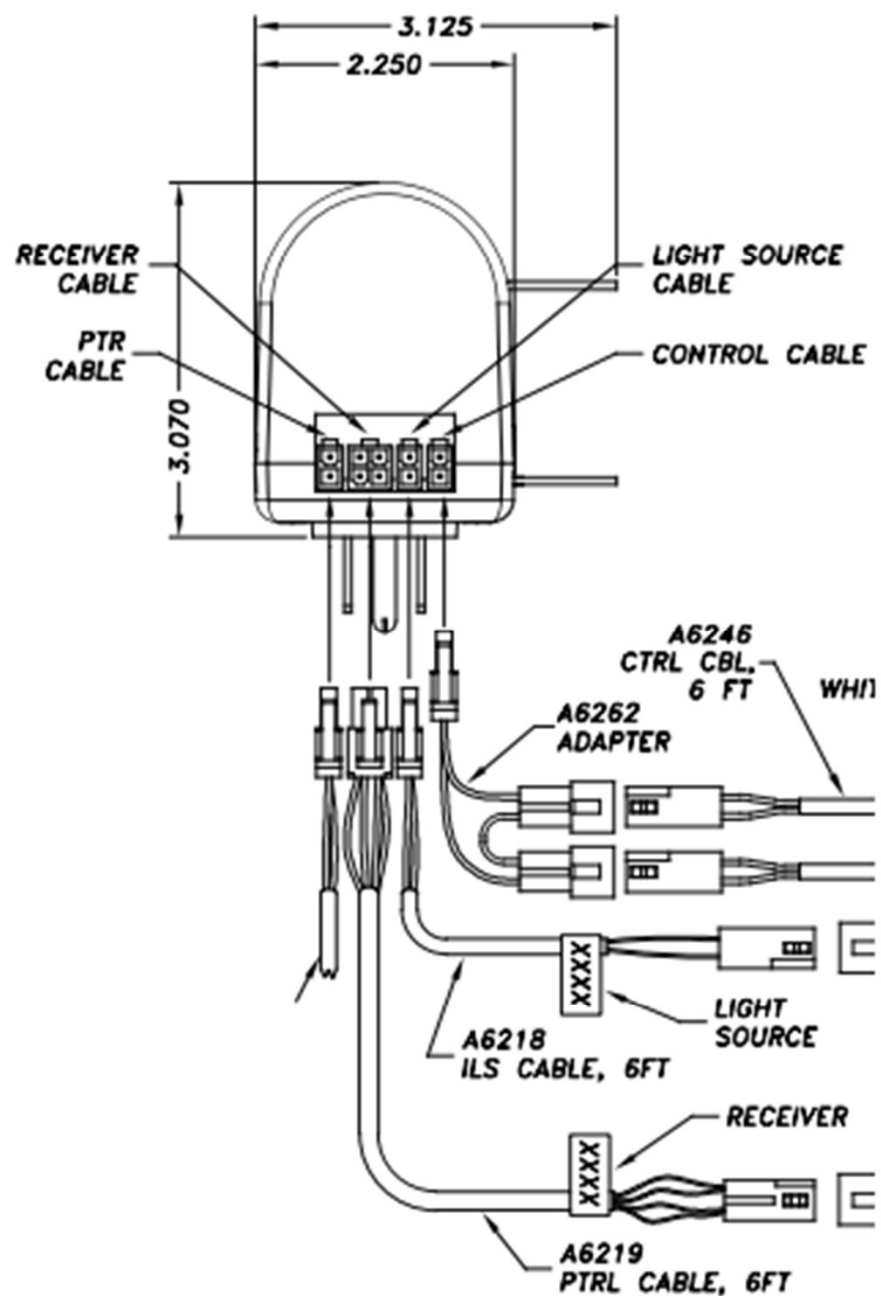
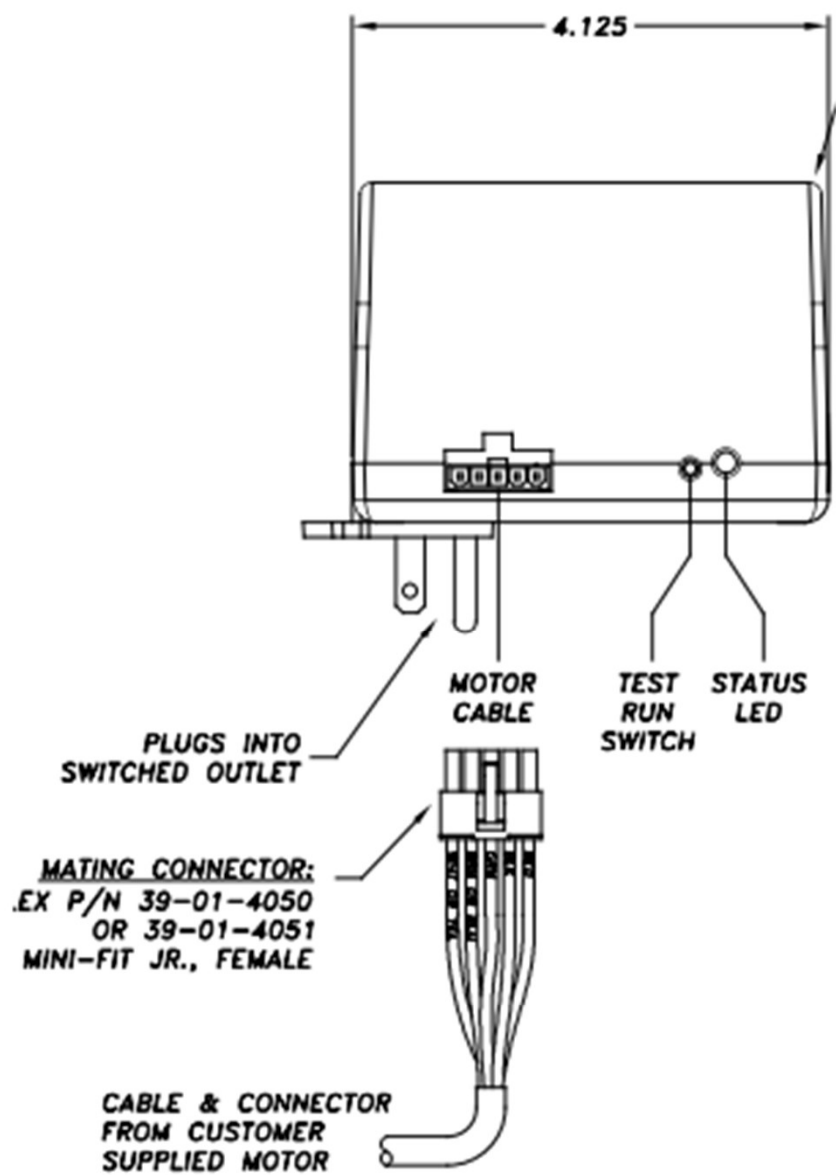


First Mate Control Module Trouble Shooting Guide





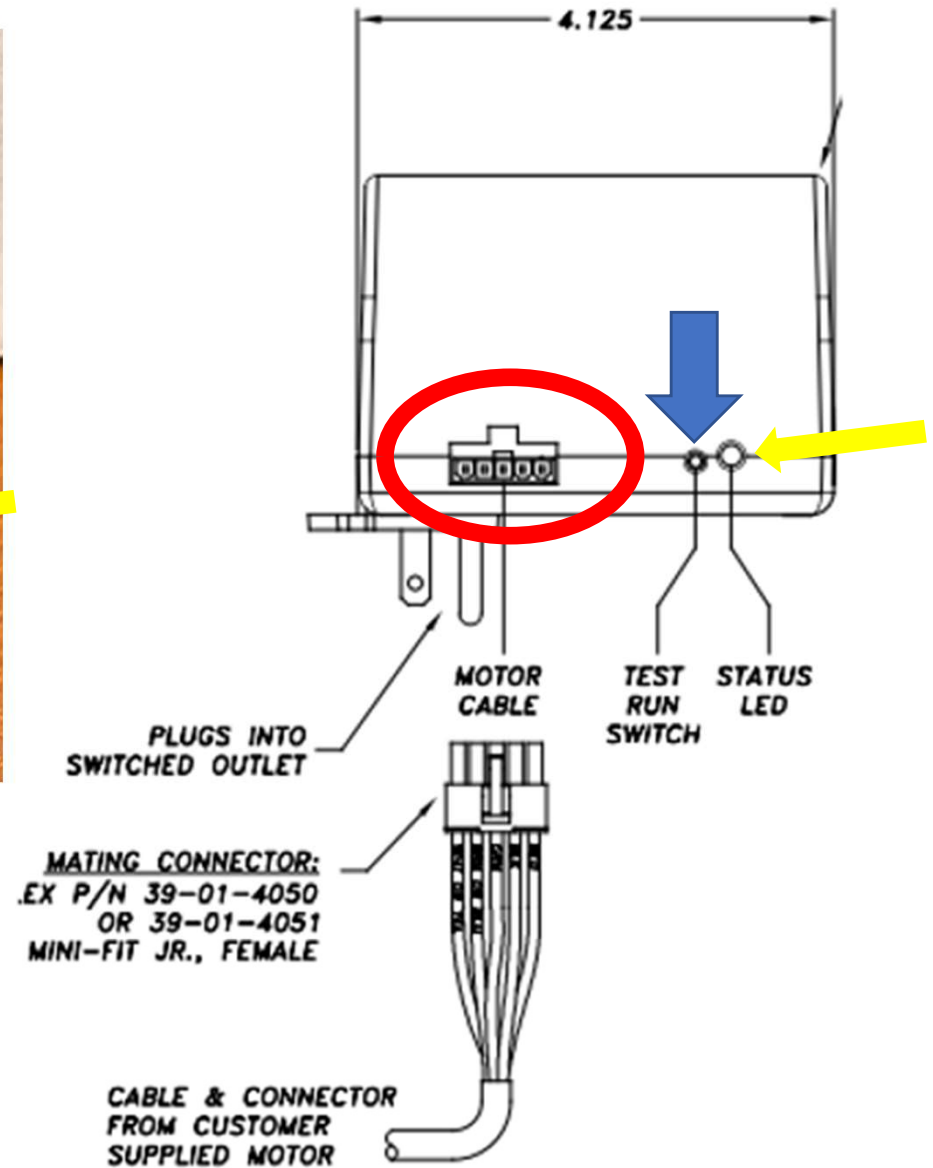


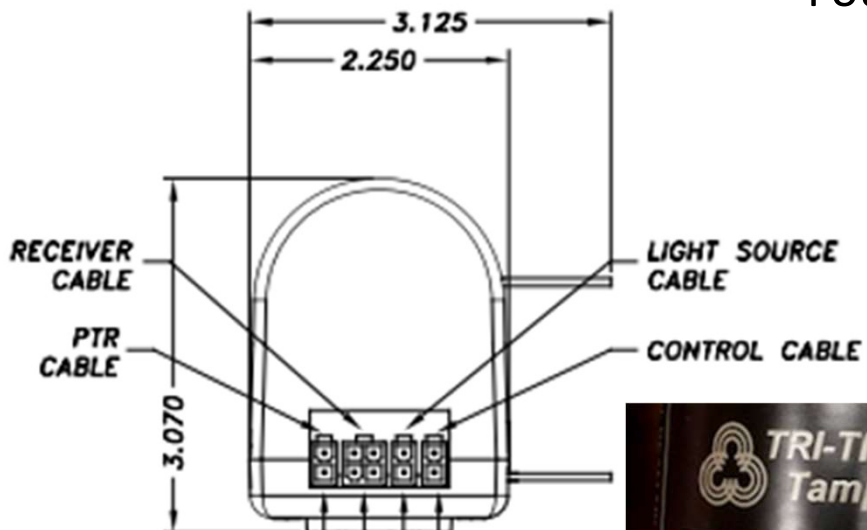
First Mate Control Module Side and Bottom View



First Mate Control Module Side View

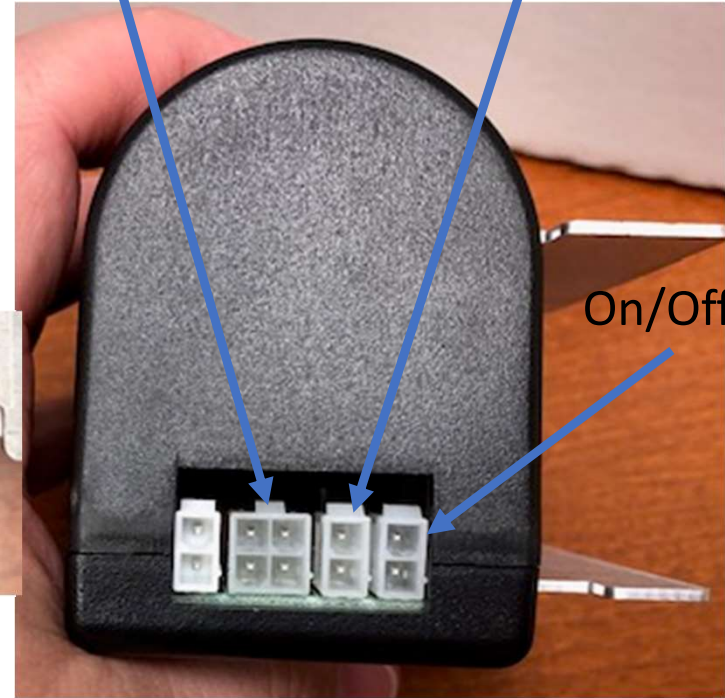
Showing location of Motor Connection, Test Run Button & LED Status Light



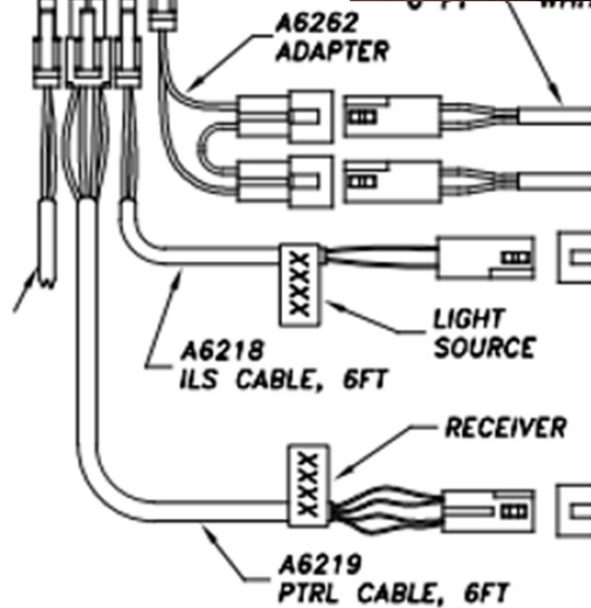


Four Wire Photo Eye

Two Wire Photo Eye



On/Off Switch



First Mate Control Module Bottom View

Showing four connections (left to right);
Additional Power Switch (Not Used in Wal-Mart Applications)

Four Wire Photo Eye

Two Wire Photo Eye

On/Off Switch