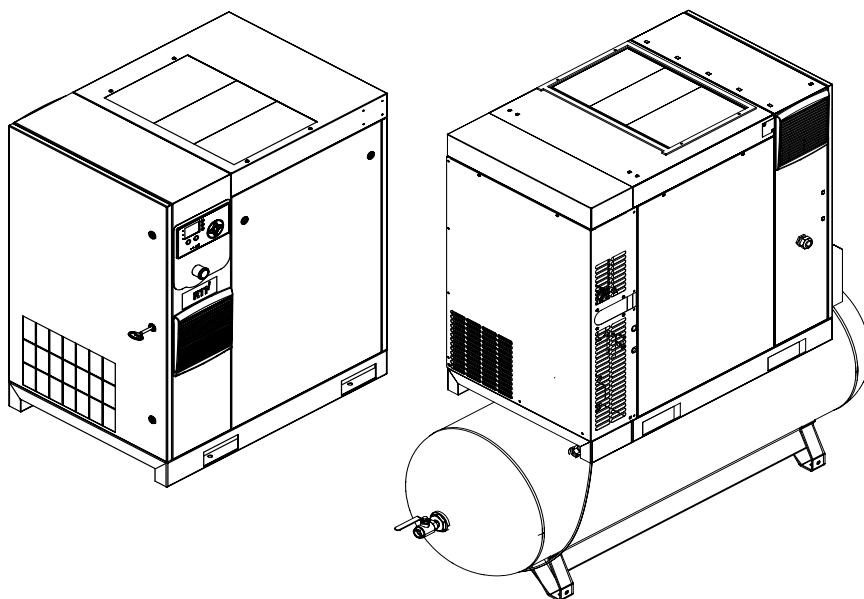




Contact-Cooled Rotary Screw Air Compressor

R4i, R5.5i, R5.5ie, R5.5n, R7.5i, R7.5n, R11i, R11n



Parts Information



Save These Instructions



Only allow **Ingersoll Rand** trained Technicians to perform maintenance on this product. For additional information contact **Ingersoll Rand** factory or nearest Distributor.

The use of other than genuine **Ingersoll Rand** replacement parts may result in safety hazards, decreased performance and increased maintenance and may invalidate all warranties.

Refer all communications to the nearest **Ingersoll Rand** Office or Distributor.

TABLE OF CONTENTS

ABOUT THIS MANUAL	5
PARTS ORDERING INFORMATION	5
ENCLOSURE ASSEMBLY DRAWING	6
ENCLOSURE PARTS LIST	7
ENCLOSURE - OUTDOOR MODIFICATION ASSEMBLY DRAWING	8
ENCLOSURE - OUTDOOR MODIFICATION PARTS LIST	9
MOTOR ASSEMBLY DRAWING	10
MOTOR PARTS LIST	11
AIREND ASSEMBLY DRAWING	12
AIREND PARTS LIST	13
BELT DRIVE ASSEMBLY DRAWING AND PARTS LIST	14
COOLER ASSEMBLY DRAWING AND PARTS LIST	15
COOLER ASSEMBLY DRAWING AND PARTS LIST	16
RECEIVER (W/O DRYER) ASSEMBLY DRAWING	18
RECEIVER (W/O DRYER) PARTS LIST	19
DRYER (W/ RECEIVER) ASSEMBLY DRAWING	20
DRYER (W/ RECEIVER) PARTS LIST	21
DRYER (W/O RECEIVER) ASSEMBLY DRAWING	22
DRYER (W/O RECEIVER) PARTS LIST	23
W/O DRYER & RECEIVER ASSEMBLY DRAWING	24
W/O DRYER & RECEIVER PARTS LIST	25
AUTOMATIC CONDENSATE DRAIN VALVE ASSEMBLY DRAWING	26
AUTOMATIC CONDENSATE DRAIN VALVE PARTS LIST	27
CONTROLS ASSEMBLY DRAWING AND PARTS LIST	28
FILTER ASSEMBLY DRAWING AND PARTS LIST	29
DRYER ASSEMBLY DRAWING	30
DRYER PARTS LIST	31
DRYER ELECTRICAL CONNECTION - 208V, 60 HZ ASSEMBLY DRAWING	32
DRYER ELECTRICAL CONNECTION - 208V, 60 HZ PARTS LIST	33
DRYER ELECTRICAL CONNECTION - 220V, 60 HZ ASSEMBLY DRAWING	34
DRYER ELECTRICAL CONNECTION - 220V, 60 HZ PARTS LIST	35
DRYER ELECTRICAL CONNECTION - 230V, 60 HZ ASSEMBLY DRAWING	36
DRYER ELECTRICAL CONNECTION - 230V, 60 HZ PARTS LIST	37
DRYER ELECTRICAL CONNECTION - 380/440V, 60 HZ ASSEMBLY DRAWING	38
DRYER ELECTRICAL CONNECTION - 380/440V, 60 HZ PARTS LIST	39
DRYER ELECTRICAL CONNECTION - 460V, 60 HZ ASSEMBLY DRAWING	40
DRYER ELECTRICAL CONNECTION - 460V, 60 HZ PARTS LIST	41
DRYER ELECTRICAL CONNECTION - 575V, 60 HZ ASSEMBLY DRAWING	42
DRYER ELECTRICAL CONNECTION - 575V, 60 HZ PARTS LIST	43
DRYER ELECTRICAL CONNECTION - TRI-VOLTAGE 60 HZ ASSEMBLY DRAWING	44
DRYER ELECTRICAL CONNECTION - TRI-VOLTAGE, 60 HZ PARTS LIST	45
DRYER ELECTRICAL CONNECTION - 230V & 400V/ 50 HZ ASSEMBLY DRAWING	46
DRYER ELECTRICAL CONNECTION - 230V & 400V/ 50 HZ PARTS LIST	47
STARTER (XE-50M) ASSEMBLY DRAWING	48
STARTER (XE-50M) PARTS LIST	49
BACKPANEL - 15 HP, 208-230/460V, 50/60 HZ, S/D - XE-50M	50
BACKPANEL - 5.5 KW, 400V, 50/60 HZ, S/D - XE-50M	51

TABLE OF CONTENTS

BACKPANEL - 7.5 KW, 400V, 50/60 HZ, S/D - XE-50M	52
BACKPANEL - 11 KW, 400V, 50/60 HZ, S/D - XE-50M.....	53
BACKPANEL - 5.5 KW, 230V, 50/60 HZ, S/D - XE-50M	54
BACKPANEL - 7.5 KW, 230V, 50/60 HZ, S/D - XE-50M	55
BACKPANEL - 11 KW, 230V, 50/60 HZ, S/D - XE-50M.....	56
BACKPANEL - 10 HP, 208-230/460V, 50/60 HZ, S/D - XE-50M.....	57
BACKPANEL - 7.5 HP, 208-230/460V, 50/60 HZ, S/D - XE-50M	58
BACKPANEL - 5/7.5 HP, 1PH 208/230V, 60 HZ, DOL - XE-50M	59
BACKPANEL - 7.5 HP, 575V, 50/60 HZ, S/D - XE-50M.....	60
BACKPANEL - 10 HP, 575V, 50/60 HZ, S/D - XE-50M	61
BACKPANEL - 15 HP, 575V, 50/60 HZ, S/D - XE-50M	62
BACKPANEL - 7.5/10 HP, 380/440V, 50/60 HZ, S/D - XE-50M	63
BACKPANEL - 15 HP, 380V, 50/60 HZ, S/D - XE-50M	64
BACKPANEL - 7.5/10 HP, 220V, 50/60 HZ, S/D - XE-50M.....	65
BACKPANEL - 15 HP, 220V, 50/60 HZ, S/D - XE-50M	66
BACKPANEL - 5 HP, 208-230/460V, 50/60 HZ, DOL - XE-50M	67
BACKPANEL - 5 HP, 575V, 50/60 HZ, DOL, XE-50M	68
PORO OPTION - FIXED SPEED DRIVE ASSEMBLY DRAWING AND PARTS LIST	69
STARTER - FIXED SPEED DRIVE (XE-70M) ASSEMBLY DRAWING.....	70
STARTER - FIXED SPEED DRIVE (XE-70M) PARTS LIST.....	71
BACKPANEL - 5.5 KW, 400V, 50/60 HZ, S/D - XE-70M	72
BACKPANEL - 7.5 KW, 400V, 50/60 HZ, S/D - XE-70M	73
BACKPANEL - 11 KW, 400V, 50/60 HZ, S/D - XE-70M.....	74
BACKPANEL - 5.5 KW, 230V, 50/60 HZ, S/D - XE-70M	75
BACKPANEL - 7.5 KW, 230V, 50/60 HZ, S/D - XE-70M	76
BACKPANEL - 11 KW, 230V, 50/60 HZ, S/D - XE-70M.....	77
BACKPANEL 7.5 HP, 208-230/460V, 50/60 HZ, S/D - XE-70M	78
BACKPANEL 10 HP, 208-230/460V, 50/60 HZ, S/D - XE-70M.....	79
BACKPANEL 7.5 HP, 575V, 50/60 HZ, S/D - XE-70M.....	80
BACKPANEL 15 HP, 208-230/460V, 50/60 HZ, S/D - XE-70M.....	81
BACKPANEL 10 HP, 575V, 50/60 HZ, S/D - XE-70M	82
BACKPANEL 15 HP, 575V, 50/60 HZ, S/D - XE-70M	83
STARTER - VARIABLE SPEED DRIVE (XE-70M) ASSEMBLY DRAWING	84
STARTER - VARIABLE SPEED DRIVE (XE-70M) PARTS LIST	85
BACKPANEL 5.5 KW, 400V, 50/60 HZ, VSD, RFI - XE-70M	86
BACKPANEL 7.5/11 KW, 400V, 50/60 HZ, VSD, RFI - XE-70M	87
BACKPANEL - 5.5 KW, 400V, 50/60 HZ, VSD NON RFI - XE-70M.....	88
BACKPANEL - 7.5/11 KW, 400V, 50/60 HZ, VSD, NON RFI - XE-70M	89
BACKPANEL 5.5 KW, 230V, 50/60 HZ, VSD RFI - XE-70M	90
BACKPANEL 7.5 KW, 230V, 50/60 HZ, VSD RFI - XE-70M	91
BACKPANEL - 11 KW, 230V, 50/60 HZ, VSD RFI - XE-70M	92
BACKPANEL - 7.5 HP, 208/230V, 60 HZ, VSD - XE-70M	93
BACKPANEL - 7.5 HP, 460V, 60 HZ, VSD - XE-70M	94
BACKPANEL - 10 HP, 208/230V, 60 HZ, VSD - XE-70M	95
BACKPANEL - 10/15 HP, 460V, 60 HZ, VSD - XE-70M.....	96
BACKPANEL - 15 HP, 208V, 60 HZ, VSD - XE-70M.....	97
BACKPANEL - 15 HP, 230V, 60 HZ, VSD - XE-70M.....	98
BACKPANEL - 7.5 HP, 575V, 60 HZ, VSD - XE-70M	99
BACKPANEL - 10/15 HP, 575V, 60 HZ, VSD - XE-70M.....	100
BACKPANEL - 7.5 HP, 380/440V, 60 HZ, VSD - XE-70M	101
BACKPANEL - 10/15 HP, 380/440V, 60 HZ, VSD - XE-70M	102
BACKPANEL - 7.5/10 HP, 220V, 60 HZ, VSD - XE-70M	103

TABLE OF CONTENTS

BACKPANEL - 15 HP, 220V, 60 HZ, VSD - XE-70M.....	104
BACKPANEL - 7.5 KW, 230V, 50/60 HZ, VSD NON RFI - XE-70M.....	105
BACKPANEL - 5.5 KW, 230V, 50/60 HZ, VSD NON RFI - XE-70M.....	106
BACKPANEL - 11 KW, 230V, 50/60 HZ, VSD NON RFI - XE-70M	107
PORO OPTION - VARIABLE SPEED - SMALL DRIVE ASSEMBLY DRAWING AND PARTS LIST	108
PORO OPTION - VARIABLE SPEED - LARGE DRIVE ASSEMBLY DRAWING AND PARTS LIST	109
FROST PROTECTION -10 °C, 230V (OPTION) ASSEMBLY DRAWING AND PARTS LIST.....	110
FROST PROTECTION -10 °C, 400V (OPTION) ASSEMBLY DRAWING AND PARTS LIST.....	111
FIXED SPEED DRIVE CABLES - W/O RECEIVER & DRYER ASSEMBLY DRAWING.....	112
FIXED SPEED DRIVE CABLES - W/O RECEIVER & DRYER PARTS LIST	113
FIXED SPEED DRIVE CABLES - W/ RECEIVER & DRYER ASSEMBLY DRAWING	114
FIXED SPEED DRIVE CABLES - W/ RECEIVER & DRYER PARTS LIST	115
FIXED SPEED DRIVE CABLES - W/O RECEIVER & W/ DRYER ASSEMBLY DRAWING.....	116
FIXED SPEED DRIVE CABLES - W/O RECEIVER & W/ DRYER PARTS LIST	117
FIXED SPEED DRIVE CABLES - W/ RECEIVER & W/O DRYER ASSEMBLY DRAWING.....	118
FIXED SPEED DRIVE CABLES - W/ RECEIVER & W/O DRYER PARTS LIST	119
VSD DRIVE CABLES - W/O RECEIVER & DRYER ASSEMBLY DRAWING	120
VSD DRIVE CABLES - W/O RECEIVER & DRYER ASSEMBLY PARTS LIST	121
VSD DRIVE CABLES - W/ RECEIVER & DRYER ASSEMBLY DRAWING	122
VSD DRIVE CABLES - W/ RECEIVER & DRYER ASSEMBLY PARTS LIST.....	123
VSD DRIVE CABLES - W/O RECEIVER & W/ DRYER ASSEMBLY DRAWING	124
VSD DRIVE CABLES - W/O RECEIVER & W/ DRYER ASSEMBLY PARTS LIST	125
VSD DRIVE CABLES - W/ RECEIVER & W/O DRYER ASSEMBLY DRAWING	126
VSD DRIVE CABLES - W/ RECEIVER & W/O DRYER ASSEMBLY PARTS LIST	127
DECALS DRAWING	128
DECALS PARTS LIST	129
RECOMMENDED PARTS LIST	130

ABOUT THIS MANUAL

The purpose of this manual is to provide maintenance and troubleshooting guidelines for the compressor.

For supporting documentation refer to Table 1.

Table 1: Product Manuals

Publication	Product	Part/Document Number by Region		
		Americas	EMEA *	Asia Pacific
Safety Information Manual	R4-160kW	80446313	80446156	80446321
Maintenance Information Manual	R4-11kW	80448517	80448525	80448533
Product Information Manual	R4-11kW	80448483	80448491	80448509
Parts Information Manual	R4-11kW	80448541		

* Europe, Middle East and Africa

Product specification sheets and reference drawings are also available.

PARTS ORDERING INFORMATION

These products are designed and constructed to provide long, trouble-free service. In time it may be necessary to order and install new parts to replace those that have been subjected to wear.

For your convenience and future reference it is recommended that the following information be recorded.

Model Number _____

Serial Number _____

Date Purchased _____

When ordering replacement parts, please specify the following:

1. Complete model number and serial number as it appears on the data (name) plate.
2. Part number(s) and part description as shown in this manual.
3. Quantity required.

NOTICE

- Continuing improvement and advancement of design may cause changes to this equipment which are not included in this manual. Manuals are periodically revised to incorporate changes. Always check the manual edition number on the front cover for the latest issue.
- Sections of this manual may not apply to your product.
- Using other than genuine **Ingersoll Rand** replacement parts may invalidate the warranty.

■ Return Goods Policy

Ingersoll Rand will not accept any returned goods for warranty or service work unless prior arrangements have been made and written authorization has been provided from the location where the goods were purchased.

Products which have been modified without **Ingersoll Rand** approval, mishandled or misused will not be repaired or replaced under warranty. A printed copy of the warranty which applies to this product is provided inside the back cover of this manual.

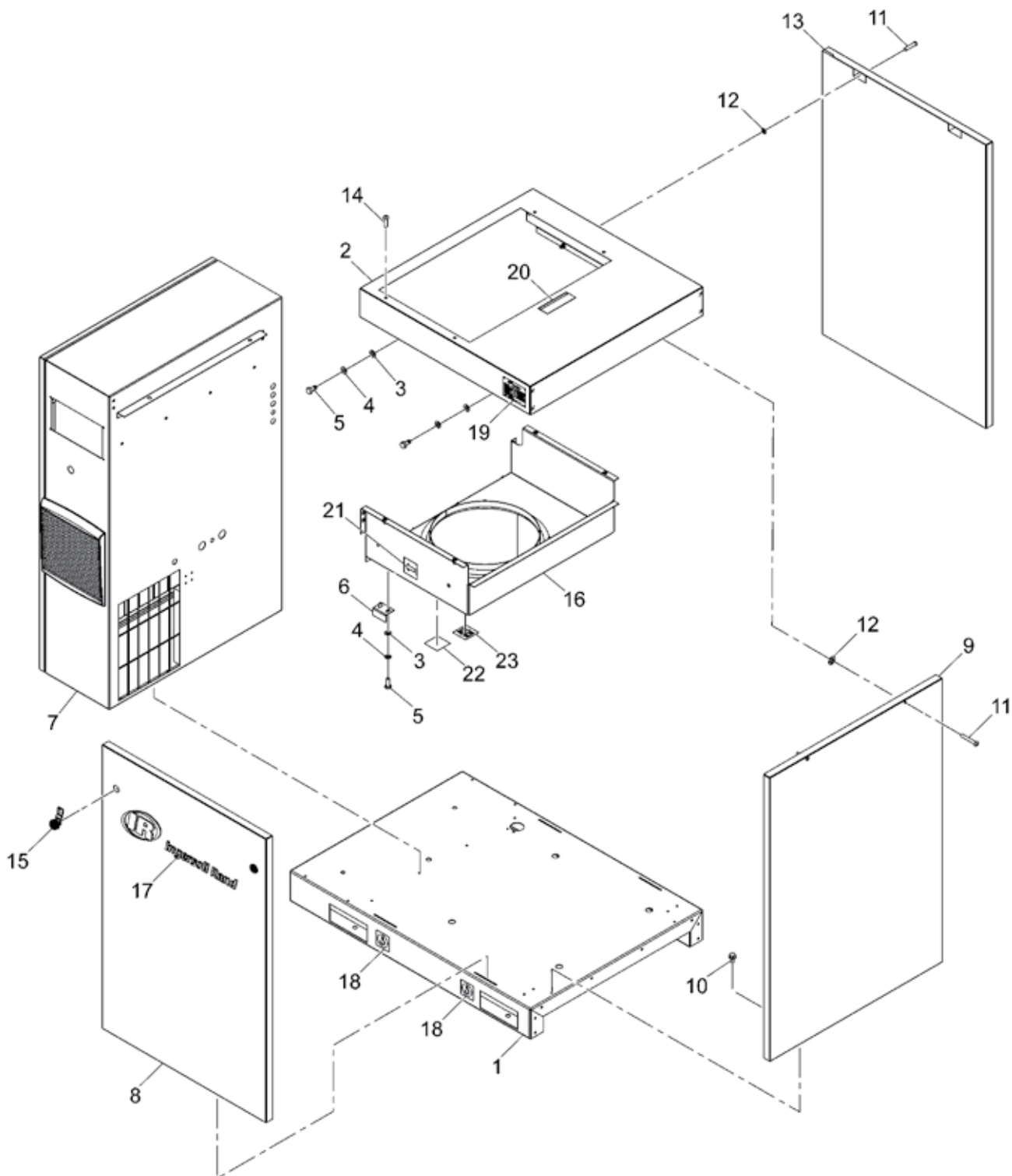
■ Disposal



When the life of the product has expired, it is recommended that it be disassembled, degreased and parts separated as to materials so that they may be recycled.

Refer all communications to the nearest **Ingersoll Rand** Office or Distributor.

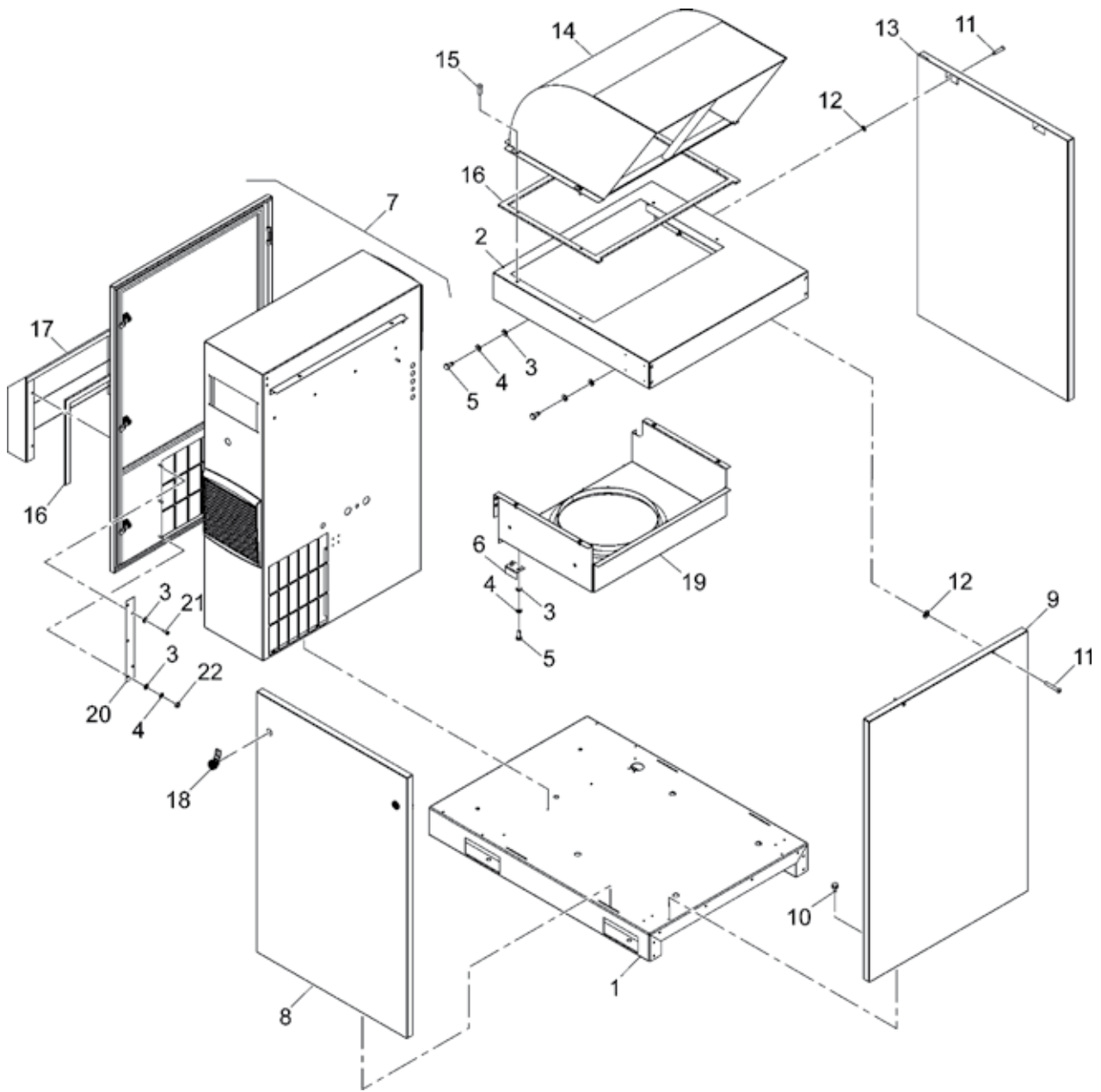
ENCLOSURE ASSEMBLY DRAWING



ENCLOSURE PARTS LIST

Item	Part No.	Qty	Description	Item	Part No.	Qty	Description
1	24345845	1	PLATE, BASE - w/o RECEIVER	11	96763727	4	SCREW, M6 x 40
	47504010001	1	PLATE, BASE - w/ RECEIVER (Europe & Brazil)	12	23523491	4	RETAINER
	47522737001	1	PLATE, BASE - w/ RECEIVER (America only)	13	24066599	1	PANEL, BACK
2	24066490	1	PANEL, TOP	14	96739313	4	SCREW, M6 x 20
	24366403	1	PANEL, TOP (w/ Dryer only)	15	23180565	2	LATCH, DOOR
3	96727581	4	FLATWASHER	16	47499742001	1	SHROUD, AXIAL FAN - 50 Hz
4	96727573	4	LOCKWASHER		47515466001	1	SHROUD, AXIAL FAN - 60 Hz
5	96701958	4	SCREW, M6-1 x 16		47532075001	1	SHROUD, AXIAL FAN - (Canada only)
6	47514479001	1	PLATE, LOCK	17	23038466	1	LOGO, INGERSOLL RAND
7	47498721001	1	STARTER BOX, FSD (Xe-50M)	18	93171262	4	DECAL, LIFT HERE
	24358947	1	STARTER BOX, FSD (Xe-70M)	19	22497390	1	NAMEPLATE - ISO
	47498683001	1	STARTER BOX, VSD (Xe-70M)		-	1	NAMEPLATE - LAN
	47516215001	1	STARTER BOX, VSD (Xe-70M) - America only	20	92867530	1	DECAL, HOT SURFACE - ISO
8	24066540	1	PANEL, FRONT	32343584	1	DECAL, HOT SURFACE - LAN	
9	24066573	1	PANEL, RIGHT (w/o Dryer Option only)	21	93165983	1	DECAL, ARROW
10	92368687	2	SCREW, M6 x 1 x 12	22	92930593	1	DECAL, ELECTRIC SHOCK - ISO
					32343568	1	DECAL, ELECTRIC SHOCK - LAN
				23	93165959	1	DECAL, WARNING

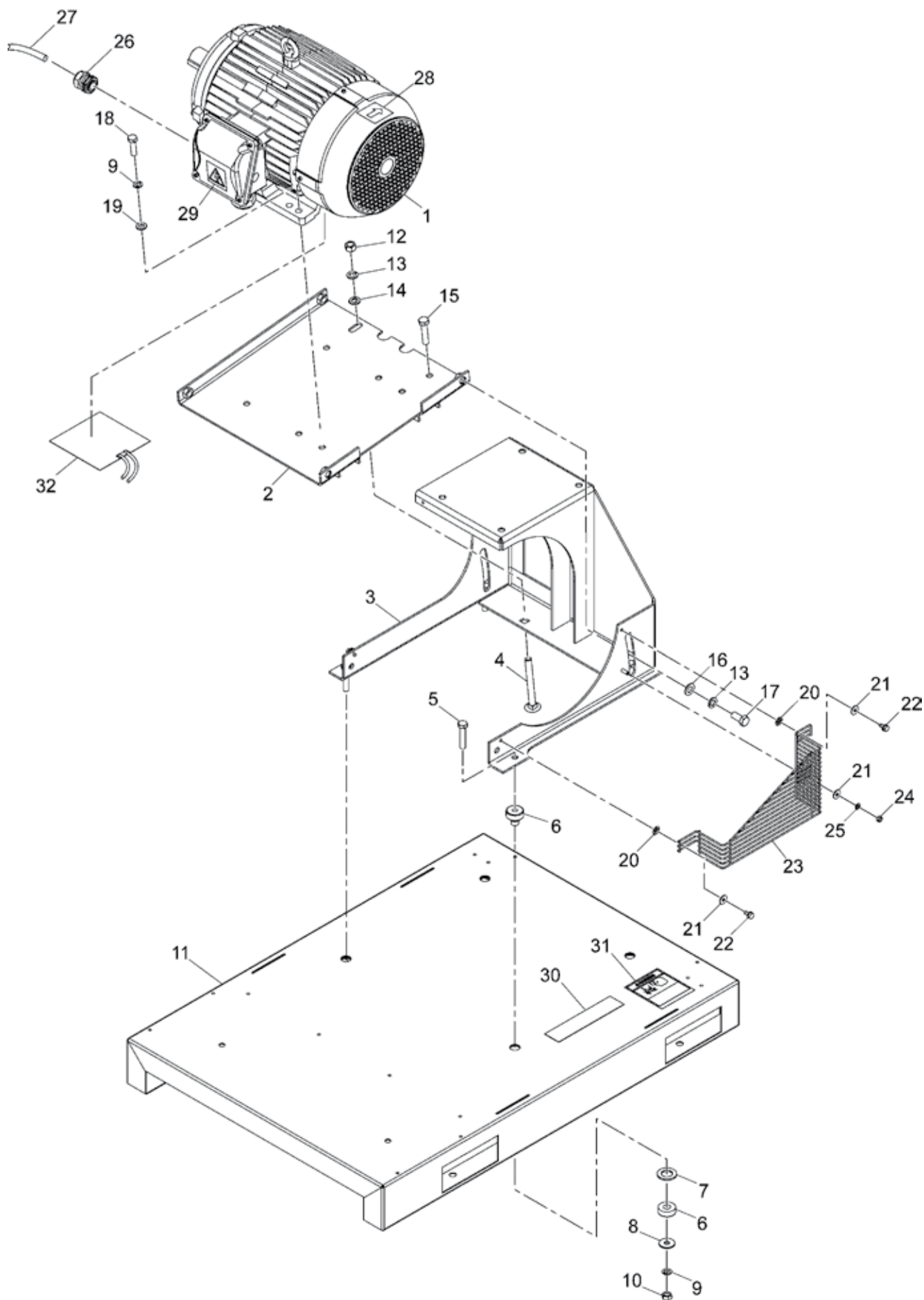
ENCLOSURE - OUTDOOR MODIFICATION ASSEMBLY DRAWING



ENCLOSURE - OUTDOOR MODIFICATION PARTS LIST

Item	Part No.	Qty	Description	Item	Part No.	Qty	Description
1	24345845	1	PLATE, BASE - w/o RECEIVER	10	92368687	2	SCREW, M6 x 1 x 12
	47504010001	1	PLATE, BASE - w/ RECEIVER (Europe & Brazil)	11	96763727	4	SCREW, M6 x 40
	47522737001	1	PLATE, BASE - w/ RECEIVER (America only)	12	23523491	4	RETAINER, 7 mm
2	24066490	1	PANEL, TOP	13	24066599	1	PANEL, BACK
	24366403	1	PANEL, TOP (w/ Dryer only)	14	47524088001	1	CHUTE, EXHAUST HOOD
3	96727581	14	FLATWASHER	15	96739313	4	SCREW, M6 x 20
4	96727573	10	LOCKWASHER	16	35140409	A/R	SEAL, RUBBER STRIP
5	96701958	4	SCREW, M6-1 x 16	17	47537330001	1	PANEL, PACKAGE INTAKE
6	47514479001	1	PLATE, LOCK	18	23180565	2	LATCH, DOOR
7	47498721001	1	STARTER BOX, FSD (Xe-50M)	19	47499742001	1	SHROUD, AXIAL FAN - 50 Hz
	24358947	1	STARTER BOX, FSD (Xe-70M)		47515466001	1	SHROUD, AXIAL FAN - 60 Hz
	47498683001	1	STARTER BOX, VSD (Xe-70M)		47532075001	1	SHROUD, AXIAL FAN - (Canada only)
	47516215001	1	STARTER BOX, VSD (Xe-70M) - America only	20	47537331001	2	MOUNT, INTAKE PANEL
8	24066540	1	PANEL, FRONT	21	96769732	4	SCREW, M6 x 4
9	24066573	1	PANEL, RIGHT (w/o Dryer Option only)	22	96704234	6	NUT, M6-1
				A/R AS REQUIRED			

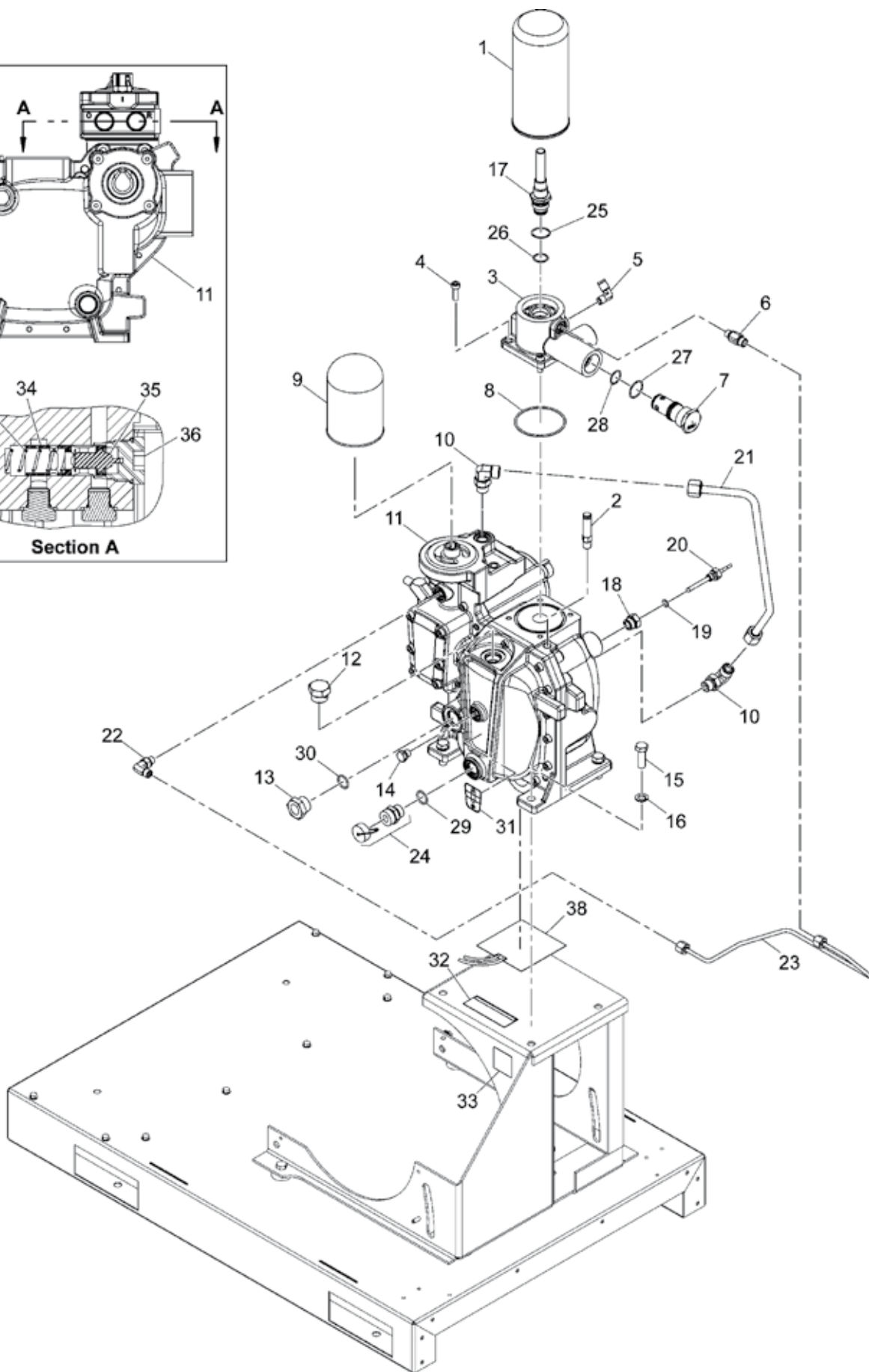
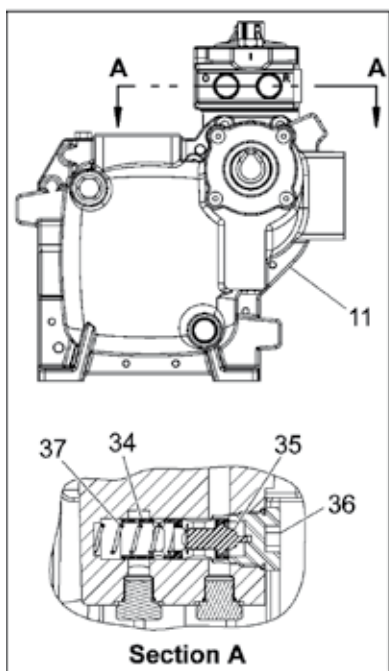
MOTOR ASSEMBLY DRAWING



MOTOR PARTS LIST

Item	Part No.	Qty	Description	Item	Part No.	Qty	Description
1	24359002	1	MOTOR, 5.5 kW, 400V, 50 Hz	15	96722160	1	SCREW M12-1.75 x 100
	24358996	1	MOTOR, 7.5 kW, 400V, 50 Hz	16	92329341	2	FLATWASHER
	24358988	1	MOTOR, 11 kW, 400V, 50 Hz	17	96701495	4	SCREW, M12-1.75 x 25
	47519012001	1	MOTOR, 5.5 kW, 230V, 50 Hz TEFV, IE3	18	96704309	4	SCREW, M10-1.50 x 35
	47519013001	1	MOTOR, 7.5 kW, 230V, 50 Hz TEFV, IE3	19	96714399	4	FLATWASHER
	47519014001	1	MOTOR, 11 kW, 230V, 50 Hz TEFV, IE3	20	23523491	2	RETAINER
	47512485001	1	MOTOR, 7.5 hp, 1PH, 208- 230V, 60 Hz, DOL	21	14084123	3	WASHER, SPECIAL
	47509018001	1	MOTOR, 7.5 hp, 208-230/460V, 60 Hz	22	92368687	2	SCREW, M6 x 1 x 12
	47509019001	1	MOTOR, 10 hp, 208-230/460V, 60 Hz	23	47516265001	1	GUARD, REAR MOTOR - 11 kW
	47509020001	1	MOTOR, 15 hp, 208-230/460V, 60 Hz		47516512001	1	GUARD, REAR MOTOR - 4-7.5 kW
	24359085	1	MOTOR, 7.5 hp, 575V, 60 Hz		47516877001	1	GUARD, REAR MOTOR - 7.5 hp
	24359077	1	MOTOR, 10 hp, 575V, 60 Hz	24	96704234	1	NUT, M6-1
	24359069	1	MOTOR, 15 hp, 575V, 60 Hz	25	96727573	1	LOCKWASHER
	47503401001	1	MOTOR, 7.5 hp, 380V, 60 Hz	26	22376776	1	GLAND, CABLE
	47503400001	1	MOTOR, 10 hp, 380V, 60 Hz		47546099001	1	GLAND, CABLE
	47503399001	1	MOTOR, 15 hp, 380V, 60Hz	27	47519004001	1	CABLE, MOTOR DOL- FS DOL 575V
	47503398001	1	MOTOR, 7.5 hp, 220/440V, 60 Hz		47522822001	1	CABLE, MOTOR DOL- FS DOL 208/230/460V
	47518674001	1	MOTOR, 10 hp, 220/440V, 60 Hz		24547937	1	CABLE, MOTOR - FS 208/230V
	47503397001	1	MOTOR, 15 hp, 220/440V, 60 Hz		47504392001	1	CABLE, MOTOR - FS 380/440V
	2	24066425	1		PLATE, MOTOR FRAME	47519050001	1
47498765001		1	PLATE, MOTOR FRAME		24547929	1	CABLE, MOTOR - FS S/D 208/230/460V, FS - 220V
3	24324089	1	SUPPORT, AIREND MOTOR		47520285001	1	CABLE, MOTOR - FS 230V
4	47524349001	1	SCREW		47499671001	1	CABLE, MOTOR - FS 400V
5	96713367	4	SCREW, M10-1.5 x 50		47499692001	1	CABLE, MOTOR - VSD 400V
6	22355341	4	ASSEMBLY, ISOLATOR		47504383001	1	CABLE, MOTOR - VSD 380/440V
7	96726971	4	FLATWASHER		24547911	1	CABLE, MOTOR - VSD 220V
8	96729645	4	FLATWASHER		47522823001	1	CABLE, MOTOR - VSD 208/230V 60Hz
9	96726633	8	LOCKWASHER		47522824001	1	CABLE, MOTOR - VSD 460/575V
10	96704812	4	NUT, M10-1.50	47520284001	1	CABLE, MOTOR - VSD 230V 50Hz	
11	24345845	1	PLATE, BASE - w/o RECEIVER	28	93165983	1	DECAL, ROTATION
	47504010001	1	PLATE, BASE - w/ RECEIVER	29	92930593	1	DECAL, ELECTRIC SHOCK - ISO
	47522737001	1	PLATE, BASE - w/ RECEIVER (Europe & Brazil only)		32343568	1	DECAL, ELECTRIC SHOCK - LAN
12	96704291	1	NUT, M12-1.75	30	47516565001	1	DECAL, PINCH POINT - ISO
13	96739933	5	LOCKWASHER		22248538	1	DECAL, PINCH POINT - LAN
14	96701412	1	FLATWASHER	31	92930585	1	DECAL, PRESSURIZED VESSEL
					32343527	1	DECAL, HIGH PRESSURE
				32	47532864001	1	HEATER, PILLOW - FROST PROTECTION OPTION ONLY

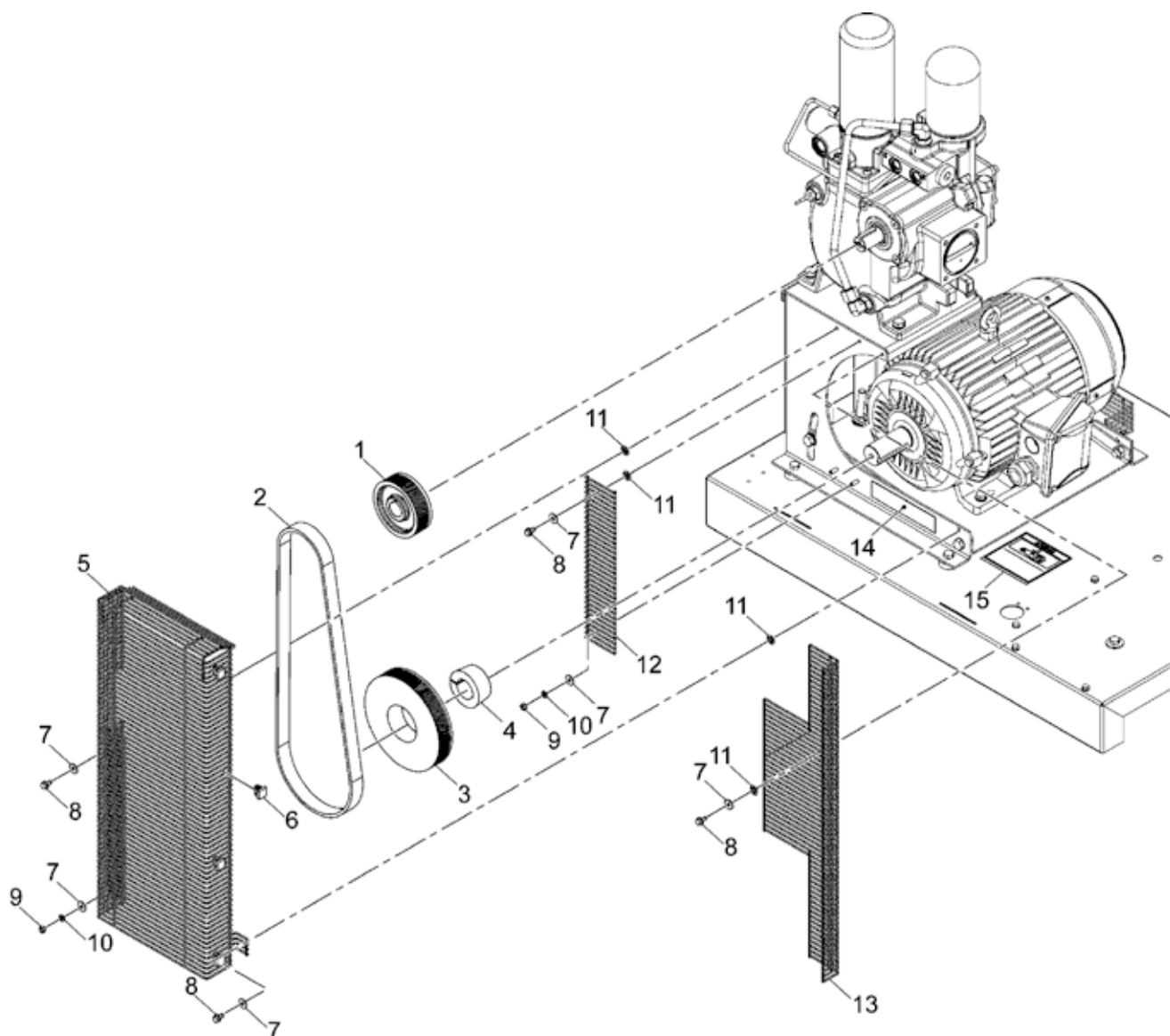
AIREND ASSEMBLY DRAWING



AIREND PARTS LIST

Item	Part No.	Qty	Description	Item	Part No.	Qty	Description
1	24121212	1	ELEMENT, SEPARATOR	23	24045460	1	TUBE, SCAVENGE
2	22401590	1	VALVE, PRESSURE RELIEF - Europe	24	24096901	1	VALVE, COOLANT DRAIN
	22378665	1	VALVE, PRESSURE RELIEF - America	25	95025466	1	O-RING, SEPARATOR STEM, UPPER
3	23996044	1	HOUSING, DISCHARGE	26	95021747	1	O-RING, SEPARATOR STEM, LOWER
4	96708060	4	SCREW, M8 x 25	27	95992293	1	O-RING, VALVE, MPCV
5	54403266	1	ELBOW	28	95985859	1	O-RING, VALVE, MPCV
6	24042665	1	VALVE, CHECK	29	96957162	1	O-RING, DRAIN VALVE
7	23694938	1	VALVE, MPCV	30	96759360	1	O-RING, SIGHT GLASS
8	95022323	1	O-RING	31	47516299001	1	DECAL, SIGHT GLASS
9	39329602	1	ELEMENT, OIL FILTER	32	92867530	1	DECAL, HOT SURFACE - ISO
10	96757653	2	ELBOW		32343584	1	DECAL, HOT SURFACE
11	24603540	1	ASSEMBLY, AIREND	33	93166460	1	DECAL, COOLANT DRAIN
12	39322276	1	PLUG	34	22856991	1	CAGE, THERMAL VALVE
13	39324496	1	SIGHT GLASS	35	22463368	1	ACTUATOR, THERMAL
14	96757000	1	PLUG	36	47516083001	1	PLUG, THERMAL VALVE
15	96702329	4	SCREW, M12-1.75 x 35	37	22186696	1	SPRING, THERMAL VALVE
16	96739933	4	LOCKWASHER	38	47532864001	1	HEATER, PILLOW - FROST PROTECTION OPTION ONLY
17	24153298	1	STEM, SEPARATOR				
18	47502218001	1	BUSHING, REDUCER (Xe-70M)	**	24096984	1	HOSE, DRAIN
19	96759295	1	O-RING				
20	23522246	1	SENSOR, TEMPERATURE (Xe-70M)				
	24255838	1	SENSOR, TEMPERATURE (Xe-50M)				
21	24672966	1	TUBE, OIL PICKUP				
22	96757596	1	ELBOW				
				**	NOT ILLUSTRATED		

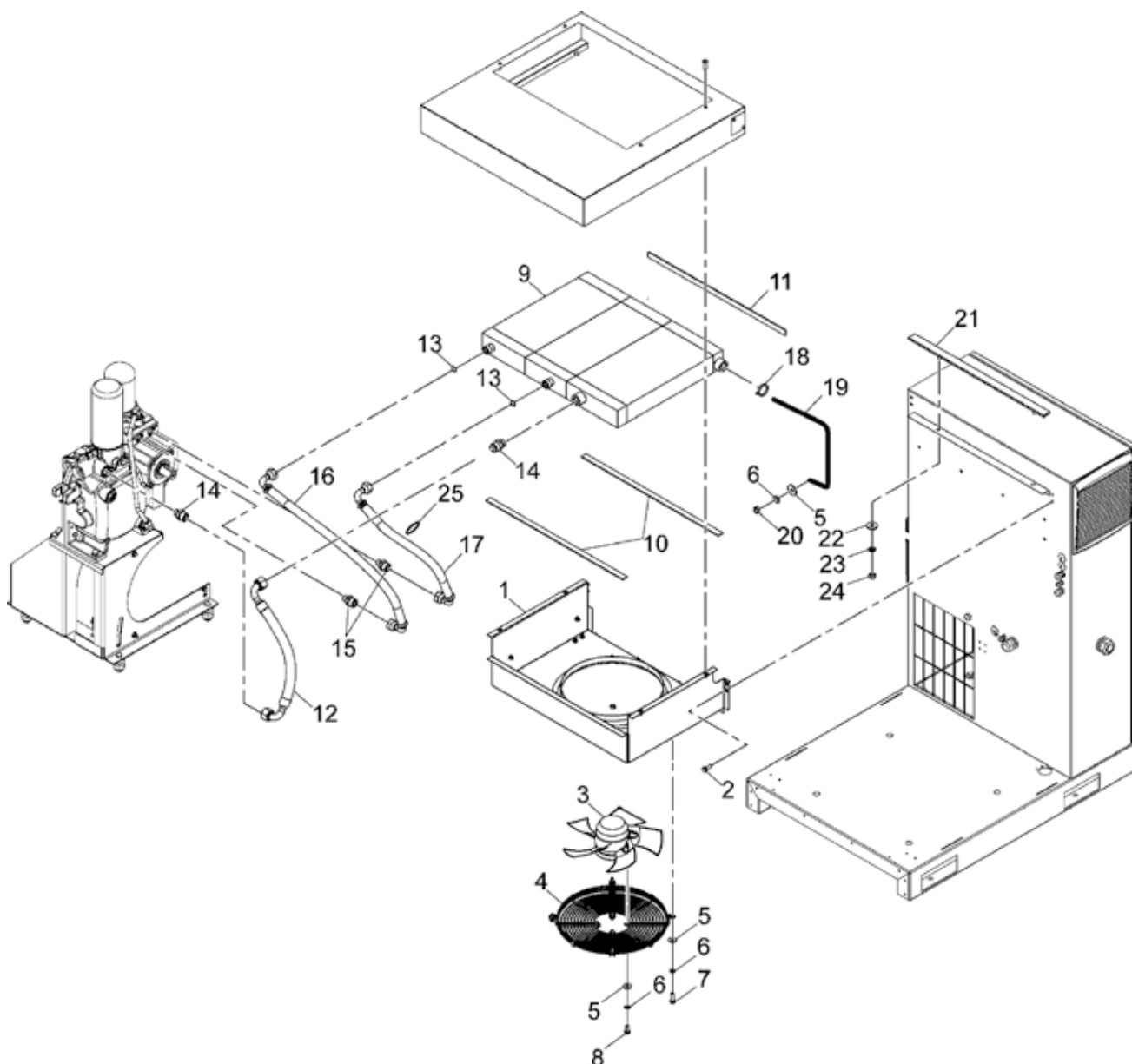
BELT DRIVE ASSEMBLY DRAWING AND PARTS LIST



Item	Part No.	Qty	Description	Item	Part No.	Qty	Description
1	-	1	SHEAVE, AIREND - See note	10	96727573	2	WASHER, LOCK
2	-	1	BELT - See note	11	23523491	4	RETAINER
3	-	1	SHEAVE, MOTOR - See note	12	47520696001	1	GUARD, BELT - SMALL
4	-	1	BUSHING - See note	13	47520697001	1	GUARD, BELT - LARGE
5	24292443	1	GUARD, BELT	14	47516565001	1	DECAL, PINCH POINT - ISO
6	42929885	4	CLIP	14	22248538	1	DECAL, PINCH POINT - LAN
7	14084123	6	WASHER, PLAIN	15	47516566001	1	DECAL, MOVING BELT - ISO
8	92368687	4	SCREW M6 x 1 x 12	15	32343535	1	DECAL, MOVING BELT - LAN
9	96704234	2	NUT M6-1				

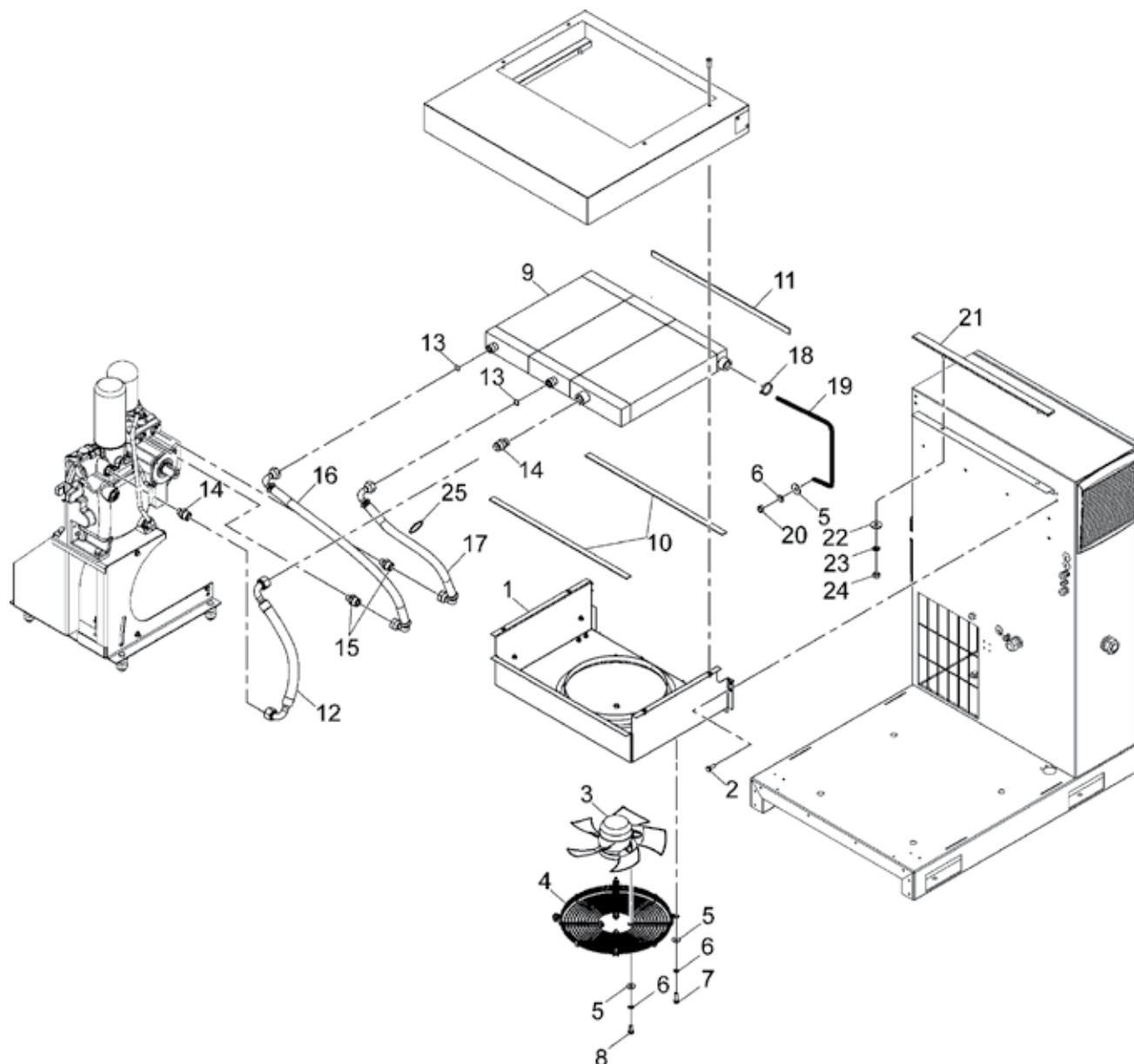
NOTE : Refer to power transmission table in Recommended Parts List section of this manual.

COOLER ASSEMBLY DRAWING AND PARTS LIST



Item	Part No.	Qty	Description	Item	Part No.	Qty	Description
1	47499742001	1	SHROUD, AXIAL FAN - 50 Hz	13	96957105	2	O-RING
	47515466001	1	SHROUD, AXIAL FAN - 60 Hz	14	96762489	2	CONNECTOR
	47532075001	1	SHROUD, AXIAL FAN - Canada	15	96758024	2	CONNECTOR
2	96705058	8	SCREW, M6 x 12	16	24638587	1	HOSE, COOLER IN
3	24364184	1	FAN, AXIAL	17	24638579	1	HOSE, COOLER OUT
4	47499957001	1	GUARD, FAN	18	47532834001	1	CLAMP, GROUND - America
5	14084123	9	WASHER, PLAIN		47533543001	1	CLAMP, GROUND - Europe
6	96727573	11	WASHER, LOCK	19	47532820001	1	WIRE, GROUND - Europe
7	96704564	4	SCREW M6-1 x 20		47532821001	1	WIRE, GROUND - America
8	96701958	4	SCREW M6 x16	20	96704234	1	NUT, M6-1
9	24081648	1	COOLER	21	47532076001	1	SPACER, COOLER - Canada
	47531886001	1	COOLER - Canada	22	96704671	2	WASHER, PLAIN - Canada
10	85038412	1.2 m	GASKET	23	96741467	2	WASHER, LOCK - Canada
11	39249651	0.6 m	GASKET	24	96701370	2	NUT, M8-1.25 - Canada
12	85560712	1	HOSE	25	92281427	2	WRAPBAND

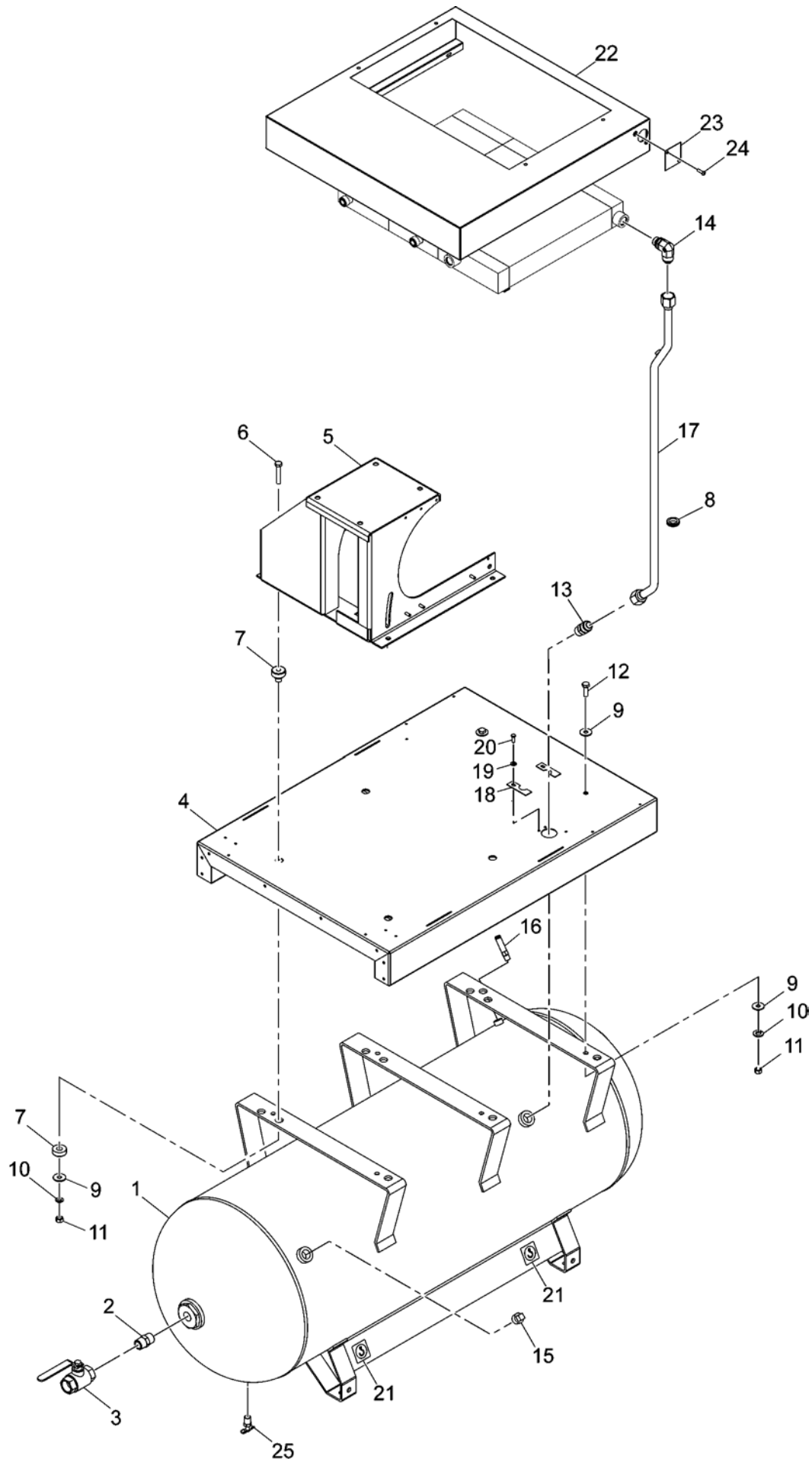
COOLER ASSEMBLY DRAWING AND PARTS LIST



Item	Part No.	Qty	Description	Item	Part No.	Qty	Description
**	39237078	1	CABLE, HEAT TRACE - Frost Protection Option only	**	39497987	A/R	INSULATION - Frost Protection Option only
**	35268788	1	BANDWRAP- Frost Protection Option only				
**	39181037	A/R	INSULATION - Frost Protection Option only				
**	39197546	1	FOIL, ALUMINIUM - Frost Protection Option only	A/R	AS REQUIRED		
				**	NOT ILLUSTRATED		

BLANK PAGE

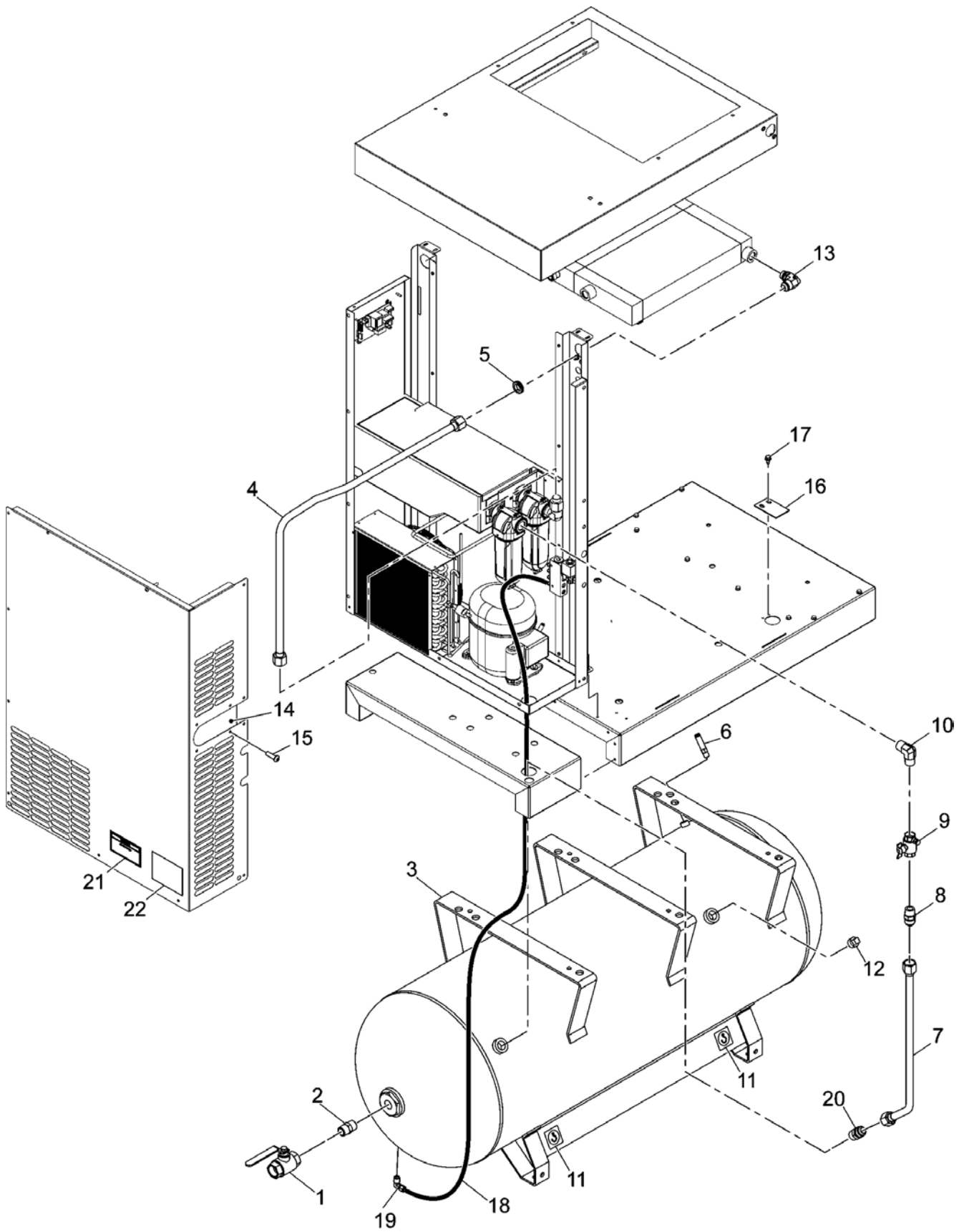
RECEIVER (W/O DRYER) ASSEMBLY DRAWING



RECEIVER (W/O DRYER) PARTS LIST

Item	Part No.	Qty	Description	Item	Part No.	Qty	Description
1	47512353001	1	RECEIVER, 200 Liter - Brazil	12	96701917	2	SCREW, M10-1.50 x 30
	24146953	1	RECEIVER, 272 Liter - Europe	13	95937512	1	CONNECTOR - America
	24146961	1	RECEIVER, 500 Liter - Europe		92106210	1	CONNECTOR - Europe & Brazil
	24491540	1	RECEIVER, 80 Gallon - America (< 200 PSIG)	14	96762380	1	ELBOW - Europe & Brazil
	47529410001	1	RECEIVER, 80 Gallon - America (200 PSIG)		47522766001	1	ELBOW - America
	24491557	1	RECEIVER, 120 Gallon - America (< 200 PSIG)	15	92257369	1	PLUG - Europe & Brazil
	47529412001	1	RECEIVER, 120 Gallon - America (200 PSIG)		95002143	1	PLUG - America
2	92255934	1	CONNECTOR - Europe & Brazil	16	22401590	1	VALVE, RELIEF - Europe and Brazil
	95458808	1	NIPPLE - America & Europe 200 Liter Receiver only		31385693	1	VALVE, RELIEF - America (< 200 PSIG)
3	93179661	1	VALVE, BALL - Europe & Brazil		22052450	1	VALVE, RELIEF - America (200 PSIG)
	32106569	1	VALVE, BALL - America	17	24367948	1	TUBE, COOLER, 500 Liter
4	47504010001	1	PLATE, BASE - Europe & Brazil		24436594	1	TUBE, COOLER, 272 Liter
	47522737001		PLATE, BASE - America		47517853001	1	TUBE, COOLER, 200 Liter
5	24324089	1	SUPPORT, AIREND MOTOR		85560613	1	HOSE, COOLER - America
6	96713367	4	SCREW, M10-1 x 50	18	24368193	2	COVER, TUBE
7	22355341	4	ISOLATOR	19	96727573	2	LOCKWASHER
8	22390132	1	GROMMET	20	96701958	2	SCREW, M6-1 x 16
9	96729645	8	FLATWASHER	21	93171262	4	DECAL, LIFT HERE
10	96726633	6	LOCKWASHER	22	24066490	1	PANEL, TOP
11	96704812	6	NUT, M10-1.5	23	24217150	1	PLATE, COVER DISCHARGE
				24	96739313	2	SCREW, M6 x 20
				25	92258706	1	VALVE, MANUAL DRAIN - Europe & Brazil
					32027120	1	VALVE, MANUAL DRAIN - America

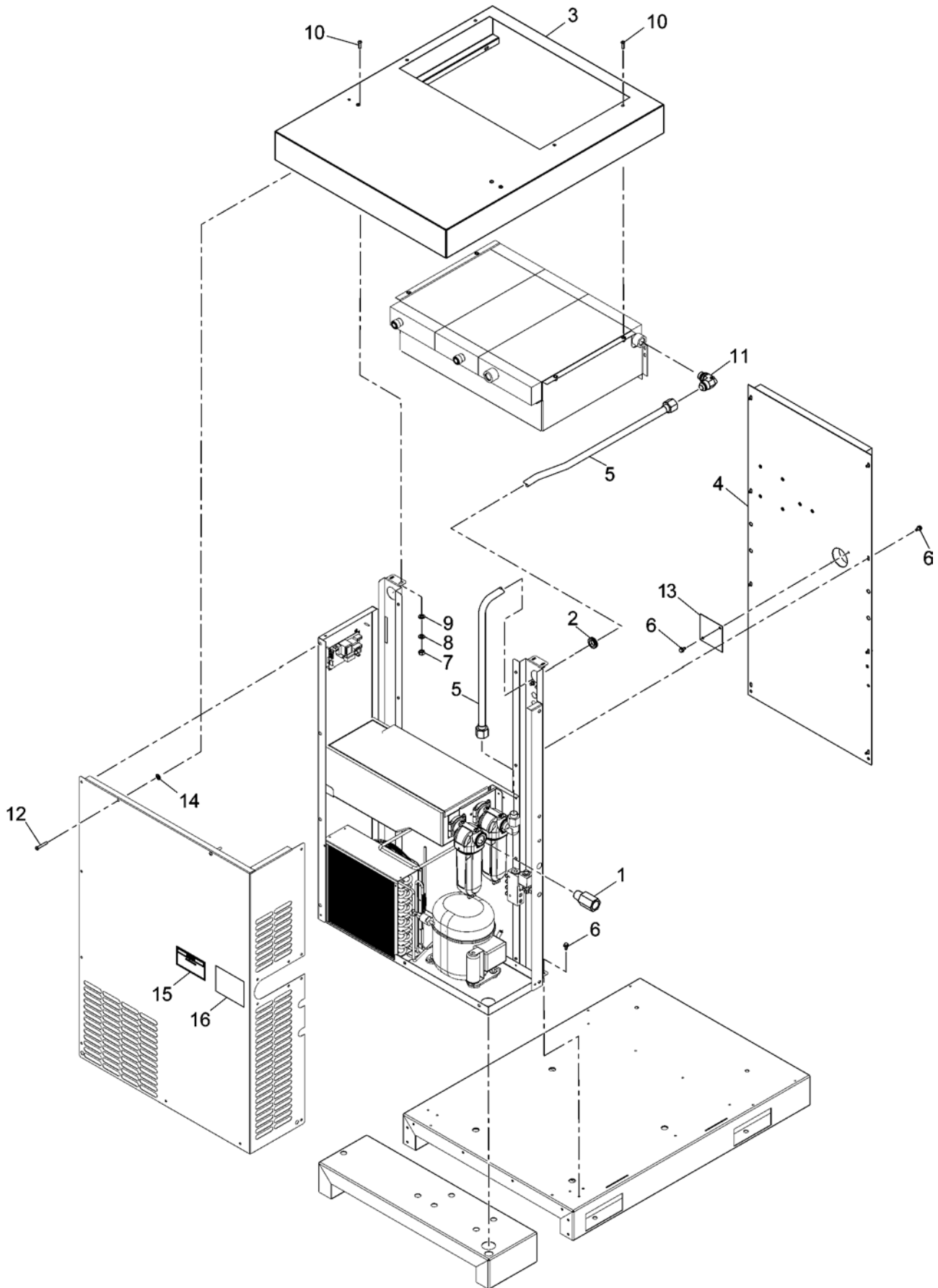
DRYER (W/ RECEIVER) ASSEMBLY DRAWING



DRYER (W/ RECEIVER) PARTS LIST

Item	Part No.	Qty	Description	Item	Part No.	Qty	Description
1	93179661	1	VALVE, BALL - Europe & Brazil	7	47517852001	1	TUBE, COOLER - 200 Liter
	32106569	1	VALVE, BALL - America		85560746	1	HOSE, COOLER - America & Canada
2	92255934	1	CONNECTOR - Europe & Brazil	8	92106210	1	CONNECTOR
	95458808	1	NIPPLE - America	9	47507408001	1	VALVE, BALL
3	24146953	1	RECEIVER, 272 Liter - Europe	10	47522831001	1	ELBOW
	24146961	1	RECEIVER, 500 Liter - Europe	11	93171262	4	DECAL, LIFT HERE
	24491540	1	RECEIVER, 80 Gallon - America (< 200 PSIG)	12	92257369	1	PLUG - Europe & Brazil only
	47529410001	1	RECEIVER, 80 Gallon - America (200 PSIG)	12	95002143	1	PLUG - America only
	24491557	1	RECEIVER, 120 Gallon - America (< 200 PSIG)	13	96762380	1	ELBOW
	47529412001	1	RECEIVER, 120 Gallon - America (200 PSIG)	14	47507363001	1	PLATE, COVER DRYER OUTLET
	47512353001	1	RECEIVER, 200 Liter - Brazil	15	96739313	2	SCREW, M6 x 20
4	47499838001	1	TUBE	16	24436826	1	COVER, BASE
5	22390132	1	GROMMET - America	17	92368687	2	SCREW, M6 x 1 x 14
6	22401590	1	VALVE, RELIEF - Europe & Brazil	18	23452303	1	TUBING, 6 mm
	31385693	1	VALVE, RELIEF - America (< 200 PSIG)	19	92067917	1	ELBOW - America only
	22052450	1	VALVE, RELIEF - America (200 PSIG)	19	54403266	1	ELBOW - Europe & Brazil only
7	47499839001	1	TUBE, COOLER - 500 Liter	20	92106210	1	CONNECTOR - Europe & Brazil only
	47499925001	1	TUBE, COOLER - 272 Liter	20	95937512	1	CONNECTOR - America only
				21	92867498	1	DECAL, AIR DISCHARGE - ISO
				21	24125726	1	DECAL, AIR DISCHARGE - LAN
				22	92867407	1	DECAL, DO NOT INHALE - ISO
				22	24125718	1	DECAL, DO NOT INHALE - LAN

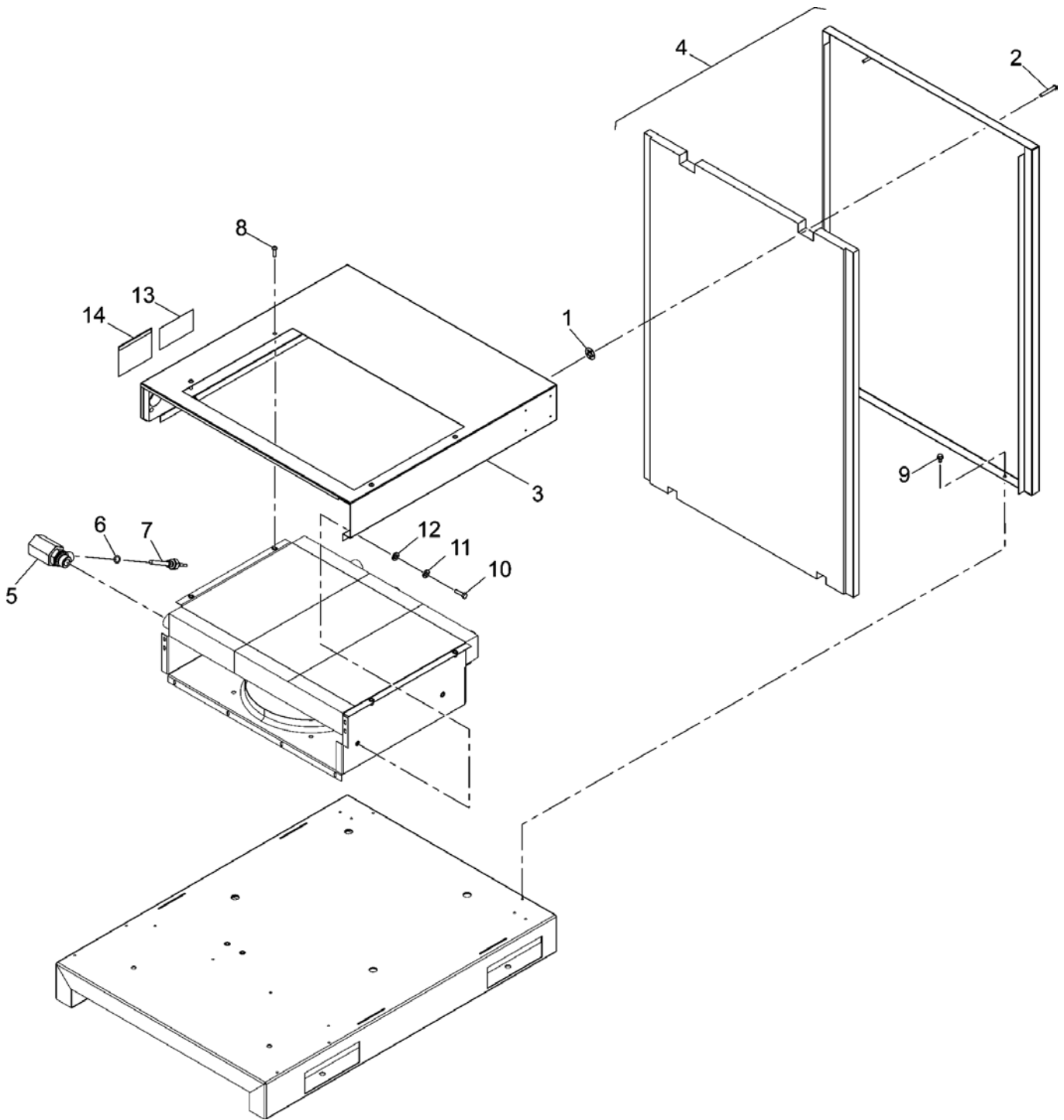
DRYER (W/O RECEIVER) ASSEMBLY DRAWING



DRYER (W/O RECEIVER) PARTS LIST

Item	Part No.	Qty	Description	Item	Part No.	Qty	Description
1	47524155001	1	TEE - Europe	9	96727581	6	WASHER
	47524154001	1	TEE - America & Canada	10	96739313	8	SCREW
2	22390132	1	GROMMET	11	96762380	1	ELBOW
3	24366403	1	PANEL, TOP DRYER	12	96763727	2	SCREW
4	47499743001	1	PANEL, BACK - Europe only	13	47507362001	1	PLATE, COVER MPCV
	47522834001	1	PANEL, BACK - America only	14	23523491	2	RETAINER, 6mm
	47525690001	1	PANEL, BACK - Brazil only	15	92867498	1	DECAL, AIR DISCHARGE - ISO
5	47499838001	1	TUBE		24125726	1	DECAL, AIR DISCHARGE - LAN
6	92368687	14	SCREW, M6 x 1 x 14	16	92867407	1	DECAL, DO NOT INHALE - ISO
7	96704234	4	NUT		24125718	1	DECAL, DO NOT INHALE - LAN
8	96727573	8	WASHER, SPRING LOCK				

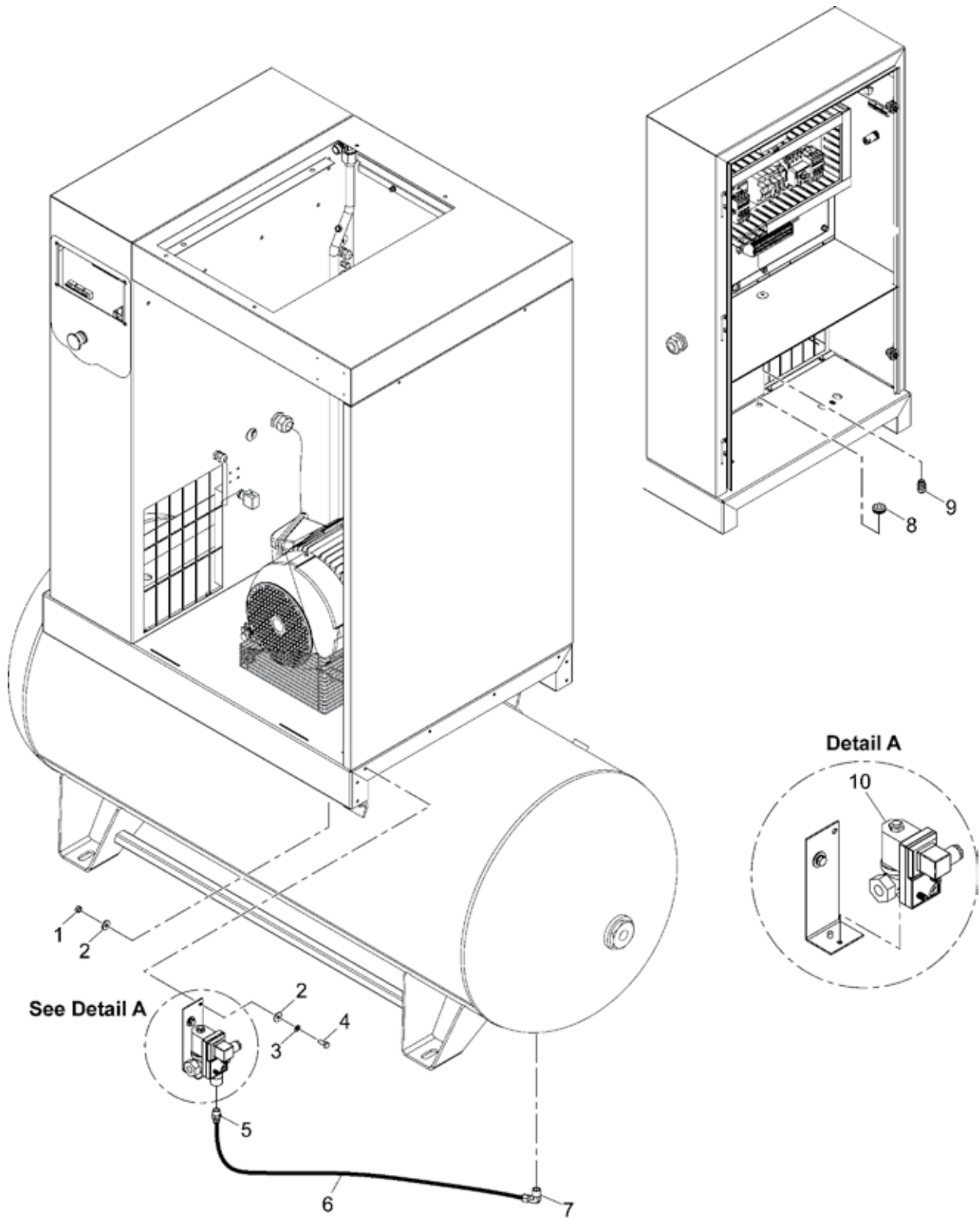
W/O DRYER & RECEIVER ASSEMBLY DRAWING



W/O DRYER & RECEIVER PARTS LIST

Item	Part No.	Qty	Description	Item	Part No.	Qty	Description
1	23523491	2	RETAINER, 6 mm	8	96739313	4	SCREW
2	96763727	2	SCREW	9	92368687	2	SCREW
3	24066490	1	PANEL ,TOP	10	96701958	2	SCREW
4	24066573	1	PANEL, RIGHT	11	96727573	2	LOCKWASHER
5	24210916	1	TEE - Europe only	12	96727581	2	FLATWASHER
	47503139001	1	TEE - America only	13	92867498	1	DECAL, AIR DISCHARGE - ISO
	47541739001		TEE - FROST PROTECTION OPTION - Europe only		24125726	1	DECAL, AIR DISCHARGE - LAN
6	96759295	1	O-RING - FROST PROTECTION OPTION ONLY	14	92867407	1	DECAL, DO NOT INHALE - ISO
7	23522246	1	SENSOR, TEMPERATURE - FROST PROTECTION OPTION ONLY		24125718	1	DECAL, DO NOT INHALE - LAN

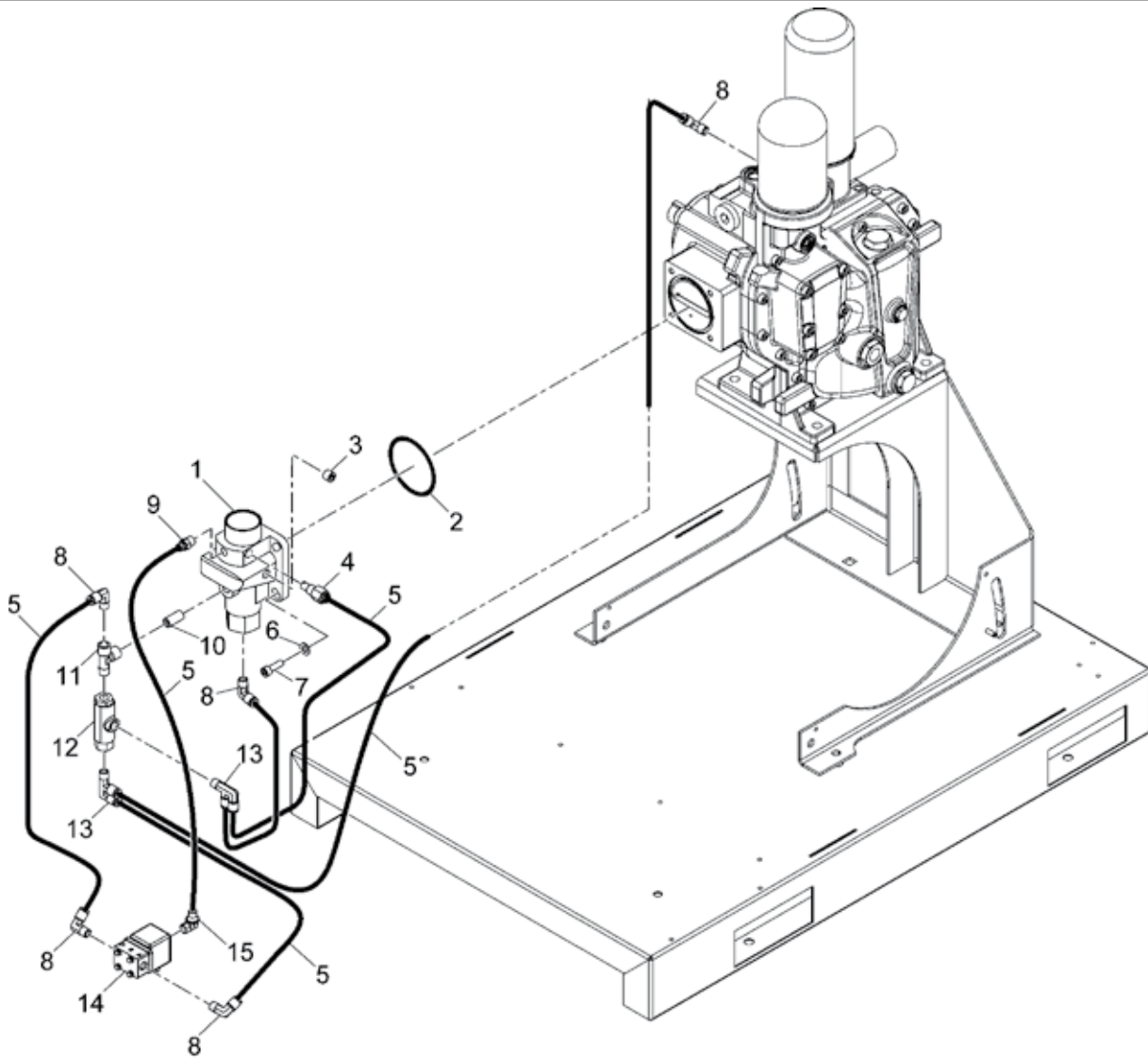
AUTOMATIC CONDENSATE DRAIN VALVE ASSEMBLY DRAWING



AUTOMATIC CONDENSATE DRAIN VALVE PARTS LIST

Item	Part No.	Qty	Description	Item	Part No.	Qty	Description
1	96704234	1	NUT, M6-1	7	92067917	1	ELBOW- America only
2	14084123	4	WASHER, PLAIN	8	85583367	1	GROMMET
3	96727573	2	WASHER, LOCK	9	23635816	1	GLAND, CABLE
4	96701958	2	SCREW, M6-1 x16	10	47524503001	1	VALVE, DRAIN - 50 Hz
5	22601371	1	CONNECTOR		47524504001	1	VALVE, DRAIN - 60 Hz
6	23452303	A/R	TUBE				
7	54403266	1	ELBOW - Europe only	A/R	AS REQUIRED		

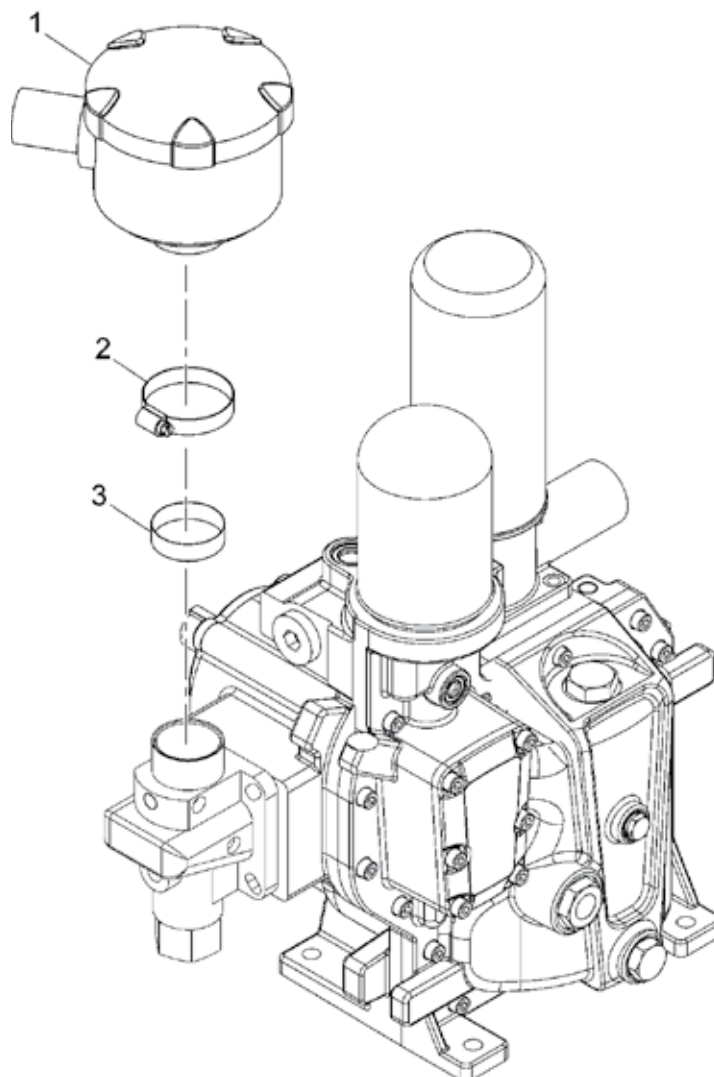
CONTROLS ASSEMBLY DRAWING AND PARTS LIST



Item	Part No.	Qty	Description	Item	Part No.	Qty	Description
1	23972854	1	VALVE, INLET	13	92794262	2	ELBOW, DOUBLE TUBE
2	95022323	1	O-RING, VALVE	14	47502725001	1	VALVE, SOLENOID (Xe-70, 50 Hz)
3	22476667	1	PLUG		47517905001	1	VALVE, SOLENOID (Xe-70, 60 Hz)
4	22601926	1	CONNECTOR, ORIFICE		47498691001	1	VALVE, SOLENOID (Xe-50, 50/ 60 Hz)
5	23452303	A/R	TUBE	15	92725837	1	ELBOW
6	96704671	4	WASHER	**	35268788	A/R	BANDWRAP - FROST PROTECTION OPTION ONLY
7	96708060	4	SCREW - M8 x 25	A/R AS REQUIRED			
8	54403266	5	ELBOW				
9	92788959	1	CONNECTOR, STRAIGHT				
10	96770532	1	ADAPTER				
11	92931518	1	TEE				
12	47542910001	1	VALVE, BLOWDOWN				

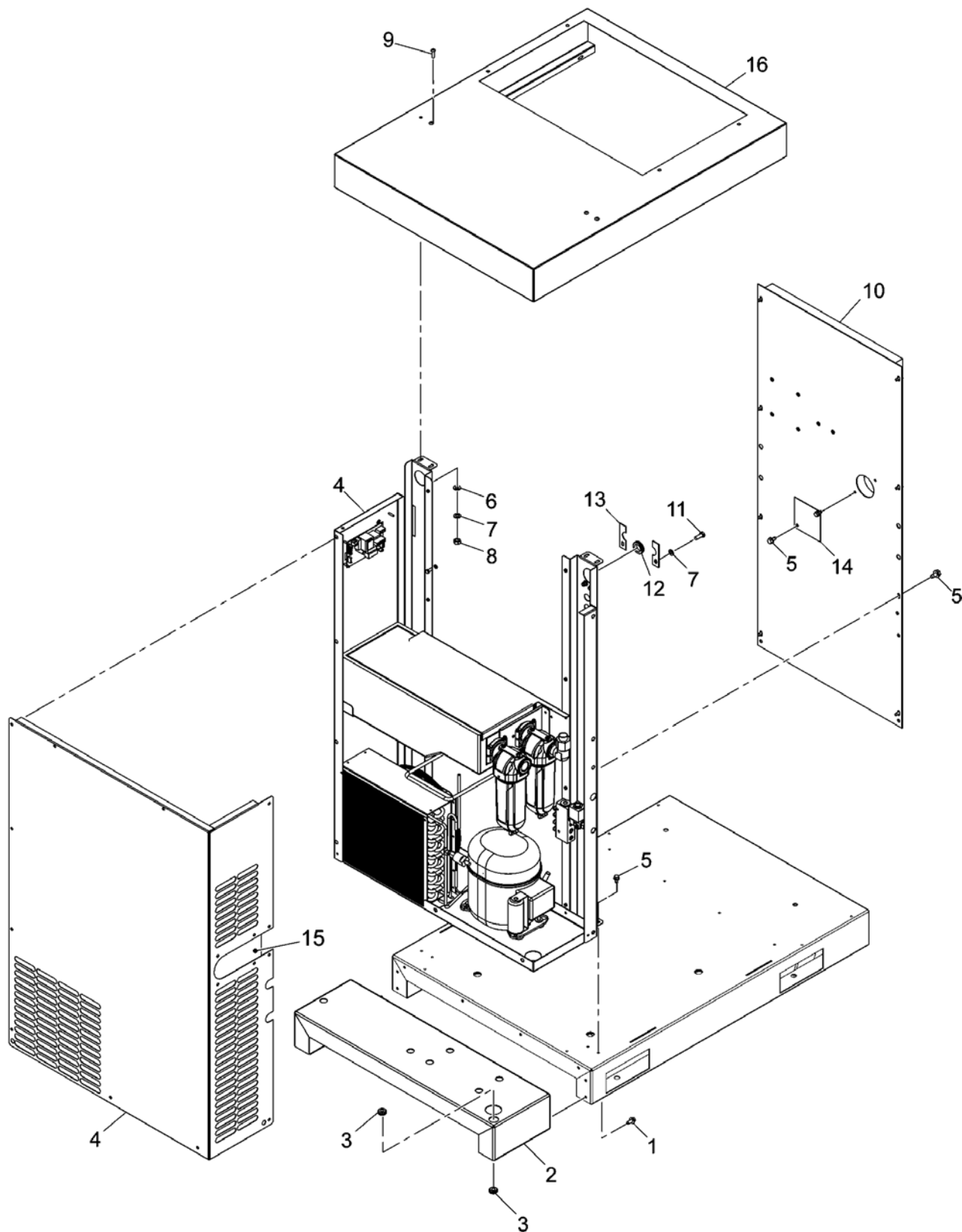
NOTE : Pressure Transducer location is specific to machine configuration. See corresponding Fixed Speed and VSD Drive Cable view for the Part Number and location.

FILTER ASSEMBLY DRAWING AND PARTS LIST



Item	Part No.	Qty	Description	Item	Part No.	Qty	Description
1	89243778	1	FILTER, AIR - Standard	**	88171913	1	ELEMENT, FILTER - Standard
	47516568001	1	FILTER, AIR - High Dust	**	89295976	1	ELEMENT, FILTER - High Dust
2	95235156	1	CLAMP				
3	89246078	1	SEAL, SPACER				
				**	NOT ILLUSTRATED		

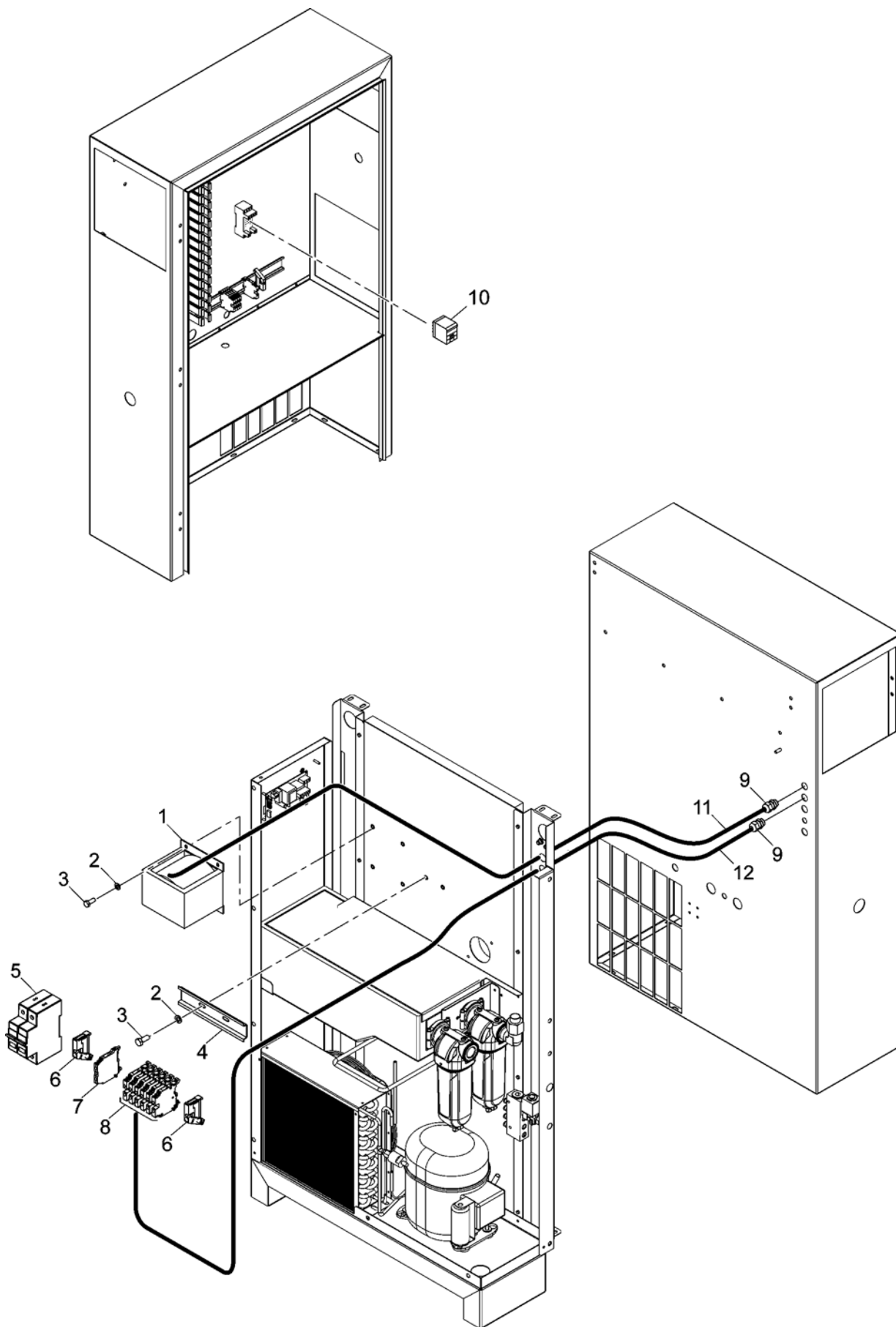
DRYER ASSEMBLY DRAWING



DRYER PARTS LIST

Item	Part No.	Qty	Description	Item	Part No.	Qty	Description
1	96705058	8	SCREW, M6 x 12	9	96739313	8	SCREW, M6 x 20
2	24365926	1	BASE, DRYER		47499743001	1	PANEL, BACK - Europe
3	85583367	2	GROMMET	10	47522834001	1	PANEL, BACK - America
	24646317	1	DRYER, 50/ 60 Hz - Europe & Brazil		47525690001	1	PANEL, BACK - Brazil
4	47518888001	1	DRYER, 60 Hz - America	11	96701958	2	SCREW, M6-1 x 16
	47532147001	1	DRYER, 60 Hz - Canada	12	22390132	1	GROMMET
5	92368687	14	SCREW M6 x 1 x 12	13	24368193	2	COVER, TUBE COOL
6	96727581	4	FLATWASHER	14	47507362001	1	PLATE, COVER MPCV
7	96727573	6	LOCKWASHER	15	47507363001	1	PLATE, COVER DRYER OUTLET
8	96704234	4	NUT M6-1	16	24366403	1	PANEL, TOP DRYER

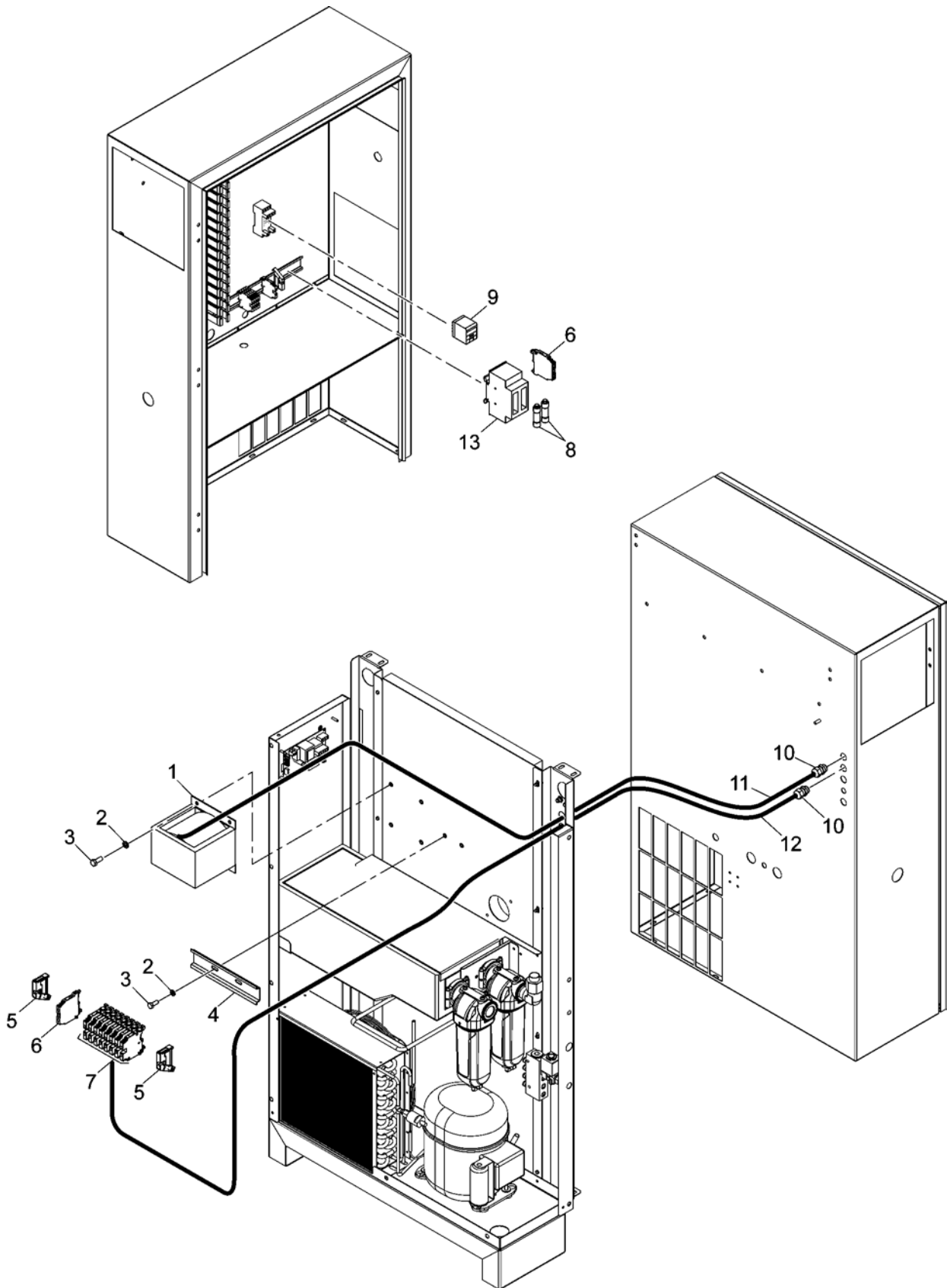
DRYER ELECTRICAL CONNECTION - 208V, 60 HZ ASSEMBLY DRAWING



DRYER ELECTRICAL CONNECTION - 208V, 60 HZ PARTS LIST

Item	Part No.	Qty	Description	Item	Part No.	Qty	Description
1	47504376001	1	TRANSFORMER, 1200VA	9	23635816	2	GLAND, CABLE
2	92304641	6	LOCKWASHER	10	47499674001	1	RELAY
3	92472679	6	SCREW	11	47504378001	1	CABLE, DRYER POWER
4	23004666	1	DIN, RAIL	12	47504379001	1	CABLE, DRYER CONTROL
5	47499673001	1	BREAKER, MINI-CIR 8A	**	22708952	1	FUSE, 8A
6	89205397	2	TERMINAL, END STOP	**	47504377001	1	WIRING, AUTOTRANSFORMER
7	93469633	2	TERMINAL, EARTH				
8	93469625	6	TERMINAL, 35A	**	NOT ILLUSTRATED		

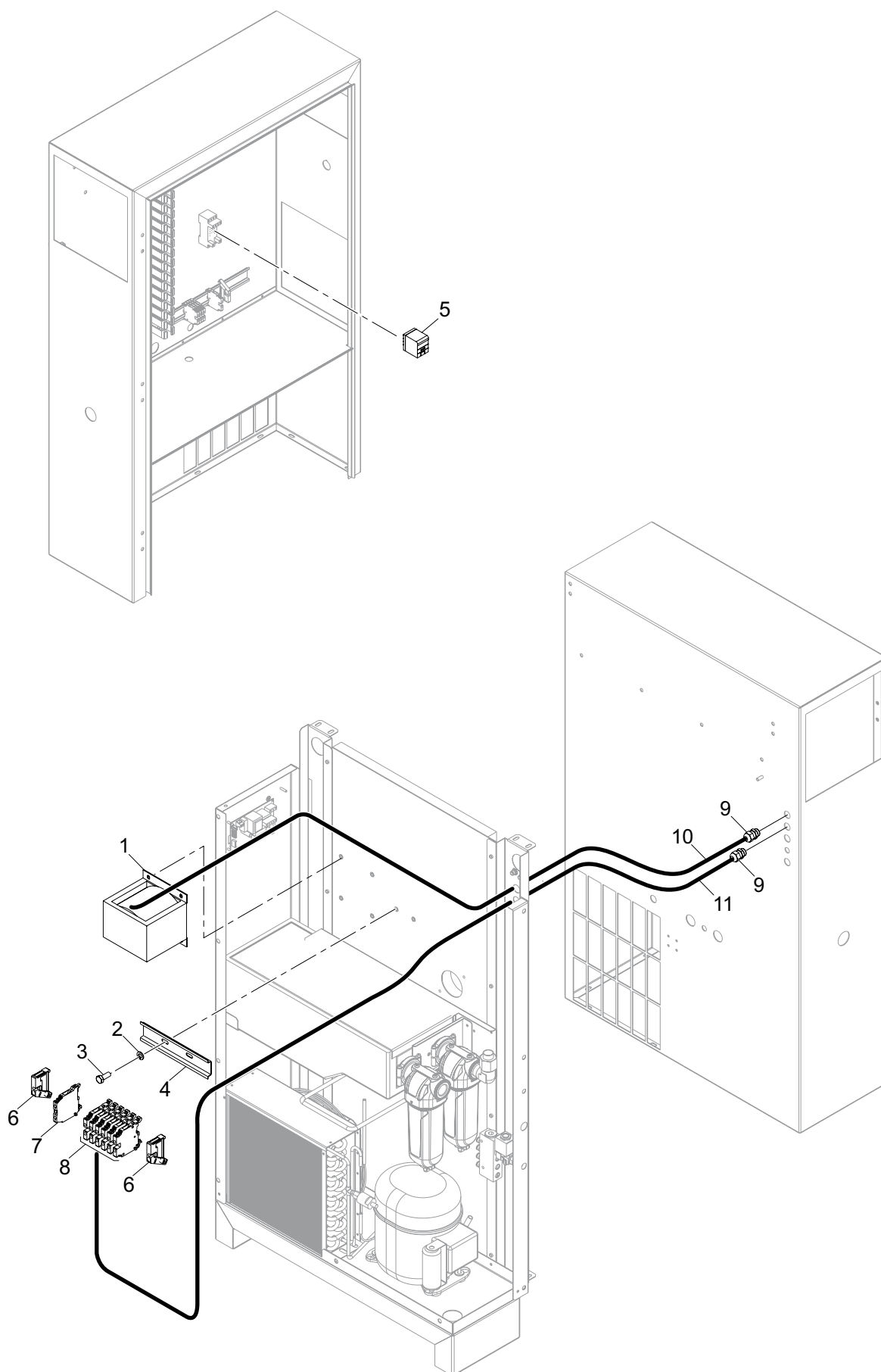
DRYER ELECTRICAL CONNECTION - 220V, 60 HZ ASSEMBLY DRAWING



DRYER ELECTRICAL CONNECTION - 220V, 60 HZ PARTS LIST

Item	Part No.	Qty	Description	Item	Part No.	Qty	Description
1	NSS	1	TRANSFORMER, 1200VA	8	22708952	2	FUSE, 8A
2	92304641	6	LOCKWASHER	9	47499674001	1	RELAY
3	92472679	6	SCREW	10	23635816	2	GLAND, CABLE
4	23004666	1	DIN, RAIL	11	47504378001	1	CABLE, DRYER POWER
5	89205397	2	TERMINAL, END STOP	12	47504379001	1	CABLE, DRYER CONTROL
6	93469633	2	TERMINAL, EARTH	13	22505788	1	HOLDER, FUSE
7	93469625	8	TERMINAL, 35A				

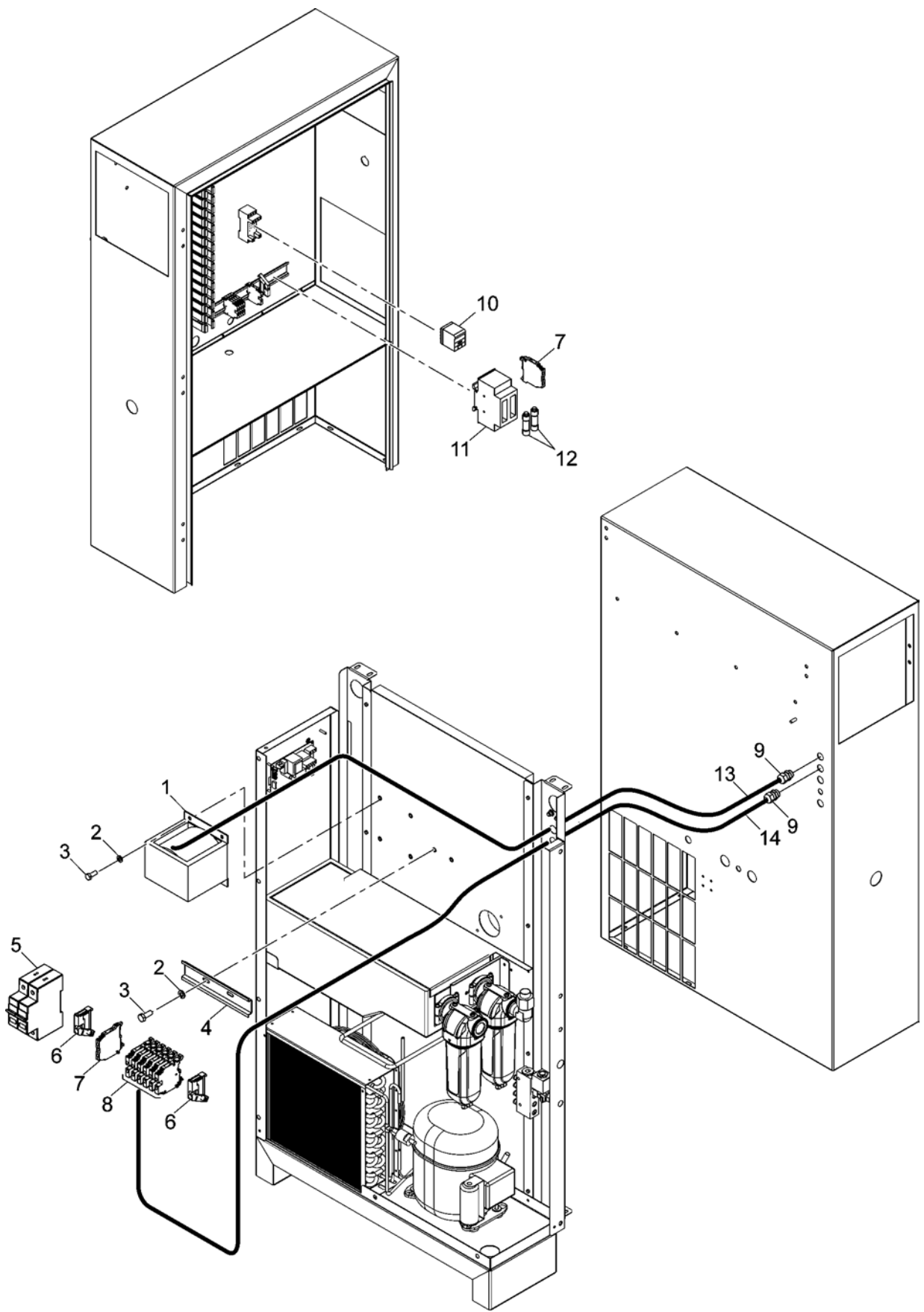
DRYER ELECTRICAL CONNECTION - 230V, 60 HZ ASSEMBLY DRAWING



DRYER ELECTRICAL CONNECTION - 230V, 60 HZ PARTS LIST

Item	Part No.	Qty	Description	Item	Part No.	Qty	Description
1	NSS	1	TRANSFORMER, 1200VA	8	93469625	8	TERMINAL, 35A
2	92304641	2	LOCKWASHER	9	23635816	2	GLAND, CABLE
3	92472679	2	SCREW	10	47504378001	1	CABLE, DRYER POWER
4	23004666	1	DIN, RAIL	11	47504379001	1	CABLE, DRYER CONTROL
5	47499674001	1	RELAY	**	22708952	1	FUSE, 8A
6	89205397	2	TERMINAL, END STOP				
7	93469633	2	TERMINAL, EARTH	**	NOT ILLUSTRATED		

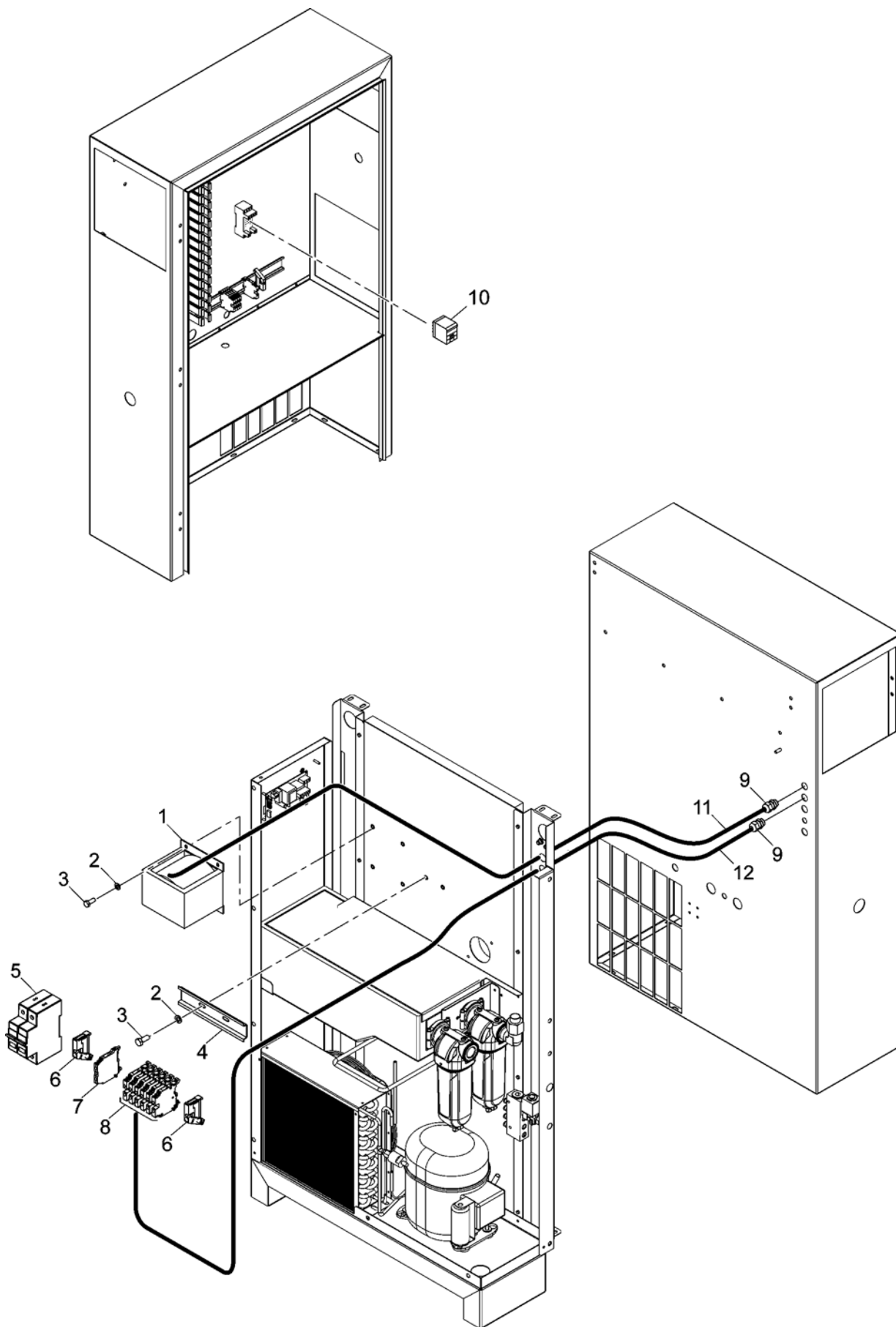
DRYER ELECTRICAL CONNECTION - 380/440V, 60 HZ ASSEMBLY DRAWING



DRYER ELECTRICAL CONNECTION - 380/440V, 60 HZ PARTS LIST

Item	Part No.	Qty	Description	Item	Part No.	Qty	Description
1	47526204001	1	TRANSFORMER, 1200VA	8	93469625	6	TERMINAL, 35A
2	92304641	6	LOCKWASHER	9	23635816	2	GLAND, CABLE
3	92472679	6	SCREW	10	47499674001	1	RELAY
4	23004666	1	DIN, RAIL	11	22505788	1	HOLDER, FUSE
5	47499673001	1	BREAKER, MINI-CIRCUIT 8A	12	22220263	2	FUSE, 4A
6	89205397	2	TERMINAL, END STOP	13	47504378001	1	CABLE, DRYER POWER
7	93469633	2	TERMINAL, EARTH	14	47504379001	1	CABLE, DRYER CONTROL

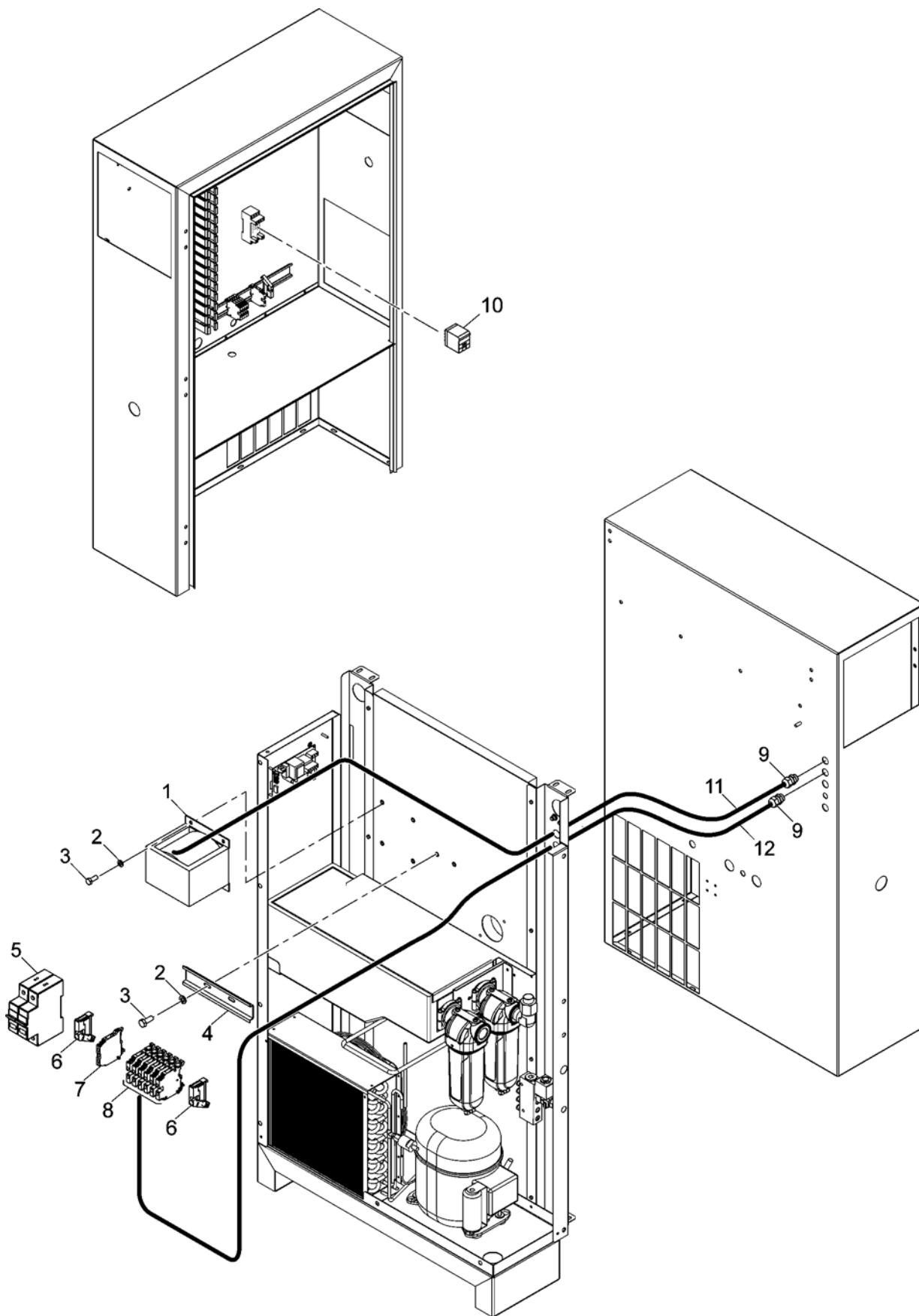
DRYER ELECTRICAL CONNECTION - 460V, 60 HZ ASSEMBLY DRAWING



DRYER ELECTRICAL CONNECTION - 460V, 60 HZ PARTS LIST

Item	Part No.	Qty	Description	Item	Part No.	Qty	Description
1	47504376001	1	TRANSFORMER, 1200VA	9	23635816	2	GLAND, CABLE
2	92304641	6	LOCKWASHER	10	47499674001	1	RELAY
3	92472679	6	SCREW	11	47504378001	1	CABLE, DRYER POWER
4	23004666	1	DIN, RAIL	12	47504379001	1	CABLE, DRYER CONTROL
5	47499673001	1	BREAKER, MINI-CIRCUIT 8A	**	22220263	2	FUSE, 4A
6	89205397	2	TERMINAL, END STOP	**	47504377001	1	WIRING, AUTOTRANSFORMER
7	93469633	2	TERMINAL, EARTH				
8	93469625	6	TERMINAL, 35A	**	NOT ILLUSTRATED		

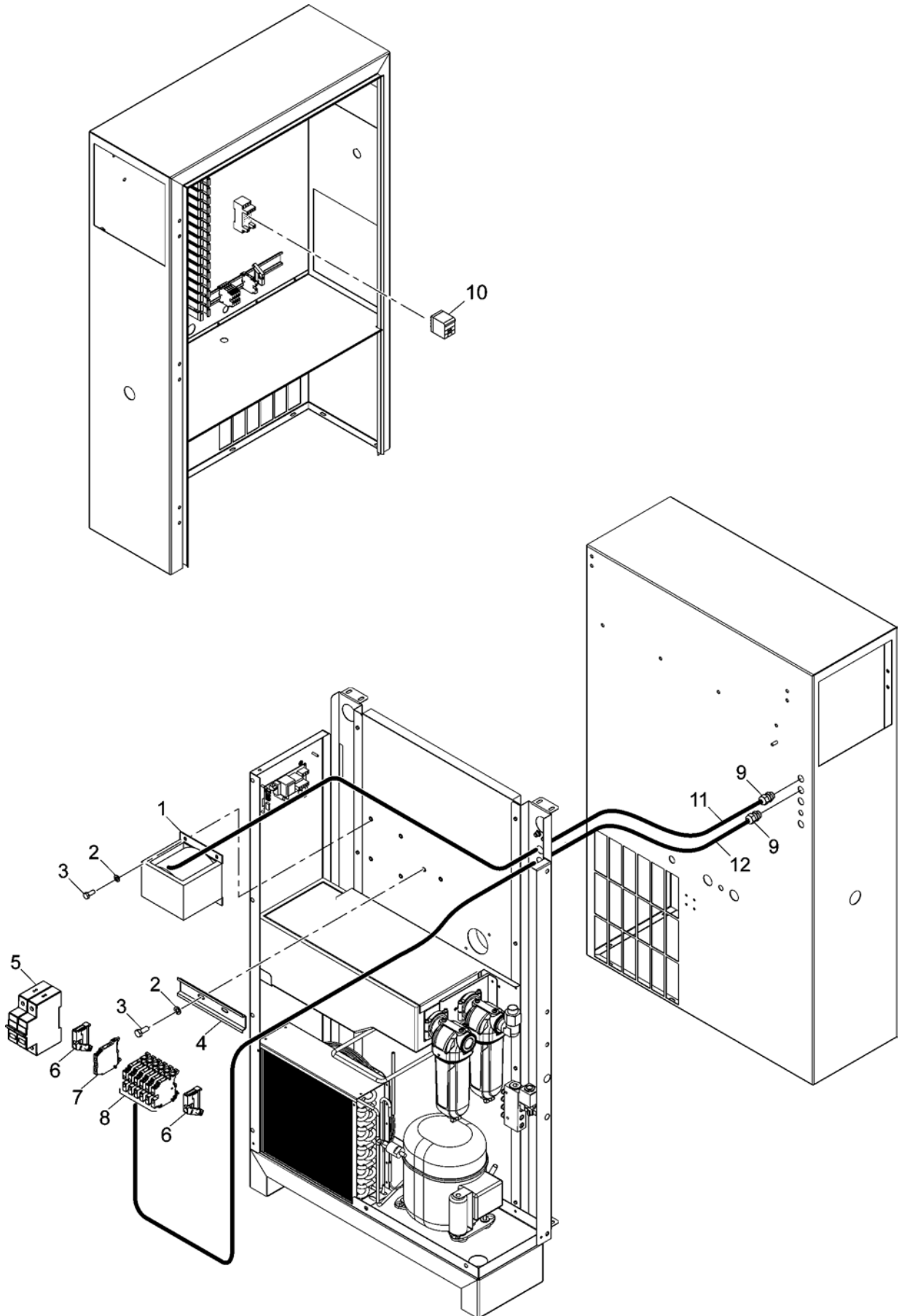
DRYER ELECTRICAL CONNECTION - 575V, 60 HZ ASSEMBLY DRAWING



DRYER ELECTRICAL CONNECTION - 575V, 60 HZ PARTS LIST

Item	Part No.	Qty	Description	Item	Part No.	Qty	Description
1	47504376001	1	TRANSFORMER, 1200VA	9	23635816	2	GLAND, CABLE
2	92304641	6	LOCKWASHER	10	47499674001	1	RELAY
3	92472679	6	SCREW	11	47504378001	1	CABLE, DRYER POWER
4	23004666	1	DIN, RAIL	12	47504379001	1	CABLE, DRYER CONTROL
5	47499673001	1	BREAKER, MINI-CIRCUIT 8A	**	47504377001	1	WIRING, TRANSFORMER
6	89205397	2	TERMINAL, END STOP	**	22355234	2	FUSE, 3A
7	93469633	2	TERMINAL, EARTH				
8	93469625	6	TERMINAL, 35A	**	NOT ILLUSTRATED		

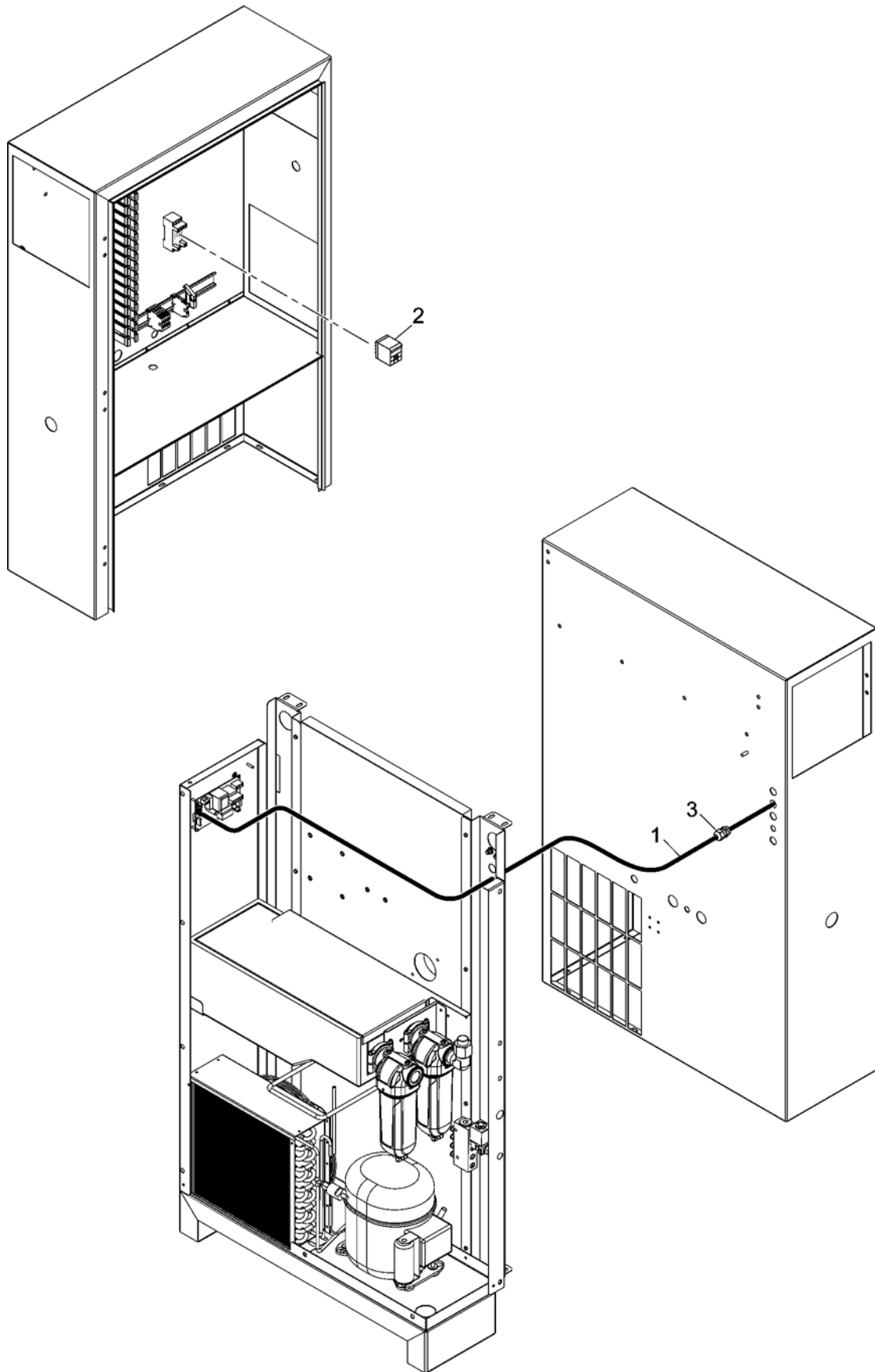
DRYER ELECTRICAL CONNECTION - TRI-VOLTAGE 60 HZ ASSEMBLY DRAWING



DRYER ELECTRICAL CONNECTION - TRI-VOLTAGE, 60 HZ PARTS LIST

Item	Part No.	Qty	Description	Item	Part No.	Qty	Description
1	47504376001	1	TRANSFORMER, 1200VA	10	47499674001	1	RELAY
2	92304641	6	LOCKWASHER	11	47504379001	1	CABLE, DRYER CONTROL
3	92472679	6	SCREW	12	47504378001	1	CABLE, DRYER POWER
4	23004666	1	DIN, RAIL	**	47504377001	1	WIRING, TRANSFORMER
5	47499673001	1	BREAKER, MINI-CIRCUIT 8A	**	22220263	2	FUSE, 4A
6	89205397	2	TERMINAL, END STOP	**	22708952	2	FUSE, 8A
7	93469633	2	TERMINAL, EARTH				
8	93469625	6	TERMINAL, 35A				
9	23635816	2	GLAND, CABLE	**	NOT ILLUSTRATED		

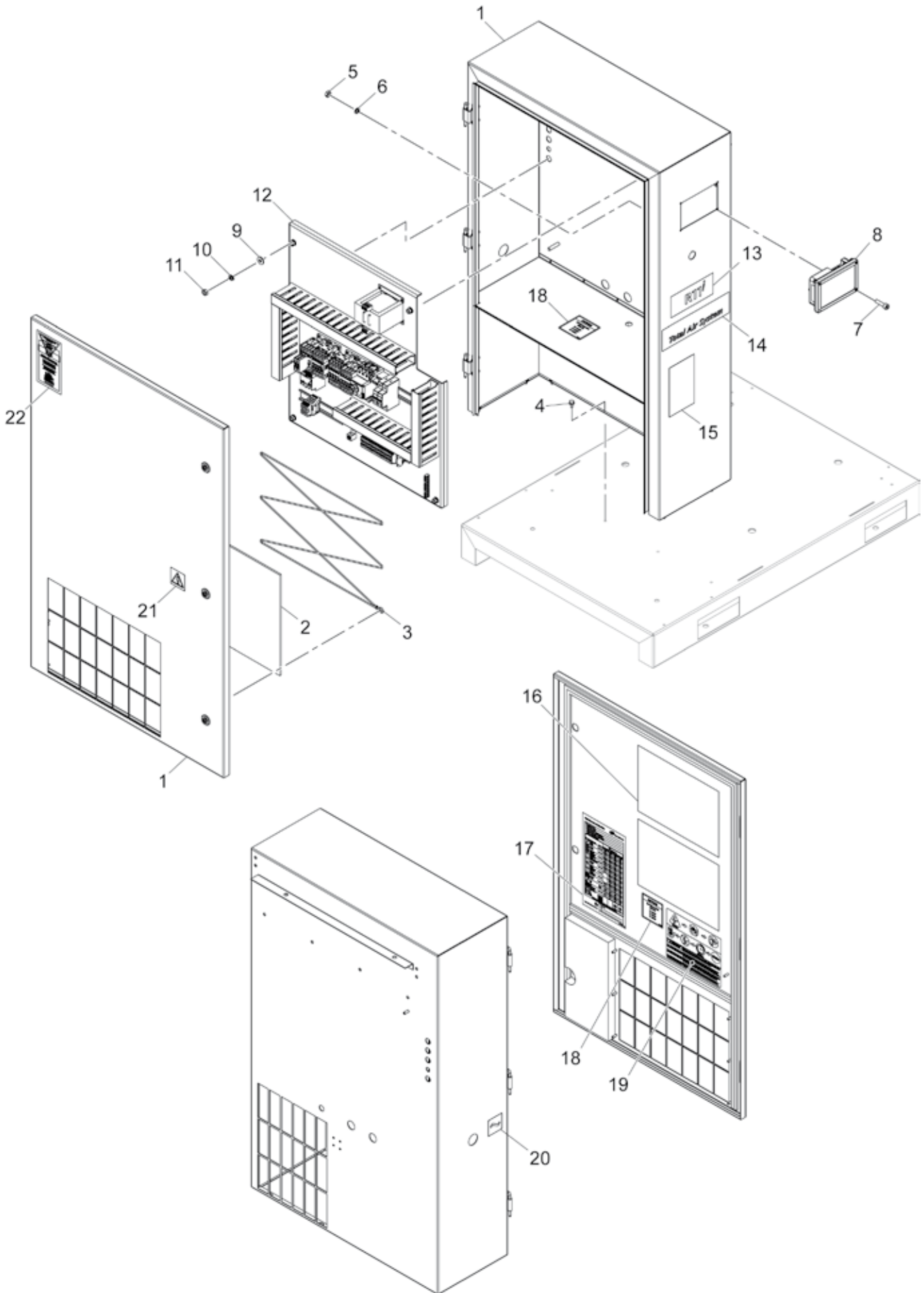
DRYER ELECTRICAL CONNECTION - 230V & 400V/ 50 HZ ASSEMBLY DRAWING



DRYER ELECTRICAL CONNECTION - 230V & 400V/ 50 HZ PARTS LIST

Item	Part No.	Qty	Description	Item	Part No.	Qty	Description
1	47499678001	1	CABLE, DRYER CONTROL	3	23635816	1	GLAND, CABLE
2	47499674001	1	RELAY				

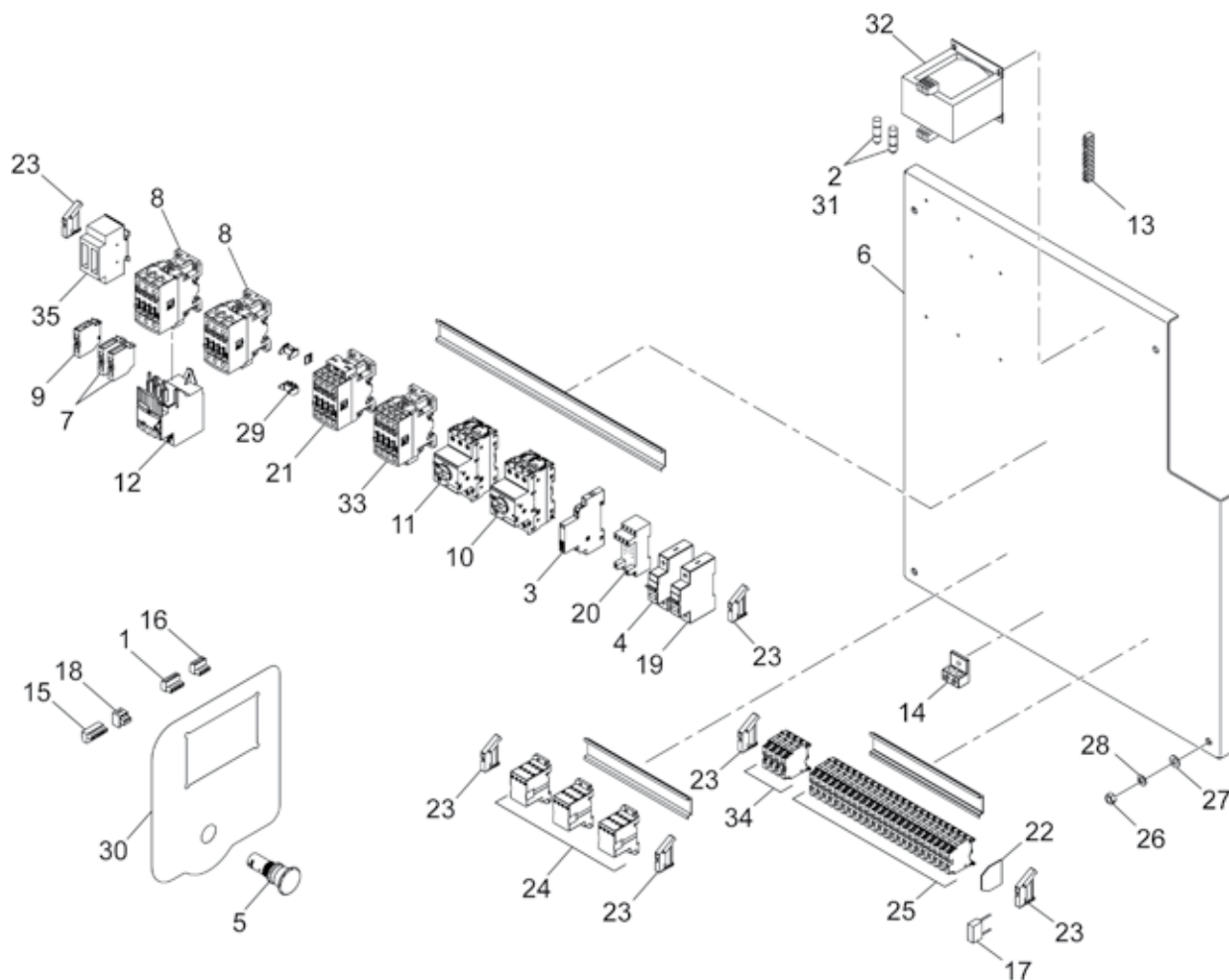
STARTER (XE-50M) ASSEMBLY DRAWING



STARTER (XE-50M) PARTS LIST

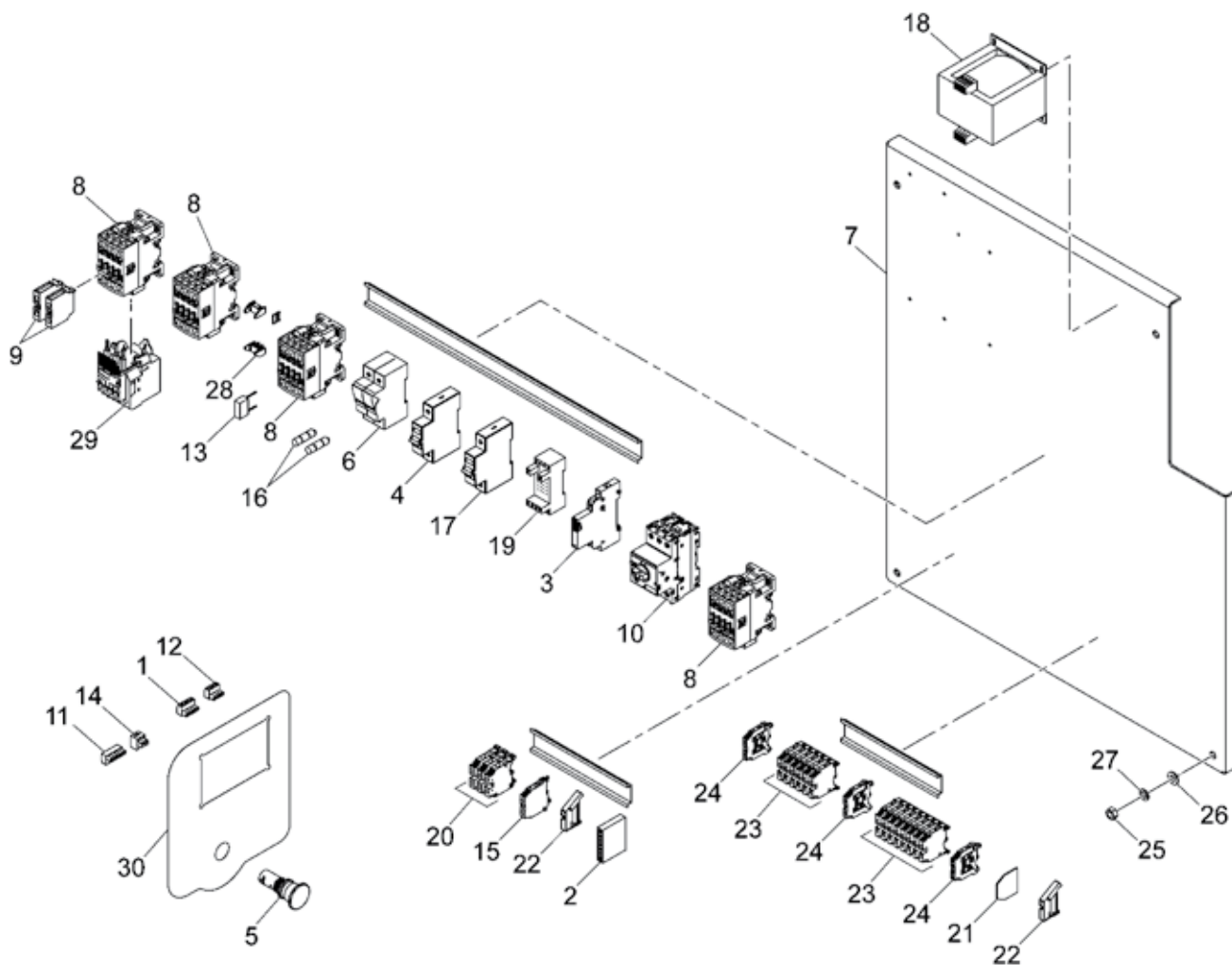
Item	Part No.	Qty	Description	Item	Part No.	Qty	Description
1	47498720001	1	STARTER BOX, FS (Xe-50)	12	47521076001	1	BACKPANEL - 7.5 kW, 230V, 50/60 Hz, S/D, (Xe-50M)
	47520281001	1	STARTER BOX, FS (Xe-50)		47519036001	1	BACKPANEL - 10 hp, 208-230/460V, 50/60 Hz, S/D
2	24286676	1	PAD, PRE-FILTER		47519002001	1	BACKPANEL - 5 hp, 208-230/460V, 50/60 Hz, DOL
3	24287625	1	CORD, BLACK ELASTIC		47499660001	1	BACKPANEL - 5.5 kW, 400V, 50/60 Hz, S/D
4	92368687	8	SCREW M6 x 1 x 12		47499682001	1	BACKPANEL - 11 kW, 400V, 50/60 Hz, S/D
5	96703756	4	NUT, M4-0.7		13	47515963001	1
6	92340447	4	LOCKWASHER	47515957001		1	DECAL, R4i
7	96721147	4	SCREW, M4x16	47515958001		1	DECAL, R5.5ie
8	24301434	1	CONTROLLER, Xe 50M	47515959001		1	DECAL, R5.5i
9	96704671	4	FLATWASHER	47515961001		1	DECAL, R7.5i
10	96741467	4	LOCKWASHER	14	47517437001	1	DECAL, TAS (w/ Dryer option only)
11	96701370	4	NUT		15	24728347	1
12	47519038001	1	BACKPANEL - 15 hp, 208-230/460V, 50/60 Hz, S/D	24728370		1	DECAL, WARNING AUTOMATIC START-UP - LAN
	47499679001	1	BACKPANEL - 7.5 kW, 400V, 50/60 Hz, S/D	16	24153595	1	DECAL, ELECTRICAL DIAGRAM - S/D
	47526208001	1	BACKPANEL - 7.5/10 hp, 380/440V, 50/60 Hz, S/D		24153595	1	DECAL, ELECTRICAL DIAGRAM - DOL
	47519034001	1	BACKPANEL - 7.5 hp, 208-230/460V, 50/60 Hz, S/D	17	47516504001	1	DECAL, MAINTENANCE SCHEDULE - ULTRA COOLANT
	47519054001	1	BACKPANEL - 15 hp, 575V, 50/60 Hz, S/D		47516510001	1	DECAL, MAINTENANCE SCHEDULE - ULTRA EL
	47526210001	1	BACKPANEL - 15 hp, 380/440V, 50/60 Hz, S/D		47516511001	1	DECAL, MAINTENANCE SCHEDULE - FOOD GRADE
	47526207001	1	BACKPANEL - 7.5/10 hp, 220V, 50/60 Hz, S/D	18	24795221	2	DECAL, NOTICE
	47519017001	1	BACKPANEL - 5 hp, 575V, 50/60 Hz, DOL	19	23538754	1	DECAL, WARNING
	47526209001	1	BACKPANEL - 15 hp, 220V, 50/60 Hz, S/D	20	93166486	1	DECAL, POWER INLET
	47519048001	1	BACKPANEL - 7.5 hp, 575V, 50/60 Hz, S/D	21	92930593	1	DECAL, ELECTRIC SHOCK - ISO
	47521078001	1	BACKPANEL - 11 kW, 230V, 50/60 Hz, S/D		32343568	1	DECAL, ELECTRIC SHOCK - LAN
	47505662001	1	BACKPANEL - 5/7.5 hp, 208/230V 60 Hz, DOL	22	24519381	1	DECAL, CAGI - America only
	47521073001	1	BACKPANEL - 5.5 kW, 230V, 50/60 Hz, S/D				
	47519052001	1	BACKPANEL - 10 hp, 575V, 50/60 Hz, S/D				

BACKPANEL - 15 HP, 208-230/460V, 50/60 HZ, S/D - XE-50M



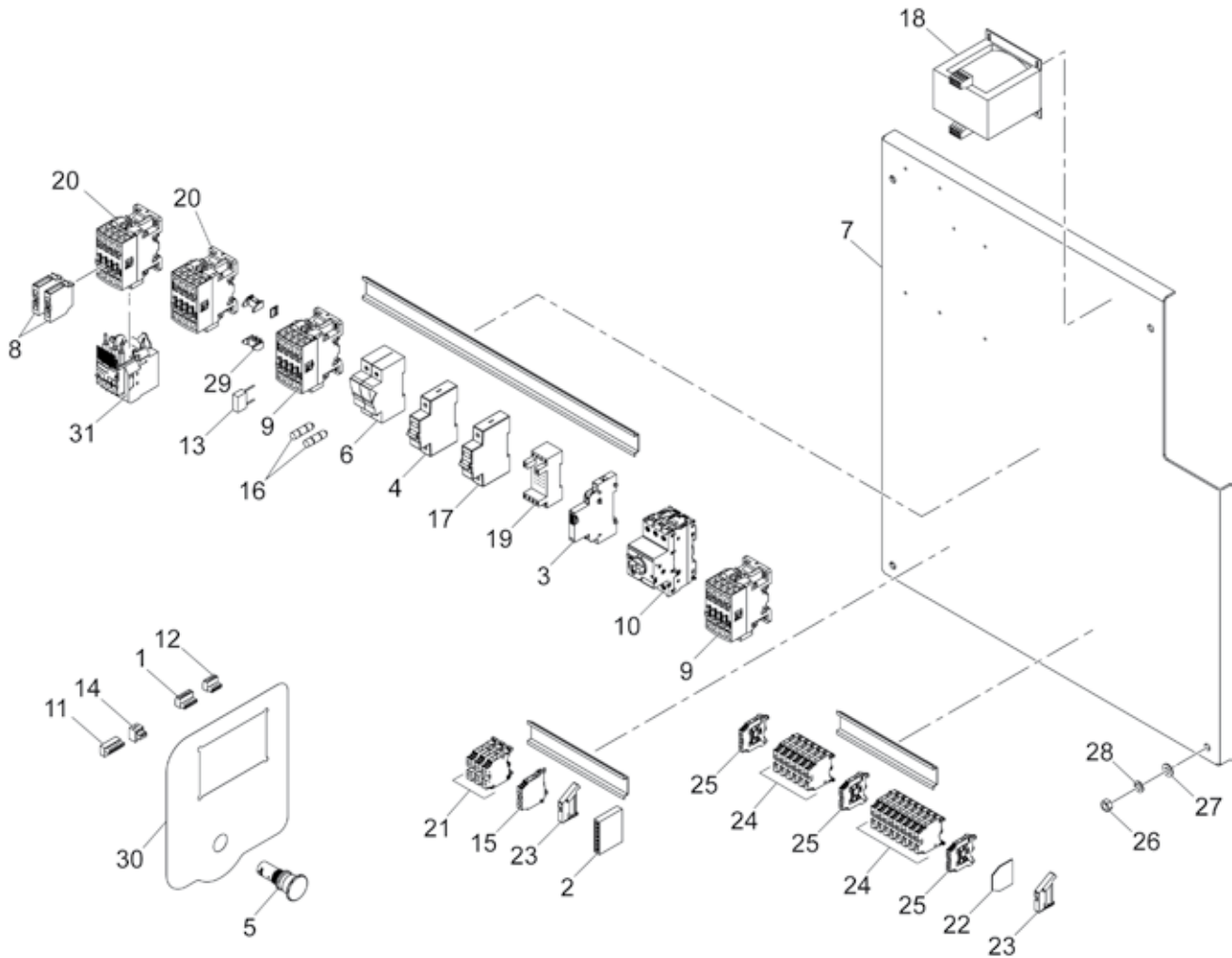
Item	Part No.	Qty	Description	Item	Part No.	Qty	Description
	47519038001	1	BACKPANEL - 15 hp, 208-230/460V, 50/60 Hz, S/D	18	39242367	1	PLUG, 2 POSITION
1	22076699	1	PLUG, 5 POSITION	19	47499666	1	BREAKER, MINI-CIR 1.6A 1P
2	22269682	2	FUSE, 1A	20	47499669	1	BASE, RELAY
3	23712301	2	BLOCK, AUX CONTACT	21	47499683	1	CONTACTOR, 18A
4	23770514	1	BREAKER, MINI-CIRCUIT 3A	22	54612940	1	TERMINAL, END PLATE
5	23990716	1	SWITCH, EMERGENCY STOP	23	89205397	6	TERMINAL, END STOP
6	24185209	1	PANEL, STARTER	24	23056328	3	BLOCK, POWER
7	24468308	2	BLOCK, AUX. CONTACT	25	93469625	23	TERMINAL, 35A
8	24469728	2	CONTACTOR, 30A	26	96701370	4	NUT, M8-1.25
9	24474116	1	CONTACT, AUX	27	96704671	4	FLATWASHER
10	24592560	1	BREAKER, MOTOR 0.4-0.63A	28	96741467	4	LOCKWASHER
11	24592586	1	BREAKER, MOTOR 0.63-1.0A	29	47499662001	1	INTERLOCK, MECHANICAL
12	24730145	1	RELAY, OVERLOAD, 15-45A	30	47499668001	1	DECAL, FACIA Xe-50
13	32342115	1	BUS, ALUMINIUM GROUNDING	31	47504387001	2	FUSE, 0.5A
14	49089089	1	LUG, GROUNDING	32	47518259001	1	TRANSFORMER
15	39186093	1	PLUG, 6 POSITION	33	24469686	1	CONTACTOR, 9A
16	39186101	1	PLUG, 4 POSITION	34	93469633	4	TERMINAL, EARTH
17	39203443	1	SUPPRESSOR, ARC	35	22505788	1	HOLDER, FUSE 2-POLE

BACKPANEL - 5.5 KW, 400V, 50/60 HZ, S/D - XE-50M



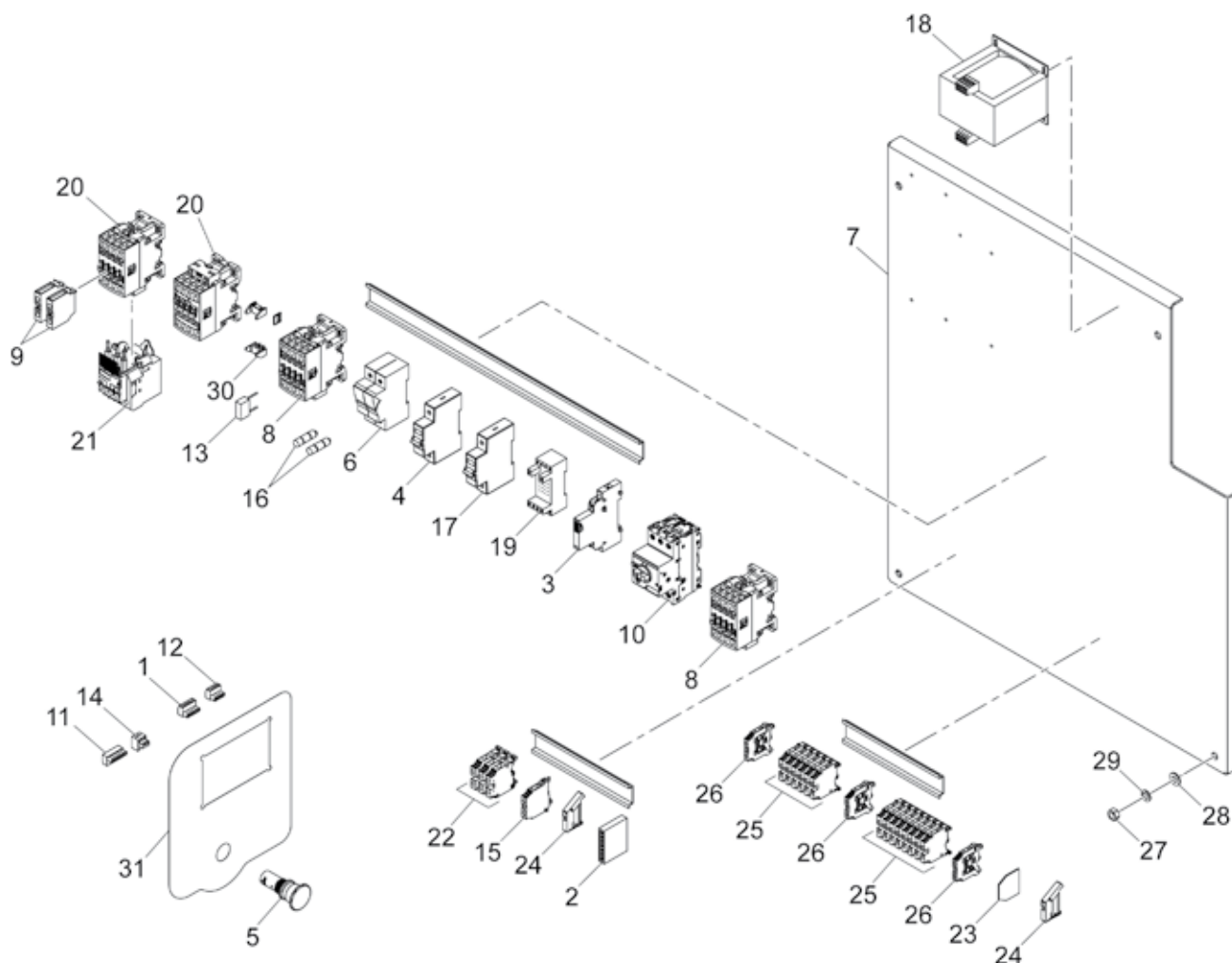
Item	Part No.	Qty	Description	Item	Part No.	Qty	Description
	47499660001	1	BACKPANEL - 5.5 KW, 400V, 50/60 Hz, S/D	15	47499661	1	TERMINAL, GROUND
1	22076699	1	PLUG, 5 POSITION	16	47499665	2	FUSE, 0.5A
2	23526478	1	BUS, GROUNDING	17	47499666	1	BREAKER, MINI-CIR 1.6A
3	23712301	1	BLOCK, AUX CONTACT	18	47499667	1	TRANSFORMER
4	23770514	1	BREAKER, MINI-CIRCUIT 3A	19	47499669	1	BASE, RELAY
5	23990716	1	SWITCH, EMERGENCY STOP	20	47499941	3	TERMINAL, 41A
6	24141962	1	HOLDER, FUSE	21	54612940	1	TERMINAL, END PLATE
7	24185209	1	PANEL, STARTER	22	89205397	2	TERMINAL, END STOP
8	24469686	4	CONTACTOR, 9A	23	93469625	14	TERMINAL, 35A
9	24468308	2	BLOCK, AUX. CONTACT	24	93469633	3	TERMINAL, EARTH
10	24592560	1	BREAKER, MOTOR 0.4-0.63A	25	96701370	4	NUT, M8-1.25
11	39186093	1	PLUG, 6 POSITION	26	96704671	4	FLATWASHER
12	39186101	1	PLUG, 4 POSITION	27	96741467	4	LOCKWASHER
13	39203443	1	SUPPRESSOR, ARC	28	47499662001	1	INTERLOCK, MECHANICAL
14	39242367	1	PLUG, 2 POSITION	29	47499663001	1	RELAY, O/L, 5.7-7.6A
				30	47499668001	1	DECAL, FACIA Xe-50

BACKPANEL - 7.5 KW, 400V, 50/60 HZ, S/D - XE-50M



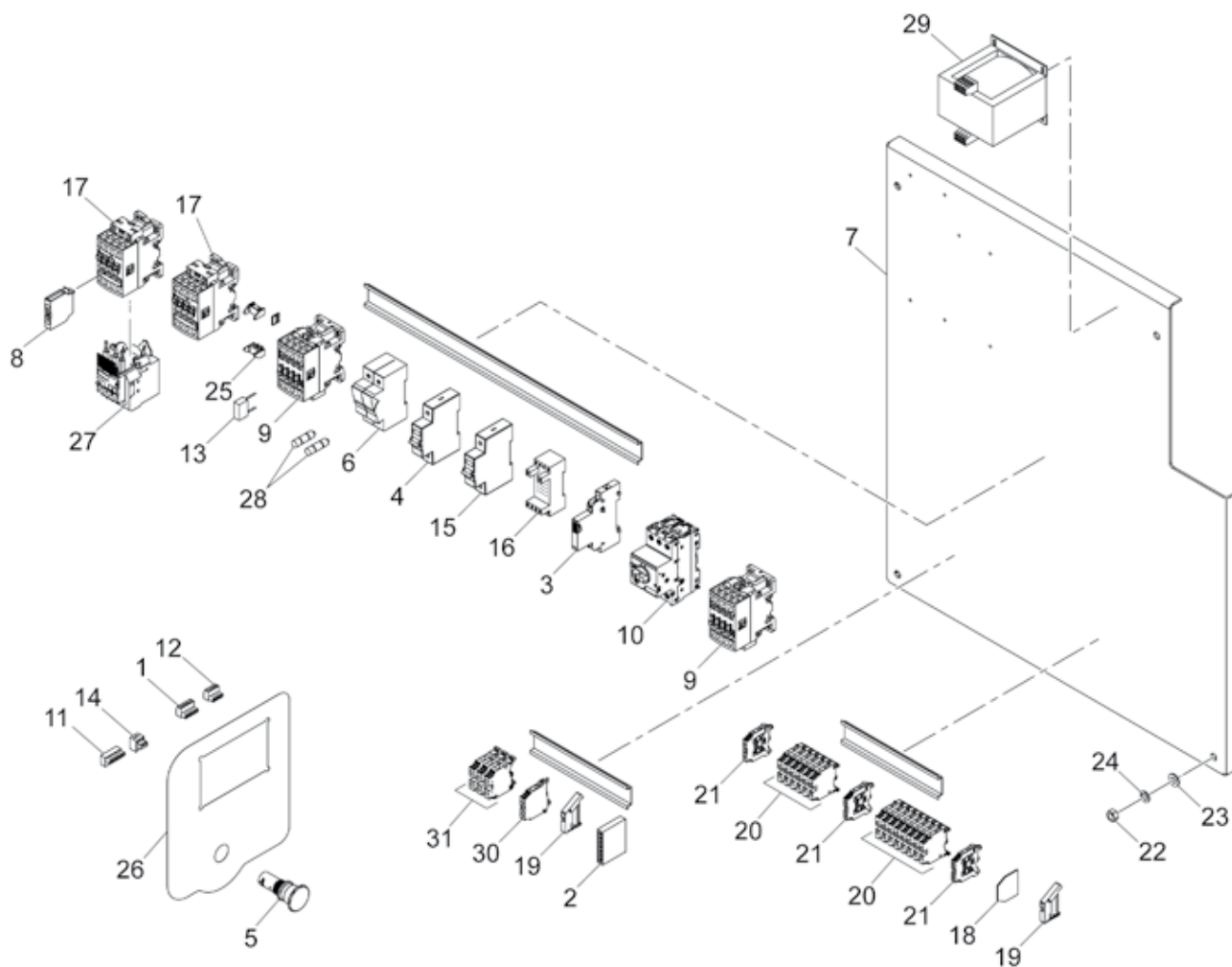
Item	Part No.	Qty	Description	Item	Part No.	Qty	Description
	47499679001	1	BACKPANEL - 7.5 kW, 400V, 50/60 Hz, S/D	16	47499665	2	FUSE, 0.5A
1	22076699	1	PLUG, 5 POSITION	17	47499666	1	BREAKER, MINI-CIR 1.6A
2	23526478	1	BUS, GROUNDING	18	47499667	1	TRANSFORMER
3	23712301	1	BLOCK, AUX CONTACT	19	47499669	1	BASE, RELAY
4	23770514	1	BREAKER, MINI-CIRCUIT	20	47499680	2	CONTACTOR, 12A
5	23990716	1	SWITCH, EMERGENCY STOP	21	47499941	3	TERMINAL
6	24141962	1	HOLDER, FUSE 2-POLE	22	54612940	1	TERMINAL, END PLATE
7	24185209	1	PANEL, STARTER	23	89205397	2	TERMINAL, END STOP
8	24468308	2	BLOCK, AUX. CONTACT 1	24	93469625	14	TERMINAL, 35A
9	24469686	2	CONTACTOR, 9A	25	93469633	3	TERMINAL, EARTH
10	24592560	1	BREAKER, MOTOR 0.4-0.63A	26	96701370	4	NUT, M8-1.25
11	39186093	1	PLUG, 6 POSITION	27	96704671	4	FLATWASHER
12	39186101	1	PLUG, 4 POSITION	28	96741467	4	LOCKWASHER
13	39203443	1	SUPPRESSOR, ARC	29	47499662001	1	INTERLOCK, MECHANICAL
14	39242367	1	PLUG, 2 POSITION	30	47499668001	1	DECAL, FACIA Xe-50
15	47499661	1	TERMINAL, GROUND	31	47504390001	1	RELAY, O/L, 10-13A

BACKPANEL - 11 KW, 400V, 50/60 HZ, S/D - XE-50M



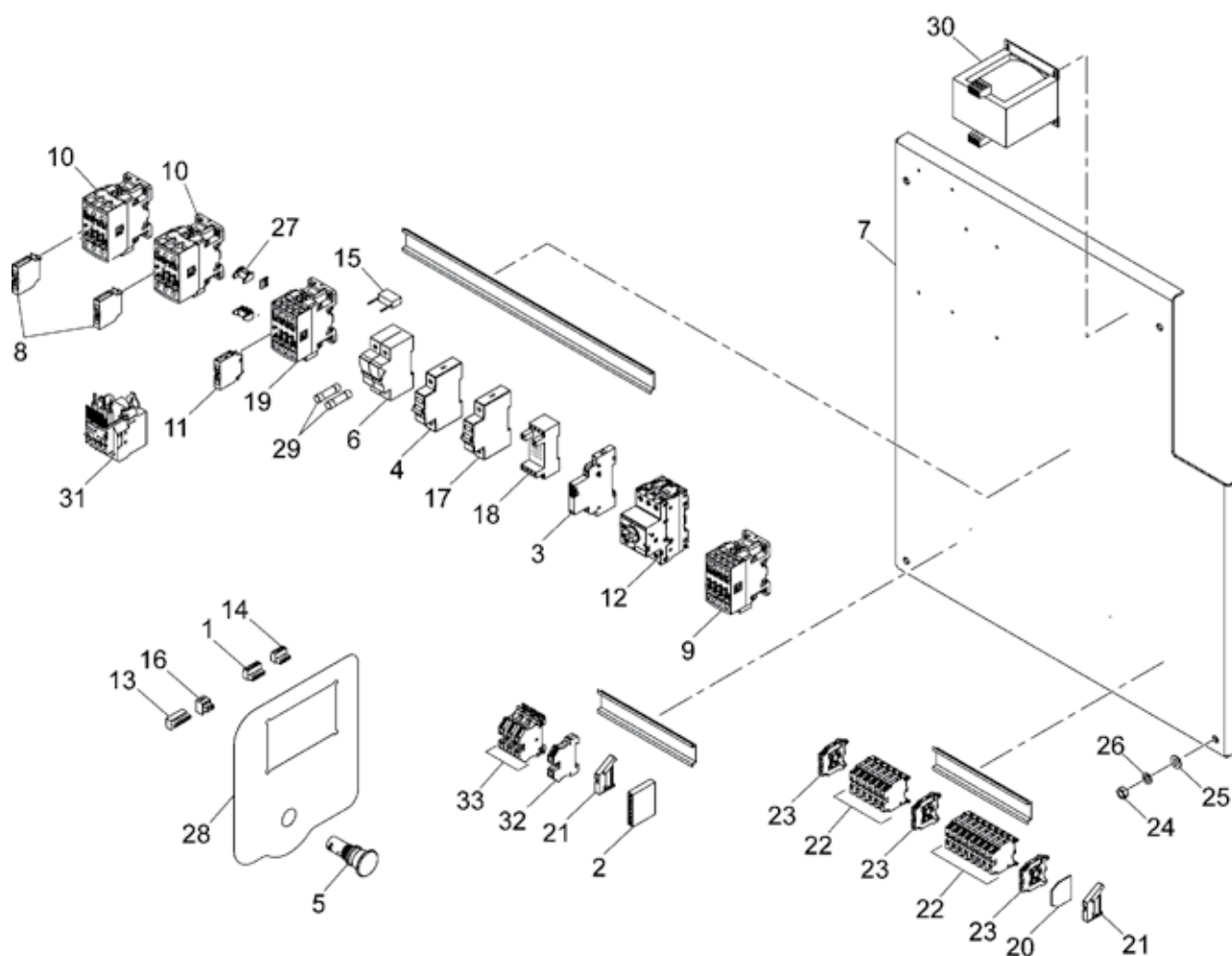
Item	Part No.	Qty	Description	Item	Part No.	Qty	Description
	47499682001	1	BACKPANEL - 11 kW, 400V, 50/60 Hz, S/D	16	47499665	2	FUSE, 0.5A
1	22076699	1	PLUG, 5 POSITION	17	47499666	1	BREAKER, MINI-CIR 1.6A
2	23526478	1	BUS, GROUNDING	18	47499667	1	TRANSFORMER
3	23712301	1	BLOCK, AUX CONTACT	19	47499669	1	BASE, RELAY
4	23770514	1	BREAKER, MINI-CIRCUIT	20	47499683	2	CONTACTOR, 18A
5	23990716	1	SWITCH, EMERGENCY STOP	21	47499684	1	RELAY, O/L
6	24141962	1	HOLDER, FUSE	22	47499941	3	TERMINAL, 41A
7	24185209	1	PANEL, STARTER	23	54612940	1	TERMINAL, END PLATE
8	24469686	2	CONTACTOR, 9A	24	89205397	2	TERMINAL, END STOP
9	24468308	2	BLOCK, AUX. CONTACT	25	93469625	14	TERMINAL, 35A
10	24592560	1	BREAKER, MOTOR 0.4-0.63A	26	93469633	3	TERMINAL, EARTH
11	39186093	1	PLUG, 6 POSITION	27	96701370	4	NUT, M8-1.25
12	39186101	1	PLUG, 4 POSITION	28	96704671	4	FLATWASHER
13	39203443	1	SUPPRESSOR, ARC	29	96741467	4	LOCKWASHER
14	39242367	1	PLUG, 2 POSITION	30	47499662001	1	INTERLOCK, MECHANICAL
15	47499661	1	TERMINAL, GROUND	31	47499668001	1	DECAL, FACIA Xe-50

BACKPANEL - 5.5 KW, 230V, 50/60 HZ, S/D - XE-50M



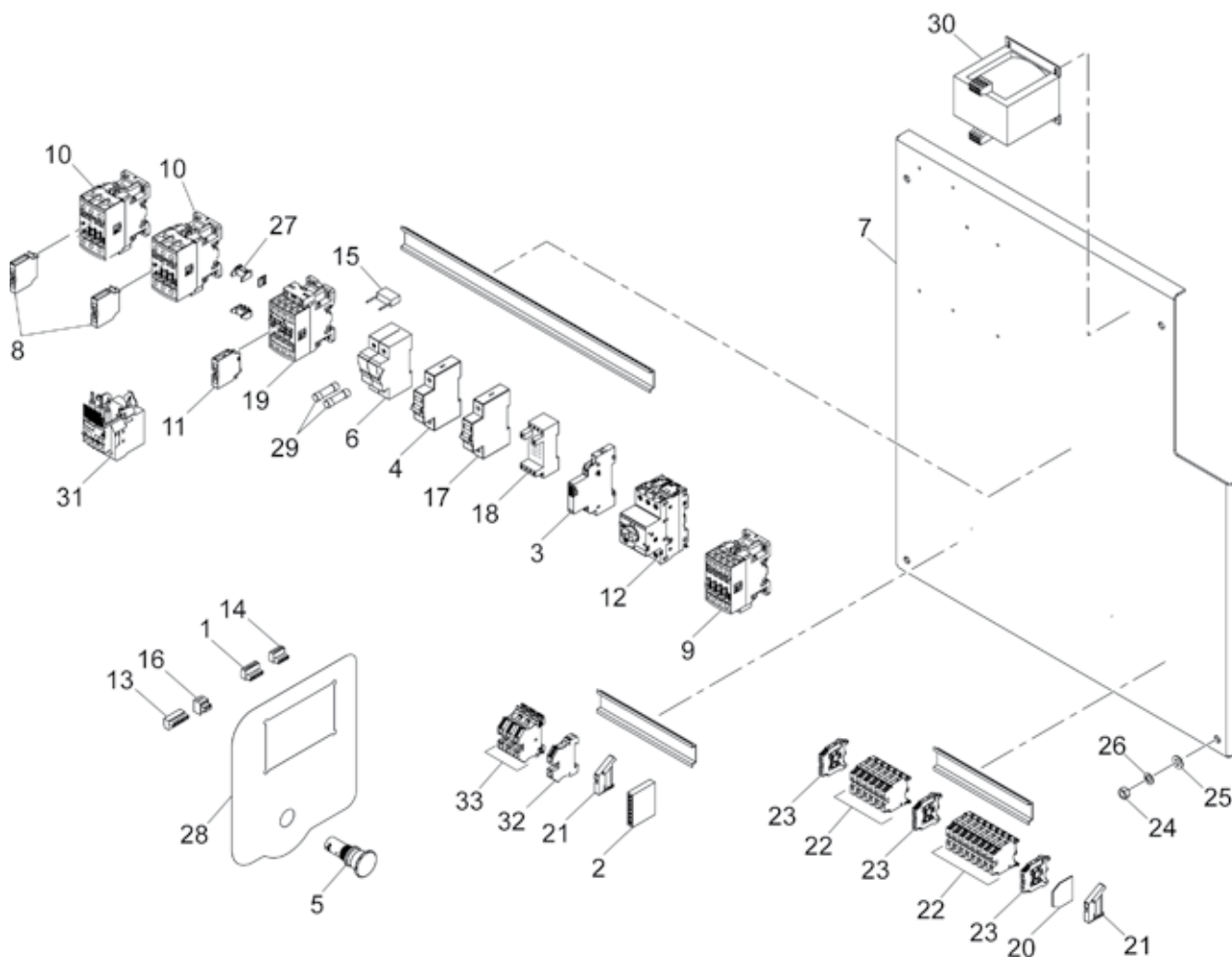
Item	Part No.	Qty	Description	Item	Part No.	Qty	Description
	47521073001	1	BACKPANEL - 5.5 kW, 230V, 50/60 Hz, S/D	16	47499669	1	BASE, RELAY
1	22076699	1	PLUG, 5 POSITION	17	47499683	2	CONTACTOR, 18A
2	23526478	1	BUS, GROUND	18	54612940	1	TERMINAL, END PLATE
3	23712301	1	BLOCK, AUX CONTACT	19	89205397	2	TERMINAL, END STOP
4	23770514	1	BREAKER, MINI-CIRCUIT 3A	20	93469625	14	TERMINAL, 35A
5	23990716	1	SWITCH, EMERGENCY STOP	21	93469633	3	TERMINAL, EARTH
6	24141962	1	HOLDER, FUSE	22	96701370	4	NUT, M8-1.25
7	24185209	1	PANEL, STARTER	23	96704671	4	FLATWASHER
8	24468308	1	BLOCK, AUX. CONTACT	24	96741467	4	LOCKWASHER
9	24469686	2	CONTACTOR, 9A	25	47499662001	1	INTERLOCK, MECHANICAL
10	24592586	1	BREAKER, MOTOR 0.63-1.0A	26	47499668001	1	DECAL, FACIA Xe-50
11	39186093	1	PLUG, 6 POSITION	27	47504390001	1	RELAY, O/L, 10-13A
12	39186101	1	PLUG, 4 POSITION	28	47521061001	2	FUSE, 1A
13	39203443	1	SUPPRESSOR, ARC	29	47521062001	1	TRANSFORMER
14	39242367	1	PLUG, 2 POSITION	30	47539260001	1	TERMINAL, EARTH
15	47499666	1	BREAKER, MINI-CIR 1.6A	31	47539261001	3	TERMINAL, WIRE

BACKPANEL - 7.5 KW, 230V, 50/60 HZ, S/D - XE-50M



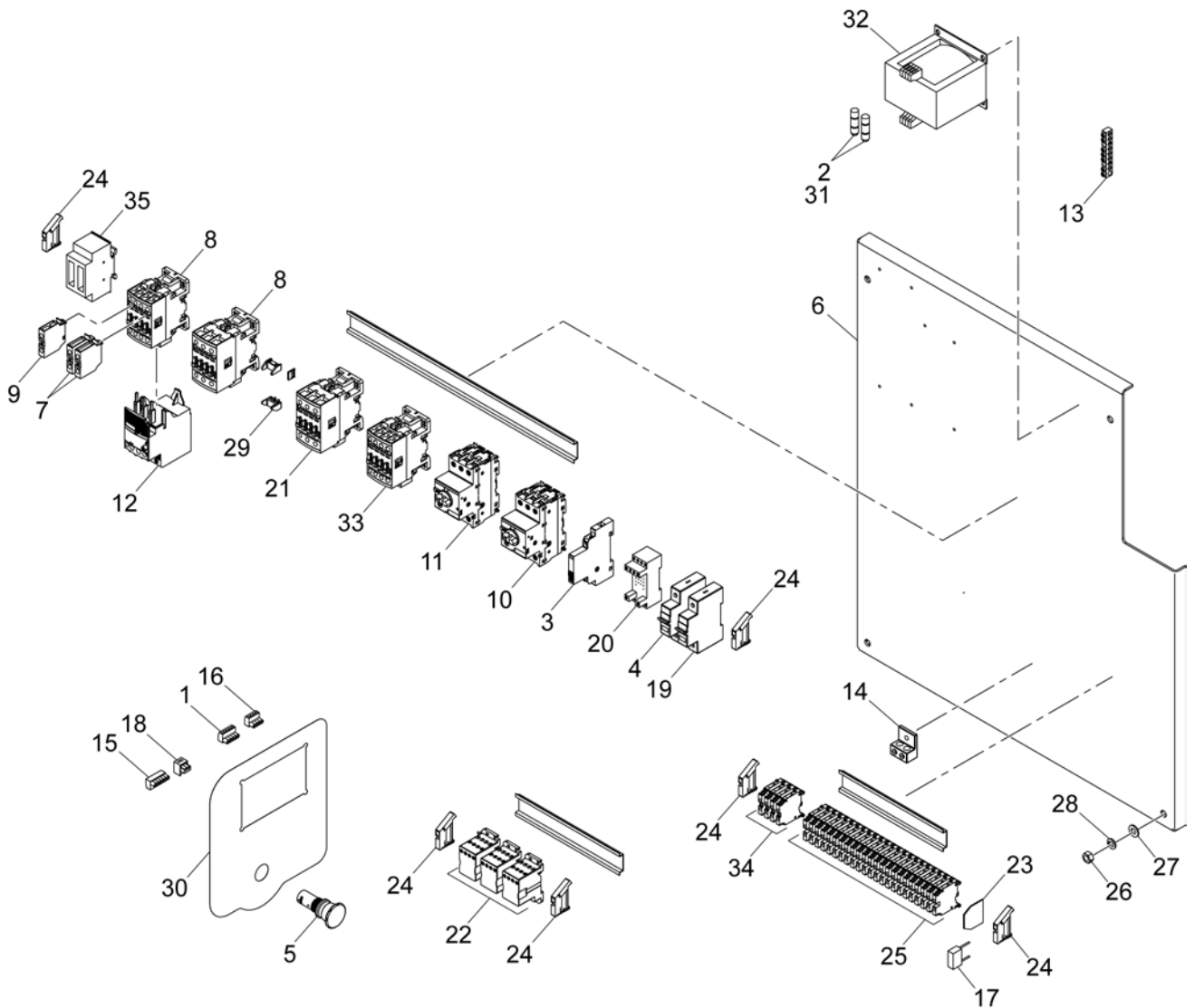
Item	Part No.	Qty	Description	Item	Part No.	Qty	Description
	47521076001	1	BACKPANEL - 7.5 kW, 230V, 50/60 Hz, S/D				
1	22076699	1	PLUG, 5 POSITION	17	47499666	1	BREAKER, MINI-CIR 1.6A
2	23526478	1	BUS, GROUND	18	47499669	1	BASE, RELAY
3	23712301	1	BLOCK, AUX CONTACT	19	47499680	1	CONTACTOR, 12A
4	23770514	1	BREAKER, MINI-CIRCUIT 3A	20	54612940	1	TERMINAL, END PLATE
5	23990716	1	SWITCH, EMERGENCY STOP	21	89205397	2	TERMINAL, END STOP
6	24141962	1	HOLDER, FUSE	22	93469625	14	TERMINAL, 35A
7	24185209	1	PANEL, STARTER	23	93469633	3	TERMINAL, EARTH
8	24468308	2	BLOCK, AUX. CONTACT 1	24	96701370	4	NUT, M8-1.25
9	24469686	1	CONTACTOR, 9A	25	96704671	4	FLATWASHER
10	24469710	2	CONTACTOR, 26A	26	96741467	4	LOCKWASHER
11	24474116	1	CONTACT, AUX	27	47499662001	1	INTERLOCK, MECHANICAL
12	24592586	1	BREAKER, MOTOR 0.63-1.0A	28	47499668001	1	DECAL, FACIA Xe-50
13	39186093	1	PLUG, 6 POSITION	29	47521061001	2	FUSE, 1A
14	39186101	1	PLUG, 4 POSITION	30	47521062001	1	TRANSFORMER
15	39203443	1	SUPPRESSOR, ARC	31	47526211001	1	RELAY, O/L, 16-20A
16	39242367	1	PLUG, 2 POSITION	32	47539260001	1	TERMINAL, EARTH
				33	47539261001	3	TERMINAL, WIRE

BACKPANEL - 11 KW, 230V, 50/60 HZ, S/D - XE-50M



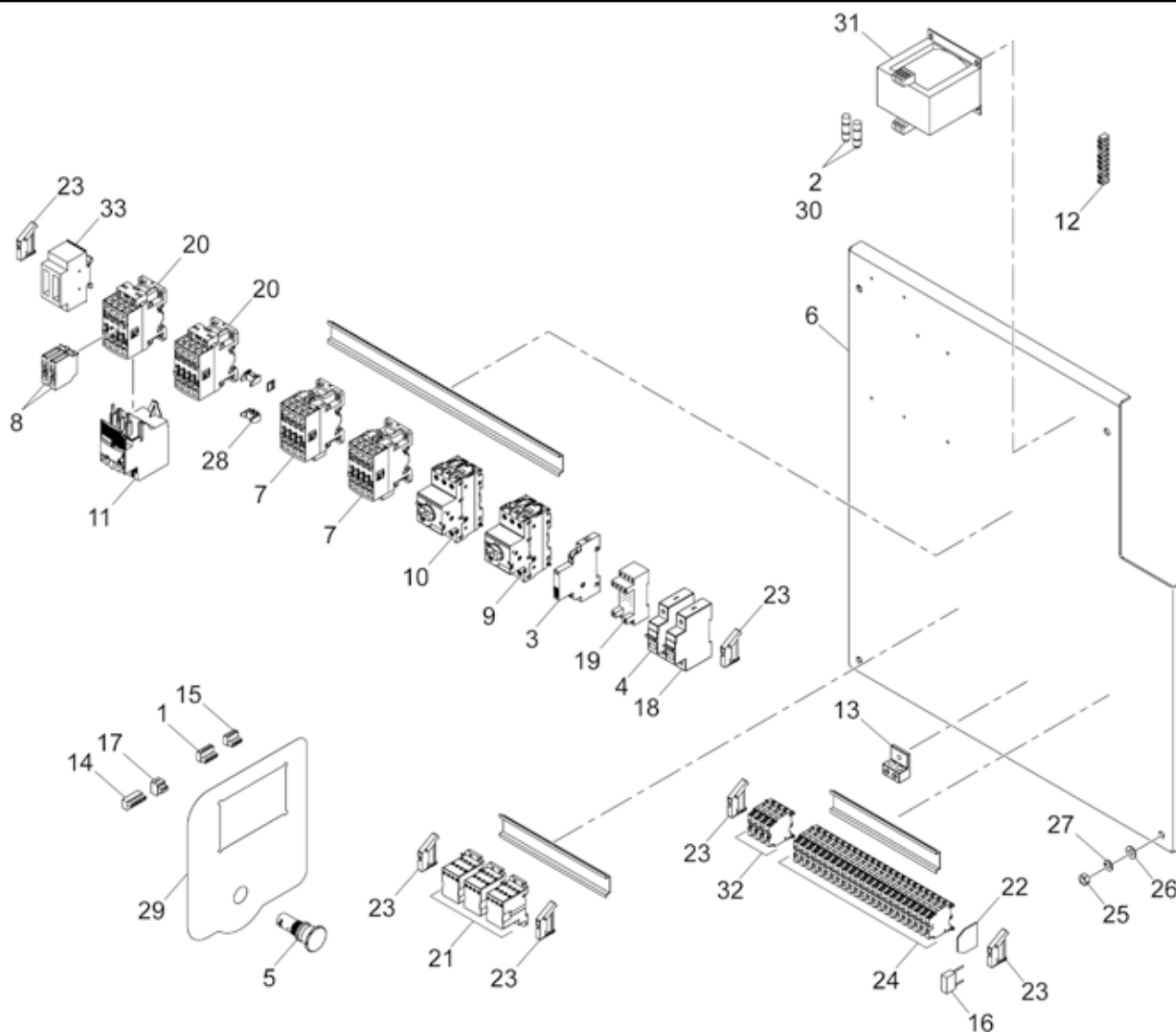
Item	Part No.	Qty	Description	Item	Part No.	Qty	Description
	47521078001	1	BACKPANEL - 11 kW, 230V, 50/60 Hz, S/D	17	47499666	1	BREAKER, MINI-CIR 1.6A
1	22076699	1	PLUG, 5 POSITION	18	47499669	1	BASE, RELAY SCHRACK
2	23526478	1	BUS, GROUND	19	47499683	1	CONTACTOR, 18A
3	23712301	1	BLOCK, AUX CONTACT	20	54612940	1	TERMINAL, END PLATE
4	23770514	1	BREAKER, MINI-CIRCUIT 3A	21	89205397	2	TERMINAL, END STOP
5	23990716	1	SWITCH, EMERGENCY STOP	22	93469625	14	TERMINAL, 35A
6	24141962	1	HOLDER, FUSE	23	93469633	3	TERMINAL, EARTH
7	24185209	1	PANEL, STARTER	24	96701370	4	NUT, M8-1.25
8	24468308	2	BLOCK, AUX. CONTACT 1	25	96704671	4	FLATWASHER
9	24469686	1	CONTACTOR, 9A	26	96741467	4	LOCKWASHER
10	24469710	2	CONTACTOR, 26A	27	47499662001	1	INTERLOCK, MECHANICAL
11	24474116	1	CONTACT, AUX	28	47499668001	1	DECAL, FACIA Xe-50
12	24592586	1	BREAKER, MOTOR 0.63-1.0A	29	47521061001	2	FUSE, 1A
13	39186093	1	PLUG, 6 POSITION	30	47521062001	1	TRANSFORMER
14	39186101	1	PLUG, 4 POSITION	31	47526212001	1	RELAY, O/L, 24-29A
15	39203443	1	SUPPRESSOR, ARC	32	47539260001	1	TERMINAL, EARTH
16	39242367	1	PLUG, 2 POSITION	33	47539261001	3	TERMINAL, WIRE

BACKPANEL - 10 HP, 208-230/460V, 50/60 HZ, S/D - XE-50M



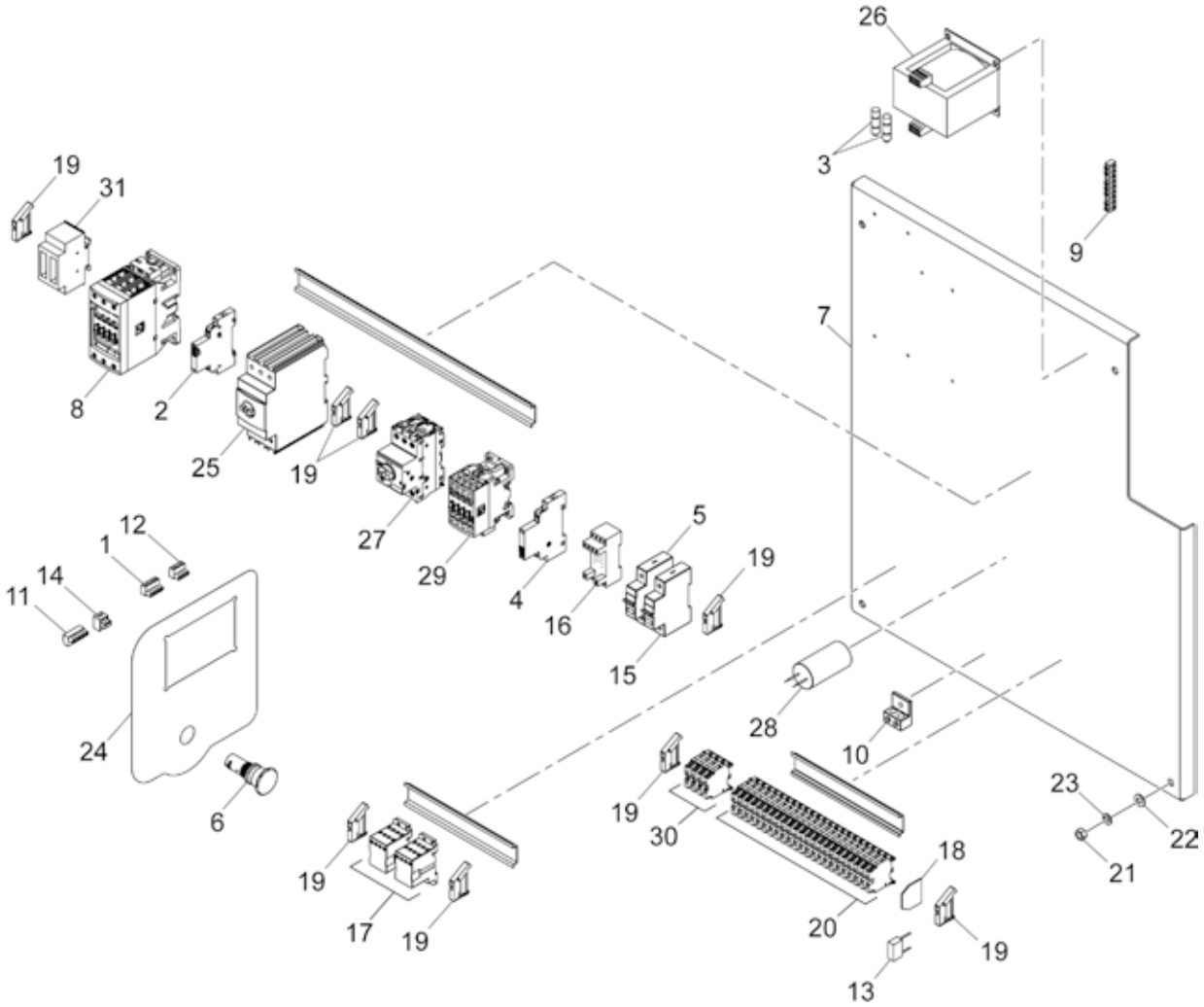
Item	Part No.	Qty	Description	Item	Part No.	Qty	Description
	47519036001	1	BACKPANEL - 10 hp, 208-230/460V, 50/60 Hz, S/D	18	39242367	1	PLUG, 2 POSITION
1	22076699	1	PLUG, 5 POSITION	19	47499666	1	BREAKER, MINI-CIR 1.6A
2	22269682	2	FUSE, TIME DELAY	20	47499669	1	BASE, RELAY
3	23712301	2	BLOCK, AUX CONTACT	21	47499680	1	CONTACTOR, 12A
4	23770514	1	BREAKER, MINI-CIRCUIT 3A	22	23056328	3	BLOCK, POWER
5	23990716	1	SWITCH, EMERGENCY STOP	23	54612940	1	TERMINAL, END PLATE
6	24185209	1	PANEL, STARTER	24	89205397	6	TERMINAL, END STOP
7	24468308	2	BLOCK, AUX. CONTACT	25	93469625	23	TERMINAL, 35A
8	24469710	2	CONTACTOR, 26A	26	96701370	4	NUT, M8-1.25
9	24474116	1	CONTACT, AUX	27	96704671	4	FLATWASHER
10	24592560	1	BREAKER, MOTOR 0.4-0.63A	28	96741467	4	LOCKWASHER
11	24592586	1	BREAKER, MOTOR 0.63-1A	29	47499662001	1	INTERLOCK, MECHANICAL
12	24730152	1	RELAY, OVERLOAD, 9-30A	30	47499668001	1	DECAL, FACIA Xe-50
13	32342115	1	BUS, GROUNDING	31	47504387001	2	FUSE, 0.5A
14	49089089	1	LUG, GROUNDING	32	47518259001	1	TRANSFORMER
15	39186093	1	PLUG, 6 POSITION	33	24469686	1	CONTACTOR, 9A
16	39186101	1	PLUG, 4 POSITION	34	93469633	4	TERMINAL, EARTH
17	39203443	1	SUPPRESSOR, ARC	35	22505788	1	HOLDER, FUSE

BACKPANEL - 7.5 HP, 208-230/460V, 50/60 HZ, S/D - XE-50M



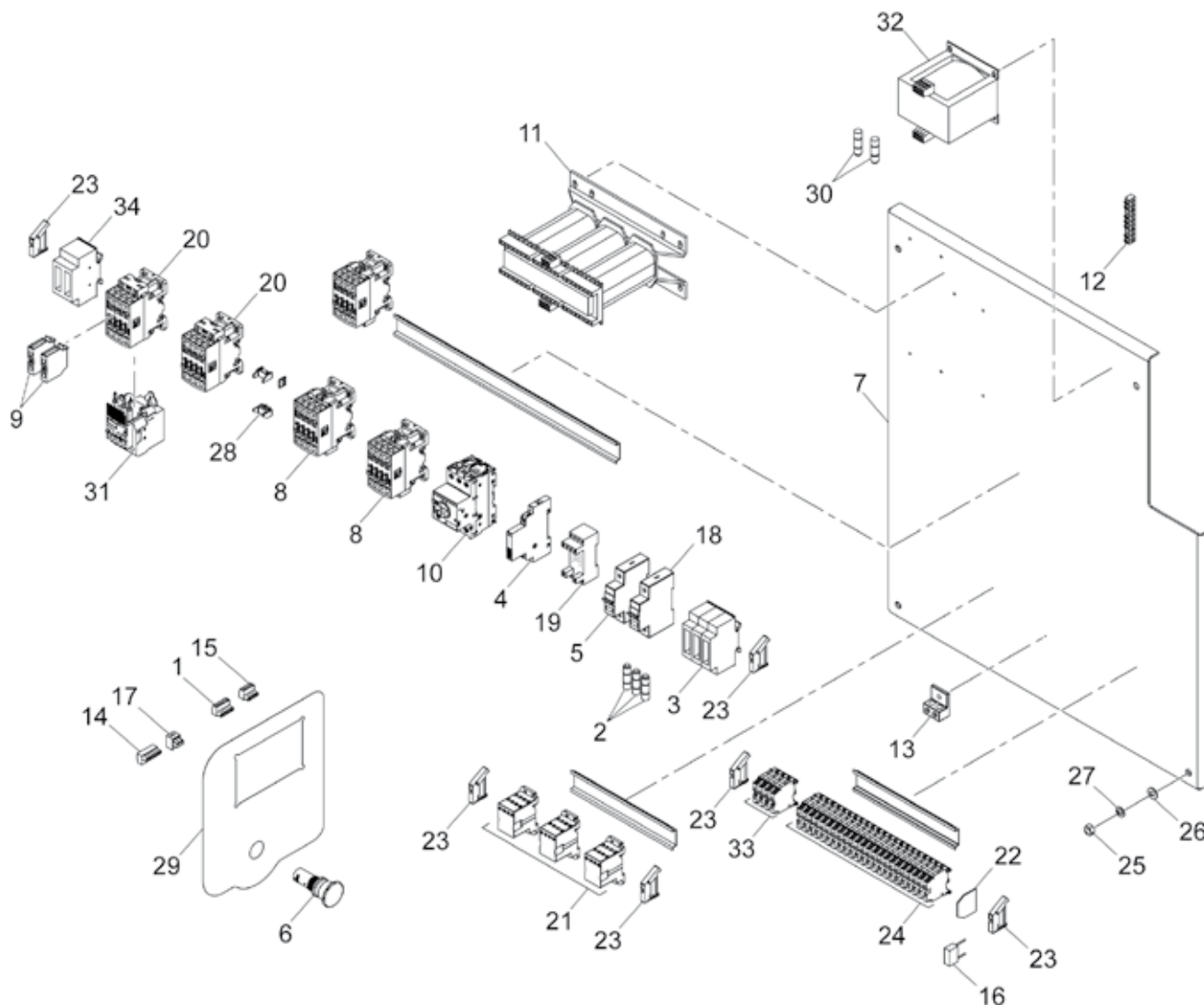
Item	Part No.	Qty	Description	Item	Part No.	Qty	Description
	47519034001	1	BACKPANEL - 7.5 hp, 208-230/460V, 50/60 Hz, S/D	17	39242367	1	PLUG, 2 POSITION
1	22076699	1	PLUG, 5 POSITION	18	47499666	1	BREAKER, MINI-CIR 1.6A
2	22269682	2	FUSE, TIME DELAY	19	47499669	1	BASE, RELAY
3	23712301	2	BLOCK, AUX CONTACT	20	47499683	2	CONTACTOR, 18A
4	23770514	1	BREAKER, MINI-CIRCUIT 3A	21	23056328	3	BLOCK, POWER 1-POLE
5	23990716	1	SWITCH, EMERGENCY STOP	22	54612940	1	TERMINAL, END PLATE
6	24185209	1	PANEL, STARTER	23	89205397	6	TERMINAL, END STOP
7	24469686	2	CONTACTOR, 9A	24	93469625	23	TERMINAL, 35A.07
8	24468308	2	BLOCK, AUX. CONTACT	25	96701370	4	NUT, M8-1.25
9	24592560	1	BREAKER, MOTOR 0.4-0.63A	26	96704671	4	FLATWASHER
10	24592586	1	BREAKER, MOTOR 0.63-1.0A	27	96741467	4	LOCKWASHER
11	24730178	1	RELAY, O/L E 5.7-18.9A	28	47499662001	1	INTERLOCK, MECHANICAL
12	32342115	1	BUS, GROUNDING	29	47499668001	1	DECAL, FACIA Xe-50
13	49089089	1	LUG, GROUNDING	30	47504387001	2	FUSE, 0.5A
14	39186093	1	PLUG, 6 POSITION	31	47518259001	1	TRANSFORMER
15	39186101	1	PLUG, 4 POSITION	32	93469633	4	TERMINAL, EARTH
16	39203443	1	SUPPRESSOR, ARC	33	22505788	1	HOLDER, FUSE 2-POLE

BACKPANEL - 5/7.5 HP, 1PH 208/230V, 60 HZ, DOL - XE-50M



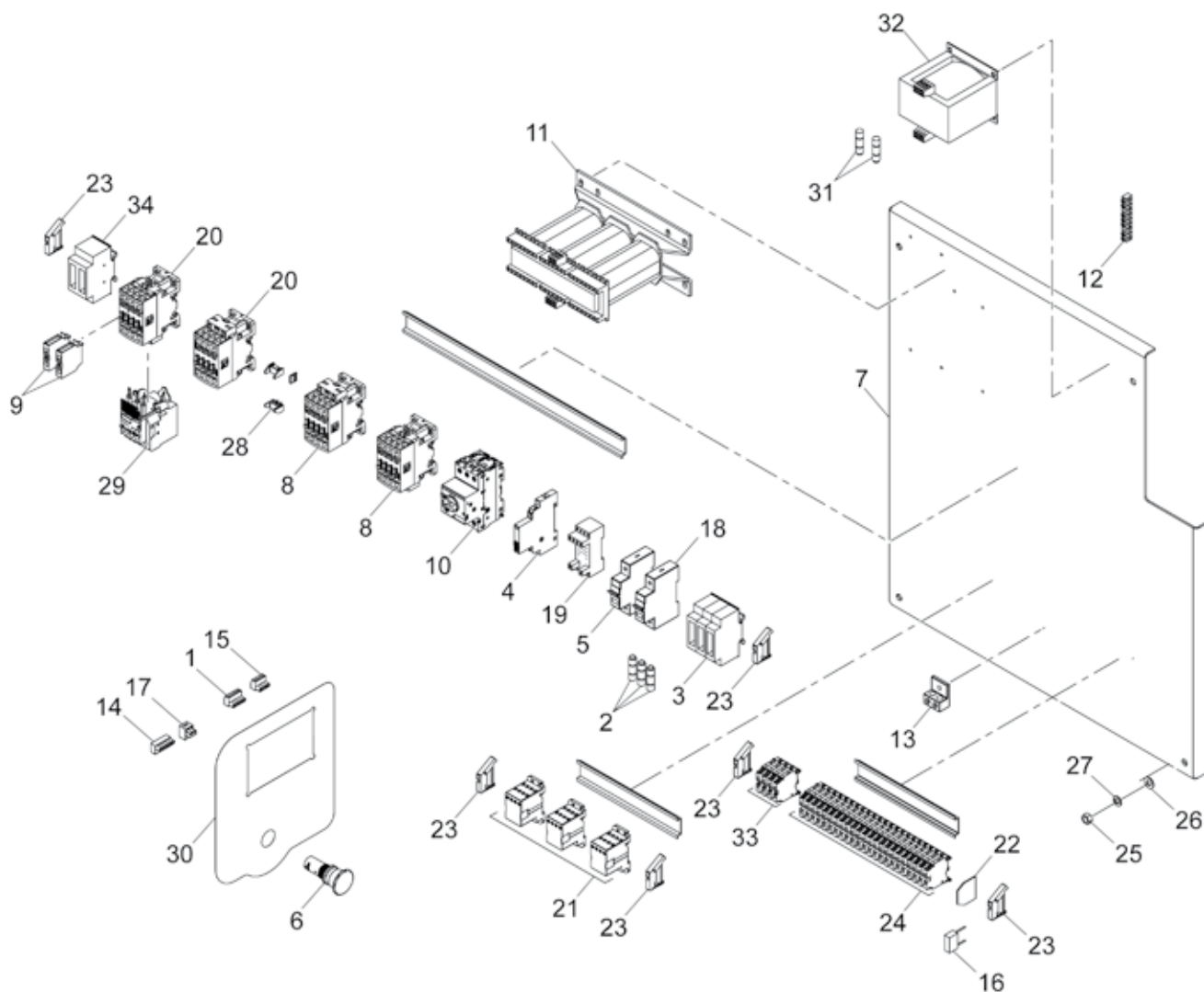
Item	Part No.	Qty	Description	Item	Part No.	Qty	Description
	47505662001	1	BACKPANEL - 5/7.5 hp, 1PH 208/230V, 60 Hz, DOL	16	47499669	1	BASE, RELAY
1	22076699	1	PLUG, 5 POSITION	17	23056328	2	BLOCK, POWER
2	24482887	1	CONTACT, AUXILIARY	18	54612940	1	TERMINAL, END PLATE
3	22269682	2	FUSE, TIME DELAY	19	89205397	8	TERMINAL, END STOP
4	23712301	1	BLOCK, AUX CONTACT	20	93469625	23	TERMINAL, 35A
5	23770514	1	BREAKER, MINI-CIRCUIT 3A	21	96701370	4	NUT, M8-1.25
6	23990716	1	SWITCH, EMERGENCY STOP	22	96704671	4	FLATWASHER
7	24185209	1	PANEL, STARTER	23	96741467	4	LOCKWASHER
8	24738924	1	CONTACTOR, 52A	24	47499668001	1	DECAL, FACIA Xe-50
9	32342115	1	BUS, GROUNDING	25	47562054001	1	STARTER, MANUAL MTR
10	49089089	1	LUG, GROUNDING	26	47518259001	1	TRANSFORMER
11	39186093	1	PLUG, 6 POSITION	27	47518985001	1	BREAKER, MOTOR 1.6-2.5A
12	39186101	1	PLUG, 4 POSITION	28	47518986001	1	CAPACITOR, FAN MOTOR
13	39203443	1	SUPPRESSOR, ARC	29	24469686	1	CONTACTOR, 9A
14	39242367	1	PLUG, 2 POSITION	30	93469633	4	TERMINAL, EARTH
15	47499666	1	BREAKER, MINI-CIR 1.6A	31	22505788	1	HOLDER, FUSE 2-POLE

BACKPANEL - 7.5 HP, 575V, 50/60 HZ, S/D - XE-50M



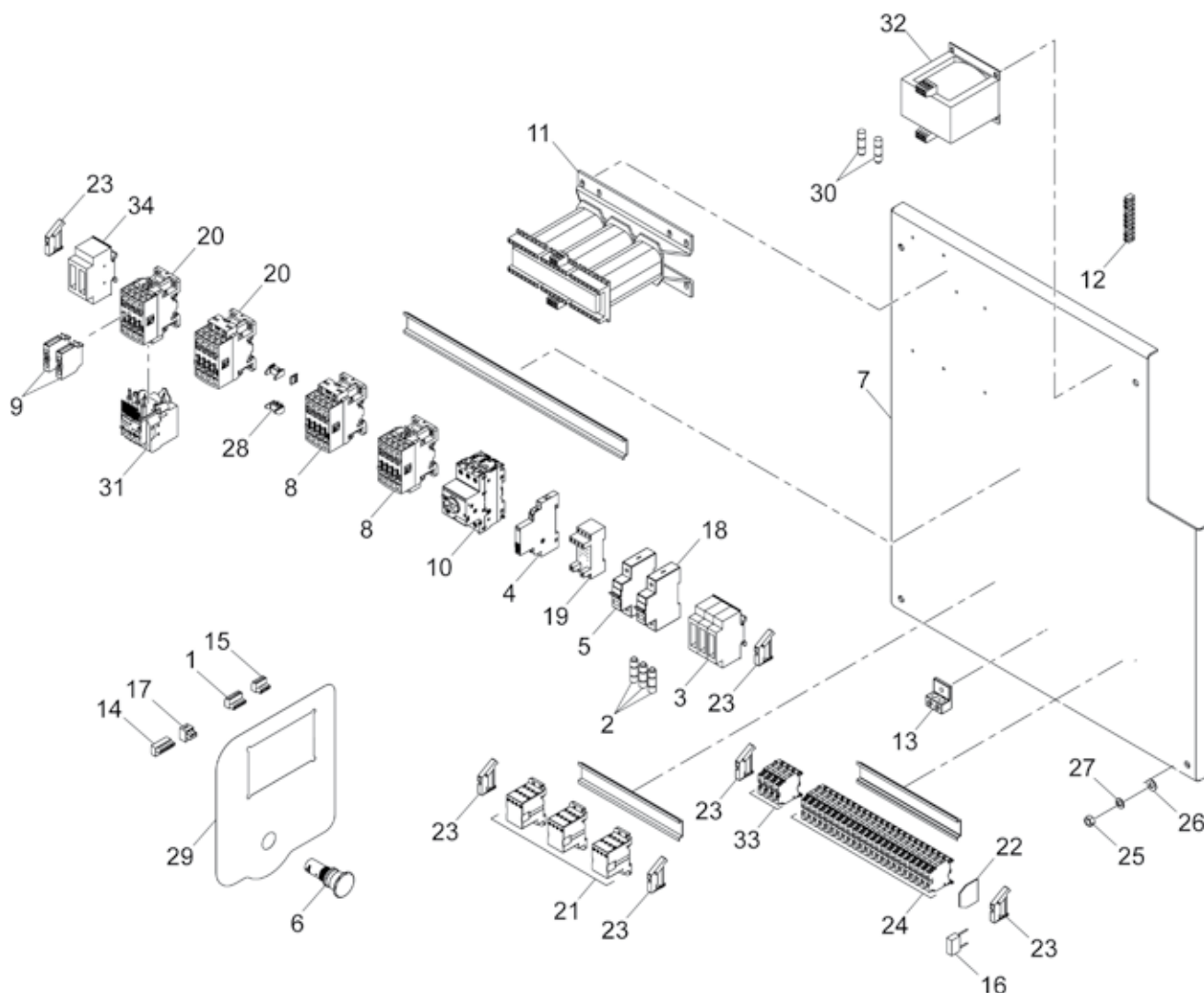
Item	Part No.	Qty	Description	Item	Part No.	Qty	Description
	47519048001	1	BACKPANEL - 7.5 hp, 575V, 50/60 Hz S/D	17	39242367	1	PLUG, 2 POSITION
1	22076699	1	PLUG, 5 POSITION	18	47499666	1	BREAKER, MINI-CIR 1.6A
2	22269682	3	FUSE, TIME DELAY	19	47499669	1	BASE, RELAY
3	22344253	1	HOLDER, FUSE 3-POLE	20	47499683	2	CONTACTOR, 18A
4	23712301	1	BLOCK, AUX CONTACT	21	23056328	3	BLOCK, POWER
5	23770514	1	BREAKER, MINI-CIRCUIT 3A	22	54612940	1	TERMINAL, END PLATE
6	23990716	1	SWITCH, EMERGENCY STOP	23	89205397	6	TERMINAL, END STOP
7	24185209	1	PANEL, STARTER	24	93469625	23	TERMINAL, 35A
8	24469686	2	CONTACTOR, 9A	25	96701370	4	NUT, M8-1.25
9	24468308	2	BLOCK, AUX. CONTACT	26	96704671	4	FLATWASHER
10	24592586	1	BREAKER, MOTOR 0.63-1.0A	27	96741467	4	LOCKWASHER
11	24592594	1	TRANSFORMER	28	47499662001	1	INTERLOCK, MECHANICAL
12	32342115	1	BUS, GROUNDING	29	47499668001	1	DECAL, FACIA Xe-50
13	49089089	1	LUG, GROUNDING	30	47504387001	2	FUSE, 0.5A
14	39186093	1	PLUG, 6 POSITION	31	47506172001	1	RELAY, O/L 4.2-5.7A
15	39186101	1	PLUG, 4 POSITION	32	47518259001	1	TRANSFORMER
16	39203443	1	SUPPRESSOR, ARC	33	93469633	4	TERMINAL, EARTH
				34	22505788	1	HOLDER, FUSE 2-POLE

BACKPANEL - 10 HP, 575V, 50/60 HZ, S/D - XE-50M



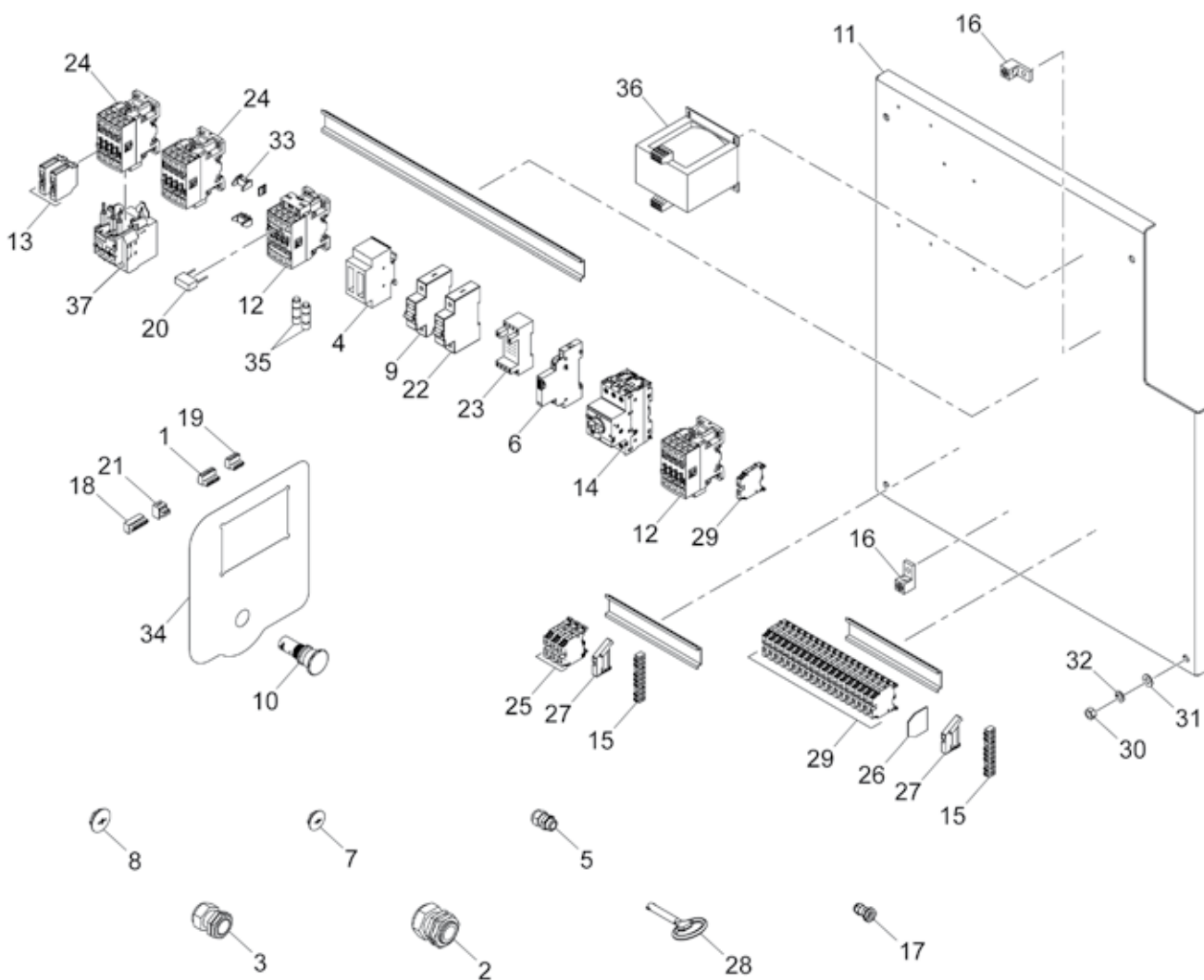
Item	Part No.	Qty	Description	Item	Part No.	Qty	Description
	47519052001	1	BACKPANEL - 10 hp, 575V, 50/60 Hz, S/D	17	39242367	1	PLUG, 2 POSITION
1	22076699	1	PLUG, 5 POSITION	18	47499666	1	BREAKER, MINI-CIR 1.6A
2	22269682	3	FUSE, TIME DELAY	19	47499669	1	BASE, RELAY
3	22344253	1	HOLDER, 3-POLE FUSE	20	47499683	2	CONTACTOR, 18A
4	23712301	1	BLOCK, AUX CONTACT	21	23056328	3	BLOCK, POWER 1-POLE
5	23770514	1	BREAKER, MINI-CIRCUIT 3A	22	54612940	1	TERMINAL, END PLATE
6	23990716	1	SWITCH, EMERGENCY STOP	23	89205397	6	TERMINAL, END STOP
7	24185209	1	PANEL, STARTER	24	93469625	23	TERMINAL, 35A
8	24469686	2	CONTACTOR, 9A	25	96701370	4	NUT, M8-1.25
9	24468308	2	BLOCK, AUX. CONTACT	26	96704671	4	FLATWASHER
10	24592586	1	BREAKER, MOTOR 0.63-1.0A	27	96741467	4	LOCKWASHER
11	24592594	1	TRANSFORMER	28	47499662001	1	INTERLOCK, MECHANICAL
12	32342115	1	BUS, GROUNDING	29	47499663001	1	RELAY, O/L, 5.7-7.6A
13	49089089	1	LUG, GROUNDING	30	47499668001	1	DECAL, FACIA Xe-50
14	39186093	1	PLUG, 6 POSITION	31	47504387001	2	FUSE, 0.5A
15	39186101	1	PLUG, 4 POSITION	32	47518259001	1	TRANSFORMER
16	39203443	1	SUPPRESSOR, ARC	33	93469633	4	TERMINAL, EARTH
				34	22505788	1	HOLDER, FUSE 2-POLE

BACKPANEL - 15 HP, 575V, 50/60 HZ, S/D - XE-50M



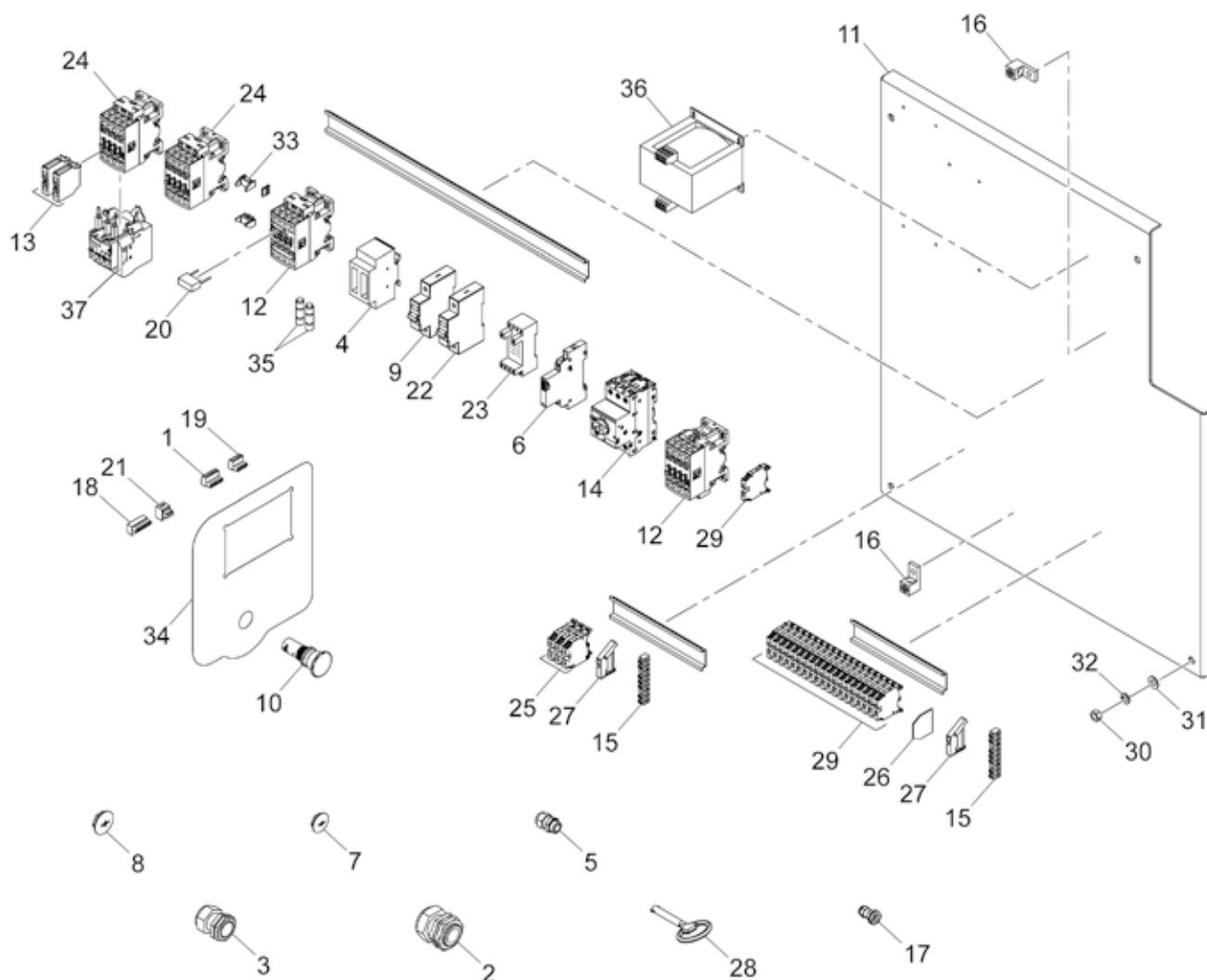
Item	Part No.	Qty	Description	Item	Part No.	Qty	Description
	47519054001	1	BACKPANEL - 15 hp, 575V, 50/60 Hz, S/D	17	39242367	1	PLUG, 2 POSITION
1	22076699	1	PLUG, 5 POSITION	18	47499666	1	BREAKER, MINI-CIR 1.6A
2	22269682	3	FUSE, TIME DELAY	19	47499669	1	BASE, RELAY
3	22344253	1	HOLDER, 3-POLE FUSE	20	47499683	2	CONTACTOR, 18A
4	23712301	1	BLOCK, AUX CONTACT	21	23056328	3	BLOCK, POWER 1-POLE
5	23770514	1	BREAKER, MINI-CIRCUIT 3A	22	54612940	1	TERMINAL, END PLATE
6	23990716	1	SWITCH, EMERGENCY STOP	23	89205397	6	TERMINAL, END STOP
7	24185209	1	PANEL, STARTER	24	93469625	23	TERMINAL, 35A
8	24469686	2	CONTACTOR, 9A	25	96701370	4	NUT, M8-1.25
9	24468308	2	BLOCK, AUX. CONTACT	26	96704671	4	FLATWASHER
10	24592586	1	BREAKER, MOTOR 0.63-1.0A	27	96741467	4	LOCKWASHER
11	24592594	1	TRANSFORMER	28	47499662001	1	INTERLOCK, MECHANICAL
12	32342115	1	BUS, GROUNDING	29	47499668001	1	DECAL, FACIA Xe-50
13	49089089	1	LUG, GROUNDING	30	47504387001	2	FUSE, 0.5A
14	39186093	1	PLUG, 6 POSITION	31	47504390001	1	RELAY, O/L, 10-13A
15	39186101	1	PLUG, 4 POSITION	32	47518259001	1	TRANSFORMER
16	39203443	1	SUPPRESSOR, ARC	33	93469633	4	TERMINAL, EARTH
				34	22505788	1	HOLDER, FUSE 2-POLE

BACKPANEL - 7.5/10 HP, 380/440V, 50/60 HZ, S/D - XE-50M



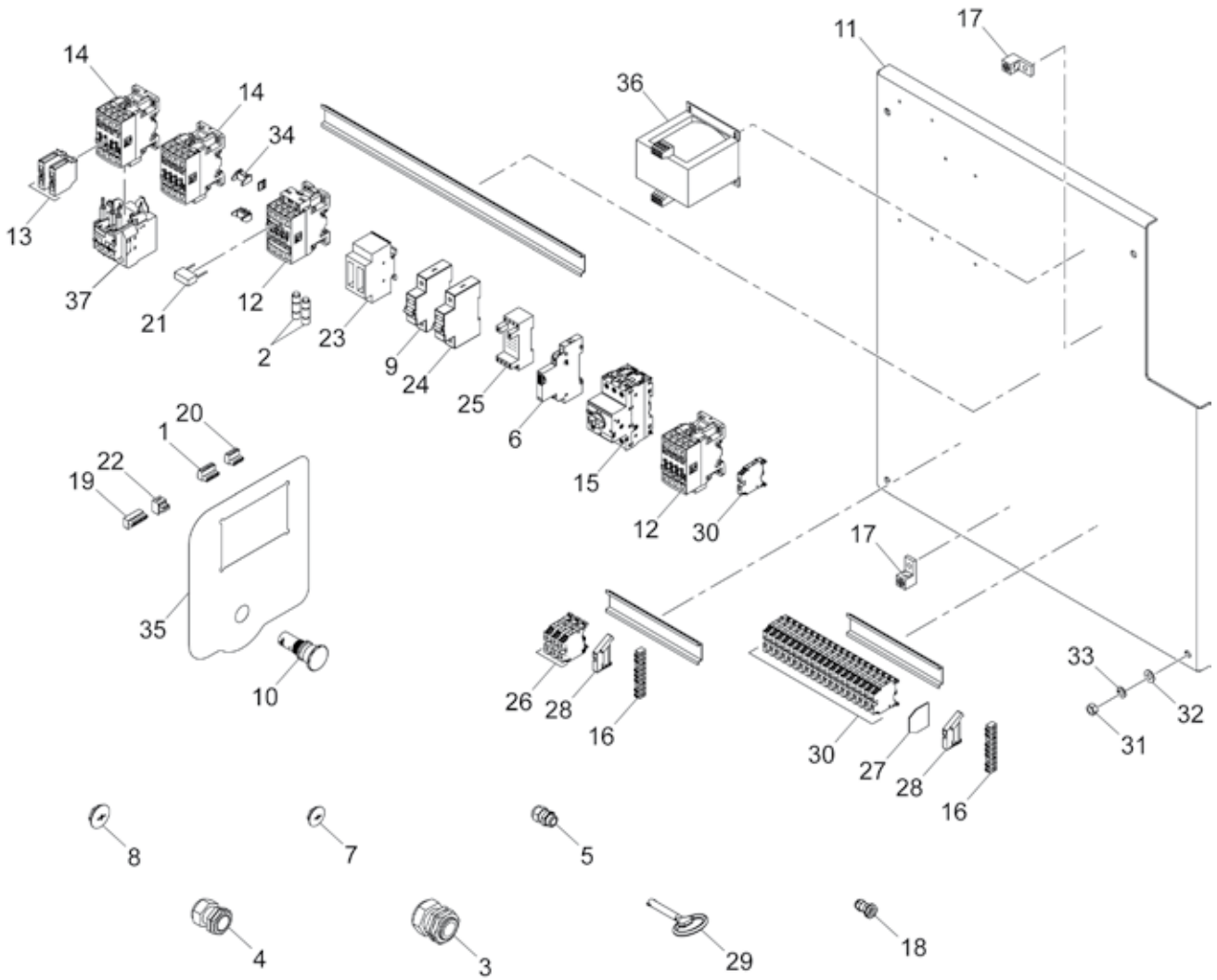
Item	Part No.	Qty	Description	Item	Part No.	Qty	Description
	47526208001	1	BACKPANEL - 7.5/10 hp, 380/440V, 50/60 Hz, S/D	21	39242367	1	PLUG, 2 POSITION
1	22076699	1	PLUG, 5 POSITION	22	47499666	1	BREAKER, MINI-CIR 1.6A
2	22376776	1	GLAND, CABLE M32 X 1.5	23	47499669	1	BASE, RELAY
3	22501720	1	GLAND, CABLE M25 X 1.5	24	47499680	2	CONTACTOR, 12A
4	22505788	1	HOLDER, FUSE 2-POLE	25	47499941	3	TERMINAL, 41A
5	23635816	3	GLAND, CABLE M16 X 1.5	26	54612940	1	TERMINAL, END PLATE
6	23712301	1	BLOCK, AUX CONTACT	27	89205397	2	TERMINAL, END STOP
7	23712343	1	PLUG, M25 BLACK	28	89295091	1	KEY, DOOR
8	23745995	3	PLUG M16, BLACK	29	93469625	20	TERMINAL, 35A
9	23770514	1	BREAKER, MINI-CIRCUIT 3A	30	96701370	4	NUT, M8-1.25
10	23990716	1	SWITCH, EMERGENCY STOP	31	96704671	4	FLATWASHER
11	24185209	1	PANEL, MOUNTING STARTER	32	96741467	4	LOCKWASHER
12	24469686	2	CONTACTOR, 9A	33	47499662001	1	INTERLOCK, MECHANICAL
13	24468308	2	BLOCK, AUX. CONTACT	34	47499668001	1	DECAL, FACIA Xe-50
14	24592560	1	BREAKER, MOTOR 0.4-0.63A	35	47504387001	2	FUSE, 0.5A
15	32342115	2	BUS, GROUNDING	36	47526206001	1	TRANSFORMER
16	32342123	2	LUG, POWER GROUNDING	37	47499663001	1	RELAY, O/L, 5.7-7.6A, 7.5hp 440 V
17	39173927	1	GLAND, CABLE		47499681001	1	RELAY, O/L 7.60-10A 7.5hp 380 V / 10hp 440 V
18	39186093	1	PLUG, 6 POSITION		47504390001	1	RELAY, O/L, 10-13A 10hp 380 V
19	39186101	1	PLUG, 4 POSITION				
20	39203443	1	SUPPRESSOR, ARC				

BACKPANEL - 15 HP, 380V, 50/60 HZ, S/D - XE-50M



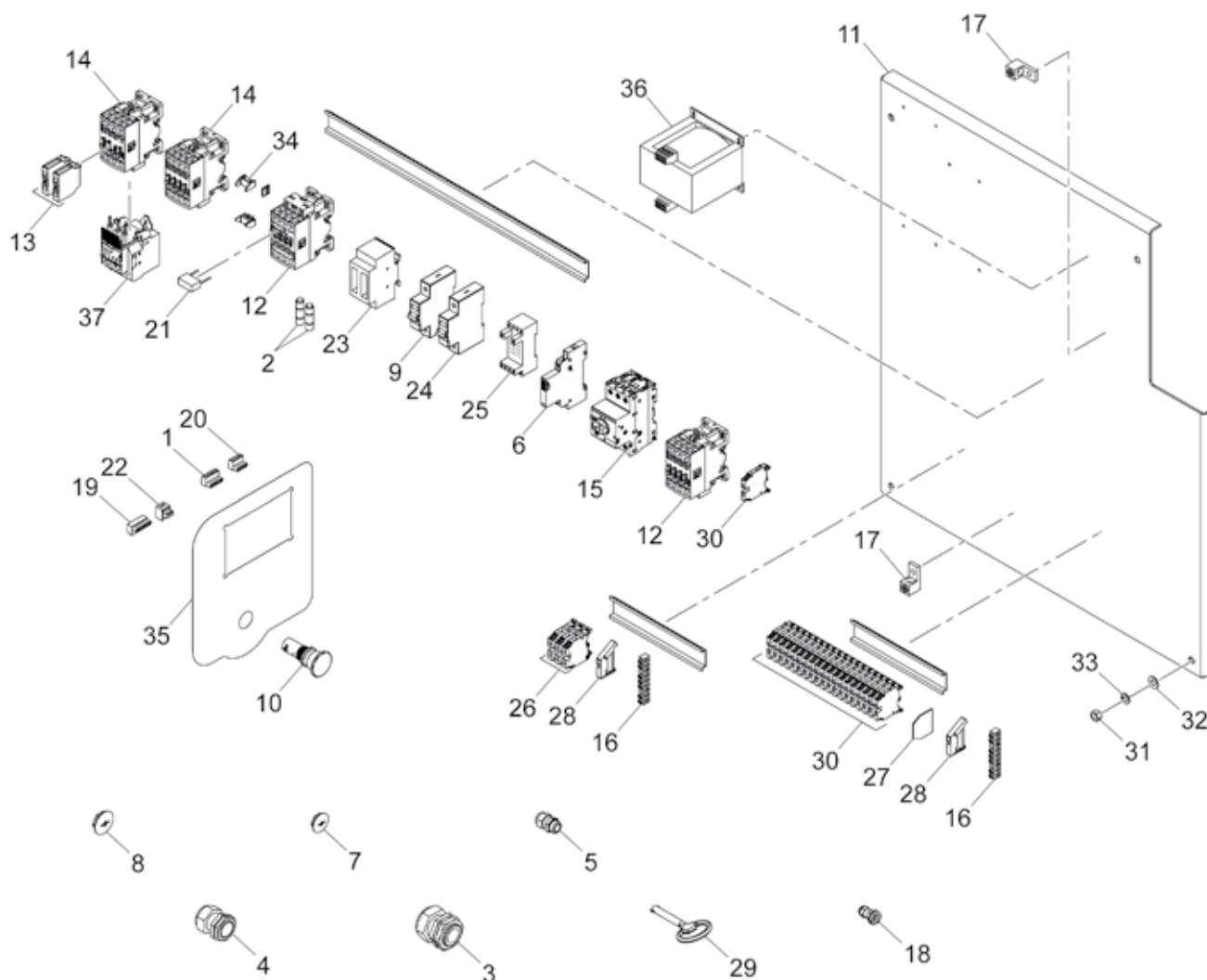
Item	Part No.	Qty	Description	Item	Part No.	Qty	Description
	47526210001	1	BACKPANEL - 15 hp, 380V, 50/60 Hz, S/D	19	39186101	1	PLUG, 4 POSITION
1	22076699	1	PLUG, 5 POSITION	20	39203443	1	SUPPRESSOR, ARC
2	22376776	1	GLAND, CABLE M32 X 1.5	21	39242367	1	PLUG, 2 POSITION
3	22501720	1	GLAND, CABLE M25 X 1.5	22	47499666	1	BREAKER, MINI-CIR 1.6A
4	22505788	1	HOLDER, FUSE 2-POLE	23	47499669	1	BASE, RELAY
5	23635816	3	GLAND, CABLE M16 X 1.5	24	47499683	2	CONTACTOR, 18A
6	23712301	1	BLOCK, AUX CONTACT	25	47499941	3	TERMINAL, 41A
7	23712343	1	PLUG, M25 BLACK	26	54612940	1	TERMINAL, END PLATE
8	23745995	3	PLUG M16, BLACK	27	89205397	2	TERMINAL, END STOP
9	23770514	1	BREAKER, MINI-CIRCUIT 3A	28	89295091	1	KEY, DOOR
10	23990716	1	SWITCH, EMERGENCY STOP	29	93469625	20	TERMINAL, 35A
11	24185209	1	PANEL, STARTER	30	96701370	4	NUT, M8-1.25
12	24469686	2	CONTACTOR, 9A	31	96704671	4	FLATWASHER
13	24468308	2	BLOCK, AUX. CONTACT	32	96741467	4	LOCKWASHER
14	24592560	1	BREAKER, MOTOR 0.4-0.63A	33	47499662001	1	INTERLOCK, MECHANICAL
15	32342115	2	BUS, GROUND	34	47499668001	1	DECAL, FACIA Xe-50
16	32342123	2	LUG, POWER GROUND	35	47504387001	2	FUSE, 0.5A
17	39173927	1	GLAND, CABLE	36	47526206001	1	TRANSFORMER
18	39186093	1	PLUG, 6 POSITION	37	47499684001	1	RELAY, O/L, 13-16A

BACKPANEL - 7.5/10 HP, 220V, 50/60 HZ, S/D - XE-50M



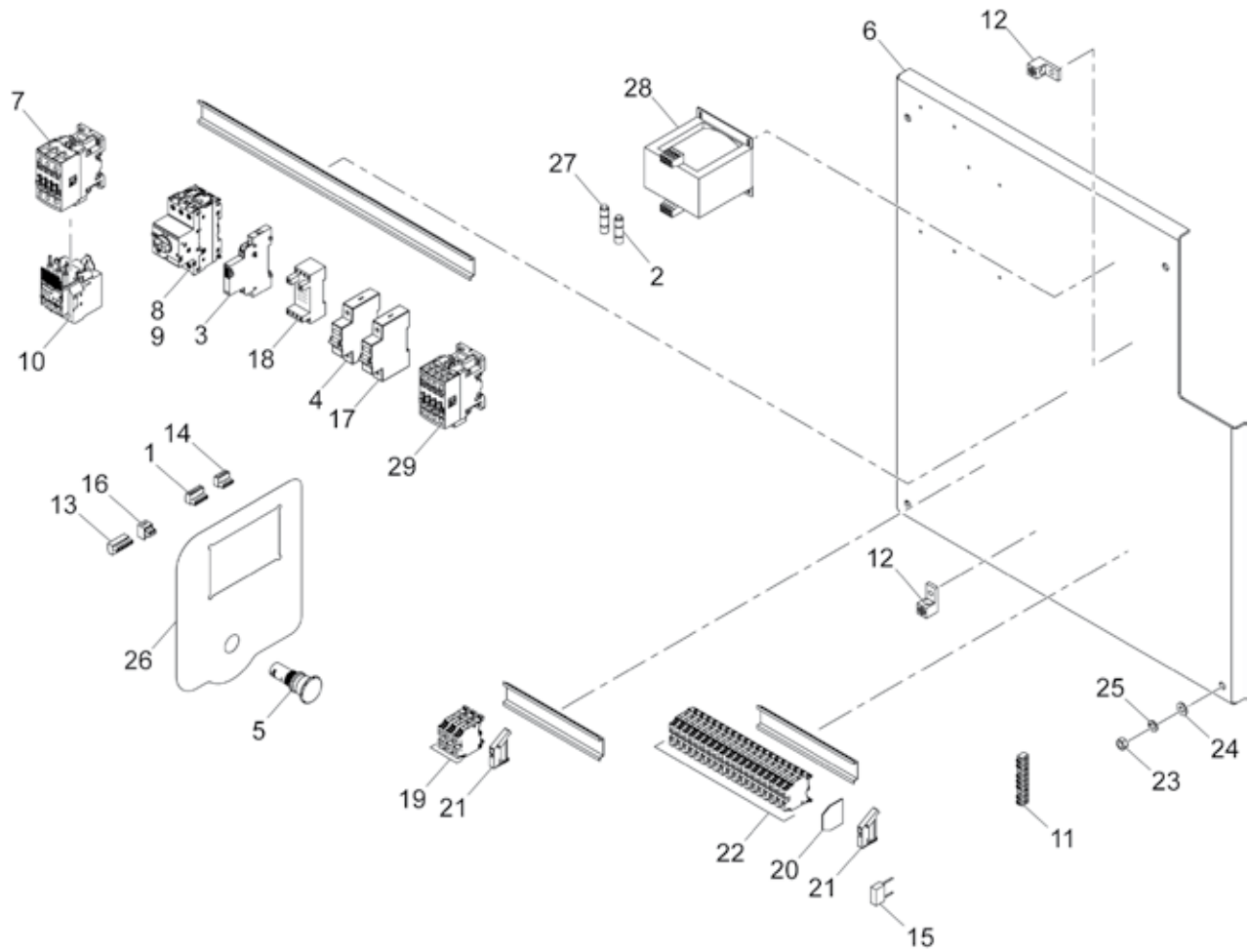
Item	Part No.	Qty	Description	Item	Part No.	Qty	Description
	47526207001	1	BACKPANEL - 7.5/10 hp, 220V, 50/60 Hz, S/D	19	39186093	1	PLUG, 6 POSITION
1	22076699	1	PLUG, 5 POSITION	20	39186101	1	PLUG, 4 POSITION
2	22269682	2	FUSE, TIME DELAY	21	39203443	1	SUPPRESSOR, ARC
3	22376776	1	GLAND, CABLE M32 X 1.5	22	39242367	1	PLUG, 2 POSITION
4	22501720	1	GLAND, CABLE M25 X 1.5	23	39480504	1	HOLDER, FUSE 2 POLE
5	23635816	3	GLAND, CABLE M16 X 1.5	24	47499666	1	BREAKER, MINI-CIR 1.6A
6	23712301	1	BLOCK, AUX CONTACT	25	47499669	1	BASE, RELAY
7	23712343	1	PLUG, M25 BLACK	26	47499941	3	TERMINAL, 41A
8	23745995	3	PLUG M16, BLACK	27	54612940	1	TERMINAL, END PLATE
9	23770514	1	BREAKER, MINI-CIRCUIT 3A	28	89205397	2	TERMINAL, END STOP
10	23990716	1	SWITCH, EMERGENCY STOP	29	89295091	1	KEY, DOOR
11	24185209	1	PANEL, STARTER	30	93469625	20	TERMINAL, 35A
12	24469686	2	CONTACTOR, 9A	31	96701370	4	NUT, M8-1.25
13	24468308	2	BLOCK, AUX. CONTACT	32	96704671	4	FLATWASHER
14	24469710	2	CONTACTOR, 26A	33	96741467	4	LOCKWASHER
15	24592586	1	BREAKER, MOTOR 0.63-1.0A	34	4749962001	1	INTERLOCK, MECHANICAL
16	32342115	2	BUS, GROUND	35	47499668001	1	DECAL, FACIA Xe-50
17	32342123	2	LUG, POWER GROUND	36	47526206001	1	TRANSFORMER
18	39173927	1	GLAND, CABLE M12 X 1.27	37	47499684001	1	RELAY, O/L, 13-16A, 7.5 hp
					47526211001	1	RELAY, O/L, 16-20A, 10 hp

BACKPANEL - 15 HP, 220V, 50/60 HZ, S/D - XE-50M



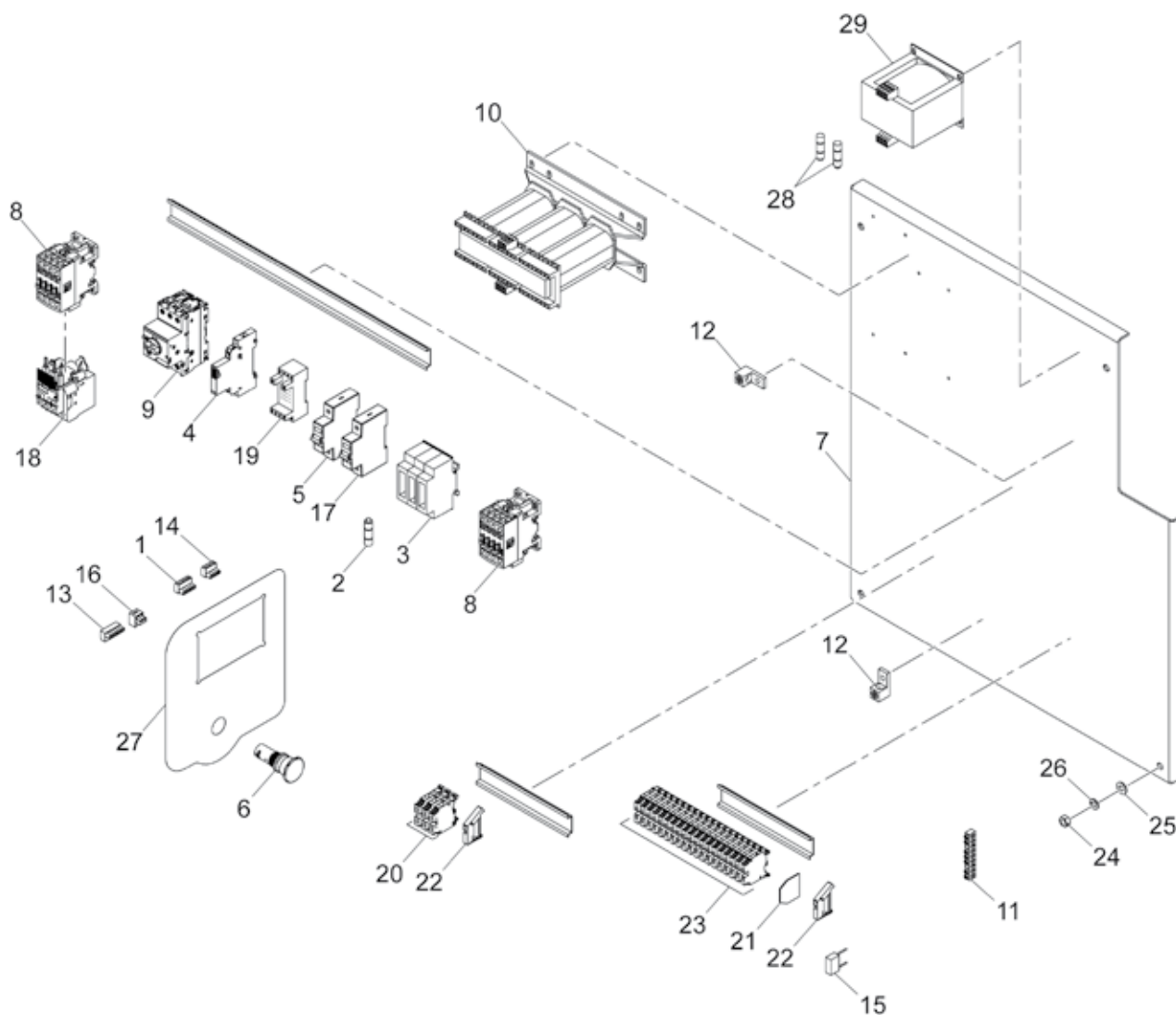
Item	Part No.	Qty	Description	Item	Part No.	Qty	Description
	47526209001	1	BACKPANEL - 15 hp, 220V, 50/60 Hz, S/D	19	39186093	1	PLUG, 6 POSITION
1	22076699	1	PLUG, 5 POSITION	20	39186101	1	PLUG, 4 POSITION
2	22269682	2	FUSE, TIME DELAY	21	39203443	1	SUPPRESSOR, ARC
3	22376776	1	GLAND, CABLE M32 X 1.5	22	39242367	1	PLUG, 2 POSITION
4	22501720	1	GLAND, CABLE M25 X 1.5	23	39480504	1	HOLDER, FUSE 2
5	23635816	3	GLAND, CABLE M16 X 1.5	24	47499666	1	BREAKER, MINI-CIR 1.6A
6	23712301	1	BLOCK, AUX CONTACT	25	47499669	1	BASE, RELAY
7	23712343	1	PLUG, M25 BLACK	26	47499941	3	TERMINAL, 41A
8	23745995	3	PLUG M16, BLACK	27	54612940	1	TERMINAL, END PLATE
9	23770514	1	BREAKER, MINI-CIRCUIT 3A	28	89205397	2	TERMINAL, END STOP
10	23990716	1	SWITCH, EMERGENCY STOP	29	89295091	1	KEY, DOOR
11	24185209	1	PANEL, STARTER	30	93469625	20	TERMINAL, 35A
12	24469686	2	CONTACTOR, 9A	31	96701370	4	NUT, M8-1.25
13	24468308	2	BLOCK, AUX. CONTACT	32	96704671	4	FLATWASHER
14	24469710	2	CONTACTOR, 26A	33	96741467	4	LOCKWASHER
15	24592586	1	BREAKER, MOTOR 0.63-1.0A	34	47499662001	1	INTERLOCK, MECHANICAL
16	32342115	2	BUS, ALUMINIUM GROUNDING	35	47499668001	1	DECAL, FACIA Xe-50
17	32342123	2	LUG, POWER GROUNDING	36	47526206001	1	TRANSFORMER
18	39173927	1	GLAND, CABLE M12 X 1.27	37	47526212001	1	RELAY, O/L, 24-29A

BACKPANEL - 5 HP, 208-230/460V, 50/60 HZ, DOL - XE-50M



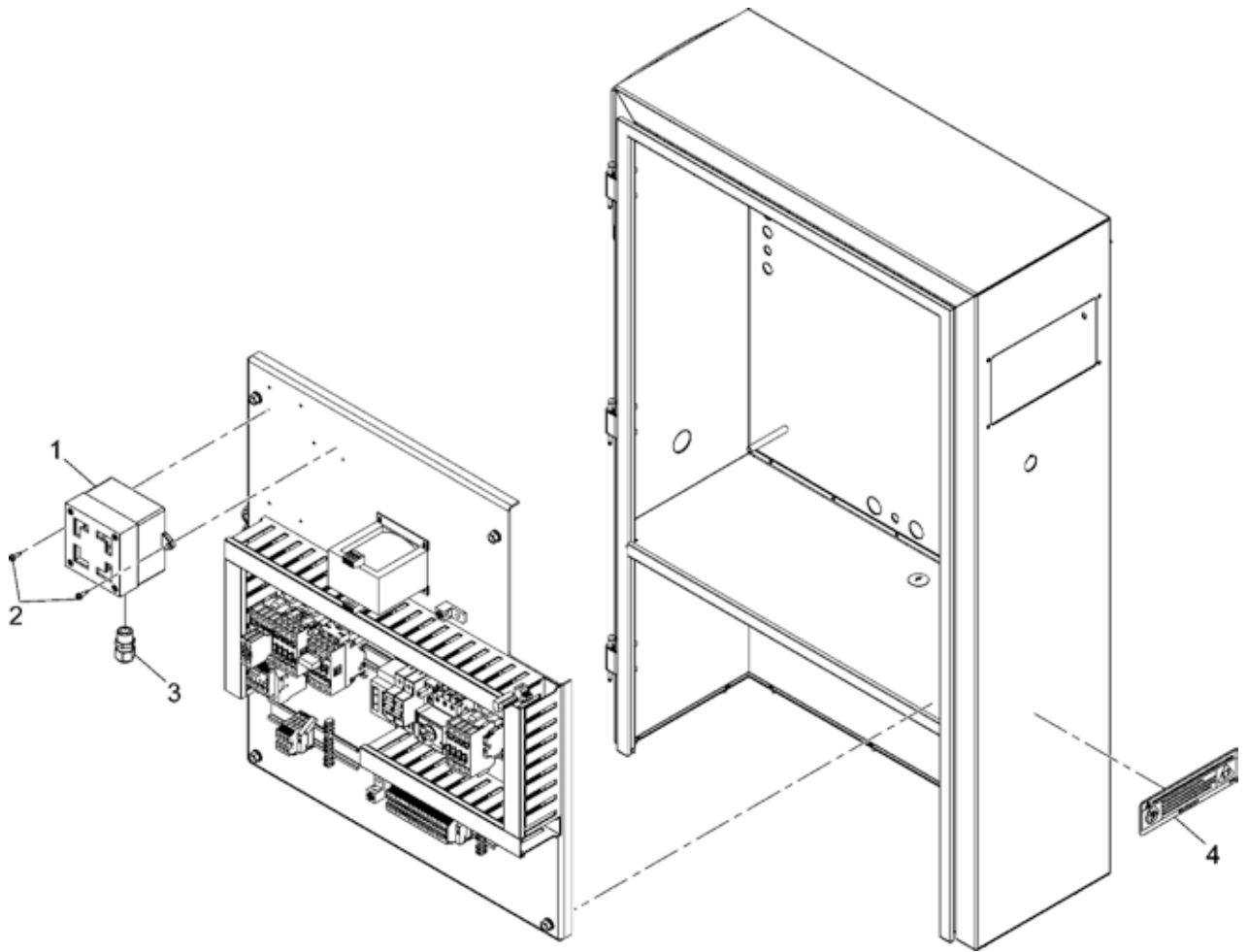
Item	Part No.	Qty	Description	Item	Part No.	Qty	Description
	47519002001	1	BACKPANEL - 5 hp, 208-230/460V, 50/60 Hz	15	39203443	1	SUPPRESSOR, ARC
1	22076699	1	PLUG, 5 POSITION	16	39242367	1	PLUG, 2 POSITION
2	22269682	2	FUSE, TIME DELAY	17	47499666	1	BREAKER, MINI-CIR 1.6A
3	23712301	1	BLOCK, AUX CONTACT	18	47499669	1	BASE, RELAY
4	23770514	1	BREAKER, MINI-CIRCUIT 3A	19	47499941	3	TERMINAL, 41A
5	23990716	1	SWITCH, EMERGENCY STOP	20	54612940	1	TERMINAL, END PLATE
6	24185209	1	PANEL, STARTER	21	89205397	2	TERMINAL, END STOP
7	24469710	1	CONTACTOR, 26A	22	93469625	20	TERMINAL, 35A
8	24592560	1	BREAKER, MOTOR 0.4-0.63A	23	96701370	4	NUT, M8-1.25
9	24592586	1	BREAKER, MOTOR 0.63-1.0A	24	96704671	4	FLATWASHER
10	24730178	1	RELAY,O/L E 5.7-18.9A	25	96741467	4	LOCKWASHER
11	32342115	1	BUS, GROUNDING	26	47499668001	1	DECAL, FACIA Xe-50
12	32342123	2	LUG, POWER GROUNDING	27	47504387001	2	FUSE, 0.5A
13	39186093	1	PLUG, 6 POSITION	28	47518259001	1	TRANSFORMER
14	39186101	1	PLUG, 4 POSITION	29	24469686	1	CONTACTOR, 9A

BACKPANEL - 5 HP, 575V, 50/60 HZ, DOL, XE-50M



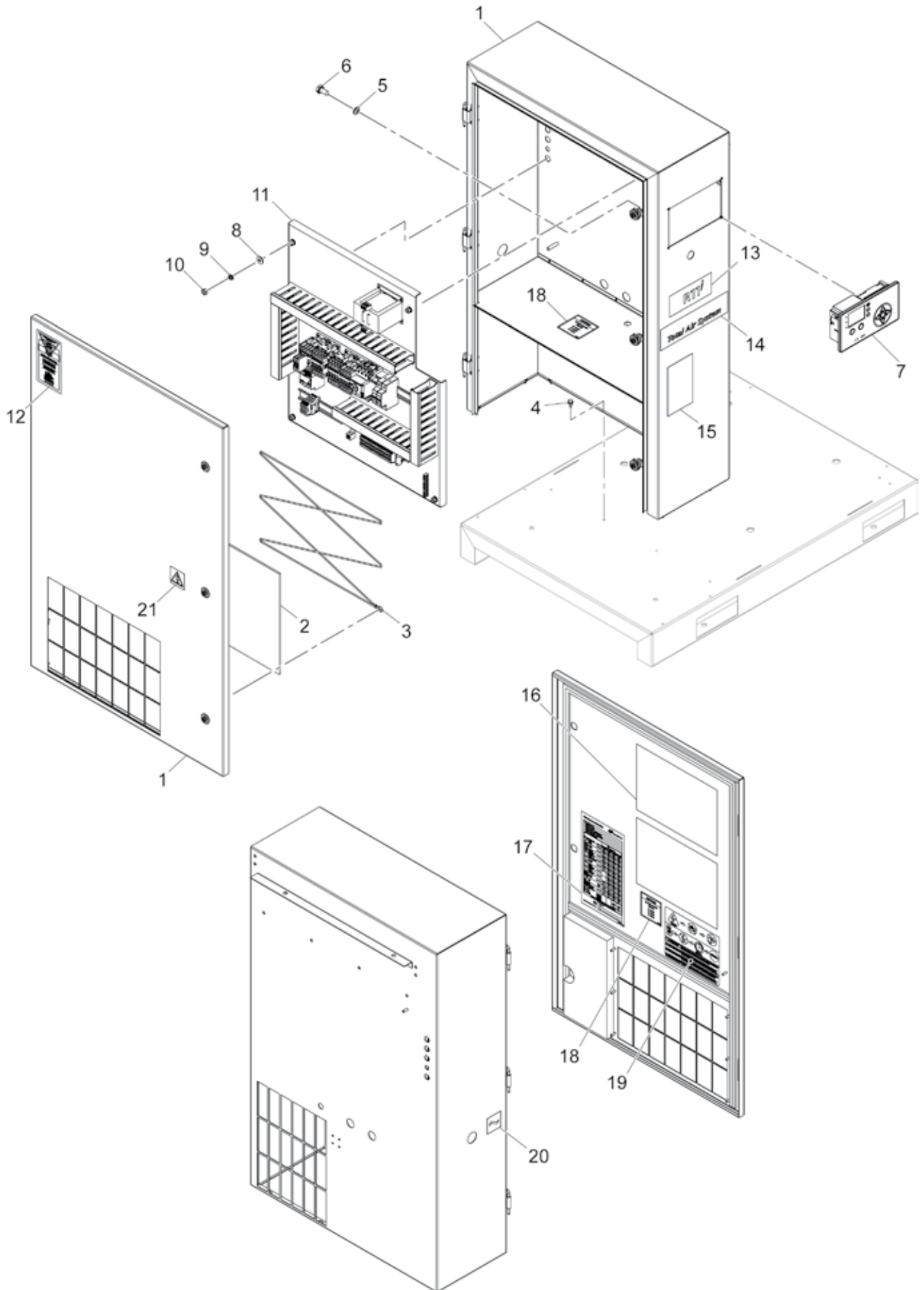
Item	Part No.	Qty	Description	Item	Part No.	Qty	Description
	47519017001	1	BACKPANEL - 5 hp, 575V, 50/60 Hz, DOL	15	39203443	1	SUPPRESSOR, ARC
1	22076699	1	PLUG, 5 POSITION	16	39242367	1	PLUG, 2 POSITION
2	22269682	3	FUSE, TIME DELAY	17	47499666	1	BREAKER, MINI-CIR 1.6A
3	22344253	1	HOLDER, 3-POLE FUSE	18	47499663001	1	RELAY, O/L, 5.7-7.6A
4	23712301	1	BLOCK, AUX CONTACT	19	47499669	1	BASE, RELAY
5	23770514	1	BREAKER, MINI-CIRCUIT 3A	20	47499941	3	TERMINAL, 41A
6	23990716	1	SWITCH, EMERGENCY STOP	21	54612940	1	TERMINAL, END PLATE
7	24185209	1	PANEL, STARTER	22	89205397	2	TERMINAL, END STOP
8	24469686	2	CONTACTOR, 9A	23	93469625	20	TERMINAL, 35A
9	24592586	1	BREAKER, MOTOR 0.63-1.0A	24	96701370	4	NUT, M8-1.25
10	24592594	1	TRANSFORMER	25	96704671	4	FLATWASHER
11	32342115	1	BUS, GROUNDING	26	96741467	4	LOCKWASHER
12	32342123	2	LUG, POWER GROUNDING	27	47499668001	1	DECAL, FACIA Xe-50
13	39186093	1	PLUG, 6 POSITION	28	47504387001	2	FUSE, 0.5A
14	39186101	1	PLUG, 4 POSITION	29	47518259001	1	TRANSFORMER

PORO OPTION - FIXED SPEED DRIVE ASSEMBLY DRAWING AND PARTS LIST



Item	Part No.	Qty	Description	Item	Part No.	Qty	Description
1	39100136	1	MOD ALARM HORN W/ WEATHER RESISTANT BACK BOX	**	39129085	A/R	WIRE, 16 GA
2	35249721	2	SCREW	A/R	AS REQUIRED		
3	39265640	1	CONNECTOR, RELIEF	**	NOT ILLUSTRATED		
4	23550171	1	DECAL, PORO				

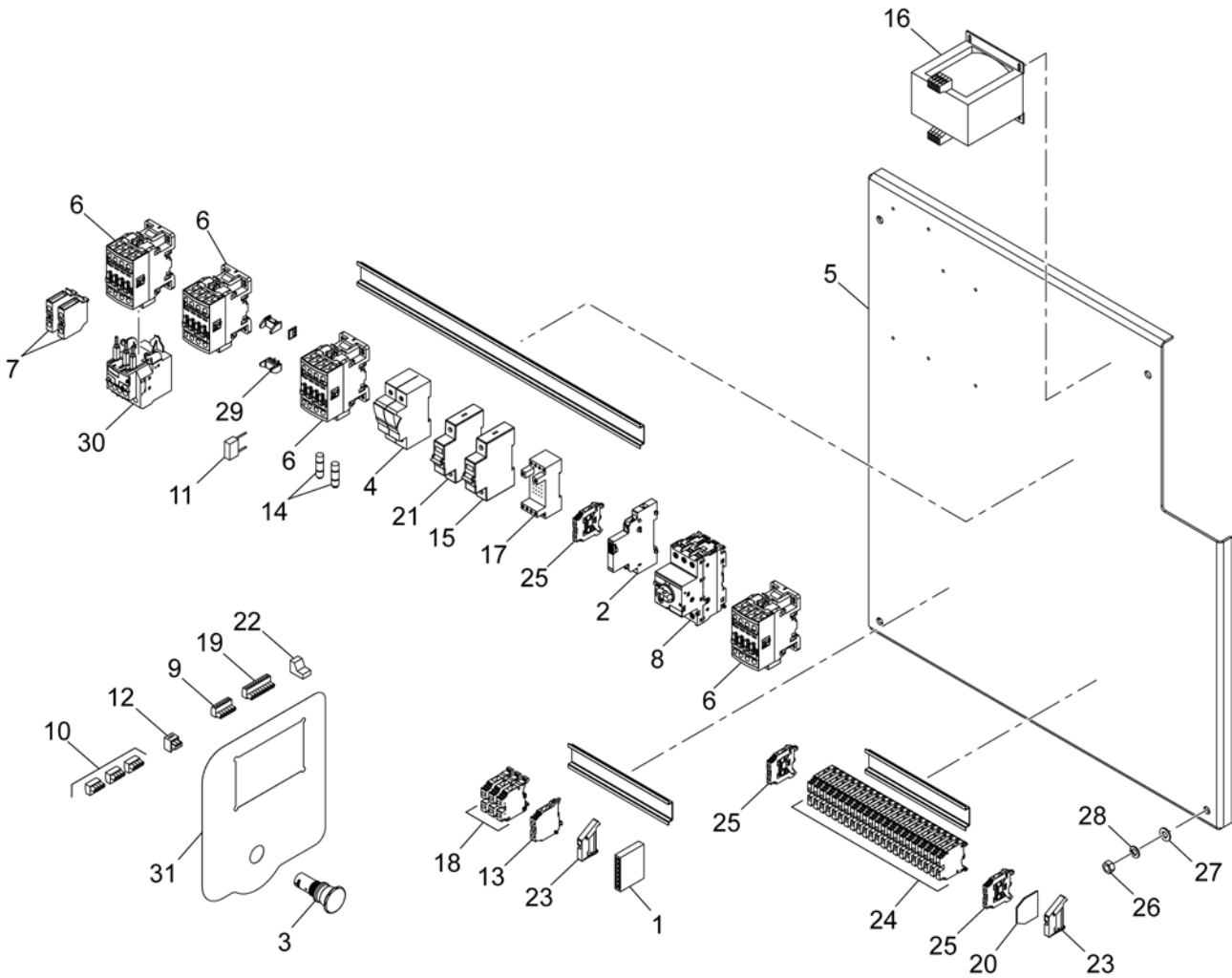
STARTER - FIXED SPEED DRIVE (XE-70M) ASSEMBLY DRAWING



STARTER - FIXED SPEED DRIVE (XE-70M) PARTS LIST

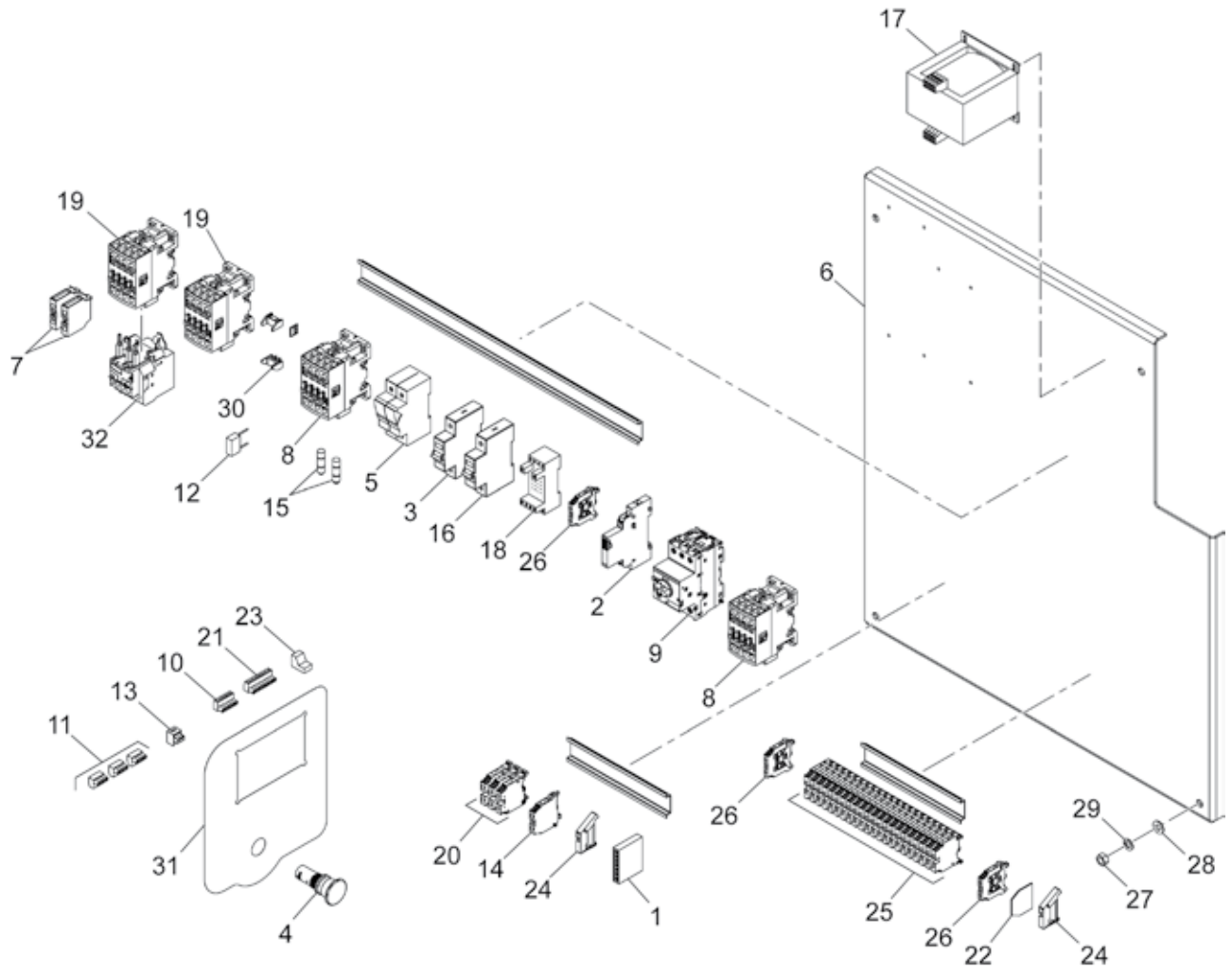
Item	Part No.	Qty	Description	Item	Part No.	Qty	Description
1	24358921	1	STARTER BOX, FS				
2	24286676	1	PAD, PRE-FILTER				
3	24287625	1	CORD, ELASTIC				
4	92368687	8	SCREW, M6x1x12				
5	92340447	4	WASHER, LOCK				
6	96742358	4	SCREW, M4-0.70 x 8				
7	24114050	1	CONTROLLER, FS w/ ECO				
	24114068	1	CONTROLLER, Xe-70M, FS				
8	96704671	4	WASHER, PLAIN				
9	96741467	4	WASHER, LOCK				
10	96701370	4	NUT				
11	47499685001	1	BACKPANEL - 5.5 kW, 400V, 50/60 Hz, S/D				
	47499686001	1	BACKPANEL - 7.5 kW, 400V, 50/60 Hz, S/D				
	47499687001	1	BACKPANEL - 11 kW, 400V, 50/60 Hz, S/D				
	47521080001	1	BACKPANEL - 5.5 kW, 230V, 50/60 Hz, S/D				
	47521082001	1	BACKPANEL - 7.5 kW, 230V, 50/60 Hz, S/D				
	47521084001	1	BACKPANEL - 11 kW, 230V, 50/60 Hz, S/D				
	47519040001	1	BACKPANEL - 7.5 hp, 208-230/460V, 50/60 Hz, S/D				
	47519043001	1	BACKPANEL - 10 hp, 208-230/460V, 50/60 Hz, S/D				
	47519046001	1	BACKPANEL - 15 hp, 208-230/460V, 50/60 Hz, S/D				
	47519056001	1	BACKPANEL - 7.5 hp, 575V, 50/60 Hz, S/D				
	47519068001	1	BACKPANEL - 10 hp, 575V, 50/60 Hz, S/D	11			
	47519070001	1	BACKPANEL - 15 hp, 575V, 50/60 Hz, S/D				
12	24519381	1	DECAL, CAGI - America only				
13	47515963001	1	DECAL, R11i				
	47515957001	1	DECAL, R4i				
	47515958001	1	DECAL, R5.5ie				
	47515959001	1	DECAL, R5.5i				
	47515961001	1	DECAL, R7.5i				
14	47517437001	1	DECAL, TAS (w/ Dryer option only)				
15	24728347	1	DECAL, WARNING AUTOMATIC START-UP - ISO				
	24728370	1	DECAL, WARNING AUTOMATIC START-UP - LAN				
16	24437683	1	DECAL, ELECTRICAL DIAGRAM				
17	47516504001	1	DECAL, MAINTENANCE SCHEDULE - ULTRA COOLANT				
	47516510001	1	DECAL, MAINTENANCE SCHEDULE - ULTRA EL				
	47516511001		DECAL, MAINTENANCE SCHEDULE - FOOD GRADE				
18	24795221	2	DECAL, NOTICE				
19	23538754	1	DECAL, WARNING				
20	93166486	1	DECAL, POWER INLET				
21	92930593	1	DECAL, ELECTRIC SHOCK - ISO				
	32343568	1	DECAL, ELECTRIC SHOCK - LAN				

BACKPANEL - 5.5 KW, 400V, 50/60 HZ, S/D - XE-70M



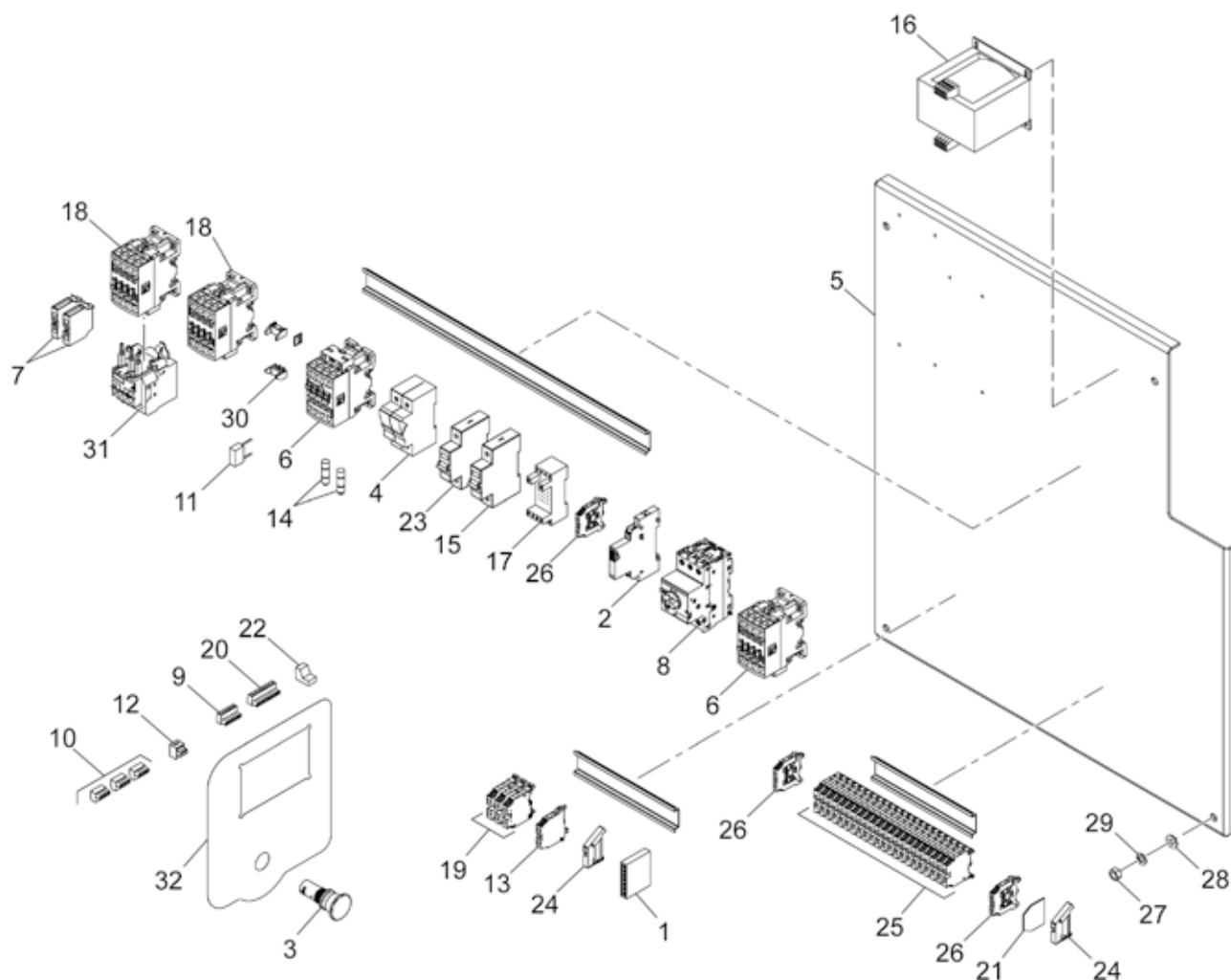
Item	Part No.	Qty	Description	Item	Part No.	Qty	Description
	47499685001	1	BACKPANEL - 5.5 kW, 400V, 50/60 Hz, S/D	16	47499667	1	TRANSFORMER
1	23526478	1	BUS, GROUND	17	47499669	1	BASE, RELAY
2	23712301	1	BLOCK, AUX CONTACT	18	47499941	3	TERMINAL, 41A
3	23990716	1	SWITCH, EMERGENCY STOP	19	47500509	1	CONNECTOR
4	24141962	1	HOLDER, FUSE 2-POLE	20	54612940	1	TERMINAL, END PLATE
5	24185209	1	PANEL, STARTER	21	23770514	1	BREAKER, MINI-CIRCUIT 3A
6	24469686	4	CONTACTOR, 9A	22	54729546	1	CONNECTOR, 2 WAY
7	24468308	2	BLOCK, AUX. CONTACT	23	89205397	2	TERMINAL, END STOP
8	24592560	1	BREAKER, MOTOR 0.4-0.63A	24	93469625	22	TERMINAL, 35A
9	39186093	1	PLUG, 6 POSITION	25	93469633	3	TERMINAL, EARTH
10	39186101	3	PLUG, 4 POSITION	26	96701370	4	NUT, M8-1.25
11	39203443	1	SUPPRESSOR, ARC	27	96704671	4	FLATWASHER
12	39242367	1	PLUG, 2 POSITION	28	96741467	4	LOCKWASHER
13	47499661	1	TERMINAL	29	47499662001	1	INTERLOCK, MECHANICAL 4)
14	47499665	2	FUSE, 0.5A	30	47499663001	1	RELAY, O/L 5.70-7.6A
15	47499666	1	BREAKER, MINI-CIR 1.6A	31	47500205001	1	DECAL, FACIA Xe-70

BACKPANEL - 7.5 KW, 400V, 50/60 HZ, S/D - XE-70M



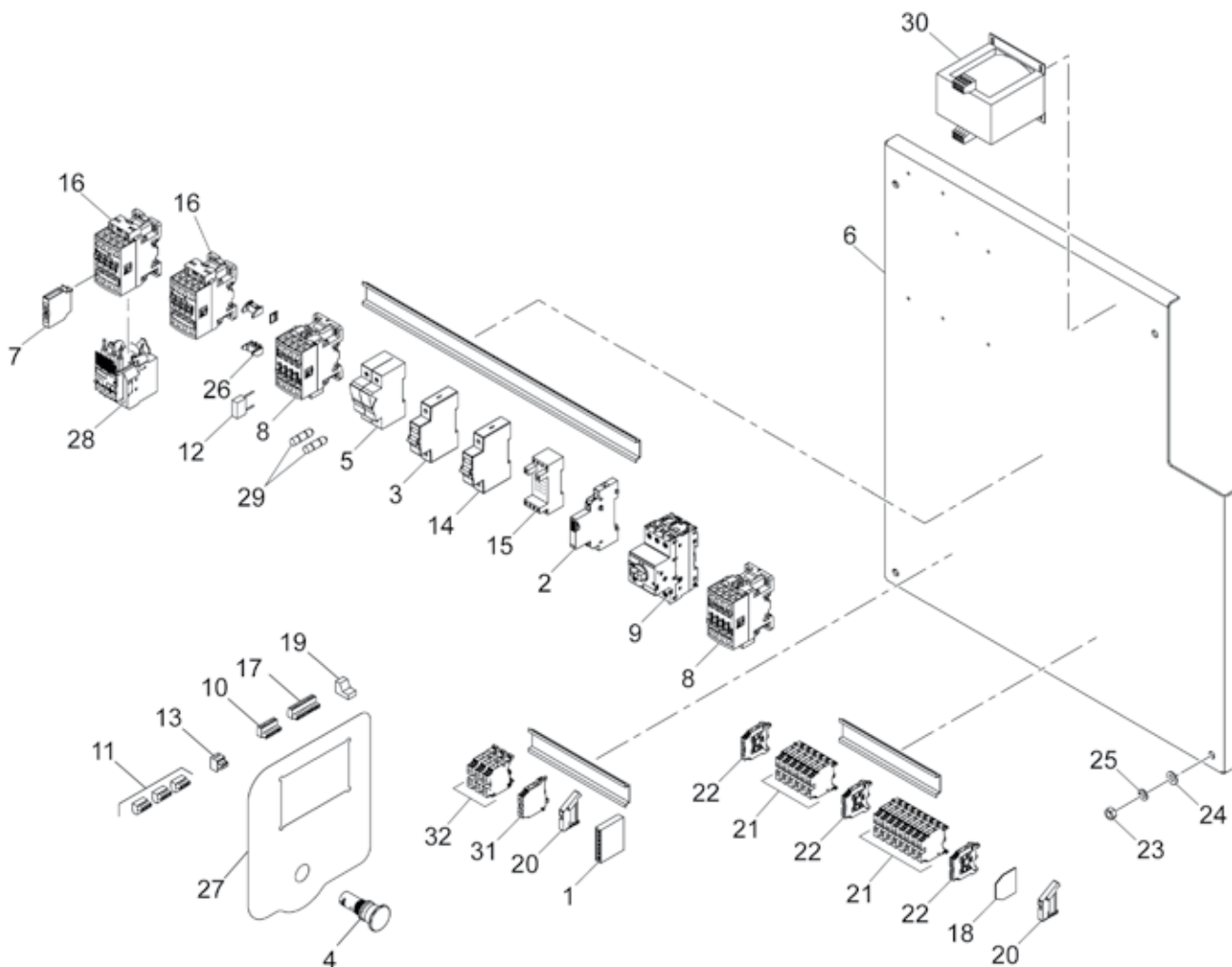
Item	Part No.	Qty	Description	Item	Part No.	Qty	Description
	47499686001	1	BACKPANEL - 7.5 kW, 400V, 50/60 Hz, S/D	16	47499666	1	BREAKER, MINI-CIR 1.6A
1	23526478	1	BUS, GROUND	17	47499667	1	TRANSFORMER
2	23712301	1	BLOCK, AUX CONTACT	18	47499669	1	BASE, RELAY
3	23770514	1	BREAKER, MINI-CIRCUIT 3A	19	47499680	2	CONTACTOR, 12A
4	23990716	1	SWITCH, EMERGENCY STOP	20	47499941	3	TERMINAL, 41A
5	24141962	1	HOLDER, FUSE 2	21	47500509	1	CONNECTOR
6	24185209	1	PANEL, STARTER	22	54612940	1	TERMINAL, END PLATE
7	24468308	2	BLOCK, AUX. CONTACT	23	54729546	1	CONNECTOR, 2 WAY
8	24469686	2	CONTACTOR, 9A	24	89205397	2	TERMINAL, END STOP
9	24592560	1	BREAKER, MOTOR 0.4-0.63A	25	93469625	22	TERMINAL, 35A
10	39186093	1	PLUG, 6 POSITION	26	93469633	3	TERMINAL, EARTH
11	39186101	3	PLUG, 4 POSITION	27	96701370	4	NUT, M8-1.25
12	39203443	1	SUPPRESSOR, ARC	28	96704671	4	FLATWASHER
13	39242367	1	PLUG, 2 POSITION	29	96741467	4	LOCKWASHER
14	47499661	1	TERMINAL	30	47499662001	1	INTERLOCK, MECHANICAL
15	47499665	2	FUSE, 0.5A	31	47500205001	1	DECAL, FACIA Xe-70
				32	47504390001	1	RELAY, O/L, 10-13A

BACKPANEL - 11 KW, 400V, 50/60 HZ, S/D - XE-70M



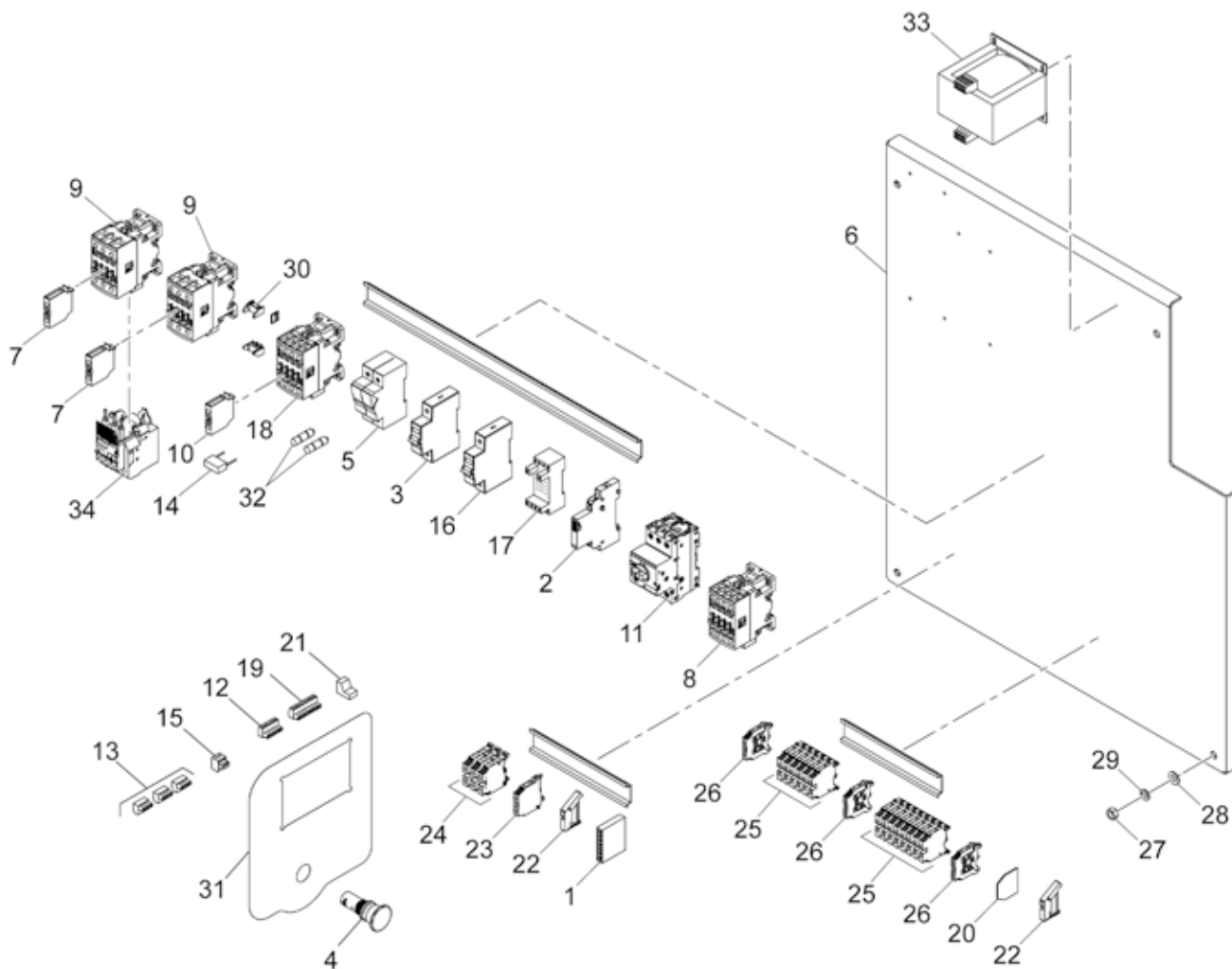
Item	Part No.	Qty	Description	Item	Part No.	Qty	Description
	47499687001	1	BACKPANEL - 11 kW, 400V, 50/60 Hz, S/D	16	47499667	1	TRANSFORMER
1	23526478	1	BUS, GROUND	17	47499669	1	BASE, RELAY
2	23712301	1	BLOCK, AUX CONTACT	18	47499683	2	CONTACTOR, 18A
3	23990716	1	SWITCH, EMERGENCY STOP	19	47499941	3	TERMINAL, 41A
4	24141962	1	HOLDER, FUSE 2-POLE	20	47500509	1	CONNECTOR
5	24185209	1	PANEL, STARTER	21	54612940	1	TERMINAL, END PLATE
6	24469686	2	CONTACTOR, 9A	22	54729546	1	CONNECTOR, 2 WAY
7	24468308	2	BLOCK, AUX. CONTACT	23	23770514	1	BREAKER, MINI-CIRCUIT 3A
8	24592560	1	BREAKER, MOTOR 0.4-0.63A	24	89205397	2	TERMINAL, END STOP
9	39186093	1	PLUG, 6 POSITION	25	93469625	22	TERMINAL, 35A
10	39186101	3	PLUG, 4 POSITION	26	93469633	3	TERMINAL, EARTH
11	39203443	1	SUPPRESSOR, ARC	27	96701370	4	NUT, M8-1.25
12	39242367	1	PLUG, 2 POSITION	28	96704671	4	FLATWASHER
13	47499661	1	TERMINAL	29	96741467	4	LOCKWASHER
14	47499665	2	FUSE, 0.5A	30	47499662001	1	INTERLOCK, MECHANICAL
15	47499666	1	BREAKER, MINI-CIR 1.6A	31	47499684001	1	RELAY, O/L, 13-16A
				32	47500205001	1	DECAL, FACIA Xe-70

BACKPANEL - 5.5 KW, 230V, 50/60 HZ, S/D - XE-70M



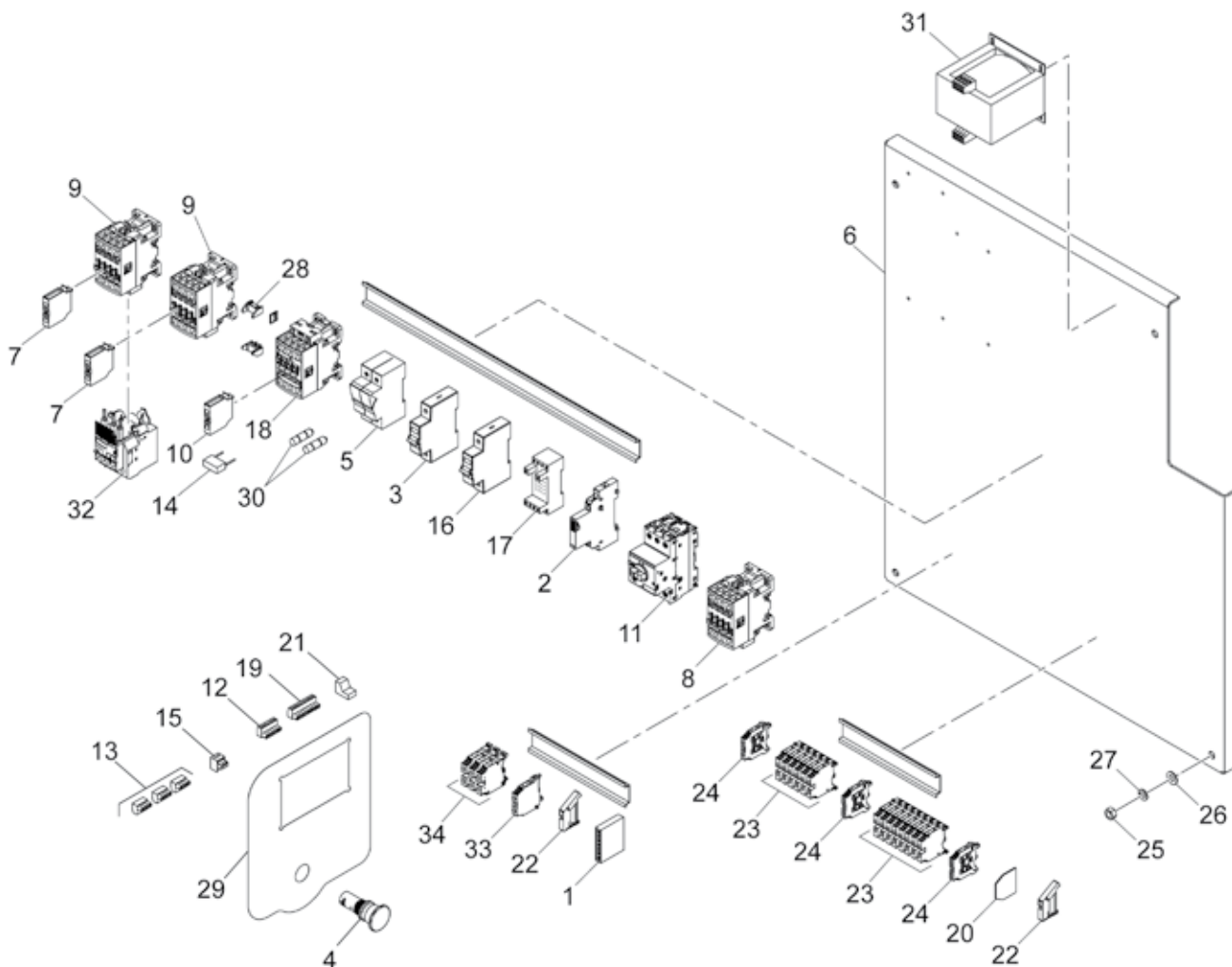
Item	Part No.	Qty	Description	Item	Part No.	Qty	Description
	47521080001	1	BACKPANEL - 5.5 kW, 230V, 50/60 Hz, S/D	16	47499683	2	CONTACTOR, 18A
1	23526478	1	BUS, GROUND	17	47500509	1	CONNECTOR
2	23712301	1	BLOCK, AUX CONTACT	18	54612940	1	TERMINAL, END PLATE
3	23770514	1	BREAKER, MINI-CIRCUIT 3A	19	54729546	1	CONNECTOR, 2 WAY
4	23990716	1	SWITCH, EMERGENCY STOP	20	89205397	2	TERMINAL, END STOP
5	24141962	1	HOLDER, FUSE 2-POLE	21	93469625	22	TERMINAL, 35A
6	24185209	1	PANEL, STARTER	22	93469633	3	TERMINAL, EARTH
7	24468308	1	BLOCK, AUX. CONTACT	23	96701370	4	NUT, M8-1.25
8	24469686	2	CONTACTOR, 9A	24	96704671	4	FLATWASHER
9	24592586	1	BREAKER, MOTOR 0.63-1.0A	25	96741467	4	LOCKWASHER
10	39186093	1	PLUG, 6 POSITION	26	47499662001	1	INTERLOCK, MECHANICAL
11	39186101	3	PLUG, 4 POSITION	27	47500205001	1	DECAL, FACIA Xe-70
12	39203443	1	SUPPRESSOR, ARC	28	47504390001	1	RELAY, O/L, 10-13A
13	39242367	1	PLUG, 2 POSITION	29	47521061001	2	FUSE, 1A
14	47499666	1	BREAKER, MINI-CIR 1.6A	30	47521062001	1	TRANSFORMER
15	47499669	1	BASE, RELAY	31	47539260001	1	TERMINAL, EARTH
				32	47539261001	3	TERMINAL, WIRE 1-LEVEL

BACKPANEL - 7.5 KW, 230V, 50/60 HZ, S/D - XE-70M



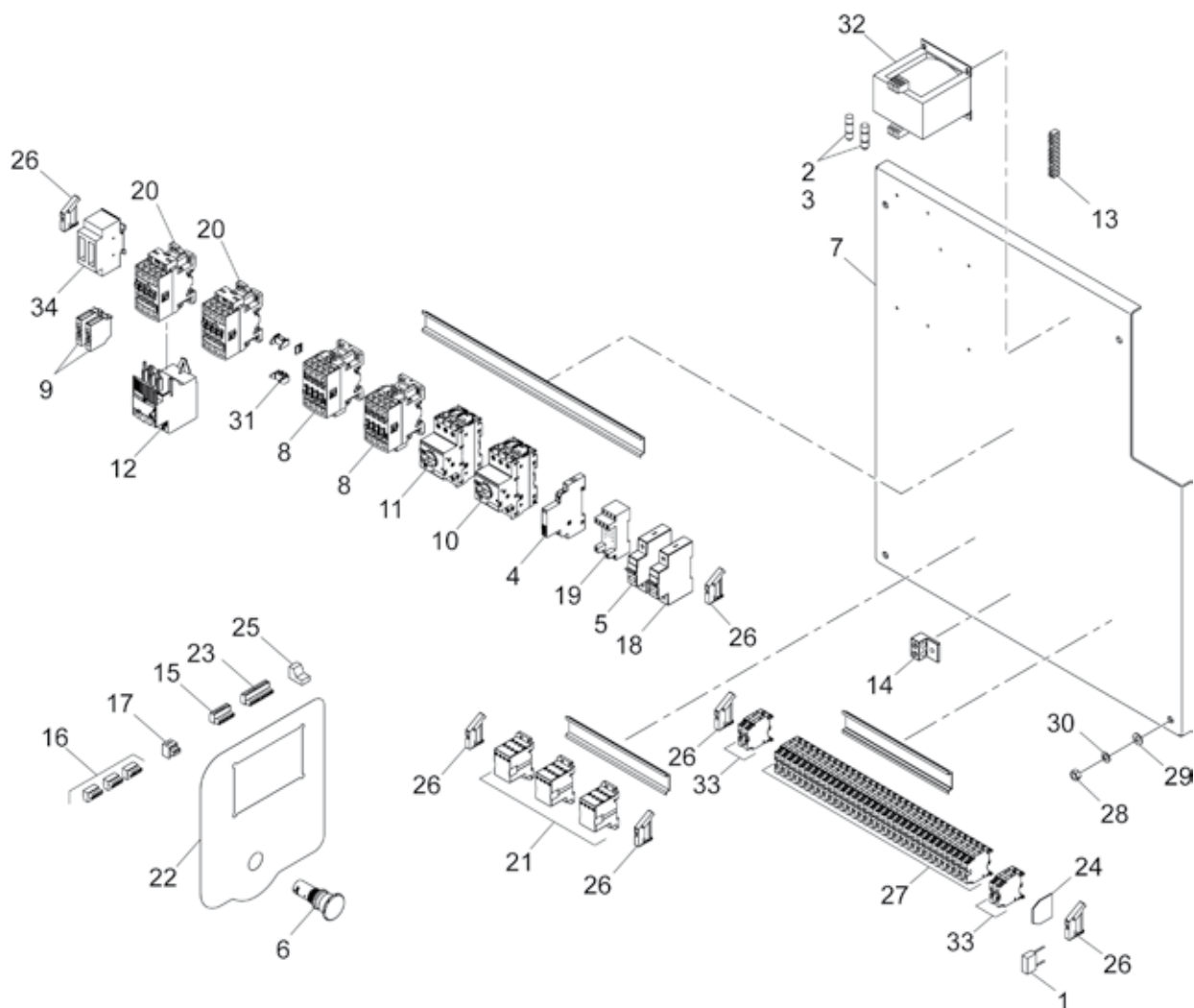
Item	Part No.	Qty	Description	Item	Part No.	Qty	Description
	47521082001	1	BACKPANEL - 7.5 kW, 230V, 50/60 Hz, S/D	17	47499669	1	BASE, RELAY
1	23526478	1	BUS, GROUND	18	47499680	1	CONTACTOR, 12A
2	23712301	1	BLOCK, AUX CONTACT	19	47500509	1	CONNECTOR, 9 WAY
3	23770514	1	BREAKER, MINI-CIRCUIT 3A	20	54612940	1	TERMINAL, END PLATE
4	23990716	1	SWITCH, EMERGENCY STOP	21	54729546	1	CONNECTOR, 2 WAY
5	24141962	1	HOLDER, FUSE 2-POLE	22	89205397	2	TERMINAL, END STOP
6	24185209	1	PANEL, STARTER	23	47539260001	1	TERMINAL, EARTH
7	24468308	2	BLOCK, AUX. CONTACT	24	47539261001	3	TERMINAL, WIRE 1-LEVEL
8	24469686	1	CONTACTOR, 9A	25	93469625	22	TERMINAL, 35A
9	24469710	2	CONTACTOR, 26A	26	93469633	3	TERMINAL, EARTH
10	24474116	1	CONTACT, AUX	27	96701370	4	NUT, M8-1.25
11	24592586	1	BREAKER, MOTOR 0.63-1.0A	28	96704671	4	FLATWASHER
12	39186093	1	PLUG, 6 POSITION	29	96741467	4	LOCKWASHER
13	39186101	3	PLUG, 4 POSITION	30	47499662001	1	INTERLOCK, MECHANICAL
14	39203443	1	SUPPRESSOR, ARC	31	47500205001	1	DECAL, FACIA Xe-70
15	39242367	1	PLUG, 2 POSITION	32	47521061001	2	FUSE, 1A
16	47499666	1	BREAKER, MINI-CIR 1.6A	33	47521062001	1	TRANSFORMER
				34	47526211001	1	RELAY, O/L, 16-20A

BACKPANEL - 11 KW, 230V, 50/60 HZ, S/D - XE-70M



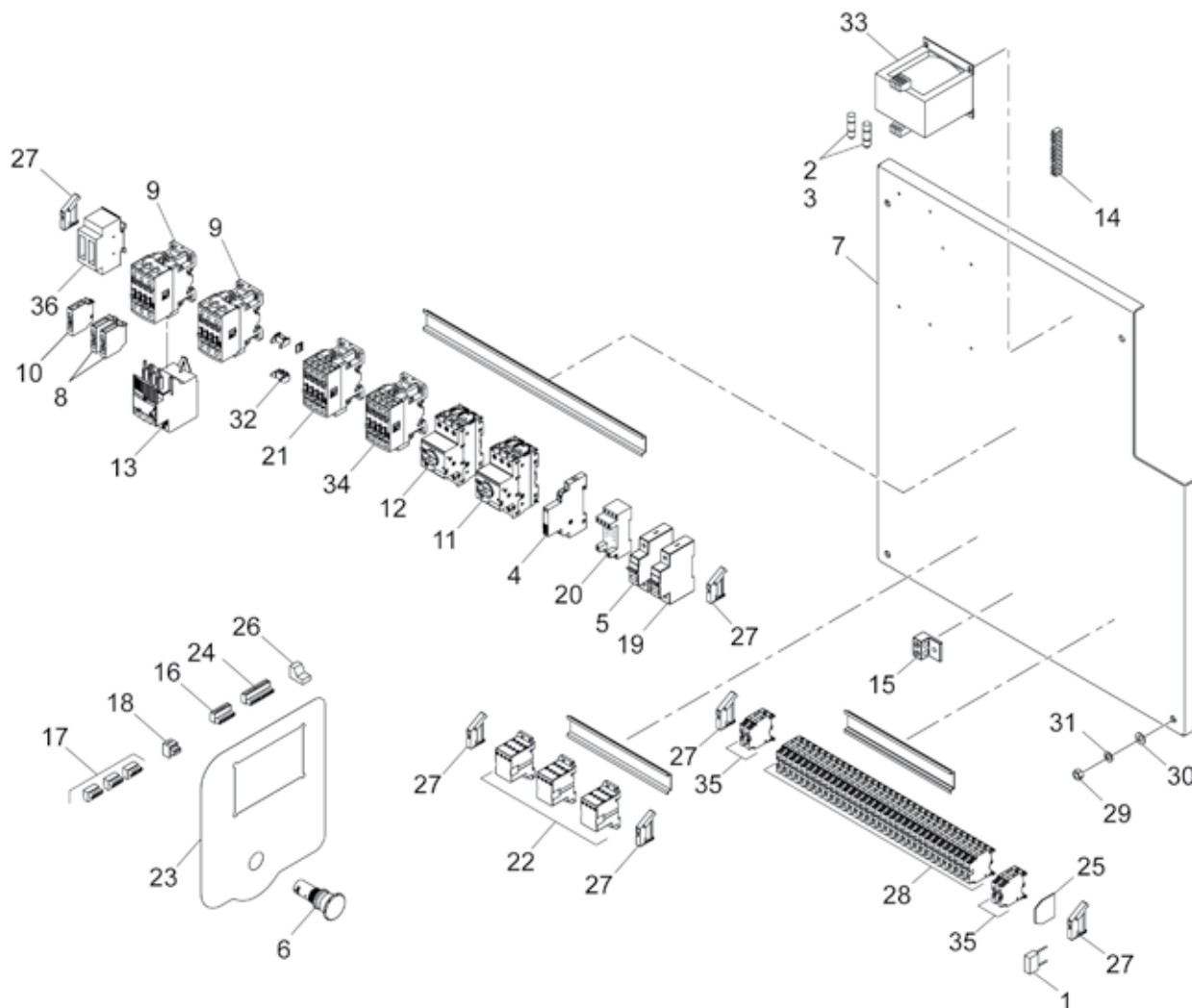
Item	Part No.	Qty	Description	Item	Part No.	Qty	Description
	47521084001	1	BACKPANEL - 11 kW, 230V, 50/60 Hz, S/D	17	47499669	1	BASE, RELAY SCHRACK
1	23526478	1	BUS, GROUND	18	47499683	1	CONTACTOR, 18A
2	23712301	1	BLOCK, AUX CONTACT	19	47500509	1	CONNECTOR
3	23770514	1	BREAKER, MINI-CIRCUIT 3A	20	54612940	1	TERMINAL, END PLATE
4	23990716	1	SWITCH, EMERGENCY STOP	21	54729546	1	CONNECTOR, 2 WAY
5	24141962	1	HOLDER, FUSE 2-POLE	22	89205397	2	TERMINAL, END STOP
6	24185209	1	PANEL, STARTER	23	93469625	22	TERMINAL, 35A
7	24468308	2	BLOCK, AUX. CONTACT	24	93469633	3	TERMINAL, EARTH
8	24469686	1	CONTACTOR, 9A	25	96701370	4	NUT, M8-1.25
9	24469710	2	CONTACTOR, 26A	26	96704671	4	FLATWASHER
10	24474116	1	CONTACT, AUX	27	96741467	4	LOCKWASHER
11	24592586	1	BREAKER, MOTOR 0.63-1.0A	28	47499662001	1	INTERLOCK, MECHANICAL
12	39186093	1	PLUG, 6 POSITION	29	47500205001	1	DECAL, FACIA Xe-70
13	39186101	3	PLUG, 4 POSITION	30	47521061001	2	FUSE, 1A
14	39203443	1	SUPPRESSOR, ARC	31	47521062001	1	TRANSFORMER
15	39242367	1	PLUG, 2 POSITION	32	47526212001	1	RELAY, O/L, 24-29A
16	47499666	1	BREAKER, MINI-CIR 1.6A	33	47539260001	1	TERMINAL, EARTH
				34	47539261001	3	TERMINAL, WIRE 1-LEVEL

BACKPANEL 7.5 HP, 208-230/460V, 50/60 HZ, S/D - XE-70M



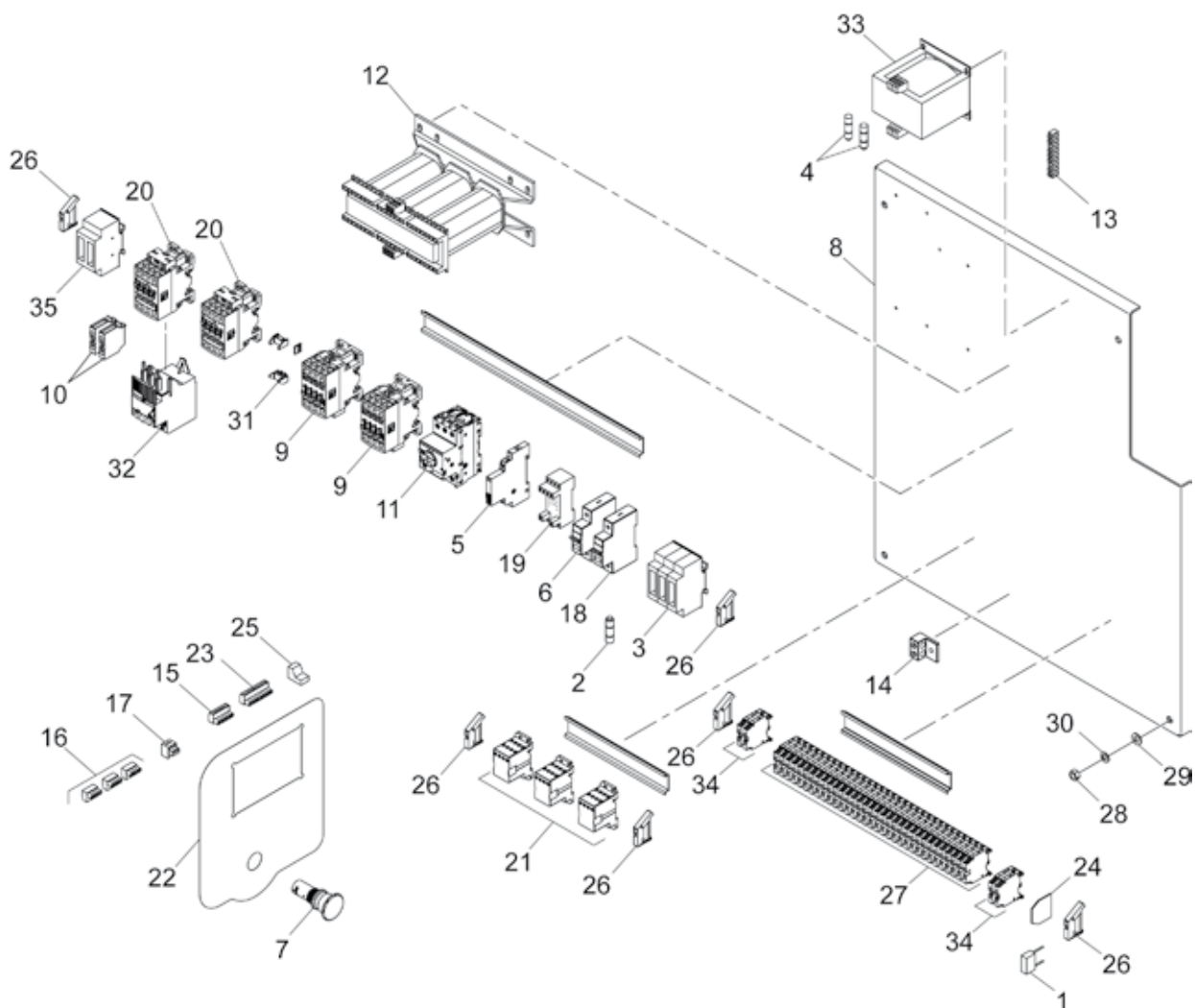
Item	Part No.	Qty	Description	Item	Part No.	Qty	Description
	47519040001	1	BACKPANEL 7.5 hp, 208-230/460V, 50/60 Hz, S/D	17	39242367	1	PLUG, 2 POSITION
1	39203443	1	SUPPRESSOR, ARC	18	47499666	1	BREAKER, MINI-CIR 1.6A
2	47504387001	2	FUSE, 0.5A	19	47499669	1	BASE, RELAY
3	22269682	2	FUSE, TIME DELAY	20	47499683	2	CONTACTOR, 18A
4	23712301	2	BLOCK, AUX CONTACT	21	23056328	3	BLOCK, POWER 1-POLE
5	23770514	1	BREAKER, MINI-CIRCUIT 3A	22	47500205001	1	DECAL, FACIA Xe-70
6	23990716	1	SWITCH, EMERGENCY STOP	23	47500509	1	CONNECTOR
7	24185209	1	PANEL, STARTER	24	54612940	1	TERMINAL, END PLATE
8	24469686	2	CONTACTOR, 9A	25	54729546	1	CONNECTOR, 2 WAY
9	24468308	2	BLOCK, AUX. CONTACT	26	89205397	6	TERMINAL, END STOP
10	24592560	1	BREAKER, MOTOR 0.4-0.63A	27	93469625	33	TERMINAL, 35A
11	24592586	1	BREAKER, MOTOR 0.63-1.0A	28	96701370	4	NUT, M8-1.25
12	24730178	1	RELAY, O/L E 5.7-18.9A	29	96704671	4	FLATWASHER
13	32342115	1	BUS, GROUNDING	30	96741467	4	LOCKWASHER
14	49089089	1	LUG, GROUNDING	31	47499662001	1	INTERLOCK, MECHANICAL
15	39186093	1	PLUG, 6 POSITION	32	47518259001	1	TRANSFORMER
16	39186101	3	PLUG, 4 POSITION	33	93469633	4	TERMINAL, EARTH
				34	22505788	1	HOLDER, FUSE 2-POLE

BACKPANEL 10 HP, 208-230/460V, 50/60 HZ, S/D - XE-70M



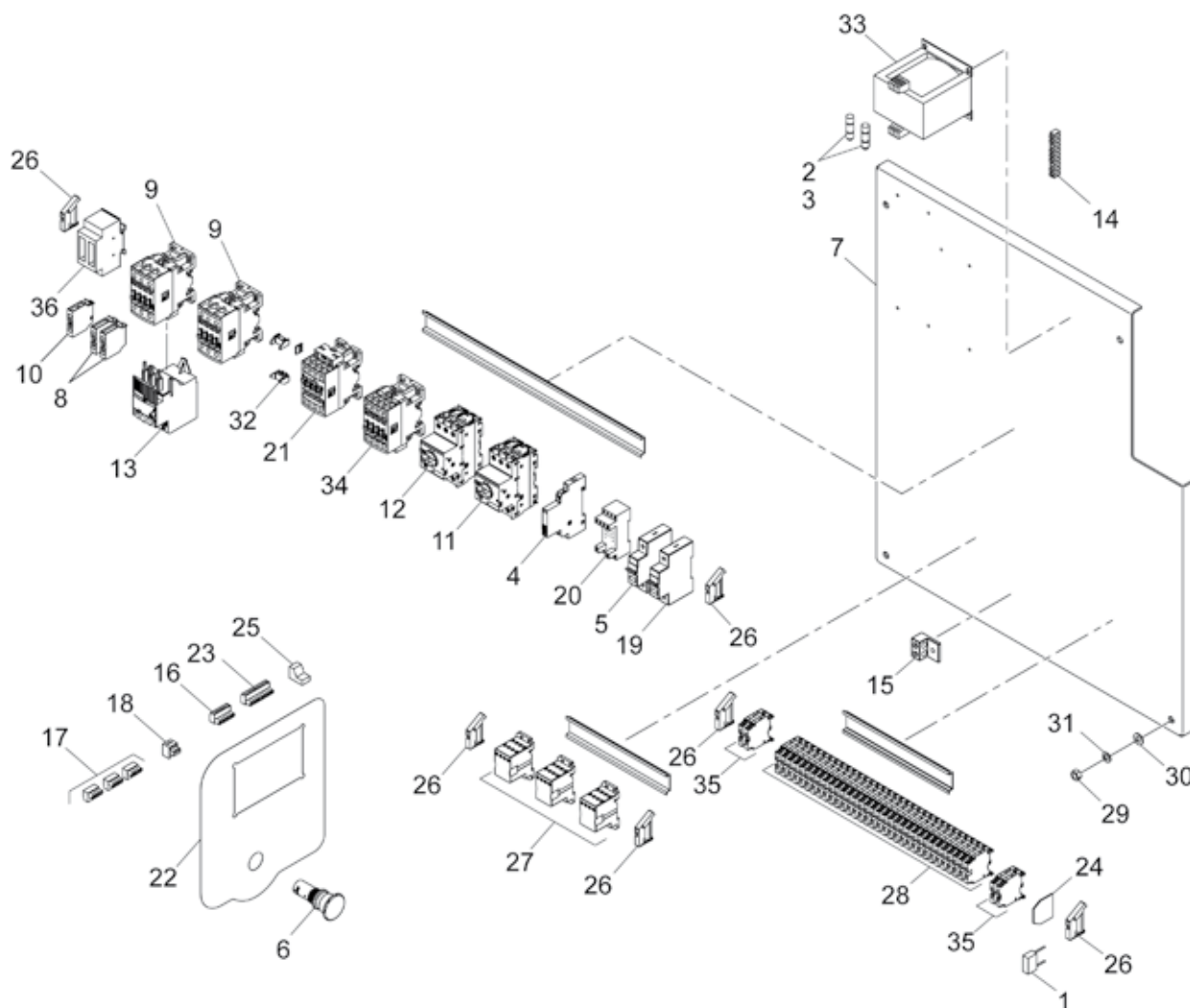
Item	Part No.	Qty	Description	Item	Part No.	Qty	Description
	47519043001	1	BACKPANEL 10 hp, 208-230/460V, 50/60 Hz, S/D	18	39242367	1	PLUG, 2 POSITION
1	39203443	1	SUPPRESSOR, ARC	19	47499666	1	BREAKER, MINI-CIR 1.6A
2	47504387001	2	FUSE, 0.5A	20	47499669	1	BASE, RELAY
3	22269682	2	FUSE, TIME DELAY	21	47499680	1	CONTACTOR, 12A
4	23712301	2	BLOCK, AUX CONTACT	22	23056328	3	BLOCK, POWER 1-POLE
5	23770514	1	BREAKER, MINI-CIRCUIT 3A	23	47500205001	1	DECAL, FACIA Xe-70
6	23990716	1	SWITCH, EMERGENCY STOP	24	47500509	1	CONNECTOR
7	24185209	1	PANEL, STARTER	25	54612940	1	TERMINAL, END PLATE
8	24468308	2	BLOCK, AUX. CONTACT	26	54729546	1	CONNECTOR, 2 WAY
9	24469710	2	CONTACTOR, 26A	27	89205397	6	TERMINAL, END STOP
10	24474116	1	CONTACT, AUX	28	93469625	33	TERMINAL, 35A
11	24592560	1	BREAKER, MOTOR 0.4-0.63A	29	96701370	4	NUT, M8-1.25
12	24592586	1	BREAKER, MOTOR 0.63-1.0A	30	96704671	4	FLATWASHER
13	24730152	1	RELAY, OVERLOAD, 9-30A	31	96741467	4	LOCKWASHER
14	32342115	1	BUS, GROUND	32	47499662001	1	INTERLOCK, MECHANICAL
15	49089089	1	LUG, GROUND	33	47518259001	1	TRANSFORMER
16	39186093	1	PLUG, 6 POSITION	34	24469686	1	CONTACTOR, 9A
17	39186101	3	PLUG, 4 POSITION	35	93469633	4	TERMINAL, EARTH
				36	22505788	1	HOLDER, FUSE 2-POLE

BACKPANEL 7.5 HP, 575V, 50/60 HZ, S/D - XE-70M



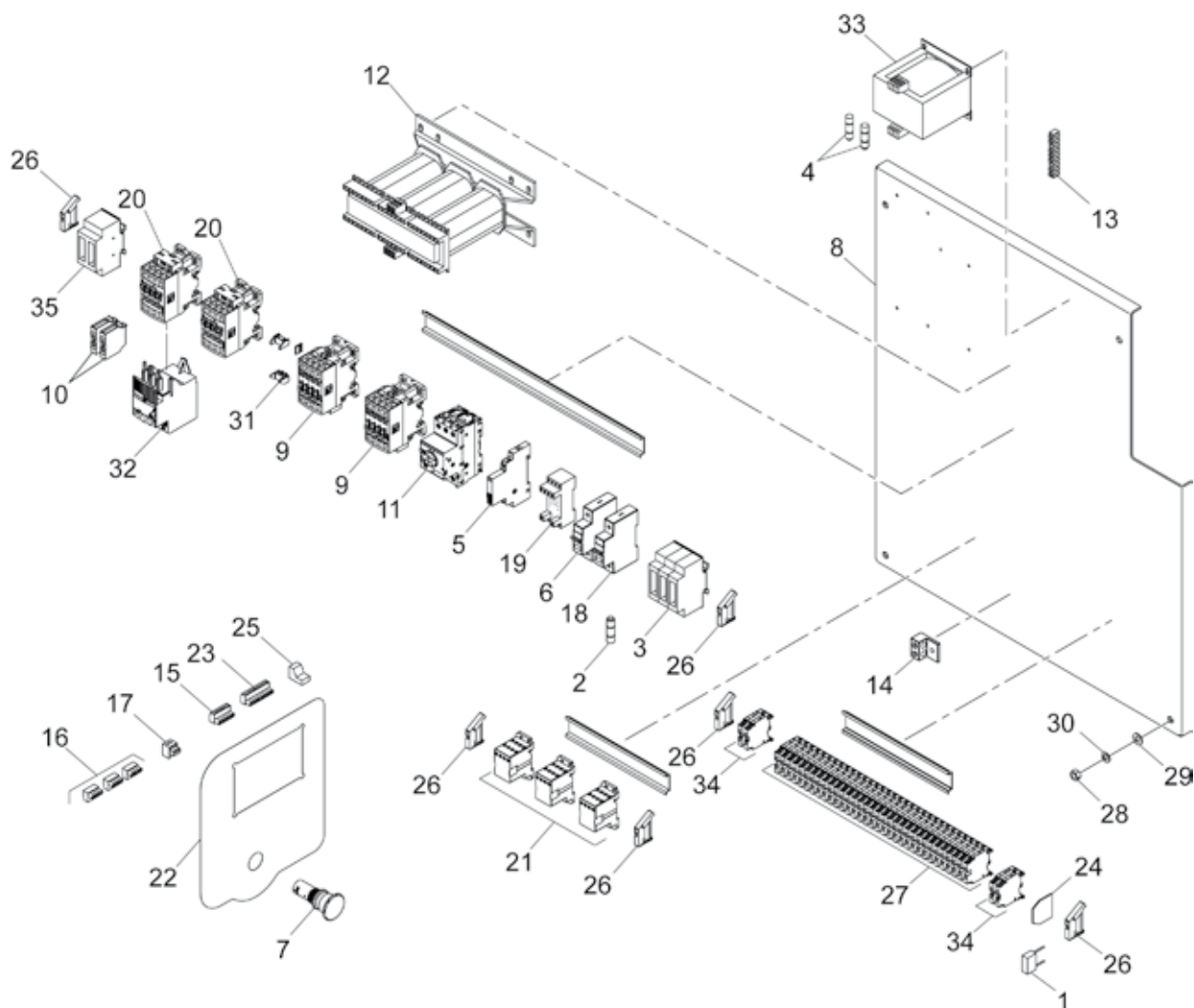
Item	Part No.	Qty	Description	Item	Part No.	Qty	Description
	47519056001	1	BACKPANEL 7.5 hp, 575V, 50/60 Hz, S/D	18	47499666	1	BREAKER, MINI-CIR 1.6A
1	39203443	1	SUPPRESSOR, ARC	19	47499669	1	BASE, RELAY
2	22269682	3	FUSE, TIME DELAY	20	47499683	2	CONTACTOR, 18A
3	22344253	1	HOLDER, 3-POLE FUSE	21	23056328	3	BLOCK, POWER
4	47504387001	2	FUSE, 0.5A	22	47500205001	1	DECAL, FACIA Xe-70
5	23712301	1	BLOCK, AUX CONTACT	23	47500509	1	CONNECTOR
6	23770514	1	BREAKER, MINI-CIRCUIT 3A	24	54612940	1	TERMINAL, END PLATE
7	23990716	1	SWITCH, EMERGENCY STOP	25	54729546	1	CONNECTOR, 2 WAY
8	24185209	1	PANEL, STARTER	26	89205397	6	TERMINAL, END STOP
9	24469686	2	CONTACTOR, 9A	27	93469625	33	TERMINAL, 35A
10	24468308	2	BLOCK, AUX. CONTACT	28	96701370	4	NUT, M8-1.25
11	24592586	1	BREAKER, MOTOR 0.63-1.0A	29	96704671	4	FLATWASHER
12	24592594	1	TRANSFORMER	30	96741467	4	LOCKWASHER
13	32342115	1	BUS, GROUND	31	47499662001	1	INTERLOCK, MECHANICAL
14	49089089	1	LUG, GROUND	32	47506172001	1	RELAY, O/L 4.2-5.7A
15	39186093	1	PLUG, 6 POSITION	33	47518259001	1	TRANSFORMER
16	39186101	3	PLUG, 4 POSITION	34	93469633	4	TERMINAL, EARTH
17	39242367	1	PLUG, 2 POSITION	35	22505788	1	HOLDER, FUSE 2-POLE

BACKPANEL 15 HP, 208-230/460V, 50/60 HZ, S/D - XE-70M



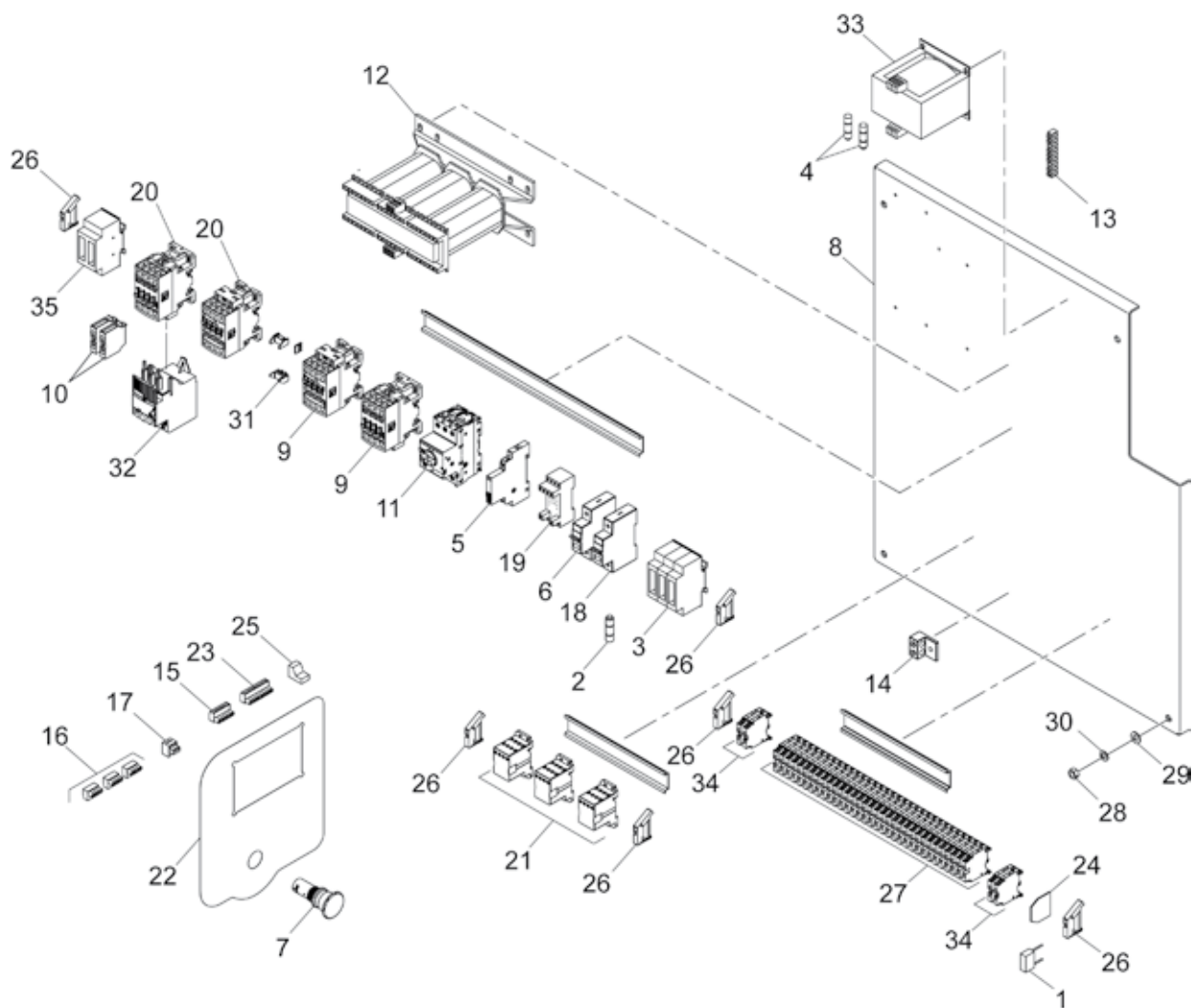
Item	Part No.	Qty	Description	Item	Part No.	Qty	Description
	47519046001	1	BACKPANEL 15 hp, 208-230/460V, 50/60 Hz, S/D	18	39242367	1	PLUG, 2 POSITION
1	39203443	1	SUPPRESSOR, ARC	19	47499666	1	BREAKER, MINI-CIR 1.6A
2	47504387001	2	FUSE, 0.5A	20	47499669	1	BASE, RELAY
3	22269682	2	FUSE, TIME DELAY	21	47499683	1	CONTACTOR, 18A
4	23712301	2	BLOCK, AUX CONTACT	22	47500205001	1	DECAL, FACIA Xe-70
5	23770514	1	BREAKER, MINI-CIRCUIT 3A	23	47500509	1	CONNECTOR
6	23990716	1	SWITCH, EMERGENCY STOP	24	54612940	1	TERMINAL, END PLATE
7	24185209	1	PANEL, STARTER	25	54729546	1	CONNECTOR, 2 WAY
8	24468308	2	BLOCK, AUX. CONTACT	26	89205397	6	TERMINAL, END STOP
9	24469728	2	CONTACTOR, 30A	27	23056328	3	BLOCK, POWER
10	24474116	1	CONTACT, AUX	28	93469625	33	TERMINAL, 35A
11	24592560	1	BREAKER, MOTOR 0.4-0.63A	29	96701370	4	NUT, M8-1.25
12	24592586	1	BREAKER, MOTOR 0.63-1.0A	30	96704671	4	FLATWASHER
13	24730152	1	RELAY, OVERLOAD, 9-30A	31	96741467	4	LOCKWASHER
14	32342115	1	BUS, GROUND	32	47499662001	1	INTERLOCK, MECHANICAL
15	49089089	1	LUG, GROUND	33	47518259001	1	TRANSFORMER
16	39186093	1	PLUG, 6 POSITION	34	24469686	1	CONTACTOR, 9A
17	39186101	3	PLUG, 4 POSITION	35	93469633	4	TERMINAL, EARTH
				36	22505788	1	HOLDER, FUSE 2-POLE

BACKPANEL 10 HP, 575V, 50/60 HZ, S/D - XE-70M



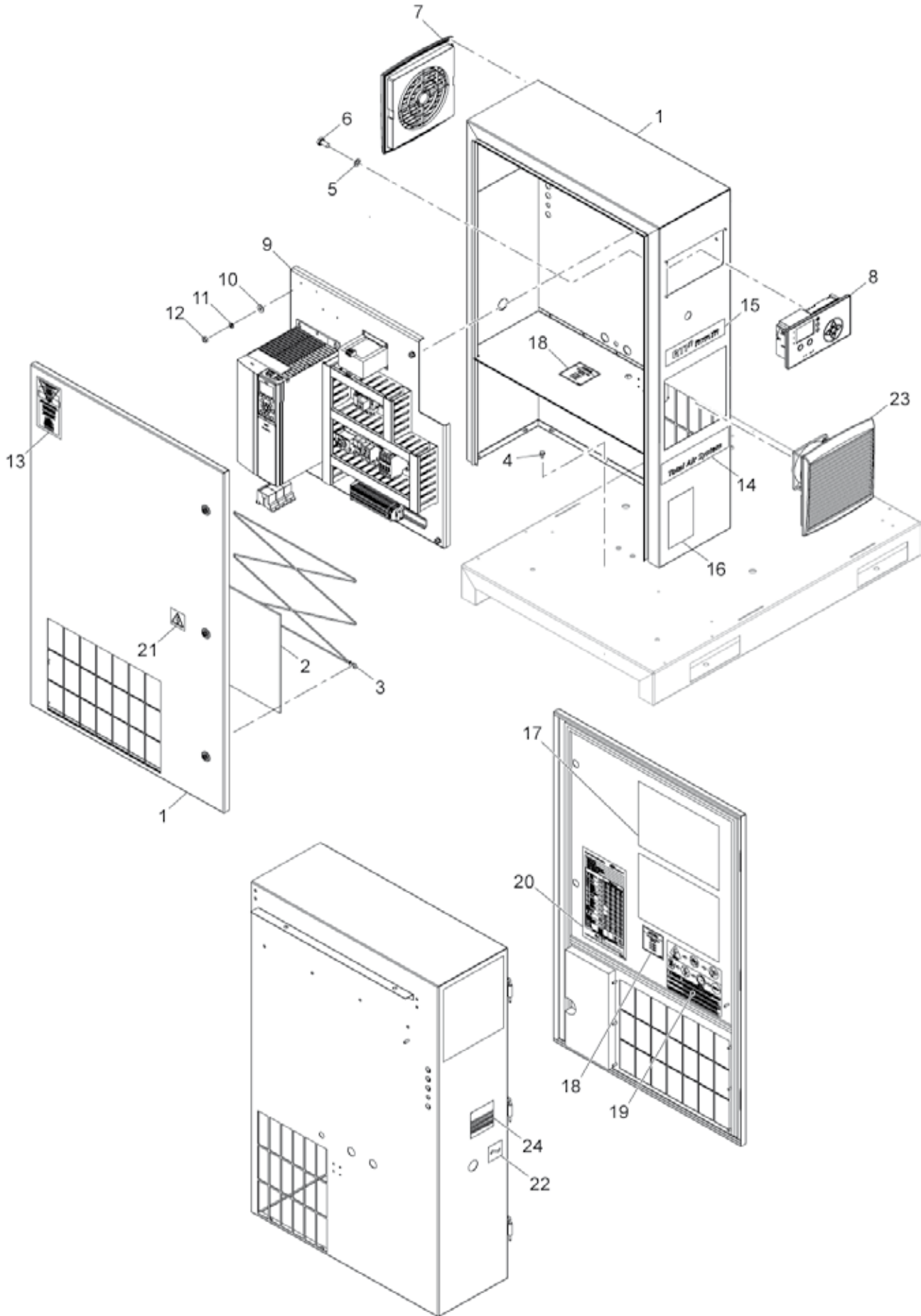
Item	Part No.	Qty	Description	Item	Part No.	Qty	Description
	47519068001	1	BACKPANEL 10 hp, 575V, 50/60 Hz, S/D	18	47499666	1	BREAKER, MINI-CIR 1.6A
1	39203443	1	SUPPRESSOR, ARC	19	47499669	1	BASE, RELAY
2	22269682	3	FUSE, TIME DELAY	20	47499683	2	CONTACTOR, 18A
3	22344253	1	HOLDER, 3-POLE FUSE	21	23056328	3	BLOCK, POWER 1-POLE
4	47504387001	2	FUSE, 0.5A	22	47500205001	1	DECAL, FACIA Xe-70
5	23712301	1	BLOCK, AUX CONTACT	23	47500509	1	CONNECTOR
6	23770514	1	BREAKER, MINI-CIRCUIT 3A	24	54612940	1	TERMINAL, END PLATE
7	23990716	1	SWITCH, EMERGENCY STOP	25	54729546	1	CONNECTOR, 2 WAY
8	24185209	1	PANEL, STARTER	26	89205397	6	TERMINAL, END STOP
9	24469686	2	CONTACTOR, 9A	27	93469625	33	TERMINAL, 35A
10	24468308	2	BLOCK, AUX. CONTACT	28	96701370	4	NUT, M8-1.25
11	24592586	1	BREAKER, MOTOR 0.63-1.0A	29	96704671	4	FLATWASHER
12	24592594	1	TRANSFORMER	30	96741467	4	LOCKWASHER
13	32342115	1	BUS, GROUND	31	47499662001	1	INTERLOCK, MECHANICAL
14	49089089	1	LUG, GROUND	32	47499663001	1	RELAY, O/L, 5.7-7.6A
15	39186093	1	PLUG, 6 POSITION	33	47518259001	1	TRANSFORMER
16	39186101	3	PLUG, 4 POSITION	34	93469633	4	TERMINAL, EARTH
17	39242367	1	PLUG, 2 POSITION	35	22505788	1	HOLDER, FUSE 2-POLE

BACKPANEL 15 HP, 575V, 50/60 HZ, S/D - XE-70M



Item	Part No.	Qty	Description	Item	Part No.	Qty	Description
	47519070001	1	BACKPANEL 15 hp, 575V, 50/60 Hz, S/D	18	47499666	1	BREAKER, MINI-CIR 1.6A
1	39203443	1	SUPPRESSOR, ARC	19	47499669	1	BASE, RELAY
2	22269682	3	FUSE, TIME DELAY	20	47499683	2	CONTACTOR, 18A
3	22344253	1	HOLDER, 3-POLE FUSE	21	23056328	3	BLOCK, POWER 1-POLE
4	47504387001	2	FUSE, 0.5A	22	47500205001	1	DECAL, FACIA Xe-70
5	23712301	1	BLOCK, AUX CONTACT	23	47500509	1	CONNECTOR
6	23770514	1	BREAKER, MINI-CIRCUIT 3A	24	54612940	1	TERMINAL, END PLATE
7	23990716	1	SWITCH, EMERGENCY STOP	25	54729546	1	CONNECTOR, 2 WAY
8	24185209	1	PANEL, STARTER	26	89205397	6	TERMINAL, END STOP
9	24469686	2	CONTACTOR, 9A	27	93469625	33	TERMINAL, 35A
10	24468308	2	BLOCK, AUX. CONTACT	28	96701370	4	NUT, M8-1.25
11	24592586	1	BREAKER, MOTOR 0.63-1.0A	29	96704671	4	FLATWASHER
12	24592594	1	TRANSFORMER	30	96741467	4	LOCKWASHER
13	32342115	1	BUS, GROUND	31	47499662001	1	INTERLOCK, MECHANICAL
14	49089089	1	LUG, GROUND	32	47504390001	1	RELAY, O/L, 10-13A
15	39186093	1	PLUG, 6 POSITION	33	47518259001	1	TRANSFORMER
16	39186101	3	PLUG, 4 POSITION	34	93469633	4	TERMINAL, EARTH
17	39242367	1	PLUG, 2 POSITION	35	22505788	1	HOLDER, FUSE 2-POLE

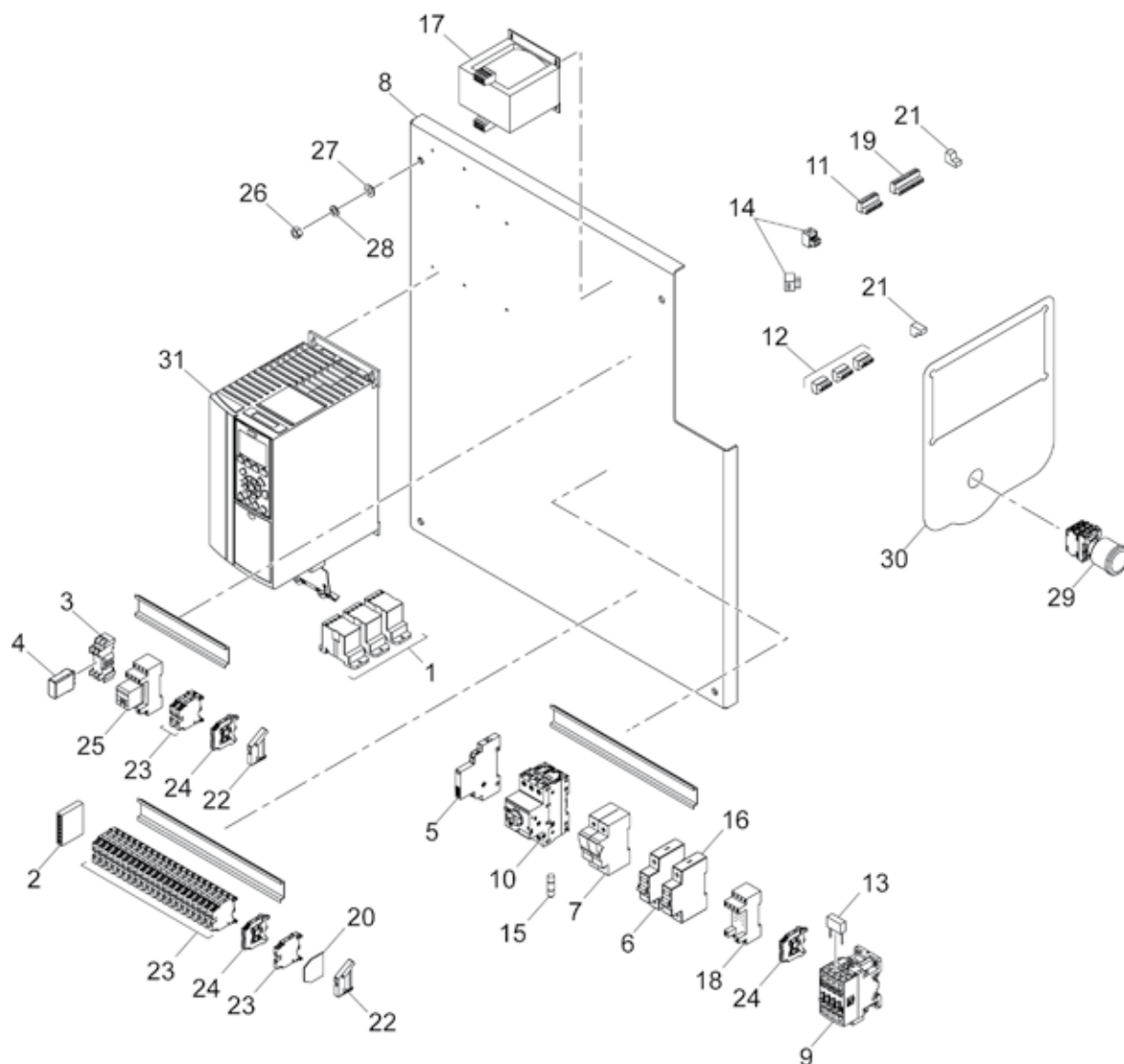
STARTER - VARIABLE SPEED DRIVE (XE-70M) ASSEMBLY DRAWING



STARTER - VARIABLE SPEED DRIVE (XE-70M) PARTS LIST

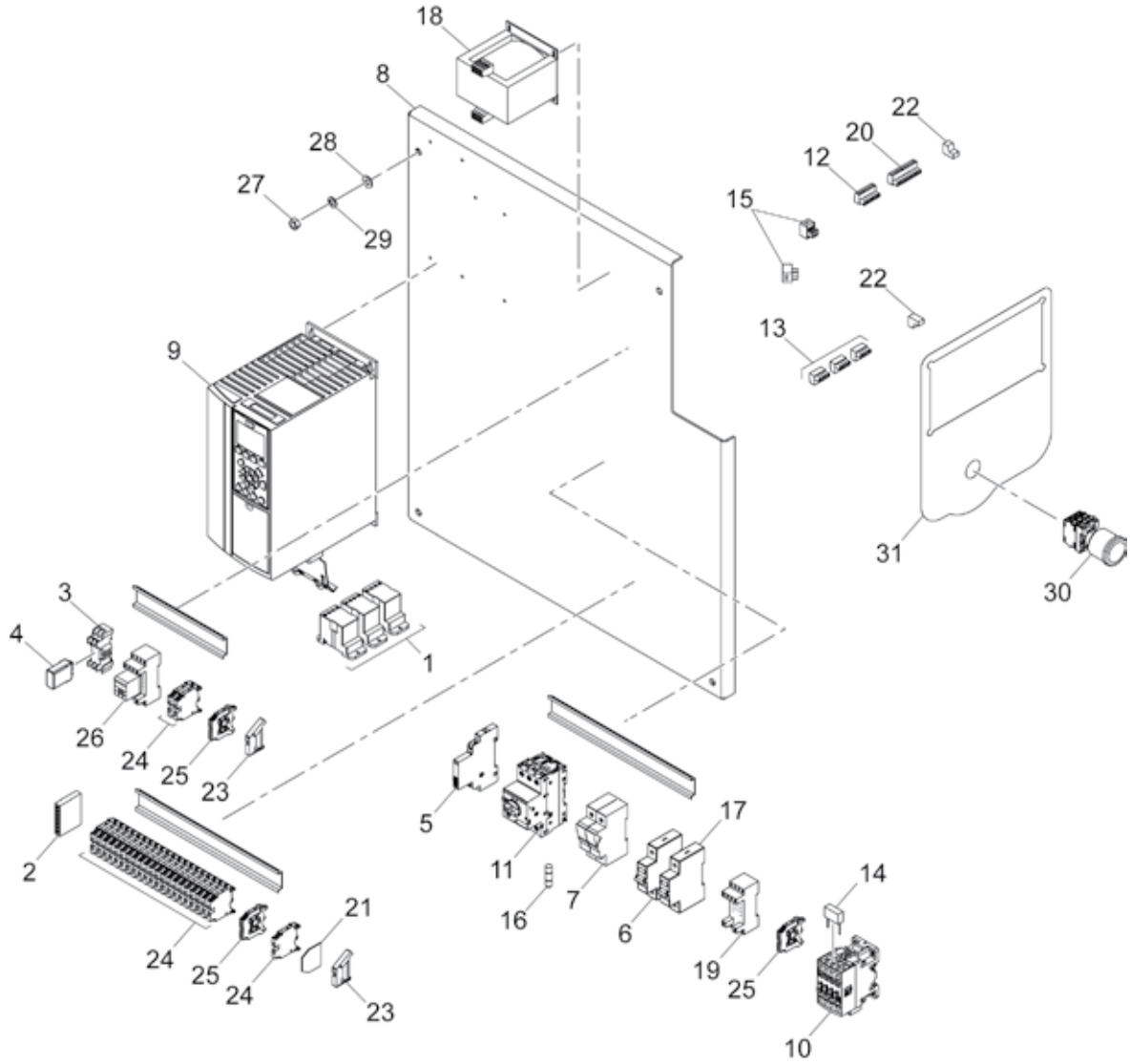
Item	Part No.	Qty	Description	Item	Part No.	Qty	Description
1	47498682001	1	STARTER BOX	9	47526215001	1	BACKPANEL - 10/15 hp, 380/440V, 60 Hz, VSD
	47516214001	1	STARTER BOX		47526213001	1	BACKPANEL - 7.5/10 hp, 220V, 60 Hz, VSD
	47520283001	1	STARTER BOX		47526216001	1	BACKPANEL - 15 hp, 220V 60 Hz, VSD
2	24286676	1	PAD, PRE-FILTER		47521087001	1	BACKPANEL - 5.5 kW, 230V, 50/60 Hz, VSD NON RFI
3	24287625	1	CORD, ELASTIC		47521090001	1	BACKPANEL - 7.5 kW, 230V, 50/60 Hz, VSD NON RFI
4	92368687	8	SCREW, M6x1x12		47521092001	1	BACKPANEL - 11 kW, 230V, 50/60 Hz, VSD NON RFI
5	92340447	4	WASHER, LOCK		10	96704671	4
6	96742358	4	SCREW, M4-0.70 x 8	11	96741467	4	WASHER, LOCK
7	47512062001	1	FILTER, GRILL w/ ELEMENT	12	96701370	4	NUT
**	47512548001	1	ELEMENT, FILTER GRILL	13	24519381	1	DECAL, CAGI - America only
8	24236051	1	CONTROLLER, VSD w/ ECO	14	47517437001	1	DECAL, TAS (w/ Dryer option only)
	24236085	1	CONTROLLER, Xe-70M - VSD	15	47515960001	1	DECAL, R5.5n
9	47499688001	1	BACKPANEL - 5.5 kW, 400V, 50/60 Hz, VSD, RFI		47515962001	1	DECAL, R7.5n
	47499696001	1	BACKPANEL - 7.5/11 kW, 400V, 50/60 Hz, VSD, RFI		47515964001	1	DECAL, R11n
	47512533001	1	BACKPANEL - 5.5 kW, 400V, 50/60 Hz, VSD ,NON RFI,	16	24728347	1	DECAL, WARNING AUTOMATIC START-UP - ISO
	47512539001	1	BACKPANEL - 7.5/11 kW, 400V, 50/60 Hz, VSD, NO RFI		24728370	1	DECAL, WARNING AUTOMATIC START-UP - LAN
	47521094001	1	BACKPANEL - 5.5 kW, 230V, 50/60 Hz, VSD RFI	17	24153603	1	DECAL, ELECTRICAL DIAGRAM
	47521096001	1	BACKPANEL - 7.5 kW, 230V, 50/60 Hz, VSD RFI	18	24795221	2	DECAL, NOTICE
	47521098001	1	BACKPANEL - 11 kW, 230V, 50/60 Hz, VSD RFI	19	23538754	1	DECAL, WARNING
	47513898001	1	BACKPANEL - 7.5 hp 208/230V, 60 Hz, VSD	20	47516504001	1	DECAL, MAINTENANCE SCHEDULE - ULTRA COOLANT
	47518261001	1	BACKPANEL - 10 hp, 208/230V, 60 Hz, VSD		47516510001	1	DECAL, MAINTENANCE SCHEDULE - ULTRA EL
	47535915001	1	BACKPANEL - 15 hp 208V, 60 Hz, VSD		47516511001		DECAL, MAINTENANCE SCHEDULE - FOOD GRADE
	47504380001	1	BACKPANEL - 15 hp, 230V, 60 Hz, VSD	21	92930593	1	DECAL, ELECTRIC SHOCK - ISO
	47518262001	1	BACKPANEL - 7.5 hp, 460V, 60 Hz, VSD		32343568	1	DECAL, ELECTRIC SHOCK - LAN
	47504388001	1	BACKPANEL - 10/15 hp, 460V, 60 Hz, VSD	22	93166486	1	DECAL, POWER INLET
	47518263001	1	BACKPANEL - 7.5 hp, 575V, 60 Hz, VSD	23	47512063001	1	FILTER, GRILL w/ FAN & ELEMENT
	47504397001	1	BACKPANEL - 10/15 hp, 575V, 60 Hz, VSD	24	47617810001	1	DECAL, INPUT POWER PROTECTION NOTICE
	47526214001	1	BACKPANEL - 7.5 hp, 380/440V, 60 Hz, VSD	**	47512548001	1	ELEMENT, FILTER GRILL
	**	NOT ILLUSTRATED					

BACKPANEL 5.5 KW, 400V, 50/60 HZ, VSD, RFI - XE-70M



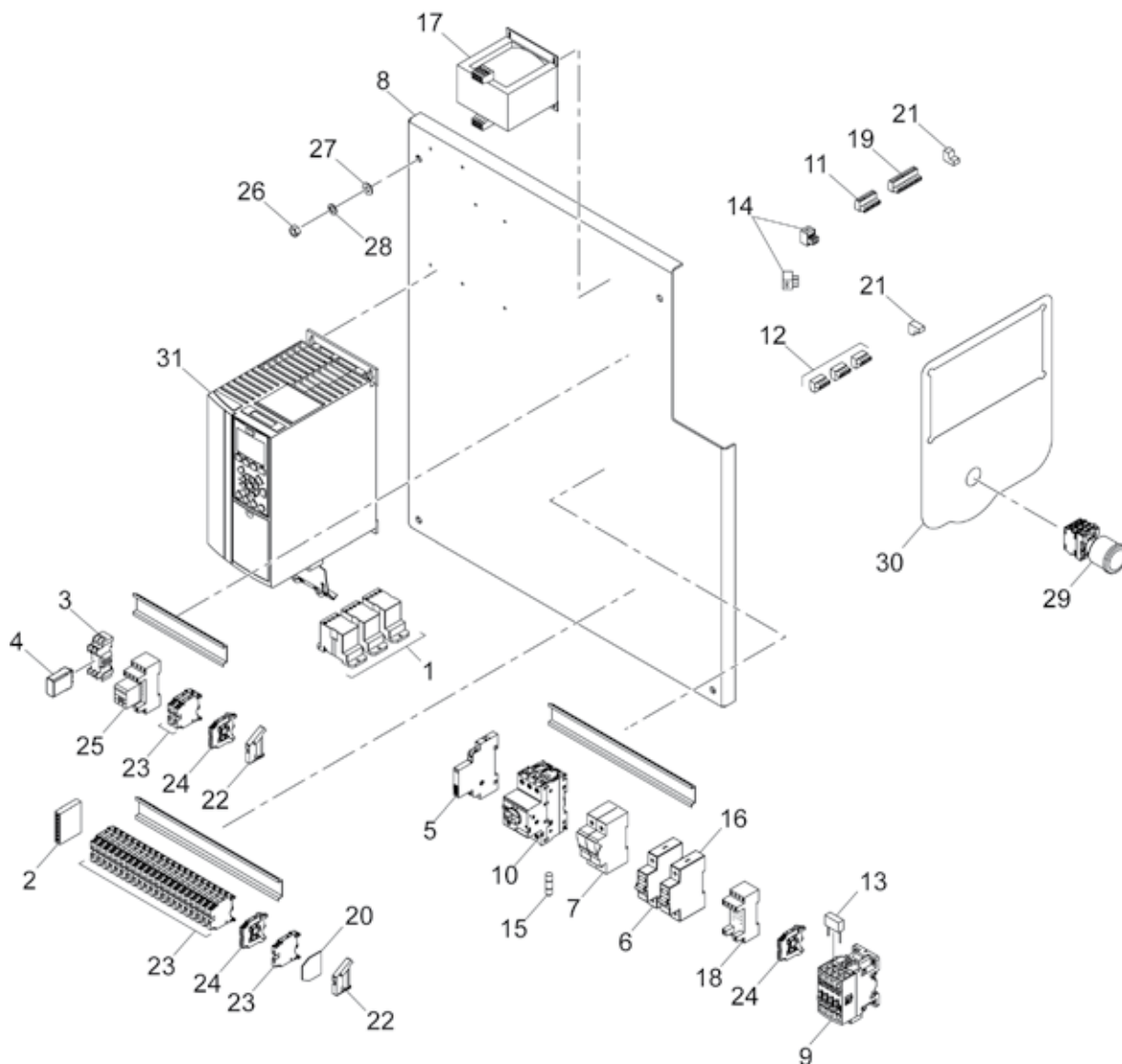
Item	Part No.	Qty	Description	Item	Part No.	Qty	Description
	47499688001	1	BACKPANEL 5.5 kW, 400V, 50/60 Hz, VSD, RFI	16	47499666	1	BREAKER, MINI-CIR 1.6A
1	23056328	3	BLOCK, POWER 1-POLE	17	47499667	1	TRANSFORMER
2	23526478	1	BUS, GROUND	18	47499669	1	BASE, RELAY
3	23644677	1	SOCKET, DIN RAIL MOUNT	19	47500509	1	CONNECTOR
4	23644743	1	RELAY, PLUG-IN	20	54612940	1	TERMINAL, END PLATE
5	23712301	1	BLOCK, AUX CONTACT	21	54729546	2	CONNECTOR, 2 WAY
6	23770514	1	BREAKER, MINI-CIRCUIT 3A	22	89205397	2	TERMINAL, END STOP
7	24141962	1	HOLDER, FUSE 2-POLE	23	93469625	24	TERMINAL, 35A
8	24185209	1	PANEL, STARTER	24	93469633	3	TERMINAL, EARTH
9	24469686	1	CONTACTOR, 9A	25	93486470	1	RELAY
10	24592560	1	BREAKER, MOTOR 0.4-0.63A	26	96701370	4	NUT, M8-1.25
11	39186093	1	PLUG, 6 POSITION	27	96704671	4	FLATWASHER
12	39186101	3	PLUG, 4 POSITION	28	96741467	4	LOCKWASHER
13	39203443	1	SUPPRESSOR, ARC	29	47499689001	1	SWITCH, EMERGENCY STOP
14	39242367	2	PLUG, 2 POSITION	30	47500205001	1	DECAL, FACIA Xe-70
15	47499665	2	FUSE, 0.5A	31	47501524001	1	DRIVE, VSD 7.5 kW

BACKPANEL 7.5/11 KW, 400V, 50/60 HZ, VSD, RFI - XE-70M



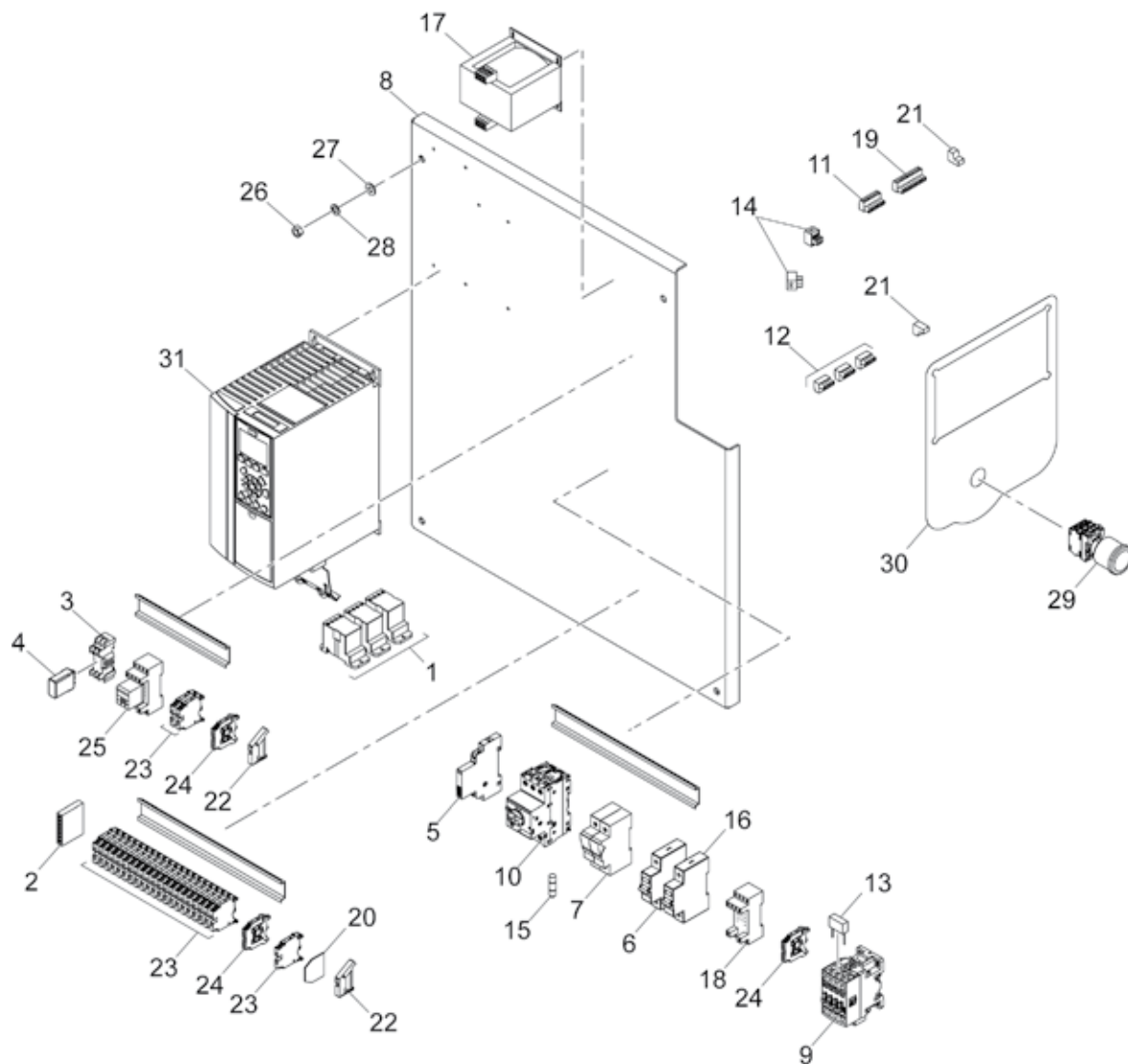
Item	Part No.	Qty	Description	Item	Part No.	Qty	Description
	47499696001	1	BACKPANEL 7.5/11 kW, 400V, 50/60 Hz, VSD, RFI	16	47499665	2	FUSE, 0.5A
1	23056328	3	BLOCK, POWER 1-POLE	17	47499666	1	BREAKER, MINI-CIR 1.6A
2	23526478	1	BUS, GROUND	18	47499667	1	TRANSFORMER
3	23644677	1	SOCKET, DIN RAIL MOUNT	19	47499669	1	BASE, RELAY
4	23644743	1	RELAY, PLUG-IN	20	47500509	1	CONNECTOR
5	23712301	1	BLOCK, AUX CONTACT	21	54612940	1	TERMINAL, END PLATE
6	23770514	1	BREAKER, MINI-CIRCUIT 3A	22	54729546	2	CONNECTOR, 2 WAY
7	24141962	1	HOLDER, FUSE 2-POLE	23	89205397	2	TERMINAL, END STOP
8	24185209	1	PANEL, STARTER	24	93469625	24	TERMINAL, 35A
9	24198996	1	DRIVE, VSD 11 kW	25	93469633	3	TERMINAL, EARTH
10	24469686	1	CONTACTOR, 9A	26	93486470	1	RELAY
11	24592560	1	BREAKER, MOTOR 0.4-0.63A	27	96701370	4	NUT, M8-1.25
12	39186093	1	PLUG, 6 POSITION	28	96704671	4	FLATWASHER
13	39186101	3	PLUG, 4 POSITION	29	96741467	4	LOCKWASHER
14	39203443	1	SUPPRESSOR, ARC	30	47499689001	1	SWITCH, EMERGENCY STOP
15	39242367	2	PLUG, 2 POSITION	31	47500205001	1	DECAL, FACIA Xe-70

BACKPANEL - 5.5 KW, 400V, 50/60 HZ, VSD NON RFI - XE-70M



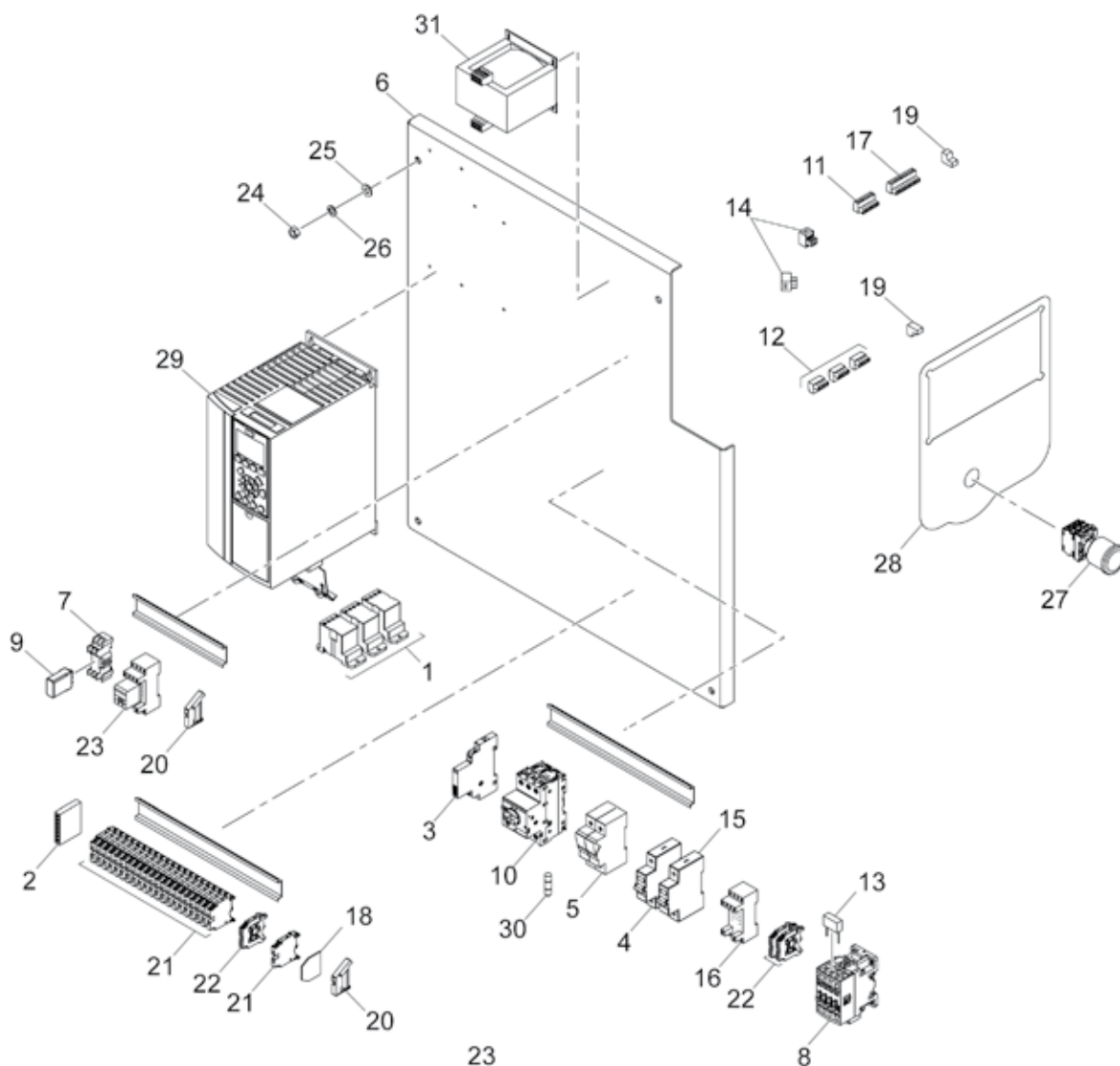
Item	Part No.	Qty	Description	Item	Part No.	Qty	Description
	47512533001	1	BACKPANEL - 5.5 kW, 400V, 50/60 Hz, VSD, NON RFI	16	47499666	1	BREAKER, MINI-CIR 1.6A
1	23056328	3	BLOCK, POWER 1-POLE	17	47499667	1	TRANSFORMER
2	23526478	1	BUS, GROUND	18	47499669	1	BASE, RELAY
3	23644677	1	SOCKET, DIN RAIL MOUNT	19	47500509	1	CONNECTOR
4	23644743	1	RELAY, PLUG-IN	20	54612940	1	TERMINAL, END PLATE
5	23712301	1	BLOCK, AUX CONTACT	21	54729546	2	CONNECTOR, 2 WAY
6	23770514	1	BREAKER, MINI-CIRCUIT 3A	22	89205397	2	TERMINAL, END STOP
7	24141962	1	HOLDER, FUSE 2-POLE	23	93469625	24	TERMINAL, 35A
8	24185209	1	PANEL, STARTER	24	93469633	3	TERMINAL, EARTH
9	24469686	1	CONTACTOR, 9A	25	93486470	1	RELAY
10	24592560	1	BREAKER, MOTOR 0.4-0.63A	26	96701370	4	NUT, M8-1.25
11	39186093	1	PLUG, 6 POSITION	27	96704671	4	FLATWASHER
12	39186101	3	PLUG, 4 POSITION	28	96741467	4	LOCKWASHER
13	39203443	1	SUPPRESSOR, ARC	29	47499689001	1	SWITCH, EMERGENCY STOP
14	39242367	2	PLUG, 2 POSITION	30	47500205001	1	DECAL, FACIA Xe-70
15	47499665	2	FUSE, 0.5A	31	47503744001	1	DRIVE, VSD

BACKPANEL - 7.5/11 KW, 400V, 50/60 HZ, VSD, NON RFI - XE-70M



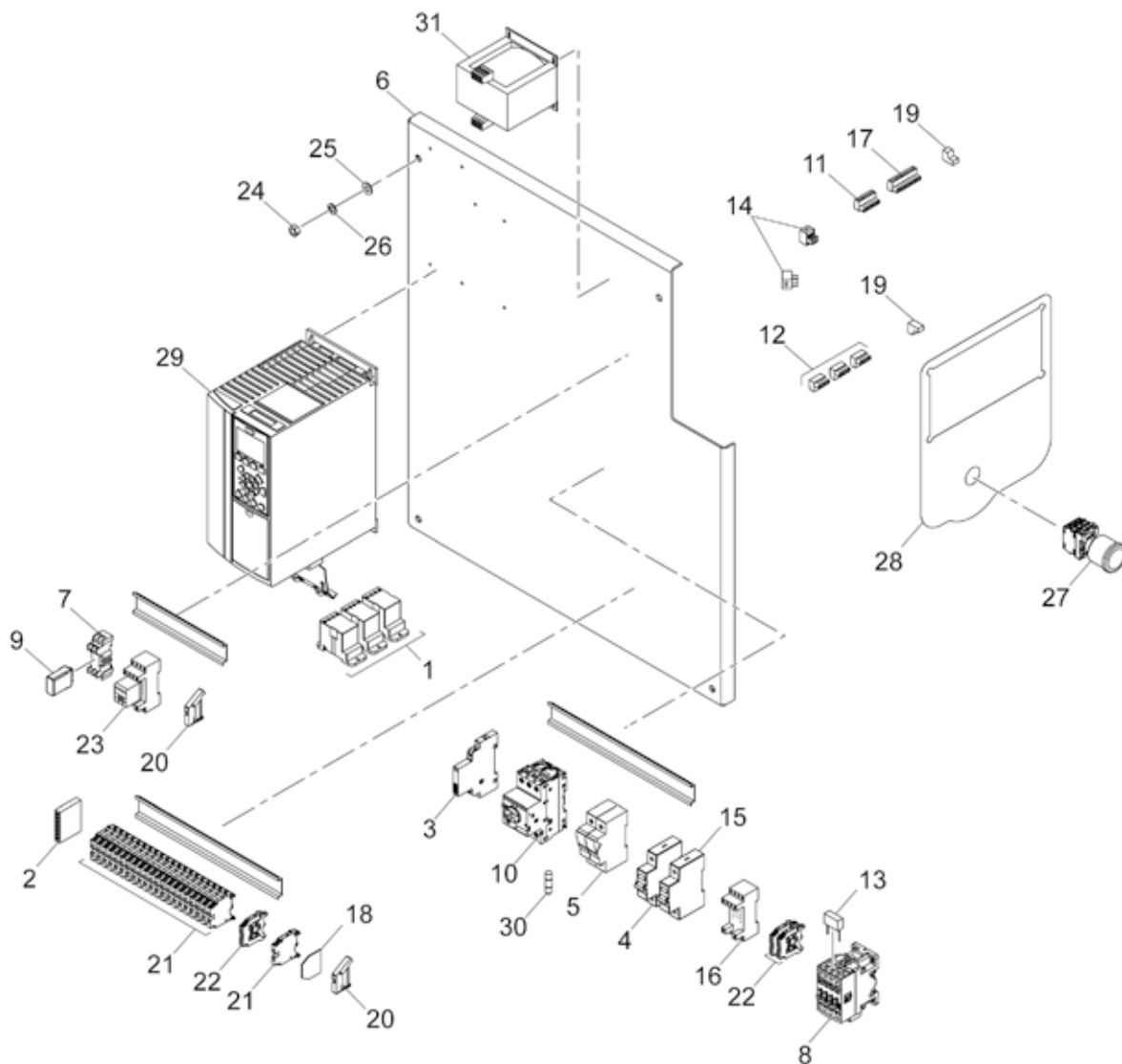
Item	Part No.	Qty	Description	Item	Part No.	Qty	Description
	47512539001	1	BACKPANEL - 7.5/11 kW, 400V, 50/60 Hz, VSD, NON RFI	16	47499666	1	BREAKER, MINI-CIR 1.6A
1	23056328	3	BLOCK, POWER 1-POLE	17	47499667	1	TRANSFORMER
2	23526478	1	BUS, GROUND	18	47499669	1	BASE, RELAY
3	23644677	1	SOCKET, DIN RAIL MOUNT	19	47500509	1	CONNECTOR
4	23644743	1	RELAY, PLUG-IN	20	54612940	1	TERMINAL, END PLATE
5	23712301	1	BLOCK, AUX CONTACT	21	54729546	2	CONNECTOR, 2 WAY
6	23770514	1	BREAKER, MINI-CIRCUIT 3A	22	89205397	2	TERMINAL, END STOP
7	24141962	1	HOLDER, FUSE 2-POLE	23	93469625	24	TERMINAL, 35A
8	24185209	1	PANEL, STARTER	24	93469633	3	TERMINAL, EARTH
9	24469686	1	CONTACTOR, 9A	25	93486470	1	RELAY
10	24592560	1	BREAKER, MOTOR 0.4-0.63A	26	96701370	4	NUT, M8-1.25
11	39186093	1	PLUG, 6 POSITION	27	96704671	4	FLATWASHER
12	39186101	3	PLUG, 4 POSITION	28	96741467	4	LOCKWASHER
13	39203443	1	SUPPRESSOR, ARC	29	47499689001	1	SWITCH, EMERGENCY STOP
14	39242367	2	PLUG, 2 POSITION	30	47500205001	1	DECAL, FACIA Xe-70
15	47499665	2	FUSE, 0.5A	31	47503743001	1	DRIVE, VSD

BACKPANEL 5.5 KW, 230V, 50/60 HZ, VSD RFI - XE-70M



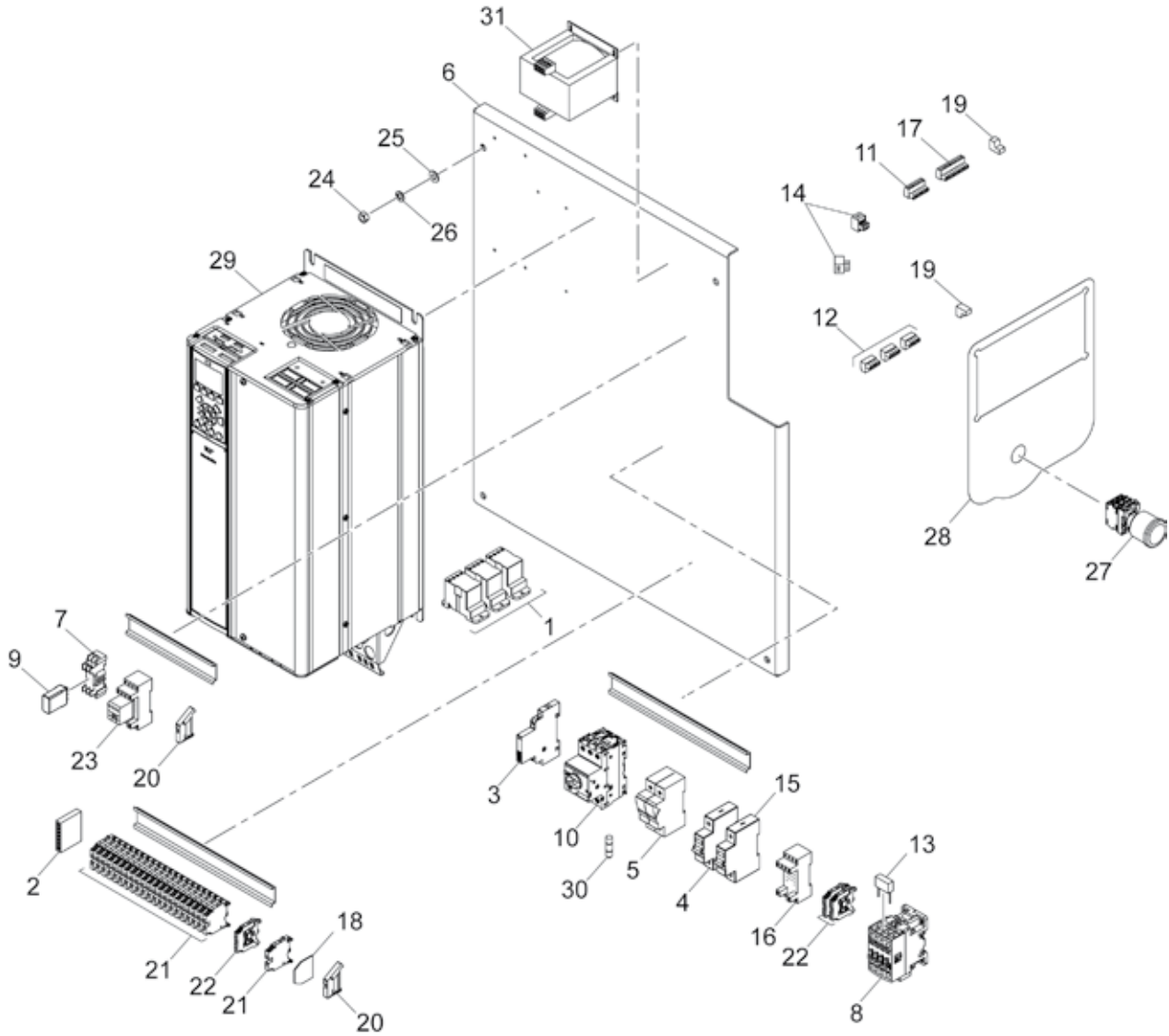
Item	Part No.	Qty	Description	Item	Part No.	Qty	Description
	47521094001	1	BACKPANEL 5.5 kW, 230V, 50/60 Hz, VSD RFI	16	47499669	1	BASE, RELAY
1	23056328	3	BLOCK, POWER 1-POLE	17	47500509	1	CONNECTOR
2	23526478	1	BUS, GROUND	18	54612940	1	TERMINAL, END PLATE
3	23712301	1	BLOCK, AUX CONTACT	19	54729546	2	CONNECTOR, 2 WAY
4	23770514	1	BREAKER, MINI-CIRCUIT 3A	20	89205397	2	TERMINAL, END STOP
5	24141962	1	HOLDER, FUSE 2-POLE	21	93469625	24	TERMINAL, 35A
6	24185209	1	PANEL, STARTER	22	93469633	3	TERMINAL, EARTH
7	24329161	1	SOCKET, RELAY	23	93486470	1	RELAY
8	24469686	1	CONTACTOR, 9A	24	96701370	4	NUT, M8-1.25
9	24521965	1	RELAY, PLUG-IN	25	96704671	4	FLATWASHER
10	24592586	1	BREAKER, MOTOR 0.63-1.0A	26	96741467	4	LOCKWASHER
11	39186093	1	PLUG, 6 POSITION	27	47499689001	1	SWITCH, EMERGENCY STOP
12	39186101	3	PLUG, 4 POSITION	28	47500205001	1	DECAL, FACIA Xe-70
13	39203443	1	SUPPRESSOR, ARC	29	47512534001	1	DRIVE, VSD
14	39242367	2	PLUG, 2 POSITION	30	47521061001	2	FUSE, 1A
15	47499666	1	BREAKER, MINI-CIR 1.6A	31	47521062001	1	TRANSFORMER

BACKPANEL 7.5 KW, 230V, 50/60 HZ, VSD RFI - XE-70M



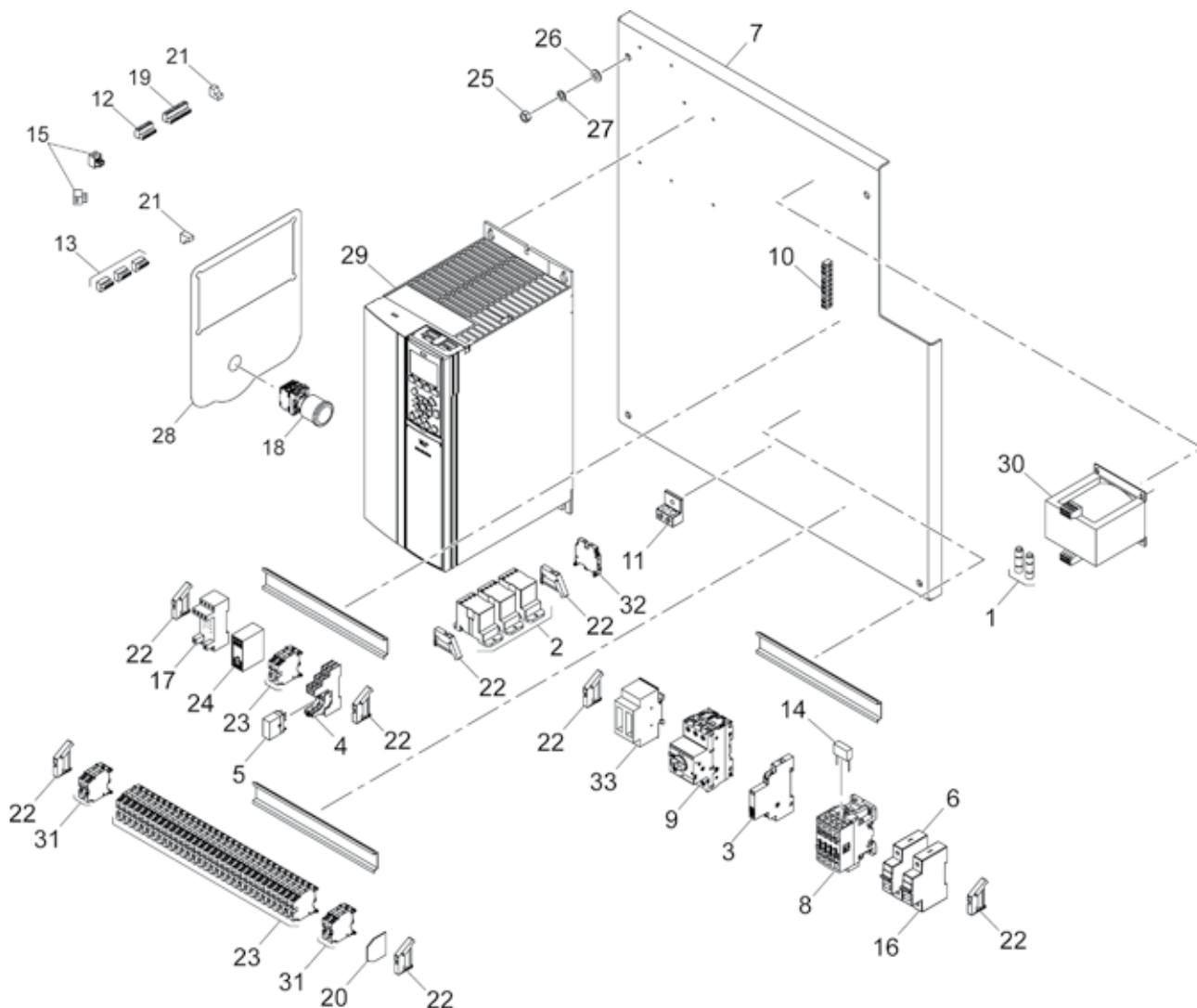
Item	Part No.	Qty	Description	Item	Part No.	Qty	Description
	47521096001	1	BACKPANEL 7.5 kW, 230V, 50/60 Hz, VSD RFI - Xe-70M	16	47499669	1	BASE, RELAY
1	23056328	3	BLOCK, POWER 1-POLE	17	47500509	1	CONNECTOR
2	23526478	1	BUS, GROUND	18	54612940	1	TERMINAL, END PLATE
3	23712301	1	BLOCK, AUX CONTACT	19	54729546	2	CONNECTOR, 2 WAY
4	23770514	1	BREAKER, MINI-CIRCUIT 3A	20	89205397	2	TERMINAL, END STOP
5	24141962	1	HOLDER, FUSE 2-POLE	21	93469625	24	TERMINAL, 35A
6	24185209	1	PANEL, STARTER	22	93469633	3	TERMINAL, EARTH
7	24329161	1	SOCKET, RELAY	23	93486470	1	RELAY
8	24469686	1	CONTACTOR, 9A	24	96701370	4	NUT, M8-1.25
9	24521965	1	RELAY, PLUG-IN	25	96704671	4	FLATWASHER
10	24592586	1	BREAKER, MOTOR 0.63-1.0A	26	96741467	4	LOCKWASHER
11	39186093	1	PLUG, 6 POSITION	27	47499689001	1	SWITCH, EMERGENCY STOP
12	39186101	3	PLUG, 4 POSITION	28	47500205001	1	DECAL, FACIA Xe-70
13	39203443	1	SUPPRESSOR, ARC	29	47512537001	1	DRIVE, VSD
14	39242367	2	PLUG, 2 POSITION	30	47521061001	2	FUSE, 1A
15	47499666	1	BREAKER, MINI-CIR 1.6A	31	47521062001	1	TRANSFORMER

BACKPANEL - 11 KW, 230V, 50/60 HZ, VSD RFI - XE-70M



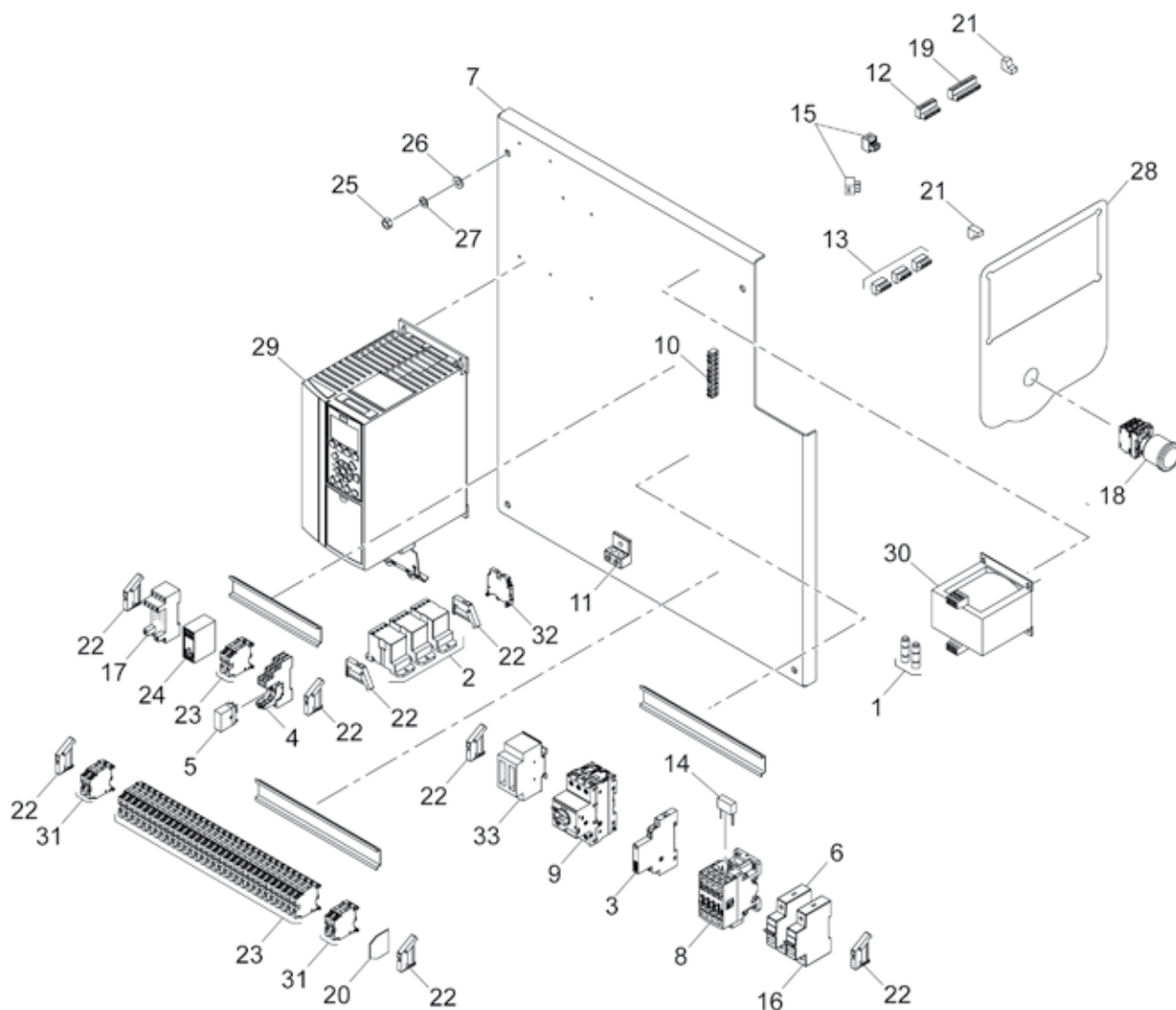
Item	Part No.	Qty	Description	Item	Part No.	Qty	Description
	47521098001	1	BACKPANEL - 11 kW, 230V, 50/60 Hz, VSD RFI	16	47499669	1	BASE, RELAY
1	23056328	3	BLOCK, POWER 1-POLE	17	47500509	1	CONNECTOR
2	23526478	1	BUS, GROUND	18	54612940	1	TERMINAL, END PLATE
3	23712301	1	BLOCK, AUX CONTACT	19	54729546	2	CONNECTOR, 2 WAY
4	23770514	1	BREAKER, MINI-CIRCUIT 3A	20	89205397	2	TERMINAL, END STOP
5	24141962	1	HOLDER, FUSE 2-POLE	21	93469625	24	TERMINAL, 35A
6	24185209	1	PANEL, STARTER	22	93469633	3	TERMINAL, EARTH
7	24329161	1	SOCKET, RELAY	23	93486470	1	RELAY
8	24469686	1	CONTACTOR, 9A	24	96701370	4	NUT, M8-1.25
9	24521965	1	RELAY, PLUG-IN	25	96704671	4	FLATWASHER
10	24592586	1	BREAKER, MOTOR 0.63-1.0A	26	96741467	4	LOCKWASHER
11	39186093	1	PLUG, 6 POSITION	27	47499689001	1	SWITCH, EMERGENCY STOP
12	39186101	3	PLUG, 4 POSITION	28	47500205001	1	DECAL, FACIA Xe-70
13	39203443	1	SUPPRESSOR, ARC	29	47512540001	1	DRIVE, VSD
14	39242367	2	PLUG, 2 POSITION	30	47521061001	2	FUSE, 1A
15	47499666	1	BREAKER, MINI-CIR 1.6A	31	47521062001	1	TRANSFORMER

BACKPANEL - 7.5 HP, 208/230V, 60 HZ, VSD - XE-70M



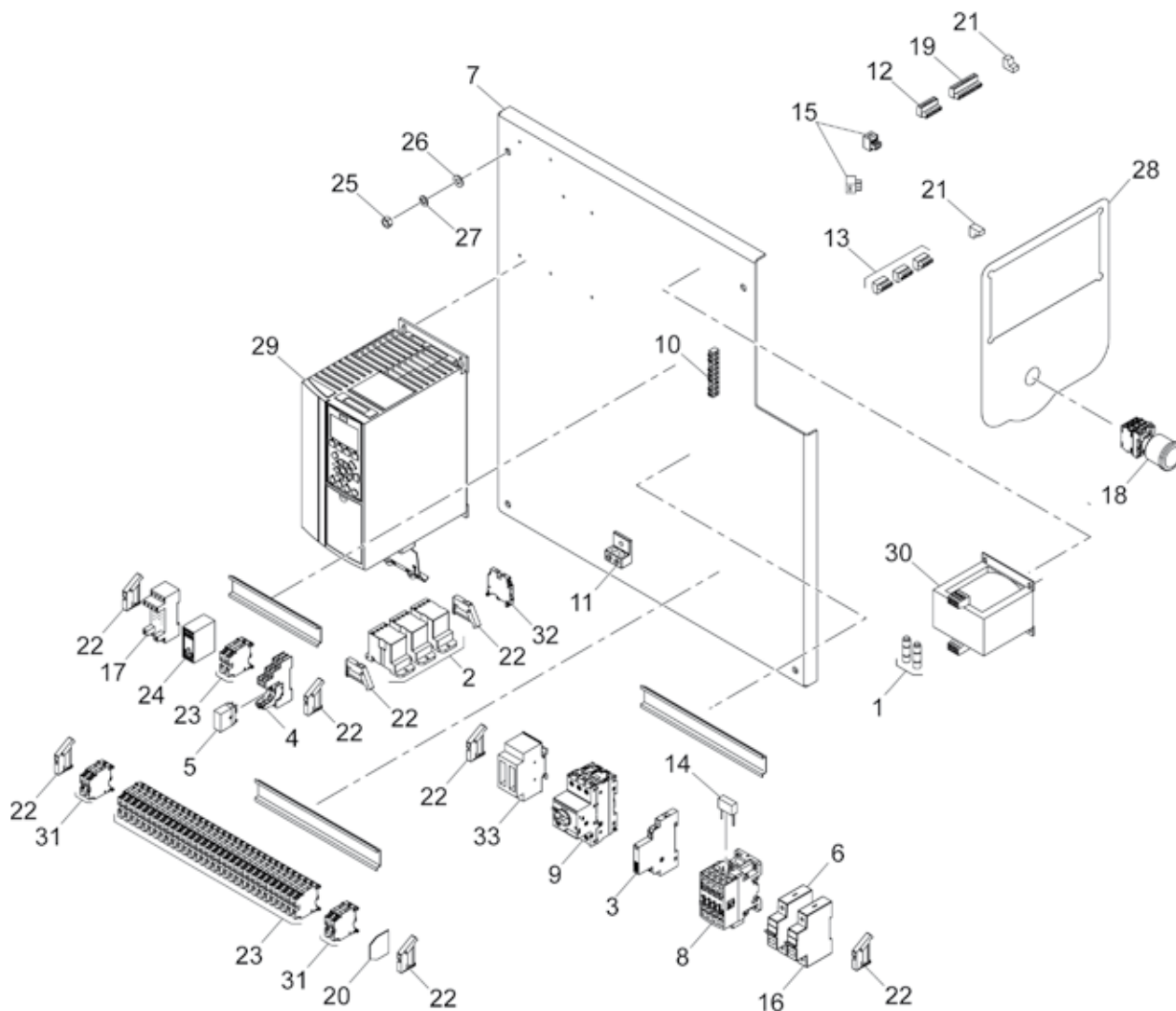
Item	Part No.	Qty	Description	Item	Part No.	Qty	Description
	47513898001	1	BACKPANEL - 7.5 hp, 208/230V, 60 Hz, VSD	17	47499669	1	BASE, RELAY
1	22269682	2	FUSE, TIME DELAY	18	47499689001	1	SWITCH, EMERGENCY STOP
2	23056328	3	BLOCK, POWER 1-POLE	19	47500509	1	CONNECTOR
3	23712301	1	BLOCK, AUX CONTACT	20	54612940	1	TERMINAL, END PLATE
4	24329161	1	SOCKET, RELAY	21	54729546	2	CONNECTOR, 2 WAY
5	24521965	1	RELAY, PLUG-IN	22	89205397	8	TERMINAL, END STOP
6	23770514	1	BREAKER, MINI-CIRCUIT 3A	23	93469625	33	TERMINAL, 35A
7	24185209	1	PANEL, STARTER	24	93486470	1	RELAY
8	24469686	1	CONTACTOR, 9A	25	96701370	4	NUT, M8-1.25
9	24592586	1	BREAKER, MOTOR 0.63-1.0A	26	96704671	4	FLATWASHER
10	32342115	1	BUS, GROUND	27	96741467	4	LOCKWASHER
11	49089089	1	LUG, GROUND	28	47500205001	1	DECAL, FACIA Xe-70
12	39186093	1	PLUG, 6 POSITION	29	47503742001	1	DRIVE, VSD
13	39186101	3	PLUG, 4 POSITION	30	47518259001	1	TRANSFORMER
14	39203443	1	SUPPRESSOR, ARC	31	93469633	4	TERMINAL, EARTH
15	39242367	2	PLUG, 2 POSITION	32	48970651	1	TERMINAL, EARTH
16	47499666	1	BREAKER, MINI-CIR 1.6A	33	22505788	1	HOLDER, FUSE 2-POLE

BACKPANEL - 7.5 HP, 460V, 60 HZ, VSD - XE-70M



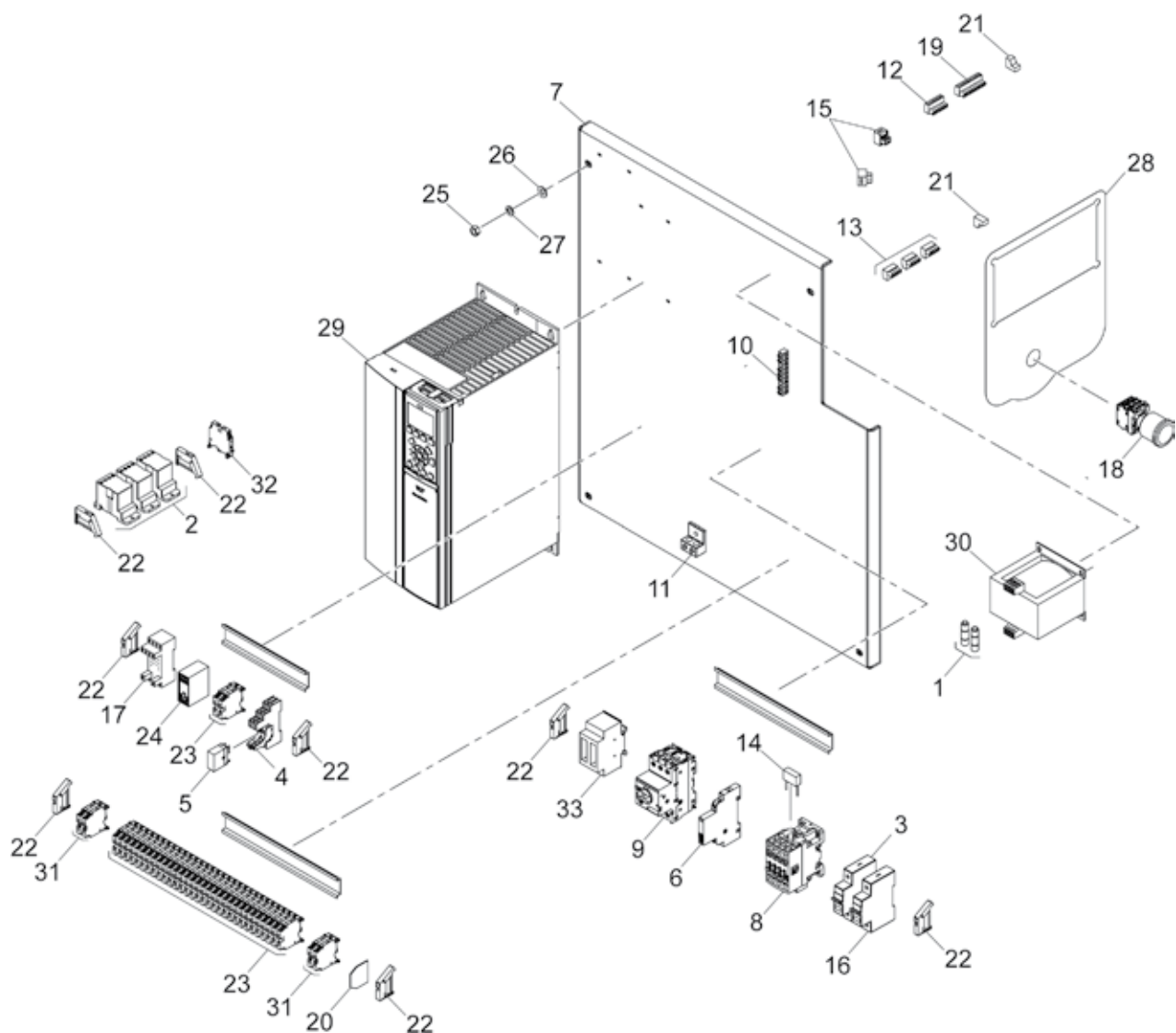
Item	Part No.	Qty	Description	Item	Part No.	Qty	Description
	47518262001	1	BACKPANEL - 7.5 hp, 460V, 60 Hz, VSD	17	47499669	1	BASE, RELAY
1	22269682	2	FUSE, TIME DELAY	18	47499689001	1	SWITCH, EMERGENCY STOP
2	23056328	3	BLOCK, POWER	19	47500509	1	CONNECTOR
3	23712301	1	BLOCK, AUX CONTACT	20	54612940	1	TERMINAL, END PLATE
4	24329161	1	SOCKET, RELAY	21	54729546	2	CONNECTOR, 2 WAY
5	24521965	1	RELAY, PLUG-IN	22	89205397	8	TERMINAL, END STOP
6	23770514	1	BREAKER, MINI-CIRCUIT 3A	23	93469625	33	TERMINAL, 35A
7	24185209	1	PANEL, STARTER	24	93486470	1	RELAY
8	24469686	1	CONTACTOR, 9A	25	96701370	4	NUT, M8-1.25
9	24592560	1	BREAKER, MOTOR 0.4-0.63A	26	96704671	4	FLATWASHER
10	32342115	1	BUS, GROUND	27	96741467	4	LOCKWASHER
11	49089089	1	LUG, GROUND	28	47500205001	1	DECAL, FACIA Xe-70
12	39186093	1	PLUG, 6 POSITION	29	47503744001	1	DRIVE, VSD
13	39186101	3	PLUG, 4 POSITION	30	47518259001	1	TRANSFORMER
14	39203443	1	SUPPRESSOR, ARC	31	93469633	4	TERMINAL, EARTH
15	39242367	2	PLUG, 2 POSITION	32	48970651	1	TERMINAL, EARTH
16	47499666	1	BREAKER, MINI-CIR 1.6A	33	22505788	1	HOLDER, FUSE 2-POLE

BACKPANEL - 10 HP, 208/230V, 60 HZ, VSD - XE-70M



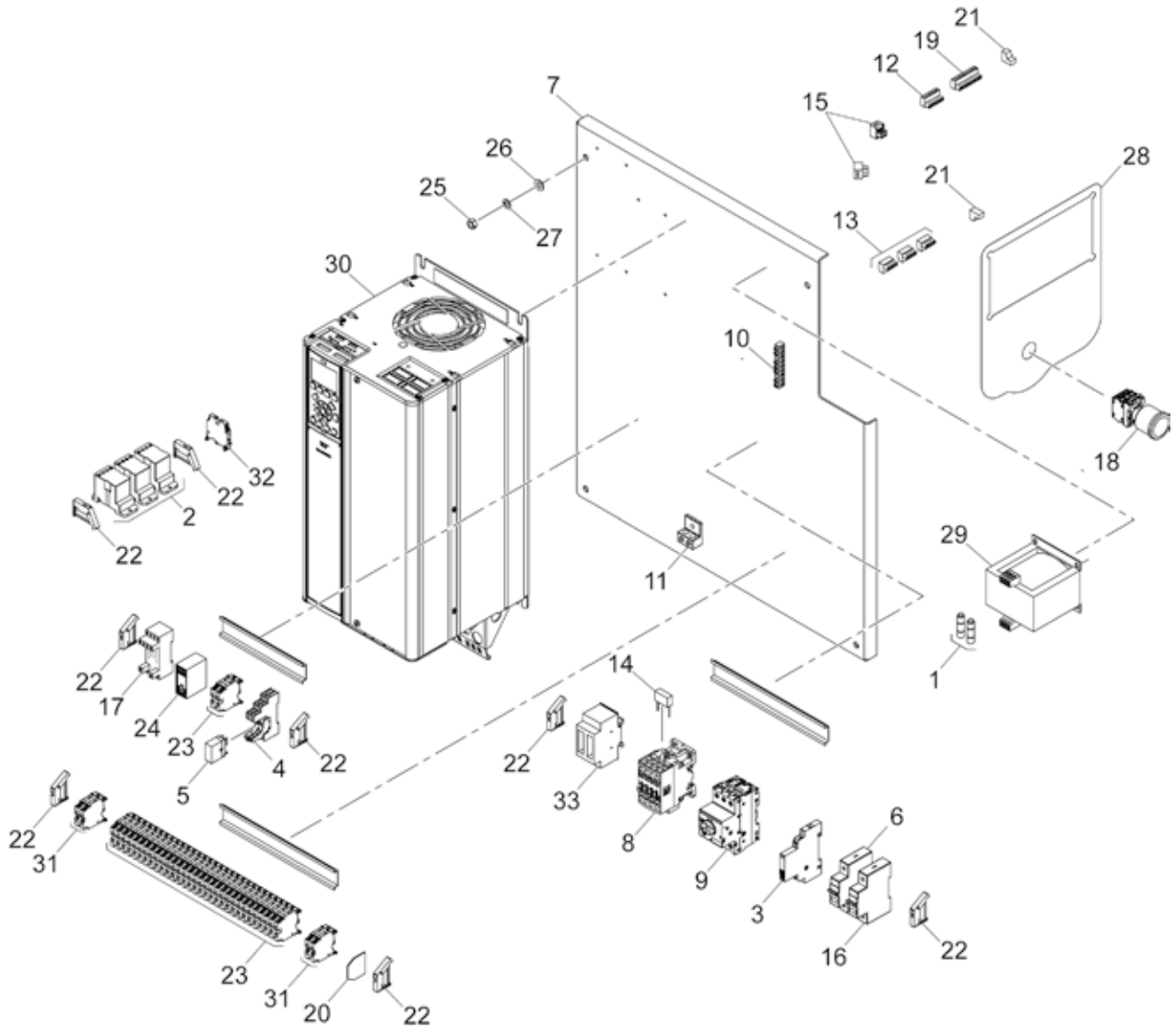
Item	Part No.	Qty	Description	Item	Part No.	Qty	Description
	47518261001	1	BACKPANEL - 10 hp, 208/230V, 60 Hz, VSD	17	47499669	1	BASE, RELAY
1	22269682	2	FUSE, TIME DELAY	18	47499689001	1	SWITCH, EMERGENCY STOP
2	23056328	3	BLOCK, POWER 1-POLE	19	47500509	1	CONNECTOR
3	23712301	1	BLOCK, AUX CONTACT	20	54612940	1	TERMINAL, END PLATE
4	24329161	1	SOCKET, RELAY	21	54729546	2	CONNECTOR, 2 WAY
5	24521965	1	RELAY, PLUG-IN	22	89205397	8	TERMINAL, END STOP
6	23770514	1	BREAKER, MINI-CIRCUIT 3A	23	93469625	33	TERMINAL, 35A
7	24185209	1	PANEL, STARTER	24	93486470	1	RELAY
8	24469686	1	CONTACTOR, 9A	25	96701370	4	NUT, M8-1.25
9	24592586	1	BREAKER, MOTOR 0.63-1.0A	26	96704671	4	FLATWASHER
10	32342115	1	BUS, GROUND	27	96741467	4	LOCKWASHER
11	49089089	1	LUG, GROUND	28	47500205001	1	DECAL, FACIA Xe-70
12	39186093	1	PLUG, 6 POSITION	29	47503741001	1	DRIVE, VSD
13	39186101	3	PLUG, 4 POSITION	30	47518259001	1	TRANSFORMER
14	39203443	1	SUPPRESSOR, ARC	31	93469633	4	TERMINAL, EARTH
15	39242367	2	PLUG, 2 POSITION	32	48970651	1	TERMINAL, EARTH
16	47499666	1	BREAKER, MINI-CIR 1.6A	33	22505788	1	HOLDER, FUSE 2-POLE

BACKPANEL - 10/15 HP, 460V, 60 HZ, VSD - XE-70M



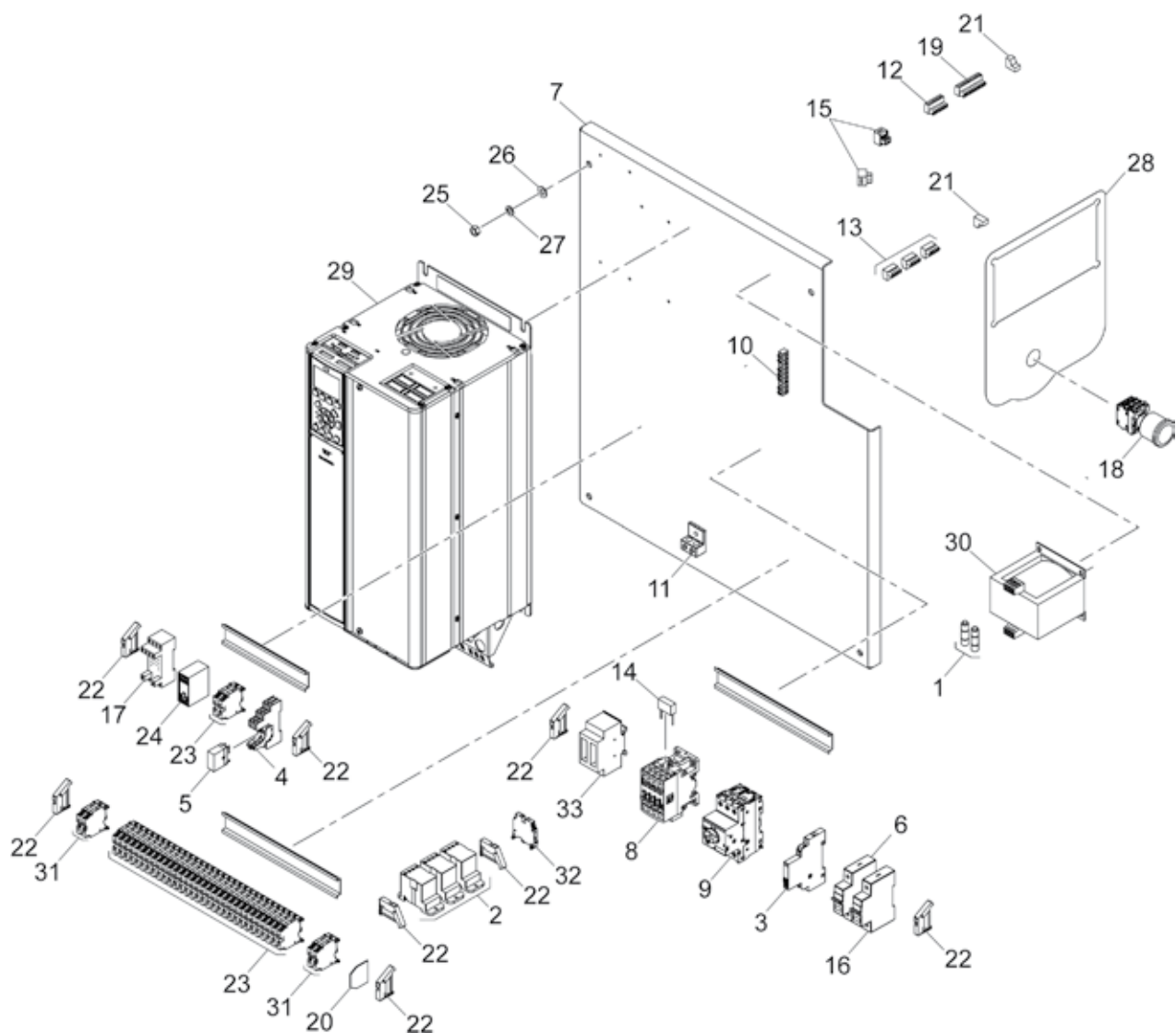
Item	Part No.	Qty	Description	Item	Part No.	Qty	Description
	47504388001	1	BACKPANEL - 10/15 hp, 460V, 60 Hz, VSD	17	47499669	1	BASE, RELAY
1	22269682	2	FUSE, TIME DELAY	18	47499689001	1	SWITCH, EMERGENCY STOP
2	23056328	3	BLOCK, POWER	19	47500509	1	CONNECTOR
3	23770514	1	BREAKER, MINI-CIRCUIT 3A	20	54612940	1	TERMINAL, END PLATE
4	24329161	1	SOCKET, RELAY	21	54729546	2	CONNECTOR, 2 WAY
5	24521965	1	RELAY, PLUG-IN	22	89205397	8	TERMINAL, END STOP
6	23712301	1	BLOCK, AUX CONTACT	23	93469625	33	TERMINAL, 35A
7	24185209	1	PANEL, STARTER	24	93486470	1	RELAY
8	24469686	1	CONTACTOR, 9A	25	96701370	4	NUT, M8-1.25
9	24592560	1	BREAKER, MOTOR 0.4-0.63A	26	96704671	4	FLATWASHER
10	32342115	1	BUS, GROUND	27	96741467	4	LOCKWASHER
11	49089089	1	LUG, GROUND	28	47500205001	1	DECAL, FACIA Xe-70
12	39186093	1	PLUG, 6 POSITION	29	47503743001	1	DRIVE, VSD
13	39186101	3	PLUG, 4 POSITION	30	47518259001	1	TRANSFORMER
14	39203443	1	SUPPRESSOR, ARC	31	93469633	4	TERMINAL, EARTH
15	39242367	2	PLUG, 2 POSITION	32	48970651	1	TERMINAL, EARTH
16	47499666	1	BREAKER, MINI-CIR 1.6A	33	22505788	1	HOLDER, FUSE 2-POLE

BACKPANEL - 15 HP, 208V, 60 HZ, VSD - XE-70M



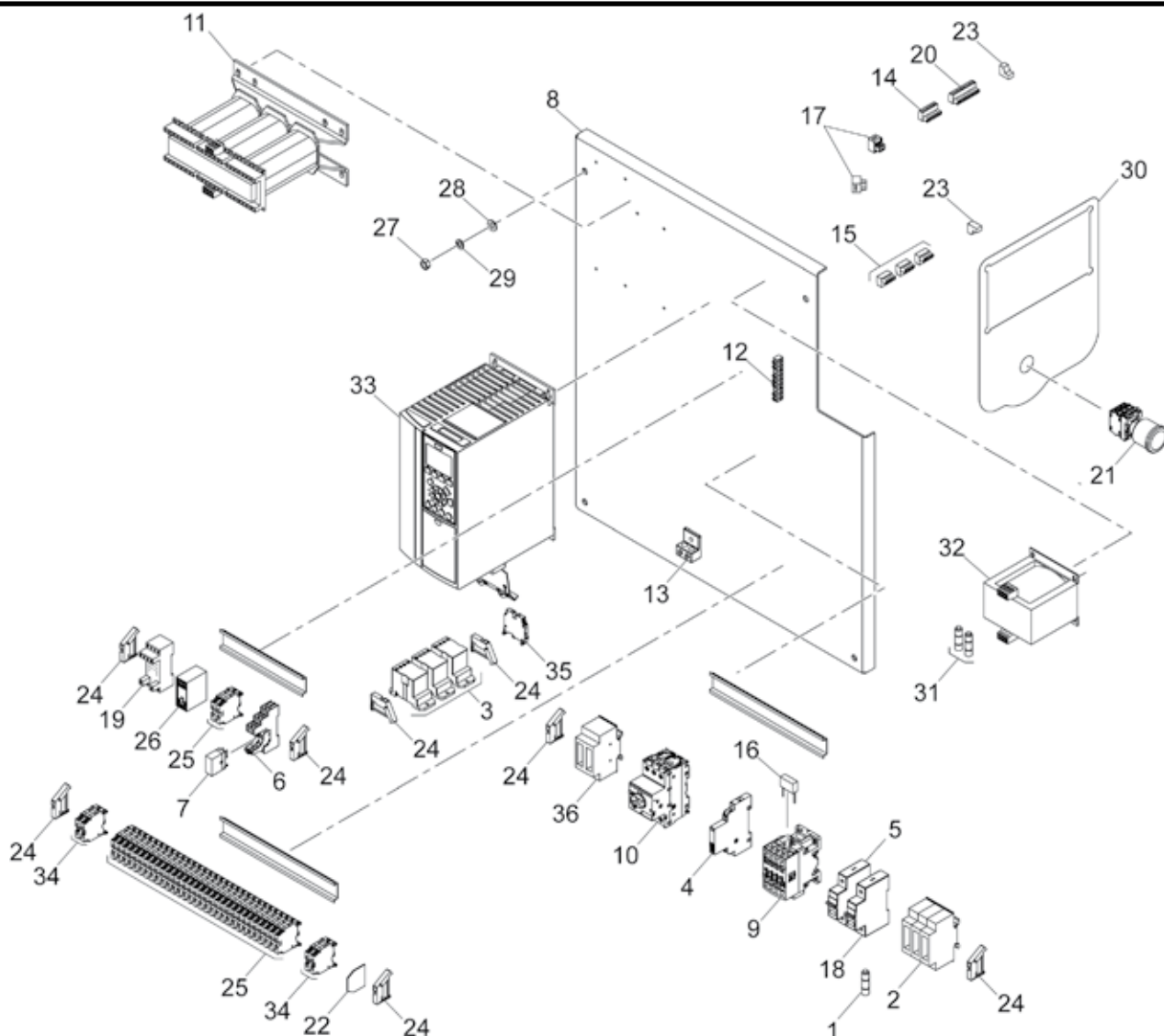
Item	Part No.	Qty	Description	Item	Part No.	Qty	Description
	47535915001	1	BACKPANEL - 15 hp, 208V, 60 Hz, VSD	17	47499669	1	BASE, RELAY
1	22269682	2	FUSE, TIME DELAY	18	47499689001	1	SWITCH, EMERGENCY STOP
2	23056328	3	BLOCK, POWER 1-POLE	19	47500509	1	CONNECTOR
3	23712301	1	BLOCK, AUX CONTACT	20	54612940	1	TERMINAL, END PLATE
4	24329161	1	SOCKET, RELAY	21	54729546	2	CONNECTOR, 2 WAY
5	24521965	1	RELAY, PLUG-IN	22	89205397	8	TERMINAL, END STOP
6	23770514	1	BREAKER, MINI-CIRCUIT 3A	23	93469625	33	TERMINAL, 35A
7	24185209	1	PANEL, STARTER	24	93486470	1	RELAY
8	24469686	1	CONTACTOR, 9A	25	96701370	4	NUT, M8-1.25
9	24592586	1	BREAKER, MOTOR 0.63-1.0A	26	96704671	4	FLATWASHER
10	32342115	1	BUS, GROUND	27	96741467	4	LOCKWASHER
11	49089089	1	LUG, GROUND	28	47500205001	1	DECAL, FACIA Xe-70
12	39186093	1	PLUG, 6 POSITION	29	47518259001	1	TRANSFORMER
13	39186101	3	PLUG, 4 POSITION	30	47535919001	1	DRIVE, VSD
14	39203443	1	SUPPRESSOR, ARC	31	93469633	4	TERMINAL, EARTH
15	39242367	2	PLUG, 2 POSITION	32	48970651	1	TERMINAL, EARTH
16	47499666	1	BREAKER, MINI-CIR 1.6A	33	22505788	1	HOLDER, FUSE 2-POLE

BACKPANEL - 15 HP, 230V, 60 HZ, VSD - XE-70M



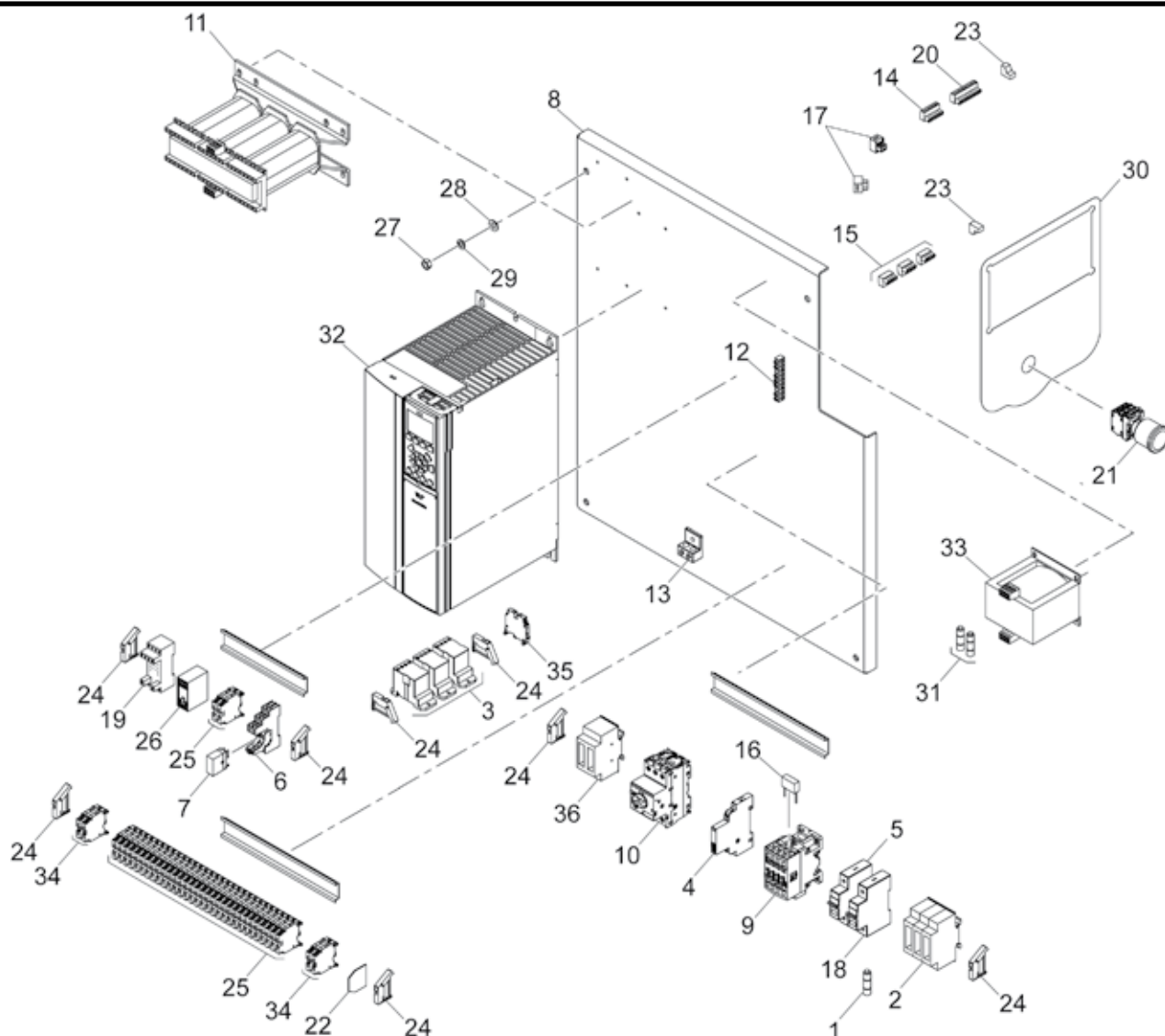
Item	Part No.	Qty	Description	Item	Part No.	Qty	Description
	47504380001	1	BACKPANEL - 15 hp, 230V, 60 Hz, VSD	17	47499669	1	BASE, RELAY
1	22269682	2	FUSE, TIME DELAY	18	47499689001	1	SWITCH, EMERGENCY STOP
2	23056328	3	BLOCK, POWER 1-POLE	19	47500509	1	CONNECTOR
3	23712301	1	BLOCK, AUX CONTACT	20	54612940	1	TERMINAL, END PLATE
4	24329161	1	SOCKET, RELAY	21	54729546	2	CONNECTOR, 2 WAY
5	24521965	1	RELAY, PLUG-IN	22	89205397	8	TERMINAL, END STOP
6	23770514	1	BREAKER, MINI-CIRCUIT 3A	23	93469625	33	TERMINAL, 35A
7	24185209	1	PANEL, STARTER	24	93486470	1	RELAY
8	24469686	1	CONTACTOR, 9A	25	96701370	4	NUT, M8-1.25
9	24592586	1	BREAKER, MOTOR 0.63-1.0A	26	96704671	4	FLATWASHER
10	32342115	1	BUS, GROUND	27	96741467	4	LOCKWASHER
11	49089089	1	LUG, GROUND	28	47500205001	1	DECAL, FACIA Xe-70
12	39186093	1	PLUG, 6 POSITION	29	47504396001	1	DRIVE, VSD
13	39186101	3	PLUG, 4 POSITION	30	47518259001	1	TRANSFORMER
14	39203443	1	SUPPRESSOR, ARC	31	93469633	4	TERMINAL, EARTH
15	39242367	2	PLUG, 2 POSITION	32	48970651	1	TERMINAL, EARTH
16	47499666	1	BREAKER, MINI-CIR 1.6A	33	22505788	1	HOLDER, FUSE 2-POLE

BACKPANEL - 7.5 HP, 575V, 60 HZ, VSD - XE-70M



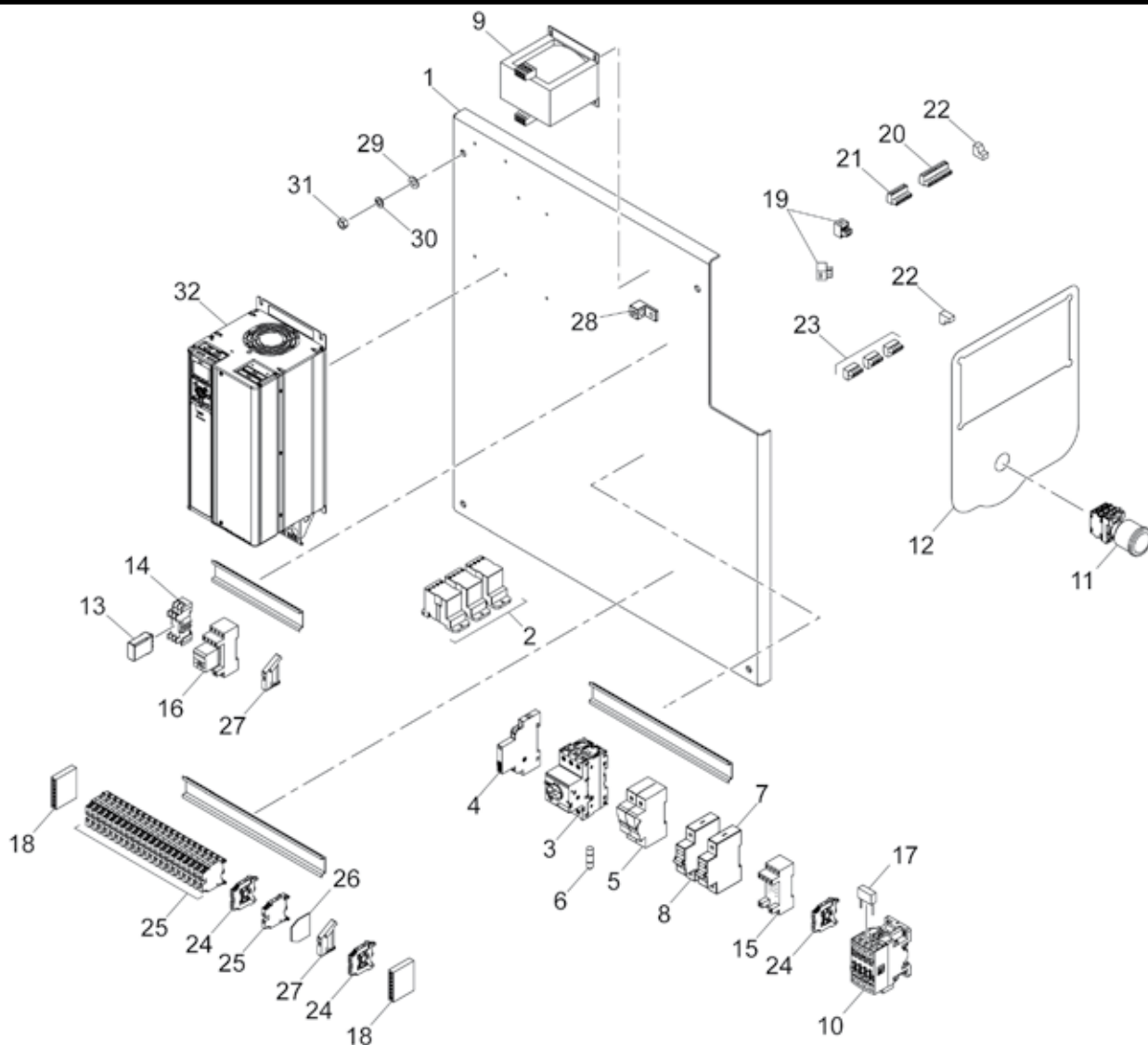
Item	Part No.	Qty	Description	Item	Part No.	Qty	Description
	47518263001	1	BACKPANEL - 7.5 hp, 575V, 60 Hz, VSD	18	47499666	1	BREAKER, MINI-CIR 1.6A
1	22269682	3	FUSE, TIME DELAY	19	47499669	1	BASE, RELAY
2	22344253	1	HOLDER, 3-POLE FUSE	20	47500509	1	CONNECTOR
3	23056328	3	BLOCK, POWER 1-POLE	21	47499689001	1	SWITCH, EMERGENCY STOP
4	23712301	1	BLOCK, AUX CONTACT	22	54612940	1	TERMINAL, END PLATE
5	23770514	1	BREAKER, MINI-CIRCUIT 3A	23	54729546	2	CONNECTOR, 2 WAY
6	24329161	1	SOCKET, RELAY	24	89205397	8	TERMINAL, END STOP
7	24521965	1	RELAY, PLUG-IN	25	93469625	33	TERMINAL, 35A
8	24185209	1	PANEL, STARTER	26	93486470	1	RELAY
9	24469686	1	CONTACTOR, 9A	27	96701370	4	NUT, M8-1.25
10	24592586	1	BREAKER, MOTOR 0.63-1.0A	28	96704671	4	FLATWASHER
11	24592594	1	TRANSFORMER	29	96741467	4	LOCKWASHER
12	32342115	1	BUS, GROUND	30	47500205001	1	DECAL, FACIA Xe-70
13	49089089	1	LUG, GROUND	31	47504387001	2	FUSE, 0.5A
14	39186093	1	PLUG, 6 POSITION	32	47518259001	1	TRANSFORMER
15	39186101	3	PLUG, 4 POSITION	33	47535917001	1	DRIVE, VSD
16	39203443	1	SUPPRESSOR, ARC	34	93469633	4	TERMINAL, EARTH
17	39242367	2	PLUG, 2 POSITION	35	48970651	1	TERMINAL, EARTH
				36	22505788	1	HOLDER, FUSE 2-POLE

BACKPANEL - 10/15 HP, 575V, 60 HZ, VSD - XE-70M



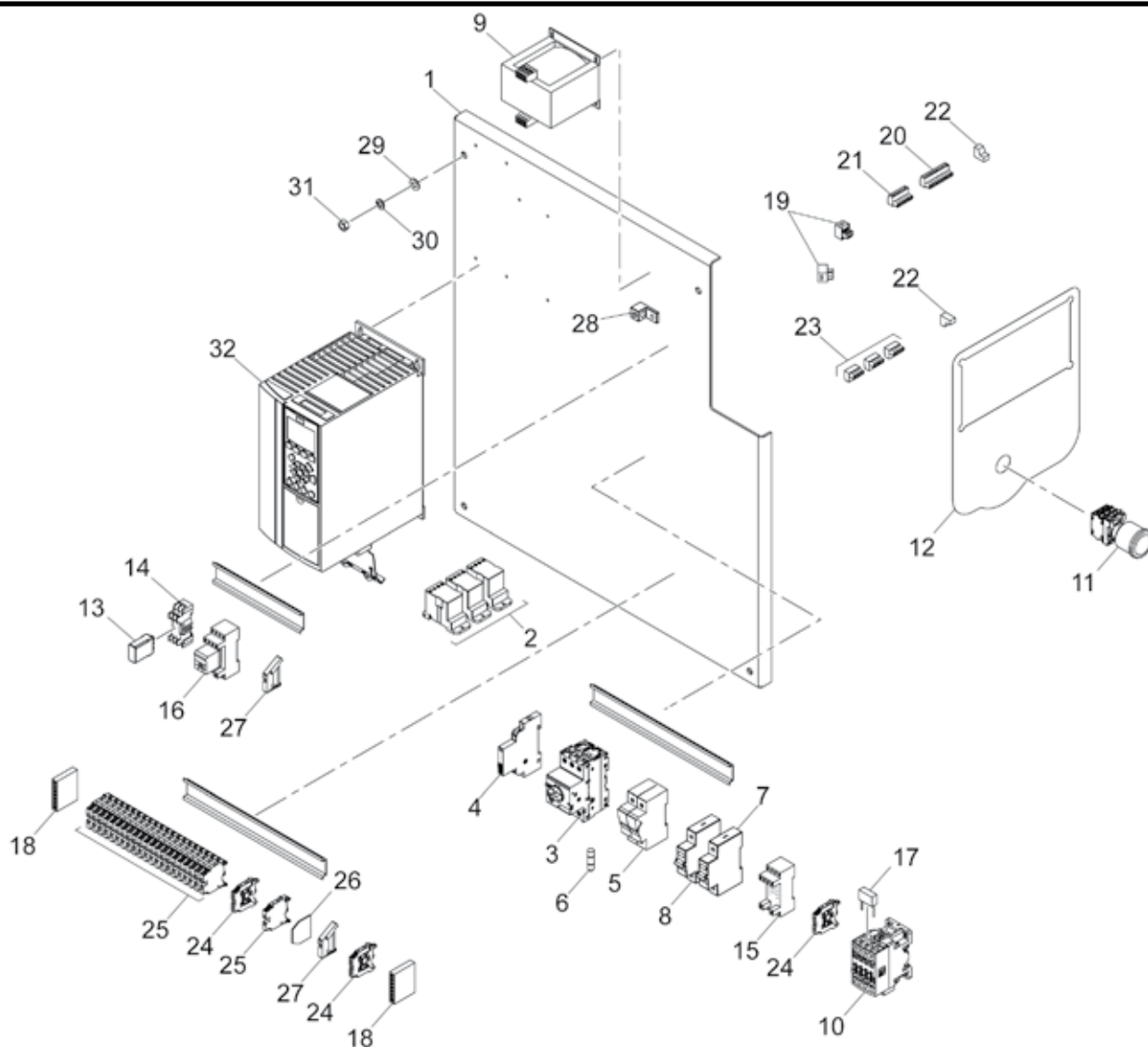
Item	Part No.	Qty	Description	Item	Part No.	Qty	Description
	47504397001	1	BACKPANEL - 10/15 hp, 575V, 60 Hz, VSD	18	47499666	1	BREAKER, MINI-CIR 1.6A
1	22269682	3	FUSE, TIME DELAY	19	47499669	1	BASE, RELAY
2	22344253	1	HOLDER, 3-POLE FUSE	20	47500509	1	CONNECTOR
3	23056328	3	BLOCK, POWER 1-POLE	21	47499689001	1	SWITCH, EMERGENCY STOP
4	23712301	1	BLOCK, AUX CONTACT	22	54612940	1	TERMINAL, END PLATE
5	23770514	1	BREAKER, MINI-CIRCUIT 3A	23	54729546	2	CONNECTOR, 2 WAY
6	24329161	1	SOCKET, RELAY	24	89205397	8	TERMINAL, END STOP
7	24521965	1	RELAY, PLUG-IN	25	93469625	33	TERMINAL, 35A
8	24185209	1	PANEL, STARTER	26	93486470	1	RELAY
9	24469686	1	CONTACTOR, 9A	27	96701370	4	NUT, M8-1.25
10	24592586	1	BREAKER, MOTOR 0.63-1.0A	28	96704671	4	FLATWASHER
11	24592594	1	TRANSFORMER	29	96741467	4	LOCKWASHER
12	32342115	1	BUS, GROUND	30	47500205001	1	DECAL, FACIA Xe-70
13	49089089	1	LUG, GROUND	31	47504387001	2	FUSE, 0.5A
14	39186093	1	PLUG, 6 POSITION	32	47504398001	1	DRIVE, VSD
15	39186101	3	PLUG, 4 POSITION	33	47518259001	1	TRANSFORMER
16	39203443	1	SUPPRESSOR, ARC	34	93469633	4	TERMINAL, EARTH
17	39242367	2	PLUG, 2 POSITION	35	48970651	1	TERMINAL, EARTH
				36	22505788	1	HOLDER, FUSE 2-POLE

BACKPANEL - 7.5 HP, 380/440V, 60 HZ, VSD - XE-70M



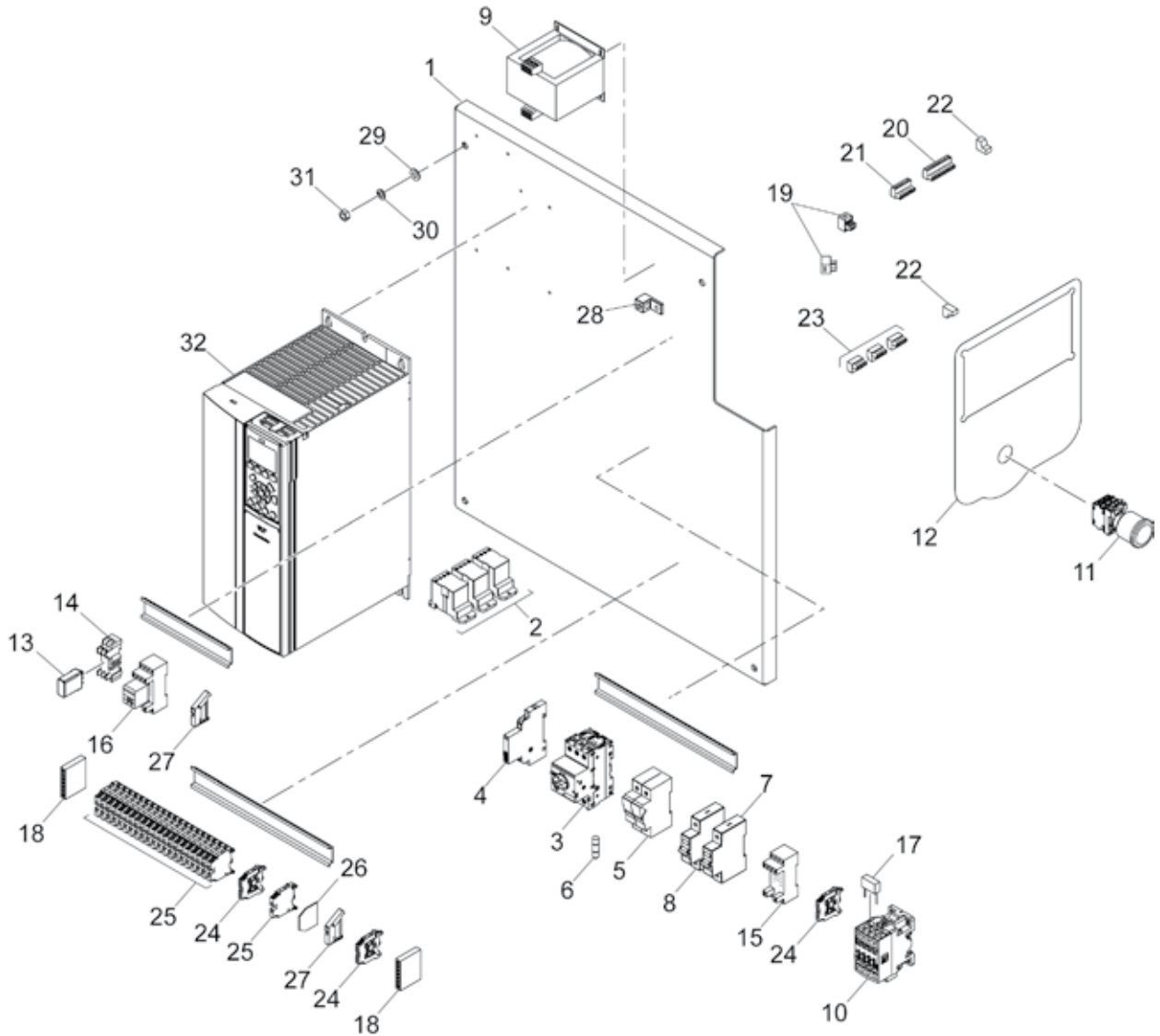
Item	Part No.	Qty	Description	Item	Part No.	Qty	Description
	47526214001	1	BACKPANEL 7.5 hp, 380/440V, 60 Hz, VSD	17	39203443	1	SUPPRESSOR, ARC
1	24185209	1	PANEL, STARTER	18	32342115	2	BUS, GROUND
2	23056328	3	BLOCK, POWER	19	39242367	2	PLUG, 2 POSITION
3	24592560	1	BREAKER, MOTOR 0.4-0.63A	20	47500509	1	CONNECTOR
4	23712301	1	BLOCK, AUX CONTACT	21	39186093	1	PLUG, 6 POSITION
5	22505788	1	HOLDER, FUSE 2-POLE	22	54729546	2	CONNECTOR, 2 WAY
6	47504387001	2	FUSE, 0.5A	23	39186101	3	PLUG, 4 POSITION
7	47499666	1	BREAKER, MINI-CIR 1.6A	24	93469633	3	TERMINAL, EARTH
8	23770514	1	BREAKER, MINI-CIRCUIT 3A	25	93469625	30	TERMINAL, 35A
9	47526206001	1	TRANSFORMER	26	54612940	1	TERMINAL, END PLATE
10	24469686	1	CONTACTOR, 9A	27	89205397	2	TERMINAL, END STOP
11	47499689001	1	SWITCH, EMERGENCY STOP	28	32342123	1	LUG, POWER GROUND
12	47500205001	1	DECAL, FACIA Xe-70	29	96704671	4	FLATWASHER
13	24521965	1	RELAY, PLUG-IN	30	96741467	4	LOCKWASHER
14	24329161	1	SOCKET, RELAY	31	96701370	4	NUT, M8-1.25
15	47499669	1	BASE, RELAY	32	47503744001	1	DRIVE, VSD - 440 V
16	93486470	1	RELAY				

BACKPANEL - 10/15 HP, 380/440V, 60 HZ, VSD - XE-70M



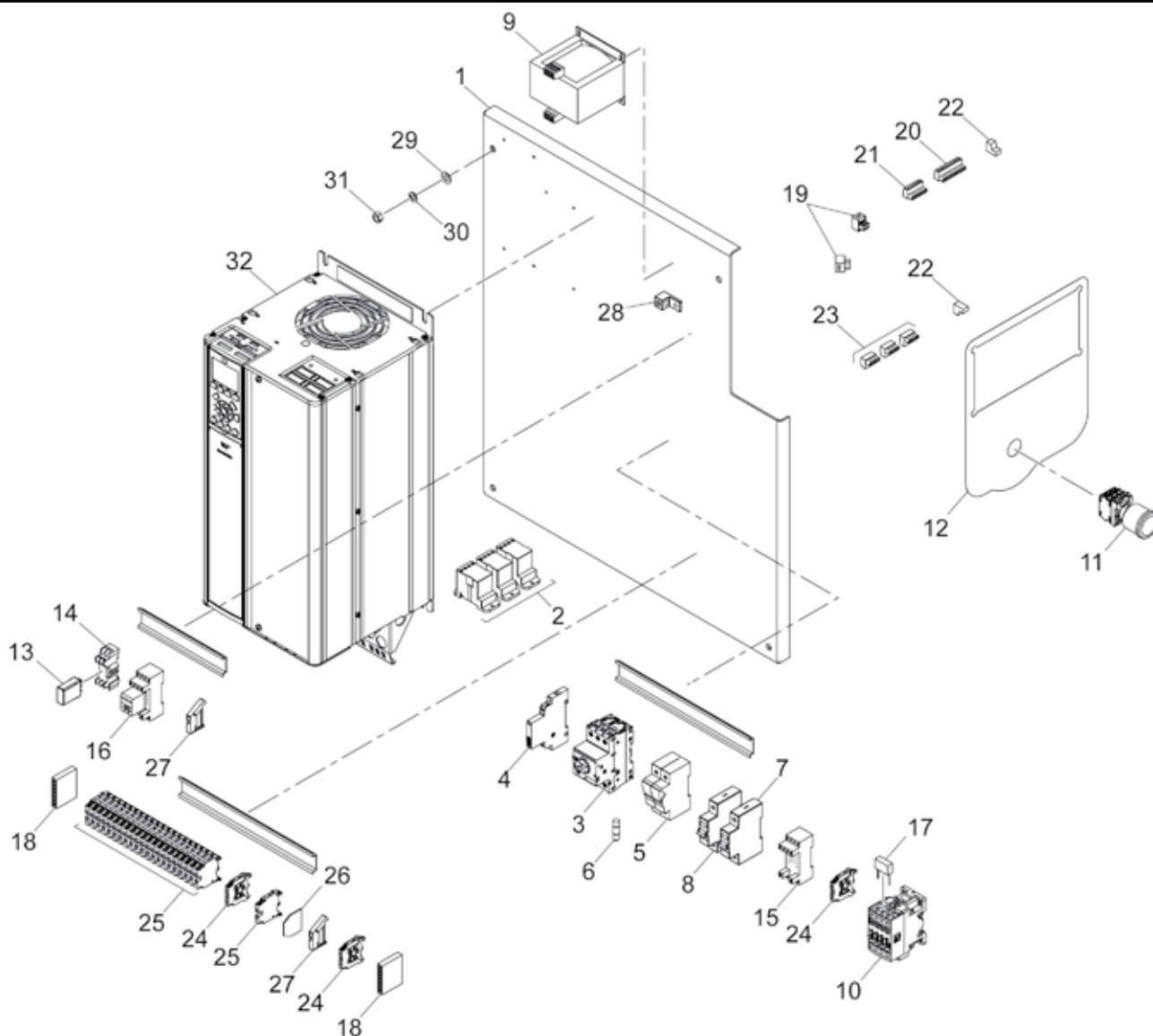
Item	Part No.	Qty	Description	Item	Part No.	Qty	Description
	47526215001	1	BACKPANEL - 10/15 hp, 380/440V, 60 Hz, VSD	16	93486470	1	RELAY
1	24185209	1	PANEL, STARTER	17	39203443	1	SUPPRESSOR, ARC
2	23056328	3	BLOCK, POWER	18	32342115	2	BUS, GROUND
3	24592560	1	BREAKER, MOTOR 0.4-0.63A	19	39242367	2	PLUG, 2 POSITION
4	23712301	1	BLOCK, AUX CONTACT	20	47500509	1	CONNECTOR
5	22505788	1	HOLDER, FUSE 2-POLE	21	39186093	1	PLUG, 6 POSITION
6	47504387001	2	FUSE, 0.5A	22	54729546	2	CONNECTOR, 2 WAY
7	47499666	1	BREAKER, MINI-CIR 1.6A	23	39186101	3	PLUG, 4 POSITION
8	23770514	1	BREAKER, MINI-CIRCUIT 3A	24	93469633	3	TERMINAL, EARTH
9	47526206001	1	TRANSFORMER	25	93469625	30	TERMINAL, 35A
10	24469686	1	CONTACTOR, 9A	26	54612940	1	TERMINAL, END PLATE
11	47499689001	1	SWITCH, EMERGENCY STOP	27	89205397	2	TERMINAL, END STOP
12	47500205001	1	DECAL, FACIA Xe-70	28	32342123	1	LUG, POWER GROUND
13	24521965	1	RELAY, PLUG-IN	29	96704671	4	FLATWASHER
14	24329161	1	SOCKET, RELAY	30	96741467	4	LOCKWASHER
15	47499669	1	BASE, RELAY	31	96701370	4	NUT, M8-1.25
				32	47503743001	1	DRIVE, VSD

BACKPANEL - 7.5/10 HP, 220V, 60 HZ, VSD - XE-70M



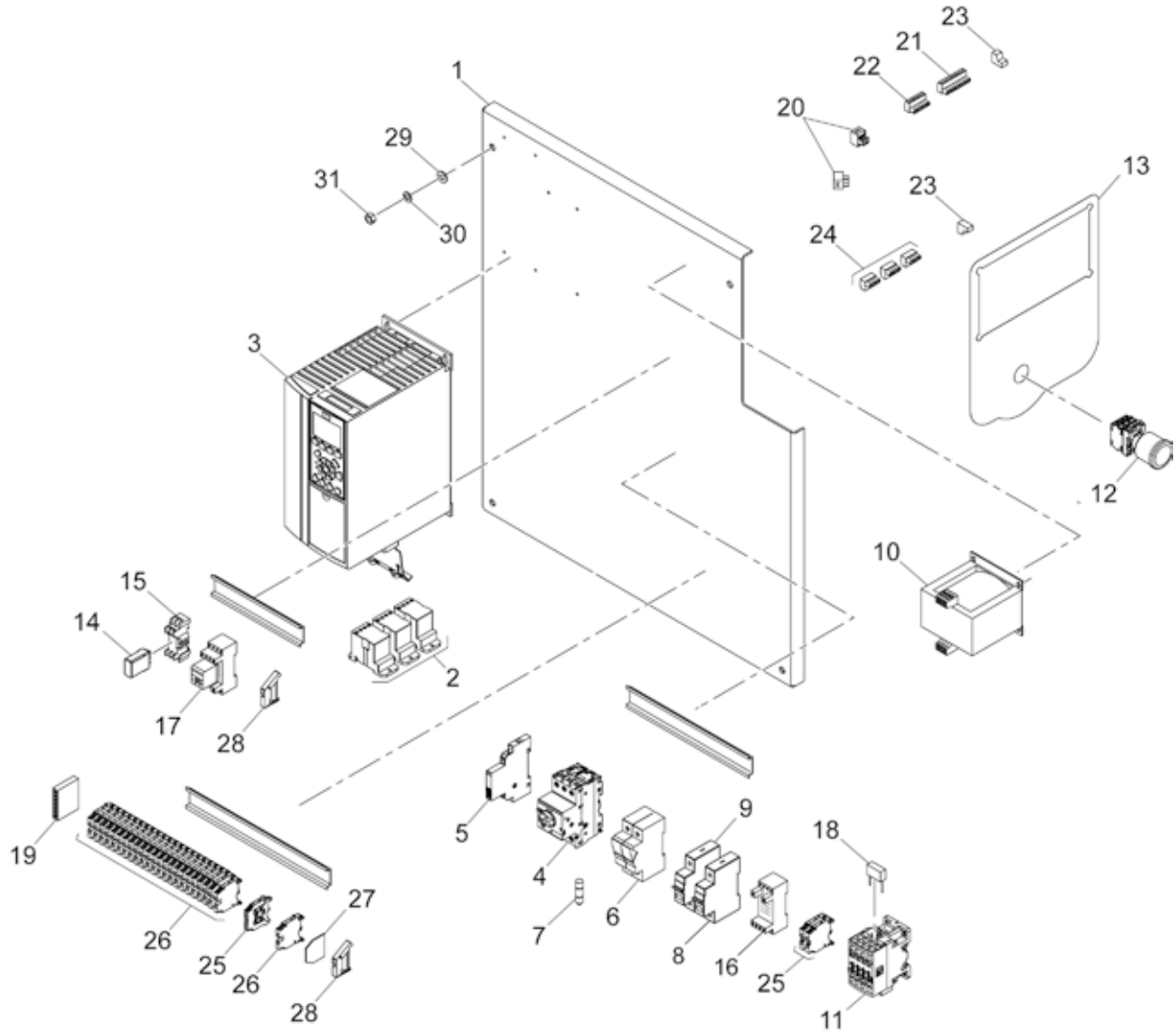
Item	Part No.	Qty	Description	Item	Part No.	Qty	Description
	47526213001	1	BACKPANEL - 7.5/10 hp, 220V, 60 Hz, VSD	17	39203443	1	SUPPRESSOR, ARC
1	24185209	1	PANEL, STARTER	18	32342115	2	BUS, GROUND
2	23056328	3	BLOCK, POWER	19	39242367	2	PLUG, 2 POSITION
3	24592586	1	BREAKER, MOTOR 0.63-1.0A	20	47500509	1	CONNECTOR
4	23712301	1	BLOCK, AUX CONTACT	21	39186093	1	PLUG, 6 POSITION
5	22505788	1	HOLDER, FUSE 2-POLE	22	54729546	2	CONNECTOR, 2 WAY
6	22269682	2	FUSE, TIME DELAY	23	39186101	3	PLUG, 4 POSITION
7	47499666	1	BREAKER, MINI-CIR 1.6A	24	93469633	3	TERMINAL, EARTH
8	23770514	1	BREAKER, MINI-CIRCUIT 3A	25	93469625	30	TERMINAL, 35A
9	47526206001	1	TRANSFORMER	26	54612940	1	TERMINAL, END PLATE
10	24469686	1	CONTACTOR, 9A	27	89205397	2	TERMINAL, END STOP
11	47499689001	1	SWITCH, EMERGENCY STOP	28	32342123	1	LUG, POWER GROUND
12	47500205001	1	DECAL, FACIA Xe-70	29	96704671	4	FLATWASHER
13	24521965	1	RELAY, PLUG-IN	30	96741467	4	LOCKWASHER
14	24329161	1	SOCKET, RELAY	31	96701370	4	NUT, M8-1.25
15	47499669	1	BASE, RELAY	32	47503742001	1	DRIVE, VSD - 7.5 hp
16	93486470	1	RELAY		47503741001	1	DRIVE, VSD - 10 hp

BACKPANEL - 15 HP, 220V, 60 HZ, VSD - XE-70M



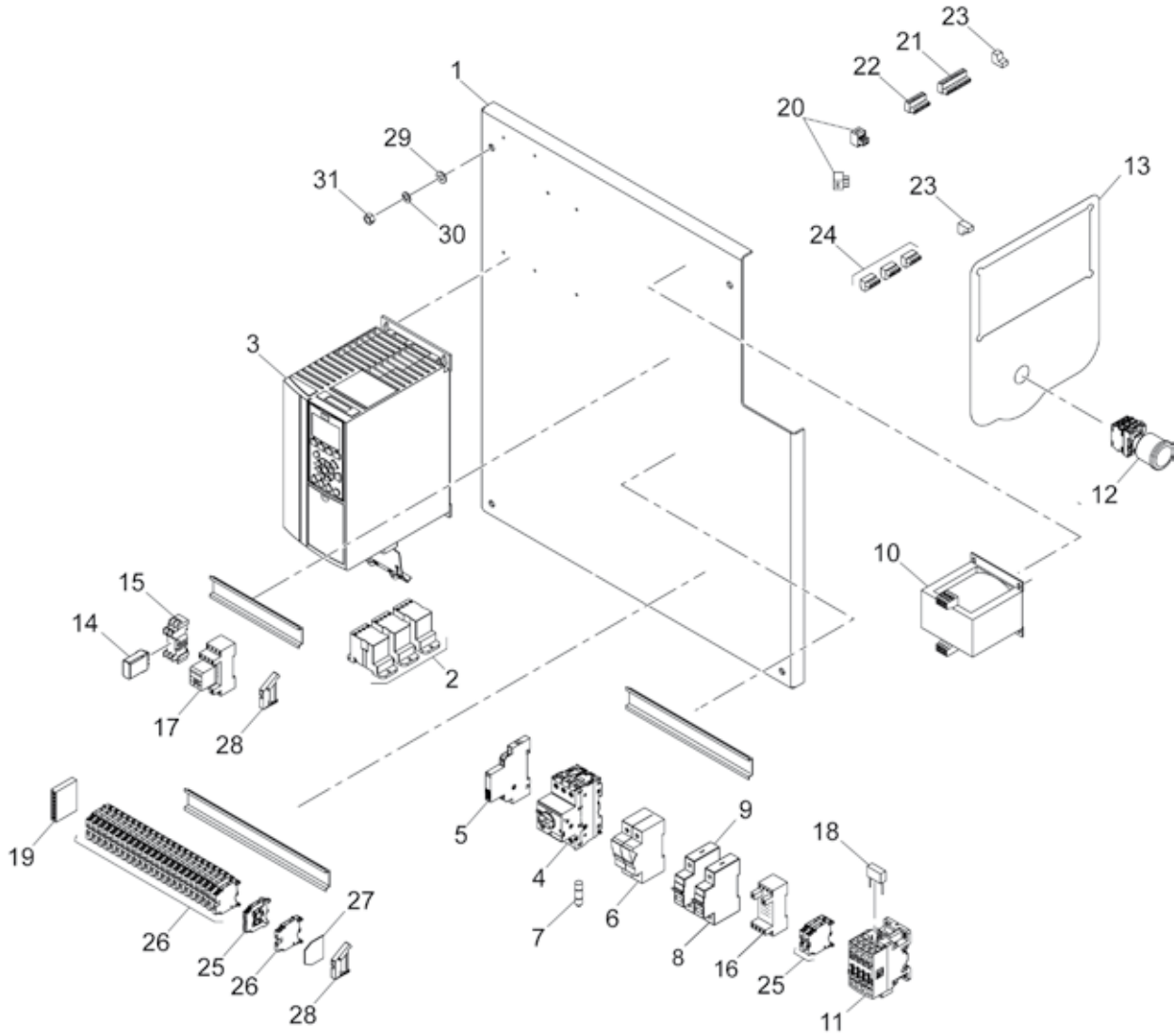
Item	Part No.	Qty	Description	Item	Part No.	Qty	Description
	47526216001	1	BACKPANEL - 15 hp, 220V, 60 Hz, VSD	16	93486470	1	RELAY
1	24185209	1	PANEL, STARTER	17	39203443	1	SUPPRESSOR, ARC
2	23056328	3	BLOCK, POWER 1-POLE	18	32342115	2	BUS, GROUND
3	24592586	1	BREAKER, MOTOR 0.63-1.0A	19	39242367	2	PLUG, 2 POSITION
4	23712301	1	BLOCK, AUX CONTACT	20	47500509	1	CONNECTOR
5	22505788	1	HOLDER, FUSE 2-POLE	21	39186093	1	PLUG, 6 POSITION
6	22269682	2	FUSE, TIME DELAY	22	54729546	2	CONNECTOR, 2 WAY
7	47499666	1	BREAKER, MINI-CIR 1.6A	23	39186101	3	PLUG, 4 POSITION
8	23770514	1	BREAKER, MINI-CIRCUIT 3A	24	93469633	3	TERMINAL, EARTH
9	47526206001	1	TRANSFORMER	25	93469625	30	TERMINAL, 35A
10	24469686	1	CONTACTOR, 9A	26	54612940	1	TERMINAL, END PLATE
11	47499689001	1	SWITCH, EMERGENCY STOP	27	89205397	2	TERMINAL, END STOP
12	47500205001	1	DECAL, FACIA Xe-70	28	32342123	1	LUG, POWER GROUND
13	24521965	1	RELAY, PLUG-IN	29	96704671	4	FLATWASHER
14	24329161	1	SOCKET, RELAY	30	96741467	4	LOCKWASHER
15	47499669	1	BASE, RELAY	31	96701370	4	NUT, M8-1.25
				32	47504396001	1	DRIVE, VSD

BACKPANEL - 7.5 KW, 230V, 50/60 HZ, VSD NON RFI - XE-70M



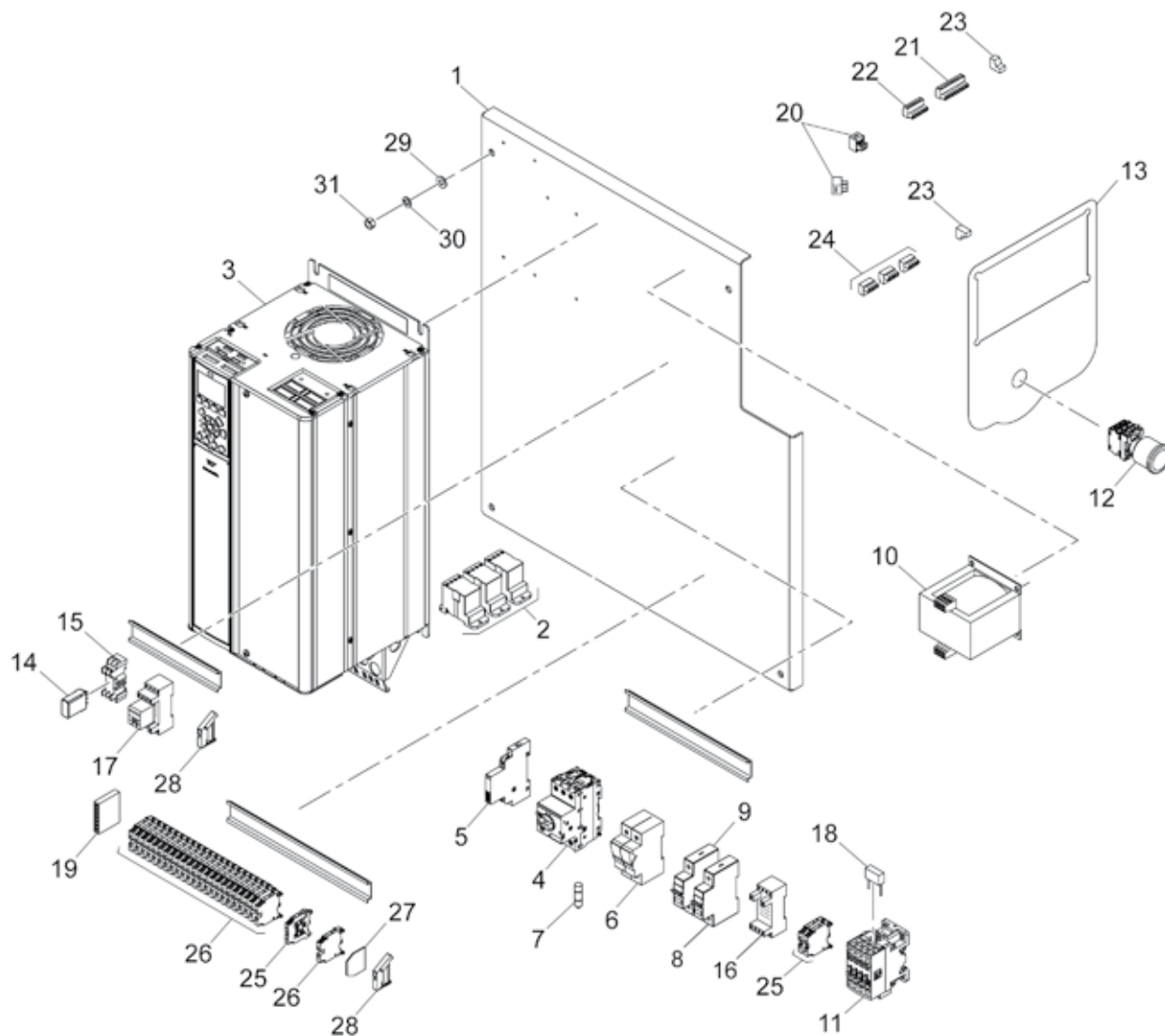
Item	Part No.	Qty	Description	Item	Part No.	Qty	Description
	47521090001	1	BACKPANEL 7.5 kW, 230V, 50/60 Hz, VSD NON RFI	16	47499669	1	BASE, RELAY
1	24185209	1	PANEL, STARTER	17	93486470	1	RELAY
2	23056328	3	BLOCK, POWER 1-POL	18	39203443	1	SUPPRESSOR, ARC
3	47503741001	1	DRIVE, VSD	19	23526478	1	BUS, GROUND
4	24592586	1	BREAKER, MOTOR 0.63-1.0A	20	39242367	2	PLUG, 2 POSITION
5	23712301	1	BLOCK, AUX CONTACT	21	47500509	1	CONNECTOR
6	24141962	1	HOLDER, FUSE 2-POLE 1	22	39186093	1	PLUG, 6 POSITION
7	47521061001	2	FUSE, 1A	23	54729546	2	CONNECTOR, 2 WAY
8	47499666	1	BREAKER, MINI-CIR 1.6A	24	39186101	3	PLUG, 4 POSITION
9	23770514	1	BREAKER, MINI-CIRCUIT 3A	25	93469633	3	TERMINAL, EARTH
10	47521062001	1	TRANSFORMER	26	93469625	24	TERMINAL, 35A
11	24469686	1	CONTACTOR, 9A	27	54612940	1	TERMINAL, END PLATE
12	47499689001	1	SWITCH, EMERGENCY STOP	28	89205397	2	TERMINAL, END STOP
13	47500205001	1	DECAL, FACIA Xe-70	29	96704671	4	FLATWASHER
14	24521965	1	RELAY, PLUG-IN	30	96741467	4	LOCKWASHER
15	24329161	1	SOCKET, RELAY	31	96701370	4	NUT, M8-1.25

BACKPANEL - 5.5 KW, 230V, 50/60 HZ, VSD NON RFI - XE-70M



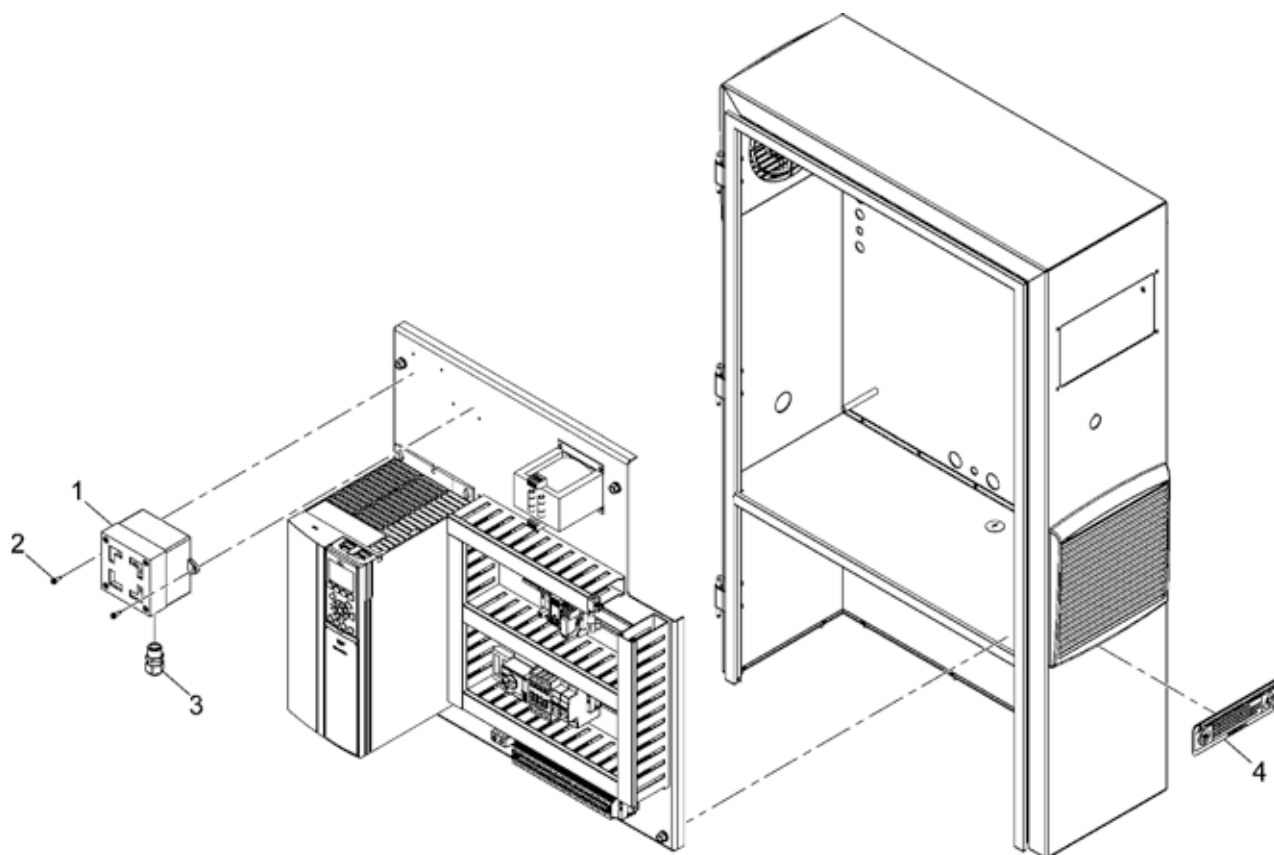
Item	Part No.	Qty	Description	Item	Part No.	Qty	Description
	47521087001	1	BACKPANEL - 5.5 kW, 230V, 50/60 Hz, VSD, NON RFI	16	47499669	1	BASE, RELAY
1	24185209	1	PANEL, STARTER	17	93486470	1	RELAY
2	23056328	3	BLOCK, POWER	18	39203443	1	SUPPRESSOR, ARC
3	47503742001	1	DRIVE, VSD	19	23526478	1	BUS, GROUND
4	24592586	1	BREAKER, MOTOR 0.63-1.0A	20	39242367	2	PLUG, 2 POSITION
5	23712301	1	BLOCK, AUX CONTACT	21	47500509	1	CONNECTOR
6	24141962	1	HOLDER, FUSE 2-POLE	22	39186093	1	PLUG, 6 POSITION
7	47521061001	2	FUSE, 1A	23	54729546	2	CONNECTOR, 2 WAY
8	47499666	1	BREAKER, MINI-CIR 1.6A	24	39186101	3	PLUG, 4 POSITION
9	23770514	1	BREAKER, MINI-CIRCUIT 3A	25	93469633	3	TERMINAL, EARTH
10	47521062001	1	TRANSFORMER	26	93469625	24	TERMINAL, 35A
11	24469686	1	CONTACTOR, 9A	27	54612940	1	TERMINAL, END PLATE
12	47499689001	1	SWITCH, EMERGENCY STOP	28	89205397	2	TERMINAL, END STOP
13	47500205001	1	DECAL, FACIA Xe-70	29	96704671	4	FLATWASHER
14	24521965	1	RELAY, PLUG-IN	30	96741467	4	LOCKWASHER
15	24329161	1	SOCKET, RELAY	31	96701370	4	NUT, M8-1.25

BACKPANEL - 11 KW, 230V, 50/60 HZ, VSD NON RFI - XE-70M



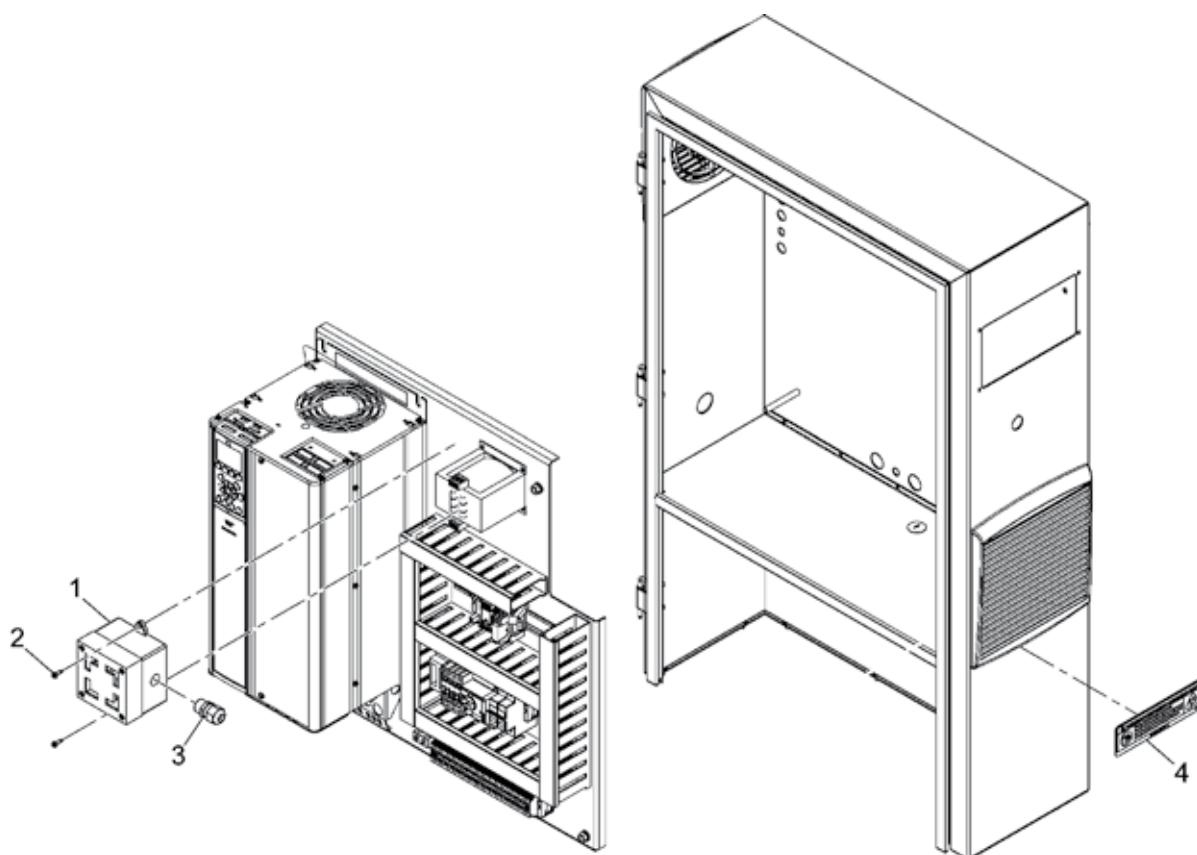
Item	Part No.	Qty	Description	Item	Part No.	Qty	Description
	47521092001	1	BACKPANEL - 11 kW, 230V, 50/60 Hz, VSD, NON RFI	16	47499669	1	BASE, RELAY
1	24185209	1	PANEL, STARTER	17	93486470	1	RELAY
2	23056328	3	BLOCK, POWER	18	39203443	1	SUPPRESSOR, ARC
3	47504396001	1	DRIVE, VSD	19	23526478	1	BUS, GROUND
4	24592586	1	BREAKER, MOTOR 0.63-1.0A	20	39242367	2	PLUG, 2 POSITION
5	23712301	1	BLOCK, AUX CONTACT	21	47500509	1	CONNECTOR
6	24141962	1	HOLDER, FUSE 2-POLE	22	39186093	1	PLUG, 6 POSITION
7	47521061001	2	FUSE, 1A	23	54729546	2	CONNECTOR, 2 WAY
8	47499666	1	BREAKER, MINI-CIR 1.6A	24	39186101	3	PLUG, 4 POSITION
9	23770514	1	BREAKER, MINI-CIRCUIT 3A	25	93469633	3	TERMINAL, EARTH
10	47521062001	1	TRANSFORMER	26	93469625	24	TERMINAL, 35A
11	24469686	1	CONTACTOR, 9A	27	54612940	1	TERMINAL, END PLATE
12	47499689001	1	SWITCH, EMERGENCY STOP	28	89205397	2	TERMINAL, END STOP
13	47500205001	1	DECAL, FACIA Xe-70	29	96704671	4	FLATWASHER
14	24521965	1	RELAY, PLUG-IN	30	96741467	4	LOCKWASHER
15	24329161	1	SOCKET, RELAY FINGER	31	96701370	4	NUT, M8-1.25

**PORO OPTION - VARIABLE SPEED - SMALL DRIVE
ASSEMBLY DRAWING AND PARTS LIST**



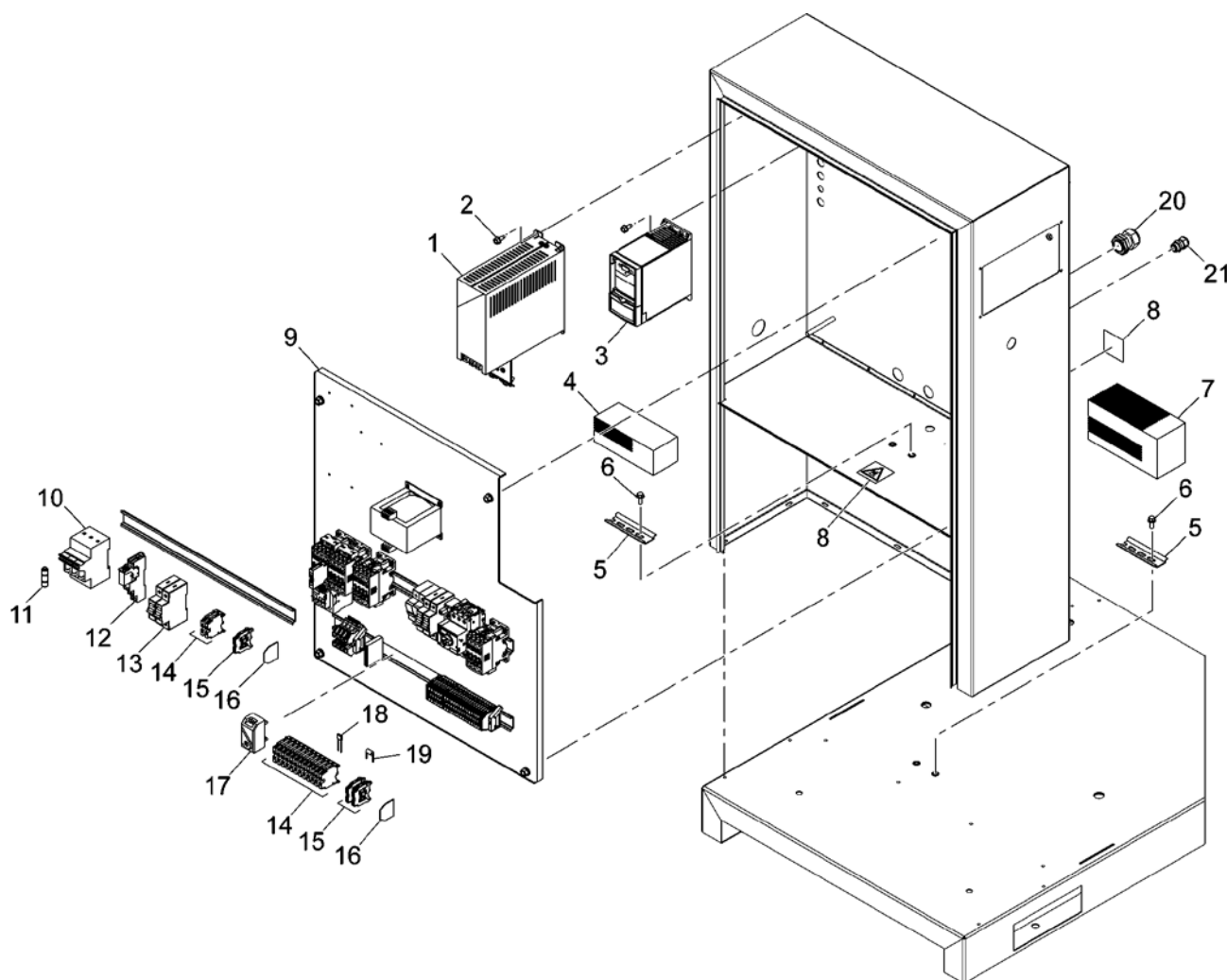
Item	Part No.	Qty	Description	Item	Part No.	Qty	Description
1	39100136	1	MOD ALARM HORN W/ WEATHER RESISTANT BACK BOX	**	39129085	A/R	WIRE, 16 GA
2	35249721	2	SCREW	A/R	AS REQUIRED		
3	39265640	1	CONNECTOR, RELIEF	**	NOT ILLUSTRATED		
4	23550171	1	DECAL, PORO				

**PORO OPTION - VARIABLE SPEED - LARGE DRIVE
ASSEMBLY DRAWING AND PARTS LIST**



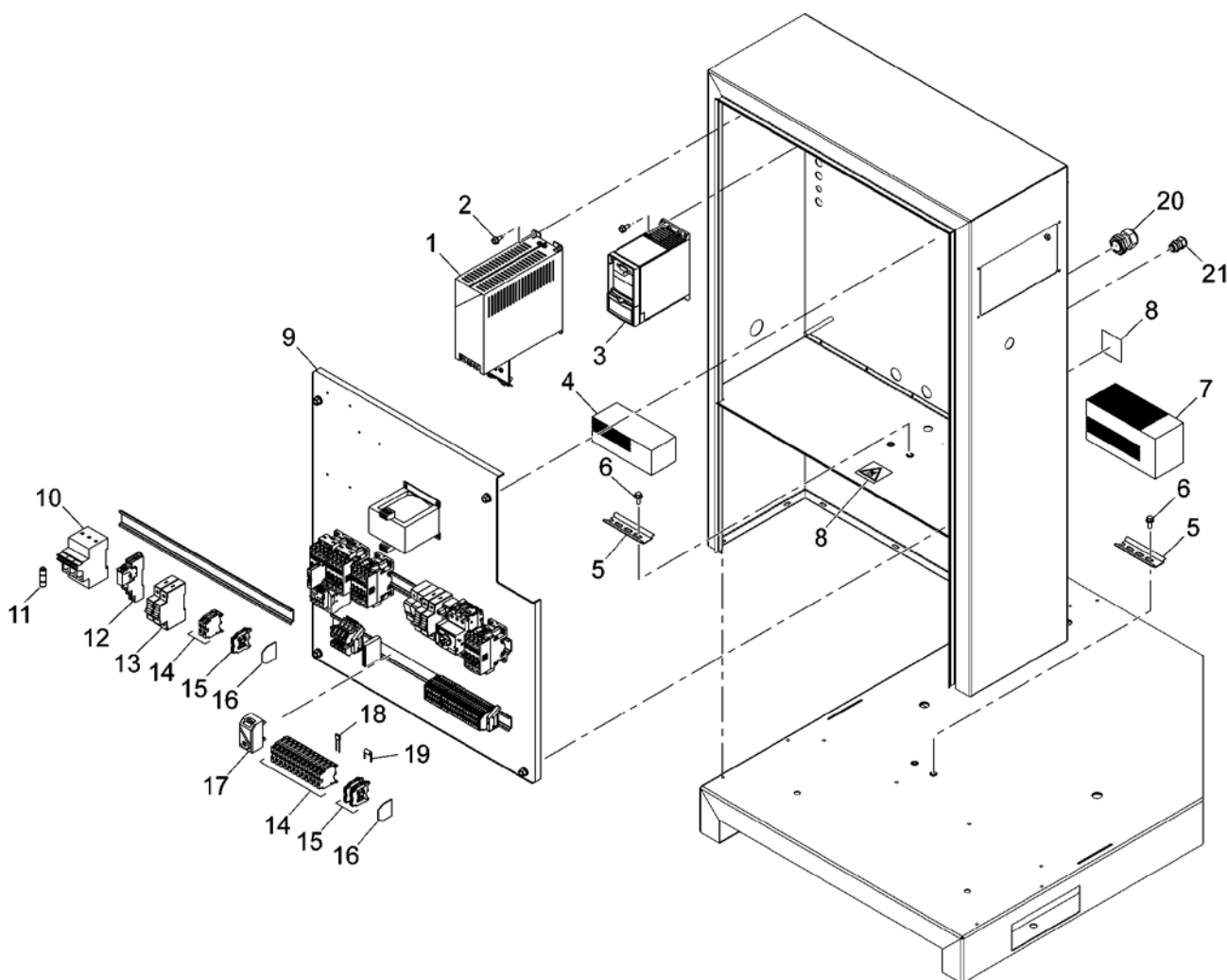
Item	Part No.	Qty	Description	Item	Part No.	Qty	Description
1	39100136	1	MOD ALARM HORN W/ WEATHER RESISTANT BACK BOX	**	39129085	A/R	WIRE, 16 GA
2	35249721	2	SCREW	A/R	AS REQUIRED		
3	39265640	1	CONNECTOR, RELIEF	**	NOT ILLUSTRATED		
4	23550171	1	DECAL, PORO				

FROST PROTECTION -10 °C, 230V (OPTION) ASSEMBLY DRAWING AND PARTS LIST



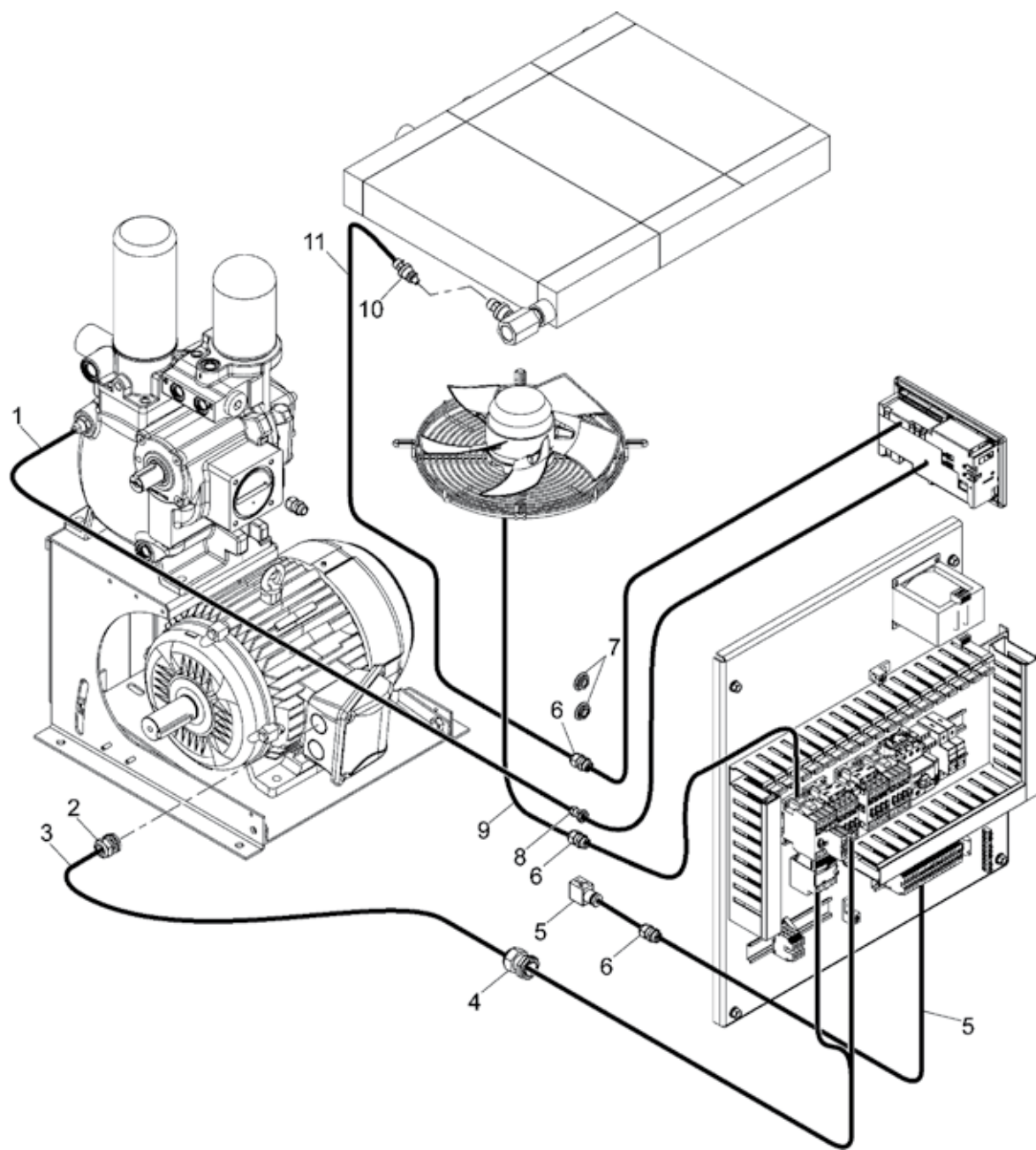
Item	Part No.	Qty	Description	Item	Part No.	Qty	Description
1	47547406001	1	FILTER, VSD - 230V	12	24224412	1	RELAY
2	96751722	7	SCREW, M4 x 10	13	47535925001	1	BREAKER, CIRCUIT 3A
3	47547404001	1	DRIVE, VSD FAN	14	93469625	14	TERMINAL, 35A
4	92905710	1	HEATER, 50W - 110-240V 50/60 Hz	15	93469633	3	TERMINAL, EARTH
5	47551098001	2	RAIL, DIN	16	54612940	2	TERMINAL, END PLATE
6	96742689	4	SCREW, M6-1 x 16	17	54766928	1	THERMOSTAT
7	47532863001	1	HEATER, 50W - 110-240V 50/60 Hz	18	23668833	1	CAPACITOR
8	92867530	2	DECAL, HOT SURFACE - ISO	19	23668858	1	DIODE
9	47521080001	1	BACKPANEL - 5.5 kW, 230V, 50/60 Hz, S/D	20	22501720	1	GLAND, CABLE
	47521082001	1	BACKPANEL - 7.5 kW, 230V, 50/60 Hz, S/D	21	23635816	1	GLAND, CABLE
	47521084001	1	BACKPANEL - 11 kW, 230V, 50/60 Hz, S/D	**	24468308	2	BLOCK, AUX. CONTACT
10	23666373	1	HOLDER, FUSE	**	24167017	A/R	WIRE, BLACK
11	24143489	3	FUSE, 20A	**	24167645	A/R	WIRE, RED
				**	67747576	A/R	WIRE, MULTICONDUCTOR
				A/R	AS REQUIRED		
				**	NOT ILLUSTRATED		

FROST PROTECTION -10 °C, 400V (OPTION) ASSEMBLY DRAWING AND PARTS LIST



Item	Part No.	Qty	Description	Item	Part No.	Qty	Description
1	47547405001	1	FILTER, VSD - 230V	12	24224412	1	RELAY
2	96751722	7	SCREW, M4 x 10	13	47535925001	1	BREAKER, CIRCUIT 3A
3	47547403001	1	DRIVE, VSD FAN	14	93469625	14	TERMINAL, 35A
4	92905710	1	HEATER, 50W - 110-240V 50/60 Hz	15	93469633	3	TERMINAL, EARTH
5	47551098001	2	RAIL, DIN	16	54612940	2	TERMINAL, END PLATE
6	96742689	4	SCREW, M6-1 x 16	17	54766928	1	THERMOSTAT
7	47532863001	1	HEATER, 50W - 110-240V 50/60 Hz	18	23668833	1	CAPACITOR
8	92867530	2	DECAL, HOT SURFACE - ISO	19	23668858	1	DIODE
9	47499685001	1	BACKPANEL - 5.5 kW, 400V, 50/60 Hz, S/D	20	22501720	1	GLAND, CABLE
	47499686001	1	BACKPANEL - 7.5 kW, 400V, 50/60 Hz, S/D	21	23635816	1	GLAND, CABLE
	47499687001	1	BACKPANEL - 11 kW, 400V, 50/60 Hz, S/D	**	24468308	2	BLOCK, AUX. CONTACT
10	23666373	1	HOLDER, FUSE	**	24167017	A/R	WIRE, BLACK
11	47547745001	3	FUSE, 10A	**	24167645	A/R	WIRE, RED
				**	67747576	A/R	WIRE, MULTICONDUCTOR
				A/R	AS REQUIRED		
				**	NOT ILLUSTRATED		

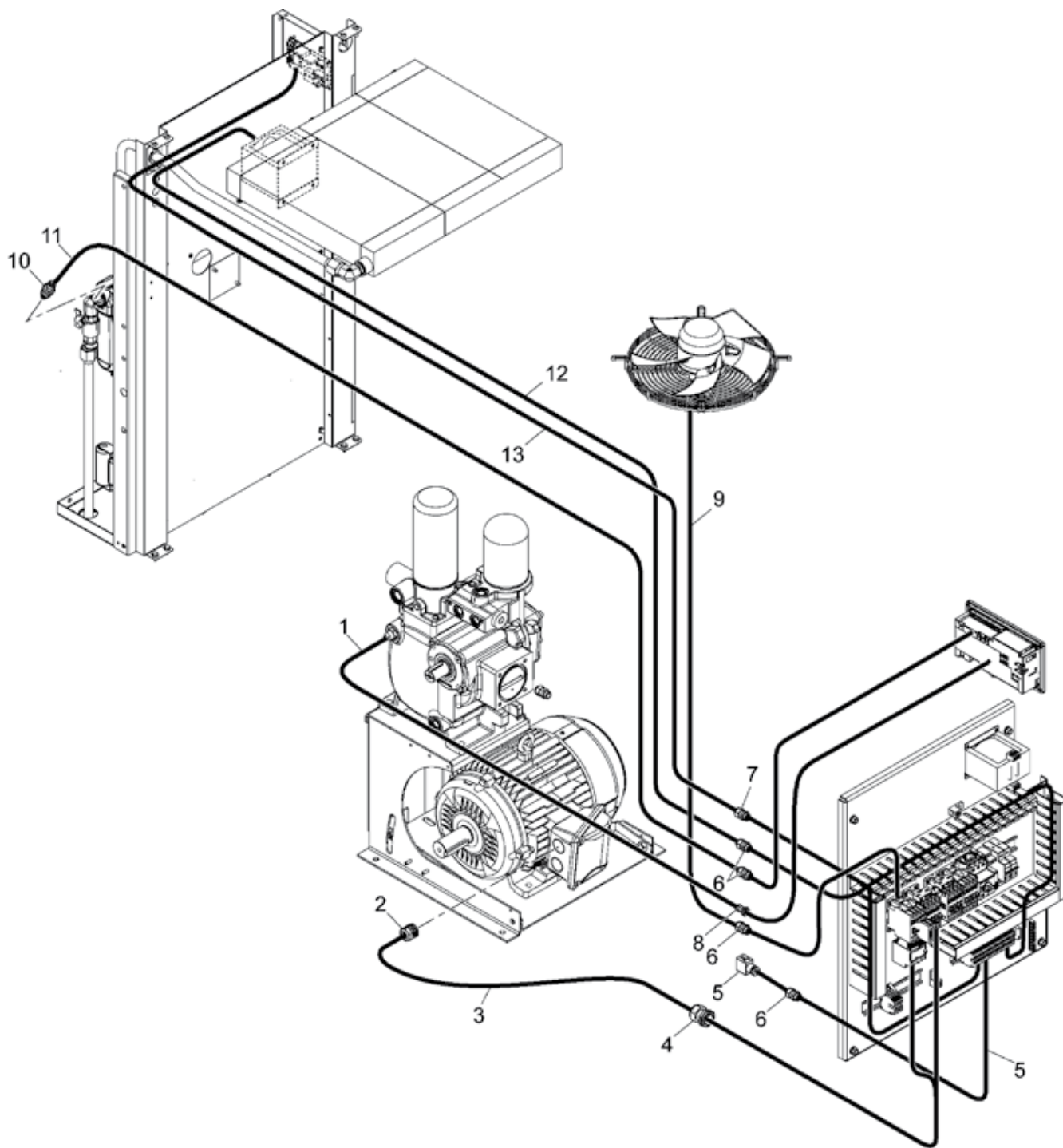
FIXED SPEED DRIVE CABLES - W/O RECEIVER & DRYER ASSEMBLY DRAWING



FIXED SPEED DRIVE CABLES - W/O RECEIVER & DRYER PARTS LIST

Item	Part No.	Qty	Description	Item	Part No.	Qty	Description
1	47504394001	1	CABLE, SENSOR - America	3	47520285001	1	CABLE, MOTOR - 230V - Europe
	47500671001	1	CABLE, SENSOR - Europe		47499671001	1	CABLE, MOTOR - 400V - Europe
2	22376776	1	GLAND, CABLE	4	22501720	1	GLAND, CABLE
	47546099001	1	GLAND, CABLE	5	47504393001	1	CABLE, 1SV - America & Brazil
3	47519004001	1	CABLE, MOTOR - 575V - America		47499672001	1	CABLE, 1SV - Europe
	47522822001	1	CABLE, MOTOR - 208/230/460V - America	6	23635816	3	GLAND, CABLE
	24547937	1	CABLE, MOTOR - 208/230V - America	7	23745995	2	PLUG
	24547929	1	CABLE, MOTOR - 220V - Brazil	8	39173927	1	GLAND, CABLE
	47504392001	1	CABLE, MOTOR- 380/440V - Brazil	9	24364184	1	CABLE, FAN
	47519050001	1	CABLE, MOTOR - 575V - Brazil	10	49154016	1	TRANSDUCER
	24547929	1	CABLE, MOTOR - 208/230/460V - America	11	47522135001	1	CABLE, TRANSDUCER

FIXED SPEED DRIVE CABLES - W/ RECEIVER & DRYER ASSEMBLY DRAWING

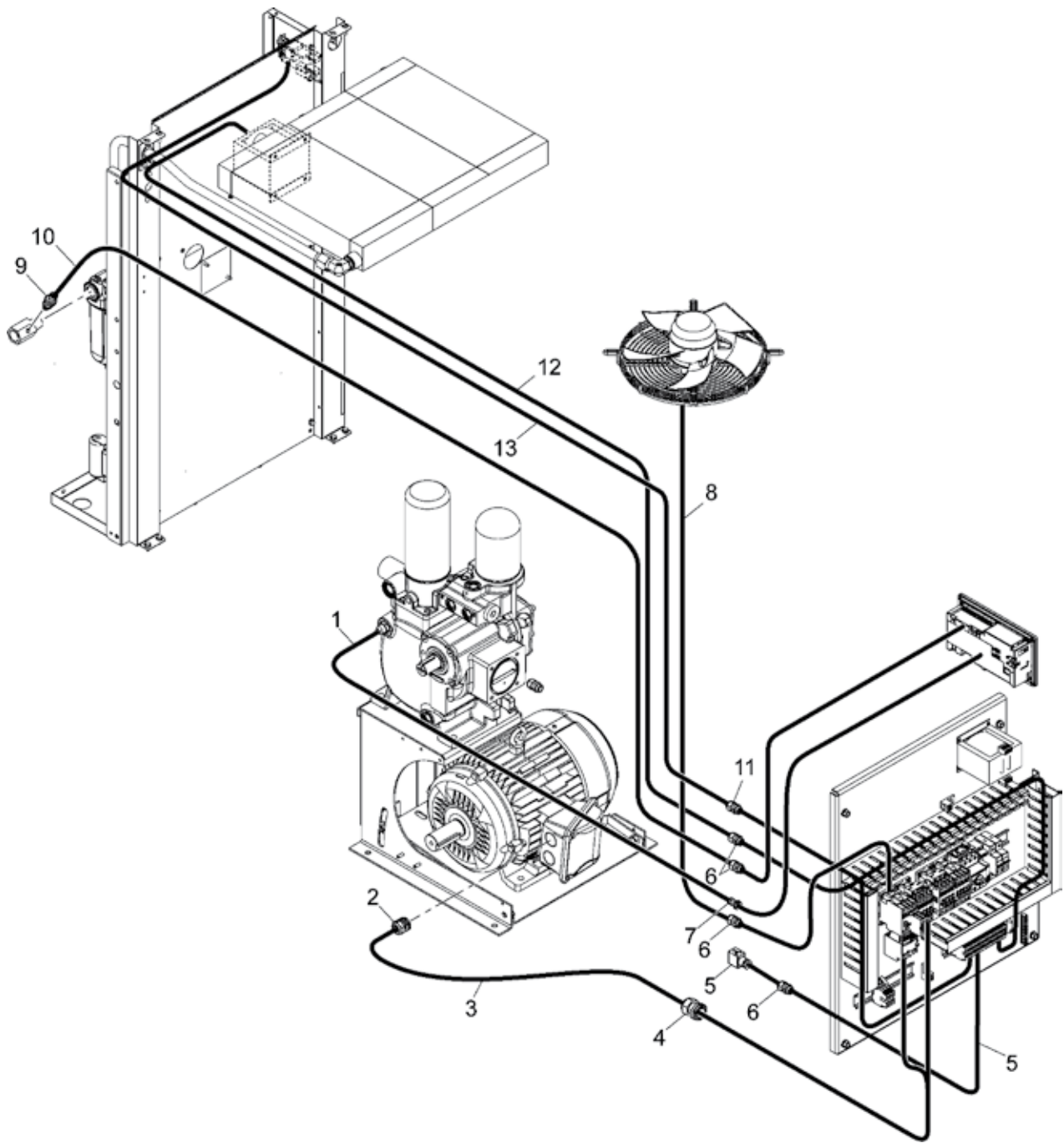


FIXED SPEED DRIVE CABLES - W/ RECEIVER & DRYER PARTS LIST

Item	Part No.	Qty	Description	Item	Part No.	Qty	Description
1	47504394001	1	CABLE, SENSOR - America	4	22501720	1	GLAND, CABLE
	47500671001	1	CABLE, SENSOR - Europe	5	47504393001	1	CABLE, 1SV - America & Brazil
2	22376776	1	GLAND, CABLE		47499672001	1	CABLE, 1SV - Europe
	47546099001	1	GLAND, CABLE	6	23635816	4	GLAND, CABLE
3	47519004001	1	CABLE, MOTOR - 575V - America	7	23635816	1	GLAND, CABLE - America
	47522822001	1	CABLE, MOTOR - 208/230/460V - America	8	39173927	1	GLAND, CABLE
	24547937	1	CABLE, MOTOR - 208/230V - America	9	24364184	1	CABLE, FAN
	24547929	1	CABLE, MOTOR - 220V - Brazil	10	49154016	1	TRANSDUCER, PRESSURE
	47504392001	1	CABLE, MOTOR- 380/440V - Brazil	11	47522134001	1	CABLE, TRANSDUCER
	47519050001	1	CABLE, MOTOR - 575V - Brazil	12	47499678001	1	CABLE, DRYER CONTROL
	24547929	1	CABLE, MOTOR - 208/230/460V - America	13	47504378001	1	CABLE, DRYER POWER - America only
	47520285001	1	CABLE, MOTOR - 230V - Europe		N/A	1	CABLE, DRYER POWER - Europe, See Note
	47499671001	1	CABLE, MOTOR - 400V - Europe				

NOTE : For Europe units the cable is included in the Dryer Assembly.

FIXED SPEED DRIVE CABLES - W/O RECEIVER & W/ DRYER ASSEMBLY DRAWING

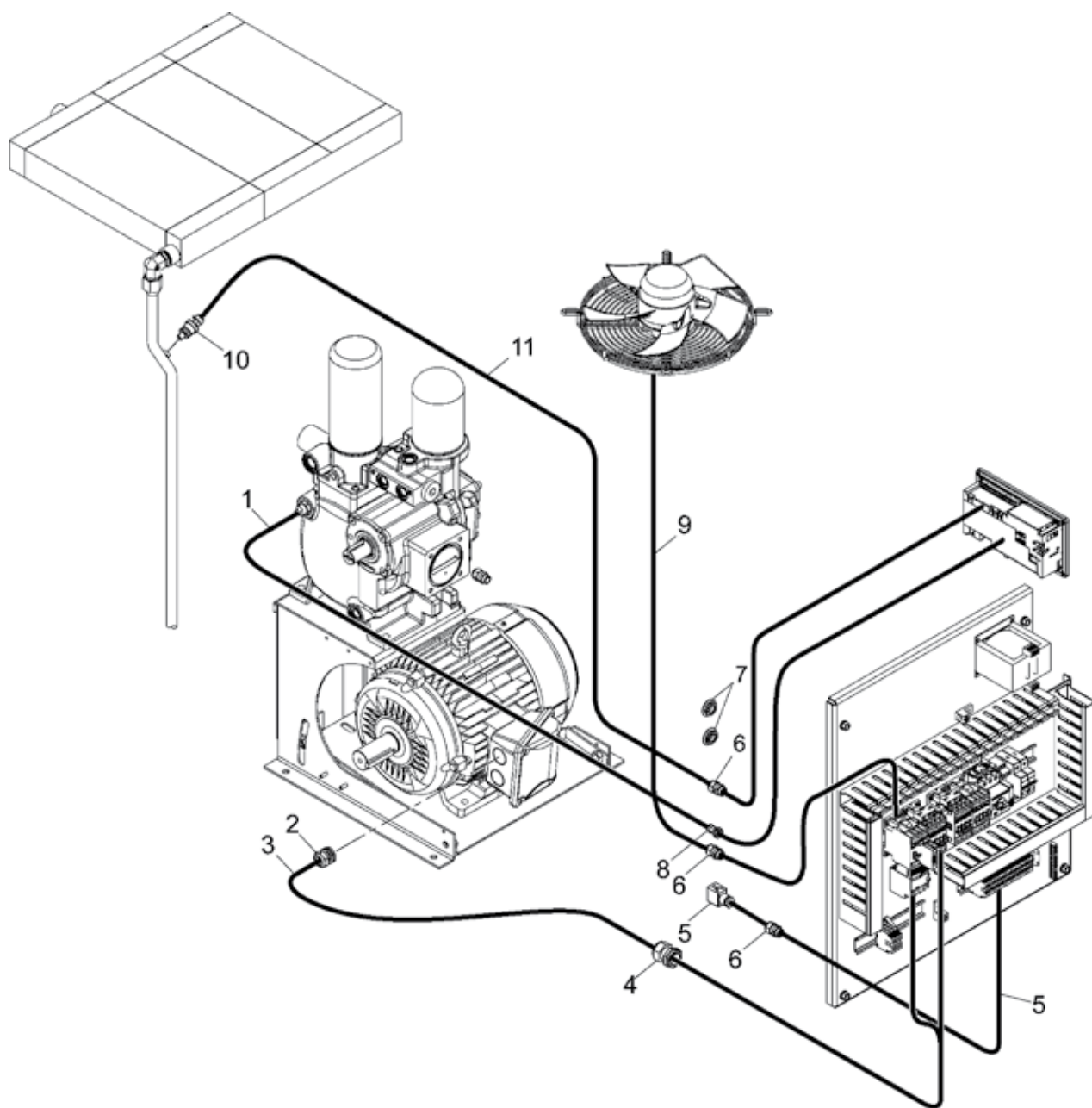


FIXED SPEED DRIVE CABLES - W/O RECEIVER & W/ DRYER PARTS LIST

Item	Part No.	Qty	Description	Item	Part No.	Qty	Description
1	47504394001	1	CABLE, SENSOR - America	4	22501720	1	GLAND, CABLE
	47500671001	1	CABLE, SENSOR - Europe	5	47504393001	1	CABLE, 1SV - America & Brazil
2	22376776	1	GLAND, CABLE		47499672001	1	CABLE, 1SV - Europe
	47546099001	1	GLAND, CABLE	6	23635816	4	GLAND, CABLE
3	47519004001	1	CABLE, MOTOR - 575V - America	7	39173927	1	GLAND, CABLE
	47522822001	1	CABLE, MOTOR - 208/230/460V - America	8	24364184	1	CABLE, FAN
	24547937	1	CABLE, MOTOR - 208/230V - America	9	49154016	1	TRANSDUCER, PRESSURE
	24547929	1	CABLE, MOTOR - 220V - Brazil	10	47522134001	1	CABLE, TRANSDUCER
	47504392001	1	CABLE, MOTOR- 380/440V - Brazil	11	23635816	1	GLAND, CABLE - America
	47519050001	1	CABLE, MOTOR - 575V - Brazil	12	47499678001	1	CABLE, DRYER CONTROL
	24547929	1	CABLE, MOTOR - 208/230/460V - America	13	47504378001	1	CABLE, DRYER POWER - America only
	47520285001	1	CABLE, MOTOR - 230V - Europe		N/A	1	CABLE, DRYER POWER - Europe, See Note
	47499671001	1	CABLE, MOTOR - 400V - Europe				

NOTE : For Europe units the cable is included in the Dryer Assembly.

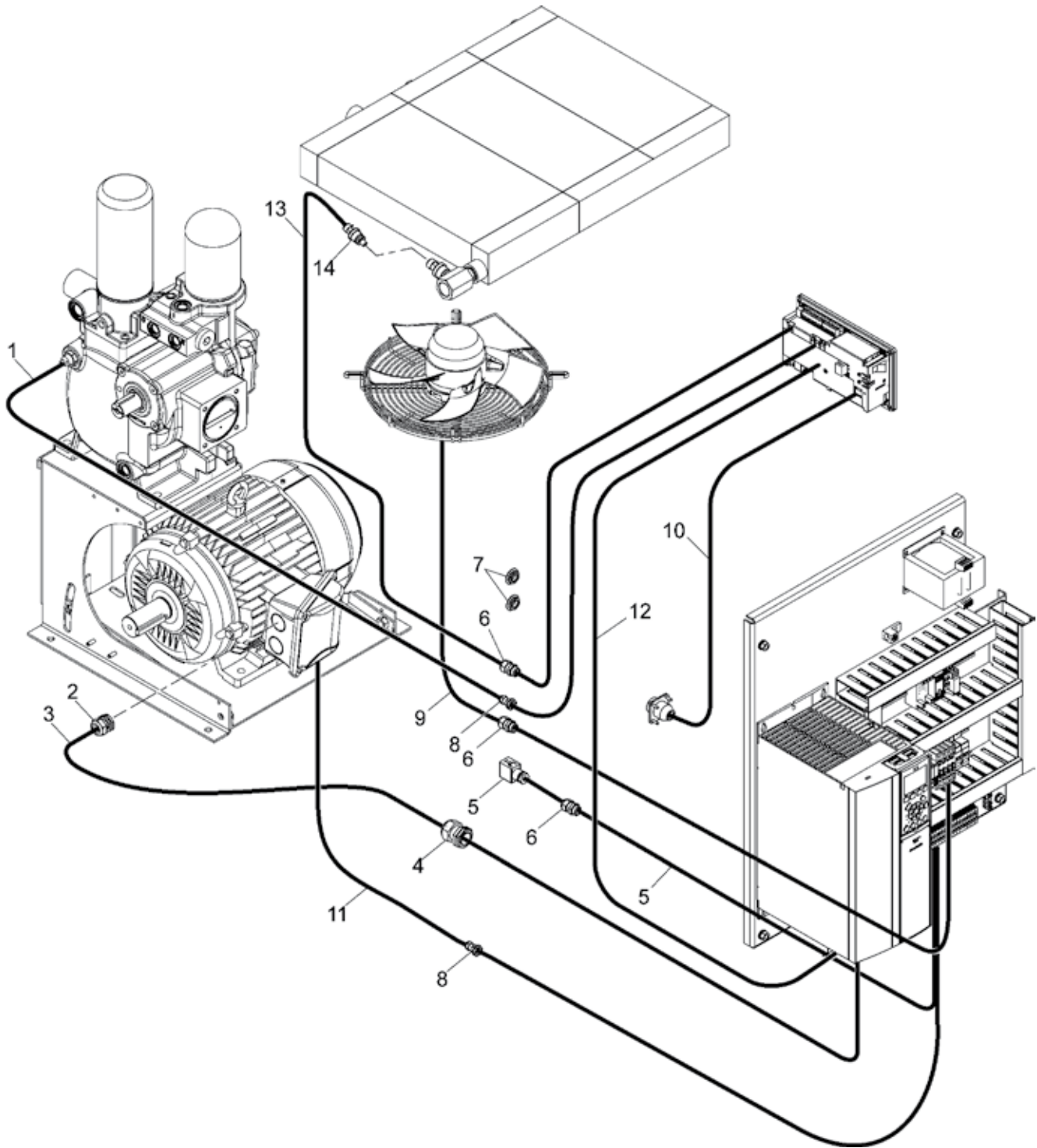
FIXED SPEED DRIVE CABLES - W/ RECEIVER & W/O DRYER ASSEMBLY DRAWING



FIXED SPEED DRIVE CABLES - W/ RECEIVER & W/O DRYER PARTS LIST

Item	Part No.	Qty	Description	Item	Part No.	Qty	Description
1	47504394001	1	CABLE, SENSOR - America	3	47520285001	1	CABLE, MOTOR - 230V - Europe
	47500671001	1	CABLE, SENSOR - Europe		47499671001	1	CABLE, MOTOR - 400V - Europe
2	22376776	1	GLAND, CABLE	4	22501720	1	GLAND, CABLE
	47546099001	1	GLAND, CABLE	5	47504393001	1	CABLE, 1SV - America & Brazil
3	47519004001	1	CABLE, MOTOR - 575V - America		47499672001	1	CABLE, 1SV - Europe
	47522822001	1	CABLE, MOTOR - 208/230/460V - America	6	23635816	4	GLAND, CABLE
	24547937	1	CABLE, MOTOR - 208/230V - America	7	23745995	2	PLUG
	24547929	1	CABLE, MOTOR - 220V - Brazil	8	39173927	1	GLAND, CABLE
	47504392001	1	CABLE, MOTOR- 380/440V - Brazil	9	24364184	1	CABLE, FAN
	47519050001	1	CABLE, MOTOR - 575V - Brazil	10	49154016	1	TRANSDUCER
24547929	1	CABLE, MOTOR - 208/230/460V - America	11	47522135001	1	CABLE, TRANSDUCER	

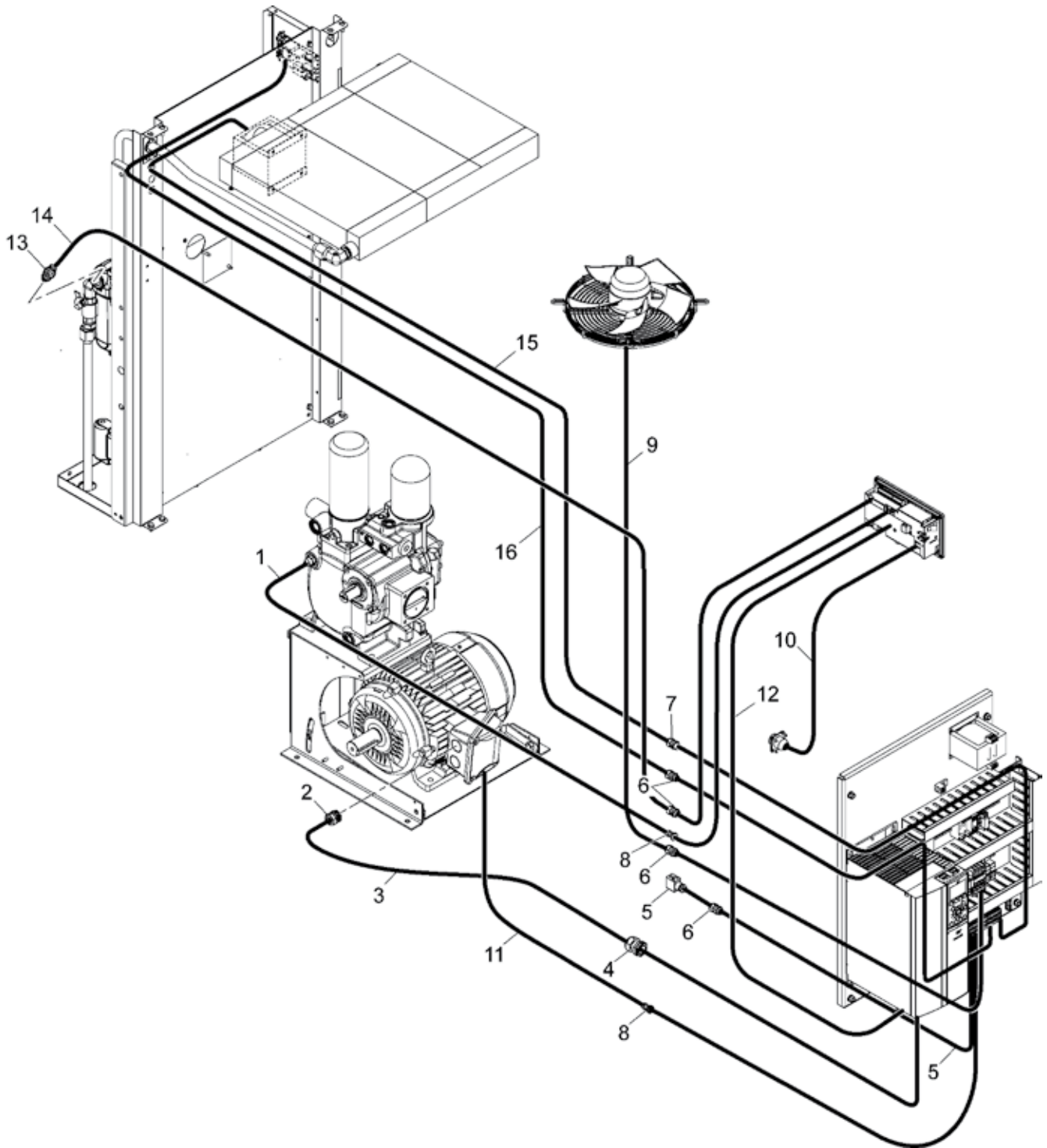
VSD DRIVE CABLES - W/O RECEIVER & DRYER ASSEMBLY DRAWING



VSD DRIVE CABLES - W/O RECEIVER & DRYER ASSEMBLY PARTS LIST

Item	Part No.	Qty	Description	Item	Part No.	Qty	Description
1	23522246	1	CABLE, TEMPERATURE SENSOR	6	23635816	3	GLAND, CABLE
2	22376776	1	GLAND, CABLE	7	23745995	2	PLUG
	47546099001	1	GLAND, CABLE	8	39173927	2	GLAND, CABLE
3	47504383001	1	CABLE, MOTOR - 380/440V - Brazil only	9	24364184	1	CABLE, FAN
	24547911	1	CABLE, MOTOR - 220V - Brazil only	10	47517230001	1	CABLE, MODBUS - See note
	47522824001	1	CABLE, MOTOR - 460V, 575V - America only	11	47509146001	1	CABLE, THERMO-CONTACT - Europe only
	47522823001	1	CABLE, MOTOR - 208/230V - America only		47509145001		CABLE, THERMO-CONTACT - America & Brazil only
	47520284001	1	CABLE, MOTOR - 230V - Europe only	12	47499693001	1	CABLE, CONTROL - Europe only
	47499692001	1	CABLE, MOTOR - 400V - Europe only		47504384001	1	CABLE, CONTROL - America & Brazil only
4	22501720	1	GLAND, CABLE	13	47522135001	1	CABLE, TRANSDUCER
5	47504393001	1	CABLE, 1SV - America & Brazil only	14	49154016	1	TRANSDUCER, PRESSURE
	47499672001	1	CABLE, 1SV- Europe only				

VSD DRIVE CABLES - W/ RECEIVER & DRYER ASSEMBLY DRAWING

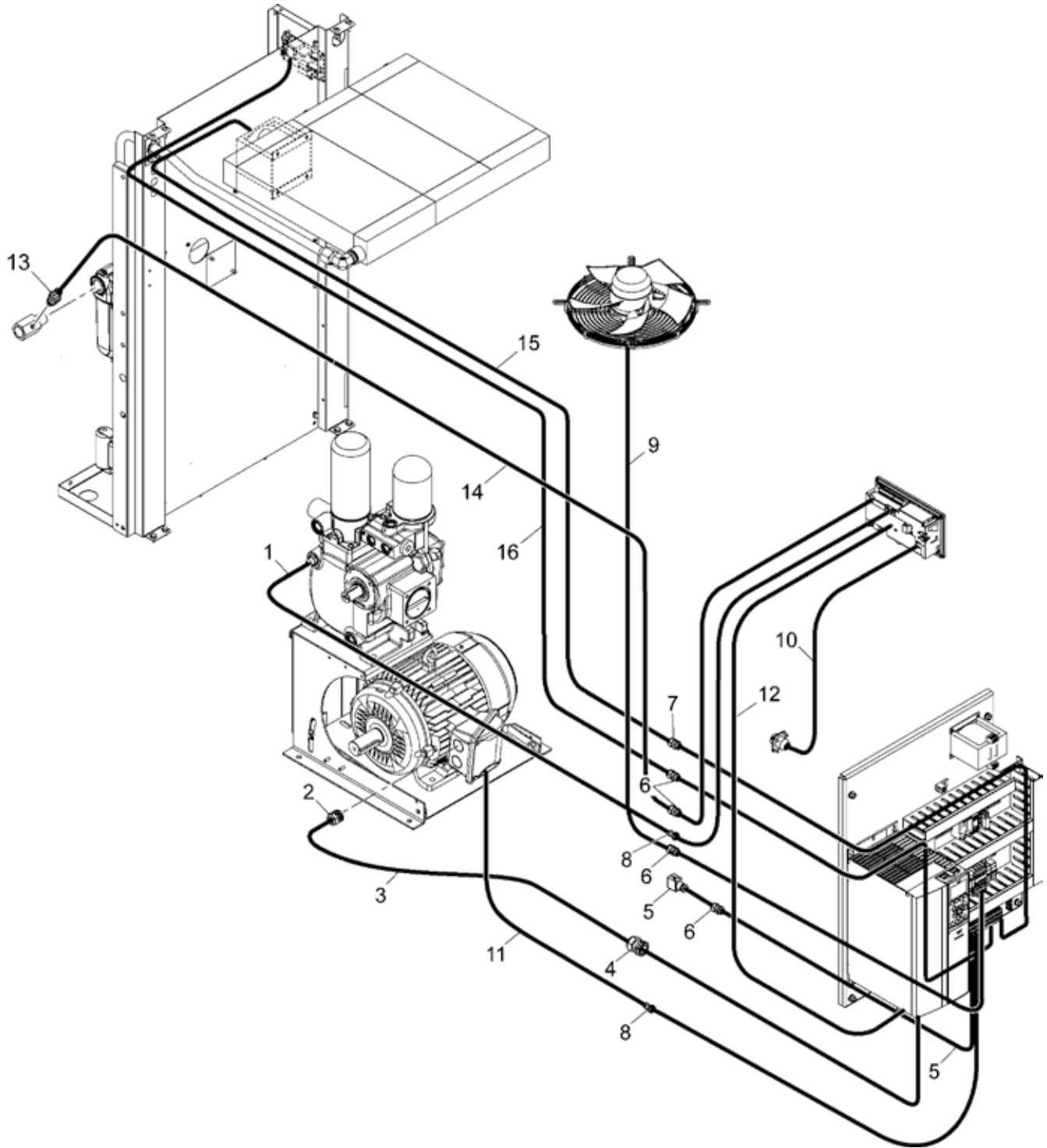


VSD DRIVE CABLES - W/ RECEIVER & DRYER ASSEMBLY PARTS LIST

Item	Part No.	Qty	Description	Item	Part No.	Qty	Description
1	23522246	1	CABLE, TEMPERATURE SENSOR	7	23635816	1	GLAND, CABLE - America only
2	22376776	1	GLAND, CABLE	8	39173927	2	GLAND, CABLE
	47546099001	1	GLAND, CABLE	9	24364184	1	CABLE, FAN
3	47504383001	1	CABLE, MOTOR - 380/440V - Brazil only	10	47517230001	1	CABLE, MODBUS - See note
	24547911	1	CABLE, MOTOR - 220V - Brazil only	11	47509146001	1	CABLE, THERMO-CONTACT - Europe only
	47522824001	1	CABLE, MOTOR - 460V, 575V - America only		47509145001		CABLE, THERMO-CONTACT - America & Brazil only
	47522823001	1	CABLE, MOTOR - 208/230V - America only	12	47499693001	1	CABLE, CONTROL - Europe only
	47520284001	1	CABLE, MOTOR - 230V - Europe only		47504384001	1	CABLE, CONTROL - America & Brazil only
	47499692001	1	CABLE, MOTOR - 400V - Europe only	13	49154016	1	TRANSDUCER, PRESSURE
4	22501720	1	GLAND, CABLE	14	47522134001	1	CABLE, TRANSDUCER
5	47504393001	1	CABLE, 1SV - America & Brazil only	15	47499678001	1	CABLE, DRYER CONTROL
	47499672001	1	CABLE, 1SV- Europe only	16	47504378001	1	CABLE, DRYER POWER - America only
6	23635816	4	GLAND, CABLE			N/A	1

NOTE : For Europe units the cable is included in the Dryer Assembly.

VSD DRIVE CABLES - W/O RECEIVER & W/ DRYER ASSEMBLY DRAWING

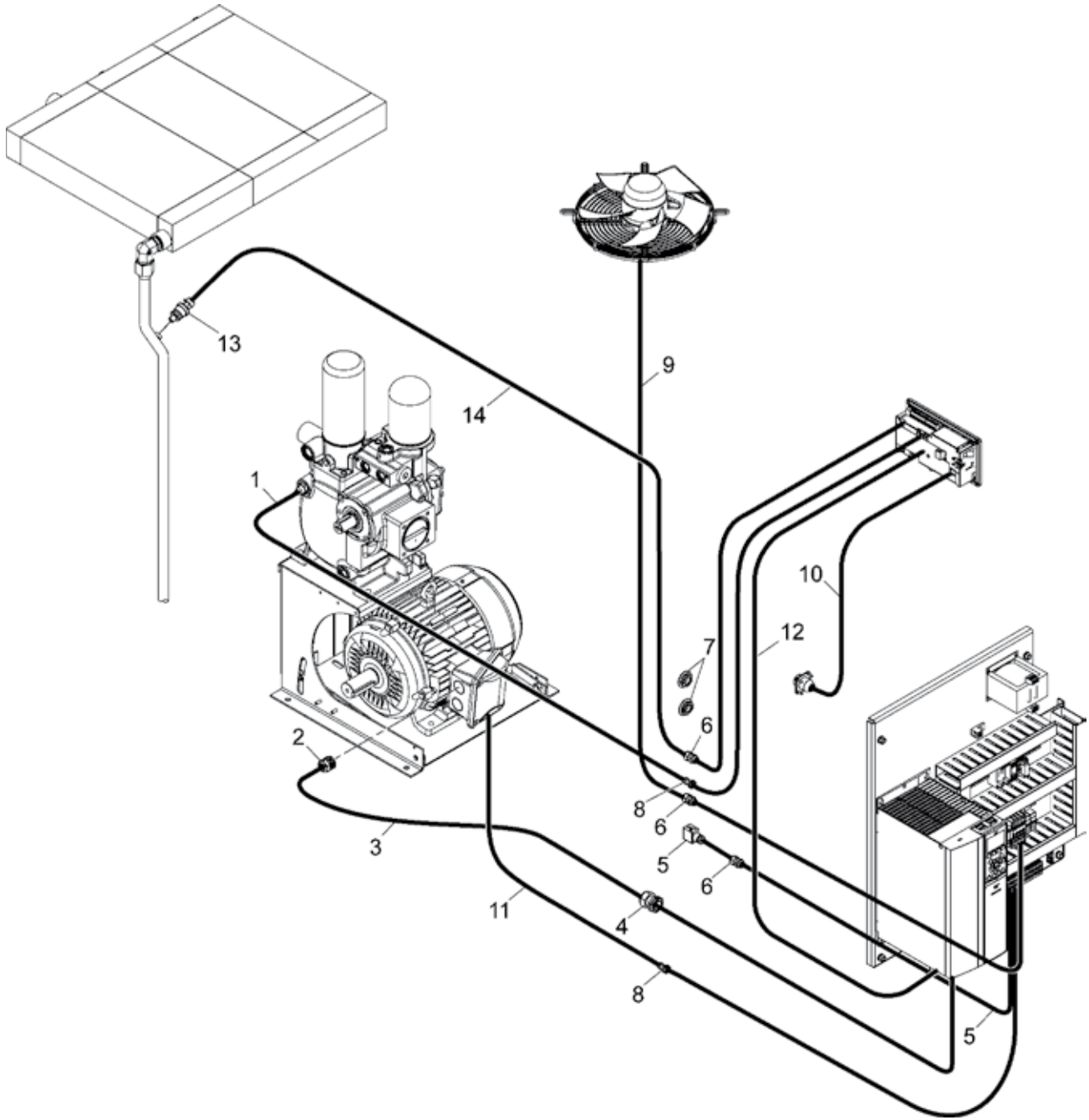


VSD DRIVE CABLES - W/O RECEIVER & W/ DRYER ASSEMBLY PARTS LIST

Item	Part No.	Qty	Description	Item	Part No.	Qty	Description
1	23522246	1	CABLE, TEMPERATURE SENSOR	7	23635816	1	GLAND, CABLE - America only
2	22376776	1	GLAND, CABLE	8	39173927	2	GLAND, CABLE
	47546099001	1	GLAND, CABLE	9	24364184	1	CABLE, FAN
3	47504383001	1	CABLE, MOTOR - 380/440V - Brazil only	10	47517230001	1	CABLE, MODBUS - See note
	24547911	1	CABLE, MOTOR - 220V - Brazil only	11	47509146001	1	CABLE, THERMO-CONTACT - Europe only
	47522824001	1	CABLE, MOTOR - 460V, 575V - America only		47509145001		CABLE, THERMO-CONTACT - America & Brazil only
	47522823001	1	CABLE, MOTOR - 208/230V - America only	12	47499693001	1	CABLE, CONTROL - Europe only
	47520284001	1	CABLE, MOTOR - 230V - Europe only		47504384001	1	CABLE, CONTROL - America & Brazil only
	47499692001	1	CABLE, MOTOR - 400V - Europe only	13	49154016	1	TRANSDUCER
4	22501720	1	GLAND, CABLE	14	47522134001	1	CABLE, TRANSDUCER
5	47504393001	1	CABLE, 1SV - America & Brazil only	15	47499678001	1	CABLE, DRYER CONTROL
	47499672001	1	CABLE, 1SV- Europe only	16	47504378001	1	CABLE, DRYER POWER - America only
6	23635816	3	GLAND, CABLE		N/A	1	CABLE, DRYER POWER - Europe, See Note

NOTE : For Europe units the cable is included in the Dryer Assembly.

VSD DRIVE CABLES - W/ RECEIVER & W/O DRYER ASSEMBLY DRAWING



VSD DRIVE CABLES - W/ RECEIVER & W/O DRYER ASSEMBLY PARTS LIST

Item	Part No.	Qty	Description	Item	Part No.	Qty	Description
1	23522246	1	CABLE, TEMPERATURE SENSOR	6	23635816	3	GLAND, CABLE
2	22376776	1	GLAND, CABLE	7	23745995	2	PLUG
	47546099001	1	GLAND, CABLE	8	39173927	2	GLAND, CABLE
3	47504383001	1	CABLE, MOTOR - 380/440V - Brazil only	9	24364184	1	CABLE, FAN
	24547911	1	CABLE, MOTOR - 220V - Brazil only	10	47517230001	1	CABLE, MODBUS - See note
	47522824001	1	CABLE, MOTOR - 460V, 575V - America only	11	47509146001	1	CABLE, THERMO-CONTACT - Europe only
	47522823001	1	CABLE, MOTOR - 208/230V - America only		47509145001		CABLE, THERMO-CONTACT - America & Brazil only
	47520284001	1	CABLE, MOTOR - 230V - Europe only	12	47499693001	1	CABLE, CONTROL - Europe only
	47499692001	1	CABLE, MOTOR - 400V - Europe only		47504384001	1	CABLE, CONTROL - America & Brazil only
4	22501720	1	GLAND, CABLE	13	49154016	1	TRANSDUCER, PRESSURE
5	47504393001	1	CABLE, 1SV - America & Brazil only	14	47522135001	1	CABLE, TRANSDUCER
	47499672001	1	CABLE, 1SV- Europe only				

DECALS DRAWING



1



2



3



12



13



14



4



5



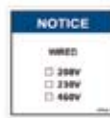
6



7



8



9



10



11



15



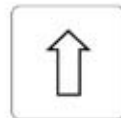
16



17



18



19



20



21



32



36



33



37



34



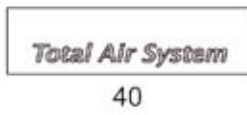
38



35



39



40



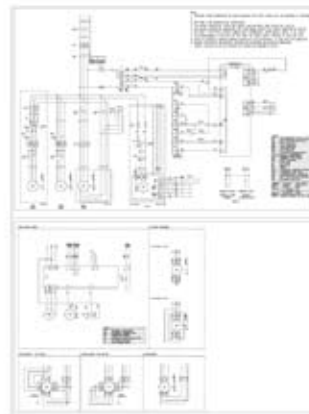
24



23



22



31



25



26



27



28



29



30



41



42

DECALS PARTS LIST

Item	Part No.	Qty	Description	Item	Part No.	Qty	Description
1	23038466	1	LOGO, INGERSOLL RAND	23	47516510001	1	DECAL, MAINTENANCE SCHEDULE - ULTRA EL
2	22248538	1	DECAL, PINCH POINT - LAN	24	47516504001	1	DECAL, MAINTENANCE SCHEDULE - ULTRA COOLANT
3	22497390	1	NAMEPLATE	25	32343535	1	DECAL, MOVING BELT - LAN
4	93166486	1	DECAL, POWER INLET	26	93165959	1	DECAL, ROTATING FAN
5	93171262	1	DECAL, LIFT HERE	27	92867407	1	DECAL, DO NOT INHALE
6	24728347	1	DECAL, AUTOMATIC START-UP	28	24125718	1	DECAL, DANGER - LAN
7	92930593	1	DECAL, ELECTRIC VOLTAGE	29	92867498	1	DECAL, AIR DISCHARGE
8	32343568	1	DECAL, HAZARDOUS VOLTAGE	30	24125726	1	DECAL, AIR DISCHARGE - LAN
9	24795221	1	DECAL, NOTICE	31	See Note	1	DECAL, ELECTRIC WIRING
10	47516565	1	DECAL, PINCH POINT	32	47515957001	1	DECAL, R4i
11	47516566	1	DECAL, MOVING BELT	33	47515959001	1	DECAL, R5.5i
12	24519381	1	DECAL, CAGI	34	47515961001	1	DECAL, R7.5i
13	47516299001	1	DECAL, SIGHT GLASS	35	47515963001	1	DECAL, R11i
14	24728370	1	DECAL, REMOTE START AND STOP	36	47515960001	1	DECAL, R5.5n
15	93166460	1	DECAL, COOLANT DRAIN	37	47515958001	1	DECAL, R5.5ie
16	92930585	1	DECAL, PRESSURISED VESSEL	38	47515962001	1	DECAL, R7.5n
17	32343527	1	DECAL, HIGH PRESSURE - LAN	39	47515964001	1	DECAL, R11n
18	92867530	1	DECAL, HOT SURFACE	40	47517437001	1	DECAL, TOTAL AIR SYSTEM
19	93165983	1	DECAL, ARROW	41	47500205001	1	DECAL, FACIA Xe-70
20	23538754	1	DECAL, WARNING	42	47499668001	1	DECAL, FACIA Xe-50
21	32343584	1	DECAL, HOT SURFACE - LAN				
22	47516511001	1	DECAL, MAINTENANCE SCHEDULE - FOOD GRADE				

NOTE : Refer the Electrical Schematics table in the Recommended Parts list section of this manual for the corresponding Part Number.

RECOMMENDED PARTS LIST

O-RINGS		
CCN	DESCRIPTION	LOCATION
95022372	O-RING	CE55NX AIREND, REAR BEARING COVER SEAL
95022133	O-RING 3/4 x 1 x 1/8	CE55NX AIREND, ROTOR HOUSING CROSS DRILL SEAL
95022323	O-RING STANDARD -235*	CE55NX AIREND, INLET VALVE MOUNTING
95022117	O-RING STANDARD SPECIAL BOSS TUBE FITTING INCH	CE55NX AIREND, SEAL HOUSING
95365383	O-RING, STANDARD ID 9.025 INCH	CE55NX AIREND, ROTOR HOUSING/REAR BEARING HOUSING OUTER FLANGE
95026944	O-RING, 4-7/8 x 5-1/4 x 3/16	CE55NX AIREND, ROTOR HOUSING SEAL
96759295	O-RING , M12 x 1.5 FLUOROCARBON	TEMPERATURE SENSOR (XE-70M) 23522246
96957105	O-RING FOR 5/8 ORFS (20A11E2M016)	COOLER, OIL COOLER IN AND OUT CONNECTIONS
95025466	O-RING, STANDARD -021 0.938 ID x 0.062 WIDTH	SEPARATOR STEM, UPPER
95021747	O-RING, STANDARD -115 0.688 ID x 0.094 WIDTH	SEPARATOR STEM, LOWER
95985859	O-RING, STANDARD -021 0.938 ID x 0.062 WIDTH	MPCV, END SEAL (Small)
95992293	O-RING, STANDARD -024 1.125 ID x 0.062 WIDTH	MPCV, MIDDLE SEAL (Large)
96957162	O-RING, STANDARD -116 0.750 ID x 0.094 WIDTH	VALVE, COOLANT DRAIN
96759360	O-RING, STANDARD 23.60 ID x 2.90 WIDTH	GLASS, SIGHT
24334955	O-RING, SET FITS ZFC45-ZFC65	FILTERS, DRYER
89246078	SEAL, SPACER FOR INLET VALVE TO AIR FILTER	VALVE, INLET TO AIR FILTER CONNECTION

CONSUMABLES	
CCN	DESCRIPTION
88171913	ELEMENT, AIR FILTER
89295976	ELEMENT, HIGH DUST AIR FILTER (HIGH DUST OPTION ONLY)
39329602	ELEMENT, COOLANT FILTER
24121212	ELEMENT, SEPARATOR
24241952	ELEMENT, GP DRYER FILTER (DRYER ONLY)
24241960	ELEMENT, HE DRYER FILTER (DRYER ONLY)
24286676	ELEMENT, PRE-FILTER
47512548	ELEMENT, PDM FILTER (VSD ONLY)

RECOMMENDED PARTS LIST

POWER TRANSMISSION TABLE					
MACHINE POWER	MACHINE CONFIGURATION	BELT PART NUMBER	MOTOR SHEAVE PART NUMBER	AIREND SHEAVE PART NUMBER	BUSHING PART NUMBER
5 hp	110 PSIG, 60 Hz	47499581001	47508085001	47508074001	23635667
	125 PSIG, 60 Hz	47499581001	47508085001	47517372001	23635667
	145 PSIG, 60 Hz	24208597	47508085001	47517373001	23635667
7.5 hp	110 PSIG, 60 Hz	47501874001	47501872001	47508072001	23635667
	125 PSIG, 60 Hz	47499581001	24365769	47508073001	23635667
	145 PSIG, 60 Hz	47499581001	24365769	47501860001	23635667
	200 PSIG, 60 Hz	47499581001	47508085001	47508074001	23635667
10 hp	110 PSIG, 60 Hz	24208597	24365793	47508075001	23635667
	125 PSIG, 60 Hz	47499581001	24365785	47508076001	23635667
	145 PSIG, 60 Hz	47499581001	24365785	47501861001	23635667
	200 PSIG, 60 Hz	47499581001	24365769	47508077001	23635667
15 hp	110 PSIG, 60 Hz	47501875001	22386734	47508081001	22386882
	125 PSIG, 60 Hz	47501875001	22386734	47508082001	22386882
	145 PSIG, 60 Hz	47501875001	22386734	47508083001	22386882
	200 PSIG, 60 Hz	47499582001	22386734	47508084001	22386882
5.5 kW	7.5 BARG, 50 Hz	47501874001	47508086001	47508067001	23635667
	8.5 BARG, 50 Hz	47501874001	47508086001	24365819	23635667
	10 BARG, 50 Hz	47501874001	47501872001	47508068001	23635667
	14 BARG, 50 Hz	47499581001	47508086001	47508069001	23635667
7.5 kW	7.5 BARG, 50 Hz	24208597	47499579001	47508070001	23635667
	8.5 BARG, 50 Hz	24208597	24365793	47508070001	23635667
	10 BARG, 50 Hz	24208597	24365793	47499573001	23635667
	14 BARG, 50 Hz	47499581001	24365785	47508071	23635667
11 kW	7.5 BARG, 50 Hz	47499582001	22386759	47508078001	22386882
	8.5 BARG, 50 Hz	47499582001	22386759	24208522	22386882
	10 BARG, 50 Hz	24208621	24215667	47501868001	22386882
	14 BARG, 50 Hz	24208621	47499580001	47508080001	22386882

RECOMMENDED PARTS LIST**COOLANT SYSTEM ANALYSIS**

CCN	DESCRIPTION
38035531	KIT, COOLANT SAMPLE CHECK - North America, South America & India
88176367	KIT, COOLANT SAMPLE CHECK - Europe, Middle East & Africa
91002550	KIT, COOLANT SAMPLE CHECK - Asia pacific
15478415	KIT, COOLANT SAMPLE CHECK - China

COOLANTS

Container Size	Ultra Coolant	Ultra EL	Ultra FG
1 L	92837095	24161119	-----
5 L	92692284	24061608	23973969
15 L	-----	24061624	-----
20 L	38459582	-----	23973977
208 L	39433743	24061640	23973985

VALVES

CCN	DESCRIPTION
22401590	VALVE, PRESSURE RELIEF (SAFETY) 16 BARG (Brazil and Europe Airend and Receivers)
22378665	VALVE, PRESSURE RELIEF (SAFETY) 232 PSIG (America Airend)
31385693	VALVE, PRESSURE RELIEF (SAFETY) 200 PSIG (America Receiver less than 200 psig machine pressure)
22052450	VALVE, PRESSURE RELIEF (SAFETY) 225 PSIG (America Receiver up to 200 psig machine pressure)
23694938	VALVE, MINIMUM PRESSURE CHECK
23972854	VALVE, INLET, NORMALLY CLOSED
47515589001	VALVE, SOLENOID DRAIN 1/4 NPT, 110V 1PH 50/60Hz, CABLE 1.6M (Europe Replacement Receiver Condensate Solenoid)
47515814001	VALVE, SOLENOID DRAIN 1/4 NPT, 110V 1PH 60Hz, CABLE 1.6M (Americas Replacement Receiver Condensate Solenoid)
47498691001	VALVE, SOLENOID 3 WAY 24V 50/60 Hz (Xe-50)
47502725001	VALVE, SOLENOID 3 WAY 110V 50 Hz (Xe-70 Europe)
47517905001	VALVE, SOLENOID 3 WAY 110V 60 Hz (Xe-70 Americas)
47542910001	VALVE, BLOW DOWN 1/4" BSPT N.O. W/ 2.0 mm ORIFICE
24096901	VALVE, DRAIN M 22 X 1.5 (Coolant Drain Valve)
24096984	HOSE DRAIN ASSEMBLY (For Use with Drain Valve 24096901)
24042665	VALVE, IN-LINE SCAVENGE ORIFICE CHECK (Airend Scavenge Line Tubing to Integrated Separator/MPCV Manifold)
47507408001	VALVE, BALL 3/4" BSPP (Dryer Discharge to Receiver)
32106569	VALVE, BALL 3/4" NPT (America Receiver Discharge)
93179661	VALVE, BALL 3/4" BSPP (Europe and Brazil Receiver Discharge)
92258706	VALVE, MANUAL DRAIN (Receiver Manual Drain) - Europe & Brazil
32027120	VALVE, MANUAL DRAIN (Receiver Manual Drain) - America
24223943	VALVE, CONDENSATE COLLECTOR AND DISTRIBUTION, WITH SCREEN AND PLUG (Global - Dryer)
38459665	VALVE, DRYER CONDENSATE DRAIN (Europe and Brazil Dryer Replacement Condensate Solenoid)
48660633	VALVE, DRYER CONDENSATE DRAIN (America Dryer Replacement Condensate Solenoid)

DRYERS

CCN	DESCRIPTION
24646317	DRYER, INTEGRATED R4-11 D144 (Replacement Dryer Europe and Brazil)
47518888001	DRYER, INTEGRATED R4-11 (Replacement Dryer America)
47532147001	DRYER, INTEGRATED R4-11 CRN (Replacement Dryer America for Canada)

RECOMMENDED PARTS LIST

MOTOR TERMINAL BLOCKS

CCN	DESCRIPTION
47549141001	BLOCK, MOTOR TERMINAL, 6 PIN
47549142001	BLOCK, MOTOR TERMINAL, 12 PIN

ELECTRICAL SCHEMATICS

CCN	DESCRIPTION
24437675	ELECTRICAL DIAGRAM R4-11 kW, DOL, Xe-50M
24437683	ELECTRICAL DIAGRAM R4-11 kW, S/D, Xe-70M
24153595	ELECTRICAL DIAGRAM R4-11 kW, S/D, Xe-50M
24153603	ELECTRICAL DIAGRAM R4-11 kW, VSD, Xe-70M

GENERAL ARRANGEMENTS

CCN	DESCRIPTION
24187775	GENERAL ARRANGEMENT, R4-11 kW - STANDARD BASE
24235921	GENERAL ARRANGEMENT, R4-11 kW - STANDARD BASE (DRYER)
24366502	GENERAL ARRANGEMENT, R4-11 kW - 500L RECEIVER MOUNTED
24368995	GENERAL ARRANGEMENT, R4-11 kW - 272L RECEIVER MOUNTED
47518742001	GENERAL ARRANGEMENT, R4-11 kW - 80G RECEIVER MOUNTED
47518743001	GENERAL ARRANGEMENT, R4-11 kW - 120G RECEIVER MOUNTED
47518741001	GENERAL ARRANGEMENT, R4-11 kW - 200L RECEIVER MOUNTED

P&ID

CCN	DESCRIPTION
24230070	PIPING AND INSTRUMENTATION DRAWING, R4-11 kW

SENSORS/TRANSDUCER

CCN	DESCRIPTION
23522246	SENSOR, TEMPERATURE THERMISTOR (Xe-70, Airend and Additional for Low Ambient Options)
24255838	SENSOR, TEMPERATURE (Xe-50)
49154016	TRANSDUCER, PRESSURE 16 BAR 4-20 MA
47522134001	CABLE, TRANSDUCER LENGTH 2100 mm (DRYER)
47522135001	CABLE, TRANSDUCER LENGTH 1830 mm (NON-DRYER)

EMERGENCY STOP SWITCHES

CCN	DESCRIPTION
23990716	SWITCH, EMERGENCY (Xe-50)
47499689001	SWITCH, EMERGENCY STOP (Xe-70)

FUSES, CONTACTS, CONTACTORS, TERMINALS, OVERLOADS, RELAYS

Refer to the appropriate Backpanel Assembly for Spare Parts consideration

RECOMMENDED PARTS LIST

VSD DRIVE PARTS		
CCN	DESCRIPTION	FOR DRIVE CCN
24512345	CONTROL BOARD WITH DRIVE PARAMETERS	24198996 47501524001 47512534001 47512537001 47512540001 47503741001 47503742001 47503743001 47503744001 47504396001 47504398001 47535917001 47535919001
24753139	FAN ASSEMBLY FOR A3 FRAME, 5.5 - 7.5 kW 380-480 AND 575 VAC DRIVES. (1) NEEDED PER DRIVE	47501524001 47503744001 47535917001
24753121	FAN ASSEMBLY FOR B3 FRAME, 5.5 - 7.5 kW 230 VAC AND 11 kW 380-480 AND 575 VAC DRIVES. (1) NEEDED PER DRIVE	24198996 47503741001 47503742001 47503743001 47504398001 47512534001 47512537001
24753162	FAN ASSEMBLY FOR B4 FRAME, 11 kW 230 VAC DRIVES. (1) NEEDED PER DRIVE	47535919001 47504396001 47512540001
24753238	SOFT CHARGE CARD, P11KT2, 230 VAC B4 FRAME.	47535919001 47504396001 47512540001

RECOMMENDED PARTS LIST

START-UP KITS

CCN	DESCRIPTION
47518591001	KIT, START-UP R4-11 kW - ULTRA COOLANT
47527925001	KIT, START-UP R4-11 kW - FOOD GRADE
47527926001	KIT, START-UP R4-11 kW - ULTRA EL

MAINTENANCE KITS

CCN	DESCRIPTION
47518595001	KIT, MAINTENANCE R4-11kW - NO COOLANT, 2000/6000 HR - STANDARD AIR FILTER
47518596001	KIT, MAINTENANCE R4-11kW - NO COOLANT, 2000/6000 HR - HIGH DUST AIR FILTER
47518611001	KIT, MAINTENANCE R4-11kW - NO COOLANT, 4000/8000 HR - NO DRYER STANDARD AIR FILTER, FS
47518603001	KIT, MAINTENANCE R4-11kW - NO COOLANT, 4000/8000 HR - NO DRYER STANDARD AIR FILTER, VSD
47518612001	KIT, MAINTENANCE R4-11kW - NO COOLANT, 4000/8000 HR - NO DRYER HIGH DUST AIR FILTER, FS
47518604001	KIT, MAINTENANCE R4-11kW - NO COOLANT, 4000/8000 HR - NO DRYER HIGH DUST AIR FILTER, VSD
47518613001	KIT, MAINTENANCE R4-11kW - NO COOLANT, 4000/8000 HR - DRYER STANDARD AIR FILTER, FS
47518607001	KIT, MAINTENANCE R4-11kW - NO COOLANT, 4000/8000 HR - DRYER STANDARD AIR FILTER, VSD
47518614001	KIT, MAINTENANCE R4-11kW - NO COOLANT, 4000/8000 HR - DRYER HIGH DUST AIR FILTER, FS
47518608001	KIT, MAINTENANCE R4-11kW - NO COOLANT, 4000/8000 HR - DRYER HIGH DUST AIR FILTER, VSD

SERVICE KITS

CCN	DESCRIPTION
48975379	KIT, SERVICE SHAFT SEAL
47518601001	KIT, SERVICE INLET VALVE REPLACE
23887524	KIT, SERVICE INLET VALVE REBUILD
47518605001	KIT, SERVICE THERMAL VALVE
47518625001	KIT, SERVICE 1-PHASE CAPACITOR

RECOMMENDED PARTS LIST

FIELD KITS	
CCN	DESCRIPTION
47518606001	KIT, FIELD PORO
47518610001	KIT, FIELD HIGH DUST INLET FILTER
47518635001	KIT, FIELD OUTDOOR MOD
47518599001	KIT, FIELD DRYER INSTALLATION - NO RECEIVER, 50 Hz, 230V
47518600001	KIT, FIELD DRYER INSTALLATION - NO RECEIVER, 50 Hz 400V
47518615001	KIT, FIELD DRYER INSTALLATION - NO RECEIVER, 60 Hz, TRI-VOLTAGE FS
47522103001	KIT, FIELD DRYER INSTALLATION - NO RECEIVER, 60 Hz, 208V - VSD
47518638001	KIT, FIELD DRYER INSTALLATION - NO RECEIVER, 60 Hz, 220V
47522104001	KIT, FIELD DRYER INSTALLATION - NO RECEIVER, 60 Hz, 230V - VSD
47518616001	KIT, FIELD DRYER INSTALLATION - NO RECEIVER, 60 Hz, 380V
47518626001	KIT, FIELD DRYER INSTALLATION - NO RECEIVER, 60 Hz, 440V
47522105001	KIT, FIELD DRYER INSTALLATION - NO RECEIVER, 60 Hz, 460V - VSD
47518592001	KIT, FIELD DRYER INSTALLATION - NO RECEIVER, 60 Hz, 575V
47522106001	KIT, FIELD DRYER INSTALLATION - 80G RECEIVER, 60 Hz, TRI-VOLTAGE - FS
47522107001	KIT, FIELD DRYER INSTALLATION - 80G RECEIVER, 60 Hz, 208V - VSD
47522108001	KIT, FIELD DRYER INSTALLATION - 80G RECEIVER, 60 Hz, 230V - VSD
47522109001	KIT, FIELD DRYER INSTALLATION - 80G RECEIVER, 60 Hz, 460V - VSD
47522110001	KIT, FIELD DRYER INSTALLATION - 80G RECEIVER, 60 Hz, 575V
47522111001	KIT, FIELD DRYER INSTALLATION - 120G RECEIVER, 60 Hz, TRI-VOLTAGE - FS
47522112001	KIT, FIELD DRYER INSTALLATION - 120G RECEIVER, 60 Hz, 208V - VSD
47522113001	KIT, FIELD DRYER INSTALLATION - 120G RECEIVER, 60 Hz, 230V - VSD
47522114001	KIT, FIELD DRYER INSTALLATION - 120G RECEIVER, 60 Hz, 460V - VSD
47522115001	KIT, FIELD DRYER INSTALLATION - 120G RECEIVER, 60 Hz, 575V
47522116001	KIT, FIELD DRYER INSTALLATION - 200L RECEIVER, 60 Hz, 220V
47522117001	KIT, FIELD DRYER INSTALLATION - 200L RECEIVER, 60 Hz, 380V
47522118001	KIT, FIELD DRYER INSTALLATION - 200L RECEIVER, 60 Hz, 440V
47522119001	KIT, FIELD DRYER INSTALLATION - 272L RECEIVER, 50 Hz, 230V
47522120001	KIT, FIELD DRYER INSTALLATION - 272L RECEIVER, 50 Hz, 400V
47522121001	KIT, FIELD DRYER INSTALLATION - 500L RECEIVER, 50 Hz, 230V
47522122001	KIT, FIELD DRYER INSTALLATION - 500L RECEIVER, 50 Hz, 400V
47532273001	KIT, FIELD DRYER INSTALLATION - NO RECEIVER, TRI-VOLTAGE (CRN)
47532274001	KIT, FIELD DRYER INSTALLATION - NO RECEIVER, 575V (CRN)
47532275001	KIT, FIELD DRYER INSTALLATION - 80G RECEIVER, TRI-VOLTAGE (CRN)
47532276001	KIT, FIELD DRYER INSTALLATION - 80G RECEIVER, 575V (CRN)
47532277001	KIT, FIELD DRYER INSTALLATION - 120G RECEIVER, TRI-VOLTAGE (CRN)
47532278001	KIT, FIELD DRYER INSTALLATION - 120G RECEIVER, 575V (CRN)
47548489001	KIT, FIELD LOW AMBIENT - FROST PROTECTION -10°C, 230V (Europe only)
47548490001	KIT, FIELD LOW AMBIENT - FROST PROTECTION -10°C, 400V (Europe only)



A series of horizontal lines spanning the width of the page, intended for writing or text entry.



A series of horizontal lines spanning the width of the page, providing a template for writing. The lines are evenly spaced and extend from the left margin to the right edge of the page.



A series of horizontal lines spanning the width of the page, providing a template for writing. The lines are evenly spaced and extend from the left margin to the right edge of the page.

