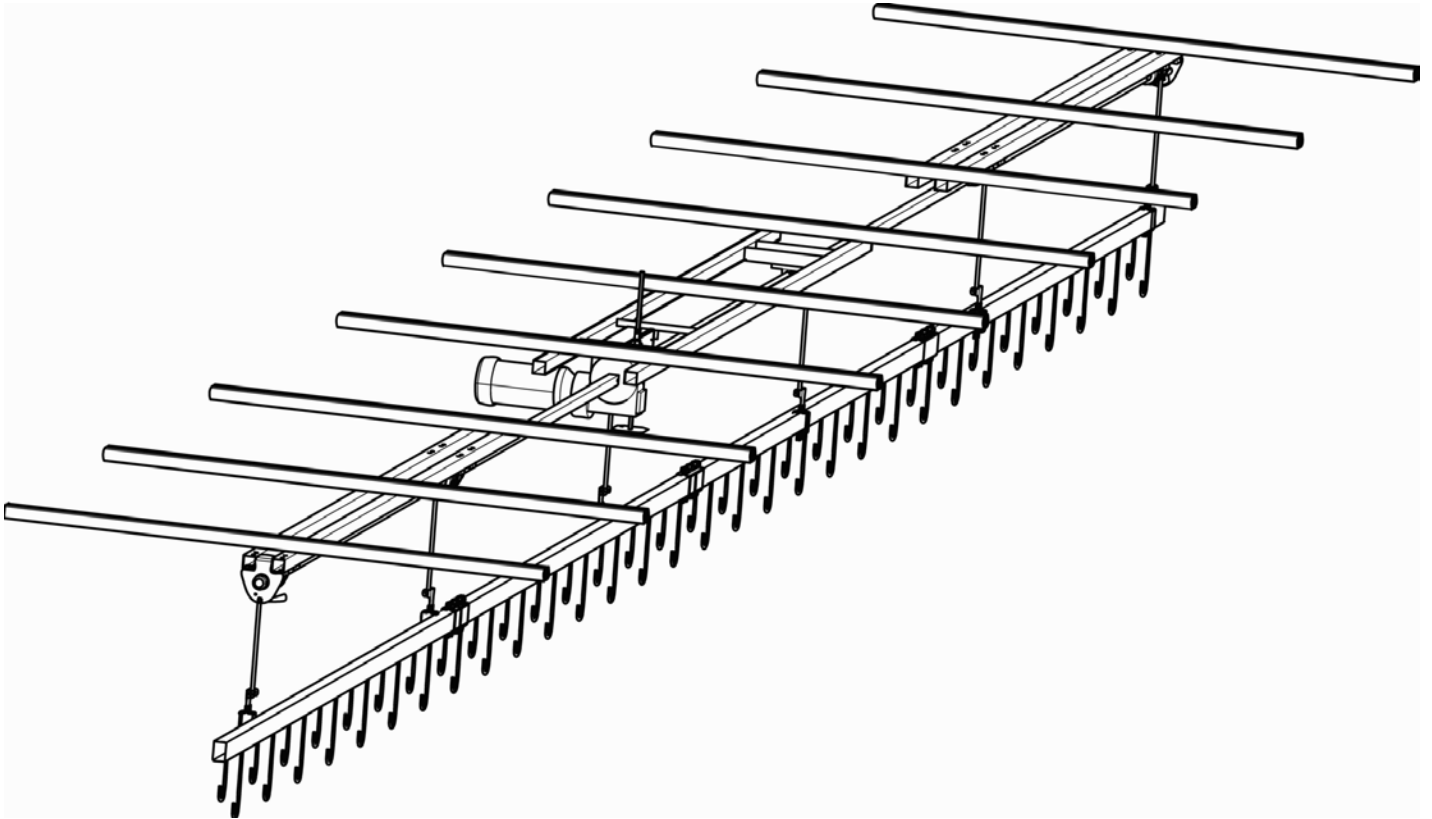


# OSS 24-48

## Service Manual

OSS-24-48-sm-05-Sept2015



# **TABLE OF CONTENTS**

<b>INTRODUCTION .....</b>	<b>3</b>
<b>GENERAL SAFETY RULES .....</b>	<b>4</b>
Annual Inspection Label .....	4
Important Notice.....	6
Load Capacity .....	6
<b>SAFE OPERATING PROCEDURES .....</b>	<b>7</b>
<b>TROUBLESHOOTING GUIDE.....</b>	<b>8</b>
<b>ADJUSTMENT GUIDELINES</b>	
Adjusting the Upper Limit Safety Shut off Switch .....	9
Motor Test points .....	11
Crash Brake Preventative Maintenance .....	11
<b>COMPONENTS</b>	
24-48 Electrical Components.....	12
Center Assembly .....	13
End Section .....	14
5-1790-A01 Drive Spool/Sprocket Assembly .....	15
Bike Bar Joiner & Spool Parts .....	16
Electrical Box Assembly .....	17
Hook Bar & Mounting Options .....	18
Decals .....	20
<b>PREVENTATIVE MAINTENANCE CHECKLIST .....</b>	<b>21</b>
<b>WIRING SCHEMATIC .....</b>	<b>22</b>
<b>WARRANTY &amp; LIABILITY .....</b>	<b>28</b>

# INTRODUCTION

This machine has been carefully designed and constructed to provide you with many years of dependable service. It has been built to meet or exceed current UL or CSA standards. With proper care in operation and maintenance, this machine will assist you in maximizing your efficiency.

To ensure the utmost value and performance from your machine, please read this manual carefully to be sure correct operation procedures are followed.

This manual provides you with operation, troubleshooting, and maintenance procedures for your machine. However, if help is needed or if any of these procedures are unclear, please contact Vidir at 1-800-210-0141.

## SERIAL NUMBER

Please be sure to record the serial number for any future service calls and parts ordering.

Serial No. \_\_\_\_\_

## IMPORTANT CAUTION NOTICE:

Vidir has made every effort to protect operators and others from injury due to mechanical parts movement and electrical safety. As with any mechanical device, the operator is responsible to inspect the condition of the machine prior to use and adhere to safe operating procedures at all times.

A factory approved Preventative Maintenance is recommended every 12 months or 100 hours, whichever comes first.

Information in this document is proprietary, confidential, and property of Vidir Machine Inc. Disclosure or duplication of this material is prohibited except by authorization of Vidir Machine Inc.

**service@vidir.com**

**Head Office**  
**Vidir Machine Inc.**  
Box 700  
Arborg, Manitoba, Canada  
R0C 0A0  
Service: 1-866-821-2647  
Toll Free: 1-800-210-0141  
Phone: 1-204-364-2442  
Fax: 1-204-364-2454  
Service Fax: 1-204-364-3072

**U.S. Office**  
**Vidir Inc.**  
19 East Lehman St.  
Lebanon, PA  
17046 USA  
Service: 1-866-821-2647  
Toll Free: 1-866-898-4347  
Phone: 1-717-270-1000  
Fax: 1-717-270-1001



# GENERAL SAFETY RULES

1. Read the operator's manual carefully to ensure familiarity with the controls and the proper use of the equipment.
2. Machine operation must be performed by trained personnel. Never allow children to operate the machine.
3. Keep the area of operation clear of all persons and potential hazards.
4. Always shut off the main power switch before servicing the machine.
5. Do not post the security password where unauthorized users will have access to it.
6. Keep all guards and shields in place.

**NOTE:**

**Annual inspection is required to ensure safe operation of the unit.**

**Labelling**

**Annual Inspection Label**


Note: Annual inspection is required to ensure safe operation of the unit. See preventative maintenance and inspection list for details.

**Overhead Storage System Annual Inspection**

*Note: Annual inspection is required to ensure safe operation of the unit.*

Date	Tech (Print and Sign)

Location/Store No. \_\_\_\_\_



**Toll Free Service: 1-866-821-2647**

110-0185

OSS 24

Ft

<b>ATTENTION</b>	<b>ATTENTION</b>	<b>ATENCION</b>
<p><b>KEEP LOAD BALANCED</b></p> <p><b>Lift Weight Capacity:</b> 1200 lbs</p> <p><b>Hook Weight Capacity:</b> 50lbs each</p>	<p><b>RÉPARTIR LA CHARGE</b></p> <p><b>Capacité de levier:</b> 1200 lbs</p> <p><b>Capacité du crochet:</b> 50lbs chacon</p>	<p><b>MANTENGA LA CARGA</b></p> <p><b>EQUILBRADA</b></p> <p><b>Levante la Capacidad del Peso:</b> 1200 libras</p> <p><b>Enganche la Capacidad del Peso:</b> 50 libras cada</p>
 <p><b>Service/Service/Servicio: 1-866-821-2647 Sales/De vente/Ventas: 1-800-210-0141</b></p>		
<p>110-0205</p>		

# GENERAL SAFETY RULES

OSS 36 Ft

<b>ATTENTION</b>	<b>ATTENTION</b>	<b>ATENCION</b>
<b><u>KEEP LOAD BALANCED</u></b> Lift Weight Capacity: 1800 lbs Hook Weight Capacity: 50lbs each	<b><u>RÉPARTIR LA CHARGE</u></b> Capacité de levier: 1800 lbs Capacité du crochet: 50lbs chacon	<b><u>MANTENGA LA CARGA</u></b> <b><u>EQUILBRADA</u></b> Levante la Capacidad del Peso: 1800 libras Enganche la Capacidad del Peso: 50 libras cada
 Service/Service/Servicio: 1-866-821-2647 Sales/De vente/Ventas: 1-800-210-0141		
110-0206		

OSS 42 Ft

<b>ATTENTION</b>	<b>ATTENTION</b>	<b>ATENCION</b>
<b><u>KEEP LOAD BALANCED</u></b> Lift Weight Capacity: 2100 lbs Hook Weight Capacity: 50lbs each	<b><u>RÉPARTIR LA CHARGE</u></b> Capacité de levier: 2100 lbs Capacité du crochet: 50lbs chacon	<b><u>MANTENGA LA CARGA</u></b> <b><u>EQUILBRADA</u></b> Levante la Capacidad del Peso: 2100 libras Enganche la Capacidad del Peso: 50 libras cada
 Service/Service/Servicio: 1-866-821-2647 Sales/De vente/Ventas: 1-800-210-0141		
110-0207		

OSS 48 Ft

<b>ATTENTION</b>	<b>ATTENTION</b>	<b>ATENCION</b>
<b><u>KEEP LOAD BALANCED</u></b> Lift Weight Capacity: 2400 lbs Hook Weight Capacity: 50lbs each	<b><u>RÉPARTIR LA CHARGE</u></b> Capacité de levier: 2400 lbs Capacité du crochet: 50lbs chacon	<b><u>MANTENGA LA CARGA</u></b> <b><u>EQUILBRADA</u></b> Levante la Capacidad del Peso: 2400 libras Enganche la Capacidad del Peso: 50 libras cada
 Service/Service/Servicio: 1-866-821-2647 Sales/De vente/Ventas: 1-800-210-0141		
110-0208		

# **GENERAL SAFETY RULES**

## **Important Notice**

Report damage or faulty operation immediately.

Do not operate a damaged or defective overhead storage system.

If repairs are required, install a tag at the operator's station stating "DO NOT OPERATE" and remove the electrical plug from the power source.

## **Load Capacity**

The lift system is capable of lifting 3000lbs which consists of the merchandise bar and merchandise.

ALWAYS load the merchandise bar uniformly so that the polyester straps carry the same weight throughout the entire bar.

Each hook on the bicycle lift system is designed to carry a maximum of 50 pounds or 23 kilograms.

48' - 2400 lb capacity

42' - 2100 lb capacity

36' - 1800 lb capacity

24' - 1200 lb capacity

The operator must determine whether product load is within the capacity of the lift system before the load is handled.

## **CAUTION**

Uneven weight distribution on the merchandise bar will cause the polyester straps to stretch to differing lengths. Differing strap lengths may cause strap folding and uneven lifting operations.

Pre-Operation Inspection Before using the overhead storage system, make the following checks:

Load is secure on the bar.

Yellow straps are not frayed or twisted.

There are no obstructions to make contact with the load or machine.

The load is within the rated overhead storage system capacity.

Check for any loose nuts and bolts that may have released due to operating vibrations.

# **SAFE OPERATING PROCEDURES**

The following pages contain the overhead storage system's operating procedures. If you experience any difficulties or problems, please refer to the troubleshooting guide in this manual before proceeding any further.

**DO NOT** operate the overhead storage system from any place other than the designated operator's station.

Ensure the area around the overhead storage system is clear before engaging the directional control pads or pendant station. If the store is equipped with more than one overhead storage system, ensure the correct pendant station is selected for the desired unit to be operated.

**ALWAYS** start and stop the operation of the load bar smoothly.

**ALWAYS** watch for side and overhead obstructions.

The overhead storage system is equipped with an electric beeper or buzzer. When the machine is in operation (either lifting or lowering) the buzzer will engage. This will warn people in the area that the machine is being operated.

The overhead storage system is also equipped with upper and lower limit switches. These switches have been pre-set by factory trained installation technicians during the overhead storage system installation process. The electric motor will automatically shut off if the load bar reaches its limit.

Load the machine only with merchandise that it was intended for. The bike lift is intended to lift BICYCLES ONLY. The bicycles must be hung on the hook by either the front or rear tire only. The garment lift is intended to lift GARMENTS ONLY.

In the event the load bar moves faster than it was designed, a mechanical brake will engage and lock the downward travel of the bar. The mechanical brake is installed on the main frame drive shaft. The brake is designed to detect excessive turning speed of the drive shaft and will engage if necessary.

If the mechanical brake should become engaged, a thorough inspection of the machine MUST take place.

ALL parts of the overhead storage system must be inspected as per the Preventative Maintenance checklist included in this manual.

Should the mechanical brake make excessive noise during normal operation, apply grease to the four tips of the spinner.

**DO NOT** activate the machine while performing this procedure.

If the load bar travels above the designed upper limit, an emergency switch will activate and prevent the bar from pulling itself into the main frame structure. This scenario will require a reset of the emergency switch. Should the emergency switch activate, a thorough inspection of the overhead storage system MUST be done before operation can continue. A qualified electrician should perform all electrical repairs.

# TROUBLESHOOTING GUIDE

Problem	Solution
Bike lift will not move up or down and there is no sound when the up or down button is pressed.	<p>Ensure that the upper limit switch is in the ON position (See next two pages).</p> <p>Check the breaker in the building electrical panel (trip all the way off and then all the way on).</p> <p>Check that the unit is plugged in.</p>
Bike lift will not move up or down and there is a humming or buzzing sound when the up or down button is pressed.	<p>Reset the overload protection switch (located on the rectangular box positioned on the side of the motor) by pressing the button firmly (use the handle of a screwdriver).</p> <p>Release brake manually (¼ turn clockwise).</p>
Bike lift makes a chattering and banging noise when moving up or down.	<p>Ensure there is plenty of grease on the rotor and crash brake finger.</p> <p>Check to insure there is a minimum amount of side play in the crash brake support housing.</p> <p>Check that the crash brake finger swings back and forth freely.</p>
Bike lift bar travels up to far, tripping the upper safety limit switch.	<p>Adjust the upper limit switch (See next pages).</p> <p>Inspect the timing chain and sprocket.</p> <p>Check that the load is evenly distributed and that the bike bar is hanging level.</p>
Bike lift runs but stalls before reaching the upper most position.	<p>Check that the unit is not overloaded by removing some bikes.</p> <p>Ensure power supply is adequate.</p> <p>Check the oil level in the gearbox.</p>
Bike lift continues to coast after the down button is released.	<p>Adjust the brake on the motor.</p> <p>Check that the manual brake release button operates freely.</p>



# **ADJUSTMENT GUIDELINES**

## **Adjusting the Upper Limit Safety Shut off Switch**

See pictures on the next page for reference.

Loosen the 2 setscrews and slide the trip rod to the desired position and tighten.

The switch should be set to trip when the highest part of the bike hanger bar is 3" from the closest point of interference, the main frame of the machine or any part of the building.

Adjusting the Upper and Lower Limit Switches:

To adjust the lower limit, turn the top adjuster screw clockwise to lower the limit.

There must be a minimum of TWO(2) LAYERS of strap wrapped on the drive spool at the lowest position of the bar. Please ensure the merchandise does not touch the floor.

To adjust the upper limit, turn the bottom adjuster screw counter-clockwise to raise the upper limit.

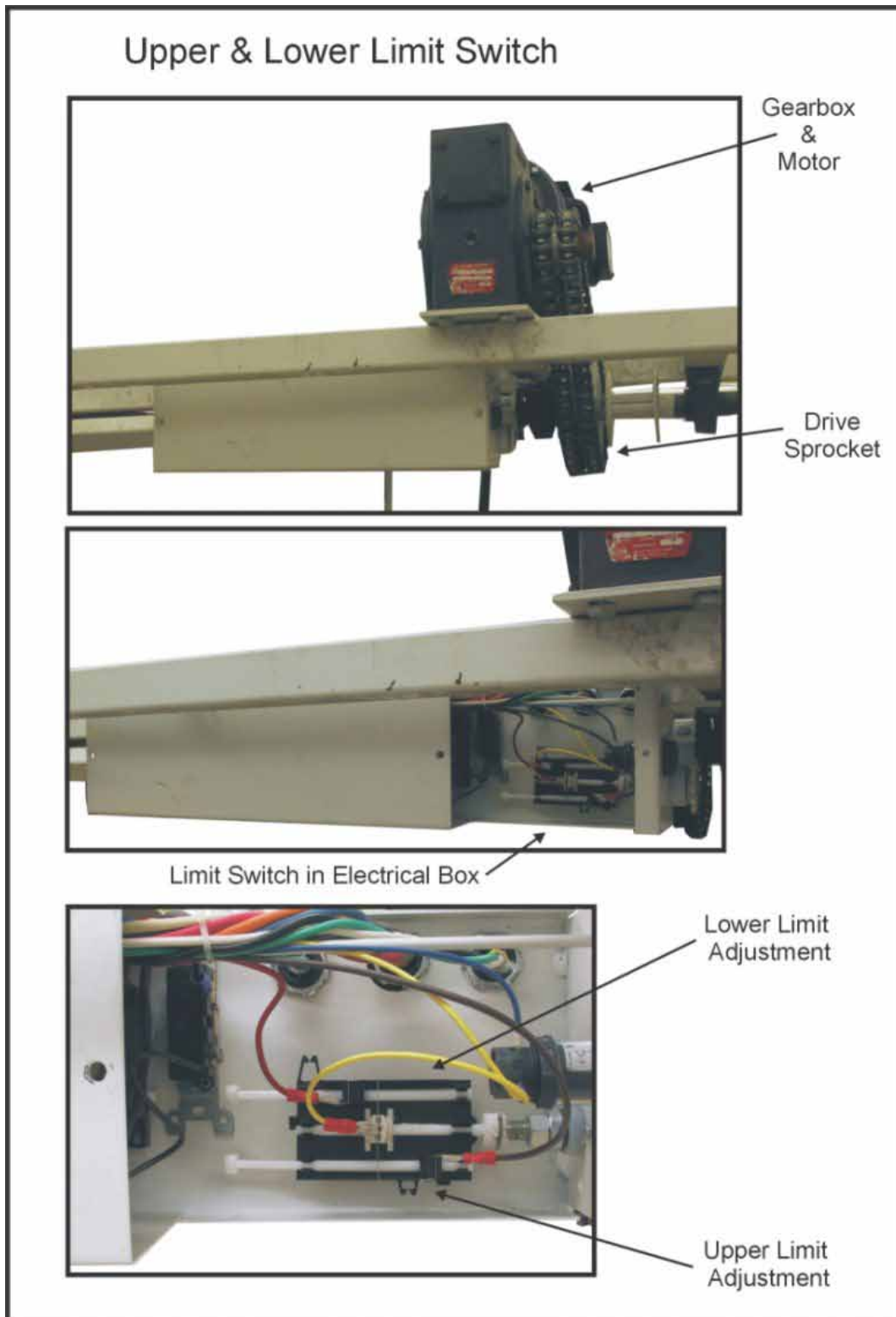
Adjust until the merchandise has a minimum clearance of seven feet from the floor.

Make sure that the hanger bar doesn't interfere with anything when making this adjustment.

Please refer to the back of this manual for a complete parts breakdown.

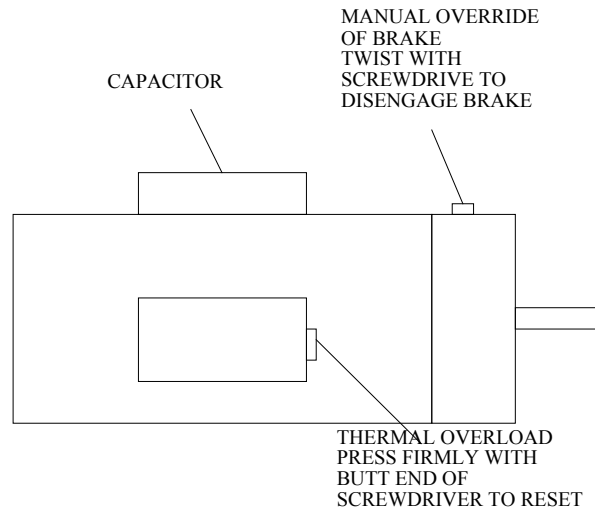
# ADJUSTMENT GUIDELINES

## Adjusting the Upper Limit Safety Shut off Switch

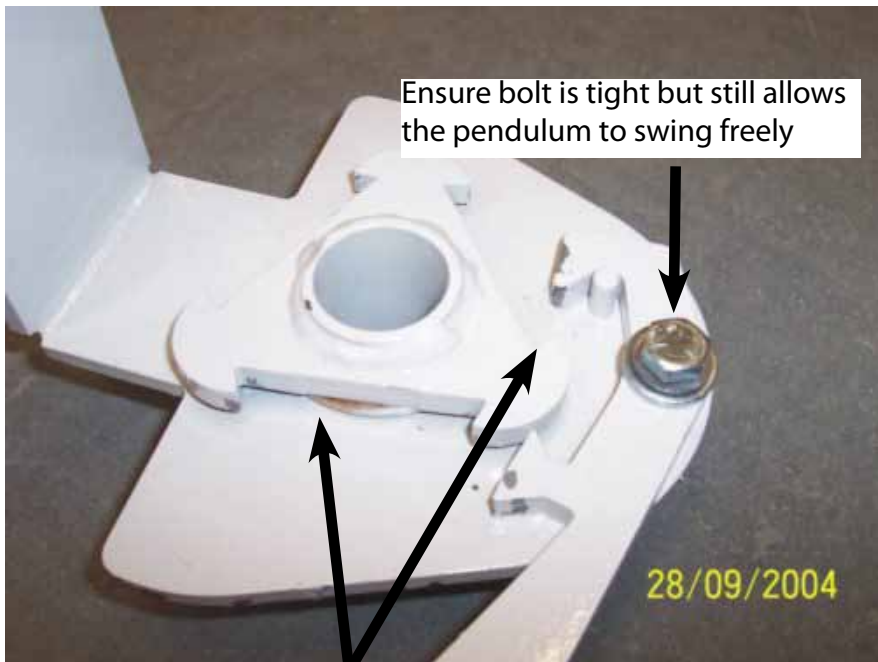


# ADJUSTMENT GUIDELINES

## Motor Test points



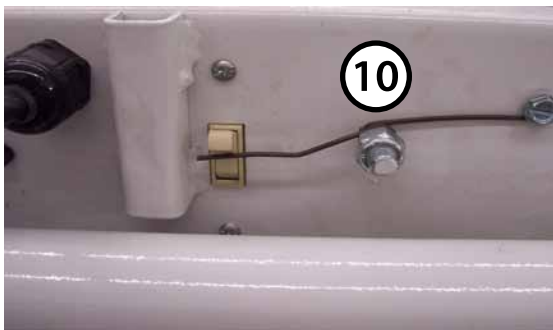
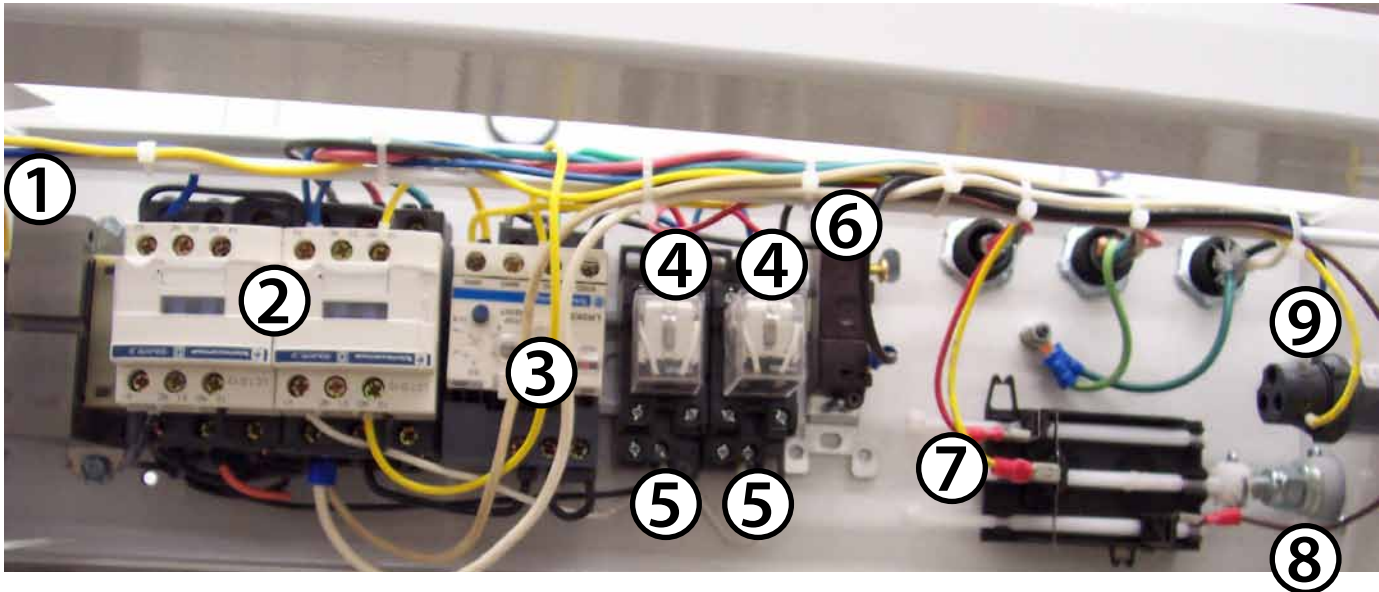
## Crash Brake Preventative Maintenance



To eliminate squeaking apply a lightweight oil to the moving parts

# COMPONENTS

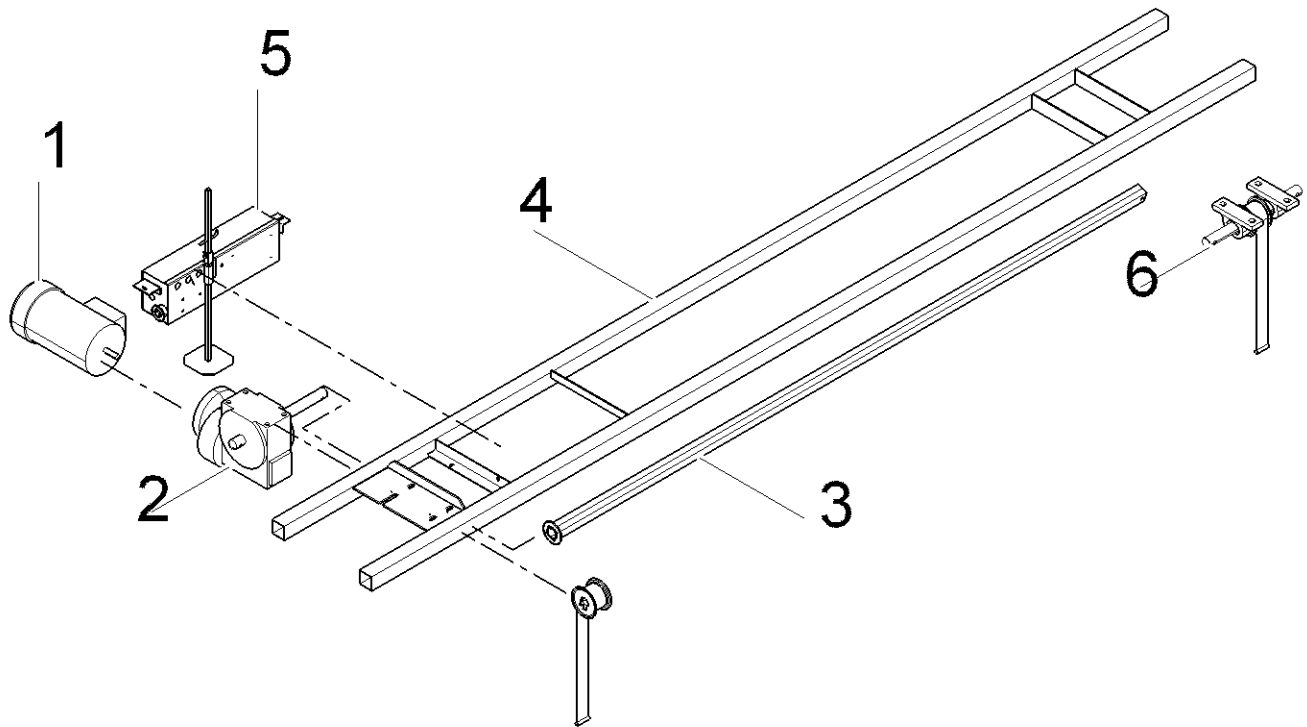
## 24-48 Electrical Components



Item No.	Description	Part No.
1	Transformer 208/240-24V AC 4000-09E0K99	411-0002
2	Double 24V 2 HP contact w/interlock block	409-0077
3	Over-travel relay	409-0079
4	Relay Ice Cube 24 V AC	409-0020
5	Relay Ice Cube base only #PTF08A-E	409-0022
6	Over-travel trip switch	410-0091
7	Switch limit worm gear - 2 N.O. contact	5-70273
8	OSS limit switch drive complete	5-44375
9	Beeper 24V	410-0120
10	OSS Upper Limit Switch Spring	119-0063
11	Pendant Station with Cord	410-0083
	Pendant Station only	410-0010

# COMPONENTS

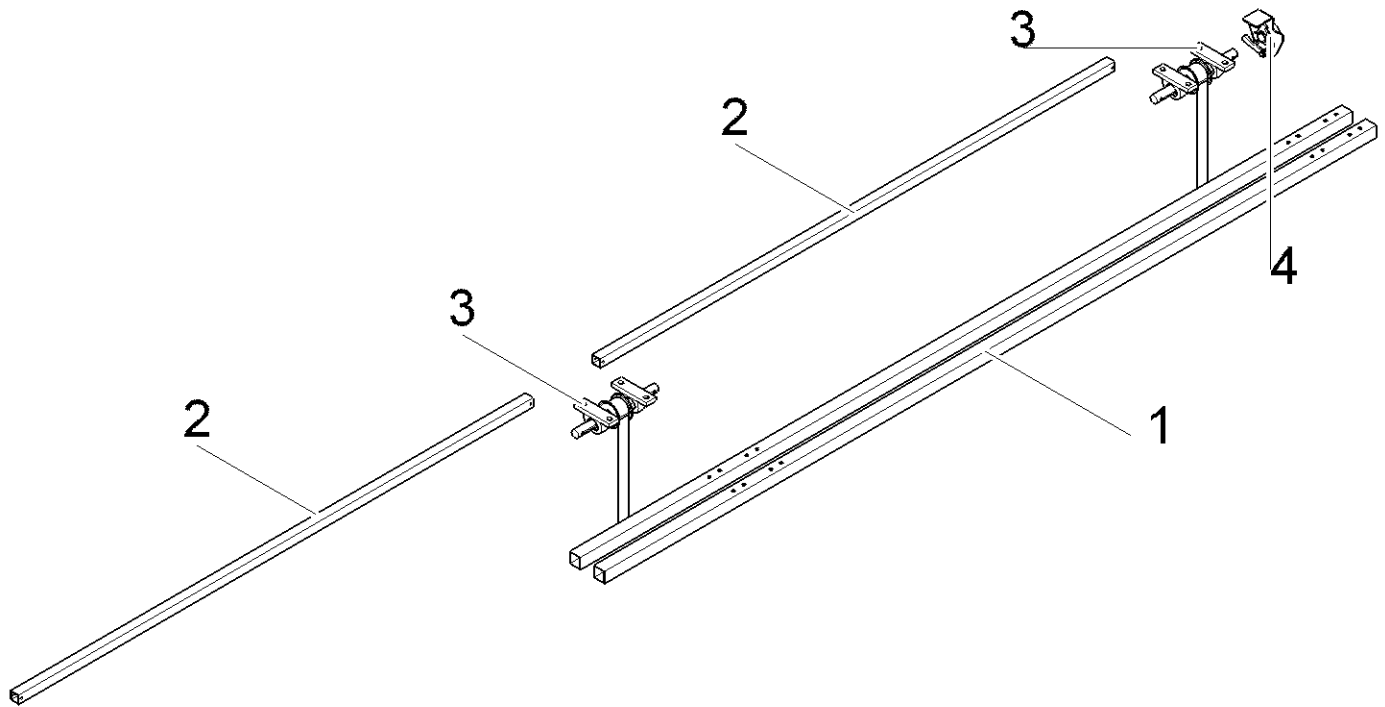
## Center Assembly



Item No.	Description	Part No.
1	Motor 2HP w/Brake, Auto Reset, 208V	407-0020
2	Gearbox 50:1 ratio (chain drive style)	107-0002
2	Gearbox 100:1 ratio (direct drive style)	107-0031
3	Coupler Tube 96 w/Timing Sprocket	5-1820
4	Centre Frame Weld	5-1900
5	Electrical Box Asmb	5-44376
6	Spool Belt Asmb	5-44370
	OSS Timing Chain #35	105-0026
	OSS Drive Chain	105-0011
	Connector Link #35	105-0034
	Paint Enamel White 3.78L	300-0107

# COMPONENTS

## End Section

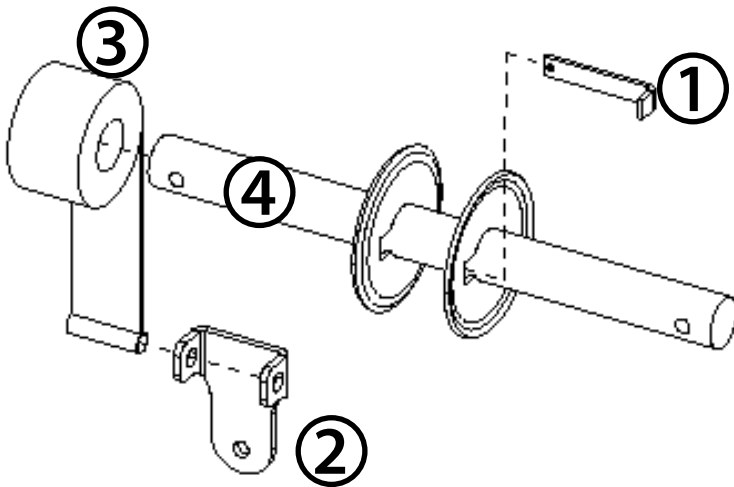


Item No.	Description	Part No.
1	Wing Frame	5-1010
2	Coupler Tube 1-1/2" round x 96"	5-50364
	Drive Shaft 1-1/2" x 25-1/2"	5-50323
3	Spool Belt Asmb	5-44370
4	Wing Brake (Crash Brake)	5-3180

# COMPONENTS

## 5-1790-A01 Drive Spool/Sprocket Assembly

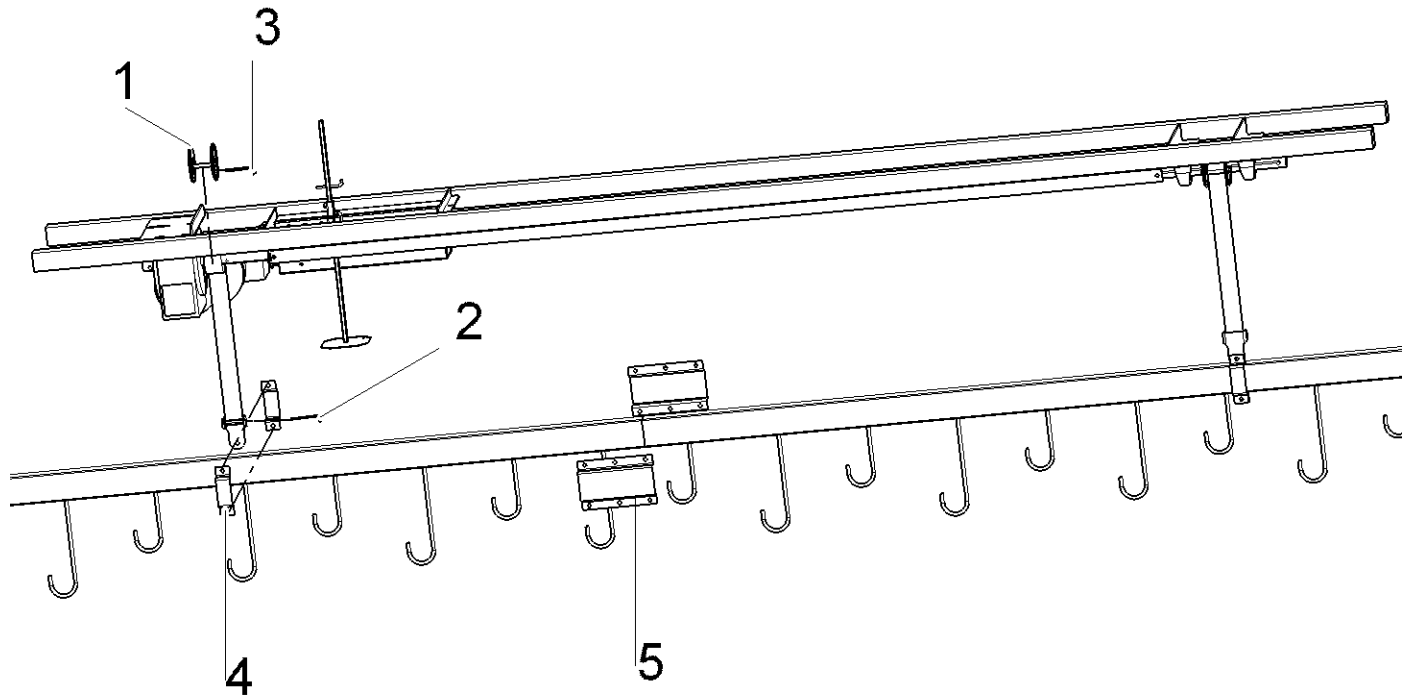
Includes:



1.....	St rap pin with threaded hole.....	5-1470-P01
	1----002-0017 screw (1/4"x 1/2")	
	1----004-0020 nut (1/4")	
2.....	Strap buckle .....	5-1870-P01
	1----001-0138 hex bolt (7/16" x 4")	
	2----004-0024 nut (7/16")	
3.....	Polyester strap (2"x 10').....	111-0020
	Polyester strap (2"x 12').....	111-0018
	Polyester strap (2"x 14').....	111-0019
4.....	Spool weldment .....	5-1780
5.....	Safety cable spool (half) .....	5-45371
6.....	Safety cable .....	400-0031
7.....	Safety cable kit (for 48' OSS) .....	111-0238
	Bolt 3/8" X 1" bolt(5).....	001-0114
	Bolt 3/8" x 2" full thread bolt(5) .....	001-0119
	Bolt 5/16" x 2" carriage bolt(10) .....	001-0034
	1/8" Cable 11' 8"(5) .....	400-0031
	1/8" cable clamps (10) .....	111-0236
	2 hole hat channel(10).....	5-1370-P01
	3/8" flange nut(10).....	004-0015
	5/16" flange nut (15) .....	004-0014
	Half Spool (10) .....	111-0237
	Spring (5).....	119-0048
	5/16" Flat Washer (5).....	003-0006

# COMPONENTS

## Bike Bar Joiner & Spool Parts

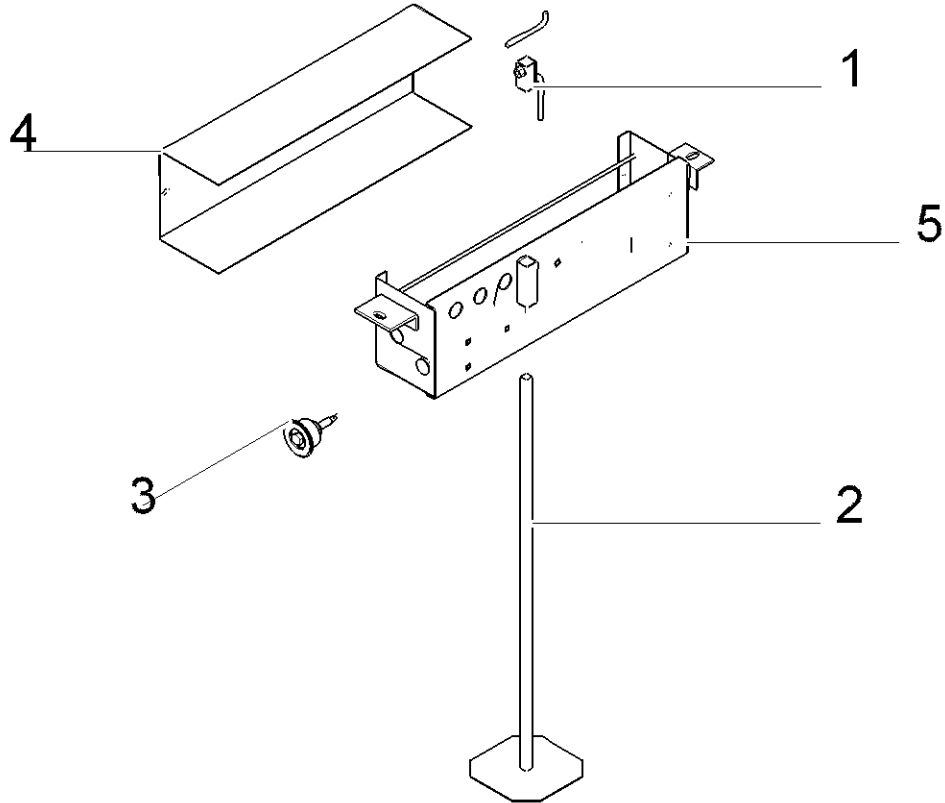


Item No.	Description	Part No.
1	Drive Spool (for direct drive)	5-1791
2	Strap Pin (for direct drive gearbox)	5-58662
3	OSS Spool Belt Pin	5-1470
4	Bike Hanger Buckle Clamp Asmb (requires 2- 3/8" Flange nut - 004-0015 and 2- 3/8" x 1" Bolts - 001-0114)	5-1700
5	Bike Hanger 3 Hole Connector	5-1360
	OSS Bike Retainer Asmb (see page 19)	5-59881



# COMPONENTS

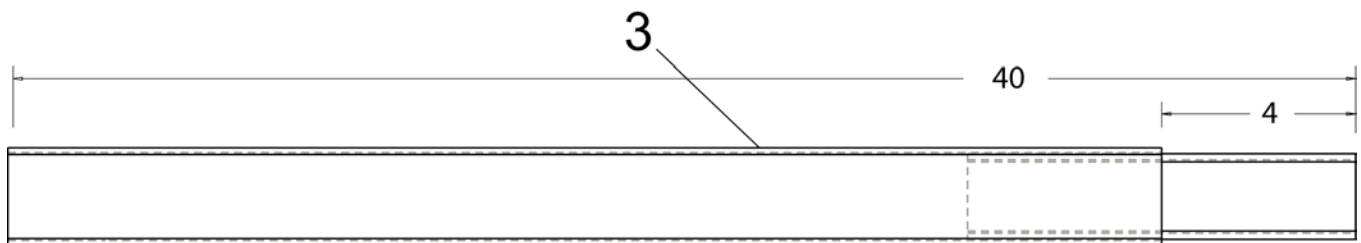
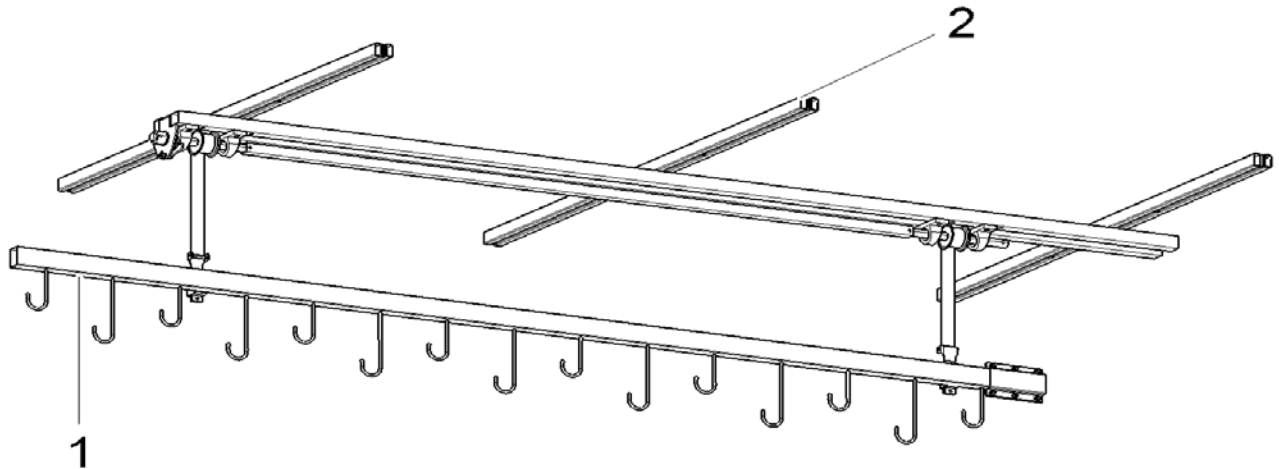
## Electrical Box Assembly



Item No.	Description	Part No.
1	Emergency Limit Switch Finger – Round Emergency Limit Switch Finger – Square	5-53243 5-1920
2	Emergency Limit Switch Slider – Round Emergency Limit Switch Slider – Square	5-53242 5-1930
3	Limit Switch Drive Asmb	5-44375
4	Electrical Box Cover	5-1130
5	OSS Electrical Box	5-50618

# COMPONENTS

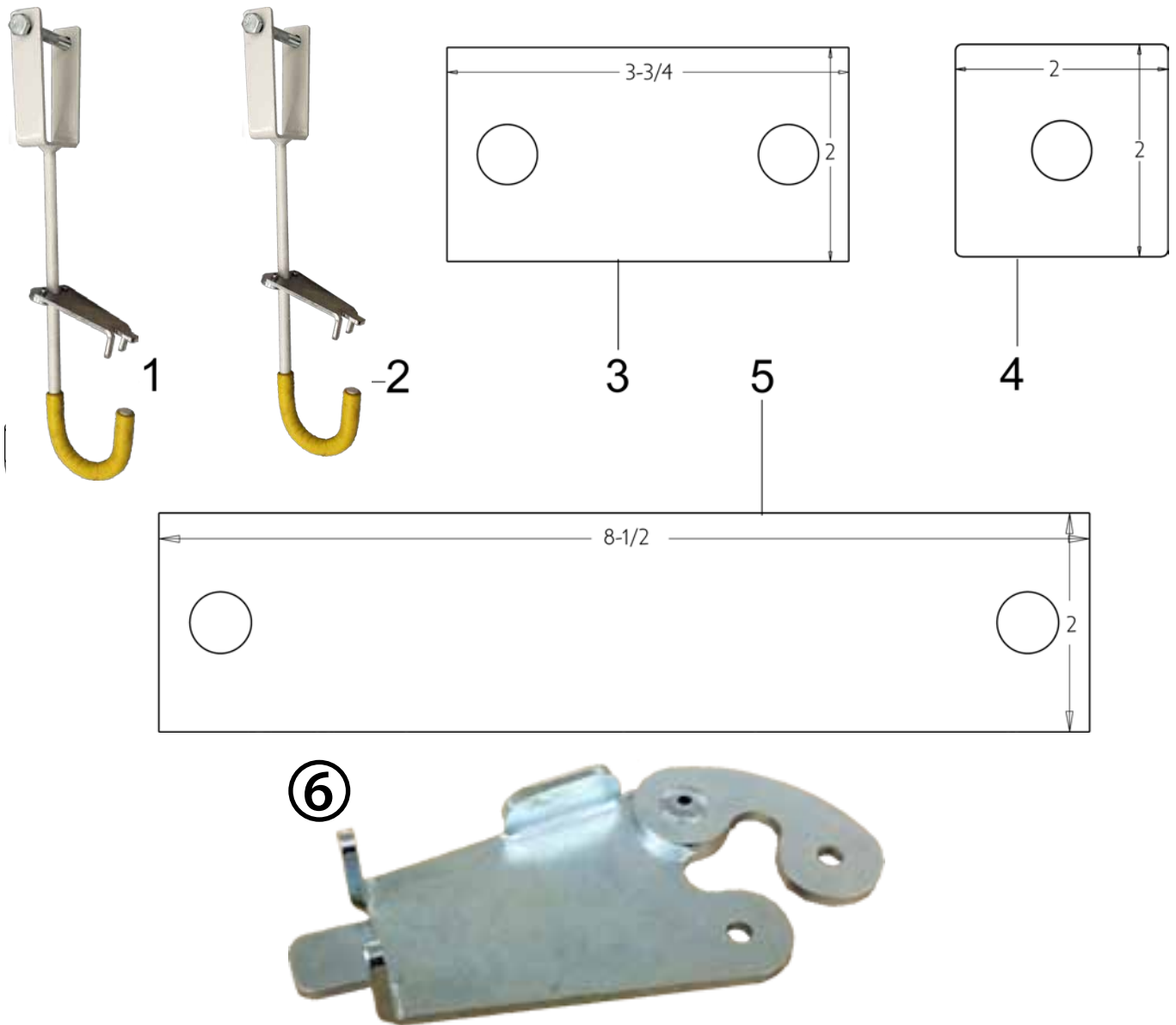
## Hook Bar & Mounting Options



Item No.	Description	Part No.
1	12ft. Bike Bar (Long Hook- Short Hook)	5-1680
	12ft. Bike Bar (Short Hook- Long Hook)	5-1685
2	Rafter 1 x 2, 84" Long	5-44390
	Rafter 1 x 2, 96" long	5-79785
3	Frame Extension Tube	5-52981

# COMPONENTS

## Hook Bar & Mounting Options



Item No.	Description	Part No.
1	Hook Replacement Long	5-56957
2	Hook Replacement Short	5-56958
3	Mounting Flat (2" x 3-3/4")	5-4100
4	Slider Square Washer	2-45153
5	Mounting Flat (2" x 8-1/2")	5-4110
	Mounting Flat 4 (2" x 11") –not shown	5-48302
6	OSS Bike retainer assembly	5-59881
	OSS wing connector flat 2 x 11.75" (not shown)	5-61919

# COMPONENTS

## Decals

**Overhead Storage System Annual Inspection**

Note: Annual inspection is required to ensure safe operation of the unit.

Date	Tech (Print and Sign)

Location/Store No. \_\_\_\_\_

**Toll Free Service: 1-866-821-2647**  
110-0185

1-

ATTENTION	ATTENTION	ATENCIÓN
<b>KEEP LOAD BALANCED</b> Lift Weight Capacity: 1200 lbs Hook Weight Capacity: 50lbs each	<b>RÉPARTIR LA CHARGE</b> Capacité de levier: 1200 lbs Capacité du crochet: 50lbs chacon	<b>MANTENGA LA CARGA EQUILBRADA</b> Levante la Capacidad del Peso: 1200 libras Enganche la Capacidad del Peso: 50 libras cada
Service/Service/Servicio: 1-866-821-2647 Sales/De vente/Ventas: 1-800-210-0141		

110-0205

2-

ATTENTION	ATTENTION	ATENCIÓN
<b>KEEP LOAD BALANCED</b> Lift Weight Capacity: 1800 lbs Hook Weight Capacity: 50lbs each	<b>RÉPARTIR LA CHARGE</b> Capacité de levier: 1800 lbs Capacité du crochet: 50lbs chacon	<b>MANTENGA LA CARGA EQUILBRADA</b> Levante la Capacidad del Peso: 1800 libras Enganche la Capacidad del Peso: 50 libras cada
Service/Service/Servicio: 1-866-821-2647 Sales/De vente/Ventas: 1-800-210-0141		

110-0206

3-

ATTENTION	ATTENTION	ATENCIÓN
<b>KEEP LOAD BALANCED</b> Lift Weight Capacity: 2100 lbs Hook Weight Capacity: 50lbs each	<b>RÉPARTIR LA CHARGE</b> Capacité de levier: 2100 lbs Capacité du crochet: 50lbs chacon	<b>MANTENGA LA CARGA EQUILBRADA</b> Levante la Capacidad del Peso: 2100 libras Enganche la Capacidad del Peso: 50 libras cada
Service/Service/Servicio: 1-866-821-2647 Sales/De vente/Ventas: 1-800-210-0141		

110-0207

4-

ATTENTION	ATTENTION	ATENCIÓN
<b>KEEP LOAD BALANCED</b> Lift Weight Capacity: 2400 lbs Hook Weight Capacity: 50lbs each	<b>RÉPARTIR LA CHARGE</b> Capacité de levier: 2400 lbs Capacité du crochet: 50lbs chacon	<b>MANTENGA LA CARGA EQUILBRADA</b> Levante la Capacidad del Peso: 2400 libras Enganche la Capacidad del Peso: 50 libras cada
Service/Service/Servicio: 1-866-821-2647 Sales/De vente/Ventas: 1-800-210-0141		

110-0208

5-

RELEASE DOWN BUTTON IMMEDIATELY  
**CAUTION**  
AFTER CARRIER STOPS DESCENDING!!

DO NOT OPERATE  
IF BLACK BUTTON MAKES CARRIER GO UP  
(FAILURE TO COMPLY MAY VOID WARRANTY)

6-

**Overhead Storage System - 24-48'**  
TROUBLE SHOOTING GUIDE

Problem	Solution
Carrier will not move up or down and there is no load when the up or down button is pressed.	1. Ensure the upper safety switch is in the ON position (see service bulletin). 2. Check the fuse on the supply electrical panel (tip of the way out and then all the way out). 3. Check the cable is attached to the carrier.
Carrier will not move up or down and there is a humming or buzzing sound when the up or down button is pressed.	1. Test the overload protection switch (located on the redtagging bar positioned on the side of the motor) by pressing the button firmly (use the handle or a screwdriver). 2. Release brake manually (3x turn clockwise).
System makes a chattering/clanging noise when moving up or down.	1. Ensure there is plenty of grease on the roller and crutch brake rings. 2. Check to insure there is a minimum amount of side play in the wheel brake support housing. 3. Check that the crutch brake finger swings back and forth freely.
Carrier travels up in 1/2 hr. before the upper safety limit switch.	1. Adjust the upper limit switch (see service bulletin) against the timing chain and sprocket. 2. Check that the ball is evenly distributed and that the carrier is hanging level.
System runs but stops before reaching the upper recall position.	1. Check if coil is unbalanced by removing some product. 2. Ensure power supply is adequate. 3. Check the level of the grease.
Carrier continues to climb after the down button is released.	1. Adjust the brake on the motor. 2. Check that the manual brake release button operates freely.

110-0162

7-

ATTENTION	ATTENTION	ATENCIÓN
<b>KEEP LOAD BALANCED</b> Lift Weight Capacity: 600 lbs Hook Weight Capacity: 50lbs each	<b>RÉPARTIR LA CHARGE</b> Capacité de levier: 600 lbs Capacité du crochet: 50lbs chacon	<b>MANTENGA LA CARGA EQUILBRADA</b> Levante la Capacidad del Peso: 600 libras Enganche la Capacidad del Peso: 50 libras cada
Service/Service/Servicio: 1-866-821-2647 Sales/De vente/Ventas: 1-800-210-0141		

110-0204

Item No.	Description	Part No.
1	Decal OSS Annual Inspection	110-0185
2	Decal OSS 24ft Lift Capacity 1200lbs	110-0205
3	Decal OSS 36ft Lift Capacity 1800lbs	110-0206
4	Decal OSS 42ft Lift Capacity 2100lbs	110-0207
5	Decal OSS 48ft Lift Capacity 2400lbs	110-0208
6	Decal Troubleshooting guide 24-48ft	110-0162
7	Decal OSS 12ft Lift Capacity 600 Lb	110-0204

# VIDIR OSS Preventative Maintenance Checklist

Company	City	Province	Date of Service:
Store No.	Serial No.	Model/Type	
Service Company:		Store Signoff:(Print)	
Service Technician (Print):		Store Title:	
Service Tech Signature:		Store Signature:	

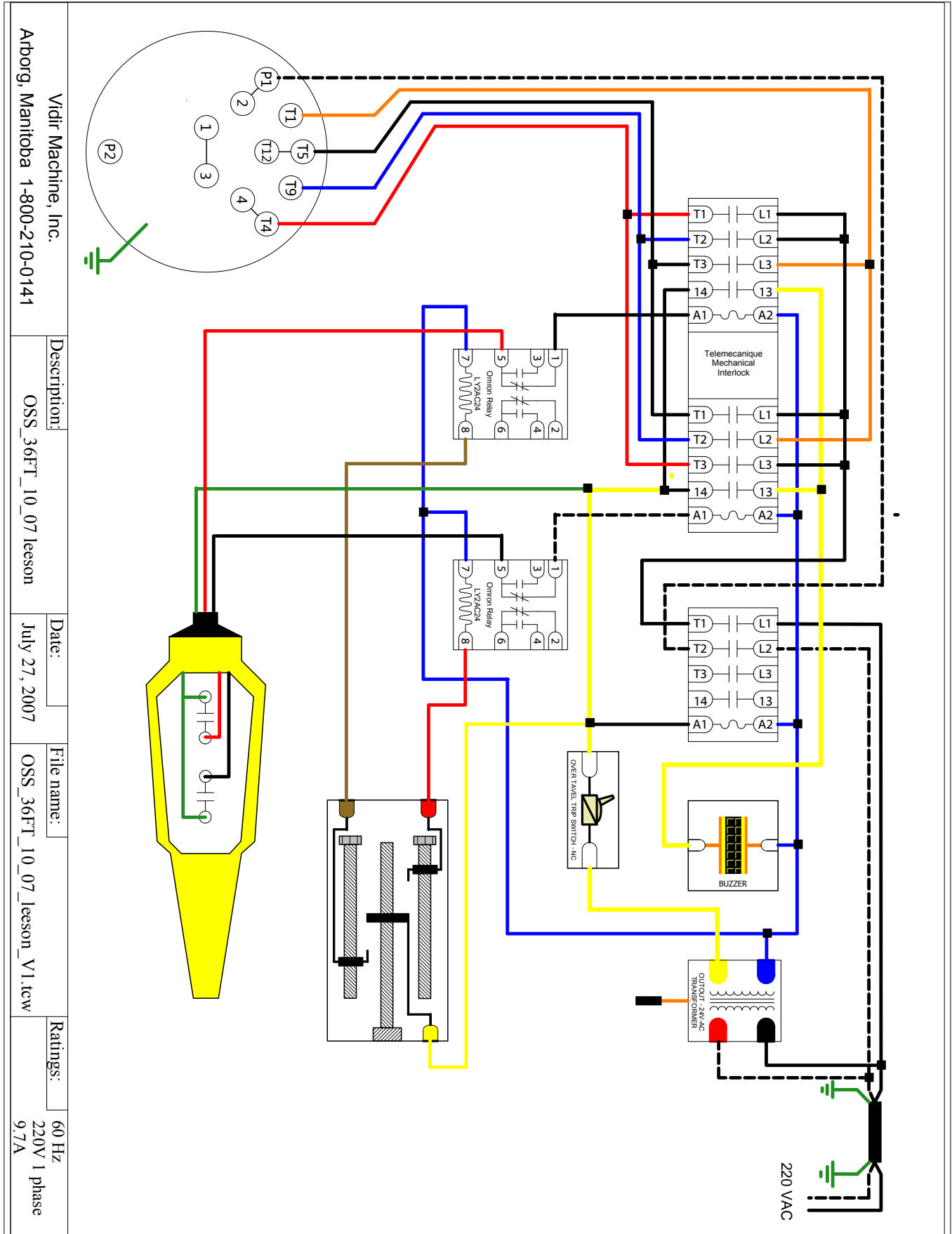
**Preventative Maintenance is Recommended Every 100 hours or 12 months.** The inspection of all hooks, bolts, pins, mounting hardware, chains and the overall condition of these components are critical to ensure machine safety, and integrity of the preventative maintenance process. Initialling each line as indicated below confirms these items have been thoroughly inspected for defects.

✓ Indicates item is inspected and in good condition - ✗ Indicates item requires additional service	Service	Initials
<b>Mechanical Inspection</b>		
Inspect motor/gearbox mounting bolts, ensure they are secure.		
Check key and set screws on drive sprockets.		
Visually inspect all fasteners for damage and general condition. Tighten if loose.		
Check drive bolts, crown nuts and cotter pins.		
Check alignment and operation of sprockets and chains, if applicable.		
Inspect double drive chain for tension and adjust as required, if applicable.		
Inspect drive shafts (Should be in good condition, not twisted or bolt holes elongated).		
Inspect and grease mechanical brake spinner (Should swing freely but no side play).		
Inspect all bearings.		
<b>Visual Inspection of Safety and Limit Components</b>		
Check emergency cut out switch (Make sure it is active and not bypassed).		
Check upper and lower limit switch for wear and alignment (Inside electrical box).		
Adjust upper and lower limits if so desired by the store (Should not be lower than 6' to bottom of hook with a minimum of 2 wraps of strap left on the spool).		
Inspect upper and lower limit switch drive chain for tension and alignment.		
<b>Visual Inspection, General Operating Conditions</b>		
Ensure all electrical cords are in good condition.		
Bottom of pendant control at 52" (1.3m) from the floor. <b>Should not hang directly under product bar.</b>		
Check pendant control switches for proper operation and condition.		
Visually inspect all bicycle hooks. Check for straightness and cracking.		
Visually inspect general condition of all garment bars, ensuring end caps are in place.		
Bike hanger bars should not be separated at the clamps (12' joints, view through joiner gap).		
Ensure load straps are not twisted, frayed or folded. Please arrange to replace frayed straps.		
Ensure load straps on bottom bar are aligned with spools on top bar to prevent fold over.		
Adjust clamps if necessary.		

**Conclusion:** This unit has been inspected and serviced for safe operation and is operating as intended by the manufacturer.

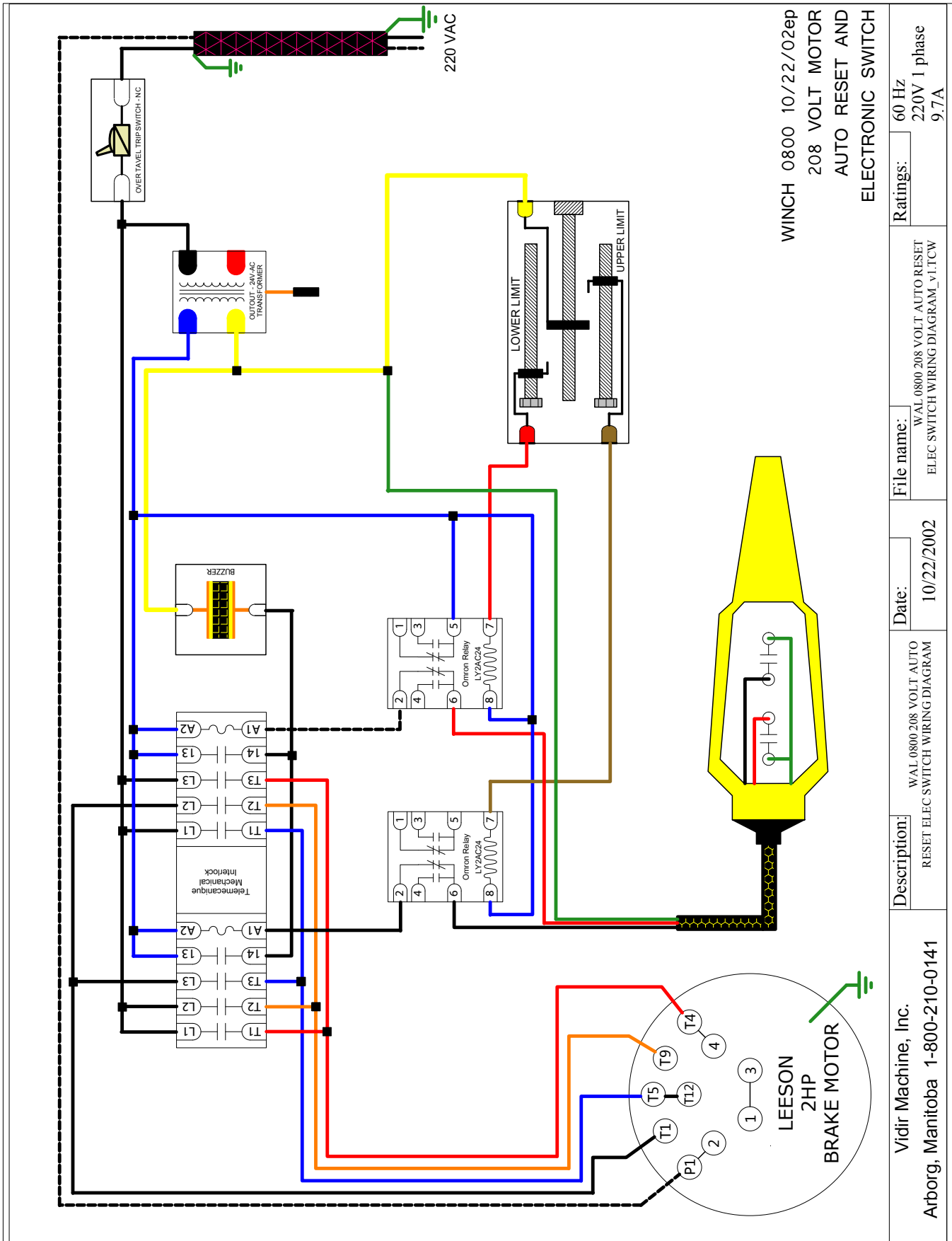
Comments and Parts Used (If any): \_\_\_\_\_  
 \_\_\_\_\_  
 \_\_\_\_\_  
 \_\_\_\_\_

# WIRING SCHEMATIC

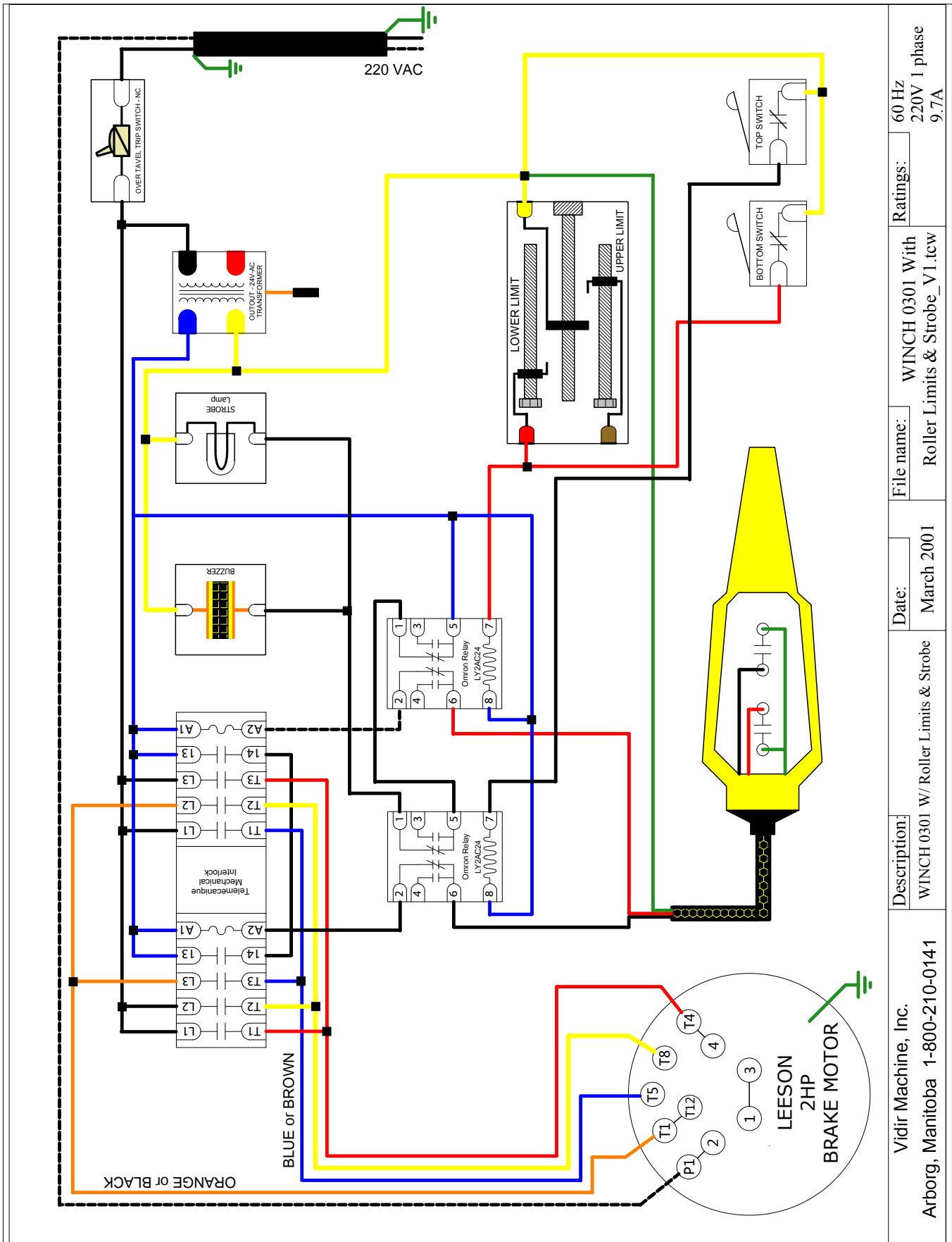


Vidir Machine, Inc. Arborg, Manitoba 1-800-210-0141	Description: OSS_36FT_10_07 leeson	Date: July 27, 2007	File name: OSS_36FT_10_07_leeson_V1.rcw	Ratings: 60 Hz 220V 1 phase 9.7A
--	---------------------------------------	------------------------	--	---

# WIRING SCHEMATIC

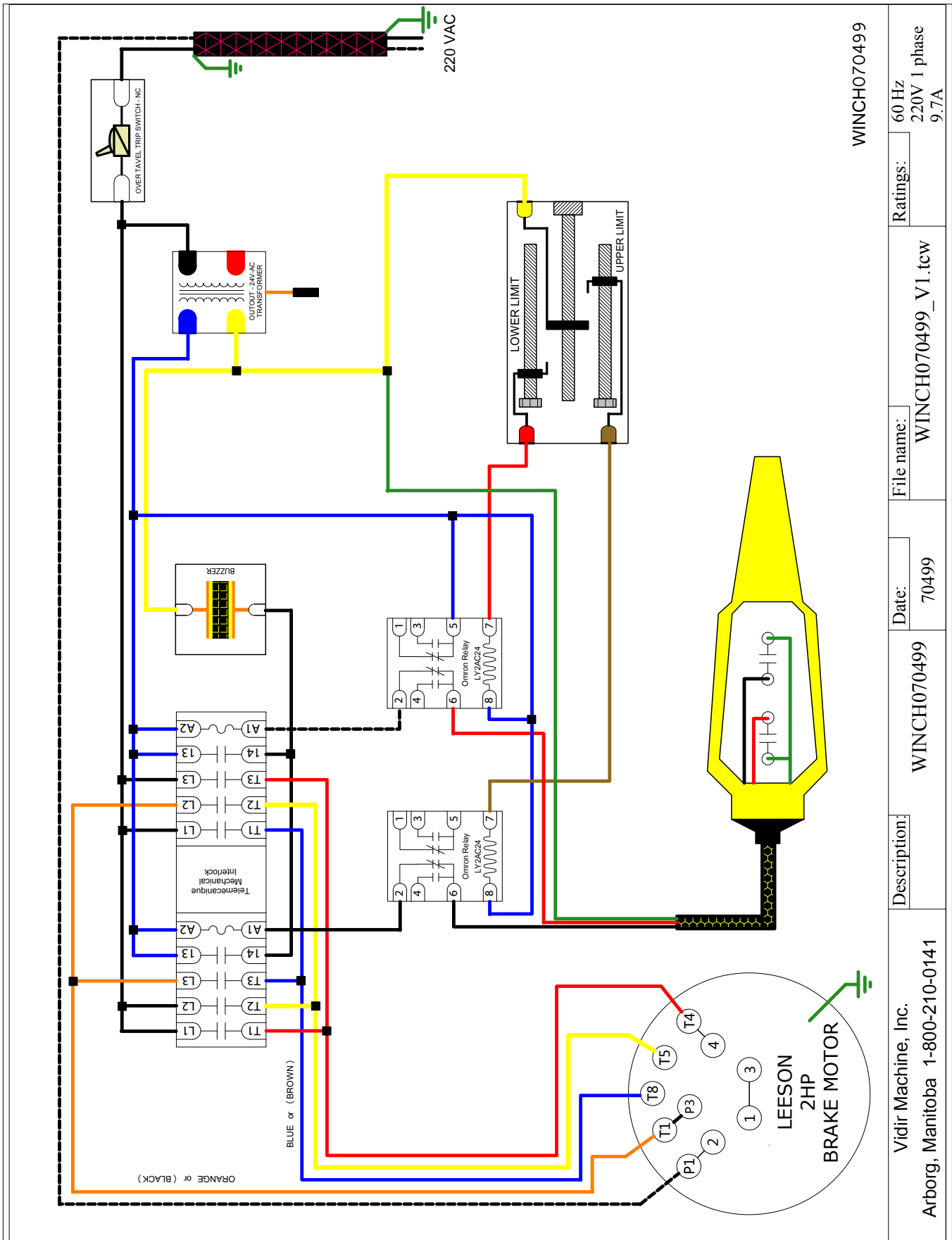


# WIRING SCHEMATIC





# WIRING SCHEMATIC



WINCH070499

Ratings: 60 Hz  
 220V 1 phase  
 9.7A

File name: WINCH070499\_V1.tcw

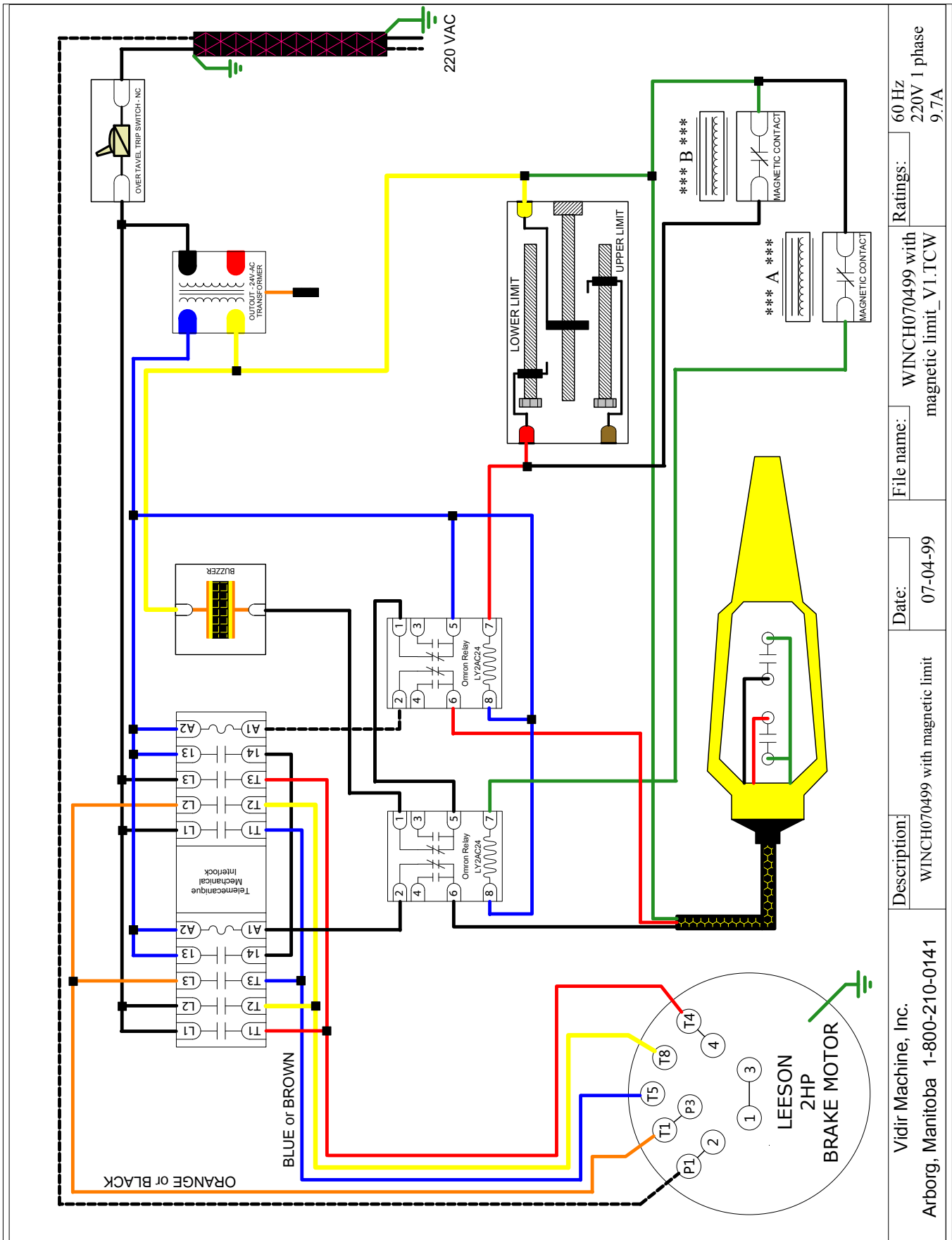
Date: 70499

Description: WINCH070499

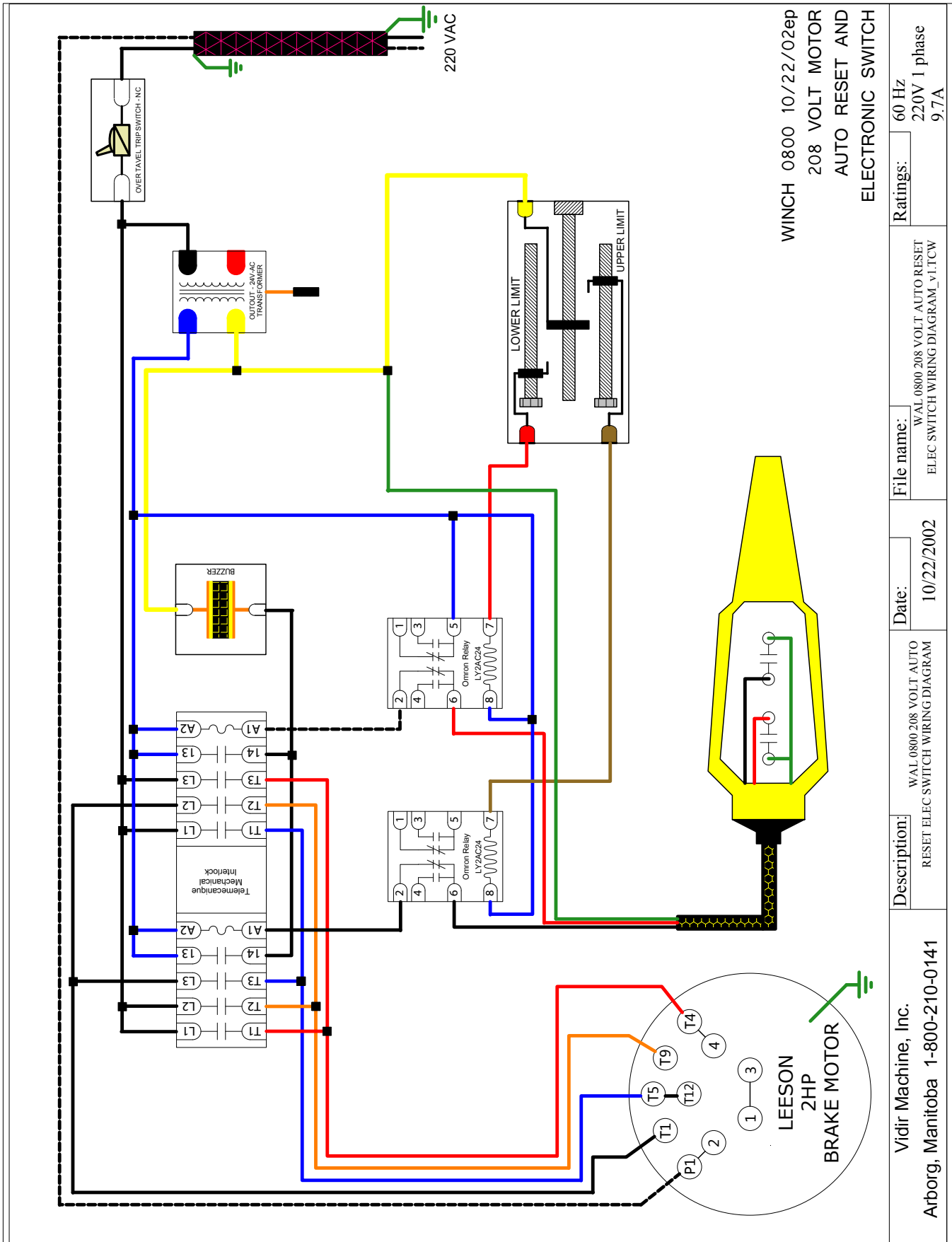
Vidir Machine, Inc.

Arborg, Manitoba 1-800-210-0141

# WIRING SCHEMATIC



# WIRING SCHEMATIC



# **WARRANTY & LIABILITY**

## **Vidir Machine Inc. Warranty Agreement and Limitation of Liability**

1. Vidir Machine Inc. ("Vidir") warrants solely that the equipment shall be free from any defect due to faulty workmanship or material deficiency at the time of delivery to the buyer thereof (the "Buyer") and for a period of one year therefrom.
2. All work except minor repairs or adjustments to the equipment furnished on an emergency basis, will be performed during regular working hours. If the Buyer requests that repair work be performed outside of regular working hours, it is the responsibility of the Buyer to pay the difference between regular and premium labour rates at the then standard hourly billing rate.
3. This warranty shall be voided by any modifications to the equipment or any use of the equipment for any purpose other than that for which it was specifically intended.
4. This warranty is the only warranty made by Vidir. The Buyer hereby expressly waives any obligations or liability, including liability for loss or damages due directly or indirectly, any obligations including, without limitation, loss of use, revenue, or profit, shipping and handling, and injury to person or property.
5. It is the responsibility of Buyer to know, understand and comply with the work and safety laws and regulations in effect and governing Buyer's use of the equipment. To the extent governing law requires inspections, records keeping and/or after-purchase modifications to the equipment, it is the responsibility of the Buyer to arrange for and comply with such requirements and any associated costs are the sole responsibility of the Buyer. Vidir assumes no responsibility or liability for Buyer's performance under or compliance with such laws and regulations.
6. If the equipment is found by the Buyer to be defective, the Buyer must notify Vidir within a period of 30 days of discovery of the defect.
7. The Buyer is expected to provide access to all equipment covered by this warranty. Vidir shall not be responsible for any expense incurred in removing, replacing, or refinishing any part of the building structure necessary for the performance of Vidir's obligations under this warranty.
8. In the event that any alterations, additions, adjustments or repairs are made by others without Vidir's prior written consent, Vidir may, at its option, immediately terminate this warranty by providing written notice to the Buyer.
9. In the event Vidir is required to make emergency calls, repairs and/or replacements under this warranty occasioned by the Buyer or any user's negligence, improper operation or misuse of the equipment or by fire, explosion, flooding, the elements, strikes, labour troubles, vandalism, riots or civil commotion, or by any cause beyond Vidir's control. The Buyer shall reimburse Vidir for such emergency calls, repairs and/or replacements in accordance with the then current rates for such services.
10. Vidir's liability for injury to persons or property shall, in any event, be limited to that caused directly by its negligence. Vidir shall not be liable, however, on any account, for any damage or loss to the Buyer or its dealers, representatives, affiliates or agents resulting from business interruption, inconvenience, loss of profits, or special or, indirect or consequential damage. Vidir shall not be deemed to guarantee or warrant the continuing operation or operating efficiency of the equipment covered, nor shall Vidir be liable for any breakdowns thereof or for any damage to any other property of the Buyer not covered by this warranty but resulting from any breakdowns in or operating mishaps of the equipment covered.
11. Should any payment due by the Buyer become thirty days or more delinquent, Vidir may terminate this warranty by written notice, and all moneys owed Vidir shall be immediately payable on demand.
12. This warranty is not transferable or assignable by the Buyer.
13. Vidir reserves the right to determine, in its sole and absolute discretion the best means and methods to be employed for any corrective or repair work deemed necessary by Vidir pursuant to this warranty.