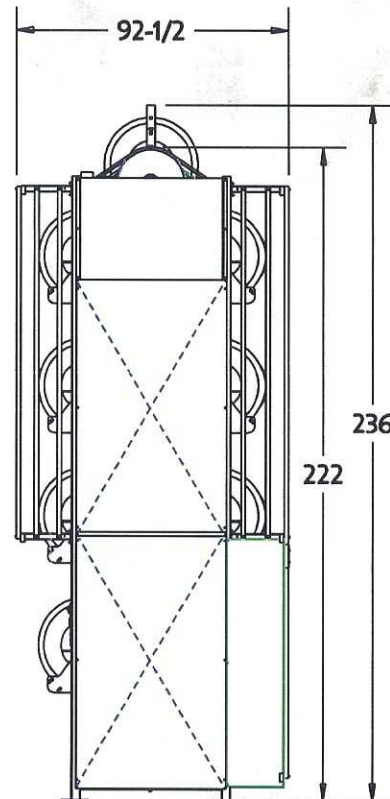
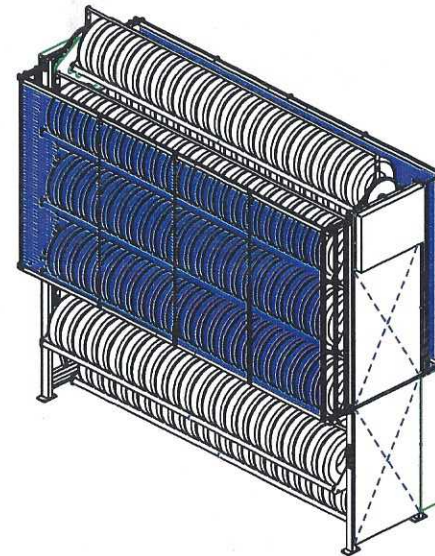


FRONT VIEW



RIGHT SIDE VIEW



ISOMETRIC VIEW

MAXIMUM MACHINE CAPACITY: 13000LBS

MAXIMUM TIRE DIAMETER: 32"

ELECTRICAL: 208 VOLTS 3 PH 15 AMP BREAKER

MOTOR INFO: 2 X 15 HP

VIDIR MACHINE INC.
 BOX 700
 ARBORG, MANITOBA
 CANADA
 ROCOAO
 1-800-210-0141

TIRE CAROUSEL - T45222-1044-18

This and all associated drawings, designs and illustrations are the property of Vidir Machine Inc. The contents are confidential and are not to be reproduced or copied in whole or in part or used or disclosed to others except as authorized by Vidir Machine Inc.

Dimensions in INCHES, rounded to nearest 1/2 INCH unless specified

Dwg. Rev. -

Rev'd by: -

Drawn by: CH

Drawing Date: 20-Jan-11

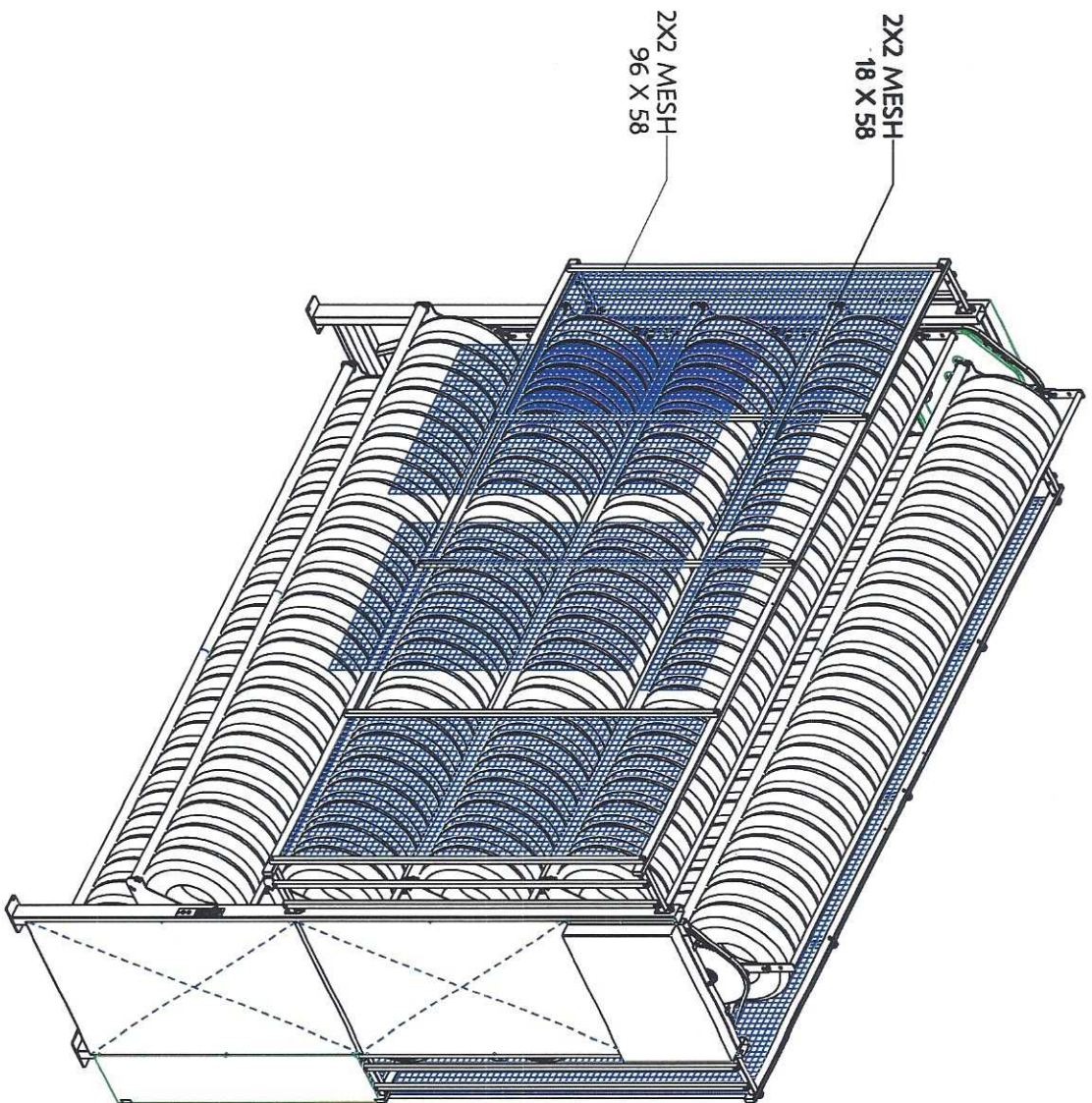
Eng Item no: 2-62915

For additional information please contact a VIDIR sales representative 1-800-210-0141 www.vidir.com

PAGE: 1 of 4

Date: 20-Jan-11

KEENAN



VIDIR MACHINE INC.

BOX 700
 ARBORG, MANITOBA
 CANADA
 ROCOAO
 1-800-210-0141

FRONT MESH DETAIL

Drawn by: BR
 Drawing Date: 20-Jan-11
 Eng Item no: 2-62915

This and all associated drawings, designs and illustrations are the property of Vidir Machine Inc. The contents are confidential and are not to be reproduced or copied in whole or in part or used or disclosed to others except as authorized by Vidir Machine Inc.

For additional information please contact a VIDIR sales representative 1-800-210-0141
www.vidir.com

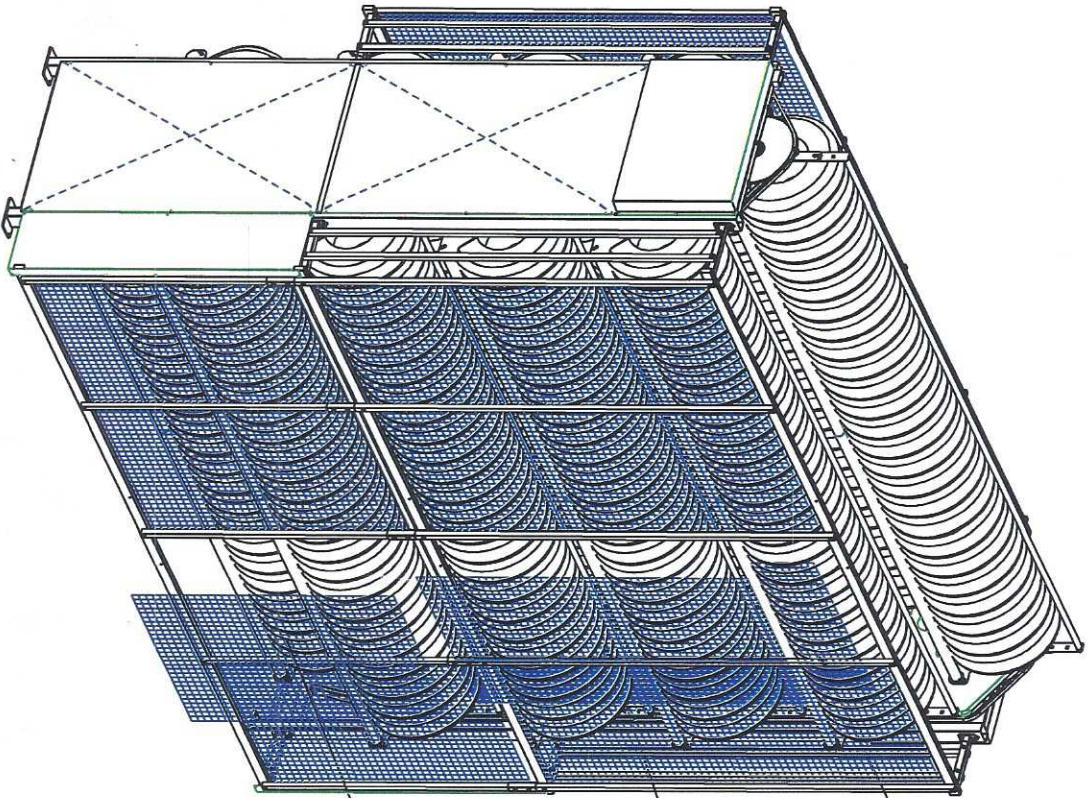
Dimensions in INCHES, rounded to nearest 1/2 INCH unless specified

PAGE 2 of 4

Dwg. Rev.

Rev'd by:

Date: 20-Jan-11



2X2 MESH
18 X 58

2X2 MESH
96 X 58

2X2 MESH
76 X 58

VIDIR MACHINE INC.

BOX 700
ARBORG, MANITOBA
CANADA
ROCCOAO
1-800-210-0141

REAR MESH DETAIL

Drawn by:
BR

Drawing Date:
20-Jan-11

Eng Item no:
2-62915

This and all associated drawings, designs and illustrations are the property of Vidir Machine Inc. The contents are confidential and are not to be reproduced or copied in whole or in part or used or disclosed to others except as authorized by Vidir Machine Inc.

For additional information please contact a VIDIR sales representative 1-800-210-0141
www.vidir.com

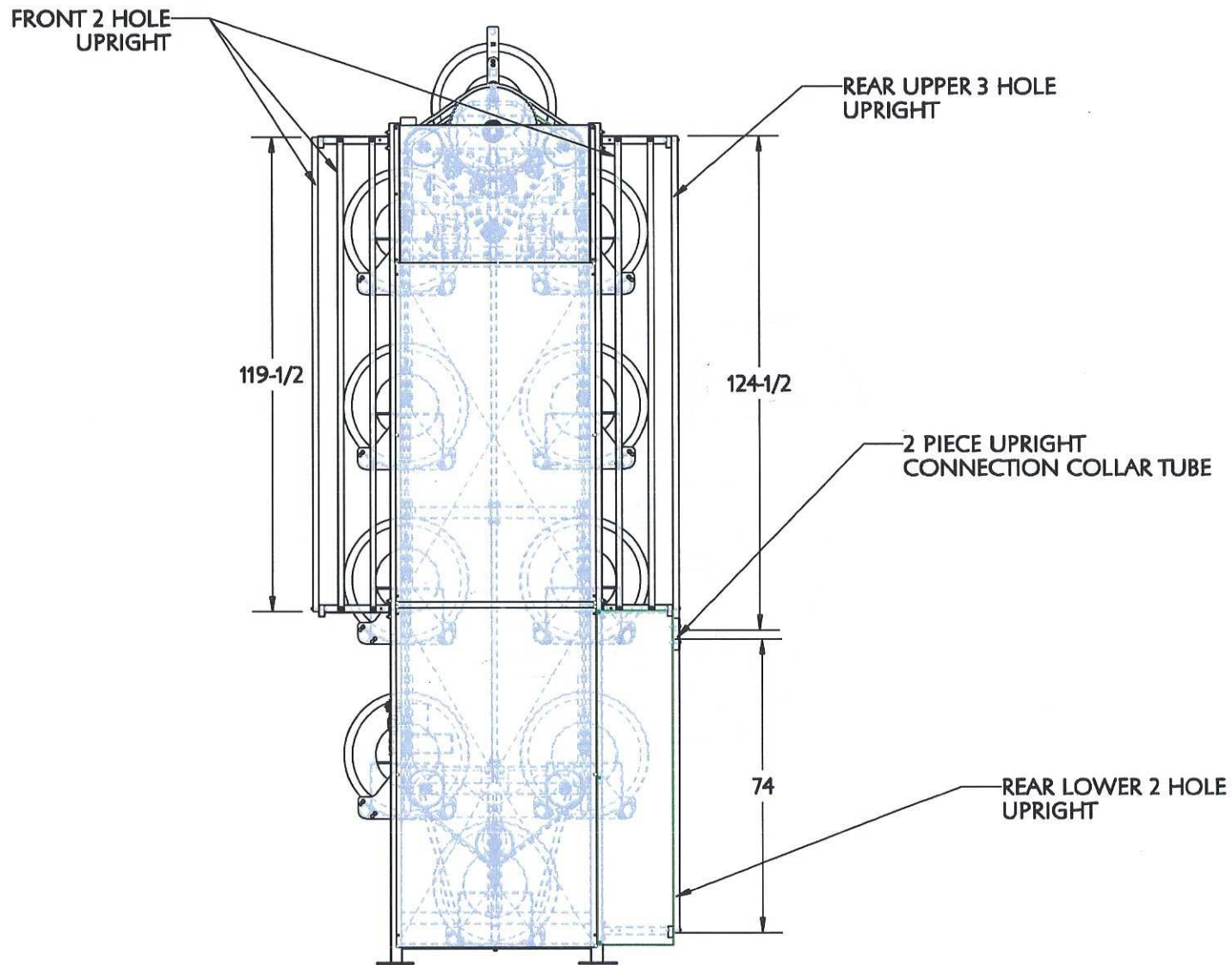
Dimensions in INCHES, rounded to nearest 1/2 INCH unless specified

PAGE
3 of 4

Dwg. Rev.
--

Rev'd by:
--

Date:
20-Jan-11



VIDIR MACHINE INC.
 BOX 700
 ARBORG, MANITOBA
 CANADA
 ROCOAO
 1-800-210-0141

UPRIGHT DETAIL

This and all associated drawings, designs and illustrations are the property of Vidir Machine Inc. The contents are confidential and are not to be reproduced or copied in whole or in part or used or disclosed to others except as authorized by Vidir Machine Inc.

Dimensions in INCHES, rounded to nearest 1/2 INCH unless specified

Dwg. Rev.
-

Rev'd by:
-

Drawn by:
BR

Drawing Date:
20-Jan-11

Eng Item no:
2-62915

For additional information please contact a VIDIR sales representative 1-800-210-0141
www.vidir.com

PAGE:
4 of 4

Date:
20-Jan-11