



# NestaFlex Gravity 376PL Conveyor System

## Operator's Manual

FMH Conveyors LLC  
9701 E. Highland Dr  
Jonesboro, AR 72401

p. 800.327.9209  
t. 870.935.3661

Part Number 016842  
Effective June 2017  
[www.fmhconveyors.com](http://www.fmhconveyors.com)

Dear Operator,

We at FMH Conveyors would like to thank you for selecting our NestaFlex® gravity conveyor system as the solution to your conveying needs.

Your NestaFlex® system is supported by a group of factory trained customer service representatives. They can be reached via our toll free number **1-800-327-9209**. Whether your needs require assistance from the factory or in the field, please do not hesitate to call. Our team is eager to help.

Thank you once again for purchasing our NestaFlex conveyor system. We look forward to fulfilling your future requirements.

Sincerely,

FMH Conveyors

**INSTALLERS AND OPERATORS OF THIS EQUIPMENT SHOULD READ THIS ENTIRE DOCUMENT BEFORE  
ATTEMPTING TO HANDLE OR OPERATE THE CONVEYOR**

**TABLE OF CONTENTS**

Introduction ..... 1

Warranty Statement ..... 3

Safety Information ..... 3

Warnings ..... 3

Receiving Information ..... 4

Product Specifications ..... 5

Part Terminology ..... 6

Installation Instructions ..... 8

Operating Instructions ..... 10

Maintenance ..... 10

Troubleshooting ..... 16

Optional Equipment & Spare Parts ..... 17

Technical Service Assistance ..... 17

Parts Drawing ..... 18

Parts List ..... 19

Parts Drawing ..... 20

Parts List ..... 21

Glossary ..... 22

## WARRANTY STATEMENT

Your FMH Conveyor is protected by our premier warranty. FMH Conveyors will replace parts that are damaged during the course of normal operation due to mechanical defect, excluding normal wear and tear and damage due to storing conveyors exposed to the outside elements or use of the equipment other than as specified by FMH Conveyors in this manual. The warranty extends for a period of two years on all mechanical components as measured from the date customer takes possession of the conveyor.

This warranty does not cover damage due to accident, misuse, abuse and negligence. It also does not cover damage due to improper operation or maintenance, or attempted modification by anyone other than an authorized FMH Conveyors service personnel.

For specific warranty information or assistance, please contact your FMH Conveyors Customer Support Representative.

## SAFETY INFORMATION

- Operators shall receive training by the employer on proper equipment operation of this conveyor.
- Do not exceed the conveyor load capacity, as it may result in possible operator injury or conveyor damage.
- Long hair must be tied back and operators should avoid wearing excessively baggy clothing that could get caught in the system.
- Broken or worn parts must be replaced immediately to ensure the conveyor system remains in a safe, proper working condition.
- To extend or contract a conveyor, unlock all locking casters and use the handle on the end carton stop.
- To move a conveyor to a new location, unlock all locking casters and use the handle on the end carton stop.
- Lock all locking casters to prevent motion during use once conveyor has been positioned in the desired location.
- Replace worn or damaged components immediately before attempting to use the conveyor.

## WARNINGS

- Do not place fingers and hands between rows of skates or between side links that make up the scissor action on the sides of the conveyor.
- Always use a dock plate when moving this conveyor into and out of the trailer. Always pull the conveyor onto the dock plate from the front; never from the sides.
- Always use **genuine** FMH Conveyor parts. Our parts are specifically designed for FMH Conveyor equipment to provide optimum performance and safety. Use of non-FMH Conveyor parts may void the product warranty.
- Frequently clean the conveyor to prevent accumulation of debris or accumulation of material that may cause malfunctions or poor performance.
- Never operate this conveyor without all of its components and safety mechanisms.
- FMH Conveyors is not responsible for damage or injuries caused by misuse of the equipment, for careless operation or if it is used to handle materials for which it was not designed.

## **RECEIVING INFORMATION**

Before the conveyor unit is put into service, inspect it carefully for any indications of shipping damage. If possible, take photographs of suspected shipping damage in order to substantiate any claims. Missing parts or damage should be reported in writing to the shipper, with a copy to your FMH Conveyors representative.

**CAUTION: Conveyor weights vary with their configuration, but all assemblies are heavy enough to cause injury. Use care when handling, moving, or unpacking any conveyor.**

Remove any stretch-wrap and ties securing the conveyor to the pallet.

**NOTE: Some conveyors are shipped as "Roll-On" freight, without pallets.**

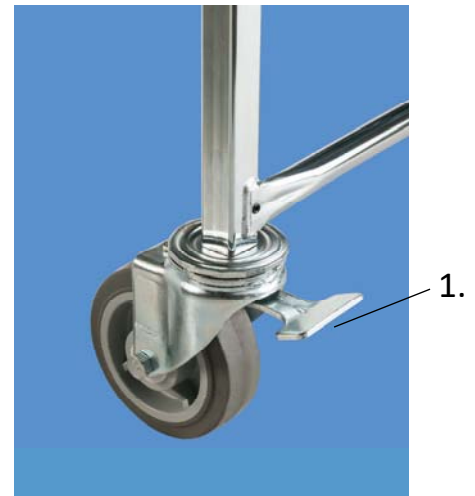
Remove and discard any wood blocks that hold the casters in position during shipment

Release all locking casters by lifting the brake levers (1.) upward and carefully roll the conveyor off the skid, pallet, or truck.

Extend the conveyor to its full length and flex it in both directions. If the conveyor is difficult to extend or flex, check for previously unseen shipping damage to the side links or casters.

**Caution - When moving a conveyor, release all locking casters and grip the conveyor by the handle on the end carton stop. Keep hands and fingers well clear of any pinch points.**

Move the conveyor to the desired location. If the unit is to be stored for a time prior to installation and use, it should be kept in a warm and dry area. The entire conveyor should be covered during storage to minimize the infiltration of dust and debris.



## **PRODUCT SPECIFICATIONS**

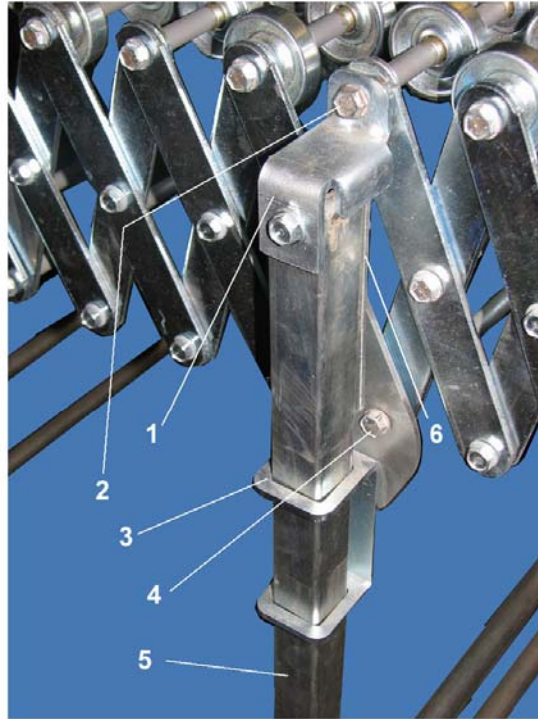
<b>Conveyor Bed Width:</b>	18, 24, 30, or 36 inches
<b>Load Capacity:</b>	376 lbs (171 kg) per linear foot.
<b>Skate Wheels:</b>	Steel or Polymer Material. 1-15/16 inch diameter.
<b>Shafts:</b>	5/16 inch (7.9 mm) diameter rod.
<b>Axle Spacing:</b>	3 inches center to center first 10' of conveyor; then 5-1/4 inches center to center. Axle spacing will vary as needed for specific applications.
<b>Conveyor Height:</b>	Infeed and discharge heights are fixed with an application specific per foot pitch in the extended position. Height and pitch will vary as needed for specific applications.
<b>Side Link Construction:</b>	The side links are made of 1 1/4 inch wide steel. Side links are assembled with nuts and screws.
<b>Casters:</b>	6 x 2 inch casters are used for easy mobility and end sections have swivel, locking casters. 8 x 2 inch casters are used for long conveyors.
<b>Supports:</b>	Square 1-1/4 inch steel tube perpendicular legs joined by two welded cross braces. Perpendicular legs are designed to support a pitched conveyor and remain perpendicular to a level floor in the contracted and extended positions
<b>Carton Stop:</b>	Heavy duty roller carton stop.
<b>Transition Stop:</b>	Steel transition stop located on the infeed (high) end.
<b>Transition:</b>	Herringbone (centering) steel roller conveyor attached to a transitioning shoe with steel rollers.
<b>Guide Track:</b>	Continuous steel guide track with centering nose at the front, a reinforced back stop at the end, and supports anchored to the floor.
<b>Options:</b>	See page 20.

**PART TERMINOLOGY**

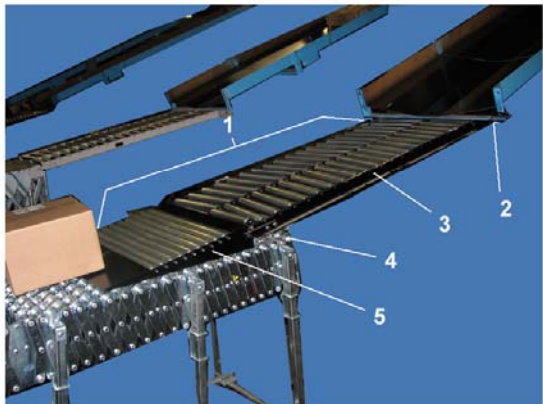
The terminology for the major conveyor components is illustrated in the following photographs.



- 1. H frame
- 2. Cross brace
- 3. Caster
- 4. Set screw



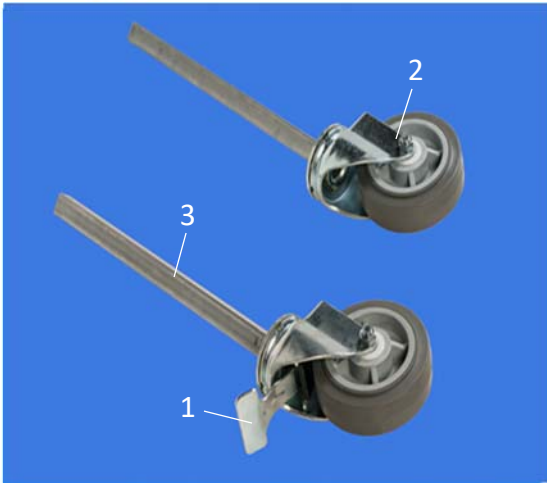
- 1. Leg bracket
- 2. Shaft at leg bracket
- 3. Leg side guide
- 4. Shaft at perpendicular plate
- 5. H frame, square vertical leg
- 6. Axle restrictor/nut plate



- 1. Transition
- 2. Hinge
- 3. Herringbone
- 4. Transition stop
- 5. Shoe

FMH Conveyors® Operator's Manual  
NestaFlex 376PL Conveyors

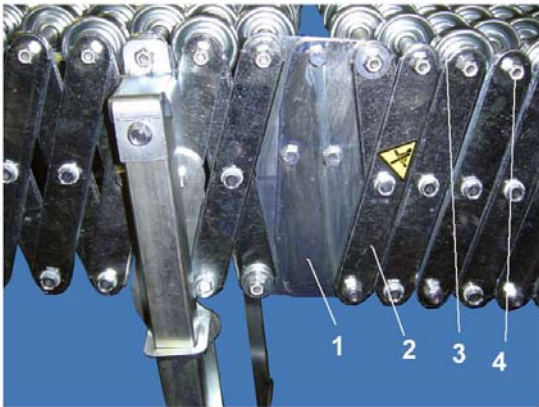
The terminology for the major conveyor components is illustrated in the following photographs.



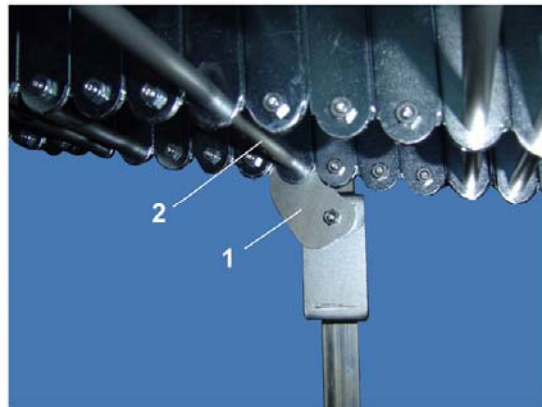
- 1. Caster with brake
- 2. Caster without brake
- 3. Square inner leg



- 1. Heavy duty roller carton stop
- 2. Rigid discharge cart (Optional)



- 1. Quick connect plate
- 2. Side link
- 3. Skate wheel
- 4. Shaft, conveyor bed



- 1. Perpendicular leg plate
- 2. Shaft and plastic spacer at perpendicular leg plate

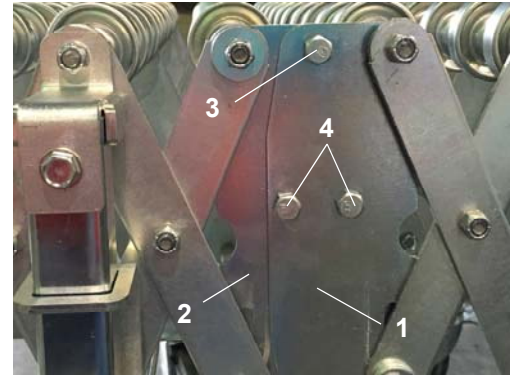


## INSTALLATION INSTRUCTIONS

**NOTE: The assembly information below applies only to conveyors longer than 24' in extended length which are shipped in sections in cartons. If your conveyor is a single section or shipped as "roll-on" freight, disregard the assembly information.**

### Conveyor Assembly

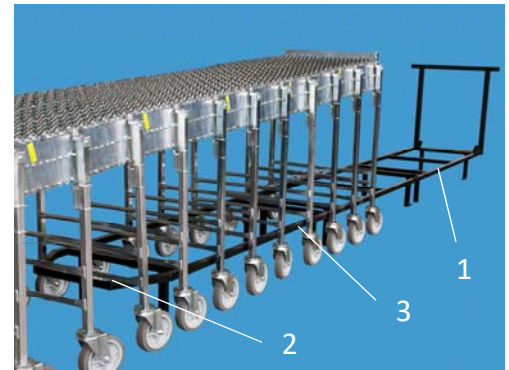
1. Position the sections so the color dots on section ends are matched and cannot be seen after assembly.
2. Align quick connect plates and push the conveyor sections together to align the holes in the quick connect plates (1) at the end of one section with the holes in the quick connect plates (2) of the mating section.
3. Insert the bolt (3) on each side and add a flat washer, a lock washer, and a nut.
4. Insert the two remaining bolts (4) on each side and add the washers and nut to each.
5. Securely tighten each bolt to make the connections permanent.
6. Repeat this procedure as required to connect all sections of this conveyor.



### Guide Track Assembly

**NOTE: Before assembling the guide track sections, establish a chalk line from the decline conveyor centerline to the center of the dock door. This will become the centerline for the guide track assembly.**

1. Identify the rear section (1), the front section (2), and the center sections (3).
2. Place the sections on the floor in the correct orientation and close to the final installation position.
3. Connect the sections by sliding the attachment tabs on each section into its adjoining section. **NOTE: No additional hardware is required. Do not weld the sections together.**
4. Slide the guide track assembly into its final position over the previously established centerline.



**NOTE: It is essential that guide track sections are butted together with no gaps between sections.**

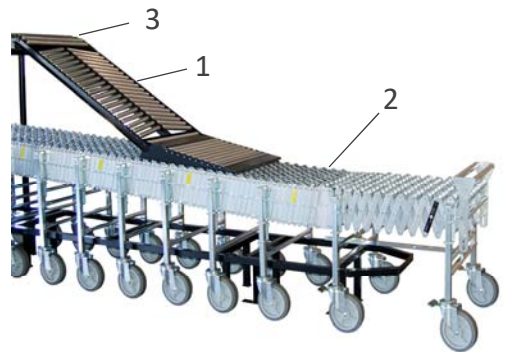
### Trial Assembly

At this point, a trial assembly of all components should be made before proceeding with the final assembly procedure to ensure that the conveyor is positioned as intended.

1. Carefully move the fully contracted conveyor assembly (1) into position over the assembled guide track (2) with the rear of the conveyor against the back stop (3) of the guide track assembly.



2. Place the herringbone transition section (1) on the conveyor (2) beneath the decline conveyor (3).



3. Temporarily connect the transition to the decline conveyor with the supplied brackets and hardware. Do not tighten the connectors as they will be removed later.
4. With the contracted conveyor against the back stop of the guide track, there should be a gap of 4 to 6 inches minimum between the carton stop and the transition shoe. This is important to ensure there is no pinch point hazard when the conveyor is being returned to its storage position. This gap may be much larger. **See the layout drawing that accompanied this manual.**
5. Carefully inspect the working area and all assembly components to see that there are no conflicts with the layout drawing or between the components and building elements.
6. When satisfied that the installation will be functional, mark the position of the guide rail supports on the floor.
7. Disconnect the herringbone transition section from the decline conveyor and lay it on the 376PL gravity conveyor.
8. Remove the conveyor assembly, leaving the guide track assembly in place.

## Final Assembly

1. Verify that all guide track assembly connections are tight, and that the assembly is positioned correctly.

**NOTE: It is essential that guide track sections are butted together with no gaps between sections.**

2. Mark all foot pad hole locations on the floor.
3. Drill holes to accept 3-3/4" 3/8-16 anchor bolts. Use a 3/8" drill and a minimum 1-3/4" embedment depth.
4. Bolt the guide track assembly in its final position.
5. Position the conveyor assembly over the guide tracks.
6. Attach and secure the transition section to the decline conveyor.
7. Verify that the transition stop at the high end of the conveyor is in its upright position and hangs securely from the top row shaft.

If installing multiple units and the shipping doors are configured the same, then measurements from the first installation can be applied to subsequent installations.

## OPERATING INSTRUCTIONS

**Caution: Do not exceed the rated capacity of the conveyor – 376 lbs (171 kg) per linear foot.**

Make certain that all uninvolved personnel are clear of the working area. Unlock the locking casters, grip the conveyor by the handle at the carton stop, and extend the conveyor across the dock area and into the trailer, being careful to avoid pinch points, such as the side link assemblies.

Once the conveyor has been extended and positioned as desired, lock the caster brakes to maintain that position. Four locking casters are provided at the low end of the conveyor: Two each on the first and second H Frames. For conveyors positioned in the center of the trailer, both casters on the first H Frame can be locked. For conveyors positioned against one side of the trailer, one caster on both the first and second H Frames can be locked.

As loading progresses, release the brakes to reposition the conveyor as needed.

## MAINTENANCE

The Nestaflex® Conveyor is virtually maintenance free; however, we do recommend the following:

1. Keep the conveyor and the surrounding floor area clean and free of debris, dirt, and grease accumulation.
2. Periodically inspect the conveyor for any loose or worn components. Tighten or replace if necessary.
3. Inspect side link nuts and bolts frequently and regularly for looseness or missing parts. Tighten or replace as needed.
4. **NOTE: Fasteners should be torqued to 70-80 lb-in (7.9-9.0 N-m). Do not over-tighten the fasteners as this may impede their function.**

## FMH Conveyors® Operator's Manual NestaFlex 376PL Conveyors

Your conveyor will require minimal maintenance under normal operating conditions. However, since there are occasional problems with all equipment, the following paragraphs provide parts replacement procedures.

### Elevation Adjustment

Tools and Parts Required: 5/32" Allen wrench, loctite® 242 or equivalent

**NOTE: On most gravity truck loader conveyors, height adjustments are unnecessary. The conveyor height has been set at the factory for optimal product flow.**

1. Loosen the set screw on both vertical legs. The set screws are located on the lower cross brace.
2. Raise the H Frame and conveyor to desired height.
3. Apply loctite® to the threads of the set screw.
4. Turn and tighten the set screws on both vertical legs.

### Inner Leg/Caster Assembly Replacement

Tools and Parts required: ½" wrenches (2), 5/32" Allen wrench, Loctite® 242 or equivalent, dimple lock nuts (6), inner leg/caster.

1. Move the conveyor off of the guide track.
2. Identify the section of conveyor that contains the inner leg/caster to be replaced.
3. Separate that conveyor section from the system by removing the quick connect fasteners. Retain the fasteners for the re-assembly process.
4. Fully contract conveyor section.
5. Carefully lay the conveyor section on its side.
6. Loosen the set screw at the affected inner leg/caster.
7. Remove the inner leg/caster by pulling it out of the H Frame outer leg.
8. Insert the new inner leg/caster fully into H Frame outer leg.
9. Apply loctite to the set screw and tighten it securely.
10. Carefully return the conveyor to an upright position.
11. Return the conveyor section to its correct location within the conveyor system.
12. Push the conveyor sections together to align the holes in the quick connect plates.
13. Insert the top screw on each side and add the washer and nut.
14. Insert the two remaining screws on each side and add the washers and nuts.
15. Securely tighten each fastener to make the connections permanent.
16. Return the conveyor system onto the guide track.

### H Frame Replacement

Tools and Parts required: ½" wrenches (2), 5/32" Allen wrench, loctite® 242 or equivalent, dimple lock nuts (6), 5/16-18 self-tapping screws (2), nut plates (2), H Frame.

1. Move the conveyor off the guide track.
2. Identify the section of conveyor that contains the H Frame to be replaced.
3. Separate that conveyor section by removing the quick connect fasteners; Retain the fasteners for the re-assembly process.
4. Fully contract the conveyor section.
5. Carefully lay the conveyor section on its side.
6. Loosen the two set screws that secure the inner leg/casters.
7. Remove the inner leg/casters by pulling them out of the H Frame outer legs. Set the inner leg/casters aside for later use.
8. On both sides, remove the self-tapping screw that secures the H Frame to the leg support bracket and the nut plates; discard the nut plates.
9. Remove the H Frame.
10. Insert the new H Frame by sliding it through the square openings in the side guide and then into the leg support bracket. The screw hole in the H Frame should line up with the hole in the leg support bracket.
11. On both sides, position the new nut plate and install the new self-tapping screw.
12. Insert the inner leg/casters fully into the H Frame outer legs.
13. Apply loctite to the set screws and tighten the set screws.
14. Carefully return the conveyor to an upright position.
15. Return the conveyor section to its correct location within the conveyor system.
16. Push the conveyor sections together to align the holes in the quick connect plates.
17. Insert the top screw on each side and add the washer and nut.
18. Insert the two remaining screws on each side and add the washers and nuts.
19. Securely tighten each fastener.
20. Return the conveyor system onto the guide track.

### Nut, Screw, Washer Replacement

Tools and Parts required: ½" wrench, 7/16" wrench, hex shoulder screw, ¼-20 hex dimple nut, and a spring washer.

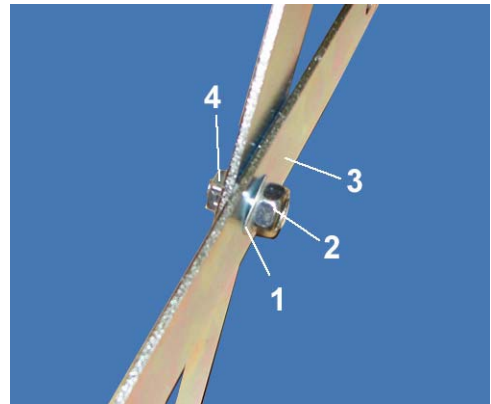
1. Extend the conveyor to its fully open position. Remove and discard the old nut, screw, and spring washer.



2. Put the spring washer on the screw and insert the screw through both side link holes.

**NOTE: The spring washer (1) must be between the screw hex head (2) and the side link (3) as shown at right.**

3. Thread a new nut onto the screw. Hold the screw with the ½" wrench and tighten the nut (4), using the 7/16" wrench. Tighten to 70-80 lb-in (7.9 – 9.0 N-m).

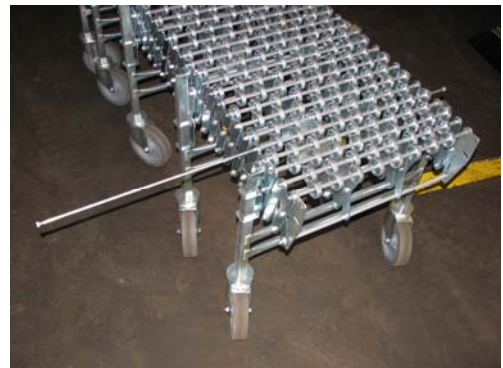


### Shaft Replacement

Tools and Parts Required: Two ½" wrenches, a nylon lock nut, and a new shaft

**NOTE: Some shafts may pass through other components, such as washers and spacers. Before removing a shaft, make a note of the position of any such components. During reassembly, return these pieces to their proper position to ensure the structural integrity and functionality of the conveyor.**

1. With the conveyor in the fully contracted position, use the wrenches to remove and discard the nylon lock nut.
2. Using the replacement shaft as a driver, carefully push out and remove the damaged shaft. The replacement shaft should now pass through all of the washers, spacers, skate wheels, and links in their proper position.
3. Install a new lock nut to complete the process.



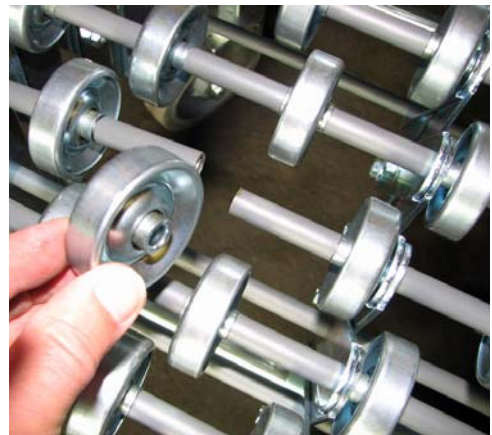
### Skatewheel Replacement

Tools and Parts required: ½" wrenches (2), nylon lock nut, skatewheel(s), and shaft.

1. With the conveyor in the fully contracted position, use the wrenches to remove and discard the nylon lock nut.
2. Using the new shaft as a driver, carefully push out the existing shaft until the end of the new shaft reaches the location of the damaged skatewheel. The new shaft should now pass through all of the washers, spacers, skatewheels, and side links in their proper position up to the damaged skatewheel.
3. Pull the existing shaft out far enough to enable removal of the damaged skatewheel.



4. Insert the new skatewheel in the space left by the removed, damaged skatewheel.



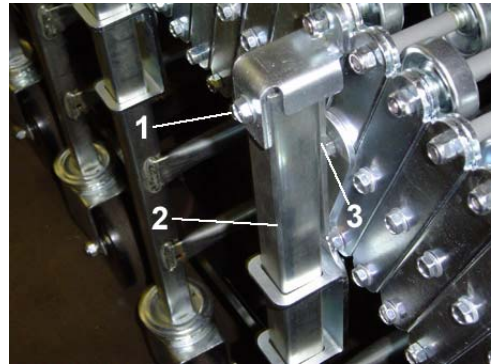
5. Push the existing shaft back into its assembled position, driving the new shaft out of the conveyor.
6. Install a new nylon lock nut to complete the process.

### Axle Restrictor/Nut Plate Replacement

Tools and Parts required: ½" wrench, 5/16-18 self-tapping screw, nut plate/axle restrictor.

**NOTE: Be sure the axle restrictor/nut plate that is being installed is the correct size for your system. The axle restrictor/nut plate size is stamped on the part. Example: 50030 indicates a 1/2 inch per foot pitch (500) and a 3.0 inch axle spacing (30).**

1. Loosen and back off the self-tapping screw (1) that secures the H Frame (2) to the axle restrictor/nut plate (3).



2. Discard the axle restrictor/nut plate.
3. Position the new axle restrictor/nut plate and tighten the self-tapping screw.

**NOTE: The self-tapping screw may be re-used one time. After one re-use, the self-tapping screw should be discarded and a new self-tapping screw should be used.**



**TROUBLESHOOTING**

Indication	Cause(s)	Solution
Conveyor does not Expand or Contract easily.	Debris in Casters or links	Remove debris from casters and links
	Brakes on casters engaged	Make certain the brakes are disengaged
	Over-tightened link fastener	Loosen concerned link fastener – replace lock nut if needed. Torque link fasteners to between <b>70 and 80 lb-in</b> (7.9 – 9.0 N-m)
	Damaged Conveyor	Check for and replace damaged parts.
Product stops too early or does not run smoothly.	Debris or object blocking skate wheel rotation	Clean all debris and obstructions from conveyors.
	Skate wheel damaged or jammed	Replace damaged skate wheels and those which do not easily rotate.
	Conveyor elevation out of adjustment	Return conveyor to its factory original elevation.

## **OPTIONAL EQUIPMENT AND SPARE PARTS**

### **Optional Equipment**

FMH Conveyors offers a number of options for the NestaFlex376PL conveyor. For more information on the following, contact our Customer Service department at **1-800-327-9209**.

- Power Assist
- Upstream Conveyor Control
  - On/Off Button
  - Photoeye
- Cord Reel
- 8" Casters
- Special Axle Centers: 2", 3", 4"
- Curve Guard (one side or both sides)
- Rigid Discharge Cart

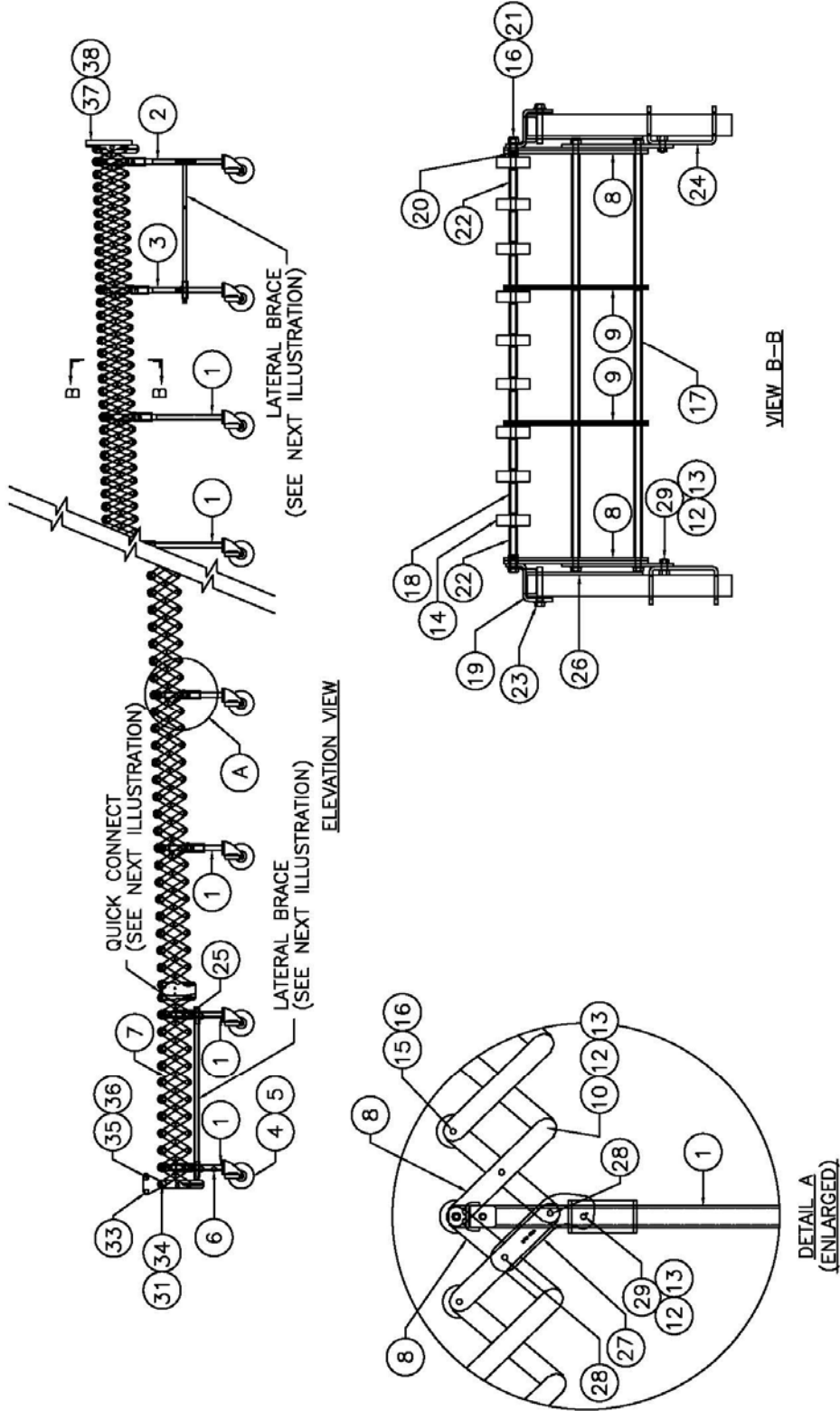
### **Spare Parts**

To maintain safe operation and extend the life of your Nestaflex® 376PL conveyor, replace any worn or damaged components before using the conveyor system. Use only parts supplied or authorized by FMH Conveyors. Spare part drawings and part number tables are found on the next two pages.

For assistance from a factory trained Customer Service Representative, call **1-800-327-9209** Monday through Friday between 8:00 AM and 5:00 PM Eastern time.

## **TECHNICAL SERVICE ASSISTANCE**

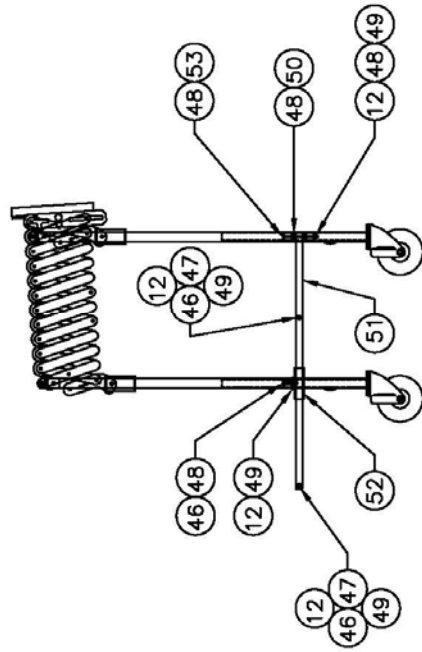
For further assistance or to order replacement parts for the NestaFlex® gravity conveyors, please call us at **1-800-327-9209**.



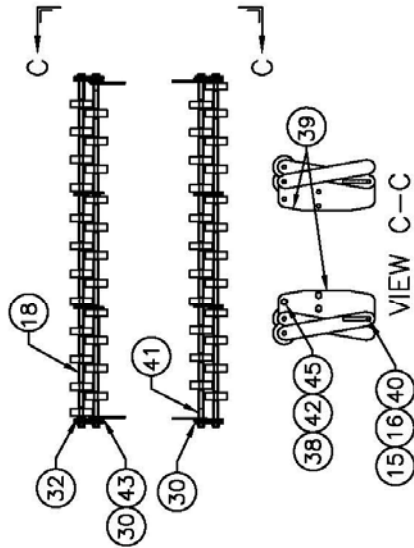
## Parts List

REF. NO.	DESCRIPTION	18" Width	24" Width	30" Width	36" Width
		Part No.	Part No.	Part No.	Part No.
1	H FRAME 376-	18PL	24PL	30PL	36PL
2	H FRAME 376-	18PL-LB1	24PL-LB1	30PL-LB1	36PL-LB1
3	H FRAME 376-	18PL-LB2	24PL-LB2	30PL-LB2	36PL-LB2
*4[1]	6" CASTER/INNER LEG NO BRAKE (SHOWN)	019435	019435	019435	019435
*5[2]	6" CASTER/INNER LEG BRAKE (OPTIONAL)	019436	019436	019436	019436
4	8" CASTER/INNER LEG NO BRAKE (OPTIONAL)	017321	017321	017321	017321
5	8" CASTER/INNER LEG BRAKE (OPTIONAL)	017322	017322	017322	017322
6	SCREW SET CONE TIP 5/16-24 X 3/8	005713	005713	005713	005713
7	SIDE LINK, THICK	006511	006511	006511	006511
8	SIDE LINK, TRUNNION	006504	006504	006504	006504
9	SIDE LINK, THIN	000019	000019	000019	000019
10	SCREW HEX SHDR, LONG	016187	016187	016187	016187
11	SCREW HEX SHDR, SHORT (NOT SHOWN)	016188	016188	016188	016188
12	NUT HEX LOCK 1/4-20 DIMPLED ZP	000026	000026	000026	000026
13	WASHER WAVE 5/16"	004277	004277	004277	004277
14	WHEEL ASSY, STEEL	000047	000047	000047	000047
15	SHAFT 5/16 SKATEWHEEL	003199	002897	015440	015657
16	NUT HEX LOCK 5/16-18 NYLON	000022	000022	000022	000022
17	SPACER GRAY PLASTIC, LONG	003197	006457	006458	015662
18	SPACER GRAY PLASTIC, SHORT	003195	017119	005910	015793
19	LEG SUPPORT BRKT 376PL	017323	017323	017323	017323
20	RETAINING RING	017324	017324	017324	017324
21	SHAFT 5/16 LEG BRACKET	003200	002417	002106	016958
22	SPACER GRAY PLASTIC, LEG BRKT ENDS ONLY	016963	016962	016961	004109
23	SCREW HEX 5/16-18, 2" SELF-TAPPING	015082	015082	015082	015082
24	LEG SIDE GUIDE 376PL	001880	001880	001880	001880
25	SHAFT 5/16 SIDE GUIDE	016952	016953	016956	016959
*26[3]	AXLE RESTRICTOR / NUT PLATE	CALL	CALL	CALL	CALL
*27[3]	PERPENDICULAR LEG PLATE	CALL	CALL	CALL	CALL
28	SHAFT 5/16 PERPENDICULAR LEG PLATE	016951	002181	015441	016957
29	SCREW HEX SHDR, LONG, GOLD COLOR	017220	017220	017220	017220
30	WASHER FENDER 5/16, THIN	006515	006515	006515	006515
31	SPACER STEEL 3/8 OD 3/4"	003192	003192	003192	003192
32	WASHER FLAT 5/16	000024	000024	000024	000024
33	CARTON STOP – HEAVY DUTY	003128	003129	003130	015694
33	CARTON STOP – ROLLER (OPTIONAL)	006578	006685	015120	015663
34	SPACER GRAY PLASTIC (CARTON STOP)	004227	004227	004227	004227
35	RLR 1.38 NO AXLE (CARTON STOP)	004722	004737	015118	015660
36	SHAFT 5/16 RLR (CARTON STOP)	015744	015745	015746	015747
37	TRANSITION STOP	006652	006562	006125	006131
38	SCREW 5/16-18 3/4 LONG	000276	000276	000276	000276

\* Refer to notes on page 21



LATERAL BRACE  
 (FROM PREVIOUS ILLUSTRATION)



QUICK CONNECT  
 (FROM PREVIOUS ILLUSTRATION)

**PARTS LIST**

REF. NO.	DESCRIPTION	18" Width	24" Width	30" Width	36" Width
		Part No.	Part No.	Part No.	Part No.
	<b>QUICK CONNECT</b>				
39[4]	BRACKET QC 2PC	005432	005432	005432	005432
40	SPACER GRAY PLASTIC, LONG	003552	002937	003553	015662
41	SPACER GRAY PLASTIC, SHORT	004228	004228	004228	004228
42	NUT HEX LOCK 5/16-18, DIMPLED	000023	000023	000023	000023
43	WASHER FENDER 5/16, THICK	000032	000032	000032	000032
44	WASHER FLAT 5/16 (SPECIAL)	000042	000042	000042	000042
45	WASHER SPLIT LOCK 5/16	005535	005535	005535	005535
	<b>LATERAL BRACE</b>				
46	SCREW HEX 1/4-20 1-3/4 LONG	000025	000025	000025	000025
47	WASHER FLAT 1/4	001338	001338	001338	001338
48	WASHER FENDER 1/4	002629	002629	002629	002629
49	WASHER SPLIT LOCK 1/4	004640	004640	004640	004640
50	SPACER	017361	017361	017361	017361
51	SLIDER TUBE	017362	017362	017362	017362
52	FIXED TUBE WLDMT	017363	017363	017363	017363
53	SCREW HEX 1/4-20 4-1/2 LONG	017364	017364	017364	017364

[1] Depending on conveyor height, part number may be 016435, 016435-001, 016435-002, 016435-003.

[2] Depending on conveyor height, part number may be 016436, 016436-001, 016436-002, 016436-003.

[3] Specify axle center, H Frame position (#1 is highest H Frame), factory order number, and model number.

[4] 1 piece. 2 required per set.

## **Glossary**

The following terms and abbreviations are used in the NestaFlex 376PL Gravity Conveyor Trailer Loader manual.

376PL – Gravity Conveyor Model 376 Perpendicular Leg

Conveyor Bed – the portion of conveyor between two supports.

kg – kilogram

lb-in – pound inches

lbs – pounds

mm – millimeter

N-m – Newton meters

OD – outside diameter

Perpendicular Leg – legs that support a pitched conveyor and remain perpendicular to a level floor in the contracted and extended positions.

