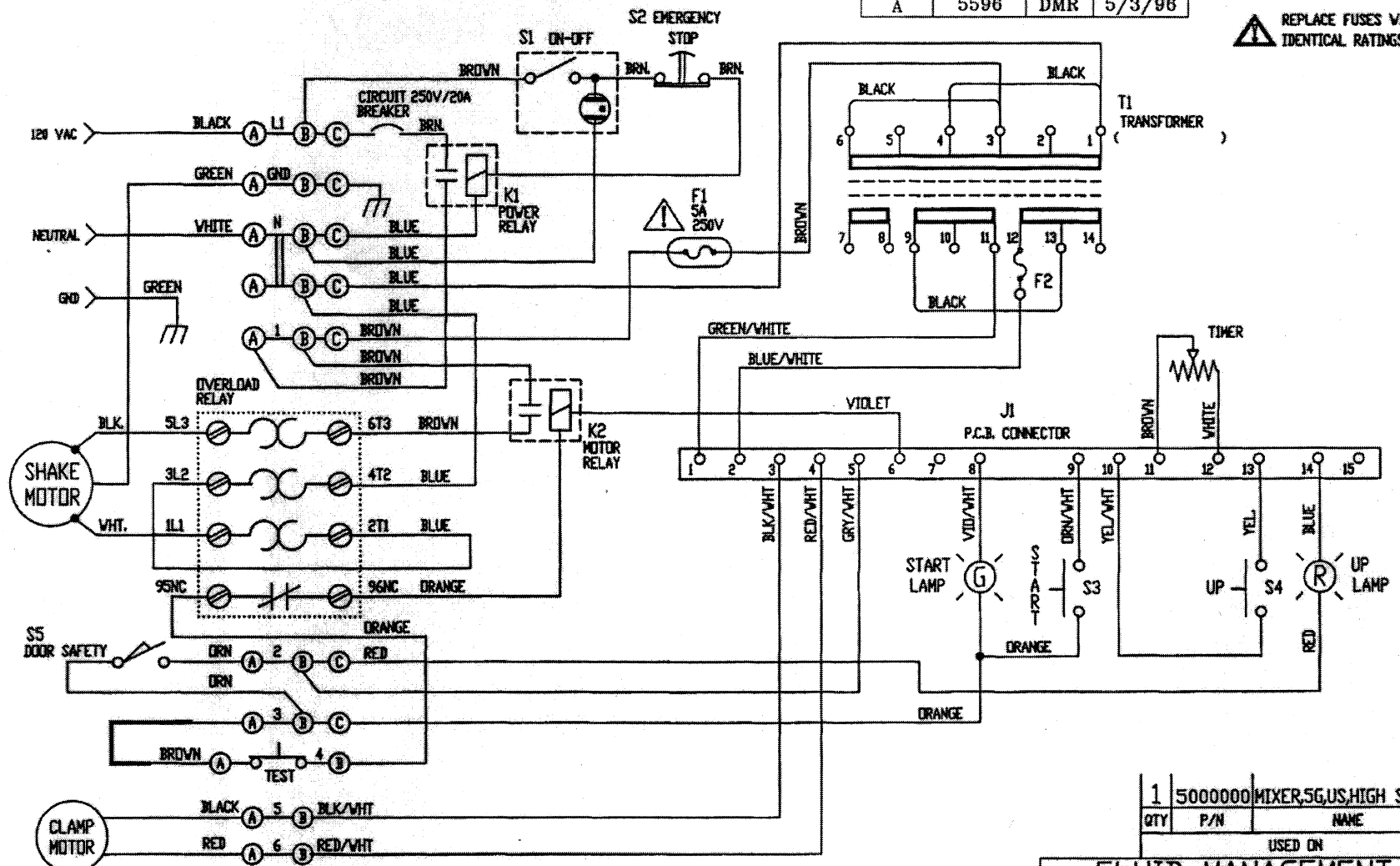


REV	ECN	BY	DATE
A	5596	DMR	5/3/96

F2 - 6.3A 250V SLOW-BLOW
 ⚠️ REPLACE FUSES WITH IDENTICAL RATINGS



1	5000000	MIXER, 5G, US, HIGH SPEED
QTY	P/N	NAME
		USED ON

FLUID MANAGEMENT			
605 SOUTH WHEELING ROAD, WHEELING, IL 60090			
PART NAME			
5G2 WIRING SCHEMATIC DIAGRAM 120VAC 60Hz			
DVN	MJL	DATE 01/12/93	REV
CHK		DATE	P/N
APP		DATE	5108292

FILE