



DIRECTFIT™

Auto Lift Repair Parts and Accessories for Challenger Lifts

Automotive Shop Equipment | Auto Lift Repair Parts

The Industry's Largest Selection of Auto Lift Repair Parts



SVI International, Inc.
155 Harvestore Drive • DeKalb, IL 60115

800-321-8173
815-748-0200

www.sviinternational.com

BALTIMORE • CHICAGO • LOS ANGELES



Did You Know?

The company you know as Challenger evolved from two previous lift companies: Vogt Brothers Manufacturing and VBM



DIRECTFIT™
SVI's DIRECT FIT™ BRAND

Table of Contents

Auto Lift Power Units.....	3	37000.....	14-17, 51-55
Height Extensions, Rubber Pads & Hanger Bracket.....	4-6	39000.....	14-17, 51-55
Cable Reference.....	7	70000, 71000.....	14, 54, 56-57
More from SVI.....	8-9	CL9.....	58-59
Hydraulic Cylinders & Seal Kits.....	10-11	CL10.....	60-63
Commonly Replaced Parts.....	12	E10.....	64-65
Turf Lift Attachments.....	12, 97	SA10.....	66
BH-7226-57-99 Arm Restraint Retro Kit.....	13	X10.....	67-68
Replacement Arms for Challenger.....	14-17	VS10.....	69-70
20000.....	14-20	15000, 15002, 18000, 18002.....	71-73
21000.....	14-17, 21-23	24009.....	74-76
26000.....	14-17, 24-26	24012 / 24012AR.....	77-78
27000.....	14-17, 27-29	24012E / 24012EW.....	79-80
27000 Plus.....	14-17, 30-32	40000 Closed Front.....	81-83
28000.....	14-17, 33-35	40000 Open Front.....	84-87
30000.....	14-17, 36-38	4015 Open Front.....	88-91
31000 Spirit.....	14-17, 39-41	24022.....	92-93
31000.....	14-17, 42-44	64000.....	94
33000.....	14-17, 45-47	65000.....	95
35000.....	14-17, 48-50	CS9200.....	96-98
36000.....	14-17, 51-53	Bearings & Wipers for Cassette-Style Lifts.....	99

*Looking for additional models such as 27120, 27150, 44030, 44030E, 44030X?
Please call for details on any parts you may need!*

BALTIMORE • CHICAGO • LOS ANGELES
(800) 321-8173 • fax: (800) 899-1784
www.sviinternational.com

P
a
g
e

2



The #1 Source for Auto Lift Power Units!

**BH-7006-01 Series - Single Phase
SPX Stone Power Unit**



SPX STONE SPX Stone power units are a compact hydraulic power source utilizing an electric motor with the capability to generate high pressure ratings. The units are built specially for SVI and the industry it serves to provide a wide range of customer-specified pressure relief valve settings. The ability to properly select the required pressure relief allows industry professionals to confidently match the right power unit to the application. SVI performs this service routinely every day to ensure power units are shipped on a same-day basis with the correct pressure relief setting required for the job.

**208-230 VAC, 2HP, 1PH, 3450 RPM
4.0 Gallon Reservoir**

- Frame: 56 FR
- Max Amps: 230 VAC 18
- Pump: 2.3 GPM @ 2200 PSI*
- Maximum Run Time: 75 Seconds
- Pressure / Return Port Size: 9/16" SAE
- Auxiliary Return Port: 3/8" NPT

Part #	SPX / Stone #	Pressure Relief Valve (psi/bar)	Motor	Pump	Easy Adaptation Kit
BH-7006-01-13	AB-1488	1885 psi / 130 bar	208-230 VAC, 2HP, 1PH, 3450 RPM	2.5CC/Rev	Included BH-7000-00
BH-7006-01-14	AB-1488	2030 psi / 140 bar	208-230 VAC, 2HP, 1PH, 3450 RPM	2.5CC/Rev	Included BH-7000-00
BH-7006-01-15	AB-1488	2175 psi / 150 bar	208-230 VAC, 2HP, 1PH, 3450 RPM	2.5CC/Rev	Included BH-7000-00
BH-7006-01-16	AB-1488	2320 psi / 160 bar	208-230 VAC, 2HP, 1PH, 3450 RPM	2.5CC/Rev	Included BH-7000-00
BH-7006-01-17	AB-1488	2465 psi / 170 bar	208-230 VAC, 2HP, 1PH, 3450 RPM	2.5CC/Rev	Included BH-7000-00
BH-7006-01-18	AB-1488	2610 psi / 180 bar	208-230 VAC, 2HP, 1PH, 3450 RPM	2.5CC/Rev	Included BH-7000-00
BH-7006-01-19	AB-1488	2755 psi / 190 bar	208-230 VAC, 2HP, 1PH, 3450 RPM	2.5CC/Rev	Included BH-7000-00
BH-7006-01-20	AB-1488	2900 psi / 200 bar	208-230 VAC, 2HP, 1PH, 3450 RPM	2.5CC/Rev	Included BH-7000-00
BH-7006-01-21	AB-1488	3045 psi / 210 bar	208-230 VAC, 2HP, 1PH, 3450 RPM	2.5CC/Rev	Included BH-7000-00
BH-7006-01-22	AB-1488	3190 psi / 220 bar	208-230 VAC, 2HP, 1PH, 3450 RPM	1.6CC/Rev	Optional BH-7000-00
BH-7006-01-23	AB-1488	3335 psi / 230 bar	208-230 VAC, 2HP, 1PH, 3450 RPM	1.6CC/Rev	Optional BH-7000-00
BH-7006-01-24	AB-1488	3480 psi / 240 bar	208-230 VAC, 2HP, 1PH, 3450 RPM	1.6CC/Rev	Optional BH-7000-00
BH-7006-01-25	AB-1488	3625 psi / 250 bar	208-230 VAC, 2HP, 1PH, 3450 RPM	1.6CC/Rev	Optional BH-7000-00
BH-7006-01-26	AB-1488	3770 psi / 260 bar	208-230 VAC, 2HP, 1PH, 3450 RPM	1.6CC/Rev	Optional BH-7000-00

EASY ADAPTATION KIT • BH-7000-00

Included with: BH-7006-01-13 thru -21
Optional for: BH-7006-01-22 thru -26

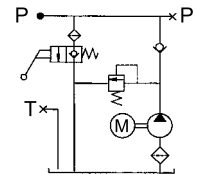
CONTENTS

- (1) BH-7000-02 36" Long Hose, 1/4" Hose, 3000 psi, -6 Male End and -6 Swivel Female End
- (1) BH-7000-06 Male 90° Elbow, -6 JIC to -SAE Straight Thread, Zinc Plated Steel
- (1) BH-7000-07 Swivel Nut Branch Tee, -6 Male to -6 Male to -6 Female Swivel Out, Zinc Plated Steel
- (1) BH-7000-08 8" Long, 1/4" Hose, 3000 psi, -6 Male End and -6 Swivel Female End
- (1) BH-7000-09A 24" Cable Tie, 0.36" Wide

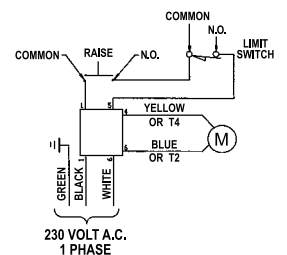


* BH-7006-01-22/26 1.5 GPM @ 3190 to 3770 PSI

HYDRAULIC CIRCUIT



ELECTRIC CIRCUIT





Height Extensions and Rubber Pads

DIRECTFIT™



Height Extension Kit for Challenger CL9/CL10

Pin Diameter 2-3/8" • Pin Length 1-1/2"

BH-7234-119 (Ref 10315) **KIT COMES WITH:**

- 3" Tall Height Extension - Qty (4)
- 6" Tall Height Extension - Qty (2)
- Qty (2) Hanging Brackets With Hardware

SVI Part #	OEM #	Pin Diameter	Pin Length	Description
BH-7234-119	10315	2-3/8"	1-1/2"	Height Extension Kit
BH-7234-119A		2-3/8"	1-1/2"	3" Height Extension
BH-7234-119B		2-3/8"	1-1/2"	6" Height Extension
BH-7234-119C				Hanging Bracket
<i>Included with Kit</i>				Pan Head Screws



BH-7232-98
(Ref B2260 / B2250)
Drop-In Adapter
with Round
Rubber Pad



BH-7232-01UPB
(Ref B2270)
Drop-In
Adapter with
Urethane Pad

Drop-In Adapters (works with BH-7234-119)

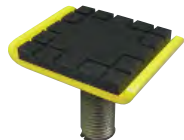
SVI Part #	OEM #	Pin Diameter	Pin Length	Description
BH-7232-98	B2260 / B2250	2.358"	1-2/5"	Drop-In Adapter/ Foot Pad Assembly w/ Round Rubber Pad
BH-7232-01UPB	B2270	2.358"	1-2/5"	Drop-In Adapter/ Foot Pad Assembly with Urethane Pad



Screw-Up Adapters Available in Various Heights

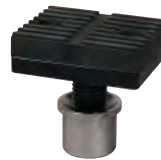
SVI part #	OEM #	Description
BH-7225-03	31133 / 200100	Screw-Up Adapter 1-3/8"-6 Height 3-1/2"
BH-7090-25*		Screw-Up Adapter 1-3/8"-6 Height 4"
BH-7090-26*		Screw-Up Adapter 1-3/8"-6 Height 5"
BH-7090-27*		Screw-Up Adapter 1-3/8"-6 Height 6"
BH-7090-28*		Screw-Up Adapter 1-3/8"-6 Height 7"
BH-7225-04		Screw-Up Adapter 1-3/8"-6 Height 8"
BH-7090-30*		Screw-Up Adapter 1-3/8"-6 Height 9"
BH-7090-31*		Screw-Up Adapter 1-3/8"-6 Height 10"

SVI Exclusive!



BH-7232-17HDA-P (Ref A1100)
Heavy Duty Adapter Base
with Rubber Pad *Uses Pad BH-7232-01*
Has increased plate thickness and additional welding process.
For CL9, CL10

SVI part #	OEM #	Description
BH-7232-17HDA-P	SVI Exclusive	Screw Adapter Base & Pad (ref A1100)
BH-7232-17HDA	SVI Exclusive	Screw Adapter Base Only (ref A1101)

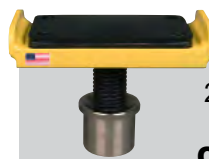


BH-7232-67
(Ref 12563)
CS1220
Pad Assembly

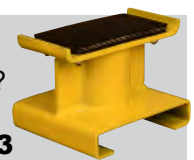


BH-7234-121A
(Ref B2201)
Adapter (1)
(kit also available)

SVI part #	OEM #	Description
BH-7232-67	12563	CS1220 Pad Assembly
BH-7234-121	10318	Frame Engaging Adapter (Set of 4)
BH-7234-121A	B2201	Frame Engaging Adapter (1)
BH-7234-125		Frame Engaging Adapter (Set of 2)



Need adapters to lift
2019+ Chevy / GM Trucks?
SVI has them!
Call now: 800-321-8173



Your SVI representative is also available to help you find the Height Extensions and Pads you need!

**If not in stock, item may be available only by special order and is non-returnable.*

For additional height extension information, see SVI's Lift Repair Catalog LRC7090 Height Extensions.



Height Extensions and Rubber Pads



BH-7231-97 • 4-6"
BH-7231-98 • 6-9.5"
Adjustable
Height Extension
CL & X Models



CL9
CL10
X10

BH-7232-00
 (Ref A1105-06)
6" Height
Extension
 (For 10", order
 BH-7231-99)



BH-7234-01
5" Slip-On
Height Extension
 (Quality Lift Model)
 Or Kit: **BH-7234-01K**

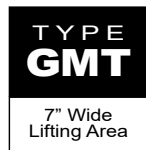


BH-7225-02
and many others!
Slip-On Height
Extension
LDH Series



BH-7227-49 and
BH-7227-50
Adjustable
Slip-On Height
Extension ALDH

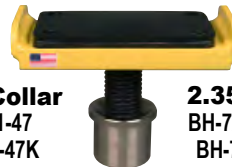
SVI Part #	OEM #	Height	Opening Width	Opening Height	Description	For Lift Models	Rubber Pad
BH-7232-17HDA-P	A1100		n/a	n/a	Screw Adapter Base and Pad		BH-7232-01
BH-7232-17HDA	A1101		n/a	n/a	Screw Adapter Base Only		
BH-7231-96		3"	4-3/16"	13/16"	Fixed Slip-On	For CL9, CL10, X10	BH-7232-01
BH-7232-00	A1105-06	6"	4-3/16"	13/16"	Fixed Slip-On	For CL9, CL10, X10	BH-7232-01
BH-7231-99	A1105-10	10"	4-3/16"	13/16"	Fixed Slip-On	For CL9, CL10, X10	BH-7232-01
BH-7231-97		4"-6"	4-3/16"	13/16"	Adjustable Slip-On	For CLs & X	BH-7232-01
BH-7231-98		6"-9.5"	4-3/16"	13/16"	Adjustable Slip-On	For CL9	BH-7232-01
BH-7234-01		5"	5-1/4"	1-3/8"	Slip-On Height Extension	For Quality Model	BH-7232-01
BH-7234-01K	Set of 4	5"	5-1/4"	1-3/8"	Slip-On Height Extensions KIT	For Quality Model	BH-7232-01
BH-7227-23*		3"	6-1/8"	1"	Slip-On Height Extension LDH		BH-7225-01
BH-7227-24*		4"	6-1/8"	1"	Slip-On Height Extension LDH		BH-7225-01
BH-7227-25*		5"	6-1/8"	1"	Slip-On Height Extension LDH		BH-7225-01
BH-7225-02		6"	6-1/8"	1"	Slip-On Height Extension LDH		BH-7225-01
BH-7227-26*		7"	6-1/8"	1"	Slip-On Height Extension LDH		BH-7225-01
BH-7227-27*		8"	6-1/8"	1"	Slip-On Height Extension LDH		BH-7225-01
BH-7227-37*		9"	6-1/8"	1"	Slip-On Height Extension HDR		BH-7225-01
BH-7225-05*		9"	6-1/8"	1"	Slip-On Height Extension LDH		BH-7225-01
BH-7227-28		10"	6-1/8"	1"	Slip-On Height Extension LDH		BH-7225-01
BH-7227-29*		11"	6-1/8"	1"	Slip-On Height Extension LDH		BH-7225-01
BH-7227-30*		12"	6-1/8"	1"	Slip-On Height Extension LDH		BH-7225-01
BH-7227-49*		4"-6"	6-1/4"	1-1/8"	Slip-On Adjustable Extension ALDH		BH-7225-01
BH-7227-50*		6"-9.5"	6-1/4"	1-1/8"	Slip-On Adjustable Extension ALDH		BH-7225-01



Specialty Lift Adapters

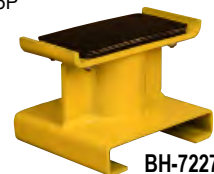
For 2019 Chevrolet 1500 Silverado and GMC Sierra Truck Models

2.125" Collar
 BH-7231-47
 BH-7231-47K



Uses BH-7542-75P Rubber Pad

2.358" Collar
 BH-7232-98GMT-1
 BH-7232-98GMT



BH-7227-23GMT

BH-7227-23GMT		3" Slip-On Height Ext		For 2019, 2020, 2021+ GM / Chevy Trucks with Wide Frame
BH-7231-47	B2280x	2.125" Nut / Adapter Base and Pad		For 2019, 2020, 2021+ GM / Chevy Trucks with Wide Frame
BH-7231-47K	B2280PRx	2.125" Nut / Adapter Base and Pad (Set of 2)		For 2019, 2020, 2021+ GM / Chevy Trucks with Wide Frame
BH-7232-98GMT-1	B2280	2.358" Nut / Adapter Base and Pad		For 2019, 2020, 2021+ GM / Chevy Trucks with Wide Frame
BH-7232-98GMT	B2280PR	2.358" Nut / Adapter Base and Pad (Set of 2)		For 2019, 2020, 2021+ GM / Chevy Trucks with Wide Frame
BH-7232-17GMT-1	SVI Exclusive	Screw Adapter with Pad		For 2019, 2020, 2021+ GM / Chevy Trucks with Wide Frame
BH-7232-17GMT	SVI Exclusive	Screw Adapter with Pad (Set of 2)		For 2019, 2020, 2021+ GM / Chevy Trucks with Wide Frame
BH-7232-98GMAP	B2280-01	Urethane Snap-In Pad (1) for Challenger Version		For 2019, 2020, 2021+ GM / Chevy Trucks with Wide Frame
BH-7232-98GMAP-4	B2280-01x	Urethane Snap-In Pads (Set of 4) for Challenger Version		For 2019, 2020, 2021+ GM / Chevy Trucks with Wide Frame



DIRECTFIT™

Rubber Pads

BH-7101-00		Rubber Arm Pad (1)
BH-7101-00-4		Rubber Arm Pad (set of 4)
BH-7225-01	200086, 31057	Replaceable Rubber Pad (1)
BH-7225-01-4	11052	Rubber Arm Pad Kit (set of 4 for 1 lift)
BH-7225-01X		Heavy Duty Rubber Arm Pad (1)
BH-7225-01K		Heavy Duty Rubber Pad Kit
BH-7225-01KL		Heavy Duty Rubber Pad Kit with Long Bolts
BH-7232-01	A1104 / 10303	Rubber Arm Pad CL9, CL10, VS10 & E10
BH-7232-01U	A1104H	Urethane Arm Pad CL10, VS10, E10, EV1020
BH-7232-98GMAP	B2280-01	Specialty Snap-In Urethane Arm Pad for Challenger's GM Adapters
BH-7232-01-4	A11052	Rubber Arm Pad Kit (set of 4) (CL9, CL10, VS10 & E10)
BH-7232-01HD	A1104x	3/8" Rubber Arm Pad - Heavy Duty Style
BH-7232-01HD-4	A11052x	3/8" Rubber Arm Pad Kit-HD (set of 4)
BH-7232-93	B2208	5-7/16" Round Pad Slip-Over Style Fits VS10, CL10 and E10
BH-7232-93F	B2208x VS10-31-03	5-7/16" Round Pad Slip-Over Style-Fabric Fits VS10, CL10 and E10
BH-7232-94		Round Pad 4-3/4" Round with 1 Bolt Hole in Center



BH-7101-00-4
(Ref 82365x)
Rubber Arm Pad Kit
Individual Pad:
BH-7101-00



BH-7225-01-4
(Ref 11052, 31057x, 200086x)
Rubber Arm Pad Kit for 1 Lift
(Includes 4 pads and hardware)



BH-7232-94
(Ref 26K25030)
Rubber Arm Pad (1 Pad)



BH-7232-01-4
(Ref A11052, A1104x)
Arm Pad Kit for 1 Lift
(includes hardware)
For CL9, Early CL10, Early VS10, E10
Heavy Duty Also Available.



BH-7232-01HD-4
(Ref A11052x, A1104x)
Heavy Duty Rubber Arm Pad Kit for 1 Lift



BH-7232-93
(Ref B2208)
Slip-On Rubber Pad (1 Pad)
For VS10, CL10, others

BH-7232-93F
(Ref VS10-31-03)
Fabric Re-Inforced Rubber Pad (1 Pad)
For VS10, CL10, others



BH-7232-01U
(Ref A1104-H, A1104H)
Urethane Snap-In Pad (1 Pad)
for CL10, E10, S10 and EV1020 where Urethane Snap-In Style Pads Are Used



Check out SVI's Alternative to Urethane Snap-In Pads:
BH-7232-01OHD-4
Octagon Heavy Duty Rubber Arm Pad Kit of 4 Pads for Challenger CL-10, others
Individual Pad (1):
BH-7232-01OHD

BH-7231-95
Hanger Bracket

Hanger Bracket

BH-7231-95	Height Ext. Hanger Bracket (holds 2) (height extensions sold separately)
BH-7231-95K	Height Ext. Hanger Bracket Kit (holds 4) (height extensions sold separately)



DIRECTFIT™

Cable Reference

SVI P/N	OEM#	O.A.L.	Dia.	Challenger
BH-7225-11	11066 / 310008	32' 10"	3/8"	32' 10" 31,000-7,000lb
BH-7225-11A	31067	34' 4"	3/8"	34' 4" 31,000-8,000lb
BH-7225-12L	330005	32' 10"	1/4"	Long 33,000
BH-7225-12S	330019	31' 6"	1/4"	Short 33,000
BH-7225-13	310007	34' 8"	3/8"	
BH-7226-12	280019	32' 7-1/2"	1/4"	28000
BH-7226-20	300007	26' 8-1/2"		
BH-7226-21	30024 / 300009	26' 9"	3/8"	30000
BH-7226-48	350013			3422
BH-7226-49	350014	33' 0"	3/8"	35000
BH-7226-50	350015	31' 10"	3/8"	35000
BH-7226-89	31239	36' 10"		31000 2' Ext
BH-7226-90	31240			31000 1' Ext
BH-7227-07	36111	26'	1/4"	SPLR Cable
BH-7227-14	36126	35' 10"	1/4"	36000 1' Ext
BH-7227-92	70093	33' 3"	1/4"	70,000 / 71,000 After s/n 700707
BH-7227-97F	71020	32' 3"	1/4"	71,000
BH-7228-75	36108	37'9"	1/4"	39000 2' Ext
BH-7228-75A	36107	36'	1/4"	39000 1' Ext
BH-7229-30	36036	33' 10"	1/4"	36000 / 37000 / 39000
BH-7229-50	19001	128"	3/16"	19000
BH-7229-50A	19003			19000 Short
BH-7230-33	651-09-0087	12'		
BH-7231-07	B030-0302			30000
BH-7231-07A	B-28-02546			28000
BH-7232-20	A1115-0	32' 9"		CL-9
BH-7232-20A	A1115-1	34' 8"	1/4"	CL-9-1
BH-7232-20B	A1115-2	36' 8"	1/4"	CL-9-2
BH-7232-53	A2115-0	32' 8"	5/16"	CL-10
BH-7232-54	A2115-2	34' 8"	5/16"	CL-10-2
BH-7232-55	A2115-3	36' 8"	5/16"	CL-10-3
BH-7232-77	40472-E1	34' 11-1/2"	7/16"	40E Open RF
BH-7232-78	40472-E2	29' 3-1/2"	7/16"	40E Open LF

SVI P/N	OEM#	O.A.L.	Dia.	Challenger
BH-7232-79	40472-X1	37' 3"	7/16"	40X RF
BH-7232-80	40472-X2	31' 7"	7/16"	40X LF
BH-7232-81	40472-3	16' 7-1/2"	7/16"	40 RR
BH-7232-82	40472-4	11' 9"	7/16"	40 LR
BH-7232-83	40372-S1	32' 2"	7/16"	40S / 40N RF
BH-7232-84	40372-S2	26' 6"	7/16"	40S / 40N
BH-7232-85	40372-E1	34' 3"		40E Closed RF
BH-7232-86	40372-E2	28' 7"		40E Closed LF
BH-7232-87	40372-X1	36' 6-1/2"		40X RF
BH-7232-88	40372-X2	30' 10-1/2"	7/16"	40X LF
BH-7233-68	40060-E2/40062	324-1/2"		40E
BH-7233-69	40060-3/40061	184-1/4"		40 Series
BH-7233-70	40060-4/40060	118"		40 Series
BH-7233-71	40060-E1/40063	391-1/4"		40E
BH-7233-72	40060-S140184	366-1/4"		40S & 40N
BH-7233-73	40060-S2/40183	299-1/2"		40S & 40N
BH-7233-74	40060-X1	418-3/4"		40XL
BH-7233-75	40060-X2	352"		40XL
BH-7234-23	X10-094	33' 8"		X10
BH-7234-200	12019			15002, 18002
BH-7234-201	12020			15002, 18002
BH-7234-05	12100			15000, 18000
BH-7234-202	12101	40' 5-1/2"	3/8"	15000, 18000
BH-7234-275	12531	37' 11-3/4"	3/8"	12000
BH-7234-412	JSJ5-04-00CH			E10
BH-7234-412F	JSJ5-04-00CH	391"		E10
BH-7234-412H	JSJ5-04-00CHH	437-1/2"		
BH-7234-412L		406"		E10

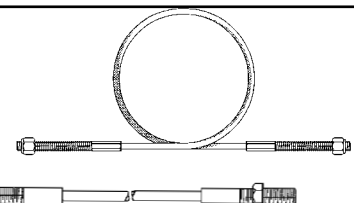


Lock Release Cables

BH-7225-54	200298	40'	1/16"	SPLR Cable
BH-7225-87	210063	26'	1/16"	
BH-7227-08	36112	28'		SPLR Cable
BH-7230-90	37104			Lock Release Kit 36,000 & 39,000
BH-7231-08	37104-2			Lock Release Kit 36,000 & 39,000 EH2
BH-7232-38	A-1135-0	24' 4"		CL-9
BH-7232-39	A-1135-1	26' 4"		CL-9-1
BH-7232-40	A-1135-2	28' 4"		CL-9-2
BH-7232-68	A2135-0			CL-10
BH-7232-69	A2135-2			CL-10-2
BH-7234-24	X10-097 JS-J5-06	34' 1-1/2"	1/16"	X10, E10, ACD210S



**Equalizer Cable
BH-7232-53**



Don't forget to order Height Extensions!



BH-7232-17HDA-P
SVI Exclusive: Heavy duty adapter base with increased plate thickness and additional welding process. (CL9, CL10)



BH-7225-03
(For models 20000, 21000, 26000, 27000, 27000 Plus, 28000, 30000, 31000, 31000 Spirit, 33000, 35000, 36000, 37000, 39000)



BH-7234-01
5" Slip-On Height Extension (Quality Lift Model)
OR KIT: BH-7234-01K

See Previous Pages for Height Extensions, Pads and Hangers



SVI's Product Line is Vast

CONTACT US TODAY IF THERE'S SOMETHING YOU CAN'T FIND

800-321-8173 • 815-748-0200 • www.sviinternational.com



Shims for 3/4" Wedge and Screw Anchors

Color Coded Shims are In-Stock! Order Today!

BH-7512-92	Assortment	150 Shims (50 each)
BH-7512-90	1/16" Blue	Pack of 50
BH-7512-91	1/8" Red	Pack of 50
BH-7512-89	1/4" Black	Pack of 50

HEAVY DUTY PLASTIC SLOTTED SHIMS

Extra-thick shims make it easy to level and align 2- and 4-post surface mount lifts. These rugged plastic shims will not corrode, rot or rust. A must-have for every professional lift installer in the industry.



Installation Kits Available

Installation Supplies

- Carbide Drill Bits
- Core Bits
- Epoxy and Adhesives
- Wedge Anchors
- Screw Anchors
- Rebar Cutters and Adapter
- Rod Seal Install Tools
- Safety & Inspection Stickers

Many Sizes Available!



Simpson Carbide Drill Bits Many Options and Sizes Available!
 BH-7064Q-12-21 (Drilling Depth 16" / 3/4" dia.) SDS Max Quad Head Bit
 BH-7065Q-12-23 (Drilling Depth 18" / 3/4" dia.) Spline Shank Quad Head Bit
 BH-7065Q-12-16 (Drilling Depth 11" / 3/4" dia.) Spline Shank Quad Head Bit



Wheel / Tire Hanger Kits

Increase Efficiency • For Any Budget



BH-7545-70K-4 Kit of 4
 BH-7545-70K Individual
Includes Hardware

SF-92100
 Set of 2



Wedge Anchors
 Many Sizes Available!
 BH-7075-03
 3/4" x 5-1/2"

Ask How to Get Free Shipping on Wedge Anchors!



Screw Anchors
 Many Sizes Available!
 BH-7075-26
 1/2" x 4"
 BH-7075-37
 3/4" x 5"



Rod Seal Install Tool Set
 BH-7079-01
 Includes 3 Install Tools to Service 3/4" ID Seals up to 3" ID Seals



Inspection Stickers
 Roll of 250
 BH-7011-11

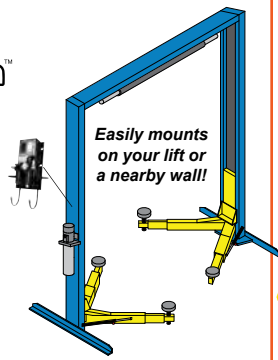
ASK FOR OUR INSTALLATION SUPPLIES CATALOG

Air / Hydraulic Pumps for Rolling Bridge Jacks

Options Available—Call Today!



**POWER STATION™
 AIR / ELECTRIC
 UTILITY BOX**



Easily mounts on your lift or a nearby wall!

Vehicle Lifts and Lifting Equipment

New Lifts for Cars, Trucks, Buses, Motorcycles, UTVs and More
 Replacement Cylinders Sections & Kits • Turf Trays for 2-Post Lifts



SVI's Product Line is Vast

CONTACT US TODAY IF THERE'S SOMETHING YOU CAN'T FIND

800-321-8173 • 815-748-0200 • www.sviinternational.com

INCREASE EFFICIENCY • ELIMINATE COSTLY DAMAGE TO DOORS • REDUCE STRESS OF SHOP TECHNICIANS

doorjammer **PRO**™
Durable • Impact Resistant

A Must-Have for All 2-Post Lifts!

Available in 2 Sizes!

- BH-7077-02-2S 12" tall x 18" wide
- BH-7077-02-2 24" tall x 18" wide

Prevents Door Dings!
Just one damaged door can cost
3 times as much as a simple investment
in one SVI doorjammerPRO™.



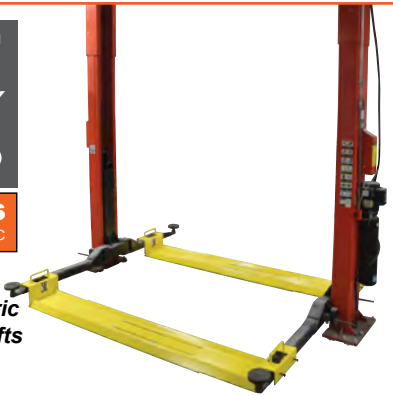
Auto Lift Cables and Chain Sheaves / Pulleys / Chain Rollers



TURF AND UTILITY TRAYS

FOR 2-POST LIFTS
SYMMETRIC / ASYMMETRIC

*The #1 Choice for
Symmetric or Asymmetric
2-Post Surface Mount Lifts
and In-Ground
Side-By-Side, too!*



Hose Reel Hose Stops

Options Available—Call Today!



Auto Lift Power Units and Parts

Call SVI today!



Tire Changer Parts and Accessories

For Most Makes and Models

See our *Tire Changer Repair Parts Catalog!*



Brake Lathe Repair Parts

For Most Makes and Models

See our *Brake Lathe Repair Parts Catalog!*

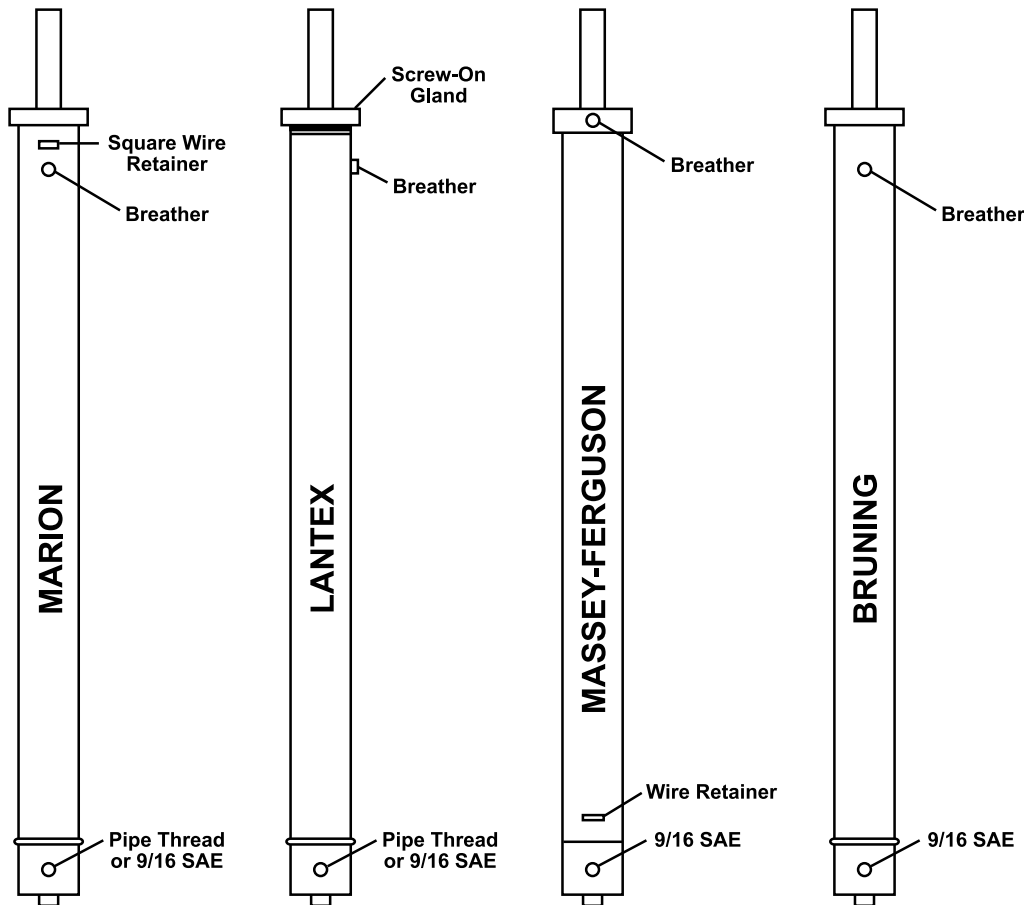




DIRECTFIT™

Hydraulic Cylinder Reference













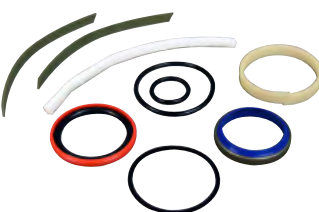
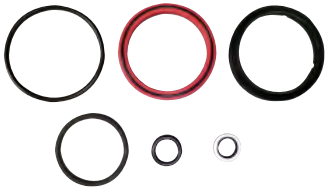

Models	Repl. Cyl. Part #	Seal Kit Part #	Description
26/27/30/31	BH-7225-10	BH-7225-59	2-1/2" bore x 36-1/2" stroke (Holmac)
26/27/30/31	BH-7225-10	BH-7225-60	2-1/2" bore x 36-1/2" stroke (Arlington)
26/27/30/31	BH-7225-10	BH-7226-60	2-1/2" bore x 36-1/2" stroke (Lantex)
26/27/30/31	BH-7225-10	BH-7226-10	2-1/2" bore x 36-1/2" stroke (Bruning)
26/27/30/31	BH-7225-10	BH-7225-06	2-1/2" bore x 36-1/2" stroke (Massey-Ferguson)
26/27/30/31	BH-7225-10	BH-7225-58	2-1/2" bore x 36-1/2" stroke (Seitz)
26/27/30/31	BH-7225-10	BH-7225-27	3" bore x 36-1/2" stroke (Marion)
37/39/70	BH-7231-21	BH-7226-56	2" bore x 72" stroke (Holmac)
37/39/70/12000	BH-7231-21	BH-7226-62	2" bore x 72" stroke (Pacoma)
37/39/70	BH-7231-21	BH-7232-18SK	2" bore x 72" stroke (SVI)
37/39/70	BH-7231-21	BH-7228-99	2" bore x 72" stroke (Arlington)
39S	call for details	BH-7226-62	2" bore x 65" stroke (Pacoma)
15000	call for details	BH-7231-37	2-1/2" bore x 69" stroke (Pacoma)
CL9/CL10/ CS9200/ 0920/1020W/1220	BH-7232-18	BH-7226-62	2" bore x 68" stroke (Pacoma)
CL9/CL10/ CS9200/ 0920/1020W/1220	BH-7232-18	BH-7232-18SK	2" bore x 68" stroke (SVI)
CL-10, EV1020, SA10	BH-7232-18R (16138R)	BH-7232-18R-SK	call for details
E10, E12	call for details	BH-7234-232	call for details
64/65	N/A	BH-7231-22	2-1/4" bore x 22-1/4" stroke (Multi-Line)
64/65	BH-7101-42	BH-7231-36	2-1/4" bore x 22-1/4" stroke (Arlington)
40000 Series	BH-7234-400		3-1/4" bore x 60" stroke (Holmac)
24012 Series	BH-7170-15	BH-7230-31A	3-1/4" bore x 60" stroke (Holmac) (after 7/97)



10 e e a a P

Seal Kits

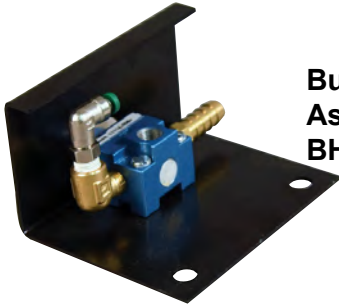
(Also see Hydraulic Cylinder Reference on previous page)

 <p>BH-7225-06 (Ref 11062, 200012) For Massey-Ferguson / Pacoma on models 26/27/30/31</p>	 <p>BH-7225-27 (Ref 11075, 200067) For Marion on models 26/27/30/31</p>	 <p>BH-7225-58 (Ref 200338) For Seitz on models 26/27/30/31</p>	 <p>BH-7225-59 (Ref 11013, 200340) For Holmac on models 26/27/30/31</p>
 <p>BH-7225-60 (Ref 11012, 200341) For Arlington on models 26/27/30/31</p>	 <p>BH-7226-10 (Ref 11037, 200240) For Bruning on models 26/27/30/31</p>	 <p>BH-7226-60 (Ref 11038) For Lantex on models 26/27/30/31</p>	 <p>BH-7226-62 (Ref 11014) For Pacoma on 37/38/39S/70/12000/CL9/CL10/CS9200</p>
 <p>BH-7232-18SK For SVI Cylinder on 37/38/39S/70/12000/CL9/CL10/CS9200</p>	 <p>BH-7230-31A (Ref 591-50-1364) For Holmac on 24012 Series</p>	 <p>BH-7226-56 (Ref 11019, 360004) For Holmac on models 37/39/70</p>	 <p>BH-7233-95 (Ref 11400) For Yanti Fast 16138 / 39097</p>
 <p>BH-7231-37 (Ref 11191) For Pacoma on 15000</p>	 <p>BH-7232-18R-SK (Ref 16138R-SK) Seal Kit for 16138R Cylinder on CL10, EV1020, SA10</p>	 <p>BH-7234-232 (Ref JSJ4-07-00SK) Seal Kit for E10</p>	<p>Don't see the seal kit you need?</p> <p>Call today! 800-321-8173</p>

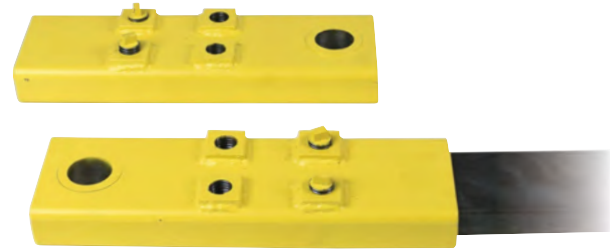


DIRECTFIT™

Commonly Requested Parts



Button Valve Assembly
BH-7229-38 (Ref 37014)



BH-7231-46 (Ref RJ45-ADT)
10" Extension Kit for Challenger Rolling Jacks (Set of 2)
"Ask for Adjust-A-Spot"



BH-7231-08
(Ref 37104-2)
Lock Release Cable Kit for 36000 EH-2 and 39000 EH-2



BH-7232-72
(Ref B40055, 40055)
Sheave Pin, Runway 40E / 40N / 40S
Also available— Ask about SVI's Greaseable Sheave Pins!



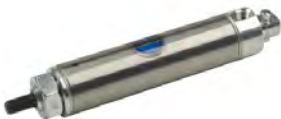
FRL Filter Regulator Lubricator for Challenger Models
FLR Only for 24100 Kit. Found on some rolling jack models RJ7.5, RJ7, RJ6, RJ9A, RJ9S, some 4-post models, others
BH-7545-97 (Ref 24101, S130080)



BH-7233-85K
Slider Block Conversion Kit for 4015
(Includes 8 block holders and 8 slider blocks)



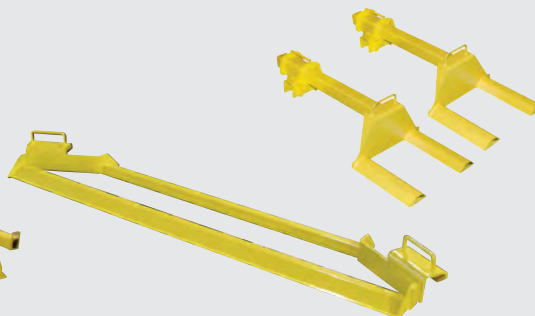
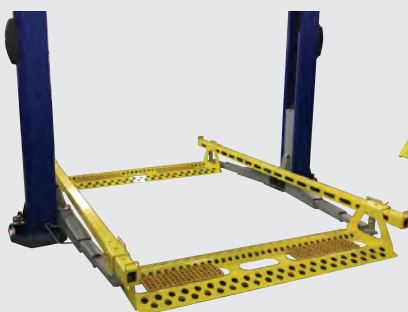
BH-7004-43
(Ref 4477-AB)
3-Phase Turnstile Switch



BH-7233-255
(Ref 6498K337-2.00)
Air Cylinder for Challenger 44025 / 44030

Turf Lift Attachments

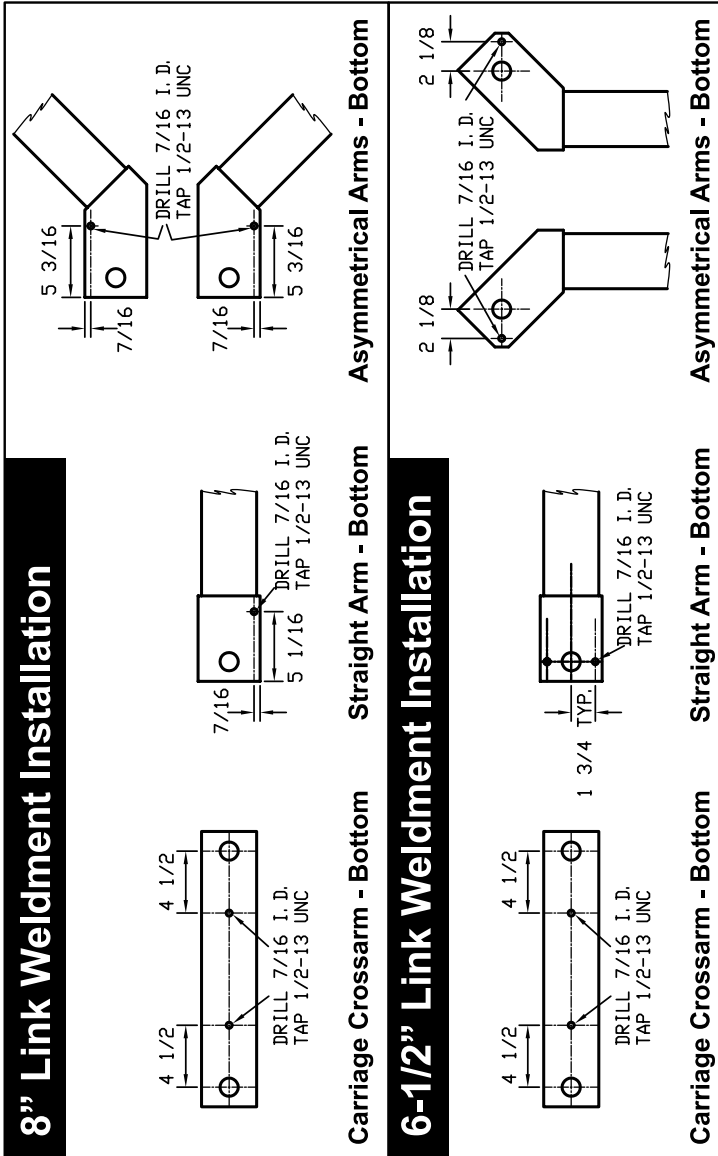
SVI offers various Turf Lift Attachments for Symmetric and Asymmetric 2-Post Lifts





DIRECTFIT™

BH-7226-57-99 - Arm Restraint Retro Kit



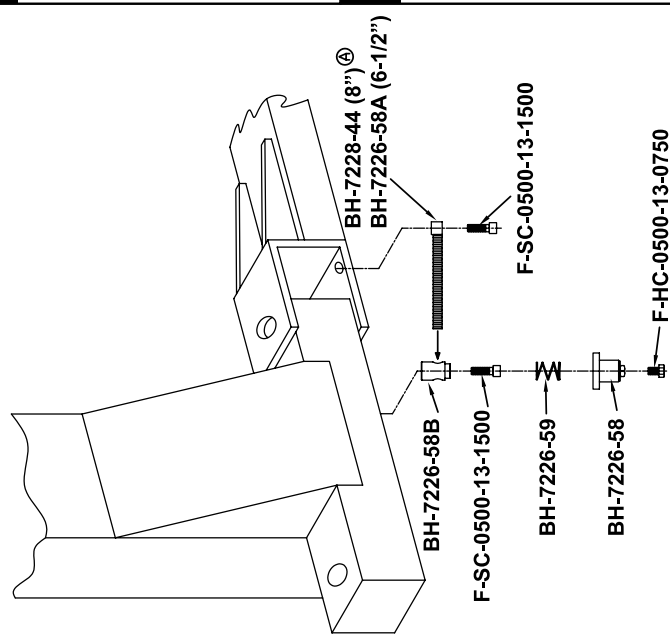
This drawing is the property of SVI International, Inc. It is not to be used or duplicated without written permission of the owner and is not to be used in any way inconsistent with the purpose for which it was loaned.

RETRO FIT PROCEDURE

- Drill and tap bottom side of carriage crossarm as described above.
- Drill and tap bottom pin plate of straight arms as described above.
- Drill and tap bottom pin plate of asymmetrical arms as described above.

INSTALLATION PROCEDURE

1. Fasten Insert BH-7226-58B to carriage crossarm using bolt F-SC-0500-13-1500. Tighten until snug then back off 1/8 turn of a turn. Insure that insert is free to swivel.
2. Insert spring BH-7226-59 into sleeve BH-7226-58 and push assembly over insert BH-7226-58B. While holding assembly together insert link BH-7226-58A or BH-7226-71 through complete assembly.
3. Rotate entire assembly until the link eye and tapped hole in the bottom pin plate are aligned. Fasten link BH-7226-58A to pin plate using bolt F-SC-0500-13-1500. Tighten until snug, then back off 1/8 of a turn.
4. Adjust bolt F-HC-0500-13-0750 for proper disengagement when lift is lowered completely.





DIRECTFIT™

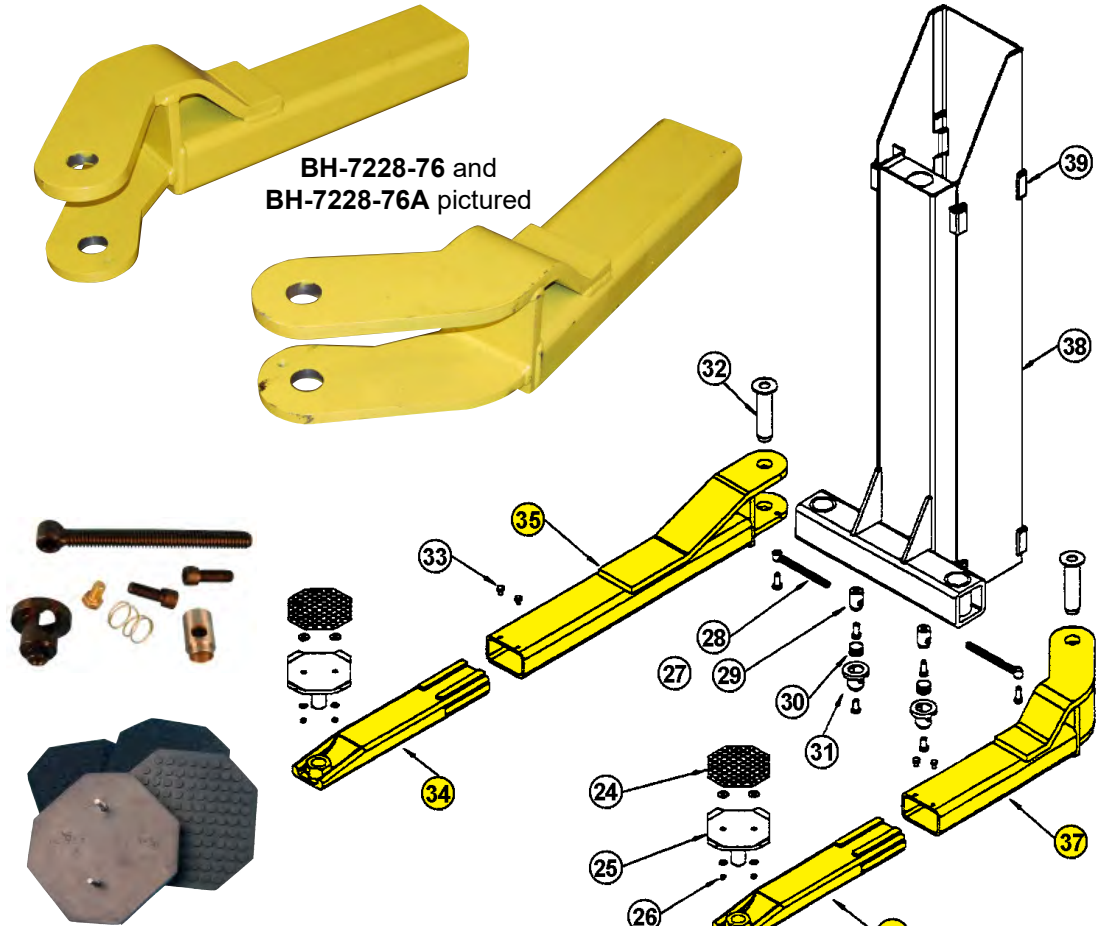
Replacement Arms for Challenger Lifts

AVAILABLE FROM SVI!

For Models:

- 20000
- 21000
- 26000
- 27000
- 27000 Plus
- 28000
- 30000
- 31000 Spirit
- 31000
- 33000
- 35000
- 36000
- 37000
- 39000
- 70000
- 71000

Call for arms available or for details on how to get what you need made!



For Challenger Models 36000, 37000, 39000 pictured

(7000 lb. capacity for models 36000 & 37000 / 9000 lb. capacity for model 39000)

Item	SVI part #	OEM #	Req	Description
24	BH-7225-01	31057	4	Rubber Pads
	BH-7225-01-4	31057		Arm Pad Kit (4 pads for 1 lift)
25	BH-7225-03	31133	4	Adapter 3-1/2" w/Rubber Pad
26	F-HN-0250-20	31061	8	Push Nut 1/4"
27	BH-7226-25	31052	4	Arm Restraint Kit with Hardware
27a	BH-7226-57		1	Arm Restraint Kit - Complete Lift
28	BH-7229-62	31110	4	Link Weldment
29	BH-7229-40	31108	4	Arm Restraint Insert
30	BH-7229-60	31109	4	Spring
31	BH-7229-41	31107	4	Sleeve Weldment
32	BH-7225-15	31134	4	Arm Pin 1-1/2" x 6"
	BH-7225-15A		4	Arm Pin - Call with Size
	BH-7225-15B		4	Arm Pin - Call with Size
	BH-7225-15C		4	Arm Pin - Call with Size
33	F-HC-0375-16-0750	31305	8	Ext. Stop Bolts 3/8-16 x 3/4
34	BH-7227-56	37044	2	Arm Inner Rear for 36000 & 37000
	BH-7226-69C	39074	2	Arm Inner Rear for 39000
35	BH-7226-69	39017	2	Female Arm Outer-Rear Assy for 36000, 37000, and 39000

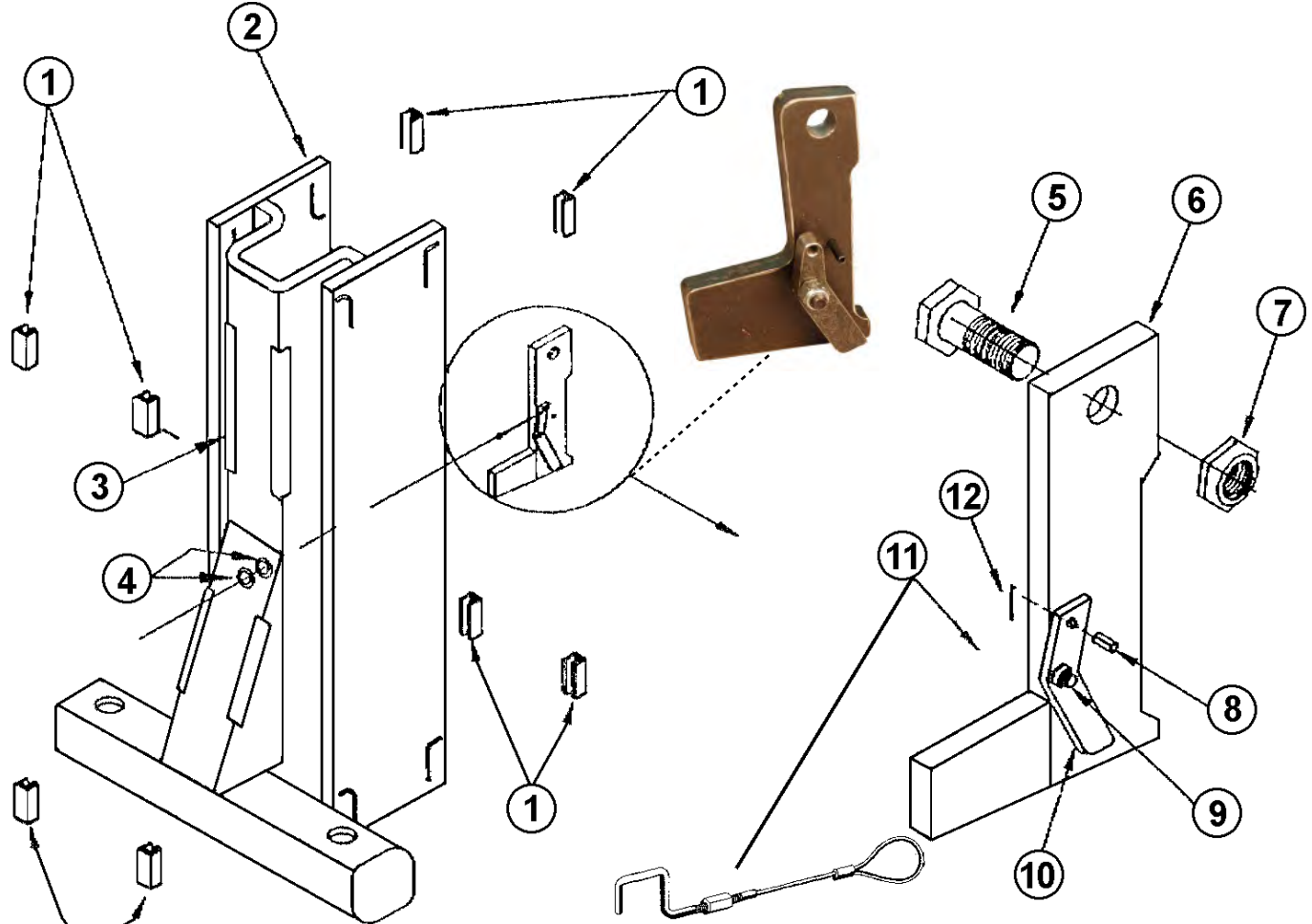
Item	SVI part #	OEM #	Req	Description
36	BH-7227-58	37047	2	Arm Inner Front for 36000 & 37000
	BH-7226-69B	39019	2	Arm Inner Front for 39000
37	BH-7228-76	39076	1	Arm Outer LF for 36000, 37000 & 39000
	BH-7228-76A	39077	1	Arm Outer RF for 36000, 37000 & 39000
38	BH-7227-64	37086	2	Carriage 3" Lock Intervals for 36000 and 37000
	BH-7227-79	39053	2	Carriage 3" Lock Intervals for 39000
38a	BH-7229-85	11099	2	Carriage 6" Lock Intervals for 36000 and 37000
	BH-7229-86	11100	2	Carriage 6" Lock Intervals for 39000
39	BH-7225-23	31023	**	Slotted Slider Block
	BH-7226-63	36011	**	Solid Slider Block
	BH-7225-23OS	11036	**	Oversize Slotted Slider Blocks
	BH-7226-64	11077	**	Oversize Solid Slider Blocks

**** If slider blocks have dropped out of carriage, order oversize slider blocks. 36000:** takes 16 of the BH-7225-23 or -23OS **37000 & 39000:** could have combination of slotted or solid (8 each per lift). Please check the style of slider blocks on your lift and call an SVI rep today!

P
a
g
e
14

For Models 20000, 21000, 26000, 27000 Plus, 28000, 30000, 31000 Spirit, 33000, 35000

Lock Latch and Slider Block



BH-7225-23
 Slider Blocks available as standard size or oversized.

11 Safety Latch Release Handle
BH-7226-01

Item	SVI part #	OEM #	Req	Description
1	BH-7225-23	31023	16	Slider UHMW with Metal Insert
	BH-7225-23OS	11036		Oversized Slider w/Metal Insert
2	BH-7225-24	200056	2	Carriage Assembly 20000
	BH-7225-62	210002		Carriage Assembly 21000
	BH-7225-91	260003		Carriage Assembly 26000
	BH-7226-05	270002		Carriage Assembly 27000 Plus
	BH-7226-32	330002		Carriage Assembly 33000
2a	BH-7225-29	200111	2	Carriage Weldment Only 20000
	BH-7225-61	210003		Carriage Weldment Only 21000
	BH-7225-90	260002		Carriage Weldment Only 26000
	BH-7226-04	270001		Carriage Weldment Only 27000 Plus
	BH-7226-31	330001		Carriage Weldment Only 33000

Item	SVI part #	OEM #	Req	Description
3	BH-7225-14	31056	8	Rubber Door Guard
4	BH-7225-30	31078	4	Grommets for Carriage
5	F-HC-0750-16-3000	200151	2	Mounting Bolt
6	BH-7225-17	31084	2	Lock Latch Assembly
7	BH-7229-92	200152	2	Mounting Locknut
8	F-RP-250-1750	200156	2	1/4" x 1-3/4" Roll Pin
9	F-NL-0500-20	200155	2	1/2-20 Nylock Locknut
10	BH-7225-17	31262	2	Lock Latch Release Bar
11	BH-7226-01	31150/51	2	Safety Latch Release Handle



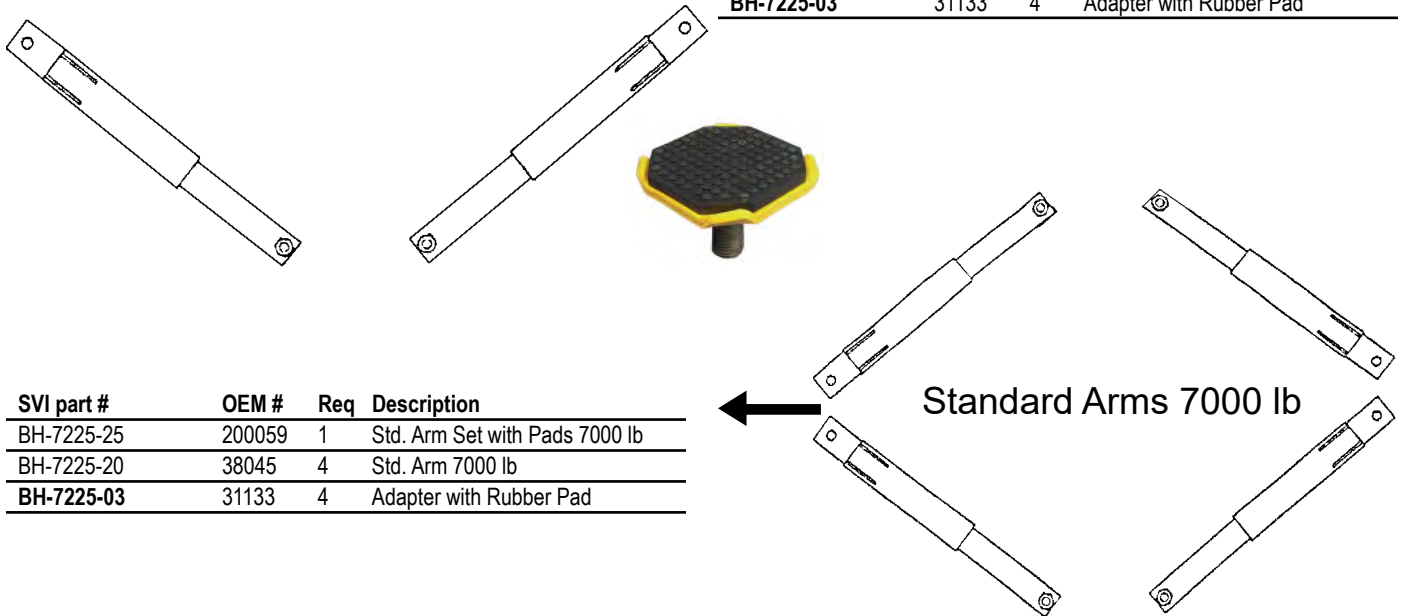
For Models 20000, 21000, 28000, 30000, 31000 Spirit

DIRECTFIT™



Asymmetrical Arms 7000 lb

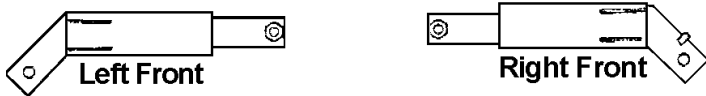
SVI part #	OEM #	Req	Description
BH-7225-26	37043	1	Arm Assembly Set with Pads 7000 lb
BH-7225-22L	27059	1	Arm Assembly Front Left 7000 lb
BH-7225-22	37060	1	Arm Assembly Front Right 7000 lb
BH-7225-21	37061	2	Arm Assembly Rear 7000 lb
BH-7225-03	31133	4	Adapter with Rubber Pad



Standard Arms 7000 lb

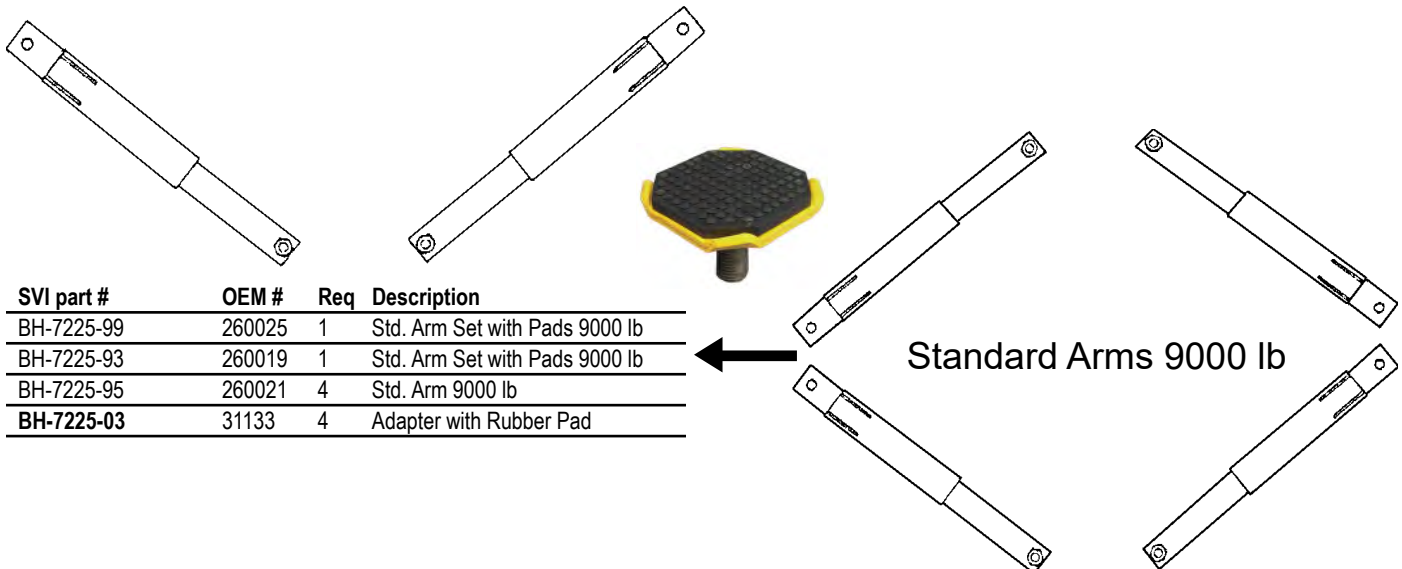
SVI part #	OEM #	Req	Description
BH-7225-25	200059	1	Std. Arm Set with Pads 7000 lb
BH-7225-20	38045	4	Std. Arm 7000 lb
BH-7225-03	31133	4	Adapter with Rubber Pad

For Models 26000, 27000 Plus



Asymmetrical Arms 9000 lb

SVI part #	OEM #	Req	Description
BH-7226-00	260026	1	Arm Assembly Set with Pads 9000 lb
BH-7225-94	260020	1	Arm Assembly Set with Pads 9000 lb
BH-7225-96	260022	1	Arm Assembly Front Left 9000 lb
BH-7225-97	260023	1	Arm Assembly Front Right 9000 lb
BH-7225-98	260024	2	Arm Assembly Rear 9000 lb
BH-7225-03	31133	4	Adapter with Rubber Pad

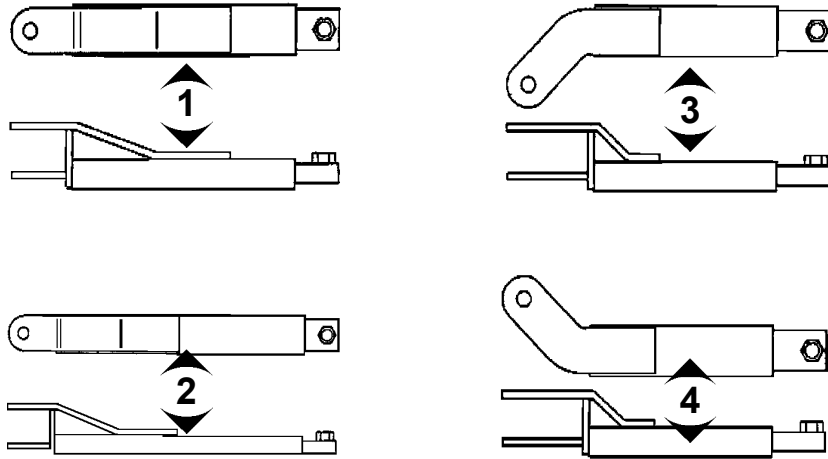


Standard Arms 9000 lb

SVI part #	OEM #	Req	Description
BH-7225-99	260025	1	Std. Arm Set with Pads 9000 lb
BH-7225-93	260019	1	Std. Arm Set with Pads 9000 lb
BH-7225-95	260021	4	Std. Arm 9000 lb
BH-7225-03	31133	4	Adapter with Rubber Pad

P
a
g
e

Arm Assemblies for 9000 lb.



Item	SVI part #	OEM #	Req	Description
1	BH-7230-86	38085	4	Standard Arm 9000 lb
2	BH-7225-98	39038, 260024	2	Rear 9000 lb
3	BH-7225-96	39036, 260022	1	Left Front 9000 lb
4	BH-7225-97	39037, 260023	1	Right Front 9000 lb

Please call to verify model and serial number for arms.

Auto Lift Power Units and Parts
Call SVI today!

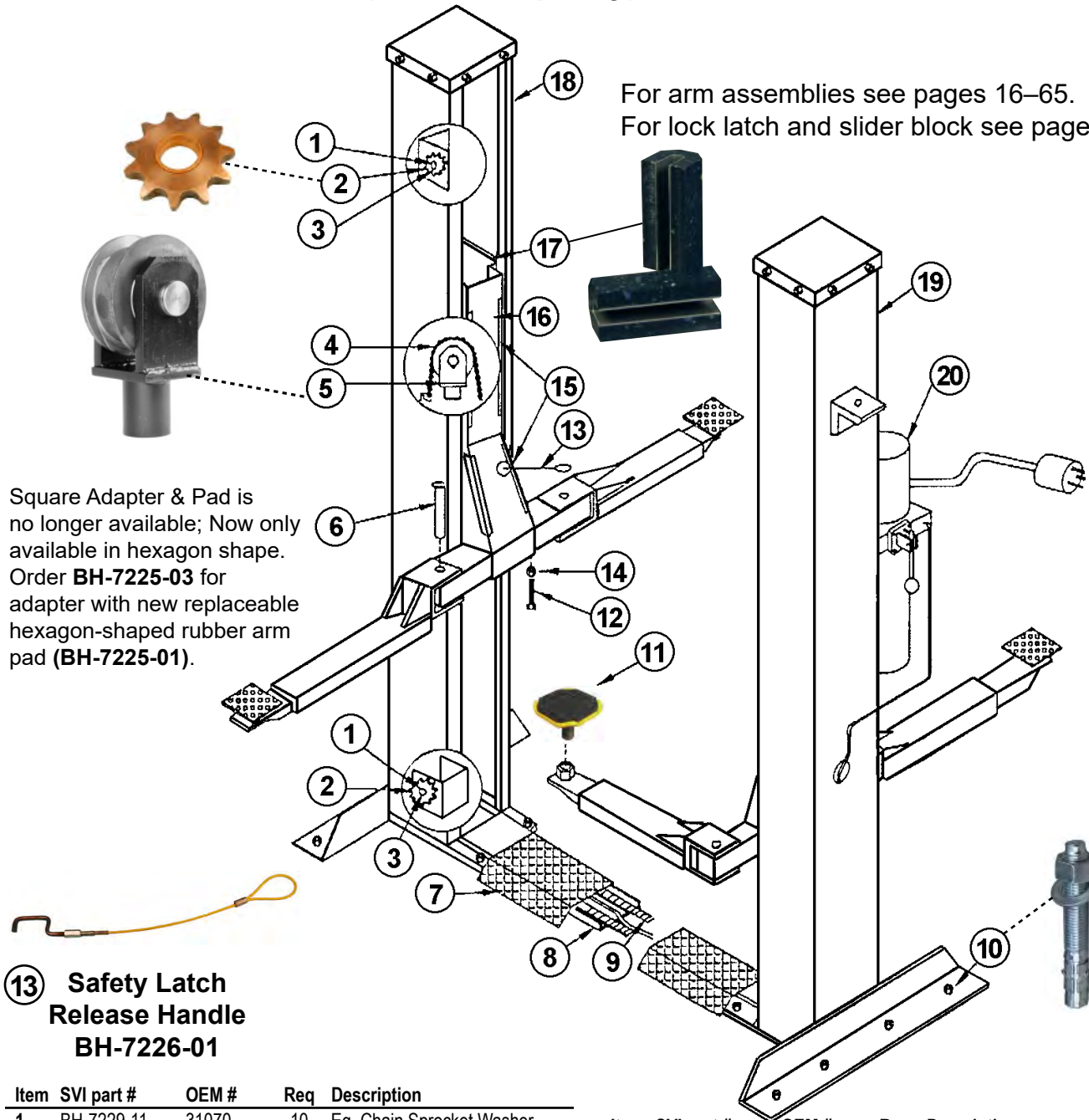
power station™

POWER STATION™ AIR / ELECTRIC UTILITY BOX

Easily mounts on your lift or a nearby wall!

For Model 20000 (7000 lb. capacity)

For arm assemblies see pages 16–65.
For lock latch and slider block see page 15.



Square Adapter & Pad is no longer available; Now only available in hexagon shape. Order **BH-7225-03** for adapter with new replaceable hexagon-shaped rubber arm pad (**BH-7225-01**).

**13 Safety Latch Release Handle
BH-7226-01**

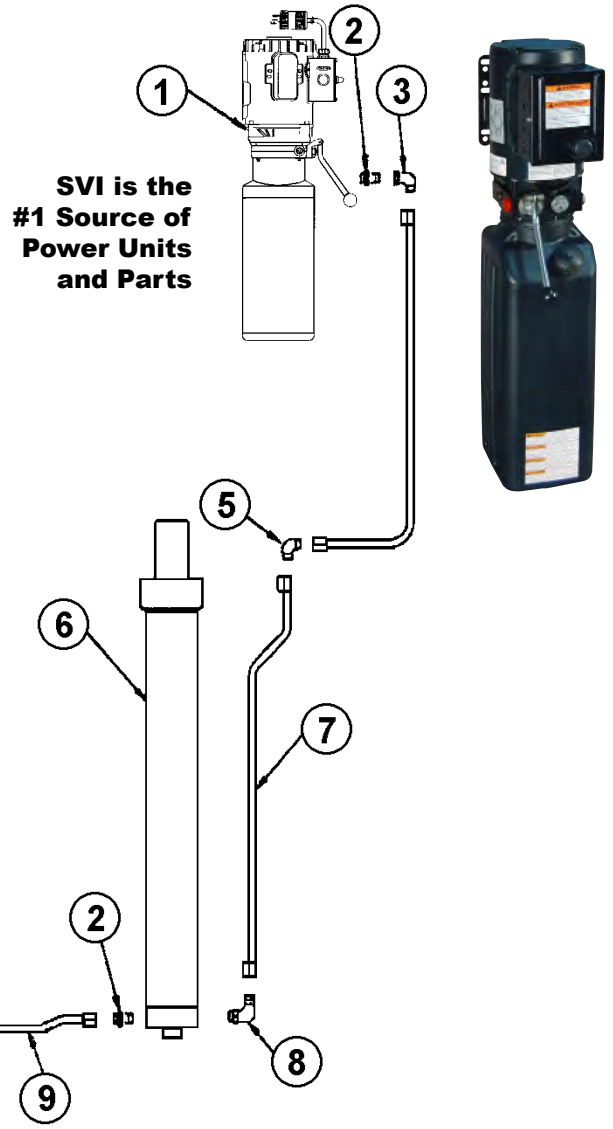
Item	SVI part #	OEM #	Req	Description
1	BH-7229-11	31070	10	Eq. Chain Sprocket Washer
2	BH-7225-09	26008	6	Eq. Chain Sprocket
3	BH-7225-16	31021	10	1-3/8" External Snap Ring
4	BH-7028	30019	74	3/4 Leaf Chain - Need two 74 pitch pcs. if doing complete lift
5	BH-7229-04	31033	2	Cylinder Rod End Assembly
6	BH-7225-15	31134	4	Arm Pin 1-1/2"x6"
	BH-7225-15A		4	Arm Pin - Call w/size
	BH-7225-15B		4	Arm Pin - Call w/size
	BH-7225-15C		4	Arm Pin - Call w/size
7*	BH-7225-07A	26003P	1	Drive Over Plate Only
8	BH-7225-08	26003T	1	Drive Over Trough Only
7-8*	BH-7225-07			Plate and Trough Assembly
9	BH-7226-29	26061	2	#80 Roller Chain 80 Pitches
10	BH-7075-03	31058	12	Anchor Bolt 3/4 x 5-1/2

Item	SVI part #	OEM #	Req	Description
11	BH-7225-03	31133	4	Adapter 3-1/2" w/ Rubber Pad
12	F-HN-0500-13	200166	2	1/2" Stop Bolt
13	BH-7226-01	31150/51	2	Safety Latch Release Handle
14	F-JN-0500-13	200202	2	Jam Nut for Stop Bolt
15	BH-7225-14	31056	8	Rubber Door Guard
16	BH-7225-24	200056	2	Carriage Assembly
16	BH-7225-29	200111	2	Carriage Weldment Only
17	BH-7225-23	31023	16	Slider UHMW w/Metal Insert
	BH-7225-23OS	11036	16	Over Sized Slider w/ Metal Insert
18	BH-7227-43	200107	1	Idler Side Column Complete
19	BH-7227-44	200124	1	Power Side Column Complete
20	BH-7006-01		1	2HP 1PH 3.5 Gal Power Unit
	BH-7006-03		1	2HP 3PH 3.5 Gal Power Unit

*Modification may be necessary by installer.

P
a
g
e
18

For Model 20000 (7000 lb. capacity) Drive Over Hydraulic System



Item	SVI part #	OEM #	Req	Description
1	BH-7006-01		1	2HP 1PH 3.5 Gal Power Unit
	BH-7006-03		1	2HP 3PH 3.5 Gal Power Unit
2	BH-7230-74	36048	3	O-Ring Union
3	BH-7227-45	36051	1	90° Swivel Elbow
5	BH-7227-46	200007	1	90° Elbow, Tube to Tube
6	BH-7225-10	200001	2	Hydraulic Cylinder

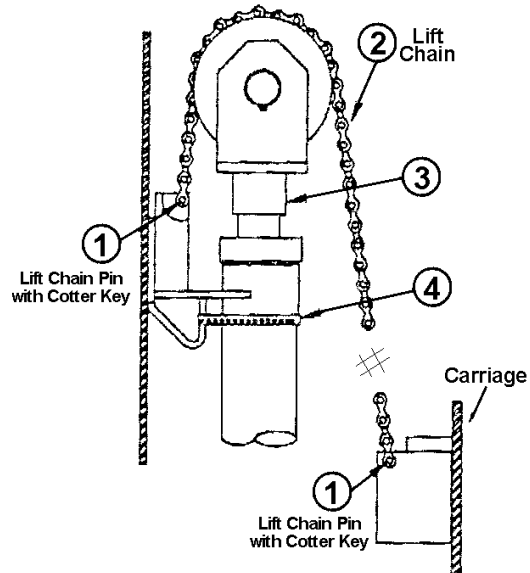
Item	SVI part #	OEM #	Req	Description
7	BH-7229-64	200038	1	Bot. Half Hyd. Line
8	BH-7228-45	31116	1	90° Elbow, O-Ring to Tube
9	BH-7228-07	26027	2	Hyd. Line, Cyl. to Drive Over
11	BH-7229-61	31047	2	Straight Union
12	BH-7228-47	200058	1	Hydraulic O-Ring Plug

For Model 20000 (7000 lb. capacity) Drive Chain Assembly

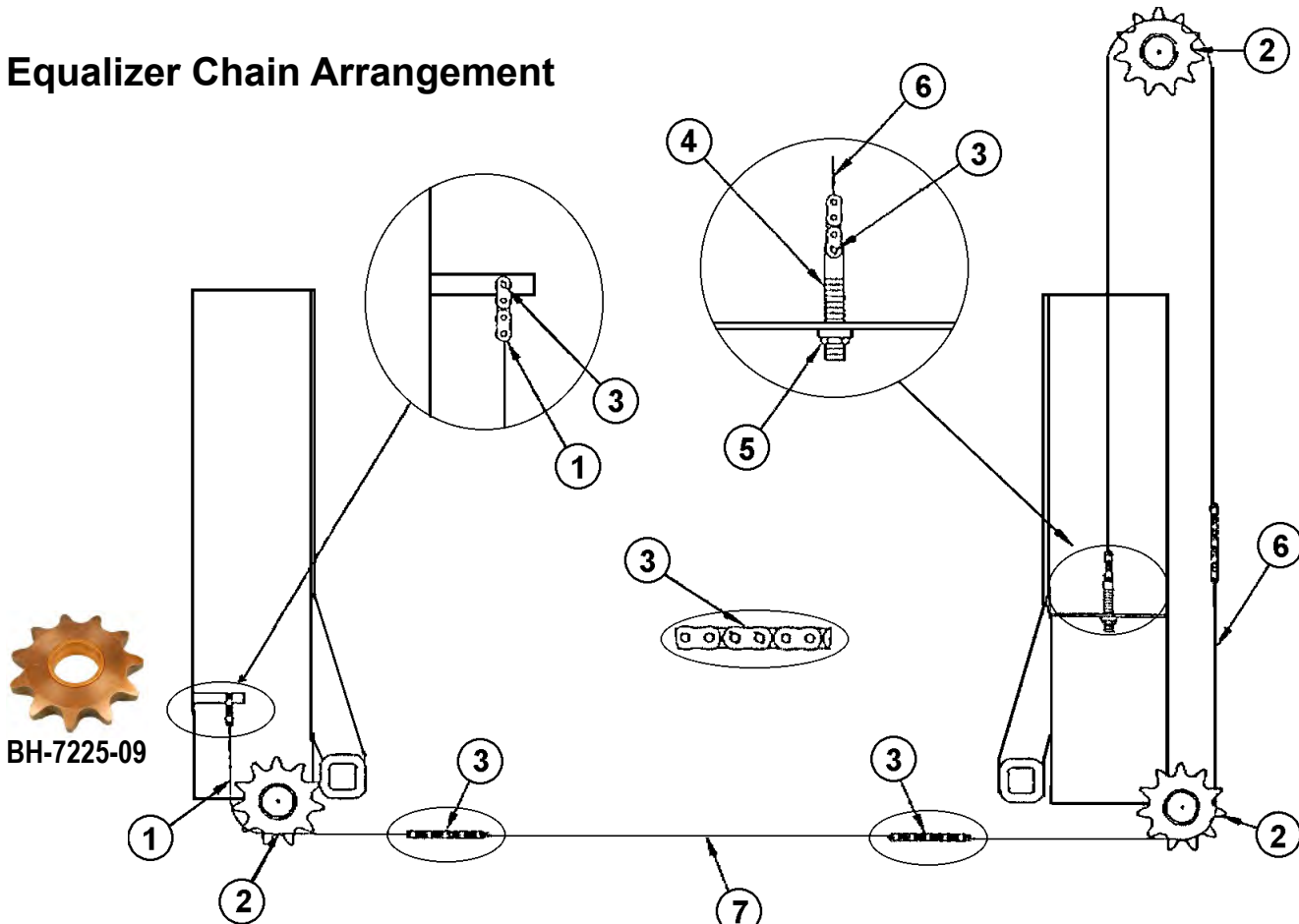
Item	SVI part #	OEM #	Req	Description
1	BH-7029-01	30030	4	Lift Chain Pin BL634
2	BH-7028	30019	74	3/4 Leaf Chain - Need two 74-pitch pcs if doing complete lift
3	BH-7229-04	31033	2	Cylinder Rod End Assembly
4	BH-7225-19	200047	2	Hydraulic Cylinder Clamp



BH-7229-04



Equalizer Chain Arrangement



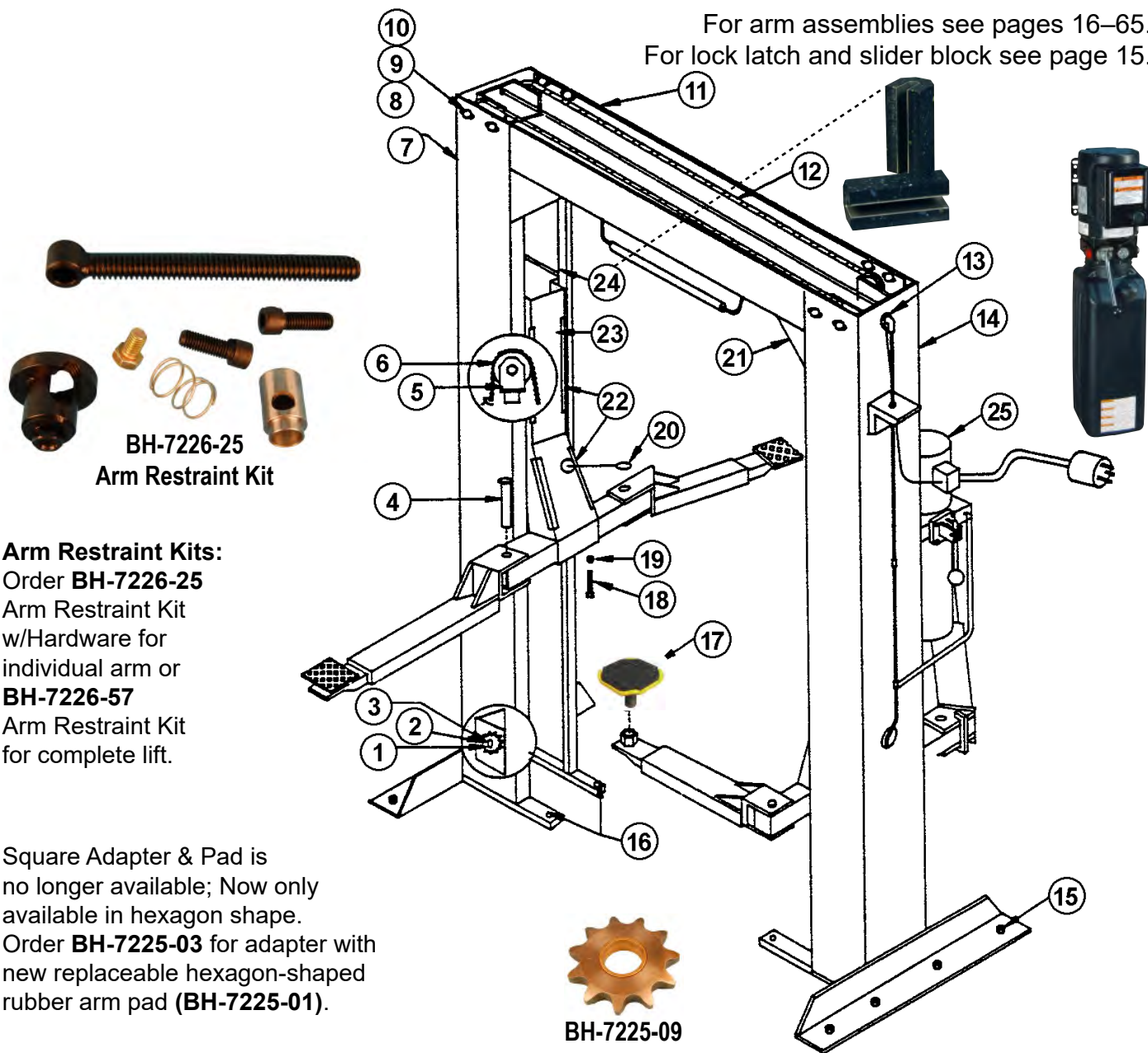
BH-7225-09

Item	SVI part #	OEM #	Req	Description
1	BH-7229-06	26046	2	Eq. Chain Lower 28 Pitches
2	BH-7225-09	26008	6	Eq. Chain Sprocket
3	BH-7026-01	11035	8	Master Link for Eq. Chain
4	BH-7225-18	26054	2	Adj. Stud for Eq. Chain

Item	SVI part #	OEM #	Req	Description
5	F-NL-0875-14	26055	2	7/8-14 Adjustment Lug
6	BH-7229-05	26053	2	Chain Upper 201 Pitches
7	BH-7226-29	26061	2	Roller Chain 80 Pitches

For Model 21000 (7000 lb. capacity)

For arm assemblies see pages 16–65.
For lock latch and slider block see page 15.



Arm Restraint Kits:

Order **BH-7226-25**
Arm Restraint Kit
w/Hardware for
individual arm or
BH-7226-57
Arm Restraint Kit
for complete lift.

Square Adapter & Pad is
no longer available; Now only
available in hexagon shape.
Order **BH-7225-03** for adapter with
new replaceable hexagon-shaped
rubber arm pad (**BH-7225-01**).

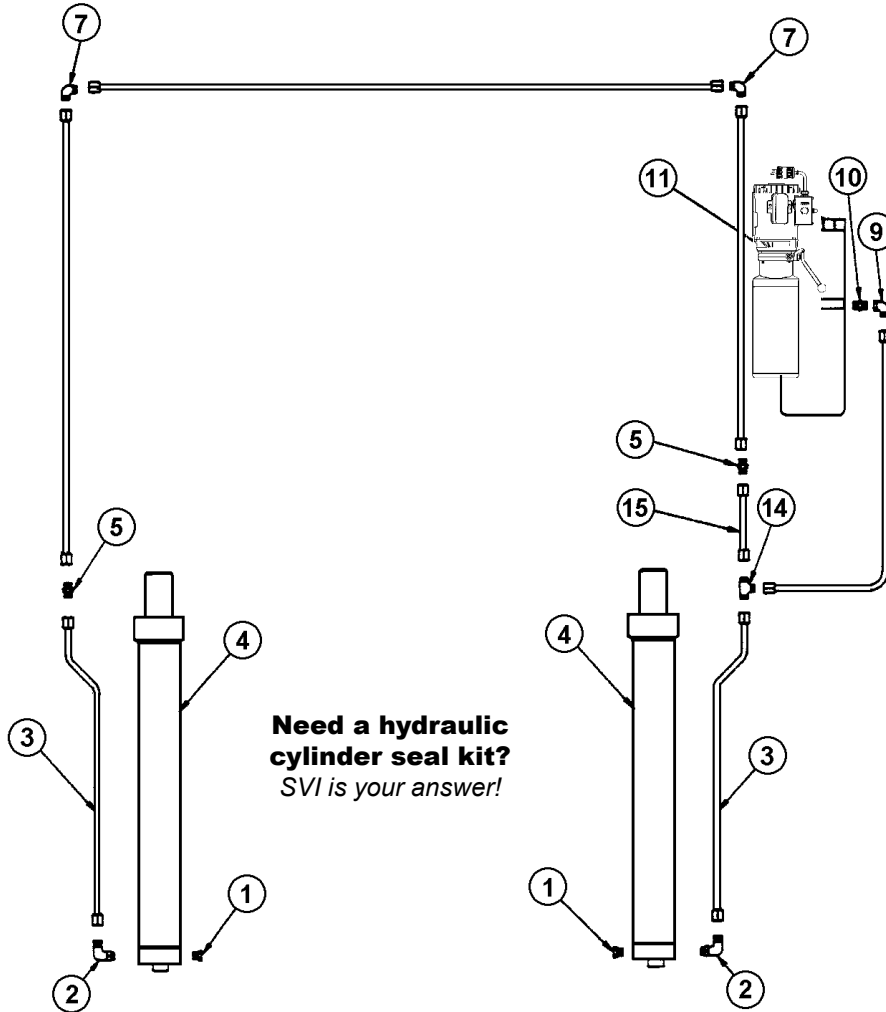
Item	SVI part #	OEM #	Req	Description
1	BH-7228-48	200011	10	Snap Ring
2	BH-7225-09	26008	6	Eq. Chain Sprocket
3	BH-7229-11	31070	10	Eq. Chain Sprocket Washer
4	BH-7225-15	31134	4	Arm Pin 1-1/2" x 6"
	BH-7225-15A		4	Arm Pin - Call with Size
	BH-7225-15B		4	Arm Pin - Call with Size
	BH-7225-15C		4	Arm Pin - Call with Size
5	BH-7229-04	31033	2	Cylinder Rod End Assembly
6	BH-7028	30019	74	3/4 Leaf Chain - Need two 74 pitch pieces if doing complete lift
12	call for details	210023	2	Eq. Chain 269 Pitches **Available—See SVI's LRC7020 Chain Booklet
13	BH-7225-66	210021	2	Rubber Grommet Top
14*	BH-7228-54	210019	1	Complete Power Side Column

Item	SVI part #	OEM #	Req	Description
15	BH-7075-03	31058	8	Anchor Bolt 3/4 x 5-1/2
16	BH-7228-55	210047	4	Plastic Base Plug
17	BH-7225-03	31133	4	Adapter 3-1/2 w/ Rubber Pad
18	F-HN-0500-13	200166	2	1/2" Stop Bolt
19	F-JN-0500-13	200202	2	Jam Nut for Stop Bolt
20	BH-7226-01	31150/51	2	Safety Latch Release Handle
21	BH-7225-64	210004	2	Gusset for Overhead
22	BH-7225-14	31056	8	Rubber Door Guard
24	BH-7225-23	31023	16	Slider UHMW w/Metal Insert
	BH-7225-23OS	11036	16	Oversized Slider w/Metal Insert
25	BH-7006-01		1	2HP 1PH 3.5 Gal. Power Unit
	BH-7006-03		1	2HP 3PH 3.5 Gal. Power Unit



For Model 21000 (7000 lb. capacity)

Overhead Hydraulic System



SVI is the #1 Source of Power Units and Parts

Need a hydraulic cylinder seal kit?
SVI is your answer!

Item	SVI part #	OEM #	Req	Description
1	BH-7228-47	200058	2	Hydraulic O-Ring Plug
2	BH-7229-66	200008	2	90° Connector, O-Ring x Tube
3	BH-7229-64	200038	2	Hydraulic Line, Cyl. to Column
4	BH-7225-10	200001	2	Hydraulic Cylinder
5	BH-7229-61	31047	2	Straight Union
7	BH-7227-46	200007	2	90° Elbow, Tube x Tube

Item	SVI part #	OEM #	Req	Description
9	F-A3405-6-6	200025	1	90° Swivel Elbow
10	BH-7230-74	36048	1	O-Ring Union
11	BH-7006-01		1	2HP 1PH 3.5 Gal. Power Unit
	BH-7006-03		1	2HP 3PH 3.5 Gal. Power Unit
14	BH-7226-83	31032	1	Union Tee Parker

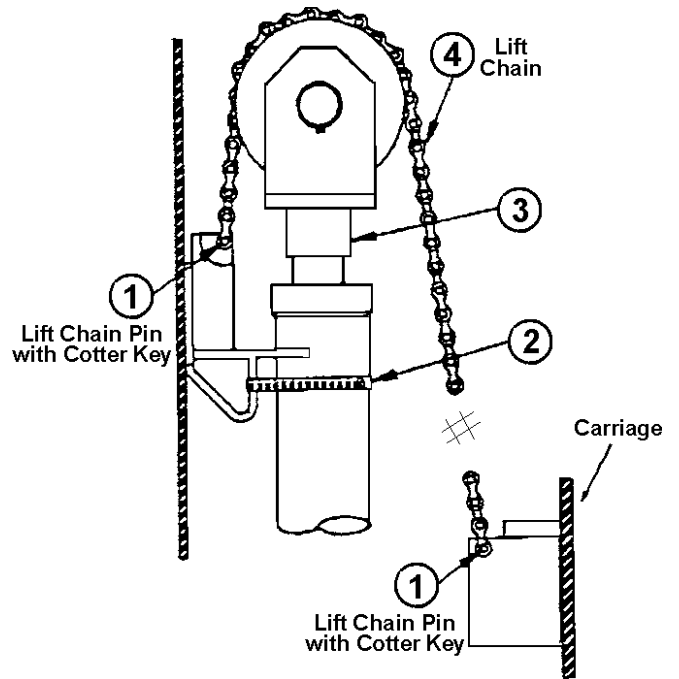
For Model 21000 (7000 lb. capacity)



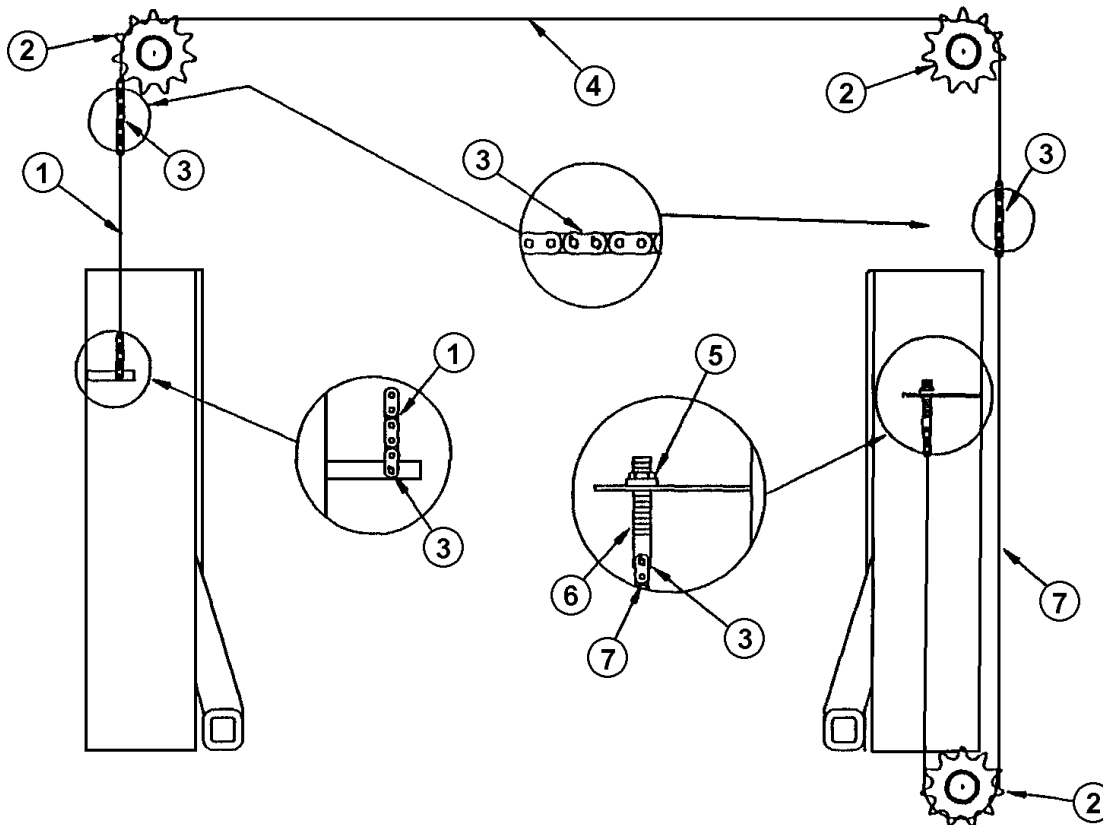
BH-7229-04

Drive Chain Assembly

Item	SVI part #	OEM #	Req	Description
1	BH-7029-01	30030	4	Lift Chain Pin
2	BH-7225-19	200047	2	Hydraulic Cylinder Clamp
3	BH-7229-04	31033	2	Cylinder Rod End Assembly
4	BH-7028	30019	74	3/4 Leaf Chain - Need two 74 pitch pieces if doing complete lift



Equalizer Chain Arrangement



BH-7225-09

Item	SVI part #	OEM #	Req	Description
1	BH-7229-06	26046	2	Eq. Chain Lower 28 Pitch
2	BH-7225-09	26008	6	Eq. Chain Sprocket
3	BH-7026-01	11035	8	Master Link
4	call for details	210023	2	Eq. Overhead Chain 269 Pitches

****Available—See SVI's LRC7020 Chain Booklet**

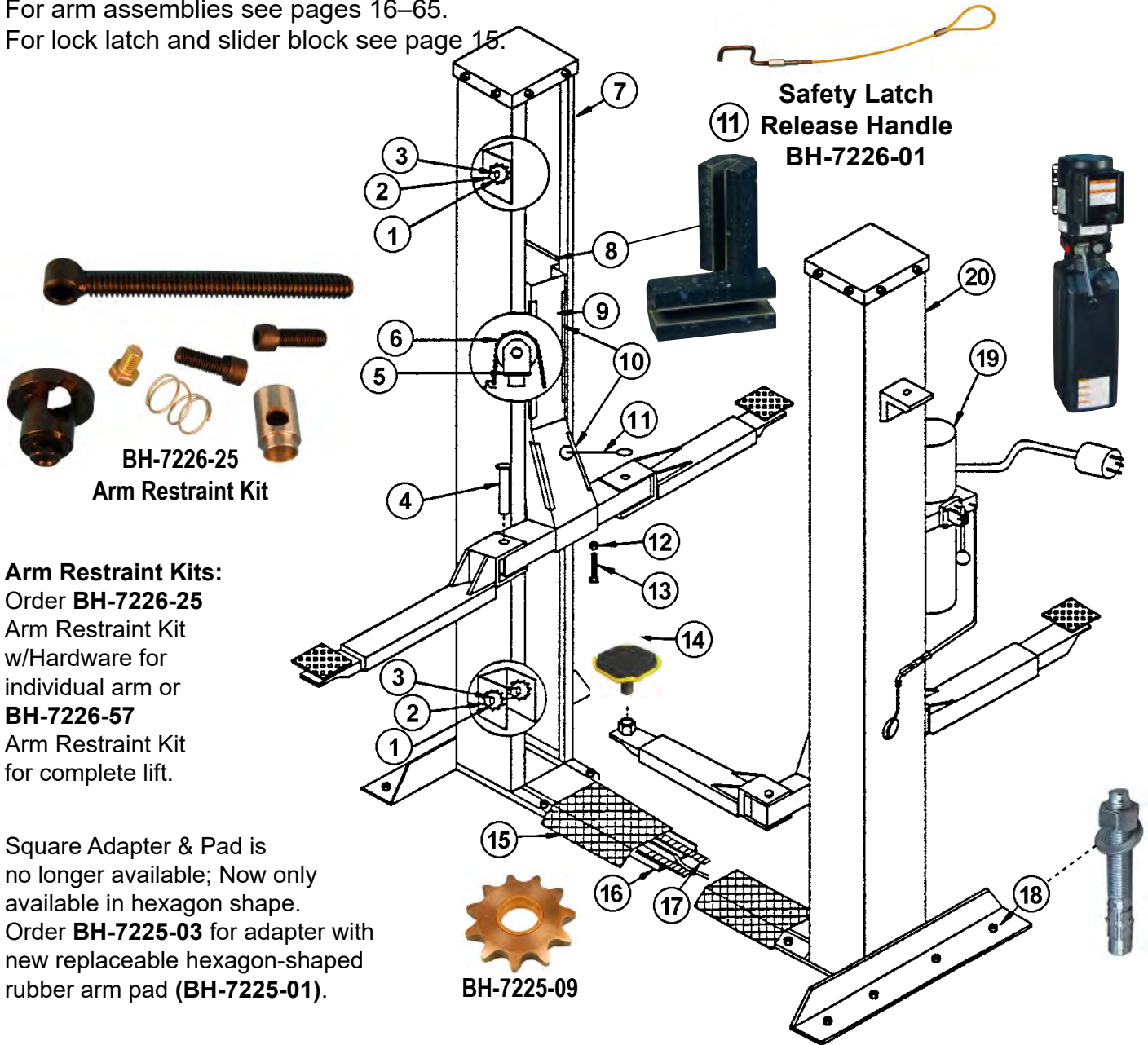
Item	SVI part #	OEM #	Req	Description
5	F-NL-0875-14	26055	2	7/8-14 Adjustment Lug
6	BH-7225-18	26054	2	Adj. Stud for Eq. Chain
7	call for details	210011	2	Eq. Chain Upper 110 Pitches

****Available—See SVI's LRC7020 Chain Booklet**

For Model 26000 (9000 lb. capacity)

For arm assemblies see pages 16–65.

For lock latch and slider block see page 15.



BH-7226-25
Arm Restraint Kit

11 Safety Latch
Release Handle
BH-7226-01

BH-7225-09

Arm Restraint Kits:

Order **BH-7226-25**

Arm Restraint Kit
w/Hardware for
individual arm or
BH-7226-57

Arm Restraint Kit
for complete lift.

Square Adapter & Pad is
no longer available; Now only
available in hexagon shape.

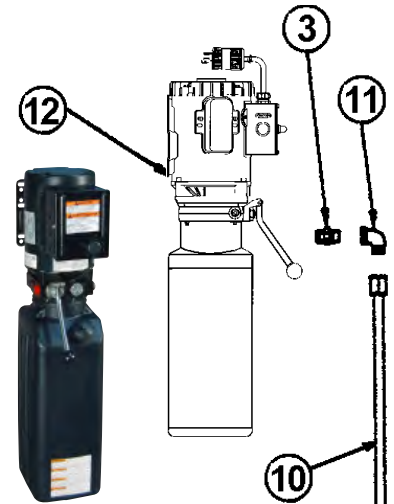
Order **BH-7225-03** for adapter with
new replaceable hexagon-shaped
rubber arm pad (**BH-7225-01**).

Item	SVI part #	OEM #	Req	Description
1	BH-7228-48	200011	10	Snap Ring
2	BH-7225-09	26008	60	Eq. Chain Sprocket
3	BH-7229-11	31070	10	Eq. Chain Sprocket Washer
4	BH-7225-15	31134	4	Arm Pin 1-1/2" x 6"
	BH-7225-15A		4	Arm Pin - Call w/size
	BH-7225-15B		4	Arm Pin - Call w/size
	BH-7225-15C		4	Arm Pin - Call w/size
5	BH-7229-04	31033	2	Cylinder Rod End Assembly
6	BH-7029	31079	74	3/4 Leaf Chain - Need two 74 pitch pieces if doing complete lift
7*	BH-7228-59	260009	1	Complete Idler Side Column
8	BH-7225-23	31023	16	Slider UHMW w/Metal Insert
	BH-7225-23OS	11036		Oversized Slider w/Metal Insert

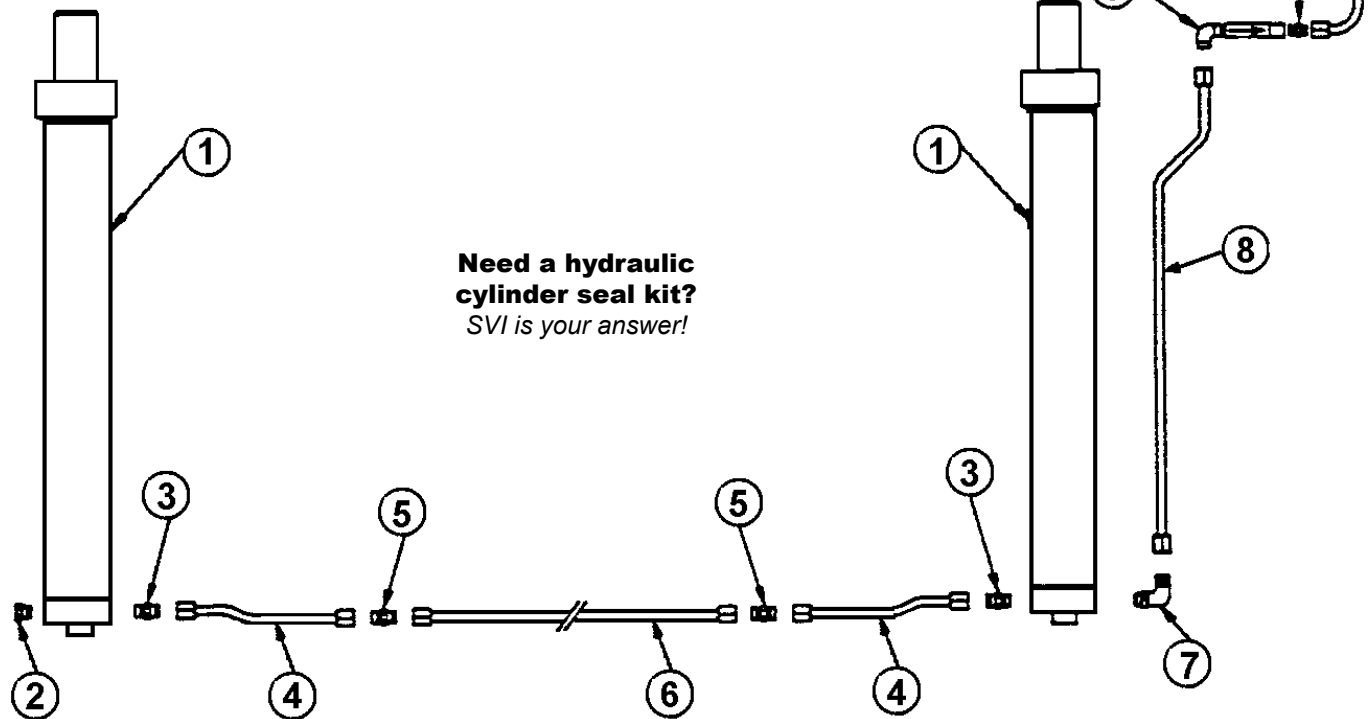
Item	SVI part #	OEM #	Req	Description
10	BH-7225-14	31056	8	Rubber Door Guard
11	BH-7226-01	31150/51	2	Safety Latch Release Handle
12	F-JN-0500-13	200202	2	Jam Nut for Stop Bolt 1/2-13
13	F-HN-0500-13	200166	2	1/2-13 Stop Bolt
14	BH-7225-03	31133	4	Adapter 3-1/2" w/ Rubber Pad
15**	BH-7225-07A	26003P	1	Driveover Plate Only
16	BH-7225-08	26003T	1	Driveover Trough Only
15-16**	BH-7225-07			Plate and Trough Assembly
17	BH-7226-29	26061	2	Roller Chain 80 Pitches
18	BH-7075-03	31058	12	Anchor Bolts 3/4 x 5-1/2
19	BH-7006-01	200072	1	2HP 1PH 3.5 Gal. Power Unit
	BH-7006-03		1	2HP 3PH 3.5 Gal. Power Unit
20*	BH-7228-60	260012	1	Complete Power Side Column

**Modification may be necessary by installer.

For Model 26000 (9000 lb. capacity)



Drive Over Hydraulic System



Need a hydraulic cylinder seal kit?
SVI is your answer!

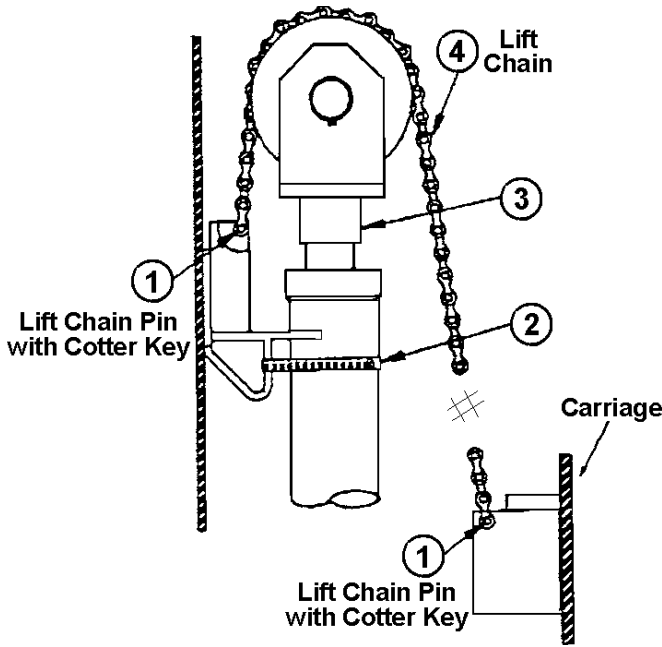
Item	SVI part #	OEM #	Req	Description
1	BH-7225-10	200001	2	Hydraulic Cylinder
2	BH-7228-47	200058	1	Hydraulic O-Ring Plug
3	BH-7230-74	36048	4	O-Ring Union
4	BH-7228-07	26027	2	Hyd. Line, Cyl. to Driveover
5	BH-7229-61	31047	2	Straight Union
6	BH-7228-01	26017	1	Hydraulic Line Driveover

Item	SVI part #	OEM #	Req	Description
7	BH-7229-66	200008	1	90° Connector, O-Ring x Tube
8	BH-7229-64	200038	1	Hyd. Line, Cyl. to Column
10	BH-7228-24	260031	1	Hyd. Line, Power Unit to Restrictor
11	F-A3405-6-6	200025	1	90° Swivel Elbow
12	BH-7006-01	200072	1	2HP 1PH 3.5 Gal. Power Unit
12	BH-7006-03		1	2HP 3PH 3.5 Gal. Power Unit

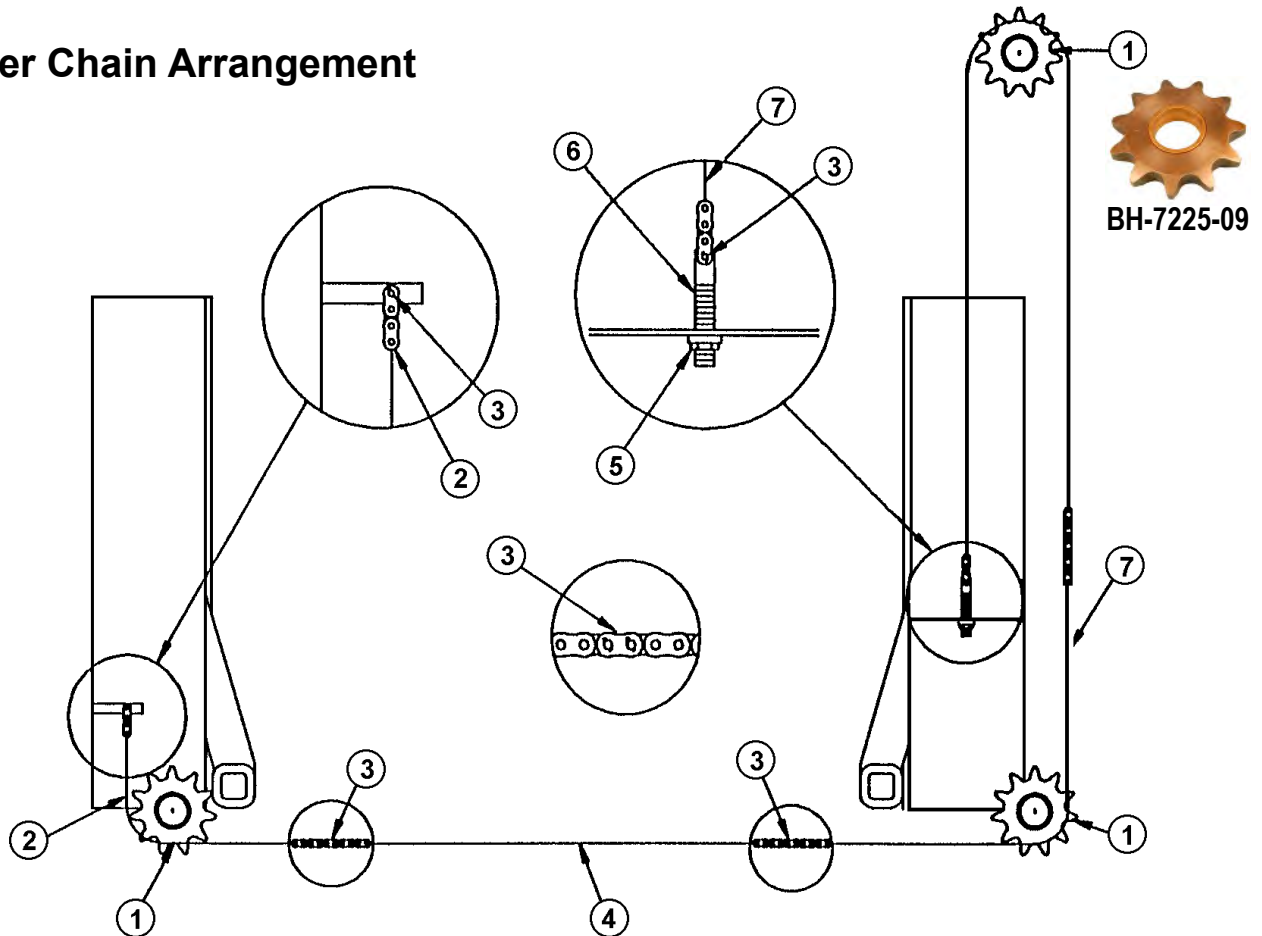
For Model 26000 (9000 lb. capacity)

Drive Chain Assembly

Item	SVI part #	OEM #	Req	Description
1	BH-7029-01	260013	4	Lift Chain Pin
2	BH-7225-19	200047	2	Hydraulic Cylinder Clamp
3	BH-7229-04	31033	2	Cylinder Rod End Assembly
4	BH-7029	31079	74	3/4 Leaf Chain - Need two 74 pitch pieces if doing complete lift



Equalizer Chain Arrangement

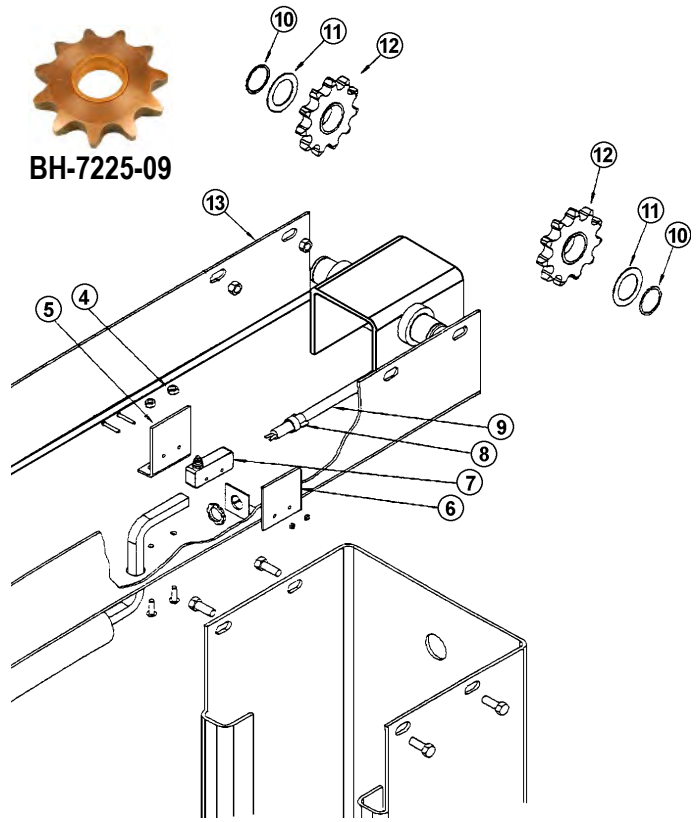
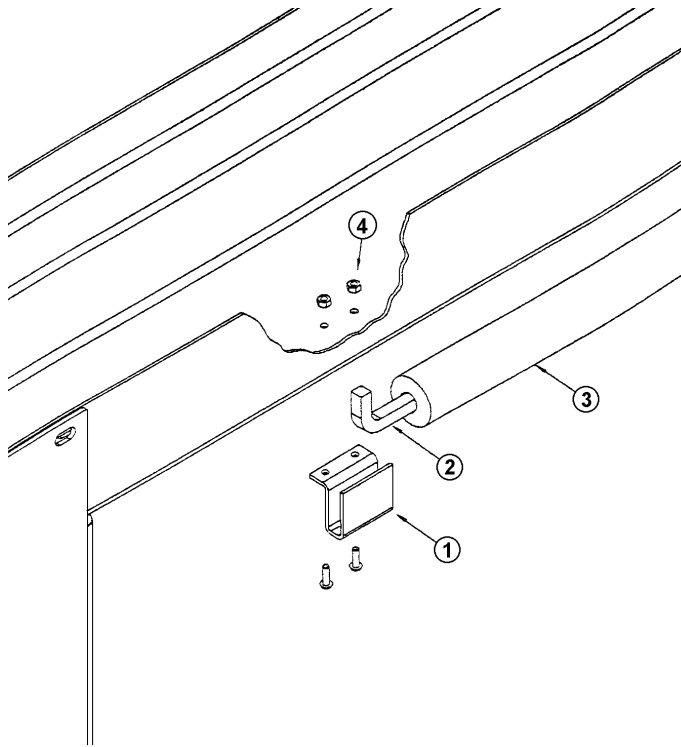


Item	SVI part #	OEM #	Req	Description
1	BH-7225-09	26008	6	Eq. Chain Sprocket
2	BH-7229-06	26046	2	Eq. Chain Lower 28 Pitches
3	BH-7026-01	11035	8	Master Link
4	BH-7226-29	26061	2	Roller Chain 80 Pitches

Item	SVI part #	OEM #	Req	Description
5	F-NL-0875-14	26055	2	7/8-14 Adjustment Lug
6	BH-7225-18	26054	2	Adj. Stud for Eq. Chain
7	BH-7229-05	200043	2	Eq. Chain Upper 201 Pitches

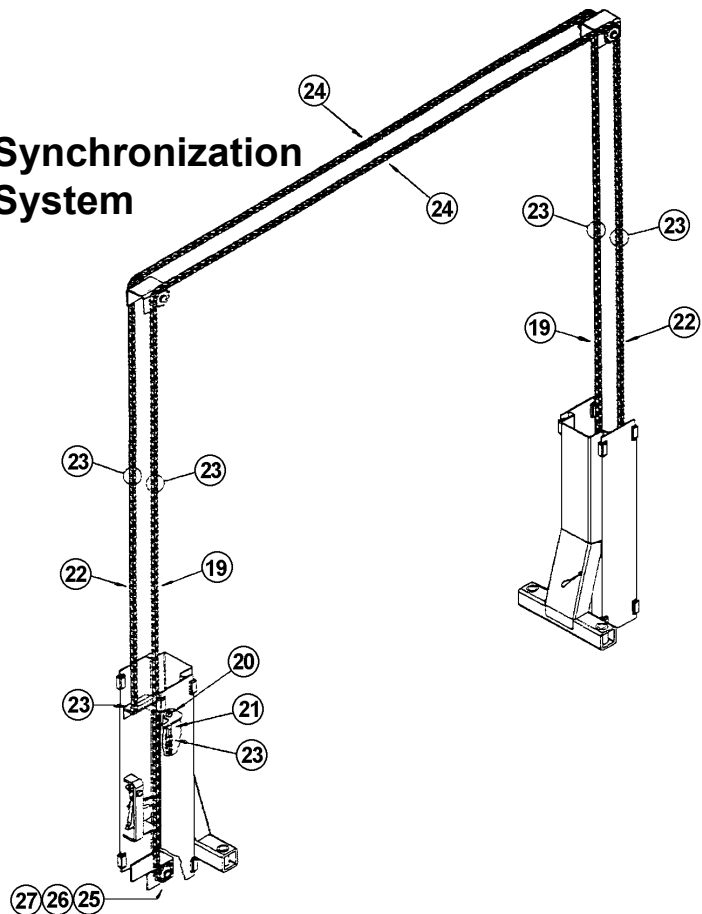
For Model 27000

Overhead System



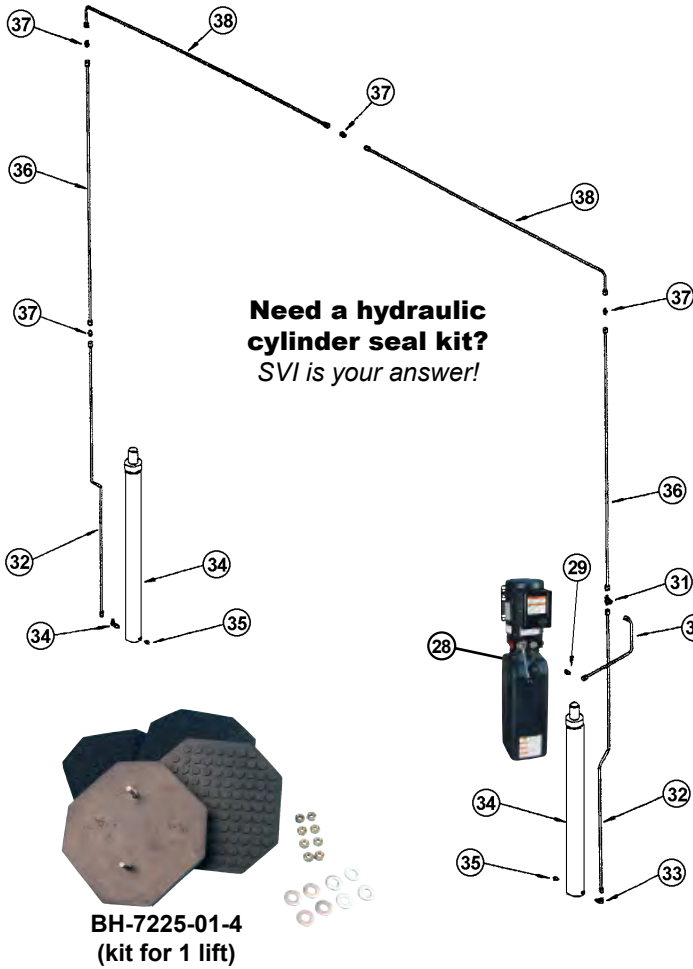
Item	SVI part #	OEM #	Req	Description
1	BH-7225-75	31063	1	Pivot Bracket
2	BH-7228-62	31128	1	Shut Off Bar
3	BH-7225-68	31129	1	Cushion 1/2 Shut Off Bar
4	F-HN-0250-20	31061	4	Push Nut 1/4"
5	BH-7225-74	31164	1	Limit Switch Bracket
6	BH-7228-63	31165	1	Capture Plate - Limit Switch
7	BH-7225-73	31166	1	Limit Switch Overhead Sq.
8	BH-7228-64	31060	1	Strain Relief
9	BH-7226-88	31167	1	Limit Switch Cord
10	BH-7225-16	31021	4	1-3/8 External Snap Ring
11	BH-7226-80	31020	4	1-3/8 Washer
12	BH-7225-09	26008	4	Eq. Chain Sprocket
13	BH-7226-07	27016	1	Overhead Channel Assembly
19	BH-7226-29E	27024	2	Eq. Chain w/Connect Link 110 Pitches See SVI's LRC7020 chain booklet
20	F-NL-0875-14	26055	2	7/8-14 Adjustment Lug
21	BH-7225-18	26054	2	Adj. Stud for Eq. Chain
22	BH-7229-06	26046	2	Eq. Chain Lower 28 Pitches
23	BH-7026-01	11035	8	Master Link
24	BH-7229-13	27026	2	Eq. Chain Assy. 269 Pitches (144" Col.) See SVI's LRC7020 chain booklet
	BH-7226-29H	27124	2	Eq. Chain Assy. 261 Pitches (140" Col.) See SVI's LRC7020 chain booklet
25	BH-7225-16	31021	6	1-3/8 External Snap Ring
26	BH-7226-80	31020	6	1-3/8 Washer
27	BH-7225-09	26008	6	Eq. Chain Sprocket

Synchronization System

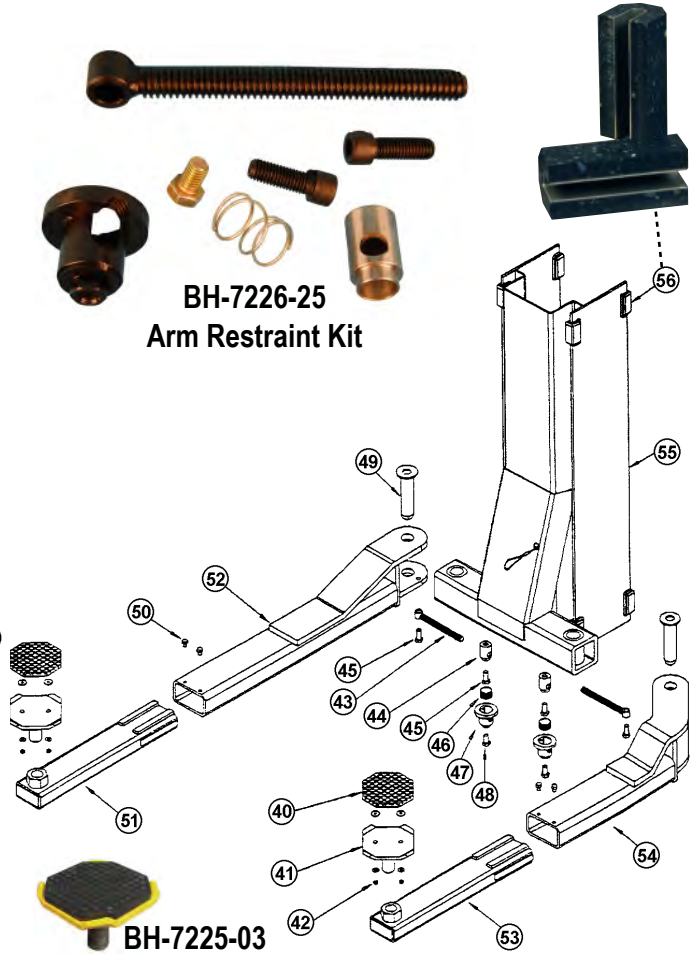


For Model 27000

Hydraulic System



Carriage Arm Assembly



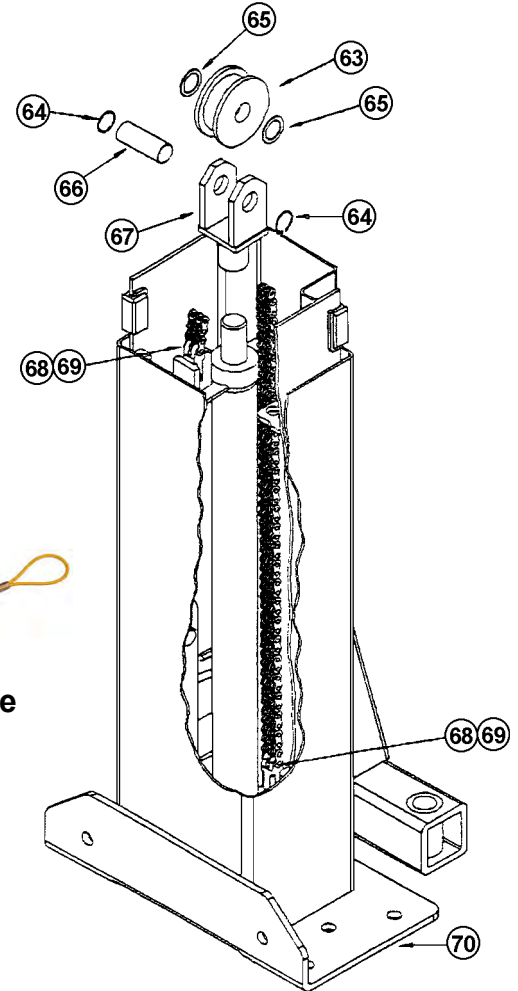
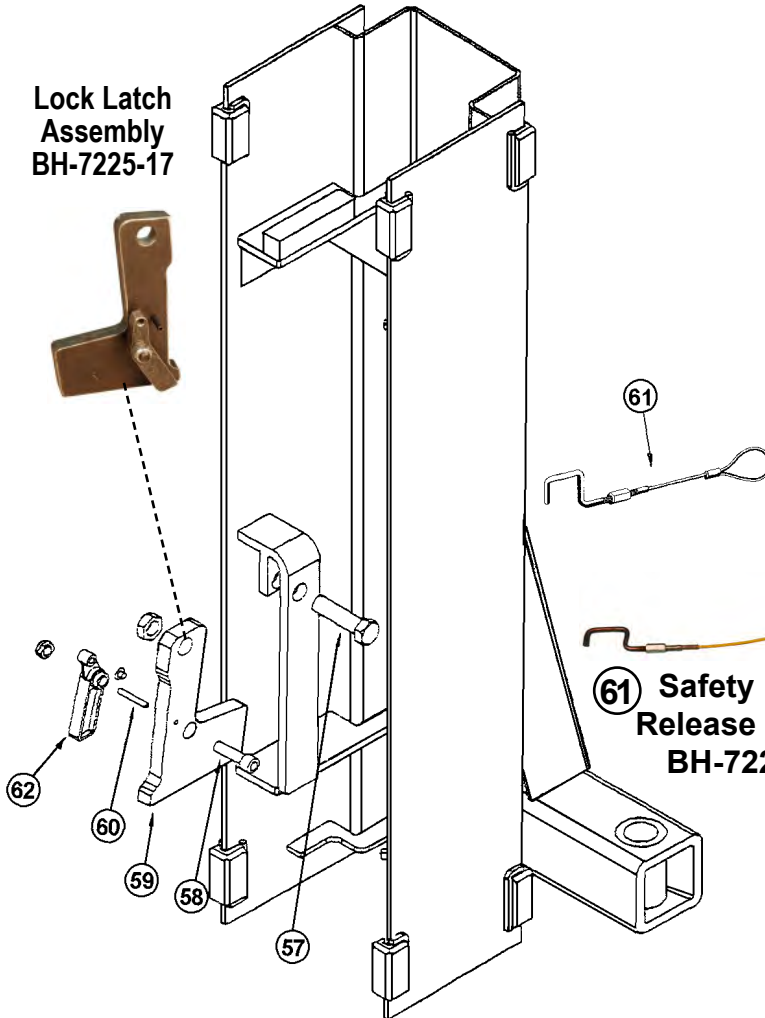
Item	SVI part #	OEM #	Req	Description
28	BH-7006-01	31295-1	1	2HP 1PH 3.5 Gal Power Unit
	BH-7006-03		1	2HP 3PH 3.5 Gal Power Unit
29	BH-7228-45	31116	1	Union, O-Ring x Tube
30	BH-7228-65	31298	1	Hyd. Line, Power Unit Fenner
	BH-7228-66	31065	1	Hyd. Line, Power Unit Barnes
31	BH-7226-83	31032	1	Union Tee
32	BH-7229-64	31090	2	Bottom Half Hydraulic Line
33	F-A3405-6-6	31089	2	90° Elbow
34	BH-7225-10	31265	2	Hydraulic Cylinder
35	BH-7228-68	31088	2	9/16 SAE Plug
36	BH-7226-82	31031	2	Crossover Line 140"
	BH-7228-69	27010	2	Crossover Line 144"
37	BH-7229-61	31047	4	Straight Union
38	BH-7229-39	31066	2	Overhead Hydraulic Line
40	BH-7225-01	31057	4	Rubber Arm Pad Hex
	BH-7225-01-4			Rubber Arm Pad Hex Kit for 1 Lift
41	BH-7225-03	31133	4	Adapters with Rubber Pad
42	F-HN-0250-20	31601	8	Push Nut 1/4"
43	BH-7229-62	31110	4	Link Weldment

Item	SVI part #	OEM #	Req	Description
44	BH-7229-40	31108	4	Arm Restraint Insert
45	F-SC-0500-13-1500	31112	8	Allen Bolt 1/2-13
46	BH-7229-60	31109	4	Spring
47	BH-7229-41	31107	4	Sleeve Weldment for BH-7226-25
47a	BH-7226-25	31052	4	Arm Restraint Kit w/Hardware
47b	BH-7226-57		1	Arm Restraint Kit - Complete Lift
48	F-HC-0500-13-0750	31111	4	1/2-13 x 3/4 Hex Bolt
49	BH-7225-15	31134	4	Arm Pin - 1-1/2" x 6"
	BH-7225-15A		4	Arm Pin - Call w/size
	BH-7225-15B		4	Arm Pin - Call w/size
	BH-7225-15C		4	Arm Pin - Call w/size
50	F-HC-0375-16-0750	31305	8	3/8-16 x 3/4 Ext. Stop Bolt
51	BH-7226-69C	39018	2	Arm Inner Rear
52	BH-7226-69	39017	2	Female Arm Outer - Rear Assembly
53	BH-7226-69B	39019	2	Arm Inner Front
54	BH-7229-42	39016	1	Female Arm Front Right Assembly
	BH-7229-43	39015	1	Female Arm Front Left Assembly
55	BH-7228-97	27007	2	Carriage Weldment
56	BH-7225-23	31023	16	Slider UHMW w/Metal Insert
	BH-7225-23OS	11036		Oversized Slider w/Metal Insert

For Model 27000

Locking Assembly

Lifting Assembly



61 Safety Latch Release Handle BH-7226-01

Item	SVI part #	OEM #	Req	Description
57	F-HC-0750-16-3000	31081	2	3/4-16 x 3 Hex Bolt
58	F-SB-0500-20-1750	31263	2	1/2-20 x 1-3/4 Shoulder Bolt
59	BH-7229-44	31261	2	Gravity Latch (order BH-7225-17)
60	F-RP-250-1750	31211	2	1/4 x 1-3/4 Roll Pin
61	BH-7226-01	31150/51	2	Safety Latch Release Handle
62	BH-7225-32	31262	2	Trigger (order BH-7225-17)
63	BH-7229-04A	31095	1	Roller for Lift Chain 1-1/2"
59, 62	BH-7225-17			Lock Latch Assembly
62				(includes BH-7229-44, BH-7225-32 and fasteners)

Item	SVI part #	OEM #	Req	Description
64	BH-7225-16	31021	2	1-3/8 External Snap Ring
65	BH-7226-80	31020	2	1-3/8 Washer
66	BH-7225-92	31093	1	Pin - Drive Chain Roller
67	BH-7226-86	31094	1	Cylinder Rod End Weldment
68	BH-7229-45	31297	2	Headed Pin
69	BH-7029	31079	74	3/4 Leaf Chain - 74 Pitches
70	BH-7229-46	31303	1	Power Column Assembly
	BH-7229-47	31304	1	Idler Column Assembly



DIRECTFIT™

For Model 27000 Plus (9000 lb. capacity)

For arm assemblies see pages 16–65.

For lock latch and slider block see page 15.



21 Safety Latch Release Handle
BH-7226-01



BH-7226-25
Arm Restraint Kit

Arm Restraint Kits:

Order **BH-7226-25**

Arm Restraint Kit w/Hardware for individual arm or **BH-7226-57**

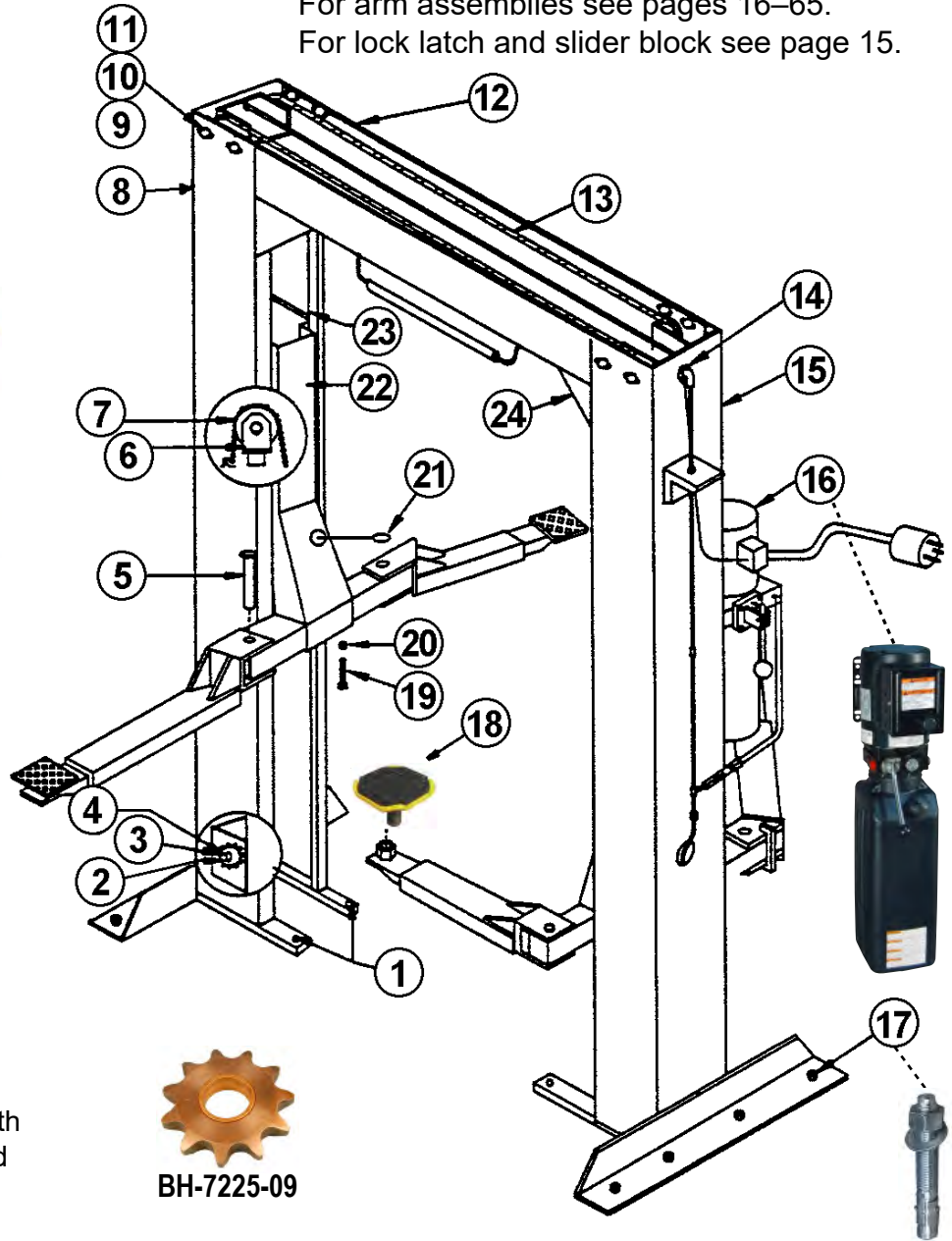
Arm Restraint Kit for complete lift.

Square Adapter & Pad is no longer available; Now only available in hexagon shape.

Order **BH-7225-03** for adapter with new replaceable hexagon-shaped rubber arm pad (**BH-7225-01**).



BH-7225-09



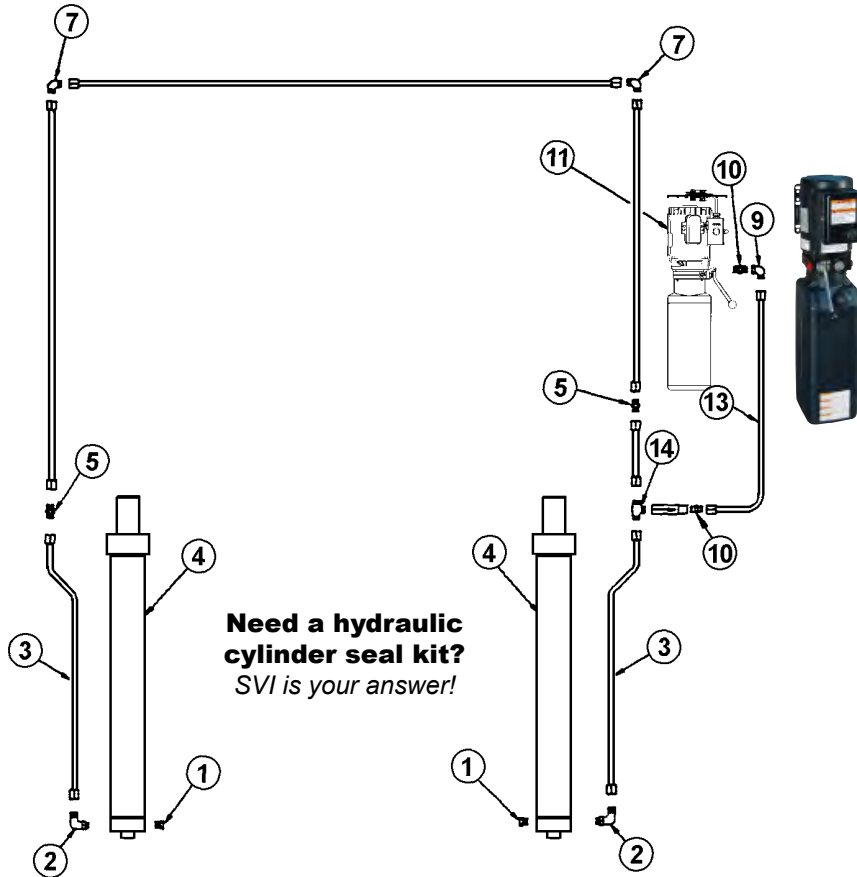
P
a
g
e

Item	SVI part #	OEM #	Req	Description
1	BH-7228-55	210047	4	Plastic Plug for Base
2	BH-7228-48	200011	10	Snap Ring
3	BH-7225-09	26008	6	Eq. Chain Sprocket
4	BH-7229-11	31070	10	Eq. Chain Sprocket Washer
5	BH-7225-15	31134	4	Arm Pin 1-1/2" x 6"
	BH-7225-15A		4	Arm Pin - Call w/size
	BH-7225-15B		4	Arm Pin - Call w/size
	BH-7225-15C		4	Arm Pin - Call w/size
6	BH-7229-04	31033	2	Cylinder Rod End Assembly
7	BH-7029	31079	74	3/4 Leaf Chain - Need two 74 pitch pieces if doing complete lift

Item	SVI part #	OEM #	Req	Description
13	call for details	210023	2	Eq. Chain Overhead 269 Pitches **Available—See SVI's LRC7020 Chain Booklet
14	BH-7225-66	210021	2	Rubber Grommet Top
15	BH-7229-49	270008	1	Complete Power Side Column
16	BH-7006-01	200076	1	2HP 1PH 3.5 Gal. Power Unit
	BH-7006-03		1	2HP 3PH 3.5 Gal. Power Unit
17	BH-7075-03	31058	8	Anchor Bolts 3/4 x 5-1/2
18	BH-7225-03	31133	4	Adapter 3-1/2" w/Rubber Pad
19	F-HN-0500-13	200166	2	1/2" Stop Bolt
20	F-JN-0500-13	200202	2	Jam Nut for Stop Bolt
21	BH-7226-01	31150/51	2	Safety Latch Release Handle
23	BH-7225-23	31023	16	Slider UHMW w/Metal Insert
	BH-7225-23OS	11036		Oversized Slider w/Metal Insert

For Model 27000 Plus (9000 lb. capacity)

Overhead Hydraulic System



Item	SVI part #	OEM #	Req	Description
1	BH-7228-47	200058	2	Hydraulic O-Ring Plug
2	F-A3405-6-6	200025	2	90° Swivel Elbow
3	BH-7229-64	200038	2	Hydraulic Line, Cyl. to Column
4	BH-7225-10	200001	2	Hydraulic Cylinder
5	BH-7229-61	31047	2	Straight Union
7	BH-7227-46	200007	2	90° Elbow, Tube x Tube

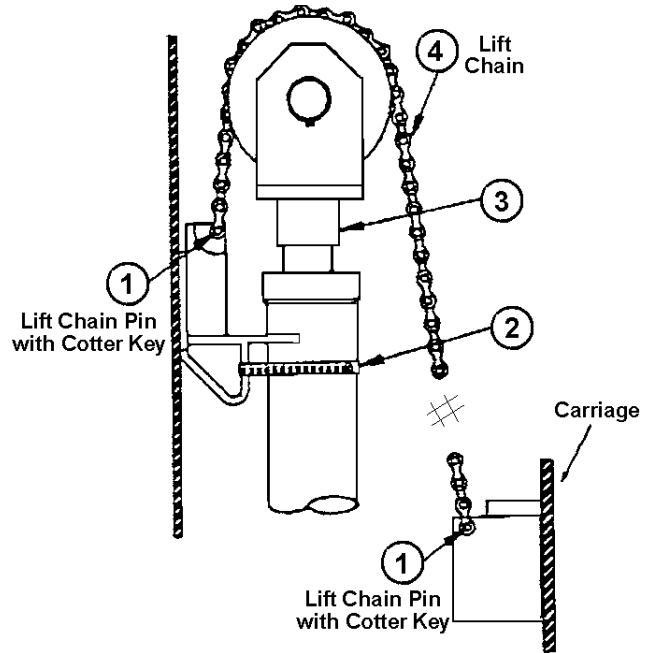
Item	SVI part #	OEM #	Req	Description
9	BH-7229-66	200008	2	90° Connector, O-Ring x Tube
10	BH-7230-74	36047	2	O-Ring Union
11	BH-7006-01	200076	1	2HP 1PH 3.5 Gal. Power Unit
11	BH-7006-03		1	2HP 3PH 3.5 Gal. Power Unit
13	BH-7228-24	260031	1	Hyd. Line, Power Unit to Restrictor
14	BH-7229-58	270009	1	Hyd. Tee, Tube x Tube x O-Ring



DIRECTFIT™

For Model 27000 Plus (9000 lb. capacity) Drive Chain Assembly

Item	SVI part #	OEM #	Req	Description
1	BH-7029-01	260013	4	Lift Chain Pin
2	BH-7225-19	200047	2	Hydraulic Cylinder Clamp
3	BH-7229-04	31033	2	Cylinder Rod End Assembly
4	BH-7029	31079	74	3/4 Leaf Chain - Need two 74 pitch pieces if doing complete lift



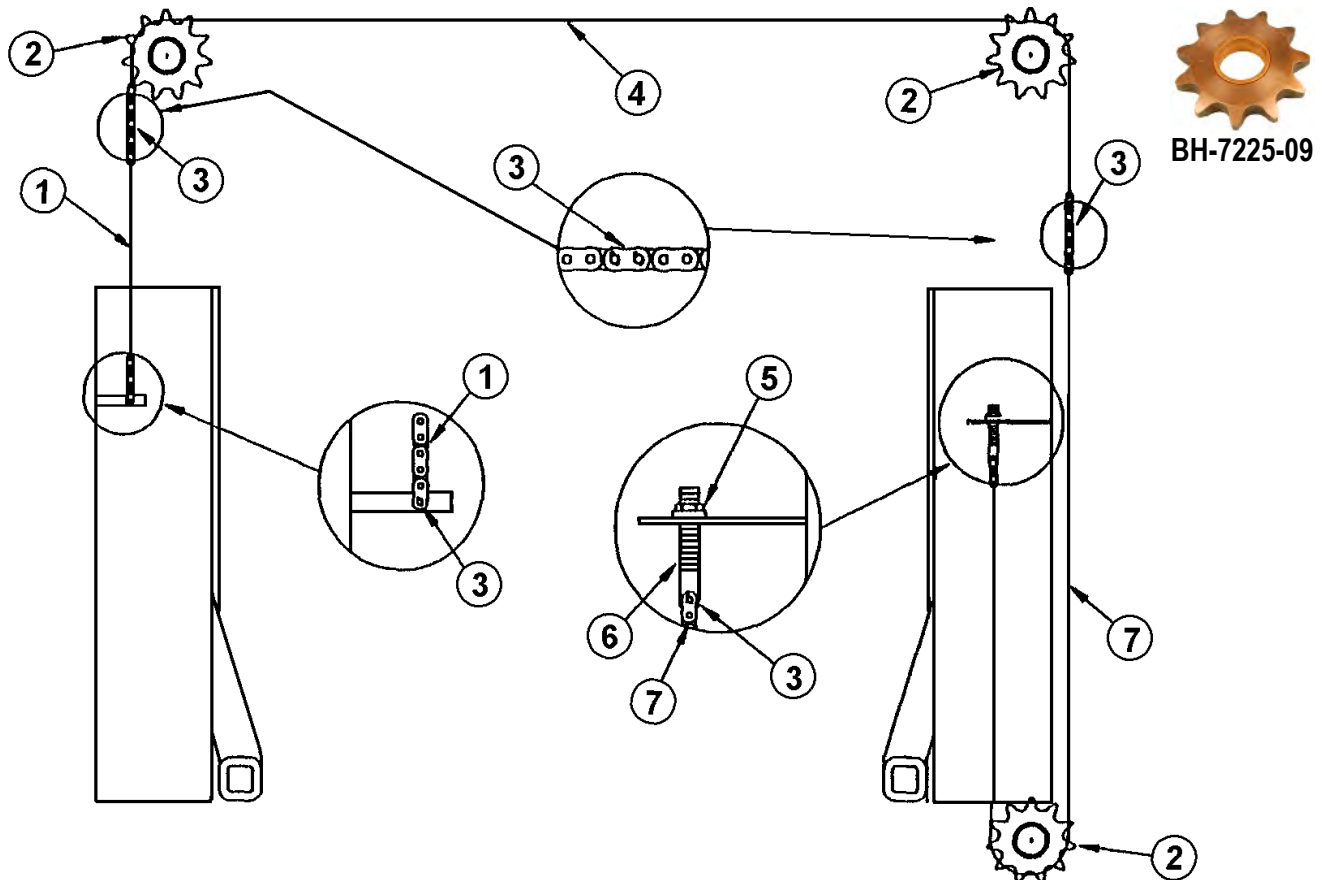
Equalizer Chain Arrangement

Item	SVI part #	OEM #	Req	Description
1	BH-7229-06	26046	2	Eq. Chain Lower 28 Pitch
2	BH-7225-09	26008	6	Eq. Chain Sprocket
3	BH-7026-01	11035	8	Master Link
4	call for details	210023	2	Eq. Overhead Chain 269 Pitches

****Available—See SVI's LRC7020 Chain Booklet**

Item	SVI part #	OEM #	Req	Description
5	F-NL-0875-14	26055	2	7/8-14 Adjustment Lug
6	BH-7225-18	26054	2	Adj. Stud for Eq. Chain
7	call for details	210011	2	Eq. Chain Upper 110 Pitches

****Available—See SVI's LRC7020 Chain Booklet**



For Model 28000 (7000 lb. capacity)

For arm assemblies see pages 16–65.
For lock latch and slider block see page 15.



BH-7226-25
Arm Restraint Kit

Arm Restraint Kits:

Order **BH-7226-25**

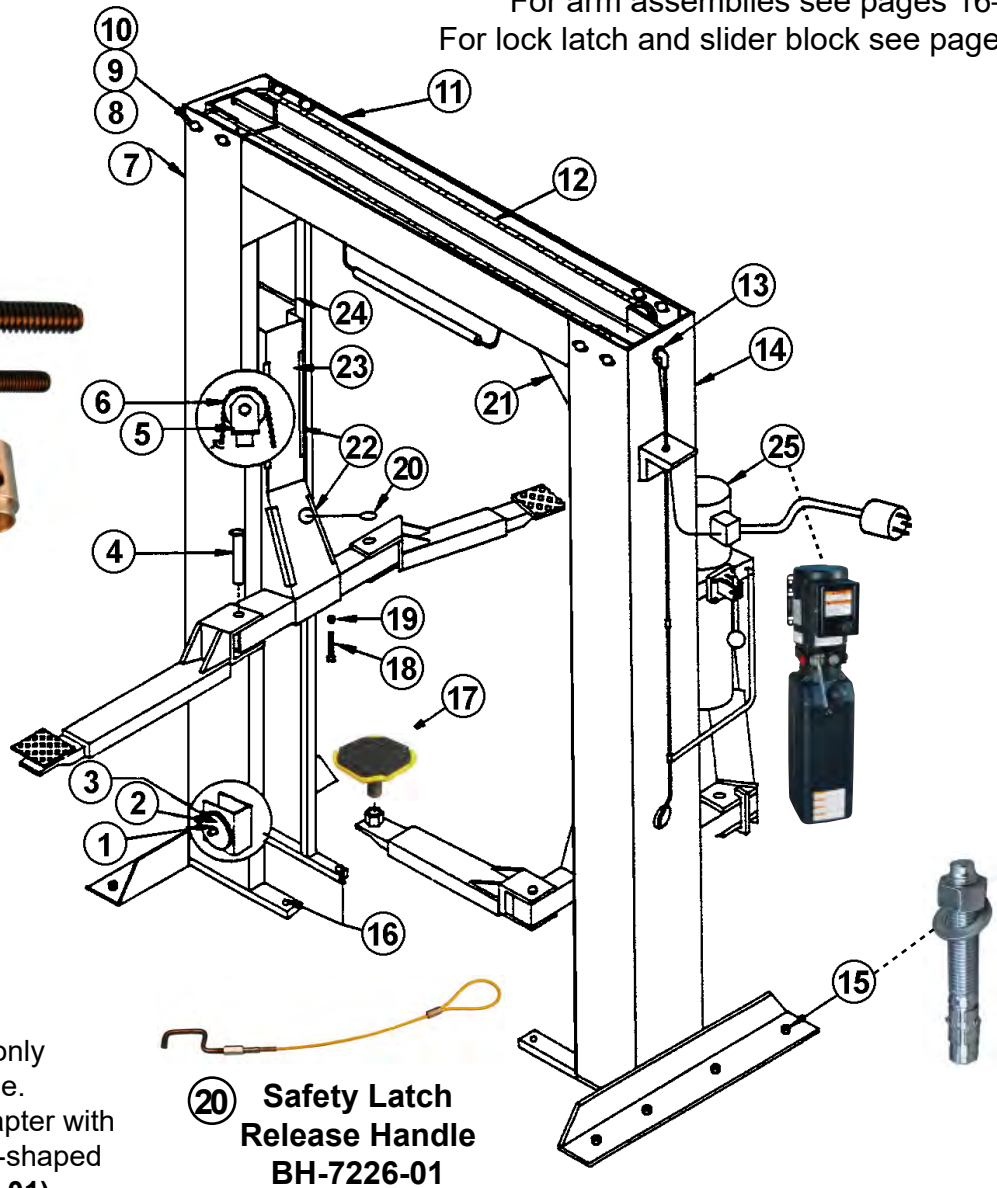
Arm Restraint Kit

w/Hardware for individual arm or

BH-7226-57

Arm Restraint Kit for complete lift.

Square Adapter & Pad is no longer available; Now only available in hexagon shape. Order **BH-7225-03** for adapter with new replaceable hexagon-shaped rubber arm pad (**BH-7225-01**).



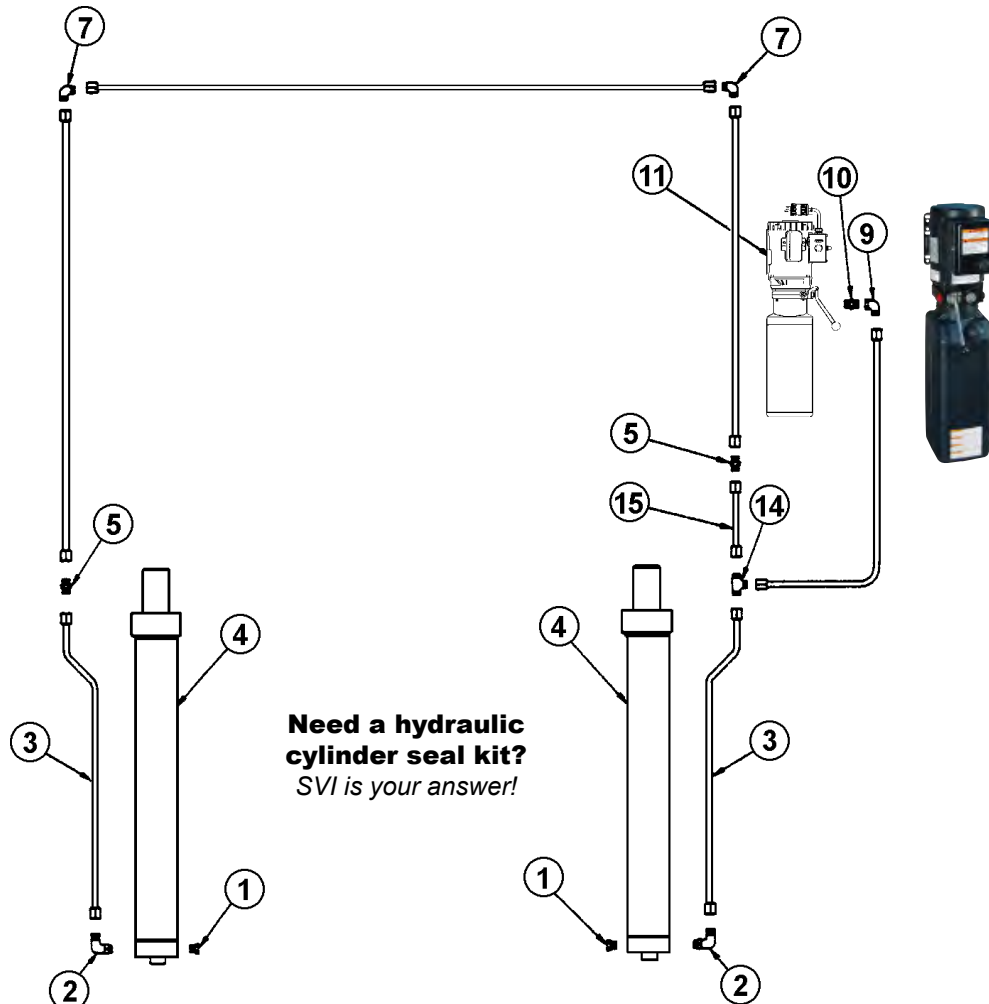
20 Safety Latch Release Handle
BH-7226-01

Item	SVI part #	OEM #	Req	Description
1	BH-7229-93	280022	6	Snap Ring
2	BH-7226-13	31019	6	Pulley for Eq. Cable
3	BH-7229-11	31070	10	Eq. Chain Sprocket Washer
4	BH-7225-15	31134	4	Arm Pin 1-1/2" x 6"
	BH-7225-15A		4	Arm Pin - Call with Size
	BH-7225-15B		4	Arm Pin - Call with Size
	BH-7225-15C		4	Arm Pin - Call with Size
5	BH-7229-04	31033	2	Cylinder Rod End Assembly
6	BH-7028	30019	74	3/4 Leaf Chain 0 Need two 74 pitch pieces if doing complete lift
8	BH-7228-51	210029	8	Flat Washer for Overhead
9	call for details	210028	8	Nut for Overhead
10	call for details	210027	8	Bolt for Overhead
11	BH-7229-95	280009	1	Overhead Channel Assembly

Item	SVI part #	OEM #	Req	Description
12	BH-7226-12	280019	2	Eq. Cable Assembly
13	BH-7225-66	210021	2	Rubber Grommet Top
14	BH-7229-96	280005	1	Complete Power Side Column
15	BH-7075-03	31058	8	Anchor Bolt 3/4 x 5-1/2
16	BH-7228-55	210047	4	Plastic Base Plug
17	BH-7225-03	31133	4	Adapter 3-1/2 w/ Rubber Pad
18	F-HN-0500-13	200166	2	1/2" Stop Bolt
19	F-JN-0500-13	200202	2	Jam Nut for Stop Bolt
20	BH-7226-01	31150/51	2	Safety Latch Release Handle
21	BH-7225-64	210004	2	Gusset for Overhead
22	BH-7225-14	31056	8	Rubber Door Guard
24	BH-7225-23	31023	16	Slider UHMW w/Metal Insert
	BH-7225-23OS	11036		Oversized Slider w/Metal Insert
25	BH-7006-01		1	2HP 1PH 3.5 Gal. Power Unit
	BH-7006-03		1	2HP 3PH 3.5 Gal. Power Unit

For Model 28000 (7000 lb. capacity)

Overhead Hydraulic System



Need a hydraulic cylinder seal kit?
SVI is your answer!

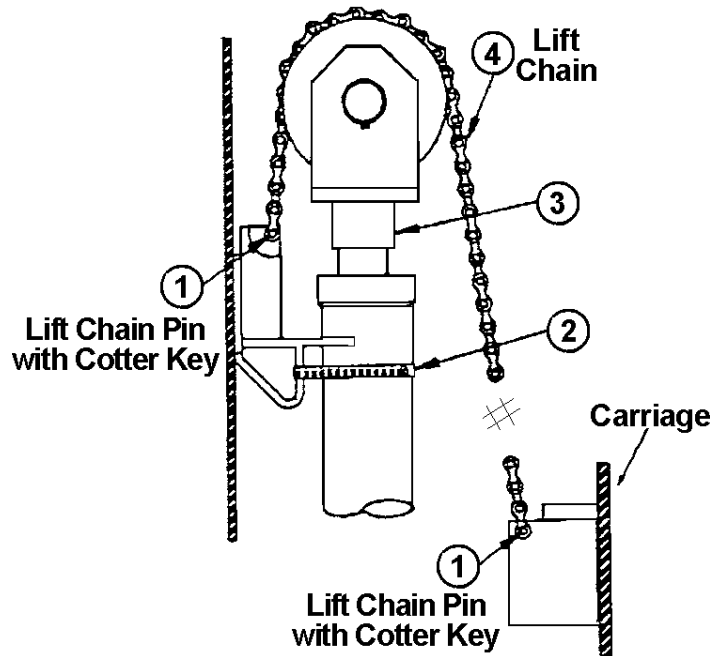
Item	SVI part #	OEM #	Req	Description
1	BH-7228-47	200058	2	Hydraulic O-Ring Plug
2	F-A3405-6-6	200008	2	90° Connector, O-Ring x Tube
3	BH-7229-64	200038	2	Hydraulic Line, Cyl. to Column
4	BH-7225-10	200001	2	Hydraulic Cylinder
5	BH-7229-61	31047	2	Straight Union
7	BH-7227-46	200007	2	90° Elbow, Tube x Tube

Item	SVI part #	OEM #	Req	Description
9	F-A3405-6-6	200025	1	90° Swivel Elbow
10	BH-7230-74	36048	1	O-Ring Union
11	BH-7006-01		1	2HP 1PH 3.5 Gal. Power Unit
	BH-7006-03		1	2HP 3PH 3.5 Gal. Power Unit
14	BH-7226-83	31032	1	Union Tee Parker

For Model 28000 (7000 lb. capacity)

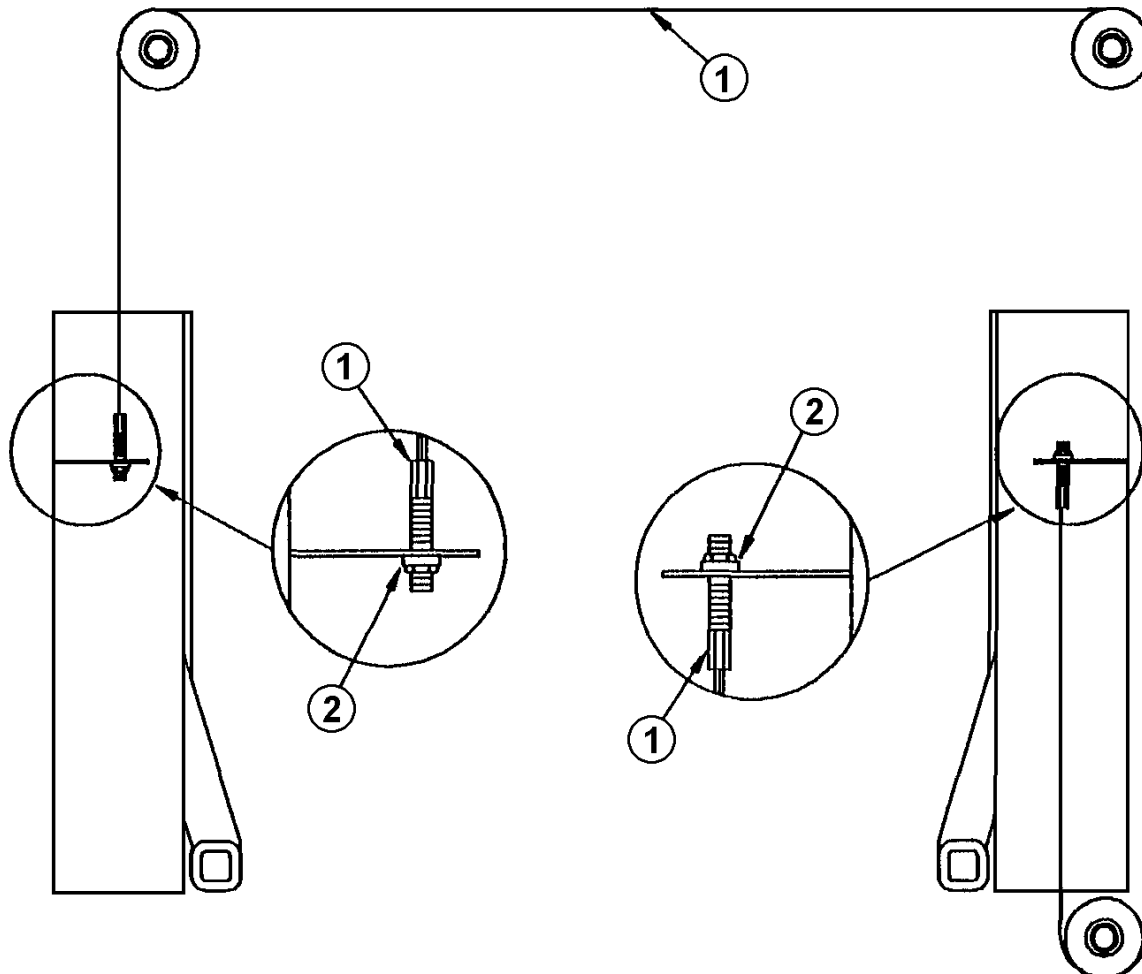
Drive Chain Assembly

Item	SVI part #	OEM #	Req	Description
1	BH-7029-01	30030	4	Lift Chain Pin
2	BH-7225-19	200047	2	Hydraulic Cylinder Clamp
3	BH-7229-04	31033	2	Cylinder Rod End Assembly
4	BH-7028	30019	74	3/4 Leaf Chain - Need two 74 pitch pieces if doing complete lift



Equalizer Cable Arrangement

Item	SVI part #	OEM #	Req	Description
1	BH-7226-12	280019	2	Eq. Cable Assembly
2	F-NL-0500-20	280018	4	Adjustment Stud Locknut





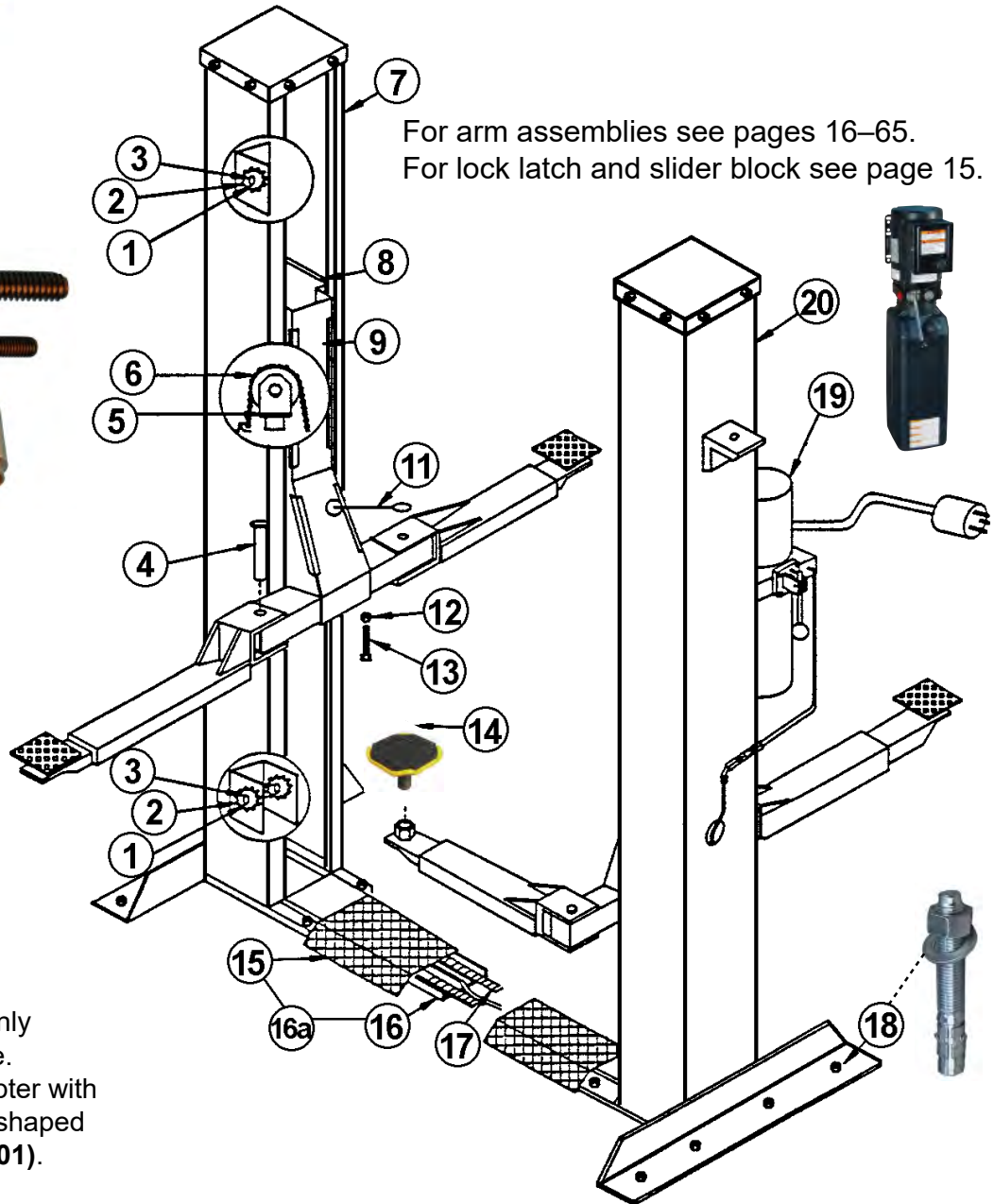
DIRECTFIT™

For Model 30000 (7000 lb. capacity)



Arm Restraint Kits:
 Order **BH-7226-25**
 Arm Restraint Kit
 w/Hardware for
 individual arm or
BH-7226-57
 Arm Restraint Kit
 for complete lift.

Square Adapter & Pad is
 no longer available; Now only
 available in hexagon shape.
 Order **BH-7225-03** for adapter with
 new replaceable hexagon-shaped
 rubber arm pad (**BH-7225-01**).



For arm assemblies see pages 16–65.
 For lock latch and slider block see page 15.

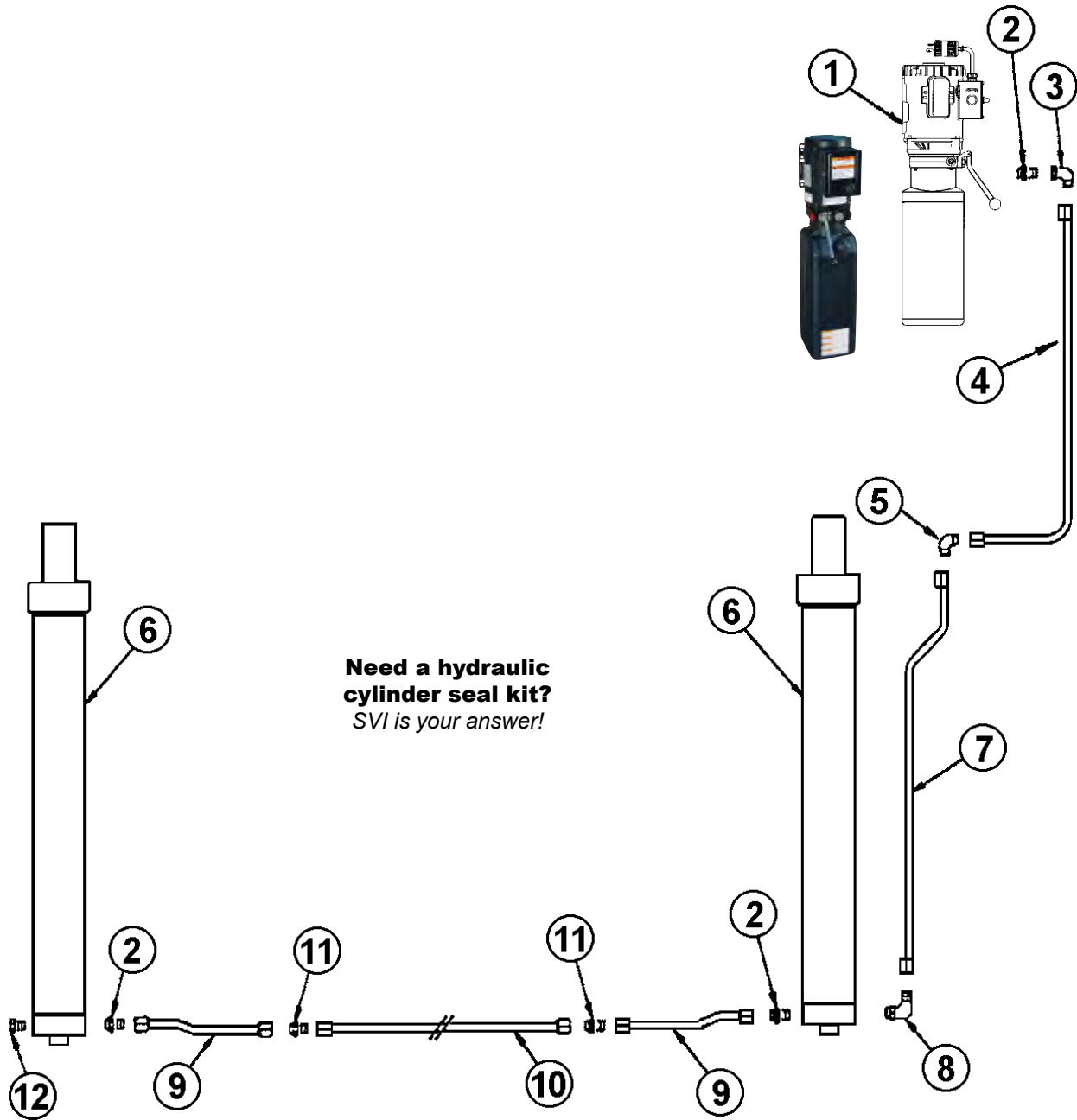
Item	SVI part #	OEM #	Req	Description
1	BH-7228-48	200011	10	Snap Ring
2	BH-7226-13	31019	6	Pulley for Eq. Chain
3	BH-7229-11	31070	10	Eq. Chain Sprocket Washer
4	BH-7225-15	31134	4	Arm Pin 1-1/2" x 6"
	BH-7225-15A		4	Arm Pin - Call with size
	BH-7225-15B		4	Arm Pin - Call with size
	BH-7225-15C		4	Arm Pin - Call with size
5	BH-7229-04	30133	2	Cylinder Rod End Assembly
6	BH-7028	30019	74	3/4 Leaf Chain - Need two 74 pitch pieces if doing complete lift
8	BH-7225-23	31023	16	Slider UHMW w/Metal Insert
	BH-7225-23OS	11036		Oversized Slider w/Metal Insert

Item	SVI part #	OEM #	Req	Description
9	BH-7226-18	300001	2	Carriage Weldment Only
11	BH-7226-01	31150/51	2	Safety Latch Release Handle
12	F-JN-0500-13	200202	2	Jam Nut for Stop Bolt
13	F-HN-0500-13	200166	2	1/2" Stop Bolt
14	BH-7225-03	31133	4	Adapter 3-1/2" w/Rubber Pad
15*	BH-7225-07A	26003P	1	Driveover Plate Only
16	BH-7225-08	26003T	1	Driveover Trough Only
16a*	BH-7225-07	26003	1	Driveover Plate & Trough Assembly
17	BH-7226-21	30024	2	Eq. Cable Eye/Stud 26'9"
18	BH-7075-03	31058	12	Anchor Bolts 3/4 x 5-1/2
19	BH-7006-01	200072	1	2HP 1PH 3.5 Gal. Power Unit
	BH-7006-03		1	2HP 3PH 3.5 Gal. Power Unit

*Modification may be necessary by installer.

P
a
g
e

For Model 30000 (7000 lb. capacity)



Drive Over Hydraulic System

Item	SVI part #	OEM #	Req	Description
1	BH-7006-01		1	2HP 1PH 3.5 Gal. Power Unit
1	BH-7006-03		1	2HP 3PH 3.5 Gal. Power Unit
2	BH-7230-74	36048	3	O-Ring Union
3	BH-7227-45	36051	1	90° Swivel Elbow
4	BH-7228-10	31065	1	Hyd. Line, Power Unit - Column
5	BH-7227-46	200007	1	90° Elbow, Tube to Tube
6	BH-7225-10	200001	2	Hydraulic Cylinder

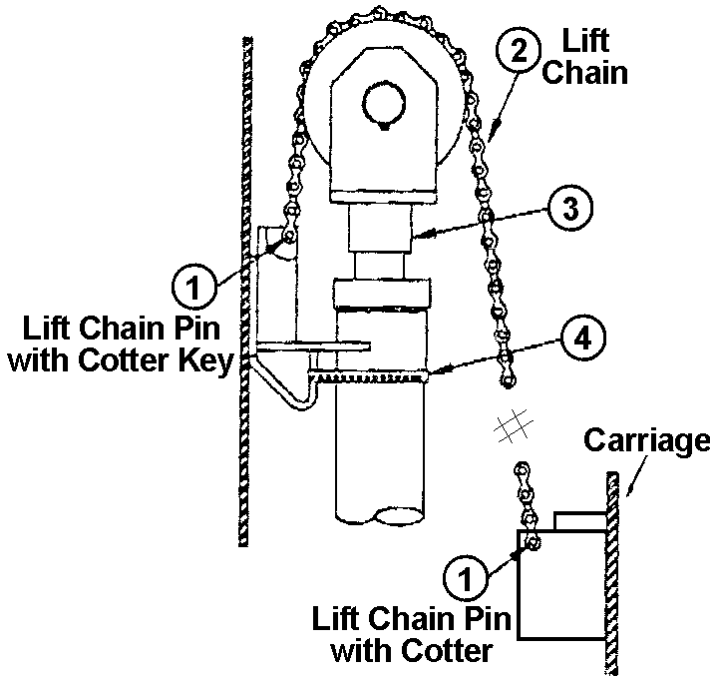
Item	SVI part #	OEM #	Req	Description
7	BH-7229-64	200038	1	Bot. Half Hyd. Line - Call for Details
8	BH-7228-45	31116	1	90° Elbow, O-Ring to Tube
9	BH-7228-07	26027	2	Hyd. Line, Cyl. to Drive Over
10	BH-7228-01	26017	1	Hydraulic Line Drive Over
11	BH-7229-61	31047	2	Straight Union
12	BH-7228-47	200058	1	Hydraulic O-Ring Plug



For Model 30000 (7000 lb. capacity)

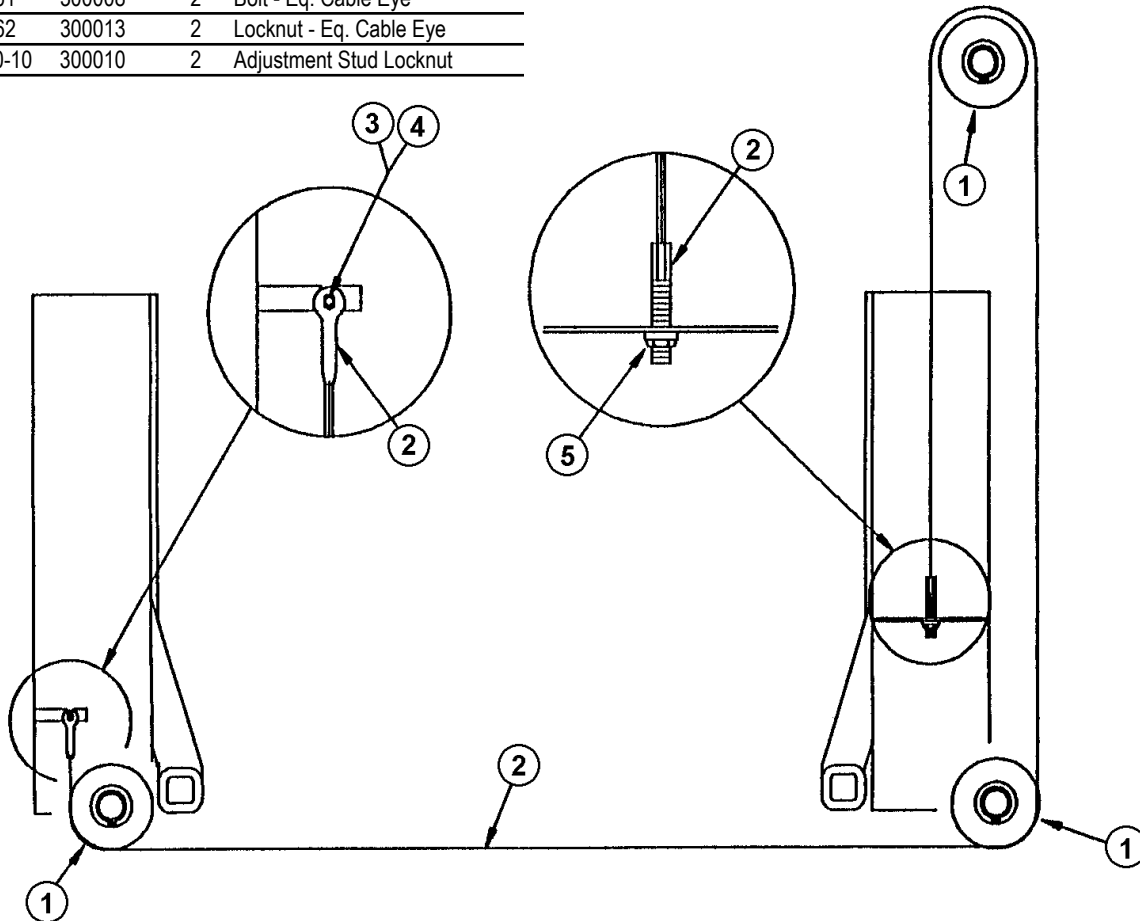
Drive Chain Assembly

Item	SVI part #	OEM #	Req	Description
1	BH-7029-01	30030	4	Lift Chain Pin BL634
2	BH-7028	30019	74	3/4 Leaf Chain - Need two 74 pitch pieces if doing complete lift
3	BH-7229-04	31033	2	Cylinder Rod End Assembly
4	BH-7225-19	200047	2	Hydraulic Cylinder Clamp



Equalizer Cable Arrangement

Item	SVI part #	OEM #	Req	Description
1	BH-7226-13	31019	6	Pulley for Eq. Cable
2	BH-7226-21	30024	2	Eq. Cable Eye/Stud 26'9"
3	BH-7230-61	300008	2	Bolt - Eq. Cable Eye
4	BH-7230-62	300013	2	Locknut - Eq. Cable Eye
5	F-NL-0750-10	300010	2	Adjustment Stud Locknut



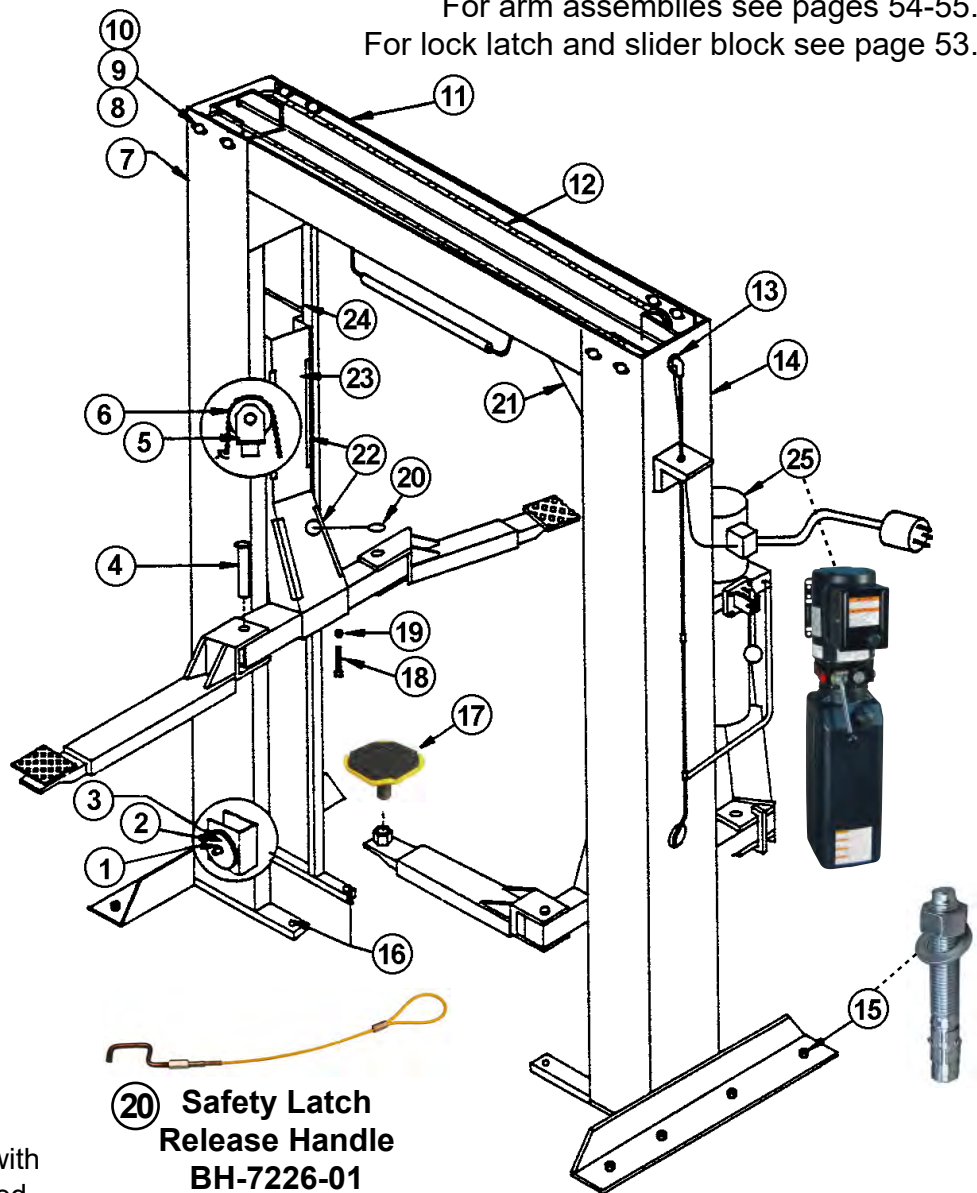
For Model 31000 Spirit (7000 lb. capacity)

For arm assemblies see pages 54-55.
For lock latch and slider block see page 53.



Arm Restraint Kits:
Order **BH-7226-25**
Arm Restraint Kit
w/Hardware for
individual arm or
BH-7226-57
Arm Restraint Kit
for complete lift.
For 8" Arm Restraint
Kit, use **BH-7228-44-4**.

Square Adapter & Pad is
no longer available; Now only
available in hexagon shape.
Order **BH-7225-03** for adapter with
new replaceable hexagon-shaped
rubber arm pad (**BH-7225-01**).



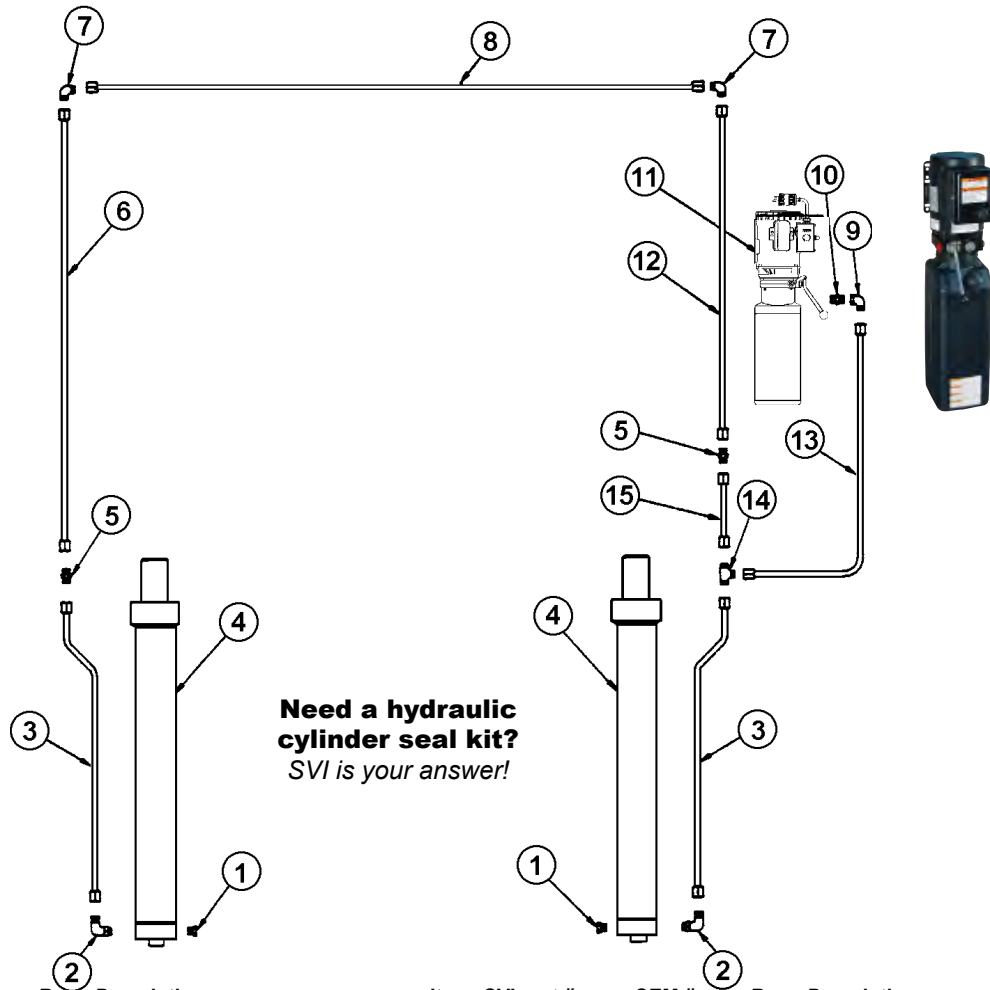
Item	SVI part #	OEM #	Req	Description
1	BH-7228-48	200011	6	Snap Ring
2	BH-7226-13	31019	6	Pulley for Eq. Cable
3	BH-7229-11	31070	10	Eq. Chain Sprocket Washer
4	BH-7225-15	31134	4	Arm Pin 1-1/2" x6"
	BH-7225-15A		4	Arm Pin - Call with size
	BH-7225-15B		4	Arm Pin - Call with size
	BH-7225-15C		4	Arm Pin - Call with size
5	BH-7229-04	31033	2	Cylinder Rod End Assembly
6	BH-7028	30019	74	3/4 Leaf Chain - Need two 74 pitch pieces if doing complete lift
11	BH-7226-26	310009	1	Overhead Channel Assembly
12	BH-7225-11	310008	2	Eq. Cable Assy. 32'10" (Old Style)
	BH-7225-11A	31067	2	Eq. Cable Assy. 34'4" (New Style)

Item	SVI part #	OEM #	Req	Description
13	BH-7225-66	210021	2	Rubber Grommet Top
15	BH-7075-03	31058	8	Anchor Bolt 3/4 x 5-1/2
16	BH-7228-55	210047	4	Plastic Base Plug
17	BH-7225-03	31133	4	Adapter 3-1/2 w/ Rubber Pad
18	F-HN-0500-13	200166	2	1/2" Stop Bolt
19	F-JN-0500-13	200202	2	Jam Nut for Stop Bolt
20	BH-7226-01	31150/51	2	Safety Latch Release Handle
21	BH-7225-64	210004	2	Gusset for Overhead
22	BH-7225-14	31056	8	Rubber Door Guard
24	BH-7225-23	31023	16	Slider UHMW w/Metal Insert
	BH-7225-23OS	11036		Oversized Slider w/Metal Insert
25	BH-7006-01		1	2HP 1PH 3.5 Gal. Power Unit
	BH-7006-03		1	2HP 3PH 3.5 Gal. Power Unit



For Model 31000 Spirit (7000 lb. capacity)

Overhead Hydraulic System



Need a hydraulic cylinder seal kit?
SVI is your answer!

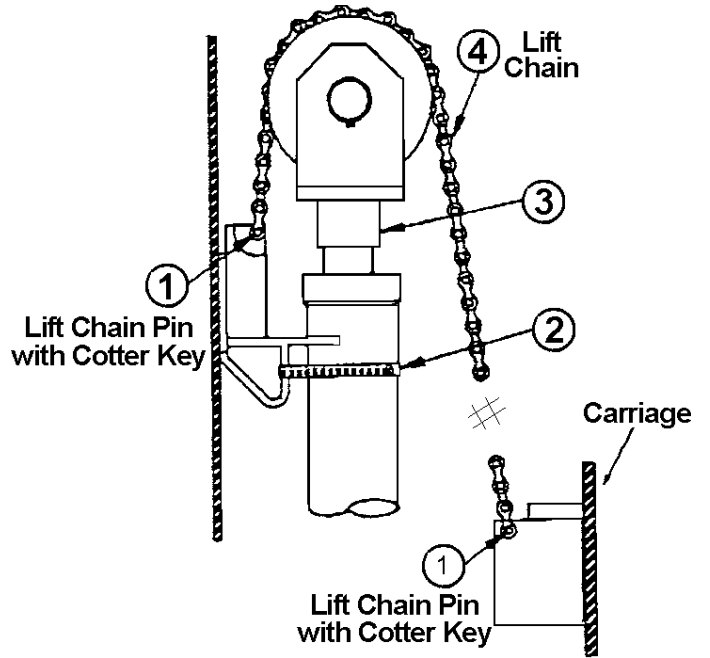
Item	SVI part #	OEM #	Req	Description
1	BH-7228-47	200058	2	Hydraulic O-Ring Plug
2	BH-7229-66	200008	2	90° Connector, O-Ring x Tube
3	BH-7229-64	200038	2	Hydraulic Line, Cyl. to Column
4	BH-7225-10	200001	2	Hydraulic Cylinder
5	BH-7229-61	31047	2	Straight Union
6	BH-7229-64	31090	1	Bottom Half Hydraulic Line
	BH-7229-65	31091	1	Top Half Hydraulic Line
7	BH-7227-46	200007	2	90° Elbow, Tube x Tube
8	BH-7228-12	210007	1	Hydraulic Line, Overhead

Item	SVI part #	OEM #	Req	Description
9	F-A3405-6-6	200025	1	90° Swivel Elbow
10	BH-7230-74	36048	1	O-Ring Union
11	BH-7006-01		1	2HP 1PH 3.5 Gal. Power Unit
	BH-7006-03		1	2HP 3PH 3.5 Gal. Power Unit
12	BH-7229-97	280016	1	Hyd. Line, Tee to Overhead Power
13	BH-7228-10	200241	1	Hyd. Line, Power Unit to Column
14	BH-7226-83	31032	1	Union Tee Parker
15	BH-7228-18	210022	1	Hydraulic Line Extension

For Model 31000 Spirit (7000 lb. capacity)

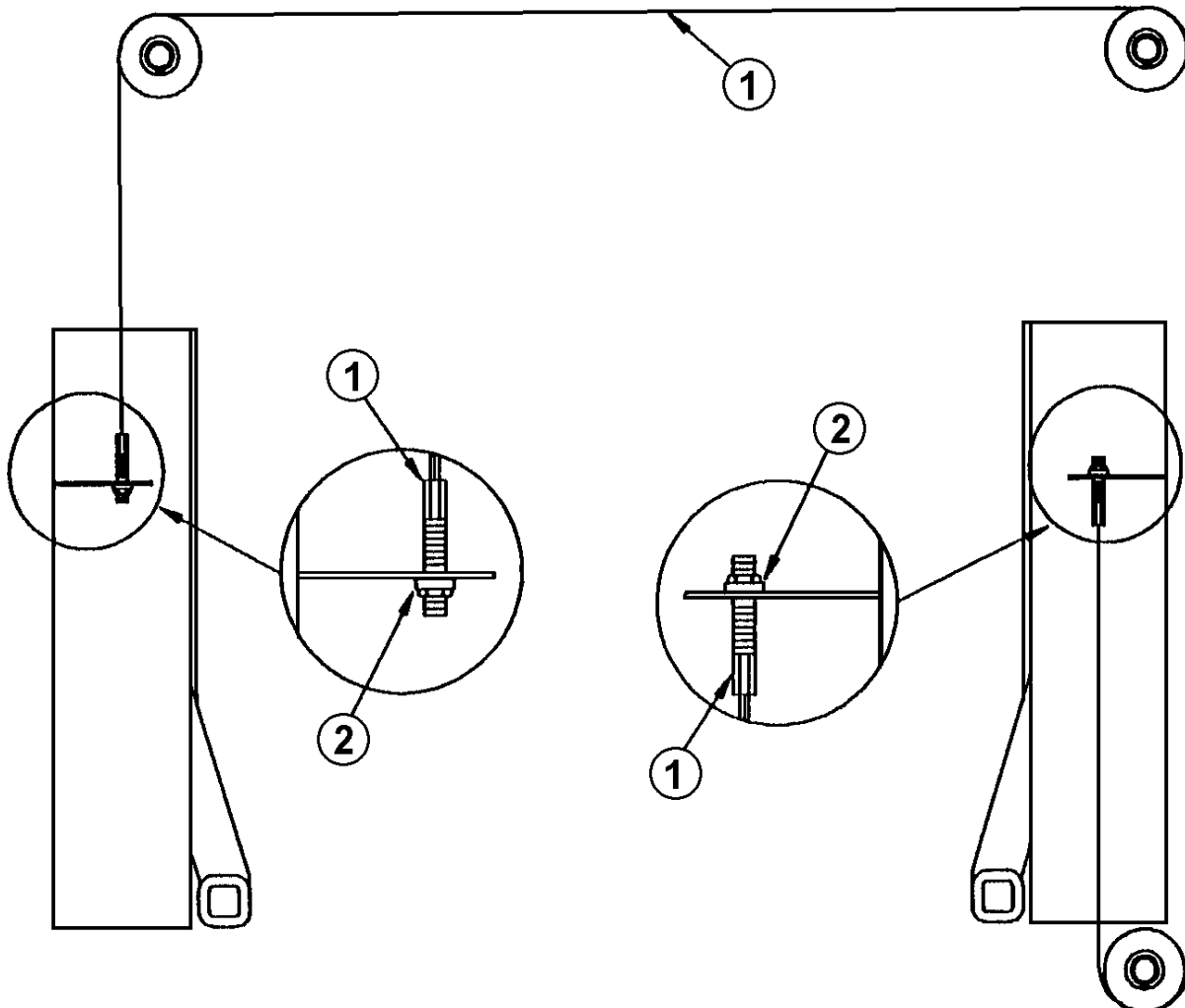
Drive Chain Assembly

Item	SVI part #	OEM #	Req	Description
1	BH-7029-01	30030	4	Lift Chain Pin
2	BH-7225-19	200047	2	Hydraulic Cylinder Clamp
3	BH-7229-04	31033	2	Cylinder Rod End Assembly
4	BH-7028	30019	74	3/4 Leaf Chain - Need two 74 pitch pieces if doing complete lift

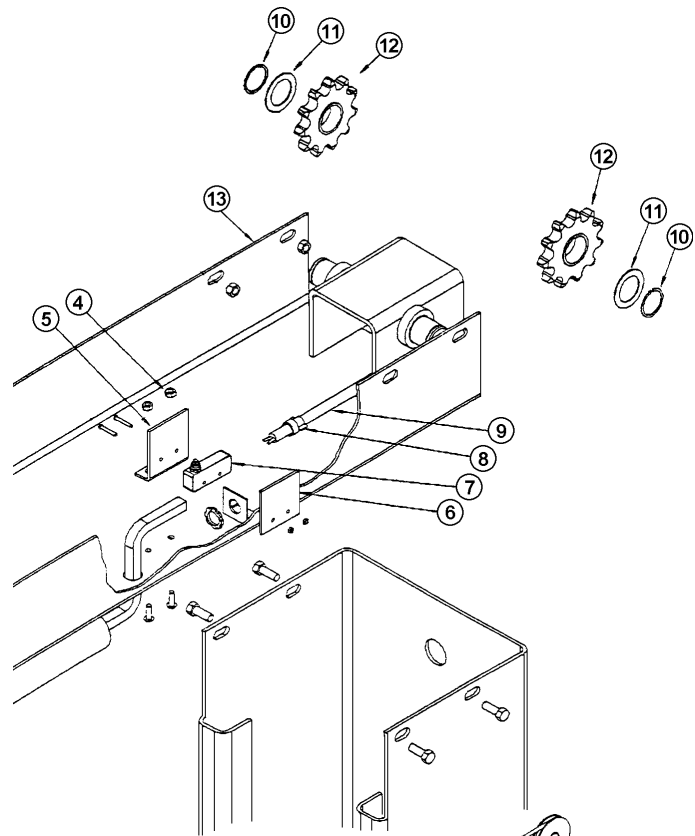
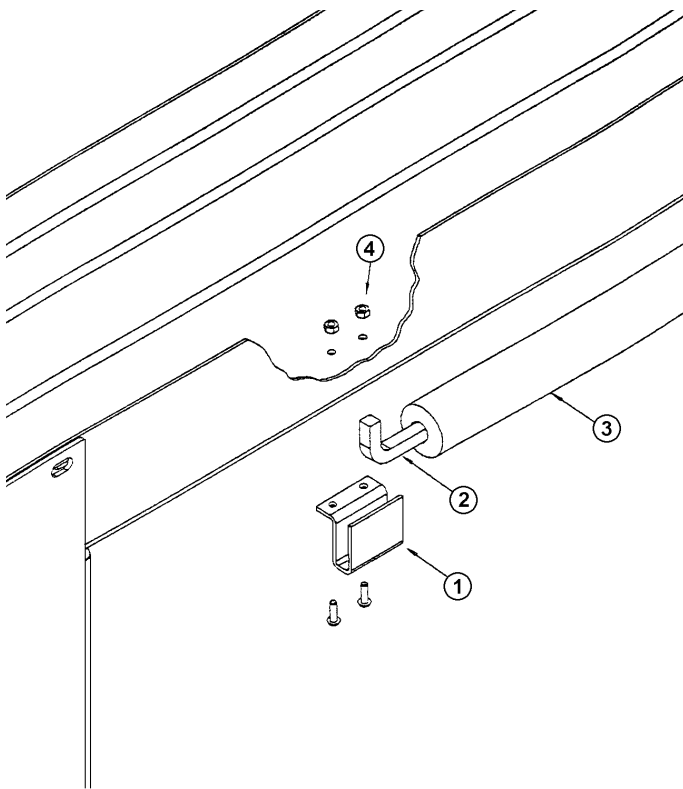


Equalizer Cable Arrangement

Item	SVI part #	OEM #	Req	Description
1	BH-7225-11	310008	2	Eq. Cable Assy. 32' 10" (Old Style)
2	F-NL-0750-10	300010	4	Adjustment Stud Locknut

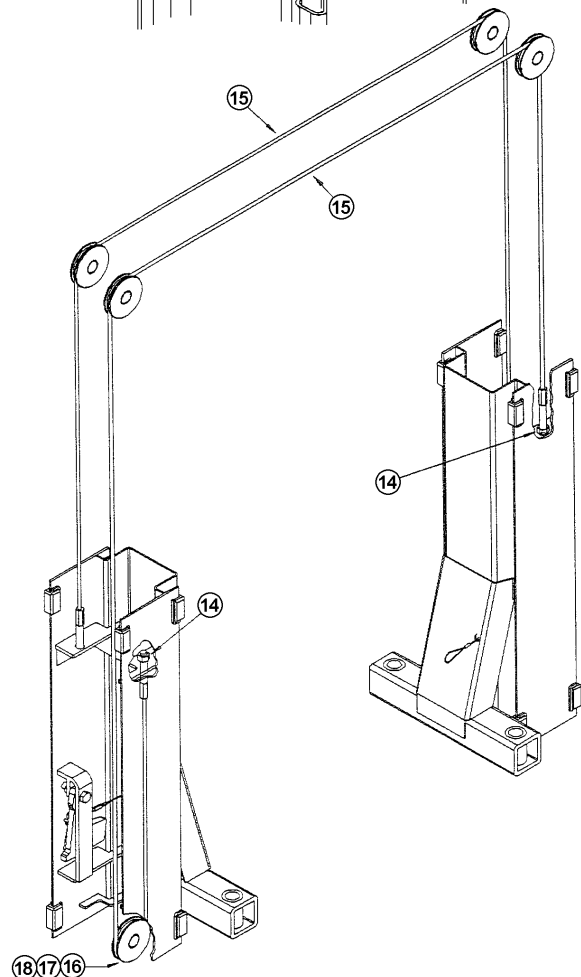


For Model 31000 Overhead System



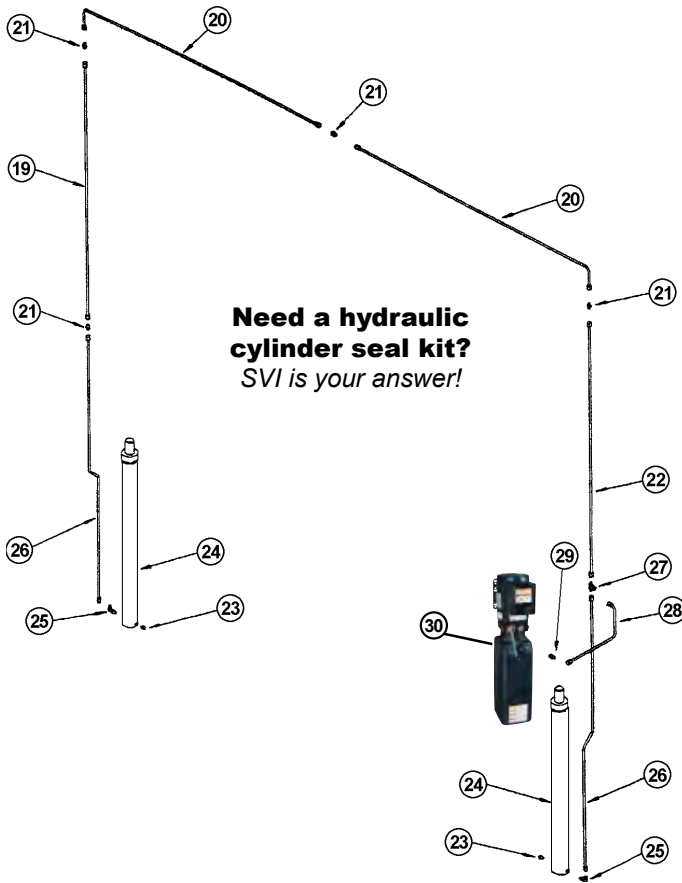
Synchronization System

Item	SVI part #	OEM #	Req	Description
1	BH-7225-75	31063	1	Pivot Bracket
2	BH-7228-62	31128	1	Shut Off Bar
3	BH-7225-68	31129	1	Cushion 1/2 Shut Off Bar
4	F-HN-0250-20	31061	4	Push Nut 1/4"
5	BH-7225-74	31164	1	Limit Switch Bracket
6	BH-7228-63	31165	1	Capture Plate - Limit Switch
7	BH-7225-73	31166	1	Limit Switch Overhead Sq.
8	BH-7228-64	31060	1	Strain Relief
9	BH-7226-88	31167	1	Limit Switch Cord
10	BH-7225-16	31021	4	1-3/8 External Snap Ring
11	BH-7226-80	31020	4	1-3/8 Washer
12	BH-7226-13	31019	4	Pulley for Eq. Cable
13	BH-7226-26	31059	1	Overhead Channel Assembly
14	F-NL-0750-10	31068	4	3/4-10 Nylock Nut
15	BH-7225-11	310008	2	Eq. Cable Assy. 32'10" (Old Style)
	BH-7225-11A	31067	2	Eq. Cable Assy. 34' 4" (New Style)
16	BH-7225-16	31021	6	1-3/8 External Snap Ring
17	BH-7226-80	31020	6	1-3/8 Washer
18	BH-7226-13	31019	6	Pulley for Eq. Cable

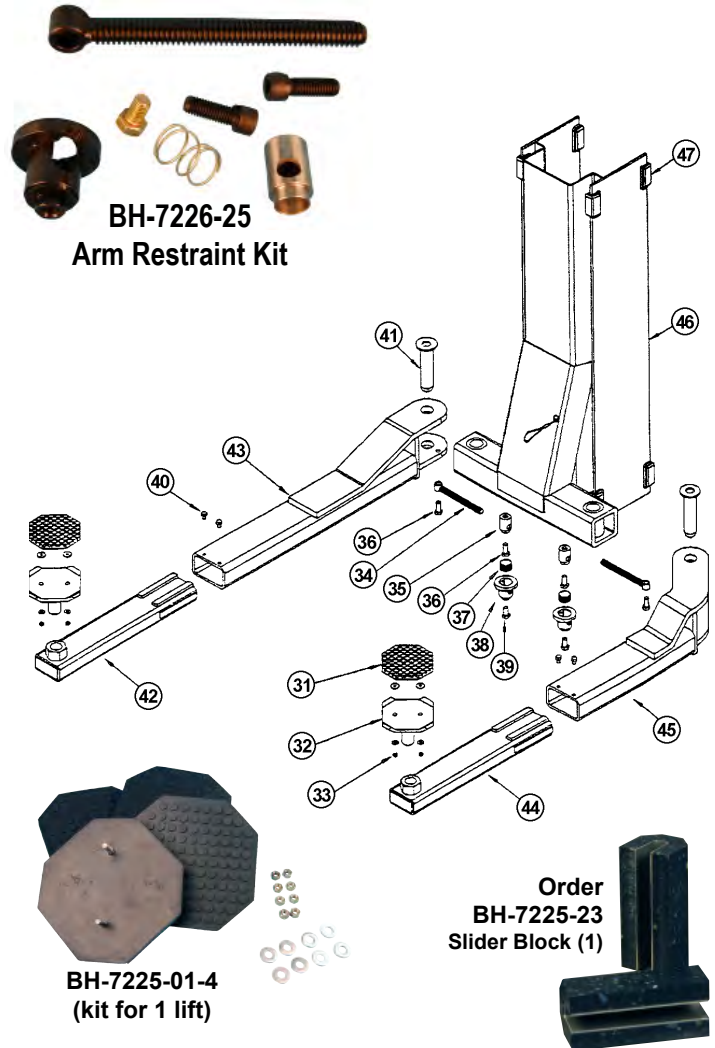


For Model 31000

Hydraulic System



Carriage Arm Assembly



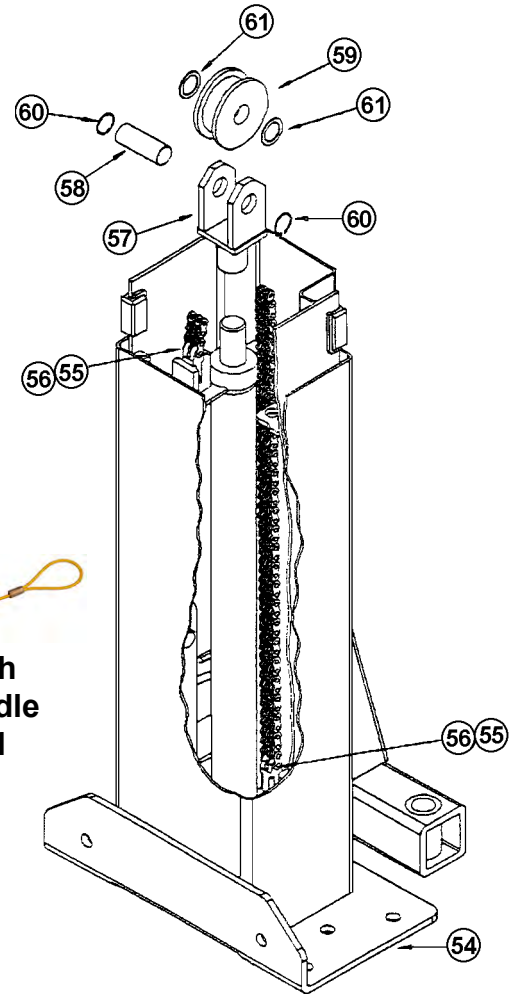
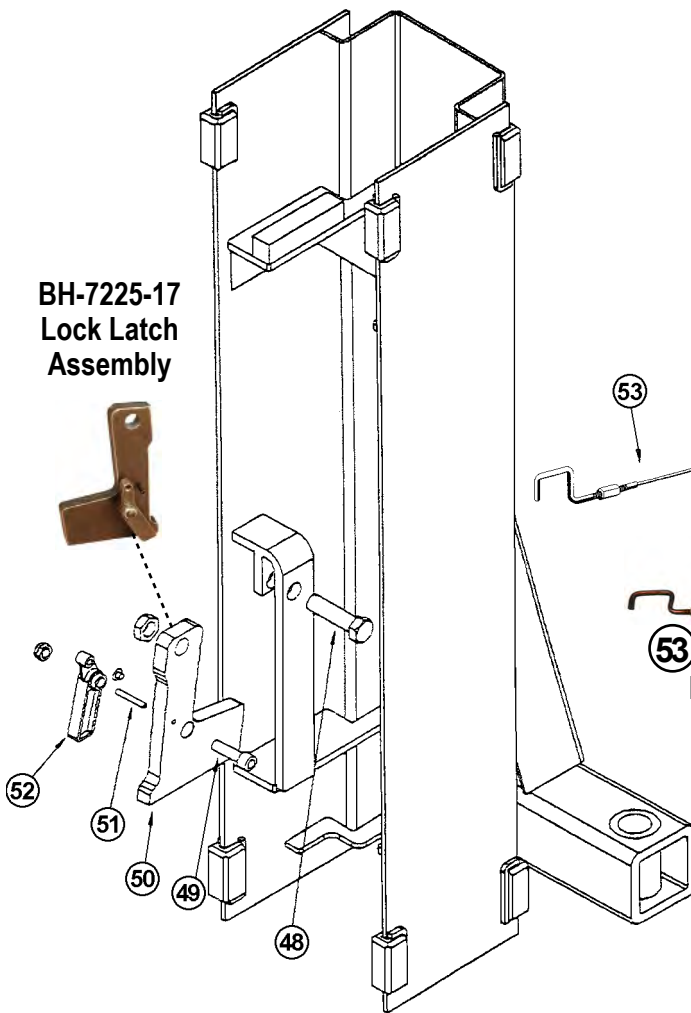
Item	SVI part #	OEM #	Req	Description
19	BH-7226-82	31031	1	Crossover Line 140"
20	BH-7229-39	31066	2	Overhead Hydraulic Line
21	BH-7229-61	31047	4	Straight Union
22	BH-7226-82	31031	1	Crossover Line 140"
23	BH-7228-68	31088	2	9/16 SAE Plug
24	BH-7225-10	31265	2	Hydraulic Cylinder
25	F-A3405-6-6	31089	2	90° Elbow
26	BH-7229-64	31090	2	Bottom Half Hydraulic Line
27	BH-7226-83	31032	1	Union Tee
28	BH-7228-65	31298	1	Hyd. Line, Power Unit Fenner
	BH-7228-66	31065	1	Hyd. Line, Power Unit Barnes
29	BH-7228-45	31116	1	Union, O-Ring x Tube
30	BH-7006-01	31295-1	1	2HP 1PH 3.5 Gal. Power Unit
	BH-7006-03		1	2HP 3PH 3.5 Gal. Power Unit
31	BH-7225-01	31057	4	Rubber Arm Pad Hex
	BH-7225-01-4		1	Rubber Arm Pad KIT w/Hardware
32	BH-7225-03	31133	4	Adapter w/ Rubber Pad
33	F-HN-0250-20	31061	8	Push Nut 1/4"
34	BH-7229-62	31110	4	Link Weldment
35	BH-7229-40	31108	4	Arm Restraint Insert

Item	SVI part #	OEM #	Req	Description
36	F-SC-0500-13-1500	31112	8	Allen Bolt 1/2-13
37	BH-7229-60	31109	4	Spring
38	BH-7229-41	31107	4	Arm Restraint Sleeve Weldment
	BH-7228-44	11182, 01555	4	Arm Restraint KIT w/Hardware
	BH-7228-44-4			Arm Restraint KIT 8" (4 Arms)
39	F-HC-0500-13-0750	31111	4	1/2-13 x 3/4 Hex Bolt
40	F-HC-0375-16-0750	31305	8	3/8-16 x 3/4 Ext. Stop Bolt
41	BH-7225-15	31134	4	Arm pin 1-1/2" x 6"
	BH-7225-15A		4	Arm Pin - Call with Size
	BH-7225-15B		4	Arm Pin - Call with Size
	BH-7225-15C		4	Arm Pin - Call with Size
42	BH-7226-69C	39018	2	Arm Inner Rear
43	BH-7226-69	39017	2	Female Arm Outer-Rear Assembly
44	BH-7226-69B	39019	2	Arm Inner Front
45	BH-7229-42	39016	1	Female Arm Front Right Assembly
	BH-7229-43	39015	1	Female Arm Front Left Assembly
47	BH-7225-23	31023	16	Slider UHMW w/Metal Insert
	BH-7225-23OS	11036		Oversized Slider w/Metal Insert

For Model 31000

Locking Assembly

Lifting Assembly



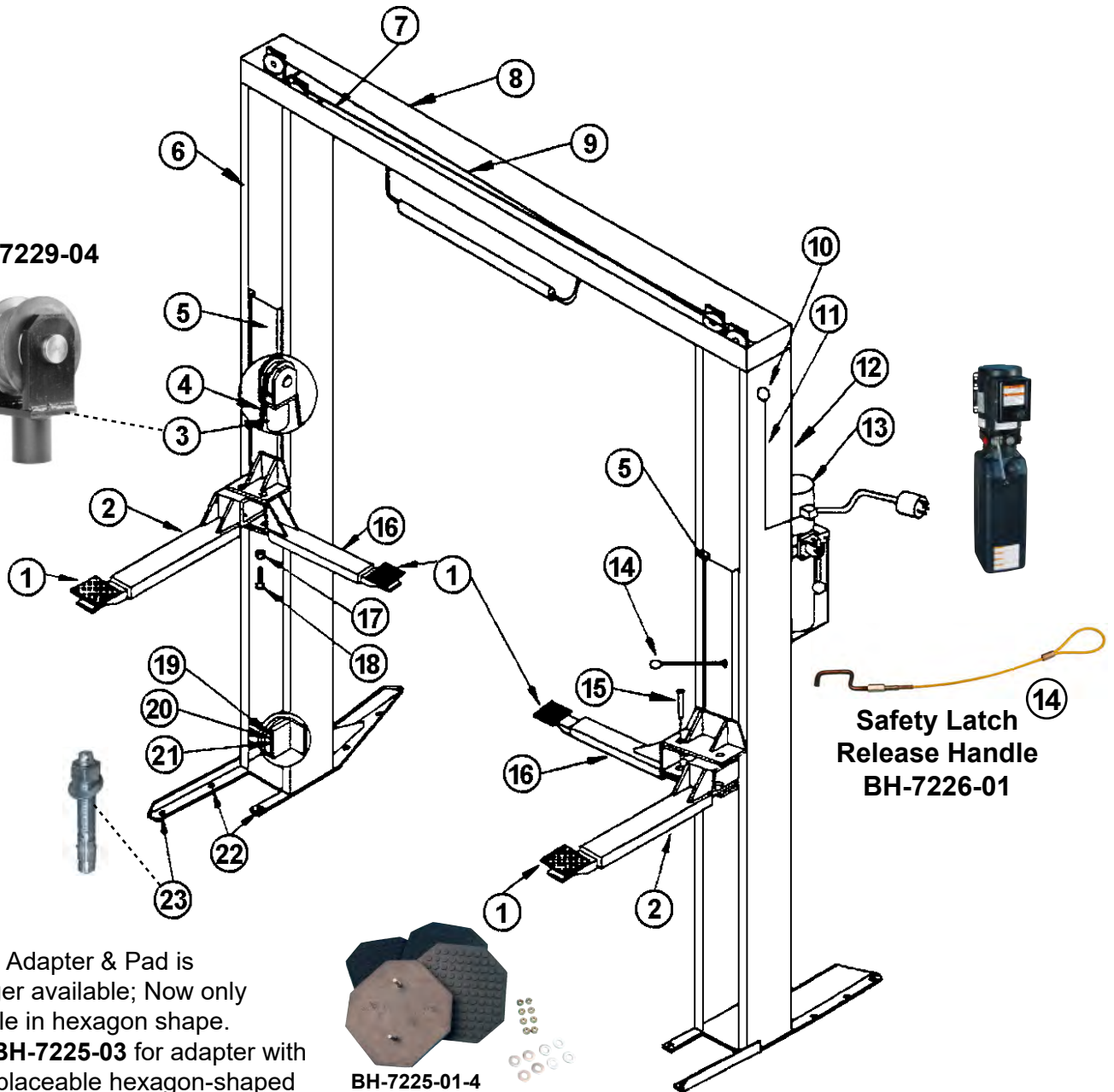
53 Safety Latch Release Handle BH-7226-01

Item	SVI part #	OEM #	Req	Description
48	F-HC-0750-16-3000	31081	2	3/4-16 x 3 Hex Bolt
49	F-SB-0500-20-1750	31263	2	1/2-20 x 1-3/4 Shoulder Bolt
50	BH-7229-44	31261	2	Gravity Latch (order BH-7225-17)
51	F-RP-250-1750	31211	2	1/4 x 1-3/4 Roll Pin
52	BH-7225-32	31262	2	Trigger (order BH-7225-17)
53	BH-7226-01	31150/51	2	Safety Latch Release Handle
50,	BH-7225-17			Lock Latch Assembly
52	(includes BH-7229-44, BH-7225-32 and fasteners)			

Item	SVI part #	OEM #	Req	Description
55	BH-7028 or 7029	31079	74	3/4 Leaf Chain - 74 Pitches **Available—See SVI's LRC7020 Chain Booklet
56	BH-7029-01	31297	2	Headed Pin
57	BH-7226-86	31094	1	Cylinder Rod End Assembly
58	BH-7225-92	31093	1	Pin-Drive Chain Roller
59	BH-7229-03	30022	1	Lift Chain Roller 1"
60	BH-7225-16	31021	2	1-3/8 External Snap Ring
61	BH-7226-80	31020	2	1-3/8 Washer

For Model 33000 For lock latch and slider block see page 53.

BH-7229-04



**Safety Latch Release Handle
BH-7226-01**

Square Adapter & Pad is no longer available; Now only available in hexagon shape. Order **BH-7225-03** for adapter with new replaceable hexagon-shaped rubber arm pad (**BH-7225-01**).



BH-7225-01-4
(kit for 1 lift)

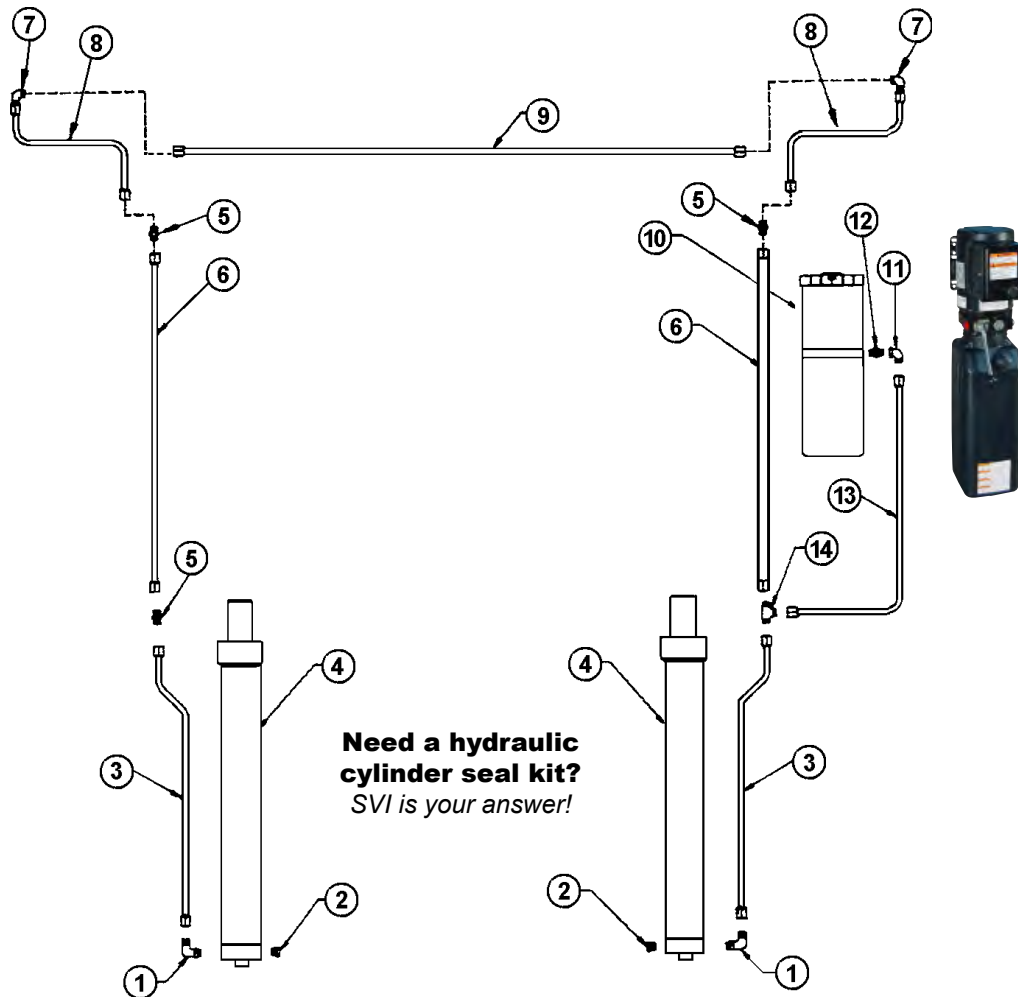
Item	SVI part #	OEM #	Req	Description
1	BH-7225-03	31133	4	Adapter 3-1/2" w/Rubber Pad
2	BH-7226-35	330009	2	Arm Rear
3	BH-7229-04	31033	2	Cylinder Rod End Assembly
4	BH-7028	30019	74	3/4 Leaf Chain - Need two 74 pitch pieces if doing complete lift
7	BH-7225-12S	330019	1	Eq. Short Cable
8	BH-7226-40	330022	1	Overhead Channel Assembly
9	BH-7225-12L	330005	1	Eq. Cable Long
10	BH-7229-78	31354	1	Rubber Grommet Overhead Wire

Item	SVI part #	OEM #	Req	Description
13	BH-7006-01	200072	1	2HP 1PH 3.5 Gal. Power Unit
	BH-7006-03		1	2HP 3PH 3.5 Gal. Power Unit
14	BH-7226-01	31150/51	2	Safety Latch Release Handle
15	BH-7226-36	330026	4	Swivel Arm Pin
17	F-JN-0500-13	200202	2	Jam Nut for Stop Bolt
18	F-HN-0500-13	200166	2	1/2" Stop Bolt
19	BH-7229-11	31070	6	Eq. Chain Sprocket Washer
20	BH-7226-13	31019	6	Pulley for Eq. Cable
21	BH-7225-16	31021	6	1-3/8 External Snap Ring
22	BH-7228-55	210047	4	Plastic Plug for Base
23	BH-7075-03	31058	6	3/4" x 5-1/2" Anchor Bolts



For Model 33000

Overhead Hydraulic System



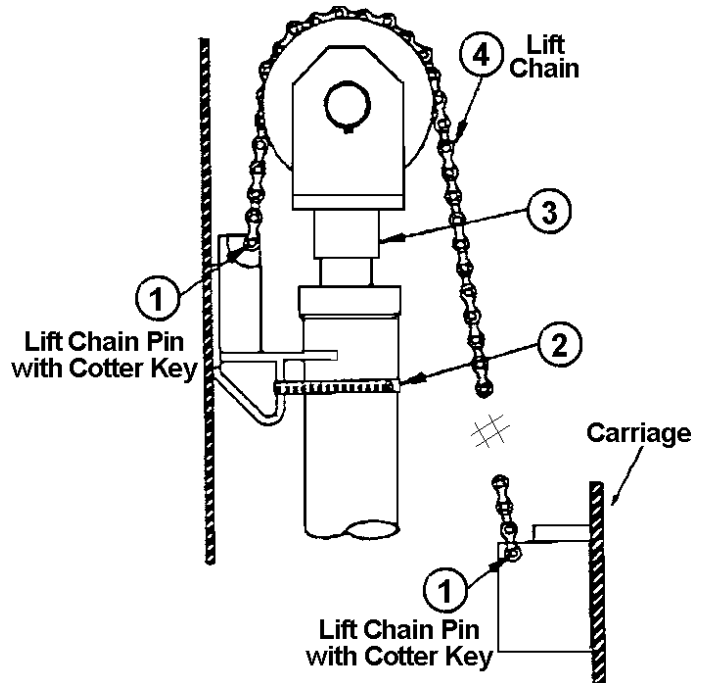
Item	SVI part #	OEM #	Req	Description
1	BH-7229-66	200008	2	90° Connector, O-Ring x Tube
2	BH-7228-47	200058	2	Hydraulic O-Ring Plug
3	BH-7228-35	330012	2	Hydraulic Line, Cyl. to Tee
4	BH-7225-10	200001	2	Hydraulic Cylinder
5	BH-7229-61	31047	3	Straight Union
6	BH-7228-36	330013	2	Hyd. Line, Tee to Col. Top DS
7	BH-7227-46	200007	2	90° Elbow, Tube x Tube

Item	SVI part #	OEM #	Req	Description
8	BH-7228-37	330014	2	Hyd. Line, Top Col. to Overhead
9	BH-7228-34	330011	1	Hydraulic Line, Overhead
10	BH-7006-01	200072	1	2HP 1PH 3.5 Gal. Power Unit
	BH-7006-03		1	2HP 3PH 3.5 Gal. Power Unit
11	BH-7227-45	36051	1	90° Swivel Elbow
12	BH-7230-74	36048	1	O-Ring Union
13	BH-7228-38	330016	1	Hyd. Line, Power Unit to Tee
14	BH-7226-83	31032	1	Union Tee Parker

For Model 33000

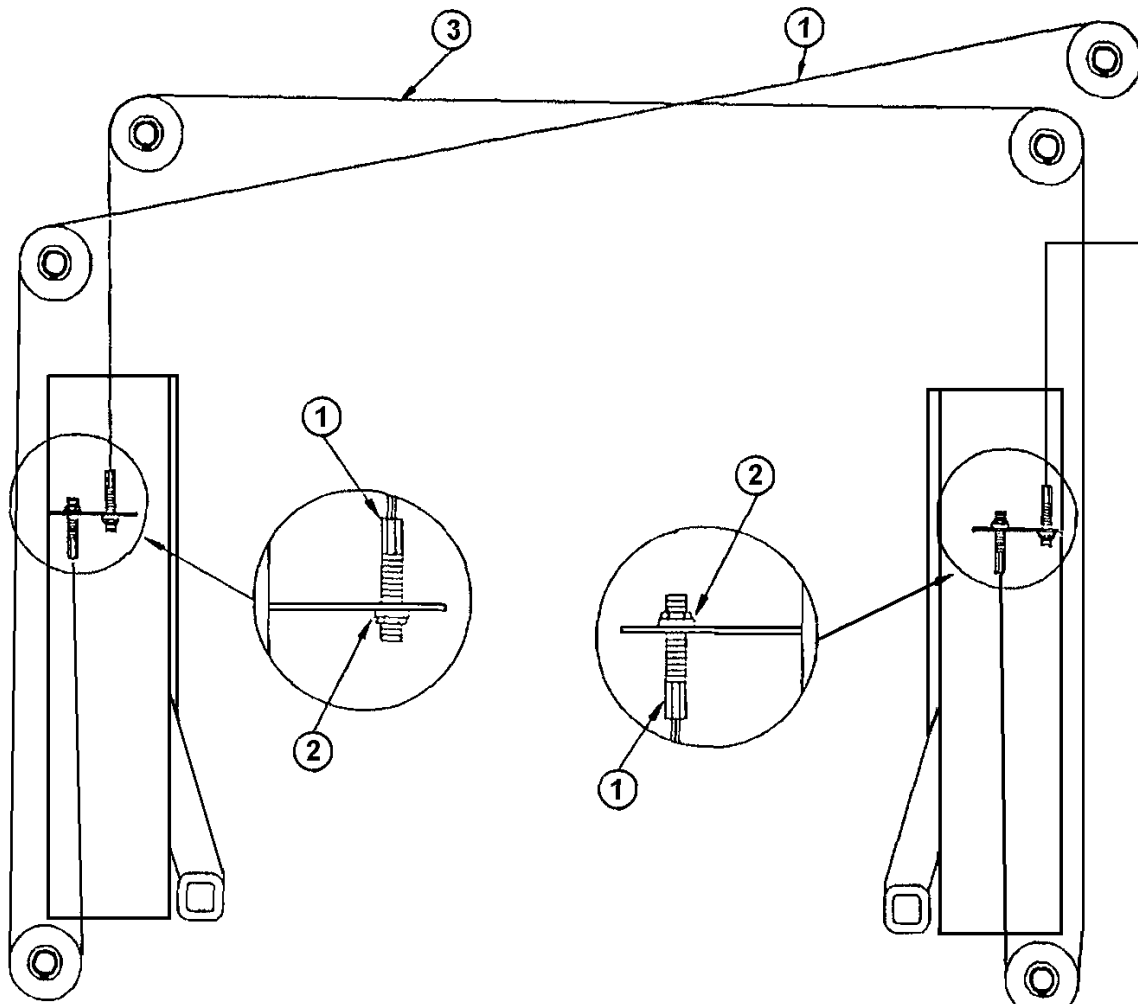
Drive Chain Assembly

Item	SVI part #	OEM #	Req	Description
1	BH-7029-01	30030	4	Lift Chain Pin
2	BH-7225-19	200047	2	Hydraulic Cylinder Clamp
3	BH-7229-04	31033	2	Cylinder Rod End Assembly
4	BH-7028	30019	74	3/4 Leaf Chain - Need two 74 pitch piece if doing complete lift



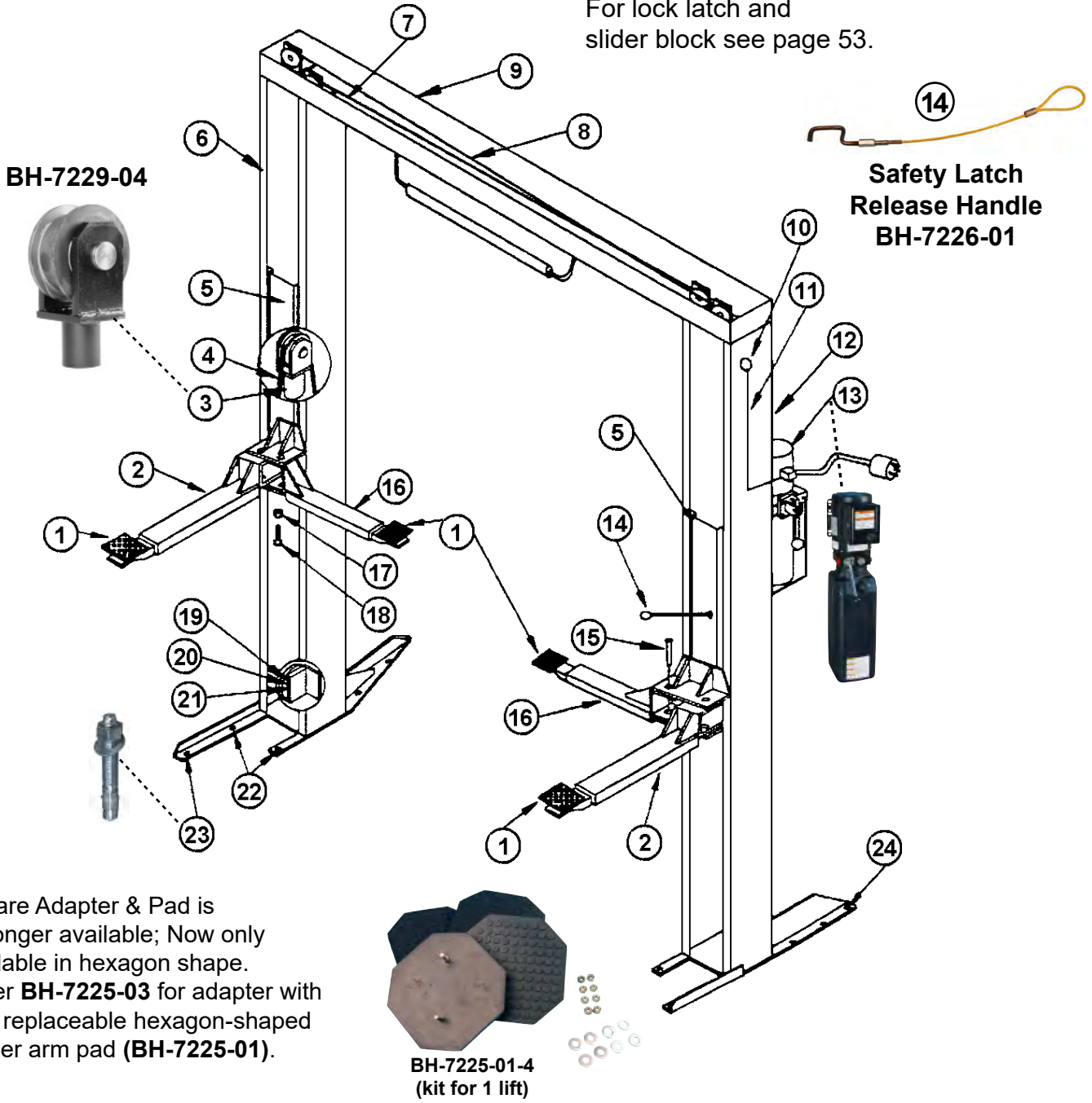
Equalizer Cable Arrangement

Item	SVI part #	OEM #	Req	Description
1	BH-7225-12L	330005	2	Eq. Cable Long
2	F-NL-0875-14	26055	4	7/8-14 Adjustment Lug
3	BH-7225-12S	330019	1	Eq. Cable Short



For Model 35000 (7000 lb. capacity)

For lock latch and slider block see page 53.



Square Adapter & Pad is no longer available; Now only available in hexagon shape. Order **BH-7225-03** for adapter with new replaceable hexagon-shaped rubber arm pad (**BH-7225-01**).



P
a
g
e

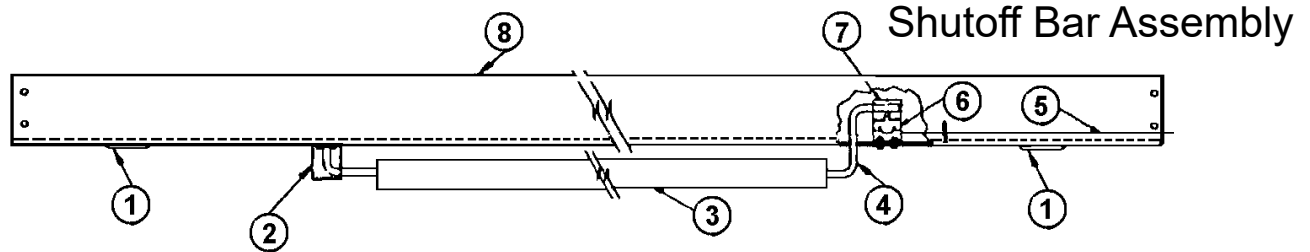
Item	SVI part #	OEM #	Req	Description
1	BH-7225-03	31133	4	Adapter 3-1/2" w/Rubber Pad
2	BH-7226-35	330009	2	Arm Rear
3	BH-7229-04	31033	2	Cylinder Rod End Assembly
4	BH-7028	30019	74	3/4 Leaf Chain - Need two 74 pitch pieces if doing complete lift
7	BH-7226-50	350015	1	Eq. Cable 31' 10" - Short
8	BH-7226-49	330005	1	Eq. Cable 33' 0" - Long
9	BH-7226-52	350021	1	Overhead Channel Assembly
10	BH-7229-78	31354	1	Rubber Grommet Overhead Wire

Item	SVI part #	OEM #	Req	Description
13	BH-7006-01	200076	1	2HP 1PH 3.5 Gal. Power Unit
	BH-7006-03		1	2HP 3PH 3.5 Gal. Power Unit
14	BH-7226-01	31150/51	2	Safety Latch Release Handle
15	BH-7226-36	330026	4	Swivel Arm Pin
17	F-JN-0500-13	200202	2	Jam Nut for Stop Bolt
18	F-HN-0500-13	200166	2	1/2" Stop Bolt
19	BH-7229-11	31070	6	Eq. Chain Sprocket Washer
20	BH-7226-13	31019	6	Pulley for Eq. Cable
21	BH-7225-16	31021	6	1-3/8 External Snap Ring
22	BH-7228-55	210047	4	Plastic Plug for Base
23	BH-7075-03	31058	6	3/4" x 5-1/2" Anchor Bolts



DIRECTFIT™

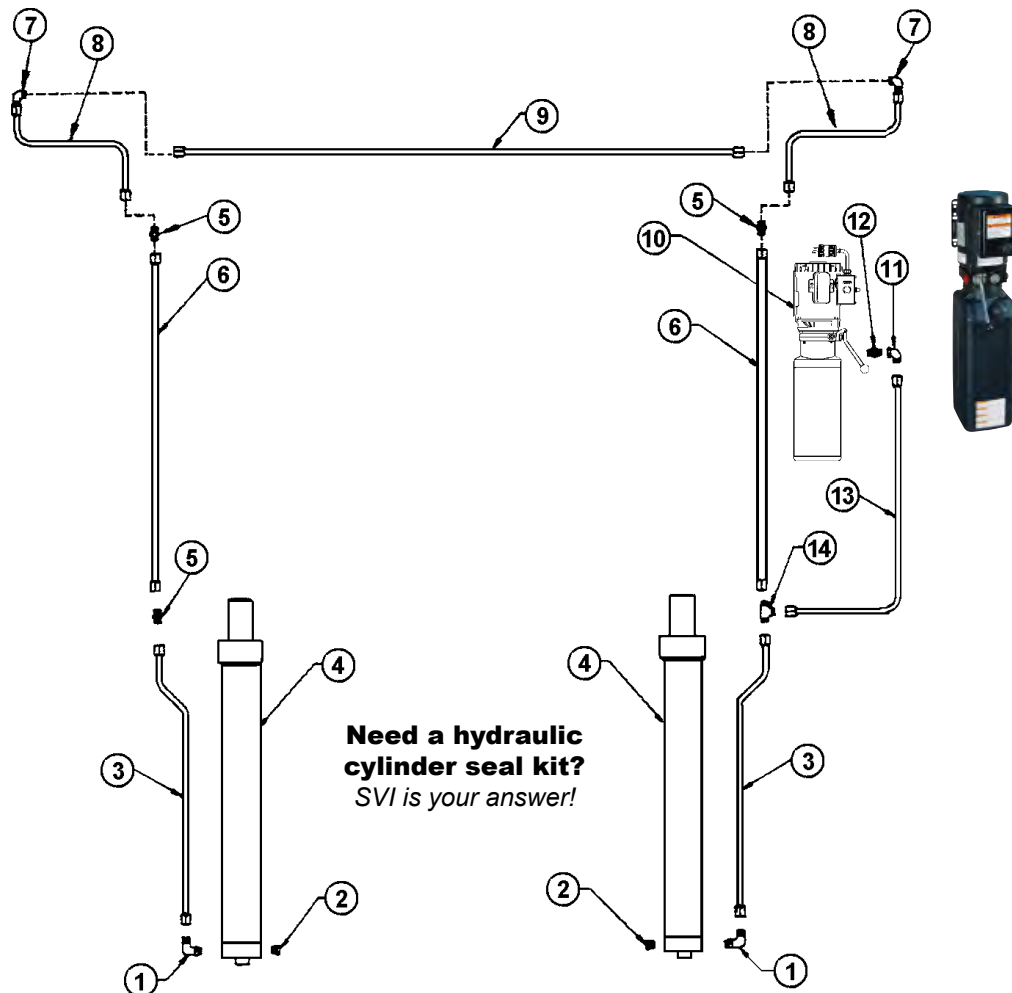
For Model 35000 (7000 lb. capacity)



Item	SVI part #	OEM #	Req	Description
1	BH-7230-68	330023	2	Rubber Grommet Hyd. Line
2	BH-7225-75	31063	2	Pivot Bracket
3	BH-7225-68	31129	1	Cushion 1/2 Shutoff Bar
4	BH-7225-72	31064	1	Shutoff Bar Square

Item	SVI part #	OEM #	Req	Description
5	BH-7225-70	210031	1	Overhead Wire 5'
6	BH-7225-73	31166	1	Limit Switch, Overhead Sq.
7	BH-7225-74	31164	1	Limit Switch Bracket
8	BH-7226-52	350021	1	Overhead Channel Assembly

Overhead Hydraulic System



Need a hydraulic cylinder seal kit?
SVI is your answer!

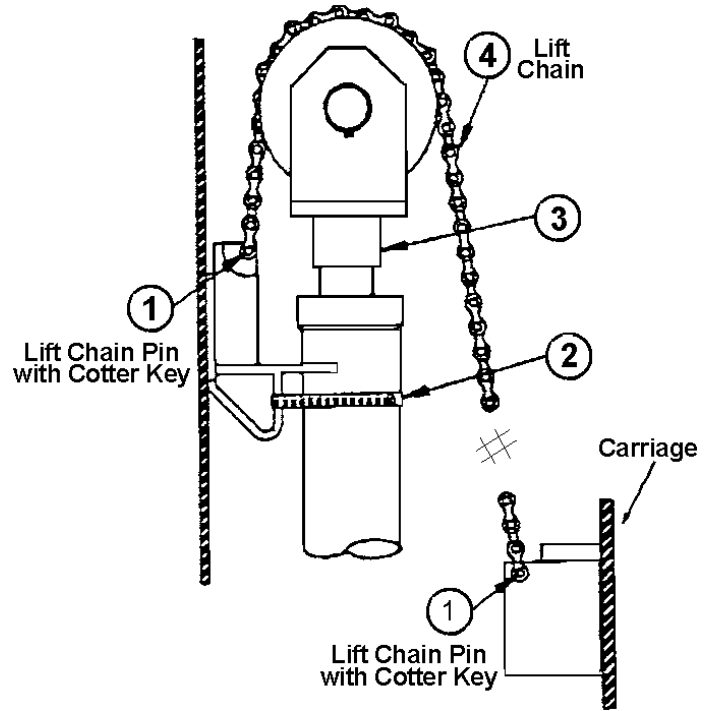
Item	SVI part #	OEM #	Req	Description
1	BH-7229-66	200008	2	90° Connector, O-Ring x Tube
2	BH-7228-47	200058	2	Hydraulic O-Ring Plug
3	BH-7228-35	330012	2	Hydraulic Line, Cyl. to Tee
4	BH-7225-10	200001	2	Hydraulic Cylinder
5	BH-7229-61	31047	3	Straight Union
6	BH-7228-36	330013	2	Hydraulic Line, Tee to Col. Top DS
7	BH-7227-46	200007	2	90° Elbow, Tube x Tube

Item	SVI part #	OEM #	Req	Description
8	BH-7228-37	330014	2	Hyd. Line, Top Col. to Overhead
9	BH-7228-34	330011	1	Hydraulic Line, Overhead
10	BH-7006-01	200072	1	2HP 1PH 3.5 Gal. Power Unit
	BH-7006-03		1	2HP 3PH 3.5 Gal. Power Unit
11	BH-7227-45	36051	1	90° Swivel Elbow
12	BH-7230-74	36048	1	O-Ring Union
13	BH-7228-38	330016	1	Hyd. Line, Power Unit to Tee
14	BH-7226-83	31032	1	Union Tee Parker

For Model 35000 (7000 lb. capacity)

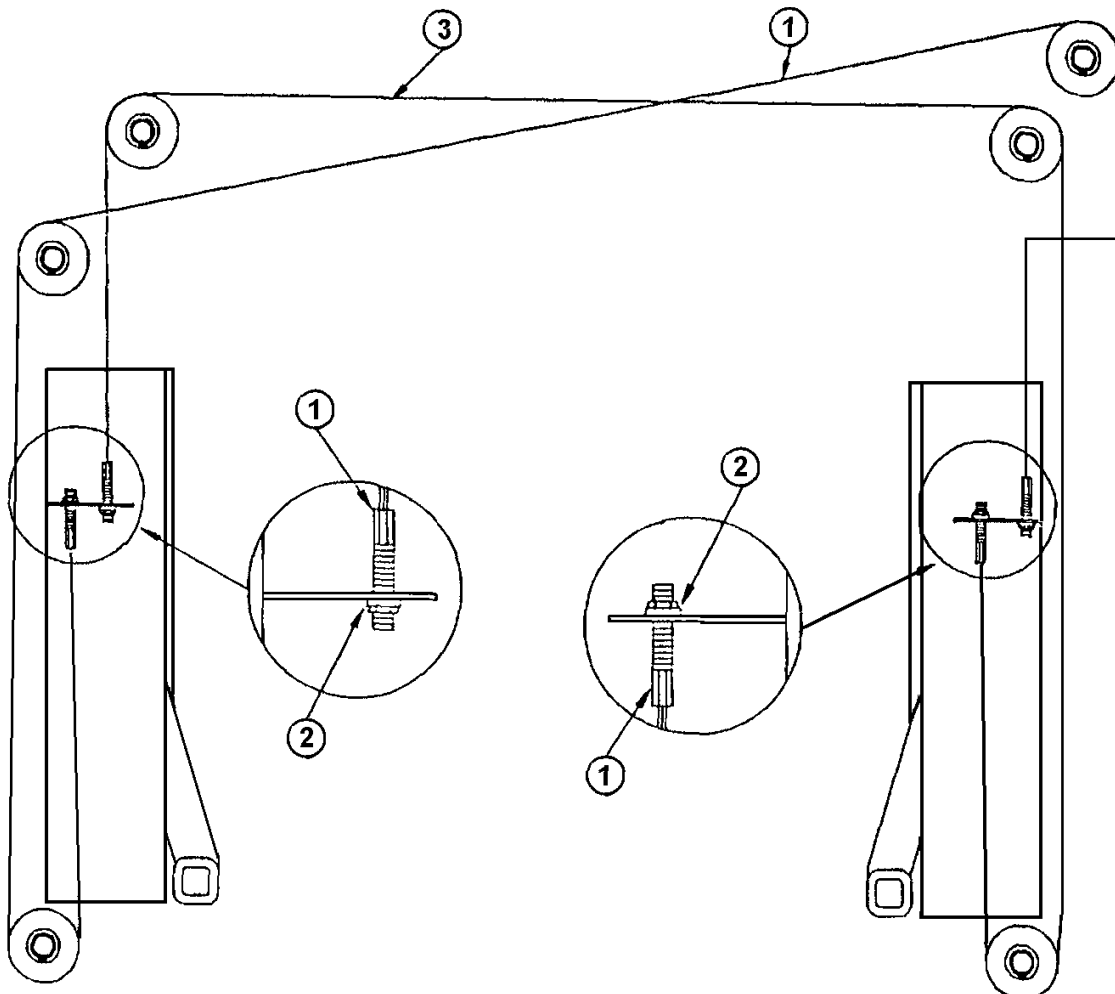
Drive Chain Assembly

Item	SVI part #	OEM #	Req	Description
1	BH-7029-01	30030	4	Lift Chain Pin
2	BH-7225-19	200047	2	Hydraulic Cylinder Clamp
3	BH-7229-04	31033	2	Cylinder Rod End Assembly
4	BH-7028	30019	74	3/4 Leaf Chain - Need two 74 pitch pieces if doing complete lift



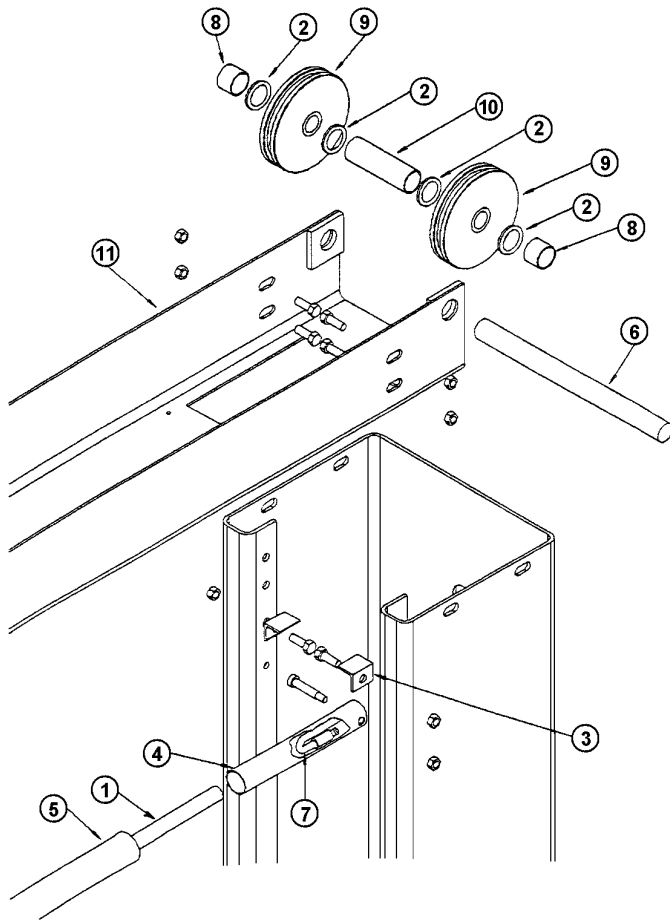
Equalizer Cable Arrangement

Item	SVI part #	OEM #	Req	Description
1	BH-7226-49	35014	1	Eq. Cable 33'
2	F-NL-0750-10	300010	4	Adjustment Stud Locknut
3	BH-7226-50	330015	1	Eq. Cable 31' 10"



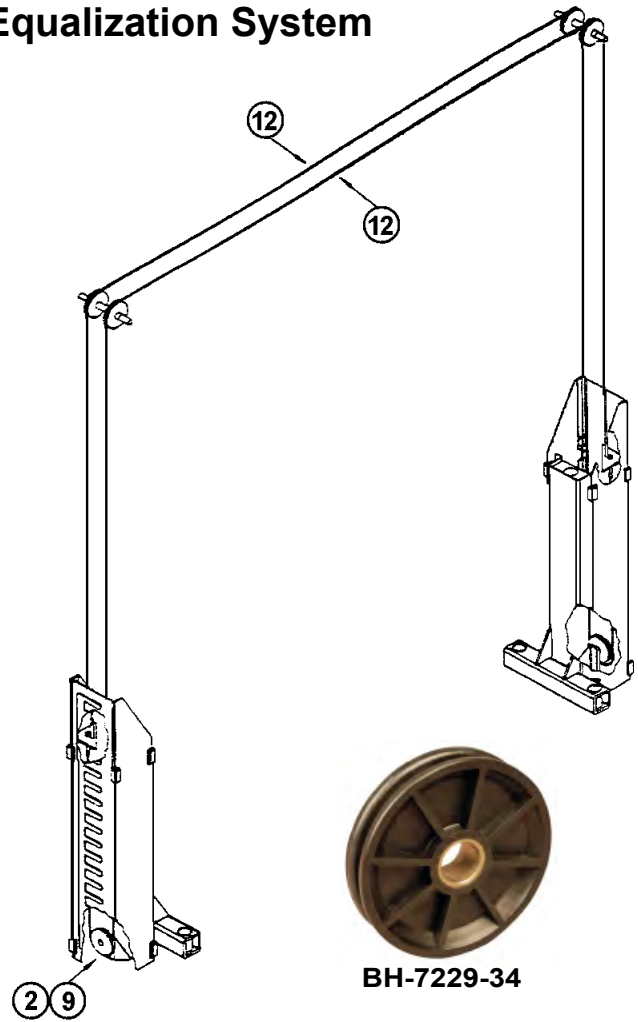
For Models 36000, 37000, 39000
 (7000 lb. capacity for models 36000 & 37000 /
 9000 lb. capacity for model 39000)

Overhead System



Item	SVI part #	OEM #	Req	Description
1	BH-7226-99	36035	1	Overhead Shutoff Bar Assembly
2	BH-7229-36	36013	1	1" Washer
3	BH-7229-80	36064	4	Clip Angle
4	BH-7226-97	36026	1	Switch Tube
5	BH-7225-68	31129	1	Cushion 1/2 Shutoff Bar
6	BH-7229-81	36024	2	Sheave Pin

Equalization System



Item	SVI part #	OEM #	Req	Description
7	BH-7229-37	36027	1	Mercury Limit Switch - 21' Cord
8	BH-7229-35	36087	4	Spacer 7/8"
9	BH-7229-34	36025	4	Pulley/Sheave Assembly
10	BH-7227-05	36086	2	Long Spacer
11	BH-7226-70	36034	1	Overhead Crossbeam
12	BH-7229-30	36036	2	Eq. Cable 33' 10"

BH-7229-34



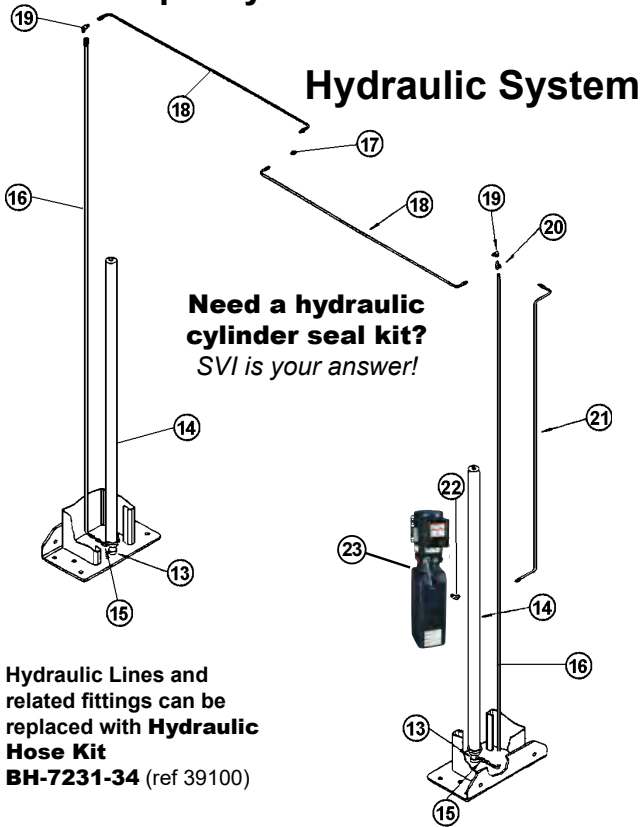
Mercury Limit Switch
21' Cord
BH-7229-37
 (Ref 36027)



DIRECTFIT™

For Models 36000, 37000, 39000

(7000 lb. capacity for models 36000 & 37000 / 9000 lb. capacity for model 39000)

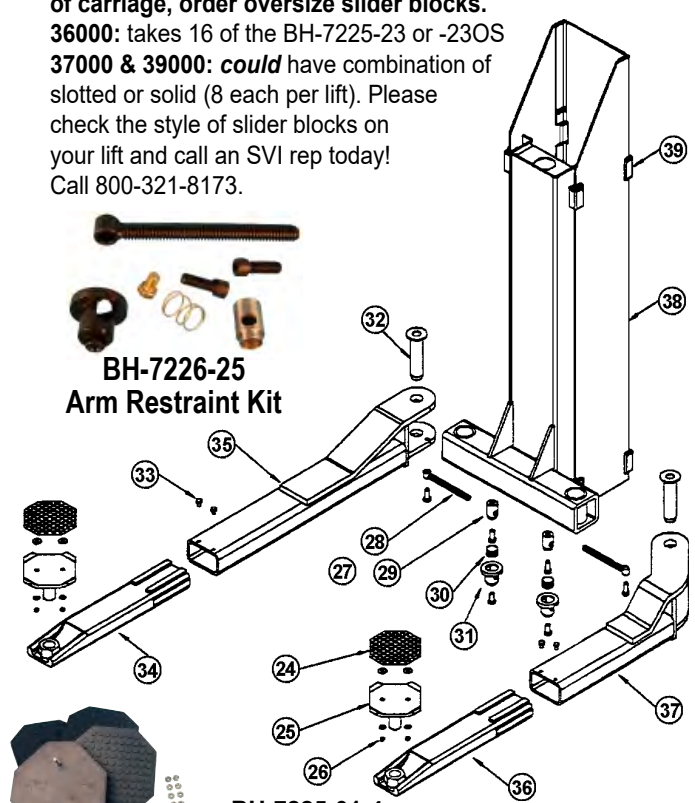


*** Hydraulic Lines and related fittings can be replaced with **Hydraulic Hose Kit BH-7231-34** (ref 39100)

Carriage Arm Assembly

** If slider blocks have dropped out of carriage, order **oversize slider blocks**.
36000: takes 16 of the BH-7225-23 or -23OS
37000 & 39000: could have combination of slotted or solid (8 each per lift). Please check the style of slider blocks on your lift and call an SVI rep today!
 Call 800-321-8173.

BH-7226-25 Arm Restraint Kit



BH-7225-01-4 (Pad Kit for 1 Lift)

Item	SVI part #	OEM #	Req	Description
***	BH-7231-34	39100		Hydraulic Hose Kit
---	call for details	39101-048		Hydraulic Hose for 39000 2' EXT
13	F-HN-0250-20	31061	2	Push Nut 1/4"
14*	BH-7231-21	36115	2	Hydraulic Cylinder
15	BH-7228-45	31116	2	Union O-Ring x Tube
16	BH-7229-82	36049	2	Hydraulic Line
16***	BH-7231-34A	39100-266		Idler Cylinder Hose Assembly
16***	BH-7231-34B	39100-130		Power Cylinder Hose Assembly
17	BH-7229-61	31047	1	Straight Union
18	BH-7229-83	36032	2	Hydraulic Line - Overhead
19	BH-7227-45	36051	2	9/16 Swivel Elbow
20	BH-7226-83	31032	1	Union Tee Parker
21	BH-7229-68	36033	1	Hydraulic Line (Barnes)
21	BH-7229-84	36128	1	Hydraulic Line (Fenner)
21***	BH-7231-34C	39100-087		Power Unit Hose Assembly
22	F-A3405-6-6	31089	2	90° Elbow
23	BH-7006-01		1	2HP 1PH 3.5 Gal. Power Unit
	BH-7006-03		1	2HP 3PH 3.5 Gal. Power Unit
24	BH-7225-01	31057	4	Rubber Pads
	BH-7225-01-4	31057		Arm Pad Kit (4 pads for 1 lift)
25	BH-7225-03	31133	4	Adapter 3-1/2" w/Rubber Pad
26	F-HN-0250-20	31061	8	Push Nut 1/4"
27	BH-7226-25	31052	4	Arm Restraint Kit w/Hardware
27a	BH-7226-57		1	Arm Restraint Kit - Complete Lift
28	BH-7229-62	31110	4	Link Weldment
29	BH-7229-40	31108	4	Arm Restraint Insert
30	BH-7229-60	31109	4	Spring
31	BH-7229-41	31107	4	Sleeve Weldment

Item	SVI part #	OEM #	Req	Description
32	BH-7225-15	31134	4	Arm Pin 1-1/2" x 6"
	BH-7225-15A		4	Arm Pin - Call with Size
	BH-7225-15B		4	Arm Pin - Call with Size
	BH-7225-15C		4	Arm Pin - Call with Size
33	F-HC-0375-16-0750	31305	8	Ext. Stop Bolts 3/8-16 x 3/4
34	BH-7227-56	37044	2	Arm Inner Rear for 36000 & 37000
	BH-7226-69C	39074	2	Arm Inner Rear for 39000
35	BH-7226-69	39017	2	Female Arm Outer-Rear Assy for 36000, 37000, and 39000
36	BH-7227-58	37047	2	Arm Inner Front for 36000 & 37000
	BH-7226-69B	39019	2	Arm Inner Front for 39000
37	BH-7228-76	39076	1	Arm Outer LF for 36000, 37000 & 39000
	BH-7228-76A	39077	1	Arm Outer RF for 36000, 37000 & 39000
38	BH-7227-64	37086	2	Carriage 3" Lock Intervals for 36000 and 37000
	BH-7227-79	39053	2	Carriage 3" Lock Intervals for 39000
38a	BH-7229-85	11099	2	Carriage 6" Lock Intervals for 36000 and 37000
	BH-7229-86	11100	2	Carriage 6" Lock Intervals for 39000
39	BH-7225-23	31023	**	Slotted Slider Block
	BH-7226-63	36011	**	Solid Slider Block
	BH-7225-23OS	11036	**	Oversize Slotted Slider Blocks
	BH-7226-64	11077	**	Oversize Solid Slider Blocks

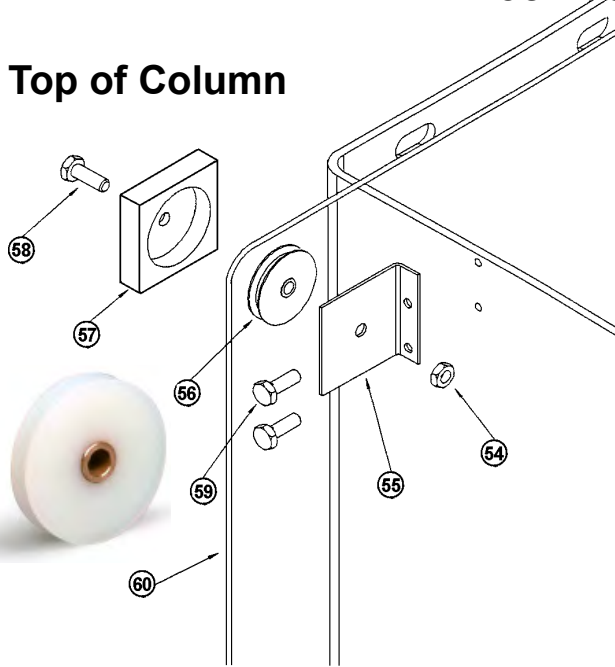
Page

52

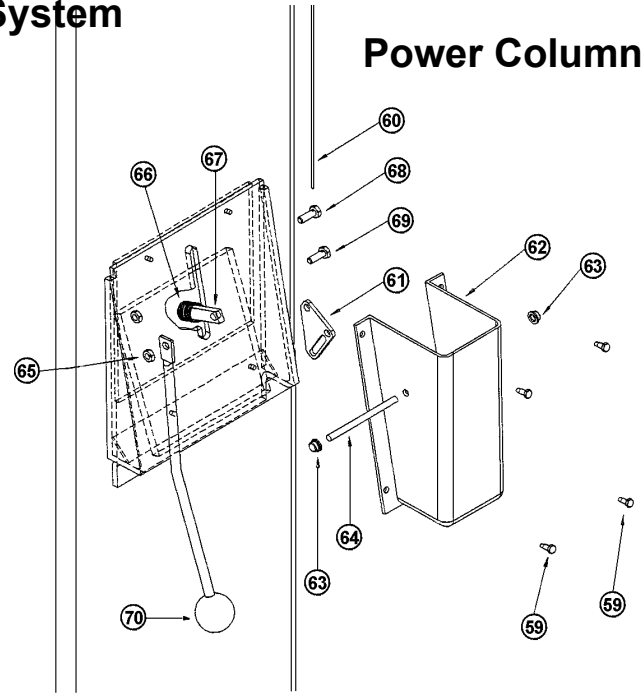
**For Models 36000
7000 lb. capacity**

Lock Release System

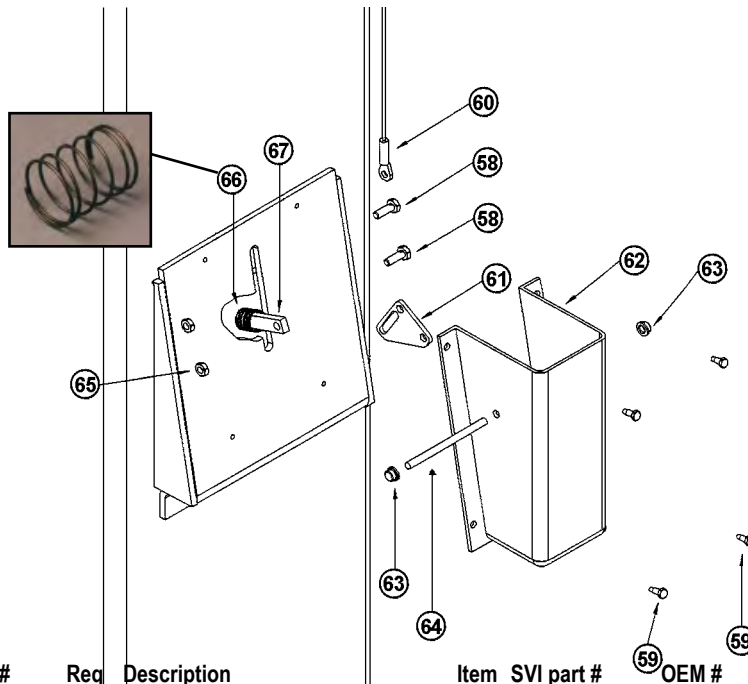
Top of Column



Power Column



Idler Column



Item	SVI part #	OEM #	Req	Description
54	F-HN-0250-20	31061	1	Push Nut 1/4-20
55	BH-7229-32	36053	1	Pulley Bracket
56	BH-7229-20	36054	1	Pulley
57	BH-7229-21	36052	1	Pulley Housing
58	F-HC-0250-20-1000	36095	1	Hex Bolt 1/4-20 x 1
59	BH-7229-26	36055	2	Self Tapping Bolt
60	BH-7225-38	36029	1	Lock Release Cable
61	BH-7229-19	36062	1	Pivot Link
62	BH-7229-24	36031	1	Lock Cover (Screw On)

Item	SVI part #	OEM #	Req	Description
63	BH-7229-25	36061	2	Push Nut 1/4"
64	BH-7225-50	36060	1	Pivot Rod
65	F-NL-0250-20	36059	2	Lock Nut 1/4-20
66	BH-7229-28	36057	1	Compression Spring
67	BH-7226-98	36030	1	Latch
68	F-HC-0250-20-0750	36058	1	Adjusting Bolt
69	F-HC-0250-20-1000	36095	1	Hex Bolt 1/4-20 x1
70	BH-7225-44	36028	1	Handle Assembly

For Models 37000, 39000, 70000, 71000
 (7000 lb. capacity for model 37000 /
 9000 lb. capacity for models 39000 & 70000)

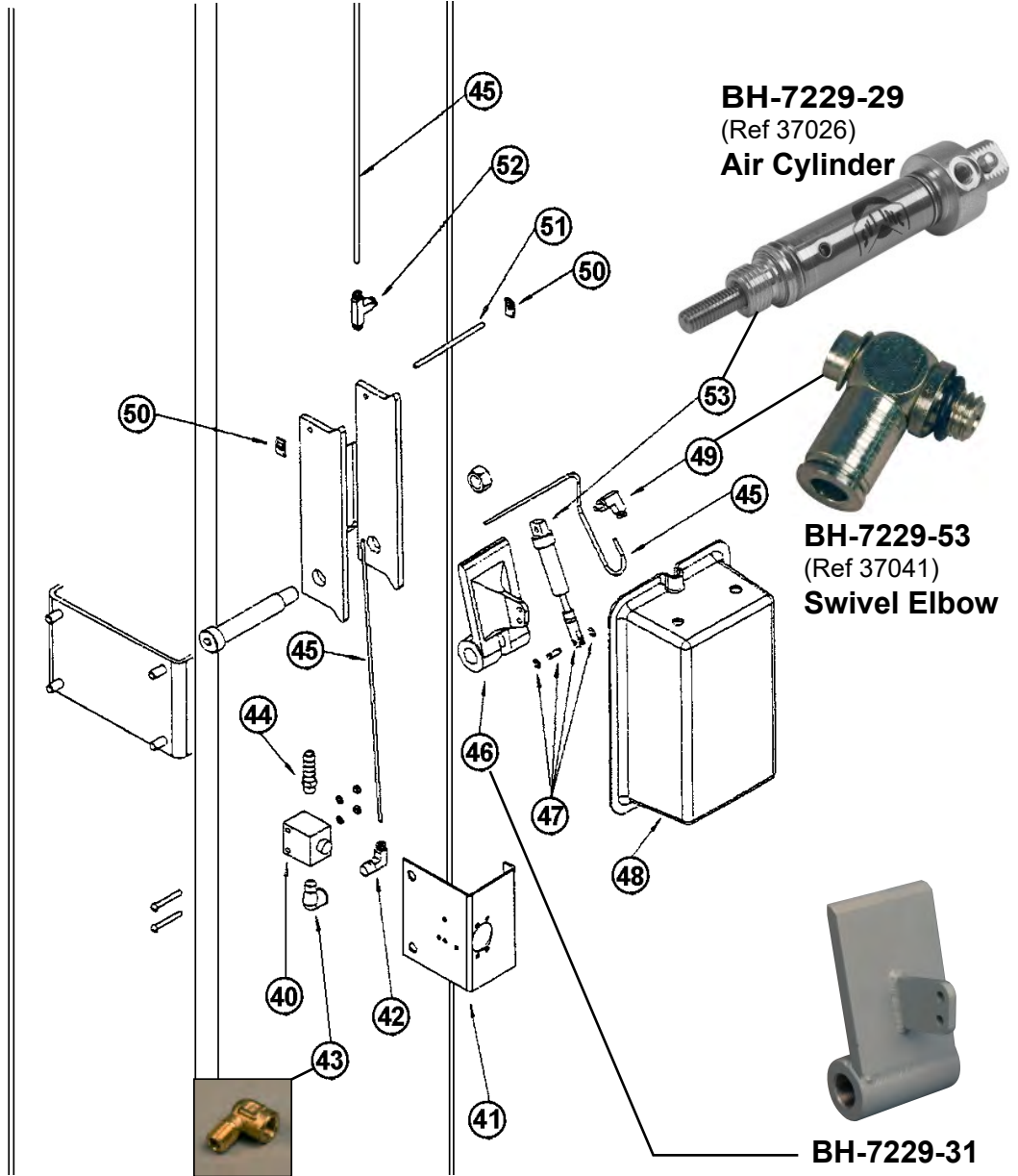
Air Lock Release System



BH-7229-70
 (Ref 37072)
Lock Cover
 (Snap On)



Lock Release
Air Valve Switch
BH-7228-73



Item	SVI part #	OEM #	Req	Description
40	BH-7228-73	37016	1	Lock Release Air Valve Switch
41	BH-7229-87	37015	1	Valve Bracket
42	BH-7228-78	37019	1	90° Elbow
43	BH-7229-88	37020	1	90° Elbow
44	BH-7229-89	37021	1	3/8" Hose Barb
45	BH-7229-90	37035	1	Air Line
46	BH-7229-31	37081	2	Lock Pawl
47	BH-7229-52	37029	2	Air Cylinder Clevis
		37120		
47	BH-7229-57			Lock Pin for Air Cylinder

Item	SVI part #	OEM #	Req	Description
48	BH-7229-70	37072	2	Lock Cover (Snap On)
	BH-7229-70M	37072	2	Lock Cover (Molded)
	BH-7227-55 (NLA)	37034	2	Cover (Bolt On)
49	BH-7229-53	37041	2	Swivel Elbow
50	BH-7229-54	37031	4	Speed Nut
51	BH-7229-55	37042	2	Pivot Rod Element
52	BH-7228-77	37032	1	Union Tee 1/8 Tube
53	BH-7229-29	37026	2	Air Cylinder

Mechanical Lock Release Kit • 37000, 39000

BH-7229-71 (Ref 37103) Complete Lock Release Kit



BH-7230-90
(Ref 37104)
Lock Release
Cable Kit



BH-7227-68
(Ref 37098)
Tee Handle
Assembly

BH-7227-66
(Ref 37095)
Torsion Spring



BH-7229-57 (Ref 37119)
Clevis Pin Kit

Complete Lock Release Kit

BH-7229-71 (Ref 37103)

Lock Release Cable Kit (Qty. 1)

BH-7230-90 (OEM 37104) Includes:

Item	SVI part #	OEM #	Qty	Description
BH-7227-72		37125	1	Lock Release Cable - Standard Ht. Plastic Coated 23' Long
BH-7231-03		37096	2	Clevis
BH-7227-70		37102	2	Cable End Cap - Female Threaded Collar with Male Thread
BH-7227-67		37097	2	Cable Stop
F-HN-0250-20		37112	4	Hex Nut 1/4-20

Clevis Pin Kit (Qty. 3)

BH-7229-57 (Ref 37119) Includes:

SVI part #	OEM #	Qty	Description
BH-7231-04	37107	1	Clevis Pin
	37108	2	Retaining Ring

Tee Handle Assembly (Qty. 1)

BH-7227-68 (Ref 37098) Includes:

SVI part #	OEM #	Qty	Description
BH-7227-71	37105	1	T Handle
	37106	1	Cable (Clevis x Threaded End)

Torsion Spring (Qty. 1)

SVI part #	OEM #	Qty	Description
BH-7227-66	37095	1	Torsion Spring

Wire Tie (Qty. 4) (Not pictured)

SVI part #	OEM #	Qty	Description
BH-7234-09	31118	4	Wire Tie

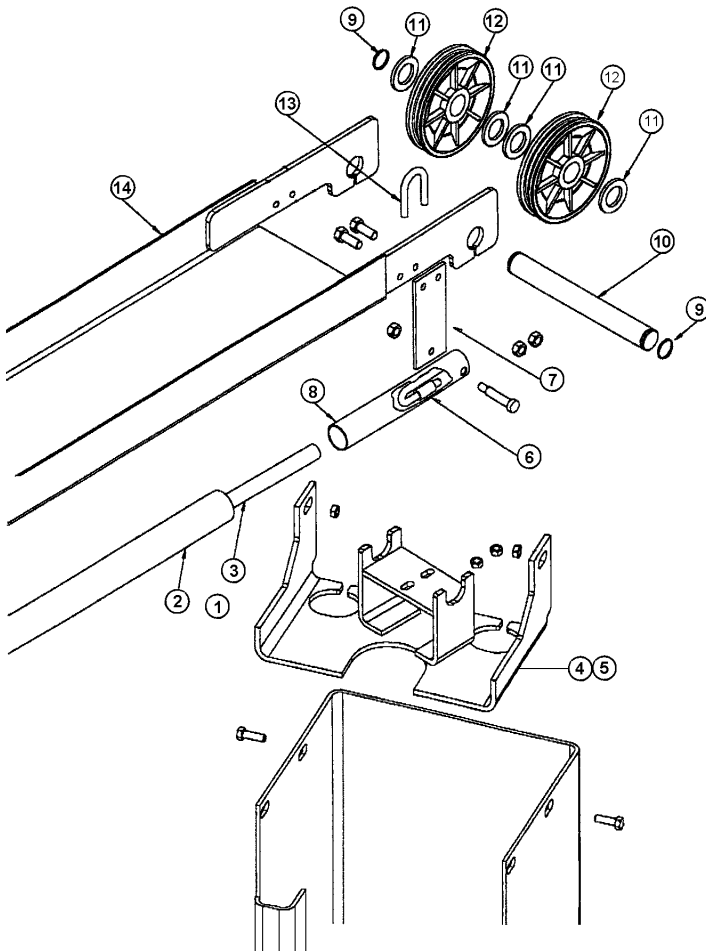
Adhesive Tab (Qty. 4) (Not pictured)

SVI part #	OEM #	Qty	Description
BH-7234-10	31111	4	Adhesive Tab

For Models 70000, 71000 (9000 lb. capacity)

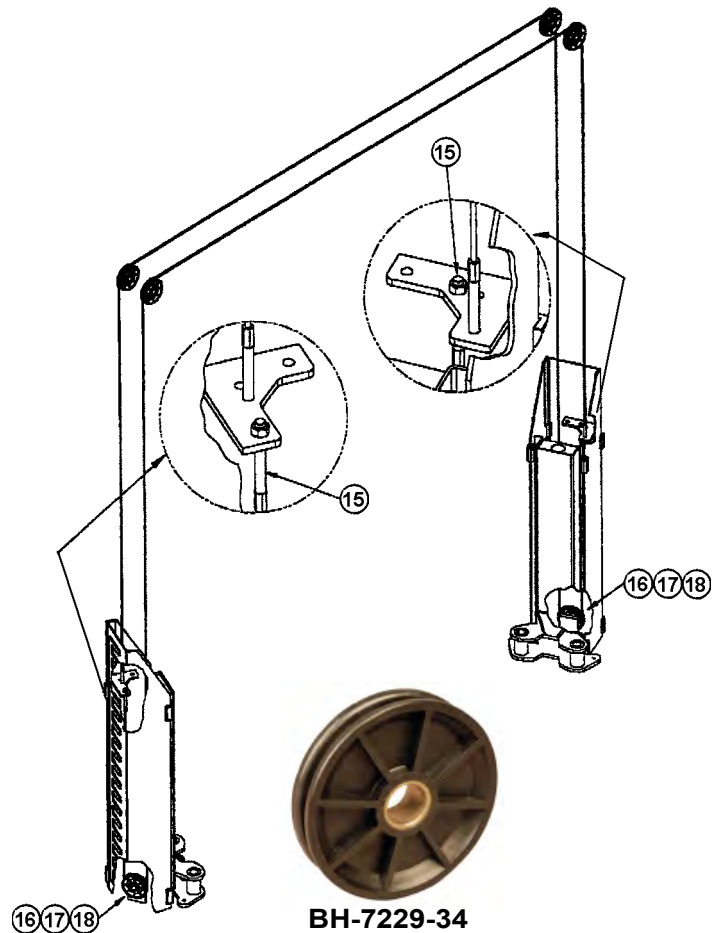
For air lock release system see page 38.

Overhead System



Item	SVI part #	OEM #	Req	Description
1	BH-7227-94	70096	1	Shut Off Bar Assembly (70000)
	BH-7227-97D	71014	1	Shut Off Bar Assembly (71000)
2	BH-7225-68	31129	1	Cushion 1/2 Shut Off Bar
3	BH-7230-70	70099	1	Overhead Shut Off Bar (70000)
	BH-7227-97E	71015	1	Overhead Shut Off Bar (71000)
4	BH-7227-87	70031	1	Overhead Support, Power Side
5	BH-7227-88	70032	1	Overhead Support, Idler Side
6	BH-7229-37	36027	1	Mercury Limit Switch w/ 21' Cord
7	BH-7230-71	70051	2	Shut Off Bar Mount
8	BH-7226-97	36026	1	Switch Tube
9	BH-7230-72	36014	4	1" Retaining Ring

Equalization System



Item	SVI part #	OEM #	Req	Description
10	BH-7227-86	70030	2	Overhead Shaft
11	BH-7229-36	36013	8	1" I.D. Spacer
12	BH-7229-34	36025	4	Pulley/Sheave Assembly
13	BH-7230-73	70060	2	Overhead U-Bolt
14	BH-7227-93	70095	1	Overhead Weldment (70000)
	BH-7227-95	71006	1	Overhead Weldment (71000)
15	BH-7227-92	70093	2	Eq. Cable 33'-3" After S/N 700707
	BH-7227-97F	71020	2	Eq. Cable 32'3" (71000)
16	BH-7229-34	36025	2	Pulley Sheave Assembly
17	BH-7229-36	36013	2	1" I.D. Spacer
18	BH-7230-72	36014	2	1" Retaining Ring



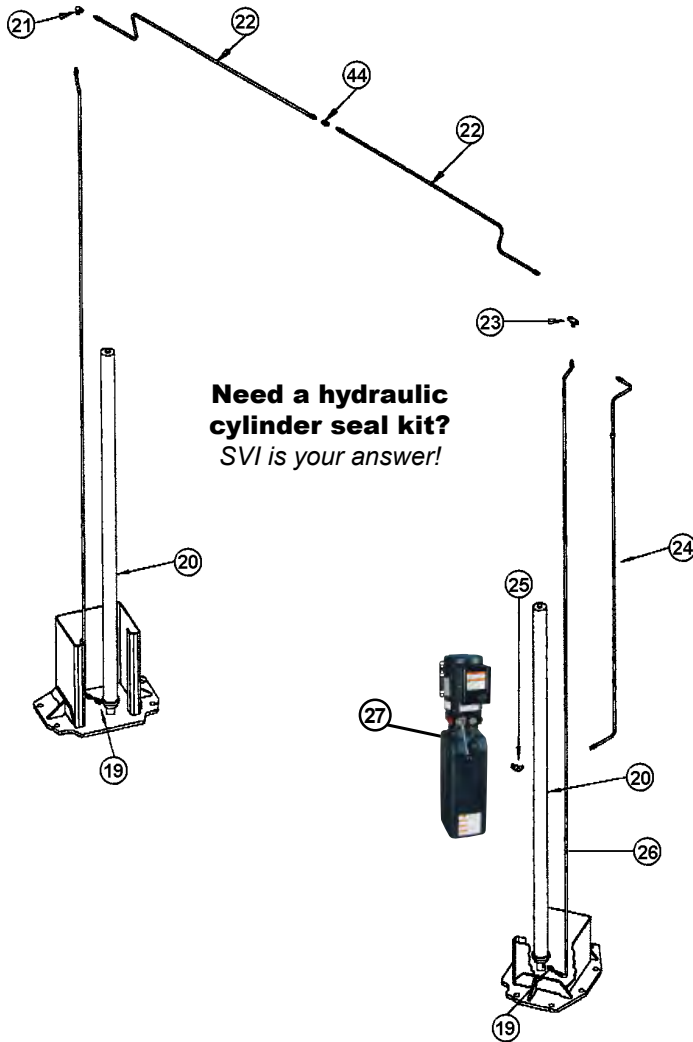
BH-7229-34



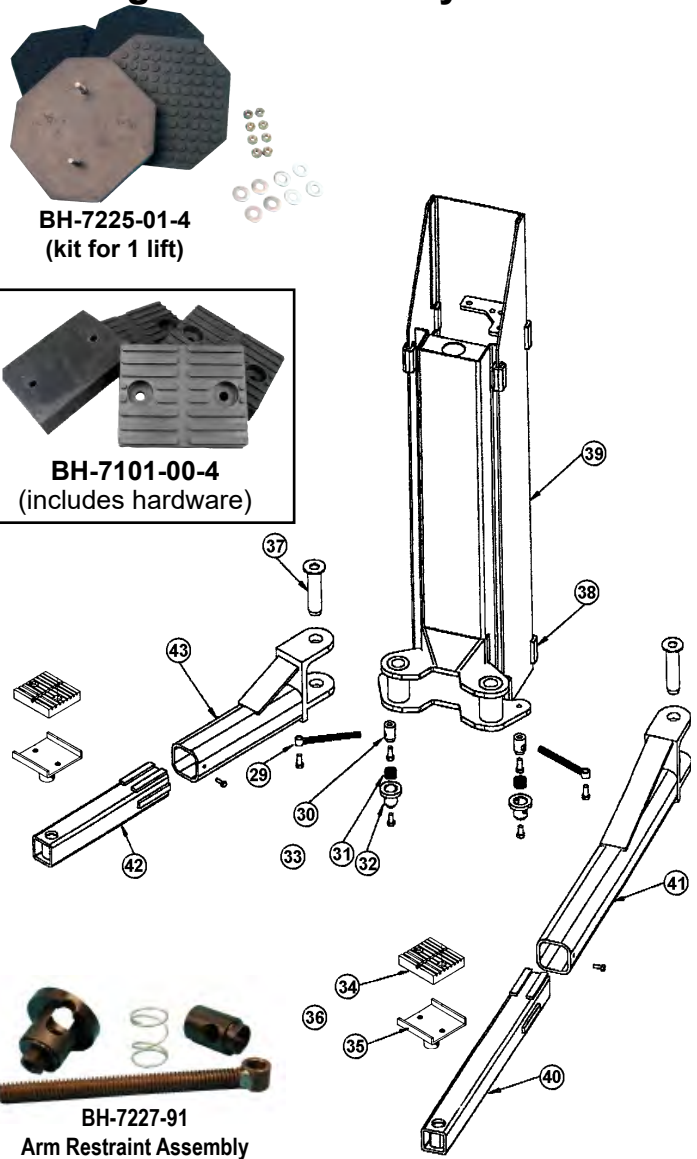
**Mercury Limit
Switch
21' Cord
BH-7229-37**
(Ref 36027)

For Models 70000, 71000 (9000 lb. capacity)

Hydraulic System



Carriage Arm Assembly



Item	SVI part #	OEM #	Req	Description
19	BH-7230-74	36048	2	9/16 O-Ring Union
20*	BH-7228-72	36115	2	Hydraulic Cylinder
21	BH-7230-75	38044	1	Union Elbow
22	BH-7230-76	70101	2	Overhead Hydraulic Line (70000)
	call for details	71042	2	Overhead Hydraulic Line (71000)
23	BH-7226-83	31032	1	Union Tee Parker
24	BH-7230-77	71038	1	Hyd. Line, Power Unit to Overhead
25	F-A3405-6-6	31089	1	90° Elbow
26	BH-7230-78	71041	2	Hyd. Line, Cyl. to Overhead
27	BH-7006-01		1	2HP 1PH 3.5 Gal. Power Unit
27	BH-7006-03		1	2HP 3PH 3.5 Gal. Power Unit
29	BH-7230-79	70078	4	7" Link Weldment
30	BH-7229-40	31108	4	Arm Restraint Insert
31	BH-7229-60	31109	4	Compression Spring

Item	SVI part #	OEM #	Req	Description
32	BH-7229-41	31107	4	Arm Restraint
33	BH-7227-91	70080	4	Arm Restraint Assembly
34	BH-7101-00		4	Rectangular Rubber Arm Pad
	BH-7225-01-4			Rubber Hex Arm Pad Kit (4)
35	BH-7101-01		4	Ammco Style Adapter
36	BH-7101-01C		4	Ammco Style Adapter w/Rect. Pad
37	BH-7227-90	70062	4	Arm Pin
38	BH-7225-23	31023	16	Slider UHMW with Metal Insert
	BH-7225-23OS	11036		Oversized Slider w/Metal Insert
39	BH-7227-84	70013	2	Carriage Weldment
40	BH-7227-97C	71011	2	Arm Inner Rear 9000 lb
41	BH-7227-99	71031	2	Arm outer Rear 9000 lb
42	BH-7227-97B	71010	2	Arm Inner Front 9000 lb
43	BH-7227-98	71028	2	Arm Outer Front 9000 lb
44	BH-7229-61	31047	1	Straight Union

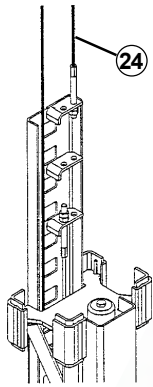


DIRECTFIT™

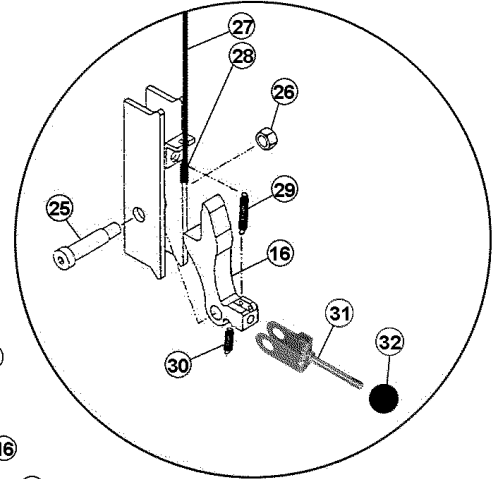
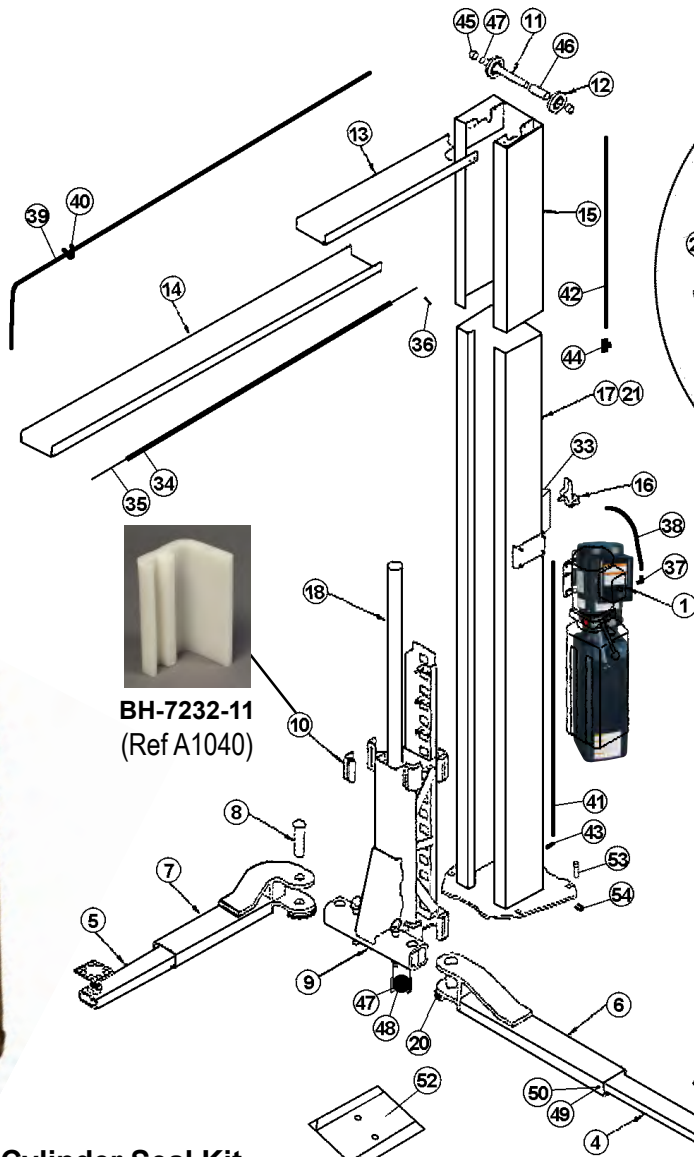
For Model CL9



**Cable Pulley
BH-7232-08**
(Ref A1041)



**Cylinder
BH-7232-18**
(Ref 16138)



BH-7232-11
(Ref A1040)



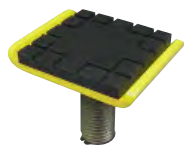
Rubber Pad Kit
(4 Pads with Hardware)
BH-7232-01-4
(Ref A11052, A1104)



**Cylinder Seal Kit
for Pacoma Cylinder**
BH-7226-62 (Ref 11014)
More seal kits listed on next page.



**Inner Restraint Gear
BH-7232-19A**
(Ref A1070)
Arm Restraint Kit Available



SVI Exclusive!
BH-7232-17HDA-P (Ref A1100)
**Heavy Duty Adapter Base
with Rubber Pad** Uses Pad BH-7232-01
Has increased plate thickness and additional welding process.
For CL9, CL10



Height Extensions

- 3" **BH-7231-96** (Ref A1105-03)
- 6" **BH-7232-00** (Ref A1105-06)
- 10" **BH-7231-99** (Ref A1105-10)
- 4"-6" Adj. **BH-7231-97** Adjustable
- 6"-9.5" Adj. **BH-7231-98** Adjustable

P
a
g
e
58



DIRECTFIT™

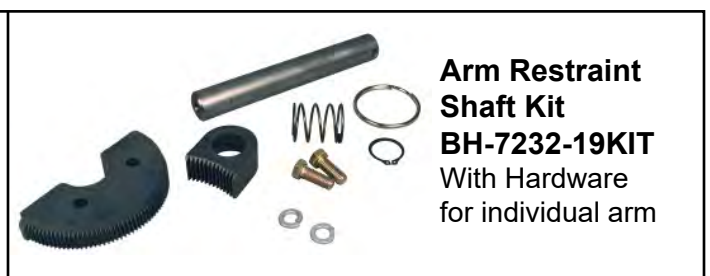
For Model CL9

Item	SVI part #	OEM #	Req	Description
1	BH-7006-01	31368-15	1	Power Unit, 2HP, 1PH, 3.5 Gal.
2	BH-7232-17HDA-P	SVI Exclusive	4	Screw Adapter Base & Pad
3	BH-7232-00	A1105-6	4	Slip On Height Extension 6"
	BH-7231-99	A1105-10	4	Slip On Height Extension 10"
	BH-7231-98		4	Adjustable Height Ext. 6" to 9-1/2"
	BH-7231-95			Height Ext. Hangers (holds 2)
4	BH-7232-16	A1094-R	2	Rear Male Arm Assembly
5	BH-7232-15	A1094-F	2	Front Male Arm Assembly
6	BH-7232-14	A1086	2	Rear Female Arm Assembly
7	BH-7232-13	A1086	2	Front Female Arm Assembly
8	BH-7232-12	A1078	4	Arm Pin Assembly
9	BH-7232-10	A1025	2	Carriage Assembly
10	BH-7232-11	A1040	16	Slide Block
11	BH-7232-09	A1062	2	Sheave Pin
12	BH-7232-08	A1041	6	Cable Pulley
13	BH-7232-07	A1061	1	Overhead Assembly - End Section
14	BH-7232-06	A1060	1	Overhead Assembly - Mid Section
15	BH-7232-05	A1055	2	Column Extension Assembly
16	BH-7232-04	A1042	2	Locking Pawl
17	BH-7232-02	A1010-P	1	Power Column Assembly
18	BH-7232-18	16138	1	Cylinder
--	BH-7226-62	11014		Seal Kit for Pacoma Cylinder
--	BH-7232-18SK			Seal Kit for SVI Cylinder
--	BH-7233-95	11400		Seal Kit for Cylinder with 1-1/2" OD Rod
--	BH-7232-18R-SK	16138R-SK		Seal Kit for Cylinder with 1-3/4" OD Rod
19	BH-7232-01	A1104	4	Rubber Pad
	BH-7232-01-4	A11052		Rubber Pad Kit (Set of 4)
	BH-7232-01HD	A1104x		Rubber Pad (1) Heavy Duty Style
	BH-7232-01HD-4	A11052x		Rubber Pad Kit Heavy Duty Style
20	BH-7232-19E	A1077		Arm Restraint Shaft Assy. Kit (without half-moon gear)
	BH-7232-19KIT			Arm Restraint Kit (includes BH-7232-19A, BH-7232-19E, and hardware. For 1 Arm)
	BH-7232-19	A1072	4	Outer Engage Gear
	BH-7232-19A	A1070	4	Inner Half Moon Gear
21	BH-7232-03	A1010-I	1	Idler Column Assembly
22	BH-7226-99	36035	1	Overhead Shutoff Bar Assembly
23	BH-7229-37	36027	1	Mercury Limit Switch
24	BH-7232-20	A1115	2	Equalizer Cable CL9
	BH-7232-20-K	A1003-0		Equalizer Cable Kit CL9-0
	BH-7232-20A	A1115-1	2	Equalizer Cable CL9-1
	BH-7232-20A-K	A1003-1		Equalizer Cable Kit CL9-1
	BH-7232-20B	A1115-2	2	Equalizer Cable CL9-2
	BH-7232-20B-K	A1003-2		Equalizer Cable Kit CL9-2
	BH-7232-20C	A1115-3	2	Equalizer Cable CL9-3

Item	SVI part #	OEM #	Req	Description
25	BH-7226-74	30020	2	Lock Pin Shoulder Bolt
26	BH-7234-421	37013	2	Lock Pin Retainer
27	BH-7232-38	A-1135-0	1	Lock Release Cable for CL9-0
27	BH-7232-39	A-1135-1	1	Lock Release Cable for CL9-1
27	BH-7232-40	A-1135-2	1	Lock Release Cable for CL9-2
28	BH-7229-57	37119	1	Clevis Pin Kit
29	BH-7232-50	A1131	2	Lock Spring
30	BH-7232-49	A1132	1	Cable Spring
31	BH-7232-46	A1141	1	Lock Release Clevis Assembly
32	BH-7503-45	36096	1	Ball Handle
33	BH-7232-44	A1133	2	Lock Cover
34	BH-7225-68	31129	1	Cushion, Shut-Off
35	Request Details	36074	1	Shutoff Bar
36	BH-7232-37	A1064	2	Pin for Shutoff Bar
37	BH-7233DX-1135	16167	1	90° Elbow
38	BH-7232-43	A1123-PU	1	22" Hyd. Hose to Power Unit
39	BH-7232-41	A1123-I	1	Hyd. Hose Idler Side 326"
40	BH-7234-394	A1122-12	7	Hose Clamp
41	BH-7232-42	A1123-P	1	Hyd. Hose Power Side 82"
42	Request Details	39101-024	1	Column Ext. Hose CL9-1 (24" Long)
42	Request Details	39101-028	1	Column Ext. Hose CL9-2 (45 Long)
43	Request Details	A1121	2	Straight Adapter 9/16" Male Oring to #6 Male Flare
44	Request Details	A1120	1	Bulkhead tee #6 Male 37° Flare
45	BH-7232-36	A1063-S	4	Short Sheave Spacer
46	BH-7232-34	A1063-L	2	Long Sheave Spacer
47	BH-7229-36	36013	10	Spacer Washer
48	F-RR-5100-1000	36014	6	Retaining Ring
49	BH-7233-02	31305	4	3/8" Self Tapping Bolt
50	BH-7233-01	31037	4	3/8" Lockwasher
51	BH-7070-K			PowerStation™ Air / Electric Utility Box - Black (Available in 3 Colors)
52	BH-9701		1	Single Wheel Spotter Dish 10-3/4" x 15" Wide
52	BH-9702		1	Dual Wheel Spotter Dish 20-1/8" x 15" Wide
53	BH-7075-03			Wedge Anchor Bolt
54	BH-7512-92			Shim Assortment 150 pcs (3 sizes)



Arm Restraint Shaft Kit BH-7232-19E (Ref A1077) With Hardware for individual arm



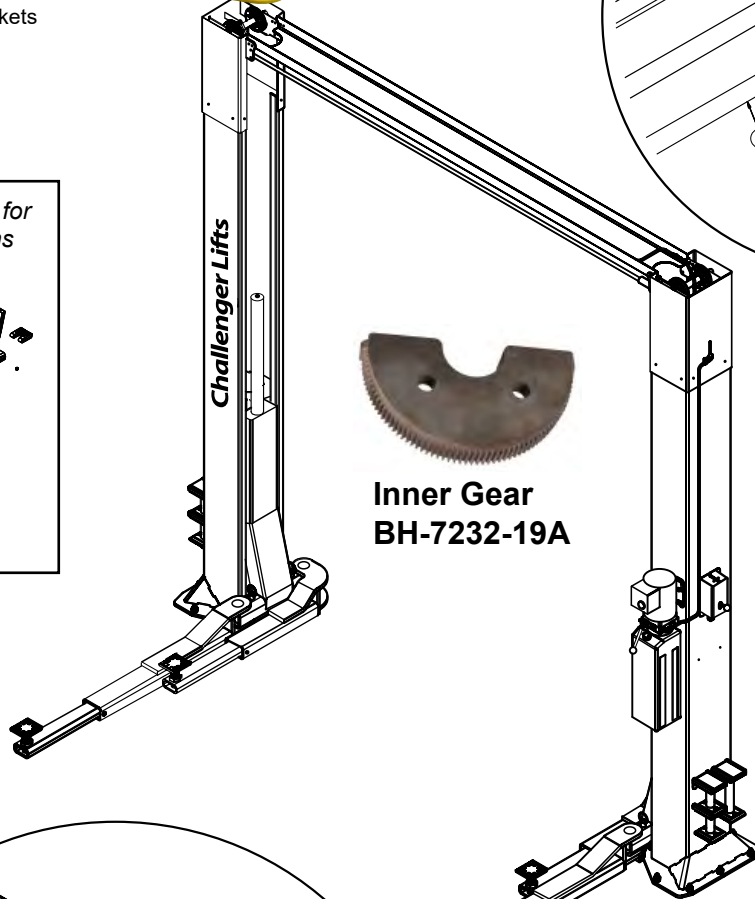
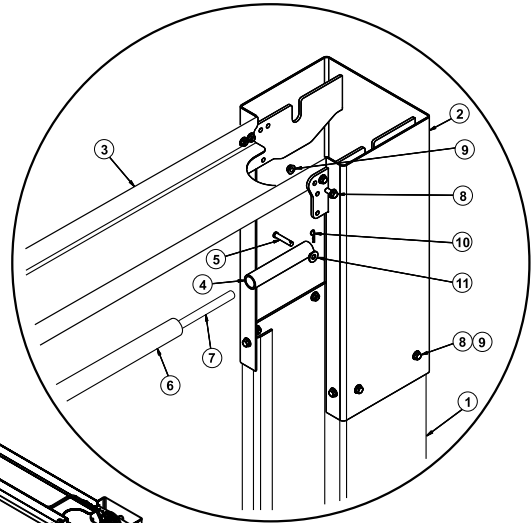
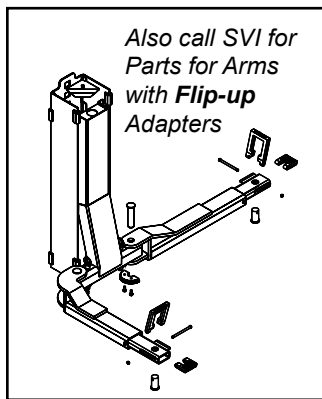
Arm Restraint Shaft Kit BH-7232-19KIT With Hardware for individual arm

For Model CL10

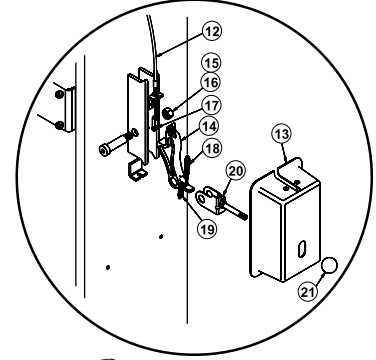
BH-7234-119 Nesting Height Extension Kit

for CL10, VS10
Pin Diameter: 2-3/8"
Pin Length: 1-1/2"

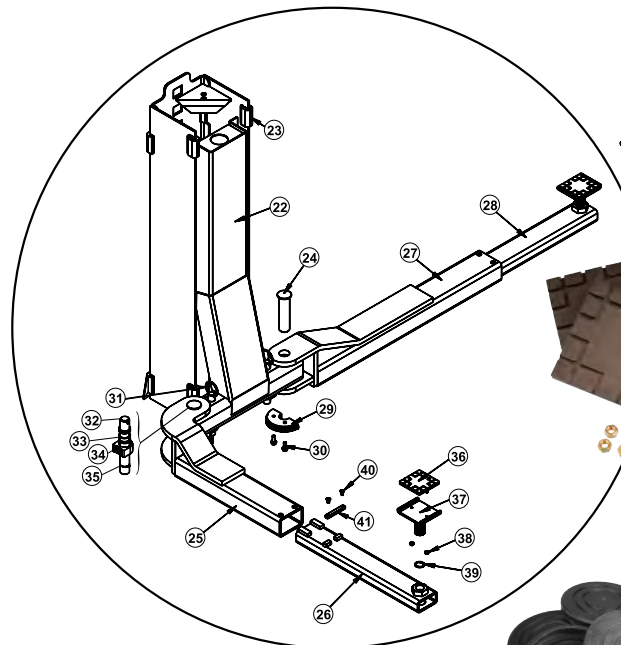
- Includes:** (4) 3" Extensions
(2) 6" Extensions
(2) Hanging Brackets



**Inner Gear
BH-7232-19A**



**Lock Pawl
BH-7232-45
(Ref A1140)**



**Rubber Pad Kit (1 lift)
BH-7232-01-4**



**Round Rubber Pad
BH-7232-93**



**Arm Restraint Shaft
Assembly Kit:
Order BH-7232-19E
Arm Restraint Kit
w/Hardware for
individual arm**

For Model CL10

Item	SVI part #	OEM #	Req	Description
1	call for details	A2010-P	1	Power Column Weld
	call for details	A2010-I	1	Idler Column Weld
2	call for details	A2055-0	2	Column Extension Weld - CL10
	call for details	A2055-2	2	Column Extension Weld - CL10-2
	call for details	A2055-3	2	Column Extension Weld - CL10-3
3	BH-7232-52	A2060	1	Overhead Channel
4	BH-7232-37	A1064	2	3/8 Dia x 1-7/8 Lg. Clevis Pin (Shutoff Bar)
5	BH-7229-37	36027	1	Overhead Limit Switch
6	BH-7225-68	31129	1	Pad
7	call for details	36074	1	Shutoff Bar
8	F-HFS-0375-16-0750	A1153	24	3/8-16NC Hex Flg. Hd. C.S. x 3/4" Lg.
9	F-HFLN-0375-16	A1154	24	3/8-16NC Hex Flg. Nut
10	call for details	40124	2	Hairpin Cotter Pin
11	call for details	31036	7	3/8" Flat Washer
12	BH-7232-68	A2135-0	1	Lock Release Cable Assembly - CL10
	BH-7232-69	A2135-2	1	Lock Release Cable Assembly - CL10-2
	BH-7232-66	A2135-3	1	Lock Release Cable Assembly - CL10-3
13	BH-7232-44	A1133	2	Lock Cover
14	BH-7232-45	A1140	2	Lock Pawl
15	BH-7226-74	30020	2	Lock Pin (5/8 x 1-1/2" Lg. Shoulder Bolt)
16	BH-7234-421	37013	2	Lock Pin Retainer (1/2-13NC Hex Lock Nut)
17	BH-7229-57	37119	1	Clevis Pin Kit
18	BH-7232-50	A1131	2	Lock Spring (3/8" O.D.)
19	BH-7232-49	A1132	1	Cable Spring (1/2" O.D.) - Idler Side Only
20	BH-7232-46	A1141	1	Lock Release Clevis Assembly - Power Side Only
21	BH-7227-06	36096	1	Ball Handle - Power Side Only
22	BH-7232-70	A2025	2	Carriage Weld (Line)
	call for details	B2026	2	Carriage Weld (Hose)
23	BH-7225-23	31023	16	Slide Block w/ Metal Insert
	BH-7225-23OS	11036		Oversized Slide Block w/Metal Insert
24	BH-7232-12	A1078	4	Arm Pin Weld

Item	SVI part #	OEM #	Req	Description
25	call for details	B2086-P	1	Front Female Arm Weld (Power)
	call for details	B2086-I	1	Front Female Arm Weld (Idler)
26	call for details	B1094-F	2	Male Arm Weld (Front)
27	call for details	B2091	2	Rear Female Arm Weld
28	call for details	B1094-R10	2	Male Arm Weld (Rear)
29	BH-7232-19A	A1070	4	Inner Gear
30	BH-7234-314	B1068	8	Arm Restraint Gear Hex Bolt
31	BH-7508-20	A1075	4	Pull Ring
32	BH-7232-19B	A1073	4	Shaft
33	BH-7229-60	31109	4	Compression Spring (Restraint Shaft)
34	BH-7232-19	A1072	4	Outer Gear
35	BH-7230-72	36014	4	1" Ext. Retaining Ring
36	BH-7232-01	B1104	4	Foot Pad Rubber Insert (Square)
	BH-7232-01-4	A11052		Foot Pad Rubber Insert (Sq) set of 4
	BH-7232-01U	A1104H	4	Urethane Snap-In Pad (1)
	BH-7232-01OHD			Rubber Pad Octagon Alternative to Urethane Snap-In Pad Heavy Duty
	BH-7232-01OHD-4 (Set of 4)		4	Rubber Pad Insert (Round)
37	See BH-7232-17	B1101	4	Screw Adapter Weld
--	BH-7232-17	A1100/B1100	4	Screw Adapter Assy
38	BH-7234-428	B31061	8	M6 Keps Nut
39	call for details	39111	4	Foot Pad Retainer Ring
40	BH-7232-97	B1081	8	M8x1.25x16 Flat Socket Head Screw
41	BH-7232-96	B1082	4	Arm Stop

Arm Assemblies:

BH-7232-60	A2090	2	Rear Arm Assy. (Items: 27, 28, 40, 41)
BH-7232-57	A2085-P	1	Front Arm Assembly (Power) (Items: 25, 26, 40, 41)
BH-7232-56	A2085-I	1	Front Arm Assembly (Idler) (Items: 25, 26, 40, 41)
BH-7232-17HDA-P	SVI Exclusive	4	Screw Adapter Base and Pad
BH-7232-19E	A1077	4	Arm Res. Shaft Assy. - One Arm (Items: 31-35)
BH-7232-19KIT		4	Arm Restraint KIT - One Arm (Includes BH-7232-19A, BH-7232-19E, and hardware)



12

Lock Release Cable Assembly

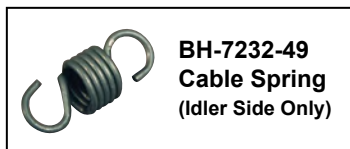
BH-7232-68 for CL10
BH-7232-69 for CL10-2
BH-7232-66 for CL10-3



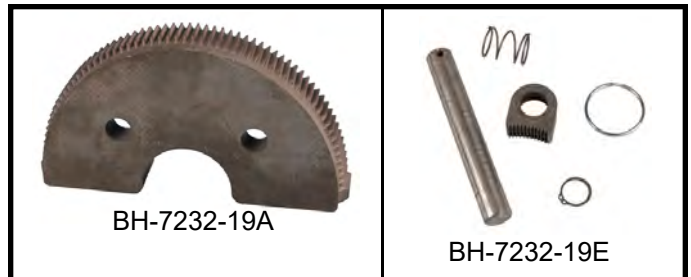
Rubber Pad Kit of 4 Pads
BH-7232-01-4



BH-7232-17HDA-P



BH-7232-49
Cable Spring (Idler Side Only)



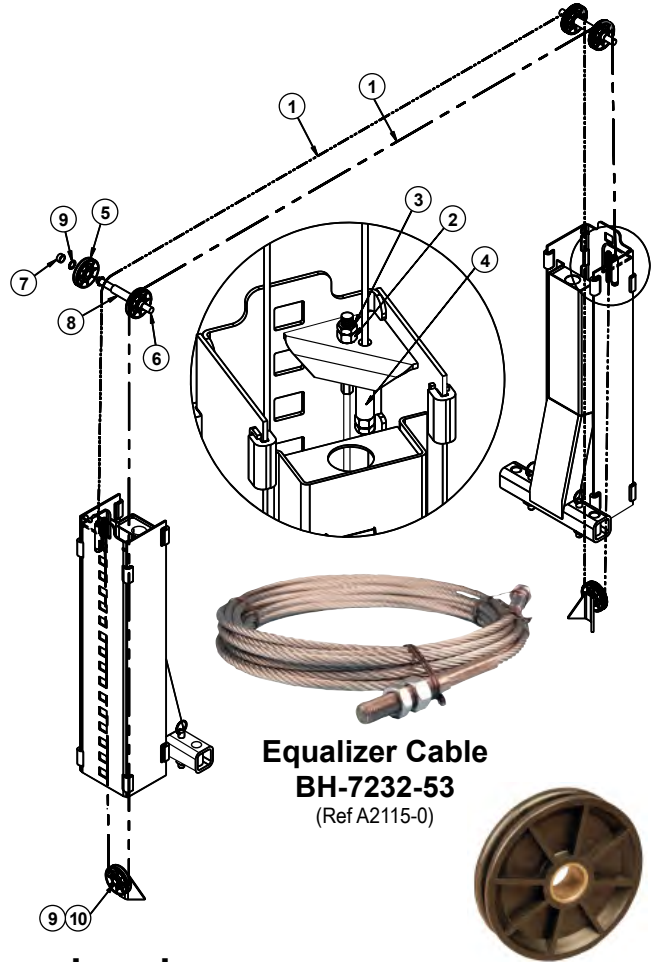
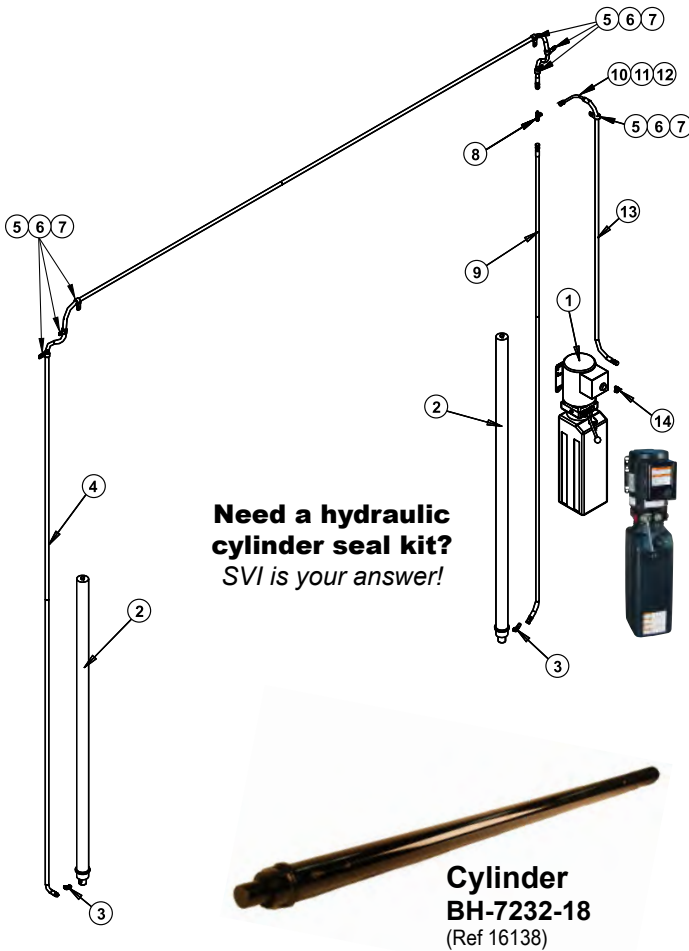
BH-7232-19A

BH-7232-19E

Arm Restraint Kit • Order: BH-7232-19KIT



For Model CL10



Hydraulics

Item	SVI part #	OEM #	Req	Description
1	Power Units Available and In-Stock at SVI—Call to order 800-321-8173 call for details			
	A1201-17	1	1	Power Unit 1PH, 60 Hz, 208-230V
	A1203-17	1	1	Power Unit 3PH, 60 Hz, 208-230/460 V
2	BH-7232-18	16138	2	Cylinder (68" Stroke x 2" Bore)
3	call for details	A2128	2	45° Elbow
4	BH-7232-63	A2127-I	1	Idler Hose
5	BH-7234-394	A1122-12	7	3/8" Hose Clamp
6	F-HFS-0375-16-0750	A1153	5	3/8-16 x 3/4 Hex Flange Head Bolt
7	F-HFLN-0375-16	A1154	5	3/8-16 Hex Flange Nut
8	BH-7234-608	39103	1	37° Union Tee
9	BH-7232-64	A2127-P	1	Power Hose
10	BH-7226-81	31025	1	3/8" Line Clamp
11	call for details	A2125	1	1/4-20 x 3/4 Hex Flange Head Bolt
12	F-HFLN-0250-20	40085	1	1/4-20 Hex Flange Nut
13	BH-7232-65	A2127-PU	1	Power Unit Hose w/ 2 Straight Fittings
--	BH-7232-65-90	A2127-PUx	1	Power Unit Hose with 90° Fitting
14	BH-7234-504	16167	1	9/16-18 Straight Thread Elbow

Synchronizer

Item	SVI part #	OEM #	Req	Description
1	BH-7232-53	A2115-0	2	Equalizer Cable - CL10
	BH-7232-54	A2115-2	2	Equalizer Cable - CL10-2
	BH-7232-55	A2115-3	2	Equalizer Cable - CL10-3
2	F-HN-0625-11	A2116	4	5/8-11NC Hex Nut
3	F-JN-0625-11	A2117	4	5/8-11NC Hex Jam Nut
4	BH-7232-62	A2118	2	Cable Spacer (4-1/2" Long)
5	BH-7229-34	36025	6	Sheave Assembly (5" Dia. x 5/16" Groove)
6	BH-7229-81	36024	2	Sheave Pin
7	BH-7232-36	A1063-S	4	Short Sheave Spacer (Line)
	call for details	A2063-S	4	Short Sheave Spacer (Hose)
8	BH-7232-35	A1063-L10	2	Long Sheave Spacer (Line)
	BH-7232-34	A2063-L	2	Long Sheave Spacer (Hose)
9	BH-7229-36	36013	10	1" I.D. Spacer Washer
10	BH-7230-72	36014	2	1" Ext. Retaining Ring

P
a
g
e

62



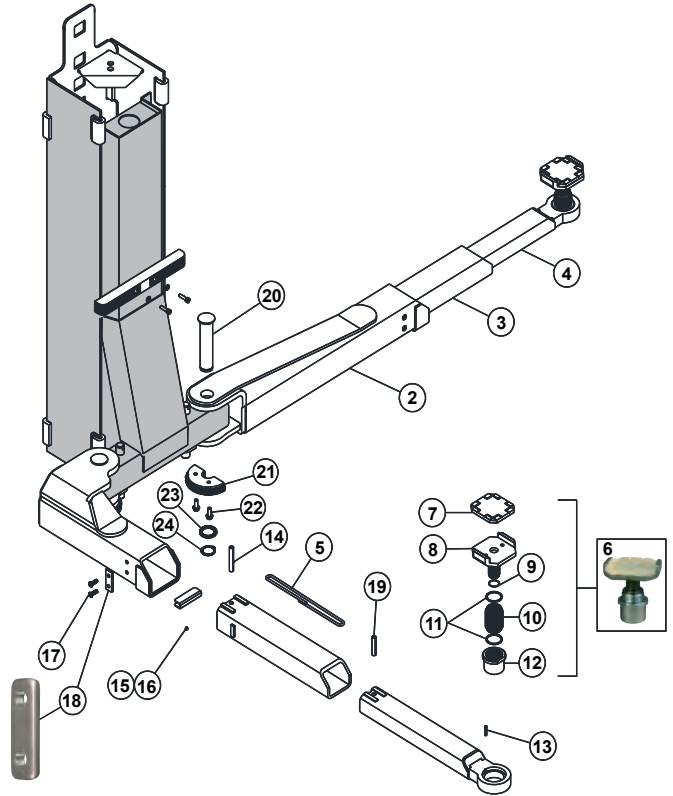
Power Unit Hose with 2 Straight Fittings BH-7232-65
(Ref A2127-PU)



Power Unit Hose with (1) 90° Fitting and (1) Straight Fitting BH-7232-65-90
(Ref A2127-PUx)

For Model CL10 V3 - Rear Arm Assembly

Item	SVI Part #	OEM #	Req	Description
1	BH-7234-300	B2204SD		Rear Arm Assy for 3 Stage CL10 (Items 2-24)
2	BH-7234-300A	B2202B		Rear Outer Arm CL10 3-Stage
3	BH-7234-300B	B2230C		Rear Middle Arm CL10 3-Stage
4	BH-7234-300C	B2235C		Rear Inner Arm CL10 3-Stage
5	BH-7234-301	CS1020-05		Arm Stop Loop
6	BH-7232-01UPB	B2270		Urethane Pad Adapter Base
7	BH-7232-01U	A1104-H		Urethane Snap-In Pad
8	BH-7234-302	A1101-1H		Pad Adapter Weldment
9	BH-7234-303	B17256		Round Wire Retaining Ring
10	BH-7234-304	B2261		Threaded Insert for Adapter
11	BH-7234-305	B17257		Round Wire Retaining Ring
12	BH-7234-306	B17256-1		Threaded Adapter Base Insert
13	BH-7234-307	B2211		Roll Pin 30mm long
14	BH-7234-308	B2202-2		Roll Pin 60mm long
15	BH-7234-309	CS1020-03-01		Rear Inner Arm Shim CL10 3-Stage
16	BH-7234-310	CS1020-03-02		Self Locking Set Screw
17	BH-7234-311	17350		Arm Stop Bolt
18	BH-7234-312	CS1020-04		Arm Stop Block
19	BH-7234-313	B2201-01		Roll Pin 60mm long
20	BH-7232-12	B1078		Arm Pin
21	BH-7232-19A-N	A1070TC		Arm Restraint Inner Gear
22	BH-7234-314	B1068		Arm Restraint Gear Hex Bolt
23	BH-7234-315	B2203S-01D		Washer 39mm x 51mm
24	BH-7234-316	B1083		Retaining Ring



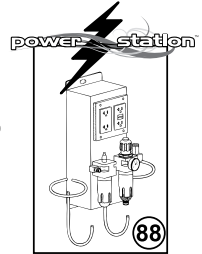
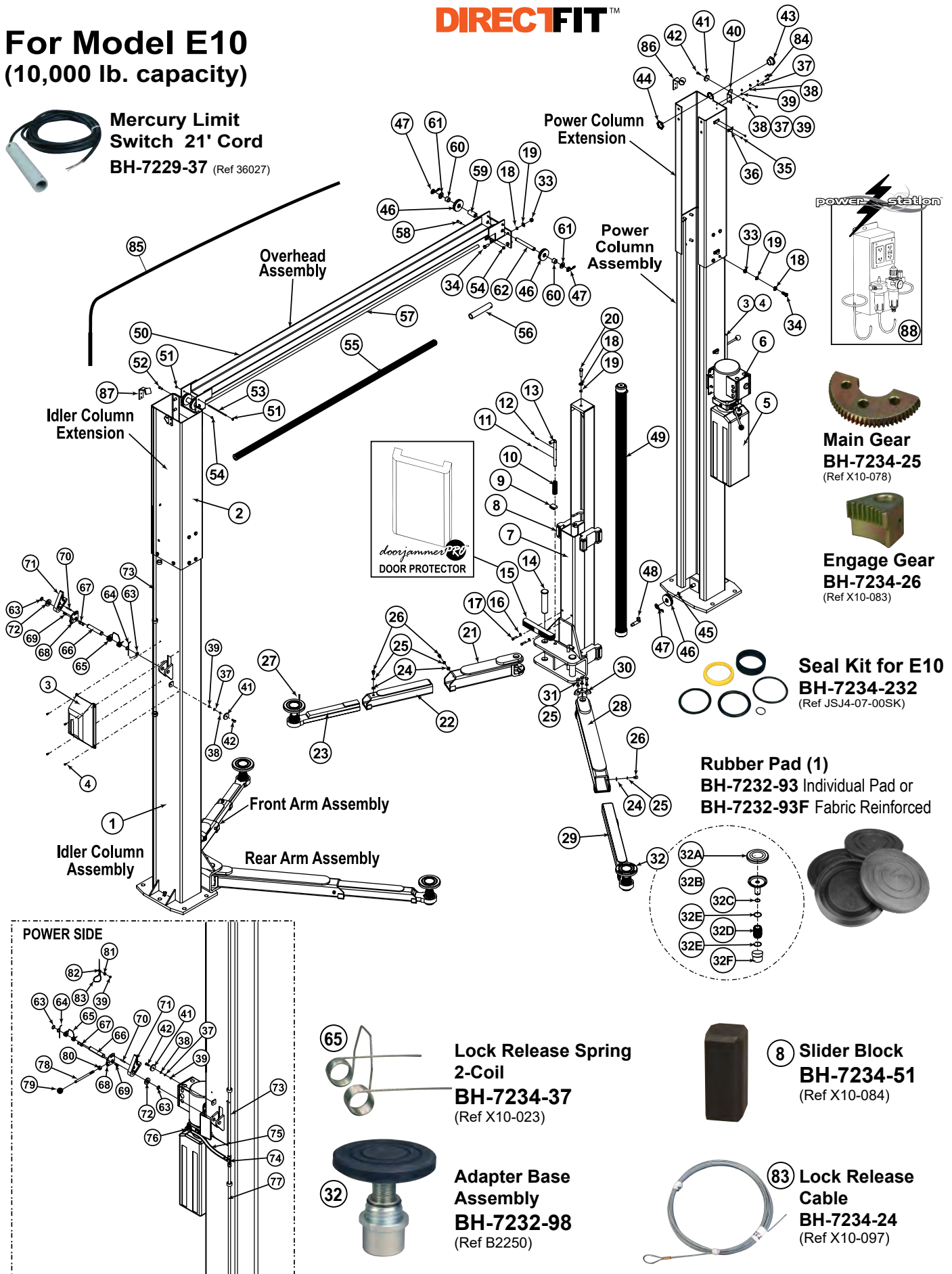


DIRECTFIT™

**For Model E10
(10,000 lb. capacity)**



**Mercury Limit
Switch 21' Cord
BH-7229-37** (Ref 36027)



**Main Gear
BH-7234-25**
(Ref X10-078)

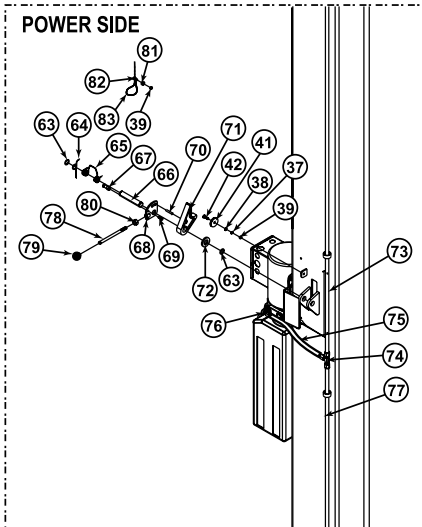
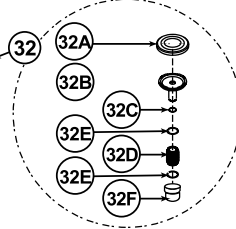


**Engage Gear
BH-7234-26**
(Ref X10-083)



**Seal Kit for E10
BH-7234-232**
(Ref JSJ4-07-00SK)

**Rubber Pad (1)
BH-7232-93 Individual Pad or
BH-7232-93F Fabric Reinforced**



**Lock Release Spring
2-Coil
BH-7234-37**
(Ref X10-023)



**Slider Block
BH-7234-51**
(Ref X10-084)



**Adapter Base
Assembly
BH-7232-98**
(Ref B2250)



**Lock Release
Cable
BH-7234-24**
(Ref X10-097)



For Model E10 (10,000 lb. capacity)

Item	SVI part #	OEM #	Req	Description
1	BH-7234-463	JSJ5-02-01-00CH	1	Power Column
	BH-7234-464	JSJ5-02-01-00FCH	1	Idler Column
2	BH-7234-465	JSJ5-02-02-00CH	1	Power Extension
	BH-7234-466	JSJ5-02-02-00FCH	1	Idler Extension
3	BH-7234-31	X10-013	1	Power Lock Cover
	BH-7234-32	X10-014	1	Idler Lock Cover
4	BH-7233-211	X10-065	8	Screw M5 x 10
5	BH-7006A-21	31368-21	1	Power Unit
6	call for details	X10-048	4	Nut M8
7	call for details	X10-085	2	Carriage
8	BH-7234-51	X10-084	16	Slide Block
9	BH-7234-26	X10-083	4	Outer Gear
10	BH-7234-27	X10-082	4	Arm Restraint Spring
11	BH-7234-30	X10-081	4	Spring Pin 4 x 30
12	BH-7234-29	X10-080	4	Spring Pin 4 x 24
13	BH-7234-28	X10-079	4	Arm Restraint Pin
14	BH-7234-47	X10-076	4	Arm Pin
15	call for details	X10-086	2	Door Guard
	BH-7077-02-2S	12" Tall - PAIR		doorjammerPRO Door Protector
	BH-7077-02-2	24" Tall - PAIR		doorjammerPRO Door Protector
16	BH-7234-436	X10-087	4	Washer 8mm
17	BH-7234-437	X10-088	4	Bolt M8 x 30
18	BH-7233-215	X10-038	28	Washer 12mm
19	BH-7233-216	X10-039	28	Spring Washer 12mm
20	BH-7234-441	X10-092	2	Bolt M12 x 45
21	BH-7234-440	JSJ5B-10-01-00	2	Front Female Arm
22	BH-7234-439	JSJ5B-10-02-00	2	Front Intermediate Arm
23	BH-7234-438	JSJ5B-10-03-00CH2	2	Front Male Arm
24	BH-7234-447	X10-073	6	Washer 10mm
25	call for details	X10-074	18	Spring Washer 10mm
26	BH-7234-449	X10-075	6	Screw M10
27	BH-7234-307	B2211	4	Roll Pin Ø6x30
28	BH-7234-446	JSJ5B-09-01-00B	2	Rear Female Arm
29	BH-7234-445	JSJ5B-09-02-00CH2	2	Rear Male Arm
30	BH-7234-25	X10-078	4	Inner Gear
31	BH-7233-212	X10-077	12	Screw M10 x 25
32	BH-7232-98	B2250	4	Foot Pad Assembly
	BH-7232-98GMT	B2280PR 2.38" Nut		Specialty Adapter Base & Pad (2) for 2019+ Chevy / GMC Trucks
32A	BH-7232-93	B2208	4	Rubber Pad Insert
	BH-7232-93F	B2208-x	4	Rubber Pad Insert- Fabric Reinforced
	BH-7232-01U	A1104H	4	Snap-In Urethane Pad (for some models)
	BH-7232-01OHD		4	Rubber Pad Octagon HD (Alternative to Urethane Pad)
32B	call for details	B2205	4	Foot Pad Weldment
32C	BH-7234-303	B17256	4	2 x 30 Retaining Ring
32D	BH-7234-304	B17254	4	Threaded Sleeve
32E	BH-7234-305		8	Round Wire Retaining Ring
32F	BH-7234-443	B17276-1	4	Threaded Insert
33	BH-7233-217	X10-040	28	Nut M12
34	BH-7234-467	X10-037	28	Bolt M12 x 30
35	BH-7234-453	X10-049	10	Bolt M5 x 8
36	BH-7234-57	X10-050	5	Plate-Shutoff Cord Clamp
37	BH-7233-238	X10-033	8	Spring Washer 6mm
38	BH-7233-237	X10-032	8	Washer 6mm

Item	SVI part #	OEM #	Req	Description
39	BH-7233-239	X10-034	9	Nut M6
40	BH-7234-16	X10-064L	1	LH Pulley Bracket
40	BH-7234-17	X10-064R	1	RH Pulley Bracket
41	BH-7234-24A	X10-031	4	Pulley
42	BH-7234-24B	X10-030	4	Pulley Axle
43	BH-7234-56	X10-052	2	Hose Guide
44	call for details	X10-053	2	Hose Guide Nut
45	BH-7234-423	X10-099	4	Washer 20mm
46	BH-7234-40	X10-057	6	Synch. Sheave
47	BH-7234-422	X10-054	6	Hair Pin Cotter
48	BH-7234-234	X10-046	2	Long Elbow
49	BH-7234-230	JSJ5-07-00CH	2	Cylinder
	BH-7234-231	JSJ5-07-00CHA	2	Cylinder
50	call for details	JSJ5-03-01-00Q	1	Overhead Weld
51	BH-7234-428	B31061	4	M6 Lock Nut
52	BH-7234-451	X10-063	1	Bolt M8
53	BH-7234-429	JSJ5-03-07CH	2	Cable Trapping Rod
54	BH-7234-433	X10-096	2	Lock Nut M10
55	BH-7234-58F	X10-061	1	Shutoff Bar Cushion
56	BH-7229-37	36027	1	Limit Switch
57	BH-7234-450	JSJ5-03-02CH	1	Shutoff Bar
58	BH-7234-452	X10-060	2	Bolt M8 x 25
59	BH-7234-43	X10-059	2	Middle Spacer Sleeve
60	BH-7234-42	X10-056	4	Spacer Sleeve
61	BH-7234-218	X10-055	4	Washer
62	BH-7234-41	X10-058	2	Axle
63	BH-7234-462	X10-020	4	Retaining Ring
64	BH-7234-36	X10-022	2	Lock Release Spring 1 Coil
65	BH-7234-37	X10-023	2	Lock Release Spring 2 Coil
66	BH-7234-38	X10-024	2	Lock Release Shaft
67	BH-7234-39	X10-021	2	Lock Release Wire Pin
68	BH-7234-18	X10-025	2	Lock Release Cam
69	BH-7234-459	X10-026	2	Bolt M6
70	BH-7234-460	X10-027	2	Spring Pin 6x 35
71	BH-7234-35	X10-028	2	Lock Pawl
72	BH-7234-458	X10-029	2	Washer
73	BH-7234-54	X10-041	1	Idler Column Hose
74	call for details	X10-042	1	Union Tee
75	BH-7233-84	JSJ5-17CH	1	Power Unit Hose
76	call for details	X10-044	1	O-Ring Elbow
77	BH-7234-236	JSJ4-16	1	Power Column Hose
78	BH-7234-34	X10-018	1	Lock Release Stud
79	BH-7234-33	X10-017	1	Lock Release Knob
80	BH-7234-461	X10-019	1	Nut M10
81	call for details	X10-036	1	Sleeve
82	BH-7233-240	X10-035	1	Bolt (Cable Clamp)
83	BH-7234-24	JSJ5-06CH	1	Lock Release Cable
84	BH-7234-455	X10-051	4	Bolt M6 x 20
85	BH-7234-412	JSJ5-04-00CH		Equalizer Cable 389"
--	BH-7234-412F	JSJ5-04-00CH		Equalizer Cable 391"
--	BH-7234-412H	JSJ5-04-00CHH		Equalizer Cable 437-1/2"
86				Arm Restraint Kit for E10
88	BH-7070-K			PowerStation Air / Electric Utility Station (Black)



DIRECTFIT™

For Model SA10

(10,000 lb. capacity) • *Note: This lift may be Symmetric or Asymmetric*

SVI Part #	OEM #	Description
BH-7232-01UPB	B2270	Urethane Pad Adapter Base
BH-7232-01U	A1104-H	Urethane Arm Pad (1)
BH-7232-01OHD-4	A1104Hx	Rubber Arm Pad Kit (Alternative)
BH-7232-18R	16138R	Cylinder
BH-7232-18R-SK	16138R-SK	Seal Kit for 16138R Cylinder
BH-7233-229	3W-04-17	Arm Restraint Main Gear
BH-7233-96	3W-04-18	Stop Block
BH-7233-230	3W-02-14	Arm Restraint Shaft SA10
BH-7233-231	3W-02-15	Arm Restraint Spring SA10
BH-7233-228	3W-02-13	Arm Restraint Engage Gear SA10
BH-7233-502	3W-06-08A	Lift Cable for Model SA10
BH-7233-246	3W-02-19	Clamp Ring
BH-7233-245	3W-06-11A	Lock Release Cable SA10

Call for a breakdown



**Lock Release Cable
for Challenger SA10
BH-7233-245 (Ref 3W-06-11A)**

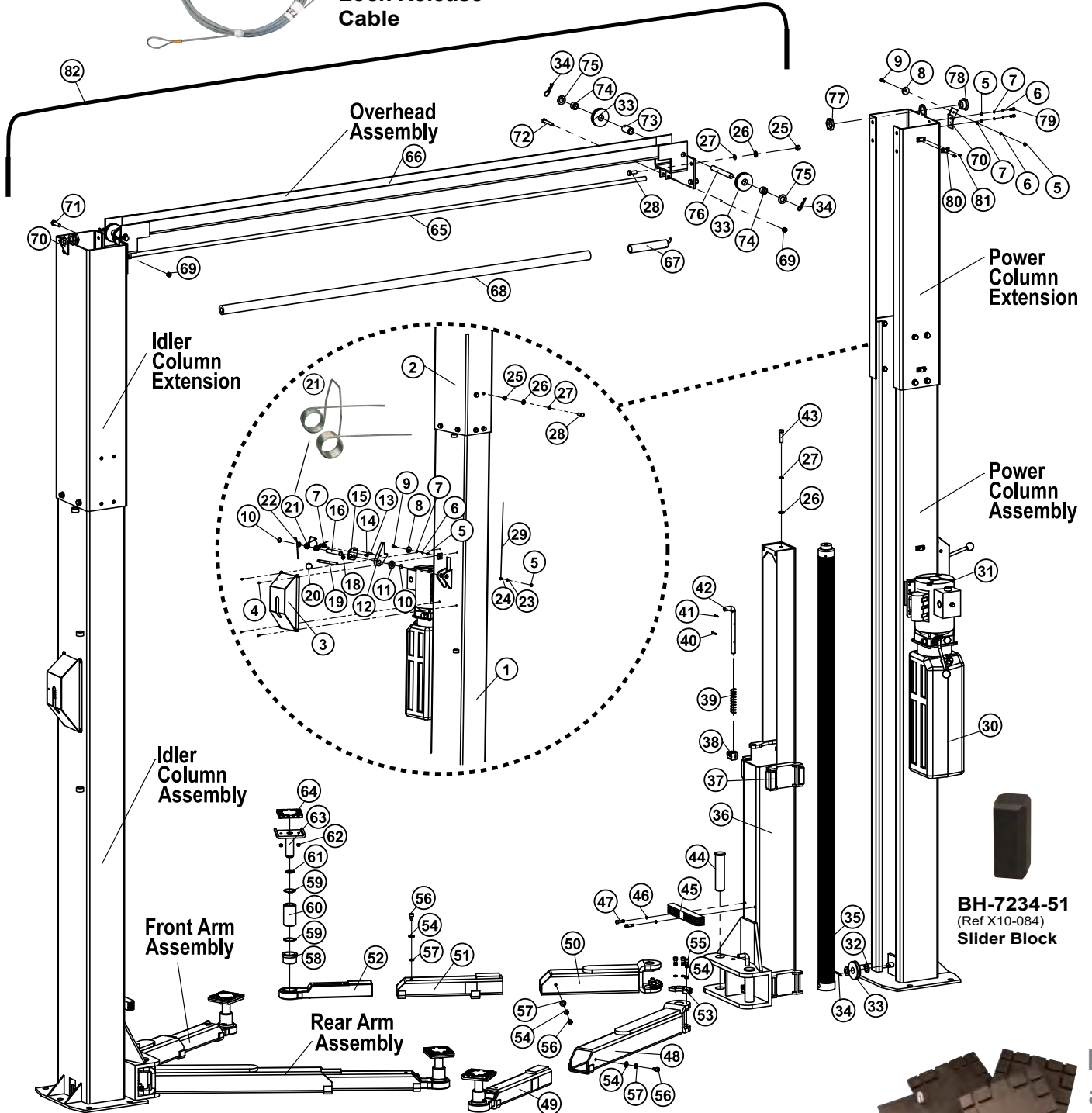


DIRECTFIT™

For Model X10 (10,000 lb. capacity)



BH-7234-24
(Ref X10-097)
Lock Release Cable



Main Gear
BH-7234-25
(Ref X10-078)

BH-7232-01-4
Rubber Arm Pad Kit
(Set of 4)





DIRECTFIT™

For Model X10 (10,000 lb. capacity)

Item	SVI part #	OEM #	Req	Description
1	call for details	X10-015	1	Power Column Weld
	call for details	X10-016	1	Idler Column Weld
2	call for details	X10-007	1	Power Extension Weld
	call for details	X10-008	1	Idler Extension Weld
3	BH-7234-31	X10-013	1	Power Lock Cover
	BH-7234-32	X10-014	1	Idler Lock Cover
4	BH-7233-211	X10-065	8	Screw M5 x 10
5	BH-7233-239	X10-034	9	Nut M6
6	BH-7233-238	X10-033	8	Spring Washer 6mm
7	BH-7233-237	X10-032	8	Washer 6mm
8	BH-7234-24A	X10-031	4	Pulley
9	BH-7234-24B	X10-030	4	Pulley Axle
10	BH-7234-462	X10-020	4	Retaining Ring
11	BH-7234-458	X10-029	2	Washer
12	BH-7234-35	X10-028	2	Lock Pawl
13	BH-7234-460	X10-027	2	Spring Pin 6 x 35
14	BH-7234-459	X10-026	2	Bolt M6
15	BH-7234-18	X10-025	2	Lock Release Cam
16	BH-7234-38	X10-024	2	Lock Release Shaft
17	BH-7234-39	X10-021	2	Lock Release Wire Pin
18	BH-7234-461	X10-019	1	Nut M10
19	BH-7234-34	X10-018	1	Lock Release Stud
20	BH-7234-33	X10-017	1	Lock Release Knob
21	BH-7234-37	X10-023	2	Lock Release Spring 2 coil
22	BH-7234-36	X10-022	2	Lock Release Spring 1 coil
23	call for details	X10-036	1	Sleeve
24	BH-7233-240	X10-035	1	Bolt (Cable Clamp)
25	BH-7233-217	X10-040	28	Nut M12
26	BH-7233-216	X10-039	28	Spring Washer 12mm
27	BH-7233-215	X10-038	28	Washer 12mm
28	BH-7234-467	X10-037	28	Bolt M12 x 30
29	BH-7234-24	X10-097	1	Lock Release Cable
30	BH-7006A-21	31368-21	1	Power Unit
31	call for details	X10-048	4	Nut M8
32	BH-7234-423	X10-099	4	Washer 20mm
33	BH-7234-40	X10-057	6	Synch. Sheave
34	BH-7234-422	X10-054	6	Hair Pin Cotter
35	BH-7234-52	X10-047	2	Cylinder
36	call for details	X10-085	2	Carriage
37	BH-7234-51	X10-084	16	Slide Block
38	BH-7234-26	X10-083	4	Outer Gear
39	BH-7234-27	X10-082	4	Arm Restraint Spring
40	BH-7234-30	X10-081	4	Spring Pin 4 x 30
41	BH-7234-29	X10-080	4	Spring Pin 4 x 24
42	BH-7234-28	X10-079	4	Arm Restraint Pin
43	BH-7234-441	X10-092	2	Bolt M12 x 45
44	BH-7234-47	X10-076	4	Arm Pin

Item	SVI part #	OEM #	Req	Description
45	call for details	X10-086	2	Door Guard
45	BH-7077-02-2S			DoorJammerPRO 12" - Pair
46	BH-7234-436	X10-087	4	Washer 8mm
47	BH-7234-437	X10-088	4	Bolt M8x 30
48	BH-7234-45	X10-072	2	Rear Female Arm
49	BH-7234-46	X10-071	2	Rear Male Arm
50	BH-7234-50	X10-091	2	Front Female Arm
51	BH-7234-49	X10-090	2	Front Intermediate Arm
52	BH-7234-48	X10-089	2	Front Male Arm
53	BH-7234-25	X10-078	4	Inner Gear
54	call for details	X10-074	18	Spring Washer 10mm
55	BH-7233-212	X10-077	12	Screw M10 x 25
56	BH-7234-449	X10-075	6	Screw M10
57	BH-7234-447	X10-073	6	Washer 10mm
58	BH-7234-44	X10-070	4	Sleeve
59	call for details	X10-068	8	Snap Ring 45mm
60	BH-7234-22	X10-069	4	Threaded Insert
61	call for details	X10-067	4	Snap Ring 30mm
62	call for details	X10-048	8	Nut M8
63	BH-7234-20	X10-066	4	Screw Pad
64	BH-7232-01	B1104	4	Rubber Pad
	BH-7232-01-4			Rubber Pad Kit (4)
65	BH-7234-58	X10-062	1	Shut Off Bar
66	BH-7234-60	X10-093	1	Overhead Weld
67	BH-7229-37	36027	1	Limit Switch
68	BH-7234-58F	X10-061	1	Shut Off Bar Cushion
69	BH-7234-433	X10-096	2	Lock Nut M10
70	BH-7234-16	X10-064	1L	Pulley Bracket (Left)
	BH-7234-17	X10-064	1R	Pulley Bracket (Right)
71	BH-7234-451	X10-063	1	Bolt M8
72	BH-7234-452	X10-060	2	Bolt M8 x 25
73	BH-7234-43	X10-059	2	Middle Spacer Sleeve
74	BH-7234-42	X10-056	4	Spacer Sleeve
75	call for details	X10-055	4	Washer
76	BH-7234-41	X10-058	2	Axle
77	call for details	X10-053	2	Hose Guide Nut
78	BH-7234-56	X10-052	2	Hose Guide
79	BH-7234-455	X10-051	4	Bolt M6 x 20
80	BH-7234-57	X10-050	5	Plate-Shutoff Cord Clamp
81	BH-7234-453	X10-049	10	Bolt M5 x 8
82	BH-7234-23	X10-094	2	Synchronizing Cable
Following not shown:				
83	BH-7234-432	X10-095	6	Nut M16
84	BH-7234-54	X10-041	1	Idler Column Hose
85	call for details	X10-042	1	Union Tee
86	BH-7234-55	X10-043	1	Power Unit Hose
87	call for details	X10-044	1	O-Ring Elbow
88	BH-7234-53	X10-045	1	Power Column Hose
89	BH-7234-234	X10-046	2	Long Elbow
90	BH-7070-K		1	Power Station Air/Electric Box

Lock Release Spring

BH-7234-36
(Ref X10-022)

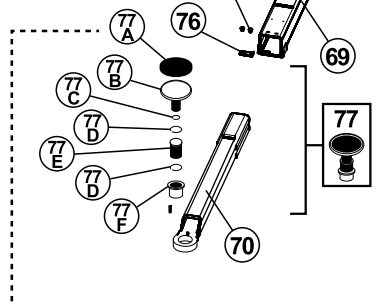
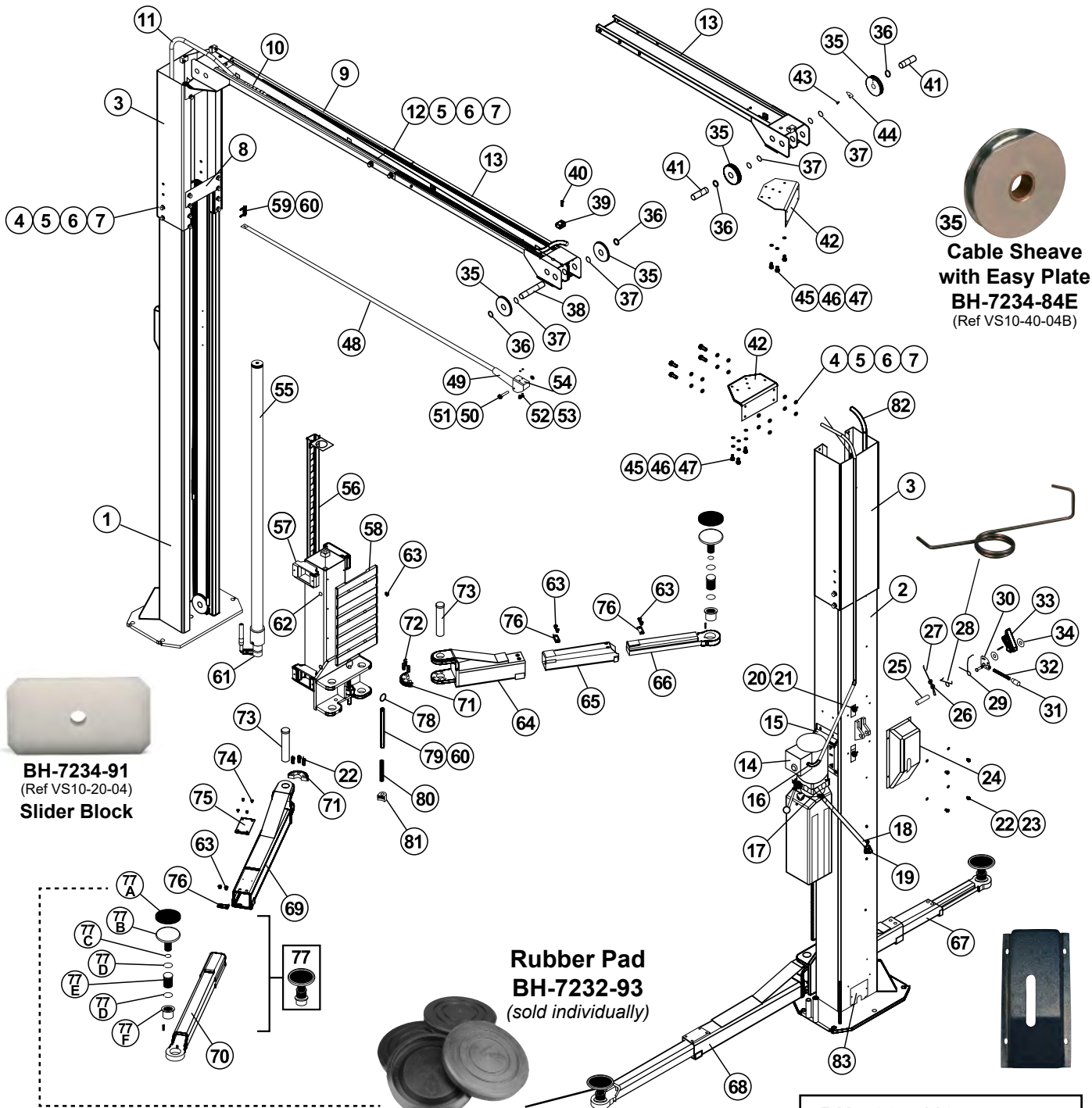


Mercury Limit Switch - 21' Cord

BH-7229-37 (Ref 36027)



**For Model VS10
(10,000 lb. capacity)**





DIRECTFIT™

For Model VS10 (10,000 lb. capacity)

Item	SVI part #	OEM #	Req	Description
1	call for details	VS10-11-00	1	Idler Column Weld
2	call for details	VS10-1001-00	1	Power Column Weld
3	call for details	VS10-13-01	2	Column Extension Weld
4	call for details	VS10-40-13	32	M12 x 35 HHCS
5	call for details	VS10-039	36	12mm Lock Washer
6	call for details	VS10-038	68	12mm Flat Washer
7	call for details	VS10-040	36	M12 Hex Nut
8	call for details	VS10-15	2	Support Strap
9	BH-7234-76	VS10-40-02-00	1	Idler Side (Outer) Overhead Weld
10	call for details	VS10-50-07	1	Hydraulic Union
11	BH-7234-118	VS10-50-08	1	Idler Side Hydraulic Hose
12	call for details	VS10-40-17	1	M12 x 25 HHCS
13	BH-7234-77	VS10-40-01-00	1	Power Side (Inner) Overhead Weld
14	Power Units Available and In-Stock at SVI—Call to order 800-321-8173			
	call for details	31368-19	1	Power Unit
15	call for details	VS10-10-02-00	1	Power Unit Bracket
16	BH-7228-64	31060	1	1/2" Romex Connector
17	call for details	VS10-50-10	1	Hydraulic Elbow (Power Unit)
18	BH-7234-98	VS10-50-05	1	Power Unit Hydraulic Hose
19	call for details	VS10-50-06	1	Hydraulic Tee
20	BH-7234-73	VS10-10-04	1	Lock Release Pulley
21	call for details	VS10-10-27	1	9mm Snap Ring
22	call for details	VS10-10-25	1	M8 Phillips Pan Head Screw
23	call for details	VS10-10-26	1	8mm Flat Washer
24	BH-7234-69	VS10-10-07B	1	Lock Cover (Power Side)
	BH-7234-126	VS10-11-02	1	Lock Cover (Idler Side)
25	BH-7234-74	VS10-10-11	2	Lock Shaft
26	call for details	VS10-10-1300	1	Cable Clamp
27	BH-7234-79	VS10-10-21	1	Lock Release Cable
28	BH-7234-89	VS10-10-16	2	Lock Spring (Cam)
29	BH-7234-75	VS10-10-15	2	Lock Spring (Pawl)
30	BH-7234-71	VS10-10-0300	1	Lock Release Cam (Power Side)
31	BH-7234-78	VS10-10-22	1	Lock Release Knob
32	BH-7234-70	VS10-10-10	1	Lock Release Stud
33	call for details	VS10-10-05	2	Lock Pawl
	BH-7234-96	VS10-10-17	2	Lock Pawl Pad
	BH-7234-460	X10-027	1	6mm x 40mm Roll Pin
34	call for details	VS10-10-23	4	Spacer
35	BH-7234-84E	VS10-40-04-B	6	Cable Sheave with Easy Plate
36	BH-7234-85	VS10-40-05	2	Sheave Spacer, Power Side (8mm)
	BH-7234-86	VS10-40-09	2	Sheave Spacer, Idler Side (12mm)
37	BH-7234-106	VS10-35-06	8/12	25mm Snap Ring (Symmetric/Asymmetric)
38	BH-7234-87	VS10-40-08	2	Overhead Sheave Axle (Symmetric)
39	BH-7234-80	VS10-10-18	4	Lock Release Cable Guide
40	call for details	VS10-40-20	4	M6 x 25 HHCS
41	BH-7234-88	VS10-40-12	4	Overhead Sheave Axle (Asymmetric)
42	BH-7234-82	VS10-40-10	1	Overhead Mounting Bracket (Idler Side)
43	BH-7233-211	X10-065	6	M5 x 10 Screw
44	call for details	VS10-10-16B	6	Cable Trapping Tab

Item	SVI part #	OEM #	Req	Description
45	call for details	B1153	1	M10 x 19 HFHCS
46	call for details	X10-074	6	10mm Lock Washer
47	BH-7234-447	X10-073	18	10mm Flat Washer
48	BH-7234-116	VS10-40-07	1	Shutoff Bar
49	BH-7229-37	36027	1	Mercury Switch
50	F-HFLN-0375-16	A1154	1	3/8-16 Hex Flange Nut
51	call for details	A1157	1	3/8-16 x 2-1/2 Hex Flange Head Capscrew
52	F-MS-0010-32-0500	VS10-40-18	2	#10-32 x 1/2 Phillips Pan Head Screw
53	F-NL-0010-32	VS10-40-19	2	#10-32 Nylon Lock Nut
54	BH-7234-108	VS10-40-21	1	Limit Switch Bracket
55	BH-7234-97	VS10-50-01-00	2	Hydraulic Cylinder
--	BH-7234-97SK	VS10-SK		Hydraulic Cylinder Seal Kit VS10
56	call for details	VS10-20-01-00	2	Carriage
57	BH-7234-91	VS10-20-04	16	Slide Block
58	call for details	VS10-20-02	2	Door Guard
--	BH-7077-02-2S		1	doorjammerPRO - Pair 12" Tall
--	BH-7077-02-2		1	doorjammerPRO - Pair 24" Tall
59	BH-7234-117	VS10-40-03	1	Shutoff Pivot Pin
60	call for details	VS10-20-11	6	3mm x 26 mm Cotter Pin
61	BH-7234-124	VS10-50-04-00-A	2	Flow Control Valve Straight (1)
61	BH-7234-127	VS10-50-18-00RP		Flow Control Valve Angled (set of 2)
62	call for details	VS10-20-09	8	Nylon Screw
63	call for details	VS10-31-08	24	M8 x 12 Flat Head Screw Grade 10.8
64	BH-7234-111	VS10-32-01-00	2	Front Female Arm Weld
65	BH-7234-110	VS10-32-02-00	2	Front Intermediate Arm Weld
66	BH-7234-109	VS10-32-03-00	2	Front Male Arm Weld
67	call for details	VS10-32-00	2	Front Arm Assembly
68	call for details	VS10-31-00	2	Rear Arm Assembly
69	BH-7234-113	VS10-31-01-00	2	Rear Female Arm Weld
70	BH-7234-112	VS10-31-02-00	2	Rear Male Arm
71	BH-7234-93	VS10-31-04	4	Arm Restraint Gear (Large)
72	BH-7233-212	X10-077	12	M10 x 25 Allen Head Bolt
73	BH-7234-101	VS10-33-A	4	Arm Pin
74	call for details	VS10-31-06	8	M5 x 8 Flat Head Screw
75	BH-7234-115	VS10-31-03	2	Rubber Pad (Rear Female Arm)
76	call for details	VS10-31-05	6	Stop Plate
77	BH-7232-98	B2250	4	Food Pad Assembly (Items 77A-77F)
77A	BH-7232-93	B2208	4	Rubber Pad Insert
	BH-7232-93F	B2208-x	4	Rubber Pad Insert-Fabric Reinforced
77B	call for details	B2205	4	Foot Pad Weld
77C	BH-7234-303	B17256	4	2x30mm Round Wire Retaining Ring
77D	BH-7234-305	B17257	8	3x45mm Round Wire Retaining Ring
77E	call for details	B14254	4	Threaded Sleeve
77F	BH-7234-443	B17276-1	4	Threaded Insert
78	call for details	VS10-20-06-01	4	Pull Ring (Arm Restraint)
79	BH-7234-94	VS10-20-06-02	4	Arm Restraint Shaft
80	BH-7234-95	VS10-20-05	4	Arm Restraint Spring
81	BH-7234-92	VS10-20-03	4	Arm Restraint Gear (Small)
	call for details	VS10-20-10	4	5mm x 40mm Roll Pin
82	BH-7234-99	VS10-50-03	1	Power Side Hydraulic Hose
	BH-7234-100	VS10-50-04	1	Power Cylinder Hydraulic Hose
83	call for details	VS10-10-09	2	Rear Access Cover
--	BH-7234-80K	VS10-LLR		Lock Release Cable KIT

P
a
g
e
70



**Seal Kit for Hydraulic
Cylinder on VS10
BH-7234-97SK**
(Ref VS10-SK)

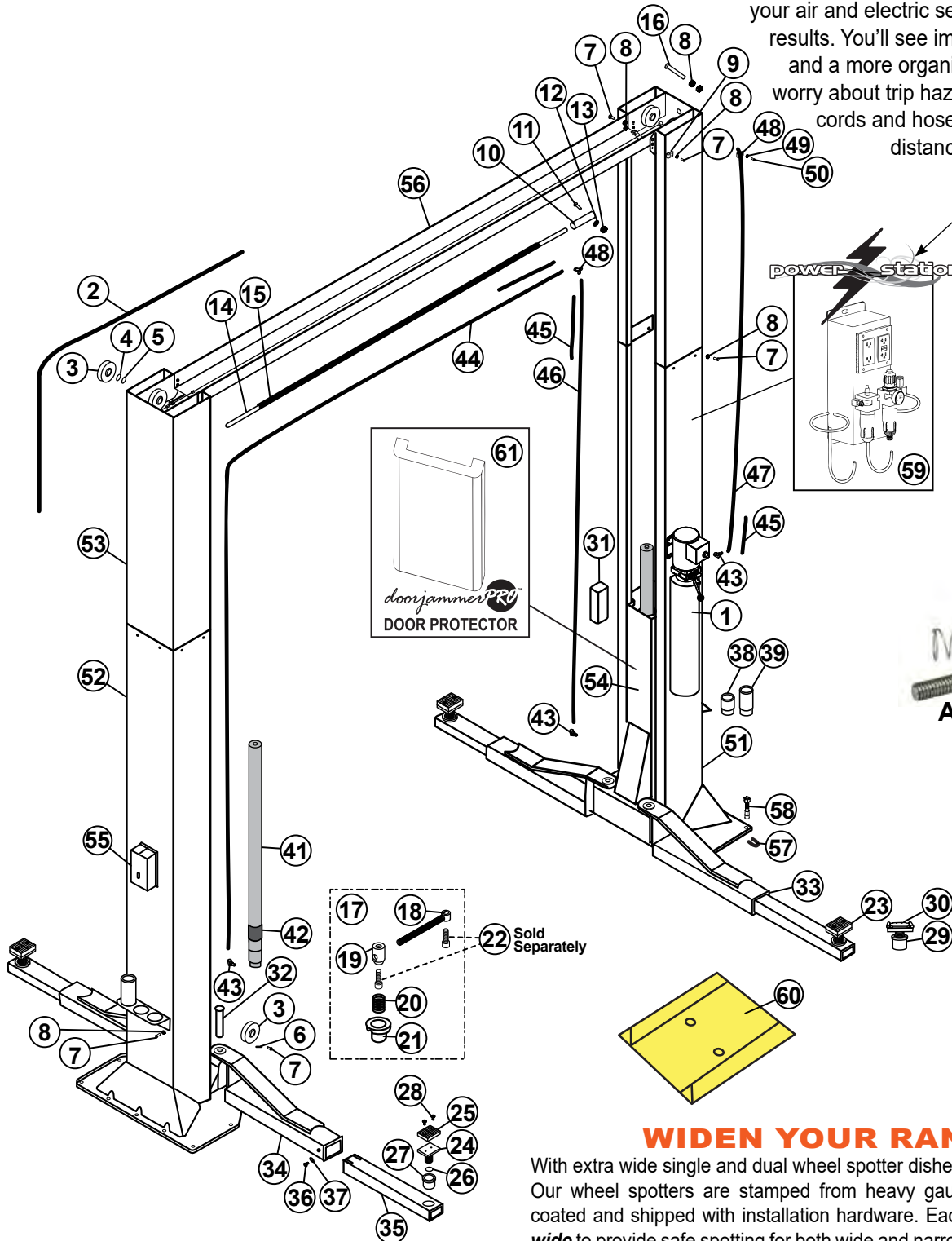
LRC7225H - 09.28.21

All names, numbers, symbols and descriptions are used for reference purposes only. It is not implied that any part listed is the product of these manufacturers. SVI does not represent and is not associated in any way with any other companies.

For Model 15000, 15002, 18000, 18002
(15,000 lb / 18,000 lb. capacity)

**POWER STATION™
AIR / ELECTRIC UTILITY BOX**

Simply install the PowerStation™ on your surface-mount lift or nearby wall, bring in your air and electric service, and watch the results. You'll see improved performance and a more organized shop. No longer worry about trip hazards associated with cords and hoses stretched for great distances across your floor.



**Arm Restraint
Assembly
BH-7234-217**
(Ref 12093)

WIDEN YOUR RANGE!

With extra wide single and dual wheel spotter dishes exclusively from SVI. Our wheel spotters are stamped from heavy gauge steel then powder coated and shipped with installation hardware. Each spotter is a **full 15" wide** to provide safe spotting for both wide and narrow wheelbase vehicles.

- BH-9701** • Single Wheel Spotter Dish 10-3/4" x 15"
- BH-9702** • Dual Wheel Spotter Dish 20-1/8" x 15"



For Model 15000, 15002, 18000, 18002 (15,000 lb / 18,000 lb. capacity)

Item	SVI Part #	OEM #	Req	Description
1	Available—Call	12119	1	Power Unit - 1 Phase, 15000
1	Available—Call	12089	1	Power Unit - 3 Phase, 15000
1	Available—Call	12087-19	1	Power Unit - 1 Phase, 18000
1	Available—Call	12089-19	1	Power Unit - 3 Phase, 18000
2	BH-7234-05	12100	2	Equalizer Cable 15000/18000
2	BH-7234-06	12019	2	Equalizer Cable 15002/18002
3	BH-7226-13	31019	6	Cable Sheave / Pulley
4	BH-7226-80	31020	6	Washer
5	BH-7203-041	31021	6	Retaining Ring
6	F-CV-250-1750	A2158	2	Clevis Pin
7	F-HFS-0375-16-0750	A1153	-	Hex Flange Head Capscrew
8	F-HFLN-0375-16C	A1154	-	Hex Flange Nut
9	BH-7234-394	A1122-12	1	Hose Clamp for 3/8" Hose
10	BH-7229-37	12045	1	Limit Switch
11	BH-7234-411	36065	2	Shoulder Bolt
12	F-FW-0250	31115	2	1/4" Flat Washer
13	Request Details	70081	2	Keps Nut
14	BH-7234-205	12075	1	Overhead Shutoff Bar, Only
14	BH-7234-206	12074	-	Overhead Shutoff Bar Assembly
15	BH-7225-68	31129	1	Cushion for Shutoff Bar
16	F-HC-0375-16-3000	A2159	4	Hex Head Capscrew 3/8"-16NC x 3"
17**	BH-7234-217	12093		Arm Restraint Kit (1 Arm) 15/18
18**	BH-7234-217A	12060	4	Link Weldment
19**	BH-7229-40	31108	4	Arm Restraint Insert
20**	BH-7229-60	31109	4	Compression Spring
21**	BH-7234-216	12096	4	Sleeve Weldment
22	F-SC-0500-13-1500	31112	8	Socket Head Capscrew
23*	BH-7234-208	B12062 12062-12	4	Screw-Up Adapter Assembly (Not Frame Engaging)
24*	Available—Call	B12063	4	Foot Pad Weldment
25*	BH-7101-00	482365	4	Rubber Pad, Bolt-On Style
26*	Available—Call	B12257	4	Retaining Ring
27*	Available—Call	B12067	4	Threaded Insert
28*	BH-7234-314	B1068	8	Hex Flange Head Screw
29	BH-7234-128-15	B12062S	-	Screw-Up Adapter Assembly (Frame Engaging)
30	BH-7232-01U	A1104-H		Urethane Snap-In Pad (1)
30	BH-7232-01OHD	A1104-Hx		Octagon HD Rubber Pad (1), Alternative to Urethane
30	BH-7232-01OHD-4	A1104-Hx		Octagon HD Rubber Pad Kit (4) Alternative to Urethane
31	BH-7234-212	12021	8	Slider Block
32	BH-7234-207	12046	4	Swing Arm Pin
33	BH-7234-214K	12048-1	4	Arm Assembly for 15/18
34	BH-7234-214	12049	4	Outer Swing Arm 15/18
35	BH-7234-215	12054	4	Inner Swing Arm 15/18
36	F-SC-0500-13-0625	12072	4	Socket Head Capscrew 1/2"-13 x 5/8"

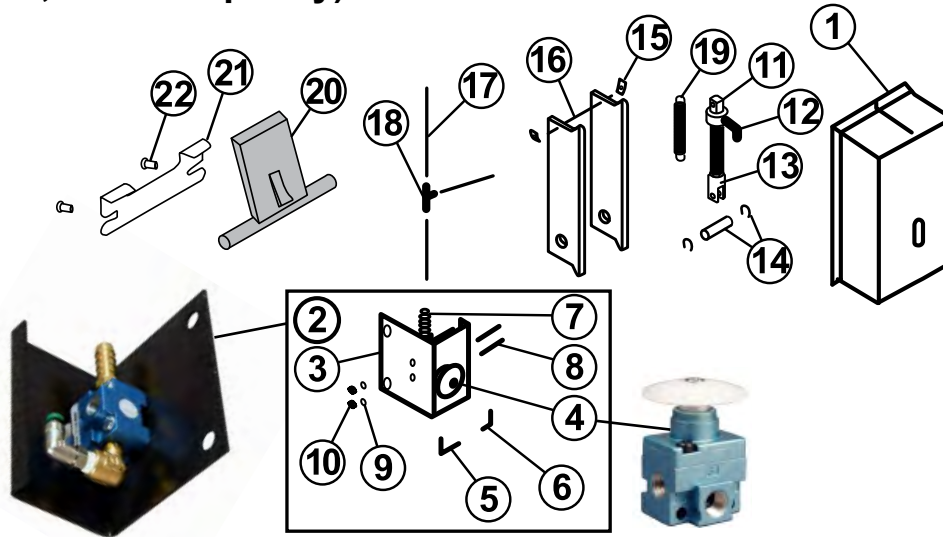
Item	SVI Part #	OEM #	Req	Description
37	F-ITLW-0500	12084	4	Internal Tooth Lockwasher
38	BH-7234-210	12069	4	4" Nesting Height Extension
38	BH-7234-208-5	12069x	-	5" Nesting Height Extension
39	BH-7234-211	12068	2	8" Nesting Height Extension
40	BH-7234-211H	12071	2	Adapter Organizer Rack
41	BH-7234-289	15075	2	Hydraulic Cylinder (69" Stroke) ***Seal kit may be available—Call SVI today!
42	BH-7234-239	12111	2	Cylinder Spacer
43	BH-7233DX-1135	16167	3	90° Elbow #6 SAE x #6 JIC
44	BH-7234-804	12256	1	Hose Assembly-Idler Side
45	BH-7234-805	12539-024	3	Extension Hydraulic Line 15002/18002
46	BH-7234-803	12258	1	Hose Assembly-Power Side
47	BH-7234-807	12257	1	Hose Assembly for Power Unit
48	BH-7234-806	39103	1	Hydraulic Tee Fitting
48	BH-7226-81	31025	1	Hydraulic Line Clamp
49	F-FN-0250-20	40085	1	Hex Flange Nut 1/4"-20
50	F-HFS-0250-20-0750	A2125	1	Hex Flange Bolt 1/4"-20 x 3/4"
51	Request Details	12025	1	Column - Power Side
52	Request Details	12026	1	Column - Idler Side
53	Request Details	12022	2	Column Ext. for 15002, 18002
53	Request Details	12116H	1	Column Extension Pack for 15000 / 18000
53	Request Details	12102	2	Column Extension for 15000, 18000
53	Request Details	12117H	1	Column Extension Pack for 15002 / 18002
54	Request Details	12007	2	Carriage 15000 / 15002
54	Request Details	12007-18	2	Carriage 18000 / 18002
55	BH-7229-70M	37072	2	Lock Cover, Molded Plastic (Snap On)
55	BH-7229-70	37072x	-	Lock Cover, Metal (Snap On)
56	BH-7234-203	12039	1	Overhead Channel
57	BH-7512-92			Shim Assortment (3 sizes, 150 pcs)
58	BH-7075-03			Wedge Anchor
59	BH-7070-K	(Black)		PowerStation™ Air / Electric Utility Box
60	BH-9701			Single Wheel Spotter Dish 10-3/4" x 15"
60	BH-9702			Dual Wheel Spotter Dish 20-1/8" x 15"
61	BH-7077-02-2S			12" Tall DoorJammerPRO™ Door Protector (Pair)
61	BH-7077-02-2			24" Tall DoorJammerPRO™ Door Protector (Pair)

*Order complete Adapter Assembly—See BH-7234-208 (Not Frame Engaging) or BH-7234-128-15 (Frame Engaging)

**Order complete Arm Restraint Kit for 1 Arm—See BH-7234-217.
Socket Head Capscrews sold separately—Order capscrews #
F-SC-0500-13-1500.

*** BH-7231-37 Seal Kit for 2-1/2" Bore x 69"
Pacoma Cylinder found on
some 15000 / 15002 lifts

For Model 15000, 15002, 18000, 18002
(15,000 lb / 18,000 lb. capacity)



Item	SVI Part #	OEM #	Req	Description
1	BH-7229-70M	37072	2	Lock Cover, Molded Plastic (Snap On)
1	BH-7229-70	37072x	-	Lock Cover, Metal (Snap On)
2	BH-7229-38	37014	-	Button Valve and Bracket Assembly
3*	BH-7229-87	37015	1	Valve Bracket
4*	BH-7228-73	37016	1	Lock Release Air Valve Switch
5*	BH-7229-88	37020	1	90° Elbow
6*	BH-7228-78	37019	1	Elbow, Pushlock
7*	BH-7229-89	37021	1	Hose Barb
8*	F-PH-0008-32-1250	37022	2	Pan Head Screw
9*	F-LW-0008	37023	2	Lock Washer
10*	F-JN-0008-32	37024	2	Hex Nut
11	BH-7229-29	37026	2	Air Cylinder

Item	SVI Part #	OEM #	Req	Description
12	BH-7234-237	37028	2	Swivel Elbow
13	BH-7229-52	37120	2	Air Cylinder Clevis
14	BH-7229-57	37119	2	Clevis Pin Kit
15	BH-7229-54	37031	4	Speed Nut
16	BH-7229-55	37042	2	Pivot Rod Element
17	BH-7234-283	12105	1	35' Overhead Airline
18	BH-7228-77	37032	1	Union Tee, Pushlock
19	BH-7234-238	12088	2	Extension Spring
20	BH-7234-219	12033	2	Lock Weldment
21	BH-7234-218	12037	2	Carriage Lock Retainer
22	F-BH-0312-18-0500	12073	4	Button Head Capscrew

*Included in Kit BH-7229-38 (ref 37014) Button Valve and Bracket Assembly



BH-7234-238
(Ref 12088)
Spring for
15000 / 18000
Series

Auto Lift Cables and Chain Sheaves / Pulleys / Chain Rollers



Vehicle Lifts and Lifting Equipment

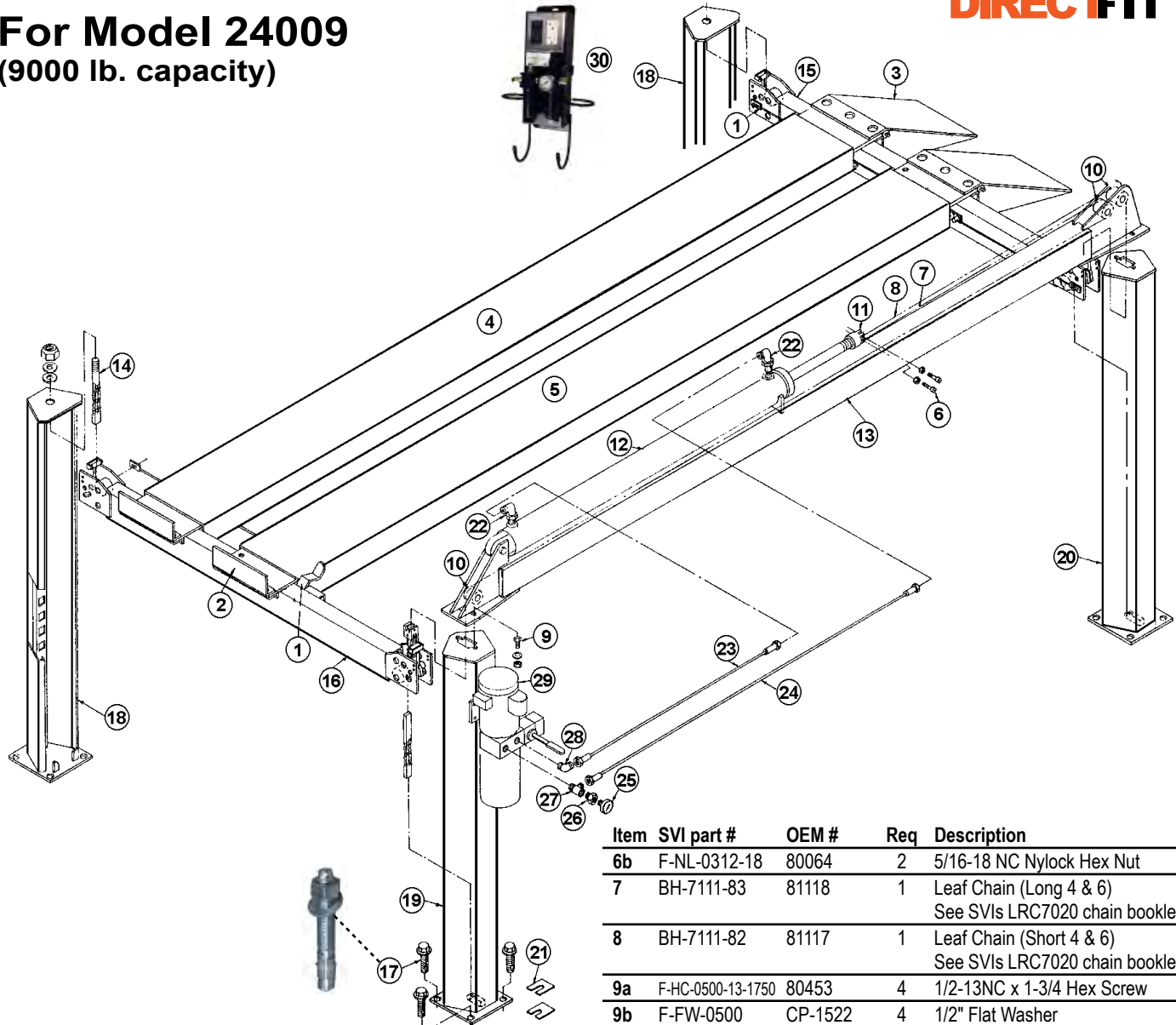
New Lifts for Cars, Trucks, Buses, Motorcycles, UTVs and More
Replacement Cylinders Sections & Kits • Turf Trays for 2-Post Lifts





DIRECTFIT™

**For Model 24009
(9000 lb. capacity)**



Item	SVI part #	OEM #	Req	Description
2	BH-7100-52	80629	2	Track Stop Angle
2a	BH-7100-53	80630	2	Angle Retainer
2b	F-HC-0500-13-1750	80453	6	1/2-13NC x 1-3/4 Hex Screw
2c	F-LW-0500	CP-66	6	1/2" Lockwasher
2d	F-HN-0500-13	CP-65	6	1/2-13 NC Hex Nut
3	BH-7100-54	81340	2	Ramp Assembly
3a	BH-7100-55	80631	2	Ramp Structure
3b	BH-7100-56	80069	2	Rod-Ramp to Pivot
3c	F-CP-125-1000	CP-3025	4	1/8 x 1 Cotter Pin
3d	BH-7100-57	80627	2	Ramp Pivot Structure
3e	F-HC-0500-13-1750	80453	6	1/2-13 NC x 1-3/4 Hex Screw
3f	F-LW-0500	CP-66	6	1/2" Lock Washer
3g	F-HN-0500-13	CP-65	6	1/2-13NC Hex Nut
4	BH-7100-58	80102	1	Track Structure RH
5	BH-7100-59	81111	1	Track Structure LH
5a	F-HC-0500-13-1750	80453	2	1/2-13 NC x 1-3/4 Hex Screw
5b	F-LW-0500	CP-66	2	1/2" Lock Washer
5c	F-HN-0500-13	CP-65	2	1/2"-13 NC Hex Nut
6a	F-SC-0312-18-2000	80756	2	5/16-18 NC Socket Head

Item	SVI part #	OEM #	Req	Description
6b	F-NL-0312-18	80064	2	5/16-18 NC Nylock Hex Nut
7	BH-7111-83	81118	1	Leaf Chain (Long 4 & 6) See SVIs LRC7020 chain booklet
8	BH-7111-82	81117	1	Leaf Chain (Short 4 & 6) See SVIs LRC7020 chain booklet
9a	F-HC-0500-13-1750	80453	4	1/2-13NC x 1-3/4 Hex Screw
9b	F-FW-0500	CP-1522	4	1/2" Flat Washer
9c	F-HN-0500-13	17142	4	1/2-13NC Hex Nut
10	BH-7230-30	80028	3	2-3/4" Chain Roller 3/4" Bore
10a	BH-7102-22	80039	3	Bolt 3/4-16 NF x 3-1/2
10b	BH-7102-00	80034	3	Nylock Nut
11	BH-7101-25	80079	1	Chain Connector
12*	BH-7100-68	80078	1	Hydraulic Cylinder
12a	BH-7100-74	80143	1	Seal Kit
12b	BH-7100-94	80027	1	Pin
12c	F-RP-250-1500	CP-4660	2	1/4 x 1-1/2 Roll Pin
13	BH-7100-95	80001	1	Upper Tube Structure
14	BH-7100-96	80152	2	Cross Chain Assembly
14a	call for details	80029	1	Chain 3 & 4 <i>*Available—See SVIs LRC7020 chain booklet</i>
14b	BH-7028-01	80139	2	Connecting Link
14c	BH-7101-49	80023	1	Bolt Retainer
14d	BH-7100-97	CP-733	12	Flat Washer (Spacer)
14e	BH-7101-52	80035	2	Lock Nut
14f	BH-7100-98	80063	2	Socket Head Chain End
15	BH-7100-99	81119	1	Rear Cross Tube Assembly
16	BH-7101-56	81120	1	Front Cross Tube Assembly

Page 74

Continues on Following Page



For Model 24009 (9000 lb. capacity)

Item	SVI part #	OEM #	Req	Description
17	BH-7075-03	80062	16	Anchor Bolt 3/4
18	BH-7110-23	81053	2	Passenger Column
19	BH-7101-57	81052	1	Driver Column with Power Unit Mount
20	BH-7101-58	81051	1	Driver Column
21	call for details	80589	1	Shim Kit - See BH-7512-92
22	BH-7101-59	80131	2	90° Male Elbow
23	BH-7100-93	80126	1	Short Hose 1/2 ID
24	BH-7101-60	80125	1	Long Hose 1/2 ID
25	BH-7101-61	80124	1	Dry Pressure Gauge

Item	SVI part #	OEM #	Req	Description
26	BH-7101-62	CP-2878	1	Bushing 3/8 NPT x 1/4 NPT
27	BH-7101-63	80132	1	Male Tee 3/8 NPT x 3/4 JIC
28	BH-7101-64	80133	1	90° Elbow
29	Power Units Available and In-Stock at SVI—Call to order 800-321-8173			
	BH-7006-01	80472	1	2HP 1PH 3.5 Gal. Power Unit
	BH-7006-03		1	2HP 3PH 3.5 Gal. Power Unit
30	BH-7069-K			PowerStation™ Air / Electric Utility Box

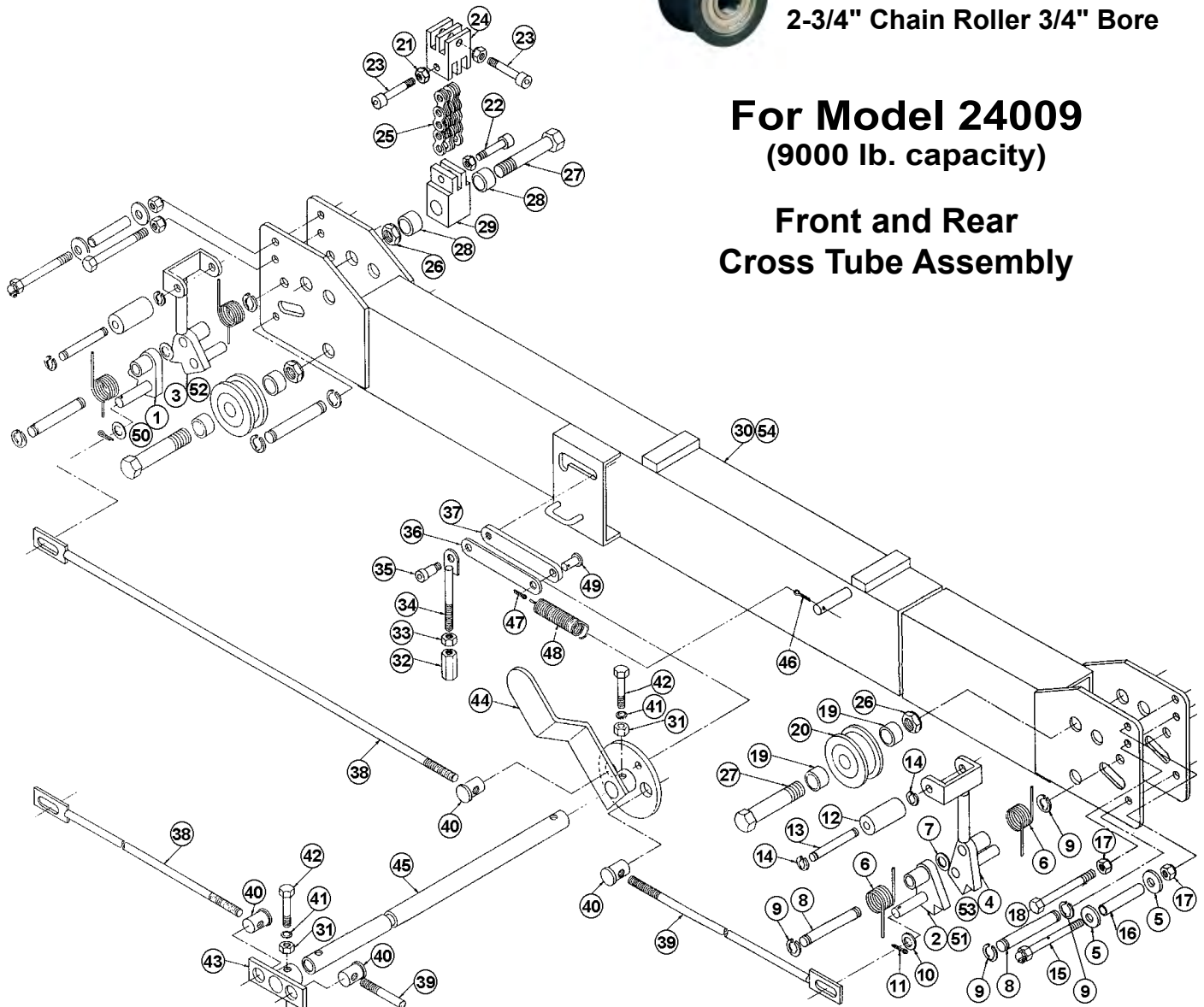
* Call with serial number to order seal kit.



BH-7230-30 (Ref 80028)
2-3/4" Chain Roller 3/4" Bore

For Model 24009 (9000 lb. capacity)

Front and Rear Cross Tube Assembly



P
a
g
e

Continues on Following Page **75**



**For Model 24009
(9000 lb. capacity)**

Front Cross Tube Assembly

Item	SVI part #	OEM #	Req	Description
1	BH-7110-11	81068	1	Latch Catch LH
2	BH-7110-12	81069	1	Latch Catch RH
3	BH-7110-17	81074	1	Slack Cable Latch LH
4	BH-7110-24	81075	1	Slack Cable Latch RH
5	BH-7102-11	81206	4	Washer
6	BH-7110-13	81072	4	Safety Latch Spring
7	BH-7101-65	CP-1597	2	Flat Washer 13 Ga. 5/8"
8	BH-7100-89	81073	4	Shaft
9	BH-7101-66	81250	8	Retaining Ring 5/8
10	BH-7101-67	CP-8515	2	Flat Washer 16 Ga. 1/2"
11	F-CP-125-0750	CP-2563	2	Cotter Pin 1/8 x 3/4
12	BH-7102-38	81079	2	Roller
13	BH-7102-39	81080	2	Shaft
14	BH-7100-86	80683	4	Retaining Ring
15	BH-7110-18	81479	2	4" Greaseable Bolt

Item	SVI part #	OEM #	Req	Description
16	BH-7102-31	81176	2	Tube Spacer
17	F-NL-0375-16	81082	4	Nylock Nut
18	F-HC-0375-16-4000	81081	2	HHCS 3/8-16x4"
19	BH-7102-42	81067	4	Spacer
20	BH-7230-30	80028	2	2-3/4" Chain Roller 3/4" Bore
21	F-NL-0750-16	80064	3	Nylock Nut
22	F-SC-0312-18-1750	81185	1	5/16-18NC x 1-3/4 Socket Head
23	F-SC-0312-18-2000	80756	2	5/16-18 NC x 2 Socket Head
24	BH-7101-45	81086	1	Upper Chain Retainer
25	BH-7101-68	81085	1	Chain Extension
26	F-NL-0750-16	80034	3	Nylock Nut
27	BH-7102-41	80033	3	Pin
28	BH-7101-69	81084	2	Spacer
29	BH-7101-70	81083	1	Lower Chain Retainer
30	BH-7101-71	81122	1	Front Cross Tube Structure

Rear Cross Tube Assembly

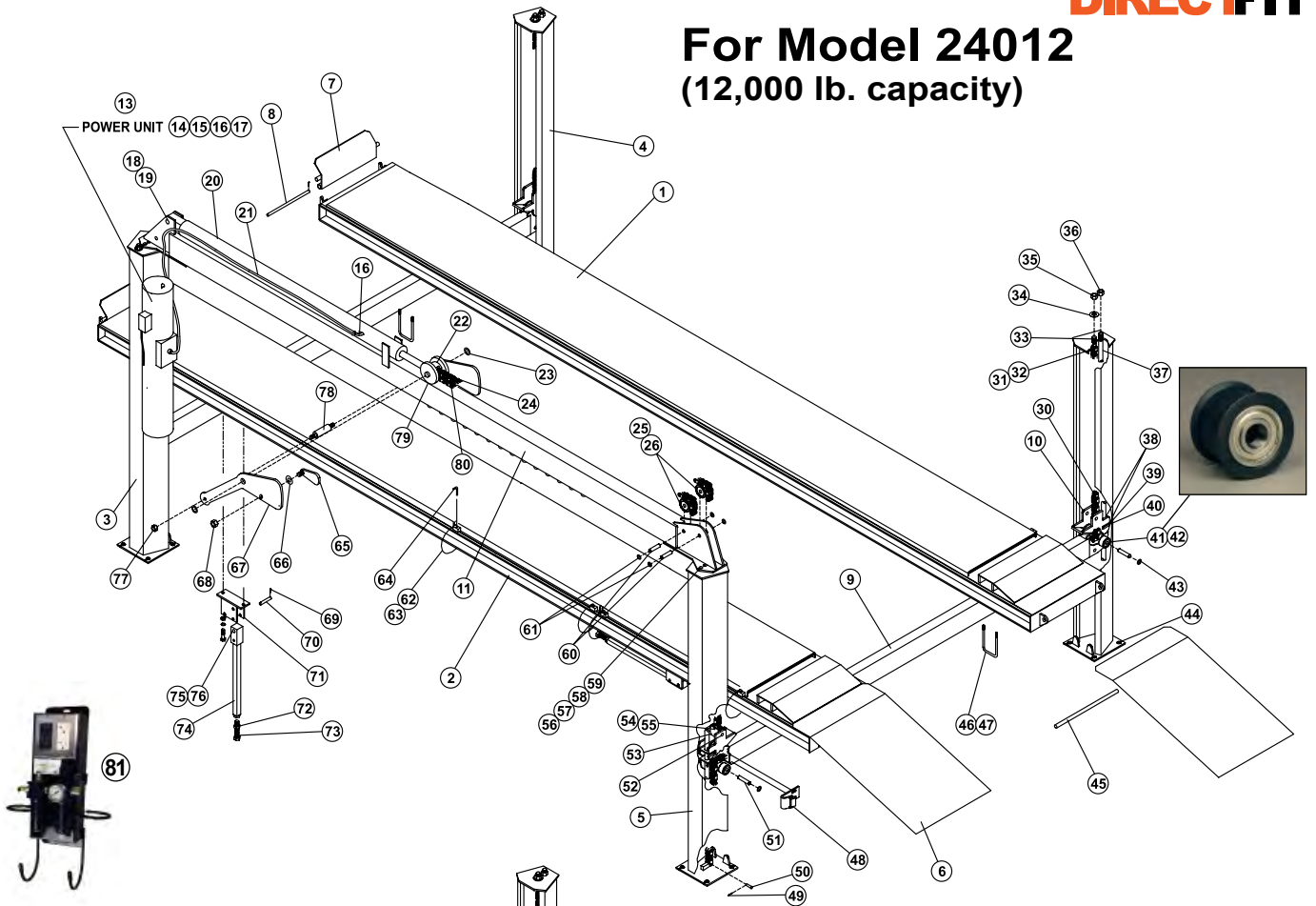
Item	SVI part #	OEM #	Req	Description
5	BH-7102-11	81206	4	Washer
6	BH-7110-13	81072	4	Safety Latch Spring
7	BH-7101-65	CP-1597	2	Flat Washer 13 Ga. 5/8"
8	BH-7100-89	81073	4	Shaft
9	BH-7101-66	81250	8	Retaining Ring 5/8
10	BH-7101-67	CP-8515	2	Flat Washer 16 Ga. 1/2"
11	F-CP-125-0750	CP-2563	2	Cotter Pin 1/8 x 3/4
12	BH-7102-38	81079	2	Roller
13	BH-7102-39	81080	2	Shaft
14	BH-7100-86	80683	4	Retaining Ring
15	BH-7110-18	81479	2	4" Greaseable Bolt
16	BH-7102-31	81176	2	Tube Spacer
17	F-NL-0375-16	81082	4	Nylock Nut
18	F-HC-0375-16-4000	81081	2	HHCS 3/8-16x4"
19	BH-7102-42	81067	4	Spacer
20	BH-7230-30	80028	2	2-3/4" Chain Roller 3/4" Bore
21	F-NL-0312-18	80064	3	Nylock Hex Nut 5/16-18 NC
22	F-SC-0312-18-1750	81185	1	5/16-18NC x 1-3/4 Socket Head
23	F-SC-0312-18-2000	80756	2	5/16-18 NC x 2 Socket Head
24	BH-7101-45	81086	1	Upper Chain Retainer
25	BH-7101-68	81085	1	Chain Extension
26	F-NL-0750-16	80034	3	Nylock Nut
27	BH-7102-41	80033	3	Pin
28	BH-7101-69	81084	2	Spacer
29	BH-7101-70	81083	1	Lower Chain Retainer

Item	SVI part #	OEM #	Req	Description
31	F-HN-0312-18	CP-4401	2	5/16-18 NC Hex Nut
32	BH-7105-09	81253	1	3/8-16 NC Nut
33	F-HN-0375-16	CP-668	1	3/8-16 NC Hex Nut
34	BH-7101-23	81251	1	Trip Rod
35	BH-7101-21	81107	1	Bolt 5/16 NC
36	BH-7101-22	81101	1	Bar
37	BH-7101-20	81102	1	Bar Tapped
38	BH-7110-21A	81099	2	Short Adjusting Rod
39	BH-7110-22	81113	2	Long Adjusting Rod
40	BH-7110-20	81095	4	Pivot Pin
41	F-LW-0312	CP-1677	2	5/16 Lock Washer
42	F-HC-0312-18-1500	81483	2	5/16-18 NC x 1-1/2 Hex Screw
43	BH-7101-72	81092	1	Trip Release Pivot Structure
44	BH-7101-54	81088	1	Trip Release Handle Structure
45	BH-7101-74	81112	1	Tube Structure Pivot
46	F-RP-125-1000	CP-3025	1	1/8 x 1 Cotter Pin
47	F-CP-125-075	CP-2563	1	1/8 x 3/4 Cotter Pin
48	BH-7101-75	CP-1587	1	Spring
49	BH-7101-19	81103	1	Pin
50	BH-7110-12	81069	1	Latch Catch RH
51	BH-7110-11	81068	1	Latch Catch LH
52	BH-7110-24	81075	1	Slack Cable Latch RH
53	BH-7110-17	81074	1	Slack Cable Latch LH
54	BH-7101-76	81121	1	Rear Cross Tube Structure

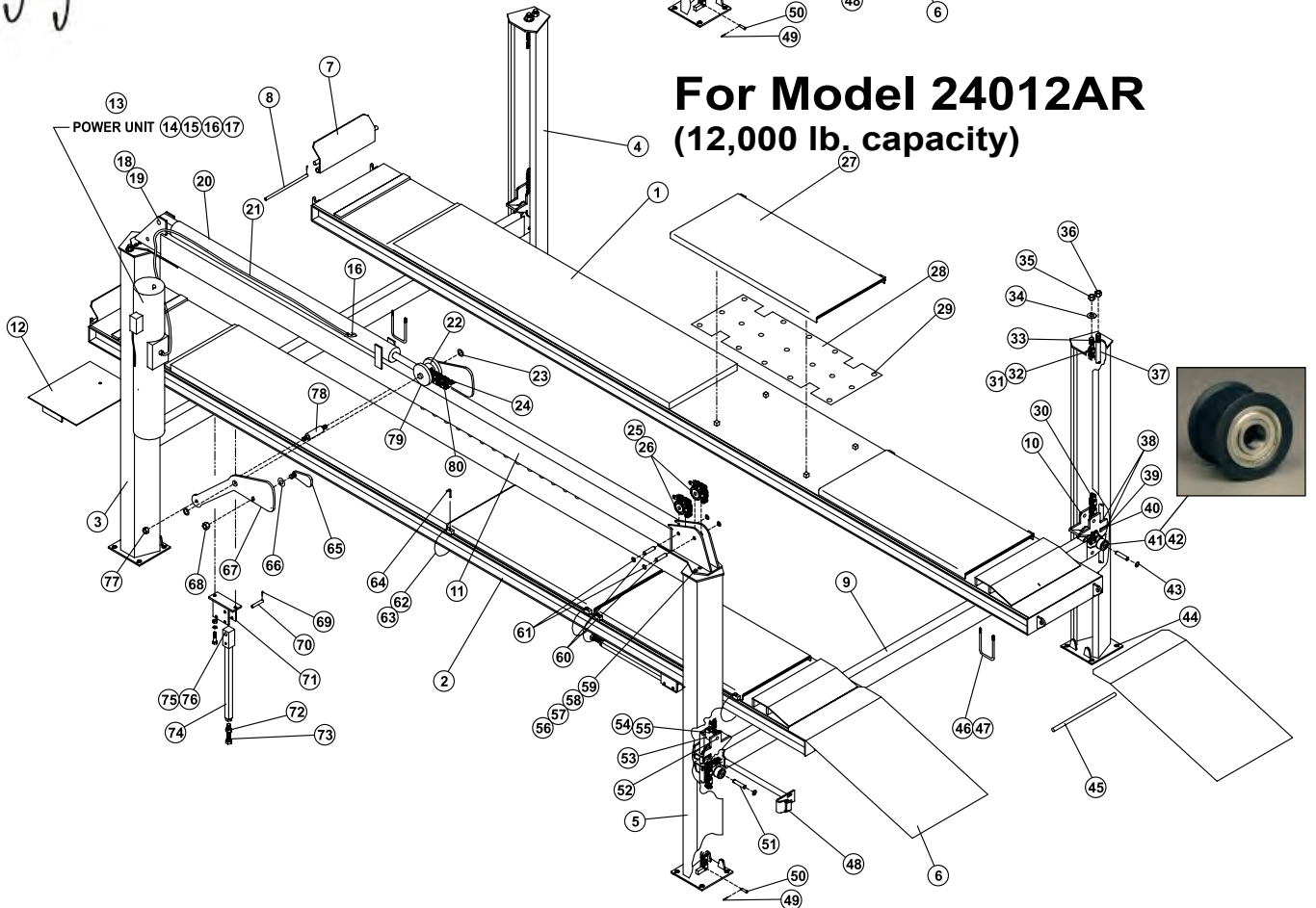


BH-7230-30 (Ref 80028)
2-3/4" Chain Roller 3/4" Bore

For Model 24012 (12,000 lb. capacity)



For Model 24012AR (12,000 lb. capacity)





DIRECTFIT™

For Models 24012 and 24012AR (12,000 lb. capacity)

Item	SVI part #	OEM #	Req	Description
1	call for details	601-40-0675	1	RH Platform Weldment (24012AR)
	call for details		1	RH Platform Weldment (24012)
2	call for details	601-40-0676	1	LH Platform Weldment (24012AR)
	call for details		1	LH Platform Weldment (24012)
3	call for details	601-40-0422	1	Post Weldment, Power Unit
4	call for details	601-40-0423	2	Post Weldment, Standard
5	call for details	601-40-0418	1	Post Weldment
6	call for details	601-40-0674	4	Ramp Assembly
7	call for details	601-40-0666	4	Front Stop Weldment
8	call for details	601-40-0707	4	Front Stop Pin
9	call for details	601-40-0412	2	Crossbeam Weldment
10	call for details	601-40-0416	4	Latch Weldment
11	call for details	601-40-0400	1	Overhead Beam Weldment
12	call for details	601-40-0661	2	Slide Step Weldment (24012AR Only)
13	BH-7006-05	367-01-0079	1	Power Unit
Power Units Available and In-Stock at SVI—Call to order 800-321-8173				
14	F-NL-0312-18	314-03-0083	4	5/16-18 Nylon Locknut
15	F-HC-0312-18-1000	302-02-0115	4	5/16 x 1 Hex Head Bolt
16	F-A3405-6-6	312-01-0104	2	90° Elbow, #6MO x #6MJ
17	F-FW-0312-SAE	320-03-0035	4	5/16" Flatwasher
18	F-CP-250-1500	315-02-0020	2	1/4" x 1-1/2 Cotter Pin
19	BH-7230-21	443-02-0879	1	Cylinder Mount Pin
20	call for details	591-01-1271	1	4-Post Cylinder
21	call for details	601-40-0428	1	3/8" Hose Assembly, 110.5" Long
22	call for details	315-03-0002	2	5/16" Ø 2-1/2" Dowell Pin
23	F-RR-1375	317-01-0011	2	1-3/8" Ext. Retainer Ring
24	BH-7230-26	443-02-0983	1	97" 6x6 Chain
25	BH-7375-35	423-01-0013	3	Chain Roller, 4" OD x 3/4" Bore
		443-40-0810		
26	call for details	301-01-0022	6	Bearing for Sheave
27	call for details	601-40-0687	4	Slip Plate Weldment (24012AR Only)
28	BA-1200-04	443-01-0030	60	1" Steel Balls (24012AR Only)
29	call for details	601-40-0727	4	Ball Locator Weldment (24012AR Only)
30	BH-7233-83	443-02-0913	2	206" 3x4 Chain
31	BH-7233-82	304-05-0005	2	3/4" 3x4 Master Link
32	F-CP-125-1500	315-02-0002	2	1/8" x 1-1/2" Cotter Pin
33	BH-7230-18	443-02-0862	2	Threaded End
34	F-FW-1000-SAE	320-03-0024	2	1" Flat Washer
35	BH-7230-11	314-03-0021	2	1"-14 Lock Nut
36	BH-7230-10	314-02-0014	8	3/4"-10 Hex Nut
37	BH-7230-19	443-02-0863	4	Safety Rod
38	F-FW-0750-SAE	320-03-0057	12	3/4" Flat Washer
39	BH-7230-23	443-02-0909	4	Actuator Plate
40	BH-7230-14	429-02-0039	4	Spring
41	BH-7230-30	423-01-0011	4	Chain Roller, 2-3/8" Dia.
		443-40-0811		
42	call for details	301-01-0023	8	Bearing for Sheave
43	F-RR-0750	317-01-0012	16	3/4" Ext. Retainer Ring
44	BH-7074-96	302-15-0002	16	Anchor Bolt Assembly
45	call for details	443-02-0914	4	Ramp Mount Pin
46	BH-7230-20	443-02-0875	4	U-Bolt
47	F-JN-0500-20	314-04-0023	8	1/2-20 Jam Nut

Item	SVI part #	OEM #	Req	Description
48	call for details	601-40-0768	4	Anti-Sway Assembly
49	F-CP-125-0750	315-02-0021	2	1/8" x 3/4" Cotter Pin
50	F-CV-312-1250	443-05-0874	2	5/16" x 1-1/4" Clevis Pin
51	BH-7230-35	443-02-0880	2	Chain Roller Pin
52	call for details	443-02-0882	6	Latch Pin
53	BH-7230-24	443-02-0977	2	Lock Block
54	F-LN-0250-20	314-03-0050	2	1/4-20 Lock Nut
55	BH-7233-81	319-22-0015	2	Shoulder Bolt
56	F-HC-0500-13-2000	302-02-0123	18	1/2-13 x 2 Hex Head Bolt
57	F-FW-0500-SAE	320-03-0052	36	1/2" Flat Washer
58	F-LW-0500	320-04-0007	18	1/2" Lock Washer
59	BH-7230-09	314-02-0012	18	1/2"-13 Hex Nut
60	BH-7230-35	443-02-0880	3	Chain Roller Pin
61	F-RR-0750	317-01-0012	6	3/4" Ext. Retainer Ring
62	call for details	601-09-0178	8	12" Cable
63	BH-7230-17	443-02-0502	16	Cable Sleeve
64	call for details	601-09-0087	8	L-Pin
65	BH-7230-95	601-40-0410	1	Latch Release Weldment
66	F-FW-0750-SAE	320-03-0057	4	3/4" Flat Washer
67	call for details	601-40-0572	2	Latch Plate
68	call for details	314-03-0075	1	3/4-10 Center Lock
69	F-CP-125-1500	315-02-0002	8	1/8" x 1-1/2" Cotter Pin
70	call for details	601-40-0680	4	Leg Pin
71	call for details	601-40-0670	4	Leg Base Weldment
72	F-JN-0750-10	314-04-0020	4	3/4-10 Jam Nut
73	F-HC-0750-10-4000	302-02-0264	4	3/4-10 x 4 Bolt
74	call for details	601-40-0679	4	Leveling Leg Weldment
75	BH-7230-13	429-01-0015	4	Spring
76	BH-7230-16	443-01-0038	8	3/4" Chrome Balls
77	BH-7230-12	314-03-0059	2	3/4-16 Nylon Lock Nut
78	call for details	443-02-0886	1	Lock Pin
79	BH-7230-22	443-02-0887	2	Wheel Assembly
80	BH-7230-25	443-02-0982	1	261" 6x6 Chain
81	BH-7069-K			PowerStation™ Air / Electric Utility Box



BH-7230-35
(Ref 651-40-0409, 443-02-0880)
Sheave Pin



BH-7375-35
(Ref 443-40-0810, 423-01-0013)
4" Chain Roller 3/4" Bore

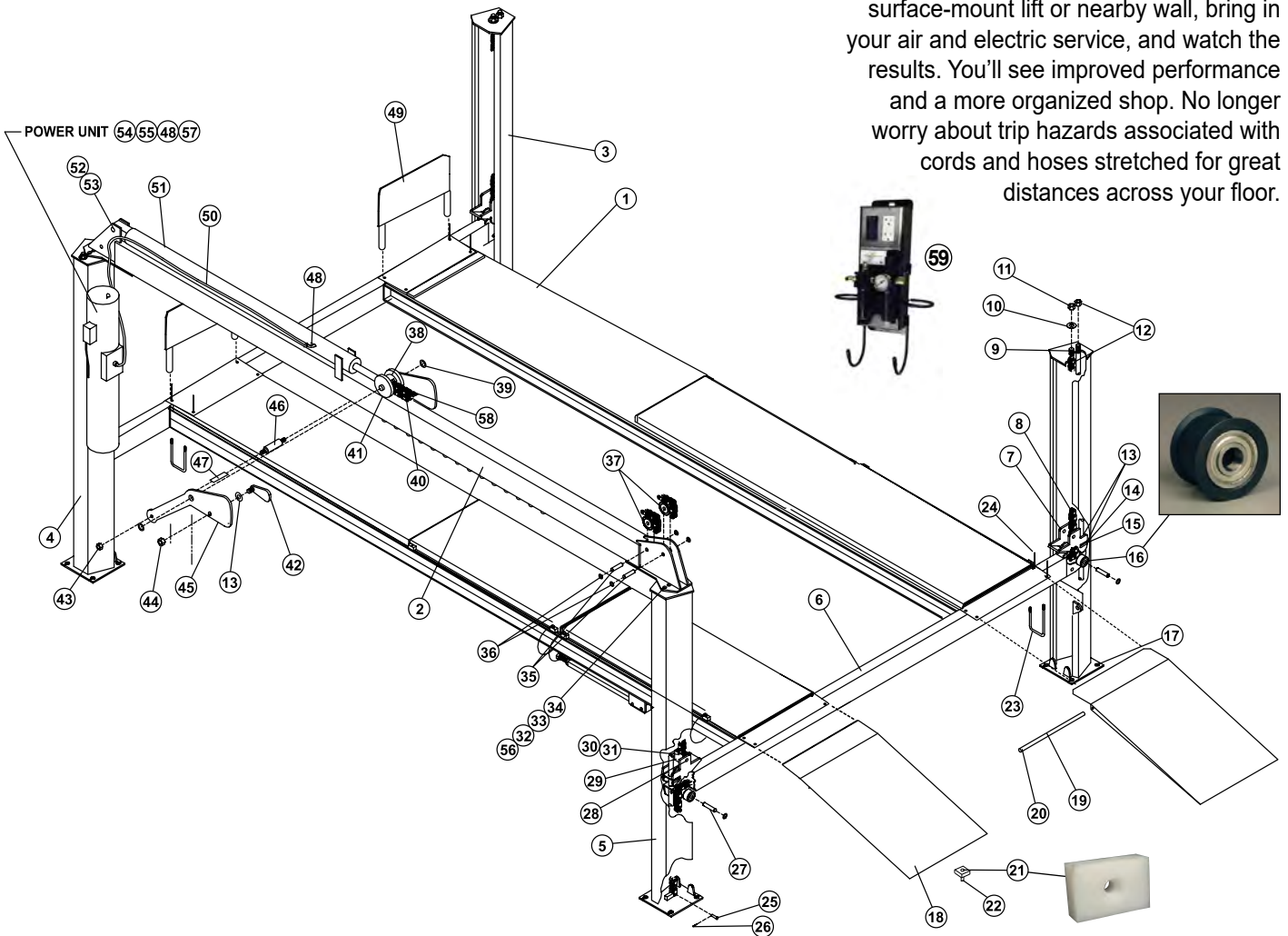


BH-7230-30
(Ref 443-40-0811)
2-3/4" Chain Roller 3/4" Bore

**For Model 24012E / 24012EW
(12,000 lb. capacity)**

**POWER STATION™
AIR / ELECTRIC UTILITY BOX**

Simply install the PowerStation™ on your surface-mount lift or nearby wall, bring in your air and electric service, and watch the results. You'll see improved performance and a more organized shop. No longer worry about trip hazards associated with cords and hoses stretched for great distances across your floor.



power station™

**POWER STATION™
AIR / ELECTRIC
UTILITY BOX**

*Easily mounts
on your lift or
a nearby wall!*

**Auto Lift Power Units
and Parts**

Call SVI today!



For Model 24012E / 24012EW (12,000 lb. capacity)

Item	SVI part #	OEM #	Req	Description
--	Power Units Available and In-Stock at SVI—Call to order 800-321-8173			
1	call for details	651-40-0842 (thru -0845)	2	Runway Weldment
2	BH-7230-34	651-40-0400 (and -0401)	1	Overhead Beam Weldment
3	BH-7230-42	651-40-0423	2	Post Weldment, Standard
4	BH-7230-41	651-40-0422	1	Post Weldment, Power Unit
5	BH-7230-39	651-40-0418	1	Post Weldment
6	BH-7230-37	651-40-0412	2	Crossbeam Weldment
7	BH-7230-38	651-40-0416	4	Latch Weldment
8	BH-7233-83	443-02-0913	2	Crossbeam Chain
9	BH-7230-18	443-02-0862	2	Threaded End
10	F-FW-1000-SAE	320-03-0024	2	Flat Washer
11	BH-7230-11	314-03-0021	2	Lock Nut
12	BH-7230-58A	601-40-0424	4	Safety Rod Assembly with nut
13	call for details	320-03-0057	16	Flat Washer
14	BH-7230-23	443-02-0909	4	Actuator Plate
15	BH-7230-14	429-02-0039	4	Spring
16	BH-7230-30	443-40-0811	4	Chain Roller Assembly 2-3/4"
17	call for details	302-15-0002	2	Anchor Bolt Assembly
--	BH-7075-03			Wedge Anchor Bolt
18	call for details	651-40-1036	2	Ramp Weldment
19	call for details	651-40-0585	2	Ramp Mount Pin
20	F-CP-250-2500	315-02-0002	4	Cotter Pin
21	BH-7230-89	443-02-1326	4	Slider Block
22	call for details	319-21-0006	4	Screw
23	BH-7230-20	443-02-0875	8	U-Bolt
24	call for details	314-04-0023	8	Jam Nut
25	BH-7230-02	443-02-0874	2	Headed Pin
26	call for details	315-02-0021	2	Cotter Pin
27	BH-7230-35	651-40-0409	2	Sheave Pin
28	BH-7230-40	651-40-0419	6	Latch Pin

Item	SVI part #	OEM #	Req	Description
29	BH-7230-24	443-02-0977	2	Lock Block
30	BH-7230-04	314-03-0050	2	Lock Nut
31	BH-7233-81	319-22-0015	2	Shoulder Bolt
32	F-FW-0500-SAE	320-03-0052	36	Flat Washer
33	F-LW-0500	320-04-0007	18	Lock Washer
34	BH-7230-09	314-02-0012	18	Hex Nut
35	BH-7230-35	651-40-0409	3	Chain Roller Pin
36	F-RR-0750	317-01-0012	22	3/4" Ext. Retainer Ring
37	BH-7375-35	443-40-0810	3	Chain Roller Assembly
38	call for details	315-03-0002	2	Dowell Pin
39	call for details	317-01-0011	2	Retainer Ring
40	BH-7230-25	443-02-0982	1	Long Lift Chain
	BH-7230-27	443-02-0984		
41	call for details	443-02-1325	1	UHMW Block
42	BH-7230-36	651-40-0410	1	Latch Release Weldment
43	BH-7230-12	314-03-0059	2	Lock Nut
44	call for details	314-03-0075	1	Lock Nut
45	BH-7230-45	651-40-0572	2	Latch Plate
46	call for details	651-40-1034	1	Lock Spacer
47	call for details	302-02-0396	1	Bolt
48	call for details	312-01-0104	2	90° Elbow
49	call for details	651-40-0543	2	Front Stop
50	BH-7230-43	651-40-0428	1	Hose Assembly
51	call for details	591-01-1620	1	4-Post Cylinder
52	F-CP-250-1500	315-02-0020	2	Cotter Pin
53	BH-7230-21	443-02-0879	1	Cylinder Mount Pin
54	call for details	314-03-0083	4	Lock Nut
55	call for details	302-02-0113	4	Hex Head Bolt
56	call for details	302-02-0123	18	Hex Head Bolt
57	call for details	302-03-0035	4	Flat Washer
58	BH-7230-26	443-02-0983	1	Short Lift Chain
	BH-7230-28	443-02-0985		



BH-7230-35
(Ref 651-40-0409, 443-02-0880)
Sheave Pin



BH-7375-35
(Ref 443-40-0810, 423-01-0013)
4" Chain Roller 3/4" Bore



BH-7230-30
(Ref 443-40-0811)
2-3/4" Chain Roller 3/4" Bore

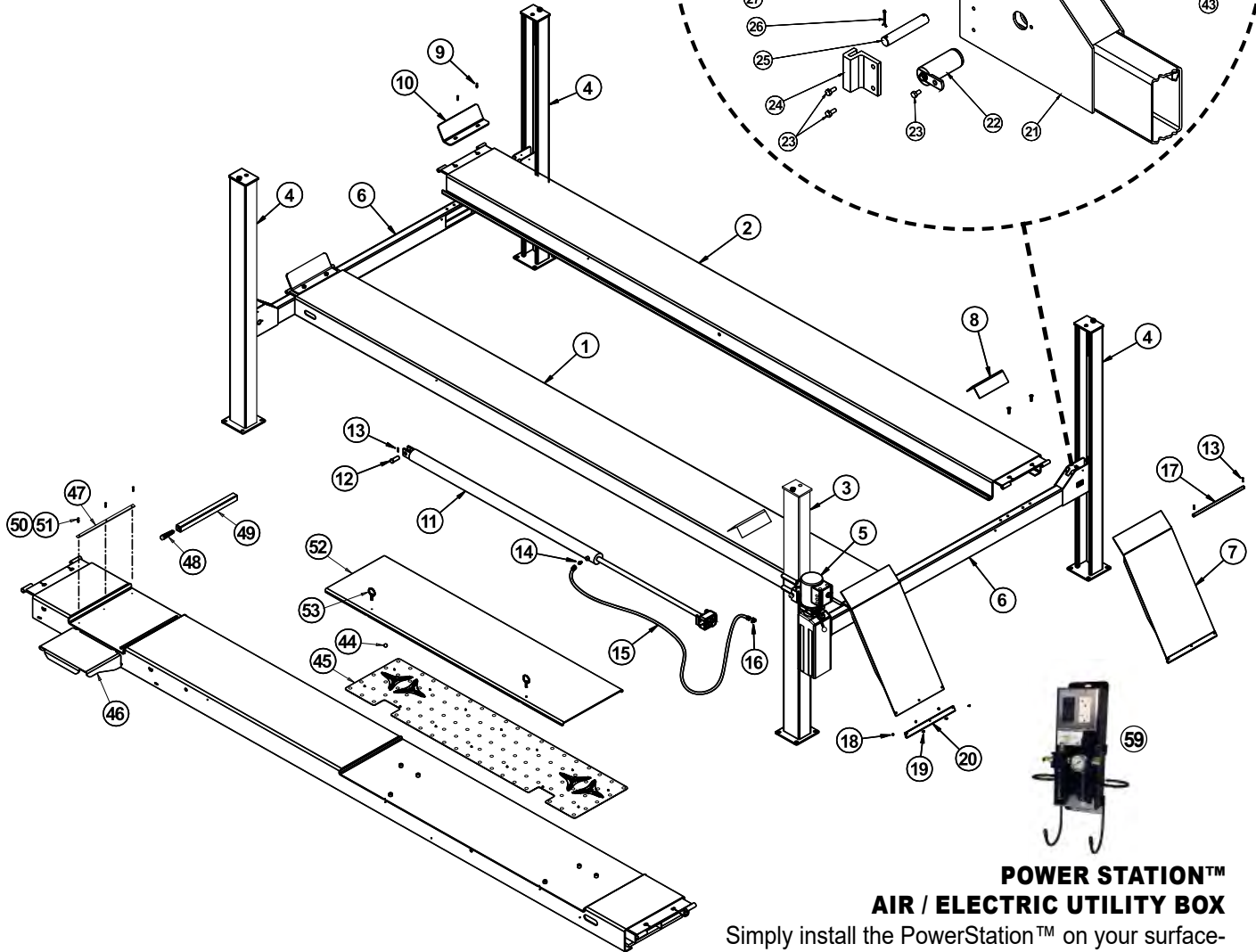
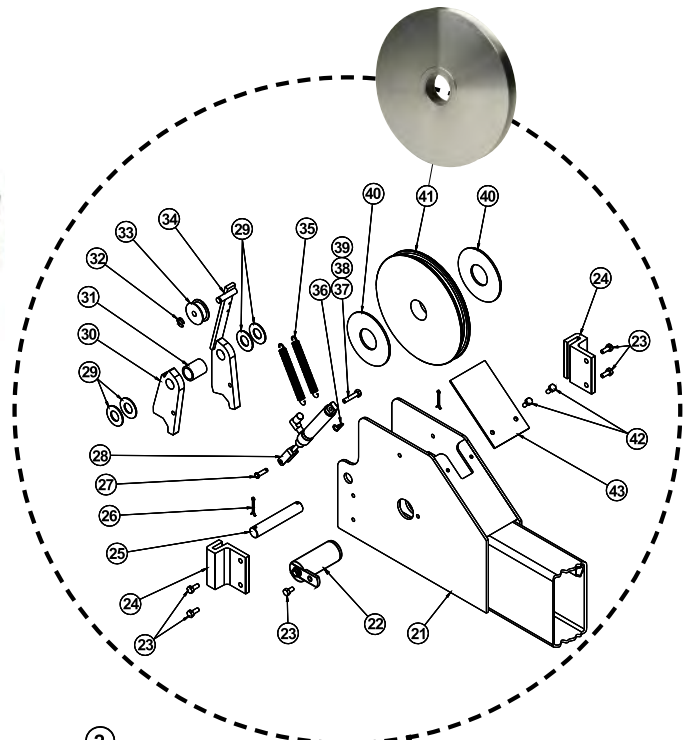
For Model 40000 Closed Front (12,000 lb. capacity)



BH-7232-76 (Ref 40053)
1/8" Thick Bearing



BH-7234-410 (Ref 40141)
Air Cylinder Assembly



**POWER STATION™
AIR / ELECTRIC UTILITY BOX**

Simply install the PowerStation™ on your surface-mount lift or nearby wall, bring in your air and electric service, and watch the results. You'll see improved performance and a more organized shop. No longer worry about trip hazards associated with cords and hoses stretched for great distances across your floor.

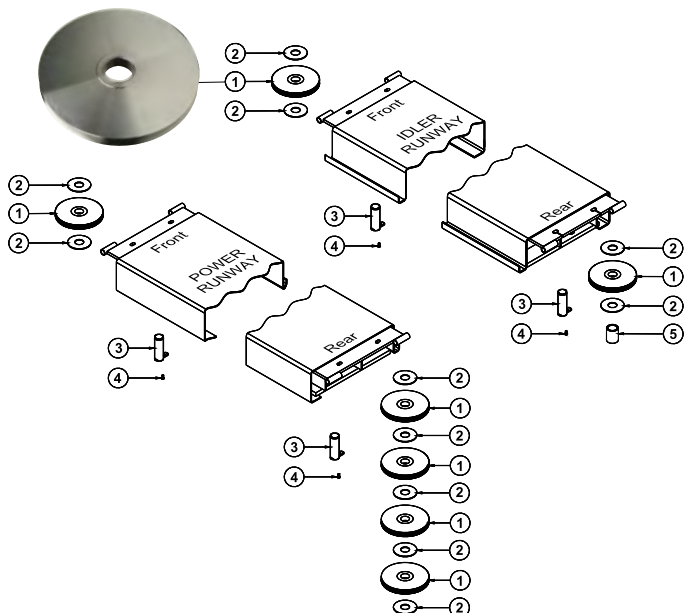


DIRECTFIT™

For Model 40000 Closed Front (12,000 lb. capacity)

Item	SVI part #	OEM #	Req	Description
1	call for details	40391	1	Flat Deck Power Runway (40XF)
	call for details	40381	1	Flat Deck Power Runway (40EF)
	call for details	40396	1	Alignment Power Runway (40XA)
	call for details	40386	1	Alignment Power Runway (40EA)
2	call for details	40393	1	Flat Deck Idler Runway (40XF)
	call for details	40383	1	Flat Deck Idler Runway (40EF)
	call for details	40398	1	Alignment Idler Runway (40XA)
	call for details	40388	1	Alignment Idler Runway (40EA)
3	call for details	40449-P	1	Power Column Assembly
4	call for details	40449-I	3	Idler Column Assembly
5	Power Units Available and In-Stock at SVI—Call to order 800-321-8173			
	call for details	31368-19	1	Power Unit 1 PH, 60 Hz, 208-230VAC
	call for details	31355-19	1	Power Unit 3 PH, 230/460VAC
6	call for details	40460	1	Cross Beam Assembly (40x, 40E, 40S)
	call for details	40460N	1	Cross Beam Assembly (40N)
7	call for details	40161	2	Entrance Ramp
8	call for details	40265	2	Wheel Chock
9	call for details	B40083	8	M12 x 35mm Lg. Hex. Flg. Hd. Capscrew
10	call for details	40266	2	Wheel Stop
11	BH-7234-415	44011	1	Hydraulic Cylinder
12	BH-7234-402	40082	1	Clevis Pin
13	F-CP-125-1500	40126	5	1/8 x 1-1/2" Lg. Cotter Pin
14	F-A3105-6-6	A1121	1	Union Adpt. #6 O-Ring x #6 JIC 37° Flare
15	call for details	40349	1	Hyd. Hose - Female #6 JIC Both Ends
16	F-A3405-6-6	16167	1	90° Adpt. Elbow - Male #6 O-Ring x Male #6 JIC
17	call for details	40165	2	Ramp Hinge Pin
18	call for details	40085	6	1/4-20 NC Hex Flange Nut
19	F-PH-0250-20-0750	31062	6	1/4-20NC x 3/4" Lg. Pan Head Screw
20	call for details	40168	2	Ramp Slide
21	call for details	40461	1	Rear Cross Beam Weld
22	BH-7234-404	B40116	4	Sheave Pin Assembly (Cross Beam)
	BH-7234-404G	B40116-x	4	Greaseable Sheave Pin

Item	SVI part #	OEM #	Req	Description
23	call for details	B31188	16	M8x16mm Lg. Hex Socket Head Capscrew
24	BH-7234-408	40118	4	Slide Block
25	call for details	40127	4	Lock Pivot Pin
26	F-CP-125-1500	40126	8	1/8" x 1-1/2" Lg. Cotter Pin
27	call for details	40123	4	Clevis Pin
28	BH-7234-410	40141	4	Air Cylinder Assembly
29	F-FW-0750-SAE	40128	16-28	3/4" Washer-(1.50D x .13 Thick Nominal)
30	BH-7234-407	40131	4	Primary Lock Pawl
31	call for details	40132	4	Spacer Bushing
32	call for details	40137	2	Retaining Ring
33	BH-7517-24	40135	2	Roller
34	BH-7530-95	40134	2	Slack Cable Latch
35	BH-7234-399	40139	8	Extension Spring
36	call for details	40124	4	Hair Pin Cotter Pin
37	BH-7233-55	40144	2	1/4-28NF Hex Jam Nut
38	F-HN-0250-28	40467	2	1/4-28NF Hex Nut
39	F-HC-0250-28-1062	40466	2	1/4-28NF x 1-1/16" Lg. Hex Head Bolt
40	BH-7232-76	40053	4	1/8" Thick Bearing
41	BH-7232-71	40050	10	Sheave
42	call for details	40120	8	1/4-20NC x 1/2" Lg. Self Tapping Screw
43	call for details	40122	2	Rubber Sheave Guard (Rear)
44	call for details	40211	196	3/4" Dia. Ball
45	call for details	40525	2	Ball Retainer Assembly
46	call for details	40506	2	Work Step
47	call for details	40291	4	Guide Bar
48	call for details	40295	2	Handle
49	call for details	40296	2	Drop-In Spacer
50	F-HC-0010-24-1000	40299	12	#10-24 x 1" Soc. Hd. Capscrew
51	F-NL-0010-24	055-127	12	#10-24 Hex Lock Nut
52	call for details	40530	2	Rear Slip Plate Weldment
53	BH-7231-39	40220	4	Pin Assembly
54	BH-7069-K		1	PowerStation Air/Electric Utility Box



**BH-7517-24
(1) Roller**

Item	SVI part #	OEM #	Req	Description
1	BH-7232-71	40050	10	Sheave
2	BH-7232-76	40053	11	1/8" Thick Bearing
3	BH-7232-72	B40055	4	Sheave Pin Assembly (Runway)
SVI also sells Greaseable Sheave Pins—Just ask!!				
4	call for details	B31188	16	M8 x 16mm Lg. Hex Locking Flange Head Capscrew
5	call for details	40438-R	1	Runway Sheave Spacer



**BH-7232-76 (Ref 40053)
1/8" Thick Bearing**

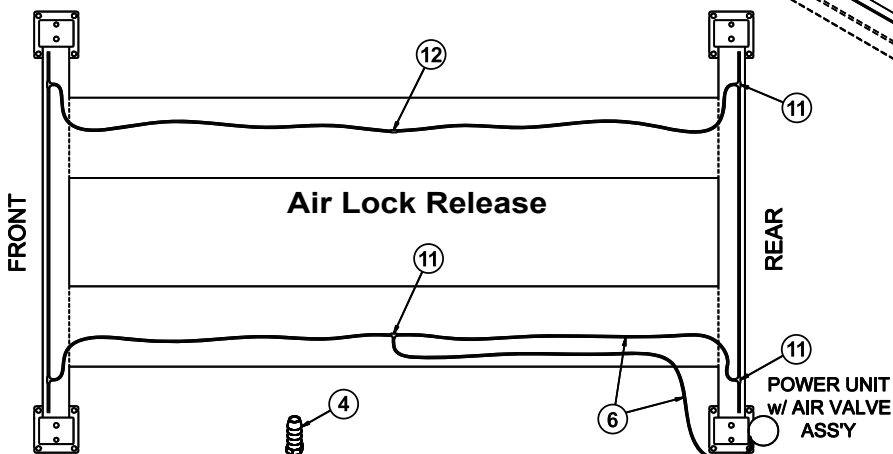
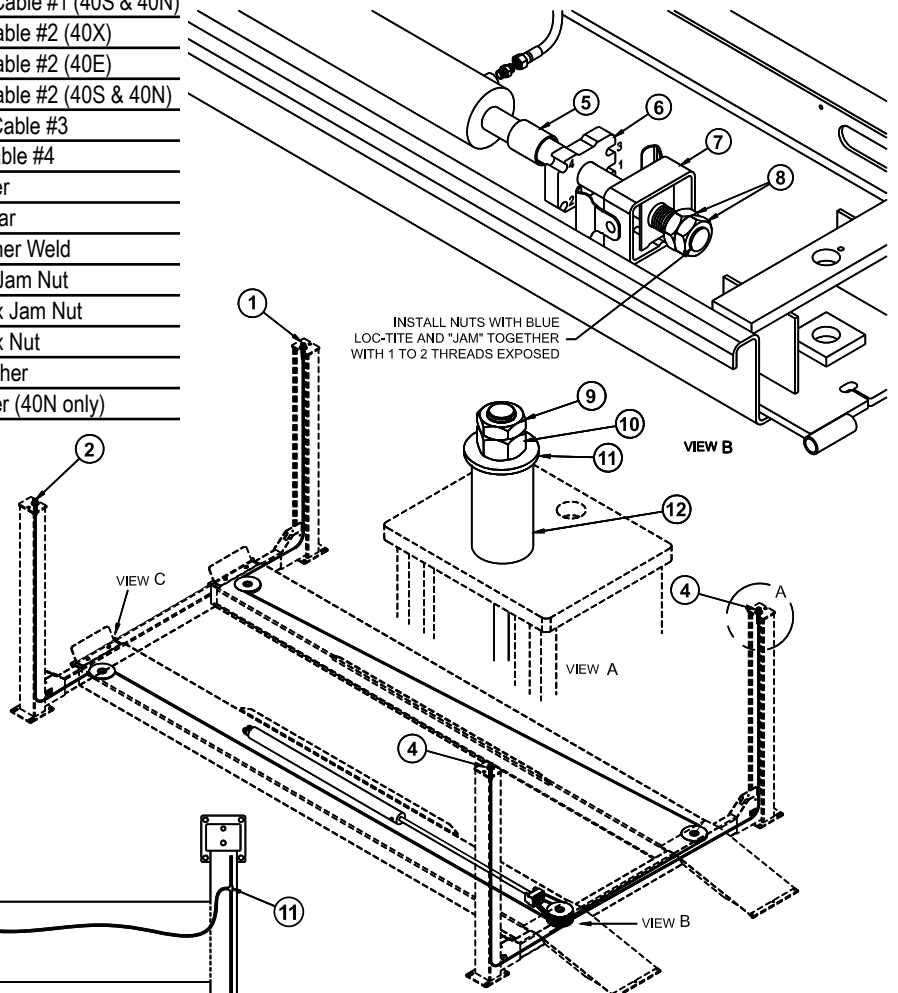


DIRECTFIT™

For Model 40000 Closed Front (12,000 lb. capacity)

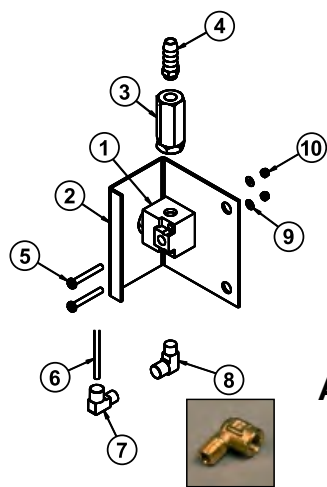
Item	SVI part #	OEM #	Req	Description
1	BH-7232-87	40372-X1	1	Right Front Cable #1 (40X)
	BH-7232-85	40372-E1	1	Right Front Cable #1 (40E)
	BH-7232-83	40372-S1	1	Right Front Cable #1 (40S & 40N)
2	BH-7232-88	40372-X2	1	Left Front Cable #2 (40X)
	BH-7232-86	40372-E2	1	Left Front Cable #2 (40E)
	BH-7232-84	40372-S2	1	Left Front Cable #2 (40S & 40N)
3	BH-7232-81	40472-3	1	Right Rear Cable #3
4	BH-7232-82	40472-4	1	Left Rear Cable #4
5	call for details	40438-R	1	2-1/8" Spacer
6	call for details	40473	1	Cable Pull Bar
7	call for details	40474	1	Cable Retainer Weld
8	F-JN-1375-12	44015	2	1-3/8-12NF Jam Nut
9	F-JN-0875-09	40148	4	7/8-9NC Hex Jam Nut
10	F-HN-0875-09	40147	4	7/8-9NC Hex Nut
11	F-FW-0875-SAE	40149	4	7/8 Flat Washer
12	call for details	40186	4	Cable Spacer (40N only)

Cables



Air Lock Release

Item	SVI part #	OEM #	Req	Description
1	BH-7228-73	37016	1	Lock Release Air Valve Switch
2	BH-7229-87	37015	1	Button Valve Bracket
3	call for details	40091	1	In-Line Air Filter
4	BH-7229-89	37021	1	Hose Barb
5	F-PH-0008-32-1250	37022	2	#8-32 x 1-1/4" Lg. Pan Hd. Screw
6	call for details	00901	60ft.	1/8" Dia. Plastic Air Line
7	BH-7228-78	37019	1	1/8" NPTM x 1/8" Push-Lock 90° Elbow
8	BH-7229-88	37020	1	1/8" NPT Street Elbow
9	call for details	37024	2	#8 Lock Washer
10	call for details	37023	2	#8-32 Hex Nut
11	BH-7228-77	37032	5	1/8" Union Tee
12	call for details	40445	1	1/8" Straight Union



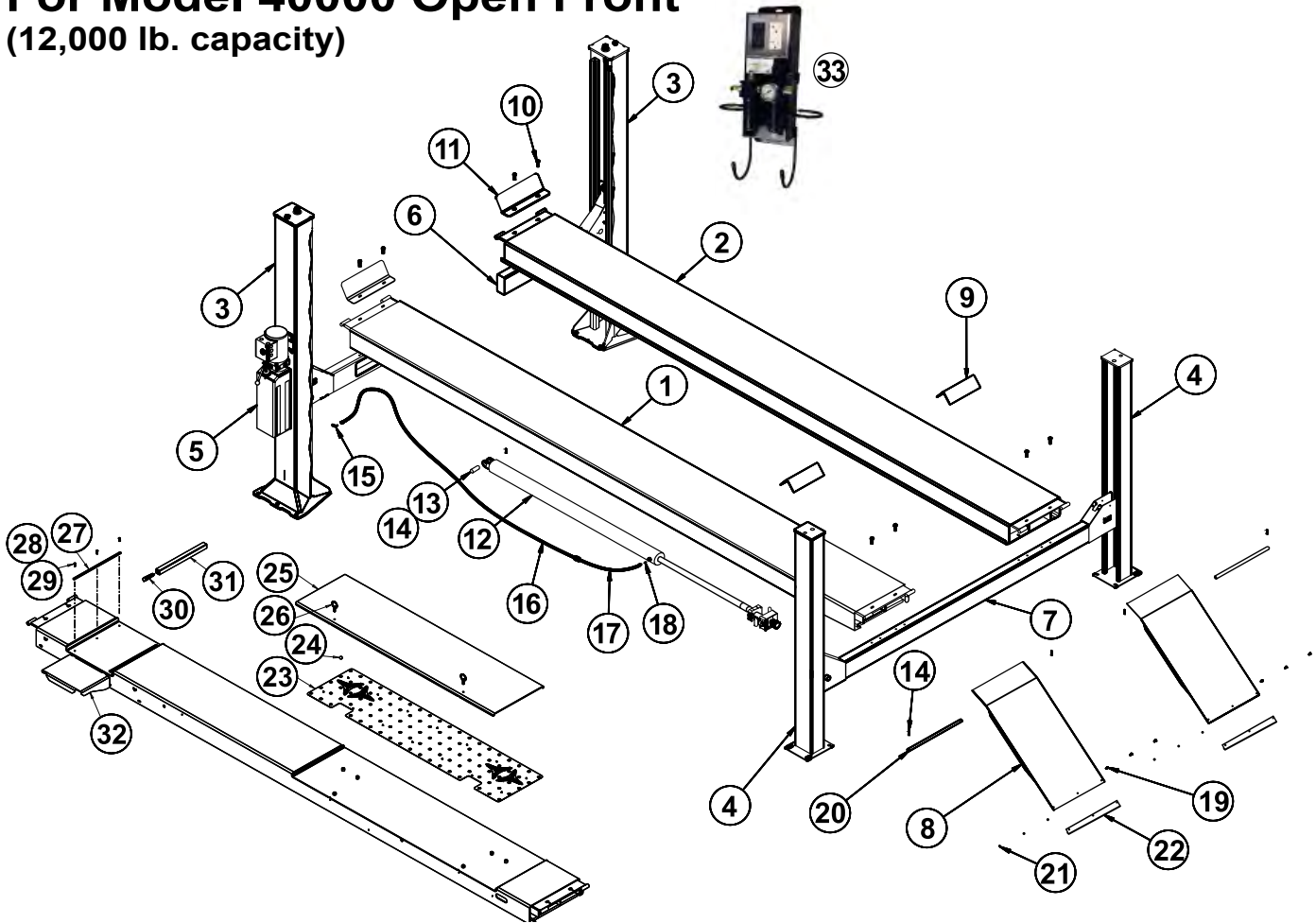
**Lock Release
Air Valve Switch
BH-7228-73**





DIRECTFIT™

**For Model 40000 Open Front
(12,000 lb. capacity)**



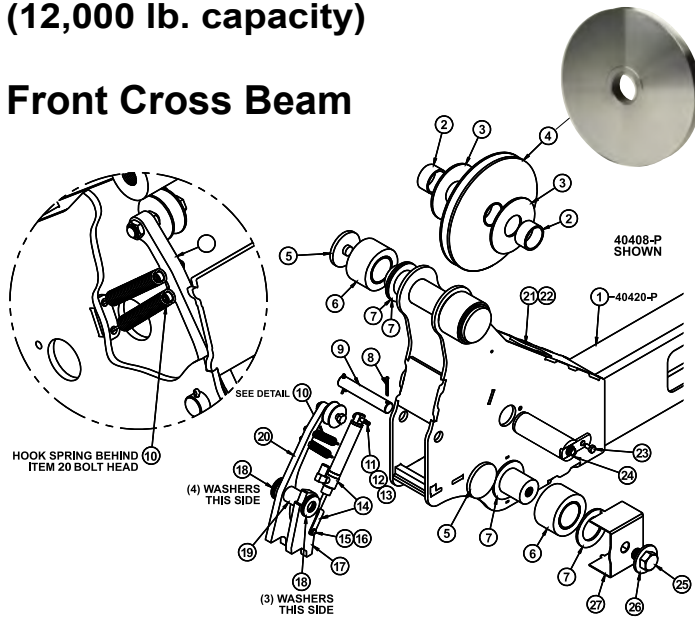
Item	SVI part #	OEM #	Req	Description
1	call for details	40391	1	Flat Deck Power Runway (40XFO)
	call for details	40381	1	Flat Deck Power Runway (40EFO)
	call for details	40396	1	Alignment Power Runway (40XAO)
	call for details	40386	1	Alignment Power Runway (40EAO)
2	call for details	40393	1	Flat Deck Idler Runway (40XFO)
	call for details	40383	1	Flat Deck Idler Runway (40EFO)
	call for details	40398	1	Alignment Idler Runway (40XAO)
	call for details	40388	1	Alignment Idler Runway (40EAO)
3	call for details	40409	2	Front Column Assembly
4	call for details	40449-I	2	Rear Column Assembly
5	Power Units Available and In-Stock at SVI—Call to order 800-321-8173			
	call for details	31368-19	1	Power Unit 1PH, 60 Hz, 208-230VAC
6	call for details	40408-P	1	Front Power Cross Beam Assembly
	call for details	40408-I	1	Front Idler Cross Beam Assembly
7	call for details	40460	1	Rear Cross Beam Assembly
8	call for details	40161	2	Entrance Ramp
9	call for details	40265	2	Wheel Chock
10	call for details	B40083	8	M12x35mm Lg. Hex Flg. Hd. Capscrew
11	call for details	40266	2	Wheel Stop
12	BH-7234-415	44011	1	Hydraulic Cylinder
--	BH-7234-415SK	11425		Seal Kit for 44011 Model 40,000
13	BH-7234-402	40082	1	Clevis Pin
14	F-CP-0125-1500	40126	5	1/8 x 1-1/2" Lg. Cotter Pin
15	F-A3405-6-6	16167	1	90° Adapter Elbow - Male #6 O-Ring x Male #6 JIC

16	call for details	40349	1	Hyd. Hose-Female #6 JIC Both Ends
17	call for details	39101-024	1	Hydraulic Hose Ext. - 2 ft. (Model 40E)
	call for details	39101-048	1	Hydraulic Hose Ext. - 4 ft. (Model 40X)
18	F-A3105-6-6	A1121	1	Union Adapter #6 O-Ring x #6 JIC 37° Flare
19	F-PH-0250-20-0750	31062	6	1/4-20NC x 3/4" Lg. Pan Head Screw
20	call for details	40165	2	Ramp Hinge Pin
21	call for details	40085	6	1/4-20NC Hex Flange Nut
22	call for details	40168	2	Ramp Slide
23	call for details	40525	2	Ball Retainer Assembly
	call for details	40526	2	Ball Retainer Sheet
	call for details	40527	28	Stand-Off Pin
	call for details	40528	28	Stand-Off Spacer (Grommet)
	call for details	40221	24	1/2" Dia. Extension Spring
	F-ITLW-0875	40219	8	7/8" Internal Tooth Lock Washer
24	call for details	40211	196	3/4" Dia. Ball
25	call for details	40530	2	Rear Slip Plate Weldment
26	BH-7231-39	40220	4	Pin Assembly
27	call for details	40291	4	Guide Bar
28	F-HC-0010-24-1000	40299	12	#10-24 x 1" Soc. Hd. Cap Screw
29	F-HN-0010-24	055-127	12	#10-24 Hex Lock Nut
30	call for details	40295	2	Handle
31	call for details	40296	2	Drop-In Spacer
32	call for details	40506	2	Work Step
33	BH-7069-K		1	PowerStation Air/Electric Utility Box

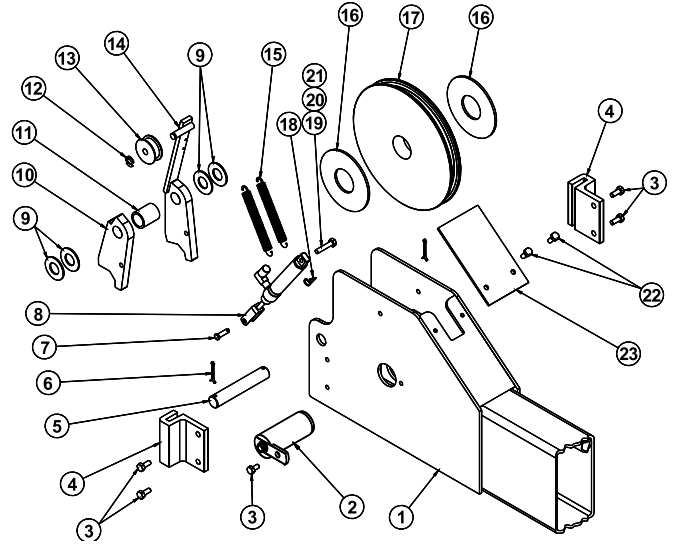
P
a
g
e
84

For Model 40000 Open Front (12,000 lb. capacity)

Front Cross Beam



Rear Cross Beam



Item	SVI part #	OEM #	Req	Description
1	call for details	40420-P	1	Cross Beam Weld (Power Side)
	call for details	40420-I	1	Cross Beam Weld (Idler Side)
2	call for details	40438-X	4	Sheave Spacer Bushing (Cross Beam)
3	BH-7232-76	40053	11	1/8" Thick Bearing
4	BH-7232-71	40050	10	Sheave
5	call for details	40425	8	Wear Button
6	BH-7233-67	40430	8	Roller Wheel Assembly
7	BH-7233-66	40426	16	Thrust Bearing
8	F-CP-0125-1500	40126	8	1/8" x 1-1/2" Lg. Cotter Pin
9	call for details	40127	4	Lock Pivot Pin
10	BH-7234-399	40139	8	Extension Spring
11	F-HC-0250-28-1062	40466	2	1/4-28NF x 1-1/16" Lg. Hex Head Bolt
12	F-HN-0250-28	40467	2	1/4-28NF Hex Nut
13	BH-7233-55	40144	2	1/4-28NF Hex Jam Nut
14	BH-7234-410	40141	4	Air Cylinder Assembly
15	call for details	40123	4	Clevis Pin
16	call for details	40124	4	Hair Pin Cotter Pin
17	BH-7234-407	40131	4	Primary Lock Pawl
18	call for details	40128	16-28	3/4" Washer-(1.5 O.D. x .13 Thick Nominal)
19	call for details	40132	4	Spacer Bushing
20	call for details	40440	2	Slack Lock Assembly
21	call for details	40443	2	Metal Sheave Guard (Front)
22	call for details	40120	8	1/4-20NC x 1/2" Lg. Self Tapping Screw
23	call for details	B31188	16	M8 x 16mm Lg. Hex Locking Flange Head Cap Screw
24	BH-7234-404	B40116	4	Sheave Pin (Cross Beam)
	BH-7234-404G	B40116-x	4	Greaseable Sheave Pin
25	F-HC-0750-10-1000	40433	4	3/4-10NC x 1" Lg. Hex Head Bolt
26	call for details	40434	4	3/4" Plain Washer (13/16 I.D. x 2" O.D.)
27	BH-7233-213	40435	4	Roller Cover

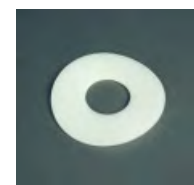
Item	SVI part #	OEM #	Req	Description
1	call for details	40461	1	Rear Cross Beam Weld
2	BH-7234-404	B40116	4	Sheave Pin (Cross Beam)
	BH-7234-404G	B40116-x	4	Greaseable Sheave Pin
3	call for details	B31188	16	M8 x 16mm Lg. Hex Locking Flange Head Cap Screw
4	BH-7234-408	40118	4	Slide Block
5	call for details	40127	4	Lock Pivot Pin
6	F-CP-125-1500	40126	8	1/8" x 1-1/2" Lg. Cotter Pin
7	call for details	40123	4	Clevis Pin
8	BH-7234-410	40141	4	Air Cylinder Assembly
9	call for details	40128	16-28	3/4" Washer-(1.5 O.D. x .13 Thick Nominal)
10	BH-7234-407	40131	4	Primary Lock Pawl
11	call for details	40132	4	Spacer Bushing
12	call for details	40137	2	Retaining Ring
13	BH-7517-24	40135	2	Roller
14	BH-7530-95	40134	2	Slack Cable Latch
15	BH-7234-399	40139	8	Extension Spring
16	BH-7232-76	40053	4	1/8" Thick Bearing
17	BH-7232-71	40050	10	Sheave
18	call for details	40124	4	Hair Pin Cotter Pin
19	BH-7233-55	40144	2	1/4-28NF Hex Jam Nut
20	F-HN-0250-28	40467	2	1/4-28NF Hex Nut
21	F-HC-0250-28-1062	40466	2	1/4-28NF x 1-1/16" Lg. Hex Head Bolt
22	call for details	40120	8	1/4-20NC x 1/2" Lg. Self Tapping Screw
23	call for details	40122	2	Rubber Sheave Guard (Rear)



BH-7234-410
(Ref 40141)
Air Cylinder Assembly



BH-7233-67
Roller Assembly



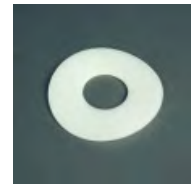
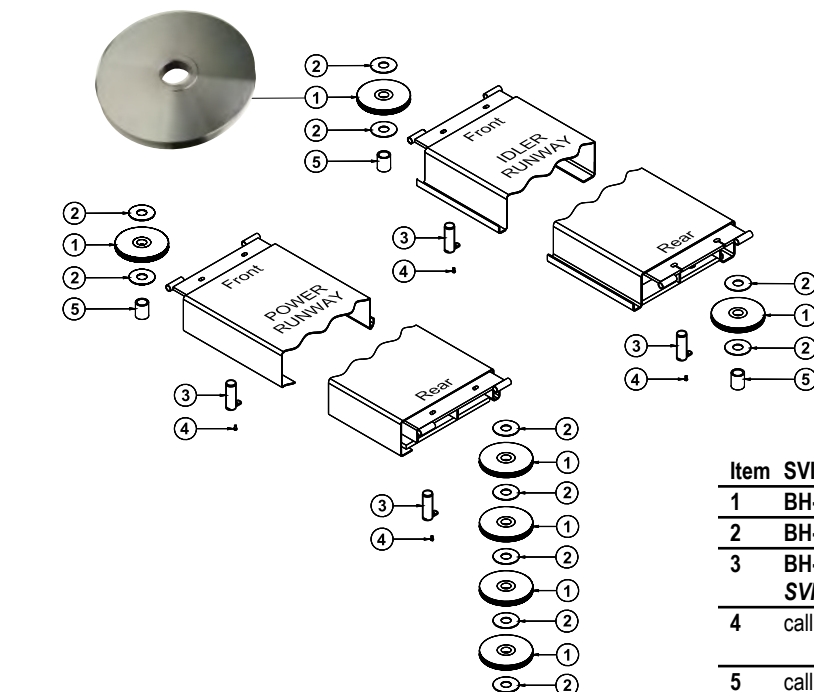
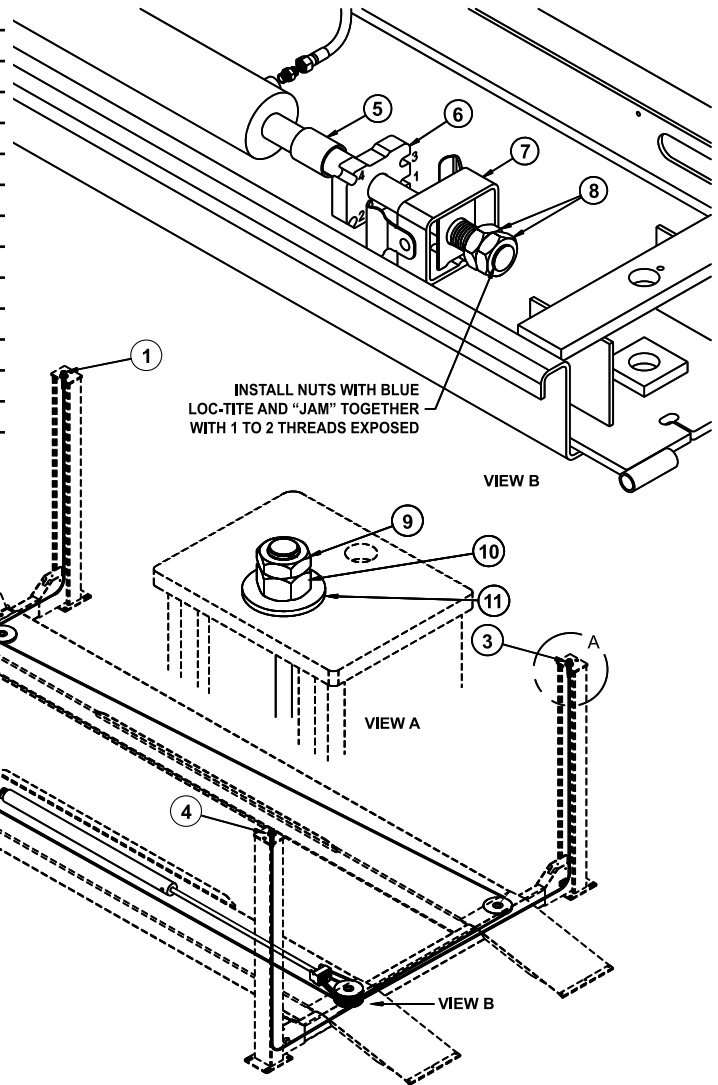
BH-7232-76
(Ref 40053)
1/8" Thick Bearing



DIRECTFIT™

For Model 40000 Open Front (12,000 lb. capacity)

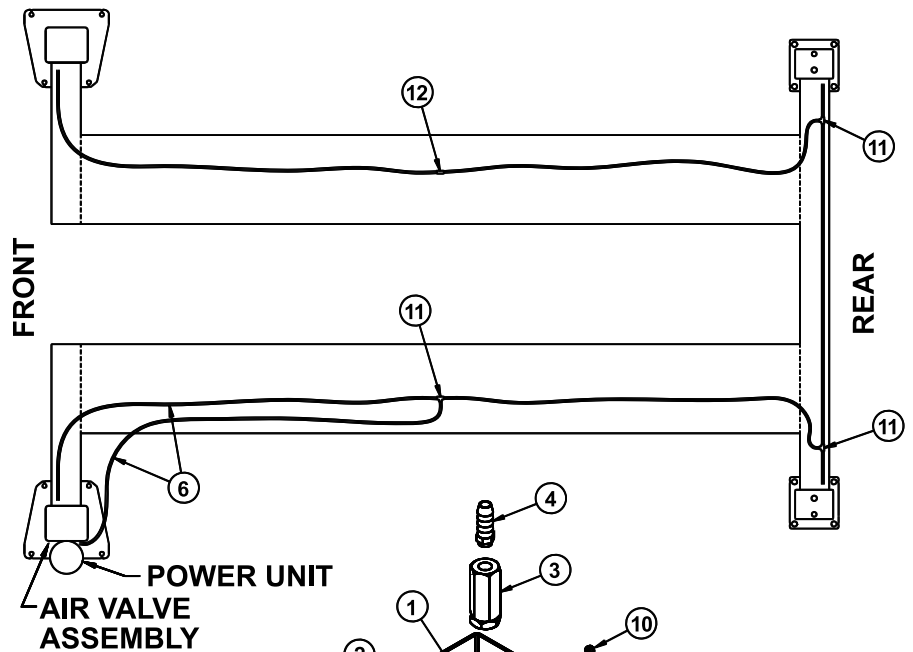
Item	SVI part #	OEM #	Req	Description
1	BH-7232-79	40472-X1	1	Right Front Cable #1 (40X)
	BH-7232-77	40472-E1	1	Right Front Cable #1 (40E)
2	BH-7232-80	40472-X2	1	Left Front Cable #2 (40X)
	BH-7232-78	40472-E2	1	Left Front Cable #2 (40E)
3	BH-7232-81	40472-3	1	Right Rear Cable #3
4	BH-7232-82	40472-4	1	Left Rear Cable #4
5	call for details	40438-R	1	2-1/8" Spacer
6	call for details	40473	1	Cable Pull Bar
7	call for details	40474	1	Cable Retainer Weld
8	F-JN-1375-12	44015	2	1-3/8-12NF Jam Nut
9	F-JN-0875-09	40148	4	7/8-9NC Hex Jam Nut
10	F-HN-0875-09	40147	4	7/8-9NC Hex Nut
11	call for details	40149	4	7/8 Flat Washer



BH-7232-76
(Ref 40053)
1/8" Thick Bearing

Item	SVI part #	OEM #	Req	Description
1	BH-7232-71	40050	10	Sheave
2	BH-7232-76	40053	11	1/8" Thick Bearing
3	BH-7232-72	B40055	4	Sheave Pin Weld (Runway)
<i>SVI also sells Greaseable Sheave Pins—Just ask!!</i>				
4	call for details	B31188	16	M8 x 16mm Lg. Hex Locking Flange Head Cap Screw
5	call for details	40438-R	3	Runway Sheave Spacer

For Model 40000 Open Front (12,000 lb. capacity)



Item	SVI part #	OEM #	Req	Description
1	BH-7228-73	37016	1	Air Valve
2	BH-7229-87	37015	1	Button Valve Bracket
3	call for details	40091	1	In-Line Air Filter
4	BH-7229-89	37021	1	Hose Barb
5	F-MS-0008-32-1250	37022	2	#8-32 x 1-1/4" Lg. Pan Hd. Screw
6	call for details	00901	60 ft.	1/8" Dia. Plastic Air Line
7	BH-7228-78	37019	1	1/8" NPTM x 1/8" Push Lock 90° Elbow
8	BH-7229-88	37020	1	1/8" NPT Street Elbow
9	F-LW-0008	37024	2	#8 Lock Washer
10	F-HN-0008-32	37023	2	#8-32 Hex Nut
11	BH-7228-77	37032	3	1/8" Union Tee
12	call for details	40445	1	1/8" Straight Union



**Lock Release
Air Valve Switch
BH-7228-73**
(Ref 37016)

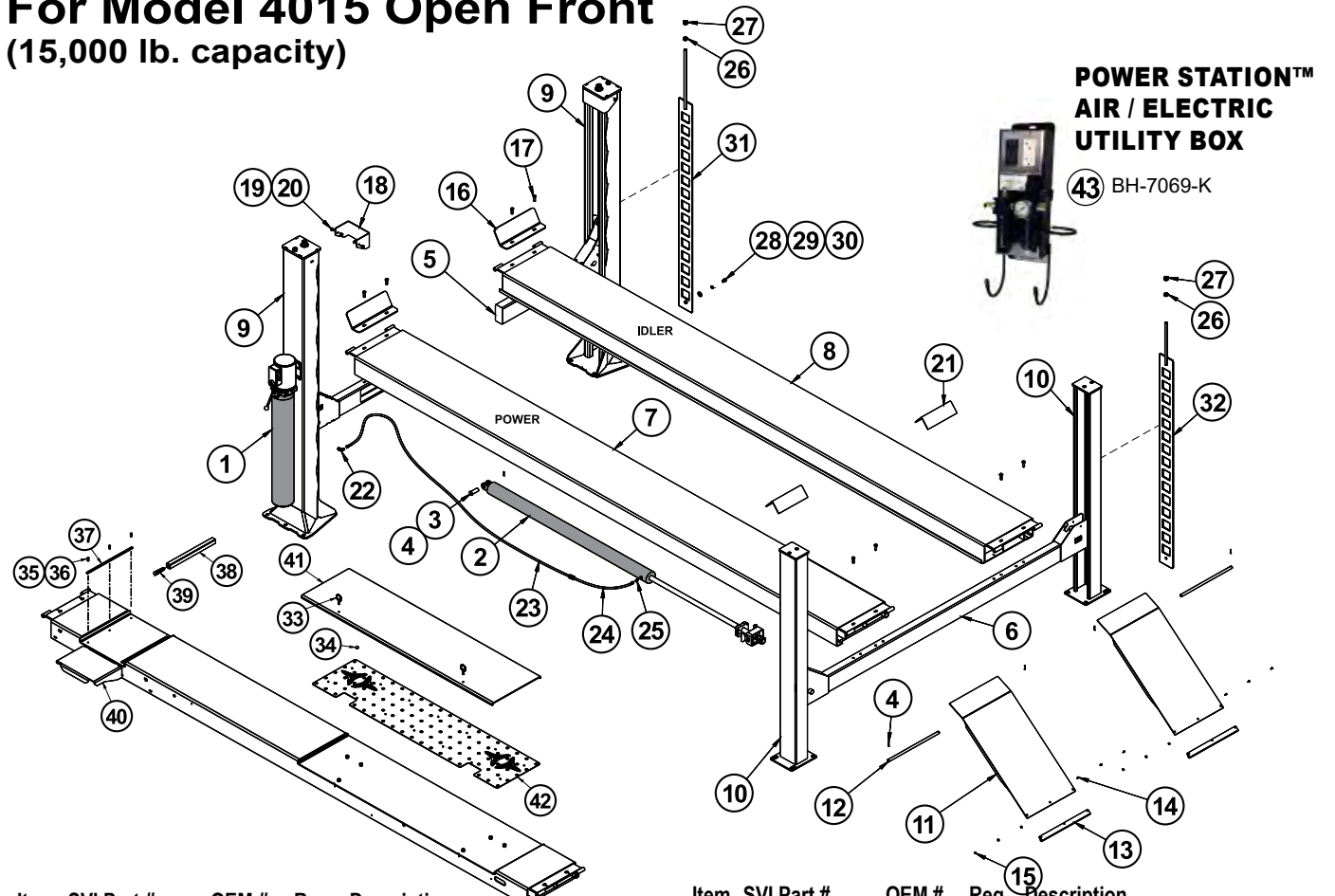
**1/8" NPT
Street Elbow
BH-7229-88**
(Ref 37020)





DIRECTFIT™

**For Model 4015 Open Front
(15,000 lb. capacity)**



Item	SVI Part #	OEM #	Req	Description
1	Power Units Available and In-Stock at SVI—Call to order 800-321-8173			
	Call to order 12119	1		Power Unit 1 Phase, 60Hz, 208-230VAC
	Call to order 12089	1		Power Unit 3 Phase, 230/460VAC
	Call for details 40611	1		Hydraulic Cylinder
--	BH-7234-425	40611-SK-G		Seal Kit for 40611 thru March 2012
--	BH-7234-426	40611-SK-X		Seal Kit for 40611 May 2012 thru July 2014
--	BH-7234-427	40611-SK-X-G		Seal Kit for 40611 from July 2014
3	Call for details 40082	1		Clevis Pin
4	F-CP-125-1500	40126	5	Cotter Pin
5	Call for details 40608-P	1		Front Power Cross Beam Assembly
	Call for details 40608-I	1		Front Idler Cross Beam Assembly
6	Call for details 40660	1		Rear Cross Beam Assembly
7	Call for details 40691	(1)		Flat Deck Power Runway Weld (4015XFO)
	Call for details 40681	(1)		Flat Deck Power Runway Weld (4015EFO)
	Call for details 40696	(1)		Alignment Power Runway Weld (4015XAO)
	Call for details 40686	(1)		Alignment Power Runway Weld (4015EAO)
8	Call for details 40693	(1)		Flat Deck Idler Runway Weld (4015XFO)
	Call for details 40683	(1)		Flat Deck Idler Runway Weld (4015EFO)
	Call for details 40698	(1)		Alignment Idler Runway Weld (4015XAO)
	Call for details 40688	(1)		Alignment Idler Runway Weld (4015EAO)
9	Call for details 40409	2		Front Column Assembly
10	Call for details 40654-I	2		Rear Column Assembly
11	Call for details B40161	2		Entrance Ramp
12	Call for details 40165	2		Ramp Hinge Pin
13	Call for details 40168	2		Ramp Slide
14	Call for details 31062	6		1/4"-20NC x 3/4" Long Pan Head Screw
15	Call for details 40085	6		1/4"-20NC Hex Flange Nut

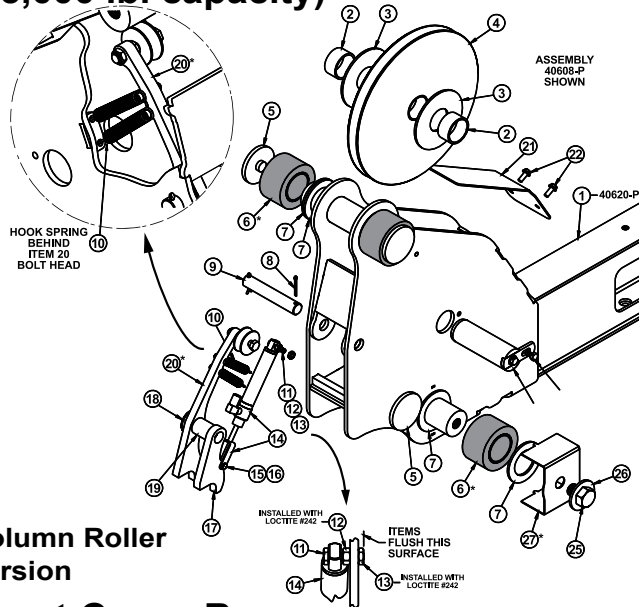
Item	SVI Part #	OEM #	Req	Description
16	BH-7233-175	40266	2	Wheel Stop
17	Call for details B40083	8		M12 x 35 mm Lg Hex Flg. HD Capscrew
18	Call for details 40413	2		Column Shroud
19	F-HFS-0375-16-0750	A1153	4	3/8"-16NC x 3/4 Hex Flange Head Capscrew
20	Call for details A1154	4		3/8"-16NC Hex Flange Nut
21	Call for details 40265	2		Wheel Chock
22	Call for details 16167	1		90° Adapter Elbow
23	Call for details 40349	1		Hydraulic Hose
24	Call for details 39101-024	(1)		Hydraulic Hose Extension - 2 ft.
24	Call for details 39101-048	(1)		Hydraulic Hose Extension - 4 ft.
25	Call for details A2128	1		45° Elbow
26	F-JN-0750-10	40130	4	3/4"-10NC Hex Jam Nut
27	F-HN-0750-10	40129	4	3/4"-10NC Hex Nut
28	F-HC-0500-13-0750	31111	2	1/2"-13NC x 3/4" Hex Head Cap Screw
29	F-LW-0500	Z31013	2	1/2" Lock Washer
30	Call for details Z31014	2		1/2" Flat Washer
31	Call for details 40455	2		Ladder Weld (Open End)
32	Call for details 40452	2		Ladder Weld (Closed End)
33	BH-7231-39	40220	4	Pin Assembly
34	Available—Call	40211	196	3/4" Dia. Ball
35	F-SC-0010-24-1000	40299	12	Socket Head Cap Screw
36	Call for details 055-127	12		#10-24 Hex Lock Nut
37	Call for details 40291	4		Guide Bar
38	Call for details 40296	2		Drop-In Spacer
39	Call for details 40295	2		Handle
40	Call for details 40506	2		Work Step
41	Call for details 40530	2		Rear Slip Plate Weldment
42	Call for details 40525	2		Ball Retainer Assembly

**POWER STATION™
AIR / ELECTRIC
UTILITY BOX**

43 BH-7069-K



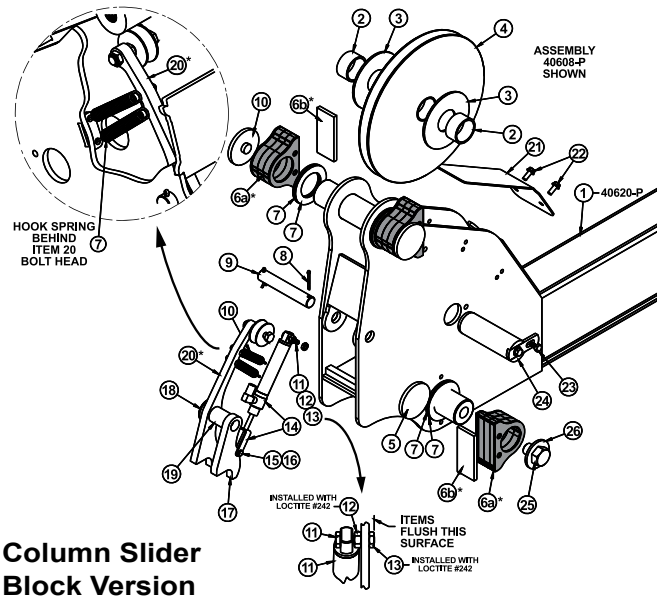
For Model 4015 Open Front (15,000 lb. capacity)



Column Roller
Version

Front Cross Beam

Item	SVI Part #	OEM #	Req	Description
1	call for details	B40620-P	1	Cross Beam Weld (Power Side)
	call for details	B40620-I	1	Cross Beam Weld (Idler Side)
2	call for details	40438-X	8	Sheave Spacer Bushing (Cross Beam)
3	BH-7232-76	40053	19	1/8" Thick Bearing
4	BH-7234-419	B40650	11	Sheave
5	call for details	40425	8	Wear Button
6*	BH-7233-67	40430	8	Roller Wheel Assembly
ALT*	BH-7233-85K	40430W-KIT		Slider Block Conversion Kit (Includes 8 each of 6a Block Holder and 6b Slider Block)
6a*	BH-7233-85	40430W	8	Block Holder
6b*	BH-7233-86	40430W-3	8	Slider Block
7	BH-7233-66	40426	16	Thrust Bearing
8	F-CP-0125-1500	40126	8	1/8" x 1-1/2" Lg. Cotter Pin
9	call for details	40127	4	Lock Pivot Pin
10	BH-7234-399	40139	8	Extension Spring
11	F-HC-0250-28-1062	40466	2	1/4-28NF x 1-1/16" Lg. Hex Head Bolt
12	F-HN-0250-28	40467	2	1/4-28NF Hex Nut
13	BH-7233-55	40144	2	1/4-28NF Hex Jam Nut
14	BH-7234-410	40141	4	Air Cylinder Assembly
15	call for details	40123	4	Clevis Pin
16	call for details	40124	4	Hair Pin Cotter Pin
17	call for details	40625	4	Primary Lock Pawl
18	call for details	40128	4	3/4" Washer (1.5 O.D. x .13 Thick Nominal)
19	call for details	40132	4	Spacer Bushing
20*	call for details	40440	4	Slack Lock Assembly
20*	BH-7233-87	40447		Slack Lock Pawl Assembly
21	call for details	40626	4	Metal Sheave Guard (Front)
22	call for details	40120	8	1/4-20NC x 1/2" Lg. Self Tapping Screw
23	call for details	B31188	16	M8 x 16mm Lg. Hex Locking Flange Head Cap Screw
24	BH-7234-404	B40116	4	Sheave Pin (Cross Beam)
	BH-7234-404G	B40116-x	4	Greaseable Sheave Pin
25	F-HC-0750-10-1000	40433	4	3/4-10NC x 1" Lg. Hex Head Bolt
26	call for details	40434	4	3/4" Plain Washer (13/16 I.D. x 2" O.D.)
27*	BH-7233-213	40435	4	Roller Cover



Column Slider
Block Version



Slack Lock
Pawl Assembly
BH-7233-87
(Ref 40447)



Slider Block Conversion Kit for 4015

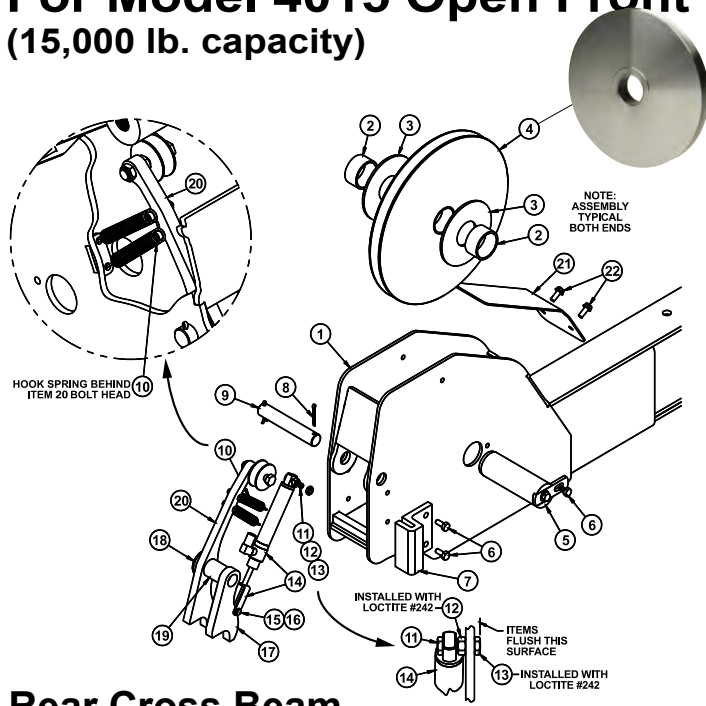
Corrects "hopping" issues with Challenger 4015 models beginning with serial number 1402-103066 thru any 4015 lift made thru 2014.

SVI Part #	Ref #	Description
BH-7233-85K		Slider Block Conversion Kit for 4015 Includes (8) Block Holders with Slider Blocks
BH-7233-85	40430W	Block Holder (1)
BH-7233-86	40430W-3	Slider Block (1)

*Verify whether your lift has column rollers or sliders.

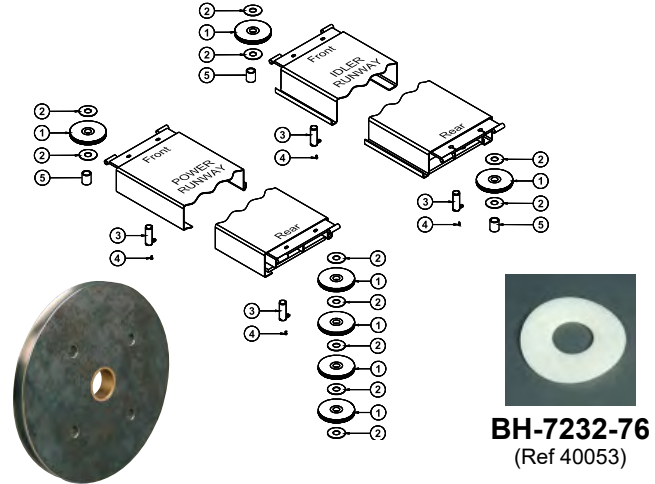


For Model 4015 Open Front (15,000 lb. capacity)



Rear Cross Beam

Item	SVI part #	OEM #	Req	Description
1	call for details	B40661	1	Rear Cross Beam Weld
2	call for details	40438-X	8	Sheave Spacer Bushing
3	BH-7232-76	40053	19	1/8" Thick Thrust Bearing
4	BH-7234-419	B40650	11	Sheave
5	BH-7233-193	B40116	4	Sheave Pin Assembly (Cross Beam)
6	call for details	B31188	18	Hex Locking Flange Head Cap Screw
7	BH-7234-408	B40118	4	Slider Block
8	F-CP-125-1500	40126	8	Cotter Pin
9	call for details	40127	4	Lock Pivot Pin
10	BH-7234-399	40139	8	Extension Spring
11	F-HC-0250-28-1062	40466	4	Hex Head Bolt
12	F-HN-0250-48	40467	4	Hex Nut
13	F-JN-0250-28	40144	4	Hex Jam Nut
14	BH-7234-410	40141	4	Air Cylinder Assembly
15	F-CV-250-1000	40123	4	Clevis Pin
16	call for details	40124	4	Hair Pin Cotter Pin
17	call for details	40625	4	Primary Lock Pawl
18	call for details	40128	4	3/4" Washer (1.5 OD x .13 thick nominal)
19	call for details	40132	4	Spacer Bushing
20	BH-7233-87	40447	4	Slack Lock Assembly
21	call for details	40626	4	Sheave Guard
22	call for details	40120	8	1/4"-20NC x 1/2" Lg Self Tapping Screw



BH-7234-419
(Ref B40650, 40650)

Runway Sheaves

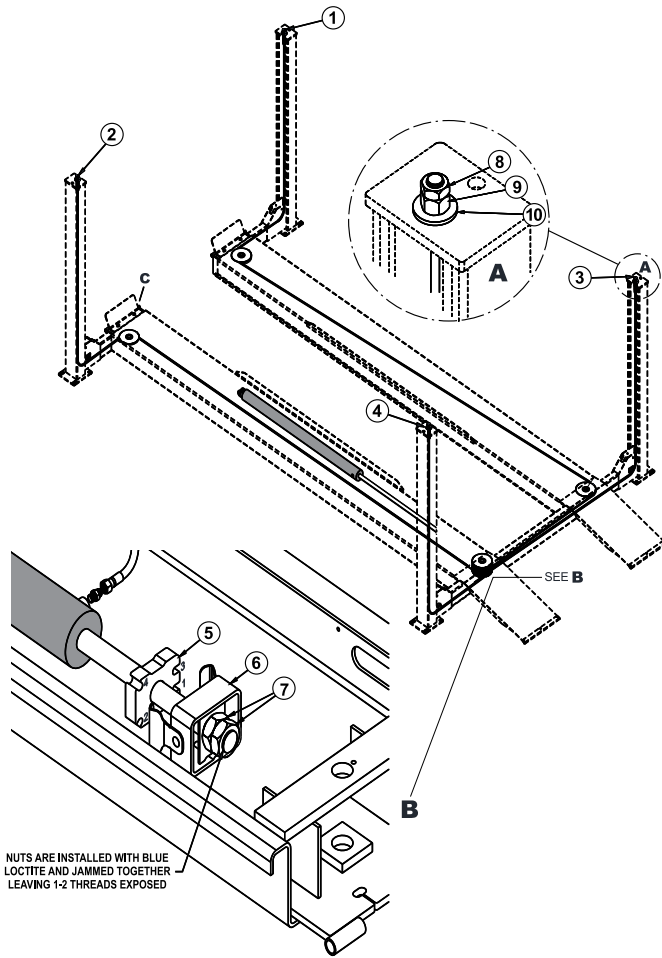
Item	SVI part #	OEM #	Req	Description
1	BH-7234-419	B40650	11	Sheave
2	BH-7232-76	40053	19	1/8" Thick Bearing
3	BH-7232-72	B40055	4	Sheave Pin Assembly (Runway)
SVI also sells Greaseable Sheave Pins—Just ask!!				
4	call for details	B31188	16	M8 x 16mm Lg. Hex Locking Flange Head Capscrew
5	call for details	40438-R	1	Runway Sheave Spacer

Sheave Pin for Challenger Lifts
BH-7232-72 (Ref B40055) **Standard**

Also available in Greaseable Version:

BH-7232-72G1 Greaseable Sheave Pin, 1 Stack
BH-7232-72G1S Greaseable Sheave Pin, 1 Stack, Rear, Spaced
BH-7232-72G2 Greaseable Sheave Pin, 2 Stack
BH-7232-72G4 Greaseable Sheave Pin, 4 Stack

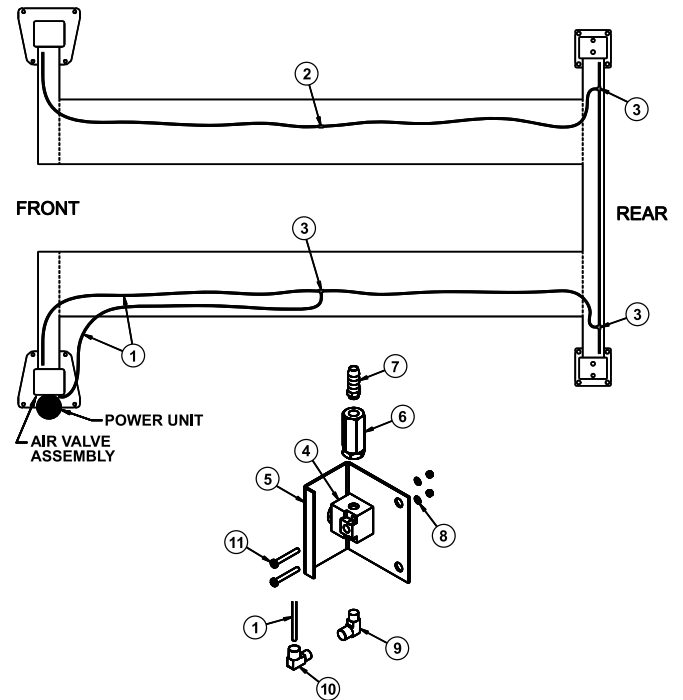
For Model 4015 Open Front (15,000 lb. capacity)



NUTS ARE INSTALLED WITH BLUE LOCTITE AND JAMMED TOGETHER LEAVING 1-2 THREADS EXPOSED

Cables

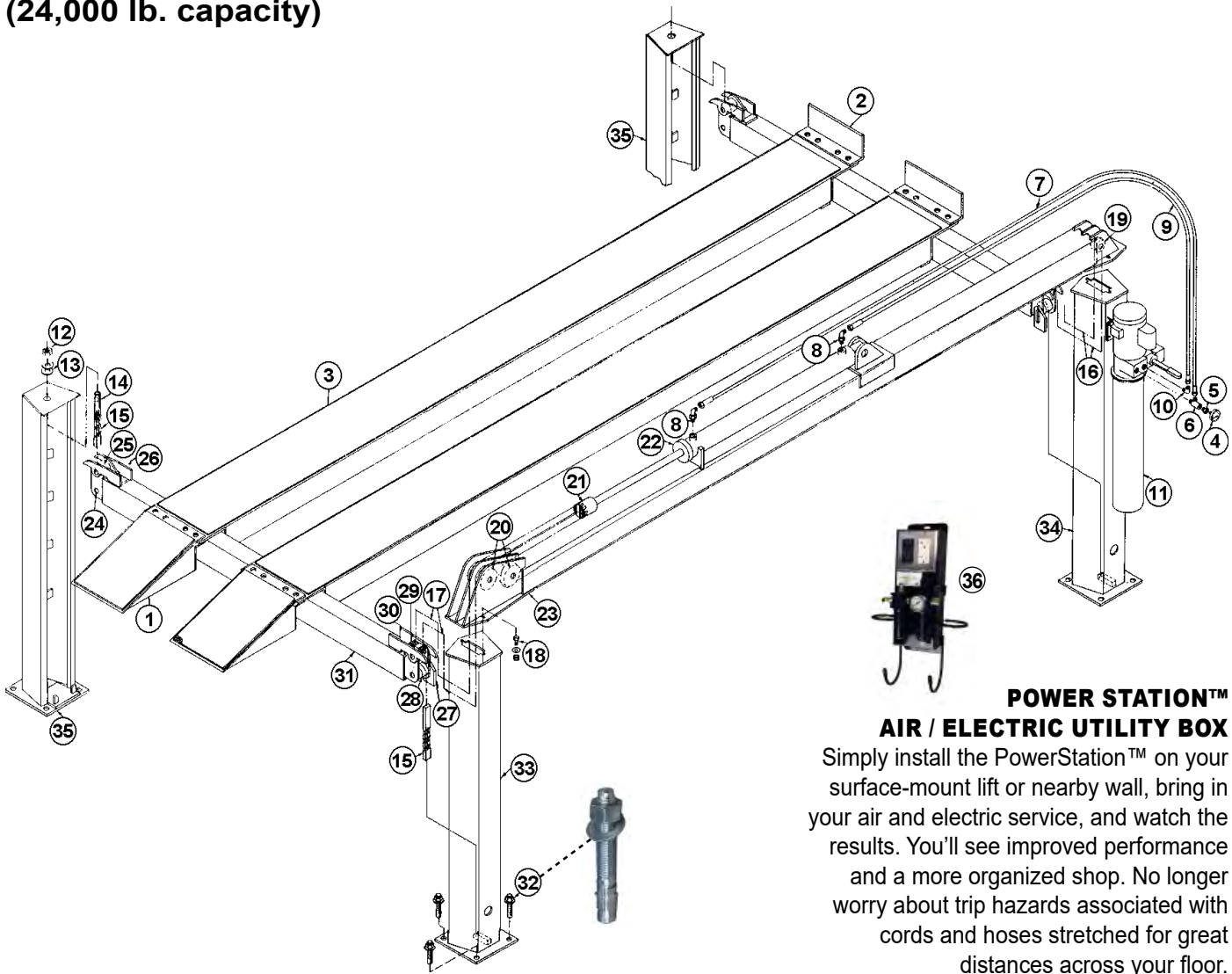
Item	SVI Part #	OEM #	Req	Description
1	BH-7234-130	40672-X1-0	1	Right Front Cable # 1 (4015X)
	BH-7234-131	40672-E1-0	1	Right Front Cable # 1 (4015E)
2	BH-7234-132	40672-X2-0	1	Left Front Cable # 2 (4015X)
	BH-7234-133	40672-E2-0	1	Left Front Cable # 2 (4015E)
3	BH-7234-134	40672-3	1	Right Rear Cable # 3
4	BH-7234-135	40672-4	1	Left Rear Cable # 4
5	call for details	40673	1	Cable Pull Bar
6	call for details	40674	1	Cable Retainer Weld
7	F-JN-1375-12	44015	2	1-3/8-12NF Jam Nut
8	F-JN-0875-09	40148	4	7/8-9NC Hex Jam Nut
9	F-HN-0875-09	40147	4	7/8-9NC Hex Nut
10	call for details	40149	4	7/8 Flat Washer



Air Lock Release

Item	SVI Part #	OEM #	Req	Description
1	Available—Call	B00901	60ft.	4mm dia. Plastic Air Line
2	call for details	B40445	1	4mm Straight Union
3	BH-7228-77	B37032	3	4mm Union Tee
4	BH-7228-73	37016	1	Lock Release Air Valve Switch
5	BH-7229-87	37015	1	Valve Bracket
6	F-JN-0008-32	37023	2	Hex Jam Nut
7	BH-7229-89	37021	1	Hose Barb
8	F-LW-0008	37024	2	Lock Washer
9	BH-7229-88	37020	1	90° Elbow
10	BH-7228-78	B37019	1	Push Lock 90° Elbow
11	F-PH-0008-32-1250	37022	2	Pan Hd. Screw
12	call for details	40091	1	In-Line Air Filter

**For Model 24022
(24,000 lb. capacity)**



**POWER STATION™
AIR / ELECTRIC UTILITY BOX**
Simply install the PowerStation™ on your surface-mount lift or nearby wall, bring in your air and electric service, and watch the results. You'll see improved performance and a more organized shop. No longer worry about trip hazards associated with cords and hoses stretched for great distances across your floor.

**Tire Changer Parts
and Accessories**

For Most Makes and Models
See our *Tire Changer Repair Parts Catalog!*



**Auto Lift Power Units
and Parts**

Call SVI today!





For Model 24022 (24,000 lb. capacity)

Item	SVI part #	OEM #	Req	Description
1	BH-7101-86	80808	1	Drive Through Ramps
1a	BH-7101-87	80422	2	Ramp Structure
1b	F-HC0750-10-2250	80439	8	3/4-10 NC x 2-1/4 Hex Screw
1c	F-HN-0750-10	80427	8	3/4-10 NC Hex Nut
2a	BH-7101-88	80421	2	Stop Track
2b	F-HC0750-10-2250	80439	16	3/4-10 NC x 2-1/4 Hex Screw
2c	F-HN-0750-10	80427	16	3/4-10 NC Hex Nut
3	BH-7101-89	80414	2	Track Structure
4a	BH-7101-61	80124	1	Dry Pressure Gauge
4b	BH-7101-90	13340	2	Plastic Tie Hose
5	BH-7101-62	CP-2878	1	Reducer Bushing
6	BH-7101-63	80132	1	Bale Branch Tee
7	BH-7101-91	80365	1	Hose Assembly 180"
8	BH-7101-59	80131	2	90° Male Elbow
9	BH-7101-92	80364	1	Hose Assembly 120"
10	BH-7101-64	80133	1	90° Male Elbow 3/8 NPT-3/4 JIC
11	BH-7006-01	80472	1	2HP 1PH 3.5 Gal. Power Unit
	BH-7006-03		1	2HP 3PH 3.5 Gal. Power Unit
12	BH-7101-34	80192	2	Nylock Hex Nut
13	BH-7101-33	80431	8	Flat Washer
14	BH-7101-32	80430	2	Chain Retainer
15a	BH-7102-32	80429	2	Cross Rail Chain
15b	BH-7028-01	80255	4	Master Link
16a	call for details	80433	2	Leaf Chain 419 Links See SVIs LRC7020 chain booklet
16b	F-SC0312-18-4500	80458	2	5/16-18 NC x 4-1/2 SHCS
16c	F-NL-0312-18	80064	2	5/16-18 NC Nylock Hex Nut
17a	call for details	80432	2	Leaf Chain 119 Links See SVIs LRC7020 chain booklet
17b	F-SC0312-18-4500	80458	2	5/16-18 NC x 4-1/2 SHCS
17c	F-NL-0312-18	80064	2	5/16-18 NC Nylock Hex Nut
18a	F-HC0500-13-1750	80453	4	1/2-13 NC x 1-3/4 Hex Screw
18b	BH-7101-93	CP-1522	4	Flat Washer
18c	F-HN-0500-13	17142	4	1/2-13 NC Hex Nut
19a	BH-7230-30	80028	2	2-3/4" Chain Roller 3/4" Bore
19b	F-HC0750-16-5500	80413	1	3/4-16 NF x 5-1/2 Hex Screw
19c	BH-7102-00	80034	1	Nylock Nut

* Call with serial number to order seal kit.

Item	SVI part #	OEM #	Req	Description
20a	BH-7101-94	80225	4	Roller Assembly
20b	BH-7101-95	80227	4	Bushing
20c	F-HC0750-16-5500	80413	2	3/4-16 NF x 5-1/2 Hex Screw
20d	BH-7102-00	80034	2	Nylock Nut
21	BH-7101-96	80412	1	Chain Connector
22a*	call for details	80410	1	Hydraulic Cylinder
22b	BH-7101-97	80411	1	Pin
22c	F-RP-375-2000	10545	2	Roll Pin 3/8 x 2
22d	BH-7100-65	80455	1	Seal Kit
23	BH-7101-98	80465	1	Tube Structure Upper
24a	BH-7101-99	80391	1	Trip
24b	BH-7102-50	80393	1	Bushing
24c	F-FW-0750-SAE	CP-2350	1	Flat Washer
24d	F-HC0750-16-1750	80457	1	3/4-16 NF x 1-3/4 Hex Screw
24e	BH-7102-00	80034	1	Nylock Nut
25a	BH-7230-30	80028	1	2-3/4" Chain Roller 3/4" Bore
25b	BH-7101-26	80389	2	Bushing
25c	F-FW-0750-SAE	CP-2350	1	Flat Washer
25d	F-HC0750-16-4500	CP894	1	3/4-16 NF x 4-1/2 Hex Screw
25e	F-NL-0750-16	80034	1	Nylock Hex Nut 3/4-16 NF
26	BH-7101-18	80832	1	Latch Structure
27a	BH-7101-99	80391	1	Trip
27b	BH-7102-50	80393	1	Bushing
27c	F-FW-0750-SAE	CP-2350	1	Flat Washer
27d	BH-7102-41	80033	1	Pin
27e	BH-7102-00	80034	1	Nylock Nut
28	BH-7230-30	80028	1	2-3/4" Chain Roller 3/4" Bore
29a	BH-7104-02	80388	1	Chain Anchor
29b	BH-7101-26	80389	2	Bushing
29c	F-FW-0750-SAE	CP-2350	3	Flat Washer
29d	F-HC0750-16-4500	CP894	1	3/4-16 NF x 4-1/2 Hex Screw
29e	BH-7102-00	80034	1	Nylock Nut
30	BH-7101-18	80832	1	Latch Structure
31	BH-7102-52	80378	1	Cross Member Structure
32	BH-7075-03	80062	16	Anchor Bolt 3/4
33	BH-7102-53	80368	1	Passenger Column
34	BH-7102-54	80367	1	Passenger Column w/Power Unit Mount
35	BH-7102-55	80366	2	Driver Column
36	BH-7069-K		1	PowerStation™ Air / Electric Utility Box



BH-7230-30 (Ref 80028)
2-3/4" Chain Roller 3/4" Bore



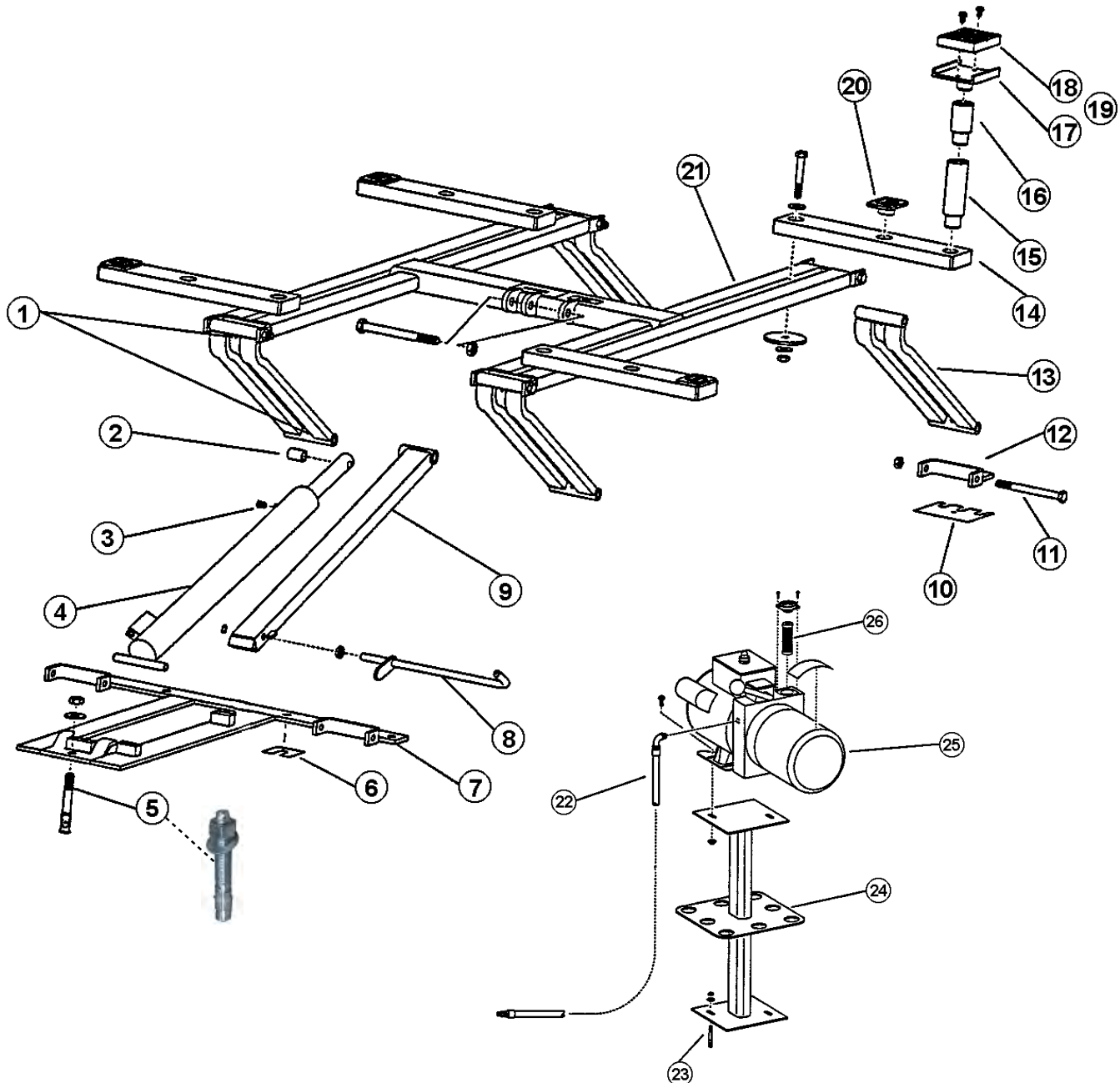
DIRECTFIT™

For Model 64000

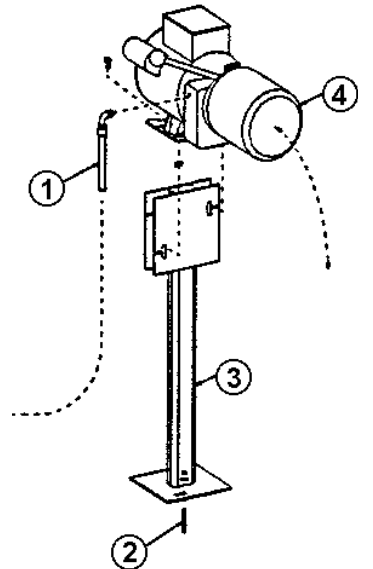
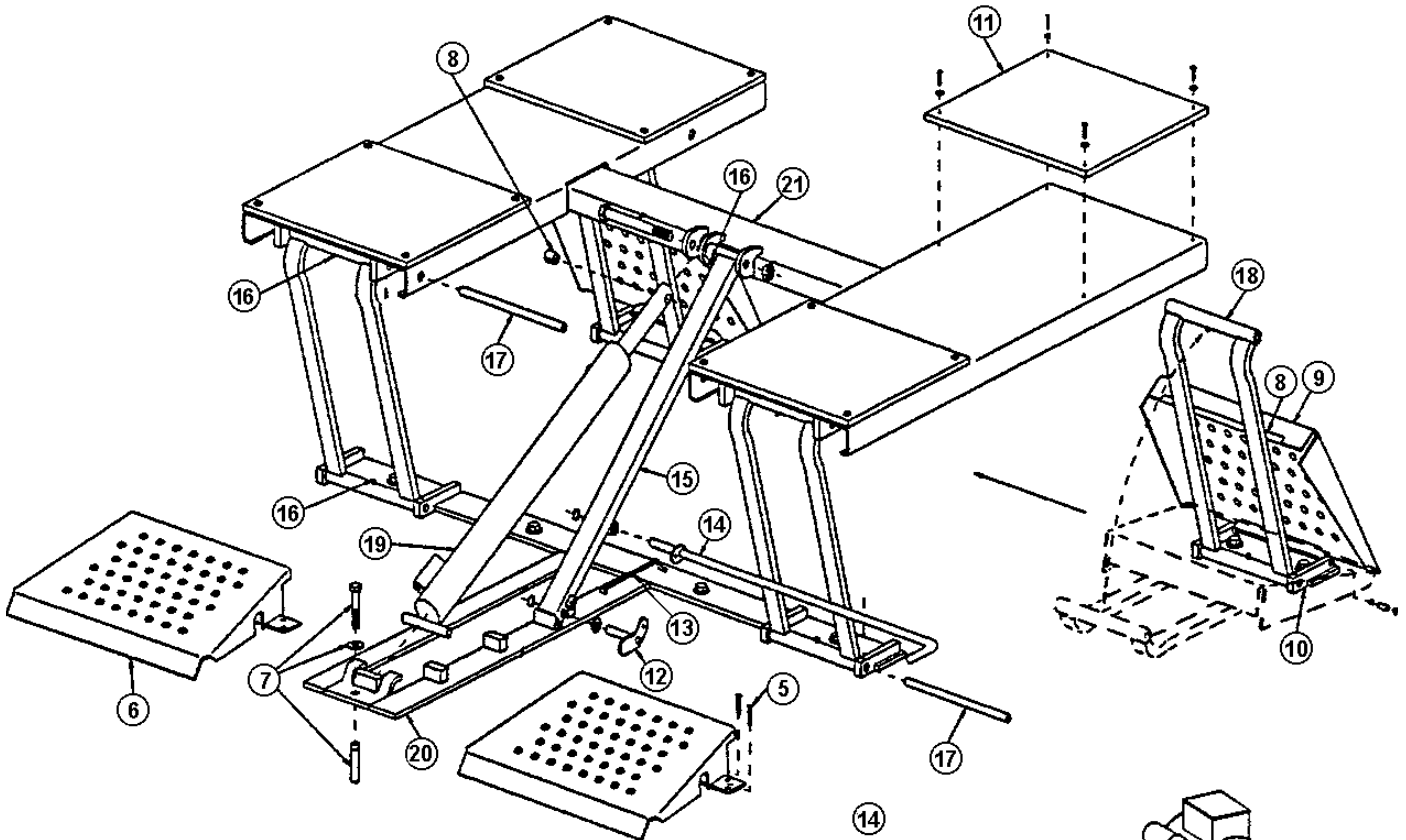
Item	SVI part #	OEM #	Req	Description
1	BH-7102-56	27516	9	Grease Fitting
2	BH-7102-57	28157	1	Bushing
3	BH-7102-58	37904	1	Breather Plug
4*	BH-7101-42	27934	1	Cylinder
--	BH-7101-42A	27934CK	1	Seal Kit
5	BH-7075-03	80362	9	3/4 x 5-1/2" Wedge Anchor
6	call for details	81709	16	Shim - See BH-7512-89 through BH-7512-91
7	BH-7102-59	28610	1	Base
8	BH-7102-60	28330	1	Lock Release
9	BH-7102-61	28325	1	Lock Leg
10	call for details	28377	1	Shim Kit - See BH-7512-92
11	BH-7102-62	28617	8	5/8 x 6-1/4" Pin
12	BH-7102-63	28612	2	Clevis

* Call with serial number to order seal kit.

Item	SVI part #	OEM #	Req	Description
13	BH-7102-64	28611	4	Leg
14	BH-7102-65	28320	4	Arm
15	BH-7101-03	27984	4	5" Height Adapter
16	BH-7101-02	27982	4	2-5/8" Height Adapter
17	BH-7101-01	27981	1	Steel Adapter
18	BH-7101-00	82365	1	Rubber Arm Pad
19	BH-7101-01C	27980	4	Adapter Base & Pad Assembly
20	BH-7102-66	28319	4	Arm Pad
21	BH-7102-67	28609	1	Platform
22	BH-7102-68	27933	1	144" Hose
23	BH-7102-69	27932	2	3/8 x 2-1/4" Wedge Anchor
24	BH-7102-70	27899	1	Power Unit Stand
25	BH-7007-01	26886	1	1/2HP 1PH 1 Gal. Power Unit
26	BH-7102-71	26886-39	1	Filter



For Model 65000



Item	SVI part #	OEM #	Req	Description
1	BH-7102-72	28983	1	Hydraulic Hose
2	BH-7102-69	27932	2	3/8 x 2-1/4" Wedge Anchor
3	BH-7102-73	85389	1	Stand
4	BH-7007-01	28730	1	1/2 HP 1PH 1 Gal. Power Unit
4	call for details	28731	1	50cy Power Unit
5	BH-7102-74	84985	8	Drive Anchor
6	BH-7230-07	85310	2	Front Ramp Weldment
7	BH-7102-75	85410	9	Anchor Bolt
8	BH-7102-76	84572	4	Protector Strip
9	BH-7100-91	85306	2	Rear Ramp
10	BH-7102-77	85297	2	Floor Bracket
11	BH-7101-43	27480	4	Black Rubber Pad
12	BH-7102-78	85385	1	Cam Weldment
13	BH-7102-79	85386	1	Rod
14	BH-7102-80	85394	1	Actuator Handle
15	BH-7102-81	85345	1	Leg Lock Weldment

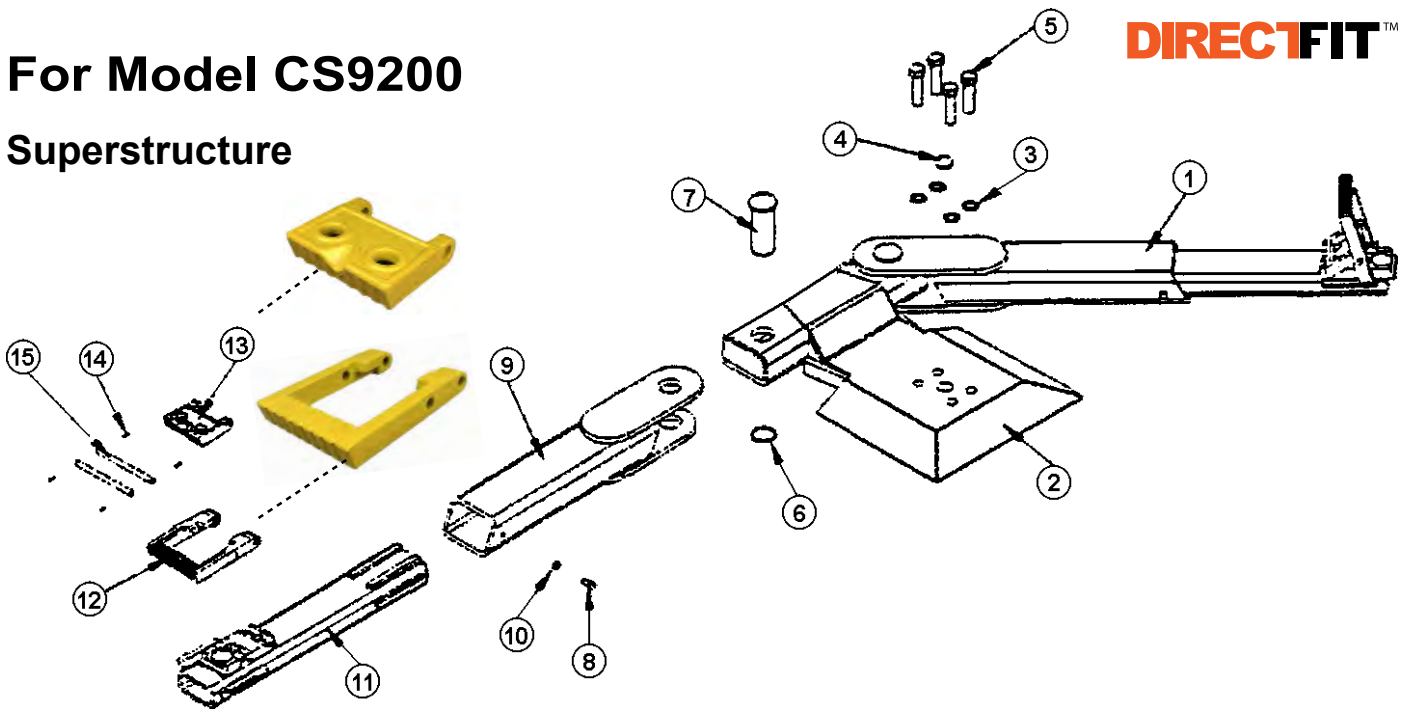
Item	SVI part #	OEM #	Req	Description
16	BH-7102-56	27516	9	Grease Fitting
17	BH-7102-82	85300	4	Hinge Pin
18	BH-7102-83	85295	4	Leg Weldment
19*	BH-7101-42	27934	1	Hydraulic Cylinder
--	BH-7101-42A	27934CK	1	Seal Kit
20	BH-7102-84	85301	1	Base Weldment
21	BH-7102-85	85920	1	Platform Weldment

* Call with serial number to order seal kit.

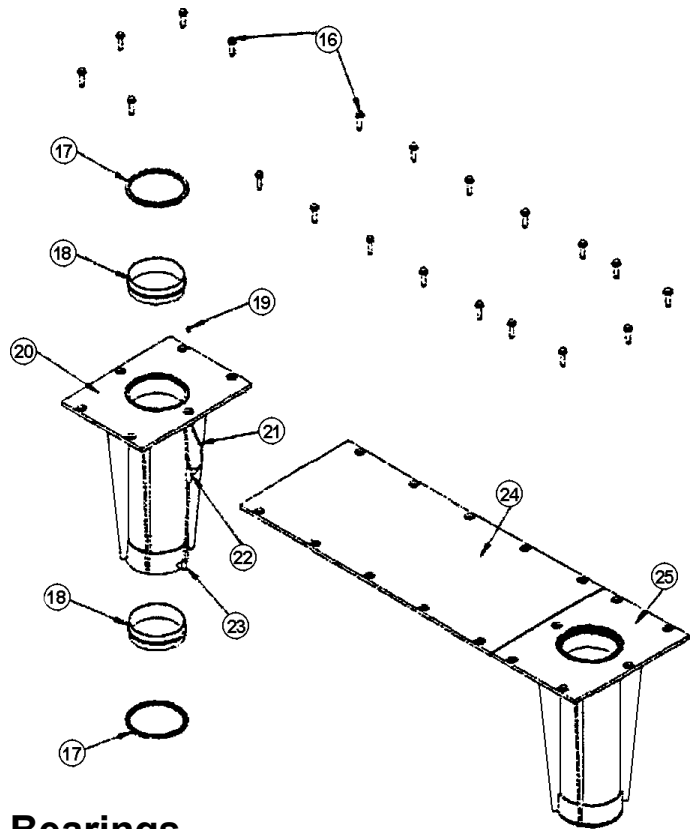
For Model CS9200

Superstructure

DIRECTFIT™



Item	SVI part #	OEM #	Req	Description
1	BH-7233-10	16104	4	Arm Assembly - Standard
	call for details	16235	-	Arm Assembly - Rubber Pad Style
2	BH-7233-09	16103	2	Bolster
3	BH-7233-08	16162	8	3/4" Ext. Tooth Lockwasher
4	BH-7233-07	16160	2	1-1/4" Finishing Plug
5	F-HC-0750-10-3000	16161	8	3/4-10x3 Hex Head Capscrew
6	BH-7233-05	16125	4	1-7/8 Snap Ring
7	BH-7233-04	16124	4	Arm Pin
8	BH-7233-02	31305	4	3/8 Self Tapping Bolt
9	BH-7233-03	16122	4	Female Arm Assembly
10	BH-7233-01	31037	4	3/8 Split Lockwasher
11	BH-7233-00	16123	4	Male Arm Assembly - Standard
	call for details	16236	-	Male Arm Assembly - Pad Style
12	BH-9620-05	M2139	4	High Pad
13	BH-9620-06	M2138	4	Low Pad
14	F-RP-125-0625	S19326	16	1/8 x 5/8 Roll Pin
15	BH-9620-03	S19977	8	Adapter Pin
16	BH-7233-11	16116	20	1/2-13x2 Self Tapping Bolt
17	BH-7233-12	16127	4	Wiper
18	BH-7233-13	16128	4	Bearing Ring
19	BH-7233-14	16130	2	1/8 NPT Grease Fitting
--	BH-7232-01	A1104	-	Rubber Pad on some models
--	BH-7232-01U	A1104H	-	Urethane Snap-In Pad for some models



Bearings

Item	SVI part #	OEM #	Req	Description
20	BH-7233-15	16126	2	Bearing Assembly
21	BH-7233-16	16132	6	1/4" x 12" Grease Line
22	BH-7233-17	16131	2	1/4" Push Lock Union Elbow
23	BH-7233-18	16129	4	1/8NPT x 1/4 Push Lock Elbow
24	BH-7233-19	16107	1	Cover Plate
25	BH-7233-20	16106	2	Bearing Assembly

P
a
g
e

96



Urethane Snap-In Pad for Some Models

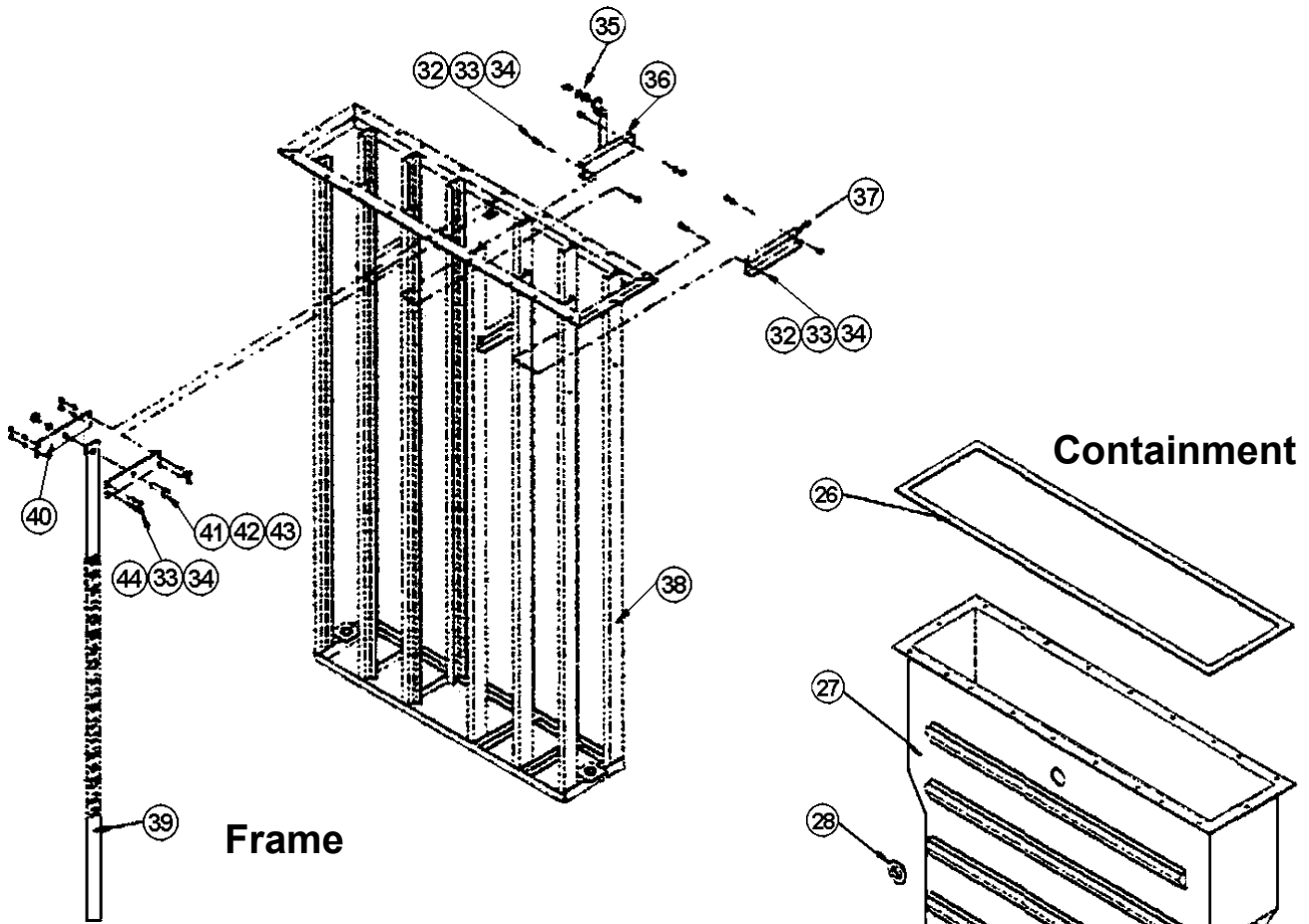
1 Pad Individual **BH-7232-01U** (Ref A1104H)



Heavy Duty Rubber Pad Alternative to Urethane Snap-In Pads Above

1 Pad Individual **BH-7232-01OHD** (Ref A1104-Hx)
4-Pad Kit **BH-7232-01OHD-4** (Ref A1104Hx)

For Model CS9200



For use on cassette and pit style in-ground lifts.

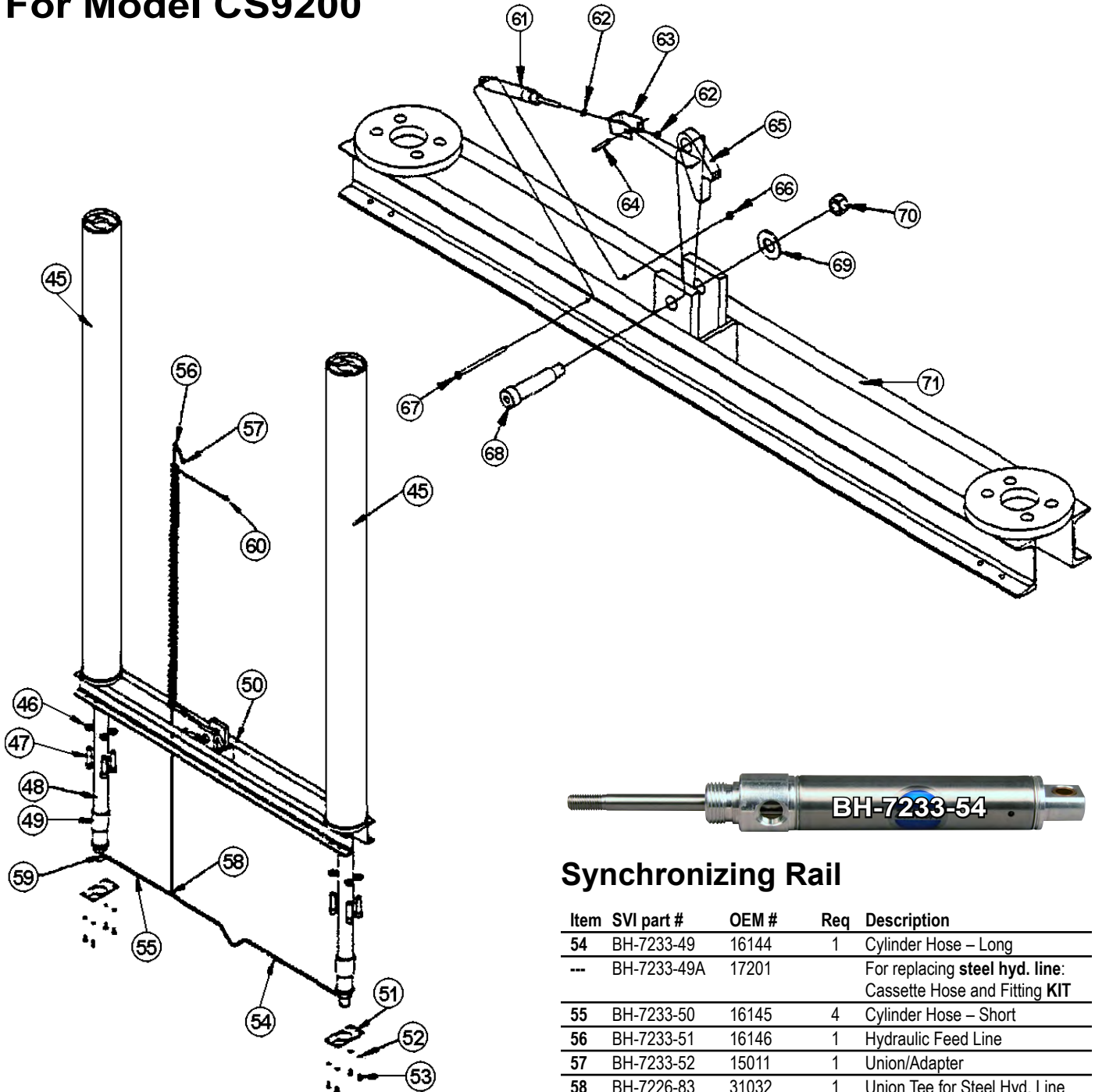
Get the water out now with Aqua-Out

- Protects your investment.
- Removes water.
- Works automatically.
- Air operated.
- Eliminates routine periodic pump out maintenance.
- An SVI lift industry solution.

Item	SVI part #	OEM #	Req	Description
26	BH-7233-21	16108	1	5/16x1 Adhesive Gasket 15 ft.
27	BH-7233-22	16105	1	Containment Tub
28	BH-7233-23	15009	1	2" PVC Grommet
29	BH-7233-24	16110	2	Concrete Tie Weld-Short
30	BH-7233-25	16111	2	Concrete Tie Weld-Long
31	BH-7233-26	16115	20	3/4x1 Vinyl Cap
32	BH-7233-27	16157	8	1/2-13x1 Frame Support Bolt
33	BH-7233-28	16158	12	1/2" Ext. Tooth Lockwasher
34	F-HN-0500-13	16159	12	1/2-13 Hex Nut
35	BH-7233-30	15010	1	Hydraulic Line Clamp
36	BH-7233-31	16149	1	Frame Support Assembly
37	BH-7233-32	16150	3	Frame Support
38	BH-7233-33	16148	1	Frame Assembly
39	BH-7233-34	16151	1	Lock Ladder Assembly

Item	SVI part #	OEM #	Req	Description
40	BH-7233-35	16152	2	Ladder Rail
41	BH-7233-36	16153	1	7/8-9x3 Lock Ladder Bolt
42	BH-7233-37	16154	1	7/8 Ext. Tooth Lockwasher
43	F-HN-0875-09	16155	1	7/8-9 Hex Nut
44	BH-7233-39	16156	4	1/2-13x2-1/2 Ladder Rail Bolt

For Model CS9200



Plunger/Rail Assembly

Item	SVI part #	OEM #	Req	Description
45	BH-7233-40	16137	2	Plunger
46	BH-7233-41	09129	8	3/4 Split Lockwasher
47	F-SC-0750-10-3000	S25259	8	3/4-10x3 Capscrew
48	BH-7233-43	16138	2	2x68 Hydraulic Cylinder
49	BH-7233-44	16139	2	Cylinder Sleeve
50	BH-7233-45	16140	1	Synchronizing Rail Assembly
51	BH-7233-46	16141	2	Cylinder Capture Plate
52	BH-7233-47	16142	8	3/8" Ext. Tooth Lockwasher
53	F-HC-0375-16-0750	16143	8	3/8-16x34 Capscrew



Synchronizing Rail

Item	SVI part #	OEM #	Req	Description
54	BH-7233-49	16144	1	Cylinder Hose – Long
---	BH-7233-49A	17201		For replacing steel hyd. line: Cassette Hose and Fitting KIT
55	BH-7233-50	16145	4	Cylinder Hose – Short
56	BH-7233-51	16146	1	Hydraulic Feed Line
57	BH-7233-52	15011	1	Union/Adapter
58	BH-7226-83	31032	1	Union Tee for Steel Hyd. Line
59	BH-7228-45	31116	2	9/19 SAE Connector
60	BH-7233-53	16147	1	Coiled Air Line
61	BH-7233-54	40142	1	3/4 x 1-1/2 Air Cylinder
62	F-JN-0250-28	40144	2	1/4-28 Jam Nut
63	BH-7233-56	16214	1	Air Cylinder Clevis
64	F-RP-0250-1500	16215	1	1/4x1-1/2 Roll Pin
65	BH-7233-58	16213	1	Locking Pawl
66	BH-7233-59	08097	1	1/4-20 Nylon Locknut
67	F-HC-0250-20-4250	16192	1	1/4-20x4-1/4 Capscrew
68	BH-7233-61	16190	1	1x3-1/2 Shoulder Bolt
69	BH-7233-62	31183	1	1" Flat Washer
70	BH-7233-63	31068	1	3/4-10 Nylon Locknut
71	BH-7233-64	16189	1	Synchronizing Rail Assembly

Bearings and Wipers for Cassette-Style Lifts

BH-7233-12	16127	6-1/2"	Challenger	Wiper
BH-7233-13	16128	6-1/2"	Challenger	Bearing Bronze/TFE "T" shape
BH-7233-76	16485	8-1/2"	Challenger	Wiper
BH-7233-77	16486	8-1/2"	Challenger	Bearing



BH-7233-12



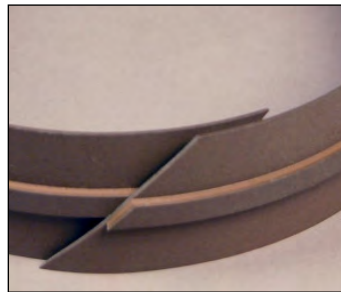
BH-7233-13

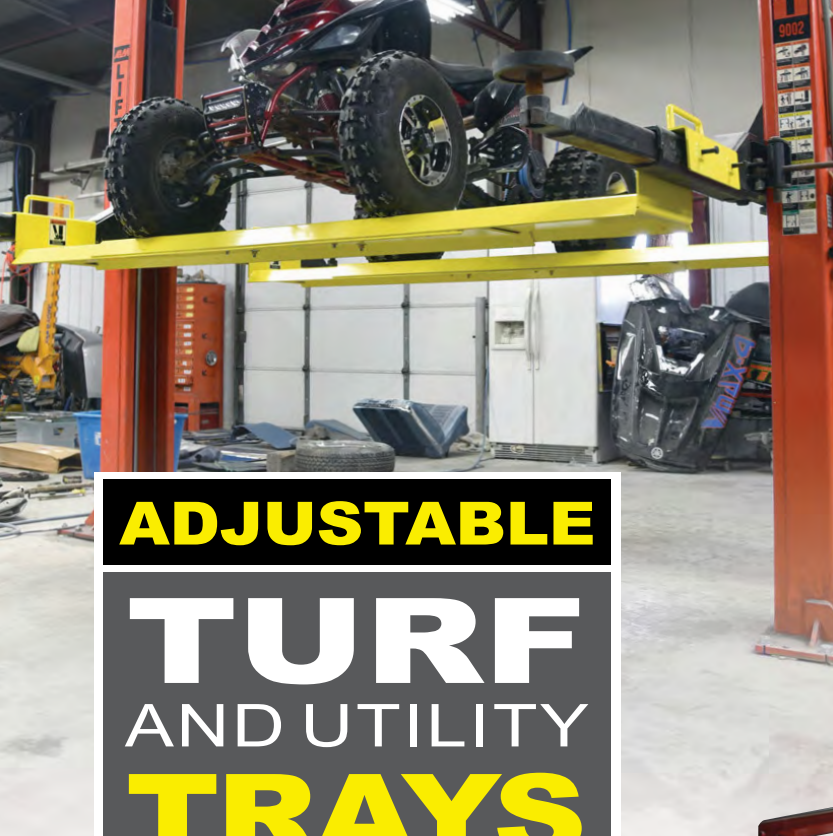


BH-7233-76



BH-7233-77





ADJUSTABLE
TURF
 AND UTILITY
TRAYS
FOR 2-POST LIFTS
 SYMMETRIC / ASYMMETRIC

ADJUSTABLE WIDTH SYMMETRIC AWS
ADJUSTABLE WIDTH ASYMMETRIC AWA

**UNIVERSAL STYLE
 TURF TRAYS FOR
 2-POST LIFTS**

**2800 LB CAPACITY
 (1400 LB / TRAY)**

It couldn't be any easier—
 very few, if any measurements
 are needed when ordering
 AWA or AWS TURF TRAYS from SVI!



SVI International, Inc.
 155 Harvestore Drive • DeKalb, IL 60115
800-321-8173 • 815-748-0200
 E-Mail: parts@sviintl.com
www.sviinternational.com





DIRECT FIT™ BRAND

SVI International, Inc.

Catalogs and Information Online: www.sviinternational.com

EASY TO ORDER:
800-321-8173
815-748-0200
Fax: 800-899-1784 • 815-748-0210
E-Mail: parts@sviintl.com
www.sviinternational.com

AUTO LIFT REPAIR PARTS FOR ALL MAKES & MODELS

~NO MATTER THE AGE OF THE LIFT!

- Arm Restraint Kits & Parts
- Cables—Lifting and Equalizing
- Chain
- doorjammerPRO - Door Protection Pad
- Height Extensions and Rubber Pads
- Installation Products & Tools
- Power Units and Parts
- Pulleys and Chain Rollers
- Seal Kits for In-Ground & Surface Mount
- Safety Legs / Non-Rotators
- Replacement Lift Kits
- Power Post Lifting Systems
- Tanks for In-Ground Lifts
- Turf Attachments for 2-Post Lifts

SURFACE MOUNT LIFT PARTS FOR:

Acanus	Gemini	Quality
Ammco®*	Gilbarco	Ranger
Alamo /	Globe	Ravaglioli
ASSSA	Grand	Rotary Lifts
ALM	Hofmann	Silent Tech
AMI	Hydralift	Slift
Ashawa	Ime Istobal	Somers Souriau
Ben Pearson	Kismet	Stenhoj
BendPak	Kimm	Stertil Koni
Benwil	Koni	Sun
Bishamon	Launch	Tecalemit
Boston	Laycock	Titan
Bradbury	Lincoln	Weaver
Cascos	Maha	Werther
Consul	Manitowoc Lifts	Western
Challenger	Mohawk	Westinghouse
Force	Nussbaum	Wheeltronic
Ford Smith	OMA	Worth
Forward	OMCN	Zippo
Fuchs/Zippo	PMW	

IN-GROUND LIFT PARTS FOR:

Benwil	Gilbarco	PKS Lifts
Challenger	Globe	Rotary
Cochin	HDL/ISS Innovative	US Hoist
Curtis	Joyce	Weaver
Ford Smith	Manitowoc Lifts	Western

AIR COMPRESSOR PARTS

- Air Receiver Tanks • Compressor Mufflers
- Automatic Tank Drain Valve for Champion Compressors
- Filters—Many Ref Available!
- Filters, Regulators, Lubricators
- Intake Filter Products
- Milton Air System Products
- Re-Coil Hose • Valves
- Vibration Dampening Pads & much more!

BRAKE LATHES REPAIR PARTS

- Brake Lathe Repair Parts and Accessories for **All Makes**

EXHAUST REMOVAL SYSTEMS & PRODUCTS

FLUID DELIVERY

- Lenz Fittings
- Steel Hydraulic Line Tubing and Fittings
- Strut and Hangers

HOSE REELS BY REELCRAFT®

HYDRAULIC CYLINDERS—

- Custom Single-Acting Large Bore Cylinders
- Also see “Lifting Equipment”

LIFTING EQUIPMENT

- New In-Ground Lifts—Car, Truck & Bus
- Small Equipment Shop Maintenance (SESM) Lifts for lifting Landscape Equip. ATVs / UTVs, Motorcycles, Lawn Mowers, Golf Carts and More!
- Custom Lifting Equipment incl. Production Line Lifts, Rail Car Lifts and More
- Custom Hydraulic Cylinders for Various Applications
- Turf Attachments for 2-Post Lifts
- In-Ground Lift Sections and Kits
- And more!

LUBRICATION & PAINT / FOAM SPRAY REPAIR PARTS & KITS FOR:

- Alemite • ARO • Balcrank • Graco • Lincoln

PETROLEUM EQUIPMENT & REPAIR PARTS FOR:

- Gas Pump & Meter Kits and Parts for Gasboy • Tokheim • Fill-Rite
- Including Parts for Older Pumps: Wayne • Bennett • Gilbarco • Bowser A.O. Smith (Geosource) • Southwest

SEAL KITS

SHOP EQUIPMENT

- Hein-Werner Products • Omega Products
- Porto-Power • Pro-Lift

TIRE EQUIPMENT REPAIR PARTS

- Tire Changer and Wheel Balancer Parts for **All Makes**

Accu-Turn	FMC	Nussbaum
All Tool	Giuliano	Ranger
Ammco®*	Hofmann	Sicam
BaseLine®*	Hunter	Sice
Bosch	John Bean /	Snap-On
Cemb	(JBC)	Teco
Coats®*	Kwik-Way	Tuxedo
Corghi	Launch	

VALVES

- Air Compressor Valves of All Types
- Air and Hoist Control Valves
- Ball Valves • Check Valves
- Kingston Valves • Pressure Relief Valves
- Relief Valves • Safety Valves
- Solenoid Valves
- Tire Changer Valves • And More!

CUSTOM PRODUCTS

And let us know if you want something you use in your shop to be added to our product line!

DIRECT FIT™ In addition to SVI's DIRECT FIT™ BRAND, we are proud to be a one-stop shop for many other great products including:



3 Ready-Ship Warehouses for Faster Shipping! | **BALTIMORE • CHICAGO • LOS ANGELES**

Main Office: 155 Harvestore Drive • DeKalb, IL 60115

All names, numbers, symbols and descriptions are used for reference purposes only. It is not implied that any part listed is the product of these manufacturers.

SVI does not represent and is not associated in any way with any other companies. Entire contents copyright © 2021, SVI International, Inc. Prices subject to change without notice.

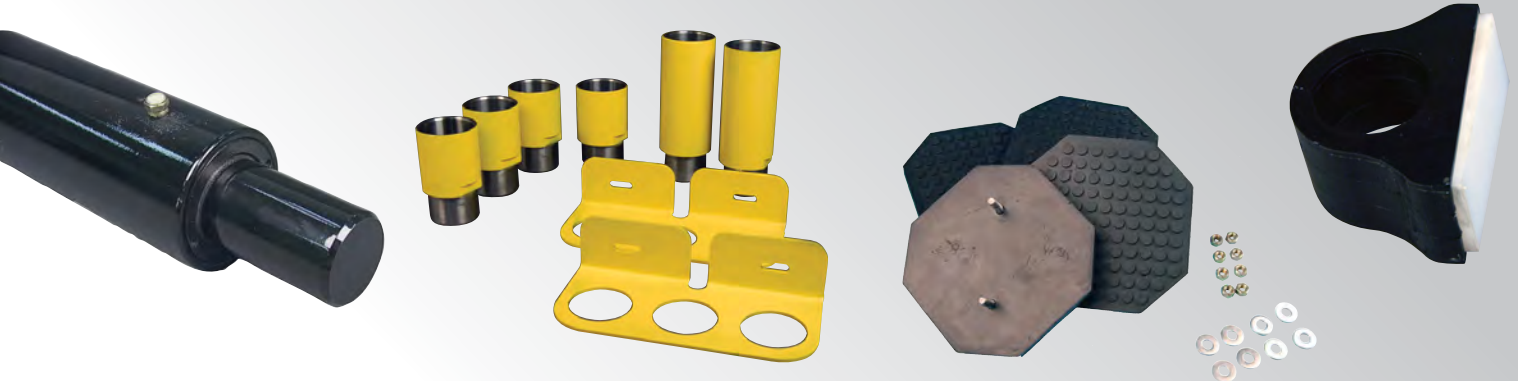
*AMMCO, BASELINE, COATS and DUCKHEAD are registered trademarks of Hennessy Industries, Inc. SVI International, Inc. is not associated in any way with Hennessy Industries, Inc.

**TERMS AND CONDITIONS OF THE
SALES ORDER
FOR SVI INTERNATIONAL, INC.**

1. **GENERAL.** The terms and conditions of sales order outlined herein shall apply to the sale by SVI INTERNATIONAL, INC. (hereinafter referred to as "Company") of the items described on the facing page (hereinafter referred to as "Merchandise") to Purchaser.
2. **DELIVERY.** Delivery shall be deemed to be complete when the Merchandise has been shipped F.O.B. Company's plants in DeKalb, Illinois, Montclair, California; and Hanover, Maryland ("Company's plants"). Shipments are subject to delays from causes or contingencies beyond the reasonable control of the Company. When otherwise not specified, shipments will be made in standard containers via carrier which, in the judgment of the Company, will result in the most practical method. Title and right of possession will pass to the Purchaser upon receipt by the carrier at the shipping point. If a customer of the Company should specify a specific carrier's method of shipment (i.e. UPS Next Day Air) and that carrier does not perform to the customer's expectations, freight credit to a customer's account will not be issued unless the Company can first obtain a credit.
3. **RISK OF LOSS.** Identification of the Merchandise under Uniform Commercial Code (hereinafter referred to as "UCC") Section 2-501 shall take place at the moment of shipment F.O.B. Company's plants. Risk of loss shall pass to the Purchaser when the Merchandise is shipped from the Company's plants.
4. **TITLE.** Title to the merchandise shall transfer to the Purchaser when the Merchandise is shipped from the Company's plants.
5. **WARRANTIES.** The Company guarantees its products to be free from defects in workmanship and raw materials for a period of one year from date of purchase. THIS WARRANTY IS EXPRESSLY IN LIEU OF ANY AND ALL WARRANTIES EXPRESS OR IMPLIED. COMPANY DOES NOT WARRANT THE MERCHANDISE IS MERCHANTABILITY OR FIT FOR ANY PARTICULAR PURPOSE. Company's liability for breach of the terms of this Agreement, including any warranty, is limited to either refund of the invoice price of the Merchandise or at Company's option, replacement of the Merchandise free of charge, including transportation charges but not including the cost of labor. Purchaser has not relied on any statement or upon the conduct of Company with respect to the prospective use of the merchandise. Company shall not be liable for and Purchaser waives any and all claims for any loss or damage, directly or indirectly, arising from the use of the Merchandise and for punitive, incidental or consequential damages, including, but not limited to, damages to property, for loss of use, loss of time, loss of profit or loss of income. The Company does not authorize the sale of our products under any other warranty, expressed or implied. **Please note:** Electrical components and cylinder or shaft seals are not covered under warranty.
6. **SETOFF.** All claims for money due or to become due from the Company shall be subject to deduction by the Company for any setoff or counterclaim arising out of this or any other claims of the Company or its affiliated companies, whether such setoff or counterclaim arose before or after any assignment by Purchaser.
7. **INDEMNIFICATION.** Purchaser agrees to indemnify the Company and hold it harmless from and against all claims, liability, loss, damage or expense, including reasonable counsel fees, arising from or by reason of any modifications or alterations made by Purchaser. If a customer of the Company modifies or alters any part, in any manner whatsoever, or uses any part in departure from recommended performance specifications, said customer agrees to indemnify and hold the Company harmless from and against all liability and expenses based on damage to property or injury to or death of any person arising out of or attributable to such modified or altered part. Further, the Company will not accept any such modified or altered part for credit to a customer's account.
8. **FREIGHT POLICY.** Freight charges are prepaid and added to invoice or collect FOB shipping point. Note: All customers are responsible for all carrier shipping costs, fees, surcharges, etc. including order refusal and return fees.
9. **RETURN POLICY.** To return a part for credit or inspection, Purchaser must first contact our Main Office in Illinois, to obtain a Return Merchandise Form. Once Purchaser has obtained this form, the parts can be returned freight prepaid only. The Return form must be included with the shipment. Parts returned to the Company without the approved form will be returned freight collect to the shipper or refused. Returns must be initiated within 30 days of the invoice date. The Return Forms are valid for 30 days, from the date of issue. All Returns are subject to restocking charges. Return parts brought into our remote warehouses, will not be accepted by our personnel, without a Return Merchandise Form from the Main Office. Parts which have been used in any way or manner, including any installation or incorporation into a lift, hoist, or other equipment, shall NOT be eligible for return whether or not a Return form has been assigned. **Please note:** Electrical parts or components are not returnable for credit. This includes all switches, pushbuttons, relays, electric motors, capacitors, fuses, solenoids, power units with wiring issues or any other electrical items. Custom, built to order, special order, and non-stocked genuine parts are non-returnable.
10. **RESTOCK CHARGE.** Returns are subject to a restocking charge. Refusals are subject to the same restocking charge plus the cost of outbound and return freight charges and/or fees incurred by the Company due to shipment refusal.
11. **PRICES AND PAYMENTS.** All prices are subject to change without notice. All prices are F.O.B. shipping point. The Company standard terms are net 30 days, C.O.D. company check, C.O.D. cash, VISA, MasterCard, Discover or American Express. However, if in the judgment of the Company, the financial condition of the Purchaser at any time does not justify shipment according to standard terms of payment, the Company may require full or partial payment in advance.
12. **INTERPRETATION.** This sales order is intended by the parties as a complete and exclusive statement of the terms of their agreement. It supersedes all prior agreements, written or oral. No course of prior dealings between the parties and no usage of the trade shall be relevant to supplement or explain any terms used in this sales order. Acceptance or acquiescence in a course of performance rendered under this purchase order shall not be relevant to determine the meaning of this sales order even though the accepting or acquiescing party has knowledge of the nature of the performance and opportunity for objection. Whenever a term defined by the UCC is used in this sales order the definition contained in the UCC shall control.
13. **MODIFICATION.** This sales order can be modified or rescinded only by a writing signed by both parties.
14. **WAIVER.** No claim or right arising out of a breach of this sales order can be discharged in whole or in part by a waiver or renunciation of the claim or right unless such waiver or renunciation is supported by consideration and is in writing signed by the aggrieved party.
15. **ASSIGNMENT.** No right or interest in this sales order shall be assigned by either party without the written consent of the other and no delegation of any obligation owed, or of the performance of any obligation by either the Company or Purchaser shall be made without the written consent of the other party. Any attempted assignment or delegation not made in conformity with this paragraph shall be wholly void and totally ineffective for all purposes.
16. **TIME TO PERFORM AND BRING ACTION.** Time is of the essence of this sales order. Any action for breach of this sales order shall be commenced within two (2) years after the cause of action has accrued. Any party who loses any litigation shall reimburse the other party for costs including reasonable attorney's fees. The exclusive jurisdiction for any legal action shall be the Circuit Court of DeKalb County, Illinois.
17. **APPLICABLE LAW.** This sales order shall be governed by the UCC of Illinois as effective and in force on the date of this sales order.



BALTIMORE • CHICAGO • LOS ANGELES



DIRECTFIT™
SVI's DIRECT FIT™ BRAND



- Air Compressor Parts and Filters
- Auto Lift Parts for Any Brand
- Auto Lift Cables and Chain
- Auto Lift Power Units and Parts
- Auto Lift Sheaves / Pulleys and Chain Rollers
- Brake Lathe Repair Parts for All Makes
- Exhaust System Products
- Fluid Delivery Repair Parts
- Hose Reels and Hose Stops
- In-Ground Auto Lifts
- Lubrication Equipment Repair Parts
- Petroleum / Service Station Pump and Tank Products
- Repair Parts for Gasboy Consumer Series
- SESM Lifts for ATV/UTV, Golf Cart and More!
- Tire Changer Repair Parts
- Turf Attachments for 2-Post Lifts
- Vehicle Lifting Systems
- Wheel Balancer Accessories

SVI International, Inc.

155 Harvestore Drive • DeKalb, IL 60115

800-321-8173 • 815-748-0200

FAX: 800-899-1784 • 815-748-0210

E-MAIL: parts@sviintl.com

Entire contents copyright © 2021, SVI International, Inc.

Information and Catalogs Online:
www.sviinternational.com