



DIRECTFIT™

Auto Lift Repair Parts and Accessories for Rotary Lifts

Automotive Shop Equipment | Auto Lift Repair Parts

The Industry's Largest Selection of Auto Lift Repair Parts

DIRECTFIT™
SVI's DIRECT FIT™ BRAND



SVI International, Inc.
155 Harvestore Drive • DeKalb, IL 60115

800-321-8173
815-748-0200

www.sviinternational.com

BALTIMORE • CHICAGO • LOS ANGELES



Table of Contents

Height Extensions, Adapters and Rubber Pads 3-17	Model CWA120 82-83
<i>Including Specialty Adapters for 2019, 2020, 2021 Chevy/GMC Trucks</i>	Model AR90 84-85, 87
Sleeve and Adapter Assemblies 12	Models AR120S, AR120L & AR120EL1 86-87
Commonly Requested Parts 18-21	Models SM122S, SM122L & SM122EL2 91-92
Commonly Requested Parts for Rolling Jacks 22-23	Models AR122 Series S, L, EL1 & EL2 93-94
Seal Kits for 2- and 4-Post Surface Lifts 24-25	Models AR123 / SM123 95-96
Seal Kits for Mid- and Low-Rise Lifts 25	Models ARO123 / SMO123 97-99
Seal Kits for Rolling Jacks 26	Model QL4P 100-101
Wipers and Bearings for 2-Post In-Ground Cassette Lifts 26	Models QL4P100 / QL4P101 102-103
Seal Kits for 1- and 2-Post In-Ground Lifts 27-28	Models SM180 and SM181 104-105
Sag-Stopping Arm Pins for Rotary lifts 29	Model SM250 106-107
Arm Restraints for Rotary Lifts 30	Model SM270 108-109
Retrofit Kits 30	Models SM300, SM301 & SM302 110-111
Common Arm Restraint Parts 30	Models SM500s / SM600s 112-113
Sheaves / Pulleys 31	Model FLS12 114-115
Sheave Pins 31	Model FLS25 116-117
Greaseable Sheave Pins 32	Jack Models FC5269, FC5277, FC5278 and FC5279 118
Equalizer and Locking Cable and Sheave Revamp Kits	Jack Model FC5655, FC5656 and FC5657 119
for SPO / SPOA Series 33-34	Jack Models RJ4500, RJ4501, RJ6000 and RJ6000-R 120
Wire Rope / Cable Assemblies—Serious Specifications 35	Jack Models RJ9000 121
Common Replacement Parts for Global Hydraulics Power Unit 36	Model VL6 122
Common Lock Latching Kits and Parts 37	Model VLX6 123
Air Cylinders, Air Release Valves and More 37	Model VM6 124
Lock Parts for SPOA77 & DCOA7 38	Model MPAL8 125
Lock Parts for SP7 & SP9 38	Model MR6 126
Lock Parts for SP88 & SPO88 38	Model PAL7 127
Lock Parts for SPO7 & SPO9 39	Model PFX-1 128
Lock Parts for SPOA7 & SPOA9 39	Models MPFXA & E 129
Lock Parts for SPOA88 & SPOA98 40	Models FP46A-44 and above and FP46H-19 and above 130-131
Lock Parts for SP98 40	Models DRT10 A&H MKII & MKVI 132-133
Lock Parts for SPO98 40	Models FP46A MKVI & FP46H MKVI 134-135
Lock Parts for SPO10, SPOA10 & SPOA10NB 41	Models FP46A MKVII & FP46H MKVII 136-137
Lock Parts for A8i, A10i & S10i 41	Models FP46A-100, FP46H-100, BU10A-100,
Lock Parts for SPO12 41	BU10H-100, PF10A-100 and PF10H-100 138-139
Lock Parts for SPO15 & SPO18 42	Models FP87A-3, FP87A-4, FP87A-6, FP87H-1, FP87H-3,
Model SP55 43	FP87H-5, FP87A-2, FP87A-5, FP87H-2 and FP87H-4 140-142
Model SPOA77 44	Models DTO28H-27 & 28, PT20H-11, RBU68H-2
Model DCOA7 45	and WABU28H-12 143-145
Models SP80 and SP84 46	Model DTO28H MK VI 146-147
Model SPO84 47	Model DTO28H MK V 148-149
Model SPOA84 48	Model DTRP28H 150-152
Model SP88 49	Model WRP90 153-155
Model SPO88 50	Models SL29, SL29-RA and SL29-BU 156-159
Model SPOA88 51	Models SL29-SPA and SL29-FP 160-163
Model SP94 52	Models SL210/SL212 164-167
Model SP98 53	Models SL9 / SL9-RA / SL9-SPA / SL9-BU
Model SPO98 54	100 and 200 Series, SL90204, SL90104 168-171
Model SPOA98 55	Model SL28 172-175
Models SP7 and SP9 56	In-Ground Lift Packing Quick Reference 176-177
Model SPO7 57	Air / Oil Tanks and Oil Control Valve 178
Model SPO9 58-60	In-Ground Superstructure Component Identification 179
Model SPOA7 59-61	Model DTO28 180-183
Model SPOA9 59-60, 62	Model AP50 184
Model SPO10 63	Model AC60 185
Model SPOA10 64	Model AT70 185
Model SPOA10NB 65	Model AT1012 186
Model A8i 66	Oil Control Valves for Twin Post Moveable Piston Lifts 187
Model A10i 67	Manual Ratchet Components 188
Model S10i 68	Air Operated Multi-Position Lift Lock & Struts 188
Model SPO12 69	ZLT Zero Leak Technology Modern Bearing Upgrade 189
Models SPO15 / SPO18 70	12-5/8" Replacement Cylinder Assemblies 190-191
Models SPO15 / SPO18 300 Series 71	Fore and Aft Commonly Requested Parts 192-193
Aligner Model AR94 72	Repair Parts for Rotary Parallelogram Lifts 194
Aligner Model ARO94 73	Warning Labels and Tags 195-199
Aligner Model ARO9 74	
Model SM90 75-76	
Model SM120 76-77	
Model SM91 78-79	
Models SM121S, SM121L & SM121EL2 79-80	
Model CWA90 81-82	

P
a
g
e

2

(800) 321-8173 • fax: (800) 899-1784

www.sviinternational.com

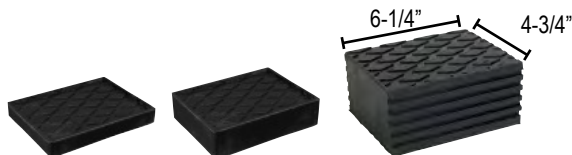
BALTIMORE • CHICAGO • LOS ANGELES

Rubber Pads For Rotary Lifts

UNIVERSAL | FOR MANY MAKES & MODELS

Rubber Adapter Blocks (Stack Pads) • 4-3/4" x 6-1/4"

- BH-9756-86T (Ref SB700071Y) 1/2" Thick
- BH-9756-86 (Ref FJ2427) 1-1/2" Thick
- BH-9756-87 (Ref FJ2428x) 3" Thick



1/2" Thick BH-9756-86T
1-1/2" Thick BH-9756-86
3" Thick BH-9756-87

UNIVERSAL | FOR SPORT CARS!

FOR LOW PROFILE VEHICLE APPLICATIONS

- Rubber Riser Pad
- SC-8150-25 1 Pad
- SC-8150-25-4 Kit of 4 Pads

Use SVI's Rubber Riser Pads to raise low-profile cars up higher from the floor for easier placement of 2-post swing arms



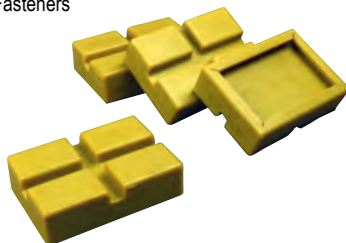
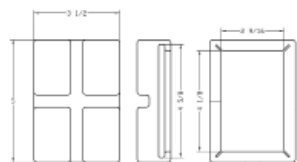
Features Handle for Easy Placement

2-1/2" Tall

FOR ROTARY LIFTS

Slip-Over Rectangle Yellow Arm Pad (Ref FJ7735-2)

- BH-7508-61 1 Pad
- BH-7508-61-4 Kit of 4 Pads and Fasteners

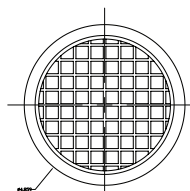


Insist on SVI Direct Fit™ brand Products!

FOR ROTARY LIFTS

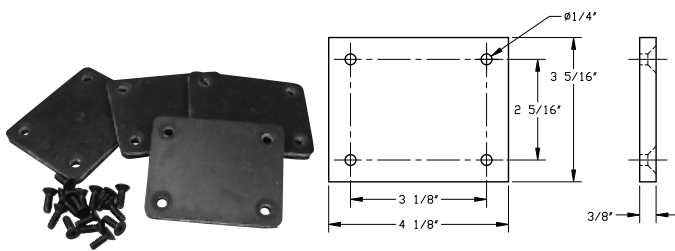
Round Slip-Over and Screw-On Waffle Style Rubber Pad
 Replaces Old Style. (Ref FJ6202-3, FJ5174)

- BH-7542-66P 1 Pad
- BH-7542-66PK Kit of 4 Pads and Fasteners



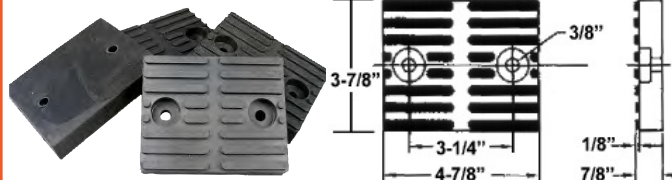
FOR ROTARY LIFTS

- BH-7536-92P (Ref FJ6158-4) Rubber Pad (1)
- BH-7542-73 (Ref FJ6213) Rubber Pad Kit of 4 Pads and Fasteners



FOR MANY MAKES / MODELS

- Rectangle Rubber Arm Pad
 (Replaces Ref 82365, 10-0017, 482365, 91559, 37008, others)
- BH-7101-00 • 1 Pad
- BH-7101-00-4 • Kit of 4 Pads



SPECIALTY | FOR SVI'S GMT STYLE ADAPTERS

Rectangle Rubber Arm Pad for SVI's GMT Style Specialty Wide Adapters for 2019, 2020 and newer Chevrolet 1500 Silverado and GM Sierra Trucks
 These Adapters Feature 7" Wide Lifting Area— Available For Many Makes and Models

- BH-7542-75P 1 Pad Only
- BH-7542-75P-4 Kit of 4 Pads with Fasteners

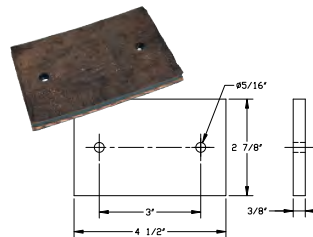


6" x 3.25" x 3/8" Thick



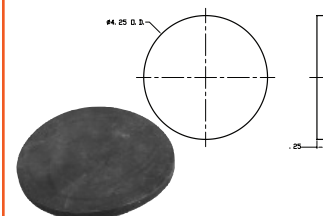
FOR ROTARY LIFTS AND OTHERS

- Rectangle Rubber Pad for SORP Style Adapters
- BH-9755-50-1 1 Pad



FOR ROTARY LIFTS

- Round Rubber Pad (Ref FJ6155-7)
- BH-7515-73 1 Pad
- BH-7515-73-4 Kit of 4 Pads





Height Extensions and Adapters For Rotary Lifts

Please always confirm dimensions before ordering. Height Extensions and Adapters come in many different styles and dimensions. SVI is well-known as the adapter expert, specializing in top quality standard and custom adapters. SVI is your answer.



MANY MORE AVAILABLE!
Also see our Catalog:
Height Extensions, Adapters and Rubber Pads
Includes Nesting Style Height Extensions, Nesting Pad Adapters, Slip-On Style, Drop-On Style, Adjustable and Fixed Adapters, and more!



For Some 7000, 8000, and 9000 lb. with Round Adapter "RA" and Truck Adapter "TA" Models with Conventional Arms (Not Trio Models):

2-POST SURFACE MOUNT: A7i, A8, A9i, ATO7, ATO77, S9i, SPO9, SPOA7, SPOA9, SPOA32, others

IN-GROUND: SL29, others

2" PIN DIAMETER

Adapter Base with Pad
2" Pin OD • For Rotary 7,000 and 9,000 lb. models with 2-Stage Arms

BH-7504-58
(Replaces FJ6159ZN, FJ6159)



2"

BH-7542-66 (Ref FJ6202)
Telescoping 2-Stage Round Thread Up Adapter with Pad
2" Pin OD • For Models SPOA7-RA, SPOA9-RA, SL210-RA, A8-RA, A10-RA, and SL210-RA



(sold individually) 2" Pin OD


Replaceable Pads: BH-7542-66PK (Kit of 4 Pads with Hardware)

These 2-stage spin-up adapters for use on RA Series Rotary lifts are American-Made and priced as you would expect from SVI. They are built at a quality level equal to or exceeding that of others on the market. Each appropriate piece is individually zinc plated before final assembly. The rubber pad is molded in North America using virgin material, for lifespan longevity; no regrinded material is used in the manufacturing process.

Height Extension with Rack Kit for Rotary - 2" Pin Dia.
2" Pin Diameter Fits SPOA10RA/TA, SL210 3-Stage 800 Series and Below, and SL212 without Trio Arms

BH-7536-90 (Replaces ref FJ7880 / FJ7880BK)

Kit includes:
(4) 5" Nesting Extension
(4) 3-1/2" Nesting Extension
(2) Hanger Brackets



BH-7515-67 (Ref FJ6171-1B)
3.5" Nesting Height Extension



2"

3.5" (90mm)
1-3/4"

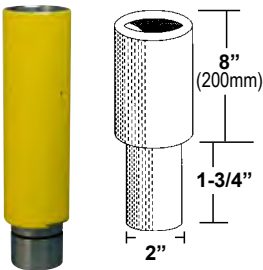
BH-7515-66
(Ref FJ6171-2B, FJ6171-2ZN)
5" Nesting Height Extension



2"

5" (130mm)
1-3/4"


BH-7515-68 (Ref FJ6171-2x)
8" Nesting Height Extension



2"

8" (200mm)
1-3/4"


BH-7536-90A
Height Extension Rack Kit
Includes 1 Rack with Hardware



Holds 4 Adapters / For 2" Pin Diameter

Specialty Wide Adapter for 2019, 2020 and newer Chevrolet 1500 Silverado and GM Sierra Trucks - 2" Pin OD
Features 7" Wide Lifting Area • (Ref FJ6258, FJ6258KIT)

BH-7542-75K (2) Adapters with 2" OD Pin & Pad
BH-7542-75 (1) Adapter with 2" OD Pin & Pad
BH-7542-75P Replacement Pad Only
BH-7542-75P-4 Replacement Pad Kit (4)



2" Pin OD

TYPE GMT
7" Wide Lifting Area

Height Extensions and Adapters For Rotary Lifts

Please always confirm dimensions before ordering. Height Extensions and Adapters come in many different styles and dimensions. SVI is well-known as the adapter expert, specializing in top quality standard and custom adapters. SVI is your answer.



MANY MORE AVAILABLE!
Also see our Catalog:
Height Extensions, Adapters and Rubber Pads
Includes Nesting Style Height Extensions, Nesting Pad Adapters, Slip-On Style, Drop-On Style, Adjustable and Fixed Adapters, and more!



For Some 10,000 lb. and 12,000 lb. with Round Adapter "RA" and Truck Adapter "TA" Models with Conventional Arms (Not Trio Models):


2-POST SURFACE MOUNT: A8i, A10i / A10iNB (400, 500, 600 Series) S10i (400 & 500 Series), SPO10, SPOA10, SPOA10NB, SPO12-700 Series, S12i (7A0, 7T0, 7W0 Series) others

IN-GROUND: A10-RA, SL210 3-Stage 800 Series & Below, SL210-RA, SL212-1000 Series, others

2" PIN DIAMETER

Truck Adapter Base with Pad for Rotary Lifts
(Replaces FJ6214, FJ6182, FJ6197)
2" Pin OD

BH-7536-96 Individual Adapter
BH-7536-93 Kit of 4 Adapters



Replaceable Pads: BH-7536-92P / BH-7536-92P-4

BH-7542-66 (Ref FJ6202)
Telescoping 2-Stage Round Thread Up Adapter (1) with Pad
2" Pin OD • For Rotary 10,000 lb. RA models • Sold Individually

These 2-stage spin-up adapters for use on RA Series Rotary lifts are American-Made and priced as you would expect from SVI. They are built at a quality level equal to or exceeding that of others on the market. Each appropriate piece is individually zinc plated before final assembly. The rubber pad is molded in North America using virgin material, for lifespan longevity; no regrinded material is used in the manufacturing process.




2" Pin OD

Replaceable Pads: BH-7542-66P / BH-7542-66PK


Height Extension with Rack Kit for Rotary - 2" Pin Dia.
2" Pin Diameter Fits SPOA10RA/TA, SL210 3-Stage 800 Series and Below, and SL212 without Trio Arms, others

BH-7536-90 (Replaces ref FJ7880 / FJ7880BK)

Kit includes:
(4) 5" Nesting Extension
(4) 3-1/2" Nesting Extension
(2) Hanger Brackets



BH-7515-67 (Ref FJ6171-1B)
3.5" Nesting Height Extension



2"

BH-7515-66
(Ref FJ6171-2B, FJ6171-2ZN)
5" Nesting Height Extension




2"

BH-7515-68 (Ref FJ6171-2x)
8" Nesting Height Extension



2"


BH-7536-90A
Height Extension Rack Kit
Includes 1 Rack with Hardware



Holds 4 Adapters / For 2" Pin Diameter

Specialty Wide Adapter for 2019, 2020 and newer Chevrolet 1500 Silverado and GM Sierra Trucks - 2" Pin OD
Features 7" Wide Lifting Area • (Ref FJ6258, FJ6258KIT)

BH-7542-75K (2) Adapters with 2" OD Pin & Pad
BH-7542-75 (1) Adapter with 2" OD Pin & Pad
BH-7542-75P Replacement Pad Only
BH-7542-75P-4 Replacement Pad Kit (4)



2" Pin OD

TYPE GMT
7" Wide Lifting Area



Height Extensions and Adapters For Rotary Lifts

Please always confirm dimensions before ordering. Height Extensions and Adapters come in many different styles and dimensions. SVI is well-known as the adapter expert, specializing in top quality standard and custom adapters. SVI is your answer.



MANY MORE AVAILABLE!
Also see our Catalog:
Height Extensions, Adapters and Rubber Pads
Includes Nesting Style Height Extensions, Nesting Pad Adapters, Slip-On Style, Drop-On Style, Adjustable and Fixed Adapters, and more!



FOR MODELS WITH TRIO ARMS:

2-POST: SPO10-RA-TRIO, SPO10-TA-TRIO, SPOA10-RA-TRIO, SPOA10-TA-TRIO, others

IN-GROUND: SL210-RA-TRIO, SL210-TA-TRIO, SL210-1000 Series (Trio), SLR, others



1-1/2" PIN DIAMETER

2-Stage Adapter for SLR, SL210 with 1.5" OD Nut For RA Models with 3-Stage Trio Arms

BH-9784-82 (ref T100272) **Adapter Kit (Set of 4) with Racks**

BH-9784-81 (ref FJ6219) **1 Adapter Only**



Spin-Up Style Adapters
1-1/2" Diameter

Slide Truck Adapters for Lifts with Trio Arm For TA Models with 3-Stage Trio Arms

BH-9786-78K (ref T100273) **Adapter Kit (Set of 4)**

BH-9786-78 (ref T110564) **Individual Adapter (1)**



1-1/2" Diameter

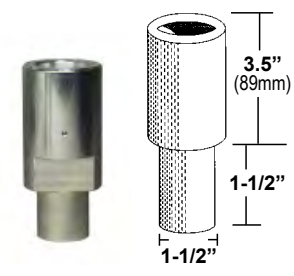
Height Extension with Rack Kit for Rotary - 1-1/2" Pin Dia.
1-1/2" Pin Diameter • Fits SPOA10 Lifts with 3-Stage Arms 800 Series and Above, SL210-1000, and others with Trio Arms

BH-7536-90T (Replaces ref T100271)

Kit includes:
(4) 5" Nesting Extension
(4) 3-1/2" Nesting Extension
(2) Hanger Brackets

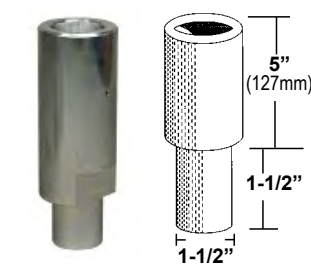


BH-7537-00 (Ref T130660)
3.5" Nesting Height Extension




3.5" (89mm)
1-1/2"
1-1/2"

BH-7537-01 (Ref T130661)
5" Nesting Height Extension



5" (127mm)
1-1/2"
1-1/2"

BH-7537-02 (Ref T130683)
Height Extension Rack Kit
Includes 1 Rack with Hardware



Holds 4 Adapters / For 1-1/2" Pin Diameter


Specialty Wide Adapter for 2019, 2020 and newer Chevrolet 1500 Silverado and GM Sierra Trucks - 1-1/2" Pin OD For TRIO Arms
Features 7" Wide Lifting Area • (Ref FJ6257, FJ6257KIT)

BH-7542-74K (2) Adapters with 1-1/2" OD Pin & Pad

BH-7542-74 (1) Adapter with 1-1/2" OD Pin & Pad

BH-7542-75P Replacement Pad Only

BH-7542-75P-4 Replacement Pad Kit (4)



1-1/2" Pin OD

TYPE GMT
7" Wide Lifting Area



Height Extensions and Adapters For Rotary Lifts

Please always confirm dimensions before ordering. Height Extensions and Adapters come in many different styles and dimensions. SVI is well-known as the adapter expert, specializing in top quality standard and custom adapters. SVI is your answer.



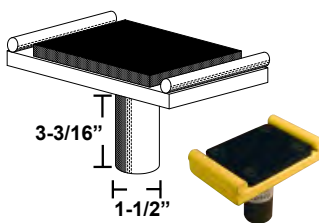
MANY MORE AVAILABLE!
Also see our Catalog:
Height Extensions, Adapters and Rubber Pads
Includes Nesting Style Height Extensions, Nesting Pad Adapters, Slip-On Style, Drop-On Style, Adjustable and Fixed Adapters, and more!



FOR VARIOUS MODELS

1-1/2" PIN DIAMETER

BH-7536-92 (Ref FJ6158)
Lift Adapter Base Assembly with Rubber Pad



Replacement Rubber Pad: BH-7536-92P
Pad Dimensions: 4-1/8" x 3-1/4"

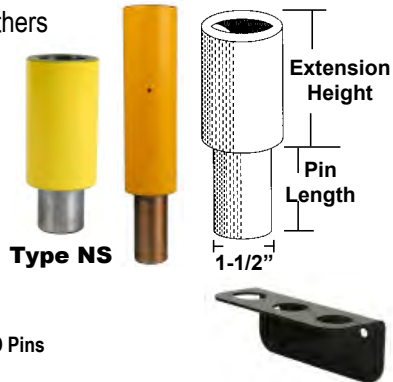
1-1/2" PIN OD • For Rotary Lifts - Many Models, and Others
Nesting Style Height Extension

1-1/2" OD Pin x 1-1/2" Long Pin
BH-7533-98S (Ref FJ6180) 2-1/2" Extension Height
BH-7533-96 (Ref FJ6143) 4" Extension Height

1-1/2" OD Pin x 2" Long Pin
BH-7090-16 (Ref FJ6143) 6" Extension Height

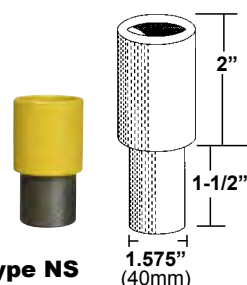
1-1/2" OD Pin x 3-1/8" Long Pin
BH-7533-97 (Ref FJ6144) 8" Extension Height

BH-7500-95 (Ref FJ6145) Hanger Bracket Rack for 1-1/2" OD Pins (without hardware)



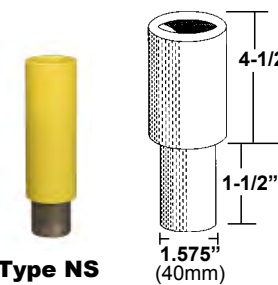
1.575" (40mm) PIN DIAMETER • FOR PV12, OTHERS

BH-7548-003 (Ref V12TP-4303)
2" Nesting Style Height Extension



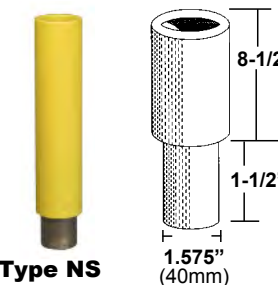
Type NS

BH-7548-001 (Ref V12TP-4301)
Short Nesting Style Height Extension



Type NS

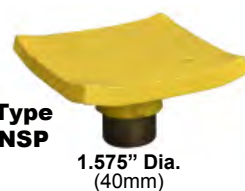
BH-7548-002 (Ref V12TP-4302)
8-1/2" Tall Nesting Style Height Extension



Type NS

BH-7548-004 (Ref V12TP-4410)
Lift Pad Weldment 40mm (1.575") Pin Diameter

Pad Sold Separately



Type NSP
1.575" Dia. (40mm)

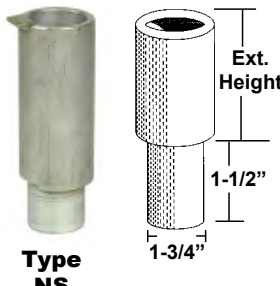
Use with Pad BH-7270-048 or BH-7820-04

1-3/4" PIN DIAMETER

Nesting Height Extension 1-3/4" OD Pin x 1-1/2" Long Pin

BH-7533-98 (Ref FJ6146) 3-1/2" Extension

BH-7533-99 (Ref FJ6147) 5" Extension



Type NS

More Styles Available—See common "Height Extensions & Adapters By Type / Style" at the beginning of this catalog!

All names, numbers, symbols and descriptions are used for reference purposes only. It is not implied that any part listed is the product of these manufacturers. SVI does not represent and is not associated in any way with any other companies.

LRC7500 • 05.28.21



Height Extensions and Adapters For Rotary Lifts

Please always confirm dimensions before ordering. Height Extensions and Adapters come in many different styles and dimensions. SVI is well-known as the adapter expert, specializing in top quality standard and custom adapters. SVI is your answer.




MANY MORE AVAILABLE!
Also see our Catalog:
Height Extensions, Adapters and Rubber Pads
Includes Nesting Style Height Extensions, Nesting Pad Adapters, Slip-On Style, Drop-On Style, Adjustable and Fixed Adapters, and more!



FOR VARIOUS MODELS

2-3/4" PIN DIAMETER

2-3/4" NUT/COLLAR OD
BH-7536-50 (Ref FJ7822-1)
Swing Arm Adapter Assembly for SPO15, SPO18, S15i, S18i, others




For Rotary

|—2-3/4"—|

Use with BH-7536-51 Rubber Adapter Pad (Ref FJ7822-2, FJ7822-2YL)

BH-7536-51 (Ref FJ7822-2, FJ7822-2YL)
Rubber Adapter Pad for SPO15, SPO18, S15i, S18i, others



2-3/4" NUT/COLLAR OD
Screw Adapter and Base with 2-3/4" Collar / Nut OD for SPO16 / SPO20

BH-7548-025 (Ref FJ71011)



For Rotary

|—2-3/4"—|

Nesting Style Height Extensions - Aluminum
Common for SPO15 and SPO18, others

- BH-7536-53A 4" Extension
- BH-7536-53 5" Extension (Ref FJ7822-4)
- BH-7536-53B 6" Extension
- BH-7536-55 7-1/2" Extension (Ref FJ7822-6)
- BH-7536-54 10" Extension (Ref FJ7822-5)



BH-7536-52 (Ref FJ822-3)
Height Extension Holder Rack for 2-3/4" Pin




Specialty Wide Adapter for 2019, 2020 and newer Chevrolet 1500 Silverado and GM Sierra Trucks - 2-3/4" Collar / Nut OD
Features 7" Wide Lifting Area • (Ref FJ7822-1x)

- BH-7536-50GMT (2) Adapters with 2-3/4" Collar & Pad
- BH-7536-50GMT-1 (1) Adapter with 2-3/4" Collar & Pad
- BH-7542-75P Replacement Pad Only
- BH-7542-75P-4 Replacement Pad Kit (4)

TYPE GMT
7" Wide Lifting Area

For SPO15, SPO18, others



2-3/4" OD Collar


Specialty Wide Adapter for 2019, 2020 and newer Chevrolet 1500 Silverado and GM Sierra Trucks - 2-3/4" Collar / Nut OD
Features 7" Wide Lifting Area • (Ref FJ71011xx)

- BH-7548-025GMT-2 (2) Adapters with 2-3/4" Collar & Pad
- BH-7548-025GMT-1 (1) Adapter with 2-3/4" Collar & Pad

Features BH-7542-75P Rectangle Rubber Pad

TYPE GMT
7" Wide Lifting Area

For SPO16, SPO20, others



2-3/4" Collar OD

Page

8

More Styles Available—See common "Height Extensions & Adapters By Type / Style" at the beginning of this catalog!
LRC7500 • 05.28.21 All names, numbers, symbols and descriptions are used for reference purposes only. It is not implied that any part listed is the product of these manufacturers. SVI does not represent and is not associated in any way with any other companies.

Height Extensions and Adapters For Rotary Lifts

Please always confirm dimensions before ordering. Height Extensions and Adapters come in many different styles and dimensions. SVI is well-known as the adapter expert, specializing in top quality standard and custom adapters. SVI is your answer.

MANY MORE AVAILABLE!
Also see our Catalog:
Height Extensions, Adapters and Rubber Pads
Includes Nesting Style Height Extensions, Nesting Pad Adapters, Slip-On Style, Drop-On Style, Adjustable and Fixed Adapters, and more!

FOR VARIOUS MODELS

BH-7500-80-1
Luxury Inner Arm Adapter 4"
for Rotary Lifts

5"
4-1/8" inside width
Replaceable Pad: BH-7101-00

BH-7500-81-1
Luxury Inner Arm Adapter 3"
for Any Lift Make with 3" Arm

5"
3-1/8" inside width
Replaceable Pad: BH-7101-00

FOR ROLLING BRIDGE JACKS

<p>BH-7514-35 (Ref FC579) Height Extension - 5" BH-7514-35A (Ref FC579x) Height Extension - 8"</p>	<p>BH-7514-77 (Ref SB100003) Rolling Jack Adapters (Set of 2) for Land Rover and other SUV / Straight Axle Vehicles</p>
<p>BH-7514-54 (Ref FC5108) Height Extension - 3" BH-7514-54A (Ref FC5108x) Height Extension - 8"</p>	

<p>BH-7525-11 (Ref FC5113) Left Sliding Base & Adapter for FC5124, others</p> <p style="text-align: center;">LEFT</p>	<p>BH-7514-53 (Ref FC577) Right Sliding Base & Adapter for FC5124, others</p> <p style="text-align: center;">RIGHT</p>	<p>BH-7514-55 (Ref FC5185-7) Left Sliding Base & Adapter for FC5269, FC5277, FC5278, FC5279, others</p> <p style="text-align: center;">LEFT</p>	<p>BH-7525-73 (Ref FC5185-10) Right Sliding Base & Adapter for FC5269, FC5277, FC5278, FC5279, others</p> <p style="text-align: center;">RIGHT</p>
---	--	---	--



Height Extensions and Adapters For Rotary Lifts


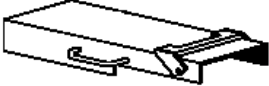



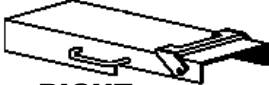
Please always confirm dimensions before ordering. Height Extensions and Adapters come in many different styles and dimensions. SVI is well-known as the adapter expert, specializing in top quality standard and custom adapters. SVI is your answer.



MANY MORE AVAILABLE!
 Also see our Catalog:
Height Extensions, Adapters and Rubber Pads
Includes Nesting Style Height Extensions, Nesting Pad Adapters, Slip-On Style, Drop-On Style, Adjustable and Fixed Adapters, and more!



FOR ROLLING BRIDGE JACKS

<p>BH-7530-69 (Ref FC5701) Left Sliding Base & Adapter for FC5655, FC5656, FC5657, FC5660, FC5661, FC5662, FC5751, others</p> <div style="text-align: center;">  <p>LEFT</p> </div>	<p>BH-7530-68 (Ref FC5700) Right Sliding Base & Adapter for FC5655, FC5656, FC5657, FC5660, FC5661, FC5662, FC5751, others</p> <div style="text-align: center;">  <p>RIGHT</p> </div>	<p>BH-7530-56 (Ref FC5682-5) Left Sliding Base & Adapter for FC5682-50, FC5710, others</p> <div style="text-align: center;">  <p>LEFT</p> </div>	<p>BH-7530-59 (Ref FC5682-6) Right Sliding Base & Adapter for FC5682-50, FC5710, others</p> <div style="text-align: center;">  <p>RIGHT</p> </div>
<p>BH-7531-85 (Ref FC5818-24) Left Sliding Base & Adapter for FC5818, RJ9000, RJ9001, RJ4100, others</p> <div style="text-align: center;">  <p>LEFT</p> </div>	<p>BH-7531-87 (Ref FC5818-37) Right Sliding Base & Adapter for FC5818, RJ9000, RJ9001, RJ4100, others</p> <div style="text-align: center;">  <p>RIGHT</p> </div>		

Height Extensions and Adapters For Rotary Lifts

Please always confirm dimensions before ordering. Height Extensions and Adapters come in many different styles and dimensions. SVI is well-known as the adapter expert, specializing in top quality standard and custom adapters. SVI is your answer.

MANY MORE AVAILABLE!
Also see our Catalog:
Height Extensions, Adapters and Rubber Pads
Includes Nesting Style Height Extensions, Nesting Pad Adapters, Slip-On Style, Drop-On Style, Adjustable and Fixed Adapters, and more!

For LIFTS WITH FLIP-UP STYLE ADAPTERS - MANY MODELS FOR ROTARY LIFTS - FOR BOTH 2-POST SURFACE MOUNT AND IN-GROUND LIFTS

Includes both Short and Long Swivel Pins—Varies Per Application.

Flip-Up Adapter Repair Kits for Rotary Lifts

SVI Part #	Ref #	Description / Details
BH-9755-36	FJ671-7	Adapter Repair Kit for 4 Arms
BH-9755-36-1	FJ671-8	Adapter Repair Kit for 1 Arm
BH-9755-20	FJ671-1	High Step Ductile Iron Adapter
BH-9755-21	FJ671-2	Low Step Ductile Iron Adapter
BH-9755-22	FJ671-3	Adapter Pivot Pin
BH-9755-25	FJ671-5	Adapter Swivel Pin (Short) for In-Ground Applications
BH-9755-25L	FJ79-6	Adapter Swivel Pin (Long) for Surface Mount Applications
BH-9755-26	FJ671-6	3/32" Hog Ring

Sleeve and Adapter Assemblies are Available in Various Sizes / Lengths. Contact SVI today!

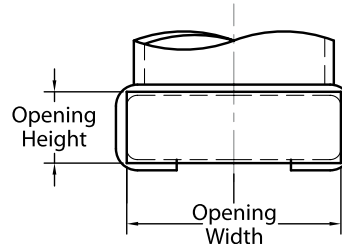
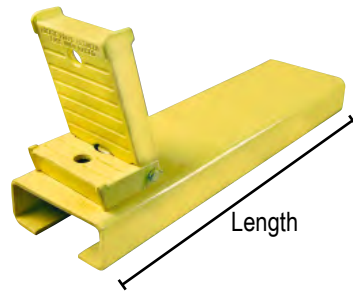
<p>BH-9755-20 (Ref FJ671-1, FJ6177) High Step Ductile Iron Adapter</p>	<p>BH-9755-21 (Ref FJ671-2, FJ6178) Low Step Ductile Iron Adapter</p>	<p>BH-9755-25 (Ref FJ671-5) Adapter Swivel Pin (Short)</p> <p>BH-9755-25L (Ref FJ79-6) Adapter Swivel Pin (Long)</p> <p style="text-align: right;"><i>Overall Height: Short: 1.375 Long: 1.625</i></p>	<p>BH-9755-26 (Ref FJ671-6) 3/32" Hog Ring</p>
<p>BH-9755-22 (Ref FJ671-3) Adapter Pivot Pin <i>Holes at both ends</i></p>	<p>BH-7533-60 (Ref FJ6179) Adapter Pivot Pin <i>Hole at one end</i></p>		



SLEEVE AND ADAPTER ASSEMBLIES

PLEASE CONFIRM DIMENSIONS

Please always confirm dimensions before ordering. Height Extensions and Adapters come in many different styles and dimensions. SVI is well-known as the adapter expert, specializing in top quality standard and custom adapters. SVI is your answer.



SVI Part #	Ref #	Length	Opening Width	Opening Height	For Lift Models / Applications:
BH-9755-31	FJ6102	21"	5-1/4"	1-27/32"	Current Style: Front Side-by-Side WRP90
BH-9755-32	FJ6103	26"	5-1/4"	1-27/32"	Current Style: Rear Side-by-Side DTO28H
BH-9760-23	FJ693	24"	5-1/4"	1-27/32"	Current Style for Rear Side by Side DTO28H
BH-9760-25	FJ692	19"	5-1/4"	1-27/32"	Current Style for Front Side by Side DTO28H and Single Post FP46A & H
BH-9755-33	FJ678	14-1/2"	6-1/8"	1-7/8"	Rounded Corner Obsolete Style
BH-9755-19	FJ671	19"	6-1/4"	1-19/32"	Old Style for Front Side-by-Side and DTO28H and Single Post FP46A & H
BH-9755-27	FJ672	24"	6-1/4"	1-19/32"	Old Style for Rear Side-by-Side DTO28H
BH-9755-28	FJ679	16"	6-1/4"	1-19/32"	Obsolete Style
BH-9755-29	FJ680	14-11/16"	6-3/8"	1-1/8"	Obsolete Style
BH-9755-30	FJ681	13-5/8"	8-3/8"	1-5/8"	Obsolete Style

BH-9755-36 (Ref FJ671-7)
Adapter Repair Kit for 4 Arms

BH-9755-36-1 (Ref FJ671-8)
Adapter Repair Kit for 1 Arm

Sleeve and Adapter Assembly Sold Individually

BH-9760-25	(Ref FJ692)	19" Long	For Front
BH-9760-23	(Ref FJ693)	24" Long	For Rear
BH-9755-31	(Ref FJ6102)	21" Long	For Front
BH-9755-32	(Ref FJ6103)	26" Long	For Rear

Opening Dimensions: 5-1/4" x 1-27/32"

BH-9755-33 (Ref FJ678, FJ625)
Sleeve and Adapter Assembly 14-1/2" Long
Sold Individually

Opening Dimensions: 6-1/8" x 1-7/8"

Sleeve and Adapter Assembly Sold Individually

BH-9755-19	(Ref FJ671)	19" Long	For Front
BH-9755-27	(Ref FJ672, FJ661)	24" Long	For Rear
BH-9755-28	(Ref FJ679, FJ654)	16" Long	

Opening Dimensions: 6-1/4" x 1-19/32"

BH-9755-29
(Ref FJ680, FJ628, FJ638)
Sleeve and Adapter Assembly 14-11/16" Long
Sold Individually

Opening Dimensions: 6-3/8" x 1-1/8"

BH-9755-30 (Ref FJ681)
Sleeve and Adapter Assembly 13-5/8" Long
Sold Individually

Opening Dimensions: 8-3/8" x 1-5/8"

Height Extensions and Adapters For Rotary Lifts

Please always confirm dimensions before ordering. Height Extensions and Adapters come in many different styles and dimensions. SVI is well-known as the adapter expert, specializing in top quality standard and custom adapters. SVI is your answer.

MANY MORE AVAILABLE!
Also see our Catalog:
Height Extensions, Adapters and Rubber Pads
Includes Nesting Style Height Extensions, Nesting Pad Adapters, Slip-On Style, Drop-On Style, Adjustable and Fixed Adapters, and more!

For LIFTS WITH FLIP-UP STYLE ADAPTERS - MANY MODELS FOR ROTARY LIFTS - FOR BOTH 2-POST SURFACE MOUNT AND IN-GROUND LIFTS

<p>SPR1 Slip-Over Protective Pad Drop-On Protective Rectangle Rubber Pad Adapter for Flip-Up <i>Protects Vehicle Undercoating</i> BH-9789-98 (Ref FJ697)</p> <div style="display: flex; justify-content: space-around; align-items: center;"> <div style="text-align: center;"> <p><i>Fits over Flip Up Adapters</i></p> <p>Opening Dimensions: 4-11/16" x 1"</p> <p>Type SPR1</p> <p>Replaceable Pad: BH-7101-00</p> </div> <div style="text-align: center;"> <p>BH-9789-98</p> <p><i>Pictured on Flip-Ups and Arm. Sold Separately.</i></p> </div> </div>	<p>BH-7502-01 (Ref FJ697) Rubber Pad Adapter (Low)</p> <p>BH-7511-68 (Ref FJ6138BK) Kit of 4 Adapters with Hanger Brackets & Fasteners</p> <div style="text-align: center;"> <p>SVI Recommends # BH-9789-98</p> </div>	<p>BH-7502-06 (Ref FJ698) Rubber Pad Adapter (High)</p> <div style="text-align: center;"> <p>Opening Dimensions: 4-5/8" x 1-5/8"</p> <p>Also See BH-7533-65 Adapter Kit</p> </div>
<p>SPR Slip-Over Protective Pad - FIXED Drop-On FIXED Height with Rectangle Rubber Arm Pad</p> <div style="display: flex; justify-content: space-around; align-items: center;"> <div style="text-align: center;"> <p><i>Fits over Flip Up Adapters</i></p> <p>Type SPR</p> <p>Opening Dimensions: 4-11/16" x 1"</p> <p>BH-9789-93 • 3" Extension BH-9789-94 • 4" Extension BH-9789-95 • 5" Extension BH-9789-96 • 6" Extension</p> <p>Replaceable Pad: BH-7101-00</p> </div> </div>	<p>ASPR Slip-Over Protective Pad-ADJUSTABLE 4" to 6" Adjustable Drop-On Height Extension with Rectangle Rubber Arm Pad BH-9789-97</p> <div style="display: flex; justify-content: space-around; align-items: center;"> <div style="text-align: center;"> <p>Opening Dimensions: 4-11/16" x 1"</p> <p><i>Fits over Flip Up Adapters</i></p> <p>Replaceable Pad: BH-7101-00</p> </div> <div style="text-align: center;"> <p>Type ASPR</p> </div> </div>	



For LIFTS WITH FLIP-UP STYLE ADAPTERS - MANY MODELS

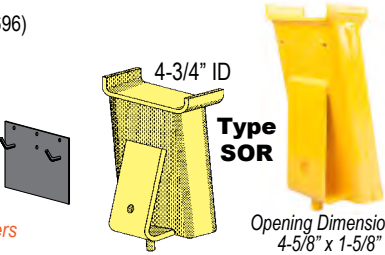
FOR ROTARY LIFTS - FOR BOTH 2-POST SURFACE MOUNT AND IN-GROUND LIFTS

Please always confirm dimensions before ordering. Height Extensions and Adapters come in many different styles and dimensions. SVI is well-known as the adapter expert, specializing in top quality standard and custom adapters. SVI is your answer.

SOR Drop-On Extension Without Pad

BH-9755-50 (Ref FJ696YL, FJ696)
9" Drop-On Height Extension without Pad

For Kit with Brackets, See BH-9755-50S or BH-7533-65



4-3/4" ID
Type SOR
Opening Dimensions: 4-5/8" x 1-5/8"

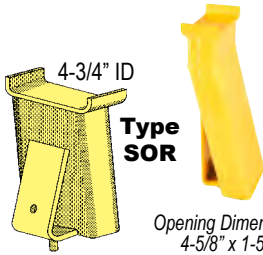
Fits over Flip Up Adapters

NOTE: Also available as wide style GMT Adapters for use with 2019, 2020, and newer Chevrolet 1500 Silverado and GMC Sierra Trucks.

SOR Drop-On Extension Without Pad

BH-9755-50A (Ref FJ6196)
12" Drop-On Height Extension without Pad

For Kit with Brackets, See BH-9755-50SL



4-3/4" ID
Type SOR
Opening Dimensions: 4-5/8" x 1-5/8"

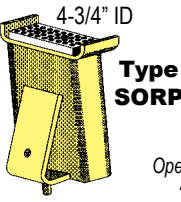
Fits over Flip Up Adapters

NOTE: Also available as wide style GMT Adapters for use with 2019, 2020, and newer Chevrolet 1500 Silverado and GMC Sierra Trucks.

SORP Drop-On Extension With Pad

BH-9755-50B (Ref FJ6101)
9" Drop-On Height Extension with Pad

Replaceable Pad: BH-9755-50-1
Don't forget Hanger Brackets: BH-9755-50H



4-3/4" ID
Type SORP
Opening Dimensions: 4-5/8" x 1-5/8"

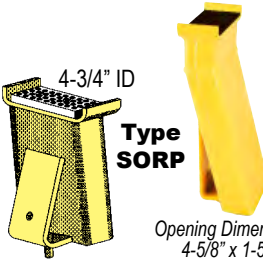
Fits over Flip Up Adapters

NOTE: Also available as wide style GMT Adapters for use with 2019, 2020, and newer Chevrolet 1500 Silverado and GMC Sierra Trucks.

SORP Drop-On Extension With Pad

BH-9755-50C
12" Drop-On Height Extension with Pad

Replaceable Pad: BH-9755-50-1
Don't forget Hanger Brackets: BH-9755-50H



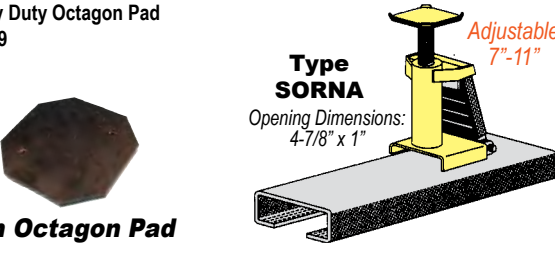
4-3/4" ID
Type SORP
Opening Dimensions: 4-5/8" x 1-5/8"

Fits over Flip Up Adapters

NOTE: Also available as wide style GMT Adapters for use with 2019, 2020, and newer Chevrolet 1500 Silverado and GMC Sierra Trucks.

SORNA Screw-Up Drop-On - ADJ.

Slip-On Adjustable Spin-Up Height Extension with Heavy Duty Octagon Pad
BH-9755-49



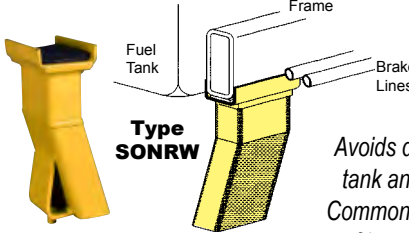
Adjustable 7"-11"
Type SORNA
Opening Dimensions: 4-7/8" x 1"

With Octagon Pad
Replaceable Pad: BH-7235-90AX

Fits over Flip Up Adapters

SONRW Narrow Drop-On Extension

For Close to Frame Obstructions
BH-9755-48 • 9" Drop-On Height Extension with Pad



Fuel Tank
Frame
Brake Lines
Type SONRW
Replaceable Pad: BH-9900-10

Fits over Flip Up Adapters

Avoids denting or puncturing fuel tank and smashing brake lines. Commonly sold for use on the rear of late model trucks and SUVs.

Specialty ADJUSTABLE For Mini-Vans with Running Boards

Adjustable Adapter and Mounting Rack Kit (Set of 4 Adapters with Pads)

BH-7500-90 (Ref FJ6137)

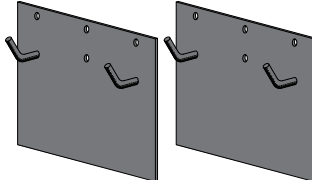


Fits over Flip Up Adapters

Replaceable Pads: BH-7508-61-4

Hanger Brackets

BH-9755-50H (Ref FJ6114)
Hanger Brackets - Set of 2
For Pre-Drilled Columns or Wall Mounting.



This pair of brackets holds (4) BH-9755-50 Series Extensions

Also See BH-9755-50S for a set of 2 Hangers and 4 (BH-9755-50) Height Extensions.

P
a
g
e

For LIFTS WITH FLIP-UP STYLE ADAPTERS - MANY MODELS

FOR ROTARY LIFTS - FOR BOTH 2-POST SURFACE MOUNT AND IN-GROUND LIFTS

Please always confirm dimensions before ordering. Height Extensions and Adapters come in many different styles and dimensions. SVI is well-known as the adapter expert, specializing in top quality standard and custom adapters. SVI is your answer.

BH-9755-50S (Ref FJ6115)
9" Drop-On Height Extension Adapters and Rack Set
 Kit Includes (4) BH-9755-50 (Ref FJ696YL) Adapters
 and BH-9755-50H (Ref FJ6114) Hanger Brackets - Pair

4-3/4" ID

Fits over Flip Up Adapters

Type SOR

Also See Adapter Kit BH-7533-65 (Ref FJ6100)

BH-9755-50SL (Ref FJ6195)
12" Drop-On Height Extension Adapters and Rack Set
 Kit Includes (4) BH-9755-50A (Ref FJ696YL) Adapters
 and BH-9755-50H (Ref FJ6114) Hanger Brackets - Pair

Fits over Flip Up Adapters

Type SOR

BH-7533-65 (Ref FJ6100)
Adapter Kit with Hanger Bracket Rack Kit

Kit Includes:

(4) BH-9755-50 (Ref FJ696)	9" Drop-On Height Extension <i>(No Pad)</i>
(4) BH-9789-98 (Ref FJ697)	Protective Rubber Pad Adapter
(4) BH-7502-06 (Ref FJ698)	Rubber Pad Adapter (High)
(1) BH-7533-70 (Ref FJ6108)	Mixed Rack Kit Brackets Set

Type SOR
Fits over Flip Up Adapters

Hanger Brackets Included

BH-7533-68 (Ref FJ6104)
Adapter Kit with Hanger Bracket Rack Kit

Kit Includes:

(4) BH-9755-50B (Ref FJ6101)	9" Drop-On Height Extension <i>w/ Pad</i>
(4) BH-9789-98 (Ref FJ697)	Protective Rubber Pad Adapter
(4) BH-7502-06 (Ref FJ698)	Rubber Pad Adapter (High)
(1) BH-7533-70 (Ref FJ6108)	Mixed Rack Kit Brackets Set

Type SORP
Fits over Flip Up Adapters

Hanger Brackets Included

BH-7533-69 (Ref FJ6105)
Adapter Kit with Hanger Bracket Rack Kit

Kit Includes:

(2) BH-9755-50 (Ref FJ696)	9" Drop-On Height Extension <i>No Pad</i>
(2) BH-9755-50B (Ref FJ6101)	9" Drop-On Height Extension <i>with Pad</i>
(4) BH-9789-98 (Ref FJ697)	Protective Rubber Pad Adapter
(4) BH-7502-06 (Ref FJ698)	Rubber Pad Adapter (High)
(1) BH-7533-70 (Ref FJ6108)	Mixed Rack Kit Brackets Set

Fits over Flip Up Adapters

Type SOR / SORP

4-3/4" ID

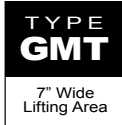
More Styles Available—See common "Height Extensions & Adapters By Type / Style" at the beginning of this catalog!



For LIFTS WITH FLIP-UP STYLE ADAPTERS - MANY MODELS

FOR ROTARY LIFTS - FOR BOTH 2-POST SURFACE MOUNT AND IN-GROUND LIFTS

Please always confirm dimensions before ordering. Height Extensions and Adapters come in many different styles and dimensions. SVI is well-known as the adapter expert, specializing in top quality standard and custom adapters. SVI is your answer.



Specialty Lift Adapters

FOR 2019, 2020 AND NEWER

Chevrolet 1500 Silverado and GMC Sierra Truck Models



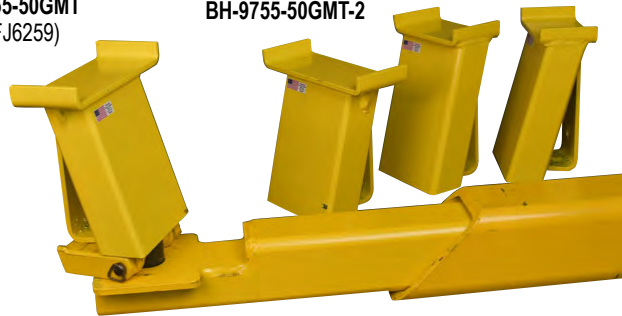
Made in the USA



Adapter Kit for Use over Flip-Ups
 BH-9755-50GMT
 (ref FJ6259)

Front
 BH-9755-50GMT-1
 BH-9755-50GMT-2

Rear
 BH-9755-50GMT-3
 BH-9755-50GMT-4



Front Adapters have 7" Wide Lifting Area



Inside Dimensions:
 4-5/8" x 1.61"

FOR ANY ROTARY MODEL WITH FLIP-UP ADAPTERS

BH-9755-50GMT	FJ6259	Flip-Up Adapter Height Ext KIT (Set of 4)
	FJ6259KIT	Includes (2) Front / (2) Rear

BH-9755-50GMT-1	FJ6259x	Flip-Up Height Ext - Front
BH-9755-50GMT-2	FJ6259xx	Flip-Up Height Ext - Front (Set of 2)
BH-9755-50GMT-3	FJ6259xxx	Flip-Up Height Ext - Rear
BH-9755-50GMT-4	FJ6259xxx	Flip-Up Height Ext - Rear (Set of 2)

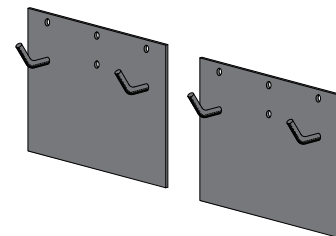
BH-9755-50H-GMT	FJ6114x	Hanger Brackets for BH-9755-50GMT
-----------------	---------	-----------------------------------

On-going SVI engineering and production activities are occurring to provide lifting adapters for many makes and models of lifts so the new 2019, 2020 and after GM Trucks can be correctly accommodated on virtually any lift. SVI employs a professional staff of engineers who are well-suited to design products to satisfy the requirements and internal self testing is also routinely performed, where applicable.

SOLD SEPARATELY:

BH-9755-50H-GMT (Ref FJ6114-x)
Specialty Wide-Style Hanger Brackets (Set of 2)
 for BH-9755-50GMT

Each pair of brackets holds
 (4) BH-9755-50GMT Series Adapters



Have another type of lift? Call 800-321-8173 for GMT style adapters for any lift make.



FOR VARIOUS PAD LIFTS AND LOW RISE / MID RISE MODELS

RUBBER PADS

FOR SPO82, SPOA82, WOA83, SL9-FP, SL90204

- BH-9756-25 (Ref FJ2252-5, FJ2195-4-KIT) Standard Replacement Pad (1)
- BH-9756-26 (Ref FJ2252-6 / FJ2195-5-KIT) Heat Resistant Pad

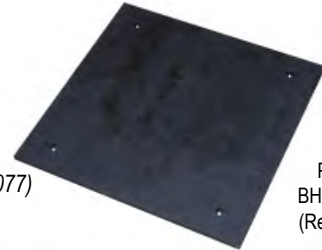
Other Pads Available!
Call SVI Today!

FOR SPOA82 (100-199 Series, 200-299 Series, 300 Series)

- BH-7528-26 (Ref N22-7) Rubber Pad (Left Front)
- BH-7528-13 (Ref N21-12) Rubber Pad (Right Front)
- Call SVI (Ref N217-5) Rubber Pad (Left Rear)
- Call SVI (Ref N216-9) Rubber Pad (Right Rear)

FOR SPOA82 (500 Series), A7Pi

- BH-7546-002 (Ref FJ2433) Rubber Pad with Reinforcement
- Dimensions: 18-7/8" x 19-5/8" x 1/2" Thick
- Bolts Sold Separately: BH-7546-002B (Ref 40077)



Pictured
BH-7546-002
(Ref FJ2433)

FOR MPFXA, MPFXE

- BH-9756-26 (Ref FJ2252-6) Heat Resistant Pad

FOR PFX-1

- BH-7505-10 (Ref FJ2195-3) Rubber Pad (right front)
- BH-7505-13 (Ref FJ2196-20) Rubber Pad



FOR PFXA, PFXE, SL29-FP, SL28

- BH-9756-25 (Ref FJ2252-5, FJ2195-4-KIT) Standard Replacement Pad (1)
- BH-9756-26 (Ref FJ2252-6 / FJ2195-5-KIT) Heat Resistant Pad

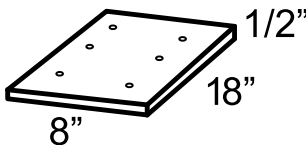
FOR VLX6 SERIES AND VLXS6

- BH-7546-002 (Ref FJ2433) Rubber Pad with Reinforcement for VLX6 Series

FOR PF10A-100 / PF10H-100 AND ABOVE, PT20H-11, PT20H MKIII, SL29-SPA, SL9-SPA, OTHERS

Dimensions 18" x 8" x 1/2"

- BH-7505-12 (Ref FJ2177-2) Rubber Pad (1)
- BH-7505-12K (Ref GP1012) Rubber Pad Kit (Set of 4)





SVI's Product Line is Vast

CONTACT US TODAY IF THERE'S SOMETHING YOU CAN'T FIND

800-321-8173 • 815-748-0200 • www.sviinternational.com



Shims for 3/4" Wedge and Screw Anchors

Color Coded Shims are In-Stock! Order Today!

BH-7512-92	Assortment	150 Shims (50 each)
BH-7512-90	1/16" Blue	Pack of 50
BH-7512-91	1/8" Red	Pack of 50
BH-7512-89	1/4" Black	Pack of 50

HEAVY DUTY PLASTIC SLOTTED SHIMS

Extra-thick shims make it easy to level and align 2- and 4-post surface mount lifts. These rugged plastic shims will not corrode, rot or rust. A must-have for every professional lift installer in the industry.



Installation Kits Available

Installation Supplies

- Carbide Drill Bits
- Core Bits
- Epoxy and Adhesives
- Wedge Anchors
- Screw Anchors
- Rebar Cutters and Adapter
- Rod Seal Install Tools
- Safety & Inspection Stickers

Many Sizes Available!

Available!



Simpson Carbide Drill Bits *Many Options and Sizes Available!*

BH-7064Q-12-21 (Drilling Depth 16" / 3/4" dia.) SDS Max Quad Head Bit

BH-7065Q-12-23 (Drilling Depth 18" / 3/4" dia.) Spline Shank Quad Head Bit

BH-7065Q-12-16 (Drilling Depth 11" / 3/4" dia.) Spline Shank Quad Head Bit



Wheel / Tire Hanger Kits

Increase Efficiency • For Any Budget



SF-92100
Set of 2

BH-7545-70K-4 Kit of 4
BH-7545-70K Individual
Includes Hardware



Wedge Anchors
Many Sizes Available!
BH-7075-03
3/4" x 5-1/2"

Ask How to Get Free Shipping on Wedge Anchors!



Screw Anchors
Many Sizes Available!
BH-7075-26
1/2" x 4"
BH-7075-37
3/4" x 5"



Rod Seal Install Tool Set
BH-7079-01
Includes 3 Install Tools to Service 3/4" ID Seals up to 3" ID Seals



Inspection Stickers
Roll of 250
BH-7011-11

ASK FOR OUR INSTALLATION SUPPLIES CATALOG

Air / Hydraulic Pumps for Rolling Bridge Jacks

Options Available—Call Today!

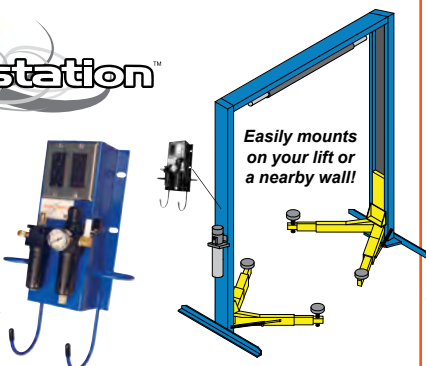


Vehicle Lifts and Lifting Equipment

New Lifts for Cars, Trucks, Buses, Motorcycles, UTVs and More
Replacement Cylinders Sections & Kits • Turf Trays for 2-Post Lifts



POWER STATION™
AIR / ELECTRIC
4 Colors Available



Easily mounts on your lift or a nearby wall!

SVI's Product Line is Vast

CONTACT US TODAY IF THERE'S SOMETHING YOU CAN'T FIND

800-321-8173 • 815-748-0200 • www.sviinternational.com

INCREASE EFFICIENCY • ELIMINATE COSTLY DAMAGE TO DOORS • REDUCE STRESS OF SHOP TECHNICIANS

doorjammer **PRO**™
Durable • Impact Resistant

A Must-Have for All 2-Post Lifts!

Available in 2 Sizes!

- BH-7077-02-2S 12" tall x 18" wide
- BH-7077-02-2 24" tall x 18" wide

Prevents Door Dings!
Just one damaged door can cost
3 times as much as a simple investment
in one SVI doorjammerPRO™.



Auto Lift Cables and Chain Sheaves / Pulleys / Chain Rollers



TURF AND UTILITY TRAYS

FOR 2-POST LIFTS
SYMMETRIC / ASYMMETRIC

The #1 Choice for
Symmetric or Asymmetric
2-Post Surface Mount Lifts
and In-Ground
Side-By-Side, too!



Hose Reel Hose Stops

Options Available—Call Today!



Auto Lift Power Units and Parts

Call SVI today!



Tire Changer Parts and Accessories

For Most Makes and Models

See our *Tire Changer Repair Parts Catalog!*



Brake Lathe Repair Parts

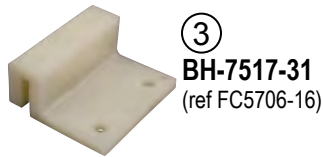
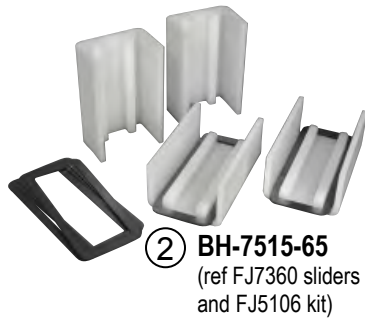
For Most Makes and Models

See our *Brake Lathe Repair Parts Catalog!*





Commonly Requested Parts



Slider Blocks and Shims

Sold individually unless specified otherwise as a kit.

Item	SVI Part #	Ref #	Description
1	BH-7510-03	FJ7360	Slider Block (1) for Rotary (Black) 5-1/2" x 3" x 2" (8 required per lift)
2	BH-7515-65	FJ5106 (kit)	Shim and Slider KIT - Includes 8 Shims and 4 Slider Blocks — 4-1/2" x 3" x 2"
2a	BH-7515-65A	FJ5106x	Slider Block Only
2b	BH-7515-65B	FJ5106xx	Shim Only
3	BH-7517-31	FC5706-16	Slider Block (1) (cross member) for SM90, SM91, SM121, SM122, SM123, SMO123, others
4	BH-7531-70	FC5812-10	Slider Block (1) for SM180 / SM181
5	BH-7532-14	FC622Y	Slider Block (1) for ARO14
6	BH-7508-99	FC5301-97	Slider Block (1) - Has 1 Hole Dim: 5" x 2-1/2"
7	BH-7525-85	FC5185-67	Slider Block (1) for Many Rolling Bridge Jacks
8	BH-7525-86	FC5185-68	Top Slider Block (1) for Many Rolling Bridge Jacks
9	BH-7510-01	FJ7236 / FJ7312	Slider Block (1) Sold Individually for SP55, SP80, SP84, SPO84, SPOA84, SP94, others
--	BH-7510-00	FJ7278	Slider Block Kit - Replaces Rollers
--	BH-7510-02	FJ7263-1	Slider Block Carrier / Bracket
10	BH-7504-55	FJ7813-1	Slider Block (1) SPO15 / SPO16 / SPO18 / SPO18
11	BH-7528-10	N167-1	10" Long Slider Block (1) for Early SPO15 Pre-100 Series

NOT PICTURED:

-	BH-7502LP-060	XX140008	Slider Block - Upper
-	BH-7502LP-063	XX140007	Slider Block - Lower
-	BH-7502LP-103	XX140055	Slider Block
-	BH-7502LP-117	XX100017	Replacement Slider Block KIT for 1 Lift
-	BH-7516-77	FJ5529-12	Slider
-	BH-7520-93	S130088	UHMW Column Slider for SM7, SMXL7
-	BH-7528-04	N115	Slider Block Shim
-	BH-7540-16	ML10-133	Slider Block Shim 22 Gauge
-	BH-7540-18	ML10-134	Slider Block Shim 14 Gauge
-	BH-7540-26	ML10-142	Slider Block

Roller and Slider Kits

SVI Part #	OEM#	Description
BH-7531-68K12	S100097KIT	Roller and Slider KIT for 12K Kit includes (8) Rollers, (4) Wheel Bearings, (4) Sliders, (4) Sliders for Open Yoke, (4) Roller Wheel Covers, (8) Spacers
BH-7531-68K14	S100124	Roller and Slider KIT for 14K Kit includes (8) Rollers, (4) Wheel Bearings, (12) Sliders, (4) Roller Wheel Covers, (8) Spacers, (4) Capscrews, (4) Washers



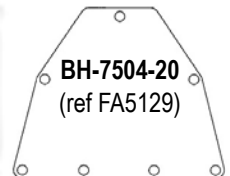
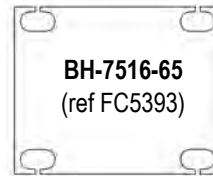
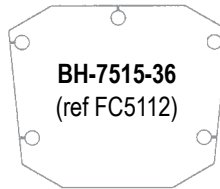
BH-7531-68K12 PICTURED

① BH-7503-65



Commonly Requested Parts

BH-7503-65S ②



Overhead Switch / Housing

Item	SVI Part #	OEM #	Description
1	BH-7503-65	N413	OH Limit Switch in Housing (has BH-7503-65S Switch Inside)
2	BH-7503-65S	N413-1	Switch

Full-Size Shims for Rotary Lift Column Base

SVI #	OEM#	Description
BH-7515-36	FC5112	Full Size Steel Shim Kit for Many 2-Post Lifts including SPOA7, SPO9, SPOA9, SPO10, SPOA10, many more, and also SMO123 4-Post
BH-7515-36A	FC5112-2	Full Size Steel Shim 1/16" thick
BH-7515-36C	FC5112-1	Full Size Steel Shim 1/4" thick
BH-7516-65	FC5393	Full Size Steel Shim Kit for SPO12, others
BH-7516-65A	FC5393x	Full Size Steel Shim 1/16" thick
BH-7516-65B	FC5393x	Full Size Steel Shim 1/4" thick
BH-7504-20	FA5129	Full Size Steel Shim Kit for SPO12/A7LC, others
BH-7504-20A	FA5129	Full Size Steel Shim 1/16" Thick
BH-7504-20C	FA5129	Full Size Steel Shim 1/4" Thick



Disconnect
Switch for
Inbay

BH-9786-67
(Ref T100155)



Pushbutton
Switch for
Inbay

BH-7521-17
(Ref FA7500-3)



Up / Down
Pushbutton
Switch for
Inbay

BH-7521-18
(Ref FA7500-2)

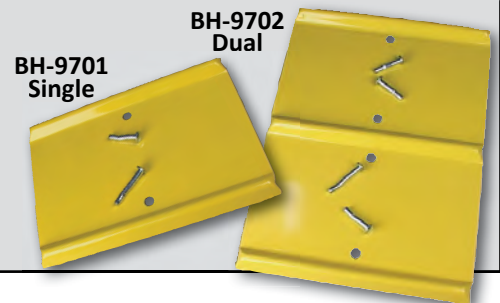


Power Unit Hose
68" Long with Female Ends

SVI Part #	Ref #	Description
BH-7512-41	FJ837	Power Unit Hose 68"

Wheel Spotting Dish 15" Wide!

SVI offers the Widest Spotting Dishes in the Industry!
15" wide and fits a large variety of vehicles



① BH-7528-94

BH-7545-01A ②



Cable Guide / Bracket

Item	SVI Part #	OEM #	Description
1	BH-7528-94	N69	Latch Cable Guide
2	BH-7545-01A	N618	Cable Guide
2	BH-7545-01	N619	Cable Bracket



Bumper - 50' Roll

SVI Part #	Ref #	Description
BH-7512-62	95016	Bumper - 50' Roll



FRL Filter Regulator Lubricator
for Many Rotary Lift Models

including AR12, SM12, ARO12,
SMO12, SM14, AR14, SMO14, SMO14S,
SMO14L, SMO14EL2, ARO14, SM18,
Y12, YA12, and others.

BH-7545-97 (Ref S130080, 24101)



Commonly Requested Parts for Rolling Jacks



BH-7504-05 / BH-7504-14
BH-7515-42 / BH-7504-22
 See Chart—2200 thru 3400psi

Rolling Jack Pumps for Rotary

SVI #	Old Pump #	Description	psi
BH-7515-42	FC5826	FA5117 pump conversion kit	2200psi
BH-7515-42	FC5882	FA5117 pump conversion kit	2200psi
BH-7515-42	FC5269-4	FA5117 pump conversion kit	2200psi
BH-7515-42	FC5947	FA5117 pump conversion kit	2200psi
BH-7504-14	FC5827	FA5120 pump conversion kit	2500psi
BH-7504-14	FC5275-3	FA5120 pump conversion kit	2500psi
BH-7504-14	FC5185-53	FA5120 pump conversion kit	2500psi
BH-7504-14	FC5185-53BK	FA5120 pump conversion kit	2500psi
BH-7504-14	FC5948	FA5120 pump conversion kit	2500psi
BH-7504-14	FC5883	FA5120 pump conversion kit	2500psi
BH-7504-05	FC5270-1	FA5121 pump conversion kit	3200psi
BH-7504-05	FC5270-3	FA5121 pump conversion kit	3200psi
BH-7504-05	FC5278-1	FA5121 pump conversion kit	3200psi
BH-7504-05	FC5819	FA5121 pump conversion kit	3200psi
BH-7504-05	FC5884	FA5121 pump conversion kit	3200psi
BH-7504-05	FC5889	FA5121 pump conversion kit	3200psi
BH-7504-22	FC5824	FA5135 pump conversion kit	3400psi
BH-7504-22	FC5885	FA5135 pump conversion kit	3400psi
BH-7514-21	FA562-1	FC5163 pump	6000psi
SVI #	Ref	Description	psi
BH-7544-98	FA5965Z	Hydraulic Pump	3200 psi
BH-7504-38	FC5966Z / FC5972	Hydraulic Pump	3600psi

Also see SVI's Air / Hydraulic Pumps Brochure for a Variety of Options



Air / Hydraulic Pump 6000psi
BH-7514-21 (Ref FA562-1, FC5163)

Rolling Jack Pumps Parts for BH-7514-21 / FA562-1 / FC5163

SVI #	xref #	Description
BH-7514-21	FA562-1 / FC5163	Air / Hydraulic Pump 6000 psi
BH-7509-88	DC1393070, FC5163-4	Pump Handle
BH-7509-87	FC5163-3, U96204398	Pump Handle Cover
BH-7518-63	DA5290.900SR1	Lowering Valve
BH-7518-63	DA3419.900	Lowering Valve
BH-7518-53	CL344.167	Gasket
BH-7518-18	CB219.044	V Retaining Ring
BH-7518-03	A8009.108	Washer
BH-7518-40	CH210.110	Spring
BH-7518-17	CB180.040	Plunger
BH-7518-22	CB576.290	Ball Seat
BH-7518-47	CH813.110, DA5370110	Spring
BH-7518-66	DA658.900SR	Air Motor Kit
BH-7518-62	DA348.900W, DA348.900SR	Operating Button Assembly
BH-7518-05	A8093.098	Rubber Boot
BH-7514-75	PA133K1R	Air Motor Kit



BH-7509-88
 (Ref FC5163-4 DC1393070)
Pump Handle



BH-7509-87
 (Ref FC5163-3, U96204398)
Pump Handle Cover



The next time you relocate a lift use SVI Ultrawedge Full Thread Wedge Anchors. Ask for BH-7075-03

Commonly Requested Parts for Rolling Jacks

Order
BH-7544-95
for double the
parts shown

BH-7544-73WK



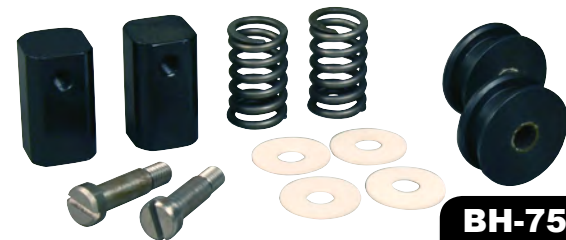
BH-7530-76 (ref FC665)
Axle / Roller Kit

For RJ4501 / RJ6000 End Assembly

SVI #	OEM Ref #	Description
-- BH-7544-73WK		Wheel Kit (1) Also see BH-7544-95 (Flat Wheel is 2" OD x 0.5")
-- BH-7544-95	SB100005	Wheel Kit (set of 2) • Order 2 for 1 Rolling Jack (Flat Wheel is 2" OD x 0.5")
a BH-7544-74	SB700002	Wheel Clip
b BH-7544-75	SB700001	Bumper
c BH-7544-73	SB700005	RJ Wheel (only available in kit)
d BH-7544-76	SB700004	Wheel Pin
e BH-7544-76A	SB700003	Wheel Bearing

For RJ4500 / RJ6000-R End Assembly

SVI #	OEM Ref #	Description
BH-7530-76	FC665	Axle/Roller Kit Set of 4 Wheel Assemblies, (4) Springs, (8) Steel Slugs, (4) Cable Ties
BH-7532-06	FC5895	Direct Loaded Wheel Assembly
BH-7514-74	FC5895-6	Spring



BH-7517-08
2 Kits Required
Per Rolling Jack



BH-7514-74
(Ref FC5895-6)
Spring



BH-7532-06
(Ref FC5895)
Wheel Assembly

Square Guide Axle Kit (For 6000 lb.)

SVI #	Ref #	Description
BH-7517-08	FC5412	Square Guide Axle KIT (2 kits required per rolling jack)

INCLUDES:

BH-7514-06	FC67-28	2 - Inner Guide
BH-7514-08	FC67-29	2 - Axle
BH-7514-03	FC5277-20	4 - Washer
BH-7514-05	FC5277-10	2 - Spring
BH-7514-01	FC5185-51	2 - Wheel



Seal Kits for 2- and 4-Post Surface Lifts

For Lift Models Part #	SVI Seal Kit Part #	SVI Cylinder Part #
SP70 and SP74	BH-7511-09	BH-7503-95
SP80 to SP80-3	BH-7511-12	BH-7511-01
SP84 to SP84-7	BH-7511-14 BH-7511-11	
SP55, SP80-4, SP80-5, SP84-8, SP84-9, SP84-10, SP84-11, SP84-16, SPO84, SPOA84, AR94, SP94, SPO94, SPOA84LC	BH-7511-10* BH-7511-11** BH-7511-10U*** BH-7511-10E (blue seal only)	BH-7511-06
AR98, ARO98, SPO82, SPOA82, SP88, SP98, SPO88, SPOA88, DCOA7, SPOA98	BH-7511-10* BH-7511-11** BH-7511-10U*** BH-7511-10E (blue seal only)	BH-7511-03
AR9, ARO9, SP7, SPO7, SPOA7, SP9, SPO9, SPOA9, TLO7	BH-7511-10* BH-7511-11** BH-7511-10U*** BH-7511-10E (blue seal only)	BH-7508-53
SPO12-10	BH-7511-10* BH-7511-11** BH-7511-10U*** BH-7511-10E (blue seal only)	BH-7508-53
SPO10, SPOA10	BH-7545-11 68" Stroke/Rise	BH-7545-15
SPO10-500 to -700 SPOA10-500 to -700	BH-7546-038	(For ref N380Y United Hydraulics Cyl)
A7IP, SPO10, SPOA10, A10IB, A10IP, SPO40, SPO54, S10IB, S10IP	BH-7545-13 71" Stroke/Rise	BH-7545-12 BH-7545-12F
SPO12, SPO15, SPO18	BH-7535-24* BH-7535-25**	BH-7535-26
SPAKC7, SPOA7LC	BH-7535-30	BH-7535-31
FLS12, FLS15	BH-7512-22SK	BH-7516-23
AR90, AR91, SM90, SM91, CWA90	BH-7513-01* BH-7513-02**	BH-7517-17 (clevis style) BH-7513-61 (bracket style)
AR120, AR121, SM101, SM120 SM121, CWA120, QL4P	BH-7501-63* BH-7501-64**	BH-7517-18
AR123, SM123, SMO123, etc.	BH-7531-42U	call
SM123-10	BH-7544-96P*	call
AR122, ARO122, SM122, QL4P	BH-7531-42	BH-7517-18
SM181	BH-7531-69	BH-7531-65
SM250, SM500m, SM600	BH-7531-24A	BH-7531-24



BH-7511-09
(Ref FJ76-12)



BH-7511-12
(Ref FJ720-12)



BH-7511-14
(Ref FJ720-30)



BH-7511-10
(Ref FJ793-12MF)



BH-7511-11
(Ref FJ793-12TH)



BH-7511-10U • Universal
(Ref FJ783-12U)



BH-7545-11
(Ref N342-12)



BH-7545-13
(Ref N343-13)



BH-7535-24
(Ref FJ7604-12HP)



BH-7535-25
(Ref FJ7604-12TH)

*picture
not on file*



BH-7535-30
(Ref FJ7606-12TH)

BH-7512-22SK
(Ref FC5155-10)



BH-7513-01
(Ref FC537-12MF)



BH-7546-038
(Ref N380Y-9180)

* This cylinder will have the word "PACOMA" stamped on the barrel.

** This cylinder will have no markings or TH or TX, which means it was produced by Texas Hydraulic.

*** Universal Seal Kit; It contains all of the seals from both kits. Carry this kit and be ready, regardless.

**(Seal Kit Pictures Continue
on the Following Page)**



Seal Kits for 2- and 4-Post Surface Lifts *(continued)*



BH-7513-02
(Ref FC537-12TH)



BH-7501-63
(Ref FC542-12MF)



BH-7501-64
(Ref FC542-12TH)



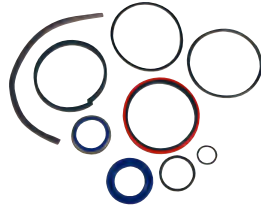
BH-7531-42
(Ref FC5797-TH)



BH-7531-69
(Ref FC5810-38-12TH)



BH-7531-42U
(Ref FC5797-TH-UN)



BH-7544-96P
(Ref S130002-12PC)

*picture
not on file*

BH-7531-24A
(Ref 15474)

Seal Kits for Mid- and Low-Rise Lifts

For Lift Models Part #	SVI Seal Kit Part #	SVI Cylinder Part #
PAL4, PAL5E	BH-7512-65	BH-7515-51
PAL5E	BH-7511-08* BH-7511-08A*	BH-7505-01
PAL7	BH-7532-85P* BH-7532-85**	BH-7505-02
MPAL8	BH-7532-85	BH-7505-03
MR6	BH-7512-55	BH-7512-59
PFX, MPFX, PLS6	BH-7532-85	BH-7505-02
VM6, VMP6A, VMP6E	BH-7512-55	BH-7512-59
VL6, VLD6, VLS6, VLX6, VLXS6	BH-7532-85	BH-7505-02

*picture
not on file*



BH-7512-65
(Ref FJ2435)

BH-7511-08
(Ref FJ294-3-12MF)



BH-7532-85
(Ref FJ2248-12TH)



BH-7512-55
(Ref FJ860-12TH)

SVI got its start as a seal company specializing in the supply and design of seals for OEMs and distribution. Our seal knowledge is vast and because of this, we excel in a broad variety of sealing applications.

*did you
know?*

These applications include:

- Motor Sports • Construction Equipment
- Lubrication Equipment • Petroleum Equipment
- Drivetrain Components • Tire Changer Equipment
- Automotive Equipment • Fluid Delivery Systems
- Heavy Duty Vehicle Lifts • and more...

P
a
g
e



Seal Kits for Rolling Jacks

For Lift Models Part #	SVI Seal Kit Part #	SVI Cylinder Part #
FC5124	BH-7516-04	BH-7514-44
FC5269, FC5277, FC5278, FC5279	BH-7516-03	BH-7516-24
FC5655, FC5656, FC5657, FC-5655-50, FC5656-50, FC5657-50	BH-7530-41	BH-7509-71
FC5818	BH-7511-17	BH-7531-84
FC5341	BH-7519-10	BH-7509-60
FC5710	BH-7509-93	BH-7509-92



BH-7516-04
(Ref FC5409)



BH-7516-03
(Ref FC5410)



BH-7530-41
(Ref FC5642-12TH)



BH-7511-17
(Ref FC5818-18-12TH)



BH-7519-10
(Ref 10649)

*picture
not on file*

BH-7509-93
(Ref FC5711-12TG)

For more details and pictures on Rotary seal kits, please see our Reference Guide for Hydraulic Seal Kits and Cylinders for Rotary.



Wipers and Bearings for 2-Post In-Ground Cassette Lifts

SVI Part #	X-Ref	Size	Description
BH-9786-09	T120054	6-1/2"	Bearing Bronze/TFE "T" Shape
BH-9786-16	T140076	6-1/2"	Wiper UHMW w/SS Spring
BH-9786-19	T140147	6-1/2"	Bearing UHMW
BH-9786-21	T140085	6-1/2"	Bearing Bronze/TFE
BH-9786-22	T140098	8-1/2"	Bearing
BH-9786-23	T140118	8-1/2"	Wiper UHMW w/SS Spring
BH-9786-24	T140148	8-1/2"	Bearing UHMW



Seal Kits for 1- and 2-Post In-Ground Lifts

For Lift Models Part #	SVI Seal Kit Part #	SVI Cylinder Part #
SL19	BH-7535-24* BH-7535-25**	BH-7535-26
SL28, SL28002, SL28003, SL28004, SL9, SL9-RA SL9-SPA, SL9-BU, SL90509, SL90510	BH-7511-10* BH-7511-11** BH-7511-10U*** BH-7511-10E (blue seal only)	BH-7508-53
SL29	BH-7545-11	BH-7545-15
SL29, SL29I, SL210, SL210I, SL212, SL212I	BH-7545-13	BH-7545-12 BH-7545-12F
JF34, JF218, JF120	BH-1777	n/a
Newer Style 8-1/2" Seal serial numbers JG188/up	BH-1706 See BH-1706HU alternate version option on the following page	n/a
Newer Style 8-1/2" Seal with bearings JG188/up	BH-9786-20	n/a serial number
Newer Style 10-5/8" Seal serial numbers JK1203, JK1400/up	BH-9762-81K	Yes, available
Single Spring-Style Seals	BH-1721 8-1/2" Plunger BH-1799 10-5/8" Plunger	Yes, available
Single Spring-Style Seals with gland and bleeder	BH-1721/21B 8-1/2" Plunger BH-1799/99B 10-5/8" Plunger	n/a
Upper Bearing Kits	for 8-1/2" Plunger BH-9762-01 or BH-9762-01 ATF for 10-5/8" Plunger BH-9762-02 or BH-9762-02 ATF	n/a
Two Spring-Style 12-5/8" MOD30	BH-1708 BH-9786-71 (Top Seal Kit)	Yes, available
MOD30	BH-9786-72 (Bottom Seal Kit)	



BH-7535-24
(Ref FJ7604-12HP)



BH-7535-25
(Ref FJ7604-12TH)



BH-7511-10
(Ref FJ783-12MF)



BH-7511-11
(Ref FJ783-12TH)



BH-7511-10U
(Ref FJ783-12U)
Universal



BH-7545-11
(Ref N342-12)



BH-7545-13
(Ref N343-13)



BH-1777
(Ref JF218)



BH-1706
(Ref JG227)



BH-9786-20
(Ref JG227-30,
JG629-30)



BH-9762-81K
(Ref JG238KIT)



BH-1721
(Ref JG220)
BH-1799
(Ref JK227)



BH-1721/21B
(Ref J136)
BH-1799/99B
(Ref J134)

NOTE: Two Spring-Style 8-1/2" and 10-5/8" are available!

SVI also stocks older version in-ground seals. If you have an older lift and don't see what you need, just call!



BH-9762-01
(Ref JG629)



BH-1708
(Ref JL220)

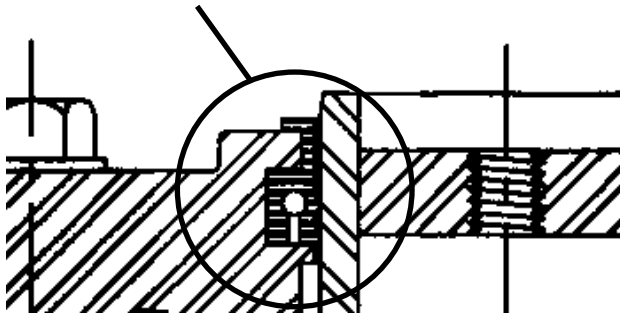


Seal Kits
MOD30

Seal Kits for 1- and 2-Post In-Ground Lifts (continued)

Precision seal for Newer-Style Rotary
8-1/2" low pressure cylinders.

BH-1706HU Ref # JG227



Design:

The "HU" is a custom profile loaded U cup utilizing a polyurethane shell energized by a high specification resilient O ring.

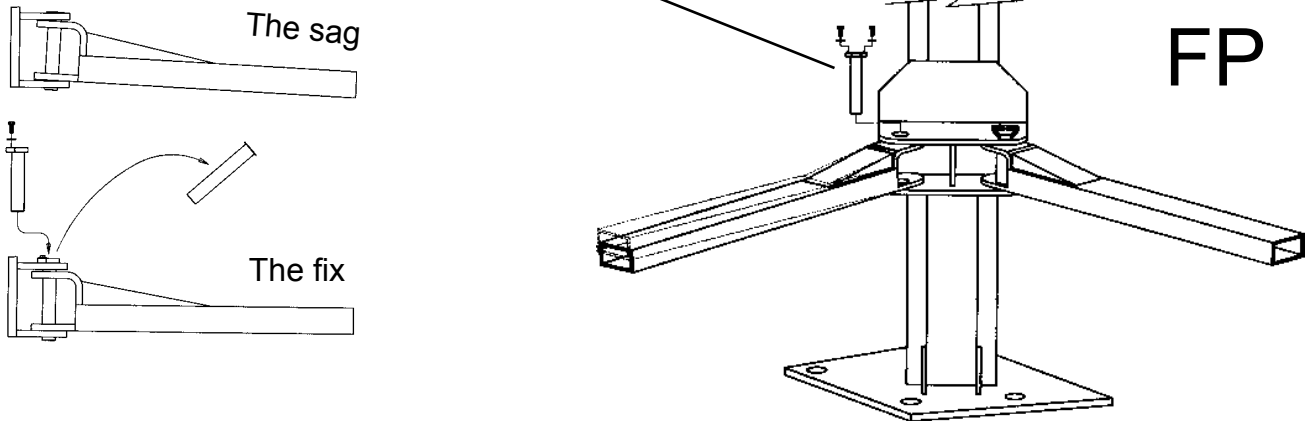
At zero or low pressure, the O-ring helps to increase the sealing force to prevent bypass. As the pressure rises the sealing force increases and the O-ring provides complete seal actuation. The precision trimmed sealing lips ensure optimum sealing action.

Features:

- Excellent resistance to abrasion
- Flexible for ease of installation
- Positive lip action
- Knife trimmed precision sealing lips
- Twin lip design providing lower friction and primary seal lip protection.

SVI Exclusive solution...

Sag-stopping arm pins for Rotary lifts.



SVI is constantly working to solve age and wear related issues on lift models.

One example we have encountered and successfully addressed is arm sag on many two post surface mount lifts. The arm sag problem is commonly found on lifts where the swing arm mounts inside the carriage arm support plates. In this style design, the bottom arm support plate on the carriage acts as a pivot point. Meaning, the top plate experiences inward load pressure resulting in the arm pin wearing and elongating the top hole. This results in unwanted arm sag and concerns most lift owners.

Thanks to SVI “FP” style arm pins with top positioning fixed plate for Rotary lifts, arm sag can be eliminated or reduced.

Installation only requires a level, a drill, drill bits, 3/8”-16 tap, two 3/8”-16 x 1” grade 8 capscrews and two 3/8” lockwashers per arm.

Fasteners included.

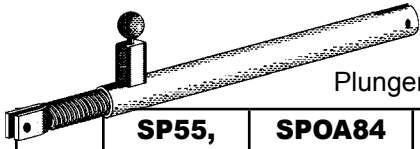
SVI Part #	Replace What	For Model	OAL Length
BH-7505-14FP	FJ7838	SP7	8.56”
BH-7505-14FP	FJ7838	SP9	8.56”
BH-7505-14FP	FJ7838	SPO7	8.56”
BH-7502-60FP	FJ7453-4	SPO7	6.00”
BH-7505-14FP	FJ7838	SPO9	8.56”
BH-7502-60FP	FJ7453-4	SPO9	6.00”
BH-7545-54FP	N2154	SPO10 / SPOA10	8.50”
BH-7505-15FP	FJ7834	SPOA7-100	7.50”
BH-7505-14FP	FJ7838	SPOA7-200, -300, 400	8.56”
BH-7505-15FP	FJ7834	SPOA9-100	7.50”
BH-7505-14FP	FJ7838	SPOA9-200, -300, 400	8.56”
BH-7502-12FP	FJ730-4	SP80 / SP84	7.00”
BH-7502-02FP	FJ7152	SPOA84	7.30”
BH-7502-02FP	FJ7152	SPOA88	7.30”
BH-7503-36FP	FJ7501	SPOA98	8.44”

Installation is simple:

- 1) Level all four arms so adapter pad contact is equal at all four lifting points and brace in place.
- 2) Insert new “FP” arm pin and push to back (toward carriage) of arm pin hole in the carriage top arm support plate.
- 3) With the pin in position drill and tap the holes right through the bolt holes, using them as your guide.
- 4) Screw in the bolts and tighten, you’re finished. Mission accomplished, arm sag neutralized and another happy lift owner thanks to SVI.



Arm Restraints for Rotary Lifts



	Plunger Style Arm Restraints				Gear Style Arm Restraints			
	SP55, SP84, SPO84, SP94, SPO94	SPOA84	SP88, SPO88, SP98, SPO98	SPOA88, SPOA98	SPO7	SPOA7, SPO9, SPOA9, SPO12	SPO7, SPO9, SPOA7 & SPOA9 Adjustable	SPOA10 -500
SETS	BH-7508-12 For 1 Lift (FJ7233)	BH-7508-13 For 1 Lift (FJ7259)	BH-7508-14 For 1 Lift (FJ7359)	BH-7508-15 For 1 Lift (FJ7366)	BH-7508-21 Order 4 per lift	BH-7508-22 Order 4 per lift	BH-7508-22A Order 4 per lift	BH-7508-42 Order 4 per lift (N2148)
LF	BH-7508-04 (FJ7516)	BH-7508-07 (FJ7519)	BH-7503-50 (FJ7522)	BH-7508-01F (FJ7524)	BH-7508-21	BH-7508-22	BH-7508-22A	
RF	BH-7508-05 (FJ7517)	BH-7508-06 (FJ7518)	BH-7503-50 (FJ7522)	BH-7508-01F (FJ7524)	BH-7508-21	BH-7508-22	BH-7508-22A	
RR	BH-7508-04 (FJ7516)	BH-7508-09 (FJ7521)	BH-7503-50 (FJ7522)	BH-7508-01R (FJ7523)	BH-7508-21	BH-7508-22	BH-7508-22A	
LR	BH-7508-05 (FJ7517)	BH-7508-08 (FJ7520)	BH-7503-50 (FJ7522)	BH-7508-01R (FJ7523)	BH-7508-21	BH-7508-22	BH-7508-22A	

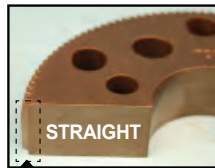
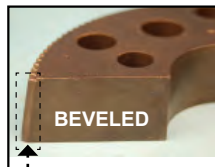
Retrofit Kits

for lifts that never had arm restraints

SP94 / SPO94:	BH-7507-73	(FJ7254)
SP84 / SPO84:	BH-7508-12A	(FJ7252)
SPOA84:	BH-7507-98	(FJ7276)

Common Arm Restraint Parts

BH-7503-45	FC134-91	Ball
BH-7503-46HD	FC134-89	Spring
BH-7503-47	FJ7233-25	Plunger
BH-7504-57	GP1019	Ball/Spring/Plunger Kit
BH-7503-48	FJ7233-22	Clevis Pin
F-CV-375-1250	FJ7359-2	Clevis Pin
BH-7536-60	FJ7831	Arm Restraint Gear (SPO15/18) Inner Diameter 1.8"
BH-7536-60A	FJ7831	Arm Restraint Gear - Adjustable (SPO15/18) Inner Diameter 1.8"
BH-7545-16	N2122	Arm Restraint Gear Inner Diameter 1.375"
BH-7545-17	N2121	Arm Restraint Engage Gear
BH-7508-16	FJ7750	Arm Restraint Gear
BH-7508-16A	FJ7750x	Arm Restraint Gear - Adjustable
BH-7508-16SA	FJ7750x	Arm Restraint Gear - Super Adjustable
BH-7508-17	FJ7749	Arm Restraint Engage Gear



BEVELED
EDGE

STRAIGHT
EDGE

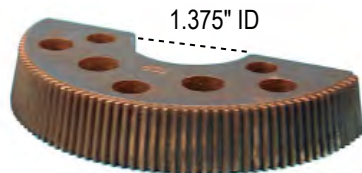


BH-7536-60

1.8" ID



ENGAGE GEAR
(shown: BH-7545-17)



1.375" ID

GEAR
(shown: BH-7545-16)

**To ensure the proper fit:
NEVER mix straight edge with a beveled edge.**

**For SPO15 / SPO18:
Confirm inner diameter / lift model when ordering.**

Sheaves / Pulleys

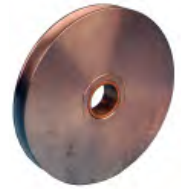
SVI Part #	OEM #	Description
BH-7501-40	FC522-5	4-Post Cable Sheave SM90 - 7"
BH-7501-45	FC548	4-Post Cable Sheave SM120, QL4P - 8"
BH-7501-50	FC5225-2	4-Post Cable Sheave SM250 - 11-3/4"
BH-7531-51	FC5804-2	Cable Sheave SMO/ARO Models 8-3/4" Dia.
BH-7531-51G		Greaseable Cable Sheave SM / AR123
BH-7500-50	FJ7116-1	2-Post Steel Sheave 3-5/8"OD x 3/4"ID
BH-7500-50N	FJ7116-1	2-Post Nylon Sheave 3-5/8"OD x 3/4"ID
BH-7530-01	N377	Steel Sheave for 5/16" Cable - 3-1/2"
BH-7530-01N	N377	Nylon Sheave for 5/16" Cable - 3-1/2"
BH-7500-49	FJ7116BL	Upper Sheave Assembly



BH-7501-45
8"



BH-7531-51
8-3/4"



BH-7501-40
7"



BH-7500-49
(Ref FJ7116BL)



BH-7500-50
3-5/8" (Steel)



BH-7500-50N
3-5/8" (Nylon)

Sheave and Pin Kits

For Models: **AR120, AR122, SM101, SM120, SM122 and QL4P**

Item	SVI Part #	OEM#	Description
1	BH-7501-57	FC5516	Sheave and Pin Replacement KIT
2	BH-7516-05	FC5522	Crossmember Sheave & Pin KIT
3	BH-7516-28	FC5519	Runway Sheave & Pin KIT



BH-7501-57

For Models: **SPO7, SPOA7, SPO9, SPOA9, others**

Item	SVI Part #	OEM#	Description
1	BH-7500-47	FJ5173	Sheave & Pin KIT



BH-7500-47

For Models: **AR90, SM90**

Item	SVI Part #	OEM#	Description
1	BH-7516-29	FC5518	Sheave & Pin KIT

Roller and Slider Kits

Item	SVI Part #	OEM#	Description
1	BH-7531-68K14	S100124	Roller and Slider KIT for 14K
2	BH-7531-68K12	S100097KIT	Roller and Slider KIT for 12K



BH-7500-68

Sheave Pins

SVI Part #	OEM #	Description
BH-7501-39	FC522-34	Sheave Pin 4-1/8"
BH-7501-41	FC521-11	Sheave Pin 4-3/4" SM90
BH-7501-47	FC555-1	Runway Sheave Pin 5-1/2" SM120
BH-7501-47G1	FC555-1x	Greaseable Sheave Pin (1 hole at 2-3/8")
BH-7501-47G1-C		Greaseable Sheave Pin (1 hole at 3-1/2")
BH-7501-47G2	FC555-1X	Greaseable Sheave Pin (2-Hole) - 5-1/2"
BH-7501-47G4	FC555-1X	Greaseable Sheave Pin (4-Hole) - 5-1/2"
BH-7501-44	FC5224-21	Sheave Pin 4-1/4" SM120
BH-7501-44G	FC5224-21X	Greaseable Sheave Pin - 4-1/2"
BH-7501-52	FC5225-3	Sheave Pin SM250 - HD 4-Post - 7-1/4"
BH-7500-68	FJ7444-8	Sheave Pin for Many Models 2-Post OH 6"



BH-7501-41
4-3/4"



BH-7501-44
4-1/4"



BH-7501-47
5-1/2"



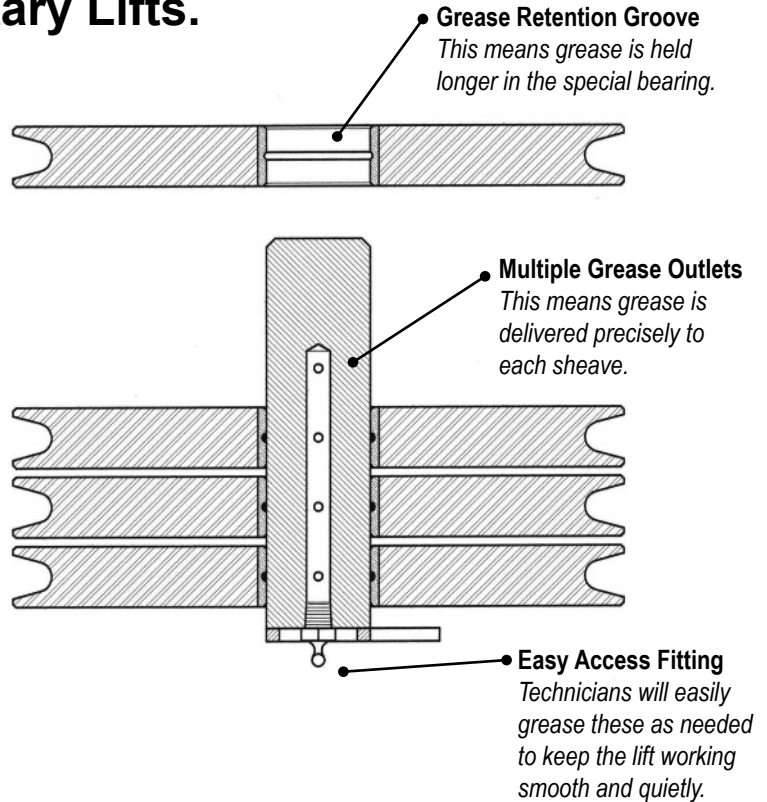
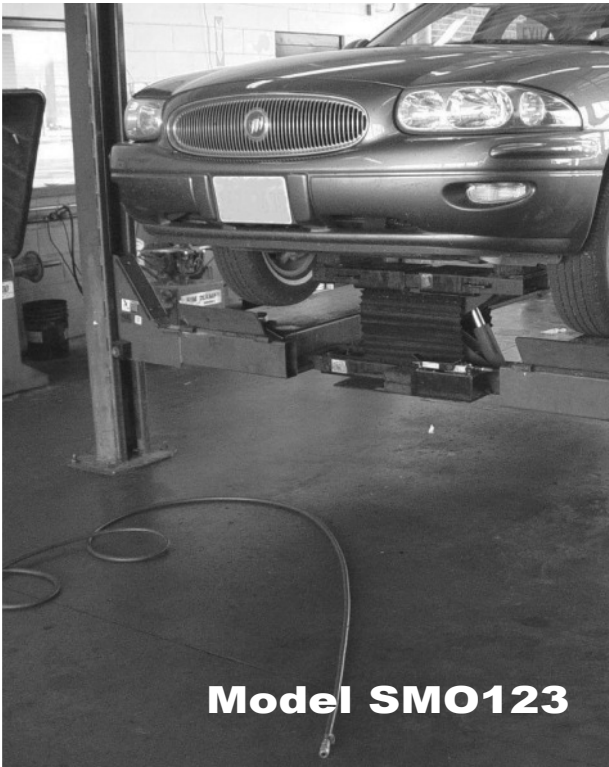
BH-7501-47G4
5-1/2"

Greaseable 4-Hole

Have you tried Greaseable Sheave Pins? See next page for more information.



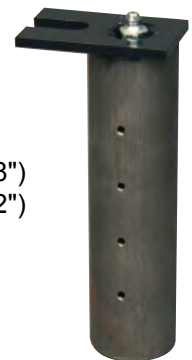
Greaseable Sheave Pins and Sheaves for use on select 4-Post Rotary Lifts.



Solving the needs of all lift industry distributors remains one of SVI's top specialties. In this case, several of the industry's most respected distributors asked us to develop greaseable sheaves and sheave pins for 4-post lifts to reduce the frequency with which standard sheaves and pins are replaced.

SVI exclusive greaseable sheaves and sheave pins are ideal for use on 4-Post lifts in high frequency shops where the lifts are constantly being cycled. These busy shops give standard sheaves and pins a real workout. Subsequently, distributors are called on to frequently replace the sheaves and pins on these lifts. The next time you are asked to work on the sheave and pins of a four post lift, consider a greaseable system. In this case adding some lubricity is a good thing. The bushings in the SVI design can properly function whether greased on a regular basis or forgotten to run dry. SVI distributors can now offer this SVI exclusive solution and increase the lift's use time and cycles between service intervals.

SVI Part #	For	From	Ref #	Description
BH-7501-44G	Rotary	SVI exclusive	FC5224-21	Greaseable Sheave Pin
BH-7501-47G1	Rotary	SVI exclusive	FC555-1x	Greaseable Sheave Pin (1 hole at 2-3/8")
BH-7501-47G1-C	Rotary	SVI exclusive		Greaseable Sheave Pin (1 hole at 3-1/2")
BH-7501-47G2	Rotary	SVI exclusive	FC555-1x	Greaseable Sheave Pin (2 Holes)
BH-7501-47G4	Rotary	SVI exclusive	FC555-1x	Greaseable Sheave Pin (4 hole)
BH-7531-51G	Rotary	SVI exclusive	FC5804-1 x	Greaseable Cable Sheave



Contact your favorite SVI representative with any questions. The parts listed above are intended for use on lift models SMO123 and ARO123. If you need greasable sheave pins and sheaves for other models, please let us now.

It's SVI when you need a solution!

Equalizer and Locking Cable and Sheave Revamp Kits for Rotary Lifts SPO / SPOA Series

One part number, one complete kit to make ordering a breeze. Freshen up the entire equalizer and lock release cable systems on these select Rotary lifts. Each kit comes complete with everything you need to do a quick and complete revamp. Enhance your service opportunities and increase customer confidence and satisfaction, today.

Let SVI know if you would like additional quick and convenient “easy-order kits” for any other service need or make and model of lift. Kit pricing is far more attractive than the time and costs associated with ordering all the items individually. Keep pushing SVI to work harder for you.

Service, Value and Innovation—SVI is your Answer!

For SPO7/8/9 and SPOA7/8/9 Series



YOUR CHOICE: NYLON OR STEEL SHEAVES

KIT CONTENTS:

SVI Part #	xRef #	Description	Quantity
Varies	FJ7116-1	Nylon OR Steel Sheave	6
Varies		Equalizer Cable	2
BH-7500-49B	41388	Spacer 1-1/2" x .045" Thick	4
BH-7500-62A	41411	Ext. Retaining Ring 5304-75	6
BH-7500-68	FJ7444-8	Sheave Shaft	2
BH-7510-16	41410	Ext. Retaining Ring 5304-37	2
BH-7501-26	FJ7322	Lock Cable Sheave	2
BH-7501-24	FJ7595-1	Locking Latch Release Cable	1
BH-7528-94	N69	Cable Guide	2
F-HC-0250-20-1000		1/4"-20 x 1" Hex Head Capscrew	4

There are great people behind every kit!

The SVI Kit Production Department is very pleased to be helping make these kits available. They take a great deal of pride in all they do for you and their accuracy rate is top notch.

For SPO10 AND SPOA10 Series



YOUR CHOICE: NYLON OR STEEL SHEAVES

KIT CONTENTS:

SVI Part #	xRef #	Description	Quantity
Varies	N377	Nylon OR Steel Sheave	6
Varies	N374	Equalizer Cable	2
BH-7500-49B	41388	Spacer 1-1/2" x .045" Thick	4
BH-7500-62A	41411	Ext. Retaining Ring 5304-75	6
BH-7500-68	FJ7444-8	Sheave Shaft	2
BH-7510-16		Ext. Retaining Ring 5304-37	4
BH-7501-26	FJ7322	Lock Cable Sheave	2
BH-7545-01	N619	Cable Bracket	2
BH-7545-01A	N618	Cable Guide	2
BH-7503-41	FJ7595	Locking Latch Cable Adjuster Kit	--
Contents listed below:			
BH-7504-53	N63-1	Latch Cable Clamp	1
BH-7501-24	FJ7595-1	29' Lock Latch Release	1
BH-7503-40	FJ7594-2	Latch Control Plate Assembly with Hardware	2

See next page for kits selection



Equalizer and Locking Cable and Sheave Revamp Kits for Rotary Lifts SPO / SPOA Series



YOUR CHOICE: NYLON OR STEEL SHEAVES



SVI Part #	For OEM	For Model	Description / Sheaves Included	
SPO7 Series				
BH-7500-950N	Rotary	SPO7	Revamp Kit	Nylon Sheaves
BH-7500-950S	Rotary	SPO7	Revamp Kit	Steel Sheaves
BH-7500-951N	Rotary	SPO7 EH1	Revamp Kit	Nylon Sheaves
BH-7500-951S	Rotary	SPO7 EH1	Revamp Kit	Steel Sheaves
BH-7500-952N	Rotary	SPO7 EH2	Revamp Kit	Nylon Sheaves
BH-7500-952S	Rotary	SPO7 EH2	Revamp Kit	Steel Sheaves
SPO9 Series				
BH-7500-953N	Rotary	SPO9	Revamp Kit	Nylon Sheaves
BH-7500-953S	Rotary	SPO9	Revamp Kit	Steel Sheaves
BH-7500-954N	Rotary	SPO9 EH1	Revamp Kit	Nylon Sheaves
BH-7500-954S	Rotary	SPO9 EH1	Revamp Kit	Steel Sheaves
BH-7500-955N	Rotary	SPO9 EH2	Revamp Kit	Nylon Sheaves
BH-7500-955S	Rotary	SPO9 EH2	Revamp Kit	Steel Sheaves
BH-7500-956N	Rotary	SPO9 EH4	Revamp Kit	Nylon Sheaves
BH-7500-956S	Rotary	SPO9 EH4	Revamp Kit	Steel Sheaves
SPOA7 Series				
BH-7500-957N	Rotary	SPOA7	Revamp Kit	Nylon Sheaves
BH-7500-957S	Rotary	SPOA7	Revamp Kit	Steel Sheaves
BH-7500-958N	Rotary	SPOA7 EH1	Revamp Kit	Nylon Sheaves
BH-7500-958S	Rotary	SPOA7 EH1	Revamp Kit	Steel Sheaves
BH-7500-959N	Rotary	SPOA7 EH2	Revamp Kit	Nylon Sheaves
BH-7500-959S	Rotary	SPOA7 EH2	Revamp Kit	Steel Sheaves
SPOA9 Series				
BH-7500-960N	Rotary	SPOA9	Revamp Kit	Nylon Sheaves
BH-7500-960S	Rotary	SPOA9	Revamp Kit	Steel Sheaves
BH-7500-961N	Rotary	SPOA9 EH1	Revamp Kit	Nylon Sheaves
BH-7500-961S	Rotary	SPOA9 EH1	Revamp Kit	Steel Sheaves
BH-7500-962N	Rotary	SPOA9 EH2	Revamp Kit	Nylon Sheaves
BH-7500-962S	Rotary	SPOA9 EH2	Revamp Kit	Steel Sheaves
SPO10 Series				
BH-7500-963N	Rotary	SPO10	Revamp Kit	Nylon Sheaves
BH-7500-963S	Rotary	SPO10	Revamp Kit	Steel Sheaves
BH-7500-964N	Rotary	SPO10 EH1	Revamp Kit	Nylon Sheaves
BH-7500-964S	Rotary	SPO10 EH1	Revamp Kit	Steel Sheaves
BH-7500-965N	Rotary	SPO10 EH2	Revamp Kit	Nylon Sheaves
BH-7500-965S	Rotary	SPO10 EH2	Revamp Kit	Steel Sheaves
BH-7500-966N	Rotary	SPO10 EH4	Revamp Kit	Nylon Sheaves
BH-7500-966S	Rotary	SPO10 EH4	Revamp Kit	Steel Sheaves
SPOA10 Series				
BH-7500-967N	Rotary	SPOA10	Revamp Kit	Nylon Sheaves
BH-7500-967S	Rotary	SPOA10	Revamp Kit	Steel Sheaves
BH-7500-968N	Rotary	SPOA10 EH1	Revamp Kit	Nylon Sheaves
BH-7500-968S	Rotary	SPOA10 EH1	Revamp Kit	Steel Sheaves
BH-7500-969N	Rotary	SPOA10 EH2	Revamp Kit	Nylon Sheaves
BH-7500-969S	Rotary	SPOA10 EH2	Revamp Kit	Steel Sheaves
BH-7500-970N	Rotary	SPOA10NB	Revamp Kit	Nylon Sheaves
BH-7500-970S	Rotary	SPOA10NB	Revamp Kit	Steel Sheaves
BH-7500-971N	Rotary	SPOA10NB EH1	Revamp Kit	Nylon Sheaves
BH-7500-971S	Rotary	SPOA10NB EH1	Revamp Kit	Steel Sheaves
BH-7500-972N	Rotary	SPOA10NB EH2	Revamp Kit	Nylon Sheaves
BH-7500-972S	Rotary	SPOA10NB EH2	Revamp Kit	Steel Sheaves

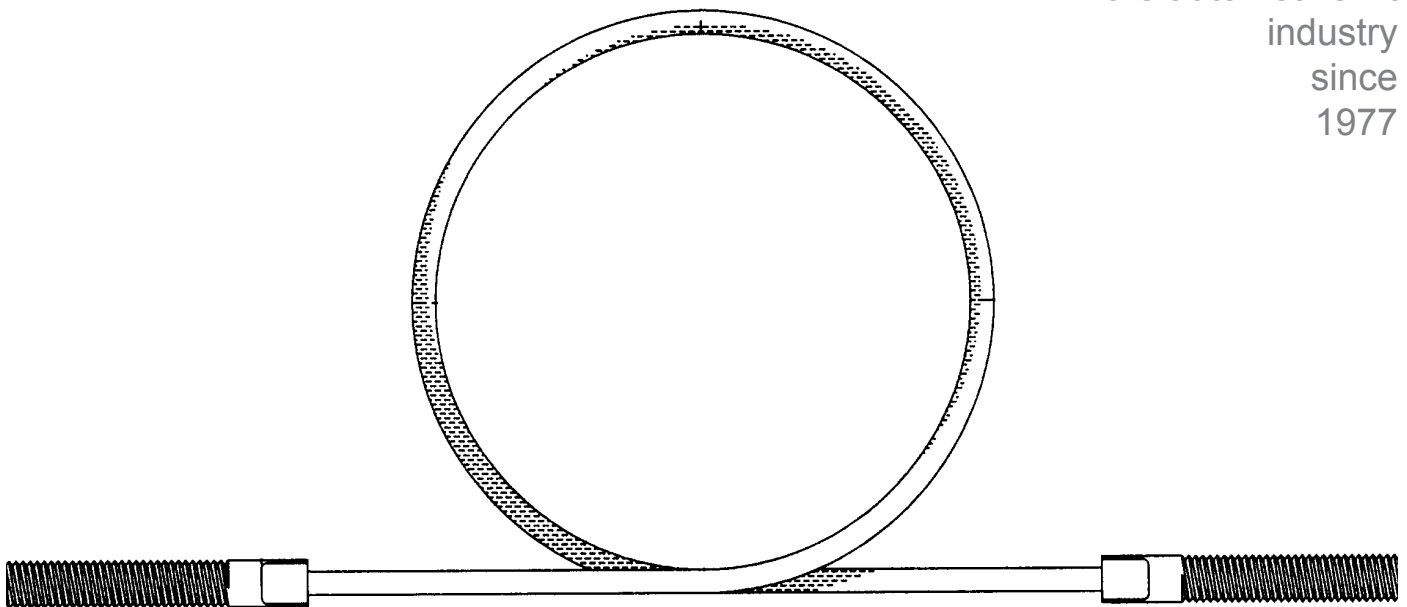
Serious Specifications

Wire rope / cable assemblies are one of the key ingredients to lift safety. That is why SVI requires only sound assembly methods be used. Our suppliers are the most professional and most trusted in the wire rope assembly industry.

With the weight of a vehicle over someone's head you cannot afford to use a cable that has an end on it that does not develop the proper pull-out value. SVI cables are made to the proper pull test values. Remember that even equalizer cables can become full load bearing cables in the event of a cylinder or hydraulic line failure.

Do not compromise safety. SVI is your answer.

SVI has been serving
the automotive lift
industry
since
1977



Wire Rope Assemblies

Most surface mount automotive lifts incorporate the use of wire rope assemblies for synchronization or load lifting purposes. It is very important that wire rope on a lift be inspected frequently for wear, damage or abuse.

It is not recommended that any wire rope assembly that has jumped a sheave remain in service. This is true even if it is used as a synchronization cable, which under certain circumstances can become full load bearing cables.

It is recommended that cables should be replaced automatically every three years or at the first sign of any wear. Always replace cables in pairs or sets.

	<p>⚠ WARNING</p> <p>Wire Rope WILL FAIL if worn-out, overloaded, misused, damaged, improperly maintained or abused. Wire Rope failure may cause serious injury or death! Protect yourself and others:</p> <ul style="list-style-type: none"> • ALWAYS INSPECT wire for WEAR, DAMAGE, or ABUSE BEFORE USE. • NEVER USE wire rope that is WORN-OUT, DAMAGED or ABUSED • NEVER OVERLOAD a wire rope. • INFORM YOURSELF: Read and understand manufacturer's literature or "Wire Rope and Wire Rope Sling Safety Bulletin."* • REFER TO APPLICABLE CODES, STANDARDS and REGULATIONS for INSPECTION REQUIREMENTS and REMOVAL CRITERIA.* <p>*For additional information or the BULLETIN, ask your employer or wire rope supplier.</p> <p><small>©1997, Wire Rope Technical Board Form No. 192</small></p>
--	--

Common Replacement Parts for Global Hydraulics Power Unit

Raise Switch with Green Button
BH-7503-65S
 (ref N-413)

Capacitor ---
BH-7512-70
 (ref FA7147-5)

Check Valve
BH-7520-01
 (ref P1104)

Lowering Valve
BH-7520-02
 (ref P1106)

Coupler (1)
BH-7529-10
 (ref FA7138-4)

3-Phase Drum Switch
BH-7527-01
 (Ref #s FA7367, FA7205, FA7204)

Reservoir / Tank
BH-7542-63 (Ref P1427KIT) **10-Liter Kit**
BH-7543-58 (Ref P1462) **14-Liter**
Note: Pickup Tube sold separately for 14-Liter Tank: BH-7545-66 (ref P3000-14 / P1462-5)
BH-7538-98 (Ref P10283KIT) **18.5 Liter Kit**

New Style Available
Dual Capacitor
BH-7515-71 (FA7350-5)
 Not Compatible Where Other Style Was Used

Lowering Valve for Global Hydraulics 3000 Series
BH-7538-95
 (Ref P3000-2)

Auto Lift Power Units and Parts

Call SVI today!

Common Lock Latching Kits and Parts

Latch Shaft/Spring Kit BH-7503-11 (FJ7382-3)

Item	SVI Part #	OEM #	Qty	Description
1	BH-7503-31	FJ7566-10	1	Spring
2	BH-7503-16	FJ7382-9	1	Spring
3	BH-7502-34	FJ7382-34	1	Latch Shaft
4	BH-7500-62A	41411	2	Klipring Truarc #5304-75
5	BH-7500-49B	41388	1	Bushing 1-1/2" x 3/4"



Latch Cable Adjuster Kit BH-7503-41 (FJ7595)

Item	SVI Part #	OEM #	Qty	Description
1	BH-7501-24	FJ7595-1	1	29' Lock Latch Release Cable
2	BH-7503-40	FJ7594-2	2	Latch Control Plate Assembly FJ7382-5 / FJ7594-3
3	BH-7504-53	N63-1	1	Latch Cable Clamp



(Red Ball and Handle sold separately)

Red Ball and Lock Release Handle

Item	SVI Part #	OEM #	Description
1	BH-7503-45	FC134-91	Red Ball
2	BH-7503-17	FJ7382-18 (FC5382-18)	Lock Release Handle

Lock Cable Sheave



Item	SVI Part #	OEM #	Description
1	BH-7501-26	FJ7322	Lock Cable Sheave

Air Cylinders, Air Release Valves and More

SVI Part #	OEM #	Description
BH-7501-53	FA2230-1	Air Cylinder
BH-7503-94	FC5708-2	Air Cylinder
BH-7515-01	FA2273-20	Air Cylinder
BH-7516-46	FC5224-33	Air Cylinder
BH-7517-29	FC5309-3	Air Cylinder
BH-7528-92	N61	Air Cylinder
BH-7530-90	FC5706-17	Air Cylinder (Order BH-7503-94)
BH-7542-61	S130017	Air Cylinder (2 Port)
BH-7544-11	T140116	Air Cylinder
BH-7544-77	S130061	Air Cylinder (1 Port)
BH-9786-15	T140073	Air Lock Valve - Universal CL-123A
BH-7515-02	FA2273-3	Toggle Air Release Valve
BH-7514-20	FA3203	Push Button Air Release Valve
BH-7504-19K	N623BK/N620/FA3216	Air Valve Release Kit
PLUG 1/8		Plug for Air Cylinder



BH-7501-53



BH-7516-46



BH-7503-94



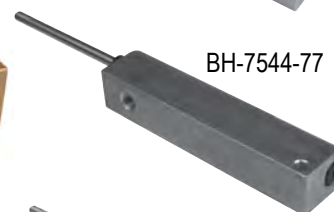
BH-7517-29



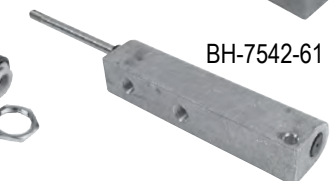
BH-7515-01



BH-7528-92



BH-7544-77



BH-7542-61



BH-7504-19K



BH-9786-15



BH-7544-11



BH-7515-02 (Toggle)



BH-7514-20 (Push Button)

For Many Rotary 4-Post Lift Models

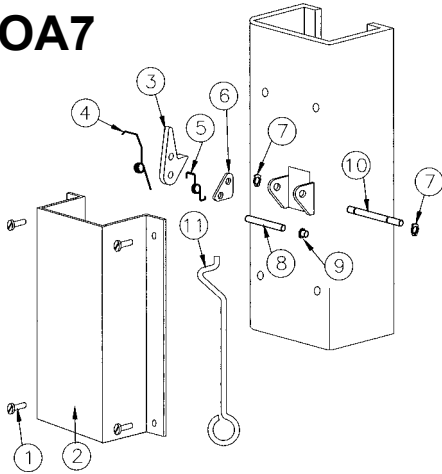


Internal Airline Kit

BH-7509-72 (OEM #FC5760)
Some Components Available Individually



Lock Parts for SPOA77 & DCOA7

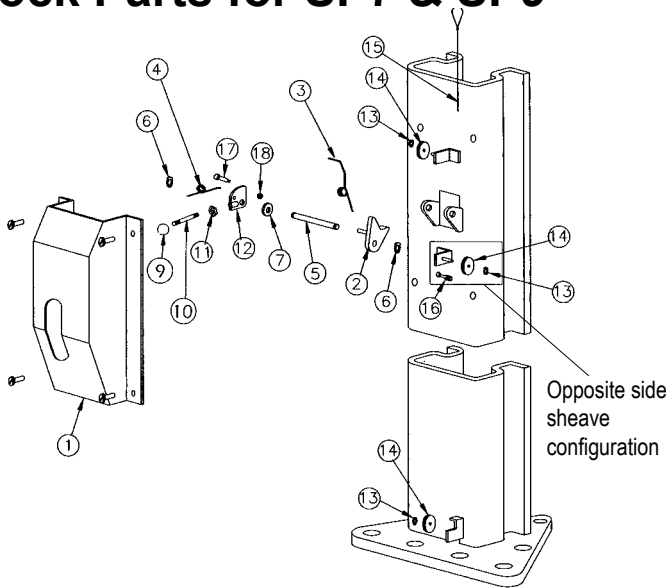


For more information on Lock Parts, please see the "Common Lock Latching Kits and Parts" section.

Item	SVI Part #	OEM #	Req	Description
1	F-PH-0312-18-0375		4	5/16-18 x 3/8 Pan Head Screw
2	BH-7502-50	FJ7451	1	Cover
3	BH-7503-15	FJ7382-8	1	Lock Latch Pawl
KIT	BH-7504-23	FJ5125	1	Lock Kit (Items 4-11, some parts NSS)
4	BH-7503-31	FJ7566-10	1	Lock Latch Spring
5	BH-7503-35	FJ7566-18	1	Spring
6	BH-7503-33	FJ7566-12	1	Plate
7	BH-7500-62A	41411	2	Ext. Retaining Ring 5304-75
8	BH-7503-32	FJ7566-11	1	Pivot Pin
9	BH-7503-34	FJ7566-16	2	Push Nut
10	BH-7503-30	FJ7566-9	1	Latch Shaft
11	BH-7535-07	FJ7566-15	1	Lock Release Handle

Rapid Fire Response

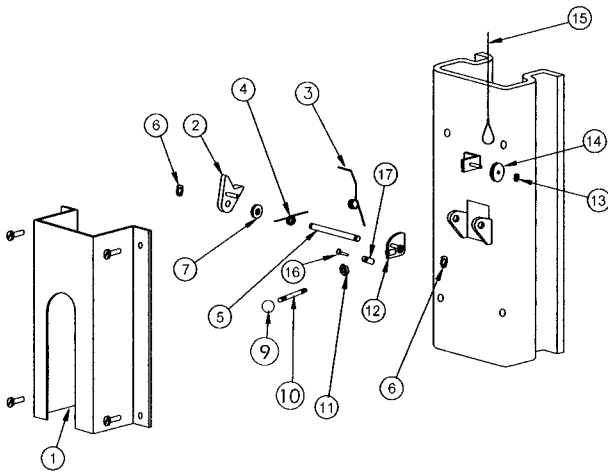
Lock Parts for SP7 & SP9



Item	SVI Part #	OEM #	Req	Description
1	BH-7504-51	GP1010	1	Latch Cover Kit w/ Screws
	F-PH-0312-18-0375			5/16-18 x 3/8 Pan Head Screw
2	BH-7503-14	FJ7382-7	1	Lock Latch Pawl
3-7	BH-7503-11	FJ7382-2	1	Lock Latch Shaft / Spring Kit
9	BH-7503-45	FC134-91	1	Red Ball
10	BH-7503-17	FJ7382-18	1	Lock Release Handle
11	F-JN-0375-16		1	3/8" Jam Nut
16	BH-7503-41	FJ7594-3	1	Latch Cable Adjuster Kit (Includes parts 12, 15-18)
13	BH-7510-16	41410	2	Ext. Retaining Ring 5304-37
14	BH-7501-26	FJ7322	2	Lock Cable Sheave
15	BH-7501-24	FJ7594-1	1	Locking Latch Release Cable



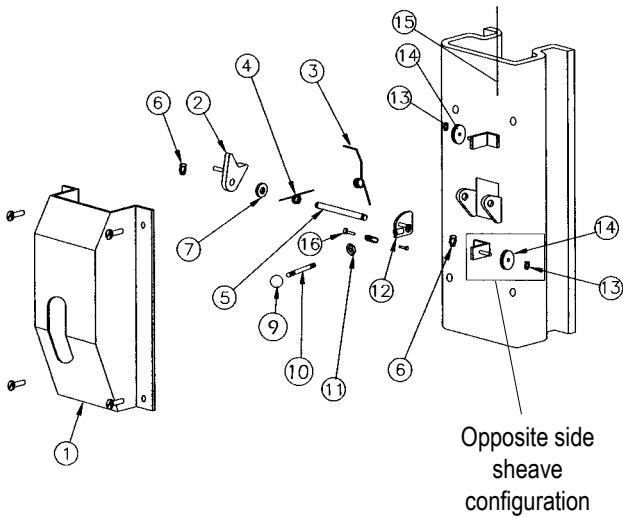
Lock Parts for SP88 & SPO88



Item	SVI Part #	OEM #	Req	Description
1	BH-7504-51	GP1010	1	Latch Cover Kit w/ Screws
--	BH-7502-51	FJ7452		Main Side Cover / Slotted
--	BH-7502-50	FJ7451		Opposite Side Cover / No Slot
--	F-PH-0312-18-0375			5/16-18 x 3/8 Pan Head Screw
--	BH-7519-61	N617		Cover
--	F-HN-0500-13			Hex Nut
2	BH-7503-14	FJ7382-7	1	Lock Latch Pawl
3-7	BH-7503-11	FJ7382-2	1	Lock Latch Shaft / Spring Kit
9	BH-7503-45	FC134-9-10	1	Red Ball
10	BH-7503-17	FJ7382-18	1	Lock Release Handle
11	F-JN-0375-16			3/8" Jam Nut
12	BH-7503-41	FJ7594-3	1	Latch Cable Adjuster Kit (Includes parts 12, 15 & 17)
13	BH-7510-16	41410		Ext. Retaining Ring 5304-37
14	BH-7501-26	FJ7322		Lock Cable Sheave
15	BH-7501-24	FJ7594-1	1	Locking Latch Release Cable
16	F-HC-0250-20-0500		2	1/4-20 X 1/2 Hex Capscrew

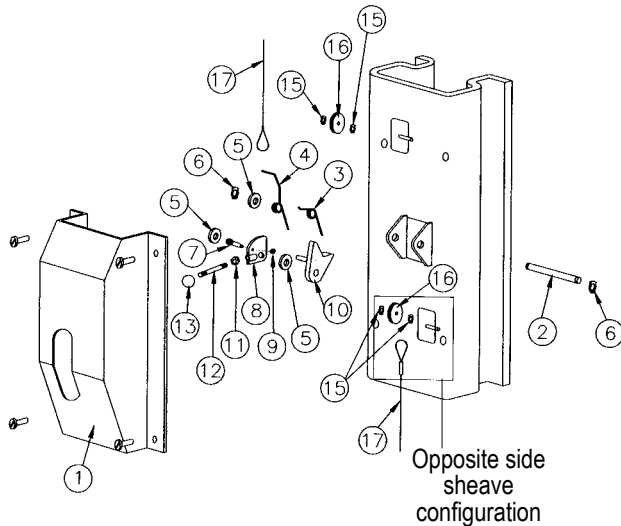
Lock Parts for SPO7 & SPO9

For more information on Lock Parts, please see the "Common Lock Latching Kits and Parts" section.



Item	SVI Part #	OEM #	Req	Description
1	BH-7504-51	GP1010	1	Latch Cover Kit w/ Screws
	F-PH-0312-18-0375			5/16-18 x 3/8 Pan Head Screw
2	BH-7503-14	FJ7382-7	1	Lock Latch Pawl
3-7	BH-7503-11	FJ7382-3	1	Lock Shaft / Spring Kit
9	BH-7503-45	FC134-91	1	Red Ball
10	BH-7503-17	FJ7382-18	1	Lock Release Handle
11	F-JN-0375-16		1	3/8" Jam Nut
12	BH-7503-41	FJ7594-3	1	Latch Cable Adjuster Kit (Includes parts 12, 15a & 16)
13	BH-7510-16	41410	2	Ext. Retaining Ring 5304-37
14	BH-7501-26	FJ7322	2	Lock Cable Sheave
15a	BH-7501-24	FJ7594-1	1	Lock Release Cable
15b	BH-7535-21	FJ7600	1	Lock Release Cable (SPO9 EH-4)

Lock Parts for SPOA7 & SPOA9



Item	SVI Part #	OEM #	Req	Description
1	BH-7504-51	GP1010	1	Latch Cover Kit w/ Screws
	F-PH-0312-18-0375			5/16-18 x 3/8 Pan Head Screw
2-6	BH-7503-11	FJ7382-2	1	Lock Latch Shaft / Spring Kit
7	BH-7503-41	FJ7595		Latch Cable Adjuster Kit (Includes parts 7, 8 & 17)
8	BH-7503-40	FJ7594-2	1	Latch Control Plate Assembly
9	F-LN-0250-20		1	1/4-20 Lock Nut
10	BH-7503-14	FJ7382-7	1	Lock Pawl
11	F-JN-0375-16			3/8-16 Jam Nut
12	BH-7503-17	FJ7382-18	1	Lock Release Handle
13	BH-7503-45	FC134-91	1	Red Ball
15	BH-7510-16		4	Ext. Retaining Ring 5304-37
16	BH-7501-26	FJ7322		Lock Cable Sheave
17	BH-7501-24	FJ7595-1	1	Locking Latch Release Cable

Safety Latch for SP70 / SP74



BH-7508-03 (OEM Ref FJ72-1-1-10)

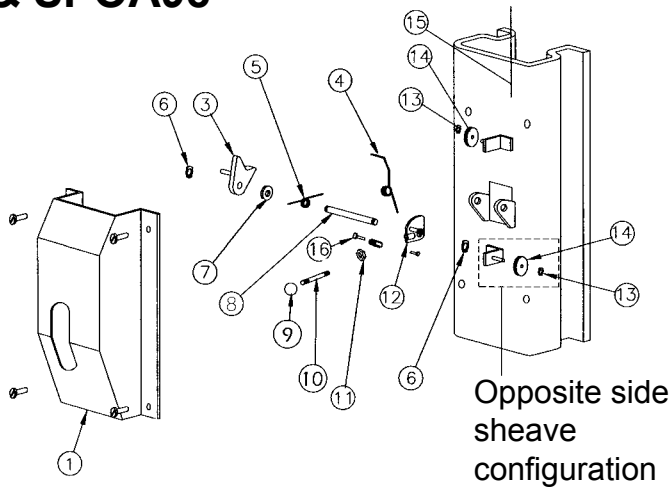
For more information on Lock Parts, please see the "Common Lock Latching Kits and Parts" section.





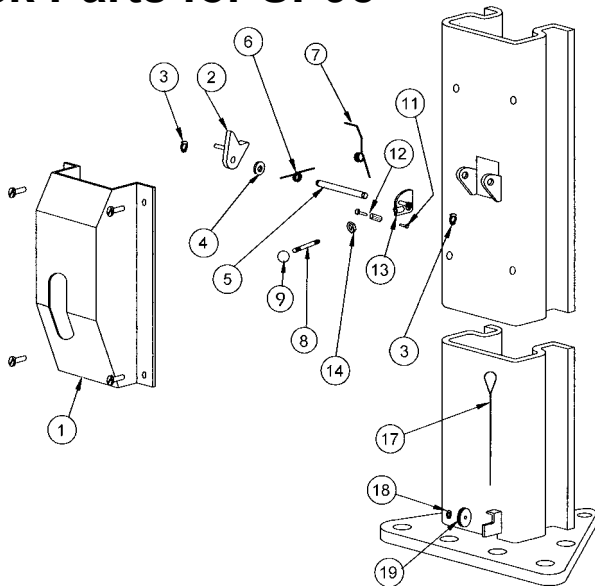
Lock Parts for SPOA88 & SPOA98

For more information on Lock Parts, please see the "Common Lock Latching Kits and Parts" section.



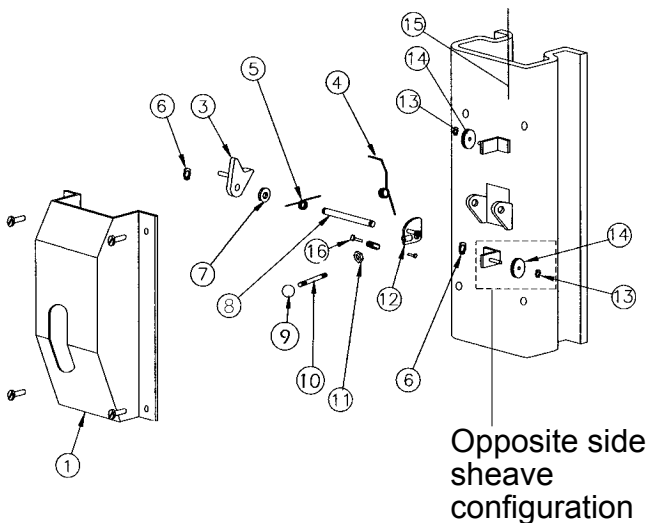
Item	SVI Part #	OEM #	Req	Description
1	BH-7504-51	GP1010	1	Latch Cover Kit w/ Screws
	F-PH-0312-18-0375			5/16-18 x 3/8 Pan Head Screw
3	BH-7503-14	FJ7382-7	2	Lock Latch Pawl
4-8	BH-7503-11	FJ7382-2	1	Lock Latch Shaft / Spring Kit
9	BH-7503-45	FC134-91	1	Red Ball
10	BH-7503-17	FJ7382-18	1	Lock Release Handle
11	F-JN-0375-16		1	3/8" Jam Nut
12	BH-7503-41	FJ7594-3	1	Latch Cable Adjuster Kit (Includes parts 12, 15 & 16)
13	BH-7510-16	41410	2	Ext. Retaining Ring 5304-37
14	BH-7501-26	FJ7322	2	Lock Cable Sheave
15	BH-7501-24	FJ7594-1	1	Locking Latch Release Cable

Lock Parts for SP98



Item	SVI Part #	OEM #	Req	Description
1	BH-7504-51	GP1010	1	Latch Cover Kit w/ Screws
--	BH-7502-51	FJ7452		Main Side Cover / Slotted
--	BH-7502-50	FJ7451		Opposite Side Cover / No Slot
--	F-PH-0312-18-0375			5/16-18 x 3/8 Pan Head Screw
--	BH-7519-61	N617		Cover
--	F-HN-0500-13			Hex Nut
2	BH-7503-14	FJ7382-7	2	Lock Latch Pawl
3-7	BH-7503-11	FJ7382-2	1	Lock Latch Shaft / Spring Kit
8	BH-7503-17	FJ7382-18	1	Lock Release Handle
9	BH-7503-45	FC134-91	1	Round Ball
11	F-HC-0250-20-0500			1/4-20 x 1/2 Hex Capscrew
12	BH-7503-41	FJ7594-3	1	Latch Cable Adjuster Kit (Includes parts 12, 13 & 17)
14	F-JN-0375-16			3/8-16 Jam Nut
17	BH-7501-24	FJ7594-1	1	Locking Latch Release Cable
18	BH-7510-16	41410		Ext. Retaining Ring 5304-37
19	BH-7501-26	FJ7322		Lock Latch Sheave/Pulley

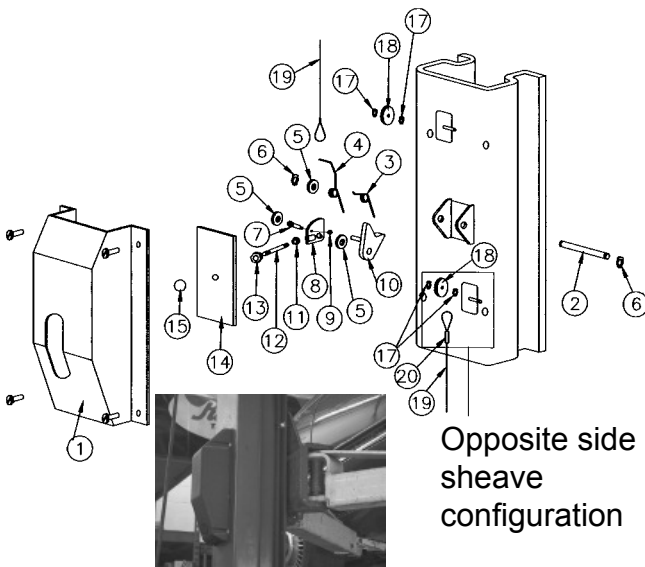
Lock Parts for SPO98



Item	SVI Part #	OEM #	Req	Description
1	BH-7504-51	GP1010	1	Latch Cover Kit w/ Screws
--	BH-7502-51	FJ7452		Main Side Cover / Slotted
--	BH-7502-50	FJ7451		Opposite Side Cover / No Slot
--	F-PH-0312-18-0375			5/16-18 x 3/8 Pan Head Screw
--	BH-7519-61	N617		Cover
--	F-HN-0500-13			Hex Nut
3	BH-7503-14	FJ7382-7	2	Lock Latch Pawl
4-8	BH-7503-11	FJ7382-2	1	Lock Latch Shaft / Spring Kit
9	BH-7503-17	FJ7382-18	1	Lock Release Handle
10	BH-7503-45	FC134-91	1	Red Ball
11	F-JN-0375-16		1	3/8" Jam Nut
12	BH-7503-41	FJ7594-3	1	Latch Cable Adjuster Kit (Includes parts 12, 15 & 16)
13	BH-7510-16	41410	2	Ext. Retaining Ring 5304-37
14	BH-7501-26	FJ7322	2	Lock Cable Sheave
15	BH-7501-25	FJ7594-1	1	Locking Latch Release Cable

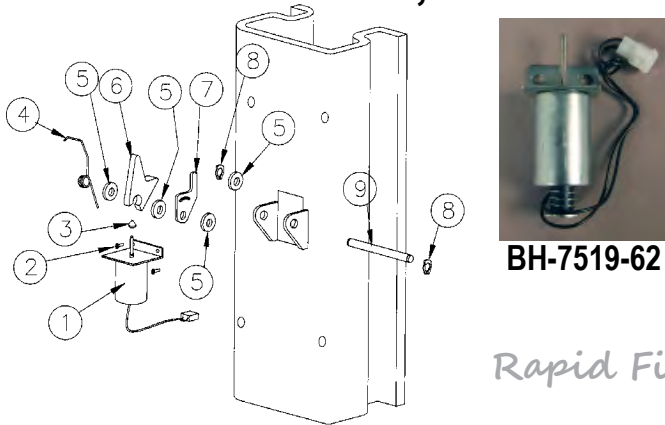
Lock Parts for SPO10, SPOA10 & SPOA10NB

For more information on Lock Parts, please see the "Common Lock Latching Kits and Parts" section.



Item	SVI Part #	OEM #	Req	Description
1	BH-7504-51	GP1010	1	Latch Cover Kit w/ Screws
	F-PH-0312-18-0375			5/16-18 x 3/8 Pan Head Screw
2-6	BH-7503-11	FJ7382-2	1	Lock Latch Shaft / Spring Kit
5	BH-7500-49B	41388	8	3/4" x 1-1/2" Bushing (1 incl. in kit)
7	F-SB-0312-1000-0250-20	40220		5/16" X 1" Shoulder Bolt (1/4-20)
8	BH-7503-40	FJ7594-2	1	Control Plate
9	F-LN-0250-20			1/4-20 Lock Nut
10	BH-7519-66	N616	1	Lock Pawl
11	F-JN-0375-16			3/8-16 Jam Nut
12	BH-7503-17	FJ7382-18	1	Lock Release Handle
13	F-JN-0500-13			1/2-13 Jam Nut
14	BH-7519-61	N617	1	Cover (included with item 1)
15	BH-7503-45	FC134-91	1	Red Ball
17	BH-7510-16	41410		Ext. Retaining Ring 5304-37
18	BH-7501-26	FJ7322		Lock Cable Sheave
19	BH-7501-24	FJ7595-1	1	Locking Latch Release Cable
20	BH-7504-53	N63-1		Cable Clamp
KIT	BH-7503-41	FJ7595		Latch Cable Adjuster Kit (Includes parts 7, 8, 19 & 20)

Lock Parts for A8i, A10i & S10i

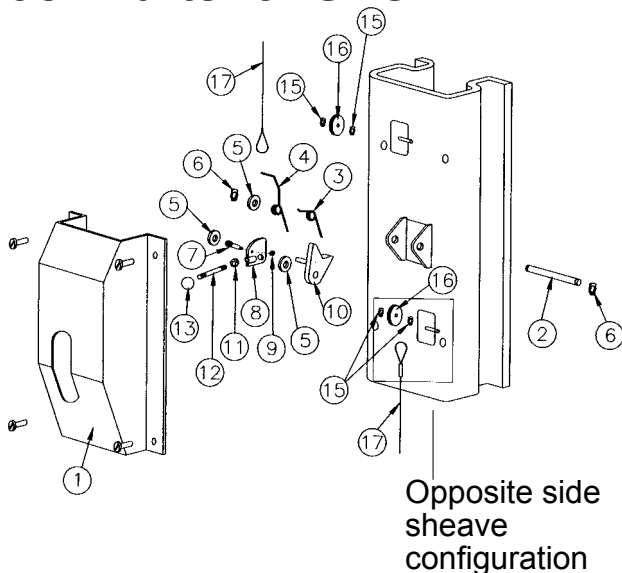


Item	SVI Part #	OEM #	Req	Description
1	BH-7519-62	N613	1	Lock Solenoid 24 volt
	BH-7527-91	FA7484-6	1	Lock Solenoid 220 volt
2	F-PH-0312-18-0375		2	5/16-18 x 3/8 Pan Head Screw
3	BH-7519-69	N613-8 / N613-1	1	Slide / Wear Indicator
4	BH-7519-65	N613-2	1	Lock Spring
5	BH-7500-49B	41388	4	Spacer 1-1/2" x .045 thick
6	BH-7519-66	N616	1	Lock Pawl
7	BH-7519-64	N613-3	1	Control Plate
8	BH-7500-62A	41411	2	Ext. Retaining Ring 5304-75
9	BH-7502-34	FJ7382-34	1	Lock Pawl Shaft

Rapid Fire Response...

SVI is your answer!

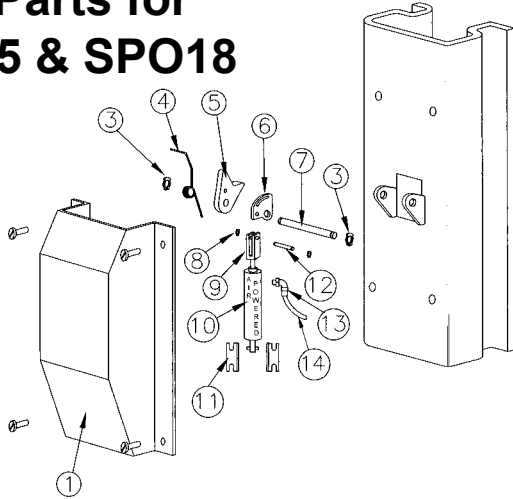
Lock Parts for SPO12



Item	SVI Part #	OEM #	Req	Description
1	BH-7504-51	GP1010	1	Latch Cover Kit w/ Screws
	F-PH-0312-18-0375			5/16-18 x 3/8 Pan Head Screw
2-6	BH-7503-11	FJ7382-2	1	Lock Latch Shaft / Spring Kit
7	BH-7503-41	FJ7595		Latch Cable Adjuster Kit (Includes parts 7, 8 & 17)
8	BH-7503-40	FJ7594-2	1	Latch Control Plate Assembly
9	F-LN-0250-20		1	1/4-20 Lock Nut
10	BH-7528-01	N165-1	1	Lock Pawl
11	F-JN-0375-16			3/8-16 Jam Nut
12	BH-7503-17	FJ7382-18	1	Lock Release Handle
13	BH-7503-45	FC134-91	1	Red Ball
15	BH-7510-16	41410	4	Ext. Retaining Ring 5304-37
16	BH-7501-26	FJ7322		Lock Cable Sheave
17	BH-7501-24	FJ7595-1	1	Locking Latch Release Cable

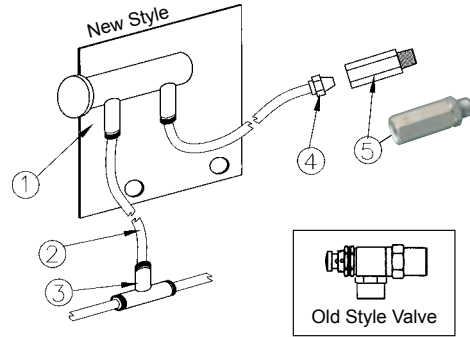


Lock Parts for SPO15 & SPO18



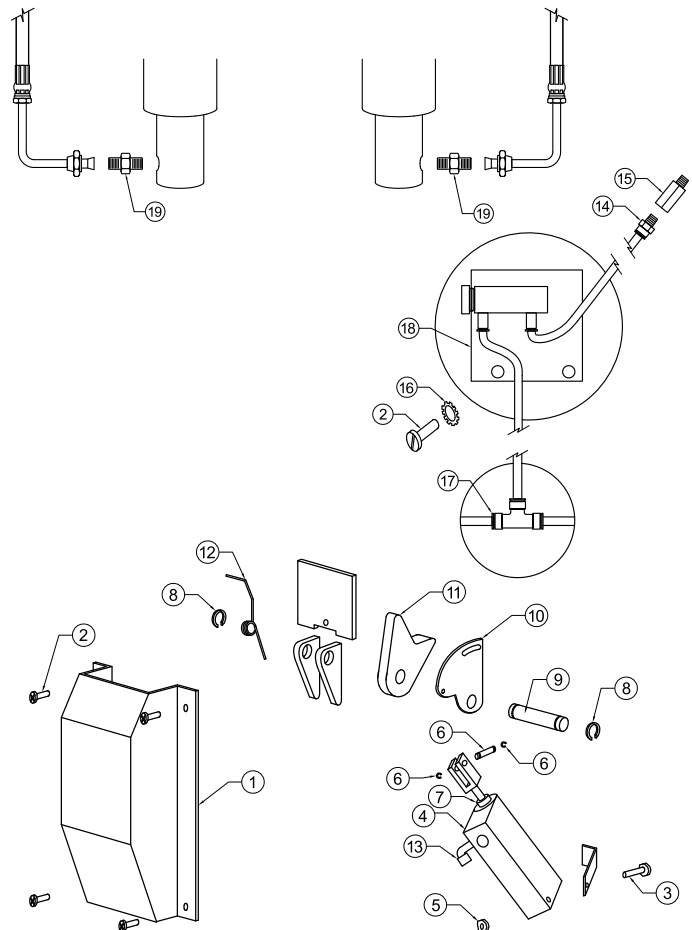
Item	SVI Part #	OEM #	Req	Description
1	BH-7502-50	FJ7451	1	Cover (no slot)
	F-PH-0312-18-0375			5/16-18 x 3/8 Pan Head Screw
3	BH-7537-59A	41417	2	Ext. Retaining Ring 5304-125
4	BH-7512-54	FJ7813-5	1	Spring
5	BH-7536-24	FJ7813-14	1	Lock Pawl
6	BH-7536-40	FJ7813-6	1	Control Plate
7	BH-7536-41	FJ7813-7	1	Lock Pawl Shaft
8/9	BH-7519-06	11263	1	Air Cylinder Rod Clevis Set
10	BH-7528-92	N61	1	Air Cylinder
11	BH-7519-09	11265	1	Pivot Bracket Set
12	BH-7519-06	11263	1	Air Cylinder Rod Clevis Set
13	BH-7514-13	FA3134-6	1	Elbow 1/4" Air Line to 1/8" NPT
14	BH-7507-01	FA2230-2	1	1/4" x 50' Air Line

Item	SVI Part #	OEM #	Req	Description
1	BH-7504-19K	N623BK	1	Air Valve Release Kit (N612 NLA)
	BH-7503-60	FA3134	1	Air Valve and Bracket (old style)
	BH-7514-20	FA3203	1	Air Valve only (old style)
	BH-7515-07	FA2273-7	1	Air Valve Bracket only (old style)
2	BH-7507-01	FA2230-2	1	1/4" x 50' Air Line
3	BH-7526-88	FC5225-46	2	Tee 1/4" Air Line
4	BH-7526-18	FC5191-6	2	Connector 1/4" Air Line
5	BH-7514-09	FA3134-12	1	Air Line Filter



Lock Parts for SPO15 & SPO18 300 Series

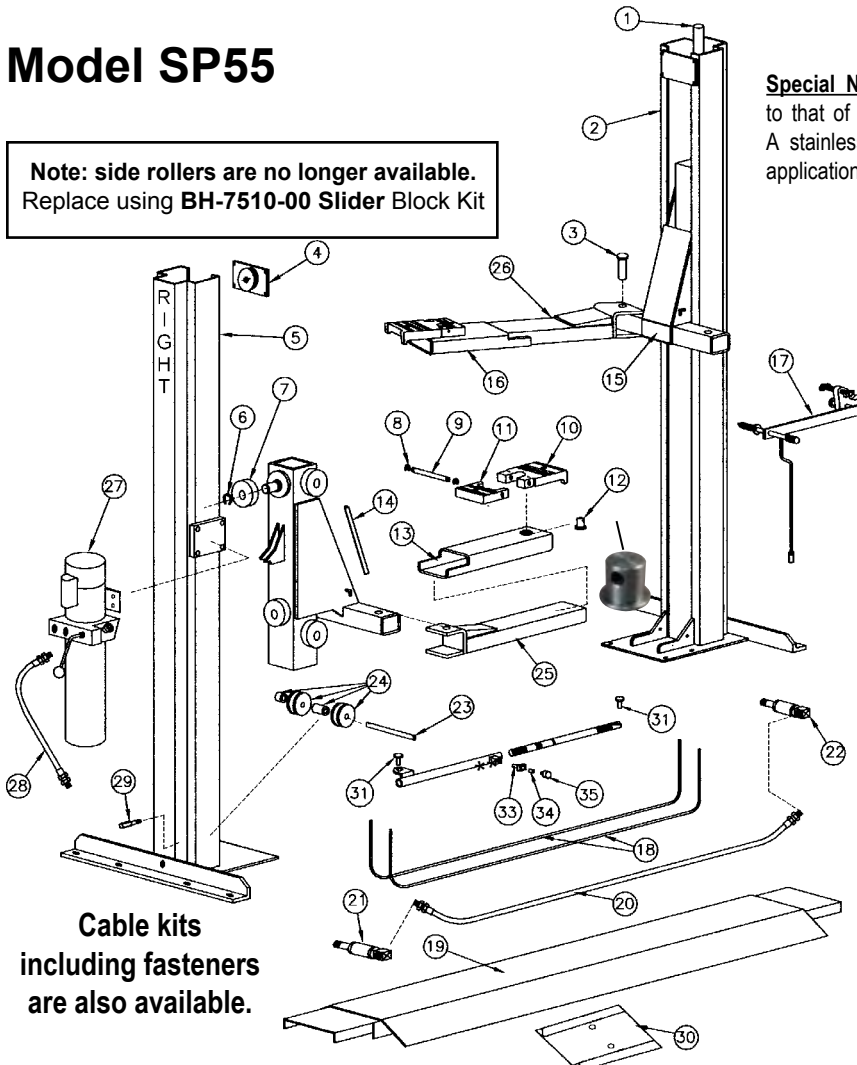
Item	SVI Part #	OEM #	Description
1	BH-7502-50	FJ7451	Latch Cover
2	F-PH-0312-18-0375	40227	Pan Head Self Tapping Screw
3	F-HC-0250-20-1250	40101	Hex Head Cap Screw
4	BH-7519-60	N614	Air Cylinder
5	F-NL-0250-20	40642	Nylon Insert Nut
6	BH-7519-06	11263	Clevis Set
7	BH-7536-38	FJ7813-13	Dampening Spacer
8	BH-7537-59A	41417	Retaining Ring
9	BH-7536-41	FJ7813-7	Latch Shaft
10	BH-7536-40	FJ7813-6	Latch Control Plate
11	BH-7536-24	FJ7813-14	Lock Pawl
12	BH-7512-54	FJ7813-5	Latch Spring
13	BH-7514-13	FA3134-6	Swivel Elbow 1/4" Air Line to 1/8" NPT
14	BH-7526-18	FC5191-6	1/4" Male Connector
15	BH-7514-09	FA3134-12	Filter Air Line
16	F-ETLW-0312	40854	5/16" External Lockwasher
17	BH-7526-88	FC5225-46	Union Tee
18	BH-7504-19B	N620	Switch Bracket & Switch
19	BH-7511-05	FJ7352-3	Straight Adapter





Model SP55

Note: side rollers are no longer available.
Replace using **BH-7510-00 Slider Block Kit**



Cable kits including fasteners are also available.

Special Note of Interest: Always upgrade the equalizer cables to that of stainless steel construction on any floor plate lift model. A stainless steel equalizer cable will withstand the rigors of the application much better and provide longer intervals between service.

Height Extensions for use on most Rotary lifts

Type SPR

Type SOR

Type ASPR

Type SPR1

For a complete listing of Height Extensions see SVI catalog # LRC7090

Item	SVI Part #	OEM #	Req	Description
1	BH-7511-06	FJ7375/FJ7211	2	Hydraulic Cylinder & Adapter Kit
1A	BH-7511-10	FJ783-12MF	2	Cyl Seal Kit Mass Ferguson
1B	BH-7511-11	FJ783-12TH	2	Cyl Seal Kit Texas Hydraulic
2*	n/a	FJ759	1	Left Hand Column
3	BH-7502-12	FJ730-4	4	Arm Pin
4	BH-7502-11	FJ719-6	2	Upper Sheave Assy
	BH-7500-50	FJ7116-1	6	Sheave, Steel
5*	n/a	FJ760	1	Right Hand Column
6	call for details		12	Retaining Ring
7	see note above	FJ721-5	12	Order BH-7510-01 & 02
8	BH-9755-26	FJ671-6	8	Hog Ring Clip
9	BH-9755-22	FJ671-3	4	Adapter Pivot Pin
10	BH-9755-20	FJ671-1	4	High Step Ductile Iron Adapter
KIT	BH-9755-36	FJ671-7	1	Adapter Repair Kit (4 arms)
KIT	BH-9755-36-1	FJ671-8	4	Adapter Repair Kit (1 arm)
--	BH-9789-98	FJ697	4	Rubber Pad Adapter for Flip-Up
11	BH-9755-21	FJ671-2	4	Low Step Ductile Iron Adapter
12	BH-9755-25L	FJ671-5	4	Adapter Swivel Pin
13*	n/a	FJ7112-1	4	Sleeve Only
14	BH-7510-04	FJ761-4	2	Foam Tape
15*	n/a	FJ761	2	Carriage
16	call for details	FJ7112	4	Sleeve & Adapter Assy
17	BH-7503-02	FJ748	2	Lock Latch Assy
18	BH-7500-10	FJ7114	2	Equalizer Cable Assy
	BH-7500-10SS		2	Equalizer Cable (stainless steel)

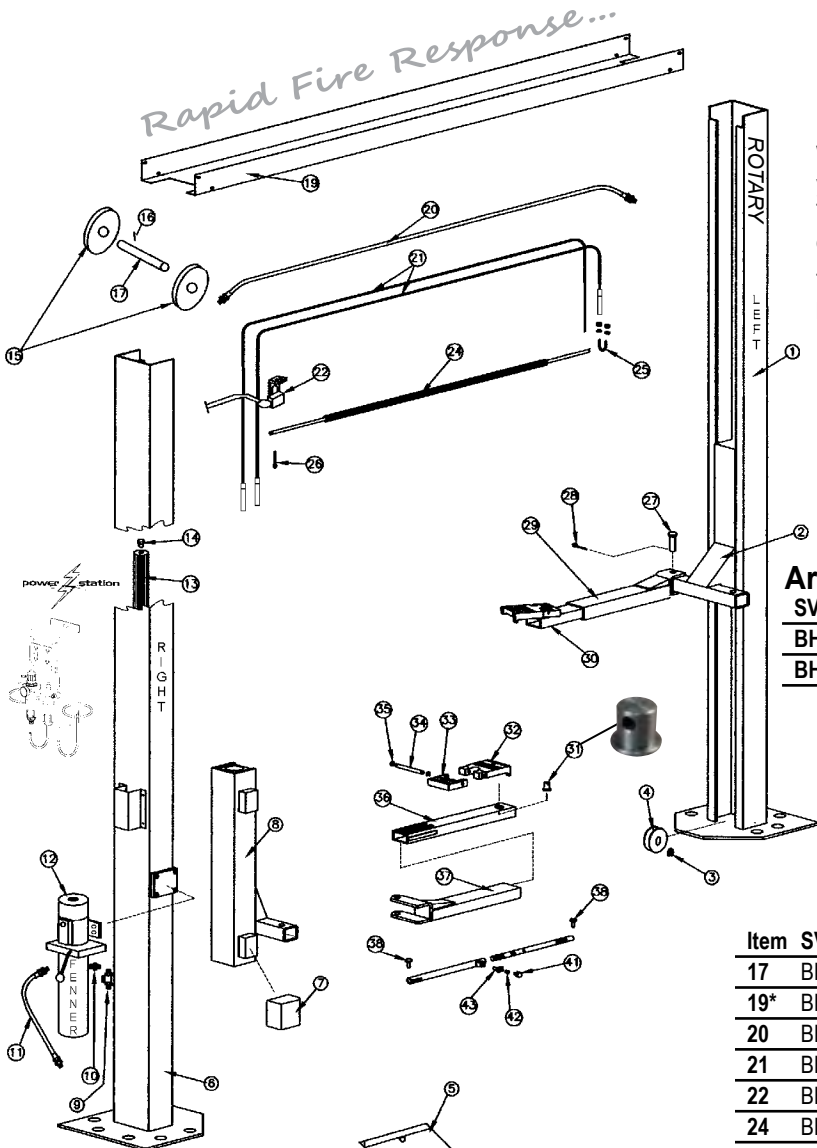
Item	SVI Part #	OEM #	Req	Description
19	BH-7509-84	FJ7113	1	Center Cover Plate Kit (FJ577)
20	BH-7512-06	FJ87	1	Hydraulic Hose
21	BH-7510-05	FJ7214	1	RH Piping Assy
22	BH-7510-06	FJ7215	1	LH Piping Assy
23	BH-7500-65A	FJ719-12	2	Sheave Pin
24	BH-7500-65	FJ797	2	Lower Sheave Kit
	BH-7500-50	FJ7116-1	6	Sheave, Steel
	BH-7500-50N	FJ7116-1	6	Sheave, Nylon
25*	call for details	FJ7111	2	Front Swing Arm
26*	call for details	FJ7110	2	Rear Swing Arm
27	BH-7006A-16	P602	1	Power Unit 2HP, 1ph, 3450 RPM
28	BH-7512-52	FJ7191	1	Hydraulic Hose
29A	BH-7512-60	FJ741-1-1	2	Cylinder Adapter Fitting
29B	BH-7512-61	FJ741-1-2	2	Hex Adapter
30	BH-9701	FF729	1	15" Wide Reach Wheel Spotter
	BH-9702		1	15" Wide Reach Dual Spotter
31	BH-7503-48	FJ7233-22	4	Clevis Pin
33	BH-7503-47	FJ7233-25	4	Arm Restraint Plunger
34	BH-7503-46HD	FC134-9-7	4	Arm Restraint Spring
35	BH-7503-45	FC134-9-10	4	Red Ball
KIT	BH-7504-57	GP1019	4	Plunger/Spring/Ball KIT
**	BH-7508-04	FJ7516	2	LF / LR Arm Restraint Assembly
**	BH-7508-05	FJ7517	2	RF / RR Arm Restraint Assembly

* Custom order by request. Sample may be needed.

Absolutely, SVI is your answer!



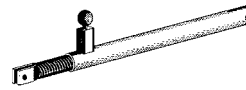
Model SPOA77



When relocating lifts, SVI has everything to meet your anchoring needs including the Titen HD. This anchor provides more pull out strength than conventional wedge style anchors.

Titen HD's are removable, which means you don't have to drill through the concrete or as deep.

*For all your anchoring needs...
SVI is certainly your answer!*



Arm Restraint Individual Complete Assembly

SVI Part #	OEM#	Description
BH-7503-42	FJ7590	Front Arm Restraint Assy
BH-7508-01R	FJ7523	Rear Arm Restraint Assy



For all the carriage lock parts see index for "Two Post Carriage Locks"

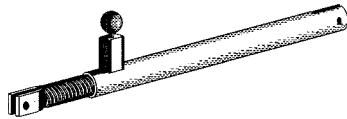
Cable kits including fasteners are also available.

Item	SVI Part #	OEM #	Req	Description
1*	call for details	FJ7583	1	Left Column
2*	BH-7535-10	FJ7581	1	Left Carriage
3	BH-7500-62A	41411		Ext. Retaining Ring 5304-75
4	BH-7500-50	SVI Exclusive	6	Sheave, Steel
	BH-7500-50N	FJ7116-1	6	Sheave, Nylon
5	BH-9701	FF729	1	15" Wide Reach Wheel Spotter
	BH-9702		1	15" Wide Reach Dual Spotter
6*	call for details	FJ7584	1	Right Column
7	BH-7510-03	FJ7360	8	Slider Block (cup style)
	BH-7515-65	FJ5106	2	Shim and Slider Kit (1 carriage)
8*	call for details	FJ7580	1	Right Carriage
9	BH-7535-73	FJ7671	1	Tee
10	BH-7535-72	FJ7670	1	Adapter
11	BH-7512-32	FJ818	1	Power Unit Hose
12	BH-7006A-16	P602	1	Power Unit
13	BH-7511-03	FJ7311	1	Hydraulic Cylinder
	BH-7511-11	FJ7311-12T		Cylinder Seal Kit (Texas Hyd)
14	call for details			Bleeder Screw
15	BH-7500-50	SVI Exclusive	6	Sheave, Steel
	BH-7500-50N	FJ7116-1	6	Sheave, Nylon
16	F-CP-125-1500			1/8" x 1-1/2" Cotter Pin

Item	SVI Part #	OEM #	Req	Description
17	BH-7500-69	FJ7582-6	2	Sheave Shaft
19*	BH-7535-11	FJ7582-1	1	Overhead Form
20	BH-7512-09	FJ819	1	Hydraulic Hose
21	BH-7500-26	FJ7591	2	Equalizer Cable
22	BH-7503-65	FJ7613-1/FJ7613	1	Overhead Limit Switch In Housing
24	BH-7508-34	FJ7613-2	1	Overhead Limit Bar
25	BH-7506-43	FJ7448-1	1	U-Bolt
26	F-CP-125-1000			1/8" x 1" Cotter Pin
27	BH-7535-17	FJ7593	4	Arm Swivel Pin
28	F-CP-187-2000		4	3/16" x 2" Cotter Pin
29*	call for details	FJ7587-1	1	Rear Left Outer Swing Arm
	call for details	FJ7588-1	1	Rear Right Outer Swing Arm
30*	call for details	FJ7587-7	2	Rear Inner Swing Arm Kit
31	BH-9755-25L	FJ79-6	4	Adapter Swivel Pin
32	BH-9755-20	FJ671-1	4	High Step Ductile Iron Adapter
	BH-9789-98	FJ697	4	Rubber Pad Adapter for Flip-Up
33	BH-9755-21	FJ671-2	4	Low Step Ductile Iron Adapter
34	BH-9755-22	FJ671-3	4	Adapter Pivot Pin
35	BH-9755-26	FJ671-6	8	Hog Ring Clip
36*	call for details	FJ7585-9	2	Front Inner Swing Arm Kit
37*	call for details	FJ7586-1	1	Front Right Outer Swing Arm
	call for details	FJ7585-1	1	Front Left Outer Swing Arm
38	F-CV-375-1250	FJ7359-5	4	Clevis Pin
41	BH-7503-45	FC134-9-10	4	Red Ball
42	BH-7503-46HD	FC134-9-7	4	Arm Restraint Spring
43	BH-7503-47	FJ7233-25	4	Arm Restraint Plunger
KIT	BH-7504-23	FJ5125	1	Lock Kit
KIT	BH-7504-57	GP1019		Plunger/Spring/Ball KIT

* Custom order by request. Sample may be needed.

Model DCOA7



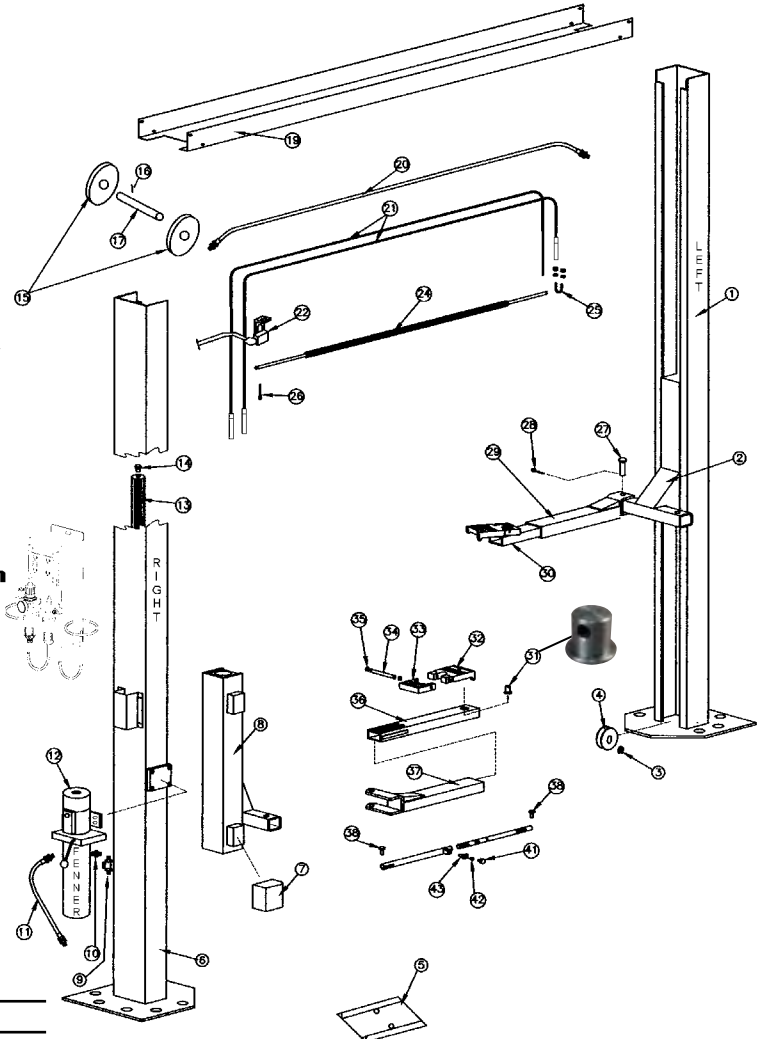
Arm Restraint Individual Complete Assembly

SVI Part #	OEM#	Description
BH-7503-42	FJ7590	Front Arm Restraint Assy
BH-7508-01R	FJ7523	Rear Arm Restraint Assy



Cable kits including fasteners are also available.

For all the carriage lock parts, see index for "Two Post Carriage Locks"



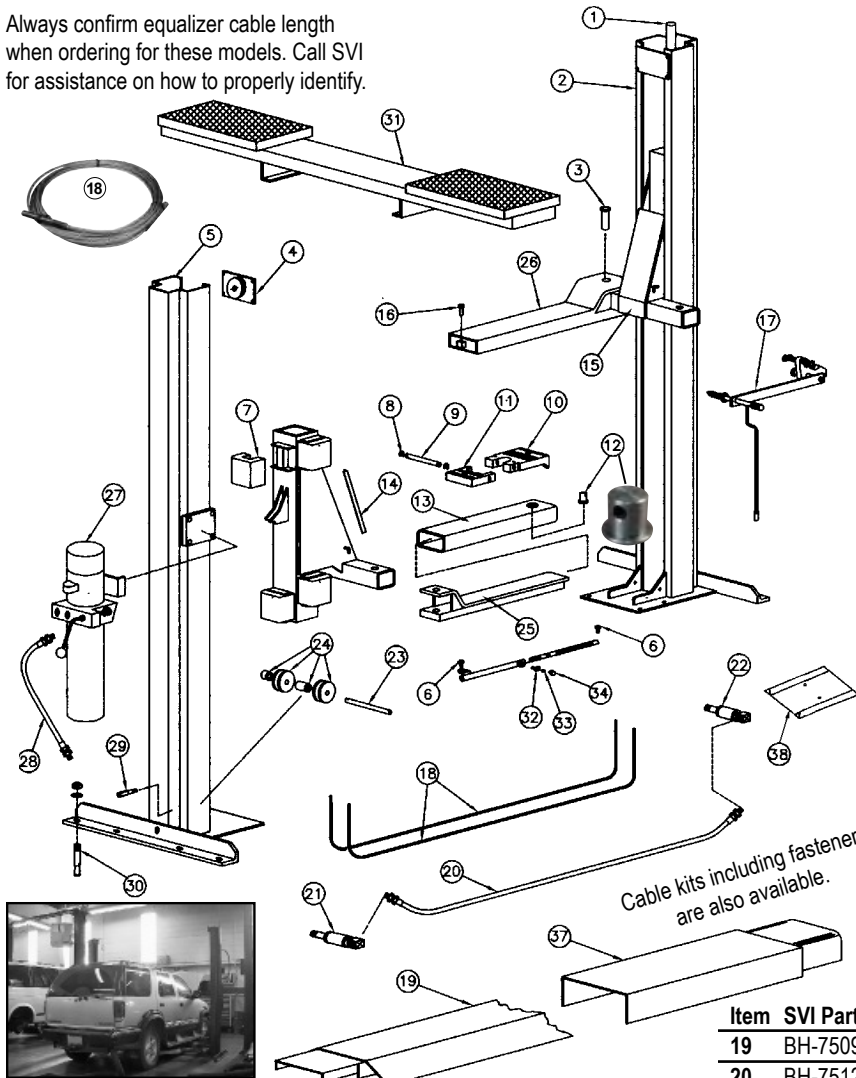
Item	SVI Part #	OEM #	Req	Description
1*	call for details	FJ7583	1	Left Column
2*	BH-7535-10	FJ7581	1	Left Carriage
3	BH-7500-62A	41411		Ext. Retaining Ring 5304-75
4	BH-7500-50	SVI Exclusive	6	Sheave, Steel
	BH-7500-50N	FJ7116-1	6	Sheave, Nylon
5	BH-9701	FF729	1	15" Wide Reach Wheel Spotter
	BH-9702		1	15" Wide Reach Dual Spotter
6*	call for details	FJ7584	1	Right Column
7	BH-7510-03	FJ7360	8	Slider Block (cup style)
	BH-7515-65	FJ5106	2	Shim and Slider Kit (1 carriage)
8*	call for details	FJ7580	1	Right Carriage
9	BH-7535-73	FJ7671	1	Tee
10	BH-7535-72	FJ7670	1	Adapter
11	BH-7512-32	FJ818	1	Power Unit Hose
12	BH-7006A-16	P602	1	Power Unit
13	BH-7511-03	FJ7311	1	Hydraulic Cylinder
	BH-7511-11	FJ7311-12T		Cylinder Seal Kit (Texas Hyd)
14	call for details			Bleeder Screw
15	BH-7500-50	SVI Exclusive	6	Sheave, Steel
	BH-7500-50N	FJ7116-1	6	Sheave, Nylon
16	F-CP-125-1500			1/8" x 1-1/2" Cotter Pin
17	BH-7500-69	FJ7582-6	2	Sheave Shaft
19*	BH-7535-11	FJ7582-1	1	Overhead Form
20	BH-7512-09	FJ819	1	Hydraulic Hose
21	BH-7500-26	FJ7591	2	Equalizer Cable
22	BH-7503-65	FJ7613-1/FJ7613	1	Overhead Limit Switch In Housing

Item	SVI Part #	OEM #	Req	Description
24	BH-7508-34	FJ7613-2	1	Overhead Limit Bar
25	BH-7506-43	FJ7448-1	1	U-Bolt
26	F-CP-125-1000			1/8" x 1" Cotter Pin
27	BH-7535-17	FJ7593	4	Arm Swivel Pin
28	F-CP-187-2000		4	3/16" x 2" Cotter Pin
29*	call for details	FJ7587-1	1	Rear Left Outer Swing Arm
	call for details	FJ7588-1	1	Rear Right Outer Swing Arm
30*	call for details	FJ7587-7	2	Rear Inner Swing Arm Kit
31	BH-9755-25L	FJ79-6	4	Adapter Swivel Pin
32	BH-9755-20	FJ671-1	4	High Step Ductile Iron Adapter
	BH-9789-98	FJ697	4	Rubber Pad Adapter for Flip-Up
33	BH-9755-21	FJ671-2	4	Low Step Ductile Iron Adapter
34	BH-9755-22	FJ671-3	4	Adapter Pivot Pin
35	BH-9755-26	FJ671-6	8	Hog Ring Clip
36*	call for details	FJ7585-9	2	Front Inner Swing Arm Kit
37*	call for details	FJ7586-1	1	Front Right Outer Swing Arm
	BH-7503-43	FJ7585-1	1	Front Left Outer Swing Arm
38	F-CV-375-1250	FJ7359-5	4	Clevis Pin
41	BH-7503-45	FC134-9-10	4	Red Ball
42	BH-7503-46	FC134-9-7	4	Arm Restraint Spring
43	BH-7503-47	FJ7233-25	4	Arm Restraint Plunger
KIT	BH-7504-23	FJ5125	1	Lock Kit
KIT	BH-7504-57	GP1019		Plunger/Spring/Ball KIT

* Custom order by request. Sample may be needed.

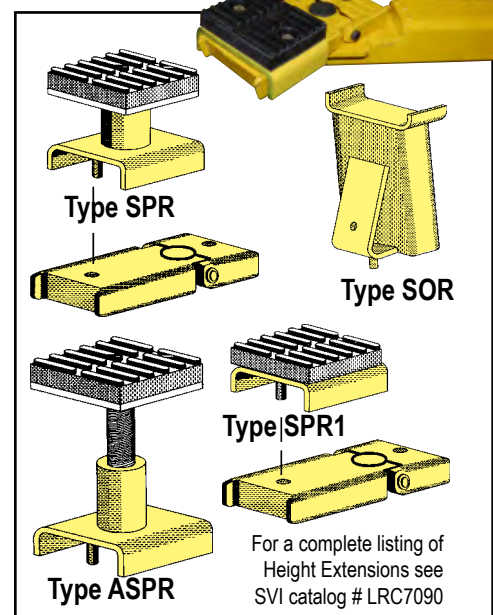


Always confirm equalizer cable length when ordering for these models. Call SVI for assistance on how to properly identify.



Models SP80 and SP84

Height Extensions for use on most Rotary lifts



SVI Rapid Fire Response...

Special Note of Interest: Always upgrade the equalizer cables to that of stainless steel construction on any floor plate lift model. A stainless steel equalizer cable will withstand the rigors of the application much better and provide longer intervals between service.

Item	SVI Part #	OEM #	Req	Description
1	BH-7511-06	FJ7375/FJ7211	2	Hydraulic Cylinder & Adapter Kit
2*	call for details	FJ7285	1	Right Column
3	BH-7502-12	FJ730-4	4	Arm Pin
4	BH-7502-11	FJ719-6	2	Upper Sheave Assy
	BH-7500-50	FJ7116-1	6	Sheave, Steel
5*	call for details	FJ7284	1	Left Column
6	BH-7503-48	FJ7233-22	8	Clevis Pin
7	BH-7510-01	FJ7236	12	Slider Block
8	BH-9755-26	FJ671-6	8	Hog Ring Clip
9	BH-9755-22	FJ671-3	4	Adapter Pin
10	BH-9755-20	FJ671-1	4	High Step Ductile Iron Adapter
	BH-9789-98	FJ697	4	Rubber Pad Adapter for Flip-Up
11	BH-9755-21	FJ671-2	4	Low Step Ductile Iron Adapter
12	BH-9755-25L	FJ671-5	4	Adapter Swivel Pin
13	BH-7508-40	FJ775-1	4	Sleeve Only
14	BH-7510-04	FJ761-4	2	Foam Tape
15*	BH-7510-08	FJ7242-1	2	Carriage (SP84)
	call for details	FJ7349-2	2	Carriage (SP80)
16	F-SC-0375-16-1000	FJ7112	4	3/8-1 Socket Head Capscrew
17	BH-7503-02	FJ748	2	Carriage Latch Kit
18	BH-7500-01	FJ719-1	2	Eq. Cable Assy 24' 8-1/2"
	BH-7500-01SS	FJ719-1SS	2	Eq. Cable Assy (stainless steel)
	BH-7500-02	FJ776	2	Eq. Cable Assy 24' 3/8"
	BH-7500-02SS	FJ776SS	2	Eq. Cable Assy (stainless steel)

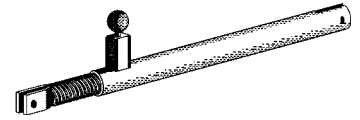
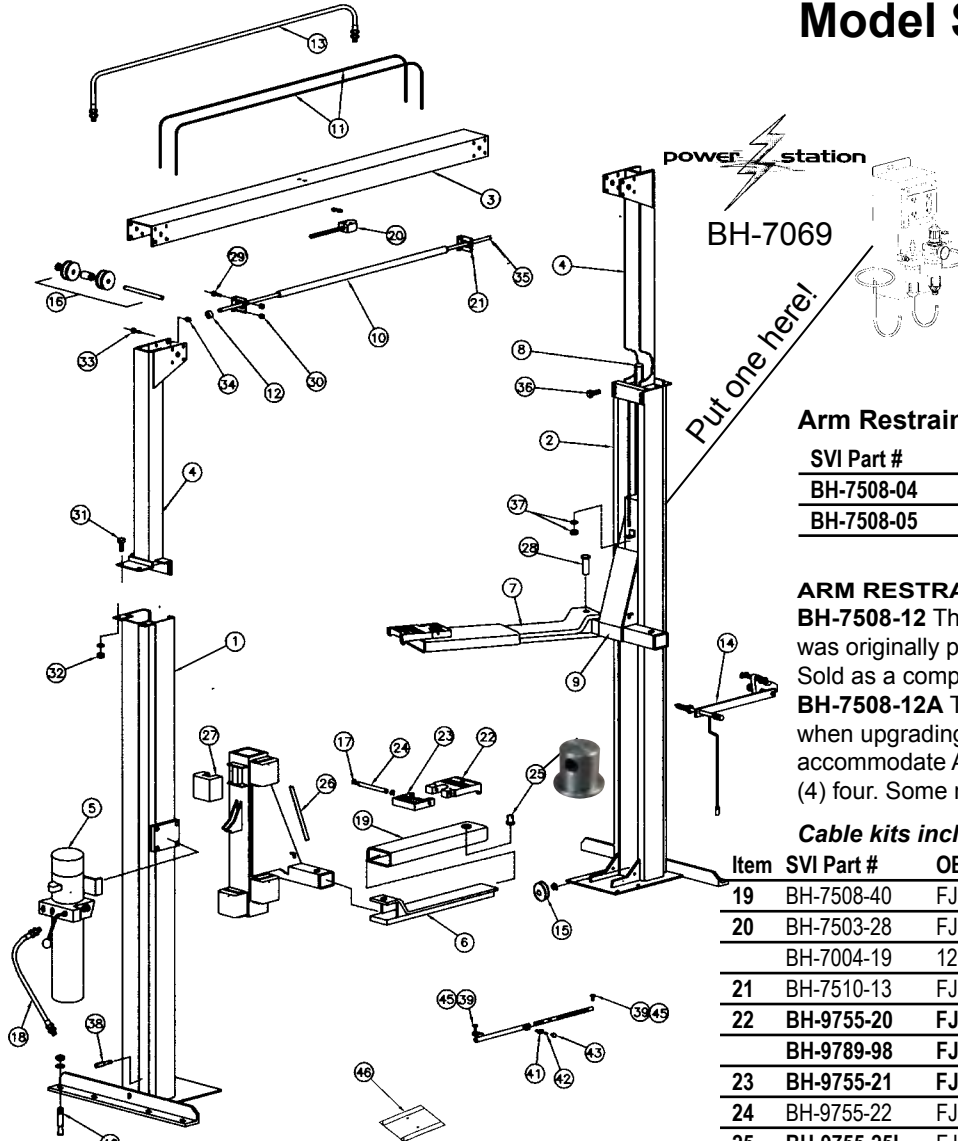
Item	SVI Part #	OEM #	Req	Description
19	BH-7509-84	FJ7250	1	Center Cover Plate Kit (FJ577)
20	BH-7512-05	FJ88	1	Hydraulic Hose
21	BH-7510-05	FJ7214	1	RH Piping Assy
22	BH-7510-06	FJ7215	1	LH Piping Assy
23	BH-7500-65A	FJ719-12	2	Sheave Pin
24	BH-7500-65	FJ797	2	Lower Sheave Kit
	BH-7500-50	SVI Exclusive	6	Sheave, Steel
	BH-7500-50N	FJ7116-1	6	Sheave, Nylon
25*	BH-7504-02	FJ7239	1	Right Rear Swing Arm
	BH-7504-03	FJ7240	1	Right Front Swing Arm
	BH-7504-04	FJ7241	1	Left Front Swing Arm
	BH-7504-01	FJ7238	1	Left Rear Swing Arm
26	call for details			Arm (SP80)
27	BH-7006A-16	P602	1	Power Unit 2hp, 1ph, 3450 RPM
28	BH-7512-30	FJ816	1	Hydraulic Hose
29	call for details	FJ741-7	2	Cylinder Adapter Fitting
30	BH-7075-03		16	Anchor 3/4" X 5-1/2"
31	call for details	FJ779	2	Pad and Support Assy (SP80)
32	BH-7503-47	FJ7233-25	4	Arm Restraint Plunger
33	BH-7503-46hd	FC134-89	4	Arm Restraint Spring
34	BH-7503-45	FC134-91	4	Red Ball
37	BH-7510-07	FJ7314	1	Center Cover (SP80) - NLA
38	BH-9701	SVI Exclusive	1	15" Wide Reach Wheel Spotter
	BH-9702	SVI Exclusive	1	15" Wide Reach Dual Spotter
KIT	BH-7504-57	GP1019		Plunger/Spring/Ball KIT
--	BH-7500-70	FJ750		Sheave Kit for SP84

* Custom order by request. Sample may be needed.

All names, numbers, symbols and descriptions are used for reference purposes only. It is not implied that any part listed is the product of these manufacturers. SVI does not represent and is not associated in any way with any other companies.



Model SPO84



Arm Restraint Individual Complete Assemblies

SVI Part #	OEM#	Description
BH-7508-04	FJ7516	LF / RR Arm Restraint Assy
BH-7508-05	FJ7517	RF / LR Arm Restraint Assy

ARM RESTRAINT KITS

BH-7508-12 This Arm Restraint Kit is used on lift that was originally produced to accommodate Arm Restraints. Sold as a complete set of (4) four.

BH-7508-12A This Arm Restraint Kit should be ordered when upgrading a lift that was not originally produced to accommodate Arm Restraints. Sold as a complete set of (4) four. Some modification may be necessary.

Cable kits including fasteners are also available.

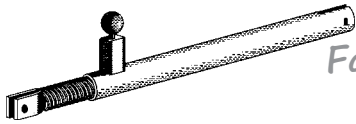
Item	SVI Part #	OEM #	Req	Description
1*	n/a	FJ7291	1	Right Hand Column
2*	n/a	FJ7290	1	Left Hand Column
3*	BH-7510-11	FJ7108-1	1	Overhead Structure
4*	BH-7510-10	FJ7104	1	Column Overhead Extension
5	BH-7006-01LS	P602	1	Power Unit 2hp, 1ph, 3450RPM
6*	BH-7504-02	FJ7239	1	RR Swing Arm
	BH-7504-03	FJ7240	1	RF Swing Arm
7*	BH-7504-01	FJ7238	1	LR Swing Arm
	BH-7504-04	FJ7241	1	LF Swing Arm
8	BH-7511-06	FJ7375/FJ7211	2	Hydraulic Cylinder & Adapter Kit
9*	BH-7510-08	FJ7242-1	2	Carriage Weldment
10	BH-7510-12	FJ7108-7-1-2	1	Overhead Bar Cushion
11	BH-7500-05	FJ7101	2	Equalizer Cable
12	F-FW-0750-SAE	FJ7108-7-3	2	3/4" Washer
13	BH-7512-07	FJ86	1	Hydraulic Hose
14	BH-7503-02	FJ748	2	Carriage Latch Kit
15	BH-7500-50	SVI Exclusive	6	Sheave, Steel
	BH-7500-50N	FJ7116-1	6	Sheave, Nylon
16	BH-7500-61	FJ7109	1	Sheave Kit, (Nylon Sheaves)
17	BH-9755-26	FJ671-6	8	Hog Ring Clip
18	BH-7512-52	FJ7191	1	Hydraulic Hose

Item	SVI Part #	OEM #	Req	Description
19	BH-7508-40	FJ775-1	4	Sleeve Only
20	BH-7503-28	FJ7868	1	Overhead Limit Switch Assy
	BH-7004-19	1258-AA	1	Overhead Limit Switch
21	BH-7510-13	FJ7108-7-2	1	Bracket
22	BH-9755-20	FJ671-1	4	High Step Ductile Iron Adapter
	BH-9789-98	FJ697	4	Rubber Pad Adapter for Flip-Up
23	BH-9755-21	FJ671-2	4	Low Step Ductile Iron Adapter
24	BH-9755-22	FJ671-3	4	Adapter Swivel Pin
25	BH-9755-25L	FJ671-5	4	Swivel Pin
26	BH-7510-04	FJ761-4	2	Foam Tape
27	BH-7510-01	FJ7236	12	Slider Block
28	BH-7502-12	FJ730-4	4	Arm Swivel Pin
29	F-HC-0250-20-0750		4	1/4-20 X 3/4 Capscrew
30	F-HN-0250-20		4	1/4-20 Hex Nut
31	F-HC-0375-16-1250		4	3/8-16 X 1-1/4 Capscrew
32	F-LN-037-16		4	3/8-16 Lock Nut
33	F-HC-0375-16-0750		16	3/8-16 X 1-1/4 Capscrew
34	F-LN-037-16		16	3/8-16 Lock Nut
35	BH-7510-14	FJ7108-7-1-1	1	Overhead Limit Bar
36	F-HC-0500-13-0750		8	1/2"-13 X 3/4 Capscrew
37	F-JN-0500-13		4	1/2"-13 Jam Nut
38	call for details	FJ741-7	2	Cylinder Adapter
39	F-CP-125-1000		8	1/8" X 1" Cotter Pin
41	BH-7503-47	FJ7233-25	4	Arm Restraint Plunger
42	BH-7503-46HD	FC134-89	4	Spring
43	BH-7503-45	FC134-91	4	Red Ball
45	BH-7503-48	FJ7233-22	8	Clevis Pin
46	BH-9701	SVI Exclusive	1	15" Wide Reach Wheel Spotter
	BH-9702	SVI Exclusive	1	15" Wide Reach Dual Spotter
KIT	BH-7504-57	GP1019		Plunger/Spring/Ball KIT

* Custom order by request. Sample may be needed.



Model SPOA84



For Rotary Lifts,
SVI has it all!

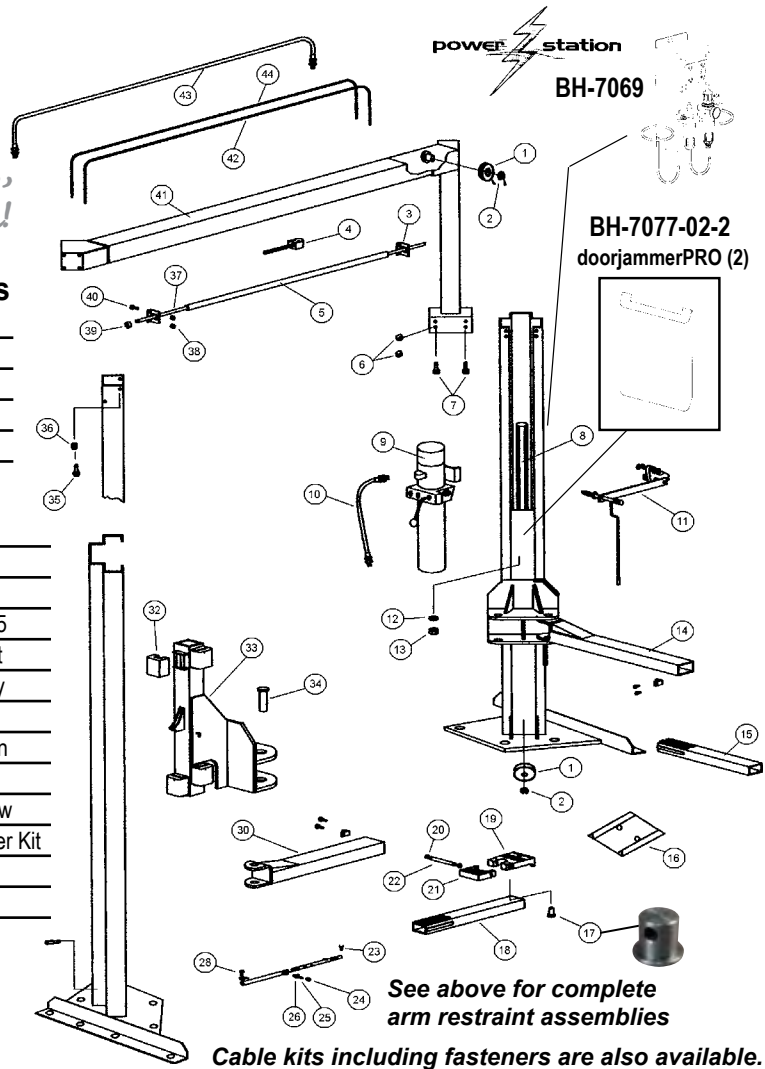
Arm Restraint Individual Complete Assemblies

SVI Part #	OEM#	Description
BH-7508-07	FJ7519	Left Front Arm Restraint Assy
BH-7508-06	FJ7518	Right Front Arm Restraint Assy
BH-7508-09	FJ7521	Right Rear Arm Restraint Assy
BH-7508-08	FJ7520	Left Rear Arm Restraint Assy

Item	SVI Part #	OEM #	Req	Description
1	BH-7500-50		6	Sheave, Steel
	BH-7500-50N	FJ7116-1	6	Sheave, Nylon
2	BH-7500-62A		6	Ext. Retaining Ring 5304-75
3*	BH-7510-13	FJ7108-7-2		Overhead Limit Bar Bracket
4	BH-7503-28	FJ7108-2	1	Overhead Limit Switch Assy
	BH-7004-19	1258-AA	1	Overhead Limit Switch
5*	BH-7510-12	FJ7108-7-1-2		Overhead Limit Bar Cushion
6	F-NL-0500-13			1/2-13 Nylock Locknut
7	F-HC-0500-13-0750			1/2-13" x 3/4" Hex Capscrew
8	BH-7511-06	FJ7375/FJ7211	2	Hydraulic Cylinder & Adapter Kit
9	BH-7006A-16	P502	1	Power Unit
10	BH-7506-08	FJ732-2	1	Power Unit Hose

SVI also stocks other lengths of **Equalizer Cables** than those listed for SPOA84 models. For example, some SPOA84 models were sold with restricted rise column extensions. These restricted rise models use shorter equalizer cables than those listed. Call for details.

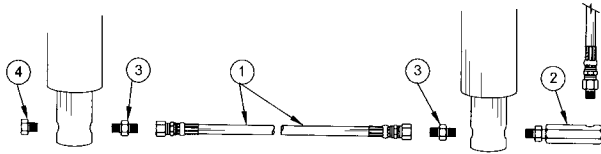
Item	SVI Part #	OEM #	Req	Description
11	BH-7503-03	FJ7227	2	Locking Latch Assembly
12	F-JN-0500-13		4	1/2-13 Jam Nut
13	F-HN-0500-13		4	1/2-13 Hex Nut
14*	BH-7503-88	FJ258-1	1	Right Rear Outer Arm
	BH-7503-96	FJ257-1	1	Left Rear Outer Arm
15*	BH-7503-97	FJ7150-2	2	Rear Inner Arm Kit
16	BH-9701	FF729	1	15" Wide Reach Wheel Spotter
	BH-9702		1	15" Wide Reach Dual Spotter
17	BH-9755-25L	FJ79-6	4	Adapter Swivel Pin
18*	BH-7503-82	FJ7255-8	2	Front Inner Arm
19	BH-9755-20	FJ671-1	4	High Step Ductile Iron Adapter
	BH-9789-98	FJ697	4	Rubber Pad Adapter for Flip-Up
20	BH-9755-26	FJ671-6	8	Hog Ring
21	BH-9755-21	FJ671-2	4	Low Step Ductile Iron Adapter
22	BH-9755-22	FJ671-3	4	Adapter Swivel Pin
23	BH-7503-48	FJ233-22	8	Clevis Pin
24	BH-7503-45	FC134-9-10	4	Red Ball
25	BH-7503-46	FC134-9-7	4	Arm Restraint Spring
26	BH-7503-47	FJ233-25	4	Arm Restraint Plunger
28	BH-7503-48	FJ233-22	8	Clevis Pin
30*	BH-7503-77	FJ7255-1	1	Left Front Outer Arm
	BH-7507-77	FJ7256-1	1	Right Front Outer Arm



Item	SVI Part #	OEM #	Req	Description
31	BH-7503-78	FJ7255-12		Formed Arm Stop
32	BH-7510-01	FJ7236	12	Carriage Slider Block
33*	BH-7502-21	FJ7298	1	Right Carriage Assembly
	BH-7502-20	FJ7297	1	Left Carriage Assembly
34	BH-7502-02	FJ7152	4	Arm Swivel Pin
	BH-7502-02FP		4	Arm Swivel Pin (fixes arm sag)
35	F-HC-0375-16-0750		8	3/8-16 x 3/4" Hex Capscrew
36	F-NL-0375-16		8	3/8-16 Nylock Nut
37	BH-7510-14	FJ7108-7-1-1		Overhead Limit Bar
38	F-NL-0250-20		4	1/4-20 Nylock
39	BH-7510-14A	FJ7108-7-3	1	Washer
40	F-HC-0250-20-0750		4	1/4-20 x 3/4" Hex Capscrew
41*	BH-7534-40	FJ7153-1	1	Overhead Crossmember
42	BH-7500-06	FJ7156	1	Long Equalizer Cable 32' 5-5/16"
43	BH-7512-07	FJ86	1	Overhead Hydraulic Hose
44	BH-7500-07	FJ7157	1	Short Equalizer Cable 32' 2-9/16"
KIT	BH-7500-06K	GP1017		Equalizer Cable Set
KIT	BH-7504-57	GP1019		Plunger/Spring/Ball KIT
--	BH-7075-03			Wedge Anchors
--	BH-7502-06	FJ698		Rubber Pad Adapter - High
--	BH-9755-50	FJ696		9" Slip-On Height Ext., SOR-style

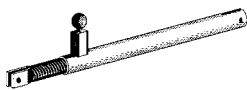
* Custom order by request. Sample may be needed.

Model SP88



Hydraulic Line & Fittings for SP88

Item	SVI Part #	OEM #	Req	Description
1	BH-7512-08	FJ7356	1	Hydraulic Hose
2	BH-7511-04	FJ7353-2	1	Cylinder Adapter
3	BH-7511-05	FJ7352-3	2	Male x Male Adapter
4	BH-7502-56	FJ7352-2	1	Cylinder Plug

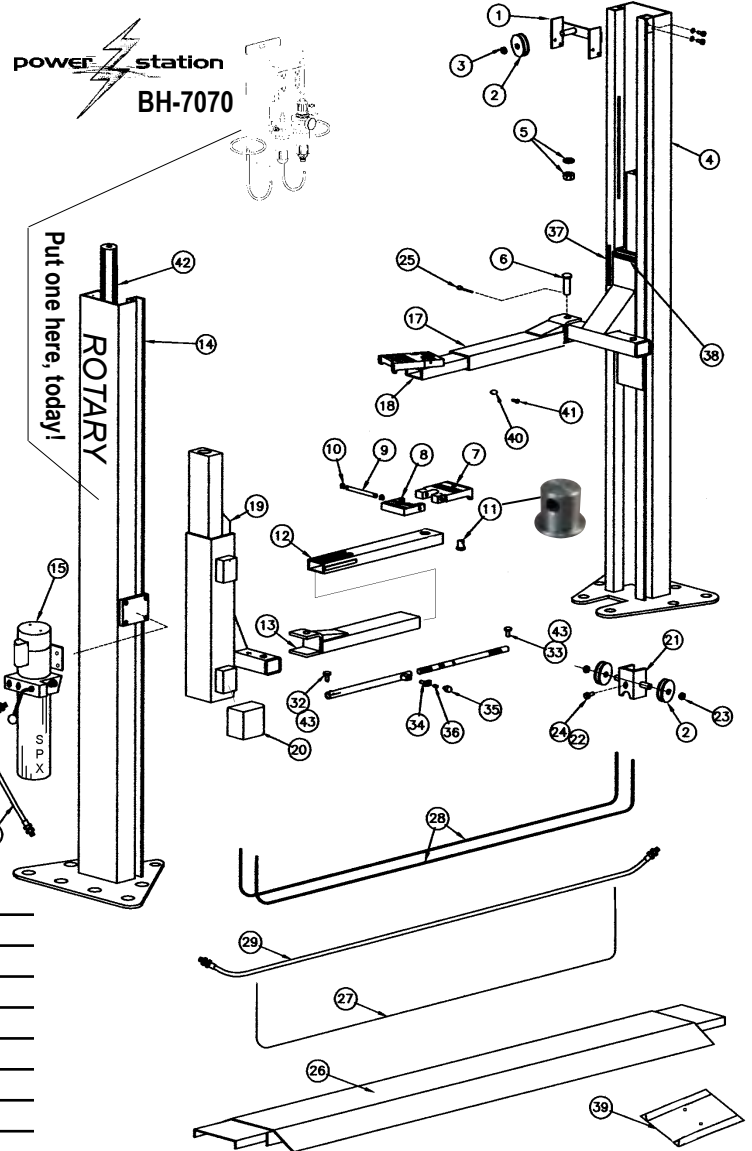


Arm Restraint Individual Complete Assembly

SVI Part #	OEM#	Description
BH-7503-50	FJ7522	Arm Restraint Assy
BH-7508-14	FJ7359	Arm Restraint Kit

For all the carriage lock parts see index for "Two Post Carriage Locks"

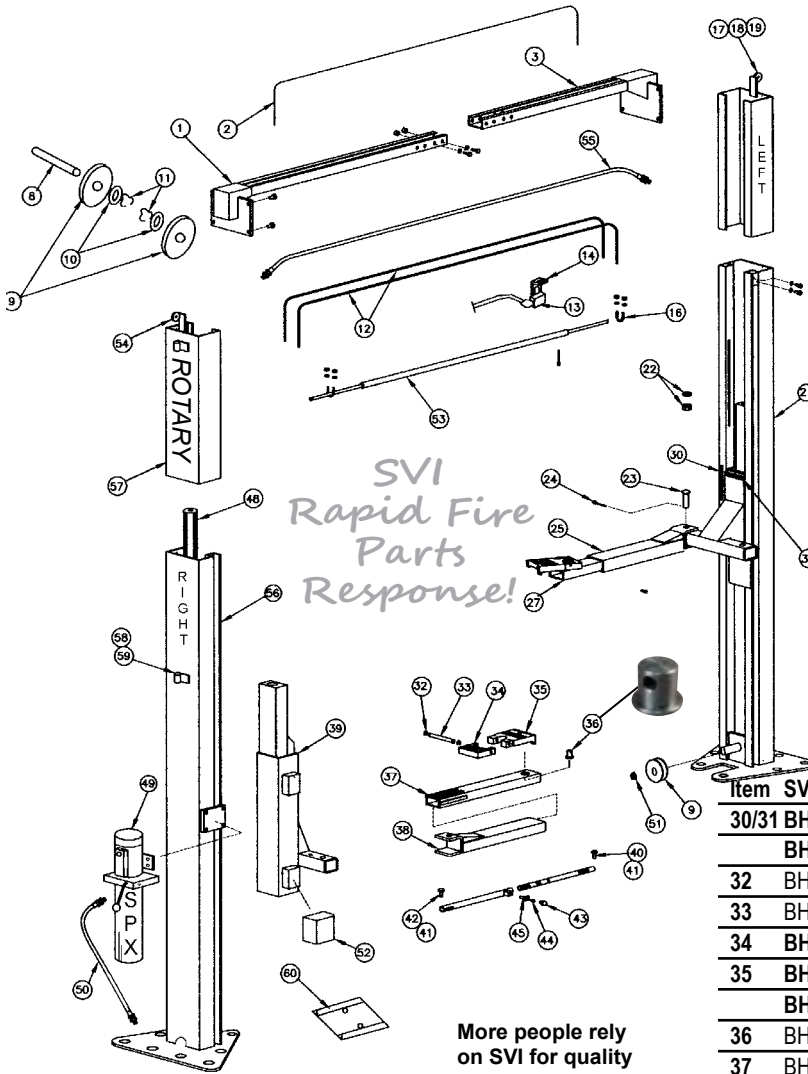
Item	SVI Part #	OEM #	Req	Description
1	BH-7502-80	FJ7428-3	2	Top Sheave Bracket
2	BH-7500-50	SVI Exclusive	6	Sheave, Solid Steel
	BH-7500-50N	FJ7116-1	6	Sheave, Nylon
3	BH-7500-62A		6	Ext. Retaining Ring 5304-75
4*	call for details	FJ7425	1	Left Column
5	F-JN-0500-13		4	1/2-13 Hex Jam Nut
	F-HN-0500-13		4	1/2-13 Hex Nut
6	BH-7502-60	FJ7453-4	4	Arm Swivel Pin
7	BH-9755-20	FJ671-1	4	High Step Ductile Iron Adapter
	BH-9789-98	FJ697	4	Rubber Pad Adapter for Flip-Up
8	BH-9755-21	FJ671-2	4	Low Step Ductile Iron Adapter
9	BH-9755-22	FJ671-3	4	Adapter Pin
10	BH-9755-26	FJ671-6	8	Hog Ring
11	BH-9755-25L	FJ79-6	4	Adapter Swivel Pin
12*	BH-7503-92	FJ7416-2	4	Inner Swing Arm
13*	BH-7502-63	FJ7455-1	2	RF / LR Outer Arm
14*	call for details	FJ7426	1	Right Column
15	BH-7006A-16	P502	1	Power Unit
16	BH-7512-32	FJ818	1	Power Unit Hose
17*	BH-7502-65	FJ7456-1	2	LF / RR Outer Arm
18*	BH-7503-92C	FJ7416-2	4	Inner Arm Kit (includes adapter)
19	BH-7502-57	FJ7453	2	Carriage Weldment
20	BH-7510-03	FJ7360	8	Slider Block (cup style)
	BH-7515-65	FJ5106	2	Shim and Slider Kit (1 carriage)
21	BH-7500-67	FJ7425-6	2	Lower Sheave Shaft Bracket
22	F-HC-0250-20-1000		2	1/4-20 x 1" Hex Capscrew
23	BH-7500-62A		6	Ext. Retaining Ring 5304-75
24	F-LN-0250-20		2	1/4-20 Lock Nut
25	F-CP-187-2000		4	3/16" x 2" Cotter Pin
26	BH-7509-83	FJ576	1	Center Cover Kit



Cable kits including fasteners are also available.

Item	SVI Part #	OEM #	Req	Description
27	BH-7501-24	FJ7594-1	1	Locking Latch Release Cable
28	BH-7500-21	FJ7422	2	Equalizer Cable Assy
29	BH-7512-08	FJ7356	1	Hydraulic Hose
--	BH-7503-50	FJ7522	4	Arm Restraint Assy Complete
32	BH-7503-48	FJ7233-22	4	Clevis Pin for Outer Tube
33	F-CV-375-1250	FJ7359-5	4	Clevis Pin for Inner Bar
34	BH-7503-47	FJ7233-25	4	Arm Restraint Plunger
35	BH-7503-45	FC134-9-10	4	Red Ball
36	BH-7503-46HD	FC134-9-7	4	Arm Restraint Spring
37/38	BH-7077-02-2	SVI Exclusive	1	doorjammerPRO protection (pair)
	BH-7077-02-2S	SVI Exclusive	1	doorjammerPRO 12" (pair)
39	BH-9701	FF729	1	15" Wide Reach Wheel Spotter
	BH-9702	SVI Exclusive	1	15" Wide Reach Dual Spotter
40	F-FW-0312-USS		4	5/16" Flatwasher
41	BH-7531-21	FC576	4	Hex Capscrew
42	BH-7511-03	FJ7311	2	Hydraulic Cylinder
	BH-7511-11			Hydraulic Cylinder Seal Kit
43	F-CP-125-0750		8	1/8" x 3/4" Cotter Pin
KIT	BH-7504-57	GP1019		Plunger/Spring/Ball KIT

* Custom order by request. Sample may be needed.



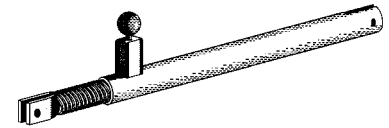
*SVI
Rapid Fire
Parts
Response!*

More people rely on SVI for quality lift repair parts than anyone else.

Model SPO88

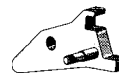


SVI offers easy, everyday solutions to increase shop efficiency!



Arm Restraint Individual Complete Assembly

SVI Part #	OEM#	Description
BH-7503-50	FJ7522	Arm Restraint Assy
BH-7508-14	FJ7359	Arm Restraint Kit



For all the carriage lock parts see index for "Two Post Carriage Locks"

Call for special length cables for extended height models.

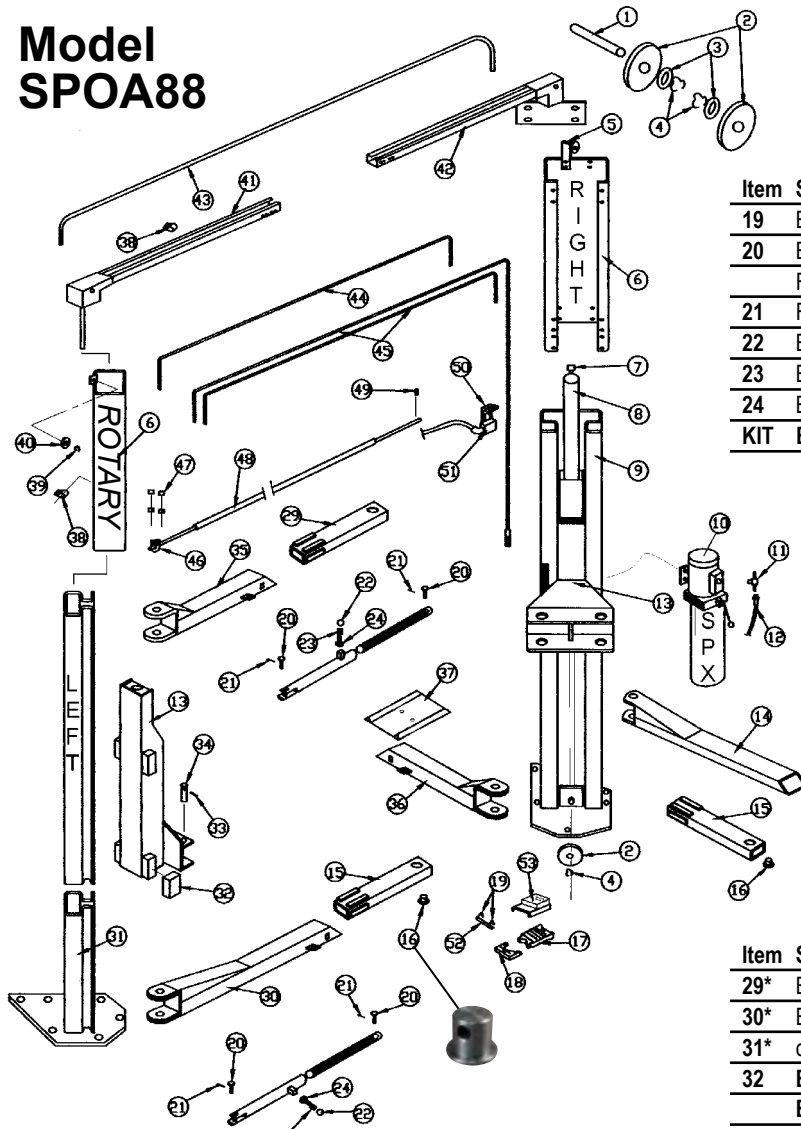
Cable kits including fasteners are also available.

Item	SVI Part #	OEM #	Req	Description
1*	BH-7500-73	FJ7446	1	Right Overhead Crossbeam
2	BH-7501-24	FJ7594-1	1	Locking Latch Release Cable
3*	BH-7500-74	FJ7447	1	Left Overhead Crossbeam
8	BH-7500-68	FJ7444-8	2	Sheave Shaft
9	BH-7500-50	FJ7116-1	6	Sheave, Steel
	BH-7500-50N	FJ7116-1	6	Sheave, Nylon
10	BH-7500-49B	41388	4	Spacer 1-1/2" x .045
11	BH-7500-62A	41411	6	Ext. Retaining Ring 5304-75
12	BH-7500-23	FJ7450	2	Equalizer Cable
13	BH-7004-36	FJ7448	1	Overhead Limit Switch
14	BH-7503-04B	FJ7448-5	1	Overhead Limit Switch Bracket
16	BH-7506-43	FJ7448-1	2	U-Bolt
17	BH-7502-90	FJ7446-3		LH Lock Sheave Overhead Bracket
18	BH-7510-16	41410		Ext. Retaining Ring 5304-37
19	BH-7501-26	FJ7322	2	Lock Latch Sheave
21*	call for details	FJ7403	1	Left Column
22	F-JN-0500-13		4	1/2-13 Hex Jam Nut
	F-HN-0500-13		4	1/2-13 Hex Nut
23	BH-7502-60	FJ7453-4	4	Arm Swivel Pin
24	F-CP-187-2000		4	3/16" x 2" Cotter Pin
25*	BH-7502-64A-02	FJ7455-1	2	LR / RF Outer Swing Arm
27	BH-7503-92	FJ7416-2	4	Inner Arm Kit (includes adapters)

Item	SVI Part #	OEM #	Req	Description
30/31	BH-7077-02-2	FJ7391-2	1	doorjammerPRO pair 24"
	BH-7077-02-2S		1	doorjammerPRO pair 12"
32	BH-9755-26	FJ671-6	8	Hog Ring
33	BH-9755-22	FJ671-3	4	Adapter Pin
34	BH-9755-21	FJ671-2	4	Low Step Ductile Iron Adapter
35	BH-9755-20	FJ671-1	4	High Step Ductile Iron Adapter
	BH-9789-98	FJ697	4	Rubber Pad Adapter for Flip-Up
36	BH-9755-25L	FJ79-6	4	Adapter Swivel Pin
37	BH-7503-92	FJ7416-2	4	Inner Swing Arm
38*	BH-7502-65	FJ7456-1	2	LF / RR Outer Swing Arm
39	BH-7502-62	FJ7454	2	Carriage Weldment
40	F-CV-375-1250	FJ7359-5	4	Clevis Pin for Inner Bar
41	F-CP-125-0750		8	1/8" x 3/4" Cotter Pin
42	BH-7503-48	FJ7233-22	4	Clevis Pin for Outer Tube
43	BH-7503-45	FC134-9-10	4	Red Ball
44	BH-7503-46	FC134-9-7	4	Arm Restraint Spring
45	BH-7503-47	FJ7233-25	4	Arm Restraint Plunger
48	BH-7511-03	FJ7311	2	Hydraulic Cylinder
	BH-7511-11			Hydraulic Cylinder Seal Kit
49	BH-7006A-16	P502	1	Power Unit
50	BH-7512-32	FJ818	1	Power Unit Hose
51	BH-7500-62A	41411	6	Ext. Retaining Ring 5304-75
52	BH-7510-03	FJ7360	8	Slider Block (cup style)
	BH-7515-65	FJ5106	2	Shim and Slider Kit (1 carriage)
53	BH-7503-04	FJ7448-2	1	Overhead Limit Bar Assembly
54	BH-7502-90	FJ7446-5	1	RH Lock Sheave Overhead Bracket
55	BH-7512-09	FJ819	1	Overhead Hydraulic Hose
56*	call for details	FJ7402	1	Right Column
57*	BH-7506-35	FJ7443	2	Column Extension (standard)
58	BH-7507-40	FJ7206	4	Line Clip
59	F-MS-0010-24-0437		4	10-24 x 7/16" Machine Screw
60	BH-9701	FF729	1	15" Wide Reach Wheel Spotter
	BH-9702	SVI Exclusive	1	15" Wide Reach Dual Spotter

* Custom order by request. Sample may be needed.

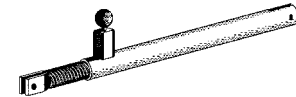
Model SPOA88



12
BH-7512-41 (OEM Ref FJ837)
PU Hose 68" long w/ female ends

Item	SVI Part #	OEM #	Req	Description
19	BH-9755-26	FJ671-6	8	Hog Ring Clip
20	BH-7503-48	FJ7233-22	4	Clevis Pin, arm connection
	F-CV-375-1250	FJ7359-5	4	Clevis Pin, carriage connection
21	F-CP-125-0750		8	1/8" x 3/4" Cotter Pin
22	BH-7503-45	FC134-91	4	Red Ball
23	BH-7503-46	FC134-89	4	Arm Restraint Spring
24	BH-7503-47	FJ7233-25	4	Arm Restraint Plunger
KIT	BH-7504-57	GP1019	4	Plunger/Spring/Ball KIT

For all the carriage lock parts see index for "Two Post Carriage Locks"



Arm Restraint Individual Complete Assembly

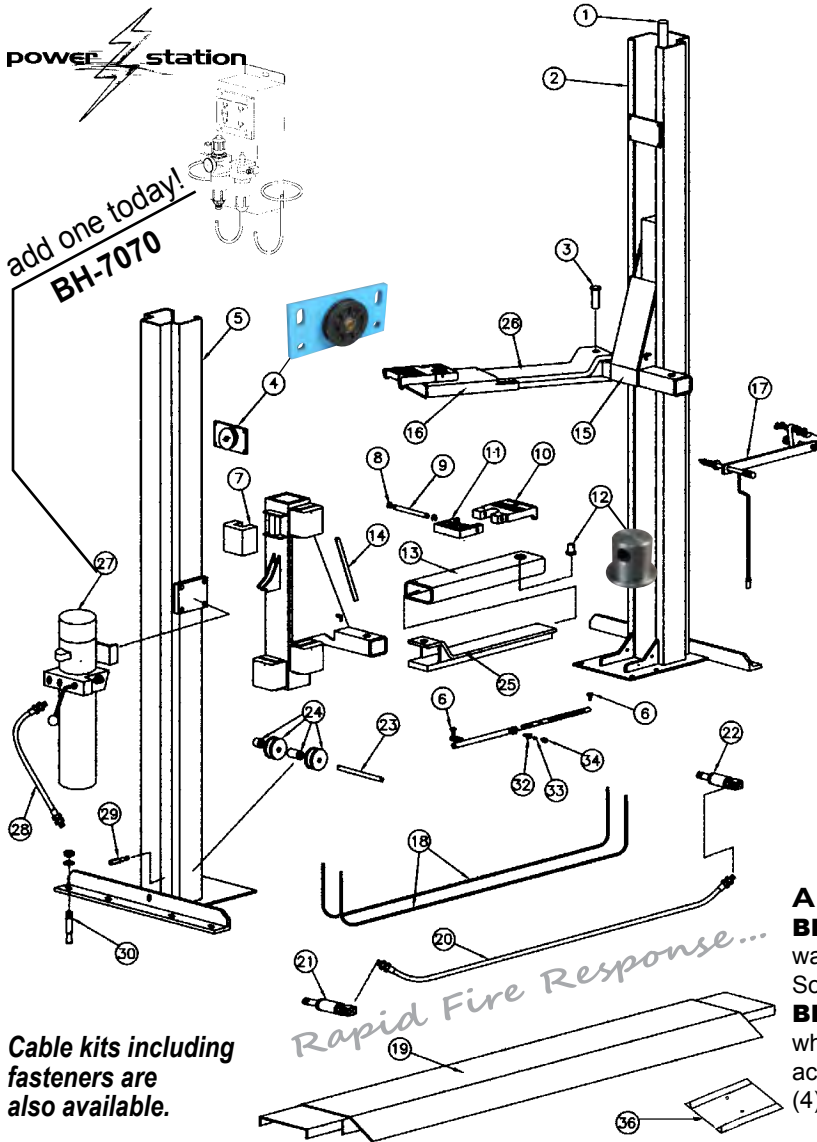
SVI Part #	OEM#	Description
BH-7508-01F	FJ7524	Front Arm Restraint Assy
BH-7508-01R	FJ7523	Rear Arm Restraint Assy
BH-7508-15	FJ7366	Complete Arm Rest. Kit

Cable kits including fasteners are also available.

Item	SVI Part #	OEM #	Req	Description
29*	BH-7503-85	FJ7256-2	2	Front Inner Swing Arm
30*	BH-7503-96	FJ7257-1	1	Left Rear Outer Swing Arm
31*	call for details	FJ7681	1	Left Column
32	BH-7510-03	FJ7360	8	Slider Block (cup style)
	BH-7515-65	FJ5106	2	Shim and Slider Kit (1 carriage)
33	F-CP-187-2000		4	3/16" x 2" Cotter Pin
34	BH-7502-02	FJ7152	4	Swivel Arm Pin
	BH-7502-02FP		4	Swivel Arm Pin (fixes arm sag)
35*	BH-7503-77	FJ7255-1	1	Left Front Outer Swivel Arm
36*	BH-7507-77	FJ7256-1	1	Right Front Outer Swivel Arm
37	BH-9701	FF729	1	15" Wide Reach Wheel Spotter
	BH-9702	SVI Exclusive	1	15" Wide Reach Dual Spotter
38	BH-7535-70	FJ7669	6	Hose Clip
39	BH-7510-16	41410	2	Ext. Retaining Ring 5304-37
40	BH-7501-26	FJ7322	4	Lock Latch Cable Sheave
41	BH-7500-75	FJ7445	1	Left Overhead Crossbeam Assy
42	BH-7500-76	FJ7444	1	Right Overhead Crossbeam Assy
43	BH-7512-16	FJ811	1	Hydraulic Hose
44	BH-7501-25	FJ7594-1	1	Lock Latch Cable Assembly
45	BH-7500-22	FJ7449	2	Equalizer Cable
46	BH-7506-43	FJ7448-1	1	U-Bolt
47	F-HN-0250-20		8	1/4-20 Hex Nut
48	BH-7508-34	FJ7613-2	1	Overhead Limit Crossbar
49	F-CP-125-1000		1	1/8" x 1" Cotter Pin
50	BH-7503-65	FJ7613-1	1	Overhead Limit Switch Housing
51	BH-7004-19	FJ7613	1	Overhead Limit Switch
52	BH-9755-22	FJ671-3	4	Adapter Swivel Pin
53	BH-7502-01	FJ697	4	Rubber Pad Adapter Type SPR1

* Custom order by request. Sample may be needed.

Item	SVI Part #	OEM #	Req	Description
1	BH-7500-68	FJ7444-8	2	Sheave Shaft
2	BH-7500-50	FJ7116-1	6	Sheave, Steel
	BH-7500-50N	FJ7116-1	6	Sheave, Nylon
3	BH-7500-49B	41388	4	Spacer 1-1/2" x .045"
4	BH-7500-62A			Ext. Retaining Ring 5304-75
5	BH-7502-90	FJ7444-11	1	RH Lock Latch Sheave Bracket
	BH-7502-95	FJ7444-9	1	LH Lock Latch Sheave Bracket
6	BH-7506-35	FJ7657	2	Standard Column Extension
7	call for details		2	Bleeder Screw for MF cylinders
8	BH-7511-03	FJ7311	2	Hydraulic Cylinder
9*	call for details	FJ7680	1	Right Column
10	BH-7006A-16	P602	1	Power Unit
11	BH-7535-69	FJ7668	1	Branch Tee
12	BH-7512-41	FJ837	1	PU Hose 68" long w/female ends
	BH-7502-30	FJ7355	1	PU Hose 63-3/4" long w/male ends
13*	BH-7502-54	FJ7382	1	Right Carriage Weldment
	BH-7502-52	FJ7381	1	Left Carriage Weldment
14*	BH-7503-88	FJ7258-1	1	Right Rear Outer Swing Arm
15*	BH-7503-97	FJ7150-2	2	Rear Inner Swing Arm
16	BH-9755-25L	FJ79-6	4	Adapter Swivel Pin
17	BH-9755-20	FJ671-1	4	High Step Ductile Iron Adapter
	BH-9789-98	FJ697	4	Rubber Pad Adapter for Flip-Up
18	BH-9755-21	FJ671-2	4	Low Step Ductile Iron Adapter



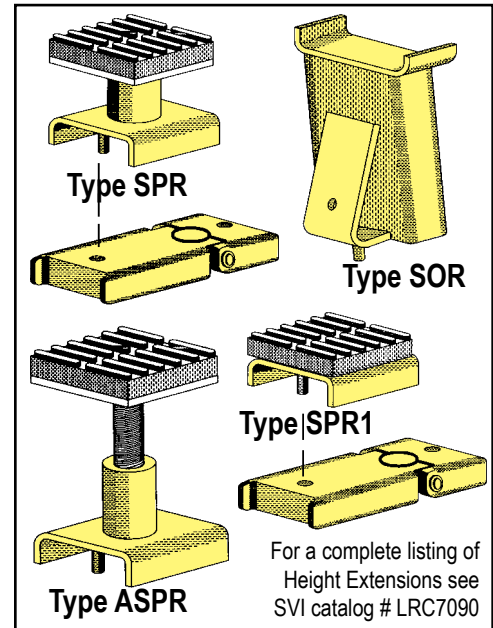
Cable kits including fasteners are also available.

Special Note of Interest: Always upgrade the equalizer cables to that of stainless steel construction on any floor plate lift model. A stainless steel equalizer cable will withstand the rigors of the application much better and provide longer intervals between service. Add "SS" to end of SVI part number to specify stainless steel.

Item	SVI Part #	OEM #	Req	Description
1	BH-7511-06	FJ7375/FJ7211	2	Hydraulic Cylinder & Adapter Kit
2*	n/a	FJ7286	1	Left Hand Column
3	BH-7502-12	FJ730-4	4	Arm Pin
4	BH-7500-49	FJ7116	2	Upper Sheave Assy
	BH-7500-50	FJ7116-1	6	Sheave, Steel
	BH-7500-50N	FJ7116-1	6	Sheave, Nylon
5*	n/a	FJ7287	1	Right Hand Column
6	BH-7503-48	FJ7233-22	8	Clevis Pin
7	BH-7510-01	FJ7236	12	Slider Block
8	BH-9755-26	FJ671-6	8	Hog Ring Clip
9	BH-9755-22	FJ671-3	4	Adapter Pin
10	BH-9755-20	FJ671-1	4	High Step Ductile Iron Adapter
	BH-9789-98	FJ697	4	Rubber Pad Adapter for Flip-Up
11	BH-9755-21	FJ671-2	4	Low Step Ductile Iron Adapter
12	BH-9755-25L	FJ671-5	4	Swivel Pin
13	BH-7502-04	FJ7213-1	4	Sleeve Only
14	BH-7510-04	FJ761-4	2	Foam Tape
15*	BH-7504-10	FJ7265	2	Carriage
16	BH-7510-09	FJ7213	4	Sleeve & Adapter Assy

Model SP94

Height Extensions for use on most Rotary lifts



For a complete listing of Height Extensions see SVI catalog # LRC7090

ARM RESTRAINT KITS

BH-7508-12 This Arm Restraint Kit is used on lift that was originally produced to accommodate Arm Restraints. Sold as a complete set of (4) four.

BH-7508-12A This Arm Restraint Kit should be ordered when upgrading a lift that was not originally produced to accommodate Arm Restraints. Sold as a complete set of (4) four. Some modification may be necessary.

Item	SVI Part #	OEM #	Req	Description
17	BH-7503-02	FJ748	2	Carriage Latch Kit
18	BH-7500-08	FJ7122	2	Equalizer Cable Assy
19	BH-7509-84	FJ7251	1	Center Cover Plate Kit (FJ577)
20	BH-7512-04	FJ89	1	Hydraulic Hose
21	BH-7510-05	FJ7214	1	RH Piping Assy
22	BH-7510-06	FJ7215	1	LH Piping Assy
23	BH-7500-65A	FJ719-12	2	Sheave Pin
24	BH-7500-66	FJ7237	2	Sheave Kit
	BH-7500-50	FJ7116-1	6	Sheave, Steel
	BH-7500-50N	FJ7116-1	6	Sheave, Nylon
25*	BH-7508-11	FJ7230	2	Left Swing Arm
26*	BH-7508-10	FJ7229	2	Right Swing Arm
27	BH-7006A-16	P602	1	Power Unit 2hp, 1ph, 3450 RPM
28	BH-7512-52	FJ7191	1	Hydraulic Hose
29	call for details	FJ741-7	2	Cylinder Adapter Fitting
30	BH-7075-03		16	Anchor 3/4" X 5-1/2"
32	BH-7503-47	FJ7233-25	4	Arm Restraint Plunger
33	BH-7503-46	FC134-89	4	Arm Restraint Spring
34	BH-7503-45	FC134-91	4	Red Ball
36	BH-9701	SVI Exclusive	1	15" Wide Reach Wheel Spotter
	BH-9702	SVI Exclusive	1	15" Wide Reach Dual Spotter
KIT	BH-7504-57	GP1019		Plunger/Spring/Ball KIT

* Custom order by request. Sample may be needed.

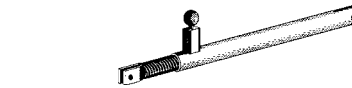
All names, numbers, symbols and descriptions are used for reference purposes only. It is not implied that any part listed is the product of these manufacturers. SVI does not represent and is not associated in any way with any other companies.



Model SP98

SVI Rapid Fire Parts Response...

For all the carriage lock parts see index for "Two Post Carriage Locks"



Arm Restraint Individual Complete Assembly

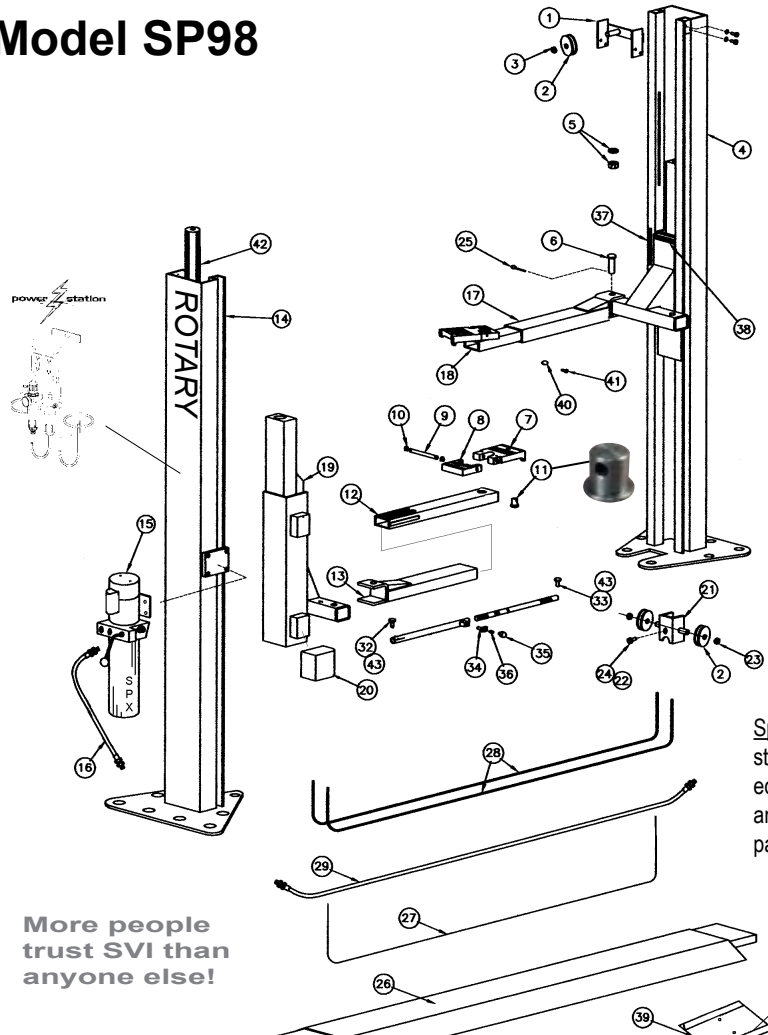
SVI Part #	OEM#	Description
BH-7503-50	FJ7522	Arm Restraint Assy
BH-7508-14	FJ7359	Arm Restraint Kit

Cable kits including fasteners are also available.

Special Note of Interest: Always upgrade the equalizer cables to that of stainless steel construction on any floor plate lift model. A stainless steel equalizer cable will withstand the rigors of the application much better and provide longer intervals between service. Add "SS" to end of SVI part number to specify stainless steel.

SVI Exclusive 15" wide reach wheel spotters are available for all applicable Rotary Lift models.

More people trust SVI than anyone else!



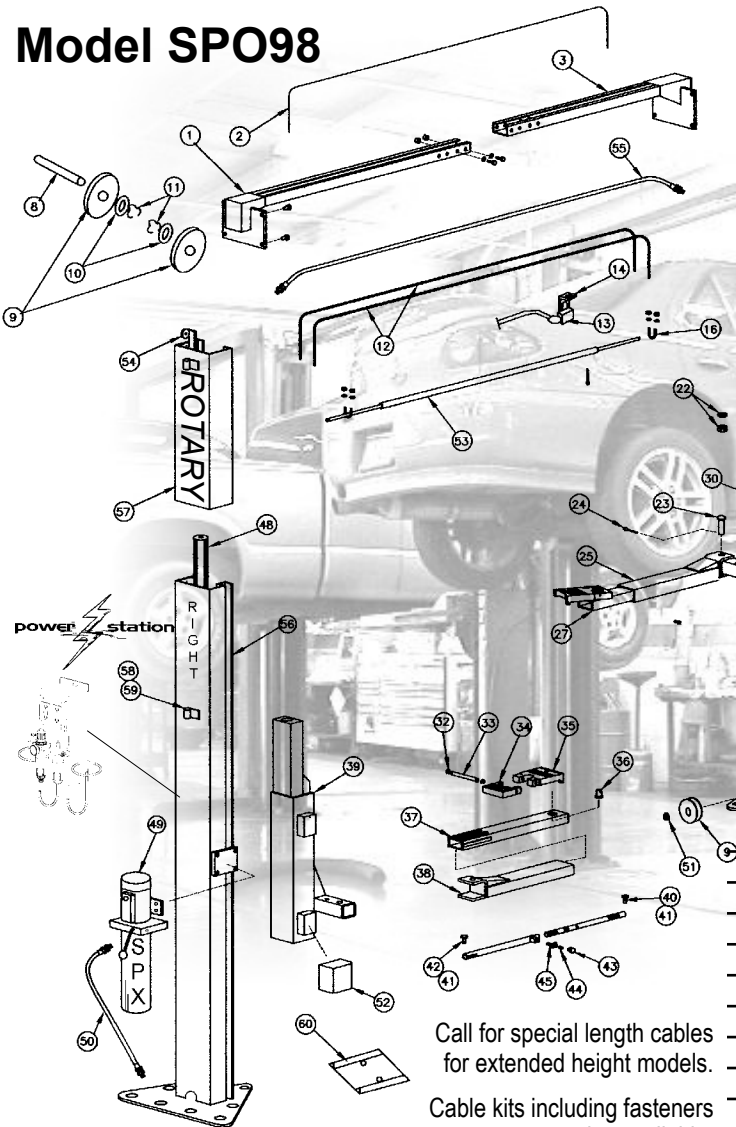
Item	SVI Part #	OEM #	Req	Description
1	BH-7502-80	FJ7428-3	2	Top Sheave Bracket
2	BH-7500-50	SVI Exclusive	6	Sheave, Steel
	BH-7500-50N	FJ7116-1	6	Sheave, Nylon
3	BH-7500-62A		6	Ext. Retaining Ring 5304-75
4*	call for details	FJ7425	1	Left Column
5	F-JN-0500-13		4	1/2-13 Hex Jam Nut
	F-HN-0500-13		4	1/2-13 Hex Nut
6	BH-7502-60	FJ7453-4	4	Arm Swivel Pin
7	BH-9755-20	FJ671-1	4	High Step Ductile Iron Adapter
	BH-9789-98	FJ697	4	Rubber Pad Adapter for Flip-Up
8	BH-9755-21	FJ671-2	4	Low Step Ductile Iron Adapter
9	BH-9755-22	FJ671-3	4	Adapter Swivel Pin
10	BH-9755-26	FJ671-6	8	Hog Ring
11	BH-9755-25L	FJ79-6	4	Adapter Swivel Pin
12	BH-7503-92	FJ7416-2	4	Inner Arm
13*	BH-7502-69	FJ7458-1	2	RF / LR Outer Arm
14*	call for details	FJ7508	1	Right Column
15	BH-7006A-16	P502	1	Power Unit
16	BH-7512-32	FJ818	1	Power Unit Hose
17*	BH-7502-67	FJ7457-1	2	LF / RR Outer Arm
18	BH-7503-92	FJ7416-2*	4	Inner Arm Kit (includes adapters)
19	BH-7502-57	FJ7453	2	Carriage Weldment
20	BH-7510-03	FJ7360	8	Slider Block (cup style)
	BH-7515-65	FJ5106	2	Shim and Slider Kit (1 carriage)
21	BH-7500-67	FJ7425-6	2	Lower Sheave Shaft Bracket

Item	SVI Part #	OEM #	Req	Description
22	F-HN-0250-20-1000		2	1/4-20 x 1" Hex Capscrew
23	BH-7500-62A	41411	6	Ext. Retaining Ring 5304-75
24	F-LN-0250-20		2	1/4-20 Lock Nut
25	F-CP-187-2000		4	3/16" x 2" Cotter Pin
26	BH-7509-83	FJ576	1	Center Cover Kit
27	BH-7501-24	FJ7495-1	1	Locking Latch Release Cable
28	BH-7500-20	FJ7421	2	Equalizer Cable Assy
29	BH-7502-82	FJ7434	1	Hydraulic Hose
--	BH-7503-50	FJ7522	4	Arm Restraint Assy Complete
32	BH-7503-48	FJ7233-22	4	Clevis Pin for Outer Tube
33	F-CV-375-1250	FJ7359-5	4	Clevis Pin for Inner Bar
34	BH-7503-47	FJ7233-25	4	Arm Restraint Plunger
35	BH-7503-45	FC134-9-10	4	Red Ball
36	BH-7503-46	FC134-9-7	4	Arm Restraint Spring
37/38	BH-7077-02-2	SVI Exclusive	1	doorjammerPRO protection (2) 24"
	BH-7077-02-2S	SVI Exclusive	1	doorjammerPRO protection (2) 12"
39	BH-9701	FF729	1	15" Wide Reach Wheel Spotter
	BH-9702	SVI Exclusive	1	15" Wide Reach Dual Spotter
40	F-FW-0312-USS		4	5/16" Flatwasher
41	BH-7531-21	FC576	4	Hex Capscrew
42	BH-7511-03	FJ7311	2	Hydraulic Cylinder
	BH-7511-11			Hydraulic Cylinder Seal Kit
43	F-CP-125-0750		8	1/8" x 3/4" Cotter Pin
KIT	BH-7504-57	GP1019		Plunger/Spring/Ball KIT

* Custom order by request. Sample may be needed.

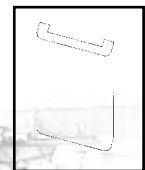


Model SPO98



For all the carriage lock parts see index for "Two Post Carriage Locks"

BH-7077-02-2 doorjammerPRO (2)



Arm Restraint Individual Complete Assembly

SVI Part #	OEM#	Description
BH-7503-50	FJ7522	Arm Restraint Assy
BH-7508-14	FJ7359	Arm Restraint Kit

Item	SVI Part #	OEM #	Req	Description
30/31	BH-7077-02-2	FJ7391-1	1	doorjammerPRO protection (pair)
32	BH-9755-26	FJ671-6	8	Hog Ring
33	BH-9755-22	FJ671-3	4	Adapter Pivot Pin
34	BH-9755-21	FJ671-2	4	Low Step Ductile Iron Adapter
35	BH-9755-20	FJ671-1	4	High Step Ductile Iron Adapter
	BH-9789-98	FJ697	4	Rubber Pad Adapter for Flip-Up
36	BH-9755-22	FJ671-3	4	Adapter Swivel Pin
37	BH-7503-92	FJ7416-2	4	Inner Swing Arm
38*	BH-7502-69	FJ7458-1	2	LF / RR Outer Swing Arm
39*	BH-7502-62	FJ7454	2	Carriage Weldment
40	F-CV-375-1250	FJ7359-5	4	Clevis Pin for Inner Bar
41	F-CP-125-0750		8	1/8" x 3/4" Cotter Pin
42	BH-7503-48	FJ7233-22	4	Clevis Pin for Outer Tube
43	BH-7503-45	FC134-9-10	4	Red Ball
44	BH-7503-46	FC134-9-7	4	Arm Restraint Spring
45	BH-7503-47	FJ7233-25	4	Arm Restraint Plunger
48	BH-7511-03	FJ7311	2	Hydraulic Cylinder
	BH-7511-11			Hydraulic Cylinder Seal Kit
49	BH-7006A-16	P502	1	Power Unit
50	BH-7512-32	FJ818	1	Power Unit Hose
51	BH-7500-62A		6	Ext. Retaining Ring 5304-75
52	BH-7510-03	FJ7360	8	Slider Block (cup style)
	BH-7515-65	FJ5106	2	Shim and Slider Kit (1 carriage)
53	BH-7503-05	FJ7448-2	1	Overhead Limit Crossbar
54	BH-7502-90	FJ7446-5	1	RH Lock Sheave Overhead Bracket
55	BH-7512-20	FJ839	1	Overhead Hydraulic Hose
56*	call for details	FJ7702	1	Right Column
57	BH-7506-35	FJ7443	2	Column Extension (standard)
58	BH-7507-40	FJ7206	4	Line Clip
59	F-MS-0010-24-0437		4	10-24 x 7/16" Machine Screw
60	BH-9701	FF729	1	15" Wide Reach Wheel Spotter
	BH-9702	SVI Exclusive	1	15" Wide Reach Dual Spotter

Call for special length cables for extended height models.

Cable kits including fasteners are also available.

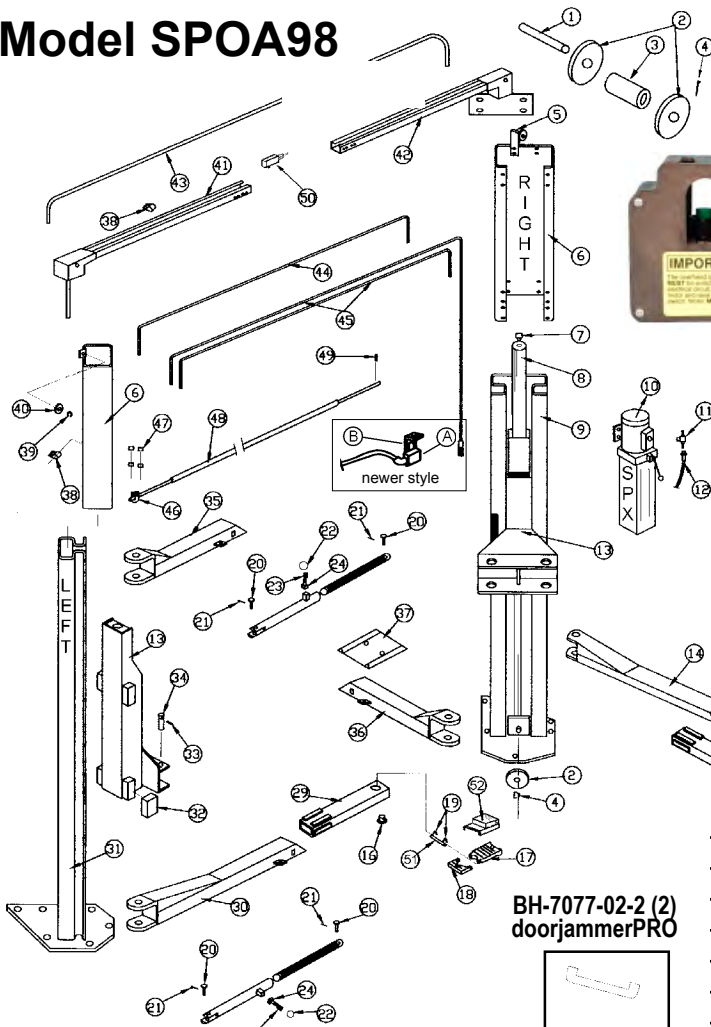
Item	SVI Part #	OEM #	Req	Description
1*	BH-7500-73	FJ7446	1	Right Overhead Crossbeam
2	BH-7501-24	FJ7594-1	1	Locking Latch Release Cable
3*	BH-7500-74	FJ7447	1	Left Overhead Crossbeam
8	BH-7500-68	FJ7444-8	2	Sheave Shaft
9	BH-7500-50		6	Sheave, Steel
	BH-7500-50N	FJ7116-1	6	Sheave, Nylon
10	BH-7500-49B	41388	4	Spacer 1-1/2" x .045
11	BH-7500-62A		6	Ext. Retaining Ring 5304-75
12	BH-7500-23	FJ7450	2	Equalizer Cable
13	BH-7503-04	FJ7448	1	Overhead Limit Switch
14	BH-7503-04B	FJ7448-5	1	Overhead Limit Switch Bracket
16	BH-7506-43	FJ7448-1	2	U-Bolt
17	BH-7502-90	FJ7446-3		LH Lock Sheave Overhead Bracket
18	call for details			Ext. Retaining Ring 5304-37
19	BH-7501-26	FJ7322	2	Lock Latch Sheave
21*	call for details	FJ7701	1	Left Column
22	F-JN-0500-13		4	1/2"-13 Hex Jam Nut
	F-HN-0500-13		4	1/2"-13 Hex Nut
23	BH-7502-60	FJ7453-4	4	Arm Swivel Pin
24	F-CP-187-2000		4	3/16" x 2" Cotter Pin
25	BH-7502-67	FJ7457-1	2	LR / RF Outer Swing Arm
27	BH-7503-92	FJ7416-2	4	Inner Arm Kit (includes adapters)

Page 54

* Custom order by request. Sample may be needed.

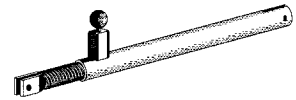


Model SPOA98



Item	SVI Part #	Description
A	BH-7004-19	Switch
B	BH-7503-65	OH Limit Switch In Housing

For all the carriage lock parts see index for "Two Post Carriage Locks"



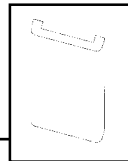
Arm Restraint Individual Complete Assembly

SVI Part #	OEM#	Description
BH-7508-01F	FJ7524	Front Arm Restraint Assy
BH-7508-01R	FJ7523	Rear Arm Restraint Assy
BH-7508-15	FJ7366	Complete Arm Rest. Kit

Cable kits including fasteners are also available.

* Custom order by request. Sample may be needed.

BH-7077-02-2 (2) doorjammerPRO

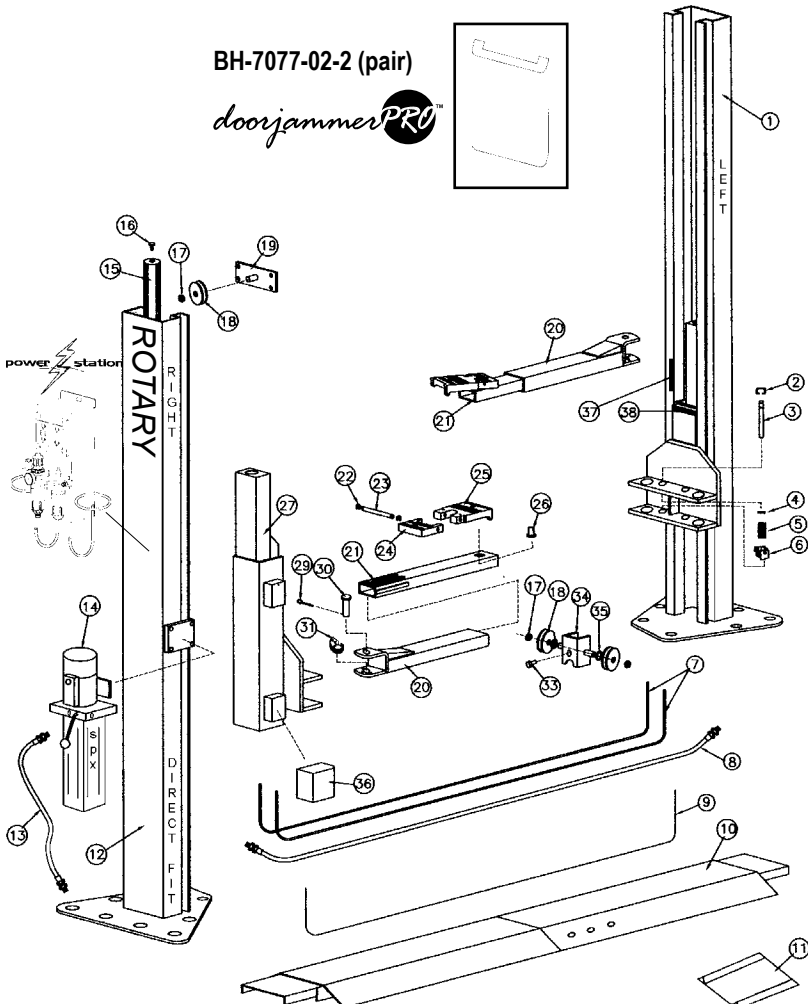


Item	SVI Part #	OEM #	Req	Description
1	BH-7500-68	FJ7444-8	2	Sheave Shaft
2	BH-7500-50	SVI exclusive	6	Sheave, Steel
	BH-7500-50N	FJ7116-1	6	Sheave, Nylon
3	BH-7500-65C	FJ719-10	4	2-7/16" Sheave Spacer
4	F-CP-125-1500			1/8" x 1-1/2" Cotter Pin
5	BH-7502-90	FJ7444-11	1	RH Lock Latch Sheave Bracket
	BH-7502-95	FJ7444-9	1	LH Lock Latch Sheave Bracket
6*	BH-7534-65	FJ7658	2	Standard Column Extension
7	call for details		2	Bleeder Screw for MF cylinders
8	BH-7511-03	FJ7311	2	Hyd Cylinder (BH-7511-11 seal kit)
9*	call for details	FJ7700	1	Right Column
10	BH-7006A-16	P602	1	Power Unit
11	BH-7535-69	FJ7668	1	Branch Tee
12	BH-7512-41	FJ837	1	PU Hose 68" long w/male ends
13*	BH-7534-61	FJ7484	1	Right Carriage Weldment
	BH-7534-60	FJ7483	1	Left Carriage Weldment
14*	BH-7534-75	FJ7494-1	1	Right Rear Outer Swing Arm
15*	BH-7508-74	FJ7493-6	2	Rear Inner Swing Arm
16	BH-9755-25L	FJ79-6	4	Adapter Swivel Pin
17	BH-9755-20	FJ671-1	4	High Step Ductile Iron Adapter
	BH-9789-98	FJ697	4	Rubber Pad Adapter for Flip-Up
18	BH-9755-21	FJ671-2	4	Low Step Ductile Iron Adapter
19	BH-9755-26	FJ671-6	8	Hog Ring Clip
20	BH-7503-48	FJ7233-22	4	Clevis Pin, arm connection
	F-CV-375-1250	FJ7359-5	4	Clevis Pin, carriage connection

Item	SVI Part #	OEM#	Req	Description
21	F-CP-125-0750		8	1/8" x 3/4" Cotter Pin
22	BH-7503-45	FC134-91	4	Red Ball
23	BH-7503-46	FC134-89	4	Arm Restraint Spring
24	BH-7503-47	FJ7233-25	4	Arm Restraint Plunger
29*	BH-7534-68	FJ7491-6	2	Front Inner Swing Arm
--*	BH-7534-69	FJ7491		Left Swing Arm
30*	BH-7534-72	FJ7493-1	1	Left Rear Outer Swing Arm
31*	call for details	FJ7699	1	Left Column
32	BH-7510-03	FJ7360	8	Slider Block (cup style)
	BH-7515-65	FJ5106	2	Shim and Slider Kit (1 carriage)
33	F-CP-187-2000		4	3/16" x 2" Cotter Pin
34	BH-7503-36	FJ7501	4	Arm Swivel Pin
	BH-7503-36FP		4	Arm Swivel Pin (fixes arm sag)
35	BH-7534-67	FJ7491-1	1	Left Front Outer Swivel Arm
36	BH-7534-70	FJ7492-1	1	Right Front Outer Swivel Arm
37	BH-9701	FF729	1	15" Wide Reach Wheel Spotter
	BH-9702		1	15" Wide Reach Dual Spotter
38	BH-7535-70	FJ7669	6	Hose Clip
39	BH-7510-16		2	Ext. Retaining Ring 5304-37
40	BH-7501-26	FJ7322	4	Lock Latch Cable Sheave
41	BH-7502-96	FJ7445-1	1	Left Overhead Crossbeam Assy
42	BH-7502-88	FJ7444-1	1	Right Overhead Crossbeam Assy
43	BH-7501-25	FJ7594-1	1	Lock Latch Cable Assembly
44	BH-7512-20	FJ839	1	Overhead Hose
45	BH-7500-24	FJ7490	2	Equalizer Cable
46	BH-7506-43	FJ7448-1	1	U-Bolt
47	F-HN-0250-20		8	1/4-20 Hex Nut
48	BH-7503-05	FJ7448-2	1	Overhead Limit Crossbar
49	F-CP-125-1000		1	1/8" x 1" Cotter Pin
50	BH-7503-04	FJ7448	1	Overhead Limit Switch
51	BH-9755-22	FJ671-3	4	Adapter Pivot Pin
52	BH-7502-01	FJ697	4	Rubber Pad Adapter Type SPR1
KIT	BH-7504-57	GP1019		Plunger/Spring/Ball KIT

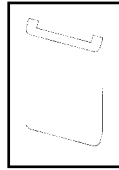


Models SP7 and SP9

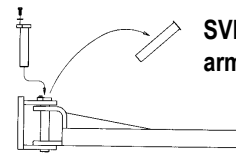
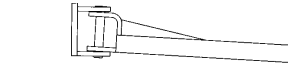


BH-7077-02-2 (pair)

doorjammerPRO



For all the carriage lock parts see index for "Two Post Carriage Locks"



SVI Exclusive sag stopping arm pins for Rotary lifts.

Cable kits including fasteners are also available.



SVI Exclusive Adjustable Arm Restraint Main Gear

SVI has two styles, one that is an exact replacement part, the other has elongated mounting holes that allow for precise adjustment of the main gear. Why? As the lift begins to wear over time, the swing arms begin to slightly sag from normal wear. This condition causes the main gear to be forced forward into the engaging gear. As the fit tightens, additional interference may result in increased wear on both gears and possibly impaired function.

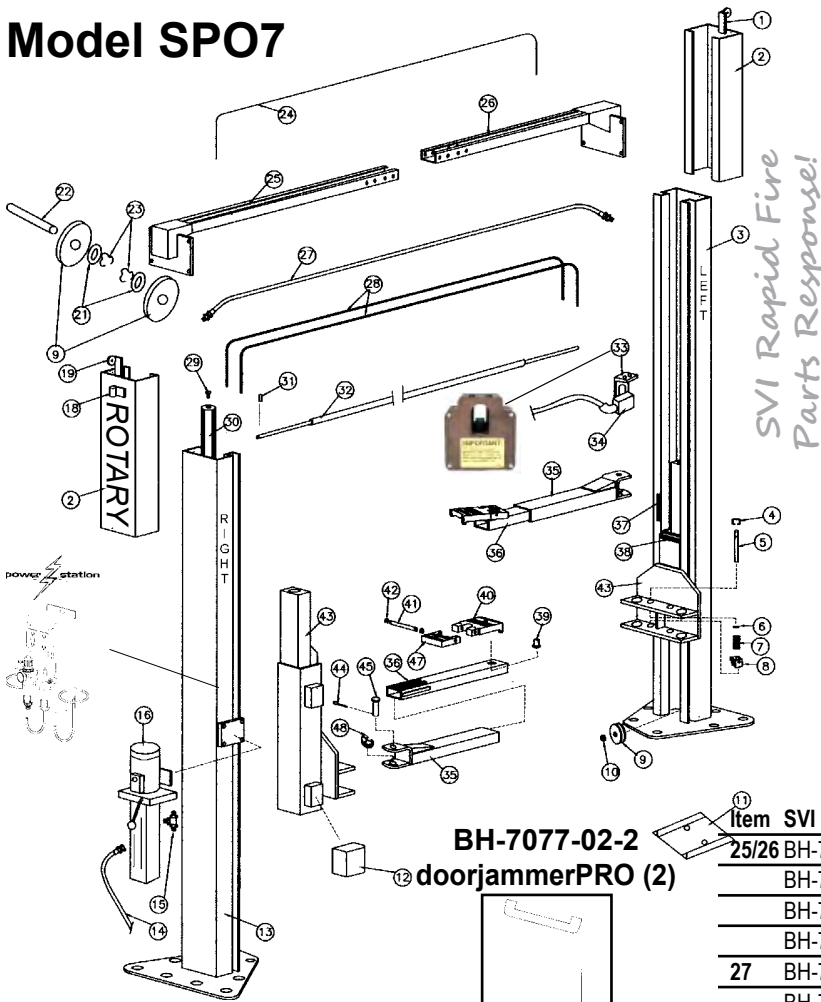
Specify the **BH-7508-16A** to achieve precise mating between the main gear and the engaging gear. SVI is your answer!

Item	SVI Part #	OEM #	Req	Description
1*	call for details	FJ7776	1	Left Column (SP7)
	call for details	FJ7783	1	Left Column (SP9)
2	BH-7508-20	FC5104-6	4	Arm Restraint Release Loop
3	BH-7508-18	FJ7646-1	4	Arm Restraint Pin (SP7)
	BH-7535-57	FJ7656-1	4	Arm Restraint Pin (SP9)
4	BH-7535-47	FJ7646-2	4	Ext. Retaining Ring
5	BH-7508-19	FJ7813-10	4	Arm Restraint Spring (SP7)
	BH-7535-58	FJ7656-2	4	Arm Restraint Spring (SP9)
6	BH-7508-17	FJ7749	4	Arm Restraint Engage Gear
7	BH-7500-21	FJ7422	2	Equalizer Cable (SP7)
	BH-7500-20	FJ7421	2	Equalizer Cable (SP9)
8	BH-7512-08	FJ7356	1	Hydraulic Hose (SP7)
	BH-7502-82	FJ7434	1	Hydraulic Hose (SP9)
9	BH-7501-25	FJ7594-1	1	Lock Latch Release Cable
10	BH-7509-83	FJ576	1	Center Cover Kit
11	BH-9701	FF729	1	15" Wide Reach Wheel Spotter
	BH-9702	SVI Exclusive	1	15" Wide Reach Dual Spotter
12*	call for details	FJ7777	1	Right Column
13	BH-7512-41	FJ837	1	Power Unit Hose
14	BH-7006A-16	P602	1	Power Unit
15	BH-7506-13	FJ7352-1	2	Hydraulic Cylinder
16	call for details			Cylinder Bleeder Screw
17	BH-7500-62A	41411		Ext. Retaining Ring 5304-75
18	BH-7500-50	SVI Exclusive	6	Sheave, Steel
	BH-7500-50N	FJ7116-1	6	Sheave, Nylon
19	BH-7503-74B	FJ7780-1	2	Upper Sheave Holder

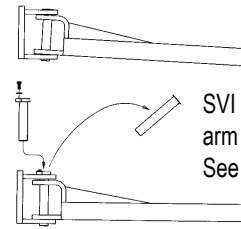
Item	SVI Part #	OEM #	Req	Description
20	BH-7536-04	FJ7763-1	4	Outer Swing Arm (SP7)
	BH-7503-91	FJ7772-1	4	Outer Swing Arm (SP9)
21	BH-7503-92	FJ7416-2	4	Inner Swing Arm
	BH-7503-92C		4	Inner Swing Arm Kit
22	BH-9755-26	FJ671-6	8	Hog Ring Clip
23	BH-9755-22	FJ971-3	4	Adapter Pivot Pin
24	BH-9755-21	FJ671-2	4	Low Step Ductile Iron Adapter
25	BH-9755-20	FJ671-1	4	High Step Ductile Iron Adapter
	BH-9789-98	FJ697	4	Rubber Pad Adapter for Flip-Up
26	BH-9755-25L	FJ79-6	4	Adapter Swivel Pin
27*	call for details	FJ7778	2	Carriage (SP7)
	BH-7536-15	FJ7785	2	Carriage (SP9)
29	F-CP-187-2000	41250	4	3/16" x 2" Cotter Pin
30	BH-7505-14	FJ7838	4	Arm Swivel Pin
	BH-7505-14FP	SVI Exclusive	4	Arm Swivel Pin (fixes arm sag)
31	BH-7508-16A/SA	SVI Exclusive	4	Arm Restraint Gear (Adj. or Super-Adj.)
	BH-7508-16	FJ7750	4	Arm Restraint Gear (not adjustable)
33	F-HC-0250-20-1000		2	1/4-20 x 1 Hex Head Capscrew
34	BH-7500-67	FJ7425-6	2	Lower Sheave Holder
35	BH-7500-49B	41388	4	Spacer 1-1/2" x .045 thick
36	BH-7510-03	FJ7360	8	Slider Block (cup style)
	BH-7515-65	FJ5106	2	Shim and Slider Kit (1 carriage)
37/38	BH-7077-02-2	SVI Exclusive	1	doorjammerPRO pair

* Custom order by request. Sample may be needed.

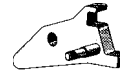
Model SPO7



SVI Rapid Fire Parts Response!



SVI Exclusive sag stopping arm pins for Rotary lifts. See page for more details.



For all the carriage lock parts see index for "Two Post Carriage Locks"

Cable kits including fasteners are also available.

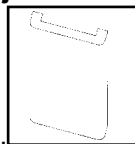
SVI Exclusive Adjustable Arm Restraint Main Gear



SVI has two styles, one that is an exact replacement part, the other has elongated mounting holes that allow for precise adjustment of the main gear. Why? As the lift begins to wear over time, the swing arms begin to slightly sag from normal wear. This condition causes the main gear to be forced forward into the engaging gear. As the fit tightens, additional interference may result in increased wear on both gears and possibly impaired function.

Specify the BH-7508-16A to achieve precise mating between the main gear and the engaging gear. SVI is your answer!

BH-7077-02-2 doorjammerPRO (2)



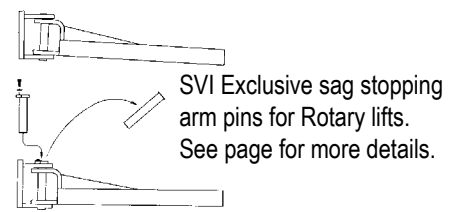
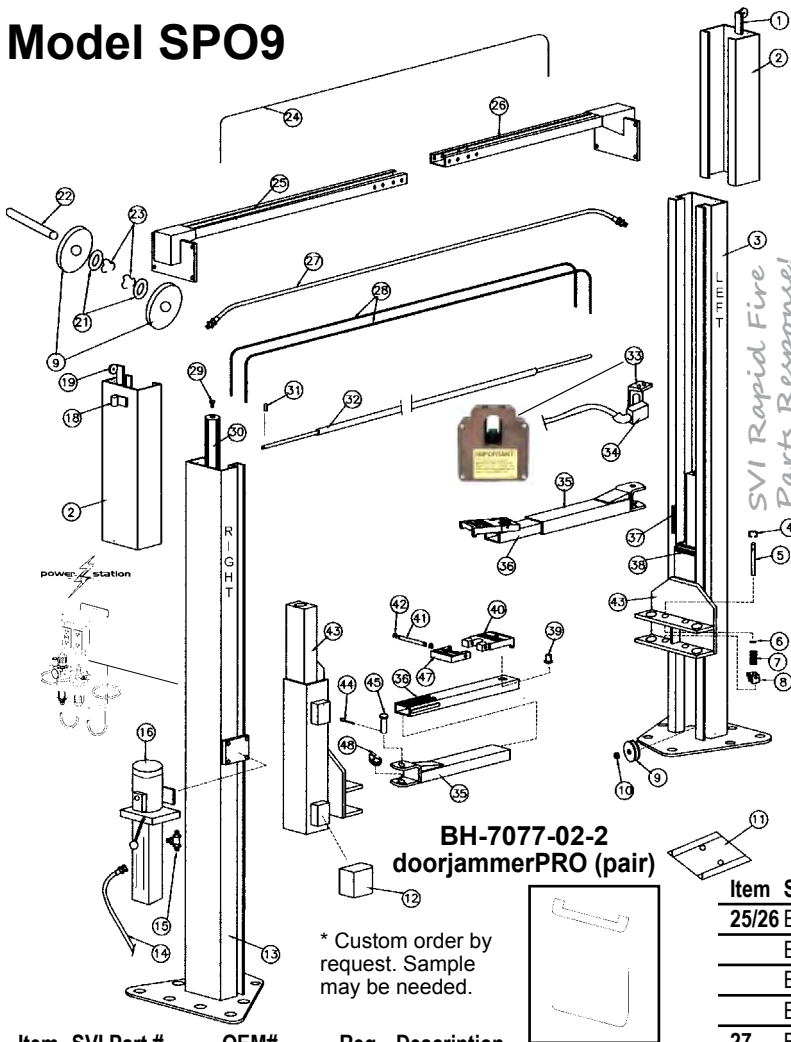
Item	SVI Part #	OEM#	Req	Description
1	BH-7502-90	FJ7446-3	1	Left Lock Sheave/Bracket Assy
2*	call for details	FJ7657 (SPO7)	1	Column Extension
3*	call for details	FJ7760	1	Left Column
KIT	BH-7508-21	FJ7888SPOA7		Arm Restraint Kit (for 1 arm)
4	BH-7508-20	FJ7985-1	4	Arm Restraint Release Loop
5	BH-7508-18	FJ7646-1	4	Arm Restraint Pin
6	BH-7535-47	FJ7646-2	4	Ext. Retaining Ring
7	BH-7508-19	FJ7813-10	4	Arm Restraint Spring
8	BH-7508-17	FJ7749	4	Arm Restraint Engage Gear
9	BH-7500-50	SVI Exclusive	6	Sheave, steel
	BH-7500-50N	FJ7116-1	6	Sheave, nylon
10	BH-7500-62A			Ext. Retaining Ring 5304-75
11	BH-9701	FF729	1	15" Wide Reach Wheel Spotter
	BH-9702	SVI Exclusive	1	15" Wide Reach Dual Spotter
12	BH-7510-03	FJ7360	8	Slider Block (cup style)
	BH-7515-65	FJ5106	2	Shim and Slider Kit (1 carriage)
13*	call for details	FJ7761	1	Right Column
14	BH-7512-41	FJ837	1	Power Unit Hose
15	BH-7535-69	FJ7668	1	Tee
16	BH-7006-01		1	Power Unit
18	BH-7507-40	FJ7206		Holder
19	BH-7502-90	FJ7446-5	1	Right Lock Sheave/Bracket Assy
21	BH-7500-49B	41388	4	Spacer 1-1/2" x .045 thick
22	BH-7500-68	FJ7444-8	2	Sheave Shaft
23	BH-7500-62A	41411		Ext. Retaining Ring 5304-75
24	BH-7501-24	FJ7594-1	1	Lock Latch Release Cable

Item	SVI Part #	OEM#	Req	Description
25/26	BH-7542-62	N444BL	1	L/R OH Assembly for 10" Col. (blue)
	BH-7528-88	N448BL	1	L/R OH Assembly for 12" Col. (blue)
	BH-7542-62R	N444RD	1	L/R OH Assembly for 10" Col. (red)
	BH-7528-89	N448RD	1	L/R OH Assembly for 12" Col. (red)
27	BH-7512-19	FJ838	1	Overhead Hydraulic Hose (SPO7)
	BH-7512-22	FJ840 / FJ841	1	OH Hydraulic Hose (EH1/EH2)
28	BH-7500-23	FJ7450	2	Equalizer Cable (SPO7)
	BH-7534-97	FJ7547	2	Equalizer Cable (SPO7 EH1)
	BH-7500-28	FJ7528	2	Equalizer Cable (SPO7 EH2)
29	call for details		2	Bleeder Massey Ferguson Cyl.
30	BH-7506-13	FJ7352-1	2	Hydraulic Cylinder
31	call for details			Spacer
32	BH-7508-34	FJ7613-2	1	Overhead Limit Bar
33	BH-7503-65	FJ7613-1	1	OH Limit Switch In Housing
34	BH-7004-19	P461-2	1	Microswitch
35*	BH-7536-04	FJ7763-1	4	Outer Swing Arm
36	BH-7503-92	FJ7416-2	4	Inner Swing Arm (KIT: BH-7503-92C)
37/38	BH-7077-02-2	SVI Exclusive	2	doorjammerPRO protection (pair)
	BH-7077-02-2S	SVI Exclusive	2	doorjammerPRO 12" (pair)
39	BH-9755-25L	FJ79-6	4	Adapter Swivel Pin
40	BH-9755-20	FJ671-1	4	High Step Ductile Iron Adapter
	BH-9789-98	FJ697	4	Rubber Pad Adapter for Flip-Up
41	BH-9755-22	FJ671-3	4	Adapter Pivot Pin
42	BH-9755-26	FJ671-6	8	Hog Ring Clip
43*	BH-7536-03	FJ7762	2	Carriage
44	F-CP-187-2000	41250	4	3/16" x 2" Cotter Pin
45	BH-7505-14	FJ7838	4	Arm Swivel Pin
	BH-7505-14FP	SVI Exclusive	4	Arm Swivel Pin (fixes arm sag) 8.56"
	BH-7502-60FP	SVI Exclusive	4	Arm Swivel Pin (fixes arm sag) 6"
47	BH-9755-21	FJ671-2	4	Low Step Ductile Iron Adapter
48	BH-7508-16A/SA	SVI Exclusive	4	Arm Restraint Gear (Adj. or Super-Adj.)
	BH-7508-16	FJ7750	4	Arm Restraint Gear (not adjustable)
	BH-7500-47	FJ5173		Sheave & Pin KIT

* Custom order by request. Sample may be needed.



Model SPO9



For all the carriage lock parts see index for "Two Post Carriage Locks"
Cable kits including fasteners are also available.

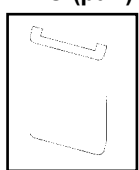


SVI Exclusive Adjustable Arm Restraint Main Gear

SVI has two styles, one that is an exact replacement part, the other has elongated mounting holes that allow for precise adjustment of the main gear.
 Why? As the lift begins to wear over time, the swing arms begin to slightly sag from normal wear. This condition causes the main gear to be forced forward into the engaging gear. As the fit tightens, additional interference may result in increased wear on both gears and possibly impaired function.
 Specify the **BH-7508-16A** to achieve precise mating between the main gear and the engaging gear. SVI is your answer!

BH-7077-02-2 doorjammerPRO (pair)

* Custom order by request. Sample may be needed.



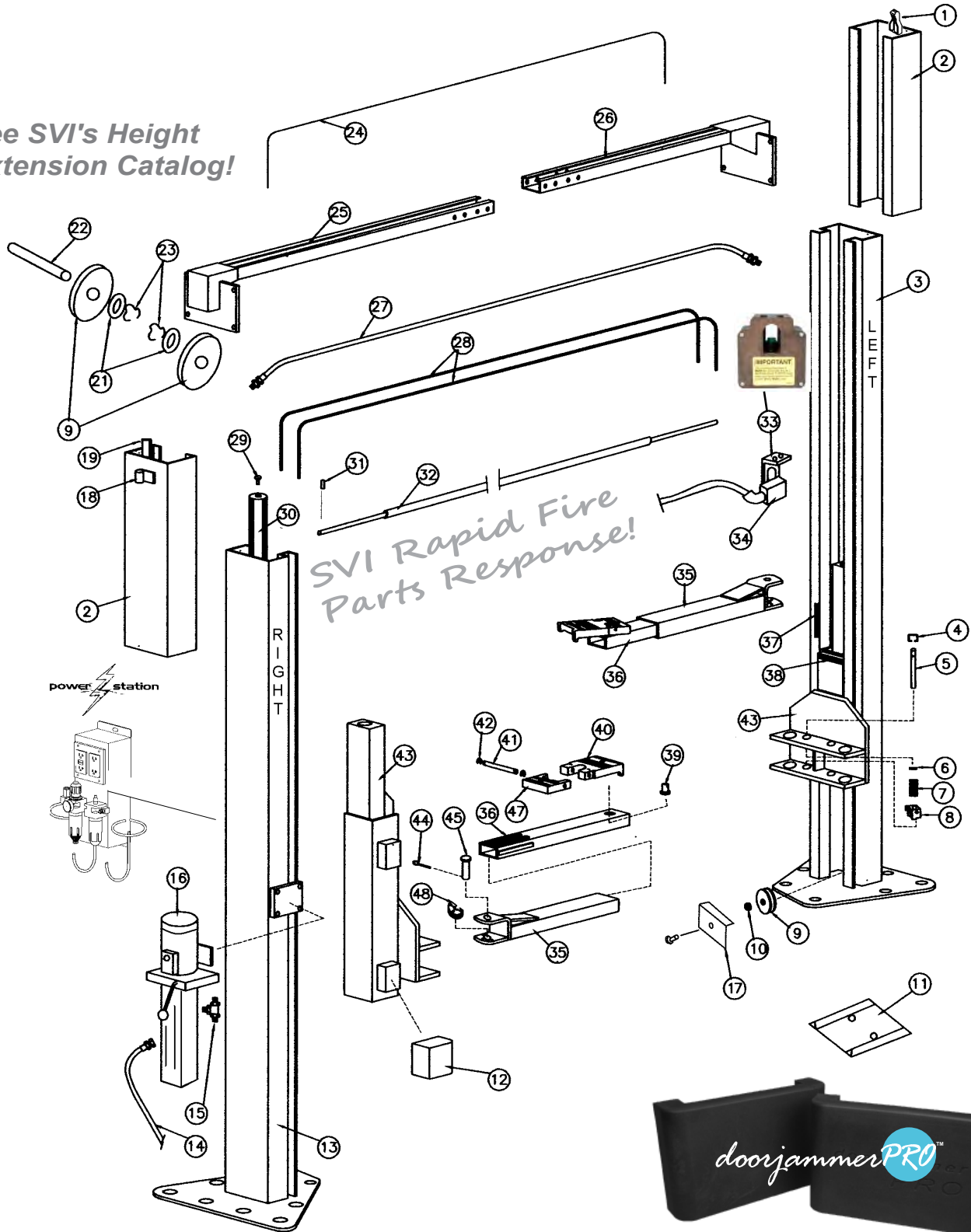
Item	SVI Part #	OEM#	Req	Description
1	BH-7502-90	FJ7446-3	1	Left Lock Sheave/Bracket Assy
2*	call for details	FJ7657 (SPO9)	1	Column Extension
3*	call for details	N11-1	1	Left Column
KIT	BH-7508-22/22A	FJ7888		Arm Restraint Kit (for 1 arm)
4	BH-7508-20	FJ7985-1	4	Arm Restraint Release Loop
5	BH-7528-07	N121-1	4	Arm Restraint Pin
6	BH-7528-06	N119-3	4	Ext. Retaining Ring
7	BH-7535-58	FJ7656-2	4	Arm Restraint Spring
8	BH-7508-17	FJ7749	4	Arm Restraint Engage Gear
9	BH-7500-50	SVI Exclusive	6	Sheave, steel
	BH-7500-50N	FJ7116-1	6	Sheave, nylon
10	BH-7500-62A	41411		Ext. Retaining Ring 5304-75
11	BH-9701	FF729	1	15" Wide Reach Wheel Spotter
	BH-9702	SVI Exclusive	1	15" Wide Reach Dual Spotter
12	BH-7510-03	FJ7360	8	Slider Block (cup style)
	BH-7515-65	FJ5106	2	Shim and Slider Kit (1 carriage)
13*	call for details	N12-1	1	Right Column
14	BH-7512-41	FJ837	1	Power Unit Hose
15	BH-7535-69	FJ7668	1	Tee
16	BH-7006-01		1	Power Unit
18	BH-7507-40	FJ7206		Holder
19	BH-7502-90	FJ7446-5	1	Right Lock Sheave/Bracket Assy
21	BH-7500-49B	41388	4	Spacer 1-1/2" x .045 thick
22	BH-7500-68	FJ7444-8	2	Sheave Shaft
23	BH-7500-62A	41411		Ext. Retaining Ring 5304-75
24	BH-7501-24	FJ7595-1	1	Lock Latch Release Cable

Item	SVI Part #	OEM#	Req	Description
25/26	BH-7542-62	N444BL	1	L/R OH Assembly for 10" Col. (blue)
	BH-7528-88	N448BL	1	L/R OH Assembly for 12" Col. (blue)
	BH-7542-62R	N444RD	1	L/R OH Assembly for 10" Col. (red)
	BH-7528-89	N448RD	1	L/R OH Assembly for 12" Col. (red)
27	BH-7512-20	FJ839	1	Overhead Hydraulic Hose
	BH-7512-23/24	FJ842 / FJ843	1	OH Hydraulic Hose (EH1/EH2)
28	BH-7500-23	FJ7450	2	Equalizer Cable (SPO9)
	BH-7534-97	FJ7547	2	Equalizer Cable (SPO9 EH1)
	BH-7500-28	FJ7528	2	Equalizer Cable (SPO9 EH2)
29	call for details		2	Bleeder Massey Ferguson Cyl.
30	BH-7506-13	FJ7352-1	2	Hydraulic Cylinder
31	BH-7503-29	FJ7871		Spacer
32	BH-7508-34	FJ7613-2	1	Overhead Limit Bar
33	BH-7503-65	FJ7613-1	1	OH Limit Switch In Housing
34	BH-7004-19	P461-2	1	Microswitch
35	BH-7503-91	FJ7772-1	4	Outer Swing Arm
36	BH-7503-92	FJ7416-2	4	Inner Swing Arm (KIT: BH-7503-92C)
37/38	BH-7077-02-2	SVI Exclusive	1	doorjammerPRO protection (pair)
39	BH-9755-25L	FJ79-6	4	Adapter Swivel Pin
40	BH-9755-20	FJ671-1	4	High Step Ductile Iron Adapter
	BH-9789-98	FJ697	4	Rubber Pad Adapter for Flip-Up
41	BH-9755-22	FJ671-3	4	Adapter Pivot Pin
42	BH-9755-26	FJ671-6	8	Hog Ring Clip
43*	BH-7536-03	FJ7762	2	Carriage
44	F-CP-187-2000	41250	4	3/16" x 2" Cotter Pin
45	BH-7505-14	FJ7838	4	Arm Swivel Pin
	BH-7505-14FP	SVI Exclusive	4	Arm Swivel Pin (fixes arm sag)
47	BH-9755-21	FJ671-2	4	Low Step Ductile Iron Adapter
48	BH-7508-16A/SA	SVI Exclusive	4	Arm Restraint Gear (Adj. or Super-Adj.)
	BH-7508-16	FJ7750	4	Arm Restraint Gear (not adjustable)
--	BH-7500-47	FJ5173		Sheave & Pin KIT

Models SPO9 / SPOA7 / SPOA9 (including EH-1, EH-2 and EH-4)

200 Series

See SVI's Height Extension Catalog!



SVI Rapid Fire Parts Response!



doorjammerPRO Protection
BH-7077-02-2 or BH-7077-02-2S

Page

59



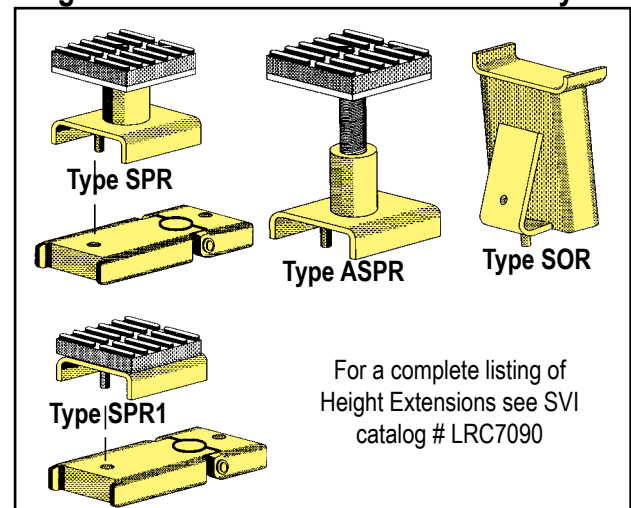
Models SPO9 / SPOA7 / SPOA9 (including EH-1, EH-2 and EH-4)

200 Series

Item	SVI Part #	OEM#	Req	Description
1	BH-7528-94	N69	2	Cable Guide
2*	call for details	N45	2	Column Ext. (SPOA7 / SPO9)
	call for details	N410	2	Column Ext. (SPOA9)
	call for details	N46	2	Column Ext. (EH-1)
	call for details	N47	2	Column Ext. (EH-2)
	call for details	N49	2	Column Ext. (SPO9EH-4)
3*	call for details	N719	1	Left Column
KIT	BH-7508-22/22A	FJ7888		Arm Restraint Kit (for 1 arm)
4	BH-7508-20	FJ7985-1	4	Arm Restraint Release Loop
5	BH-7528-07	N121-1	4	Arm Restraint Pin
6	BH-7528-06	N119-3	4	Ext. Retaining Ring
7	BH-7535-58	FJ7656-2	4	Arm Restraint Spring
8	BH-7508-17	FJ7749	4	Arm Restraint Engage Gear
9	BH-7500-50	SVI Exclusive	6	Sheave, steel
	BH-7500-50N	FJ7116-1	6	Sheave, nylon
10	BH-7500-62A	41411		Ext. Retaining Ring 5304-75
11	BH-9701	FF729	1	15" Wide Reach Wheel Spotter
	BH-9702	SVI Exclusive	1	15" Wide Reach Dual Spotter
12	BH-7510-03	FJ7360	8	Slider Block (cup style)
	BH-7515-65	FJ5106	2	Shim and Slider Kit (1 carriage)
13*	call for details	N729	1	Right Column
14	BH-7512-41	FJ837	1	Power Unit Hose
15	BH-7535-69	FJ7668	1	Tee
16	BH-7006-01		1	Power Unit
17	BH-7502-33	N119-1		Sheave Cover
18	BH-7507-40	FJ7206		Holder
21	BH-7500-49B	41388	4	Spacer 1-1/2" x .045 thick
22	BH-7500-68	FJ7444-8	2	Sheave Shaft
23	BH-7500-62A	41411		Ext. Retaining Ring 5304-75
24	BH-7501-24	FJ7595-1	1	Lock Latch Release Cable
25/26	BH-7542-62	N444BL	1	L/R OH Assembly for 10" Col. (blue)
	BH-7528-88	N448BL	1	L/R OH Assembly for 12" Col. (blue)
	BH-7542-62R	N444RD	1	L/R OH Assembly for 10" Col. (red)
	BH-7528-89	N448RD	1	L/R OH Assembly for 12" Col. (red)
27	BH-7512-19	FJ838	1	Overhead Hydraulic Hose (SPOA7)
	BH-7512-21	FJ840	1	OH Hyd. Hose (SPOA7EH1)
	BH-7512-22	FJ841	1	OH Hyd. Hose (SPOA7EH2)
	BH-7512-20	FJ839	1	OH Hyd. Hose (SPOA9/SPO9)
	BH-7512-23	FJ842	1	OH Hyd. Hose (SPOA9/SPO9-EH1)
	BH-7512-24	FJ843	1	OH Hyd. Hose (SPOA9/SPO9-EH2)
	BH-7512-26	FJ845	1	OH Hyd. Hose (SPO9EH-4)
28	BH-7500-22	FJ7449	2	Equalizer Cable (SPOA7)
	BH-7534-95	FJ7545	2	Equalizer Cable (SPOA7EH-1)
	BH-7500-46	FJ7546	2	Equalizer Cable (SPOA7EH-2)
	BH-7500-41	N33	2	Equalizer Cable (SPOA9)
	BH-7528-74	N34	2	Equalizer Cable (SPOA9EH-1)
	BH-7528-75	N35	2	Equalizer Cable (SPOA9EH-2)
	BH-7500-23	FJ7450	2	Equalizer Cable (SPO9)
	BH-7534-97	FJ7547	2	Equalizer Cable (SPO9EH-1)
	BH-7500-28	FJ7528	2	Equalizer Cable (SPO9EH-2)
	BH-7500-29	FJ7601	2	Equalizer Cable (SPO9EH-4)
29	call for details		2	Bleeder (specify mfg.)
30	BH-7508-53	FJ7664	2	Hydraulic Cylinder
31	BH-7503-29	FJ7871		Spacer

Item	SVI Part #	OEM#	Req	Description
32	BH-7508-34	FJ7613-2	1	Overhead Limit Bar
33	BH-7503-65	FJ7613-1	1	OH Limit Switch In Housing
34	BH-7004-19	P461-2	1	Microswitch
35/36*	BH-7528-42	N239	2	Rear Arm (SPOA7)
	BH-7528-38	N238	2	Rear Arm (SPOA9)
	BH-7528-47	N241	2	Rear Arm (SPO9)
	BH-7528-44	N240	2	Front Arm (SPOA7)
	BH-7528-36	N237	2	Front Arm (SPOA9)
	BH-7528-47	N241-1	2	Front Arm (SPO9)
37/38	BH-7077-02-2	SVI Exclusive	1	doorjammerPRO protection 24" (2)
	BH-7077-02-2S	SVI Exclusive	1	doorjammerPRO protection 12" (2)
39	BH-9755-25L	FJ79-6	4	Adapter Swivel Pin
40	BH-9755-20	FJ671-1	4	High Step Ductile Iron Adapter
	BH-9789-98	FJ697	4	Rubber Pad Adapter for Flip-Up
41	BH-9755-22	FJ671-3	4	Adapter Pivot Pin
42	BH-9755-26	FJ671-6	8	Hog Ring Clip
43*	BH-7537-55	N89	2	Carriage
44	F-CP-187-2000	41250	4	3/16" x 2" Cotter Pin
45	BH-7505-14	FJ7838	4	Arm Swivel Pin
	BH-7505-14FP	SVI Exclusive	4	Arm Swivel Pin (fixes arm sag)
47	BH-9755-21	FJ671-2	4	Low Step Ductile Iron Adapter
48	BH-7508-16A/SA	SVI Exclusive	4	Arm Restraint Gear (Adj. or Super-Adj.)
	BH-7508-16	FJ7750	4	Arm Restraint Gear (not adjustable)
--	BH-7075-03	FJ7380		Anchor Bolts
--	BH-7500-47	FJ5173		Sheave & Pin KIT

Height Extensions for use on most Rotary lifts



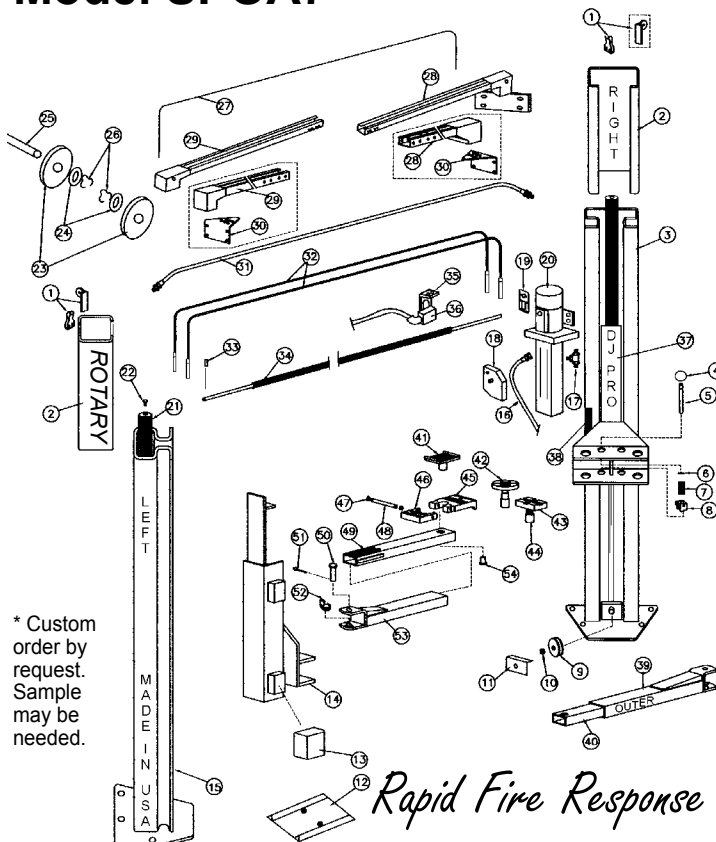
For a complete listing of Height Extensions see SVI catalog # LRC7090



* Custom order by request. Sample may be needed.

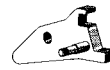


Model SPOA7



This model has enjoyed a long run of popularity and has been revised slightly over the years. Please do not hesitate to call for assistance in identifying the proper parts for the version you are servicing.

Cylinder seal kits for the OE# N342 hydraulic cylinder once used on this model are available as well as all other cylinder seal kits.



For all the carriage lock parts see index for "Two Post Carriage Locks"

Item	SVI Part #	OEM#	Req	Description
1	BH-7502-90	FJ7445-6	1	Left Lock Sheave/Bracket Assy
	BH-7502-90	FJ7444-14	1	Right Lock Sheave/Bracket Assy
	BH-7501-26	FJ7322	2	Lock Latch Cable Sheave
	BH-7528-94	N69	2	Nylon Lock Cable Guide
2*	BH-7545-00	N45	2	Column Extension
3*	call for details	N74	1	Right Column
4	BH-7508-20	FJ7985-1	4	Arm Restraint Release Loop
5	BH-7508-18	FJ7646-1	4	Arm Restraint Pin (SPOA7)
	BH-7528-07	N121-1	4	Arm Restraint Pin (SPOA7-100 up)
6	BH-7528-06	N119-3	4	Ext. Retaining Ring
7	BH-7535-58	FJ7656-2	4	Arm Restraint Spring
8	BH-7508-17	FJ7749	4	Arm Restraint Engage Gear
9	BH-7500-50	SVI Exclusive	6	Sheave, steel
	BH-7500-50N	FJ7116-1	6	Sheave, nylon
10	BH-7500-62A	41411		Ext. Retaining Ring 5304-75
11	BH-7502-33	N119-1	2	Debris Shield / Sheave Cover
12	BH-9701	FF729	1	15" Wide Reach Wheel Spotter
	BH-9702	SVI Exclusive	1	15" Wide Reach Dual Spotter
13	BH-7510-03	FJ7360	8	Slider Block (cup style)
	BH-7515-65	FJ5106	2	Shim and Slider Kit (1 carriage)
14*	BH-7537-50	N82	1	Left Carriage
	BH-7537-51	N83	1	Right Carriage
15*	call for details	N73	1	Left Column
16	BH-7512-41	FJ837	1	Power Unit Hose
17	BH-7535-69	FJ7668	1	Tee
18	call for details		1	Adapter Plate (not for SPX)
19	call for details		1	Control Box (specify Ø not SPX)
20	call for options		1	Power Unit (call to discuss versions)
21	BH-7508-53	FJ7664	1	Hydraulic Cylinder (older models)
	BH-7545-15	N380	1	Hydraulic Cylinder (newer models)

Item	SVI Part #	OEM#	Req	Description
22	call for details		2	Bleeder Screw
23	BH-7500-50	SVI Exclusive	6	Sheave, steel
	BH-7500-50N	FJ7116-1	6	Sheave, nylon
24	BH-7500-49B	41388	4	Spacer 1-1/2" x .045 thick
25	BH-7500-68	FJ7444-8	2	Sheave Shaft
26	BH-7500-62A	41411		Ext. Retaining Ring 5304-75
27	BH-7501-24	FJ7595-1	1	Lock Latch Release Cable
28/29	BH-7542-62	N444BL	1	L/R OH Assembly for 10" Col. (blue)
	BH-7528-88	N448BL	1	L/R OH Assembly for 12" Col. (blue)
	BH-7542-62R	N444RD	1	L/R OH Assembly for 10" Col. (red)
	BH-7528-89	N448RD	1	L/R OH Assembly for 12" Col. (red)
30	BH-7545-07	N439	2	Mounting Bracket (newer models)
31	BH-7512-19	FJ838	1	Overhead Hydraulic Hose
	BH-7512-21	FJ840	1	Overhead Hydraulic Hose (EH-1)
	BH-7512-22	FJ841	1	Overhead Hydraulic Hose (EH-2)
32	BH-7500-22	FJ7449	2	Equalizer Cable
	BH-7534-95	FJ7545	2	Equalizer Cable (EH-1)
	BH-7534-96	FJ7546	2	Equalizer Cable (EH-2)
33	BH-7503-29	FJ7871		Spacer
34	BH-7508-34	FJ7613-2	1	Overhead Limit Bar
35	BH-7503-65	FJ7613-1	1	OH Limit Switch In Housing (older models)
	BH-7503-65	N413	1	Limit Switch Assembly (newer)
36	BH-7004-19	P461-2	1	Microswitch (older models)
	BH-7538-54	N413-1	1	Microswitch (newer models)
37	BH-7077-02-2	SVI Exclusive	1	doorjammerPRO protection (pair)
	BH-7077-02-2S	SVI Exclusive	1	doorjammerPRO protection 12" (2)
39*	BH-7508-45	FJ7649-1	2	Outer Rear Swing Arm
	BH-7528-39	N239-1	2	Outer Rear Swing Arm
40*	BH-7503-97	FJ7150-2	2	Inner Rear Swing Arm Kit
	BH-7528-40	N239-2	2	Inner Rear Swing Arm only (newer)
	BH-7545-36	N2101-1	2	Inner Rear Swing Arm Kit (newer)
41	BH-7536-96	FJ6182	4	Rubber Pad Adapter Base
	BH-7536-92P	FJ6158-4	4	Rubber Pad only
42	BH-7536-96	FJ6185	4	Spin-up Adapter with Pad
43	BH-7508-61	FJ7735-2	4	Rectangular Adapter Pad - Yellow
44	BH-7500-94	FJ6154	4	Rectangular Pad Adapter
45	BH-9755-20	FJ671-1	4	High Step Ductile Iron Adapter
	BH-9789-98	FJ697	4	Rubber Pad Adapter for Flip-Up
46	BH-9755-21	FJ671-2	4	Low Step Ductile Iron Adapter
47	BH-9755-22	FJ671-3	4	Adapter Pivot Pin
48	BH-9755-26	FJ671-6	8	Hog Ring Clip
49*	BH-7503-85	FJ7256-2	2	Inner Front Swing Arm
	BH-7545-37	N2100-1	2	Inner Front Swing Arm Kit
50	BH-7505-15	FJ7834	4	Arm Swivel Pin 7" (older version)
	BH-7505-14	FJ7838	4	Arm Swivel Pin 8" (newer version)
51	F-CP-187-2000	41250	4	3/16" x 2" Cotter Pin
52	BH-7508-16A/SA	SVI Exclusive	4	Arm Restraint Gear (Adj. or Super-Adj.)
	BH-7508-16	FJ7750	4	Arm Restraint Gear (not adjustable)
53*	BH-7508-44	FJ7647-1	1	Front Left Outer Swing Arm
	BH-7508-46	FJ7648-1	1	Front Right Outer Swing Arm
	BH-7528-43	N240-1	2	Front Outer Swing Arm (newer)
54	BH-9755-25L	FJ79-6	4	Adapter Swivel Pin
KIT	BH-7508-22 / 22A	FJ7888		Arm Restraint Kit (for 1 arm)
--	BH-7500-47	FJ5173		Sheave & Pin KIT



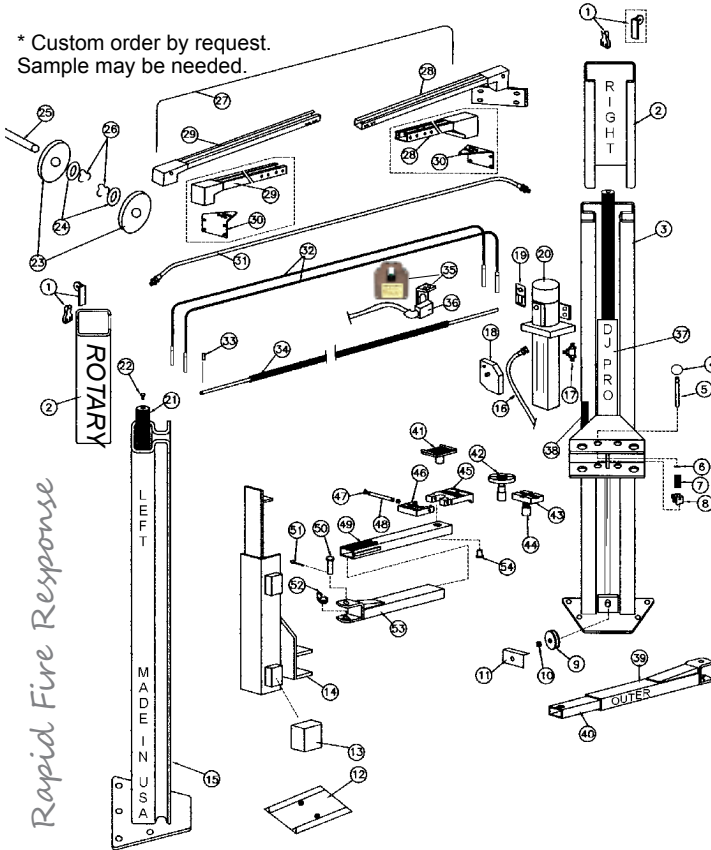
This model has enjoyed a long run of popularity and has been revised slightly over the years. Please do not hesitate to call for assistance in identifying the proper parts for the version you are servicing.

Model SPOA9



For all the carriage lock parts see index for "Two Post Carriage Locks"

* Custom order by request. Sample may be needed.



Rapid Fire Response

Cylinder seal kits for the OE# N342 hydraulic cylinder once used on this model are available as well as all other cylinder seal kits.

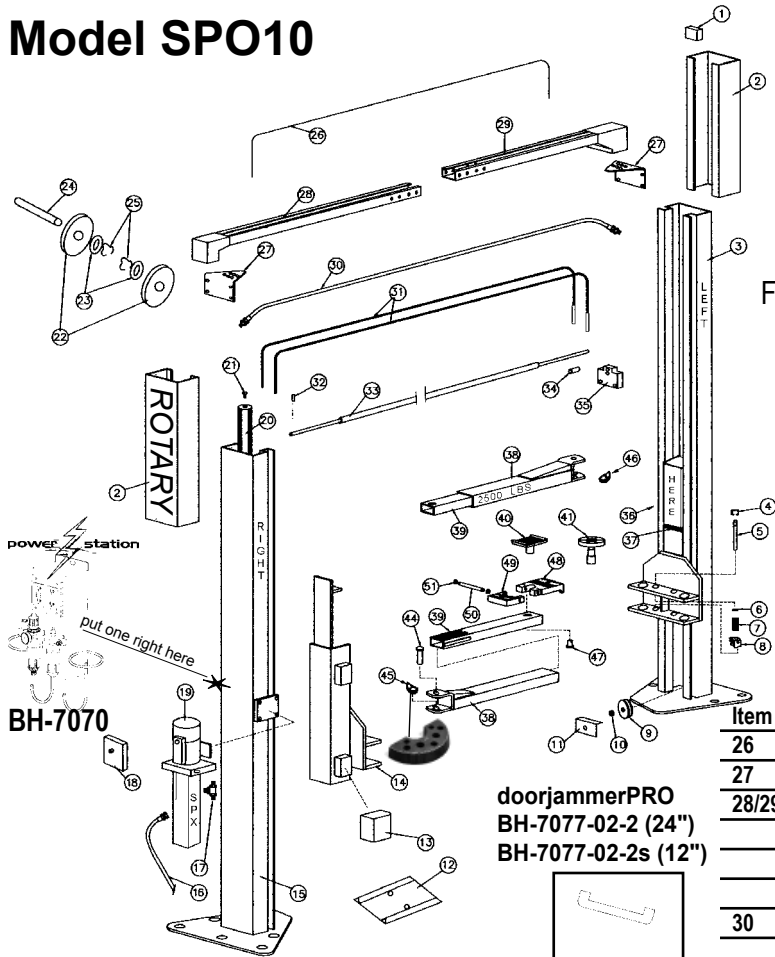
Item	SVI Part #	OEM#	Req	Description
22	call for details		2	Bleeder Screw
23	BH-7500-50	SVI Exclusive	6	Sheave, steel
	BH-7500-50N	FJ7116-1	6	Sheave, nylon
24	BH-7500-49B	41388	4	Spacer 1-1/2" x .045 thick
25	BH-7500-68	FJ7444-8	2	Sheave Shaft
26	BH-7500-62A	41411		Ext. Retaining Ring 5304-75
27	BH-7501-24	FJ7595-1	1	Lock Latch Release Cable
28/29	BH-7542-62	N444BL	1	L/R OH Assembly for 10" Col. (blue)
	BH-7528-88	N448BL	1	L/R OH Assembly for 12" Col. (blue)
	BH-7542-62R	N444RD	1	L/R OH Assembly for 10" Col. (red)
	BH-7528-89	N448RD	1	L/R OH Assembly for 12" Col. (red)
30	BH-7545-07	N439	2	Mounting Bracket (newer models)
31	BH-7512-20	FJ839	1	Overhead Hydraulic Hose
	BH-7512-23	FJ842	1	Overhead Hydraulic Hose (EH-1)
	BH-7512-24	FJ843	1	Overhead Hydraulic Hose (EH-2)
32	BH-7500-33	FJ7840	2	Eq. Cable 29' 2-3/4" (Pre -100 Series)
	BH-7500-34	FJ7841	2	Eq. Cable (EH-1) 31' 2-3/4" (Pre -100 Series)
	BH-7500-35	FJ7842	2	Eq. Cable (EH-2) 33' 2-3/4" (Pre -100 Series)
	BH-7500-41	N33	2	Eq. Cable 30' 2-1/2" (100 Ser. & Up)
	BH-7528-74	N34	2	Eq. Cable (EH-1) 32' 2-3/4" (100 Ser. & Up)
	BH-7528-75	N35	2	Eq. Cable (EH-2) 34' 2-3/4" (100 Ser. & Up)
33	BH-7503-29	FJ7871		Spacer
34	BH-7508-34	FJ7613-2	1	Overhead Limit Bar
35	BH-7503-08	FJ7613-1	1	OH Limit Switch In Housing (older models)
	BH-7503-65	N413	1	Limit Switch Assembly (newer)
36	BH-7004-19	P461-2	1	Microswitch (older models)
	BH-7538-54	N413-1	1	Microswitch (newer models)
37	BH-7077-02-2	SVI Exclusive	1	doorjammerPRO protection 24" (2)
	BH-7077-02-2S	SVI Exclusive	1	doorjammerPRO protection 12" (2)
39*	BH-7508-54	FJ7662-1	2	Outer Rear Swing Arm (older)
--	BH-7528-38	N238	2	Right Rear Swing Arm w/Flip-Up
40	BH-7508-74	FJ7493-6	2	Inner Rear Swing Arm
	BH-7545-34	N2102-1	2	Inner Rear Swing Arm Kit
41	BH-7536-92P	FJ6158-4	4	Rubber Pad only
42	BH-7536-96	FJ6185	4	Spin-up Adapter w/Pad
	BH-7536-96	FJ6182	4	Spin-up Adapter w/Pad
43	BH-7508-61	FJ7735-2	4	Rectangular Adapter Pad - Yellow
44	BH-7500-94	FJ6154	4	Rectangular Pad Adapter
45	BH-9755-20	FJ671-1	4	High Step Ductile Iron Adapter
	BH-9789-98	FJ697	4	Rubber Pad Adapter for Flip-Up
46	BH-9755-21	FJ671-2	4	Low Step Ductile Iron Adapter
47	BH-9755-22	FJ671-3	4	Adapter Pivot Pin
48	BH-9755-26	FJ671-6	8	Hog Ring Clip
49	BH-7534-68	FJ7491-6	2	Inner Front Swing Arm
	BH-7545-35	N2103-1	2	Inner Front Swing Arm Kit
50	BH-7505-14	FJ7838	4	Arm Swivel Pin 8"
	BH-7505-14FP	FJ7838x	4	Arm Swivel Pin 8.56", Fixes Arm Sag
51	F-CP-187-2000	41250	4	3/16" x 2" Cotter Pin
52	BH-7508-16A/SA	SVI Exclusive	4	Arm Restraint Gear (Adj. or Super-Adj.)
	BH-7508-16	FJ7750	4	Arm Restraint Gear (not adjustable)
53	BH-7535-63	FJ7661-1	1	Front Left Outer Swing Arm
	BH-7508-51	FJ7660-1	1	Front Right Outer Swing Arm
	BH-7528-35	N237-1	2	Front Outer Swing Arm (newer)
54	BH-9755-25L	FJ79-6	4	Adapter Swivel Pin
KIT	BH-7508-22/22A	FJ7888		Arm Restraint Kit (for 1 arm)
--	BH-7500-47	FJ5173		Sheave & Pin KIT

Item	SVI Part #	OEM#	Req	Description
1	BH-7502-90	FJ7445-6 FJ7444-14	1	Lock Latch Cable Retrofit Kit Left or Right
	BH-7501-26	FJ7322	2	Lock Latch Cable Sheave
	BH-7528-94	N69	2	Nylon Lock Cable Guide
2	BH-7528-91	N410, N410BL	2	Column Extension
3*	call for details	N729	1	Right Column
4	BH-7508-20	FJ7985-1	4	Arm Restraint Release Loop
5	BH-7535-57	FJ7656-1	4	Arm Rest. Pin (SPOA9 SPOA9-100)
	BH-7528-07	N121-1	4	Arm Restraint Pin (SPOA9-200 up)
6	BH-7528-06	N119-3	4	Ext. Retaining Ring
7	BH-7535-58	FJ7656-2	4	Arm Restraint Spring
8	BH-7508-17	FJ7749	4	Arm Restraint Engage Gear
9	BH-7500-50	SVI Exclusive	6	Sheave, steel
	BH-7500-50N	FJ7116-1	6	Sheave, nylon
10	BH-7500-62A	41411		Ext. Retaining Ring 5304-75
11	BH-7502-33	N119-1	2	Debris Shield / Sheave Cover
12	BH-9701	FF729	1	15" Wide Reach Wheel Spotter
	BH-9702	SVI Exclusive	1	15" Wide Reach Dual Spotter
13	BH-7510-03	FJ7360	8	Slider Block (cup style)
	BH-7515-65	FJ5106	2	Shim and Slider Kit (1 carriage)
14	call for details	N89	1	Left Carriage
15	call for details	N719	1	Left Column
16	BH-7512-41	FJ837	1	Power Unit Hose
17	BH-7535-69	FJ7668	1	Tee
18	call for details		1	Adapter Plate (not for SPX)
19	call for details		1	Control Box (specify Ø not SPX)
20	call for details		1	Power Unit (call to discuss versions)
21	BH-7508-53	FJ7664	1	Hydraulic Cylinder (older models)
	BH-7545-15	N380	1	Hydraulic Cylinder (newer models)

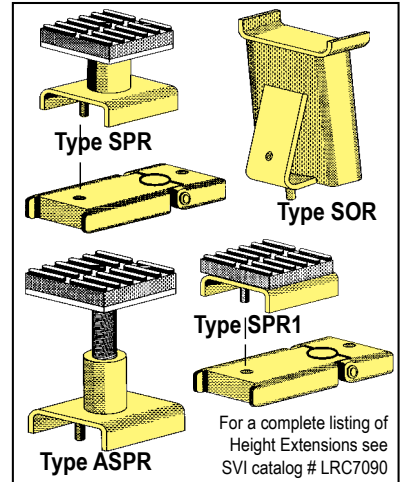
Page 62



Model SPO10



Height Extensions for use on most Rotary lifts



For all the carriage lock parts see index for "Two Post Carriage Locks"

Arm Restraint Kit

SVI Part #	OEM#	Description
BH-7508-42	N2148	Arm Restraint Kit

Item	SVI Part #	OEM#	Req	Description
1	BH-7545-01	N619	2	Cable Bracket
2*	BH-7545-09	N470	2	Column Extension
3*	BH-7545-03	N752	1	Left Column
4	BH-7508-20	FJ7985-1	4	Arm Restraint Release Loop
5	BH-7528-07	N121-1	4	Arm Restraint Pin
6	BH-7528-06	N119-3	4	C-Clip Truarc 5103-93
7	BH-7535-58	FJ7656-2	4	Arm Restraint Spring
8	BH-7545-17	N2121	4	Arm Restraint Engage Gear
9	BH-7530-01	SVI Exclusive	6	Sheave, Steel (for nylon see item 22)
10	BH-7500-62A	41411		Ext. Retaining Ring 5304-75
11	BH-7502-33	FJ7382-16	2	Debris Shield / Sheave Cover
12	BH-9701	SVI Exclusive	1	15" Wide Reach Wheel Spotter
	BH-9702	SVI Exclusive	1	15" Wide Reach Dual Spotter
13	BH-7510-03	FJ7360	8	Slider Block (cup style)
	BH-7515-65	FJ5106	2	Shim and Slider Kit (1 carriage)
14*	BH-7545-02	N822	2	Carriage
15*	BH-7545-04	N755	1	Right Column
16	BH-7512-41	FJ837	1	Power Unit Hose
17	BH-7535-69	FJ7668	1	Tee
18	BH-7515-69	FA7147-1	1	Capacitor Housing (not for SPX)
19	BH-7006A-19	P1302	1	Power Unit 1Ø
20	BH-7545-14	N342	2	Hydraulic Cylinder 68" stroke
	BH-7545-12F	N343	2	Hydraulic Cylinder 71" stroke
21	with cylinder		2	Bleeder Screw
22	BH-7530-01	SVI Exclusive	6	Sheave, Steel (for nylon see below)
	BH-7530-01N	N377	6	Sheave, Nylon
23	BH-7500-49B	41388	4	Spacer 1-1/2" x .045 thick
24	BH-7500-68	FJ7444-8	2	Sheave Shaft
25	BH-7500-62A	41411		Ext. Retaining Ring 5304-75

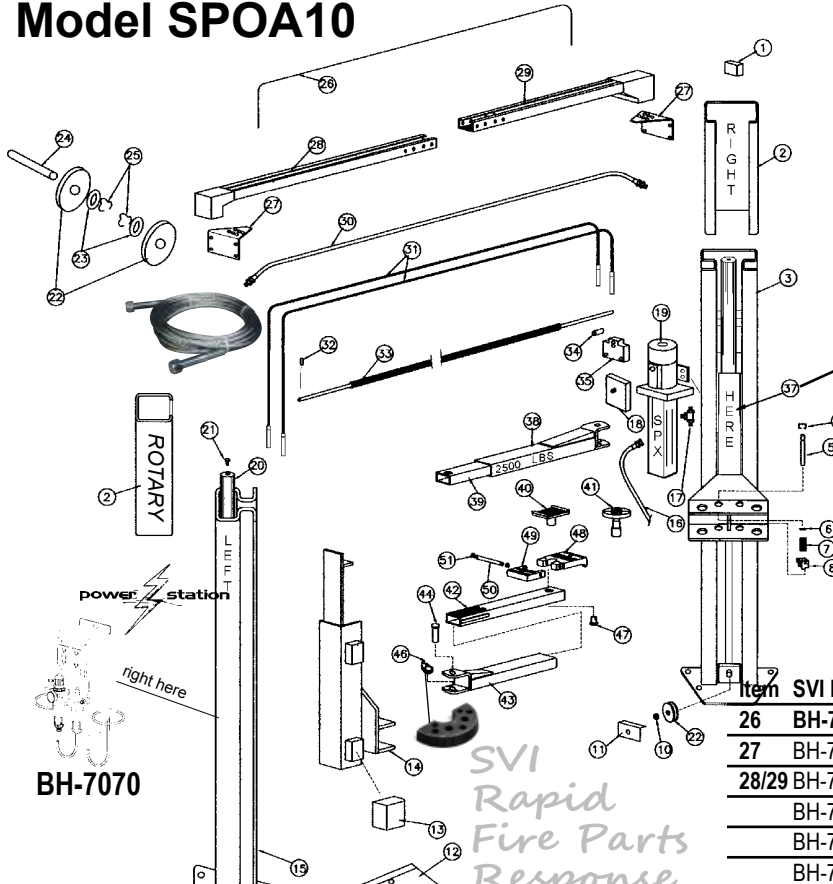
doorjammerPRO
BH-7077-02-2 (24")
BH-7077-02-2s (12")

Item	SVI Part #	OEM#	Req	Description
26	BH-7501-24	FJ7595-1	1	Lock Latch Release Cable
27	BH-7545-07	N439	2	Mounting Bracket
28/29	BH-7542-62	N444BL	1	L/R OH Assembly for 10" Col. (blue)
	BH-7528-88	N448BL	1	L/R OH Assembly for 12" Col. (blue)
	BH-7542-62R	N444RD	1	L/R OH Assembly for 10" Col. (red)
	BH-7528-89	N448RD	1	L/R OH Assembly for 12" Col. (red)
30	BH-7512-20	FJ839	1	Overhead Hydraulic Hose
	BH-7512-23	FJ842	1	Overhead Hydraulic Hose (EH-1)
	BH-7512-24	FJ843	1	Overhead Hydraulic Hose (EH-2)
	BH-7512-26	FJ845	1	Overhead Hydraulic Hose (EH-4)
31	BH-7529-89	N374	2	Equalizer Cable
	BH-7529-93	N379	2	Equalizer Cable (EH-1)
	BH-7529-90	N375	2	Equalizer Cable (EH-2)
	BH-7529-91	N376	2	Equalizer Cable (EH-4)
32	BH-7503-29	FJ7871	1	Spacer
33	BH-7545-08	N467	1	Overhead Limit Bar
34	call for details		1	Limit Bar Adapter
35	BH-7503-65	N413	1	Overhead Limit Switch Assy 1Ø
	BH-7004-36	N413-1	1	Overhead Limit Switch only 1Ø
36/37	BH-7077-02-2	SVI Exclusive	1	doorjammerPRO pair (24")
38*	BH-7545-20	N2174-1	4	Outer Swing Arm
39*	BH-7545-22	N2180-1	4	Inner Swing Arm
	BH-7545-24	N2174-2	4	Inner Swing Arm Kit
40	BH-7536-93	FJ6197		Spin-Up Truck Adapters (4)
	BH-7536-96	FJ6185 / FJ6182	4	Spin-up Adapter with Pad (1)
	BH-7542-73	FJ6158-4		Rubber Pads (Kit of 4)
41	BH-7542-66	FJ6202	4	Spin-up Adapter with Round Pad
	BH-7542-66PK	FJ5174 / FJ6202-3		Rubber Pads (Kit of 4)
44	BH-7545-54	N2154	4	Arm Swivel Pin
45	BH-7545-16	N2122	4	Arm Restraint Gear (not adjustable)
	BH-7545-16A	SVI Exclusive	4	Arm Restraint Gear (adjustable)
47	BH-9755-25L	FJ79-6	4	Adapter Swivel Pin
48	BH-9755-20	FJ6177	4	High Step Ductile Iron Adapter
	BH-9789-98	FJ697	4	Rubber Pad Adapter for Flip-Up
49	BH-9755-21	FJ6178	4	Low Step Ductile Iron Adapter
50	BH-7533-60	FJ6179	4	Adapter Pivot Pin
51	BH-9755-26	FJ671-6	4	Hog Ring Clip

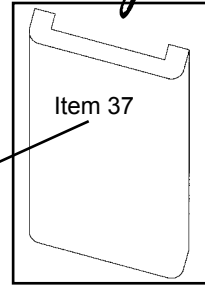
* Custom order by request. Sample may be needed.



Model SPOA10



BH-7077-02-2 (pair)



For better all around vehicle protection nothing beats a doorjammerPRO. Install one today and put an end to the denting and dinging done to your customer's doors. Makes the service tech more efficient because it is easier to get in and out of vehicles. Don't be held accountable for dents and dings.

Arm Restraint Kit

SVI Part #	OEM#	Description
BH-7508-42	N2148	Arm Restraint Kit

For all the carriage lock parts see index for "Two Post Carriage Locks"

Item	SVI Part #	OEM#	Req	Description
1	BH-7545-01	N619	2	Cable Bracket
2*	BH-7545-09	N470	2	Column Extension
3*	BH-7545-03	N752	1	Left Column
4	BH-7508-20	FJ7985-1	4	Arm Restraint Release Loop
5	BH-7528-07	N121-1	4	Arm Restraint Pin
6	BH-7528-06	N119-3	4	C-Clip Truarc 5103-93
7	BH-7535-58	FJ7656-2	4	Arm Restraint Spring
8	BH-7545-17	N2121	4	Arm Restraint Engage Gear
9	BH-7530-01	SVI Exclusive	6	Sheave, Steel (for nylon see item 22)
10	BH-7500-62A	41411		Ext. Retaining Ring 5304-75
11	BH-7502-33	FJ7382-16	2	Debris Shield / Sheave Cover
12	BH-9701	SVI Exclusive	1	15" Wide Reach Wheel Spotter
	BH-9702	SVI Exclusive	1	15" Wide Reach Dual Spotter
13	BH-7510-03	FJ7360	8	Slider Block (cup style)
	BH-7515-65	FJ5106	2	Shim and Slider Kit (1 carriage)
14*	BH-7545-02	N822	2	Carriage
15*	BH-7545-04	N755	1	Right Column
16	BH-7512-41	FJ837	1	Power Unit Hose
17	BH-7535-69	FJ7668	1	Tee
18	BH-7515-69	FA7147-1	1	Capacitor Housing (not for SPX)
19	BH-7520-08	P1302	1	Power Unit 1Ø
20	BH-7545-14	N342	2	Hydraulic Cylinder 68" stroke
	BH-7545-12F	N343	2	Hydraulic Cylinder 71" stroke
21	with cylinder		2	Bleeder Screw
22	BH-7530-01	SVI Exclusive	6	Sheave, Steel
	BH-7530-01N	N377	6	Sheave, Nylon
23	BH-7500-49B	41388	4	Spacer 1-1/2" x .045 thick
24	BH-7500-68	FJ7444-8	2	Sheave Shaft
25	BH-7500-62A	41411		Ext. Retaining Ring 5304-75

Item	SVI Part #	OEM#	Req	Description
26	BH-7501-24	FJ7595-1	1	Lock Latch Release Cable
27	BH-7545-07	N439	2	Mounting Bracket
28/29	BH-7542-62	N444BL	1	L/R OH Assembly for 10" Col. (blue)
	BH-7528-88	N448BL	1	L/R OH Assembly for 12" Col. (blue)
	BH-7542-62R	N444RD	1	L/R OH Assembly for 10" Col. (red)
	BH-7528-89	N448RD	1	L/R OH Assembly for 12" Col. (red)
30	BH-7512-20	FJ839	1	Overhead Hydraulic Hose
	BH-7512-23	FJ842	1	Overhead Hydraulic Hose (EH-1)
	BH-7512-24	FJ843	1	Overhead Hydraulic Hose (EH-2)
31	BH-7529-86	N372	2	Equalizer Cable
	BH-7529-92	N378	2	Equalizer Cable (EH-1)
	BH-7529-88	N373	2	Equalizer Cable (EH-2)
32	BH-7503-29	FJ7871	1	Spacer
33	BH-7545-08	N467	1	Overhead Limit Bar
34	Call for Details		1	Limit Bar Adapter
35	BH-7503-65	N413	1	Overhead Limit Switch Assy 1Ø
	BH-7004-36	N413-1	1	Overhead Limit Switch only 1Ø
37	BH-7077-02-2	SVI Exclusive	1	doorjammerPRO protection (pair)
38	BH-7545-21	N2173-1	2	Outer Rear Swing Arm
39*	BH-7545-23	N2179-1	2	Inner Rear Swing Arm
	BH-7545-23C	N2173-2	2	Inner Rear Swing Arm Kit
40	BH-7536-96	FJ6182	4	Rubber Pad Adapter Base
	BH-7536-92P	FJ6158-4	4	Rubber Pad only
41	BH-7536-96	FJ6185	4	Spin-up Adapter w/Pad
42*	BH-7545-26	N2178-1	2	Inner Front Swing Arm
	BH-7545-26C	N2172-2	2	Inner Front Swing Arm Kit
43	BH-7545-27	N2172-1	2	Front Outer Swing Arm
44	BH-7545-54	N2154	4	Arm Swivel Pin
46	BH-7545-16	N2122	4	Arm Restraint Gear (not adjustable)
	BH-7545-16A	SVI Exclusive	4	Arm Restraint Gear (adjustable)
47	BH-9755-25L	FJ79-6	4	Adapter Swivel Pin
48	BH-9755-20	FJ6177	4	High Step Ductile Iron Adapter
	BH-9789-98	FJ697	4	Rubber Pad Adapter for Flip-Up
49	BH-9755-21	FJ6178	4	Low Step Ductile Iron Adapter
50	BH-7533-60	FJ6179	4	Adapter Pivot Pin
51	BH-9755-26	FJ671-6	8	Hog Ring Clip

* Custom order by request. Sample may be needed.

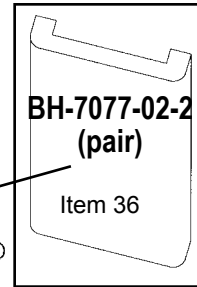
Page 64



Model SPOA10NB

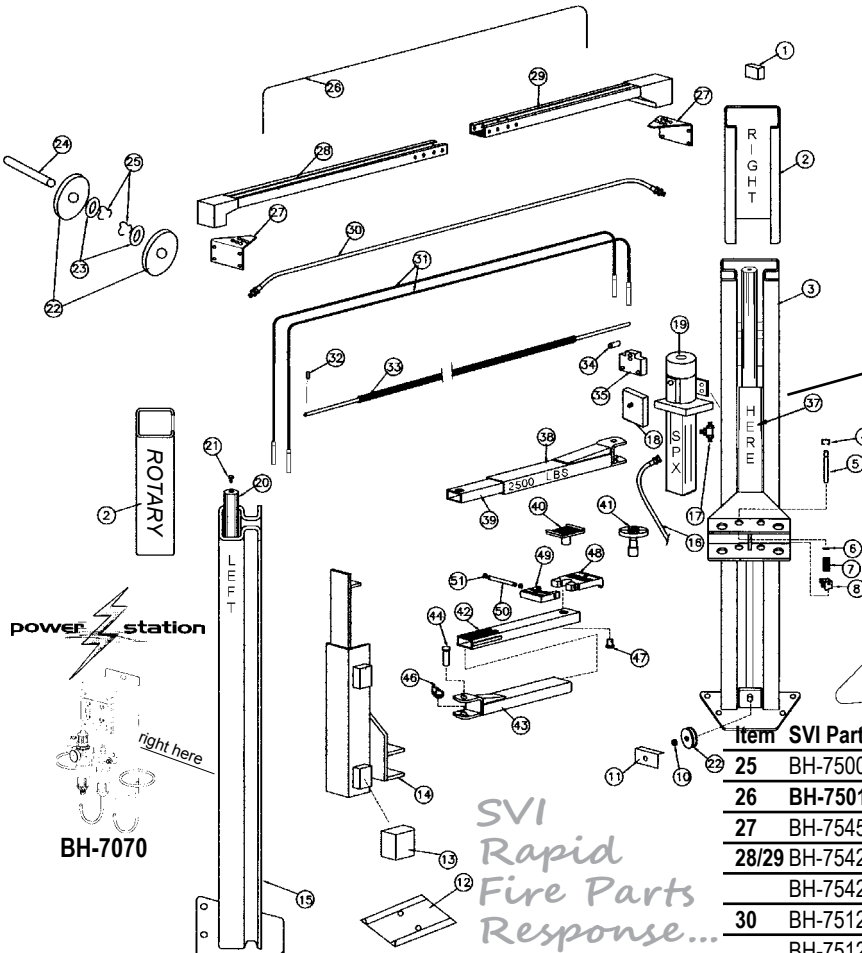
doorjammer^{PRO}

For better all around vehicle protection nothing beats a doorjammerPRO. Install one today and put an end to the denting and dinging done to your customer's doors. Makes the service tech more efficient because it is easier to get in and out of vehicles. Don't be held accountable for dents and dings.



Nothing works better!
An SVI exclusive product.
Low cost protection!

For all the carriage lock parts see index for "Two Post Carriage Locks"



Item	SVI Part #	OEM#	Req	Description
1	BH-7545-01	N619	2	Cable Bracket
2*	BH-7545-09	N470	2	Column Extension
3*	BH-7545-03	N752	1	Column
4	BH-7508-20	FJ7985-1	4	Arm Restraint Release Loop
5	BH-7528-07	N121-1	4	Arm Restraint Pin
6	BH-7528-06	N119-3	4	C-Clip Truarc 5103-93
7	BH-7535-58	FJ7656-2	4	Arm Restraint Spring
8	BH-7545-17	N2121	4	Arm Restraint Engage Gear
9	BH-7530-01	SVI Exclusive	6	Sheave, Steel (for nylon see item 22)
10	BH-7500-62A	41411		Ext. Retaining Ring 5304-75
11	BH-7502-33	FJ7382-16	2	Debris Shield / Sheave Cover
12	BH-9701	SVI Exclusive	1	15" Wide Reach Wheel Spotter
	BH-9702	SVI Exclusive	1	15" Wide Reach Dual Spotter
13	BH-7510-03	FJ7360	8	Slider Block (cup style)
	BH-7515-65	FJ5106	2	Shim and Slider Kit (1 carriage)
14*	BH-7545-02	N822	2	Carriage
15*	BH-7545-04	N755	1	Column
16	BH-7512-41	FJ837	1	Power Unit Hose
17	BH-7535-69	FJ7668	1	Tee
18	BH-7515-69	FA7147-1	1	Capacitor Housing (not for SPX)
19	BH-7006A-19	P1302	1	Power Unit 1Ø
20	BH-7545-14	N342	2	Hydraulic Cylinder 68" stroke
	BH-7545-12F	N343	2	Hydraulic Cylinder 71" stroke
21	with cylinder		2	Bleeder Screw
22	BH-7530-01	SVI Exclusive	6	Sheave, Steel
	BH-7530-01N	N377	6	Sheave, Nylon
23	BH-7500-49B	41388	4	Spacer 1-1/2" x .045 thick
24	BH-7500-68	FJ7444-8	2	Sheave Shaft

Item	SVI Part #	OEM#	Req	Description
25	BH-7500-62A	41411		Ext. Retaining Ring 5304-75
26	BH-7501-24	FJ7595-1	1	Lock Latch Release Cable
27	BH-7545-07	N439	2	Mounting Bracket
28/29	BH-7542-62	N444BL	1	L/R OH Assembly for 10" Col. (blue)
	BH-7542-62R	N444RD	1	L/R OH Assembly for 10" Col. (red)
30	BH-7512-20	FJ839	1	Overhead Hydraulic Hose
	BH-7512-23	FJ842	1	Overhead Hydraulic Hose (EH-1)
	BH-7512-24	FJ843	1	Overhead Hydraulic Hose (EH-2)
31	BH-7529-87	N384	2	Equalizer Cable
	BH-7529-94	N385	2	Equalizer Cable (EH-1)
	BH-7529-95	N386	2	Equalizer Cable (EH-2)
32	BH-7503-29	FJ7871	1	Spacer
33	BH-7528-80	N415	1	Overhead Limit Bar
34	Call for Details		1	Limit Bar Adapter
35	BH-7503-65	N413	1	Overhead Limit Switch Assy 1Ø
	BH-7004-36	N413-1	1	Overhead Limit Switch only 1Ø
36	BH-7077-02-2	SVI Exclusive	1	doorjammerPro protection (pair)
38*	BH-7545-28	N2177-1	2	Outer Rear Swing Arm
39*	BH-7545-29	N2180-1	2	Inner Rear Swing Arm
	BH-7545-29C	N2174-2	2	Inner Rear Swing Arm Kit
40	BH-7536-96	FJ6182	4	Rubber Pad Adapter Base
	BH-7536-92P	FJ6158-4	4	Rubber Pad only
41	BH-7536-96	FJ6185	4	Spin-up Adapter w/Pad
42*	BH-7545-30	N2181-1	2	Inner Front Swing Arm
	BH-7545-30C	N2175-2	2	Inner Front Swing Arm Kit
43	BH-7545-31	N2175-1	2	Front Outer Swing Arm
44	BH-7545-54	N2154	4	Arm Swivel Pin
46	BH-7545-16	N2122	4	Arm Restraint Gear (not adjustable)
	BH-7545-16A	SVI Exclusive	4	Arm Restraint Gear (adjustable)
47	BH-9755-25L	FJ79-6	4	Adapter Swivel Pin
48	BH-9755-20	FJ6177	4	High Step Ductile Iron Adapter
	BH-9789-98	FJ697	4	Rubber Pad Adapter for Flip-Up
49	BH-9755-21	FJ6178	4	Low Step Ductile Iron Adapter
50	BH-7533-60	FJ6179	4	Adapter Pivot Pin
51	BH-9755-26	FJ671-6	8	Hog Ring Clip

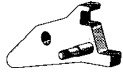
* Custom order by request. Sample may be needed.



doorjammerPRO™

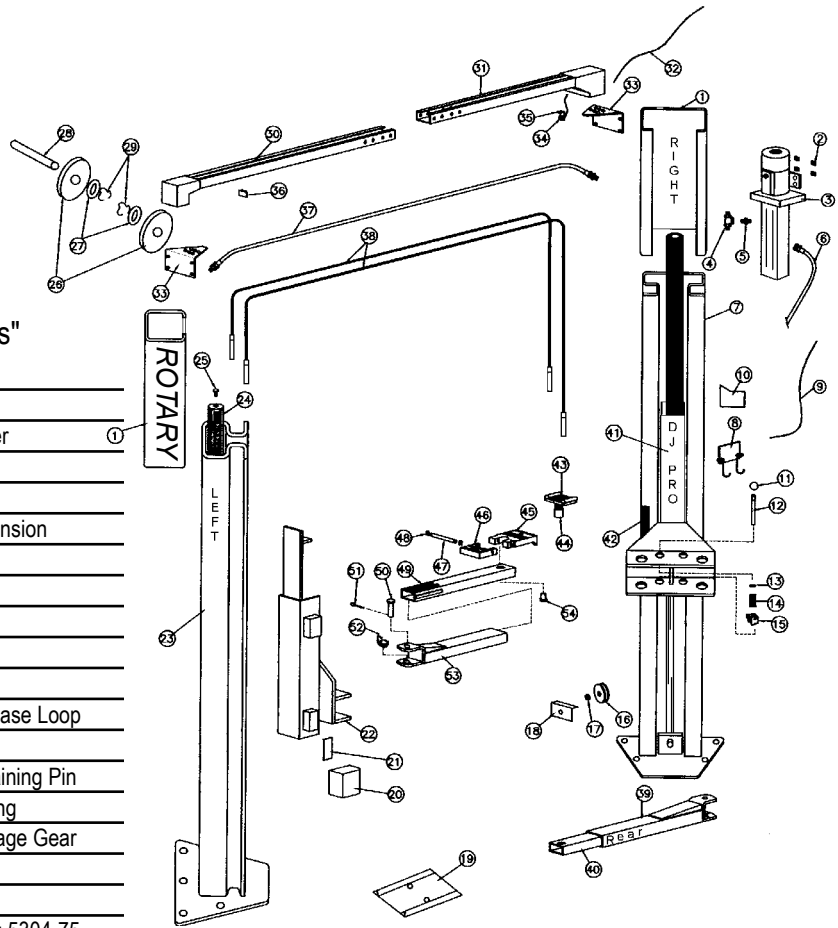
BH-7077-02-2 (pair)

For better all around vehicle protection nothing beats the doorjammerPRO. Install a pair today and put an end to the denting and dinging done to your customer's doors. Makes the service tech more efficient because it is easier to get in and out of vehicles. Don't be held accountable for dents and dings.



For all the carriage lock parts see index for "Two Post Carriage Locks"

Model A8i



Item	SVI Part #	OEM#	Req	Description
1	BH-7528-91	N410	2	Column Extension
2	BH-7520-03	P1164-3	4	Vibration Dampener
3	BH-7519-70	P1392	1	Power Unit 1Ø
4	BH-7519-21	N331	1	Tee
5	BH-7519-22	N332	1	O-Ring Fitting Extension
6	BH-7519-23	N368	1	Power Unit Hose
7*	call for details	N750	1	Column
8	BH-7500-93	FA5162	1	Air Tool Bracket
9	BH-7527-97	FA7180-43	1	Control Cable
10	BH-7509-91	FA928	1	Wiring Chase
11	BH-7508-20	FJ7985-1	4	Arm Restraint Release Loop
12	BH-7528-07	N121-1	4	Arm Restraint Pin
13	BH-7528-06	N119-3	4	Arm Restraint Retaining Pin
14	BH-7535-58	FJ7656-2	4	Arm Restraint Spring
15	BH-7508-17	FJ7449	4	Arm Restraint Engage Gear
16	BH-7530-01	SVI Exclusive	6	Sheave, Steel
	BH-7530-01N	N377	6	Sheave, Nylon
17	BH-7500-62A	41411		Ext. Retaining Ring 5304-75
18	BH-7502-33	N119-1	2	Debris Shield / Sheave Cover
19	BH-9701	SVI Exclusive	1	15" Wide Reach Wheel Spotter
	BH-9702	SVI Exclusive	1	15" Wide Reach Dual Spotter
20	BH-7510-03	FJ7360	8	Slider Block (cup style)
	BH-7515-65	FJ5106	2	Shim and Slider Kit (1 carriage)
22	call for details	N820	2	Carriage
23*	call for details	N750	1	Column
24	BH-7545-14	N346	2	Hydraulic Cylinder
25	call for details		2	Bleeder Screw
26	BH-7530-01	SVI Exclusive	6	Sheave, Steel
	BH-7530-01N	N377	6	Sheave, Nylon
27	BH-7500-49B	41388	4	Spacer 1-1/2" x .045 thick
28	BH-7500-68	FJ7444-8	2	Sheave Shaft
29	BH-7500-62A	41411		Ext. Retaining Ring 5304-75
30/31	BH-7542-62	N444BL	1	L/ROH Assembly for 10" Col. (blue)
	BH-7542-62R	N444RD	1	L/ROH Assembly for 10" Col. (red)
32	BH-7527-98	FA7180-46	1	Photosensor Extension Cable 2'
33	BH-7545-07	N439	2	Mounting Bracket
34	BH-7528-83	N428	1	Photosensor
35	BH-7528-84	N428-1	1	Photosensor Bracket
36	BH-7528-84A	N428-2	1	Photosensor Reflector
37	BH-7519-24	N369	1	Overhead Hose
	BH-7519-25	N371	1	Overhead Hose (EH-1 & EH-2)
38	BH-7500-22	FJ7449	2	Equalizer Cable
	BH-7534-95	FJ7545	2	Equalizer Cable (EH-1)
	BH-7534-96	FJ7546	2	Equalizer Cable (EH-2)
39	BH-7545-33	N2153-1	2	Outer Rear Swing Arm

Item	SVI Part #	OEM#	Req	Description
40*	BH-7545-25	N2153-2	2	Inner Rear Swing Arm
	BH-7545-25C	N2160-1	2	Inner Rear Swing Arm Kit
41	BH-7077-02-2	SVI Exclusive	1	doorjammerPRO protection (pair)
43	BH-7536-92P	FJ6158-4	4	Rubber Pad only
44	BH-7536-96	FJ6182	4	Rubber Pad Adapter Base
45	BH-9755-20	FJ671-1	4	High Step Ductile Iron Adapter
	BH-9789-98	FJ697	4	Rubber Pad Adapter for Flip-Up
46	BH-9755-21	FJ671-2	4	Low Step Ductile Iron Adapter
47	BH-9755-22	FJ671-3	4	Adapter Pivot Pin
48	BH-9755-26	FJ671-6	8	Hog Ring Clip
49*	BH-7545-32	N2152-2	2	Inner Front Swing Arm
	BH-7545-32C	N2159-1	2	Inner Front Swing Arm Kit
50	BH-7505-14	FJ7838	4	Arm Swivel Pin
51	F-CP-187-2000	41250	4	3/16" x 2" Cotter Pin
52	BH-7508-16A/SA	SVI Exclusive	4	Arm Restraint Gear (Adj. or Super-Adj.)
	BH-7508-16	FJ7750	4	Arm Restraint Gear (not adjustable)
53	BH-7545-19	N2152-1	2	Front Outer Swing Arm

* Custom order by request. Sample may be needed.

When relocating lifts SVI has everything to meet your anchoring needs including the Titen HD. This anchor provides more pull out strength than conventional wedge style anchors.

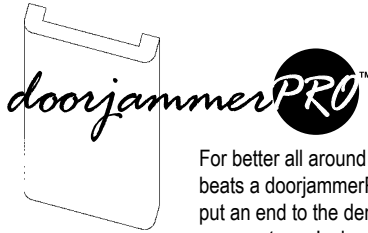
Titen HD's are removable, which means you don't have to drill through the concrete or as deep.

For all your anchoring needs...

SVI is certainly your answer!

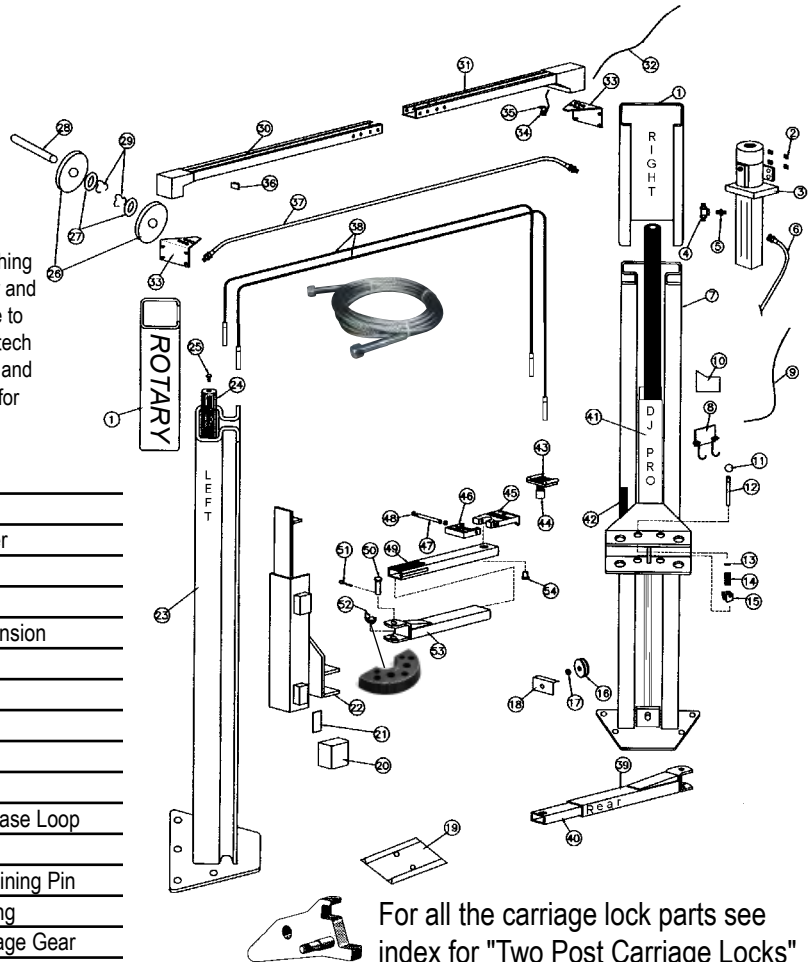


Model A10i



Designed with this Rotary lift model in mind.

For better all around vehicle protection nothing beats a doorjammerPRO. Install one today and put an end to the denting and dinging done to your customer's doors. Makes the service tech more efficient because it is easier to get in and out of vehicles. Don't be held accountable for dents and dings.



Item	SVI Part #	OEM#	Req	Description
1*	call for details		2	Column Extension
2	BH-7520-03	P1164-3	4	Vibration Dampener
3	call for details	P1364	1	Power Unit 1Ø
4	BH-7519-21	N331	1	Tee
5	BH-7519-22	N332	1	O-Ring Fitting Extension
6	BH-7519-23	N368	1	Power Unit Hose
7*	call for details	N750	1	Column
8	BH-7500-93	FA5162	1	Air Tool Bracket
9	BH-7527-97	FA7180-43	1	Control Cable
10	BH-7509-91	FA928	1	Wiring Chase
11	BH-7508-20	FJ7985-1	4	Arm Restraint Release Loop
12	BH-7528-07	N121-1	4	Arm Restraint Pin
13	BH-7528-06	N119-3	4	Arm Restraint Retaining Pin
14	BH-7535-58	FJ7656-2	4	Arm Restraint Spring
15	BH-7545-17	N2121	4	Arm Restraint Engage Gear
16	BH-7530-01	SVI Exclusive	6	Sheave, Steel
	BH-7530-01N	N377	6	Sheave, Nylon
17	BH-7500-62A	41411		Ext. Retaining Ring 5304-75
18	BH-7502-33	N119-1	2	Debris Shield / Sheave Cover
19	BH-9701	SVI Exclusive	1	15" Wide Reach Wheel Spotter
	BH-9702	SVI Exclusive	1	15" Wide Reach Dual Spotter
20	BH-7510-03	FJ7360	8	Slider Block (cup style)
	BH-7515-65	FJ5106	2	Shim and Slider Kit (1 carriage)
22*	call for details	N822	2	Carriage
23*	call for details	N750	1	Column
24	BH-7545-14	N346	2	Hydraulic Cylinder
25	call for details		2	Bleeder Screw
26	BH-7530-01	SVI Exclusive	6	Sheave, Steel
	BH-7530-01N	N377	6	Sheave, Nylon
27	BH-7500-49B	41388	4	Spacer 1-1/2" x .045 thick
28	BH-7500-68	FJ7444-8	2	Sheave Shaft
29	BH-7500-62A	41411		Ext. Retaining Ring 5304-75
30/31	BH-7542-62	N444BL	1	L/R OH Assembly for 10" Col. (blue)
	BH-7542-62R	N444RD	1	L/R OH Assembly for 10" Col. (red)
32	BH-7527-98	FA7180-46	1	Photosensor Extension Cable 2'
33	BH-7545-07	N439	2	Mounting Bracket
34	BH-7528-83	N428	1	Photosensor
35	BH-7528-84	N428-1	1	Photosensor Bracket
36	BH-7528-84A	N428-2	1	Photosensor Reflector
37	BH-7519-24	N369	1	Overhead Hose
	BH-7519-25	N371	1	Overhead Hose (EH-1 & EH-2)
38	BH-7529-86	N372	2	Equalizer Cable
	BH-7529-92	N378	2	Equalizer Cable (EH-1)
	BH-7529-88	N373	2	Equalizer Cable (EH-2)

For all the carriage lock parts see index for "Two Post Carriage Locks"

Item	SVI Part #	OEM#	Req	Description
39*	BH-7545-38	N2150-1	2	Outer Rear Swing Arm
40*	BH-7545-39	N2150-2	2	Inner Rear Swing Arm
	BH-7545-39C	N2103-1	2	Inner Rear Swing Arm Kit
41	BH-7077-02-2	SVI Exclusive	1	doorjammerPRO protection (2)
43	BH-7536-92P	FJ6158-4	4	Rubber Pad only
44	BH-7536-96	FJ6182	4	Rubber Pad Adapter Base
45	BH-9755-20	FJ6177	4	High Step Ductile Iron Adapter
	BH-9789-98	FJ697	4	Rubber Pad Adapter for Flip-Up
46	BH-9755-21	FJ6178	4	Low Step Ductile Iron Adapter
47	BH-7533-60	FJ6179	4	Adapter Pivot Pin
48	BH-9755-26	FJ671-6	4	Hog Ring Clip
49*	BH-7545-40	N2149-2	2	Inner Front Swing Arm
	BH-7545-40C	N2156-1	2	Inner Front Swing Arm Kit
50	BH-7545-54	N2154	4	Arm Swivel Pin
51	F-CP-187-2000	41250	4	3/16" x 2" Cotter Pin
52	BH-7545-16A	SVI Exclusive	4	Arm Restraint Gear (adjustable)
	BH-7545-16	N2122	4	Arm Restraint Gear (not adjustable)
53	BH-7545-41	N2149-1	2	Front Outer Swing Arm

* Custom order by request. Sample may be needed.



When relocating lifts SVI has everything to meet your anchoring needs including the Titen HD. This anchor provides more pull out strength than conventional wedge style anchors.

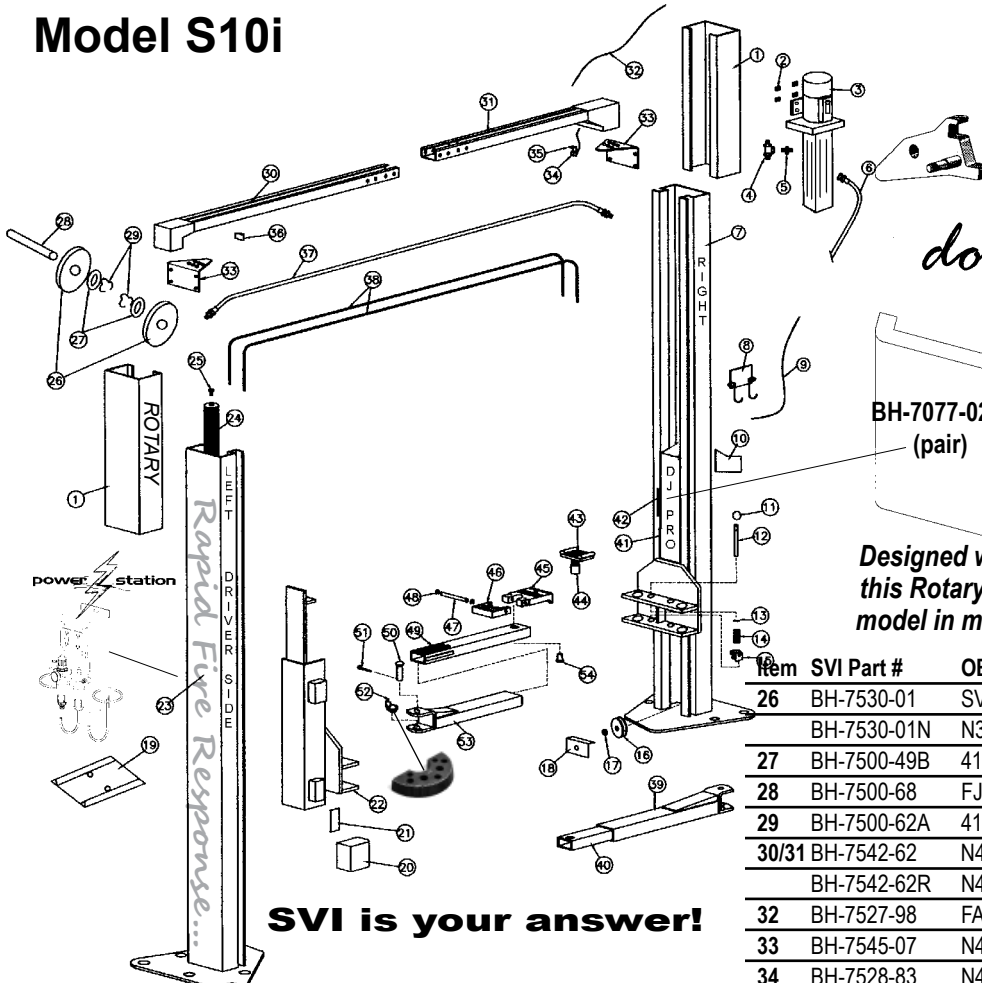
Titen HD's are removable, which means you don't have to drill through the concrete or as deep.

For all your anchoring needs...

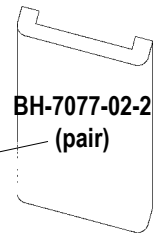
SVI is certainly your answer!



Model S10i



For all the carriage lock parts see index for "Two Post Carriage Locks"



Designed with this Rotary lift model in mind.

For better all around vehicle protection nothing beats a doorjammerPRO. Install one today and put an end to the denting and dinging done to your customer's doors. Makes the service tech more efficient because it is easier to get in and out of vehicles. Don't be held accountable for dents and dings.

SVI is your answer!

Item	SVI Part #	OEM#	Req	Description
1*	call for details		2	Column Extension
2	BH-7520-03	P1164-3	4	Vibration Dampener
3	call for details	P1364	1	Power Unit 1Ø
4	BH-7519-21	N331	1	Tee
5	BH-7519-22	N332	1	O-Ring Fitting Extension
6	BH-7519-23	N368	1	Power Unit Hose
7*	call for details	N750	1	Column
8	BH-7500-93	FA5162	1	Air Tool Bracket
9	BH-7527-97	FA7180-43	1	Control Cable
10	BH-7509-91	FA928	1	Wiring Chase
11	BH-7508-20	FJ7985-1	4	Arm Restraint Release Loop
12	BH-7528-07	N121-1	4	Arm Restraint Pin
13	BH-7528-06	N119-3	4	Arm Restraint Retaining Clip
14	BH-7535-58	FJ7656-2	4	Arm Restraint Spring
15	BH-7545-17	N2121	4	Arm Restraint Engage Gear
16	BH-7530-01	SVI Exclusive	6	Sheave, Steel
	BH-7530-01N	N377	6	Sheave, Nylon
17	BH-7500-62A	41411		Ext. Retaining Ring 5304-75
18	BH-7502-33	N119-1	2	Debris Shield / Sheave Cover
19	BH-9701	SVI Exclusive	1	15" Wide Reach Wheel Spotter
	BH-9702	SVI Exclusive	1	15" Wide Reach Dual Spotter
20	BH-7510-03	FJ7360	8	Slider Block (cup style)
	BH-7515-65	FJ5106	2	Shim and Slider Kit (1 carriage)
22	call for details	N822	2	Carriage
23*	call for details	N750	1	Column
24	BH-7545-14	N346	2	Hydraulic Cylinder
25	call for details		2	Bleeder Screw

Item	SVI Part #	OEM#	Req	Description
26	BH-7530-01	SVI Exclusive	6	Sheave, Steel
	BH-7530-01N	N377	6	Sheave, Nylon
27	BH-7500-49B	41388	4	Spacer 1-1/2" x .045 thick
28	BH-7500-68	FJ7444-8	2	Sheave Shaft
29	BH-7500-62A	41411		Ext. Retaining Ring 5304-75
30/31	BH-7542-62	N444BL	1	L/R OH Assembly for 10" Col. (blue)
	BH-7542-62R	N444RD	1	L/R OH Assembly for 10" Col. (red)
32	BH-7527-98	FA7180-46	1	Photosensor Extension Cable 2'
33	BH-7545-07	N439	2	Mounting Bracket
34	BH-7528-83	N428	1	Photosensor
35	BH-7528-84	N428-1	1	Photosensor Bracket
36	BH-7528-84A	N428-2	1	Photosensor Reflector
37	BH-7519-24	N369	1	Overhead Hose
	BH-7519-25	N371	1	Overhead Hose (EH-1 & EH-2)
	BH-7519-26A	N370	1	Overhead Hose (EH-4)
38	BH-7529-89	N374	2	Equalizer Cable
	BH-7529-93	N379	2	Equalizer Cable (EH-1)
	BH-7529-90	N375	2	Equalizer Cable (EH-2)
	BH-7529-91	N376	2	Equalizer Cable (EH-4)
39*	BH-7545-42	N2151-1	2	Outer Rear Swing Arm
40*	BH-7545-43	N2152-2	2	Inner Rear Swing Arm
	BH-7545-43C	N2158-1	2	Inner Rear Swing Arm Kit
41/42	BH-7077-02-2	SVI Exclusive	1	doorjammerPRO protection (pair)
43	BH-7536-92P	FJ6158-4	4	Rubber Pad only
44	BH-7536-96	FJ6182	4	Rubber Pad Adapter Base
45	BH-9755-20	FJ6177	4	High Step Ductile Iron Adapter
	BH-9789-98	FJ697	4	Rubber Pad Adapter for Flip-Up
46	BH-9755-21	FJ6178	4	Low Step Ductile Iron Adapter
47	BH-7533-60	FJ6179	4	Adapter Pivot Pin
48	BH-9755-26	FJ671-6	4	Hog Ring Clip
49*	BH-7545-44	N2151-2	2	Inner Front Swing Arm
	BH-7545-44C	N2158-1	2	Inner Front Swing Arm Kit
50	BH-7545-54	N2154	4	Arm Swivel Pin
51	F-CP-187-2000	41250	4	3/16" x 2" Cotter Pin
52	BH-7545-16A	SVI Exclusive	4	Arm Restraint Gear (adjustable)
	BH-7545-16	N2122	4	Arm Restraint Gear (not adjustable)
53	BH-7545-45	N2151-1	2	Front Outer Swing Arm

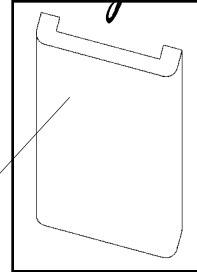
* Custom order by request. Sample may be needed.



Model SPO12

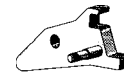
BH-7077-02-2 (pair)

*doorjammer***PRO**

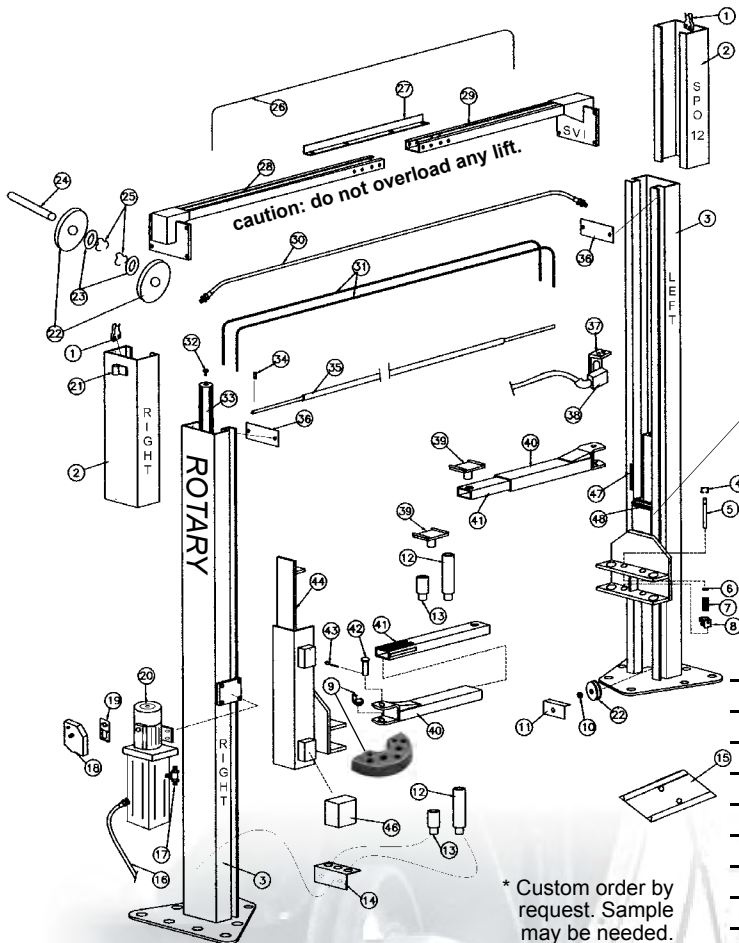


For better all around vehicle protection, nothing beats a doorjammerPRO. Install them today and put an end to the denting and dinging done to your customer's doors. Makes the service tech more efficient because it is easier to get in and out of vehicles. Don't be held accountable for dents and dings.

**Nothing works better!
An SVI exclusive product.**



For all the carriage lock parts see index for "Two Post Carriage Locks"



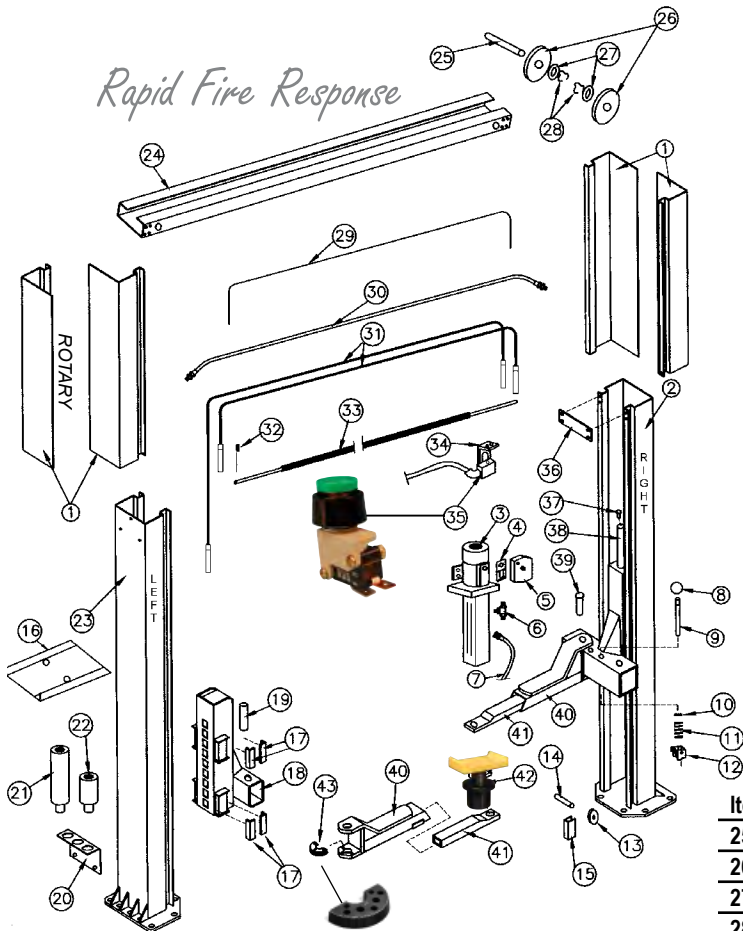
* Custom order by request. Sample may be needed.

Item	SVI Part #	OEM#	Req	Description
1	BH-7528-94	N69	2	Lock Release Cable Guide
2*	call for details	N419	2	Column Extension
	call for details	N420	2	Column Extension (EH-1)
	call for details	N421	2	Column Extension (EH-2)
3*	call for details	N724	2	Column
4	BH-7508-20	FJ7985-1	4	Arm Restraint Release Loop
5	BH-7528-07	N121-1	4	Arm Restraint Pin
6	BH-7528-06	N119-3	4	Retainer
7	BH-7535-58	FJ7656-2	4	Arm Restraint Spring
8	BH-7545-17	N2121	4	Arm Restraint Engage Gear
9	BH-7545-16	N2122	4	Arm Restraint Gear (not adjustable)
	BH-7545-16A	SVI Exclusive	4	Arm Restraint Gear (adjustable)
10	BH-7200-62A	41411	6	Ext. Retaining Ring 5304-75
11	BH-7502-33	N119-1	2	Sheave Cover FJ7382-16
12	BH-7533-97	FJ6144	4	8" Nesting Style Extension
13	BH-7533-96	FJ6143	4	4" Nesting Style Extension
	BH-7533-98	FJ6146	4	3-1/2" Nesting Style Extension
	BH-7533-98S	FJ6180	4	2-1/2" Nesting Style Extension
	BH-7533-99	FJ6147	4	5" Nesting Style Extension
14	BH-7500-95	FJ6145	2	Extension Holder
15	BH-9701	FF729	1	15" Wide Reach Wheel Spotter
	BH-9702	SVI Exclusive	1	15" Wide Reach Dual Spotter
16	BH-7519-27A	N348	1	Power Unit Hose
17	BH-7535-69	FJ7668	1	Tee
18	BH-7543-70	FA7162	1	3Ø 208V/60Hz. Control Panel
	BH-7543-71	FA7163	1	3Ø 230V/60Hz. Control Panel
19	BH-7543-69	FA7132-2	1	Control Box Adapter
20	BH-7520-09	P1391	1	1Ø Power Unit
	call for details	P1395	1	3Ø Power Unit

Item	SVI Part #	OEM#	Req	Description
21	BH-7534-77	FJ7499	12	Hose Clip
22	BH-7528-85	N417-1	6	Sheave
23	BH-7500-49B	41388	4	Spacer 1-1/2" x .045 thick
24	BH-7500-68	FJ7444-8	2	Sheave Shaft
25	BH-7200-62A	41411	6	Ext. Retaining Ring 5304-75
26	BH-7501-24	FJ7595-1	1	Lock Release Cable (std. model)
	BH-7535-21	FJ7600	1	Lock Release Cable (EH1 & 2)
27*	BH-7545-52	N417-3	1	Overhead Stiffener
28/29	BH-7528-88	N448BL	1	L/R OH Assembly for 12" Col. (blue)
	BH-7528-89	N448RD	1	L/R OH Assembly for 12" Col. (red)
30	BH-7528-68	N349 / N315	1	Overhead Hose (std. model)
	BH-7519-29	N350	1	Overhead Hose (EH1)
	BH-7519-30	N351	1	Overhead Hose (EH2)
31	BH-7528-76	N39	2	Equalizer Cable (std. model)
	BH-7528-65	N312	2	Equalizer Cable (EH1)
	BH-7528-66	N313	2	Equalizer Cable (EH2)
32	call for details			Cylinder Bleeder Screw
33	BH-7545-14	N342	2	Hydraulic Cylinder
34	BH-7503-29	FJ7871	1	3/4" Spacer
35	BH-7508-34	FJ7613-2	1	Overhead Limit Bar
36	call for details	N165-2	2	Tie Plate
37	BH-7503-65	N413	1	OH Limit Switch Assy (under 250V)
	BH-7538-55	N414	1	OH Limit Switch Assy (over 250V)
38	BH-7538-54	N413-1	1	Overhead Limit Switch (under 250V)
	BH-7537-21A	FJ7979-1	1	Overhead Limit Switch (over 250V)
39	BH-7536-92	FJ6158	4	Lift Adapter Base Assy
40*	BH-7528-31A	N25-1	4	Outer Swing Arm
41*	BH-7528-31	N25-2	4	Inner Swing Arm
42	BH-7505-14	FJ7838	4	Arm Swivel Pin
43	F-CP-187-2000	41250	4	3/16" x 2" Cotter Pin
44	call for details	N810	2	Carriage
46	BH-7510-03	FJ7360	8	Slider Block (cup style)
	BH-7515-65	FJ5106	2	Shim and Slider Kit (1 carriage)
47/48	BH-7077-02-2	SVI Exclusive	1	doorjammerPRO pair
KIT	BH-7508-22 / 22A	FJ7888		Arm Restraint Kit (for 1 arm)
KIT	BH-7504-20	FA5129		Shim Kit



Models SPO15 / SPO18



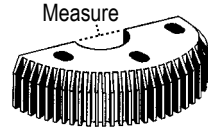
Rapid Fire Response

Arm Restraint Main Gear

Please measure the inside diameter.

BH-7536-60 1-3/4" inside diameter (not adjustable)

BH-7536-60A 1-3/4" inside diameter (adjustable) *SVI Exclusive*



BH-7070

What better step-saving tool is there?



For all the carriage lock parts see index for "Two Post Carriage Locks"

Cable kits including fasteners are also available.

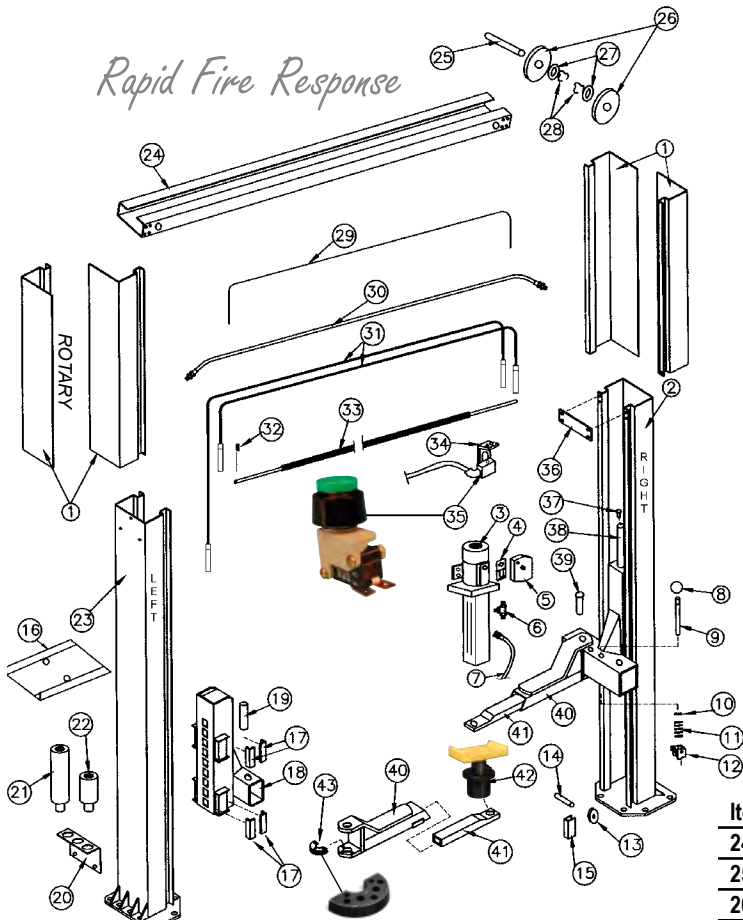
Item	SVI Part #	OEM#	Req	Description
1*	BH-7536-47	FJ7818	2	Right Column Extension
	BH-7536-46	FJ7817	2	Left Column Extension
2*	call for details N734 1 Right Column			
3	BH-7006A-16	P706/P606	1	Power Unit
4	BH-7543-69	FA7132-2	1	Adapter Plate
5	BH-7543-70	FA7162	1	Control 208V 3Ø
	BH-7543-71	FA7163	1	Control 230V 3Ø
6	BH-7535-69	FJ7668	1	Tee
7	BH-7536-58	FJ7828	1	Power Unit Hose
8**	BH-7508-20	FJ7985-1	4	Arm Restraint Release Loop
9**	BH-7528-08	N167-2	4	Arm Restraint Pin
10**	BH-7537-59	41412	4	Ext. Retaining Ring 5304-100
11**	BH-7508-19	FJ7813-10	4	Arm Restraint Spring
12	BH-7508-17	FJ7749	4	Arm Restraint Engage Gear
13	BH-7545-60	FJ7823-3	6	Sheave
14	BH-7536-39	FJ7813-3	2	Sheave Shaft
15	BH-7536-42	FJ7813-8	2	Debris Shield
16	BH-9701	FF729	1	15" Wide Reach Wheel Spotter
	BH-9702	SVI Exclusive	1	15" Wide Reach Dual Spotter
17	BH-7504-55	FJ7813-1	16	Slider Block
18*	BH-7536-49	FJ7821	2	Carriage (SPO15)
	BH-7536-49E	N817	2	Carriage (SPO18)
19	BH-7503-12	FJ7833	2	Cable Spacer
20	BH-7536-52	FJ7822-3	2	Height Extension Holder
21	BH-7536-54	FJ7822-5		10" Nesting Height Extension
22	BH-7536-53	FJ7822-4		5" Nesting Height Extension
	BH-7536-55	FJ7822-6		7-1/2" Nesting Height Extension
23*	call for details	FJ7815	1	Left Column
24	BH-7545-56	FJ7823-1	1	Overhead Channel

Item	SVI Part #	OEM#	Req	Description
25	BH-7545-61	FJ7823-2	2	Sheave Shaft
26	BH-7545-60	FJ7823-3	6	Sheave
27	BH-7536-57	FJ7823-4	4	Plastic Spacer
28	BH-7537-59	41412	4	Ext. Retaining Ring 5304-100
29	BH-7507-01	FA2230-2	1	Lock Release Air Line
30	BH-7536-59	FJ7829	1	Overhead Hose
31	BH-7500-32	FJ7827-1	2	Equalizer Cable
	BH-7500-31	FJ7826-1	2	Eq. Cable (low ceiling models)
32	BH-7503-29	FJ7871	1	Spacer
33	BH-7545-55	FJ7825	1	Overhead Limit Bar
34	BH-7503-65	N413	1	Overhead Switch Assembly -250V
	BH-7538-55	N414	1	Overhead Switch Assembly +250V
35	BH-7503-65S	N413-1	1	Overhead Switch -250V
	BH-7537-21A	FJ7979-1	1	Overhead Switch +250V
36	BH-7545-53	FJ7824	2	Stiffener Plate
37	call for details Bleeder Screw			
38	BH-7535-26	FJ7604	2	Hydraulic Cylinder
	BH-7535-24	FJ7604-12HP		Cylinder Seal Kit (Pacoma)
	BH-7535-25	FJ7604-12TH		Cylinder Seal Kit (Texas Hyd)
39	BH-7536-61	FJ7832	4	Arm Swivel Pin
40*	BH-7545-46	FJ7820-1	1	Outer RF/LR Swing Arm
	BH-7545-47	FJ7819-1	1	Outer LF / RR Swing Arm
41*	BH-7536-48	FJ7819-2	4	Inner Swing Arm (SPO15)
	BH-7545-48	N258-1	4	Inner Swing Arm (SPO18)
42	BH-7536-50	FJ7822-1	4	Swing Arm Adapter Assembly
	BH-7536-51	FJ7822-2	4	Rubber Adapter Pads
43**	BH-7536-60	FJ7831	4	Arm Restraint Gear (not adj.) 1-3/4" inside diameter
	BH-7536-60A	SVI Exclusive	4	Arm Restraint Gear (adj.) 1-3/4" ID
**KIT	BH-7530-42K4			Arm Restraint KIT 4 Arms
**KIT	BH-7530-42			Arm Restraint KIT 1 Arm
**KIT	BH-7530-42B			Arm Restraint KIT 1 Arm; With Beveled Gears

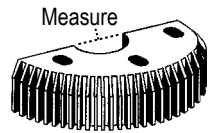
* Custom order by request. Sample may be needed.



Models SPO15 / SPO18 300 Series



Rapid Fire Response

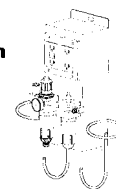


Arm Restraint Main Gear

Please measure the inside diameter.

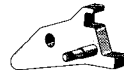
BH-7545-16 1-1/2" inside diameter (not adjustable)

BH-7545-16A 1-1/2" inside diameter (adjustable)



BH-7070

What better step-saving tool is there?



For all the carriage lock parts see index for "Two Post Carriage Locks"

Cable kits including fasteners are also available.

Item	SVI Part #	OEM#	Req	Description
1*	BH-7536-47	FJ7818	2	Right Column Extension
	BH-7536-46	FJ7817	2	Left Column Extension
2*	call for details	N734	1	Right Column
3	BH-7006A-16	P706/P606	1	Power Unit
4	BH-7543-69	FA7132-2	1	Adapter Plate
5	BH-7543-70	FA7162	1	Control 208V 3Ø
	BH-7543-71	FA7163	1	Control 230V 3Ø
6	BH-7535-69	FJ7668	1	Tee
7	BH-7536-58	FJ7828	1	Power Unit Hose
8**	BH-7508-20	FJ7985-1	4	Arm Restraint Release Loop
9**	BH-7528-08	N167-2	4	Arm Restraint Pin
10**	BH-7537-59	41412	4	Ext. Retaining Ring 5304-100
11**	BH-7508-19	FJ7813-10	4	Arm Restraint Spring
12**	BH-7545-17	N2121	4	Arm Restraint Engage Gear
13	BH-7545-60	FJ7823-3	6	Sheave
14	BH-7536-39	FJ7813-3	2	Sheave Shaft
15	BH-7536-42	FJ7813-8	2	Debris Shield
16	BH-9701	FF729	1	15" Wide Reach Wheel Spotter
	BH-9702	SVI Exclusive	1	15" Wide Reach Dual Spotter
17	BH-7504-55	FJ7813-1	16	Slider Block
18*	BH-7536-49	FJ7821	2	Carriage (SPO15)
	BH-7536-49E	N817	2	Carriage (SPO18)
19	BH-7503-12	FJ7833	2	Cable Spacer
20	BH-7536-52	FJ7822-3	2	Height Extension Holder
21	BH-7536-54	FJ7822-5	10"	Nesting Height Extension
22	BH-7536-53	FJ7822-4	5"	Nesting Height Extension
	BH-7536-55	FJ7822-6	7-1/2"	Nesting Height Extension
23*	call for details	FJ7815	1	Left Column

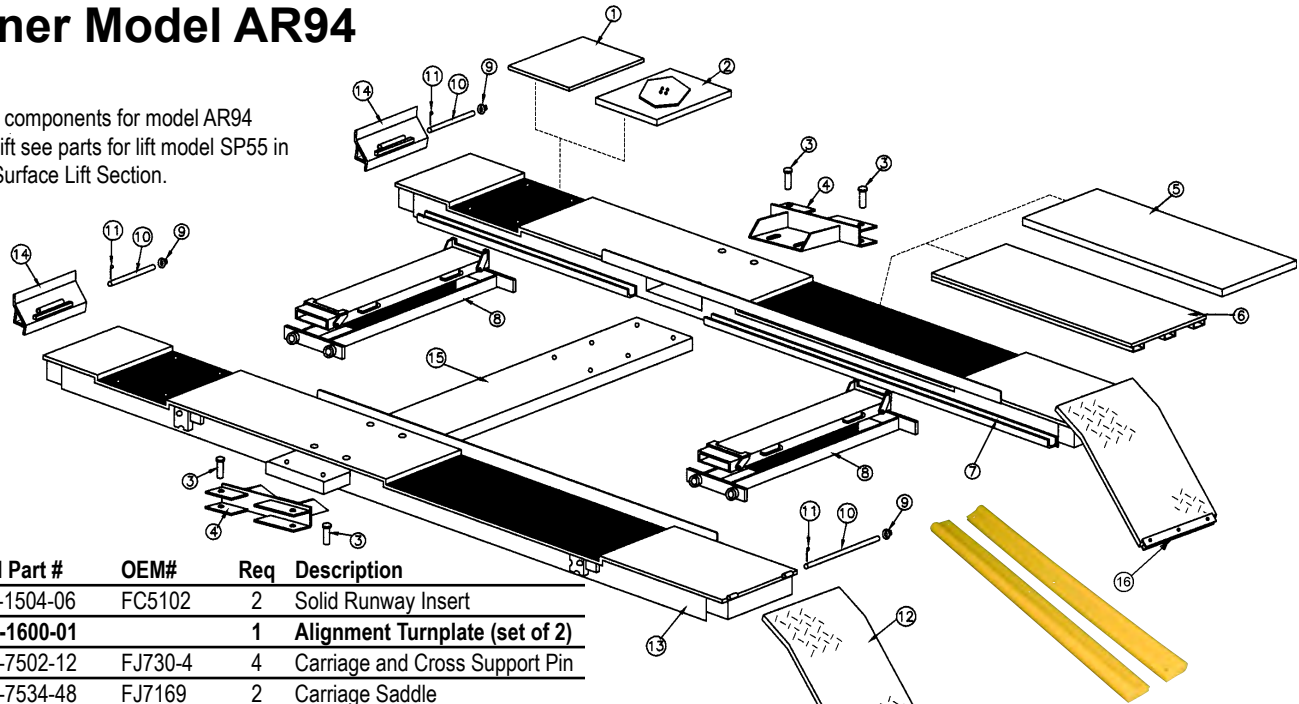
Item	SVI Part #	OEM#	Req	Description
24	BH-7545-56	FJ7823-1	1	Overhead Channel
25	BH-7545-61	FJ7823-2	2	Sheave Shaft
26	BH-7545-60	FJ7823-3	6	Sheave
27	BH-7536-57	FJ7823-4	4	Plastic Spacer
28	BH-7537-59	41412	4	Ext. Retaining Ring 5304-100
29	BH-7507-01	FA2230-2	1	Lock Release Air Line
30	BH-7536-59	FJ7829	1	Overhead Hose
31	BH-7500-32	FJ7827-1	2	Equalizer Cable
	BH-7500-31	FJ7826-1	2	Eq. Cable (low ceiling models)
32	BH-7503-29	FJ7871	1	Spacer
33	BH-7545-55	FJ7825	1	Overhead Limit Bar
34	BH-7503-65	N413	1	Overhead Switch Assembly -250V
	BH-7538-55	N414	1	Overhead Switch Assembly +250V
35	BH-7503-65S	N413-1	1	Overhead Switch -250V
	BH-7537-21A	FJ7979-1	1	Overhead Switch +250V
36	BH-7545-53	FJ7824	2	Stiffener Plate
37	call for details			Bleeder Screw
38	BH-7535-26	FJ7604	2	Hydraulic Cylinder
	BH-7535-24	FJ7604-12HP		Cylinder Seal Kit (Pacoma)
	BH-7535-25	FJ7604-12TH		Cylinder Seal Kit (Texas Hyd)
39	BH-7536-61	FJ7832	4	Arm Swivel Pin
40*	BH-7545-46	FJ7820-1	1	Outer RF/LR Swing Arm
	BH-7545-47	FJ7819-1	1	Outer LF / RR Swing Arm
41*	BH-7536-48	FJ7819-2	4	Inner Swing Arm (SPO15)
	BH-7545-48	N258-1	4	Inner Swing Arm (SPO18)
42	BH-7536-50	FJ7822-1	4	Swing Arm Adapter Assembly
	BH-7536-51	FJ7822-2	4	Rubber Adapter Pads
43**	BH-7545-16	N2122	4	Arm Restraint Gear (not adj.) 1.5" inside diameter
	BH-7545-16A	SVI Exclusive	4	Arm Restraint Gear (adj.) 1.5" ID
**KIT	BH-7536-69			Arm Restraint KIT 1 Arm
**KIT	BH-7536-69K4			Arm Restraint KIT 4 Arms

* Custom order by request. Sample may be needed.



Aligner Model AR94

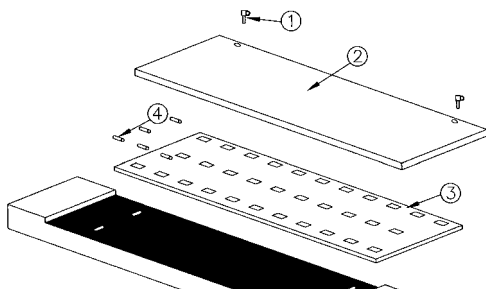
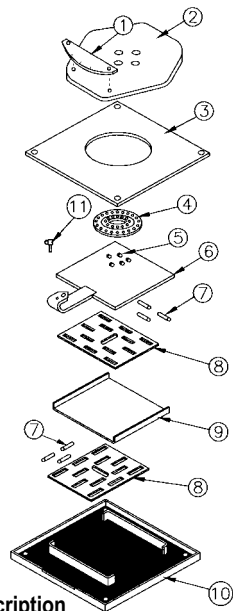
For lift part components for model AR94 alignment lift see parts for lift model SP55 in Two Post Surface Lift Section.



Item	SVI Part #	OEM#	Req	Description
1*	BA-1504-06	FC5102	2	Solid Runway Insert
2	BA-1600-01		1	Alignment Turnplate (set of 2)
3	BH-7502-12	FJ730-4	4	Carriage and Cross Support Pin
4	BH-7534-48	FJ7169	2	Carriage Saddle
5	BA-1504-07	FC5104	2	Slip Plate Assembly
6*	BA-1503-01	FC5103-1	2	Solid Runway Insert
7*	BH-7517-85	FC136	1	Right Runway
8	see rolling jack section		2	Rolling Jack
9	BH-7525-70			5/8" Push Nut
10	BH-7517-78	FC134-13-4	4	Pin
11	F-CP-156-1000		4	5/32" x 1" Cotter Pin
12	BH-7508-73	FC134-16	2	Drive On Ramp/Chock
13*	BH-7517-94	FC137	1	Left Runway
14	BH-7508-75	FC134-13	2	Front Wheel Chock
15	BH-7508-87	FC217	1	Cross Support
16	BH-7508-78	FC134-33	2	Ramp Slide
	BH-7508-78K	S100051		Ramp Slide Kit with Fasteners

SVI is your answer!

Recondition/repair existing turnplate assemblies with parts listed or purchase a **BA-1600-01** for **easy, direct replacement of the entire turnplate assembly.**



Item	SVI Part #	OEM#	Req	Description
1	BA-1504-04	FC5104-4		Pin
2	BA-1504-01	FC5104-1	1	Top Plate
3	BA-1504-03	FC5104-3	1	Roller Retainer Cage
4	BA-1504-05	FC5104-2		Slip Plate Roller

Item	SVI Part #	OEM#	Req	Description
1	n/a	NP142	1	Degree Plate
2	BA-1505-09	FC5105-9	1	Top Turntable Hex Plate
3	BA-1505-08	FC5105-8	1	Top Fixed Plate
4	BA-1505-07	FC5105-7	1	Short Roller Retainer Cage
5	BA-1505-06	FC5105-6		Short Roller
6	BA-1505-05	FC5105-5	1	Pointer Plate Assembly
7	BA-1505-02	FC5105-2		Long Roller
8	BA-1505-03	FC5105-3	2	Long Roller Retainer Cage
9	BA-1505-04	FC5105-4	1	Divider Plate
10	BA-1505-01	FC5105-1	1	Bottom Plate
--	BA-1505-30			Radius Gauge Rebuild Kit

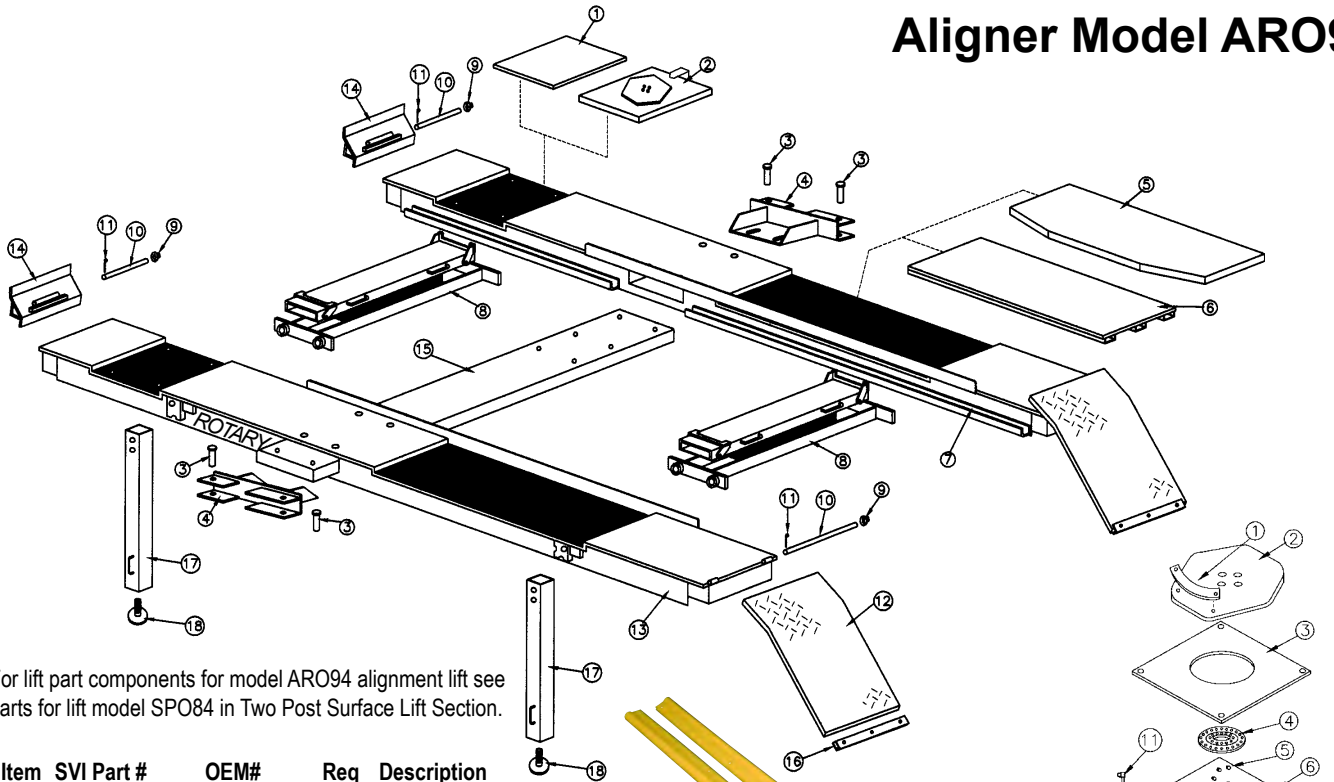
BA-1600-01
Alignment Turnplates
(set of 2)

Stainless Steel
Also Available!

SVI Part #	Description
BA-1600-01	14-3/4" x 14" Alignment Turnplate Set
BA-1600-04SS	14-3/4" x 14" Alignment Turnplate Set-Stainless Steel

* Custom order by request. Sample may be needed.

Aligner Model ARO94



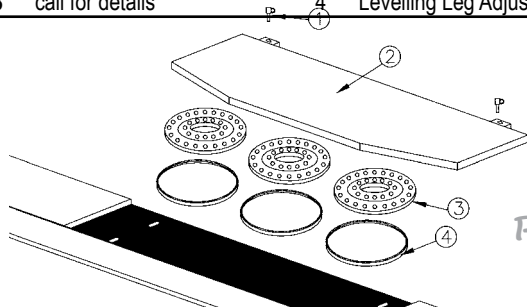
For lift part components for model ARO94 alignment lift see parts for lift model SPO84 in Two Post Surface Lift Section.

Item	SVI Part #	OEM#	Req	Description
1*	BA-1504-06	FC5102	2	Solid Runway Insert
2	BA-1600-01		1	Alignment Turnplate (set of 2)
3	BH-7502-12	FJ730-4	4	Carriage and Cross Support Pin
4*	BH-7534-25	FJ7143	2	Carriage Saddle
5	BA-1590	FC5190	2	Slip Plate Assembly
6*	BA-1503-01	FC5103-1	2	Solid Runway Insert
7*	BH-7517-85	FC136	1	Right Runway
8	see rolling jack section		2	Rolling Jack
9	BH-7525-70			5/8" Push Nut
10	BH-7517-78	FC134-99	4	Pin
11	F-CP-156-1000		4	5/32" x 1" Cotter Pin
12	BH-7508-68	FC134-12	2	Drive On Ramp/Chock
13*	BH-7517-94	FC137	1	Left Runway
14	BH-7508-75	FC134-13	2	Front Wheel Chock
15	BH-7508-87	FC217	1	Cross Support
16	BH-7508-78	FC134-33	2	Ramp Slide
	BH-7508-78K	S100051		Ramp Slide Kit
17	call for details		4	Levelling Leg
18	call for details		4	Levelling Leg Adjustment Foot

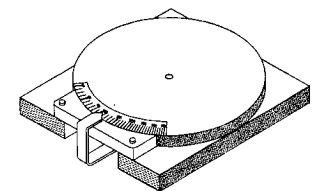
Recondition/repair existing turnplate assemblies with parts listed or purchase a **BA-1600-01** for *easy, direct replacement of the entire turnplate assembly.*

BA-1600-04SS stainless steel turnplate is also available.

Item	SVI Part #	OEM#	Req	Description
1	BH-7528-97	NP228	1	Degree Plate
2	BA-1505-09	FC5105-9	1	Top Turntable Hex Plate
3	BA-1505-08	FC5105-8	1	Top Fixed Plate
4	BA-1505-07	FC5105-7	1	Short Roller Retainer Cage
5	BA-1505-06	FC5105-6		Short Roller
6	BA-1505-05	FC5105-5	1	Pointer Plate Assembly
7	BA-1505-02	FC5105-2		Long Roller
8	BA-1505-03	FC5105-3	2	Long Roller Retainer Cage
9	BA-1505-04	FC5105-4	1	Divider Plate
10	BA-1505-01	FC5105-1	1	Bottom Plate
11	BA-1504-04	FC5104-4		Lock Pin
--	BA-1505-30			Radius Gauge Rebuild Kit



Rapid Fire Response...



Item	SVI Part #	OEM#	Req	Description
1	BH-7517-49	FC5190-13	2	Lock Pin
2	BA-1590-16	FC5190-16	1	Slip Plate
3	BA-1590-53	FC5190-6-1	3	Ball Retainer Cage w/Felt Wiper
	BA-1590-07	FC5190-7	108	3/4" Delrin / Nylon Roller Ball
4	BA-1590-20	FC5190-20	3	Felt Wiper

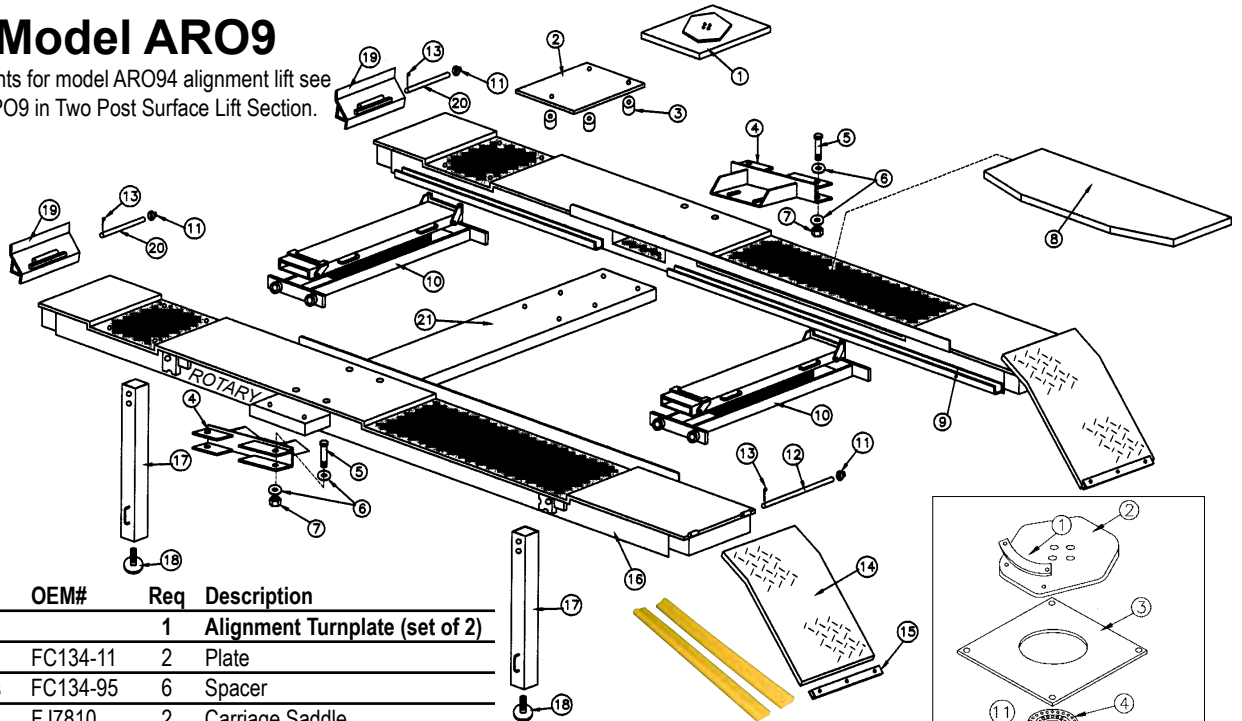
SVI Part #	Description
BA-1600-01	14-3/4" x 14" Alignment Turnplate Set
BA-1600-04SS	14-3/4" x 14" Alignment Turnplate Set-Stainless Steel

* Custom order by request. Sample may be needed.

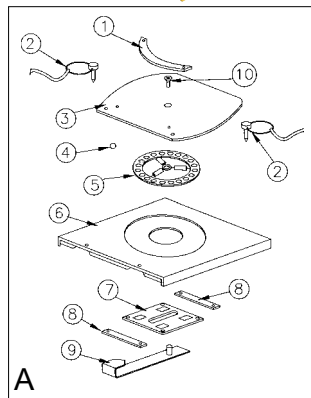
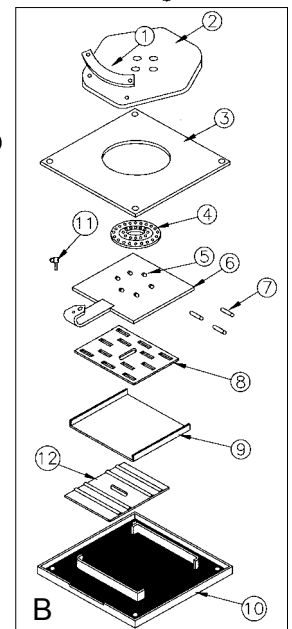


Aligner Model ARO9

For lift part components for model ARO94 alignment lift see parts for lift model SPO9 in Two Post Surface Lift Section.

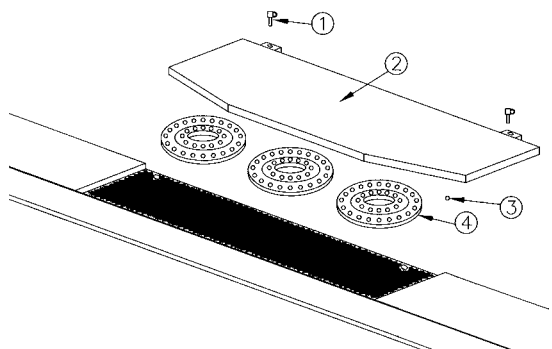


Item	SVI Part #	OEM#	Req	Description
1	BA-1600-01		1	Alignment Turnplate (set of 2)
2	BH-7508-67	FC134-11	2	Plate
3	call for details	FC134-95	6	Spacer
4	BH-7536-25	FJ7810	2	Carriage Saddle
5	F-HC-1500-06-7000		4	1-1/2-6 x 7 Hex Head Capscrew
6	F-LW-1500		8	1-1/2" Lockwasher
7	F-HN-1500-06		4	1-1/2" Hex Nut
8	BH-7527-86	FC5249	2	Slip Plate Assembly
9*	BH-7517-85	FC136	1	Right Runway
10	see rolling jack section		2	Rolling Jack
11	BH-7525-70			5/8" Push Nut
12	BH-7517-78	FC134-99	4	Pin
13	F-CP-156-1000		4	5/32" x 1" Cotter Pin
14	BH-7508-68	FC134-12	2	Drive On Ramp/Chock
15	BH-7508-78	FC134-33	2	Ramp Slide
	BH-7508-78K	S100051		Ramp Slide KIT
16*	BH-7524-35	FC147	1	Left Runway
17	BH-7508-79	FC134-28	4	Levelling Leg
18	BH-7517-65	FC134-36		Levelling Leg Adjustment Foot
19	BH-7508-75	FC134-13	2	Front Wheel Chock
20	BH-7517-78	FC134-99	4	Pin
21*	BH-7508-87	FC217	1	Cross Support



Item	SVI Part #	OEM#	Req	Description
1	BH-7528-97	NP228	1	Radius Gauge
2	BA-1504-04	FC5104-4	2	Lock Pin
3	BH-7531-36	FC5792-9	1	Turnplate Top
4	BA-1590-07	FC5190-7		3/4" Delrin Ball
5	call for details	FC5792-13	1	Ball Retainer
6	BH-7531-32	FC5792-1	1	Turnplate Base
7	BH-7531-31	FC5792-12	1	Degree Pointer Guide
8	BH-7531-94	FC5792-6	2	Strap
9	BH-7531-35	FC5792-7	1	Degree Pointer

Item	SVI Part #	OEM#	Req	Description
1	BH-7528-97	NP228	1	Radius Gauge
2	BA-1505-09	FC5105-9	1	Top Turntable Hex Plate
3	BA-1505-08	FC5105-8	1	Top Fixed Plate
4	BA-1505-07	FC5105-7	1	Short Roller Retainer Cage
5	BA-1505-06	FC5105-6		Short Roller
6	BA-1505-05	FC5105-5	1	Pointer Plate Assembly
7	BA-1505-02	FC5105-2		Long Roller
8	BA-1505-03	FC5105-3	2	Long Roller Retainer Cage
9	BA-1505-04	FC5105-4	1	Divider Plate
10	BA-1505-01	FC5105-1	1	Bottom Plate
11	BA-1504-04	FC5104-4		Lock Pin
12	BA-1505-99	FC5105-99	1	Lower Slide Bearing
--	BA-1505-30			Radius Gauge Rebuild Kit



Item	SVI Part #	OEM#	Req	Description
1	BH-7517-49	FC5190-13	2	Lock Pin
2	BA-1590-16	FC5190-16	1	Slip Plate
3	BA-1590-07	FC5190-7	108	3/4" Delrin / Nylon Roller Ball
4	BA-1590-53	FC5190-31	3	Ball Retainer Cage

Page

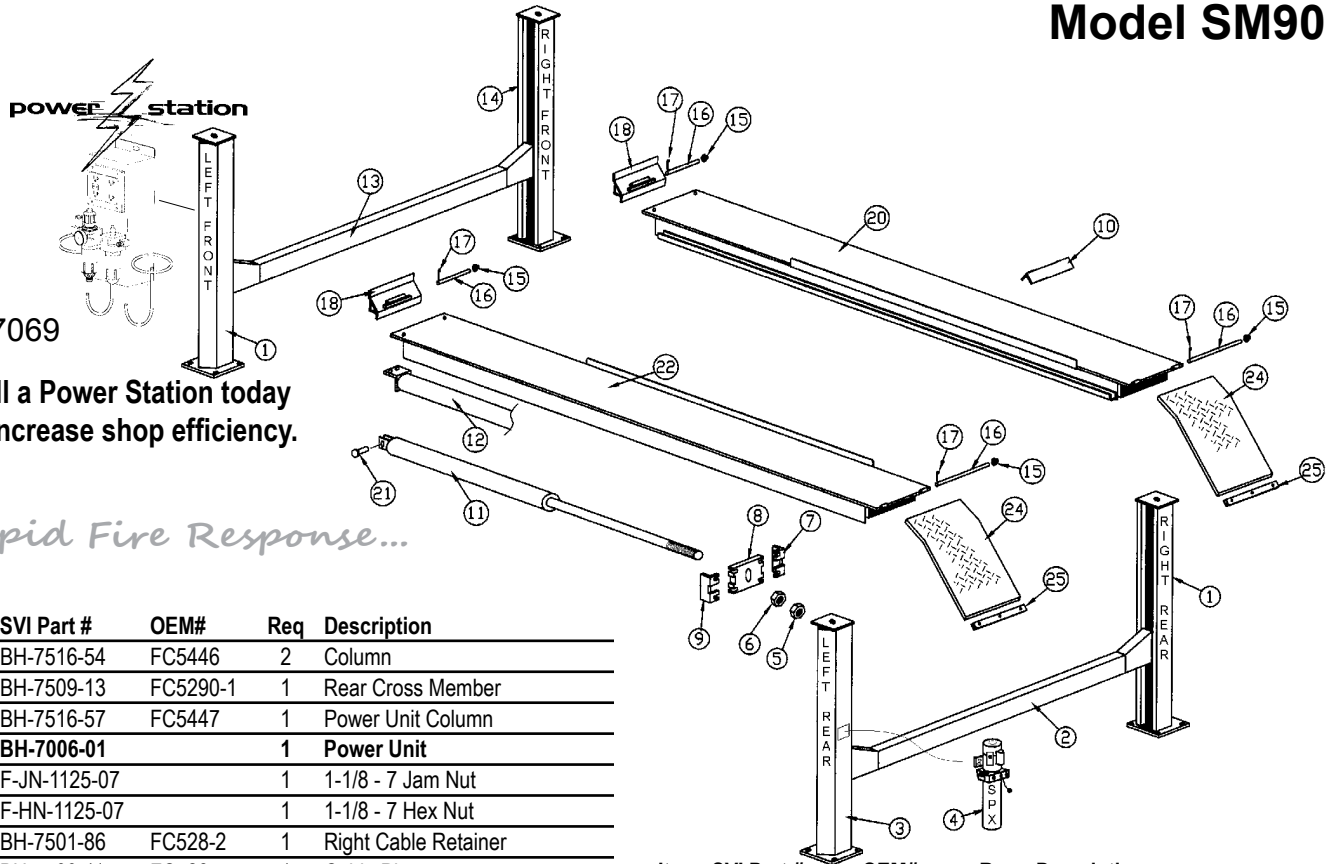
74 * Custom order by request. Sample may be needed.

Model SM90

BH-7069

Install a Power Station today and increase shop efficiency.

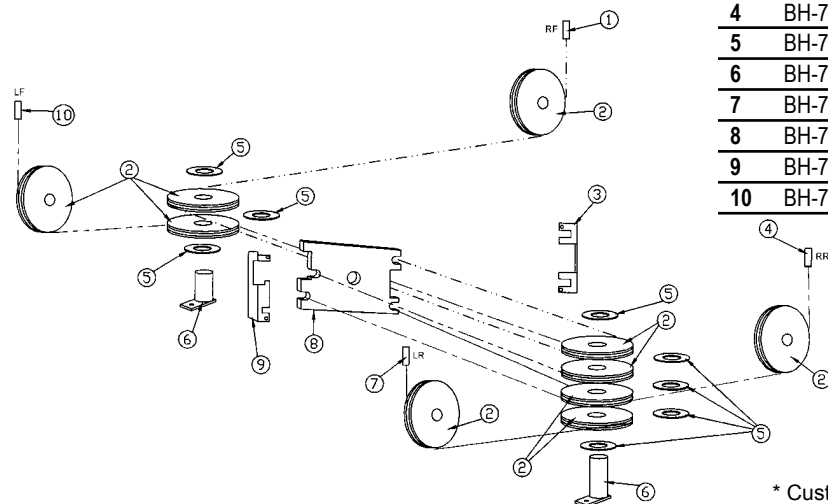
Rapid Fire Response...



Item	SVI Part #	OEM#	Req	Description
1*	BH-7516-54	FC5446	2	Column
2*	BH-7509-13	FC5290-1	1	Rear Cross Member
3	BH-7516-57	FC5447	1	Power Unit Column
4	BH-7006-01		1	Power Unit
5	F-JN-1125-07		1	1-1/8 - 7 Jam Nut
6	F-HN-1125-07		1	1-1/8 - 7 Hex Nut
7	BH-7501-86	FC528-2	1	Right Cable Retainer
8	BH-7509-11	FC528	1	Cable Plate
9	BH-7501-87	FC528-3	1	Left Cable Retainer
10	BH-7508-89	FC320		Wheel Chock
11	BH-7517-17	FC5343	1	Hydraulic Cylinder (Clevis Style)
12	BH-7516-20	FC537	1	Hydraulic Cylinder (2 Bolt Style)
13	call for details	FC5289-1	1	Front Cross Member
14*	BH-7516-56	FC5445	1	Column
15	BH-7525-70	FC5179-4		5/8" Push Nut

Item	SVI Part #	OEM#	Req	Description
16	BH-7504-25	FC526-3	2	Hinge Pin
17	F-CP-156-1000	41202		5/32" x 1" Cotter Pin
18	BH-7516-85	FC563	2	Wheel Stop Assembly
20*	call for details		1	Right Runway
22*	call for details		1	Left Runway
24	BH-7525-23	FC5142	2	Approach Ramp
25	BH-7525-22	FC5142-3	2	14" Ramp Slide (1)

Cable Detail SM90



Item	SVI Part #	OEM#	Req	Description
KIT	BH-7501-23	FC5512	1	Cable Kit incl: BH-7501-01, 02, 03, 04 (items 1, 4, 7, 10)
KIT	BH-7516-29	FC5518		Sheave & Pin Kit
1	BH-7501-04	FC519	1	Right Front Cable
2	BH-7501-40	FC522-5	10	Cable Sheave
3	BH-7501-86	FC528-2	1	Right Cable Retainer
4	BH-7501-02	FC517	1	Right Rear Cable
5	BH-7501-43S	FC522-70	7	Spacer UHMW .030 Thick
6	BH-7501-41	FC521-11	2	Sheave Pin
7	BH-7501-01	FC516	1	Left Rear Cable
8	BH-7509-11	FC528	1	Cable Plate
9	BH-7501-87	FC528-3	1	Left Cable Retainer
10	BH-7501-03	FC518	1	Left Front Cable

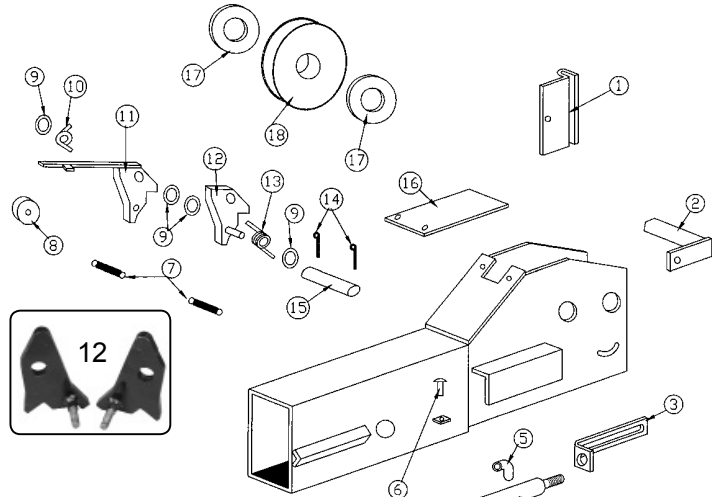
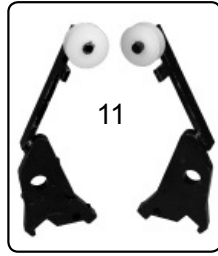
continues on following page

* Custom order by request. Sample may be needed.

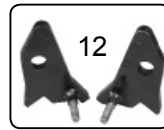


Model SM90

Lock Detail



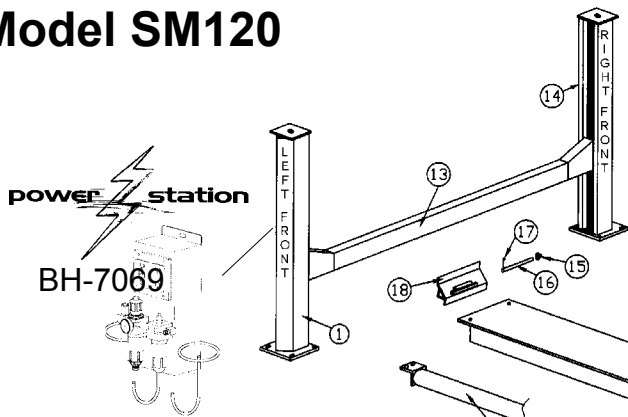
Item	SVI Part #	OEM#	Req	Description
1	BH-7508-99	FC5301-97		Slider (1-Hole Version) pictured
	BH-7517-31	FC5706-16		Slider (2-Hole Version)
2	BH-7501-39	FC522-34	4	Sheave Pin
3	BH-7501-53B	FA2230-9	4	Slotted Bracket
4	BH-7501-53	FA2230-1	4	Air Cylinder
5	BH-7501-56	FC5224-39		Elbow 1/4" Tube
6	BH-7507-06	FA2230-12	4	Clevis Pin
7	BH-7501-61	FC522-25	8	Spring
8	BH-7517-24	FC553-21	4	Slack Cable Roller
9	BH-7510-15	FC5301-98		Washer
10	BH-7501-59R	FC5224-63	4	Right Spring
11	BH-7501-54/54R		2	RH/LH Slack Cable Lock Kit
12	BH-7501-60/60A		1	RH & LH Lock Pawl Kit



Item	SVI Part #	OEM#	Req	Description
13	BH-7501-59	FC5224-62	4	Left Spring
14	F-CP-125-1250			1/8" x 1-1/4" Cotter Pin
15	BH-7501-55	FC5224-17	4	Lock Shaft
16	BH-7516-76	FC553-10	4	Rubber Cover
17	BH-7501-42S	FC522-69	8	Anti-Friction Washer .060 Thick
18	BH-7501-40	FC522-5		Sheave

Model SM120

Lift Repair Parts,
SVI Rapid Fire Response...

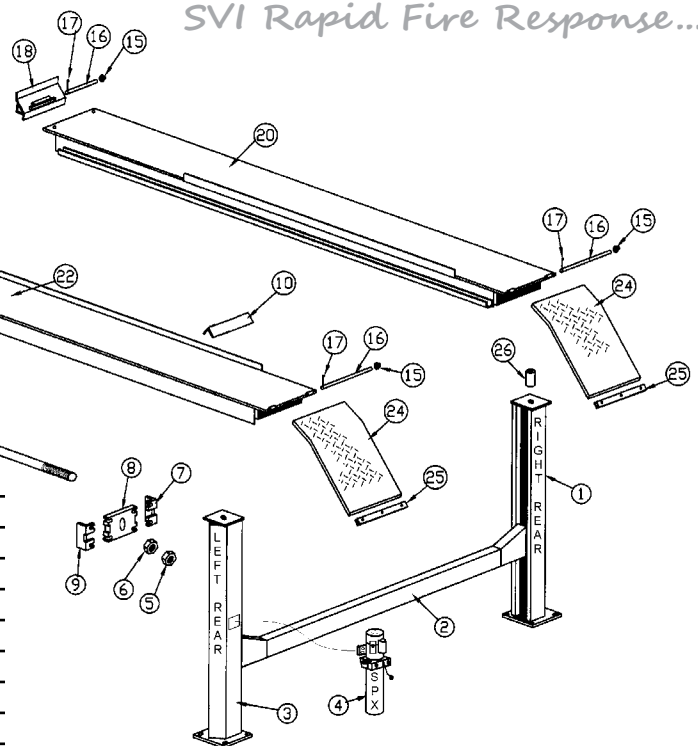


* Custom order by request.
Sample may be needed.

Item	SVI Part #	OEM#	Req	Description
1*	BH-7516-54	FC5446	2	Column
2*	BH-7509-63	FC5294-1	1	Rear Cross Member
3*	BH-7516-57	FC5447	1	Power Unit Column
4	BH-7006-01		1	Power Unit
5	F-JN-1375-07		1	1-3/8 - 6 Jam Nut
6	F-HN-1375-07		1	1-3/8 - 6 Hex Nut
7**	BH-7501-89	FC543-2	1	Right Cable Retainer
8**	BH-7529-20	FC543	1	Cable Plate
9**	BH-7501-90	FC543-3	1	Left Cable Retainer

Replacing Items 7-9: **BH-7529-26 (OEM #S120068) - Retainer Weld
and **BH-7529-27** (OEM #S120075) - Pull Bar Drill

10	BH-7508-89	FC320	4	Wheel Chock
11	BH-7517-18	FC5342	1	Hydraulic Cylinder (Clevis Style)
12	BH-7501-62	FC542	1	Hydraulic Cylinder (2 Bolt Style)
13*	BH-7509-65	FC5293-1	1	Front Cross Member
14*	BH-7516-56	FC5445	1	Column
15	BH-7525-70	FC5179-4	5/8"	Push Nut



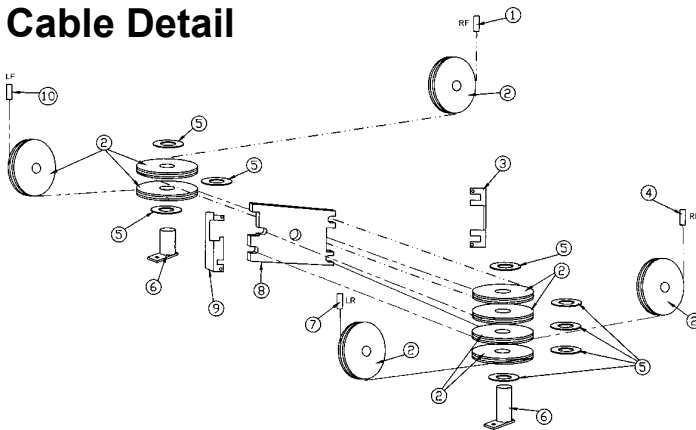
Item	SVI Part #	OEM#	Req	Description
16	BH-7504-25	FC526-3	2	Hinge Pin
17	F-CP-156-1000	41202		5/32" x 1" Cotter Pin
18	BH-7516-85	FC563	2	Wheel Stop Assembly
20*	call for details		1	Right Runway
22*	call for details		1	Left Runway
24	BH-7525-23	FC5142	2	Approach Ramp
25	BH-7525-22	FC5142-3	2	14" Ramp Slide
26	BH-7509-04	FC5287	4	Spacer

P
a
g
e
76



Model SM120

Cable Detail

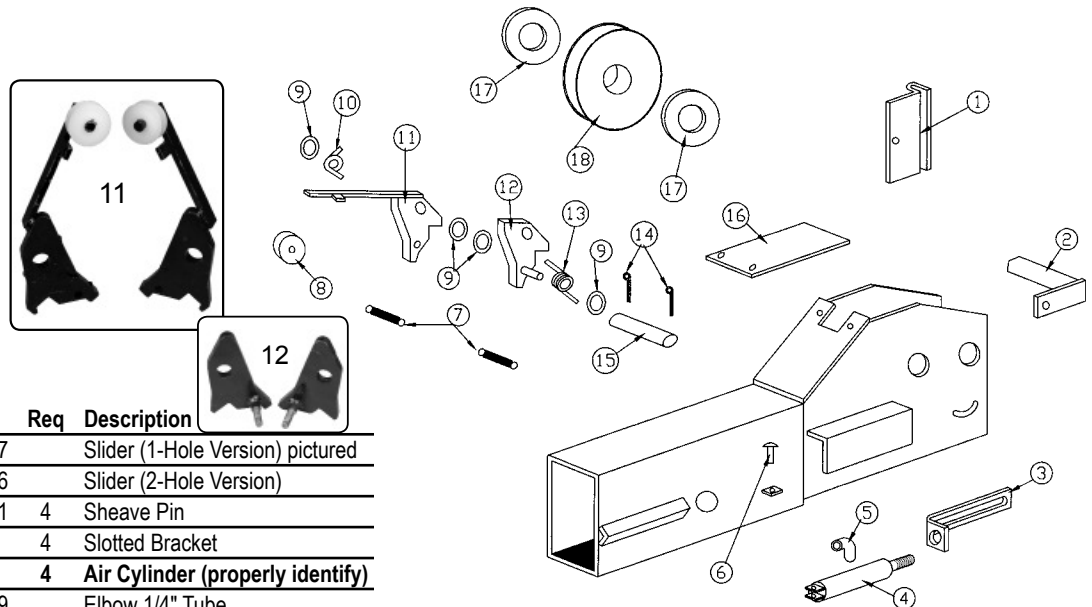


Item	SVI Part #	OEM#	Req	Description
	BH-7501-21	FC5513	1	Cable Kit incl: BH-7501-05, 06, 07, 08 (items 1, 4, 7, 10)
1	BH-7501-08	FC547	1	Right Front Cable
2	BH-7501-45	FC548	10	Cable Sheave
3**	BH-7501-89	FC543-2	1	Right Cable Retainer
4	BH-7501-06	FC545	1	Right Rear Cable
5	BH-7517-19	FC5346-2	7	Anti-Friction Washer
6	BH-7501-47	FC555-1	2	Sheave Pin
	BH-7501-47G1	FC555-1x	2	Greaseable Sheave Pin (1 hole at 2-3/8")
	BH-7501-47G1-C		2	Greaseable Sheave Pin (1 hole at 3-1/2")
	BH-7501-47G2	FC555-1x	2	Greaseable Sheave Pin (2 holes)
	BH-7501-47G4	FC555-1x	2	Greaseable Sheave Pin (4 holes)
7	BH-7501-05	FC544	1	Left Rear Cable
8**	BH-7529-20	FC543	1	Cable Plate
9**	BH-7501-90	FC543-3	1	Left Cable Retainer
10	BH-7501-07	FC546	1	Left Front Cable

****Replacing Items 3, 8 & 9: BH-7529-26 (OEM #S120068) - Retainer Weld and BH-7529-27 (OEM #S120075) - Pull Bar Drill**

Lock Detail

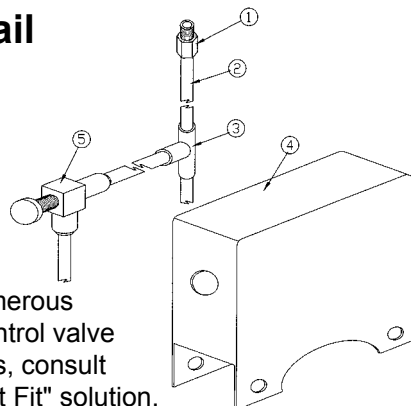
Various shapes and styles of air cylinders have been used over the years. Consult SVI for a "Direct-Fit" solution.



Item	SVI Part #	OEM#	Req	Description
1	BH-7508-99	FC5301-97		Slider (1-Hole Version) pictured
	BH-7517-31	FC5706-16		Slider (2-Hole Version)
2	BH-7501-44	FC5224-21	4	Sheave Pin
3	BH-7501-53B	FA2230-9	4	Slotted Bracket
4	BH-7501-53	FA2230-1	4	Air Cylinder (properly identify)
5	BH-7501-56	FC5224-39		Elbow 1/4" Tube
6	BH-7507-06	FA2230-12	4	Clevis Pin
7	BH-7501-61	FC522-25	8	Spring
8	BH-7517-24	FC553-21	4	Slack Cable Roller
9	BH-7510-15	FC5301-98		Washer
10	BH-7501-59R	FC5224-63	4	Right Spring
11	BH-7501-54/54R		2	RH/LH Slack Cable Lock Kit
12	BH-7501-60/60A		1	RH & LH Lock Pawl Kit

Item	SVI Part #	OEM#	Req	Description
13	BH-7501-59	FC5224-62	4	Left Spring
14	F-CP-125-1250			1/8" x 1-1/4" Cotter Pin
15	BH-7501-55	FC5224-17	4	Lock Shaft
16	BH-7516-76	FC553-10	4	Rubber Cover
17	BH-7516-59	FC548-5	8	Anti-Friction Washer .060 Thick
18	BH-7501-45	FC548		Sheave

Air Valve Detail



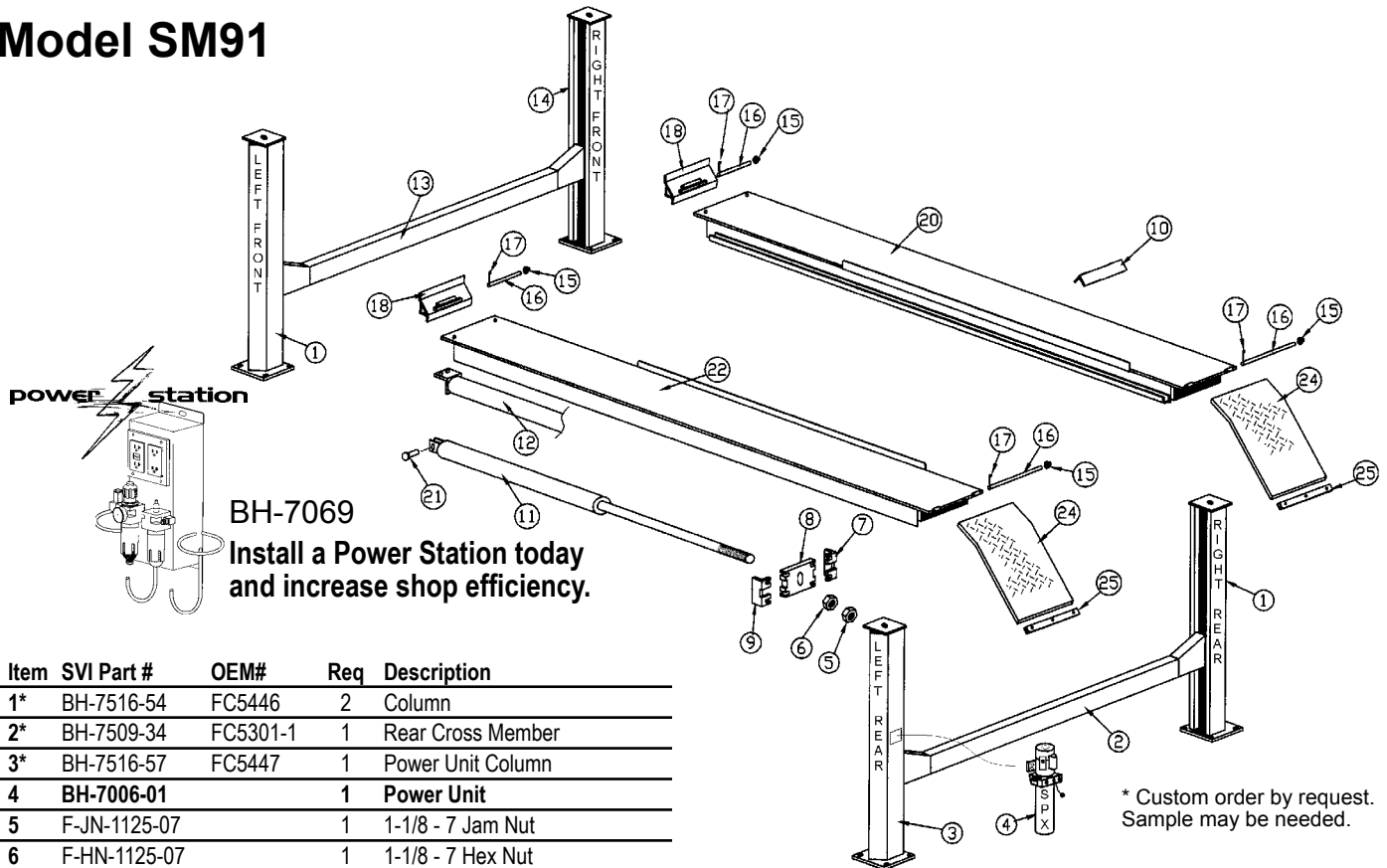
There have been numerous changes to the air control valve system over the years, consult SVI sales for a "Direct Fit" solution.

Models SM90 and SM120

Item	SVI Part #	OEM#	Description
1	BH-7507-03	FA3134-7	Connector 3/8" NPT to 3/8" Tube
2	BH-7507-02	FA2230-15	3/8" Tubing x 40' Roll
3	BH-7507-04	FA2242-1	Tee Union 3/8" Tube
4	BH-7514-11	FA3134-3	Air Valve Housing (some models)
5	BH-7514-20	FA3134-10	Air Valve



Model SM91



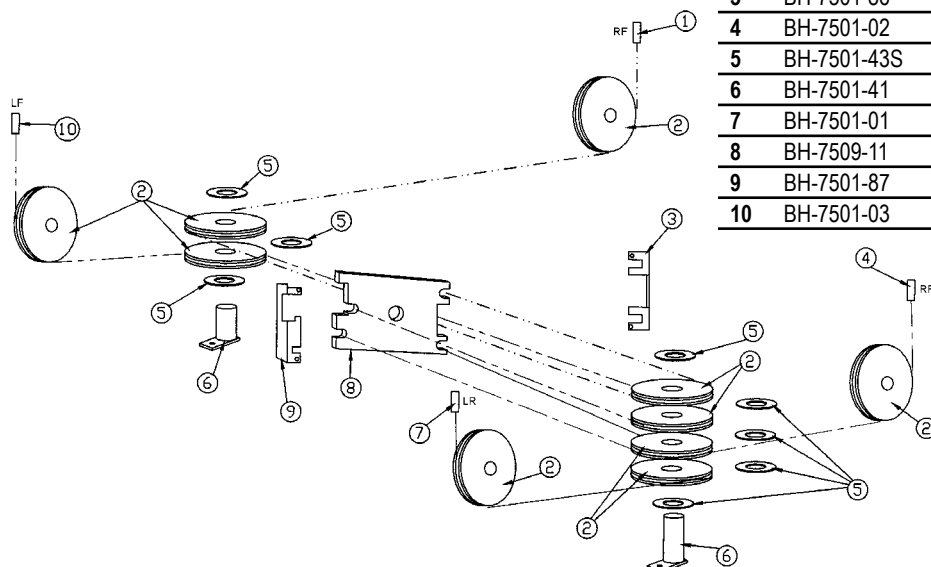
BH-7069
Install a Power Station today and increase shop efficiency.

Item	SVI Part #	OEM#	Req	Description
1*	BH-7516-54	FC5446	2	Column
2*	BH-7509-34	FC5301-1	1	Rear Cross Member
3*	BH-7516-57	FC5447	1	Power Unit Column
4	BH-7006-01		1	Power Unit
5	F-JN-1125-07		1	1-1/8 - 7 Jam Nut
6	F-HN-1125-07		1	1-1/8 - 7 Hex Nut
7	BH-7501-86	FC528-2	1	Right Cable Retainer
8	BH-7509-11	FC528	1	Cable Plate
9	BH-7501-87	FC528-3	1	Left Cable Retainer
10	BH-7508-89	FC320		Wheel Chock
11	BH-7517-17	FC5343	1	Hydraulic Cylinder (Clevis Style)
12	BH-7516-20	FC537	1	Hydraulic Cylinder (2 Bolt Style)
13*	call for details	FC5289-1	1	Front Cross Member
14*	BH-7516-56	FC5445	1	Column
15	BH-7525-70	FC5179-4		5/8" Push Nut

Item	SVI Part #	OEM#	Req	Description
16	BH-7517-78	FC134-99	2	Hinge Pin
17	F-CP-156-1000	41202		5/32" x 1" Cotter Pin
18	BH-7508-75	FC134-13	2	Wheel Stop Assembly
20*	call for details	FC5349	1	Right Runway
22*	call for details	FC5351	1	Left Runway
24	BH-7508-68	FC134-12	2	Approach Ramp
25	BH-7508-78	FC134-33	2	Ramp Slide
	BH-7508-78K	S100051		Ramp Slide KIT

* Custom order by request. Sample may be needed.

Cable Detail SM91

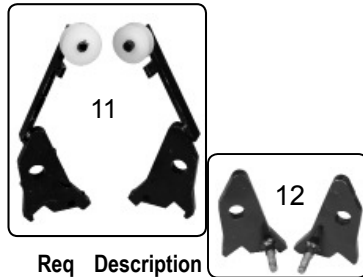


Item	SVI Part #	OEM#	Req	Description
1	BH-7501-04	FC519	1	Right Front Cable
2	BH-7501-40	FC522-5	10	Cable Sheave
3	BH-7501-86	FC528-2	1	Right Cable Retainer
4	BH-7501-02	FC517	1	Right Rear Cable
5	BH-7501-43S	FC522-70	7	Anti-Friction Washer .030 Thick
6	BH-7501-41	FC521-11	2	Sheave Pin
7	BH-7501-01	FC516	1	Left Rear Cable
8	BH-7509-11	FC528	1	Cable Plate
9	BH-7501-87	FC528-3	1	Left Cable Retainer
10	BH-7501-03	FC518	1	Left Front Cable

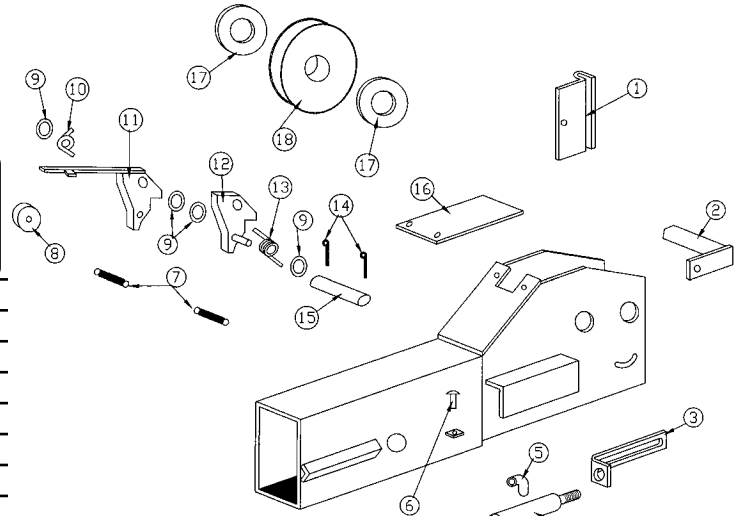
cont.



Model SM91

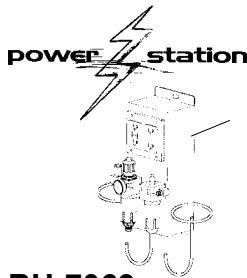


Item	SVI Part #	OEM#	Req	Description
1	BH-7508-99	FC5301-97		Slider (1-Hole Version) pictured
	BH-7517-31	FC5706-16		Slider (2-Hole Version)
2	BH-7501-39	FC522-34	4	Sheave Pin
3	BH-7501-53B	FA2230-9	4	Slotted Bracket
4	BH-7501-53	FA2230-1	4	Air Cylinder
5	BH-7501-56	FC5224-39		Elbow 1/4" Tube
6	BH-7507-06	FA2230-12	4	Clevis Pin
7	BH-7501-61	FC522-25	8	Spring
8	BH-7517-24	FC553-21	4	Slack Cable Roller
9	BH-7510-15	FC5301-98		Washer
10	BH-7501-59R	FC5224-63	4	Right Spring
11	BH-7501-54/54R		2	RH/LH Slack Cable Lock Kit
12	BH-7501-60/60A		1	RH & LH Lock Pawl Kit
13	BH-7501-59	FC5224-62	4	Left Spring



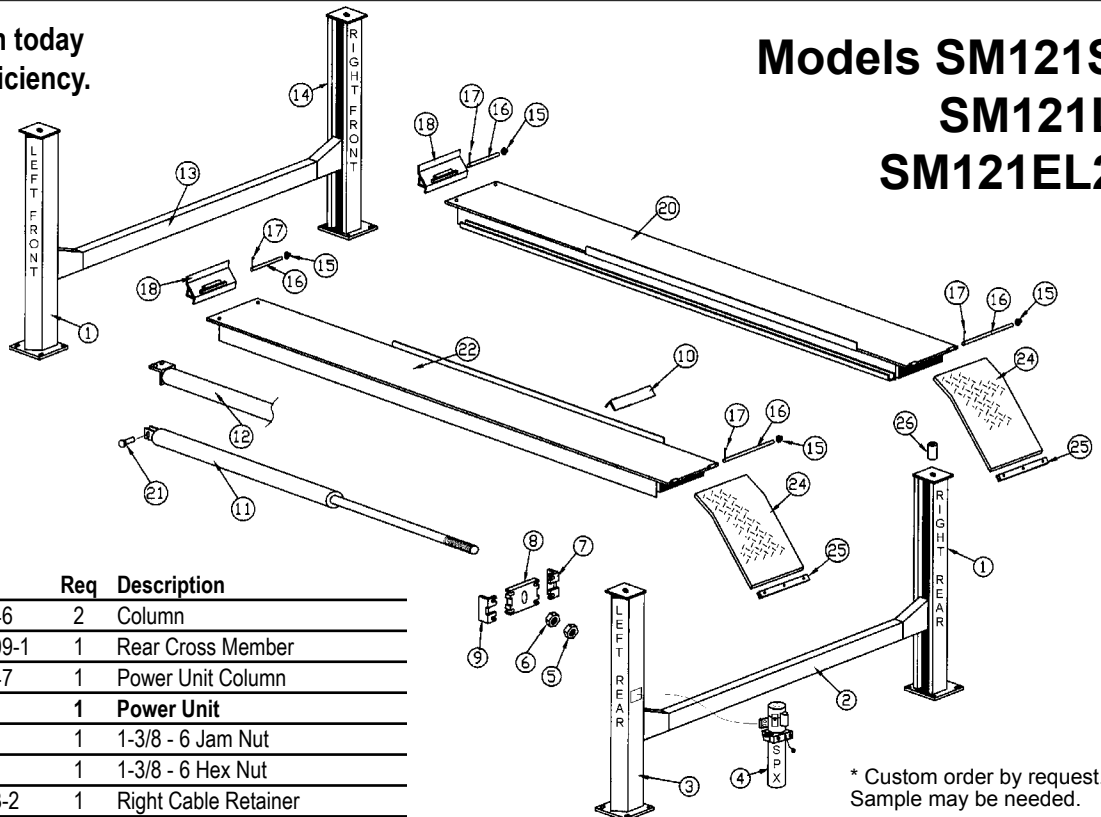
Item	SVI Part #	OEM#	Req	Description
14	F-CP-125-1250			1/8" x 1-1/4" Cotter Pin
15	BH-7501-55	FC5224-17	4	Lock Shaft
16	BH-7516-76	FC553-10	4	Rubber Cover
17	BH-7501-42S	FC522-69	8	Spacer UHMW .060 Thick
18	BH-7501-40	FC522-5		Cable Sheave

Install a Power Station today and increase shop efficiency.



BH-7069

Rapid Fire Response...



* Custom order by request. Sample may be needed.

Item	SVI Part #	OEM#	Req	Description
1*	BH-7516-54	FC5446	2	Column
2*	BH-7509-46	FC5309-1	1	Rear Cross Member
3*	BH-7516-57	FC5447	1	Power Unit Column
4	BH-7006-01		1	Power Unit
5	F-JN-1375-07	40773	1	1-3/8 - 6 Jam Nut
6	F-HN-1375-07	40771	1	1-3/8 - 6 Hex Nut
7**	BH-7501-89	FC543-2	1	Right Cable Retainer
8**	BH-7529-20	FC543	1	Cable Plate
9**	BH-7501-90	FC543-3	1	Left Cable Retainer
**Replacing Items 7-9: BH-7529-26 (OEM #S120068) - Retainer Weld and BH-7529-27 (OEM #S120075) - Pull Bar Drill				
10	BH-7508-89	FC320		Wheel Chock
11	BH-7517-18	FC5342	1	Hydraulic Cylinder (Clevis Style)
12	BH-7501-62	FC542	1	Hydraulic Cylinder (2 Bolt Style)
13*	BH-7509-09	FC5288-1	1	Front Cross Member
14*	BH-7516-56	FC5445	1	Column
15	BH-7525-70	FC5179-4	5/8"	Push Nut

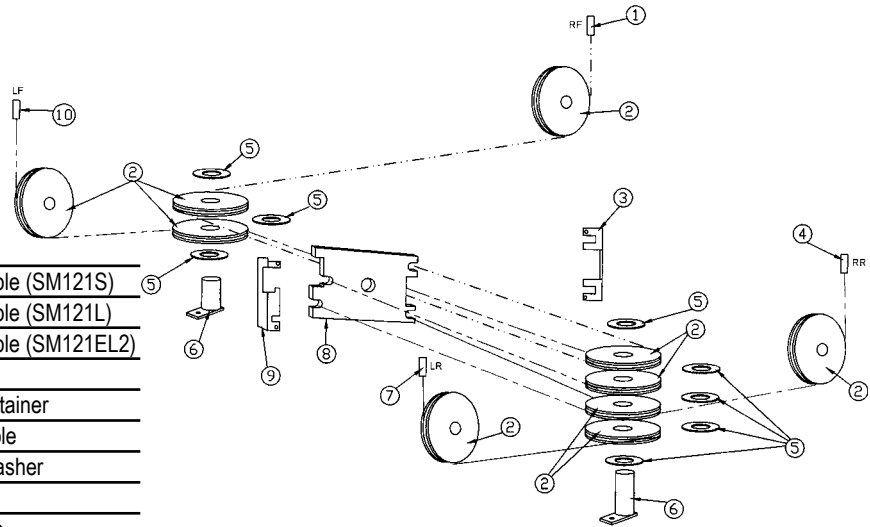
Item	SVI Part #	OEM#	Req	Description
16	BH-7504-25	FC526-3	2	Hinge Pin
17	F-CP-156-1000	41202		5/32" x 1" Cotter Pin
18	BH-7516-85	FC563	2	Wheel Stop Assembly
20*	call for details	various	1	Right Runway
22*	call for details	various	1	Left Runway
24	BH-7508-68	FC134-12	2	Approach Ramp
25	BH-7508-78	FC134-33	2	20" Ramp Slide
	BH-7508-78K	S100051		20" Ramp Slide KIT
26	BH-7509-04	FC5287	4	Spacer



Models SM121S SM121L & SM121EL2

Cable Detail

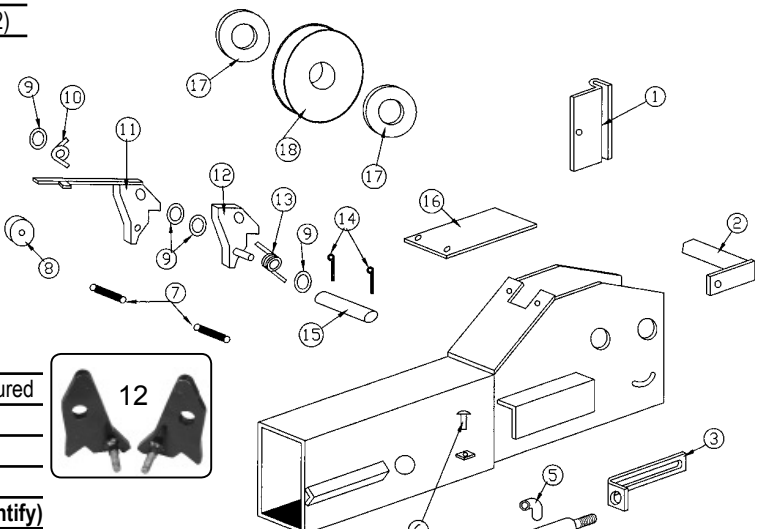
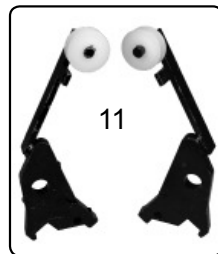
Item	SVI Part #	OEM#	Req	Description
1	BH-7501-31	FC5617	1	Right Front Cable (SM121S)
	BH-7501-08	FC547	1	Right Front Cable (SM121L)
	BH-7530-26	FC5551-12	1	Right Front Cable (SM121EL2)
2	BH-7501-45	FC548	10	Cable Sheave
3**	BH-7501-89	FC543-2	1	Right Cable Retainer
4	BH-7501-06	FC545	1	Right Rear Cable
5	BH-7517-19	FC5346-2	7	Anti-Friction Washer
6	BH-7501-47	FC555-1	2	Sheave Pin
7	BH-7501-05	FC544	1	Left Rear Cable
8**	BH-7529-20	FC543	1	Cable Plate
9**	BH-7501-90	FC543-3	1	Left Cable Retainer
10	BH-7501-31A	FC5618	1	Left Front Cable (SM121S)
	BH-7501-07	FC546	1	Left Front Cable (SM121L)
	BH-7530-25	FC5551-11	1	Left Front Cable (SM121EL2)



****Replacing Items 7-9: BH-7529-26 (OEM #S120068) - Retainer Weld and BH-7529-27 (OEM #S120075) - Pull Bar Drill**

Lock Detail

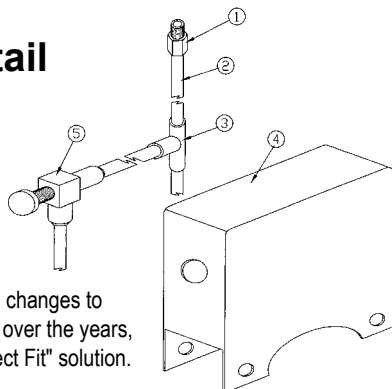
Various shapes and styles of air cylinders have been used over the years. Consult SVI for a "Direct Fit" solution.



Item	SVI Part #	OEM#	Req	Description
1	BH-7508-99	FC5301-97		Slider (1-Hole Version) pictured
	BH-7517-31	FC5706-16		Slider (2-Hole Version)
2	BH-7501-44	FC5224-21	4	Sheave Pin
3	BH-7501-53B	FA2230-9	4	Slotted Bracket
4	BH-7501-53	FA2230-1	4	Air Cylinder (properly identify)
5	BH-7501-56	FC5224-39		Elbow 1/4" Tube
6	BH-7507-06	FA2230-12	4	Clevis Pin
7	BH-7501-61	FC522-25	8	Spring
8	BH-7517-24	FC553-21	4	Slack Cable Roller
9	BH-7510-15	FC5301-98		Washer
10	BH-7501-59R	FC5224-63	4	Right Spring
11	BH-7501-54/54R		2	RH/LH Slack Cable Lock Kit
12	BH-7501-60/60A		1	RH & LH Lock Pawl Kit

Item	SVI Part #	OEM#	Req	Description
13	BH-7501-59	FC5224-62	4	Left Spring
14	F-CP-125-1250			1/8" x 1-1/4" Cotter Pin
15	BH-7501-55	FC5224-17	4	Lock Shaft
16	BH-7516-76	FC553-10	4	Rubber Cover
17	BH-7516-59	FC548-5	8	Spacer UHMW .060 Thick
18	BH-7501-45	FC548		Cable Sheave

Air Valve Detail

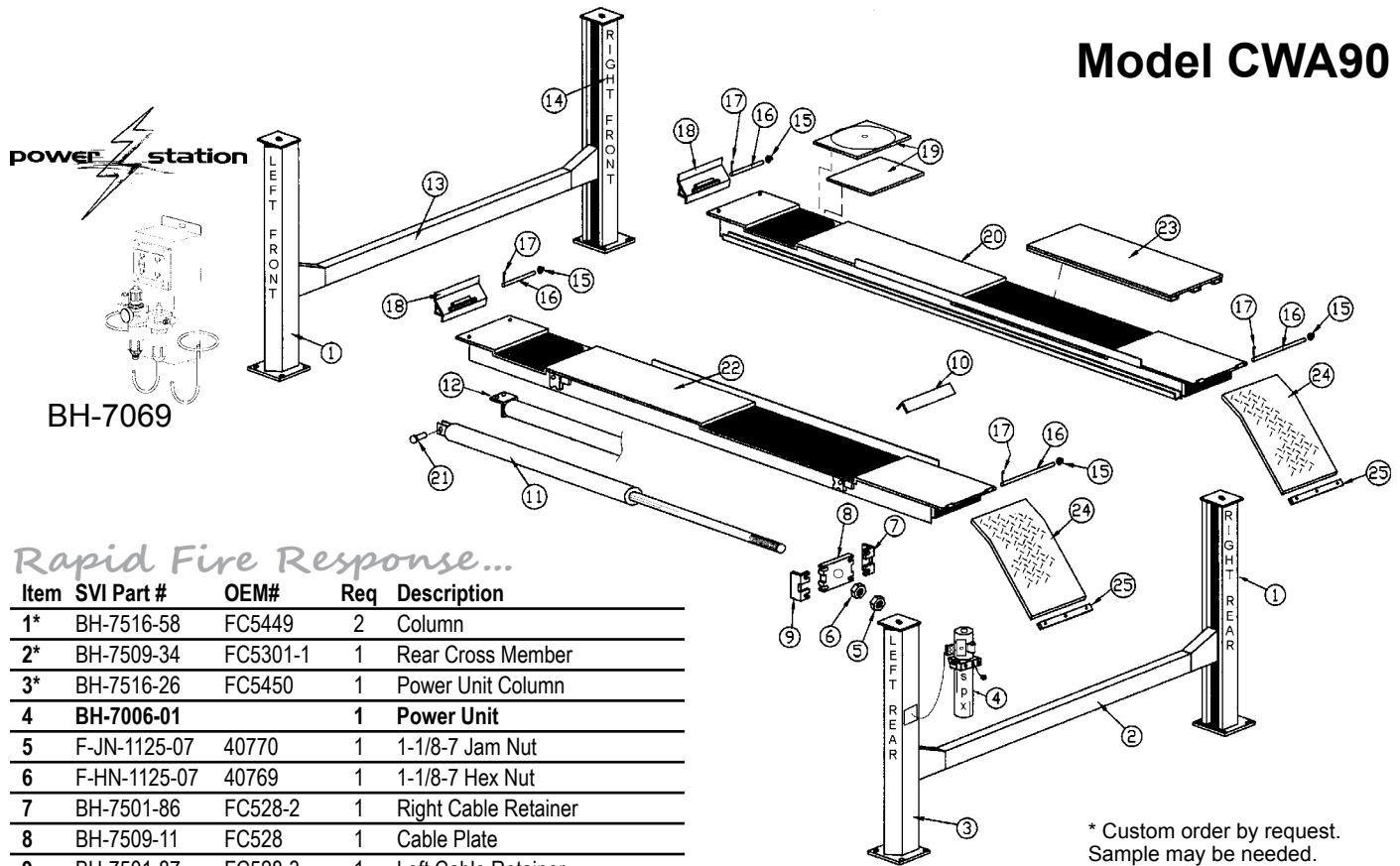


Models SM91, SM121S SM121L & SM121EL2

Item	SVI Part #	OEM#	Req	Description
1	BH-7507-03	FA3134-7		Connector 3/8" NPT to 3/8" Tube
2	BH-7507-02	FA2230-15		3/8" Tubing x 40' Roll
3	BH-7507-04	FA2242-1		Tee Union 3/8" Tube
4	BH-7514-11	FA3134-3		Air Valve Housing (some models)
5	BH-7514-20	FA3134-10		Air Valve

SVI is your answer!

Model CWA90

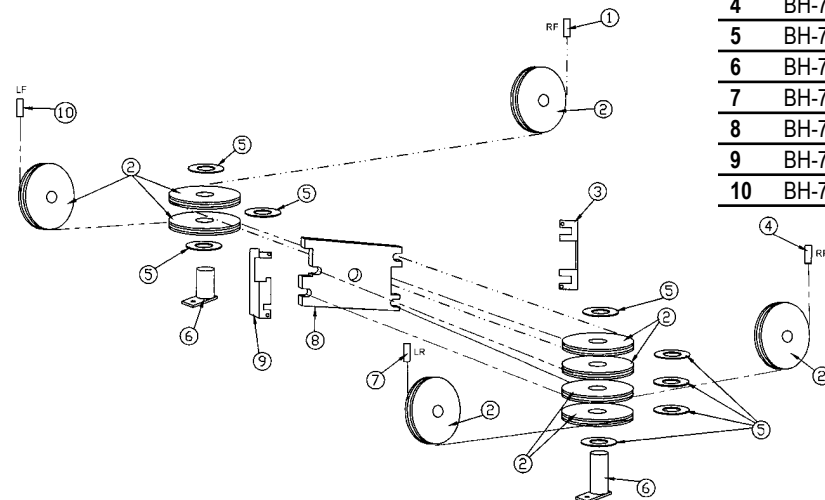


Rapid Fire Response...

Item	SVI Part #	OEM#	Req	Description
1*	BH-7516-58	FC5449	2	Column
2*	BH-7509-34	FC5301-1	1	Rear Cross Member
3*	BH-7516-26	FC5450	1	Power Unit Column
4	BH-7006-01		1	Power Unit
5	F-JN-1125-07	40770	1	1-1/8-7 Jam Nut
6	F-HN-1125-07	40769	1	1-1/8-7 Hex Nut
7	BH-7501-86	FC528-2	1	Right Cable Retainer
8	BH-7509-11	FC528	1	Cable Plate
9	BH-7501-87	FC528-3	1	Left Cable Retainer
10	BH-7508-89	FC320		Wheel Chock
11	BH-7517-17	FC5343	1	Hydraulic Cylinder (Clevis Style)
12	BH-7516-20	FC537	1	Hydraulic Cylinder (2 Bolt Style)
13*	call for details		1	Front Cross Member
14*	BH-7516-55	FC5448	1	Column
15	BH-7525-70	FC5179-4		5/8" Push Nut
16	BH-7517-78	FC134-99	2	Hinge Pin
17	F-CP-156-1000	41202		5/32" x 1" Cotter Pin
18	BH-7508-75	FC134-13	2	Wheel Stop Assembly

Item	SVI Part #	OEM#	Req	Description
19	BA-1504-06A	FC5102-01	2	Solid Runway Insert
	BA-1600-01		2	Turnplate Set 14-3/4" x 14"
20*	BH-7516-19	FC5362	1	Right Runway
22*	BH-7516-18	FC5364	1	Left Runway
23	BA-1504-08	FC5103-1	2	Solid Runway Insert
24	BH-7508-68	FC134-12	2	Approach Ramp
25	BH-7508-78	FC134-33	2	20" Ramp Slide
	BH-7508-78K	S100051		20" Ramp Slide KIT

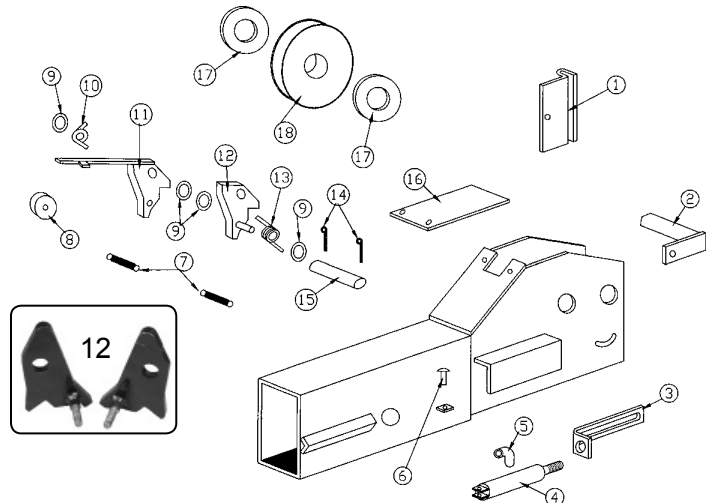
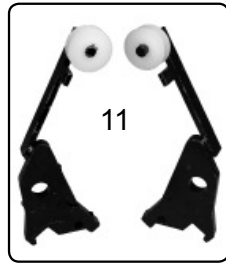
Cable Detail CWA90



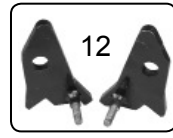
Item	SVI Part #	OEM#	Req	Description
	BH-7501-23	FC5512	1	Cable Kit incl: BH-7501-01, 02, 03, 04 (items 1, 4, 7, 10)
1	BH-7501-04	FC519	1	Right Front Cable
2	BH-7501-40	FC522-5	10	Cable Sheave
3	BH-7501-86	FC528-2	1	Right Cable Retainer
4	BH-7501-02	FC517	1	Right Rear Cable
5	BH-7501-43S	FC522-70	7	Spacer UHMW .030 Thick
6	BH-7501-41	FC521-11	2	Sheave Pin
7	BH-7501-01	FC516	1	Left Rear Cable
8	BH-7509-11	FC528	1	Cable Plate
9	BH-7501-87	FC528-3	1	Left Cable Retainer
10	BH-7501-03	FC518	1	Left Front Cable



Model CWA90 Lock Detail



Item	SVI Part #	OEM#	Req	Description
1	BH-7508-99	FC5301-97		Slider (1-Hole Version) pictured
	BH-7517-31	FC5706-16		Slider (2-Hole Version)
2	BH-7501-39	FC522-34	4	Sheave Pin
3	BH-7501-53B	FA2230-9	4	Slotted Bracket
4	BH-7501-53	FA2230-1	4	Air Cylinder
5	BH-7501-56	FC5224-39		Elbow 1/4" Tube
6	BH-7507-06	FA2230-12	4	Clevis Pin
7	BH-7501-61	FC522-25	8	Spring
8	BH-7517-24	FC553-21	4	Slack Cable Roller
9	BH-7510-15	FC5301-98		Washer
10	BH-7501-59R	FC5224-63	4	Right Spring
11	BH-7501-54/54R		2	RH/LH Slack Cable Lock Kit
12	BH-7501-60/60A		1	RH & LH Lock Pawl Kit



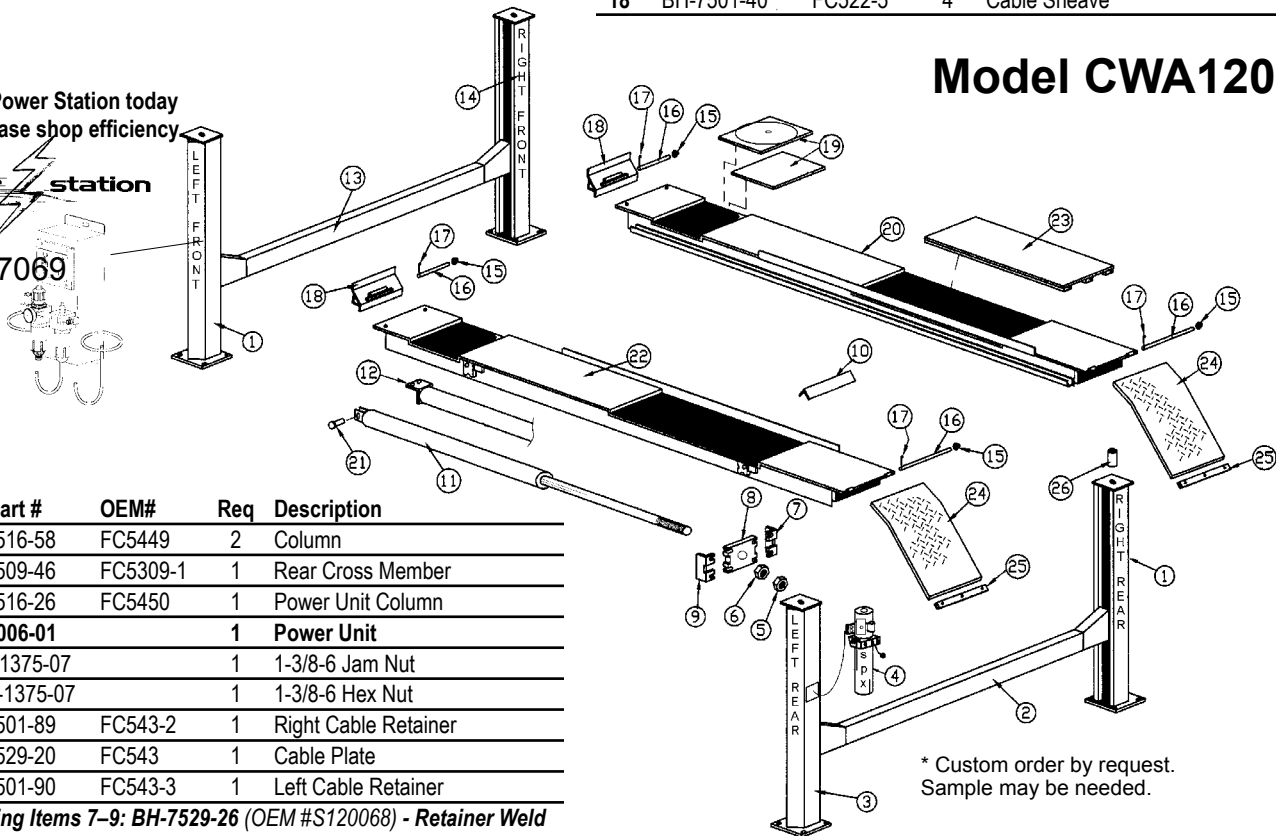
Item	SVI Part #	OEM#	Req	Description
13	BH-7501-59	FC5224-62	4	Left Spring
14	F-CP-125-1250			1/8" x 1-1/4" Cotter Pin
15	BH-7501-55	FC5224-17	4	Lock Shaft
16	BH-7516-76	FC553-10	4	Rubber Cover
17	BH-7501-42S	FC522-69	8	Spacer UHMW .060 Thick
18	BH-7501-40	FC522-5	4	Cable Sheave

Model CWA120

Install a Power Station today and increase shop efficiency

power station

BH-7069



* Custom order by request. Sample may be needed.

Item	SVI Part #	OEM#	Req	Description
1*	BH-7516-58	FC5449	2	Column
2*	BH-7509-46	FC5309-1	1	Rear Cross Member
3	BH-7516-26	FC5450	1	Power Unit Column
4	BH-7006-01		1	Power Unit
5	F-JN-1375-07		1	1-3/8-6 Jam Nut
6	F-HN-1375-07		1	1-3/8-6 Hex Nut
7**	BH-7501-89	FC543-2	1	Right Cable Retainer
8**	BH-7529-20	FC543	1	Cable Plate
9**	BH-7501-90	FC543-3	1	Left Cable Retainer

Replacing Items 7-9: **BH-7529-26 (OEM #S120068) - Retainer Weld and **BH-7529-27** (OEM #S120075) - Pull Bar Drill

10	BH-7508-89	FC320		Wheel Chock
11	BH-7517-18	FC5342	1	Hydraulic Cylinder (Clevis Style)
12	BH-7501-62	FC542	1	Hydraulic Cylinder (2 Bolt Style)
13*	BH-7509-09	FC5288-1	1	Front Cross Member
14*	BH-7516-55	FC5448	1	Column
15	BH-7525-70	FC5179-4		5/8" Push Nut
16	BH-7517-78	FC134-99	2	Hinge Pin
17	F-CP-156-1000	41202		5/32" x 1" Cotter Pin
18	BH-7508-75	FC134-13	2	Wheel Stop Assembly

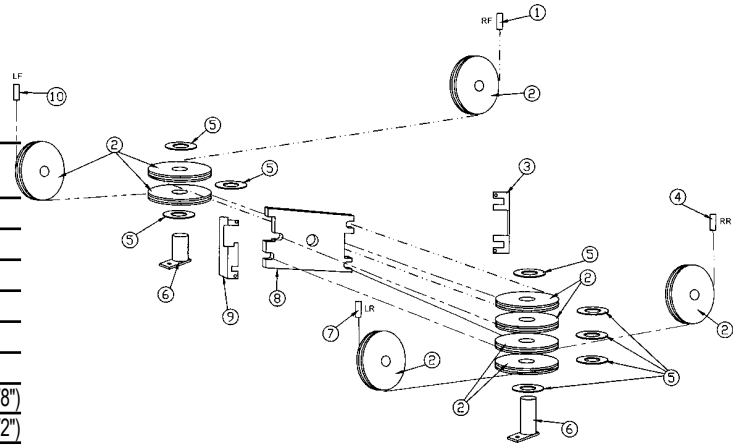
Item	SVI Part #	OEM#	Req	Description
19	BA-1504-06A	FC5102-01	2	Solid Runway Insert
	BA-1600-01		2	Turnplate Set 14-3/4" x 14"
20*	call for details	FC5381	1	Right Runway
22*	call for details	FC5383	1	Left Runway
23	BA-1504-08	FC5103-1	2	Solid Runway Insert
24	BH-7508-68	FC134-12	2	Approach Ramp
25	BH-7508-78	FC134-33	2	20" Ramp Slide
	BH-7508-78K	S100051		20" Ramp Slide KIT
26	BH-7509-04	FC5287	4	Spacer

Model CWA120

Cable Detail

Item	SVI Part #	OEM#	Req	Description
	BH-7501-21	FC5513	1	Cable Kit incl: BH-7501-05, 06, 07, 08 (items 1, 4, 7, 10)
1	BH-7501-08	FC547	1	Right Front Cable
2	BH-7501-45	FC548	10	Cable Sheave
3**	BH-7501-89	FC543-2	1	Right Cable Retainer
4	BH-7501-06	FC545	1	Right Rear Cable
5	BH-7517-19	FC5346-2	7	Anti-Friction Washer
6	BH-7501-47	FC555-1	2	Sheave Pin
	BH-7501-47G1	FC555-1x	2	Greaseable Sheave Pin (1 hole at 2-3/8")
	BH-7501-47G1-C		2	Greaseable Sheave Pin (1 hole at 3-1/2")
	BH-7501-47G2	FC555-1x	2	Greaseable Sheave Pin (2 holes)
	BH-7501-47G4	FC555-1x	2	Greaseable Sheave Pin (4 holes)
7	BH-7501-05	FC544	1	Left Rear Cable
8**	BH-7529-20	FC543	1	Cable Plate
9**	BH-7501-90	FC543-3	1	Left Cable Retainer
10	BH-7501-07	FC546	1	Left Front Cable

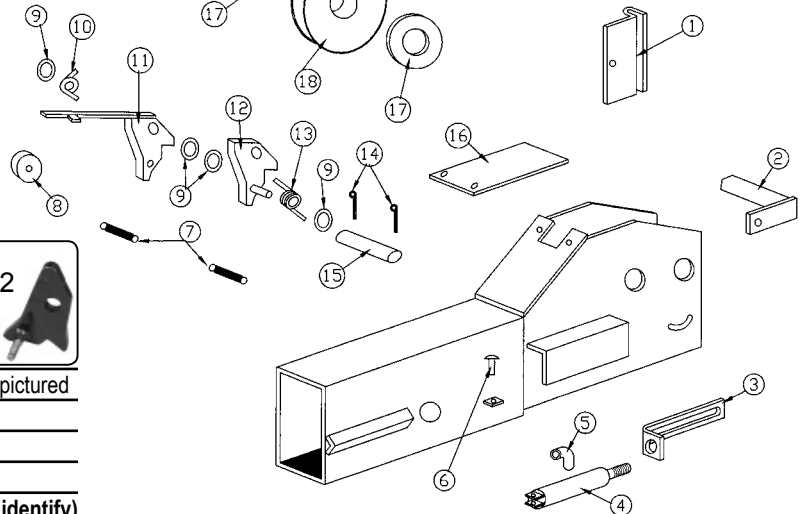
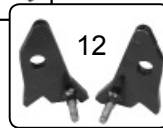
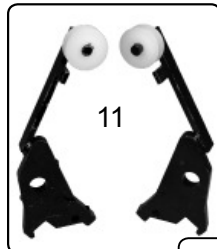
**Replacing Items 3, 8 & 9: BH-7529-26 (OEM #S120068) - Retainer Weld and BH-7529-27 (OEM #S120075) - Pull Bar Drill



Lock Detail



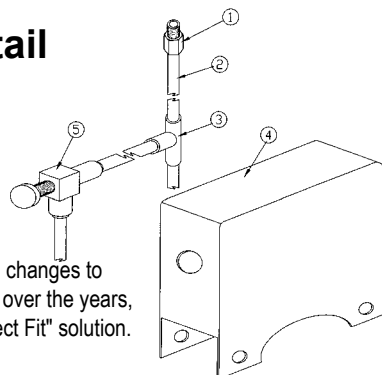
Numerous styles and shapes of air cylinders have been used over the years; consult SVI sales for a "Direct Fit" solution.



Item	SVI Part #	OEM#	Req	Description
1	BH-7508-99	FC5301-97		Slider (1-Hole Version) pictured
	BH-7517-31	FC5706-16		Slider (2-Hole Version)
2	BH-7501-44	FC5224-21	4	Sheave Pin
3	BH-7501-53B	FA2230-9	4	Slotted Bracket
4	BH-7501-53	FA2230-1	4	Air Cylinder (properly identify)
5	BH-7501-56	FC5224-39		Elbow 1/4" Tube
6	BH-7507-06	FA2230-12	4	Clevis Pin
7	BH-7501-61	FC522-25	8	Spring
8	BH-7517-24	FC553-21	4	Slack Cable Roller
9	BH-7510-15	FC5301-98		Washer
10	BH-7501-59R	FC5224-63	4	Right Spring
11	BH-7501-54/54R		2	RH/LH Slack Cable Lock Kit
12	BH-7501-60/60A		1	RH & LH Lock Pawl Kit

Item	SVI Part #	OEM#	Req	Description
13	BH-7501-59	FC5224-62	4	Left Spring
14	F-CP-125-1250			1/8" x 1-1/4" Cotter Pin
15	BH-7501-55	FC5224-17	4	Lock Shaft
16	BH-7516-76	FC553-10	4	Rubber Cover
17	BH-7516-59	FC548-5	8	Spacer UHMW .060 Thick
18	BH-7501-45	FC548	4	Cable Sheave

Air Valve Detail



There have been numerous changes to the air control valve system over the years, consult SVI sales for a "Direct Fit" solution.

Models CWA90 and CWA120

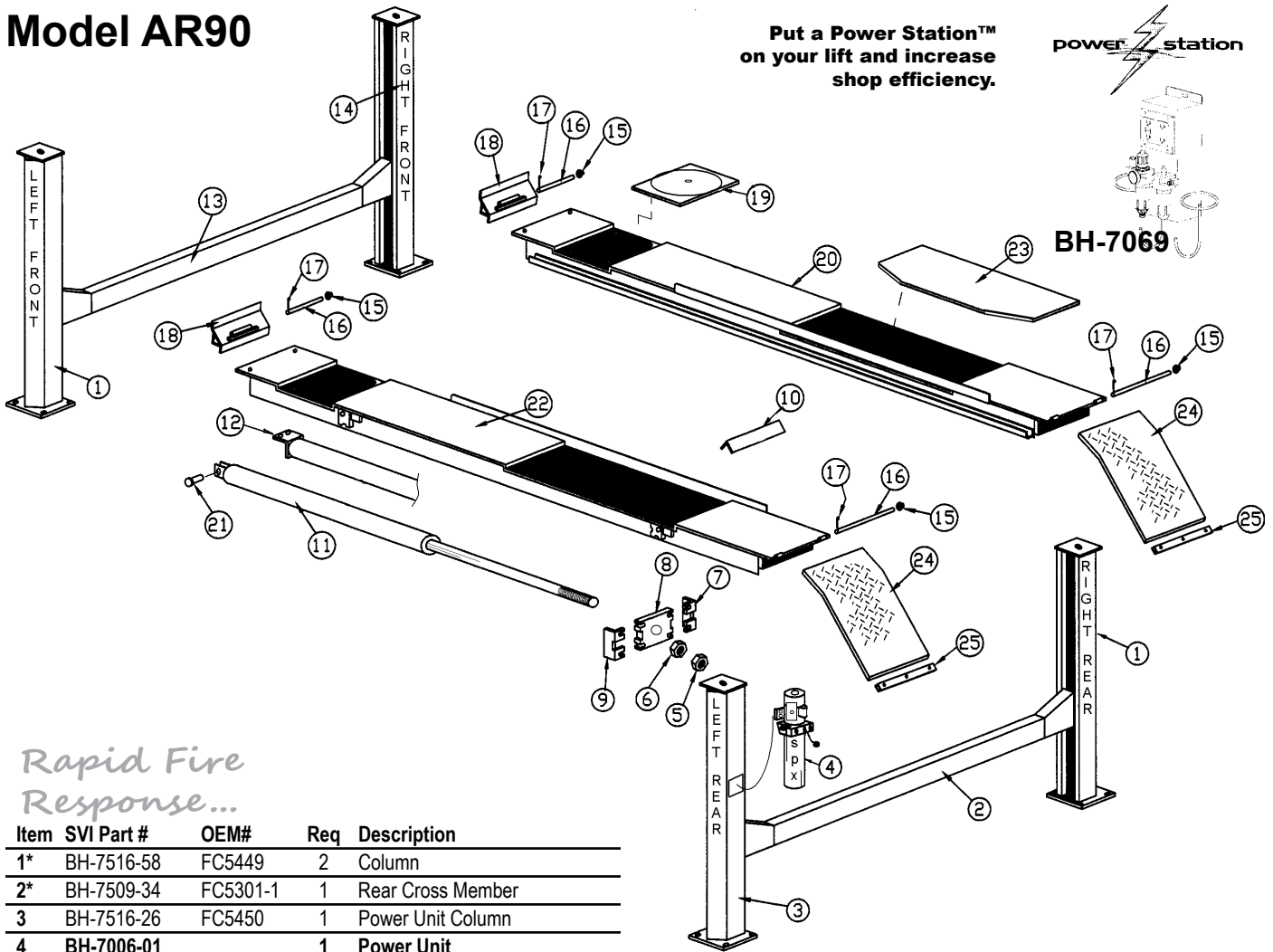
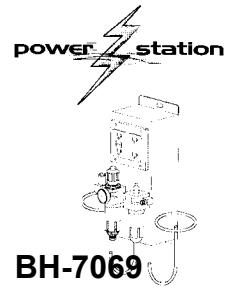
Item	SVI Part #	OEM#	Req	Description
1	BH-7507-03	FA3134-7		Connector 3/8" NPT to 3/8" Tube
2	BH-7507-02	FA2230-15		3/8" Tubing x 40' Roll
3	BH-7507-04	FA2242-1		Tee Union 3/8" Tube
4	BH-7514-11	FA3134-3		Air Valve Housing (some models)
5	BH-7514-20	FA3134-10		Air Valve

SVI is your answer!



Model AR90

Put a Power Station™ on your lift and increase shop efficiency.



Rapid Fire Response...

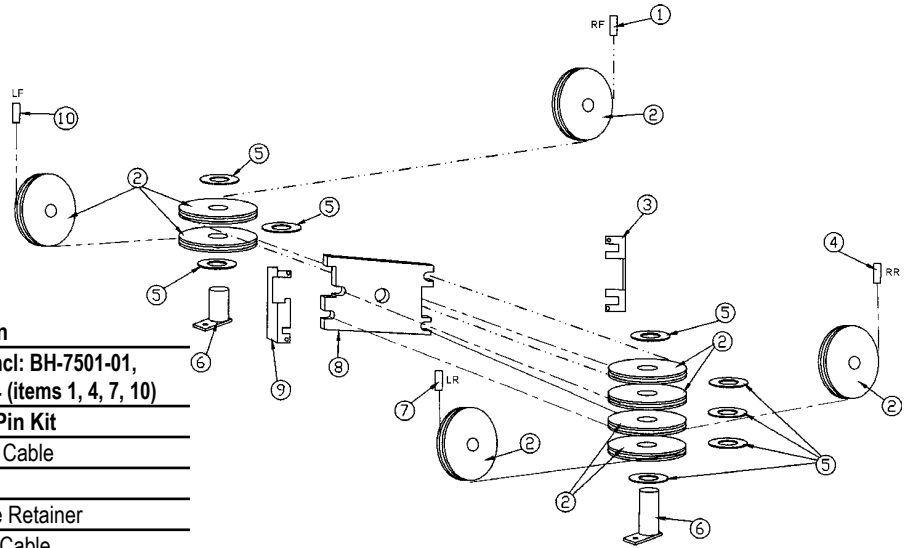
Item	SVI Part #	OEM#	Req	Description
1*	BH-7516-58	FC5449	2	Column
2*	BH-7509-34	FC5301-1	1	Rear Cross Member
3	BH-7516-26	FC5450	1	Power Unit Column
4	BH-7006-01		1	Power Unit
5	F-JN-1125-07		1	1-1/8-7 Jam Nut
6	F-HN-1125-07		1	1-1/8-7 Hex Nut
7	BH-7501-86	FC528-2	1	Right Cable Retainer
8	BH-7509-11	FC528	1	Cable Plate
9	BH-7501-87	FC528-3	1	Left Cable Retainer
10	BH-7508-89	FC320		Wheel Chock
11	BH-7517-17	FC5343	1	Hydraulic Cylinder (Clevis Style)
12	BH-7516-20	FC537	1	Hydraulic Cylinder (2 Bolt Style)
13*	BH-7508-98	FC5302	1	Front Cross Member
14*	BH-7516-55	FC5448	1	Column
15	BH-7525-70	FC5179-4		5/8" Push Nut
16	BH-7517-78	FC134-99	2	Hinge Pin
17	F-CP-156-1000	41202		5/32" x 1" Cotter Pin
18	BH-7508-75	FC134-13	2	Wheel Stop Assembly

* Custom order by request. Sample may be needed.

Item	SVI Part #	OEM#	Req	Description
19	BA-1600-01		1	Turnplate Set 14-3/4" x 14"
20*	BH-7516-19	FC5362	1	Right Runway
22*	BH-7516-18	FC5364	1	Left Runway
23	see breakdown			Rear Slip Plate Parts
24	BH-7508-68	FC134-12	2	Approach Ramp
25	BH-7508-78	FC134-33	2	20" Ramp Slide
	BH-7508-78K	S100051		20" Ramp Slide KIT
KIT	BH-7516-29	FC5518		Sheave & Pin Kit

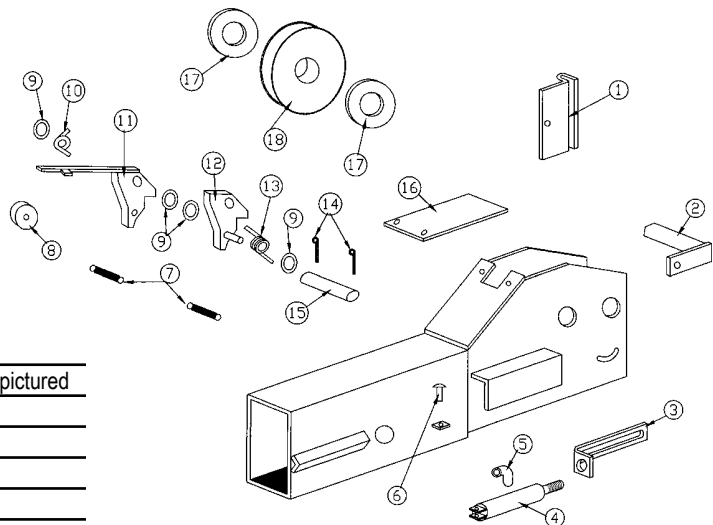
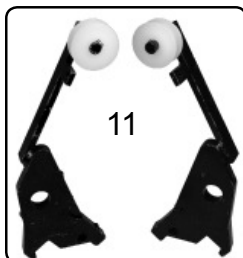
Model AR90

Cable Detail AR90



Item	SVI Part #	OEM#	Req	Description
KIT	BH-7501-23	FC5512	1	Cable Kit incl: BH-7501-01, -02, -03, -04 (items 1, 4, 7, 10)
KIT	BH-7516-29	FC5518		Sheave & Pin Kit
1	BH-7501-04	FC519	1	Right Front Cable
2	BH-7501-40	FC522-5	10	Sheave
3	BH-7501-86	FC528-2	1	Right Cable Retainer
4	BH-7501-02	FC517	1	Right Rear Cable
5	BH-7501-43S	FC522-70	7	Anti-Friction Washer .030 Thick
6	BH-7501-41	FC521-11	2	Sheave Pin
7	BH-7501-01	FC516	1	Left Rear Cable
8	BH-7509-11	FC528	1	Cable Plate
9	BH-7501-87	FC528-3	1	Left Cable Retainer
10	BH-7501-03	FC518	1	Left Front Cable

Lock Detail

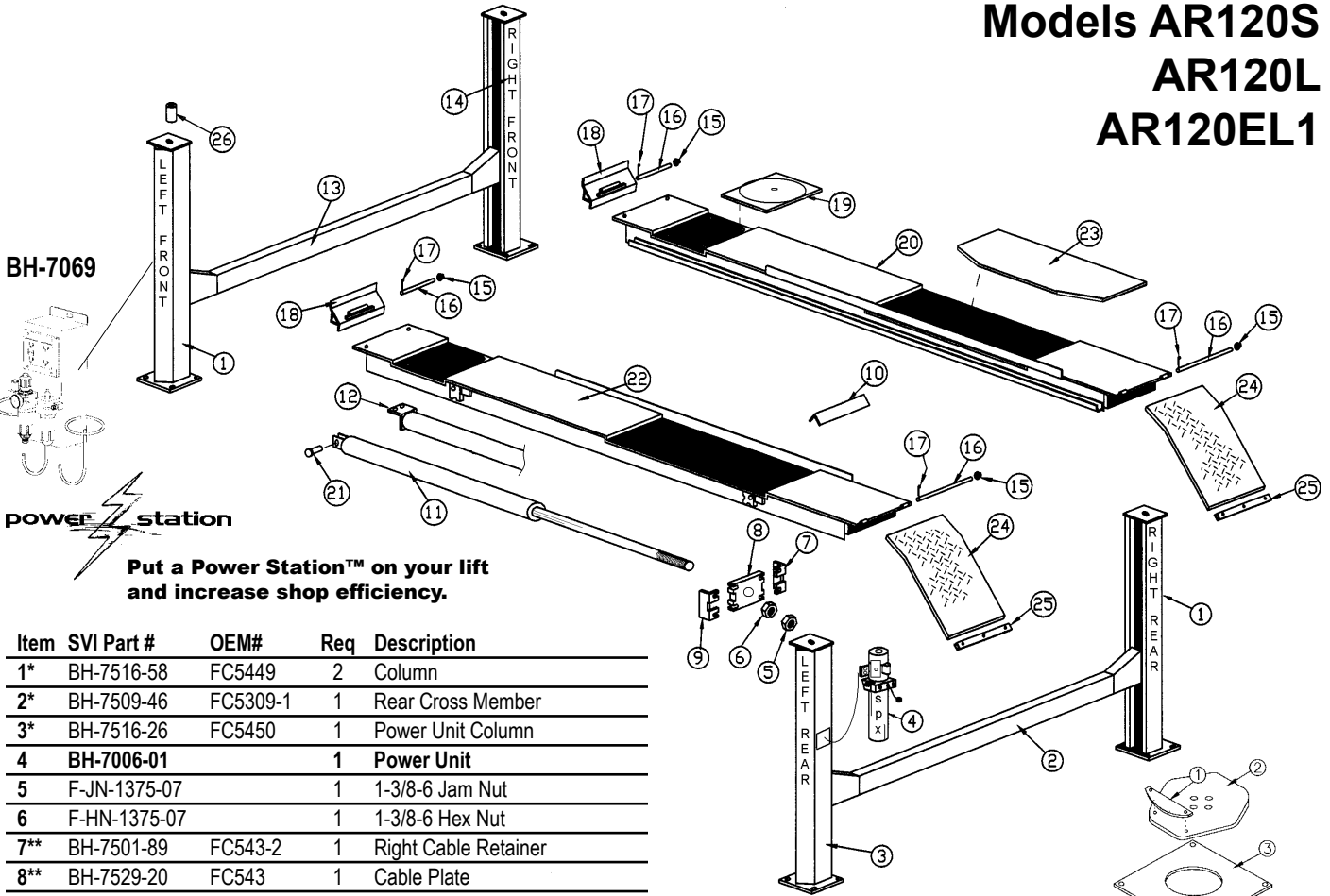


Item	SVI Part #	OEM#	Req	Description
1	BH-7508-99	FC5301-97		Slider (1-Hole Version) pictured
	BH-7517-31	FC5706-16		Slider (2-Hole Version)
2	BH-7501-39	FC522-34	4	Sheave Pin
3	BH-7501-53B	FA2230-9	4	Slotted Bracket
4	BH-7501-53	FA2230-1	4	Air Cylinder
5	BH-7501-56	FC5224-39		Elbow 1/4" Tube
6	BH-7507-06	FA2230-12	4	Clevis Pin
7	BH-7501-61	FC522-25	8	Spring
8	BH-7517-24	FC553-21	4	Slack Cable Roller
9	BH-7510-15	FC5301-98		Washer
10	BH-7501-59R	FC5224-63	4	Right Spring
11	BH-7501-54/54R		2	RH/LH Slack Cable Lock Kit
12	BH-7501-60/60A		1	RH & LH Lock Pawl Kit

Item	SVI Part #	OEM#	Req	Description
13	BH-7501-59	FC5224-62	4	Left Spring
14	F-CP-125-1250			1/8" x 1-1/4" Cotter Pin
15	BH-7501-55	FC5224-17	4	Lock Shaft
16	BH-7516-76	FC553-10	4	Rubber Cover
17	BH-7501-42S	FC522-69	8	Anti-Friction Washer .060 Thick
18	BH-7501-4	FC522-5		Sheave



Models AR120S
AR120L
AR120EL1



Put a Power Station™ on your lift and increase shop efficiency.

Item	SVI Part #	OEM#	Req	Description
1*	BH-7516-58	FC5449	2	Column
2*	BH-7509-46	FC5309-1	1	Rear Cross Member
3*	BH-7516-26	FC5450	1	Power Unit Column
4	BH-7006-01		1	Power Unit
5	F-JN-1375-07		1	1-3/8-6 Jam Nut
6	F-HN-1375-07		1	1-3/8-6 Hex Nut
7**	BH-7501-89	FC543-2	1	Right Cable Retainer
8**	BH-7529-20	FC543	1	Cable Plate
9**	BH-7501-90	FC543-3	1	Left Cable Retainer

**Replacing Items 7-9: BH-7529-26 (OEM #S120068) - Retainer Weld and BH-7529-27 (OEM #S120075) - Pull Bar Drill

10	BH-7508-89	FC320		Wheel Chock
11	BH-7517-18	FC5342	1	Hydraulic Cylinder (Clevis Style)
12	BH-7501-62	FC542	1	Hydraulic Cylinder (2 Bolt Style)
13*	BH-7509-09	FC5288-1	1	Front Cross Member
14*	BH-7516-55	FC5448	1	Column
15	BH-7525-70	FC5179-4		5/8" Push Nut
16	BH-7517-78	FC134-99	2	Hinge Pin
17	F-CP-156-1000			5/32" x 1" Cotter Pin
18	BH-7508-75	FC134-13	2	Wheel Stop Assembly
19	BA-1504-06A	FC5102-01	2	Solid Runway Insert
	BA-1600-01		2	Turnplate Set 14-3/4" x 14"
20*	call for details		1	Right Runway
22*	call for details		1	Left Runway
23	see breakdown			Rear Slip Plate Parts
24	BH-7508-68	FC134-12	2	Approach Ramp
25	BH-7508-78	FC134-33	2	20" Ramp Slide
	BH-7508-78K	S100051		20" Ramp Slide KIT
26	BH-7509-04	FC5287	4	Spacer

* Custom order by request. Sample may be needed.

Recondition/repair existing turnplate assemblies with parts listed or purchase a BA-1600-01 for easy, direct replacement of the entire turnplate assembly.

Item	SVI Part #	OEM#	Req	Description
1	n/a	NP142	1	Degree Plate
2	BA-1505-09	FC5105-9	1	Top Turntable Hex Plate
3	BA-1505-08	FC5105-8	1	Top Fixed Plate
4	BA-1505-07	FC5105-7	1	Short Roller Retainer Cage
5	BA-1505-06	FC5105-6		Short Roller
6	BA-1505-05	FC5105-5	1	Pointer Plate Assembly
7	BA-1505-02	FC5105-2		Long Roller
8	BA-1505-03	FC5105-3	2	Long Roller Retainer Cage
9	BA-1505-04	FC5105-4	1	Divider Plate
10	BA-1505-01	FC5105-1	1	Bottom Plate
--	BA-1505-30			Radius Gauge Rebuild Kit

SVI Part #	Description
BA-1600-01	14-3/4" x 14" Alignment Turnplate Set
BA-1600-04SS	14-3/4" x 14" Alignment Turnplate Set-Stainless Steel

Sheave and Pin Kits for Your Rotary Models: AR120, AR122, SM101, SM120, SM122 and QL4P

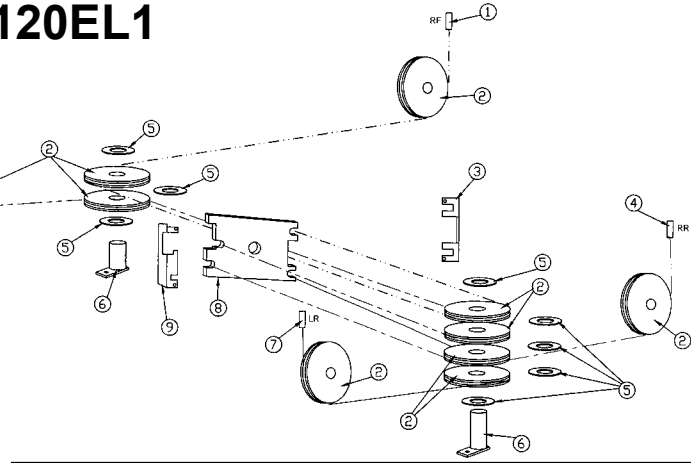
Item	SVI Part #	OEM#	Description
1	BH-7501-57	FC5516	Sheave and Pin Replacement KIT
2	BH-7516-05	FC5522	Crossmember Sheave & Pin KIT
3	BH-7516-28	FC5519	Runway Sheave & Pin KIT

Models AR120S, AR120L & AR120EL1

Cable Detail

Item	SVI Part #	OEM#	Req	Description
1	BH-7501-31	FC5617	1	Right Front Cable (AR120S)
	BH-7501-08	FC547	1	Right Front Cable (AR120L)
	BH-7501-48	FC5647-1	1	Right Front Cable (AR120EL1)
2	BH-7501-45	FC548	10	Sheave
3**	BH-7501-89	FC543-2	1	Right Cable Retainer
4	BH-7501-06	FC545	1	Right Rear Cable
5	BH-7517-19	FC5346-2	7	Anti-Friction Washer .030 Thick
6	BH-7501-47	FC555-1	2	Sheave Pin
	BH-7501-47G1	FC555-1x	2	Greaseable Sheave Pin (1 hole at 2-3/8")
	BH-7501-47G1-C		2	Greaseable Sheave Pin (1 hole at 3-1/2")
	BH-7501-47G2	FC555-1x	2	Greaseable Sheave Pin (2 holes)
	BH-7501-47G4	FC555-1x	2	Greaseable Sheave Pin (4 holes)
7	BH-7501-05	FC544	1	Left Rear Cable
8**	BH-7529-20	FC543	1	Cable Plate
9**	BH-7501-90	FC543-3	1	Left Cable Retainer
10	BH-7501-31A	FC5618	1	Left Front Cable (AR120S)
	BH-7501-07	FC546	1	Left Front Cable (AR120L)
	BH-7501-49	FC5647-2	1	Left Front Cable (AR120EL1)

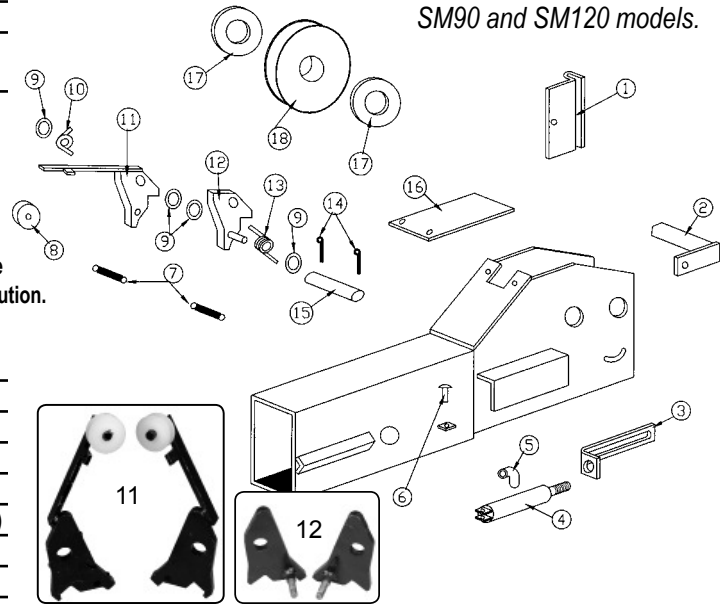
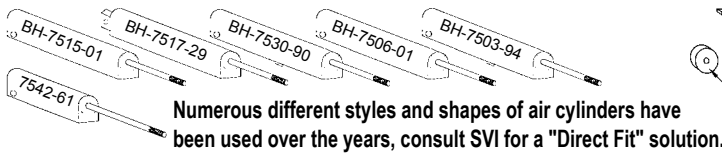
**Replacing Items 3, 8 & 9: BH-7529-26 (OEM #S120068) - Retainer Weld and BH-7529-27 (OEM #S120075) - Pull Bar Drill



BH-7501-21	FC5513	1	Cable Kit incl: BH-7501-05, 06, 07, 08 (items 1, 4, 7, 10) (for AR120L)
------------	--------	---	---

For air lock valve detail, please see parts for SM90 and SM120 models.

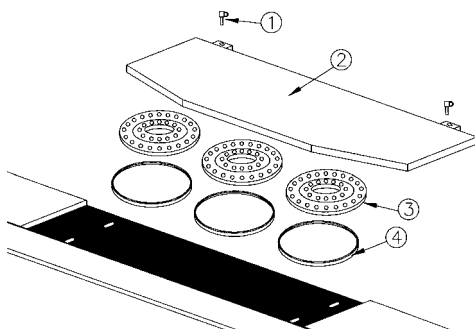
Lock Detail



Item	SVI Part #	OEM#	Req	Description
1	BH-7508-99	FC5301-97		Slider (1-Hole Version) pictured
	BH-7517-31	FC5706-16		Slider (2-Hole Version)
2	BH-7501-44	FC5224-21	4	Sheave Pin
3	BH-7501-53B	FA2230-9	4	Slotted Bracket
4	BH-7501-53	FA2230-1	4	Air Cylinder (properly identify)
5	BH-7501-56	FC5224-39		Elbow 1/4" Tube
6	BH-7507-06	FA2230-12	4	Clevis Pin
7	BH-7501-61	FC522-25	8	Extension Spring
8	BH-7517-24	FC553-21	4	Slack Cable Roller
9	BH-7510-15	FC5301-98		Washer
10	BH-7501-59R	FC5224-63	4	RH Secondary Torsion Spring
	BH-7501-59	FC5224-62	4	LH Secondary Torsion Spring
11	BH-7501-54/54R		2	RH/LH Slack Cable Lock Kit
12	BH-7501-60/60A		1	RH & LH Lock Pawl Kit

Item	SVI Part #	OEM#	Req	Description
13	BH-7510-17	FC5224-84	4	LH Primary Torsion Spring
	BH-7526-73	FC5224-85	4	RH Primary Torsion Spring
14	F-CP-125-1250			1/8" x 1-1/4" Cotter Pin
15	BH-7501-55	FC5224-17	4	Lock Shaft
16	BH-7516-76	FC553-10	4	Rubber Cover
17	BH-7516-59	FC548-5	8	Anti-Friction Washer .060 Thick
18	BH-7501-45	FC548		Sheave

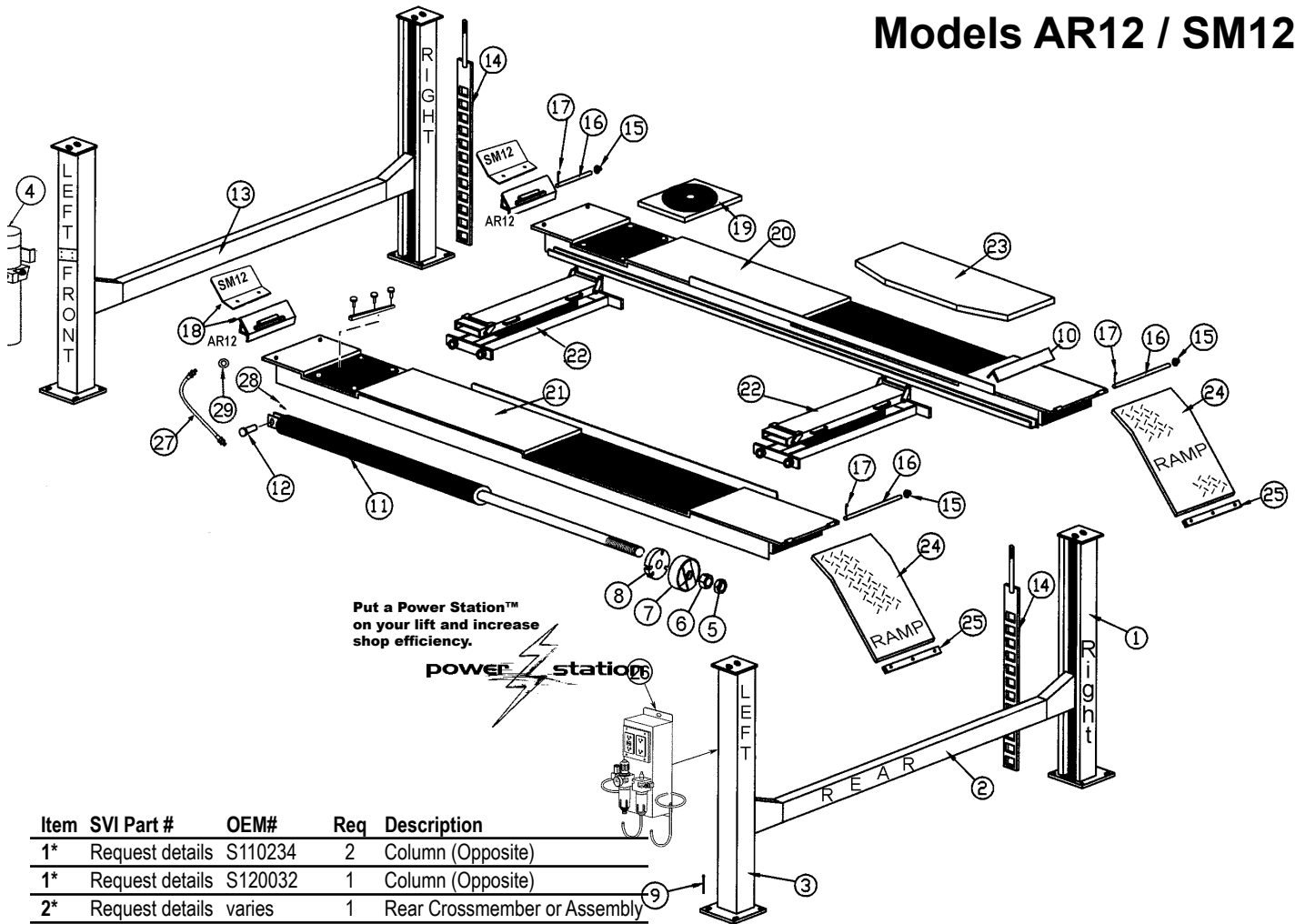
Models AR90 & AR120 Series Rear Slip Plate Detail



Item	SVI Part #	OEM#	Req	Description
1	BH-7517-49	FC5190-13	2	Lock Pin
2	BA-1590-16	FC5190-16	1	Slip Plate
3	BA-1590-53	FC5190-6-1	3	Ball Retainer Cage w/Felt Wiper
	BA-1590-07	FC5190-7	108	Roller Ball
4	BA-1590-20	FC5190-20	3	Felt Wiper



Models AR12 / SM12



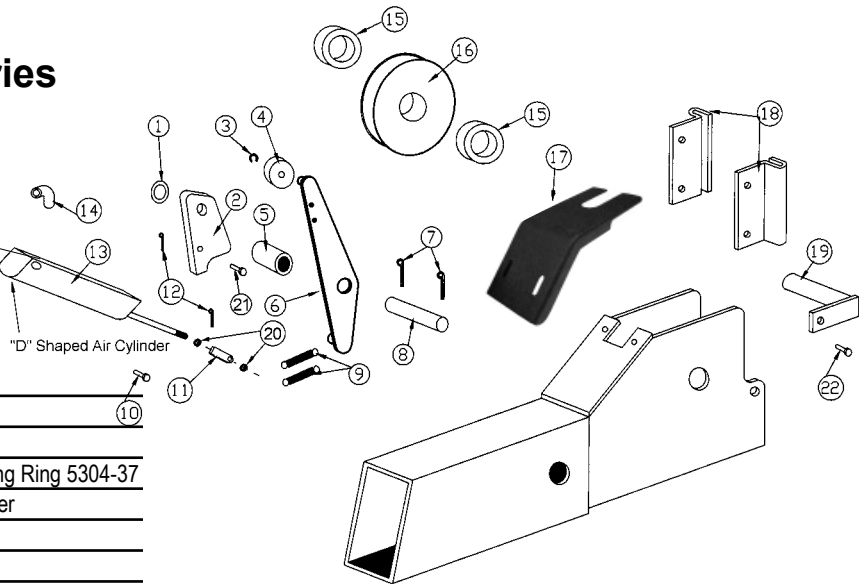
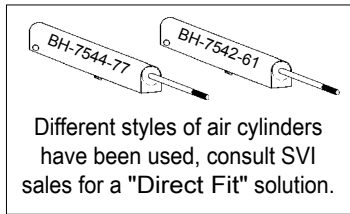
Item	SVI Part #	OEM#	Req	Description
1*	Request details	S110234	2	Column (Opposite)
1*	Request details	S120032	1	Column (Opposite)
2*	Request details	varies	1	Rear Crossmember or Assembly
3*	Request details	S110234	1	Column (Power Unit)
4	BH-7006-01		1	Power Unit (1PH) <i>See Power Unit catalog for more parts related to the power unit.</i>
5	F-JN-1375-06	40773	1	1-3/8"-6 Hex Jam Nut
6	F-HN-1375-06	40771	1	1-3/8"-6 Hex Nut
7	BH-7529-26	S120068	1	Cable Retainer Weld
8	BH-7529-27	S120075	1	Cable Pull Bar
9	BH-7074-51	FC5228		5/8" Anchor Bolt
10	BH-7508-89	FC320	2	Wheel Chock
11	BH-7544-94	S130002	1	Hydraulic Cylinder
	BH-7544-96	S130002-12HY		Seal Kit for Hyco
	BH-7544-96P	S130002-12PC		Seal Kit for Pacoma
12	BH-7513-43	FC5346-1	1	Clevis Pin
13*	Request details	varies	1	Front Crossmember or Assembly
14	BH-7544-72	S120028	4	Latch Bar Weldment
15	BH-7525-70	FC5179-4	2	5/8" Push Nut
16	BH-7517-78	FC134-99	2	Hinge Pin
17	F-CP-156-1000	41202	2	5/32" x 1" Cotter Pin
18	BH-7508-75	FC134-13	2	Wheel Stop (hinge pin style) for AR
	BH-7524-66	FC342	2	Wheel Stop (bolt on) for SM
19	Request details		1	Turnplate Set (2)
19	BA-1590-55	FA5157-1		Turnplate Rebuild Kit

Item	SVI Part #	OEM#	Req	Description
20/21*	Request details	varies	1	Right or Left Runway
22	Request details	SB300001	2	Rolling Jack (see section for parts)
23	BH-7527-86	FC5249		Rear Slip Plate Parts
24	BH-7542-64	S110016	2	Approach Ramp Assembly
--	BH-7542-64L-12.5	S110016x	2	Approach Ramp Assembly 12-1/2" Longer
--	BH-7542-65	S120072	2	Approach Ramp only
25	BH-7508-78	FC134-33	2	20" Ramp Slide
	BH-7508-78K	S100051		20" Ramp Slide KIT
26	BH-7069-K		1	PowerStation Air/Electric Utility Box - Color Options Available
27	Request details	S130149		Hydraulic Hose - S Model
	Request details	S130148		Hydraulic Hose - L Model
	Request details	S130150		Hydraulic Hose - EL2 Model
28	F-CP-187-1250	41247		Cotter Pin
29	BH-7520-61	S130063		Runway Grommet 1-1/2" Hole
	Request details	S130015		Runway Grommet 2-1/2" Hole

* Custom order by request. Sample may be needed.

Models AR12 / SM12

Lock Detail SM12 / AR12 Series

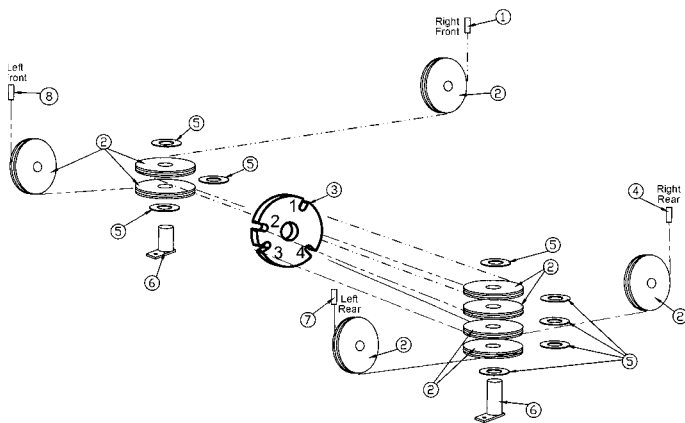


Item	SVI Part #	OEM #	Qty	Description
1	BH-7510-15	FC5301-98		Spacer
2	BH-7530-89	FC5706-10	4	Locking Latch
3	BH-7510-16	41410	4	3/8" Ext. Retaining Ring 5304-37
4	BH-7517-24	FC553-21	8	Slack Cable Roller
5	BH-7530-96	FC5706-9	4	Spacer
6	BH-7544-83	S120103	4	Kicker
7	F-CP-125-1250	41201	8	1/8" x 1-1/4" Cotter Pin
8	BH-7520-91	FC5901-7	4	Lock Shaft
9	BH-7501-61	FC522-25	8	Spring
10	Request Details	S130051		Clevis Pin
11	BH-7506-02	FC5706-7	4	Clevis
12	Request Details	41901	8	1/4" Hair Pin Cotter
13*	BH-7544-77	S130061	4	Air Cylinder (1 port) (properly ID)
13*	BH-7542-61	S130017	4	Air Cylinder (2 port) (properly ID)
14	BH-7501-56	FC5224-39	4	Elbow
15	BH-7532-46	FC5927-10	8	Spacer
16	BH-7531-51	FC5804-2	10	Sheave
16	BH-7531-51G	FC5804-2x		Sheave-Greaseable
17	BH-7517-52	FC5802-18	4	Yoke End Cover

Item	SVI Part #	OEM#	Req	Description
18	BH-7517-31	FC5706-16	8	Slider 2-Hole Version (pictured)
18	BH-7508-99	FC5301-97		Slider 1-Hole Version
19	BH-7501-44	FC5224-21		Sheave Pin 4.25"
19	BH-7501-47	FC5728-7		Sheave Pin 5.5"
20	F-HN-0250-28	40622		1/4"-28NF Hex Nut
21	Request Details	S130051		Clevis Pin
--	F-FW-0250	40782		1/4 Flatwasher
--	BH-7520-74	S130120		Nylon Tree Rivet
22	F-HC-0312-18-0750	40252		Hex Head Cap Screw

* Various shapes and styles of air cylinders have been used over the years. Consult SVI sales for a "Direct Fit" solution.

Cable Detail AR12 & SM12



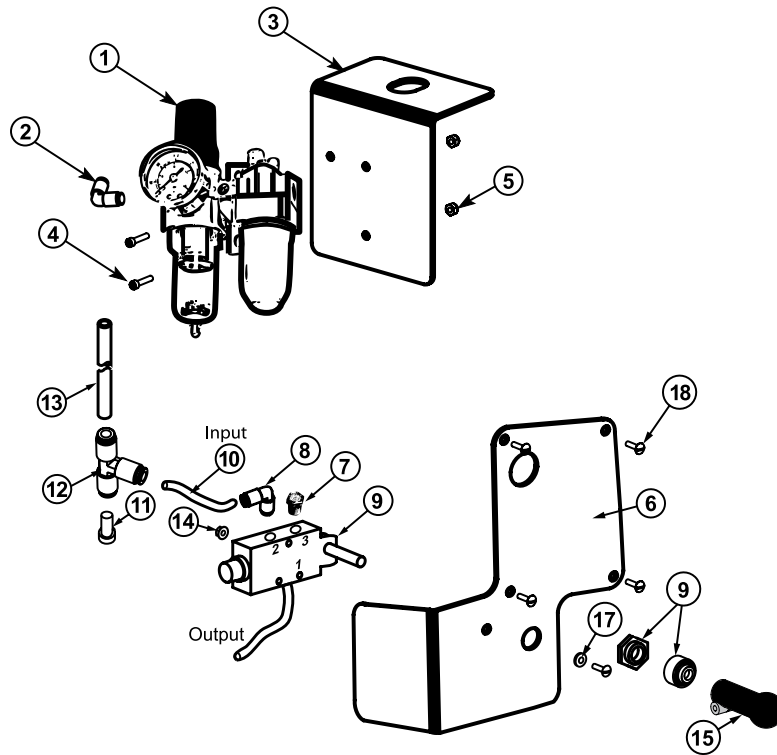
Item	SVI Part #	OEM#	Req	Description
1	BH-7544-53	S130027	1	RF Cable 30' 8-1/2" (158-1/2 WB)
	BH-7544-51	S130025	1	RF Cable 32' 8-1/2" (182-1/2 WB)
	BH-7544-55	S130021	1	RF Cable 34' 8-1/2" (206-1/2 WB)
	BH-7544-87	S130033	1	RF Cable 30' 3-1/2" (158-1/2 WB) NB
	BH-7544-89	S130041	1	RF Cable 32' 3-1/2" (182-1/2 WB) NB
	Request Details	S130138	1	RF Cable (206-1/2" WB) NB
2	BH-7531-51	FC5804-2	10	Cable Sheave
2	BH-7531-51G	FC5804-2x		Cable Sheave - Greaseable
3	BH-7529-27	S120075	1	Pull Bar
4	BH-7544-50	S130019	1	Right Rear Cable 15' 5-1/2"
	BH-7544-85	S130039	1	Right Rear Cable 15' 1/2" (Narrow Bay)
5	BH-7514-73	FC5843-3	7	Spacer
6	BH-7501-47	FC555-1	2	Front Sheave Pin
	Request Details	S120666		Rear Sheave Pin
7	BH-7544-49	S130018	1	Left Rear Cable 10' 9-1/4"
	BH-7544-84	S130038	1	Left Rear Cable 10' 4-1/2" (Narrow Bay)
8	BH-7544-54	S130026	1	Left Front Cable 26' 1/4" (158-1/2 WB)
	BH-7544-52	S130024	1	Left Front Cable 28' 1/4" (182-1/2 WB)
	BH-7544-56	S130020	1	Left Front Cable 30' 1/4" (206-1/2 WB)
	BH-7544-86	S130032	1	LF Cable 25' 7-1/2" (158-1/2 WB) NB
	BH-7544-88	S130040	1	LF Cable 27' 7-1/2" (182-1/2 WB) NB
	Request Details	S130137	1	LF Cable (206-1/2" WB) NB

Not pictured:				
--	F-HC-0312-18-0750	40252	2	5/16"-18NC HHCS x 3/4" Lg.
--	BH-7529-26	S120068	1	Retainer Weld



Models AR12 / SM12

Air Valve Detail



Item	SVI Part #	OEM#	Description
1	BH-7545-97	S130080	Filter / Regulator / Lubricator
2	BH-7524-29	FC147-7	Elbow
3	Request details	S120612	Adapter Bracket
4	F-SC-0010-24-0750	AP00027	Hex Socket Head Capscrew
5	F-NL-0010-24	40811	Nylon Lock Nut
6	Request details	S110274	Control Bracket 1Ø
--	Request details	S110286	Control Bracket 3Ø
7	BH-9784-41	T140075	Brass Filter
8	BH-7544-14	T140074	Elbow
9	BH-9786-15	T140073	Air Valve
10	BH-7904D-001BK	FC2230-2	1/4" Air Line Tubing (Specify Length)
11	BH-7507-07	FA2230-16	3/8" Plug
12	BH-7507-04	FA2242-1	Union Tee
13	BH-7507-02	FA2230-15	3/8" x 40 ft. Tubing
14	F-NL-0008-32	40649	Nylon Locknut
15	BH-9786-29	T140119	Air Lock Handle
16	F-PH-0008-32-1500	40007	Pan Head Machine Screw
17	F-FW-0008-SAE	40788	Flat Washer
18	Request details	41549	M5 x 0.8 PHMS 3Ø

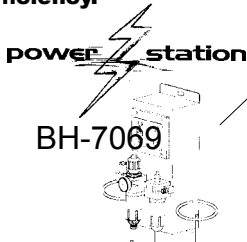
Item	SVI Part #	OEM#	Req	Description
INTERNAL AIRLINE PARTS (not shown):				
--	BH-7524-29	FC147-7		Male Elbow
--	BH-7524-30	FC147-3		Male Run Tee
--	Request details	FC147-5		Male Branch Tee
--	BH-7524-34	FC147-6		Runway Tubing
--	BH-7513-07	FC5313-2		Tubing
--	BH-7518-97	FC147-1		Female Bulkhead
--	BH-7508-83	FC147-14		Recoil Hose

RETAINER CABLE (not shown):				
--	BH-7522-11	S130078		Airline Retainer Cable (182" / 206")
--	Request details	XS130063		Airline Retainer Cable (158")
--	BH-7524-33	FC147-9		Retainer Bracket
--	F-HN-0250-20	40625		Hex Nut
--	F-FW-0375-USS	40820		Flat Washer
--	F-LN-0375-16	40660		Nut
--	F-LW-0375	40845		Lockwasher
--	F-HC-0375-16-0750	40130		Hex Head Cap Screw

AIR LATCH AIRLINE (not shown):				
--	BH-7507-01	FA2230-2		1/4" x 50' Air Line
--	BH-7526-88	FC5225-46		1/4" Tee Fitting
--	BH-7527-13	FC5225-98		Union

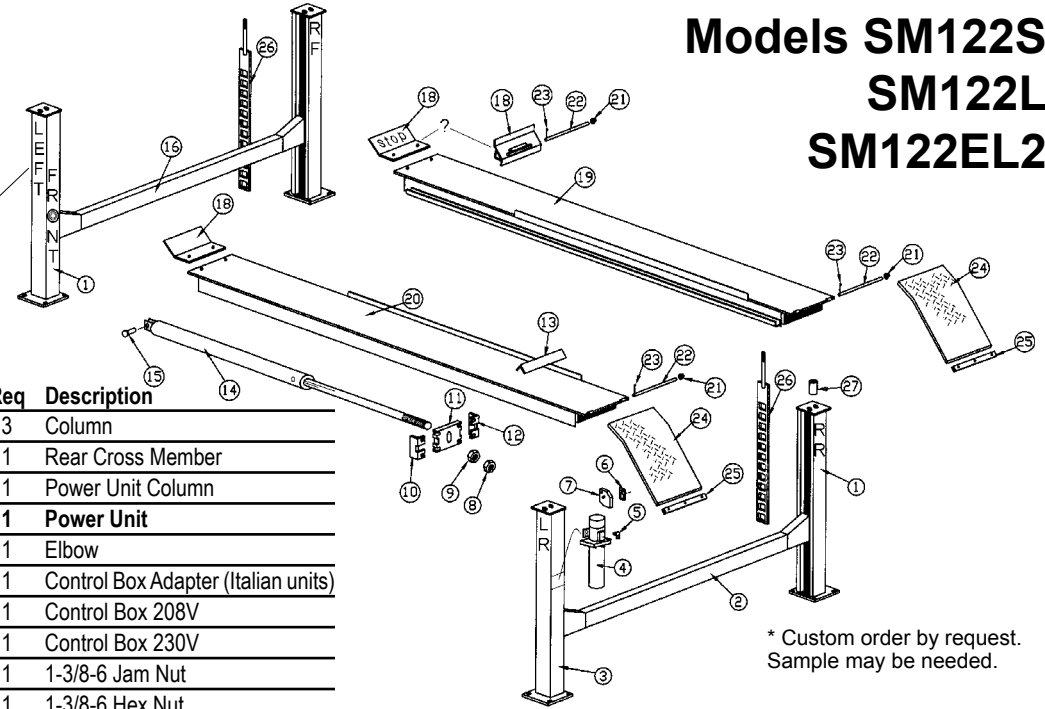


Put a Power Station™ on your lift and increase shop efficiency.



Models SM122S
SM122L
SM122EL2

Item	SVI Part #	OEM#	Req	Description
1*	BH-7530-80	FC5704	3	Column
2*	call for details	FC5706-1	1	Rear Cross Member
3*	BH-7530-86	FC5705	1	Power Unit Column
4	BH-7006-01		1	Power Unit
5	call for details	P1028-4	1	Elbow
6	BH-7543-69	FA7132-2	1	Control Box Adapter (Italian units)
7	call for details	FA7132	1	Control Box 208V
	call for details	FA7133	1	Control Box 230V
8	F-JN-1375-06	40766	1	1-3/8-6 Jam Nut
9	F-HN-1375-06	40760	1	1-3/8-6 Hex Nut
10**	BH-7501-90	FC543-3	1	Left Cable Retainer
11**	BH-7529-20	FC543	1	Cable Plate
12**	BH-7501-89	FC543-2	1	Right Cable Retainer
**Replacing Items 10-12: BH-7529-26 (OEM #S120068) - Retainer Weld and BH-7529-27 (OEM #S120075) - Pull Bar Drill				
13	BH-7508-89	FC320	2	Wheel Chock
14	BH-7517-18	FC5342	1	Hydraulic Cylinder
15	BH-7513-43	FC5346-1	1	Clevis Pin
	F-CP-187-1250	41247	1	3/16" x 1-1/4" Cotter Pin
16*	call for details	FC5707-1	1	Front Cross Member
18	BH-7524-66	FC342	2	Wheel Stop (bolt on)
18	BH-7508-75	FC134-13	2	Wheel Stop (hinge pin style)
19*	call for details	various	1	Right Runway
20*	call for details	various	1	Left Runway



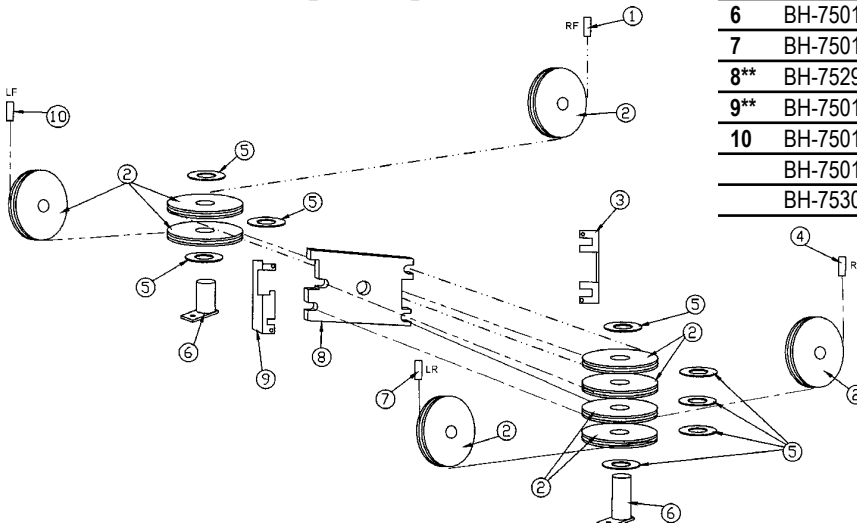
* Custom order by request. Sample may be needed.

Item	SVI Part #	OEM#	Req	Description
21	BH-7525-70	FC5179-4		5/8" Push Nut
22	BH-7517-78	FC134-99		Hinge Pin
23	F-CP-156-1000	41202		5/32" x 1" Cotter Pin
24	BH-7508-68	FC134-12	2	Approach Ramp
25	BH-7508-78	FC134-33	2	Ramp Slide
	BH-7508-78K	S100051	2	Ramp Slide KIT with Fasteners
26	BH-7530-74	FC5704-3	4	Latch Bar Weldment
27	BH-7509-04	FC5287	4	Spacer
KIT	BH-7501-57	FC5516		Sheave & Pin Replacement KIT
KIT	BH-7516-05	FC5522		Crossmember Sheave & Pin KIT
KIT	BH-7516-28	FC5519		Runway Sheave & Pin KIT
Item	SVI Part #	OEM#	Req	Description
1	BH-7501-31	FC5617	1	Right Front Cable (SM122S)
	BH-7501-08	FC547	1	Right Front Cable (SM122L)
	BH-7530-26	FC5551-12	1	Right Front Cable (SM122EL2)
2	BH-7501-45	FC548	10	Sheave
3**	BH-7501-89	FC543-2	1	Right Cable Retainer
4	BH-7501-06	FC545	1	Right Rear Cable
5	BH-7514-73	FC5843-3	7	Anti-Friction Washer
6	BH-7501-47	FC555-1	2	Sheave Pin
7	BH-7501-05	FC544	1	Left Rear Cable
8**	BH-7529-20	FC543	1	Cable Plate
9**	BH-7501-90	FC543-3	1	Left Cable Retainer
10	BH-7501-31A	FC5618	1	Left Front Cable (SM122S)
	BH-7501-07	FC546	1	Left Front Cable (SM122L)
	BH-7530-25	FC5551-11	1	Left Front Cable (SM122EL2)

****Replacing Items 3, 8 & 9: BH-7529-26 (OEM #S120068) - Retainer Weld and BH-7529-27 (OEM #S120075) - Pull Bar Drill**

Cable Detail SM122 Series

Ask for SVI "Direct Fit" brand lift repair parts.

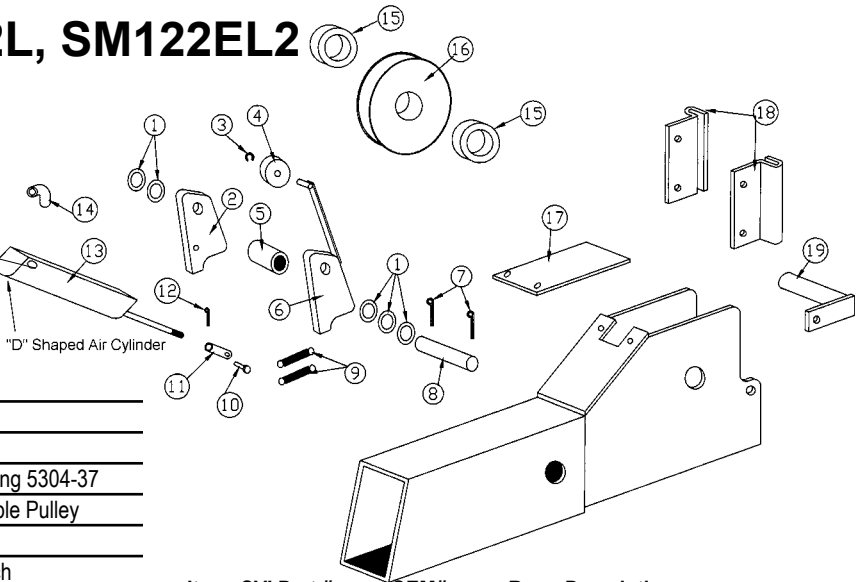
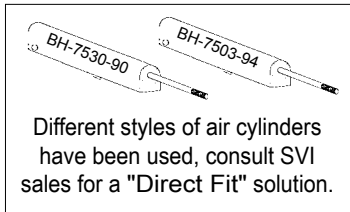


SVI stocks lift repair parts in three "Ready Ship" warehouses.
BALTIMORE
CHICAGO
LOS ANGELES

cont.

Models SM122S, SM122L, SM122EL2

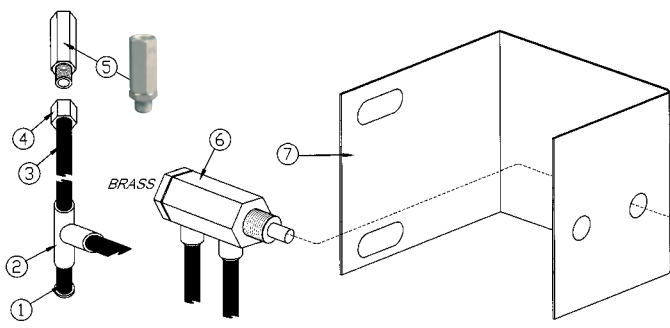
Lock Detail SM122 Series



Item	SVI Part #	OEM#	Req	Description
1	BH-7510-15	FC5301-98	8	Washer
2	BH-7530-89	FC5706-10	4	Locking Latch
3	BH-7510-16	41410	4	Ext. Retaining Ring 5304-37
4	BH-7517-24	FC553-21	4	4-Post Slack Cable Pulley
5	BH-7530-96	FC5706-9	4	Spacer
6	BH-7530-95	FC5706-8	4	Slack Cable Latch
7	F-CP-125-1250	41201	8	1/8" x 1-1/4" Cotter Pin
8	BH-7501-55	FC5224-17	4	Latch Shaft
9	BH-7501-61	FC522-25	8	Spring
10	BH-7507-06	FA2230-12	4	Clevis Pin
11	BH-7506-02	FC5706-7	4	Clevis
12	call for details		8	1/4" Hair Pin Cotter
13	BH-7503-94	FC5708-2	4	Air Cylinder (2 port) (properly ID) PLUG 1/8"
				Plug 1/8" NPT

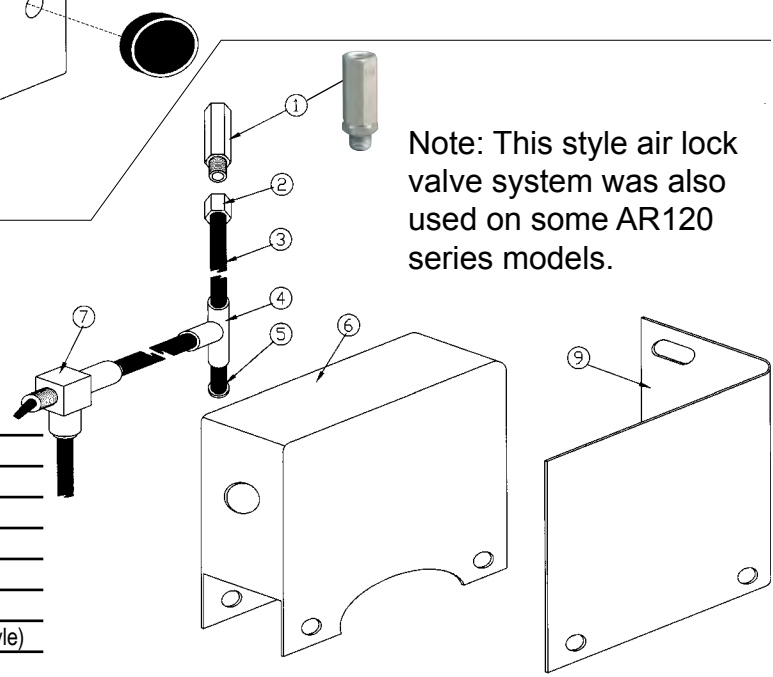
Item	SVI Part #	OEM#	Req	Description
14	BH-7501-56	FC5224-39	4	Elbow
15	BH-7532-46	FC5927-10	8	Spacer
16	BH-7501-45	FC548	10	Sheave
17	BH-7516-76	FC553-10	4	Rubber Cover
18	BH-7517-31	FC5706-16	8	Slider 2-Hole Version (pictured)
	BH-7508-99	FC-5301-97		Slider 1-Hole Version
19	BH-7501-44	FC5224-21		Sheave Pin 4.25"
	BH-7504-13	FC5728-7		Sheave Pin Assembly

Air Valve Details



Item	SVI Part #	OEM#	Req	Description
1	BH-7507-07	FA2230-16	1	3/8" Plugger
2	BH-7507-04	FA2242-1	1	Air Line Tee Fitting
3	BH-7507-02	FA2230-15	1	3/8" Air Line (40' roll)
4	BH-7514-10	FA3134-13	1	Female Connector
5	BH-7514-09	FA3134-12	1	In-Line Filter
6	BH-7504-19K	FA3216	1	Air Valve (also see BH-7514-20)
7	BH-7515-07	FA2273-7	1	Air Valve Bracket

Not Pictured		
SVI Part #	OEM#	Description
BH-7507-01	FA2230-2	1/4" Air Line (50' roll)
BH-7526-88	FC5225-46	1/4" Tee Fitting

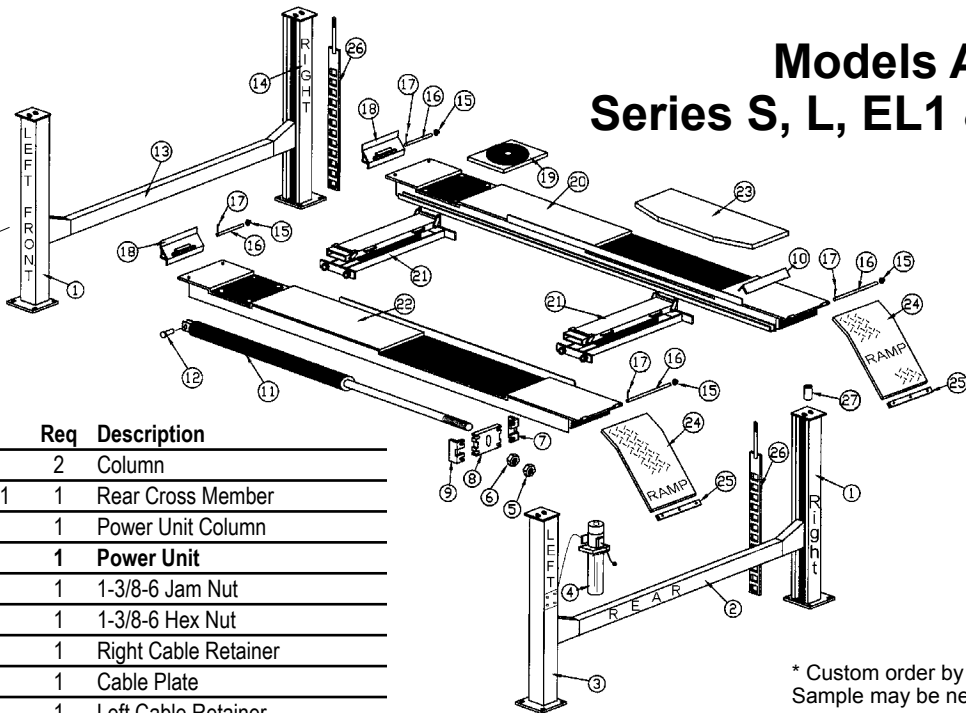
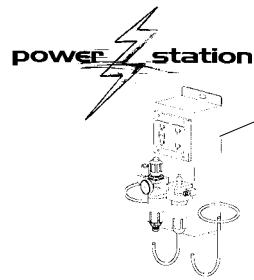


Item	SVI Part #	OEM#	Req	Description
1	BH-7514-09	FA3134-12	1	In-Line Filter
2	BH-7514-10	FA3134-13	1	Female Connector
3	BH-7507-02	FA2230-15	1	3/8" Air Line (40' roll)
4	BH-7507-04	FA2242-1	1	Air Line Tee Fitting
5	BH-7507-07	FA2230-16	1	3/8" Plugger
6	BH-7514-11	FA3134-3	1	Air Valve Bracket
7	BH-7515-02	FA2273-3	1	Air Valve (toggle switch style)
9	BH-7507-08	FA2230-17	1	Bracket

P
a
g
e
92



Put a Power Station™ on your lift and increase shop efficiency.



Models AR122 Series S, L, EL1 & EL2

Item	SVI Part #	OEM#	Req	Description
1*	BH-7530-80	FC5704	2	Column
2*	call for details	FC5706-1	1	Rear Cross Member
3*	BH-7530-86	FC5705	1	Power Unit Column
4	BH-7006-01		1	Power Unit
5	F-JN-1375-06		1	1-3/8-6 Jam Nut
6	F-HN-1375-06		1	1-3/8-6 Hex Nut
7**	BH-7501-89	FC543-2	1	Right Cable Retainer
8**	BH-7529-20	FC543	1	Cable Plate
9**	BH-7501-90	FC543-3	1	Left Cable Retainer
**Replacing Items 7-9: BH-7529-26 (OEM #S120068) - Retainer Weld and BH-7529-27 (OEM #S120075) - Pull Bar Drill				
10	BH-7508-89	FC320	2	Wheel Chock
11	BH-7517-18	FC5797-1	1	Hydraulic Cylinder Kit
12	BH-7513-43	FC5346-1	1	Clevis Pin
13*	call for details	FC5707-1	1	Front Cross Member
14*	BH-7530-80	FC5704	1	Column
15	BH-7525-70	FC5179-4	2	5/8" Push Nut
16	BH-7517-78	FC134-99	2	Hinge Pin
17	F-CP-156-1000	41202	2	5/32" x 1" Cotter Pin
18	BH-7508-75	FC134-13	2	Wheel Stop (hinge pin style)
	BH-7524-66	FC342	2	Wheel Stop (bolt on) not pictured

Item	SVI Part #	OEM#	Req	Description
19	BA-1600-01		2	Turnplate Set 14-3/4" x 14"
20*	call for details	various	1	Right Runway
21	call for details	FC5657	2	Rolling Jack (see section for parts)
22*	call for details	various	1	Left Runway
23	see breakdown for model AR120			Rear Slip Plate Parts
24	BH-7508-68	FC134-12	2	Approach Ramp
25	BH-7508-78	FC134-33	2	20" Ramp Slide
	BH-7508-78K	S100051		20" Ramp Slide KIT
26	BH-7530-74	FC5704-3	4	Lock Ladder
27	BH-7509-04	FC5287	4	Spacer

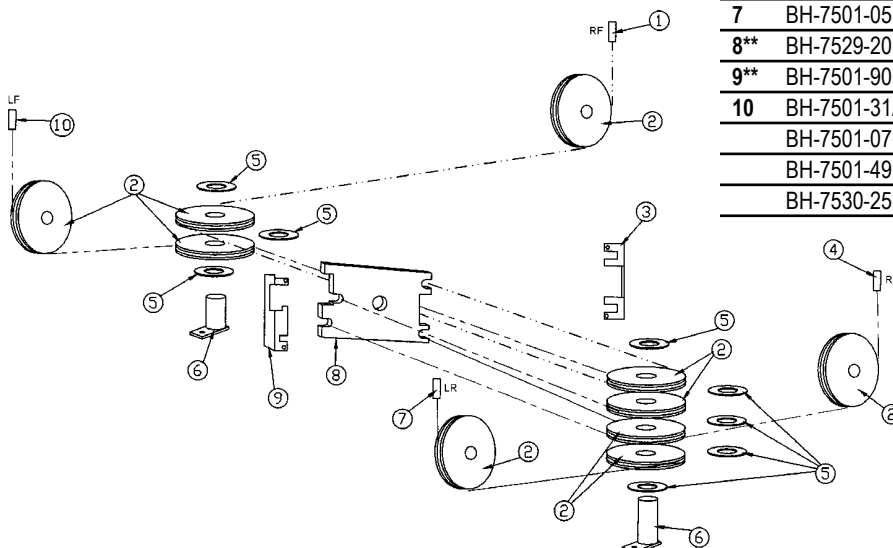
* Custom order by request. Sample may be needed.

Cable Detail AR122 Series

Item	SVI Part #	OEM#	Req	Description
1	BH-7501-31	FC5617	1	Right Front Cable (AR122S)
	BH-7501-08	FC547	1	Right Front Cable (AR122L)
	BH-7501-48	FC5647-1	1	Right Front Cable (AR122EL1)
	BH-7530-26	FC5551-12	1	Right Front Cable (AR122EL2)

Item	SVI Part #	OEM#	Req	Description
2	BH-7501-45	FC548	10	Sheave
3**	BH-7501-89	FC543-2	1	Right Cable Retainer
4	BH-7501-06	FC545	1	Right Rear Cable
5	BH-7514-73	FC5843-3	7	Spacer
6	BH-7501-47	FC555-1	2	Sheave Pin
7	BH-7501-05	FC544	1	Left Rear Cable
8**	BH-7529-20	FC543	1	Cable Plate
9**	BH-7501-90	FC543-3	1	Left Cable Retainer
10	BH-7501-31A	FC5618	1	Left Front Cable (AR122S)
	BH-7501-07	FC546	1	Left Front Cable (AR122L)
	BH-7501-49	FC5647-2	1	Left Front Cable (AR122EL1)
	BH-7530-25	FC5551-11	1	Left Front Cable (AR122EL2)

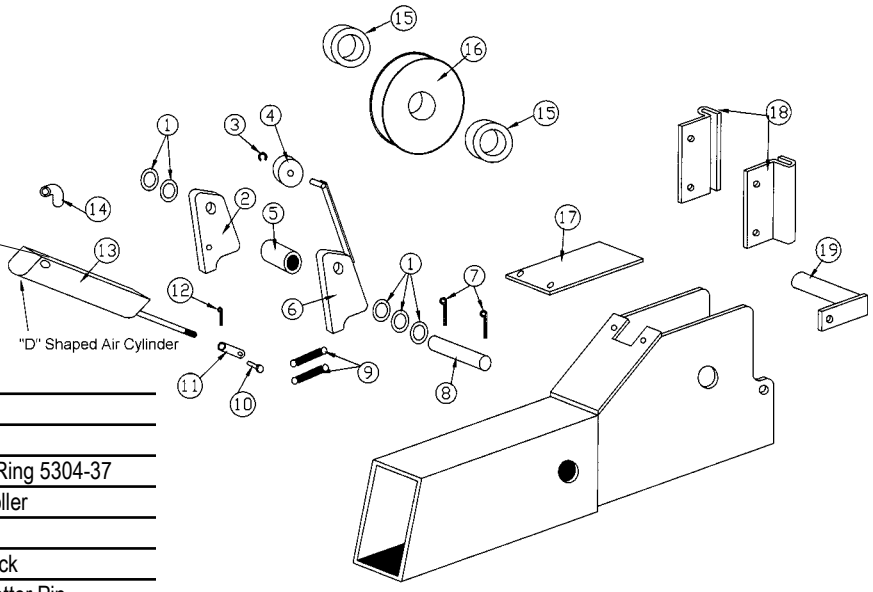
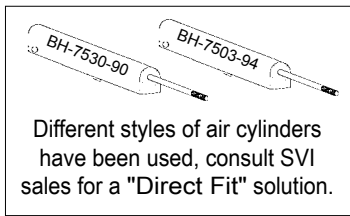
****Replacing Items 3, 8 & 9: BH-7529-26 (OEM #S120068) - Retainer Weld and BH-7529-27 (OEM #S120075) - Pull Bar Drill**



SVI stocks lift repair parts in three "Ready Ship" warehouses.
BALTIMORE
CHICAGO
LOS ANGELES



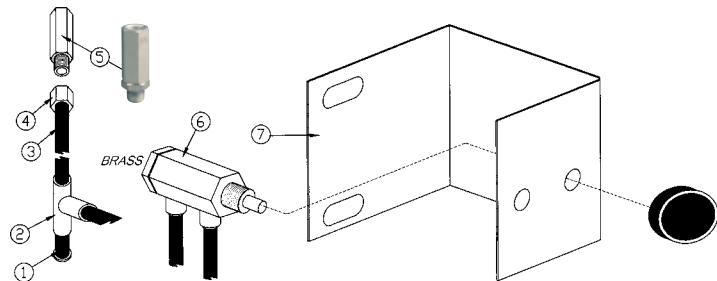
Models AR122 Series S, L, EL1 & EL2 Lock Detail AR122 Series



Item	SVI Part #	OEM#	Req	Description
1	BH-7510-15	FC5301-98	8	Spacer
2	BH-7530-89	FC5706-10	4	Lock Pawl
3	BH-7510-16	41410	4	Ext. Retaining Ring 5304-37
4	BH-7517-24	FC553-21	8	Slack Cable Roller
5	BH-7530-96	FC5706-9	4	Spacer
6	BH-7530-95	FC5706-8	4	Slack Cable Lock
7	F-CP-125-1250	41201	8	1/8" x 1-1/4" Cotter Pin
8	BH-7501-55	FC5224-17	4	Lock Shaft
9	BH-7501-61	FC522-25	8	Spring
10	BH-7507-06	FA2230-12	4	Clevis Pin
11	BH-7530-94	FC5706-7	4	Clevis
12	call for details		8	1/4" Hair Pin Cotter
13	BH-7503-94	FC5708-2	4	Air Cylinder (2 port) (properly ID) PLUG 1/8" Plug 1/8" NPT

Item	SVI Part #	OEM#	Req	Description
14	BH-7501-56	FC5224-39	4	Elbow
15	BH-7532-46	FC5927-10	8	Spacer
16	BH-7501-45	FC548	10	Sheave
17	BH-7516-76	FC553-10	4	Rubber Cover
18	BH-7517-31	FC5706-16	8	Slider
19	BH-7501-44	FC5224-21		Sheave Pin

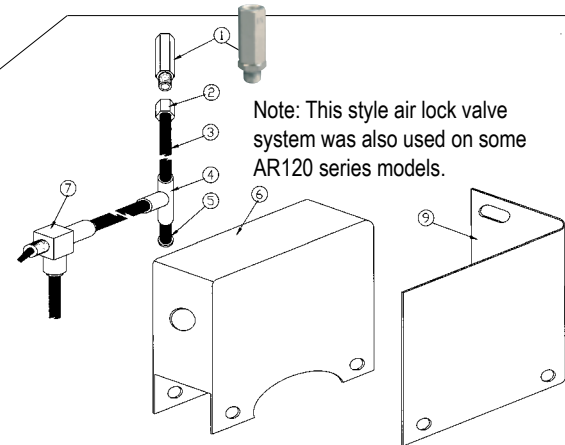
Air Valve Details



Item	SVI Part #	OEM#	Req	Description
1	BH-7507-07	FA2230-16	1	3/8" Pluggger
2	BH-7507-04	FA2242-1	1	Air Line Tee Fitting
3	BH-7507-02	FA2230-15	1	3/8" Air Line (40' roll)
4	BH-7514-10	FA3134-13	1	Female Connector
5	BH-7514-09	FA3134-12	1	In-Line Filter
6	BH-7504-19K	FA3216	1	Air Valve (also see BH-7514-20)
7	BH-7515-07	FA2273-7	1	Air Valve Bracket

NOT PICTURED

SVI Part #	OEM#	Description
BH-7507-01	FA2230-2	1/4" Air Line (50' roll)
BH-7526-88	FC5225-46	1/4" Tee Fitting
BH-7508-83	FC147-14	Recoil Hose
BH-7508-30	FC147-16	Recoil Hose



Sheave and Pin Kits

for Your Rotary Models:
**AR120, AR122, SM101,
SM120, SM122 and QL4P**



Item	SVI Part #	OEM#	Description
1	BH-7501-57	FC5516	Sheave and Pin Replacement KIT
2	BH-7516-05	FC5522	Crossmember Sheave & Pin KIT
3	BH-7516-28	FC5519	Runway Sheave & Pin KIT

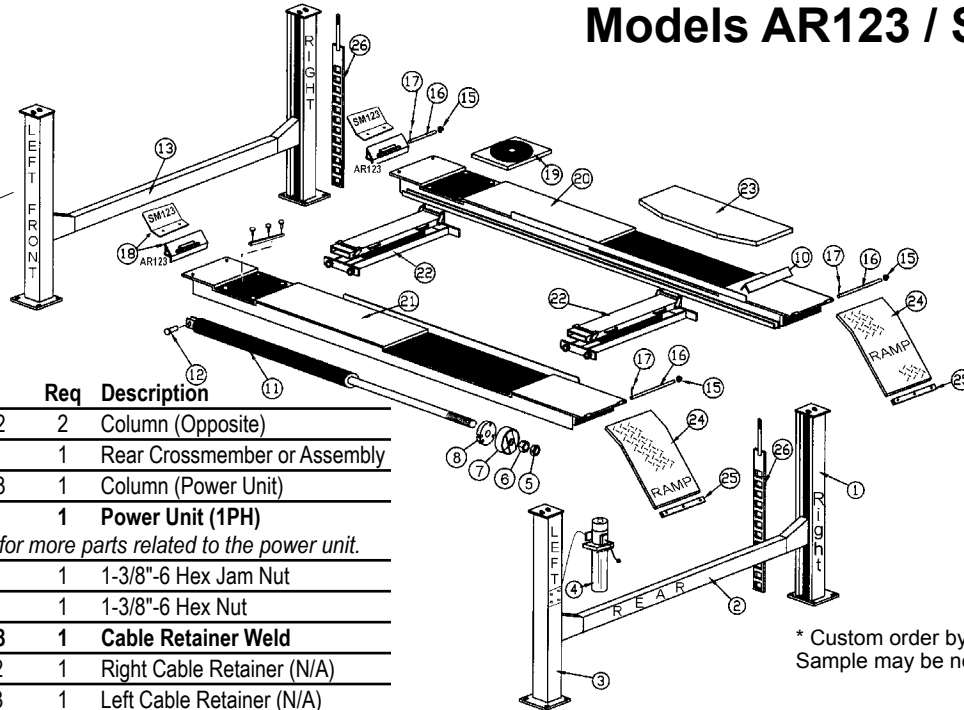
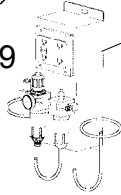
Item	SVI Part #	OEM#	Req	Description
1	BH-7514-09	FA3134-12	1	In-Line Filter
2	BH-7514-10	FA3134-13	1	Female Connector
3	BH-7507-02	FA2230-15	1	3/8" Air Line (40' roll)
4	BH-7507-04	FA2242-1	1	Air Line Tee Fitting
5	BH-7507-07	FA2230-16	1	3/8" Pluggger
6	BH-7514-11	FA3134-3	1	Air Valve Bracket
7	BH-7515-02	FA2273-3	1	Air Valve (toggle switch style)
9	BH-7507-08	FA2230-17	1	Bracket



**Put a Power Station™
on your lift and increase
shop efficiency.**

power station

BH-7069



* Custom order by request.
Sample may be needed.

Item	SVI Part #	OEM#	Req	Description
1*	BH-7520-96	S120032	2	Column (Opposite)
2*	call for details	varies	1	Rear Crossmember or Assembly
3*	call for details	S120033	1	Column (Power Unit)
4	BH-7006-01		1	Power Unit (1PH) <i>See Power Unit catalog for more parts related to the power unit.</i>
5	F-JN-1375-06	40773	1	1-3/8"-6 Hex Jam Nut
6	F-HN-1375-06	40771	1	1-3/8"-6 Hex Nut
7**	BH-7529-26	S120068	1	Cable Retainer Weld
prev.	BH-7501-89	FC543-2	1	Right Cable Retainer (N/A)
prev.	BH-7501-90	FC543-3	1	Left Cable Retainer (N/A)
8**	BH-7529-27	S120075	1	Cable Pull Bar
prev.	BH-7529-20	FC543	1	Cable Plate (N/A)
**For Items 7-8, order BH-7529-26 (OEM #S120068) - Retainer Weld and BH-7529-27 (OEM #S120075) - Pull Bar Drill. Previous parts are N/A.				
10	BH-7508-89	FC320	2	Wheel Chock
11	BH-7544-94	S130002	1	Hydraulic Cylinder
	BH-7544-96			Seal Kit
	BH-7531-42U			Seal Kit for Texas "TXT" Cylinder
12	BH-7513-43	FC5346-1	1	Clevis Pin
13*	call for details	varies	1	Front Crossmember or Assembly
14				
15	BH-7525-70	FC5179-4	2	5/8" Push Nut
16	BH-7517-78	FC134-99	2	Hinge Pin

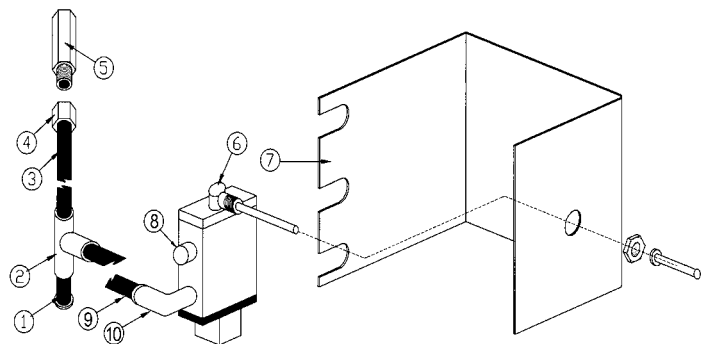
Item	SVI Part #	OEM#	Req	Description
17	F-CP-156-1000	41202	2	5/32" x 1" Cotter Pin
18	BH-7508-75	FC134-13	2	Wheel Stop (hinge pin style) for AR
	BH-7524-66	FC342	2	Wheel Stop (bolt on) for SM
19	BA-1600-01		1	Turnplate Set 14-3/4" x 14" (2)
20/21*	call for details	varies	1	Right or Left Runway
22	call for details	SB300001	2	Rolling Jack (see section for parts)
23	see breakdown for model AR120			Rear Slip Plate Parts
24	BH-7542-64	S110016	2	Ramp and Chock Assembly
	BH-7542-65	S120072	2	Approach Ramp only
25	BH-7508-78	FC134-33	2	20" Ramp Slide
	BH-7508-78K	S100051		20" Ramp Slide KIT
26	BH-7544-72	S120028	4	Lock Ladder

Air Valve

Item	SVI Part #	OEM#	Description
1	BH-7507-07	FA2230-16	3/8" Plug
2	BH-7507-04	FA2242-1	Union Tee
3	BH-7507-02	FA2230-15	3/8" Tubing (40' roll)
4	BH-7514-10	FA3134-13	Female Connector
5	BH-7514-09	FA3134-12	In-Line Filter
6	BH-9786-15	T140073	Air Valve
7	BH-7504-19B	FA3217	Air Valve Bracket
8	BH-9784-41	T140075	Brass Filter
9	BH-7507-01	FA2230-2	1/4" Air Line Tubing (50' roll)
10	BH-7513-39	FC5341-90	Elbow

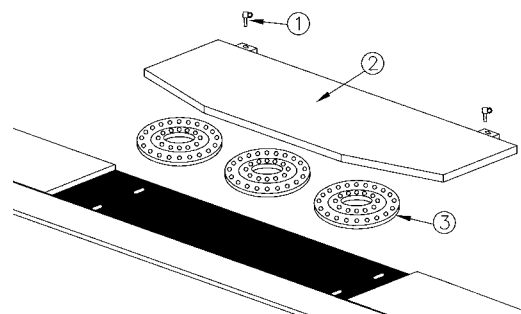
NOT PICTURED:

BH-7526-88	FC5225-46	1/4" Tee Fitting
BH-7527-13	FC5225-98	Union



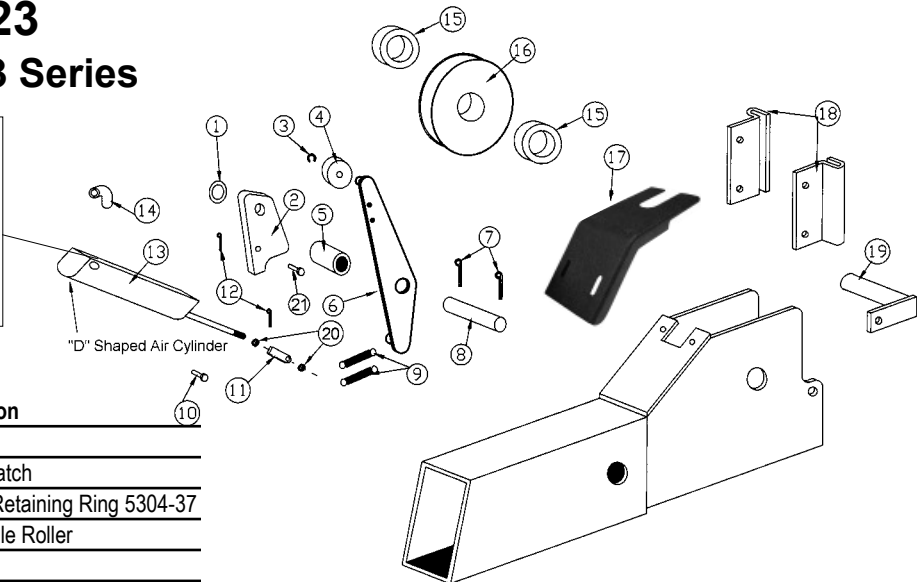
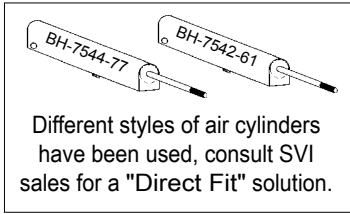
Rear Slip Plate Detail - AR123/ARO123

Item	SVI Part #	OEM#	Req	Description
1	BH-7517-49	FC5190-13	2	Lock Pin
2	BA-1590-16	FC5190-16	1	Slip Plate
3	BA-1590-30	FC5190-30		Rear Slip Plate Rebuild Kit
	BA-1590-53	FC5190-6-1	3	Ball Retainer Cage w/Felt Wiper
	BA-1590-07	FC5190-7	108	Roller Ball



Models AR123 / SM123

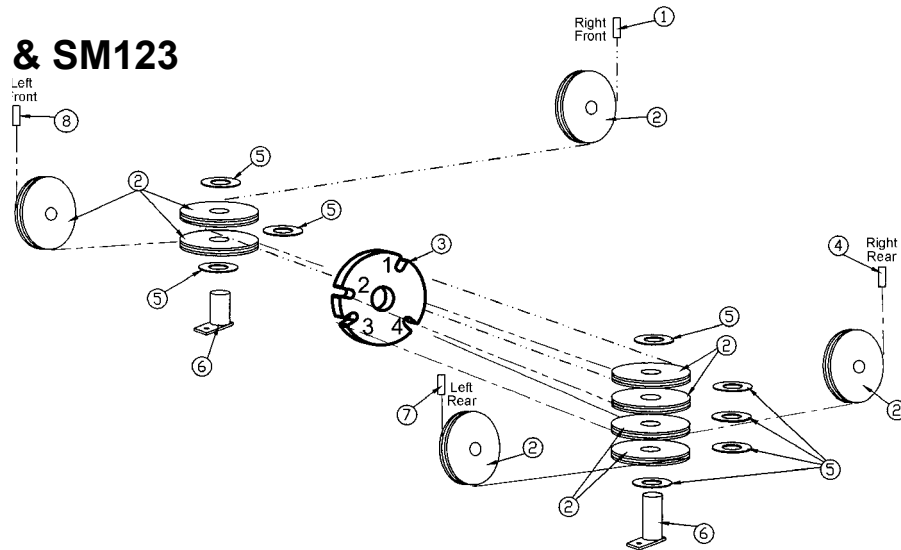
Lock Detail SM123/AR123 Series



Item	SVI Part #	OEM#	Req	Description
1	BH-7510-15	FC5301-98		Spacer
2	BH-7530-89	FC5706-10	4	Locking Latch
3	BH-7510-16	41410	4	3/8" Ext. Retaining Ring 5304-37
4	BH-7517-24	FC553-21	8	Slack Cable Roller
5	BH-7530-96	FC5706-9	4	Spacer
6	BH-7544-83	S120103	4	Kicker
7	F-CP-125-1250	41201	8	1/8" x 1-1/4" Cotter Pin
8	BH-7520-91	FC5901-7	4	Lock Shaft
9	BH-7501-61	FC522-25	8	Spring
10	call for details	S130051		Clevis Pin
11	BH-7530-94	FC5706-7	4	Clevis
12	call for details		8	1/4" Hair Pin Cotter
13	BH-7544-77	S130061	4	Air Cylinder (1 port) (properly ID)
	BH-7542-61	S130017	4	Air Cylinder (2 port) (properly ID)
14	BH-7501-56	FC5224-39	4	Elbow
15	BH-7532-46	FC5927-10	8	Spacer

Item	SVI Part #	OEM#	Req	Description
16	BH-7531-51	FC5804-2	10	Cable Sheave
16	BH-7531-51G	FC5804-2x		Cable Sheave - Greaseable
17	BH-7517-52	FC5802-18	4	Yoke End Cover
18	BH-7517-31	FC5706-16	8	Slider 2-Hole Version (pictured)
	BH-7508-99	FC5301-97		Slider 1-Hole Version
19	BH-7501-44	FC5224-21		Sheave Pin 4.25"
	BH-7501-47	FC5728-7		Sheave Pin 5.5"
20	F-HN-0250-28			1/4"-28NF Hex Nut
21	BH-7507-06	FA2230-12	4	Clevis Pin
--	F-FW-0250			1/4 Flatwasher

Cable Detail AR123 & SM123



Item	SVI Part #	OEM#	Req	Description
1	BH-7544-53	S130027	1	Right Front Cable (SM/AR123) 30' 8-1/2"
	BH-7544-51	S130025	1	Right Front Cable (SM/AR123) 32' 8-1/2"
	BH-7544-55	S130021	1	Right Front Cable (SM/AR123) 34' 8-1/2"
2	BH-7531-51	FC5804-2	10	Cable Sheave
2	BH-7531-51G	FC5804-2x		Cable Sheave - Greaseable
3	BH-7529-27	S120075	1	Pull Bar
4	BH-7544-50	S130019	1	Right Rear Cable 15' 5-1/2"
5	BH-7514-73	FC5843-3	7	Spacer
6	BH-7501-47	FC555-1	2	Sheave Pin

Item	SVI Part #	OEM#	Req	Description
7	BH-7544-49	S130018	1	Left Rear Cable 10' 9-1/4"
8	BH-7544-54	S130026	1	Left Front Cable (SM/AR123) 26' 1/4"
	BH-7544-52	S130024	1	Left Front Cable (SM/AR123) 28' 1/4"
	BH-7544-56	S130020	1	Left Front Cable (SM/AR123) 30' 1/4"
Not pictured:				
KIT	BH-7520-99	S100039		Cable Kit SM/AR123
--	F-HC-0312-18-0750		2	5/16"-18NC HHCS x 3/4" Lg.
--	BH-7529-26	S120068	1	Retainer Weld

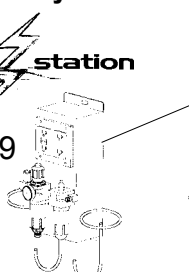
P
a
g
e



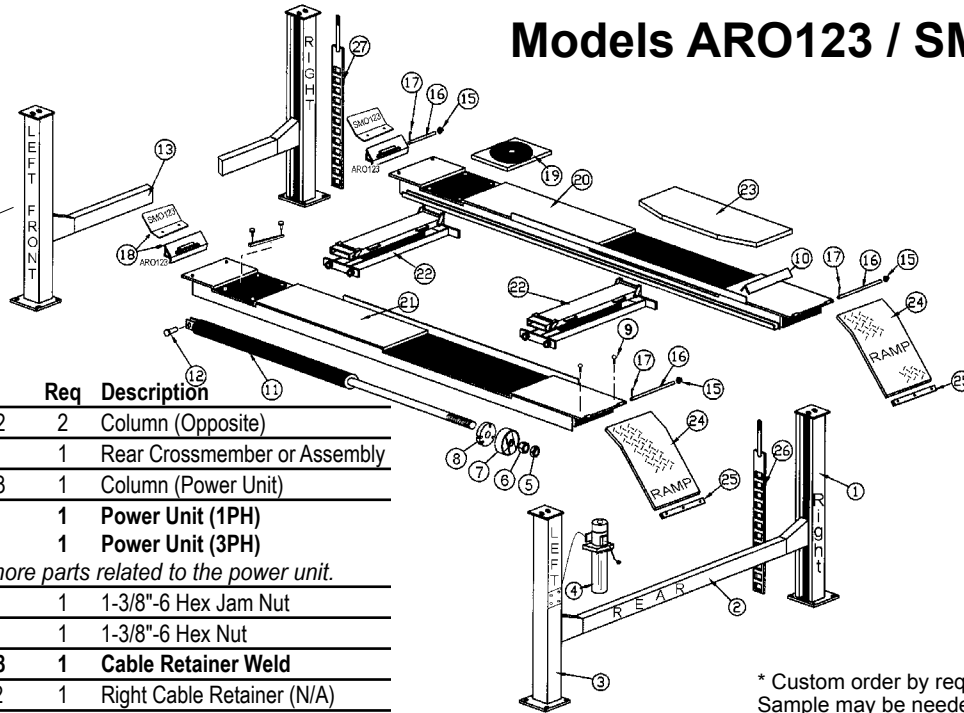
Put a Power Station™ on your lift and increase shop efficiency.

power station

BH-7069



Models ARO123 / SMO123



Item	SVI Part #	OEM#	Req	Description
1*	BH-7520-96	S120032	2	Column (Opposite)
2*	call for details	varies	1	Rear Crossmember or Assembly
3*	call for details	S120033	1	Column (Power Unit)
4	BH-7006-01		1	Power Unit (1PH)
	BH-7006-03		1	Power Unit (3PH)
<i>See Power Unit catalog for more parts related to the power unit.</i>				
5	F-JN-1375-06	40773	1	1-3/8"-6 Hex Jam Nut
6	F-HN-1375-06	40771	1	1-3/8"-6 Hex Nut
7**	BH-7529-26	S120068	1	Cable Retainer Weld
prev.	BH-7501-89	FC543-2	1	Right Cable Retainer (N/A)
prev.	BH-7501-90	FC543-3	1	Left Cable Retainer (N/A)
8**	BH-7529-27	S120075	1	Cable Pull Bar Drill
prev.	BH-7529-20	FC543	1	Cable Plate (N/A)
**For Items 7-8, order BH-7529-26 (OEM #S120068) - Retainer Weld and BH-7529-27 (OEM #S120075) - Pull Bar Drill. Previous parts are N/A.				
9	BH-7520-28	40279		1/2"-13NC x 1-1/4" Flg. Whiz-Lock HHCS
10	BH-7508-89	FC320	2	Wheel Chock
11	BH-7544-94	S130002	1	Hydraulic Cylinder
	BH-7544-96			Seal Kit
	BH-7531-42U			Seal Kit for Texas "TXT" Cylinder
Reference Rotary Seal Kits Pages for more information.				
12	BH-7513-43	FC5346-1	1	Clevis Pin
13*	call for details	varies	1	Right Front Crossmember or Assembly
14*	call for details	varies	1	Left Front Crossmember or Assembly

* Custom order by request. Sample may be needed.

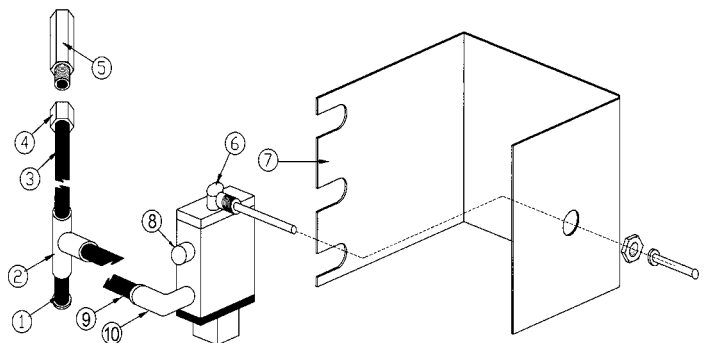
Item	SVI Part #	OEM#	Req	Description
15	BH-7525-70	FC5179-4	2	5/8" Push Nut
16	BH-7517-78	FC134-99	2	Hinge Pin
17	F-CP-156-1000	41202	2	5/32" x 1" Cotter Pin
18	BH-7508-75	FC134-13	2	Wheel Stop (hinge pin-style) for ARO
	BH-7524-66	FC342	2	Wheel Stop (bolt on) for SMO
19	BA-1600-01		1	Turnplate Set 14-3/4" x 14" (2)
	BA-1590-55	FA5153-2	1	Turnplate Repair Kit for Rotary
20/21*	call for details	varies	1	Right or Left Runway
22	call for details	SB300001	2	Rolling Jack (see section for parts)
23	see breakdown for model AR120			Rear Slip Plate Parts
24	BH-7542-64	S110016	2	Ramp and Chock Assembly
	BH-7542-65	S120072	2	Approach Ramp only
25	BH-7508-78	FC134-33	2	20" Ramp Slide
	BH-7508-78K	S100051		20" Ramp Slide KIT
26	call for details	S120028	2	Rear Lock Ladder
27	BH-7544-82	S120030	2	Front Lock Ladder

Air Valve

Item	SVI Part #	OEM#	Description
1	BH-7507-07	FA2230-16	3/8" Plug
2	BH-7507-04	FA2242-1	Union Tee
3	BH-7507-02	FA2230-15	3/8" Tubing (40' roll)
4	BH-7514-10	FA3134-13	Female Connector
5	BH-7514-09	FA3134-12	In-Line Filter
6	BH-9786-15	T140073	Air Valve
7	BH-7504-19B	FA3217	Air Valve Bracket
8	BH-9784-41	T140075	Brass Filter
9	BH-7507-01	FA2230-2	1/4" Air Line Tubing
10	BH-7513-39	FC5341-90	Elbow

NOT PICTURED:

BH-7526-88	FC5225-46	1/4" Tee Fitting
BH-7508-83	FC147-14	Recoil Hose
BH-7518-97	FC147-1	Female Bulkhead
BH-7910-111	FC147-3	Male Run Tee
BH-7509-72-3	FC147-5	Male Branch Tee
BH-7524-29	FC147-7	Male Elbow
BH-7524-34	FC147-6	Runway Tubing
BH-7513-07	FC5313-2	Tubing

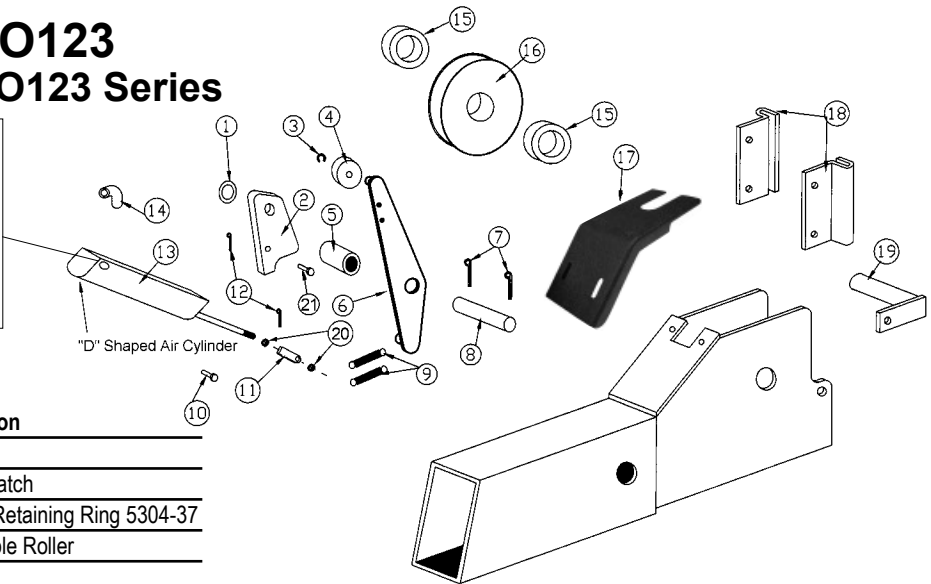




Models ARO123 / SMO123

Lock Detail ARO123 / SMO123 Series

Different styles of air cylinders have been used, consult SVI sales for a "Direct Fit" solution.



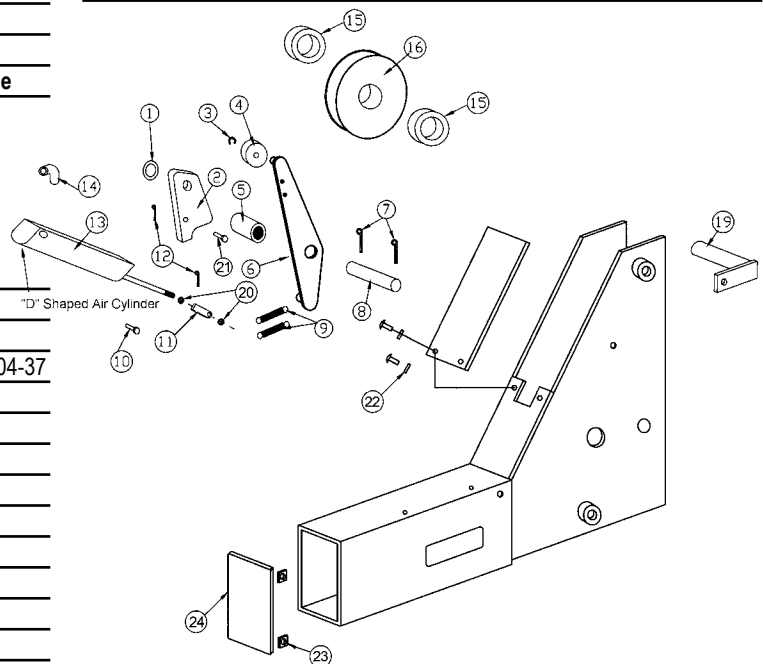
Rear Yoke End Detail

Item	SVI Part #	OEM#	Req	Description
1	BH-7510-15	FC5301-98		Spacer
2	BH-7530-89	FC5706-10	4	Locking Latch
3	BH-7510-16	41410	4	3/8" Ext. Retaining Ring 5304-37
4	BH-7517-24	FC553-21	8	Slack Cable Roller
5	BH-7530-96	FC5706-9	4	Spacer
6	BH-7544-83	S120103	4	Kicker
7	F-CP-125-1250	41201	8	1/8" x 1-1/4" Cotter Pin
8	BH-7520-91	FC5901-7	4	Lock Shaft
9	BH-7501-61	FC522-25	8	Spring
10	call for details	S130051		Clevis Pin
11	BH-7530-94	FC5706-7	4	Clevis
12	call for details		8	1/4" Hair Pin Cotter
13	BH-7544-77	S130061	4	Air Cylinder (1 port) (properly ID)
	BH-7542-61	S130017	4	Air Cylinder (2 port) (properly ID)
14	BH-7501-56	FC5224-39	4	Elbow
15	BH-7532-46	FC5927-10	8	Spacer
16	BH-7531-51	FC5804-2	10	Cable Sheave
16	BH-7531-51G	FC5804-2x		Cable Sheave - Greaseable

Item	SVI Part #	OEM#	Req	Description
17	BH-7517-52	FC5802-18	2	Yoke End Cover (Rear)
--	BH-7517-93	S130014	2	Yoke End Cover (Front)
18	BH-7517-31	FC5706-16	8	Slider 2-Hole Version (pictured)
	BH-7508-99	FC5301-97		Slider 1-Hole Version
19	BH-7501-44	FC5224-21		Sheave Pin 4.25"
	BH-7501-47	FC5728-7		Sheave Pin 5.5"
20	F-HN-0250-28			1/4"-28NF Hex Nut
21	BH-7507-06	FA2230-12	4	Clevis Pin
--	F-FW-0250			1/4 Flatwasher

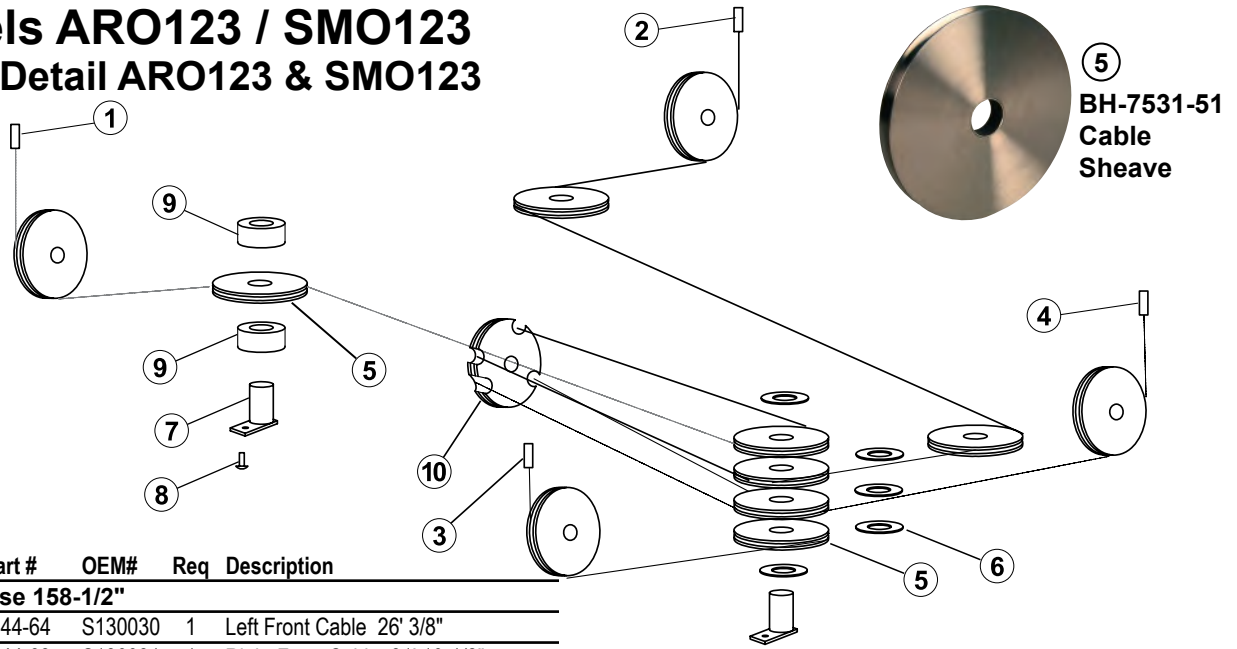
Front Yoke End Detail

Item	SVI Part #	OEM#	Req	Description
1	BH-7510-15	FC5301-98		Spacer
2	BH-7530-89	FC5706-10	4	Locking Latch
3	BH-7510-16	41410	4	3/8" Ext. Retaining Ring 5304-37
4	BH-7517-24	FC553-21	8	Slack Cable Roller
5	BH-7530-96	FC5706-9	4	Spacer
6	BH-7544-83	S120103	4	Kicker
7	F-CP-125-1250	41201	8	1/8" x 1-1/4" Cotter Pin
8	BH-7520-91	FC5901-7	4	Lock Shaft
9	BH-7501-61	FC522-25	8	Spring
10	call for details	S130051		Clevis Pin
11	BH-7530-94	FC5706-7	4	Clevis
12	call for details		8	1/4" Hair Pin Cotter
13	BH-7544-77	S130061	4	Air Cylinder (1 port) (properly ID)
	BH-7542-61	S130017	4	Air Cylinder (2 port) (properly ID)
14	BH-7501-56	FC5224-39	4	Elbow
15	BH-7532-46	FC5927-10	8	Spacer
16	BH-7531-51	FC5804-2	10	Cable Sheave
16	BH-7531-51G	FC5804-2x		Cable Sheave - Greaseable
17	BH-7517-93	S130014	2	Yoke End Cover (Front)
	BH-7517-52	FC5802-18	2	Yoke End Cover (Rear)
18	BH-7517-31	FC5706-16	8	Slider 2-Hole Version (pictured)
	BH-7508-99	FC5301-97		Slider 1-Hole Version



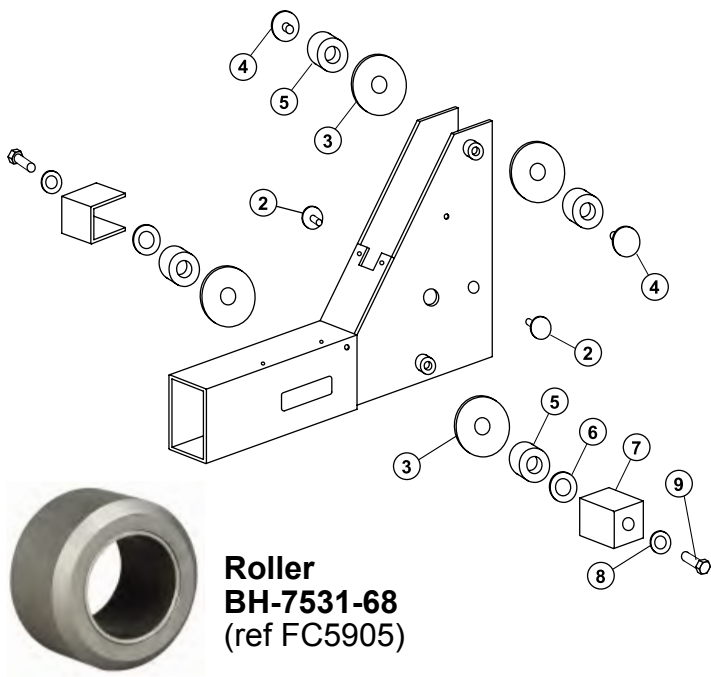
Item	SVI Part #	OEM#	Req	Description
19	BH-7501-44	FC5224-21		Sheave Pin
	BH-7504-13	FC5728-7		Sheave Pin (chrome-plated)
20	F-HN-0250-28			1/4"-28NF Hex Nut
21	BH-7507-06	FA2230-12	4	Clevis Pin
22	F-FW-0250			1/4 Flatwasher
23	call for details	FC7115		Spring Clip
24	call for details	FC248		Tube Cap

Models ARO123 / SMO123 Cable Detail ARO123 & SMO123



Item	SVI Part #	OEM#	Req	Description
Wheel Base 158-1/2"				
1	BH-7544-64	S130030	1	Left Front Cable 26' 3/8"
2	BH-7544-63	S130031	1	Right Front Cable 31' 10-1/2"
3	BH-7544-49	S130018	1	Left Rear Cable 10' 9-1/4"
4	BH-7544-50	S130019	1	Right Rear Cable 15' 5-1/2"
Wheel Base 182-1/2"				
1	BH-7544-66	S130028	1	Left Front Cable 28' 3/8"
2	BH-7544-65	S130029	1	Right Front Cable 33' 10-1/2"
3	BH-7544-49	S130018	1	Left Rear Cable 10' 9-1/4"
4	BH-7544-50	S130019	1	Right Rear Cable 15' 5-1/2"
Wheel Base 206-1/2"				
1	BH-7544-68	S130022	1	Left Front Cable 30' 3/8"
2	BH-7544-67	S130023	1	Right Front Cable 35' 10-1/2"
3	BH-7544-49	S130018	1	Left Rear Cable 10' 9-1/4"
4	BH-7544-50	S130019	1	Right Rear Cable 15' 5-1/2"

Item	SVI Part #	OEM#	Req	Description
5	BH-7531-51	FC5804-2	10	Cable Sheave
5	BH-7531-51G	FC5804-2x		Cable Sheave - Greaseable
6	BH-7514-73	FC5843-3		Spacer
7	BH-7501-47	FC555-1	2	Sheave Pin
8	F-HC-0312-18-0500	40401		5/16"-18NC x 1/2" Lg. HHCS
9	BH-7544-80	S130161		Sheave Spacer
10	BH-7529-27	S120075	1	Pull Bar
Not pictured:				
--	BH-7529-26	S120068	1	Retainer Weld



Roller Assembly and Sliders ARO123 & SMO123

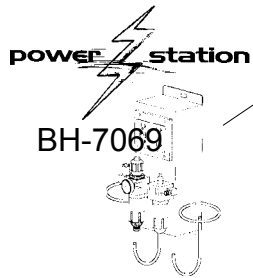


Item	SVI Part #	OEM#	Description
1	BH-7520-97	S120089	Left Front Yoke
	call for details	S120091	Right Front Yoke
2	BH-7531-68D	FC5905-8	Slider for Open Yoke
3	BH-7531-68C	FC5905-9	Spacer
4	BH-7531-68B	FC5905-4	Slider
5	BH-7531-68	FC5905	Roller (Also, order BH-7531-68C and -68A)
6	BH-7531-68A	FC5905-3	Wheel Bearing
7	BH-7531-68WC	FC5905-5	Wheel Cover
8	F-FW-0625-SAE	40980	5/8" Flat Washer
9	F-HC-0625-11-1000	40340	5/8"-11 x 1" Lg. HHCS
KIT BH-7531-68K12 S100097KIT Roller and Slider KIT for 12K			

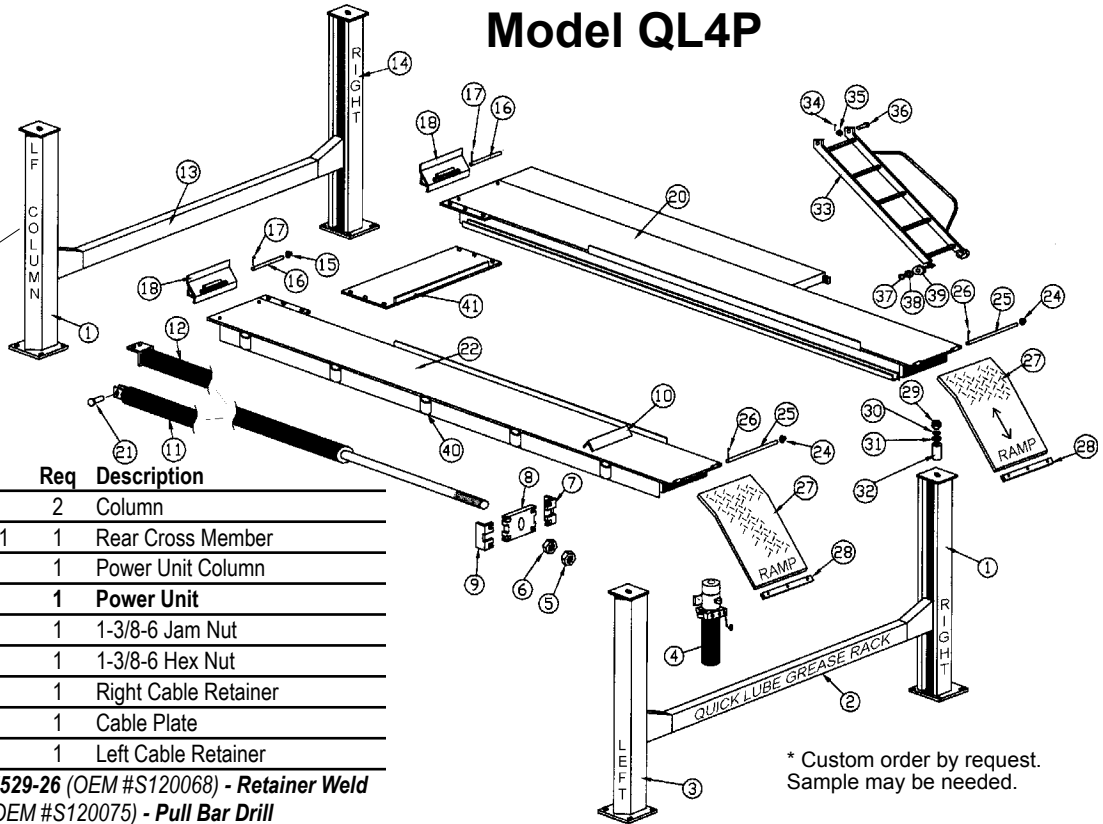




Put a Power Station™ on your lift and increase shop efficiency.



Model QL4P



Item	SVI Part #	OEM#	Req	Description
1*	BH-7525-33	FC5146	2	Column
2*	BH-7509-46	FC5309-1	1	Rear Cross Member
3*	BH-7527-24	FC5232	1	Power Unit Column
4	BH-7006-01	P518	1	Power Unit
5	F-JN-1375-07		1	1-3/8-6 Jam Nut
6	F-HN-1375-07		1	1-3/8-6 Hex Nut
7**	BH-7501-89	FC543-2	1	Right Cable Retainer
8**	BH-7529-20	FC543	1	Cable Plate
9**	BH-7501-90	FC543-3	1	Left Cable Retainer

**Replacing Items 7-9: BH-7529-26 (OEM #S120068) - Retainer Weld and BH-7529-27 (OEM #S120075) - Pull Bar Drill

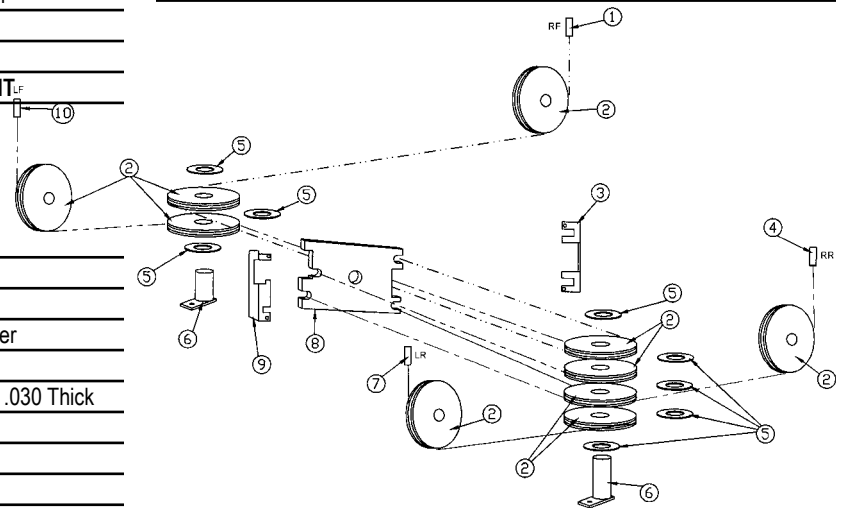
10	BH-7508-89	FC320	4	Wheel Chock
11	BH-7517-18	FC5342	1	Hydraulic Cylinder (Clevis Style)
12	BH-7501-62	FC542	1	Hydraulic Cylinder (2 Bolt Style)
13*	BH-7513-09	FC5315-1	1	Front Cross Member
14*	BH-7525-31	FC5145	1	Column
15	BH-7525-70	FC5179-4		5/8" Push Nut
16	BH-7517-78	FC134-13-4	4	Hinge Pin or FC134-99
17	F-CP-156-1000		4/8	5/32" x1" Cotter Pin
18	BH-7508-75	FC134-13	2	Front Wheel Stop
20*	BH-7516-02	FC5384	1	Runway
21	BH-7513-43	FC5346-1	1	Cylinder Clevis
22*	call for details	FC5385	1	Runway
24	BH-7525-70	FC5179-4	?	5/8" Push Nut
25	BH-7517-78	FC134-13-4	4	Hinge Pin or FC134-99
26	F-CP-156-1000		4/8	5/32" x1" Cotter Pin
27	BH-7525-23	FC5142	2	Approach Ramp
28	BH-7508-78	FC134-33	2	20" Ramp Slide
	BH-7508-78K	S100051		20" Ramp Slide KIT

* Custom order by request. Sample may be needed.

Item	SVI Part #	OEM#	Req	Description
29	F-JN-0875-09		4	7/8-9 Jam Nut
30	F-HN-0875-09		4	7/8-9 Hex Nut
31	F-FW-0875-USS		4	7/8" Flatwasher
32	BH-7509-04	FC5287	4	Spacer Tube
33	BH-7527-64	FC5238	1	Ladder
34	F-CP-125-1000			1/8" x 1" Cotter Pin
35	F-FW-0375-USS			3/8" Flatwasher
36	BH-7503-48	FJ7233-22		Clevis Pin
37	call for details		2	Ext. Retaining Ring 5100-37
38	F-FW-0375-SAE		2	3/8" Flatwasher
39	BH-7527-67	2337T24	2	Rubber Wheel 4" x 1-1/4"
40	call for details	FC5385	1	Left Runway
41	BH-7527-70	FC5239	1	Center Platform

Cable Detail

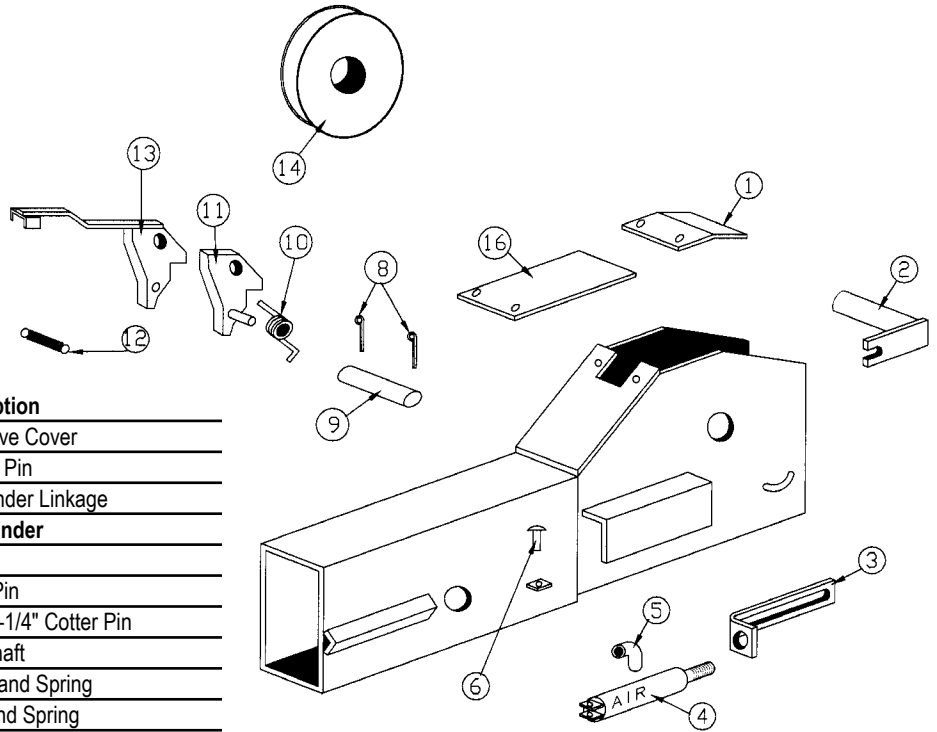
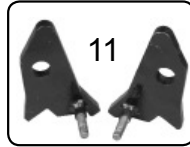
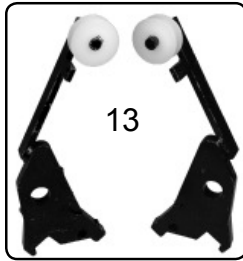
Item	SVI Part #	OEM#	Req	Description
1	BH-7501-08	FC547	1	Right Front Cable
2	BH-7501-45	FC548	10	Sheave
3**	BH-7501-89	FC543-2	1	Right Cable Retainer
4	BH-7501-06	FC545	1	Right Rear Cable
5	BH-7517-19	FC5346-2	7	Antifriction Washer .030 Thick
6	BH-7501-47	FC555-1	2	Sheave Pin
7	BH-7501-05	FC544	1	Left Rear Cable
8**	BH-7529-20	FC543	1	Cable Plate
9**	BH-7501-90	FC543-3	1	Left Cable Retainer
10	BH-7501-07	FC546	1	Left Front Cable



**Replacing Items 3, 8 & 9: BH-7529-26 (OEM #S120068) - Retainer Weld and BH-7529-27 (OEM #S120075) - Pull Bar Drill

Model QL4P

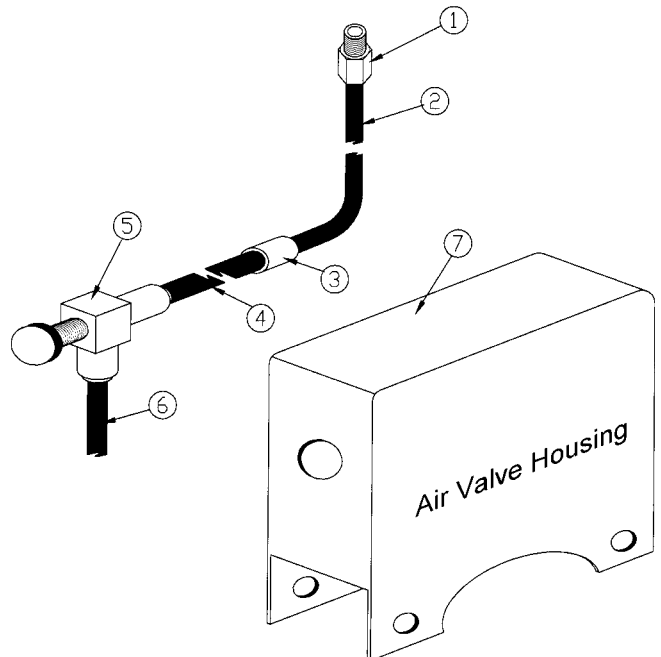
Lock Detail QL4P Model



Item	SVI Part #	OEM#	Req	Description
1	BH-7516-76	FC522-20	4	Protective Cover
2	BH-7501-44	FC553-8	4	Sheave Pin
3	BH-7501-53B	FA2230-9	4	Air Cylinder Linkage
4	BH-7501-53	FA2230-1	4	Air Cylinder
5	BH-7501-56	FC5224-39	4	Elbow
6	BH-7507-06	FA2230-12	4	Clevis Pin
8	F-CP-125-1250		8	1/8" x 1-1/4" Cotter Pin
9	BH-7501-55	FC522-8-3	4	Lock Shaft
10	BH-7513-11	FC5315-6	2	Right Hand Spring
	BH-7513-10	FC5315-5	2	Left Hand Spring
11	BH-7501-60/60A		1	RH & LH Lock Pawl Kit
12	BH-7501-61	FC522-25	4	Spring
13	BH-7501-54/54R		2	RH/LH Slack Cable Lock Kit
14	BH-7501-45	FC548	4	Cable Sheave
16	BH-7516-76	FC553-10	4	Rubber Cover

Air Valve Details

Item	SVI Part #	OEM#	Req	Description
1	BH-7507-03	FA3134-7		Male Connector
2	BH-7507-02	FA2230-15		Air Line Tube 3/8" x 40'
3	BH-7507-05	FA3134-8		Reducer
4	see SVI air line product offering			Air Line Tube
5	BH-7503-99	FA3134-10		Air Valve
6	see SVI air line product offering			Air Line Tube 1/4"
7	BH-7514-11	FA3134-3		Air Valve Housing

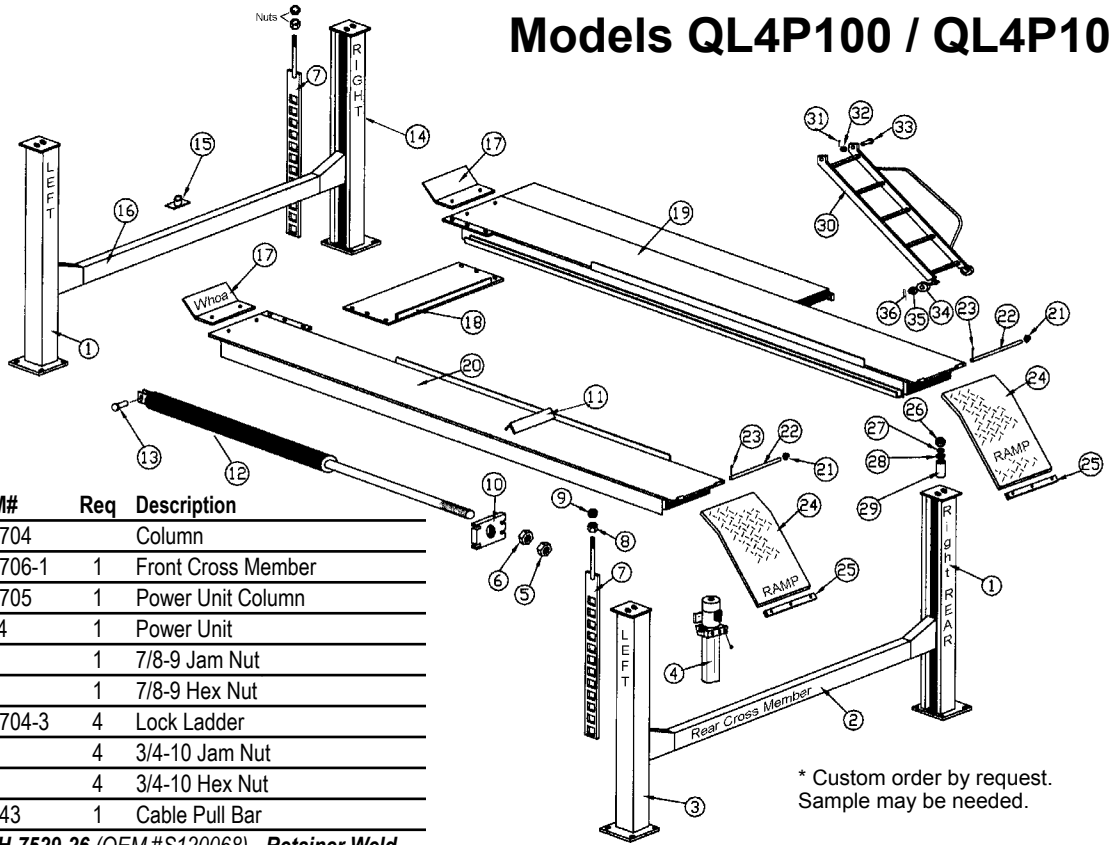


Sheave and Pin Kits for Your Rotary Models: AR120, AR122, SM101, SM120, SM122 and QL4P

Item	SVI Part #	OEM#	Description
1	BH-7501-57	FC5516	Sheave and Pin Replacement KIT
2	BH-7516-05	FC5522	Crossmember Sheave & Pin KIT
3	BH-7516-28	FC5519	Runway Sheave & Pin KIT



Models QL4P100 / QL4P101



* Custom order by request.
Sample may be needed.

Item	SVI Part #	OEM#	Req	Description
1*	BH-7530-86	FC5704		Column
2*	call for details	FC5706-1	1	Front Cross Member
3*	BH-7530-86	FC5705	1	Power Unit Column
4	call for details	P714	1	Power Unit
5	F-JN-0875-09		1	7/8-9 Jam Nut
6	F-HN-0875-09		1	7/8-9 Hex Nut
7	BH-7530-74	FC5704-3	4	Lock Ladder
8	F-JN-0750-10		4	3/4-10 Jam Nut
9	F-HN-0750-10		4	3/4-10 Hex Nut
10**	BH-7529-20	FC543	1	Cable Pull Bar

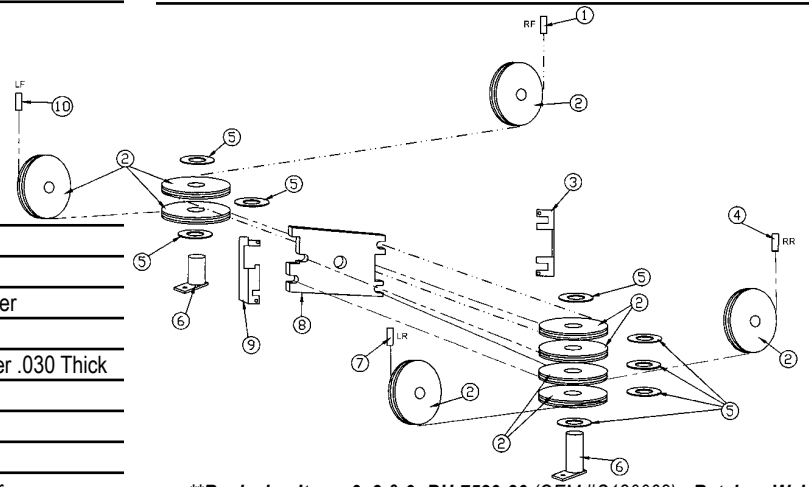
****Replacing Item 10: BH-7529-26 (OEM #S120068) - Retainer Weld and BH-7529-27 (OEM #S120075) - Pull Bar Drill**

11	BH-7508-89	FC320	1	Wheel Chock
12	BH-7517-18	FC5797	1	Hydraulic Cylinder
	BH-7531-42	FC5797-TH	1	Cylinder Seal Kit (Texas Hyd)
13	BH-7513-43	FC5346-1	1	Cylinder Clevis
14*	BH-7530-86	FC5707		Column
15	BH-7529-69	FC5459-1	1	Rail Support for QL4P100 only
16*	call for details			Front Cross Member
17	BH-7524-66	FC342	2	Wheel Stop QL4P100
18	BH-7527-70	FC5239	1	Center Platform
19*	call for details			Right Runway
20*	call for details			Left Runway
21	BH-7525-70	FC5179-4		5/8" Push Nut
22	BH-7517-78	FC134-99	2	Hinge Pin
23	F-CP-156-1000			5/32" x 1" Cotter Pin

Item	SVI Part #	OEM#	Req	Description
24	BH-7508-68	FC134-12	2	Approach Ramp
25	BH-7508-78	FC134-33		20" Ramp Slide
	BH-7508-78K	S100051		20" Ramp Slide KIT
26	F-JN-0875-09		4	7/8-9 Jam Nut
27	F-HN-0875-09		4	7/8-9 Hex Nut
28	F-FW-0875-USS		4	7/8" Flatwasher
29	BH-7509-04	FC5287	4	Spacer Tube
30	call for details		1	Ladder
31	F-CP-125-1000			1/8" x 1" Cotter Pin
32	F-FW-0500-USS			1/2" Flatwasher
33	BH-7527-63	FC5238-8	2	Clevis Pin
34	BH-7510-67	FJ2271-1	2	Ladder Roller 4"
35	F-FW-0500-SAE			1/2" Flatwasher
36	F-CP-125-1000			1/8" x 1" Cotter Pin

Cable Detail

Item	SVI Part #	OEM#	Req	Description
1	BH-7501-08	FC547	1	Right Front Cable
2	BH-7501-45	FC548	10	Sheave
3**	BH-7501-89	FC543-2	1	Right Cable Retainer
4	BH-7501-06	FC545	1	Right Rear Cable
5	BH-7517-19	FC5346-2	7	Anti-Friction Washer .030 Thick
6	BH-7501-47	FC555-1	2	Sheave Pin
7	BH-7501-05	FC544	1	Left Rear Cable
8**	BH-7529-20	FC543	1	Cable Plate
9**	BH-7501-90	FC543-3	1	Left Cable Retainer
10	BH-7501-07	FC546	1	Left Front Cable



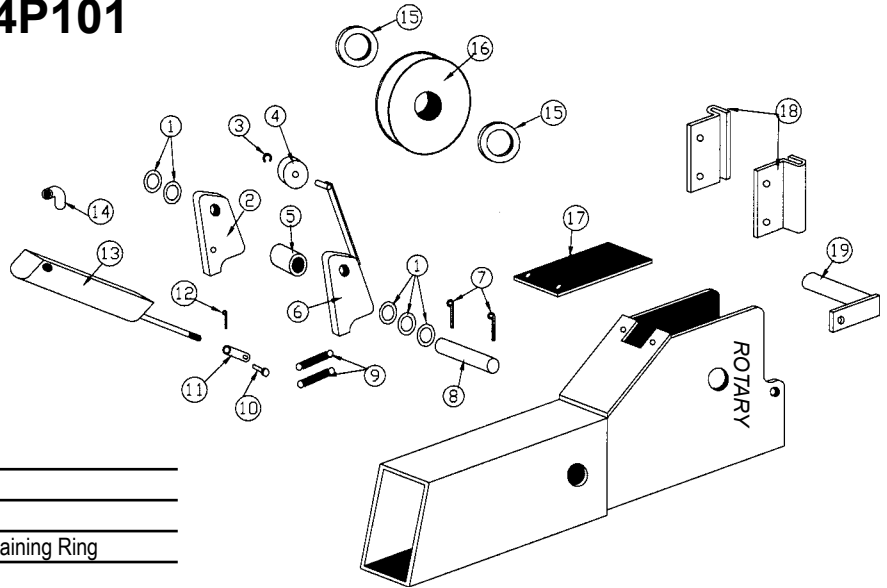
****Replacing Items 3, 8 & 9: BH-7529-26 (OEM #S120068) - Retainer Weld and BH-7529-27 (OEM #S120075) - Pull Bar Drill**

Page 102



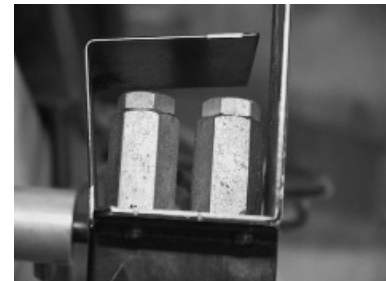
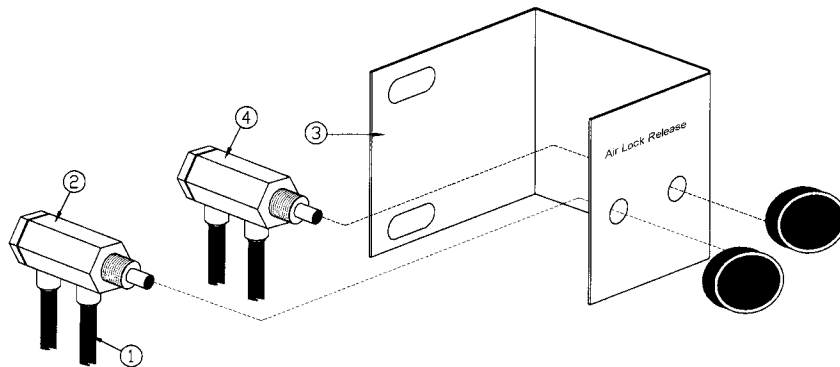
Models QL4P100 / QL4P101

Lock Detail Models QL4P100 and QL4P101



Item	SVI Part #	OEM#	Req	Description
1	BH-7510-15	FC5301-98	20	Spacer
2	BH-7530-89	FC5706-10	4	Lock Pawl
3	BH-7510-16	41410	4	3/8" Ext. Retaining Ring
4	BH-7517-24	FC553-21	4	Sheave
5	BH-7530-96	FC5706-9	4	Spacer Tube
6	BH-7530-95	FC5706-8	4	Slack Cable Lock
7	F-CP-125-1250		8	1/8" x 1-1/4" Cotter Pin
8	BH-7501-55	FC5224-17	4	Lock Shaft
9	BH-7501-61	FC522-25	8	Spring
10	BH-7507-06	FA2230-12	4	Clevis
11	BH-7530-94	FC5706-7	4	Pivot
12	call to order		4	1/4" Hairpin Cotter

Item	SVI Part #	OEM#	Req	Description
13	BH-7503-94	FC5708-2	4	Air Cylinder "D" Shaped
14	BH-7501-56	FC5224-39	4	Elbow
15	BH-7516-59	FC548-5	8	Anti-Friction Washer
16	BH-7501-45	FC548	4	Cable Sheave
17	BH-7516-76	FC553-10	4	Rubber Cover
18	BH-7517-31	FC5706-16	8	Cross Member Slider
19	BH-7501-44	FC5224-21	4	Sheave Pin



Item	SVI Part #	OEM#	Req	Description
1	BH-7515-04	FA2273-4		Lowering Valve Tube
2	BH-7514-20	FA3203-1		Air Valve (left position)
3	BH-7515-07	FA2273-7		Air Valve Bracket
4	BH-7514-20	FA2273-8		Air Valve (right position)

Not Pictured		
SVI Part #	OEM#	Description
BH-7507-09	FA2230-92	"Y" Connector
BH-7543-44	P527-11	3-Way Valve
BH-7514-09	FA3134-12	In-Line Air Filter
BH-7507-07	FA2230-16	3/8" Plugger
BH-7507-04	FA2242-1	Union Tee



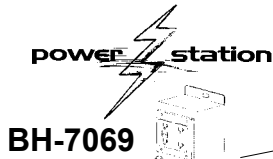
SVI has all the supplies needed to keep locking systems for automotive lifts in proper working order. For bulk air line tubing, air line connectors, valves, air cylinders, lock latches, springs and all other components, SVI is your answer. Over 20,000 lift repair parts and growing.

**with "Ready Ship" warehouses in:
Baltimore • Chicago • Los Angeles**

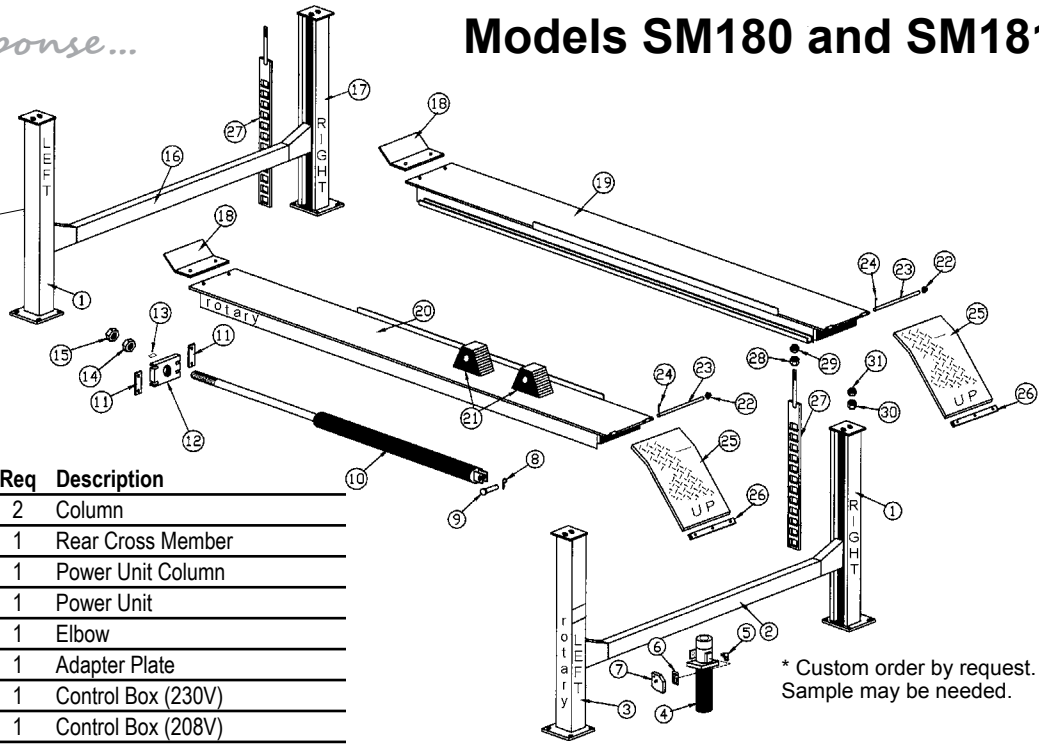


Rapid Fire Response...

Models SM180 and SM181



Put a Power Station™ on your lift and increase shop efficiency.



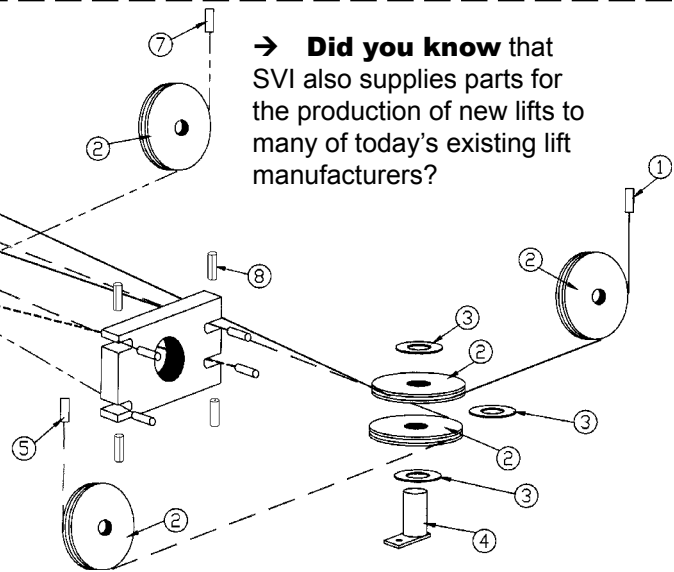
* Custom order by request. Sample may be needed.

Item	SVI Part #	OEM#	Req	Description
1*	call for details	FC5814	2	Column
2*	call for details	FC5773-1	1	Rear Cross Member
3*	BH-7531-81	FC5815	1	Power Unit Column
4	call for details		1	Power Unit
5	call for details	P1028-4	1	Elbow
6	BH-7543-69	FA7132-2	1	Adapter Plate
7	call for details	FA7133	1	Control Box (230V)
	call for details	FA7132	1	Control Box (208V)
	call for details	FA7134	1	Control Box (440-480V)
8	F-CP-187-1750		1	3/16" x 1-3/4" Cotter Pin
9	call for details	FC5810-17	1	Clevis Pin
10	BH-7531-65	FC5810-38	1	Hydraulic Cylinder
11	call for details	FC5810-47	2	Retainer
12	BH-7531-64	FC5810-30	1	Cable Plate
13	BH-7525-49	FC5160-12		Cable Plate Slider
14	F-HN-1500-06	40774	1	1-1/2-6 Hex Nut
15	F-JN-1500-06	40830	1	1-1/2-6 Jam Nut
16*	call for details	FC5772-1	1	Front Cross Member
17*	call for details	FC5814	1	Column
18	call for details	FC5810-19	2	Wheel Stop
19*	call for details	FC5811	1	Right Runway (SM180)
	call for details	FC5817	1	Right Runway (SM181)

Item	SVI Part #	OEM#	Req	Description
20*	call for details	FC5810	1	Left Runway (SM180)
	call for details	FC5816	1	Left Runway (SM181)
21	BH-7524-62	FC337	4	Adjustable Wheel Stop
22	BH-7525-70	FC5179-4	2	5/8" Push Nut
23	BH-7517-78	FC134-99	2	Hinge Pin
24	F-CP-156-1000	41202	2	5/32" x 1" Cotter Pin
25	BH-7531-79	FC5810-45	2	Approach Ramp
26	BH-7508-78	FC134-33	2	Ramp Slide
27	BH-7531-74	FC5814-11	4	Lock Ladder
28	F-HN-0750-10		4	3/4-10 Hex Nut
29	F-JN-0750-10		4	3/4-10 Jam Nut
30	F-HN-1000-08		4	1-8 Hex Nut
31	F-JN-1000-08		4	1-8 Jam Nut

Item	SVI Part #	OEM#	Req	Description
1	BH-7531-63	FC5810-14	1	Right Rear Cable (SM180)
	BH-7531-82	FC5816-14	1	Right Rear Cable (SM181)
2	BH-7531-56	FC5810-10	8	Sheave

Item	SVI Part #	OEM#	Req	Description
3	BH-7501-51	FC5225-17	8	Sheave Spacer
4	BH-7531-78	FC5810-40	2	Sheave Pin
5	BH-7531-61	FC5810-13	1	Left Rear Cable (SM180)
	BH-7531-83	FC5816-13	1	Left Rear Cable (SM181)
6	BH-7531-54	FC5810-11	1	Left Front Cable
7	BH-7531-52	FC5810-12	1	Right Front Cable
8	F-RP-375-3250	14464		3/8" x 3-1/4" Roll Pin



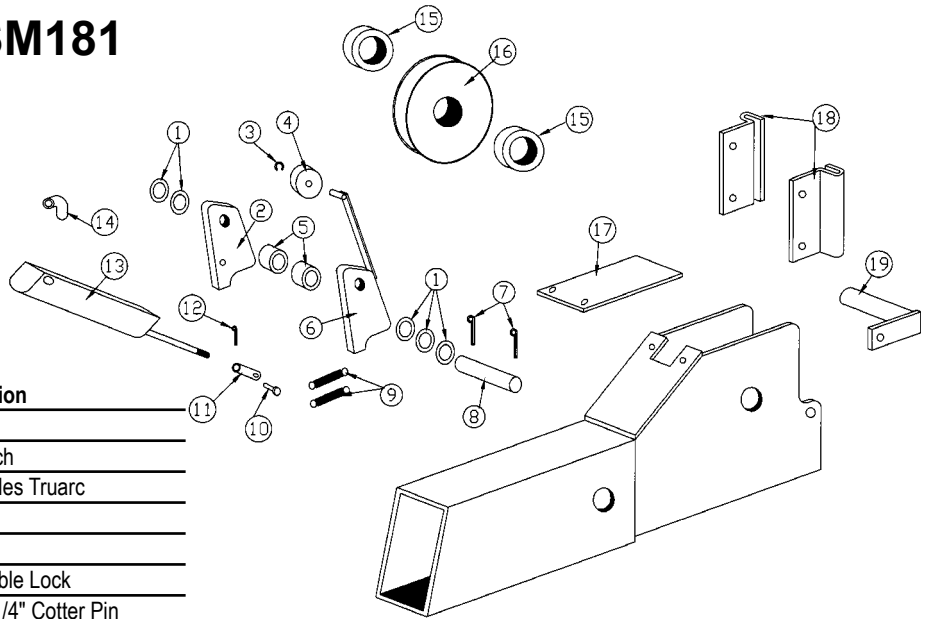
→ Did you know that SVI also supplies parts for the production of new lifts for many of today's existing lift manufacturers?

→ Insist on genuine SVI lift repair parts, every time.

Models SM180 and SM181

Lock Detail

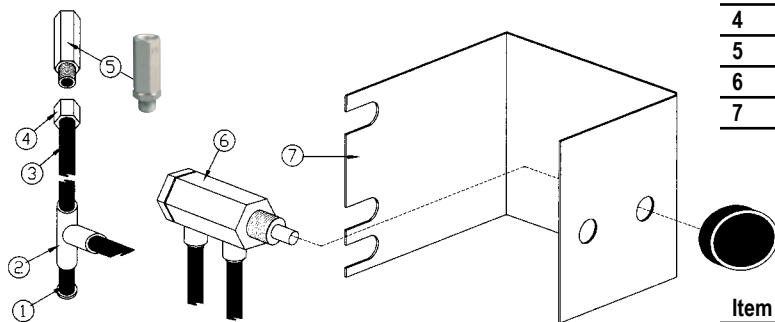
SM180 / SM181 Series



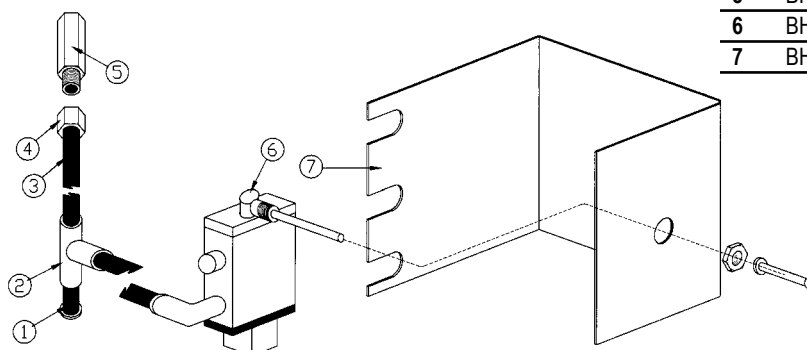
Item	SVI Part #	OEM#	Req	Description
1	BH-7510-15	FC5301-98		Spacer
2	BH-7531-72	FC5812-29	4	Lock Latch
3	call for details	41409	4	3/8" Waldes Truarc
4	BH-7517-24	FC553-21	4	Sheave
5	BH-7533-11	FC5812-28	8	Spacer
6	BH-7531-75	FC5812-27	4	Slack Cable Lock
7	F-CP-125-1250		8	1/8" x 1-1/4" Cotter Pin
8	BH-7501-55	FC5224-17	4	Lock Shaft
9	BH-7501-61	FC522-25	8	Spring
10	BH-7507-06	FA2230-12		Clevis Pin
11	call for details		4	Clevis
12	call for details			1/4" Cotter
13	BH-7503-94	FC5708-2	4	Air Cylinder (2 Port)
	PLUG 1/8			Plug 1/8" NPT

Item	SVI Part #	OEM#	Req	Description
14	BH-7501-56	FC5224-39	4	Elbow
15	BH-7532-46	FC5927-10	8	Sheave Spacer
16	BH-7531-56	FC5810-10		Sheave
17	BH-7516-76	FC553-10	4	Rubber Cover
18	BH-7531-70	FC5812-10	8	Slider Guide
19	BH-7501-44	FC5224-21	4	Sheave Pin

Air Valve Details



Item	SVI Part #	OEM#	Req	Description
1	BH-7507-07	FA2230-16		3/8" Plugger
2	BH-7507-04	FA2242-1		Union Tee
3	BH-7507-02	FA2230-15		3/8" Tubing (40' roll)
4	BH-7514-10	FA3134-13		Female Connector
5	BH-7514-09	FA3134-12		In-Line Filter
6	BH-7504-19K	FA3216		Air Valve
7	BH-7504-19B	FA3217		Air Valve Bracket



Item	SVI Part #	OEM#	Req	Description
1	BH-7507-07	FA2230-16		3/8" Plugger
2	BH-7507-04	FA2242-1		Union Tee
3	BH-7507-02	FA2230-15		3/8" Tubing (40' roll)
4	BH-7514-10	FA3134-13		Female Connector
5	BH-7514-09	FA3134-12		In-Line Filter
6	BH-7505-19	T140073		Air Valve
7	BH-7504-19B	FA3217		Air Valve Bracket

■ SVI cares strictly about making quality lift repair parts and not simply bottom line performance. This is the reason you will often see improvements in product quality and design criteria versus that of other suppliers.

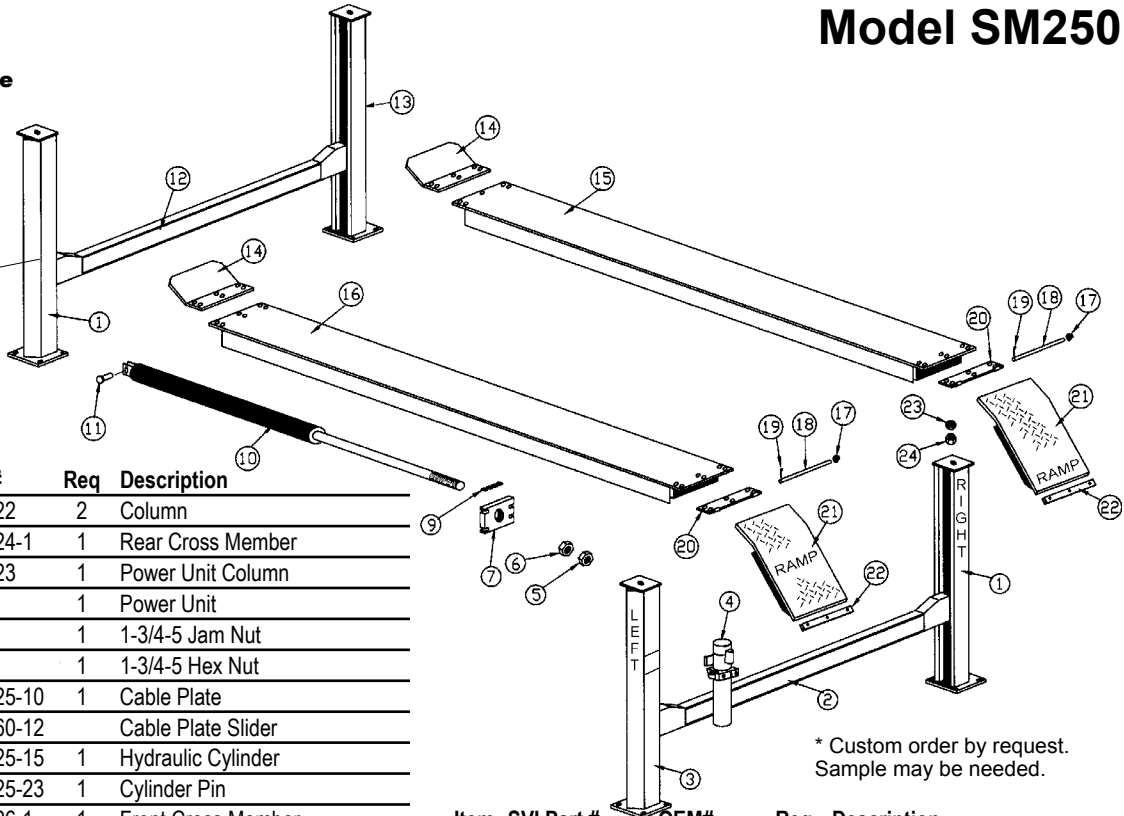
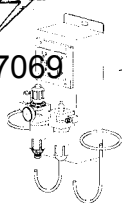


Model SM250

Put a Power Station™ on your lift and increase shop efficiency.



BH-7069

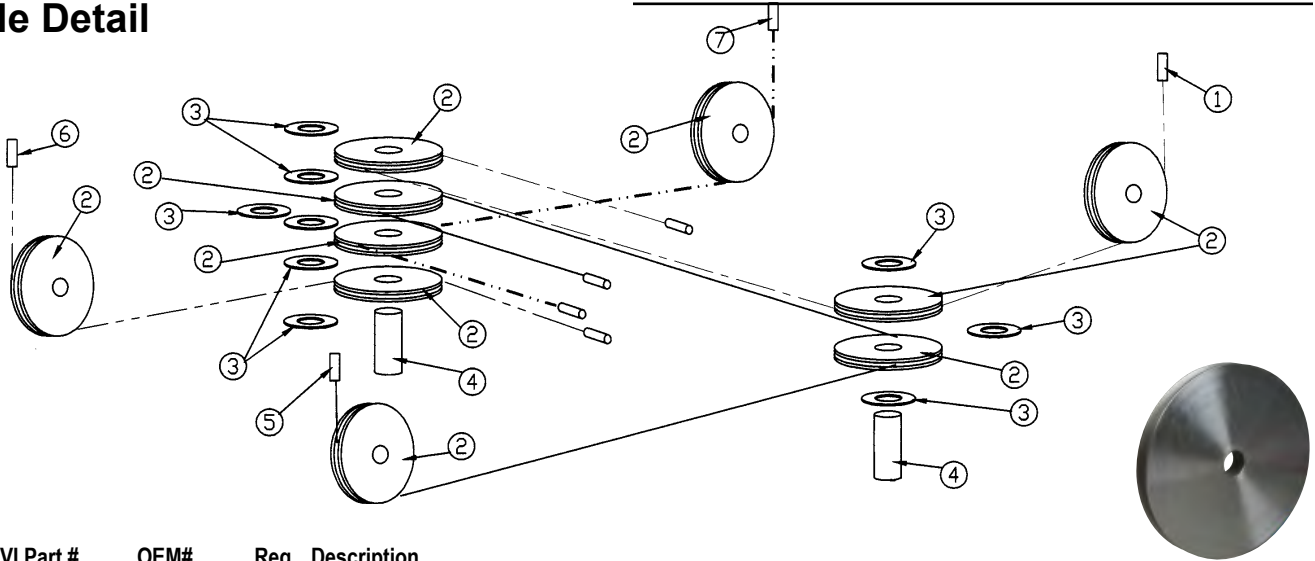


Item	SVI Part #	OEM#	Req	Description
1*	BH-7526-58	FC5222	2	Column
2*	call for details	FC5224-1	1	Rear Cross Member
3*	BH-7526-61	FC5223	1	Power Unit Column
4	call for details	P515	1	Power Unit
5	F-JN-1750-05		1	1-3/4-5 Jam Nut
6	F-HN-1750-05		1	1-3/4-5 Hex Nut
7	call for details	FC5225-10	1	Cable Plate
9	BH-7525-49	FC5160-12	1	Cable Plate Slider
10	BH-7526-79	FC5225-15	1	Hydraulic Cylinder
11	BH-7527-87	FC5225-23	1	Cylinder Pin
12*	BH-7527-14	FC5226-1	1	Front Cross Member
13*	BH-7526-57	FC5221	1	Column
14	BH-7526-81	FC5225-42	2	Wheel Stop (bolt on)
15*	call for details	FC5225-30	1	Right Runway (moveable)
16*	call for details	FC5225-44	1	Left Runway
17	BH-7525-70	FC5179-4	2	5/8" Push Nut
18	BH-7526-80	FC5225-39	2	Hinge Pin

* Custom order by request. Sample may be needed.

Item	SVI Part #	OEM#	Req	Description
19	F-CP-156-1000		2	5/32" x 1" Cotter Pin
20	BH-7526-90	FC5225-49	2	Hinge Bracket
21	BH-7526-92	FC5225-36	2	Approach Ramp
22	BH-7508-78	FC134-33	2	20" Ramp Slide
	BH-7508-78K	S100051		20" Ramp Slide KIT
23	F-JN-1125-07			1-1/8-7 Jam Nut
24	F-HN-1125-07			1-1/8-7 Hex Nut

Cable Detail



Page 106

Item	SVI Part #	OEM#	Req	Description
1	BH-7501-10	FC5225-7	1	Right Rear Cable
2	BH-7501-50	FC5225-2	10	Cable Sheave
3	BH-7501-51	FC5225-17		Spacer
4	BH-7501-52	FC5225-3	6	Sheave Pin
5	BH-7501-09	FC5225-6	1	Left Rear Cable
6	BH-7501-12	FC5225-4	1	Left Front Cable
7	BH-7501-11	FC5225-5	1	Right Front Cable

SVI warehouses are located in:
Baltimore • Chicago • Los Angeles

SVI is your answer!

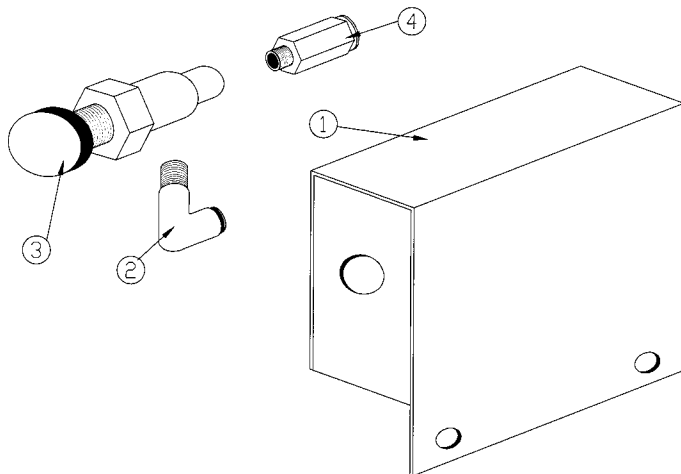
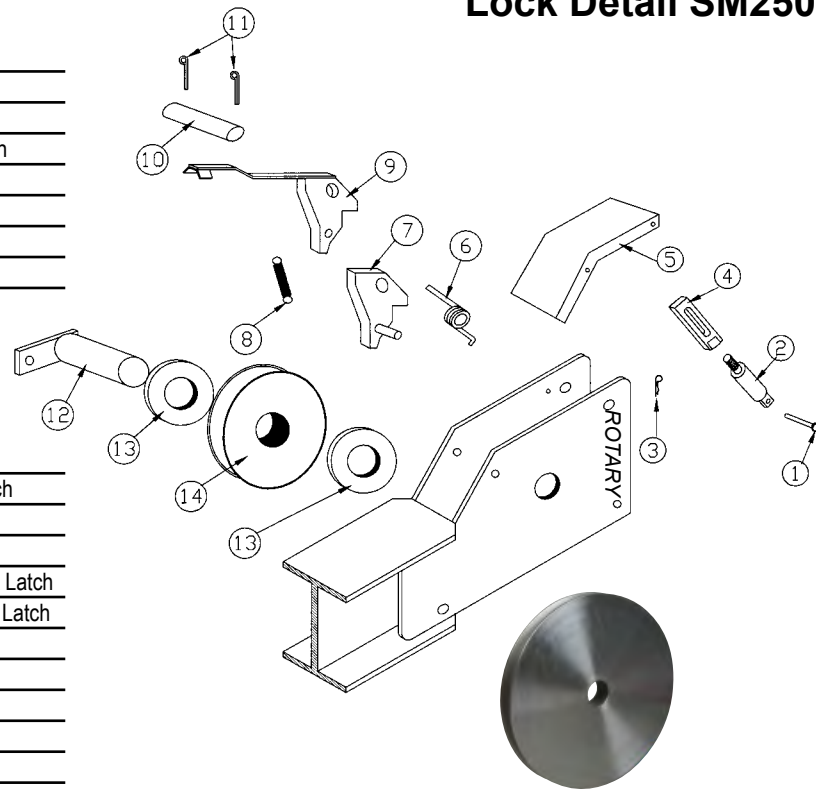
Model SM250

Lock Detail SM250

Item	SVI Part #	OEM#	Req	Description
1	BH-7526-67	FC5224-32	4	Clevis Pin
2	BH-7516-46	FC5224-33	4	Air Cylinder
3	F-CP-093-0500		8	3/32" x 1/2" Cotter Pin
4	BH-7516-47	FC5224-35	4	Slotted Bracket
5	BH-7526-65	FC5224-30	4	Protective Cover
6	BH-7501-59R	FC5224-31	2	Right Hand Spring
	BH-7501-59	FC5224-29	2	Left Hand Spring

**SVI lift repair parts,
one phone call does it all.**

Item	SVI Part #	OEM#	Req	Description
7	BH-7501-72	FC5224-16	2	Right Hand Lock Latch
	BH-7501-71	FC5224-13	2	Left Hand Lock Latch
8	BH-7501-61	FC522-25	4	Spring
9	BH-7501-74	FC5224-18	2	RH Slack Cable Lock Latch
	BH-7501-73	FC5224-20	2	LH Slack Cable Lock Latch
10	BH-7501-55	FC5224-17	4	Lock Shaft
11	F-CP-125-0500		8	1/8" x 1/2" Cotter Pin
12	BH-7501-44	FC5224-21	4	Sheave Pin
13	BH-7516-59	FC548-5	8	Spacer
14	BH-7501-50	FC5225-2	4	Cable Sheave



Air Valve

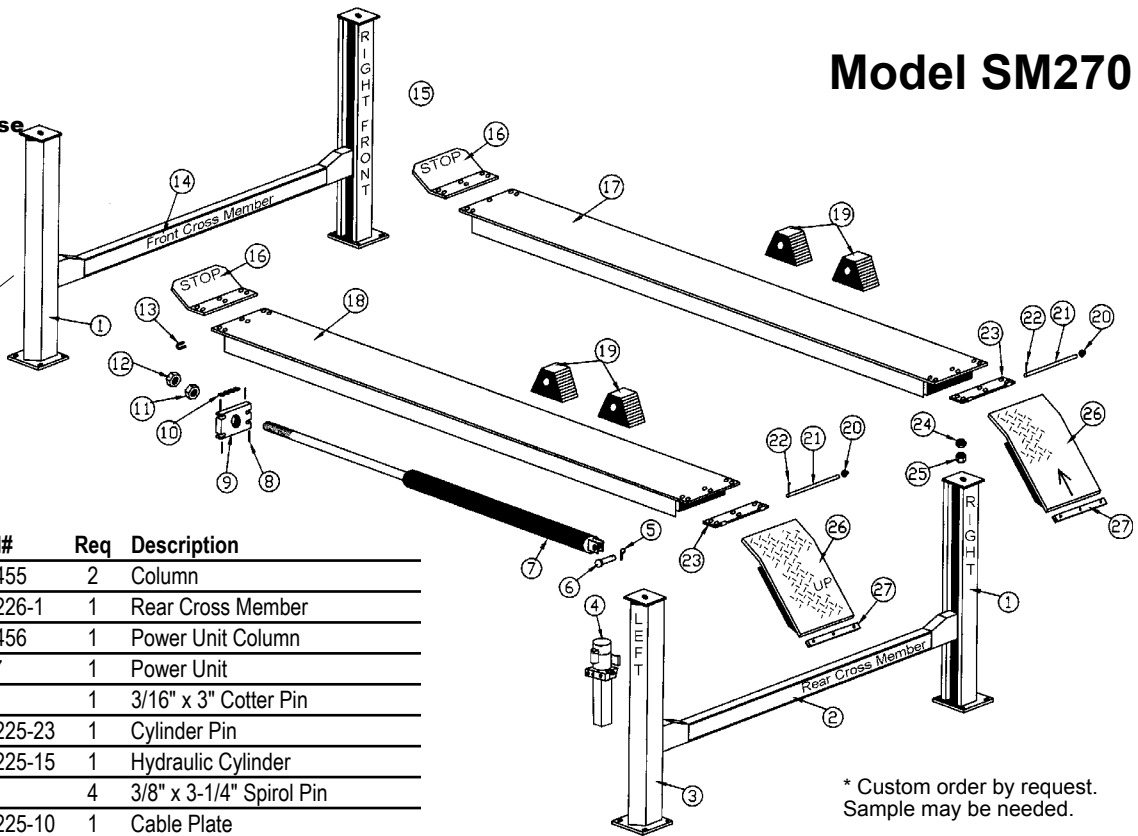
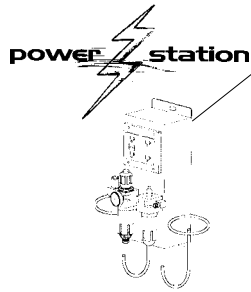
Item	SVI Part #	OEM#	Req	Description
1	BH-7514-11	FA3134-3	1	Air Valve Housing
2	BH-7527-07	FC5225-61	1	Elbow
3	BH-7503-61	FA3134-1	1	Air Valve
4	BH-7527-06	FC5225-60	1	Male Connector





Model SM270

Put a Power Station™ on your lift and increase shop efficiency.

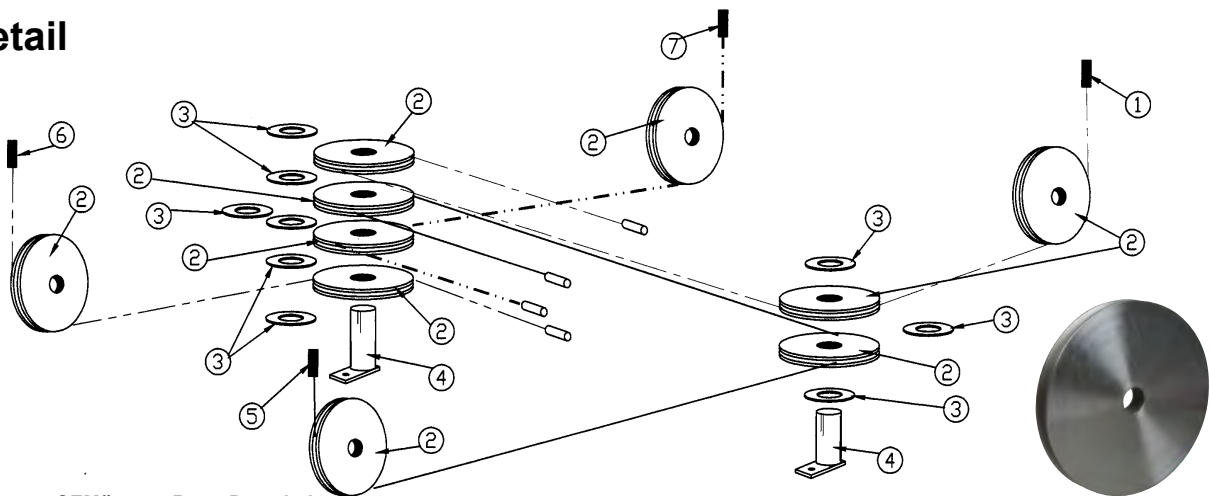


Item	SVI Part #	OEM#	Req	Description
1*	BH-7516-27	FC5455	2	Column
2*	BH-7527-14	FC5226-1	1	Rear Cross Member
3*	BH-7529-67	FC5456	1	Power Unit Column
4	call for details	P607	1	Power Unit
5	F-CP-187-3000		1	3/16" x 3" Cotter Pin
6	BH-7527-87	FC5225-23	1	Cylinder Pin
7	BH-7526-79	FC5225-15	1	Hydraulic Cylinder
8	F-SP-375-3250		4	3/8" x 3-1/4" Spirol Pin
9	call for details	FC5225-10	1	Cable Plate
10	BH-7525-49	FC5160-12		Cable Plate Slider
11	F-HN-1750-05		1	1-3/4-5 Hex Nut
12	F-JN-1750-05		1	1-3/4-5 Jam Nut
13	BH-7512-90	FJ716-6		1/16" Thick Blue Shim
14*	call for details	FC5224-1	1	Front Cross Member
15*	BH-7529-62	FC5454	1	Column
16	BH-7526-81	FC5225-42	2	Wheel Stop
17*	call for details	FC5386-5	1	Right Runway
18*	call for details	FC5386	1	Left Runway
19	BH-7524-62	FC337	4	Adjustable Wheel Wedge

Item	SVI Part #	OEM#	Req	Description
20	BH-7525-70	FC5179-4	2	5/8" Push Nut
21	BH-7526-87	FC5225-43	2	Hinge Pin
22	F-CP-156-1000		2	5/32" x 1" Cotter Pin
23	BH-7526-90	FC5225-49	2	Hinge Bracket
24	F-JN-1125-07		4	1-1/8-7 Jam Nut
25	F-HN-1125-07		4	1-1/8-7 Hex Nut
26	BH-7526-92	FC5225-36	2	Approach Ramp
27	BH-7508-78	FC134-33	2	20" Ramp Slide
	BH-7508-78K	S100051		20" Ramp Slide KIT

* Custom order by request. Sample may be needed.

Cable Detail



Item	SVI Part #	OEM#	Req	Description
1	BH-7501-10	FC5225-7	1	Right Rear Cable
2	BH-7501-50	FC5225-2	10	Cable Sheave
3	BH-7501-51	FC5225-17		Spacer
4	BH-7501-52	FC5225-3	6	Sheave Pin
5	BH-7501-09	FC5225-6	1	Left Rear Cable
6	BH-7501-12	FC5225-4	1	Left Front Cable
7	BH-7501-11	FC5225-5	1	Right Front Cable

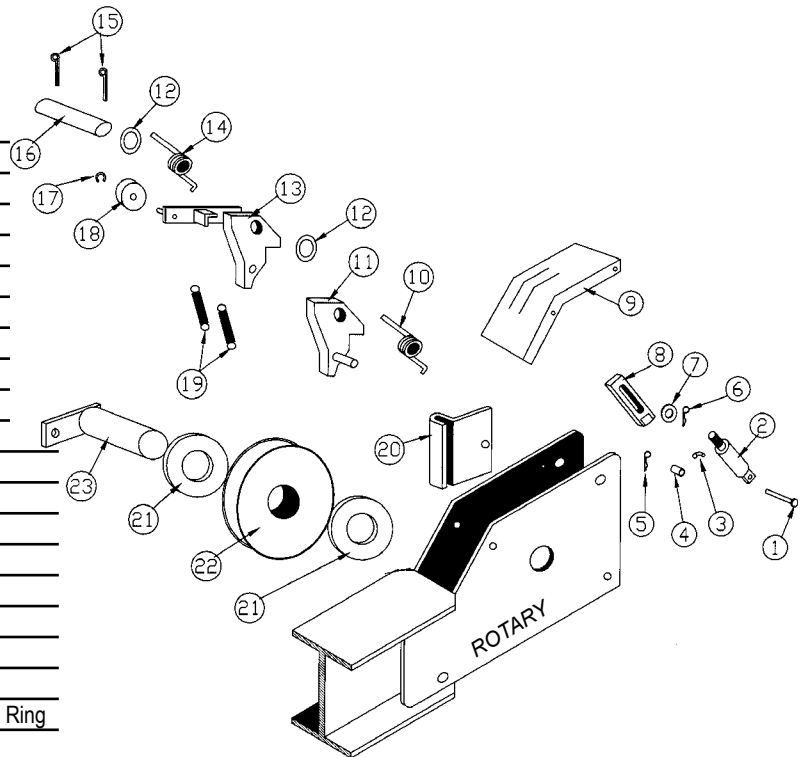
SVI warehouses are located in:
Baltimore • Chicago • Los Angeles

SVI is your answer!

Model SM270

Lock Detail SM270

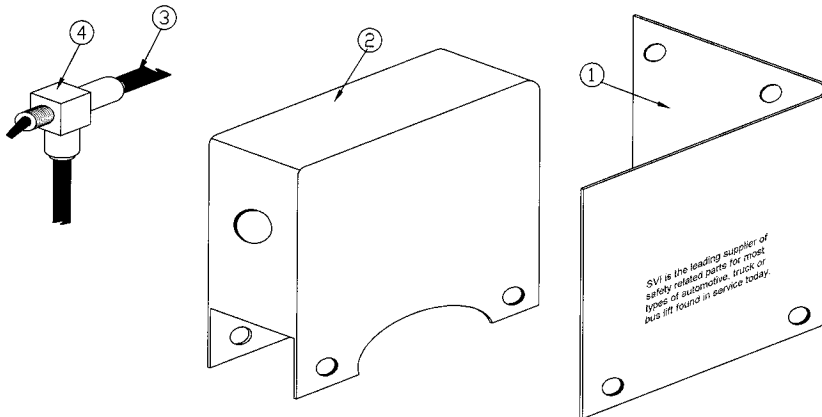
Item	SVI Part #	OEM#	Req	Description
1	BH-7526-67	FC5224-32	4	Clevis Pin
2	BH-7516-46	FC5224-33	4	Air Cylinder
3	BH-7501-56	FC5224-39	4	Elbow
4	BH-7526-69	FC5224-50	4	Spacer
5	F-CP-093-0500		4	3/32" x 1/2" Cotter Pin
6	F-CP-125-1250			1/8" x 1-1/4" Cotter Pin
7	F-FW-0375		4	3/8" Flatwasher
8	BH-7516-47	FC5224-35	4	Slotted Bracket
9	BH-7526-65	FC5224-30	4	Protective Cover
10	BH-7501-59R	FC5224-63	4	Right Hand Spring
11	BH-7501-72	FC5224-16	2	Right Hand Lock Latch
	BH-7501-71	FC5224-13	2	Left Hand Lock Latch
12	BH-7526-95	41387		Spacer
13	BH-7501-74	FC5224-70	2	RH Slack Cable Lock
	BH-7501-73	FC5224-71	2	LH Slack Cable Lock
14	BH-7501-59	FC5224-62	4	Left Hand Spring
15	F-CP-125-1250			1/8" x 1-1/4" Cotter Pin
16	BH-7501-55	FC5224-17	4	Lock Shaft
17	BH-7510-16			3/8" Walde's Truarc Klip Ring
18	BH-7516-32	FC5224-72	4	Sheave
19	BH-7501-61	FC522-25	8	Spring
20	BH-7508-99	FC5301-97	4	Slider
21	BH-7516-59	FC548-5	8	Anti-Friction Washer
22	BH-7501-50	FC5225-2	4	Cable Sheave
23	BH-7501-44	FC5224-21	4	Sheave Pin



Not Pictured

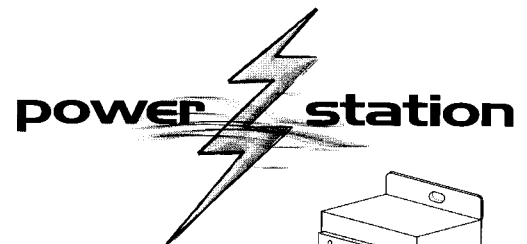
SVI Part #	OEM#	Description
BH-7516-48	FC5224-41	Long Air Tube
BH-7516-49	FC5224-42	Short Air Tube
BH-7526-88	FC5225-46	Tee 1/4" Air
BH-7516-31	FC5225-16	Hydraulic Hose
BH-7507-47	FJ7224	Elbow Adapter

Air Valve

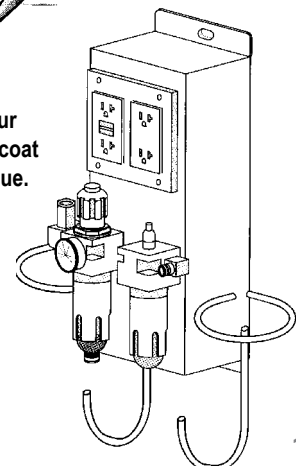


Item	SVI Part #	OEM#	Req	Description
1	BH-7507-08	FA2230-17	1	Bracket
2	BH-7514-11	FA3134-3	1	Air Valve Housing
3	see SVI air line product offering			Air Line
4	BH-7515-02	FA2273-3	1	Air Valve

SVI lift repair parts, one phone call does it all.



The BH-7069 is available in your choice of four attractive powder coat finishes: red, yellow, black or blue.

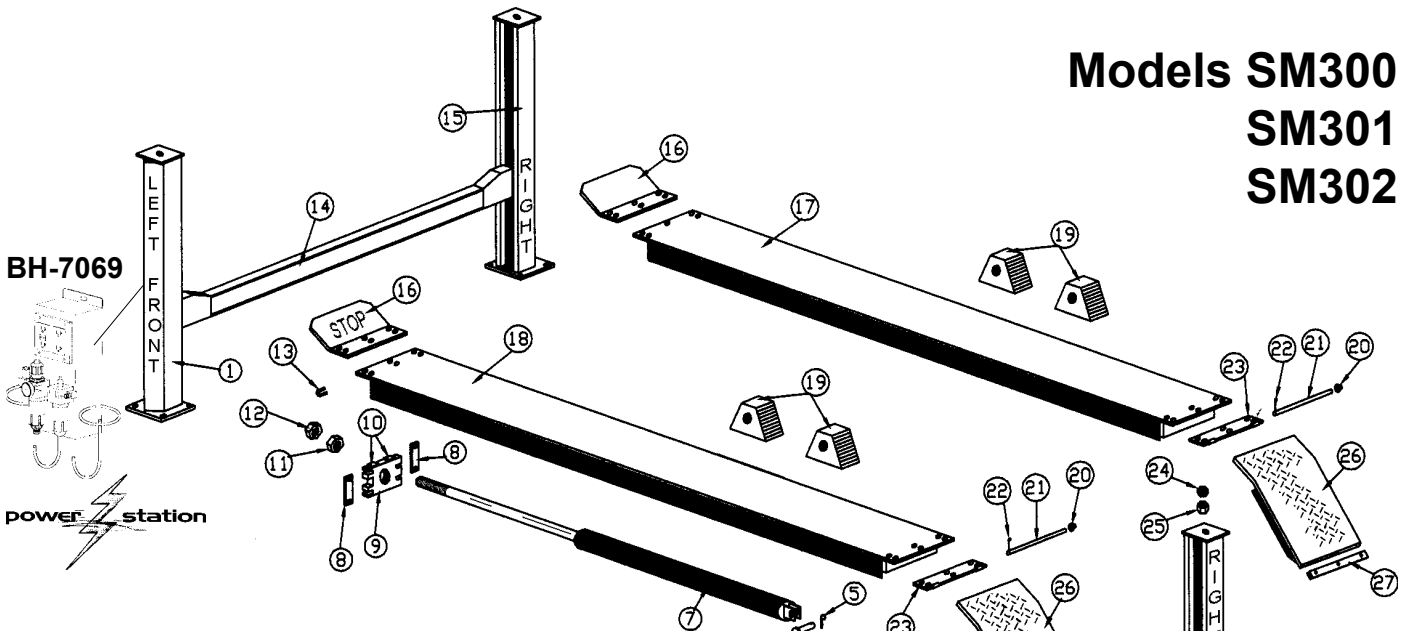


This Power Station™ is made for FOUR-POST lifts!

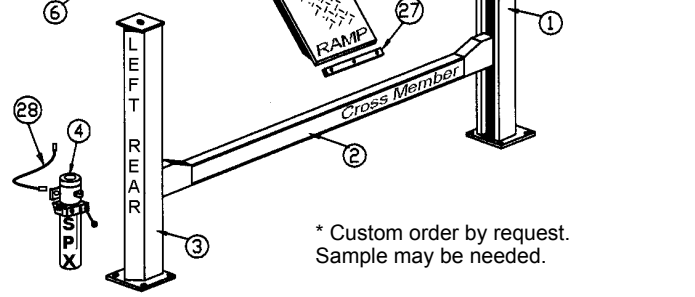
Install a Power Station today and increase shop efficiency.



Models SM300
SM301
SM302



Item	SVI Part #	OEM#	Req	Description
1*	BH-7516-27	FC5455	2	Column
2*	BH-7527-14	FC5226-1	1	Rear Cross Member
3*	BH-7529-67	FC5456	1	Power Unit Column
4	call for details	P828	1	Power Unit
5	F-CP-187-3000		1	3/16" x 3" Cotter Pin
6	BH-7527-87	FC5225-23	1	Cylinder Pin
7	BH-7531-24	FC5761	1	Hydraulic Cylinder
	BH-7531-24A	15474	1	Hydraulic Cylinder Seal Kit TH
8	BH-7527-88	FC5225-72	2	Cable Plate Retainer
9	BH-7527-89	FC5225-18	1	Cable Plate
10	BH-7525-49	FC5160-12		Cable Plate Slider
11	F-HN-1750-05		1	1-3/4-5 Hex Nut
12	F-JN-1750-05		1	1-3/4-5 Jam Nut
13	BH-7512-90	FJ716-6		1/16" Thick Blue Shim
14*	BH-7526-91	FC5224-1	1	Front Cross Member
15*	BH-7529-62	FC5454	1	Column
16	BH-7526-81	FC5225-42	2	Wheel Stop
17	call for details	FC5386-5	1	Right Runway SM300
	call for details	FC5441-5	1	Right Runway SM301
	call for details	FC5442-5	1	Right Runway SM302
18	call for details	FC5386	1	Left Runway SM300
	call for details	FC5441	1	Left Runway SM301
	call for details	FC5442	1	Left Runway SM302

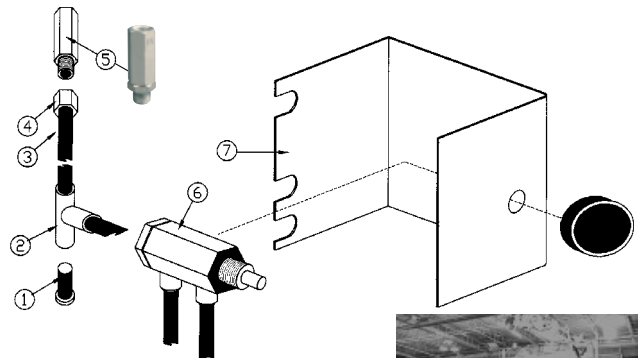


* Custom order by request. Sample may be needed.

Item	SVI Part #	OEM#	Req	Description
19	BH-7524-62	FC337	4	Adjustable Wheel Wedge
20	BH-7525-70	FC5179-4	2	5/8" Push Nut
21	BH-7526-80	FC5225-39	2	Hinge Pin
22	F-CP-156-1000		2	5/32" x 1" Cotter Pin
23	BH-7526-90	FC5225-49	2	Hinge Bracket
24	F-JN-1125-07		4	1-1/8-7 Jam Nut
25	F-HN-1125-07		4	1-1/8-7 Hex Nut
26	BH-7526-92	FC5225-36	2	Approach Ramp
27	BH-7508-78	FC134-33	2	20" Ramp Slide
	BH-7508-78K	S100051		20" Ramp Slide KIT
28	BH-7516-31	FC5225-16	1	Hydraulic Hose SM300
	BH-7529-16	FC5426-4	1	Hydraulic Hose SM301
	BH-7526-94	FC5427-4	1	Hydraulic Hose SM302

Air Valve

Item	SVI Part #	OEM#	Req	Description
1	BH-7507-07	FA2230-16		3/8" Plugger
2	BH-7507-04	FA2242-1		Union Tee
3	BH-7507-02	FA2230-15		3/8" Tubing (40' roll)
4	BH-7514-10	FA3134-13		Female Connector
5	BH-7514-09	FA3134-12		In-Line Filter
6	BH-7504-19K	N620		Air Valve (former FA3216)
7	BH-7504-19B	FA3217		Air Valve Bracket

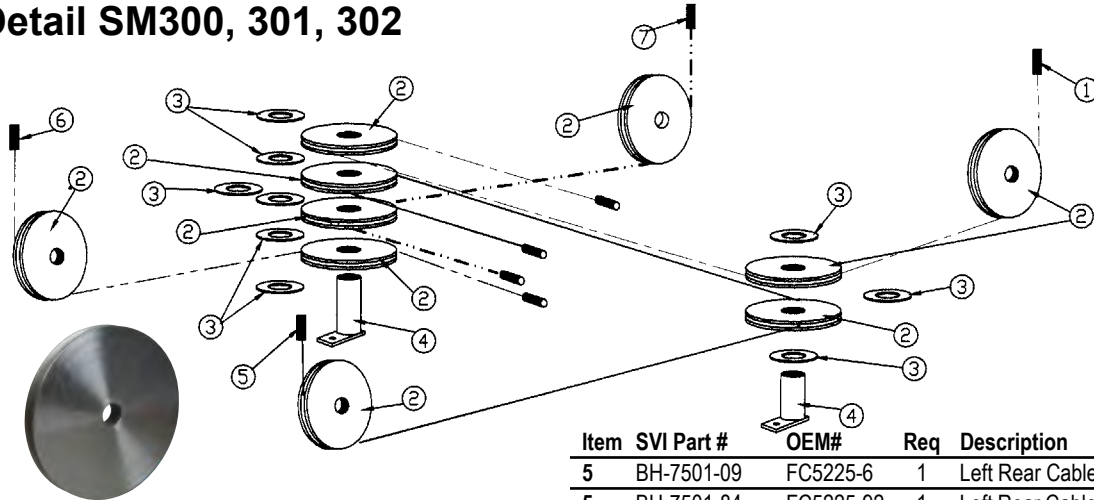


Rolling jack parts for this model are also available from SVI.

Note: See the shaded box on the next page for more air system components found on this lift model. SVI carries all the parts needed to keep the air lock system functioning.

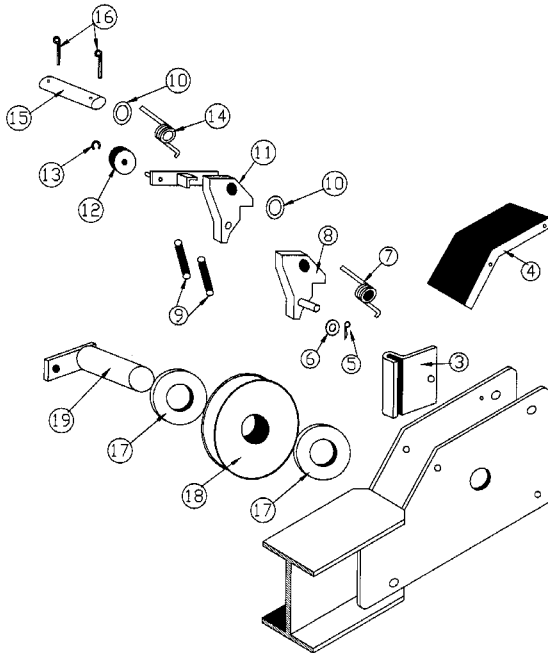


Cable Detail SM300, 301, 302



Item	SVI Part #	OEM#	Req	Description
1	BH-7501-10	FC5225-7	1	Right Rear Cable SM300
1	BH-7527-11	FC5225-91	1	Right Rear Cable SM301 & SM302
2	BH-7501-50	FC5225-2	10	Cable Sheave
3	BH-7501-51	FC5225-17		Anti-Friction Washer
4	BH-7501-52	FC5225-3	6	Sheave Pin

Item	SVI Part #	OEM#	Req	Description
5	BH-7501-09	FC5225-6	1	Left Rear Cable SM300
5	BH-7501-84	FC5225-92	1	Left Rear Cable SM301 & SM302
6	BH-7501-12	FC5225-4	1	Left Front Cable SM300
6	BH-7527-09	FC5225-88	1	Left Front Cable SM301
6	BH-7501-85	FC5225-94	1	Left Front Cable SM302
7	BH-7501-11	FC5225-5	1	Right Front Cable SM300
7	BH-7527-10	FC5225-89	1	Right Front Cable SM301
7	BH-7527-12	FC5225-93	1	Right Front Cable SM302



lock detail

Item	SVI Part #	OEM#	Req	Description
1	BH-7506-01	FC5706-6	4	Air Cylinder
2	BH-7501-56	FC5224-39	4	Elbow
3	BH-7508-99	FC5301-97	4	Slider
4	BH-7526-65	FC5224-30	4	Protective Cover
5	F-CP-125-1250			1/8" x 1-1/4" Cotter Pin
6	F-FW-0375		4	3/8" Washer
7	BH-7501-59R	FC5224-63	4	Right Hand Spring
8	BH-7531-25	FC5762	2	Right Hand Lock Latch
	BH-7531-26	FC5763	2	Left Hand Lock Latch
9	BH-7501-61	FC522-25	8	Spring
10	BH-7526-95	41387	8	Spacer
11	BH-7501-74	FC5224-70	2	RH Slack Cable Lock
	BH-7501-73	FC5224-71	2	LH Slack Cable Lock
12	BH-7516-32	FC5224-65	4	Sheave
13	BH-7510-16		4	3/8" Waldes Truarcl Klip Ring
14	BH-7501-59	FC5224-62	4	Left Hand Spring
15	BH-7501-55	FC5224-17	4	Lock Shaft
16	F-CP-125-1250			1/8" x 1-1/4" Cotter Pin
17	BH-7516-59	FC548-5		Anti-Friction Washer
18	BH-7501-50	FC5225-2		Cable Sheave
19	BH-7501-44	FC5224-21	4	Sheave Pin

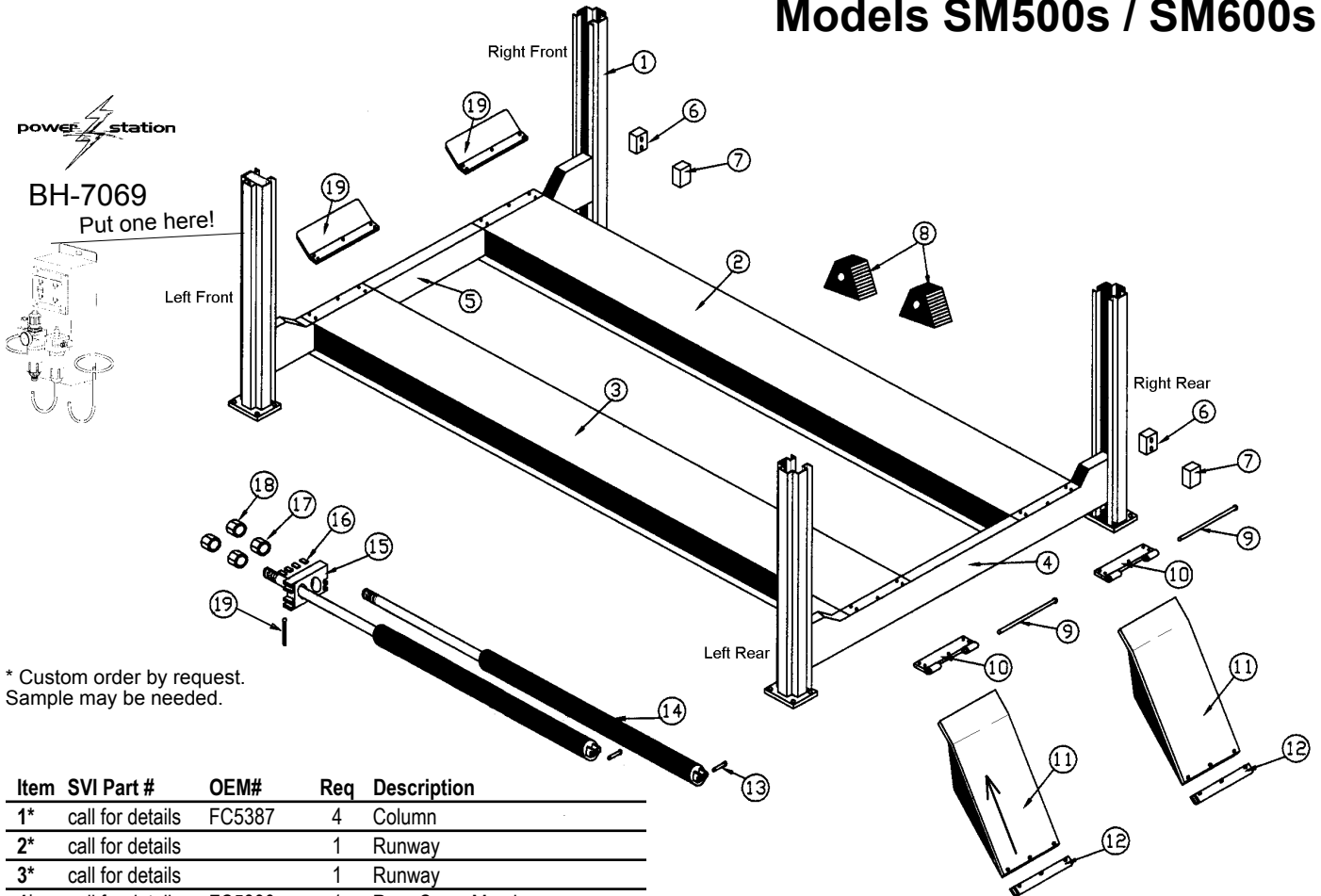
Airline System Components Not Pictured		
SVI Part #	OEM#	Description
BH-7516-48	FC5224-41	Long Air Tube
BH-7516-49	FC5224-42	Short Air Tube
BH-7526-88	FC5225-46	Tee 1/4" Air
BH-7507-47	FJ7224	Elbow Adapter
BH-7527-05	FC5225-56	1/4" Supply Air Line
BH-7527-13	FC5225-98	Union
BH-7524-30	FC147-3	Male Run Tee
BH-7524-32	FC147-4	3/8" Supply Airline
BH-7518-99	FC147-15	Coupler
BH-7529-22	FC5426-5	Main Airline
BH-7524-29	FC147-7	Male Elbow
BH-7518-97	FC147-1	Connector



SM302-200



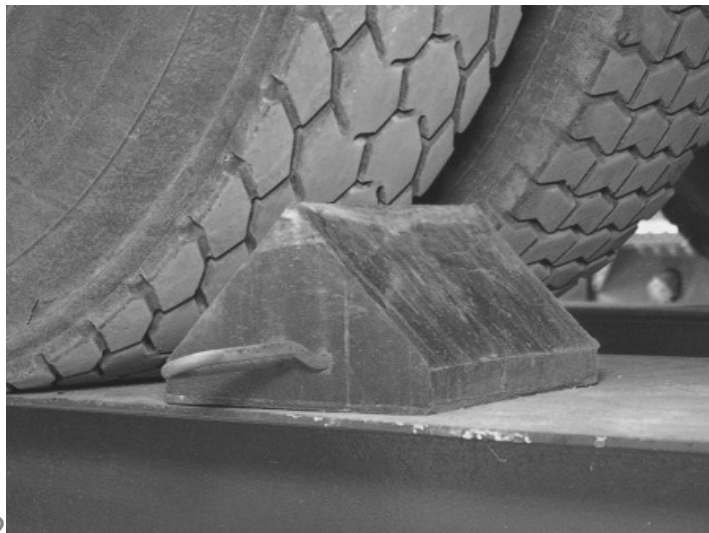
Models SM500s / SM600s



* Custom order by request.
Sample may be needed.

Item	SVI Part #	OEM#	Req	Description
1*	call for details	FC5387	4	Column
2*	call for details		1	Runway
3*	call for details		1	Runway
4*	call for details	FC5390	1	Rear Cross Member
5*	call for details	FC5389	1	Front Cross Member
6	call for details	FC5389-5	8	Holder
7	BH-7510-03	FJ7360	8	Slider Block (cup style)
	BH-7515-65	FJ5106	2	Shim and Slider Kit (1 carriage)
8	BH-7524-62	FC337	4	Adjustable Wheel Wedge
9	BH-7514-81	FC5388-54	2	Hinge Pin
10	BH-7514-82	FC5388-55	2	Hinge
11	BH-7514-80	FC5388-49	2	Approach Ramp
12	BH-7525-22	FC5142-3	2	Ramp Slide

Item	SVI Part #	OEM#	Req	Description
13	BH-7527-87	FC5225-23	2	Cylinder Pin
14	BH-7531-24	FC5761	2	Hydraulic Cylinder
	BH-7531-24A	15474	2	Hydraulic Cylinder Seal Kit TH
15	call for details	FC5388-9	1	Cable Plate
16	BH-7525-49	FC5160-12	8	Cable Plate Slider
17	F-HN-1750-05	40777	2	1-3/4-5 Hex Nut
18	F-JN-1750-05	40778	2	1-3/4-5 Jam Nut
19	F-SP-375-3250	14464	2	Spirol Roll Pin 3/8" x 3-1/4"

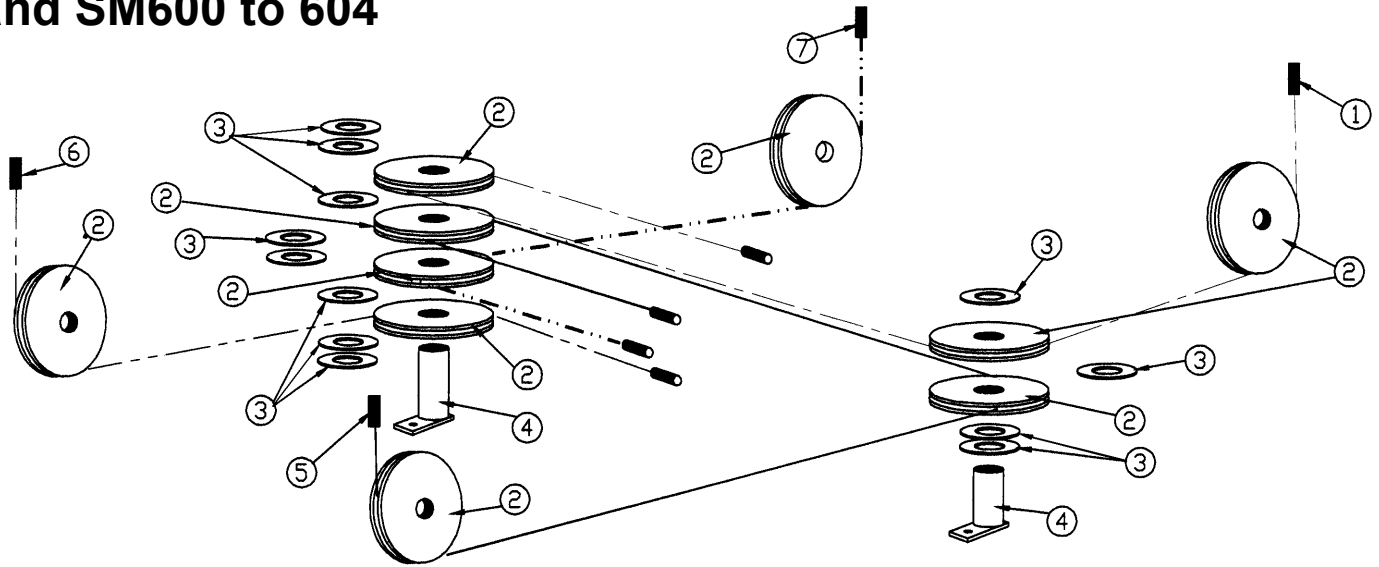


BH-7529-81 • Three Toggle Air Valve and Manifold
Ref OEM# FC5488-99
FITS: SM500 and SM600 Power Unit Control Consoles

See SVI air line information for air lock tubing and fittings or contact your favorite SVI representative.

Replacement Hydraulic Hoses are also available.

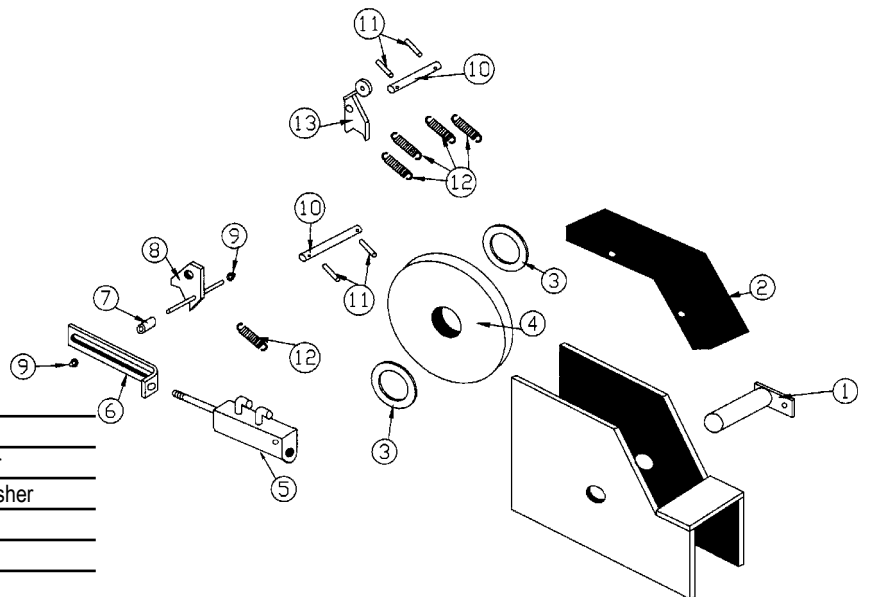
Cable Detail SM500 to 504 and SM600 to 604



Item	SVI Part #	OEM#	Req	Description
1	BH-7513-84	FC5388-8	1	Right Rear Cable SM500, SM600
1	BH-7529-01	FC5391-8	1	Right Rear Cable SM5/601, 02, 03
1	BH-7501-27	FC5556-8	1	Right Rear Cable SM504, SM604
2	BH-7513-77	FC5388-3	10	Cable Sheave
3	BH-7513-73	FC388-10		Anti-Friction Washer
4	BH-7513-75	FC5388-4	6	Sheave Pin
5	BH-7513-83	FC5388-7	1	Left Rear Cable SM500, SM600
5	BH-7529-00	FC5391-7	1	Left Rear Cable SM5/601, 02, 03
5	BH-7501-19	FC5556-7	1	Left Rear Cable SM504, SM604

Item	SVI Part #	OEM#	Req	Description
6	BH-7513-81	FC5388-5	1	Left Front Cable SM500, SM600
6	BH-7513-98	FC5391-5	1	Left Front Cable SM501, SM601
6	BH-7529-02	FC5392-5	1	Left Front Cable SM502, SM602
6	BH-7529-17	FC5428-5	1	Left Front Cable SM503, SM603
6	BH-7501-20	FC5556-5	1	Left Front Cable SM504, SM604
7	BH-7513-81	FC5388-5	1	Right Front Cable SM500, SM600
7	BH-7513-98	FC5391-5	1	Right Front Cable SM501, SM601
7	BH-7529-02	FC5392-5	1	Right Front Cable SM502, SM602
7	BH-7529-17	FC5428-5	1	Right Front Cable SM503, SM603
7	BH-7501-18	FC5556-6	1	Right Front Cable SM504, SM604

Lock Detail

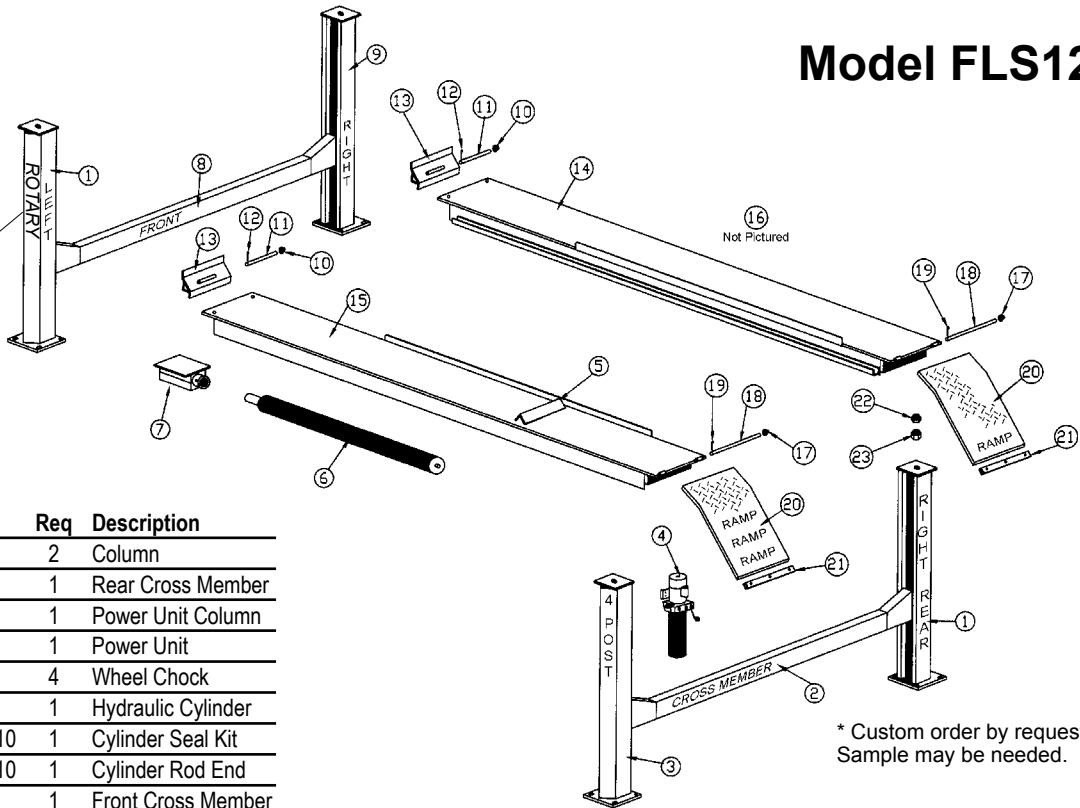


Item	SVI Part #	OEM#	Req	Description
1	BH-7513-88	FC5389-3		Sheave Pin
2	BH-7501-97	FC5389-32		Protective Cover
3	BH-7513-73	FC5388-10		Anti-Friction Washer
4	BH-7501-88	FC5389-2		Sheave
5	BH-7515-01	FA2273-20	4	Air Cylinder
6	BH-7516-47	FC5224-35	4	Slotted Bracket
7	BH-7517-50	FC5190-21		Spacer
8	BH-7513-92	FC5389-7	4	Lock Latch
9	F-JN-0250-28			1/4-28 Jam Nut
10	BH-7513-89	FC5389-33	4	Lock Shaft
11	F-SP-187-1250		16	3/16" x 1-1/4" Pin
12	BH-7513-97	FC5390-5		Spring
13	BH-7513-87	FC5389-12	4	Slack Cable Lock



Put a Power Station™ on your lift and increase shop efficiency.

Model FLS12

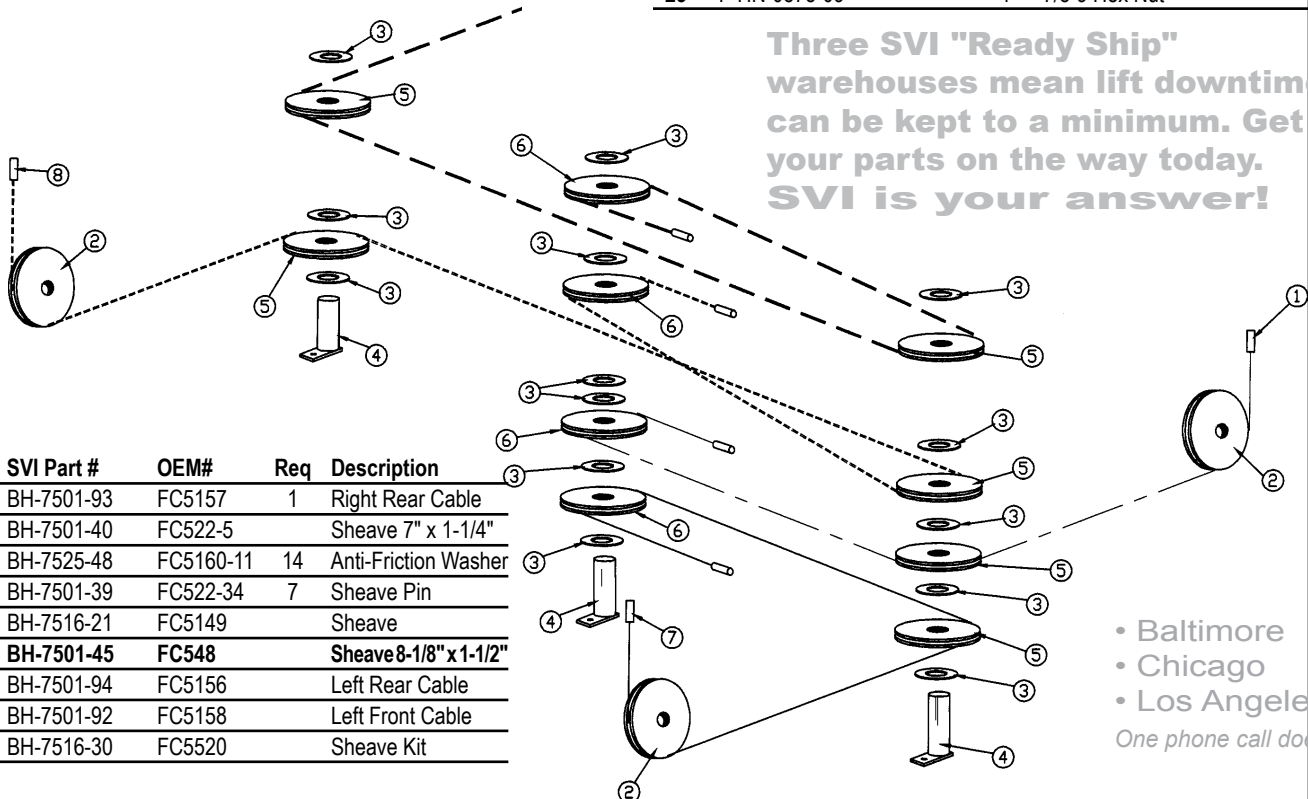


Item	SVI Part #	OEM#	Req	Description
1*	BH-7529-60	FC5452	2	Column
2*	call for details	FC5152	1	Rear Cross Member
3*	BH-7529-61	FC5453	1	Power Unit Column
4	BH-7517-38	FA782	1	Power Unit
5	BH-7508-89	FC320	4	Wheel Chock
6	BH-7516-23	FC5155	1	Hydraulic Cylinder
	BH-7512-22	FC5155-10	1	Cylinder Seal Kit
7*	call for details	FC5160-10	1	Cylinder Rod End
8*	call for details	FC5151	1	Front Cross Member
9*	call for details	FC5451	1	Column
10	BH-7525-70	FC5179-4	2	5/8" Push Nut
11	BH-7517-78	FC134-99	2	Hinge Pin
12	F-CP-156-1000		2	5/32" x 1" Cotter Pin
13	BH-7508-75	FC134-13	2	Front Wheel Stop
14*	call for details	FC5154	1	Right Runway
15*	call for details	FC5153	1	Left Runway
16*	call for details	FC5179-7	1	Handle

Item	SVI Part #	OEM#	Req	Description
17	BH-7525-70	FC5179-4	2	5/8" Push Nut
18	BH-7517-78	FC134-99	2	Hinge Pin
19	F-CP-156-1000		2	5/32" x 1" Cotter Pin
20	call for details	FC5180-1	2	Approach Ramp
21	BH-7508-78	FC134-33	2	20" Ramp Slide
	BH-7508-78K	S100051		20" Ramp Slide KIT
22	F-JN-0875-09		4	7/8-9 Jam Nut
23	F-HN-0875-09		4	7/8-9 Hex Nut

* Custom order by request. Sample may be needed.

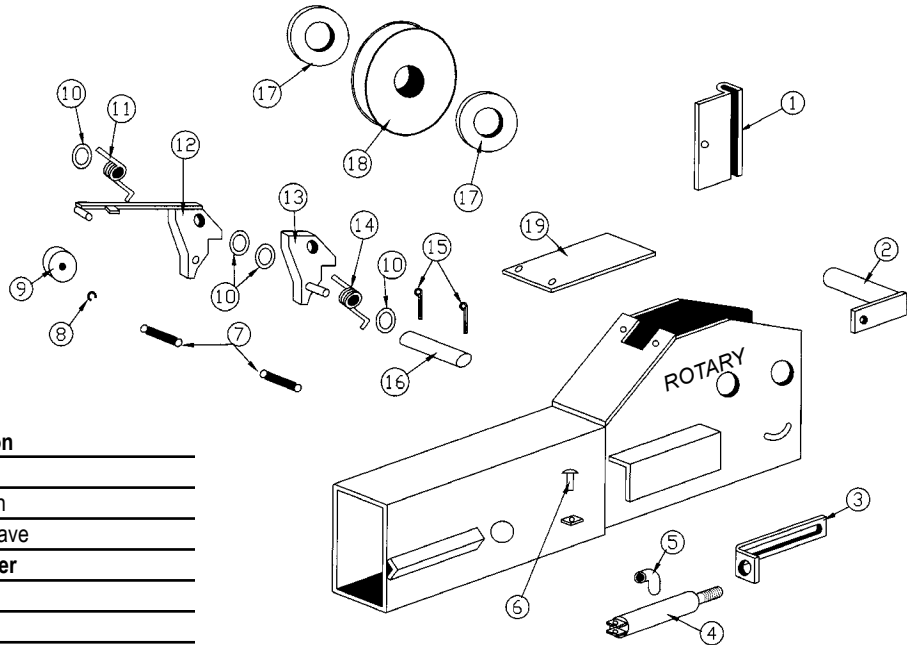
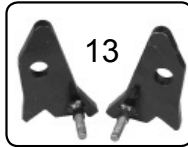
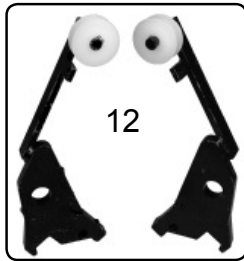
Three SVI "Ready Ship" warehouses mean lift downtime can be kept to a minimum. Get your parts on the way today. SVI is your answer!



Item	SVI Part #	OEM#	Req	Description
1	BH-7501-93	FC5157	1	Right Rear Cable
2	BH-7501-40	FC522-5		Sheave 7" x 1-1/4"
3	BH-7525-48	FC5160-11	14	Anti-Friction Washer
4	BH-7501-39	FC522-34	7	Sheave Pin
5	BH-7516-21	FC5149		Sheave
6	BH-7501-45	FC548		Sheave 8-1/8" x 1-1/2"
7	BH-7501-94	FC5156		Left Rear Cable
8	BH-7501-92	FC5158		Left Front Cable
--	BH-7516-30	FC5520		Sheave Kit

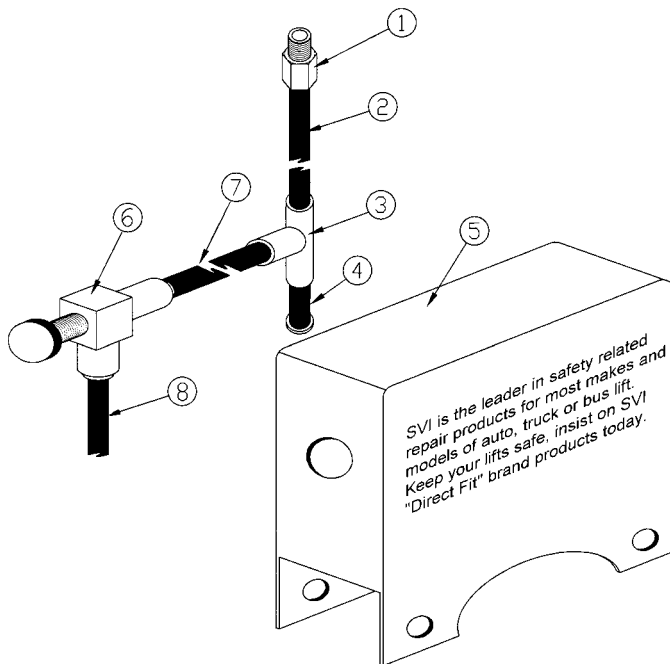
• Baltimore
• Chicago
• Los Angeles
One phone call does it all.

Lock Detail FLS12



Item	SVI Part #	OEM#	Req	Description
1	BH-7508-99	FC5301-97	4	Slider
2	BH-7501-39	FC522-34	4	Sheave Pin
3	BH-7501-40	FC522-5	4	Cable Sheave
4	BH-7501-53	FA2230-1	4	Air Cylinder
5	BH-7501-56	FA5224-39	4	Elbow
6	BH-7507-06	FA2230-12	4	Clevis Pin
7	BH-7501-61	FC522-25	8	Spring
8	call for details	41410	4	3/8" Waldes Truarc Klip Ring
9	BH-7517-24	FC553-21	4	Sheave
10	BH-7510-15	FC5301-98	8	Spacer
11	BH-7501-59R	FC5224-63	4	Right Hand Spring
12	BH-7501-54/54R		2	RH/LH Slack Cable Lock Kit
13	BH-7501-60/60A		1	RH & LH Lock Pawl Kit

Item	SVI Part #	OEM#	Req	Description
14	BH-7501-59	FC5224-62	4	Left Hand Spring
15	F-CP-125-1250		8	1/8" x 1-1/4" Cotter Pin
16	BH-7501-55	FC5224-17	4	Lock Shaft
17	BH-7501-42S	FC522-69		Anti-Friction Washer .060 thick
	BH-7501-43S	FC522-70		Anti-Friction Washer .030 thick
18	BH-7501-40	FC522-5	4	Cable Sheave
19	BH-7516-76	FC553-10	4	Rubber Cover



Item	SVI Part #	OEM#	Req	Description
1	BH-7507-03	FA3134-7		Male Connector
2	BH-7507-02	FA2230-15		3/8" x 40' Air Line Tube
3	BH-7507-04	FA2242-1		Union Tee
4	BH-7507-07	FA2230-16		3/8" Plugger
5	BH-7514-11	FA3134-3		Air Valve Housing
6	BH-7503-99	FA3134-10		Air Valve
7	call for details	FA3134-11		1/4" Tubing
8	call for details	FA3134-9		1/4" Tubing



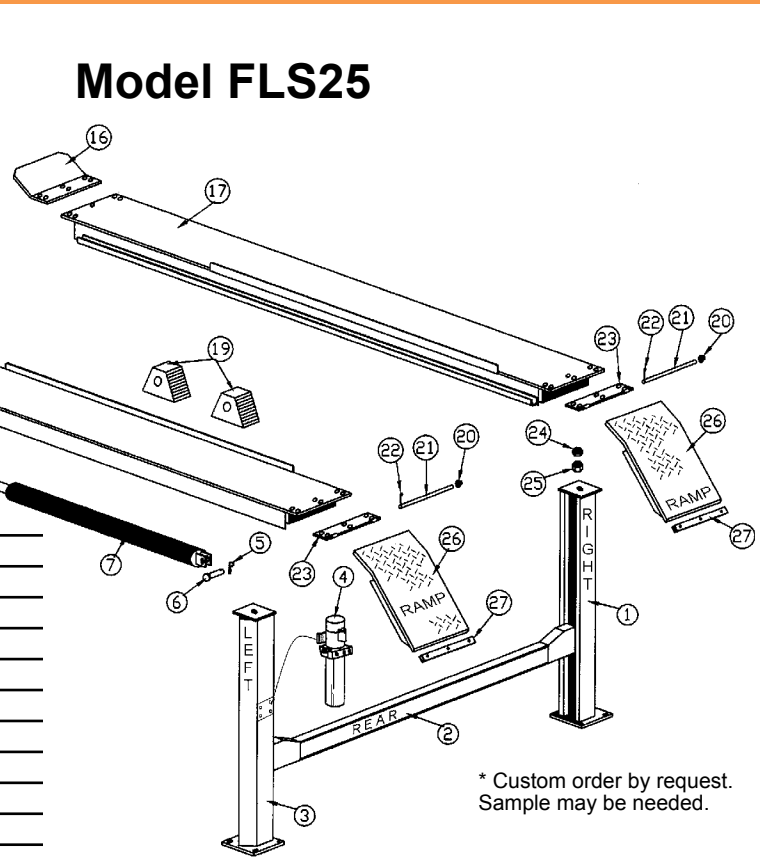
Put a Power Station™ on your lift and increase shop efficiency.

power station

Model FLS25

BH-7069

Item	SVI Part #	OEM#	Req	Description
1*	BH-7516-27	FC5455	2	Column
2*	call for details	FC5256-1	1	Rear Cross Member
3*	BH-7529-67	FC5456	1	Power Unit Column
4	call for details		1	Power Unit
5	F-CP-187-3000	41253	1	3/16" x 3" Cotter Pin
6	call for details	FC5225-23	1	Clevis Pin
7	BH-7526-79	FC5225-15	1	Hydraulic Cylinder
8	F-SRP-0375-3250	14464	4	3/8" x 3-1/4" Spirol Roll Pin
9	BH-7527-89	FC5225-18	1	Cable Plate
10	BH-7525-49	FC5160-12	4	Cable Plate Slider
11	F-HN-1750-05		1	1-3/4" x 5 Hex Nut
12	F-JN-1750-05		1	1-3/4" x 5 Jam Nut
13	BH-7512-90	FJ716-6		1/16" Blue Shim
14*	call for details	FC5255-1	1	Front Cross Member
15*	BH-7529-62	FC5454	1	Column
16	BH-7526-81	FC5225-42	2	Wheel Chock
17*	call for details	FC5254-9	1	Right Runway
18*	call for details	FC5254	1	Left Runway
19	BH-7524-62	FC337	4	Adjustable Wheel Stop
20	BH-7525-70	FC5179-4		5/8" Push Nut

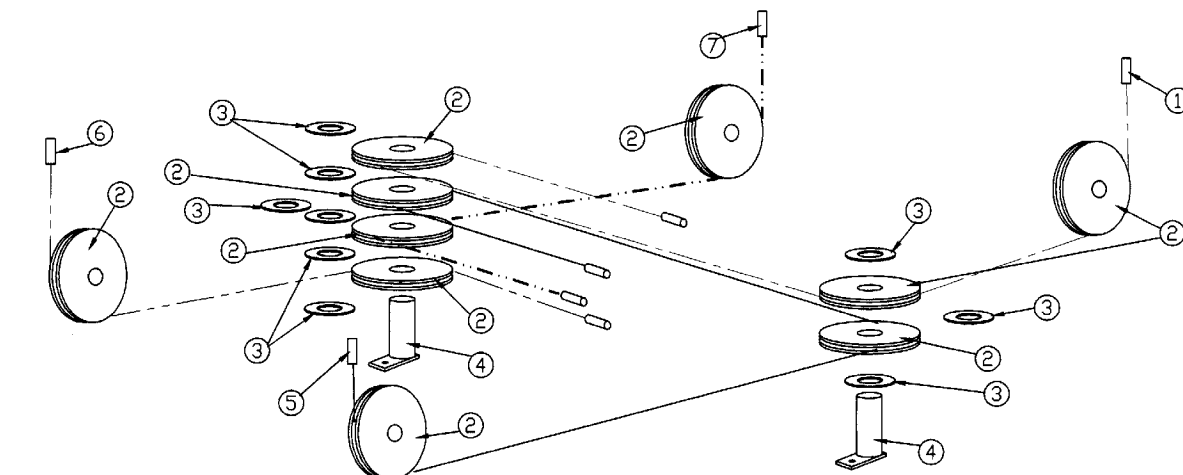


* Custom order by request. Sample may be needed.

Item	SVI Part #	OEM#	Req	Description
21	BH-7526-87	FC5225-43	2	Hinge Pin
22	F-CP-156-1000	41202	2	5/32" x 1" Cotter Pin
23	BH-7526-90	FC5225-49	1	Hinge Plate
24	F-JN-1750-05		1	1-3/4" x 5 Jam Nut
25	F-HN-1750-05		1	1-3/4" x 5 Hex Nut
26	call for details	FC5254-14	2	Approach Ramp
27	BH-7508-78	FC134-33	2	20" Ramp Slide
	BH-7508-78K	S100051		20" Ramp Slide KIT

Page

116



Item	SVI Part #	OEM#	Req	Description
1	BH-7501-83	FC5254-6	1	Right Rear Cable
2	BH-7501-50	FC5225-2	10	Cable Sheave
3	BH-7501-51	FC5225-17		Spacer
4	BH-7501-52	FC5225-3	6	Sheave Pin
5	BH-7501-81	FC5254-5	1	Left Rear Cable
6	BH-7501-80	FC5254-3	1	Left Front Cable
7	BH-7501-82	FC5254-4	1	Right Front Cable

SVI is an American owned enterprise.

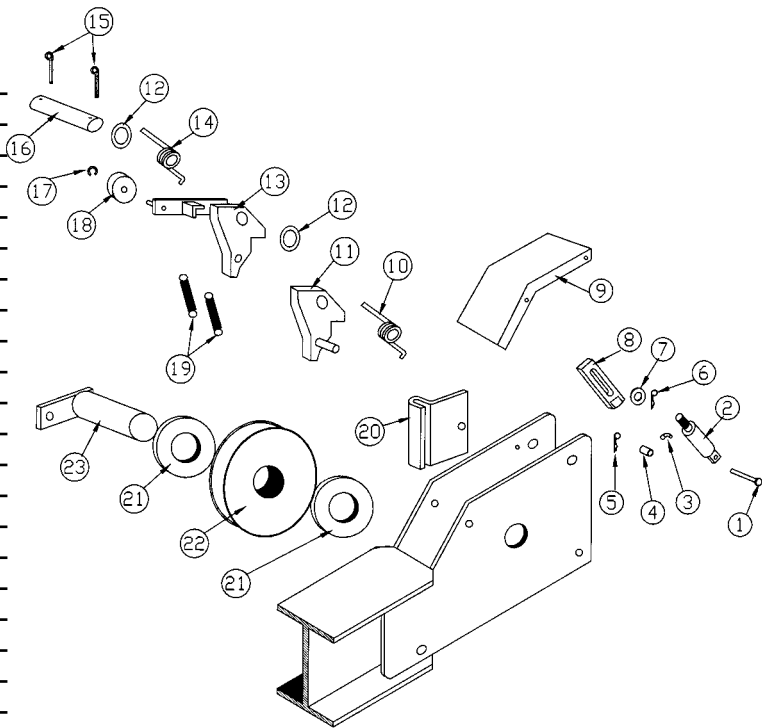
www.sviinternational.com

Where lift parts are always available.

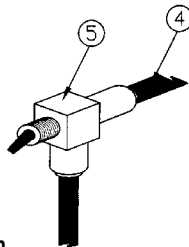
Model FLS25

Lock Detail FLS25 Series

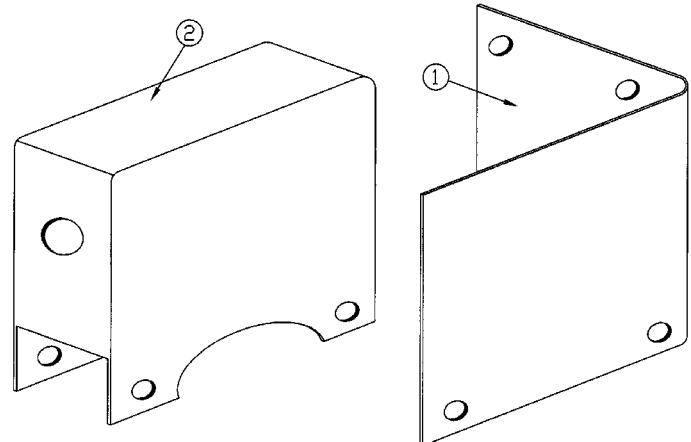
Item	SVI Part #	OEM#	Req	Description
1	BH-7526-67	FC5224-32		Clevis Pin
2	BH-7516-46	FC5224-33	4	Air Cylinder
3	BH-7501-56	FC5224-39	4	Elbow
4	BH-7526-69	FC5224-50	4	Spacer
5	F-CP-093-0500		4	3/32" x 1/2" Cotter Pin
6	F-CP-125-1250		4	1/8" x 1-1/4" Cotter Pin
7	F-FW-0375-SAE		4	3/8" Washer
8	BH-7516-47	FC5224-35	4	Slotted Bracket
9	BH-7526-65	FC5224-30	4	Protective Cover
10	BH-7501-59R	FC5224-63	4	RH Spring
11	BH-7501-72	FC5224-16	2	RH Lock Latch
	BH-7501-71	FC5224-13	2	LH Lock Latch
12	BH-7526-95	41387	4	Spacer
13	BH-7501-74	FC5224-70	2	RH Slack Cable Lock Latch
	BH-7501-73	FC5224-71	2	LH Slack Cable Lock Latch
14	BH-7501-59	FC5224-62	4	LH Spring
15	F-CP-125-1250	41201	8	1/8" x 1-1/4" Cotter Pin
16	BH-7501-55	FC5224-17	4	Lock Shaft
17	call for details	41409	4	3/8" Waldes Truarc
18	BH-7516-32	FC5224-65	4	Sheave
19	BH-7501-61	FC522-25	8	Spring
20	BH-7508-99	FC5301-97	4	Slider
21	BH-7516-59	FC548-5	8	Bearing
22	BH-7501-50	FC5225-2	4	Cable Sheave
23	BH-7501-44	FC5224-21	4	Sheave Pin



Air Valve Details



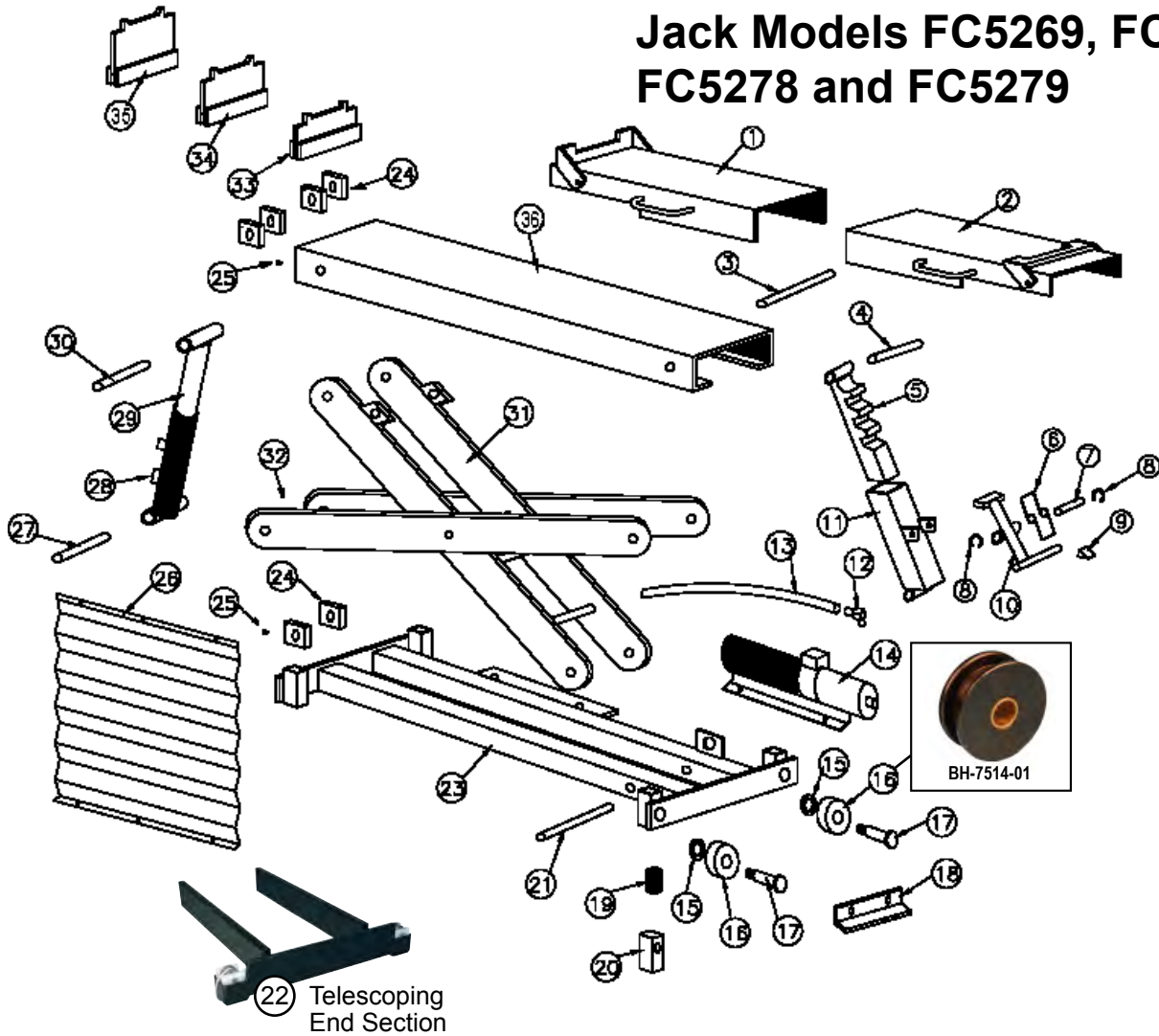
Item	SVI Part #	OEM#	Req	Description
1	BH-7507-08	FA2230-17	1	Bracket
2	BH-7514-11	FA3134-3	1	Air Valve Housing
4	call for details	FA3134-11	1	Air Line
5	BH-7515-02	FA2273-3	1	Air Valve (toggle switch style)



Not Pictured		
SVI Part #	OEM#	Description
BH-7526-88	FC5225-46	Union Tee
call for details	FC5225-55	Main Air Line
call for details	FC5225-54	Short Air Line Elbow
BH-7527-05	FC5225-56	Supply Air Line
BH-7516-31	FC5225-16	Power Unit Hose
BH-7507-47	FJ7224	Hyd Elbow Fitting



Jack Models FC5269, FC5277, FC5278 and FC5279



22 Telescoping End Section

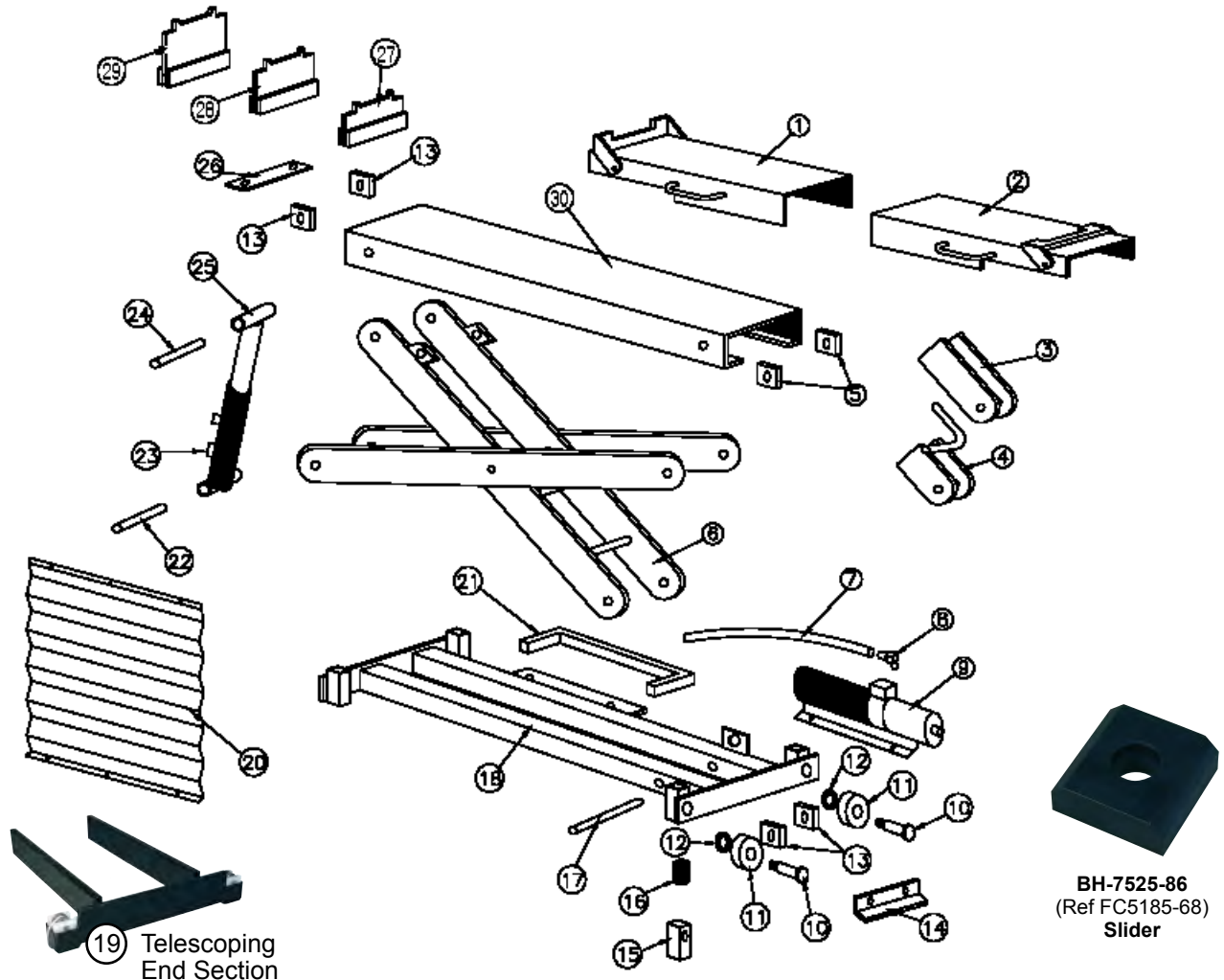
Item	SVI Part #	OEM#	Req	Description
1	BH-7514-55	FC5185-7	1	Left Sliding Base & Adapter
2	BH-7525-73	FC5185-10	1	Right Sliding Base & Adapter
3	BH-7516-37	FC5185-5	1	Shaft
4	BH-7525-93	FC5185-9	1	Lock Bar Pin
5	BH-7525-75	FC5185-14	1	Lock Bar
6	BH-7517-30	FC5141-15	1	Spring
7	BH-7525-19	FC5141-12	1	Spring Pin
8	BH-7510-16		2	3/8" Klipping
9	BH-7504-12	FC5141-16	1	Clip
10	BH-7501-70	FC5141-2	1	Latch
11	BH-7525-18	FC5141-1	1	Lock Bar Sleeve
12	BH-7525-52	FC5163-2	1	Elbow
13	BH-7512-18	FC5110	1	19" Hydraulic Hose Assembly
14	Available! Call to order. Call with details/number off current pump.			
15	BH-7514-03	FC5277-20	4	Roller Spacer
16	BH-7514-01	FC5185-51	4	Roller Wheel
17	BH-7514-08	FC67-29H	4	Roller Axle
18	BH-7504-35	FC5270-22	2	Retainer Angle for FC5269
	BH-7525-15	FC5124-2	2	Retainer Angle for FC5277, FC5278, FC5279

Item	SVI Part #	OEM#	Req	Description
19	BH-7514-05	FC5277-10	4	Spring
20	BH-7514-06	FC67-28H	4	Inner Guide
21	BH-7516-35	FC5185-4	1	Lower Shaft
22	BH-7514-07	FC5277-5	2	Telescoping End Section for FC5277, FC5278, FC5279
23	BH-7516-33	FC5185-40	1	Base Structure for FC5269
	BH-7504-45	FC5277-2	1	Base Structure for FC5277, FC5278, FC5279
24	BH-7525-85	FC5185-67	4	Slider Block
25	F-RP-187-1750		8	3/16" x 1-3/4" Roll Pin
26	BH-7525-27	FC5144-1	2	Accordion Guard Panel
27	BH-7516-34	FC5185-21	1	Bottom Cylinder Pin
28	call for details	FC5185-45	1	Elbow
29	BH-7516-24	FC5185-20	1	Hydraulic Cylinder
	BH-7516-03	FC5410	1	Hydraulic Cylinder Seal Kit
30	BH-7525-93	FC5185-9	1	Top Cylinder Pin
31	BH-7525-77	FC5185-19	1	Cylinder Scissor Assembly
32*	call for details		1	Scissor Assembly
33	BH-7514-54	FC5108	2	Height Extension - (3")
34	BH-7514-35	FC579	2	Height Extension - (5")
35	BH-7514-54A	FC5108x	2	Height Extension - (8")
36	BH-7525-84	FC5185-6	1	Top Plate Channel

* Custom order by request. Sample may be needed.



Jack Model FC5655, FC5656 and FC5657



Item	SVI Part #	OEM#	Req	Description
1	BH-7530-69	FC5701		L.H. Sliding Adapter
2	BH-7530-68	FC5700		R.H. Sliding Adapter
3	BH-7530-33	FC5634		Long Lock Dog
4	BH-7530-32	FC5633		Short Lock Dog
5	BH-7525-85	FC5185-67		Slider
6	BH-7530-21	FC5631		Link Weld Assembly
7	BH-7512-18	FC5110		Hose
8	BH-7525-52	FC5163-2		Elbow
9	BH-7515-42	FC5269-4		Pump for FC5655
	BH-7515-44	FC5275-3		Pump for FC5656
	BH-7515-46	FC5278-1		Pump for FC5657
10	BH-7514-08	FC67-29H		Axle
11	BH-7514-01	FC5185-51		Roller
12	BH-7514-03	FC5277-20		Washer
13	BH-7525-86	FC5185-68		Slider
14	BH-7525-15	FC5124-2		Retainer

Item	SVI Part #	OEM#	Req	Description
15	BH-7514-06	FC67-28H		Inner Guide
16	BH-7514-05	FC5277-10		Spring
17	BH-7530-30	FC5630		Pin
18	call for details	FC5628		Lower Channel Assembly
19	BH-7514-07	FC5277-5		Telescoping End Section
20	BH-7525-27	FC5144-1		Guard
21	BH-7504-46	FC5277-32		Strip Grommet
22	BH-7530-40	FC5640		Lower Cylinder Pin
23	call for details	FC5186-46		Elbow Adapter
24	BH-7530-34	FC5639		Upper Cylinder Pin
25	BH-7509-71	FC5642		Hydraulic Cylinder
	BH-7530-41	FC5642-12TH		Hydraulic Cylinder Seal Kit
26	BH-7509-70	FC5629		Link Retainer Bar
28	BH-7514-54	FC5108		Auxiliary Adapter (3")
27	BH-7514-35	FC579		Auxiliary Adapter (5")
29	BH-7514-54A	FC5108x		Auxiliary Adapter (8")
30	BH-7530-70	FC5702		Upper Channel Assembly

* Custom order by request. Sample may be needed.

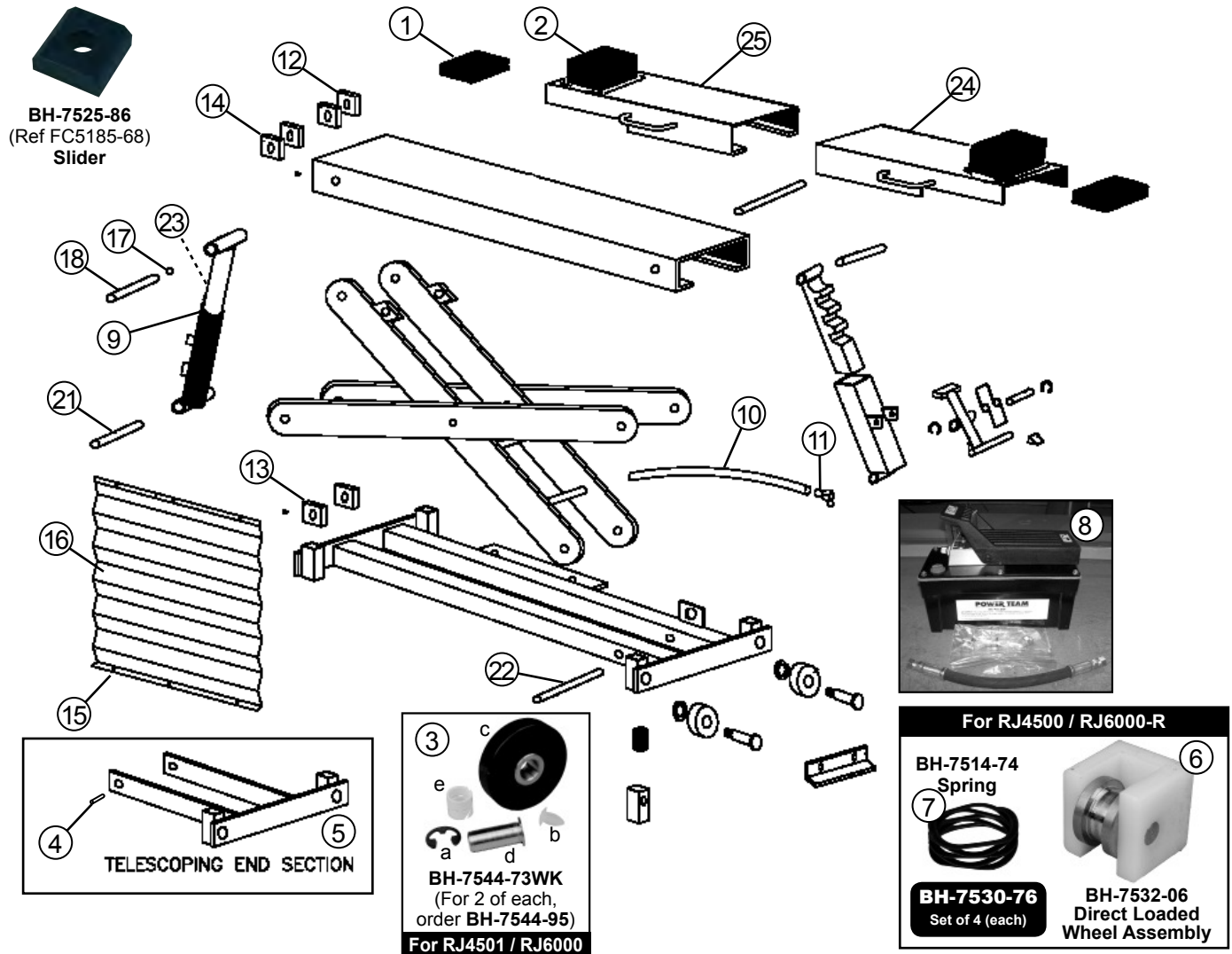


Baltimore • Chicago • Los Angeles

Rapid Fire Response...



Jack Models RJ4500, RJ4501, RJ6000 and RJ6000-R

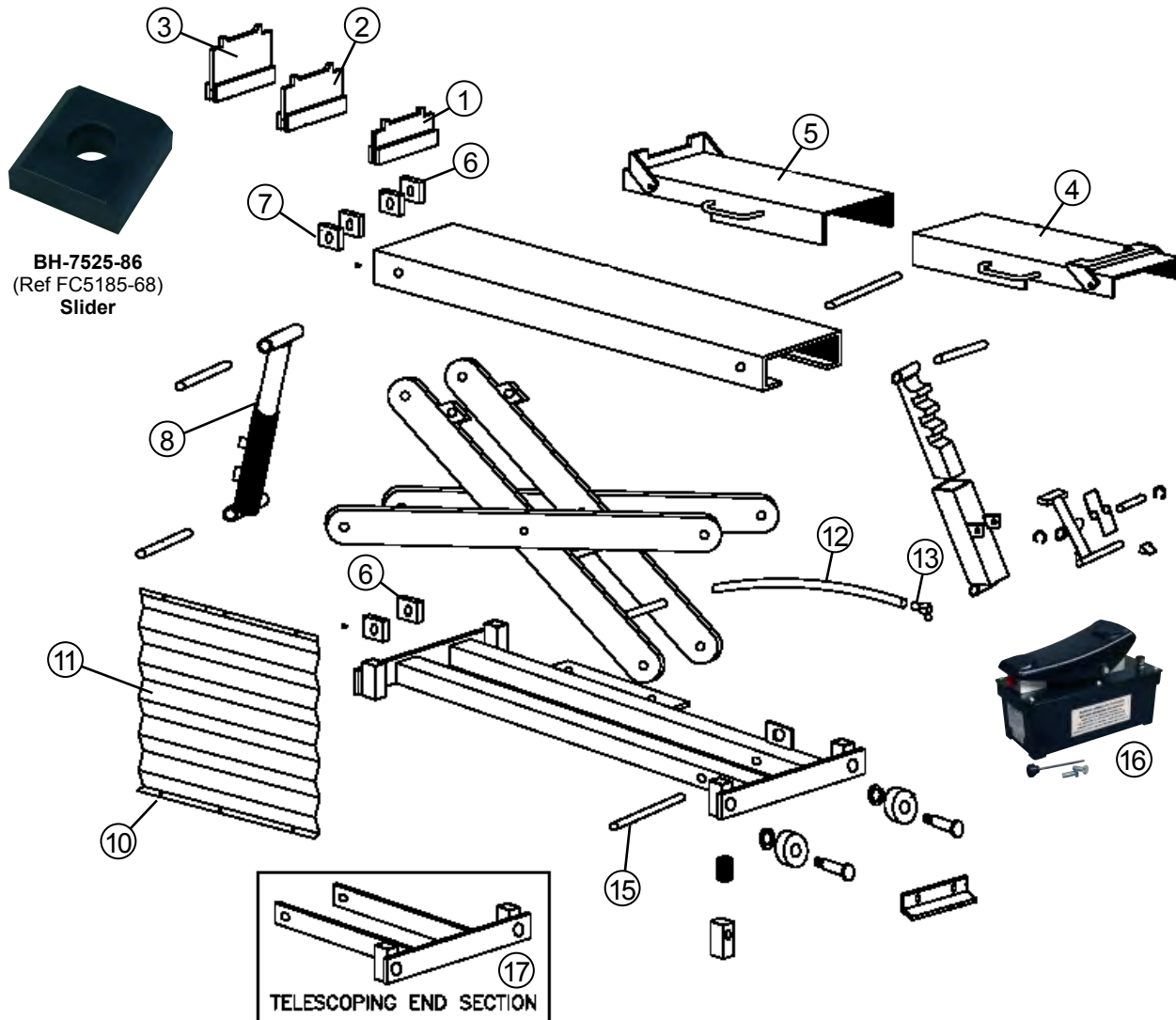


Item	SVI Part #	OEM#	Description
1	BH-9756-86	FJ2427	1-1/2" Tall Rubber Auxiliary Adapter
2	BH-9756-87	FJ2428	3" Tall Rubber Auxiliary Adapter
3	BH-7544-73WK		Wheel Replacement Kit (See BH-7544-95) For RJ4501/RJ6000 End Assembly (need 4 to repair 1 jack)
3(x2)	BH-7544-95	SB100005	Wheel Replacement Kit (This kit is BH-7544-73WK doubled) (need 2 to repair 1 jack)
3a	BH-7544-74	SB700002	Wheel Clip
3b	BH-7544-75	SB700001	Bumper
3c	BH-7544-73	SB700005	Urethane Wheel
3d	BH-7544-76	SB700004	Wheel Pin
3e	BH-7544-76A	SB700003	Wheel Bearing
4	F-RP-0250-1000		1/4" x 1" Lg. Roll Pin
5	BH-7544-79	SB300017	Telescoping End Weld
	BH-7544-78	SB300018	Telescoping End Weld
6-7	BH-7530-76	FC665	Axle/Roller Kit (Set 4) Wheel Assy/Springs For RJ4500/RJ6000-R End Assembly
6	BH-7532-06	FC5895	Direct Loaded Wheel Assembly
--	BH-7514-71	FC5895-10	Axle (Ask for BH-7532-06 Assembly)
--	BH-7514-70	FC5895	Roller (Ask for BH-7532-06 Assembly)
--	BH-7514-72	FC5895-7	Axle Support (Ask for BH-7532-06 Assy.)
7	BH-7514-74	FC5895-6	Spring

Item	SVI Part #	OEM#	Description
8	BH-7504-05 or BH-7504-14		Pump (call to verify)
9	BH-7509-71	FC5642	Hydraulic Cylinder
10	BH-7516-70	FC5657-4	Hose
11	BH-7516-24E	FC5185-45	Elbow Adapter
12	BH-7525-85	FC5185-67	Wide Slider
13	call for details	SB700006	Narrow Tall Slider
14	BH-7525-86	FC5185-68	Narrow Slider
15	BH-7525-87	FC5185-69	Pinetree Retainer
16	BH-7525-27	FC5144-1	Bellows
17	BH-7525-79	FC5185-57	Sleeve Bearing
18	BH-7530-34	FC5639	Upper Cylinder Pin
19	BH-7530-33	FC5634	Long Dog Weldment
20	call for details	SB300009	Short Dog Weldment
21	BH-7530-40	FC5640	Lower Cylinder Pin
22	BH-7530-30	FC5630	Pin
23	F-SS-0250-20		1/4"-20NC Set Screw
24	call for details	SB300012	RH Sliding Adapter
25	call for details	SB300010	LH Sliding Adapter
Not Pictured:			
24	F-NL-0375-16		3/8"-16NC Hex Nylon Insert Locknut
25	call for details		3/8"-16NC x 3/4" Lg. HHCS

Page 120

Jack Models RJ9000



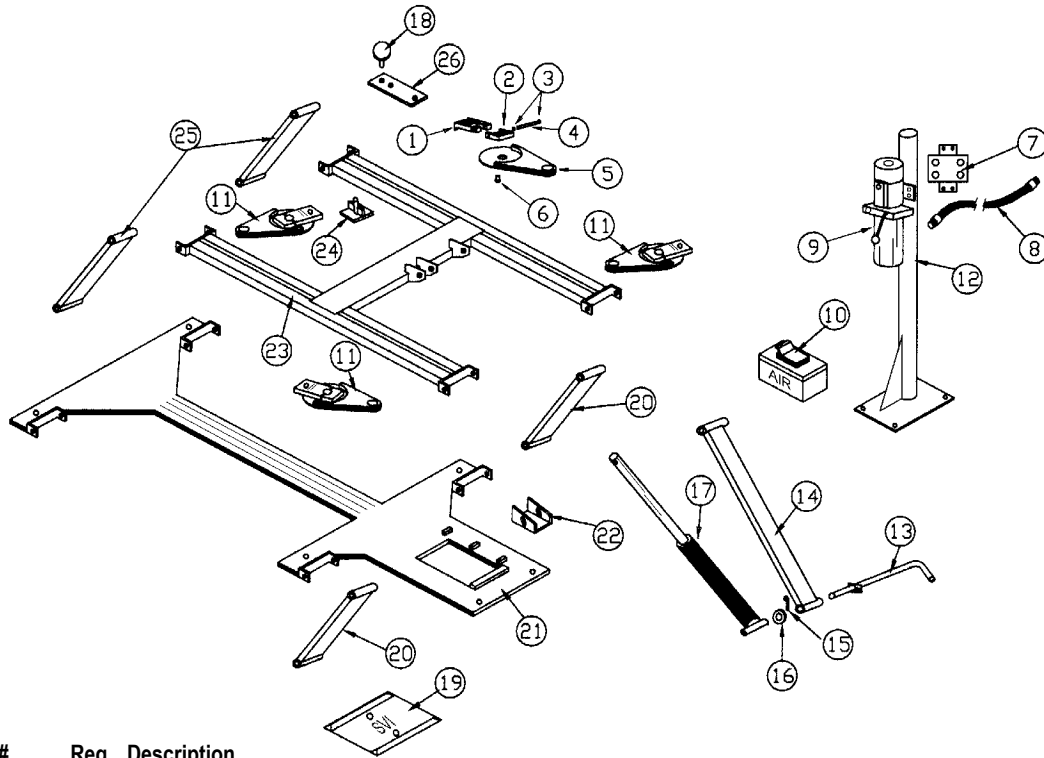
BH-7525-86
(Ref FC5185-68)
Slider

Item	SVI Part #	OEM#	Description
1	BH-7514-54	FC5108	Auxiliary Adapter (3")
2	BH-7514-35	FC579	Auxiliary Adapter (5")
3	BH-7514-54A	FC5108x	Auxiliary Adapter (8")
4	BH-7531-87	FC5818-37	RH Sliding Adapter
5	BH-7531-85	FC5818-24	LH Sliding Adapter
6	BH-7525-86	FC5185-68	Slider
7	BH-7525-85	FC5185-67	Slider
8	BH-7531-84	FC5818-18	Hydraulic Cylinder
9	BH-7531-21	FC576	Stop Bolt
10	BH-7525-87	FC5185-69	Guard Retainer / Pinetree Retainer
11	BH-7525-27	FC5144-1	Guard / Bellows
12	BH-7516-70	FC5657-4	Hose
13	BH-7516-24E	FC5185-45	Elbow Adapter

Item	SVI Part #	OEM#	Description
14	call for details		1/4"-20NC Self Tapping Screw
15	call for details	FC5818-29	Pin
16	BH-7514-51	FC5954	Pump
17	call for details	FC5960	Telescoping End Section
18	BH-7514-71	FC5895-10	Axle
19	call for details	FC5960-4	Spring
20	BH-7514-72	FC5895-7	Axle Support
21	call for details	FC5895-1	Roller
22	F-RP-0250-1000		1/4" x 1" Roll Pin
23	F-SC-0375-16-0375		3/8"-16 x 3/8" Lg. Socket Head Capscrew
	F-LW-0375		3/8" Lockwasher
24	call for details	FC5783-12	Lock Dog (long lock)
25	call for details	FC5783-10	Lock Dog (short lock)



Model VL6



* Custom order by request.
Sample may be needed.

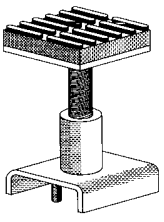
Item	SVI Part #	OEM#	Req	Description
1	BH-9755-20	FJ671-1	4	High Step Ductile Iron Adapter
	BH-9789-98	FJ697	4	Rubber Pad Adapter for Flip-Up
2	BH-9755-21	FJ671-2	4	Low Step Ductile Iron Adapter
3	BH-9755-26	FJ671-6	8	3/32" Hog Ring
4	BH-9755-22	FJ671-3	4	Adapter Pivot Pin
5	BH-7546-033		4	Adapter Swivel Base
6	BH-9755-25L	FJ79-6	4	Adapter Swivel Pin
7	BH-9785-45	T120020	1	Wall Mount for Power Unit
8	BH-7512-17	FJ85	1	Power Unit Hose
9	BH-7007-01	P833	1	Power Unit
10	Available, We need model #		1	Pump for air operated models
11	BH-9760-71	FJ2379	4	Adapter base and Adapters
12	BH-7537-34	FJ864	1	Power Unit Stand (one unit)
13	BH-7510-99	FJ2294-3	1	Lock Release Handle
14	BH-7546-007	FJ2458	1	Lock Leg
15	F-CP-125-1250			1/8" x 1-1/4" Cotter Pin
16	BH-7546-008	FJ2252-4	1	Washer
17	BH-7505-02	FJ2248	1	Hydraulic Cylinder
	BH-7532-85	FJ2248-12TH		Seal Kit for Texas Hyd Cylinder
18	BH-7546-032	FJ2374	4	Adapter
19	BH-9701	SVI Exclusive	1	15" Wide Reach Wheel Spotter
	BH-9702	SVI Exclusive	1	15" Wide Reach Dual Spotter
20	BH-7546-010	FJ2244	2	Front Lift Leg
21	BH-7546-018	FJ2370	1	Mounting Plate
22	BH-7510-93	FJ2293-1	1	Cylinder Cradle
23	BH-7546-013	FJ2459	1	Superstructure
24	BH-7545-49	FJ2261	4	Adapter Slide (sold individually)
25	BH-7546-015	FJ2245	2	Rear Lift Leg
26	BH-7546-031	FJ2373	4	Swing Arm



30,000+ lift repair parts available!

SVI stocks more lift repair parts than anyone in North America. This includes all the repair parts for Rotary lifts and power units and parts used on Rotary lifts. The power unit pictured to the left was domestically produced in

Rockford, Illinois by Fenner Fluid Power, now SPX and is still available everyday from SVI.



Need height extensions for this Rotary lift model or any other lift model? **SVI is your answer!**

Page 122

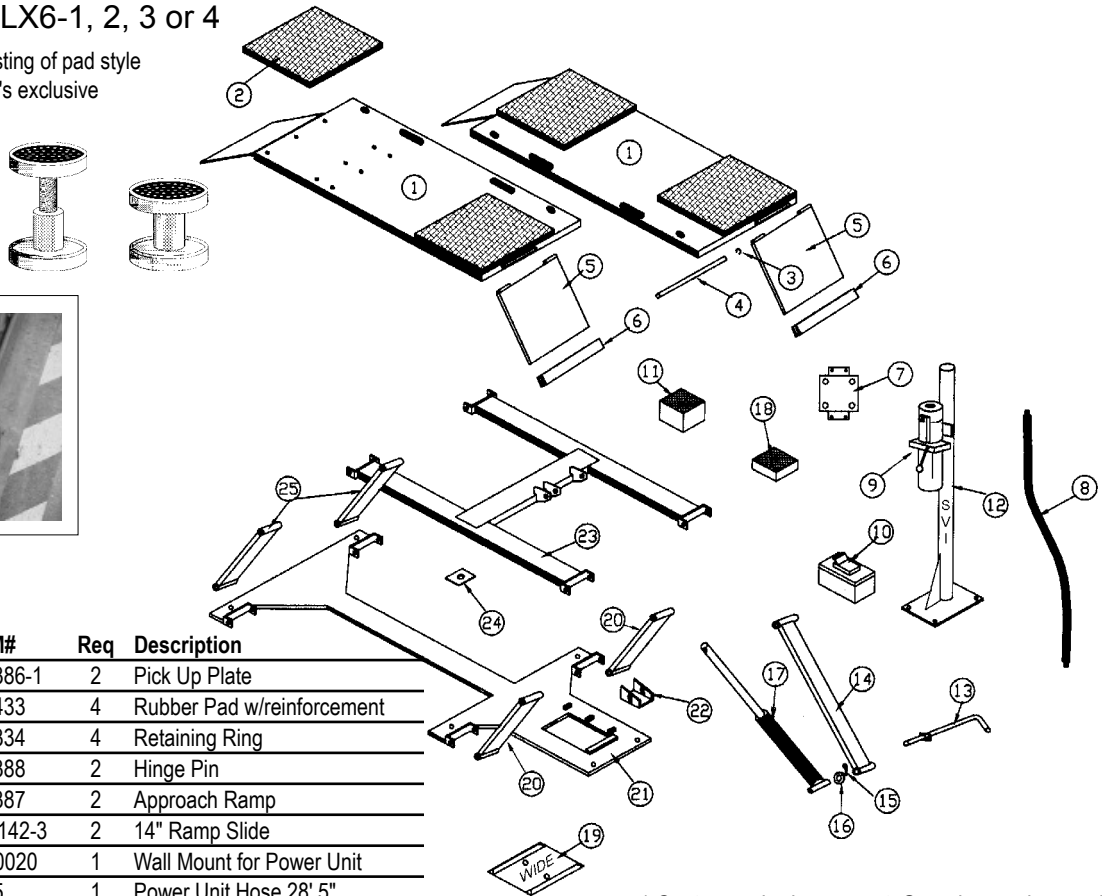
**HAVE ANY CUSTOM NEEDS,
CALL SVI FIRST. 800-321-8172,
ONE CALL DOES IT ALL.**



Model VLX6

Also for VLXS6, VLX6-1, 2, 3 or 4

For a more comprehensive listing of pad style lift height extensions visit SVI's exclusive Height Extension Catalog.



Item	SVI Part #	OEM#	Req	Description
1	BH-7546-001	FJ2386-1	2	Pick Up Plate
2	BH-7546-002	FJ2433	4	Rubber Pad w/reinforcement
3	BH-7546-003	FJ2334	4	Retaining Ring
4	BH-7546-004	FJ2388	2	Hinge Pin
5	BH-7546-005	FJ2387	2	Approach Ramp
6	BH-7525-22	FC5142-3	2	14" Ramp Slide
7	BH-9785-45	T120020	1	Wall Mount for Power Unit
8	BH-7512-17	FJ85	1	Power Unit Hose 28' 5"
9	BH-7007-01	P833	1	Power Unit
10	Available, We need model #		1	Pump for air operated models
11	BH-9756-87	FJ2428	4	3" Tall Rubber Block
12	BH-7537-34	FJ864	1	Power Unit Stand (one unit)
	BH-7537-34D	FJ570	1	Power Unit Stand (two unit)
13	BH-7546-006	FA2390	1	Lock Release Handle
14	BH-7546-007	FJ2458	1	Lock Leg
15	F-CP-125-1250		1	1/8" x 1-1/4" Cotter Pin
16	BH-7546-008	FJ2252-4	1	Washer
17	BH-7505-02	FJ2248	1	Hydraulic Cylinder
	BH-7532-85	FJ2248-12TH		Seal Kit for Texas Hyd Cylinder

* Custom order by request. Sample may be needed.

Item	SVI Part #	OEM#	Req	Description
18	BH-9756-86	FJ2427		1-1/2" Tall Rubber Block
19	BH-9701	SVI Exclusive	1	15" Wide Reach Wheel Spotter
	BH-9702	SVI Exclusive	1	15" Wide Reach Dual Spotter
20	BH-7546-010	FJ2244	2	Front Lift Leg
21	BH-7546-011	FJ2370	1	Mounting Plate
22	BH-7510-93	FJ2293-1	1	Cylinder Cradle
23	BH-7546-013	FJ2459	1	Superstructure
24	BH-7546-014	FJ2392	4	Retainer
25	BH-7546-015	FJ2245	2	Rear Lift Leg

For lift repair parts, SVI is your answer!

BH-9756-87 FJ2428
3" Tall Rubber Block

Lift downtime is costly. Top lift repair professionals and top lift users have come to rely on only **GENUINE SVI LIFT REPAIR PARTS!**

Three Ready-Ship Warehouses
 BALTIMORE • CHICAGO • LOS ANGELES

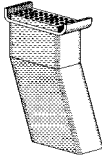
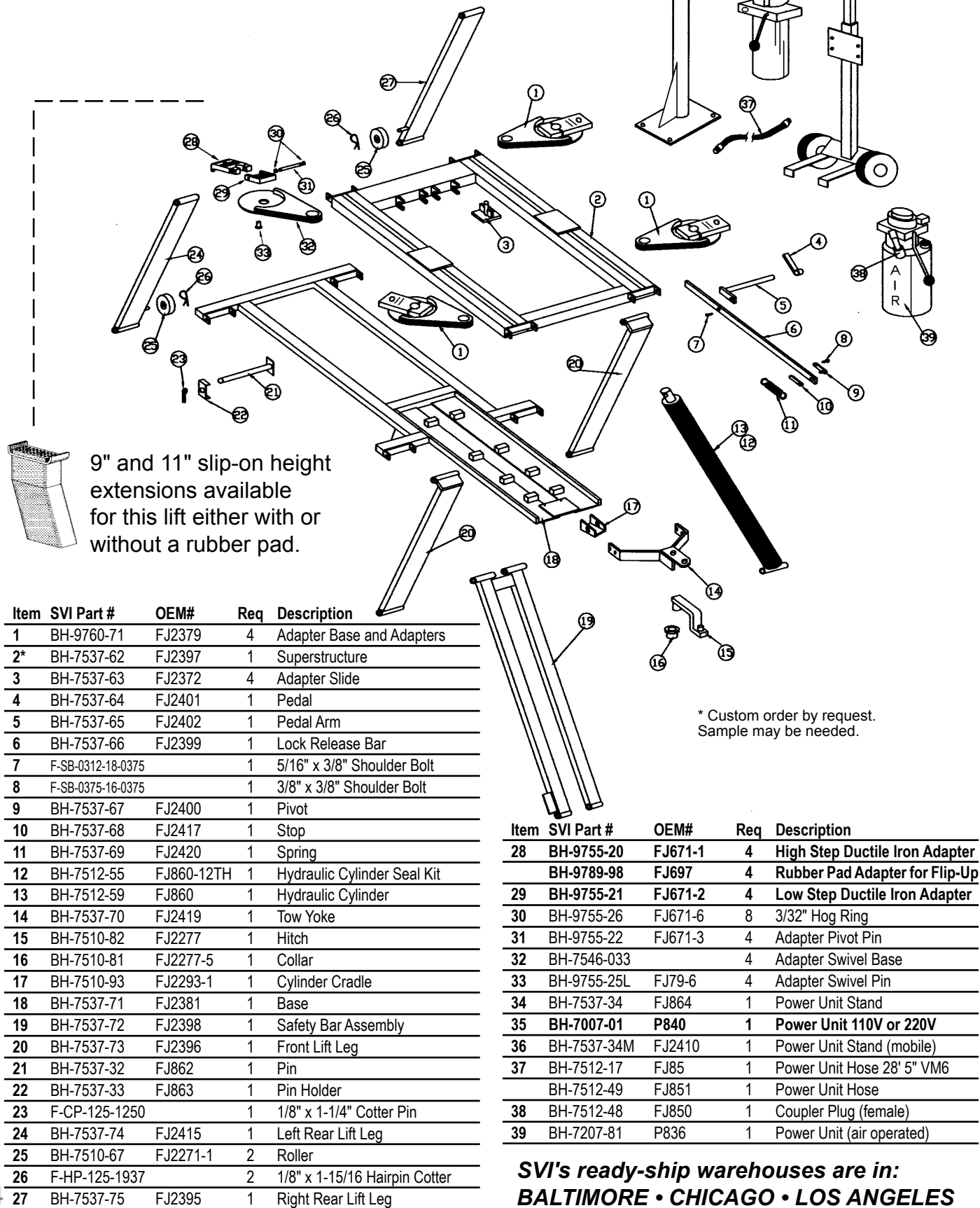
Used all over the U.S. and can be specifically found in the following:

- Most Quick Lubes
- Discount Tire / America's Tire Locations
- Big "O" Tire Locations
- Independent Tire Locations
- Anywhere there are any low-rise lifts



Model VM6

also for VMP6 and VMP6A



9" and 11" slip-on height extensions available for this lift either with or without a rubber pad.

Item	SVI Part #	OEM#	Req	Description
1	BH-9760-71	FJ2379	4	Adapter Base and Adapters
2*	BH-7537-62	FJ2397	1	Superstructure
3	BH-7537-63	FJ2372	4	Adapter Slide
4	BH-7537-64	FJ2401	1	Pedal
5	BH-7537-65	FJ2402	1	Pedal Arm
6	BH-7537-66	FJ2399	1	Lock Release Bar
7	F-SB-0312-18-0375		1	5/16" x 3/8" Shoulder Bolt
8	F-SB-0375-16-0375		1	3/8" x 3/8" Shoulder Bolt
9	BH-7537-67	FJ2400	1	Pivot
10	BH-7537-68	FJ2417	1	Stop
11	BH-7537-69	FJ2420	1	Spring
12	BH-7512-55	FJ860-12TH	1	Hydraulic Cylinder Seal Kit
13	BH-7512-59	FJ860	1	Hydraulic Cylinder
14	BH-7537-70	FJ2419	1	Tow Yoke
15	BH-7510-82	FJ2277	1	Hitch
16	BH-7510-81	FJ2277-5	1	Collar
17	BH-7510-93	FJ2293-1	1	Cylinder Cradle
18	BH-7537-71	FJ2381	1	Base
19	BH-7537-72	FJ2398	1	Safety Bar Assembly
20	BH-7537-73	FJ2396	1	Front Lift Leg
21	BH-7537-32	FJ862	1	Pin
22	BH-7537-33	FJ863	1	Pin Holder
23	F-CP-125-1250		1	1/8" x 1-1/4" Cotter Pin
24	BH-7537-74	FJ2415	1	Left Rear Lift Leg
25	BH-7510-67	FJ2271-1	2	Roller
26	F-HP-125-1937		2	1/8" x 1-15/16 Hairpin Cotter
27	BH-7537-75	FJ2395	1	Right Rear Lift Leg

Item	SVI Part #	OEM#	Req	Description
28	BH-9755-20	FJ671-1	4	High Step Ductile Iron Adapter
	BH-9789-98	FJ697	4	Rubber Pad Adapter for Flip-Up
29	BH-9755-21	FJ671-2	4	Low Step Ductile Iron Adapter
30	BH-9755-26	FJ671-6	8	3/32" Hog Ring
31	BH-9755-22	FJ671-3	4	Adapter Pivot Pin
32	BH-7546-033		4	Adapter Swivel Base
33	BH-9755-25L	FJ79-6	4	Adapter Swivel Pin
34	BH-7537-34	FJ864	1	Power Unit Stand
35	BH-7007-01	P840	1	Power Unit 110V or 220V
36	BH-7537-34M	FJ2410	1	Power Unit Stand (mobile)
37	BH-7512-17	FJ85	1	Power Unit Hose 28' 5" VM6
	BH-7512-49	FJ851	1	Power Unit Hose
38	BH-7512-48	FJ850	1	Coupler Plug (female)
39	BH-7207-81	P836	1	Power Unit (air operated)

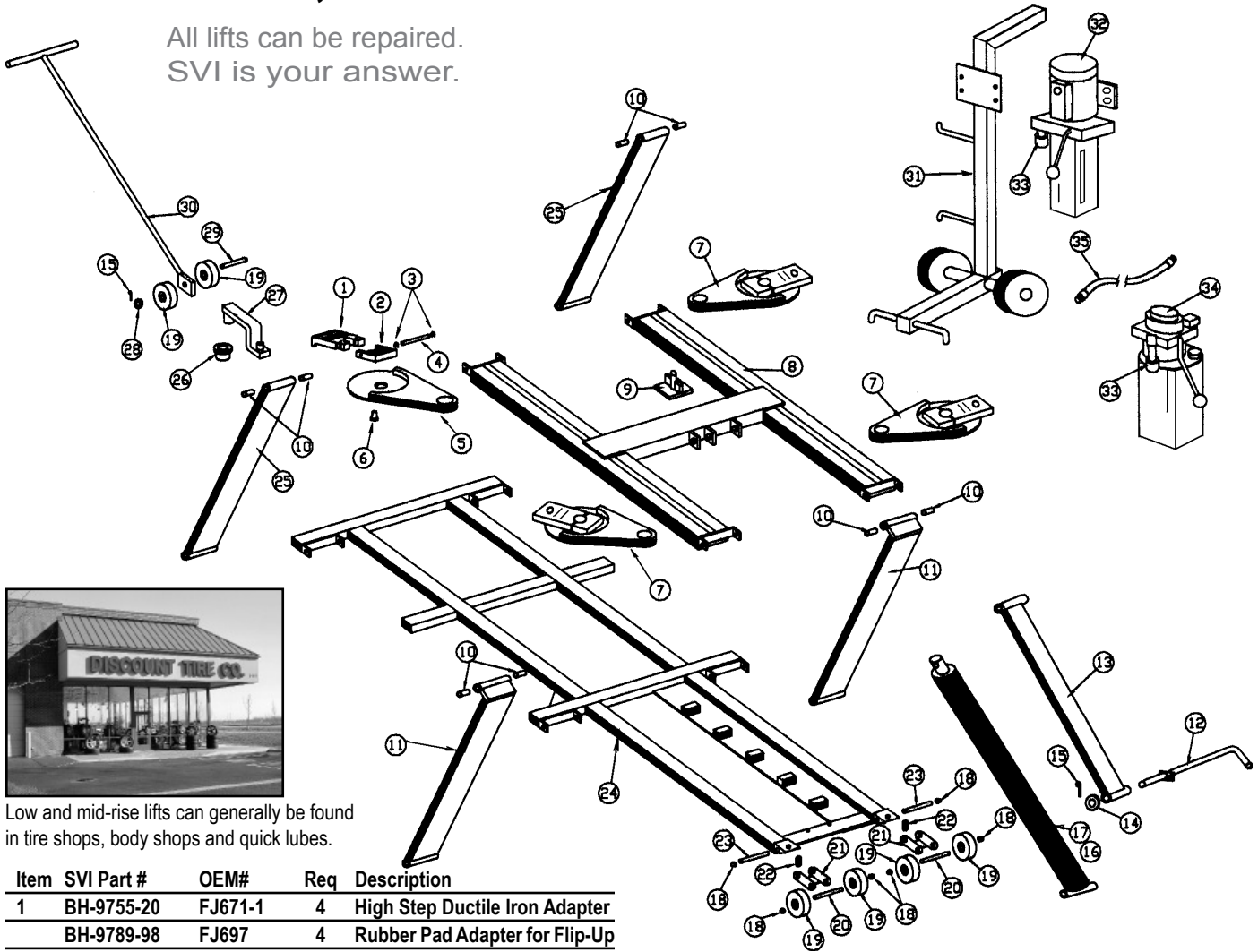
* Custom order by request. Sample may be needed.

SVI's ready-ship warehouses are in:
BALTIMORE • CHICAGO • LOS ANGELES



Model MPAL8A, MPAL8E

All lifts can be repaired.
SVI is your answer.



Low and mid-rise lifts can generally be found in tire shops, body shops and quick lubes.

Item	SVI Part #	OEM#	Req	Description
1	BH-9755-20	FJ671-1	4	High Step Ductile Iron Adapter
	BH-9789-98	FJ697	4	Rubber Pad Adapter for Flip-Up
2	BH-9755-21	FJ671-2	4	Low Step Ductile Iron Adapter
3	BH-9755-26	FJ671-6	8	3/32" Hog Ring
4	BH-9755-22	FJ671-3	4	Adapter Pivot Pin
5	BH-7546-033		4	Adapter Swivel Base
6	BH-9755-25L	FJ79-6	4	Adapter Swivel Pin
7	BH-7545-49	FJ2261	4	Adapter Base and Adapter
8	BH-7510-45	FJ2265	1	Superstructure
9	BH-7537-63	FJ2372	4	Adapter Slide
10	BH-7545-63	FJ2264-21	8	Lift Leg Bushing
11	BH-7510-56	FJ2268	2	Front Lift Leg
12	BH-7510-55	FJ2267	1	Lock Release Bar
13	BH-7510-66	FJ2270	1	Lock Leg
14	BH-7546-008	FJ2252-4	1	Washer
15	F-CP-125-1250		1	1/8" x 1-1/4" Cotter Pin
16	BH-7505-03	FJ2263	1	Hydraulic Cylinder
17	BH-7532-85	FJ2248-12TH	1	Hyd Cylinder Seal Kit - Texas Hyd.
	BH-7532-85P		1	Hyd Cylinder Seal Kit - Pacoma
18	BH-7525-69			1/2" Push Nut
19	BH-7510-67	FJ2271-1	6	Roller (also used on QL4P models)
20	BH-7510-38	FJ2264-19	2	Axle
21	BH-7510-35	FJ2264-12	2	Wheel Holder
22	BH-7510-39	FJ2264-9	2	Spring
23	BH-7510-37	FJ2264-18	2	Wheel Holder Pivot Pin
24	BH-7510-50	FJ2266	1	Base

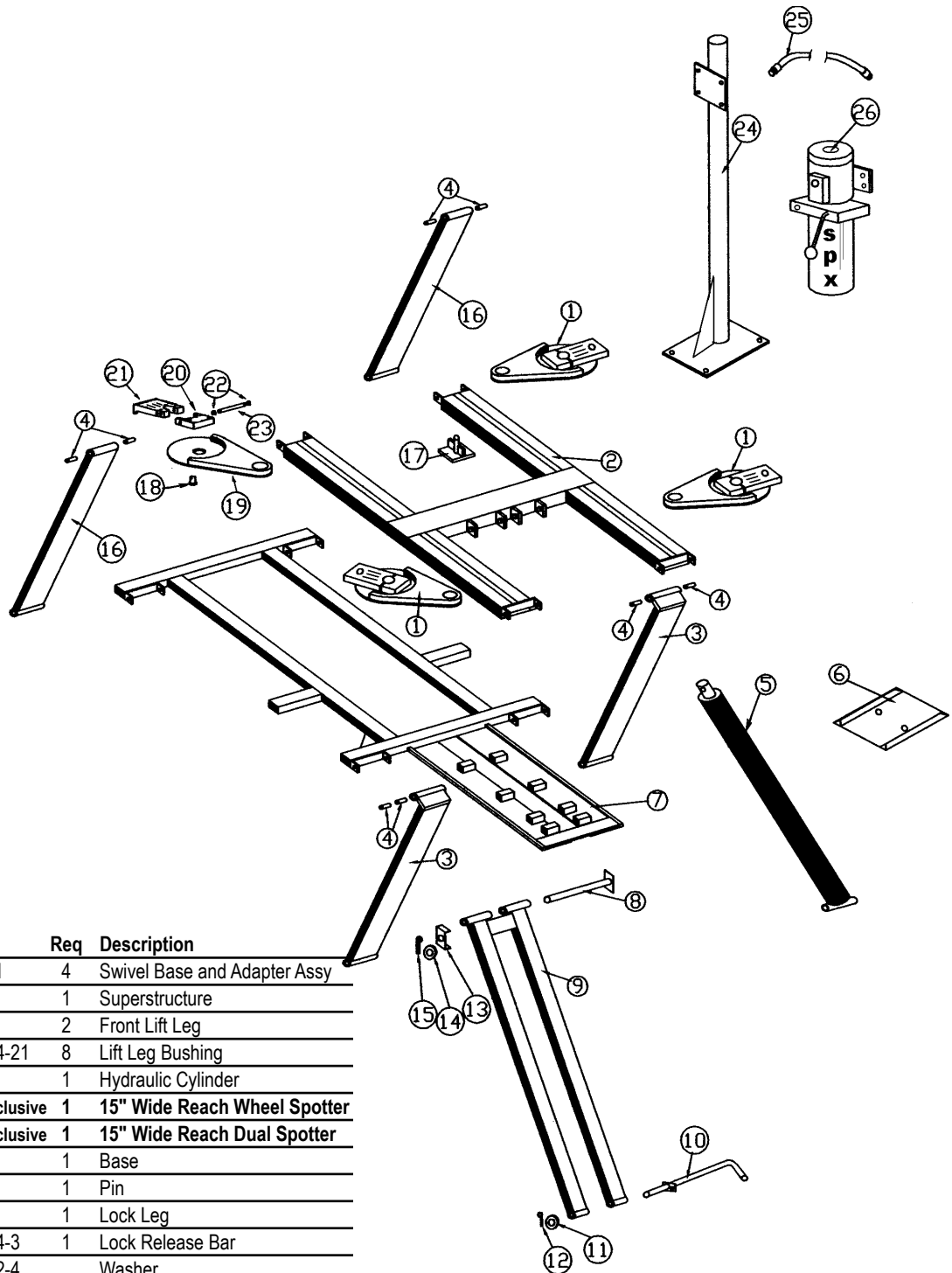
* Custom order by request.
Sample may be needed.

Item	SVI Part #	OEM#	Req	Description
25	BH-7510-62	FJ2269	2	Rear Lift Leg
26	BH-7510-81	FJ2277-5		Collar
27	BH-7510-82	FJ2277		Hitch
28	F-FW-0500-USS			1/2" Flatwasher
29	BH-7510-68	FJ2271-2		Axle, Long Clevis Pin
30	BH-7510-70	FJ2271	1	Rolling Handle
31	BH-7505-43	FA569		Power Unit Stand (mobile)
32	BH-7007-01	P601	1	Power Unit 110V or 220V
33	BH-7512-48	FJ850	1	Coupler Plug (female)
34	BH-7207-81	P622	1	Power Unit (air operated)
35	BH-7512-47	FJ849	1	Power Unit Hose

SVI cares strictly about making quality lift repair parts and not simply bottom line performance. This is the reason you will often see improvements in product quality and design criteria versus that of any other manufacturer.



Model MR6

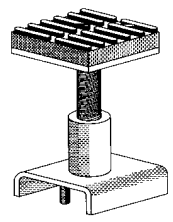


Item	SVI Part #	OEM#	Req	Description
1	BH-7511-70	FJ2311	4	Swivel Base and Adapter Assy
2*	BH-7537-26	FJ857	1	Superstructure
3	BH-7537-28	FJ858	2	Front Lift Leg
4	BH-7543-63	FJ2264-21	8	Lift Leg Bushing
5	call for details		1	Hydraulic Cylinder
6	BH-9701	SVI Exclusive	1	15" Wide Reach Wheel Spotter
	BH-9702	SVI Exclusive	1	15" Wide Reach Dual Spotter
7	call for details		1	Base
8	BH-7537-32	FJ862	1	Pin
9	BH-7537-31	FJ861	1	Lock Leg
10	BH-7510-99	FJ2294-3	1	Lock Release Bar
11	BH-7546-034	FJ2262-4		Washer
12	F-CP-125-1000	41200		1/8" x 1" Cotter Pin
13	BH-7537-33	FJ863	1	Pin Holder
14	F-FW-0750-USS	41020		3/4" Washer
15	F-CP-125-1250	41201	1	1/8" x 1-1/4" Cotter Pin
16	BH-7537-29	FJ859	2	Rear Lift Leg
17	BH-7537-63	FJ2372	4	Adapter Slide
18	BH-9755-25L	FJ79-6	4	Adapter Swivel Pin
19	BH-7546-033		4	Swivel Base
20	BH-9755-21	FJ671-2	4	Low Step Ductile Iron Adapter
21	BH-9755-20	FJ671-1	4	High Step Ductile Iron Adapter
	BH-9789-98	FJ697	4	Rubber Pad Adapter for Flip-Up
22	BH-9755-26	FJ671-6	8	3/32" Hog Ring

Item	SVI Part #	OEM#	Req	Description
23	BH-9755-22	FJ671-3	4	Adapter Pivot Pin
24	BH-7537-34	FJ864	1	Power Unit Stand
25	BH-7512-17	FJ85	1	Hydraulic Hose
26	BH-7007-01	P601	1	Power Unit 110V or 220V

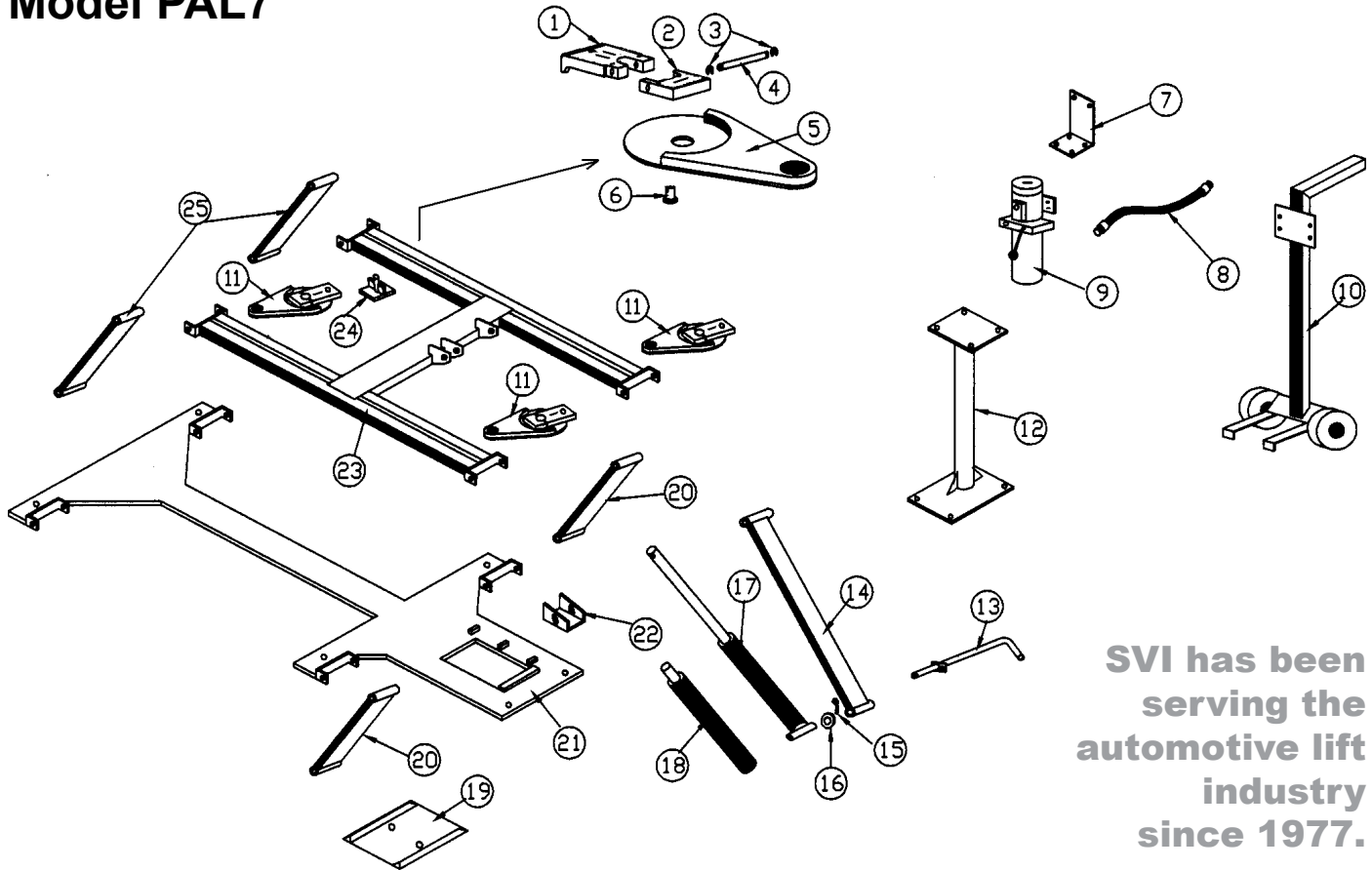
* Custom order by request. Sample may be needed.

Need height extensions for this Rotary lift model or any other lift model, SVI is your answer.



Page 126

Model PAL7



SVI has been serving the automotive lift industry since 1977.

Item	SVI Part #	OEM#	Req	Description
1	BH-9755-20	FJ671-1	4	High Step Ductile Iron Adapter
	BH-9789-98	FJ697	4	Rubber Pad Adapter for Flip-Up
2	BH-9755-21	FJ671-2	4	Low Step Ductile Iron Adapter
3	BH-9755-26	FJ671-6	8	3/32" Hog Ring
4	BH-9755-22	FJ671-3	4	Adapter Pivot Pin
5	BH-7546-033		4	Adapter Swivel Base
6	BH-9755-25L	FJ79-6	4	Adapter Swivel Pin
7	BH-7538-80	P522-3		Power Unit Bracket for air motor
8	BH-7512-17	FJ85	1	Hydraulic Hose
9	BH-7007-10	P601	1	Power Unit
	BH-7207-81	P836	1	Power Unit (air operated)
10	BH-7505-43	FA569		Power Unit Stand (mobile)
11	BH-7511-70	FJ2311	4	Swivel Base and Adapter Assy
12	BH-7505-25	FA536	1	Power Unit Stand
13	BH-7510-99	FJ2294-3	1	Lock Release Bar
14	BH-7511-16	FJ2294	1	Lock Leg
15	F-CP-125-1250	41201	1	1/8" x 1-1/4" Cotter Pin
16	BH-7546-008	FJ2252-4	1	Washer
17	BH-7532-85	FJ2248-12T	1	Hydraulic Cylinder Seal Kit
18	BH-7505-02	FJ2248	1	Hydraulic Cylinder
19	BH-9701	SVI Exclusive	1	15" Wide Reach Wheel Spotter
	BH-9702	SVI Exclusive	1	15" Wide Reach Dual Spotter

Item	SVI Part #	OEM#	Req	Description
20	BH-7546-010	FJ2244	2	Front Lift Leg
21	BH-7510-94	FJ2293	1	Base
22	BH-7510-93	FJ2293-1	1	Cylinder Cradle
23*	BH-7546-035	FJ2242	1	Superstructure
24	BH-7537-63	FJ2372	4	Adapter Slide
25	BH-7546-015	FJ2245	2	Rear Lift Leg
26	BH-7511-70	FJ2311	4	Swivel Base and Adapter Assy

* Custom order by request. Sample may be needed.

For PSL6 Models

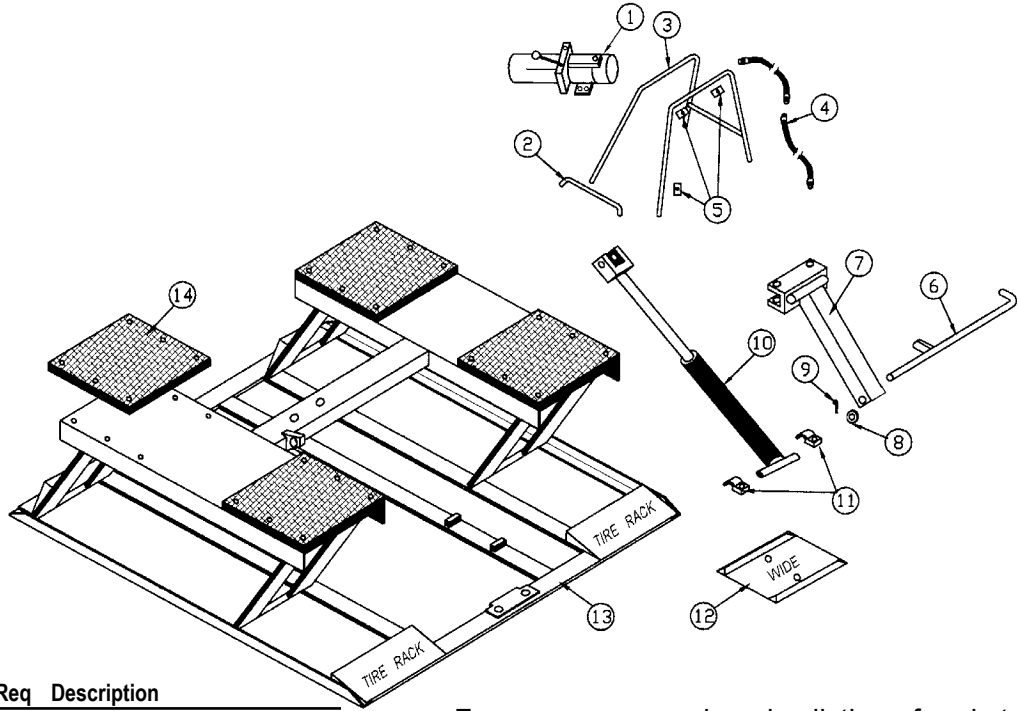


Release Handle Assembly
BH-7509-85
(FJ2344-11 / FJ2344-13 / FJ2344-13BK)

Breakdown represents second generation PAL7 models. Please contact your favorite SVI representative for details on parts for first generation PAL7 models.



Model PFX-1



* Custom order by request.
Sample may be needed.

Item	SVI Part #	OEM#	Req	Description
1	BH-7007-01	P501	1	Power Unit
2	BH-7505-07	FA566-1	2	Support
3	BH-7505-06	FA566-2	2	Stand (half)
4	BH-7512-43	FJ801		Hose
5	call for details			1/4-20 Nut
6	BH-7505-05	FA2191-2	1	Lock Release Bar
7	BH-7505-04	FA2191-1	1	Lock
8	call for details			Washer
9	F-CP-125-1000			1/8" x 1" Cotter Pin
10	BH-7505-08	FJ2173	1	Hydraulic Cylinder
11	BH-7515-55	FJ294-4	2	Cylinder Clamp
12	BH-9701	SVI Exclusive	1	15" Wide Reach Wheel Spotter
	BH-9702	SVI Exclusive	1	15" Wide Reach Dual Spotter
13	BH-7505-09	FJ2196	1	Base
14	BH-7505-10	FJ2195-3	1	Rubber Pad (right front)
	BH-7505-13	FJ2196-20		Rubber Pad

For a more comprehensive listing of pad style lift height extensions visit SVI's exclusive Height Extension Catalog.



P
a
g
e

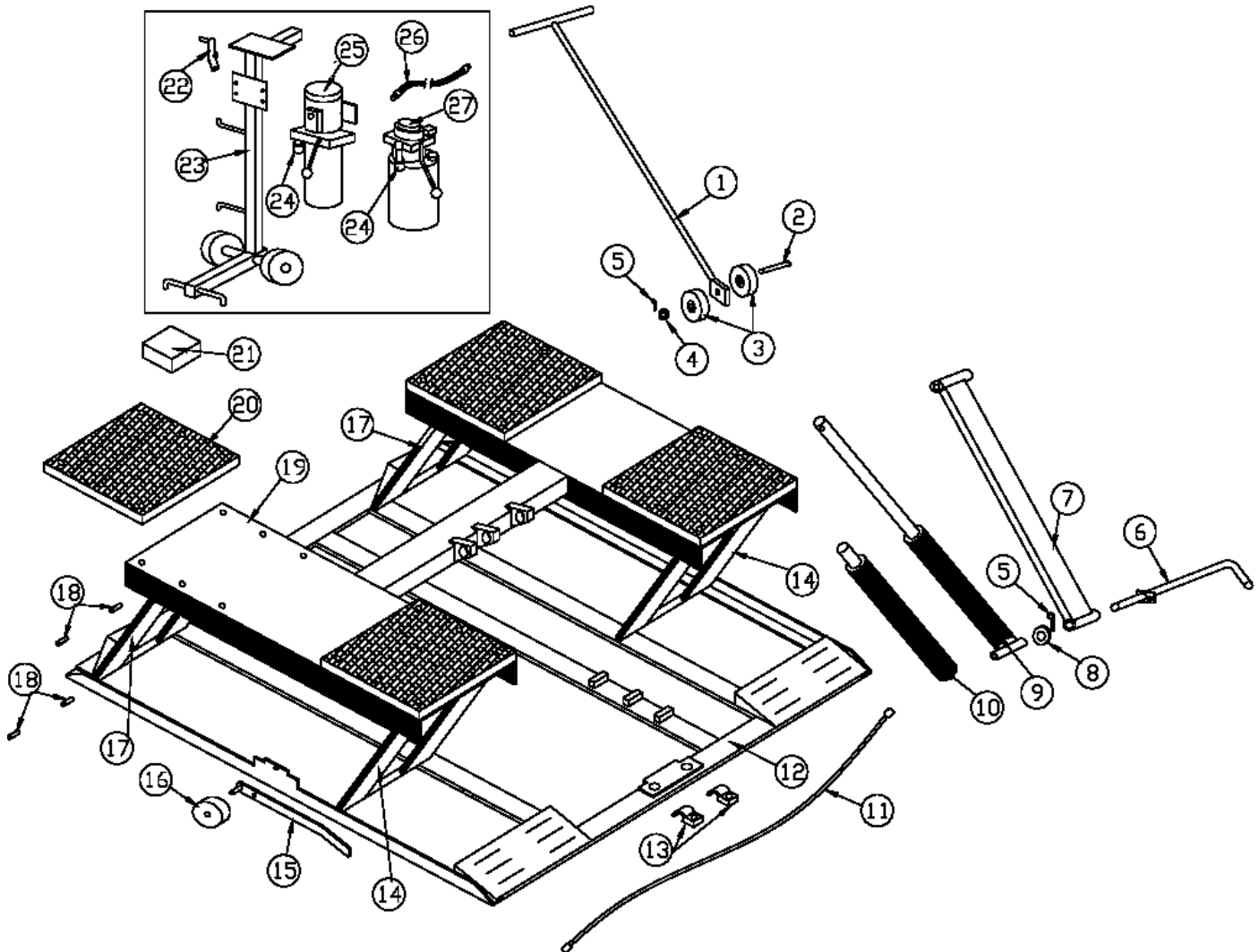


If you own or work on lifts, you owe it to yourself to insist on only pure SVI "Direct Fit" brand lift repair parts.

Rotary made so many different models and there is only one company that can keep all the parts straight.

SVI is your answer!

Models MPFXA & E



* Custom order by request.
Sample may be needed.

Item	SVI Part #	OEM#	Req	Description
1	BH-7510-70	FJ2271		Towing Dolly Assembly
2	BH-7510-68	FJ2271-2		Clevis Pin
3	call for details	FJ2271-6		Dolly Wheel
4	call for details	41107		Washer 508 I.D. x 1-1/4" O.D. x.062" thick
5	F-CP-125-1000	41200		1/8"x1" Cotter Pin
6	BH-7507-19	FA2243-3		Release Handle Assembly
7	BH-7507-18	FA2243		Locking Leg
8	BH-9760-60	FJ2252-4		1-1/8" OD x 5/8" ID x Bushing
9	BH-7505-02	FJ2248		Hydraulic Cylinder
9A	BH-7532-85	FJ2248-12TH		Seal Kit for Texas Hyd Cylinder
10	BH-7510-88	FJ2280		Optional Cylinder Cover
11	BH-7512-47	FJ849		Hose
12	BH-7510-24	FJ2254		Standard Base
	BH-7511-44	FJ2304		Base with Air Line
13	BH-7515-55	FJ294-4		Cylinder Bracket
14	BH-7510-25	FJ2255		Front Leg Assembly

Item	SVI Part #	OEM#	Req	Description
15	BH-7510-84	FJ2281-7		Handle Grip
16	BH-7510-85	FJ2281-5		Wheel
17	BH-7510-30	FJ2256		Rear Leg Assembly
18	BH-7510-31	FJ2257		Leg Hinge Bushing Kit
19*	BH-7510-23	FJ2253		Standard Superstructure "H"
	call for details	FJ2296		Superstructure "H" with air
20	BH-7505-93	FJ2252-6		Heat Resistant Pad
21	BH-9756-86	FJ2427		1-1/2" Rubber Block
	BH-9756-87	FJ2428		3" Rubber Block
22	BH-7505-37	FA569-12		Air Tee Bracket Assembly (for internal air models)
23	BH-7505-43	FA569		Portable Power Unit Stand
24	BH-7512-48	FJ850		Female Hydraulic Coupler
25	BH-7007-10	P601		Power Unit (Electric Version)
26	BH-7512-49	FJ851		Air Hose Assembly
27	n/a	P622		Power Unit (Air Version)

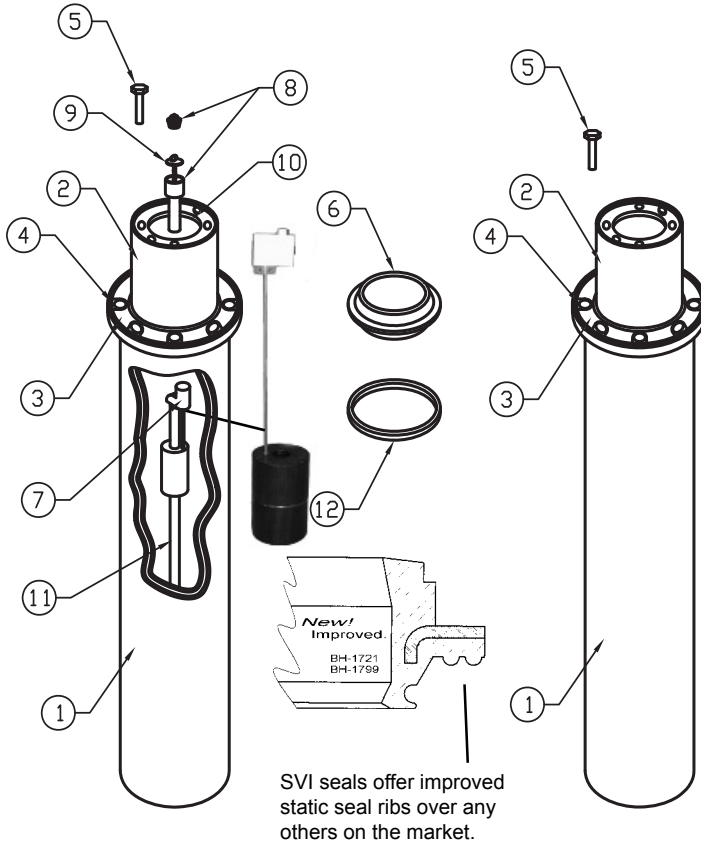


Models FP46A-44 and above and FP46H-19 and above

SVI provides complete replacement semi or full hydraulic cylinder assemblies. Call for details

Cylinder Parts

Item	SVI Part #	OEM#	Req	Description
1	n/a	JK7100		Casing for Semi-Hydraulic
	n/a	JK7101		Casing for Full Hydraulic
2	BH-9771-81	JK482	1	Plunger for Semi-Hydraulic
	BH-9780-02	JK478	1	Plunger for Full Hydraulic
3	BH-9762-02ATF	SVI Exclusive		10-5/8" Adjust-to-Fit Bearing Kit
	BH-9762-02	JK629	1	10-5/8" Upper Bearing Kit
	BH-1799B	JK622		Aluminum Packing Gland
4	FK-60-125	JX207		Bleeder Plug
5	F-HC-0875-09-4500		4	7/8"-9NC x 4-1/2" Lg. HHCS
6	BH-1799	JK227	1	10-5/8" Seal Kit
	BH-1799/99B	JK227Kit		10-5/8" Seal and Gland Kit
7	BH-9780-73	FA73	1	Low Fluid Control
8	call for details			1" Close Nipple, Coupling & Plug
9	BH-9768-09	JX196		Fluid Gauge
10	BH-9762-96	JK468-2		Flange Bushing
11	BH-9768-04	JX160		Replacement Airline
12	BH-9762-95	JK438-3-1		"O" Ring

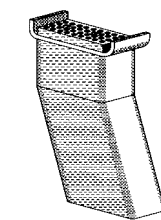
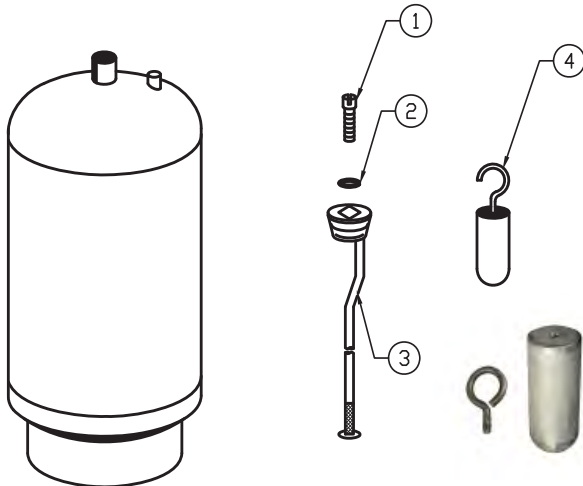


Optional Upper Bearing Kits can help you reduce plunger rock and increase usable lifespan of your lift for many years

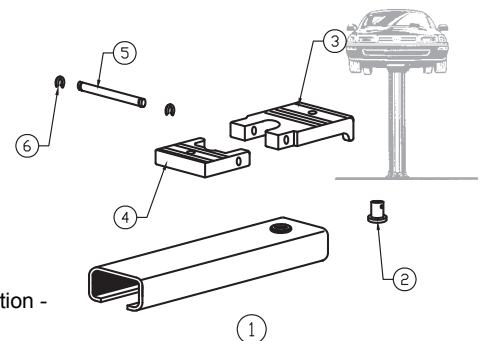


Sleeve and Adapters

Item	SVI Part #	OEM#	Req	Description
1	BH-9760-25	FJ692		Sleeve and Adapter Assembly
2	BH-9755-25	FJ671-5		Swivel Pin
3	BH-9755-20	FJ671-1		Adapter High Step
	BH-9789-98	FJ697	4	Rubber Pad Adapter for Flip-Up
	BH-9755-36	FJ671-7		Adapter Repair Kit (4 arms)
	BH-9755-36-1	FJ671-8		Adapter Repair Kit (1 arm)
4	BH-9755-21	FJ671-2		Adapter Low Step
5	BH-9755-22	FJ671-3		Adapter Pin
6	BH-9755-26	FJ671-6		3/32" Hog Ring for 1/2" Shaft
	BH-9755-50	Height Extension		9" Slip-On w/o Rubber Pad
	BH-9755-50B	Height Extension		9" Slip-On W/ Rubber Pad
	BH-9755-50A	Height Extension		11" Slip-On w/o Rubber Pad

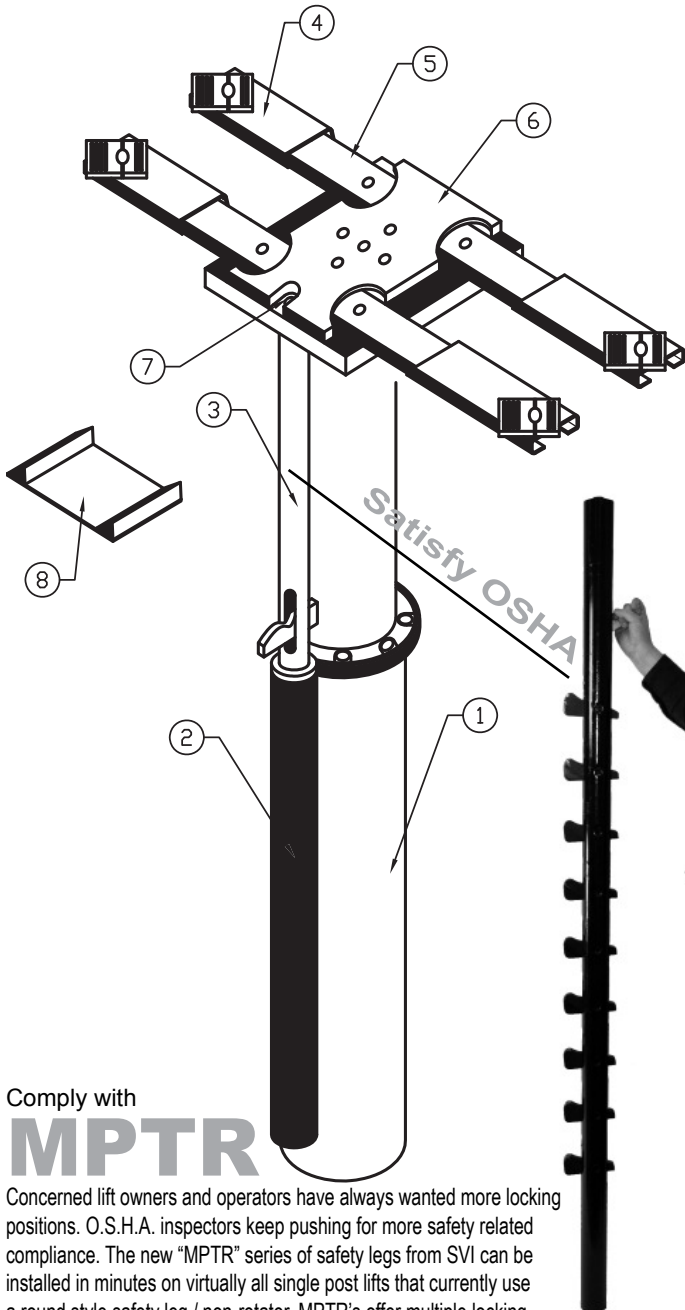


Height Extensions
SVI has a huge selection - call for more options.



Item	SVI Part #	OEM#	Req	Description
	BH-9802-C		1	Tank Kit
	BH-9802-FGC		1	Tank Kit Fiberglass Coated
1	BH-9791-02	FA123-11	1	Vent Screw
2	BH-9791-03	FA123-12	1	Seal
3	BH-9807	FA123-18	1	Fill Plug/Gauge Assembly
4	BH-9755-11	FA123-8P		Low Oil Control Kit
	BH-9810	FA123-8	1	Low Oil Float
	BH-9810-01		1	Float Hook

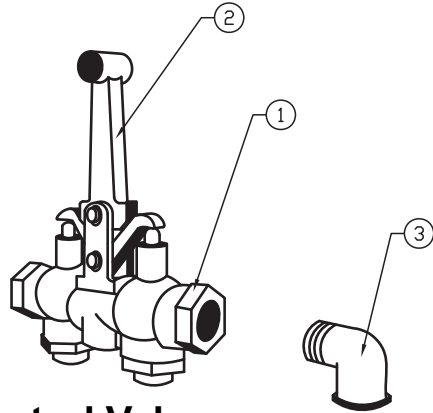
Item	SVI Part #	OEM#	Req	Description
1	BH-9771-75	JK1154		Semi-Hydraulic
	BH-9762-10	JK1155		Full Hydraulic
2	BH-9770-58	FA2158	1	Safety Leg Guide Tube
3	BH-MPTR-66	SVI Exclusive	1	Multi-Position Safety Leg
	BH-EL-66	FA2107		Manual Release Safety Leg
	BH-TR-66			Top Release Safety Leg
4	BH-9760-25	FJ692	4	Adapter Assembly
5	BH-9755-10	FJ2199	4	Swing Arm
6*	call for details	FJ2202	1	Bolster
7	F-HC-0750-10-3500		1	3/4 -10 x 3-1/2 Hex Head Capscrew
8	BH-9701	FF729	1	15" Wide Reach Wheel Spotter
	BH-9702	SVI Exclusive	1	15" Wide Reach Dual Spotter



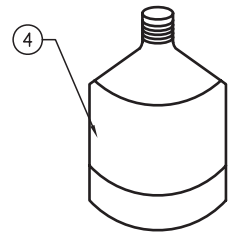
Comply with
MPTR

Concerned lift owners and operators have always wanted more locking positions. O.S.H.A. inspectors keep pushing for more safety related compliance. The new "MPTR" series of safety legs from SVI can be installed in minutes on virtually all single post lifts that currently use a round style safety leg / non-rotator. MPTR's offer multiple locking positions in 6" increments throughout the lift's stroke, convenience of single point top release and automatic reset for reuse each time the lift is fully lowered.

**Models FP46A-44 and above
and FP46H-19 and above**

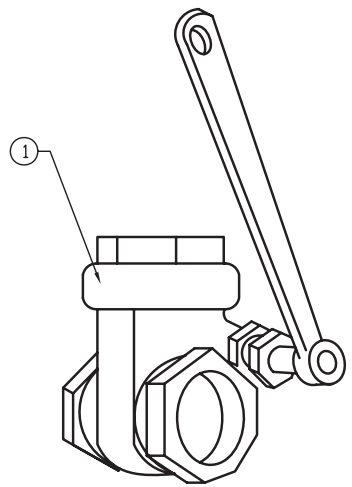


Air Control Valve



Item	SVI Part #	OEM#	Req	Description
1	FK-303-500	FA376		Air Control Valve Non-Locking Semi
	FK-302-500	FA377		Air Control Valve Locking Full Hyd.
2	FK-302-04	FA377-1		Locking Handle
	FK-303-04	FA376-4		Non-Locking Handle
3	hardware store			Elbow
4	BH-9640	FA515		1/2" NPT Metal Air Muffler

Oil Control Valve



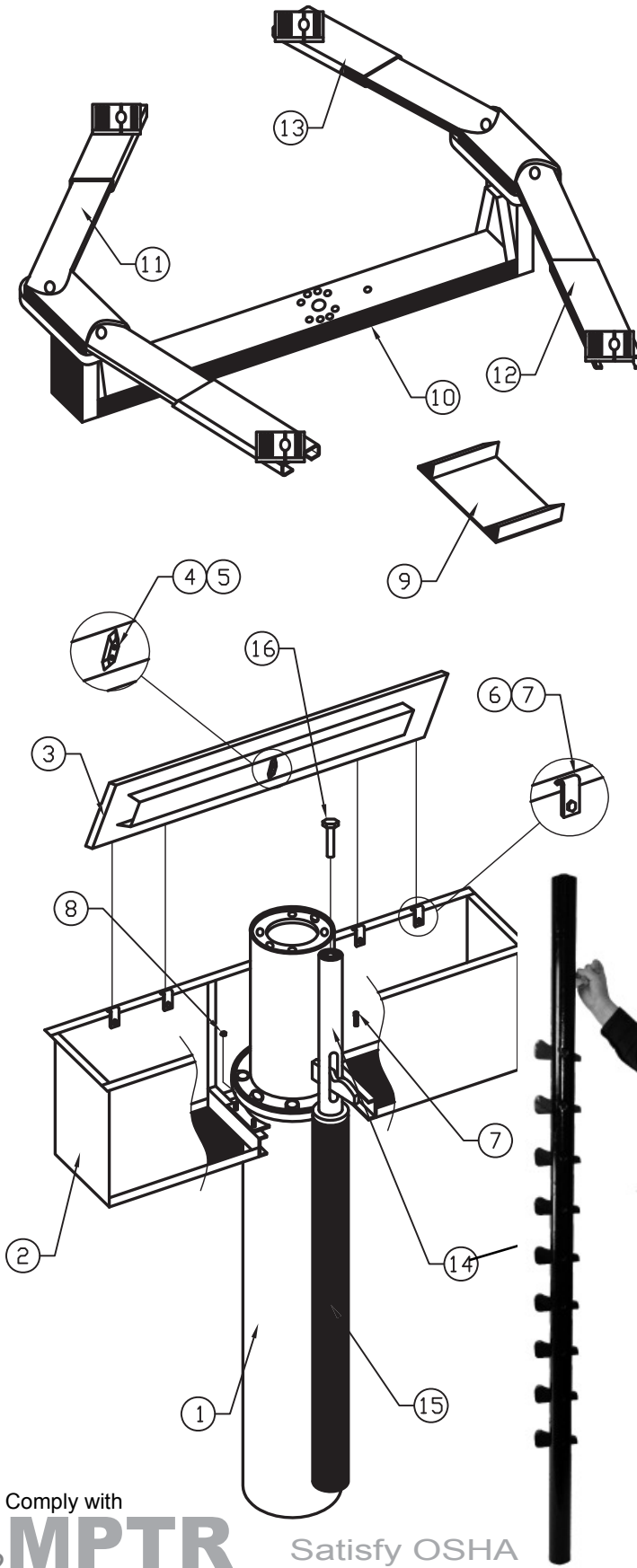
The choice is yours!

Item	SVI Part #	OEM	Req	Description
1	FK-438	Morrison	1	1-1/4" Internal Spring Oil Valve
	FK-238	Morrison	1	1-1/4" External Spring Oil Valve
	FK-848	AY McDonald	1	1-1/4" External Spring Oil Valve
	FK-902	Milwaukee	1	1-1/4" External Spring Oil Valve

* Custom Order By Request. Sample may be needed.

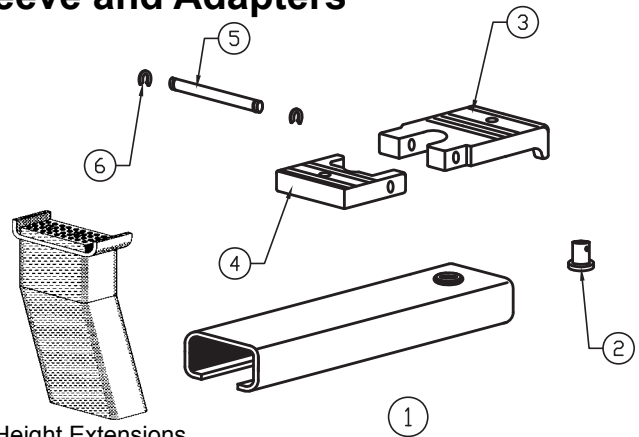


Models DRT10 A&H MKII & MKVI



Item	SVI Part #	OEM#	Req	Description
1	BH-9762-06	JK1154-1		DRT10A - Semi-Hydraulic
	BH-9762-07	JK1155-1		DRT10H - Full Hydraulic
2	BH-9761-70	FJ45		Housing
3	BH-9761-69	FJ45-4		Door Assembly
4	BH-9770-02	FF634-9		Rub Bar
	BH-9770-02K	FF634-30		Rub Bar Kit
5	call with length		2	#8-32 Type T Pan Head Screw
6	BH-9770-01A	FF634-7		Door Retainer
7	F-HC-0375-16-0625		12	3/8 -16 x 5/8 Hex Head Capscrew
8	F-HN-0500-13		4	1/2-13 Hex Nut
9	BH-9701	FF729	1	15" Wide Reach Wheel Spotter
	BH-9702	SVI Exclusive	1	15" Wide Reach Dual Spotter
10*	call for details	FJ2201		Yoke
	call for details	FJ2124		Yoke
11	BH-9755-10	FJ2199		Arm Assembly
	BH-9755-09	FJ2125		Arm Assembly (MKII Original Part #)
12	BH-9760-23	FJ693		Rear Adapter Assembly
	BH-9755-27	FJ672		Rear Adapter Ass'y (MKII Orig. Part #)
13	BH-9760-25	FJ692		Front Adapter Assembly
	BH-9755-19	FJ671		Front Adapter Ass'y (MKII Orig. Part #)
14	BH-MPTR-66	SVI Exclusive	1	Multi-Position Safety Leg
	BH-9766-32	FA2111		Top Release Safety Leg
15	BH-9770-58	FA2158		Safety Leg Guide Tube
	BH-9766-24	FA218		Outer Pipe MKII
16	F-HC-0750-10-3500			3/4-10 x 3-1/2 Hex Head Capscrew

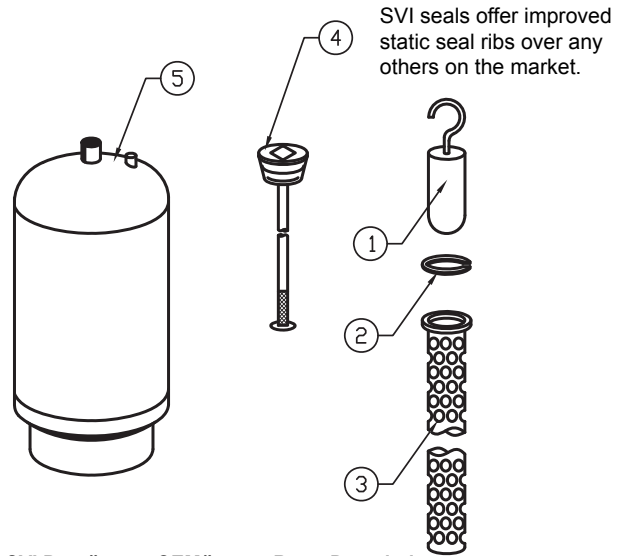
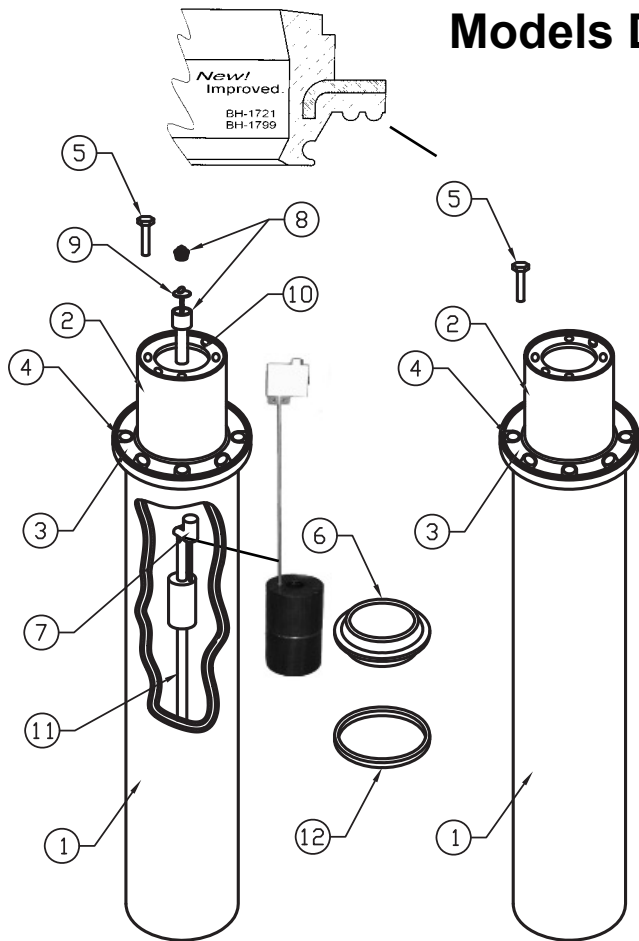
Sleeve and Adapters



Height Extensions
SVI has a huge selection - call for more options.

Item	SVI Part #	OEM#	Req	Description
1	BH-9760-25	FJ692		Adapter/Sleeve Assy. (19") MKVI
	BH-9760-23	FJ693		Adapter/Sleeve Assy. (24") MKVI
	BH-9755-19	FJ671		Adapter/Sleeve Assy. (19") MKII
	BH-9755-27	FJ672		Adapter/Sleeve Assy. (23") MKII
2	BH-9755-25	FJ671-5		Swivel Pin
3	BH-9755-20	FJ671-1		Adapter High Step
	BH-9789-98	FJ697	4	Rubber Pad Adapter for Flip-Up
4	BH-9755-21	FJ671-2		Adapter Low Step
5	BH-9755-22	FJ671-3		Adapter Pin
6	BH-9755-26	FJ671-6		Hog Ring
	BH-9755-50	Height Extension		9" Slip-On w/o Rubber Pad
	BH-9755-50B	Height Extension		9" Slip-On w/ Rubber Pad
	BH-9755-50A	Height Extension		11" Slip-On w/o Rubber Pad

Models DRT10 A&H MKII & MKVI



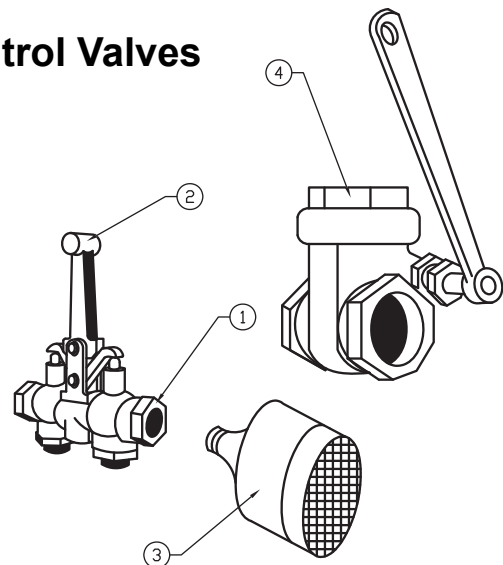
Item	SVI Part #	OEM#	Req	Description
1	BH-9755-11	FA123-8		Low Oil Control
	BH-9810	FA123-8	1	Low Oil Float
	BH-9810-01		1	Float Hook
2	call for details		1	Retaining Ring
3	BH-9791-15	FA125-6		Perforated Tube
4	BH-9807	FA123-18	1	Fill Plug/Gauge Assembly
5	BH-9802-C		1	Tank Kit
	BH-9802-FGC		1	Tank Kit Fiberglass Coated

Item	SVI Part #	OEM#	Req	Description
1	n/a	JK7100	1	Casing for JK1154 & JK1154-1
	n/a	JK7101	1	Casing for JK1155 & JK1155-1
2	BH-9771-81	JK482	1	Plunger for JK1154 & JK1154-1
	BH-9780-02	JK478	1	Plunger for JK1155 & JK1155-1
3	BH-9762-02ATF	SVI Exclusive		10-5/8" Adjust-to-Fit Bearing Kit
	BH-9762-02	JK629	1	10-5/8" Upper Bearing Kit
	BH-1799B	JK622	1	Aluminum Packing Gland
4	FK-60-125	JX207	1	Bleeder Plug
5	F-HC-0875-09-2500		4	7/8-9 x 2-1/2 Hex Head Capscrew
6	BH-1799	JK227 Kit		10-5/8" Seal Kit
	BH-1799/99B	J134	1	10-5/8" Seal and Gland Kit
7	BH-9780-73	FA73		Low Oil Control
8	call for details			1" Close Nipple, Coupling & Plug
9	BH-9768-09	JX196		Oil Gauge
10	BH-9762-96	JK468-2		Flange Bushing
11	BH-9768-04	JX160		Replacement Air Line
12	BH-9762-95	JK438-3-1		"O" Ring

Optional Upper Bearing Kits can help you reduce plunger rock and increase useable lifespan of your lift for many years to come. Choose the field adjustable "ATF" version for precise control of fit during installation. Order BH-9762-02 or BH-9762-02ATF to reduce plunger rock.



Control Valves



Item	SVI Part #	OEM#	Req	Description
1	FK-303-500	FA376		Air Control Valve Non-Locking Semi
	FK-302-500	FA377		Air Control Valve Locking Full Hyd.
2	FK-302-04	FA377-1		Locking Handle
	FH-303-04	FA376-4		Non-Locking Handle
3	BH-9640	FA515		1/2" NPT Metal Air Muffler
4	FK-438	Morrison	1	1-1/4" Internal Spring Oil Valve
	FK-238	Morrison	1	1-1/4" External Spring Oil Valve
	FK-848	AY McDonald	1	1-1/4" External Spring Oil Valve
	FK-902	Milwaukee	1	1-1/4" External Spring Oil Valve

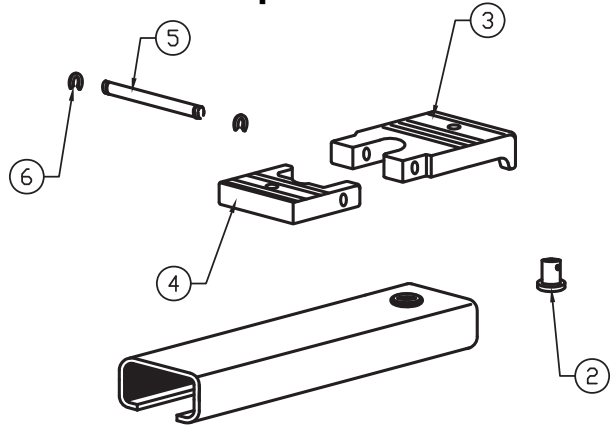


Models FP46A&H MKVI

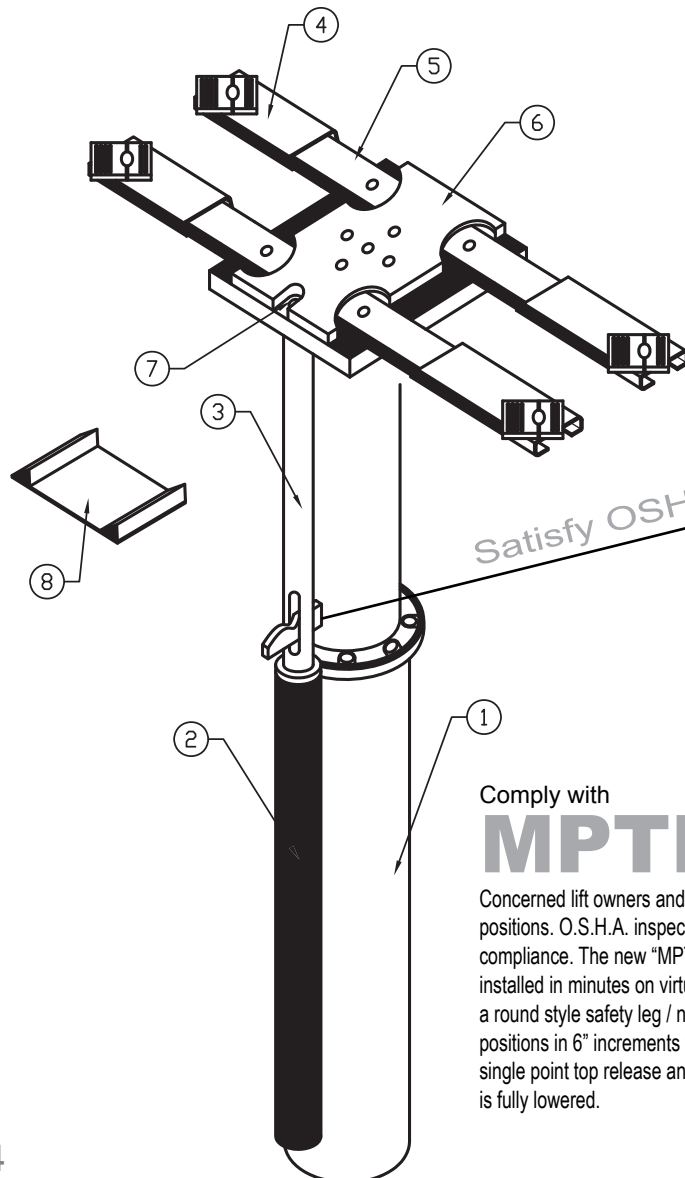
Item	SVI Part #	OEM#	Req	Description
1	BH-9771-75	JK1154	1	Jack Assembly for FP46A
	BH-9762-10	JK1155	1	Jack Assembly for FP46H
2	BH-9766-24	FA218	1	Safety Leg Guide Tube
	BH-9770-58	FA2158		Safety Leg Guide Tube
3	BH-MPTR-66	SVI Exclusive	1	Multi-Position Safety Leg
	BH-9766-32	FA2111		Top Release Safety Leg
4	BH-9755-19	FJ671	4	Sleeve and Adapter Assembly
5*	BH-9755-09	FJ2125	4	Swing Arm Assembly
6*	call for details	FJ298	1	Bolster
7	F-HC-0750-10-3500			3/4-10 x 3-1/2 Hex Head Capscrew
8	BH-9701	SVI Exclusive	1	15" Wide Reach Wheel Spotter
	BH-9702	SVI Exclusive	1	15" Wide Reach Dual Spotter

* Custom Order By Request. Sample may be needed.

Sleeve and Adapters



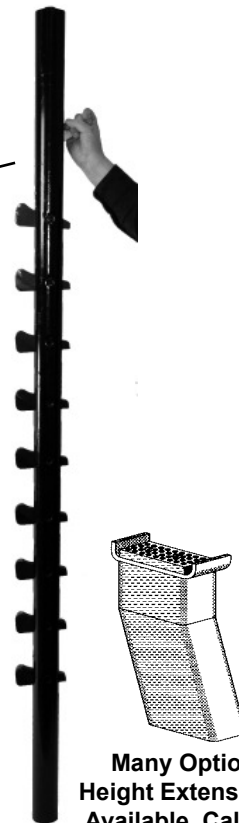
Item	SVI Part #	OEM#	Req	Description
1	BH-9755-19	FJ671	4	Sleeve and Adapter Assembly
2	BH-9755-25	FJ671-5	4	Swivel Pin
3	BH-9755-20	FJ671-1	4	High Step Adapter
	BH-9789-98	FJ697	4	Rubber Pad Adapter for Flip-Up
	BH-9755-36	FJ671-7	1	Adapter Repair Kit (4 arms)
	BH-9755-36-1	FJ671-8	4	Adapter Repair Kit (1 arm)
4	BH-9755-21	FJ671-2	4	Low Step Adapter
5	BH-9755-22	FJ671-3	4	Adapter Pivot Pin
6	BH-9755-26	FJ671-6	16	Hog Ring



Satisfy OSHA

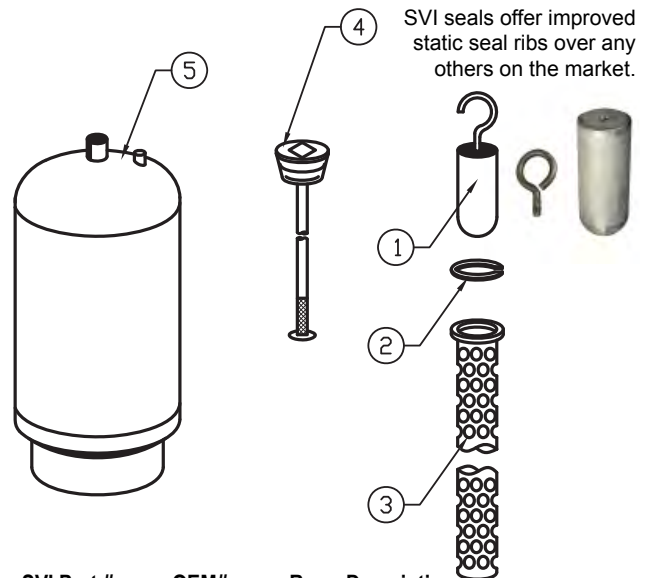
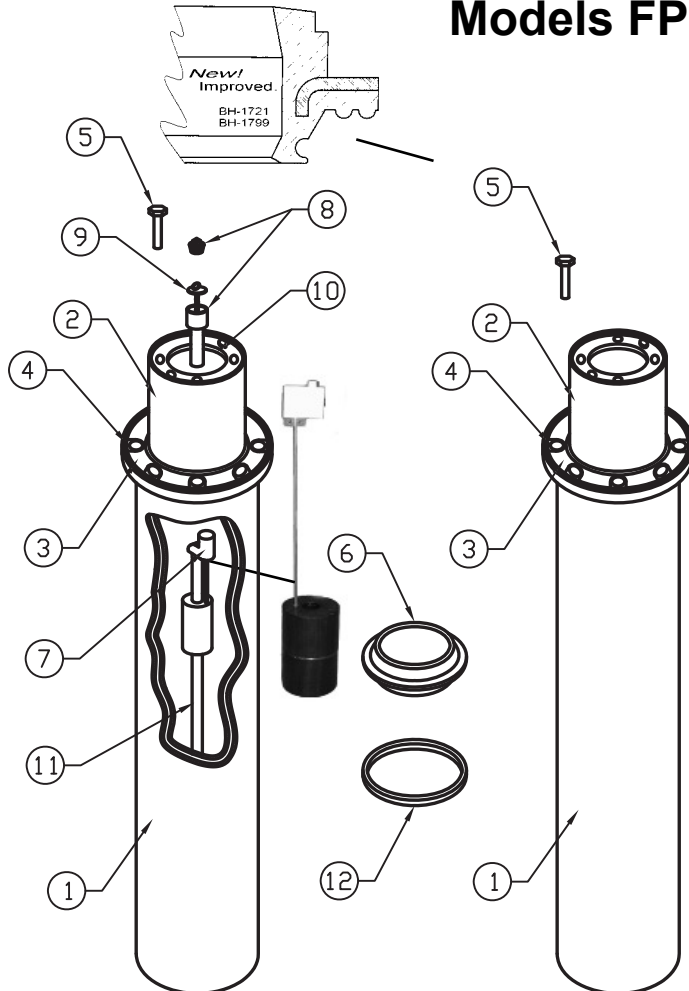
Comply with MPTR

Concerned lift owners and operators have always wanted more locking positions. O.S.H.A. inspectors keep pushing for more safety related compliance. The new "MPTR" series of safety legs from SVI can be installed in minutes on virtually all single post lifts that currently use a round style safety leg / non-rotator. MPTR's offer multiple locking positions in 6" increments throughout the lift's stroke, convenience of single point top release and automatic reset for reuse each time the lift is fully lowered.



Many Options of Height Extensions are Available. Call today!

Models FP46A&H MKVI



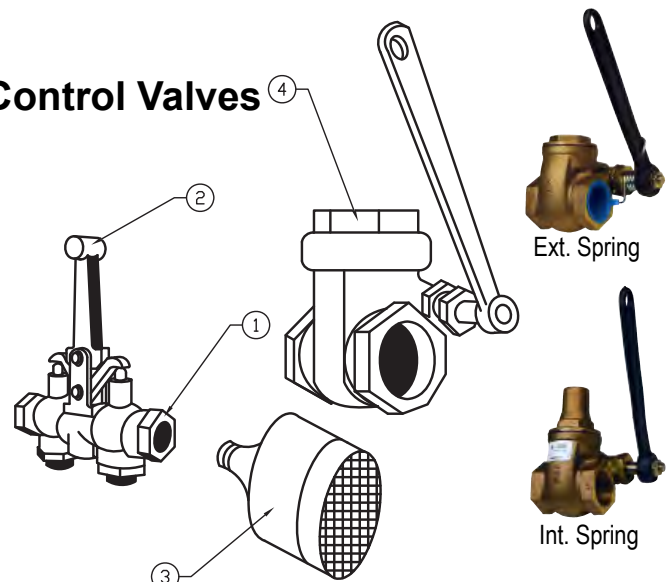
Item	SVI Part #	OEM#	Req	Description
1	BH-9755-11	FA123-8P		Low Oil Control Kit
	BH-9810	FA123-8	1	Low Oil Float
	BH-9810-01		1	Float Hook
2	BH-9791-03	FA123-12	1	Seal
3	BH-9791-15	FA125-6		Perforated Tube
4	BH-9807	FA123-18	1	Fill Plug/Gauge Assembly
5	BH-9802-C		1	Tank Kit
	BH-9802-FGC		1	Tank Kit Fiberglass Coated

Item	SVI Part #	OEM#	Req	Description
1	n/a	JK7100	1	Casing for JK1154
	n/a	JK7101	1	Casing for JK1155
2	BH-9771-81	JK482	1	Plunger for JK1154
	BH-9780-02	JK478	1	Plunger for JK1155
3	BH-9762-02ATF	SVI Exclusive	1	10-5/8" Adjust-to-Fit Bearing Kit
	BH-9762-02	JK629	1	10-5/8" Upper Bearing Kit
	BH-1799B	JK622	1	Aluminum Packing Gland
4	FK-60-125	JX207	1	Bleeder Plug
5	F-HC-0875-09-4500		4	7/8-9NC x 4-1/2" Lg. HHCS
6	BH-1799	JK227	1	10-5/8" Seal Kit
	BH-1799/99B	JK227Kit	1	10-5/8" Seal and Gland Kit
7	BH-9780-73	FA73	1	Low Oil Control
8	call for details			1" Close Nipple, Coupling & Plug
9	BH-9768-09	JX196		Oil Gauge
10	BH-9762-96	JK468-2		Flange Bushing
11	BH-9768-04	JX160	1	Replacement Air Line
12	BH-9762-95	JK438-3-1	1	"O" Ring

Optional Upper Bearing Kits can help you reduce plunger rock and increase usable lifespan of your lift for many years to come. Choose the field adjustable "ATF" version for precise control of fit during installation. Order BH-9762-02 or BH-9762-02ATF to reduce plunger rock.



Control Valves



Item	SVI Part #	OEM#	Req	Description
1	FK-303-500	FA376	1	Air Control Valve Non-Locking Semi
	FK-302-500	FA377	1	Air Control Valve Locking Full Hyd.
2	FK-302-04	FA377-1	1	Locking Handle
	FH-303-04	FA376-4	1	Non-Locking Handle
3	BH-9640	FA515	1	1/2" NPT Metal Air Muffler
4	FK-438	Morrison	1	1-1/4" Internal Spring Oil Valve
	FK-238	Morrison	1	1-1/4" External Spring Oil Valve
	FK-848	AY McDonald	1	1-1/4" External Spring Oil Valve
	FK-902	Milwaukee	1	1-1/4" External Spring Oil Valve

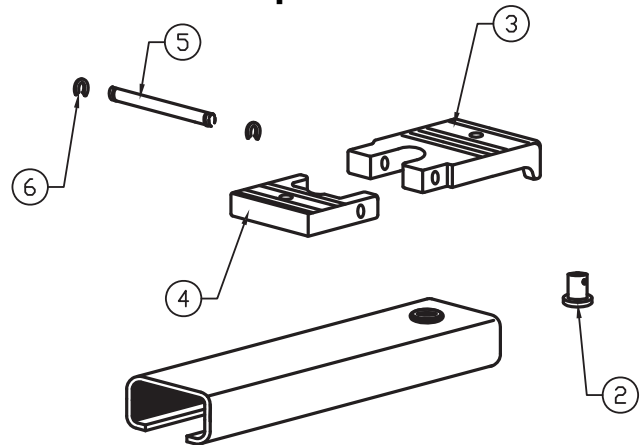


Models FP46A&H MKVII

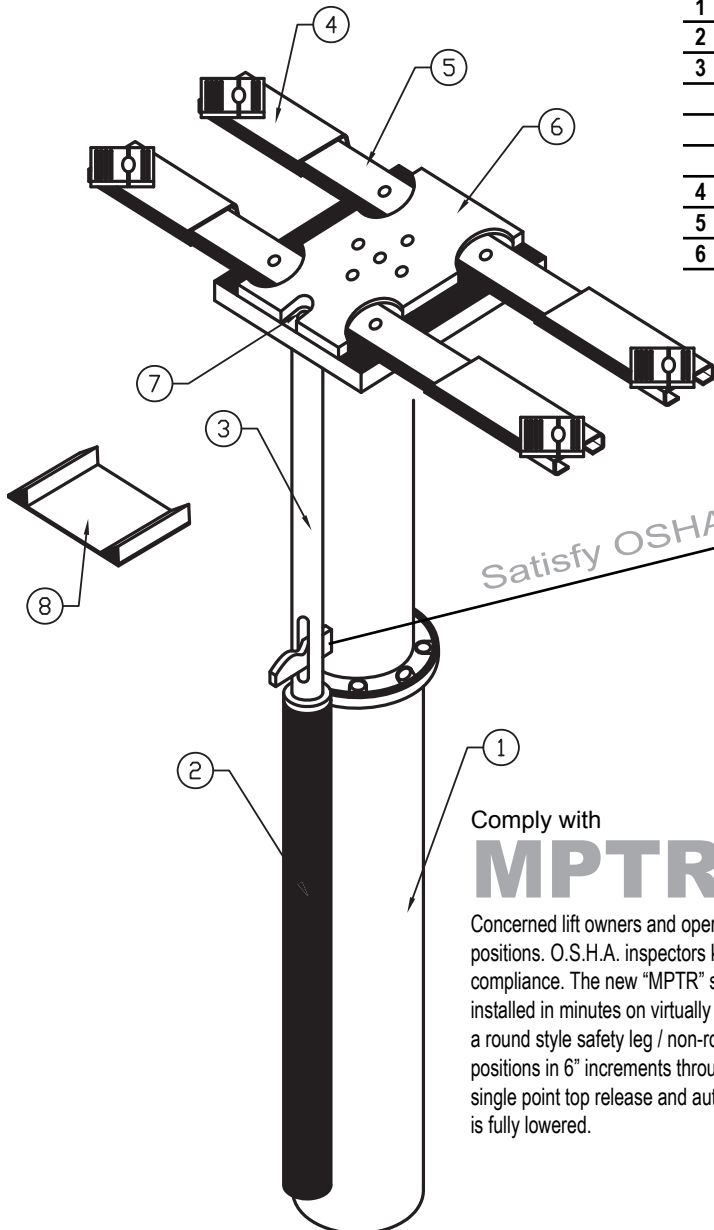
Item	SVI Part #	OEM#	Req	Description
1	BH-9771-75	JK1154		FP46 Airdraulic
	BH-9762-10	JK1155		FP46 Full Hydraulic
2	BH-9770-58	FA2158		Safety Leg Guide Tube
3	BH-MPTR-66	SVI Exclusive	1	Multi-Position Safety Leg
	BH-EL-66	FA2226		Manual Release Safety Leg
	BH-TR-66			Top Release Safety Leg
4	BH-9760-25	FJ692		Adapter Assembly
5	BH-9755-10	FJ2199		Arm Assembly
6*	BH-9780-01	FJ2202		Yoke
7	F-HC-0750-10-3500			3/4-10x3-1/2 Hex Head Capscrew
8	BH-9701	SVI Exclusive	1	15" Wide Reach Wheel Spotter
	BH-9702	SVI Exclusive	1	15" Wide Reach Dual Spotter

* Custom Order By Request. Sample may be needed.

Sleeve and Adapters



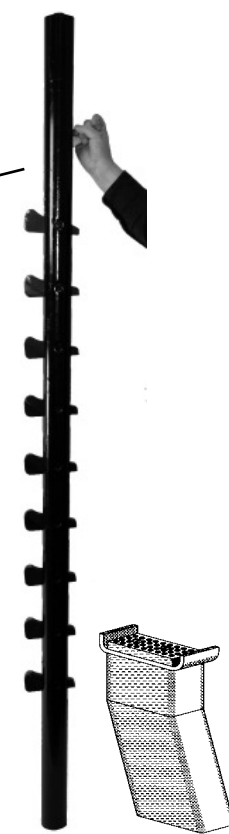
Item	SVI Part #	OEM#	Req	Description
1	BH-9760-25	FJ692	4	Sleeve and Adapter Assembly
2	BH-9755-25	FJ671-5	4	Swivel Pin Short
3	BH-9755-20	FJ671-1	4	High Step Adapter
	BH-9789-98	FJ697	4	Rubber Pad Adapter for Flip-Up
	BH-9755-36	FJ671-7	1	Adapter Repair Kit (4 arms)
	BH-9755-36-1	FJ671-8	4	Adapter Repair Kit (1 arm)
4	BH-9755-21	FJ671-2		Low Step Adapter
5	BH-9755-22	FJ671-3		Adapter Pivot Pin
6	BH-9755-26	FJ671-6		3/32" Hog Ring for 1/2" Shaft



Satisfy OSHA

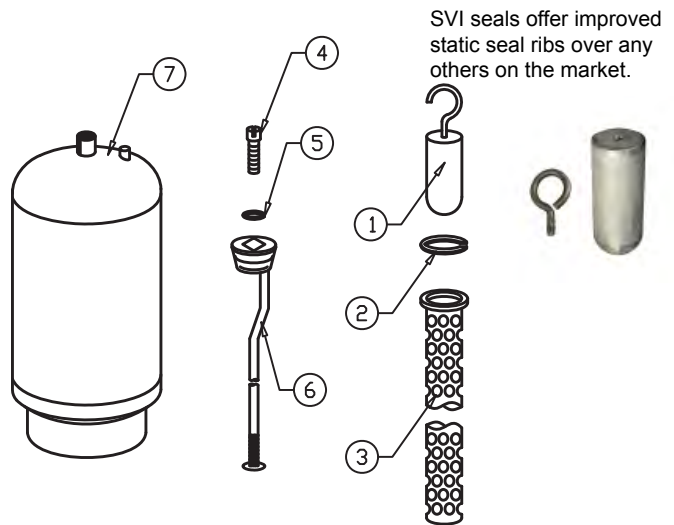
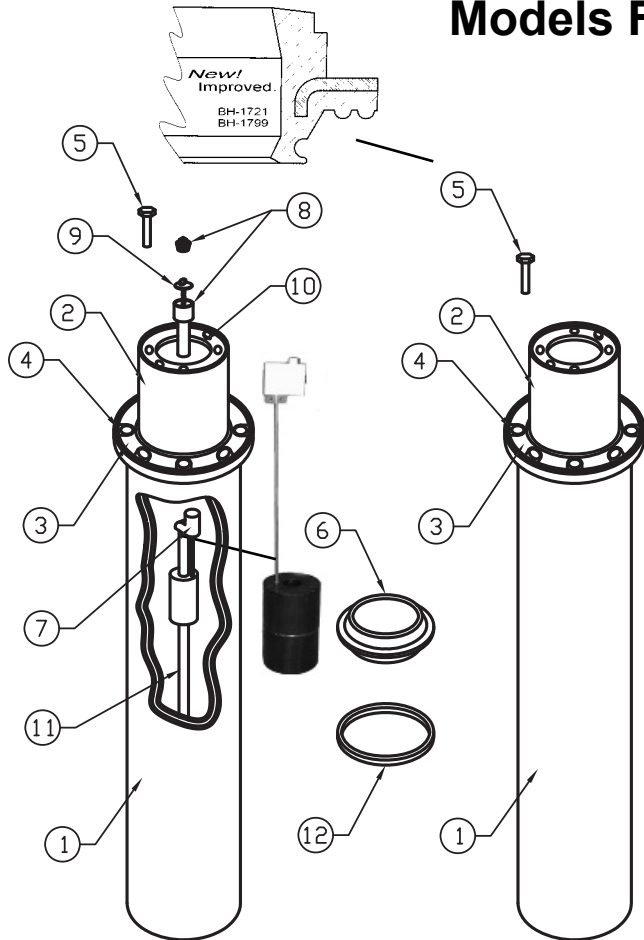
Comply with **MPTR**

Concerned lift owners and operators have always wanted more locking positions. O.S.H.A. inspectors keep pushing for more safety related compliance. The new "MPTR" series of safety legs from SVI can be installed in minutes on virtually all single post lifts that currently use a round style safety leg / non-rotator. MPTR's offer multiple locking positions in 6" increments throughout the lift's stroke, convenience of single point top release and automatic reset for reuse each time the lift is fully lowered.



SVI has a huge selection of Height Extensions Call Today!

Models FP46A&H MKVII



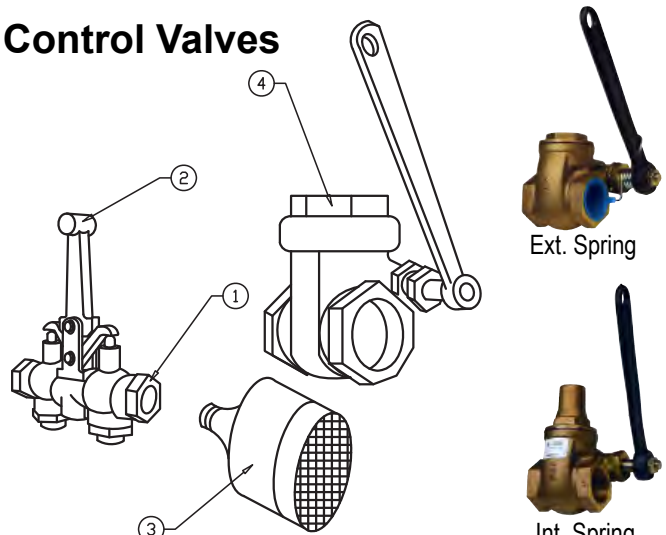
Item	SVI Part #	OEM#	Req	Description
1	BH-9755-11	FA123-8		Low Oil Control
	BH-9810	FA123-8	1	Low Oil Float
	BH-9810-01		1	Float Hook
2	call for details			Retaining Ring
3	BH-9791-15	FA125-6		Perforated Tube
4	BH-9791-02	FA-123-11		Vent Screw
5	BH-9791-03	FA123-12		Seal
6	BH-9807	FA123-18	1	Fill Plug/Gauge Assembly
7	BH-9802-C		1	Tank Kit
	BH-9802-FGC		1	Tank Kit Fiberglass Coated

Item	SVI Part #	OEM#	Req	Description
1	n/a	JK7100	1	Casing for JK1154
	n/a	JK7101	1	Casing for JK1155
2	BH-9771-81	JK482	1	Plunger for JK1154
	BH-9780-02	JK478	1	Plunger for JK1155
3	BH-9762-02ATF	SVI Exclusive	1	10-5/8" Adjust-to-Fit Bearing Kit
	BH-9762-02	JK629	1	10-5/8" Upper Bearing Kit
	BH-1799B	JK622	1	Aluminum Packing Gland
4	FK-60-125	JX207	1	Bleeder Plug
5	F-HC-0875-09-4500		4	7/8"-9NC x 4-1/2" Lg. HHCS
6	BH-1799	JK227	1	10-5/8" Seal Kit
	BH-1799/99B	JK227Kit	1	10-5/8" Seal and Gland Kit
7	BH-9780-73	FA73	1	Low Oil Control
8	call for details			1" Close Nipple, Coupling & Plug
9	BH-9768-09	JX196		Oil Gauge
10	BH-9762-96	JK468-2		Flange Bushing
11	call for details		1	Replacement Air Line
12	BH-9762-95	JK438-3-1	1	"O" Ring

Optional Upper Bearing Kits can help you reduce plunger rock and increase useable lifespan of your lift for many years to come. Choose the field adjustable "ATF" version for precise control of fit during installation. Order BH-9762-02 or BH-9762-02ATF to reduce plunger rock.



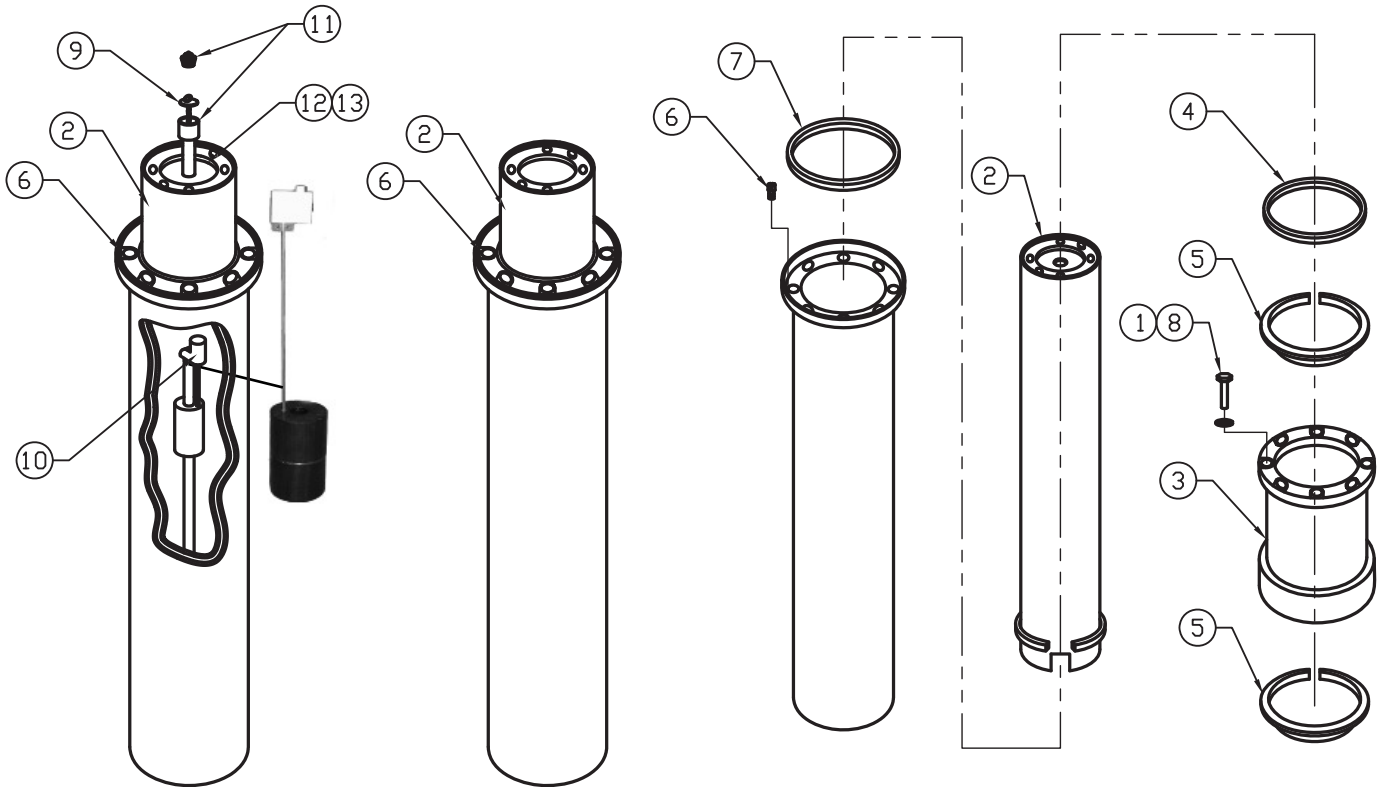
Control Valves



Item	SVI Part #	OEM#	Req	Description
1	FK-303-500	FA376	1	Air Control Valve Non-Locking Semi
	FK-302-500	FA377	1	Air Control Valve Locking Full Hyd.
2	FK-302-04	FA377-1	1	Locking Handle
	FH-303-04	FA376-4	1	Non-Locking Handle
3	BH-9640	FA515	1	1/2" NPT Metal Air Muffler
4	FK-438	Morrison	1	1-1/4" Internal Spring Oil Valve
	FK-238	Morrison	1	1-1/4" External Spring Oil Valve
	FK-848	AY McDonald	1	1-1/4" External Spring Oil Valve
	FK-902	Milwaukee	1	1-1/4" External Spring Oil Valve

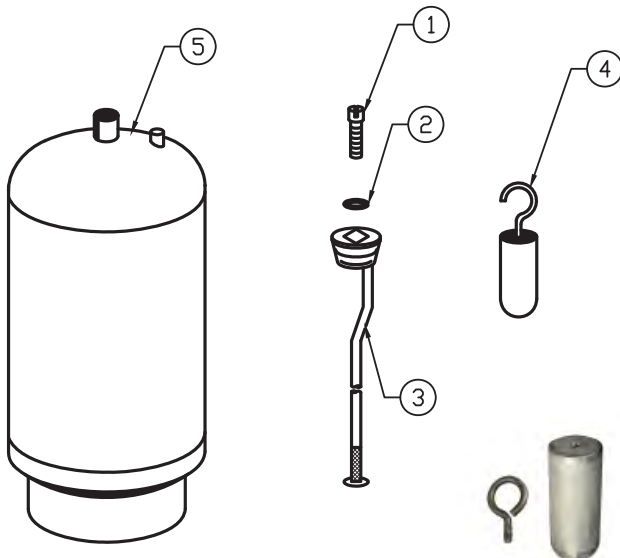


Models FP46A-100, FP46H-100, BU10A-100, BU10H-100, PF10A-100 and PF10H-100



Item	SVI Part #	OEM#	Req	Description
1	F-LW-0625	40950	8	5/8" Std. Spring Lock Washer
2	n/a	JK4143		Semi-Hydraulic Plunger
	call for details	JK4139		Full Hydraulic Plunger
3	call for details	JK515		Upper and Lower Bearing Housing
4	BH-9762-81	JK238		10-5/8" Seal and Wiper (1-piece)
5	BH-9762-80	JK237		Bearing
6	FK-60-125	JX207		Bleeder Screw

Item	SVI Part #	OEM#	Req	Description
7	BH-9762-82	JK239		"O" Ring
8	F-HC-0625-11-1750	40347	8	5/8-11x1-3/4 Hex Head Capscrew
9	BH-9768-09	JX196		Gauge
10	BH-9780-73	FA73		Low Oil Control
11	call for details			1" Close Nipple, Coupling & Plug
12	BH-9762-96	JK468-2		Flange Bushing
13	BH-9762-95	JK438-3-1		"O" Ring



- Please let us know what we are doing right and what we are doing wrong. We want your business and your satisfaction.
- Whenever you need a lift repair product or lift problem solution, we hope you please consider SVI as your first choice.
- SVI cares about making quality lift repair parts and not simply bottom line performance. This is the reason you will often see improvements in product quality and design criteria versus that of the original manufacturer.
- Insist on genuine SVI lift repair parts, every time.
- Did you know that SVI also supplies parts for the production of new lifts to many of today's existing lift manufacturers?

Item	SVI Part #	OEM#	Req	Description
1	BH-9791-02	FA123-11		Vent Screw
2	BH-9791-03	FA123-12		Seal
3	BH-9807	FA123-18	1	Fill Plug/Gauge Assembly
4	BH-9755-11	FA123-8P		Low Oil Control Kit
	BH-9810	FA123-8	1	Low Oil Float
	BH-9810-01		1	Float Hook
5	BH-9802-C		1	Tank Kit
	BH-9802-FGC		1	Tank Kit Fiberglass Coated

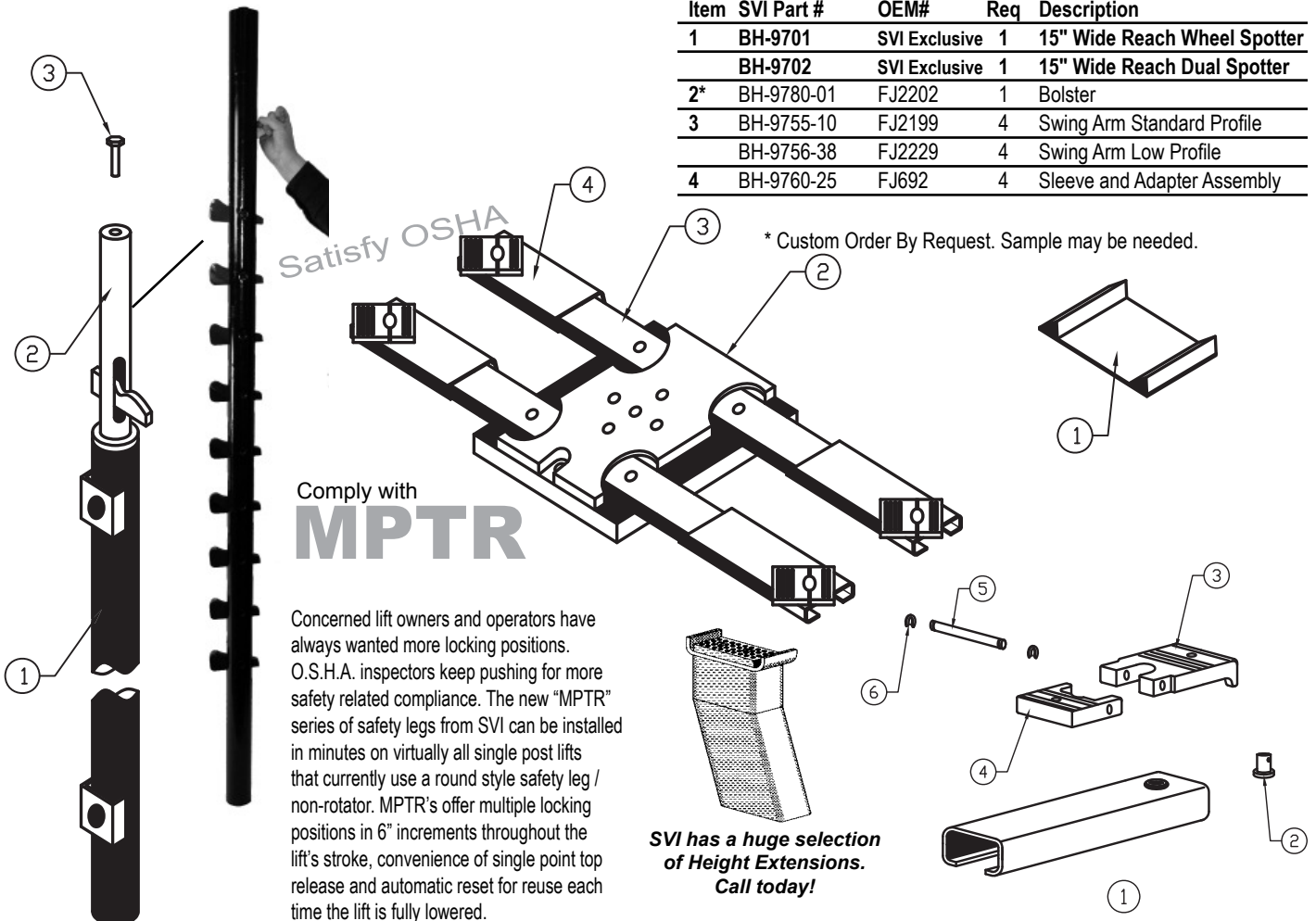


Models FP46A-100, FP46H-100, BU10A-100, BU10H-100, PF10A-100 and PF10H-100

FP Superstructure

Item	SVI Part #	OEM#	Req	Description
1	BH-9701	SVI Exclusive	1	15" Wide Reach Wheel Spotter
	BH-9702	SVI Exclusive	1	15" Wide Reach Dual Spotter
2*	BH-9780-01	FJ2202	1	Bolster
3	BH-9755-10	FJ2199	4	Swing Arm Standard Profile
	BH-9756-38	FJ2229	4	Swing Arm Low Profile
4	BH-9760-25	FJ692	4	Sleeve and Adapter Assembly

* Custom Order By Request. Sample may be needed.



Comply with **MPTR**

Concerned lift owners and operators have always wanted more locking positions. O.S.H.A. inspectors keep pushing for more safety related compliance. The new "MPTR" series of safety legs from SVI can be installed in minutes on virtually all single post lifts that currently use a round style safety leg / non-rotator. MPTR's offer multiple locking positions in 6" increments throughout the lift's stroke, convenience of single point top release and automatic reset for reuse each time the lift is fully lowered.

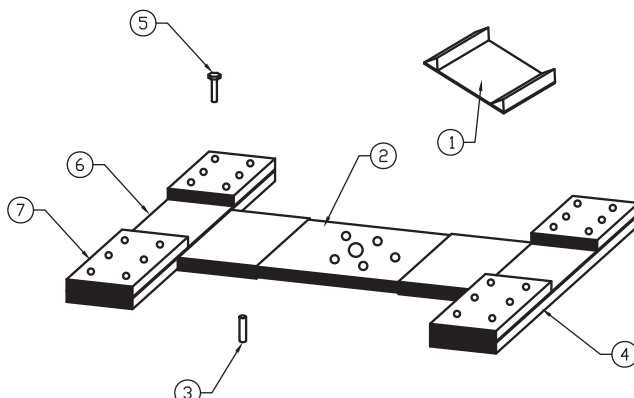
SVI has a huge selection of Height Extensions. Call today!

Item	SVI Part #	OEM#	Req	Description
1	BH-9766-19GT	FA2404	1	Safety Leg Guide Tube
2	BH-MPTR-66	SVI Exclusive	1	Multi-Position Safety Leg
	BH-EL-66	FA2226		Manual Release Safety Leg
	BH-TR-66			Top Release Safety Leg
3	F-HC-0750-10-2500	40450		3/4-10x2-1/2 Hex Head Capscrew

Item	SVI Part #	OEM#	Req	Description
1	BH-9760-25	FJ692	4	Sleeve/Adapter Assy. (19" Long)
2	BH-9755-25	FJ671-5	4	Swivel Pin
3	BH-9755-20	FJ671-1	4	High Step Adapter
	BH-9789-98	FJ697	4	Rubber Pad Adapter for Flip-Up
4	BH-9755-21	FJ671-2	4	Low Step Adapter
5	BH-9755-22	FJ671-3	4	Adapter Pivot Pin
6	BH-9755-26	FJ671-6	8	3/32" Hog Ring for 1/2" Shaft
	BH-9755-50	Height Extension	9"	Slip-On w/o Rubber Pad
	BH-9755-50B	Height Extension	9"	Slip-On W/ Rubber Pad
	BH-9755-50A	Height Extension	11"	Slip-On w/o Rubber Pad

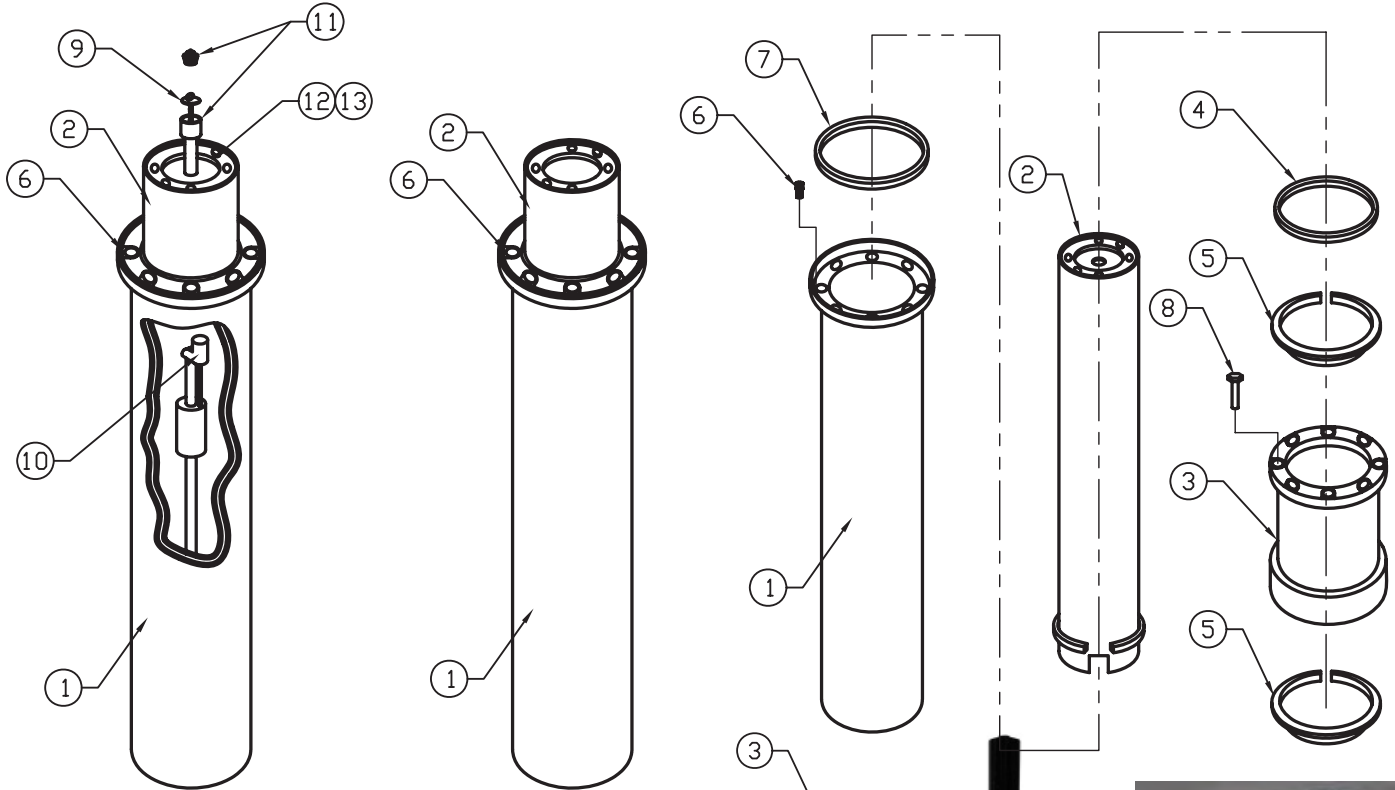
PF Superstructure

Item	SVI Part #	OEM#	Req	Description
1	BH-9701	SVI Exclusive	1	15" Wide Reach Wheel Spotter
	BH-9702	SVI Exclusive	1	15" Wide Reach Dual Spotter
2*	BH-9755-08	FJ2133		Bolster
3	F-RP-500-1250	14475	4	1/2"x1-1/4" Roll Pin
4	BH-9756-21	FJ2192		Pad Assembly
5	call for details	41351		1/4" x 1 Rivet
6	BH-9756-18	FJ2192-1		Sleeve & Support Assembly (Less Pads)
7	BH-7505-12	FJ2177-2		Rubber Pad
	BH-7505-12K	GP1012		Rubber Pad (Set of 4)

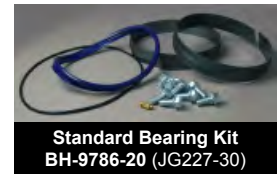




Models FP87A-3, FP87A-4, FP87A-6, FP87H-1, FP87H-3, FP87H-5, FP87A-2, FP87A-5, FP87H-2 and FP87H-4



Item	SVI Part #	OEM#	Req	Description
1	n/a		1	Casing Assembly
2	call for details	JG464	1	Plunger Assembly
	BH-9792-71	JG465	1	Plunger Assembly
	call for details	JG460	1	Plunger Assembly
	BH-9792-70	JG461	1	Plunger Assembly
3	BH-9761-03	JG512	1	Upper and Lower Bearing Housing
4	BH-1706	JG227	1	8-1/2" Seal Kit
5	BH-9761-04	JG766-6	2	Bearing Strip
6	FK-60-125	JX207	1	Bleeder Plug
7	BH-9792-61	JG37	1	O-Ring
8	F-FHC-0500-13-1250	40229	8	1/2-13 x 1-1/4 Flange Head Capscrew
9	call for details	JX235	1	Gauge
10	BH-9767-55	FA7124		Low Oil Control for Semi-Hyd
11	call for details			3/4" Close Nipple Coupling & Plug
12	call for details	JG462		Flange Bushing
13	BH-9762-95	JK438-3-1		O-Ring
KIT	BH-9786-20	JG227-30		Standard Bearing Kit



Satisfy OSHA

Comply with

MPTR

Concerned lift owners and operators have always wanted more locking positions. O.S.H.A. inspectors keep pushing for more safety related compliance. The new "MPTR" series of safety legs from SVI can be installed in minutes on virtually all single post lifts that currently use a round style safety leg / non-rotator. MPTR's offer multiple locking positions in 6" increments throughout the lift's stroke, convenience of single point top release and automatic reset for reuse each time the lift is fully lowered.

Safety Leg

Item	SVI Part #	OEM#	Req	Description
1	BH-9770-58	FA2158		Safety Leg Guide Tube
2	BH-MPTR-66	SVI Exclusive	1	Multi-Position Safety Leg
	BH-EL-66			Manual Release Safety Leg
	BH-TR-66			Top Release Safety Leg
3	F-HC-0750-10-3500	FA27-8		3/4-10x3-1/2 Hex Head Capscrew

P
a
g
e



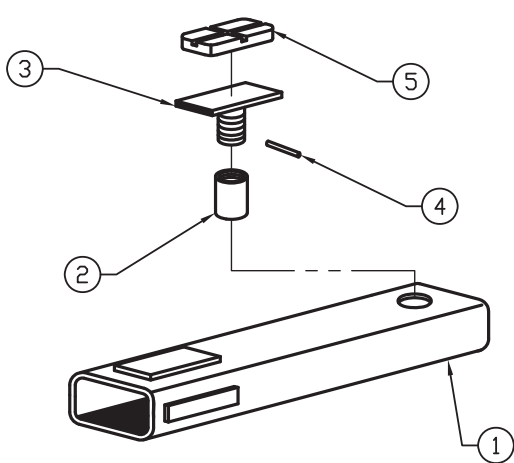
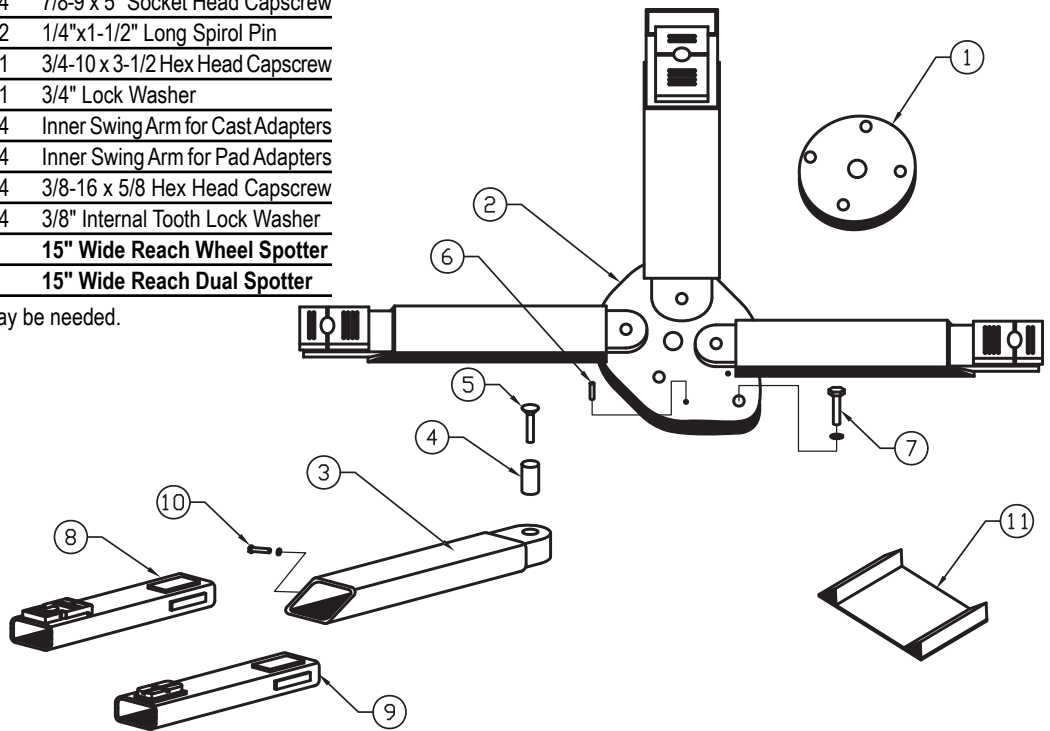
Models FP87A-3, FP87A-4, FP87A-6, FP87H-1, FP87H-3, FP87H-5, FP87A-2, FP87A-5, FP87H-2 and FP87H-4

Item	SVI Part #	OEM#	Req	Description
1	BH-9761-79	FJ2360-1	1	Bolster Cap
2	BH-9761-80	FJ2360	1	Bolster Plate
3*	BH-9761-81	FJ2362	4	Outer Swing Arm
4	BH-9761-82	FJ2364	4	Pivot Sleeve
5	F-SC-0875-09-5000		4	7/8-9 x 5" Socket Head Capscrew
6	F-RP0250-1500	14420	2	1/4"x1-1/2" Long Spirol Pin
7	F-HC-0750-10-3500	FA27-8	1	3/4-10 x 3-1/2 Hex Head Capscrew
	F-LW-0750	40995	1	3/4" Lock Washer
8*	BH-9761-83	FJ2361	4	Inner Swing Arm for Cast Adapters
9*	BH-9761-84	FJ2363	4	Inner Swing Arm for Pad Adapters
10	F-HC-0375-16-0625	40155	4	3/8-16 x 5/8 Hex Head Capscrew
	F-ITLW-0375	40843	4	3/8" Internal Tooth Lock Washer
11	BH-9701	SVI Exclusive		15" Wide Reach Wheel Spotter
	BH-9702	SVI Exclusive		15" Wide Reach Dual Spotter

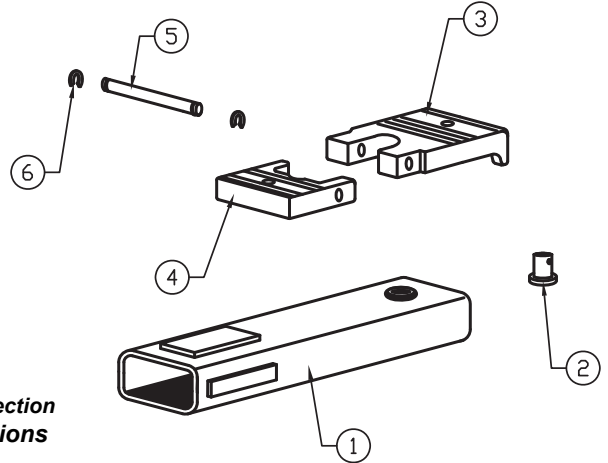
* Custom Order By Request. Sample may be needed.



SVI seals are made to exacting specifications, which meet or exceed typical industry specifications. For this reason SVI is the largest most trusted supplier in the automotive lift industry.



SVI has a huge selection of Height Extensions Call today!

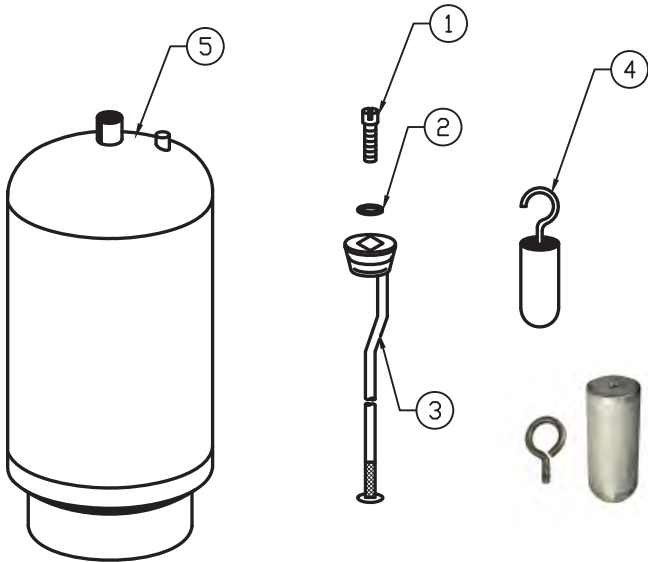


Item	SVI Part #	OEM#	Req	Description
1*	BH-9761-84	FJ2363	4	Inner Swing Arm for Pad Adapters
2	BH-9785-01	FJ7864-3	4	Insert
3	BH-9785-00	FJ7859	4	Rectangular Adapter Weldment
4	F-RP-125-1500	14451	4	1/8"x1-1/2" Roll Pin
5	BH-7508-61	FJ7735-2	4	Rectangle Adapter Pad - Yellow
	BH-7508-63	FJ7735-3	4	Adapter Pad with Deep Groove
6	BH-7533-84	FJ6125		Adapter Assembly (Consists of Pieces 2, 3, 4 & 5)

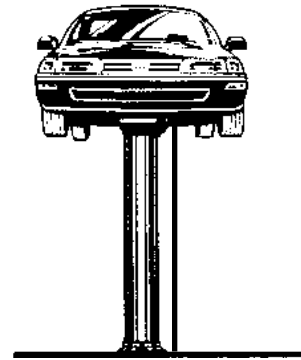
Item	SVI Part #	OEM#	Req	Description
1*	BH-9761-63	FJ2361	4	Inner Swing Arm for Cast Adapters
2	BH-9755-25L	FJ79-6	4	Adapter Swivel Pin
3	BH-9755-20	FJ671-1	4	High Step Adapter
	BH-9789-98	FJ697	4	Rubber Pad Adapter for Flip-Up
4	BH-9755-21	FJ671-2	4	Low Step Adapter
5	BH-9755-22	FJ671-3	4	Adapter Pivot Pin
6	BH-9755-26	FJ671-6	8	Hog Ring Clips



Models FP87A-3, FP87A-4, FP87A-6, FP87H-1, FP87H-3, FP87H-5, FP87A-2, FP87A-5, FP87H-2 and FP87H-4

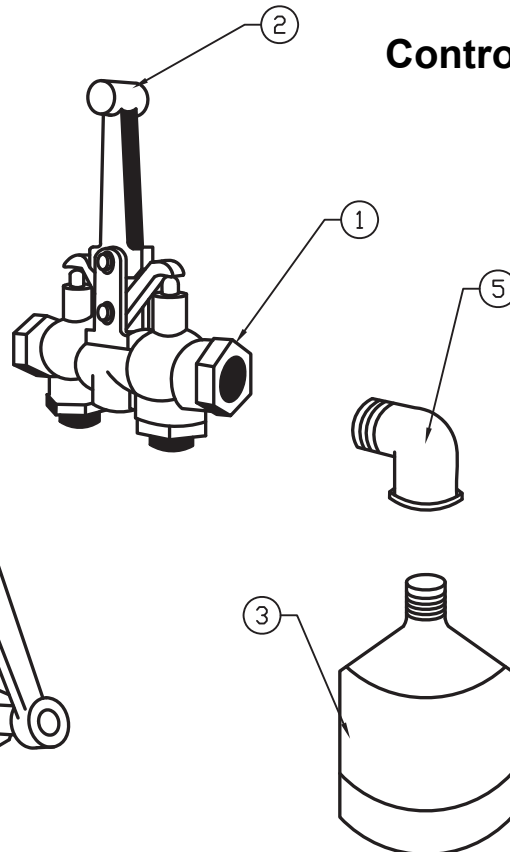


Item	SVI Part #	OEM#	Req	Description
1	BH-9791-02	FA123-11		Vent Screw
2	BH-9791-03	FA123-12		Seal
3	BH-9807	FA123-18	1	Fill Plug/Gauge Assembly
4	BH-9755-11	FA123-8P		Low Oil Control Kit
	BH-9810	FA123-8	1	Low Oil Float
	BH-9810-01		1	Float Hook
5	BH-9802-C		1	Tank Kit
	BH-9802-FGC		1	Tank Kit Fiberglass Coated



Item	SVI Part #	OEM#	Req	Description
1	FK-303-500	FA376	1	Air Control Valve Non-Locking Semi
	FK-302-500	FA377	1	Air Control Valve Locking Full Hydraulic
2	FK-302-04	FA377-1	1	Locking Handle
	FK-303-04	FA376-4	1	Non-Locking Handle
3	BH-9640	FA515	1	1/2" NPT Metal Air Muffler
4	FK-438	Morrison	1	1-1/4" Internal Spring Oil Valve
	FK-238	Morrison	1	1-1/4" External Spring Oil Valve
	FK-848	AY McDonald	1	1-1/4" External Spring Oil Valve
	FK-902	Milwaukee	1	1-1/4" External Spring Oil Valve
5	Hardware Store		1	Elbow

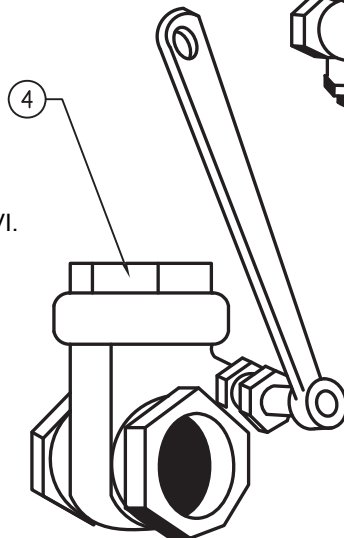
Control Valves



The choice is yours.....

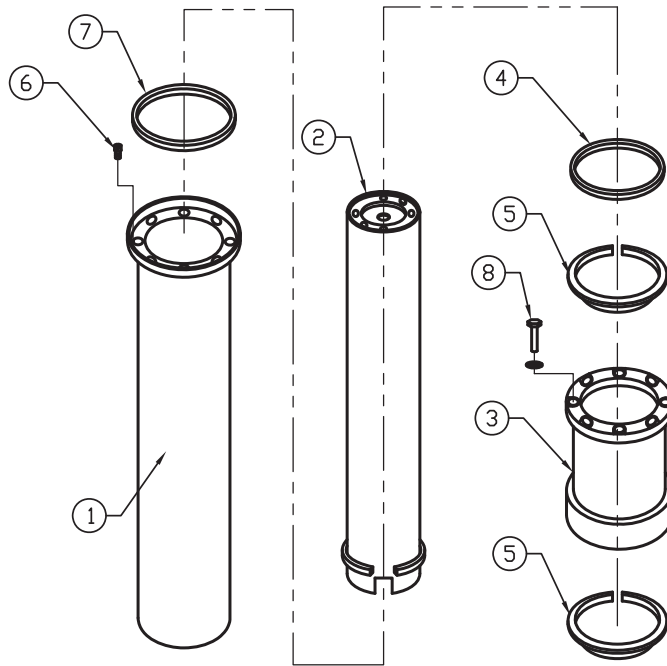
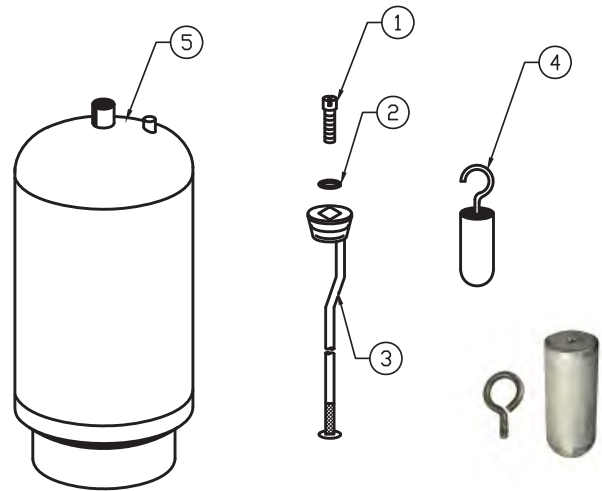
When ordering a new oil valve choose from your favorite make. SVI features all the brands so your preference is covered.

For the largest selection of automotive service equipment professionals turn to SVI.



Models DTO28H-27 & 28, PT20H-11, RBU68H-2 and WABU28H-12

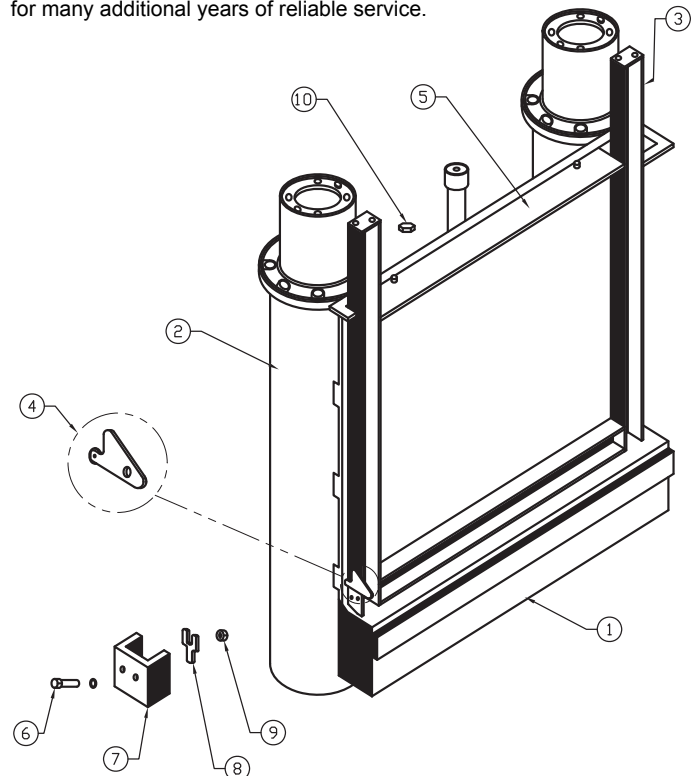
Item	SVI Part #	OEM#	Req	Description
1	n/a	JG766		Casing Assembly (DTO-PT-RBU)
	n/a	JG189		Casing Assembly (WABU)
2	BH-9761-29	JG446		Plunger Assembly (6 Hole)
3	BH-9761-03	JG512		Guide Assembly (DTO-PT-RBU)
	BH-9760-13	JG513		Guide Assembly (WABU)
4	BH-1706	JG227		8-1/2" Seal and Wiper
5	BH-9761-04	JG766-6		Bearing Strip
6	FK-60-125	JX207		Bleeder Screw
7	BH-9792-61	JG37		"O" Ring
8	F-HC-0500-13-1250	40281	8	1/2-13 x 1-1/4 Hex Head Capscrew
	F-ETLW-0500	40880	8	1/2" Ext. Tooth Lock Washer
KIT	BH-9786-20	JG227-30		Standard Bearing Kit



Item	SVI Part #	OEM#	Req	Description
1	BH-9760-06	FJ38	1	Equalizer Housing
2	BH-9792-50	JG199	2	Cyl. Assembly (DTO-PT-RBU)
	BH-9792-37	JG189	2	Cyl. Assembly (WABU)
3	BH-9760-05	FJ37	1	Equalizer Frame (DTO-PT-RBU)
	BH-9760-34	FJ314	1	Equalizer Frame (WABU)
	BH-9760-09	SVI Original	1	Rack & Pinion Upgrade Kit
	BH-9760-09AL	SVI Original	1	Rack & Pinion Upgrade Kit w/Lock
4	BH-9760-01	FA279	1	Replacement Latch Kit (2 latches)
5	BH-9760-07	FJ38-11	1	Center Cover
6	F-HC-0312-18-1000	40233	4	5/16-18 x 1" Hex Head Capscrew
	F-LW-0312	40217	4	5/16" Lock Washer
7	BH-9760-02	FJ321-5		Slider Block
8	BH-9760-78	FJ321-6		Shim
9	F-HN-0312	40670	4	5/16" Hex Nut
10	F-HN-0250	40625	2	1/4" Hex Nut

Item	SVI Part #	OEM#	Req	Description
1	BH-9791-02	FA123-11	1	Vent Screw
2	BH-9791-03	FA123-12	1	Seal
3	BH-9807	FA123-18	1	Fill Plug/Gauge Assembly
4	BH-9755-11	FA123-8P		Low Oil Control Kit
	BH-9810	FA123-8	1	Low Oil Float
	BH-9810-01		1	Float Hook
5	BH-9802-C		1	Tank Kit
	BH-9802-FGC		1	Tank Kit Fiberglass Coated

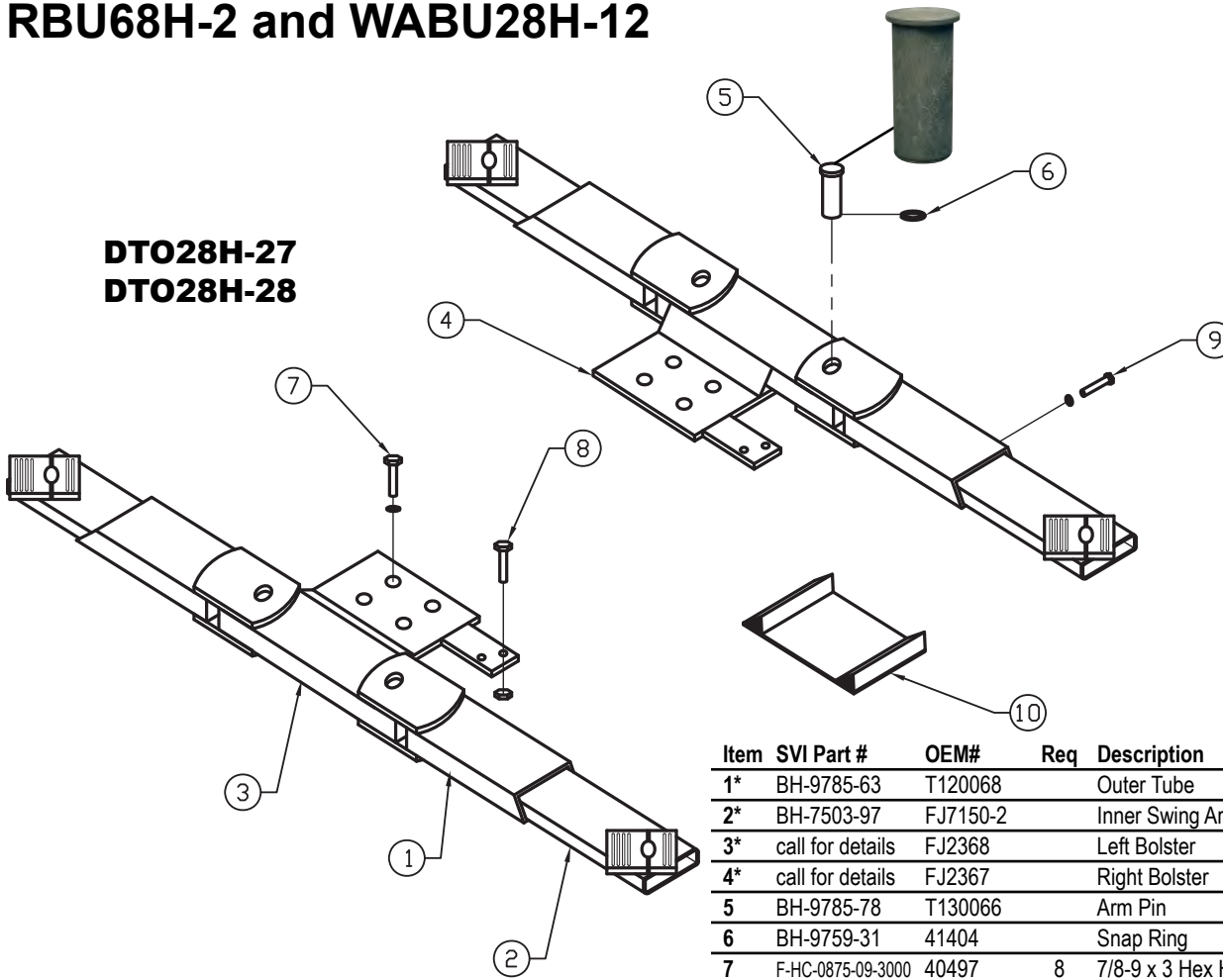
Note: If equalizer housing is caving in you can upgrade the lift to use the **SVI Original Rack and Pinion Equalizer Kit**. This kit allows you to inexpensively save the lift for many additional years of reliable service.





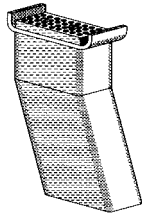
Models DTO28H-27 & 28, PT20H-11, RBU68H-2 and WABU28H-12

DTO28H-27 DTO28H-28



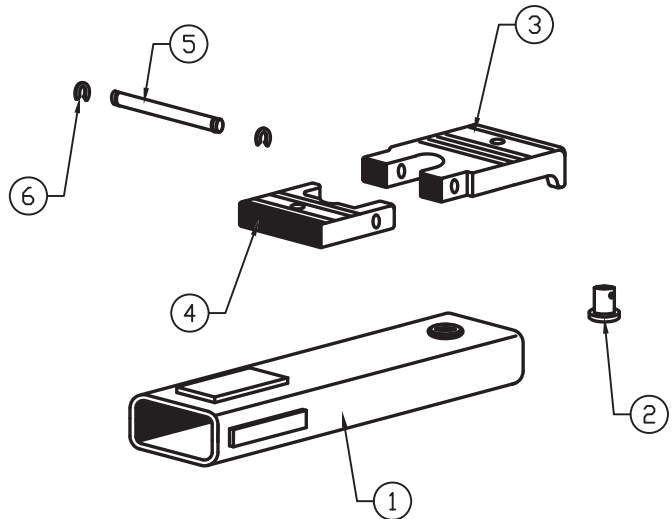
Item	SVI Part #	OEM#	Req	Description
1*	BH-9785-63	T120068		Outer Tube
2*	BH-7503-97	FJ7150-2		Inner Swing Arm with Adapters
3*	call for details	FJ2368		Left Bolster
4*	call for details	FJ2367		Right Bolster
5	BH-9785-78	T130066		Arm Pin
6	BH-9759-31	41404		Snap Ring
7	F-HC-0875-09-3000	40497	8	7/8-9 x 3 Hex Head Capscrew
	F-ETLW-0875	41070	8	7/8" Ext. Tooth Lock Washer
8	F-HC-0500-13-3500	40330	4	1/2-13 x 3-1/2 Hex Head Capscrew
	F-LN-0500-13	40706	4	1/2"-13 Lock Nut
9	F-HC-0375-16-0625	40155	4	3/8-16 x 5/8 Hex Head Capscrew
	F-ITLW-0375	40843	4	3/8" Internal Tooth Lock Washer
10	BH-9701	SVI Exclusive		15" Wide Reach Wheel Spotter
	BH-9702	SVI Exclusive		15" Wide Reach Dual Spotter

* Custom Order By Request. Sample may be needed.



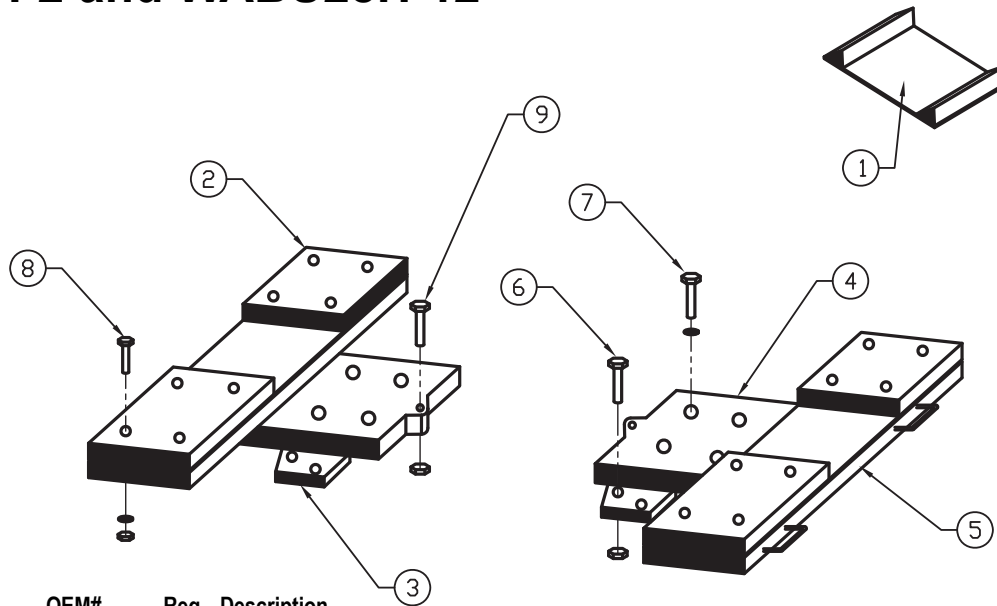
Check out SVI's Height Extensions! We have tons of options.

Item	SVI Part #	OEM#	Description
1	BH-9786-54	T120025	Inner Arm Tube
2	BH-9755-25L	FJ79-6	Adapter Swivel Pin
3	BH-9755-20	FJ671-1	High Step Adapter
	BH-9789-98	FJ697	Rubber Pad Adapter for Flip-Up
4	BH-9755-21	FJ671-2	Low Step Adapter
5	BH-9755-22	FJ671-3	Adapter Pivot Pin
6	BH-9755-26	FJ671-6	Hog Ring Clips
	BH-9755-50	Height Extension	9" Slip-On w/o Rubber Pad
	BH-9755-50B	Height Extension	9" Slip-On W/ Rubber Pad
	BH-9755-50A	Height Extension	11" Slip-On w/o Rubber Pad



Models DTO28H-27 & 28, PT20H-11, RBU68H-2 and WABU28H-12

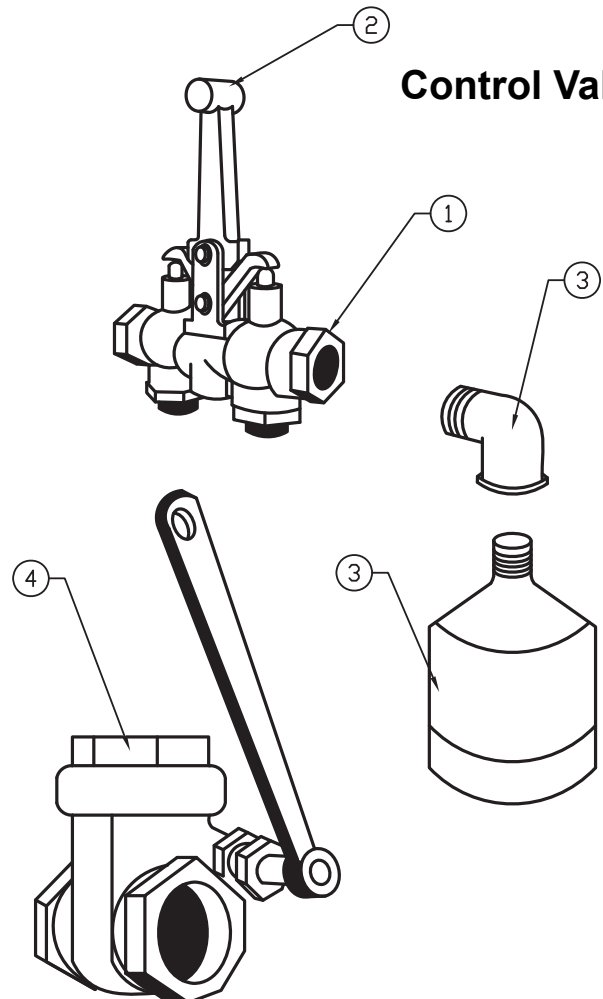
PT20H-11



Item	SVI Part #	OEM#	Req	Description
1	BH-9701	SVI Exclusive		15" Wide Reach Wheel Spotter
	BH-9702	SVI Exclusive		15" Wide Reach Dual Spotter
2	BH-7505-12	FJ2177-2		Rubber Pad
	BH-7505-12K	GP1012		Rubber Pad (Set of 4)
3*	BH-9756-07	FJ2182		Left Bolster
4*	BH-9756-09	FJ2183		Right Bolster
5	BH-9756-24	FJ2193		Pad and Support Assembly
6	F-HC-0500-13-1500	40300	4	1/2-13 x 1-1/2 Hex Head Capscrew
	F-LN-0500-13	40706	4	1/2-13 Lock Nut
7	F-HC-0875-09-2500	40489	8	7/8-9 x 2-1/2 Hex Head Capscrew
	F-ETLW-0875	41070	8	7/8 Ext. Tooth Lock Washer
8	F-HC-0250-20-3500		16	1/4-20 x 3-1/2" Hex Head Bolt
	F-HN-0250-20	40625	16	1/4-20 Hex Nut
	F-LW-0250	40775	16	1/4 Lock Washer
9	F-HC-0375-16-0625	40155	2	3/8-16 x 5/8 Hex Head Capscrew
	F-HN-0375-16	40660	2	3/8-16 Hex Nut

Item	SVI Part #	OEM#	Req	Description
1	FK-303-500	FA376	1	Air Control Valve Non-Locking Semi
	FK-302-500	FA377	1	Air Control Valve Locking Full Hyd.
2	FK-302-04	FA377-1	1	Locking Handle
	FH-303-04	FA376-4	1	Non-Locking Handle
3	BH-9640	FA515	1	1/2" NPT Metal Air Muffler
	Hardware Store		1	Elbow
4	FK-438	Morrison	1	1-1/4" Internal Spring Oil Valve
	FK-238	Morrison	1	1-1/4" External Spring Oil Valve
	FK-848	AY McDonald	1	1-1/4" External Spring Oil Valve
	FK-902	Milwaukee	1	1-1/4" External Spring Oil Valve

Control Valves



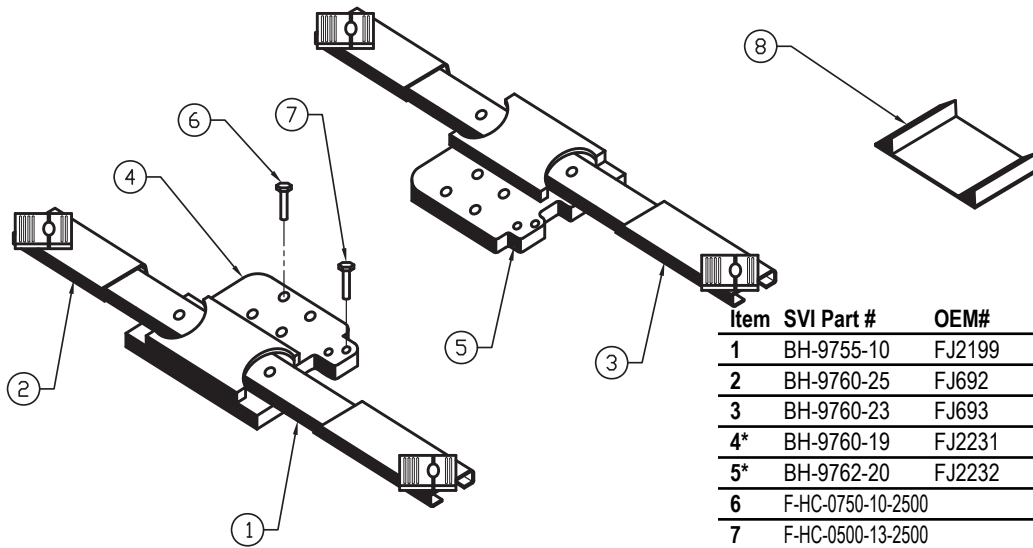
The choice is yours.....

When ordering a new oil valve choose from your favorite make. SVI features all the brands so your preference is covered.

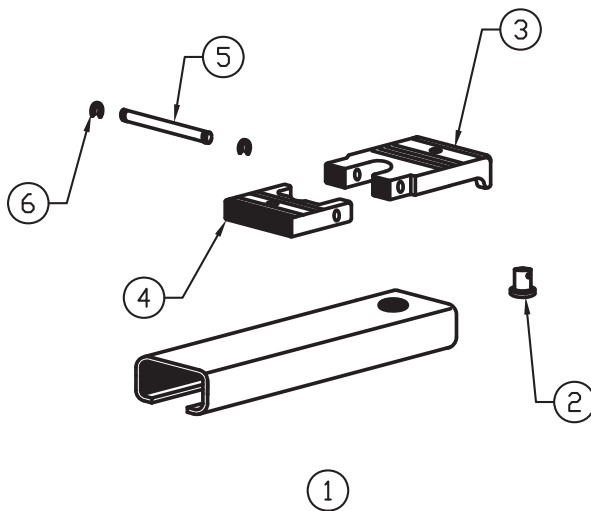
For the largest selection of automotive service equipment professionals turn to SVI.



Model DTO28H MK VI

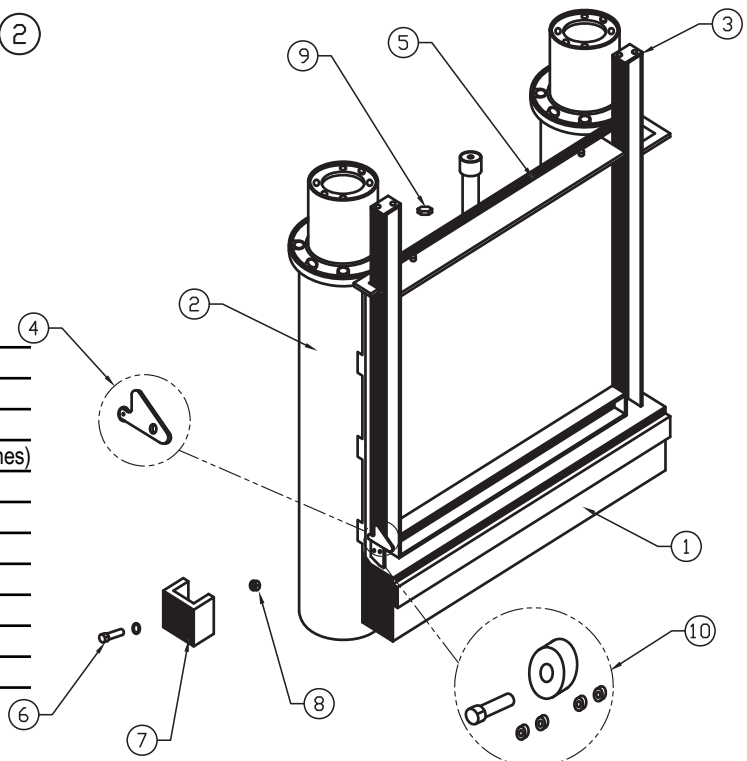


Item	SVI Part #	OEM#	Req	Description
1	BH-9755-10	FJ2199		Arm
2	BH-9760-25	FJ692		Adapter (Front)
3	BH-9760-23	FJ693		Adapter (Rear)
4*	BH-9760-19	FJ2231		Left Hand Yoke
5*	BH-9762-20	FJ2232		Right Hand Yoke
6	F-HC-0750-10-2500		8	3/4-10NC x 2-1/2 HHCS
7	F-HC-0500-13-2500		4	1/2-13NCx2-1/2 HHCS
	F-HN-0500-13			Nut
	F-LW-0500			Lock Washer
8	BH-9701	FF729	1	15" Wide Reach Wheel Spotter
	BH-9702		1	15" Wide Reach Dual Spotter



Item	SVI Part #	OEM#	Req	Description
1	BH-9760-25	FJ692		Sleeve/Adapter Assy. (19" Long)
	BH-9760-23	FJ693		Sleeve/Adapter Assy. (24" Long)
2	BH-9755-25	FJ671-5		Swivel Pin
3	BH-9755-20	FJ671-1		Adapter High Step
	BH-9789-98	FJ697	4	Rubber Pad Adapter for Flip-Up
4	BH-9755-21	FJ671-2		Adapter Low Step
5	BH-9755-22	FJ671-3		Adapter Pin
6	BH-9755-26	FJ671-6		Hog Rings

Item	SVI Part #	OEM#	Req	Description
1	BH-9760-06	FJ38		Equalizer Housing
2	BH-9792-36	JG188		Jack Assembly
3	BH-9760-05	FJ37		Equalizer Frame
4	BH-9760-01	FA279		Replacement Latch Kit (2 Latches)
5	BH-9760-07	FJ38-11		Center Cover
6	F-HC-0312-18-1000		4	5/16-18NCx1" Lg. HHCS
			4	5/16" Plain Washer
7	BH-9760-02	FJ321-5		Slider Block
8	F-HN-0312-18		4	5/16-18NC Hex Nut
9	F-HN-0250-20		2	1/4-20NC Hex Nut
10	BH-9760-03	FJ37-40		Roller Assembly

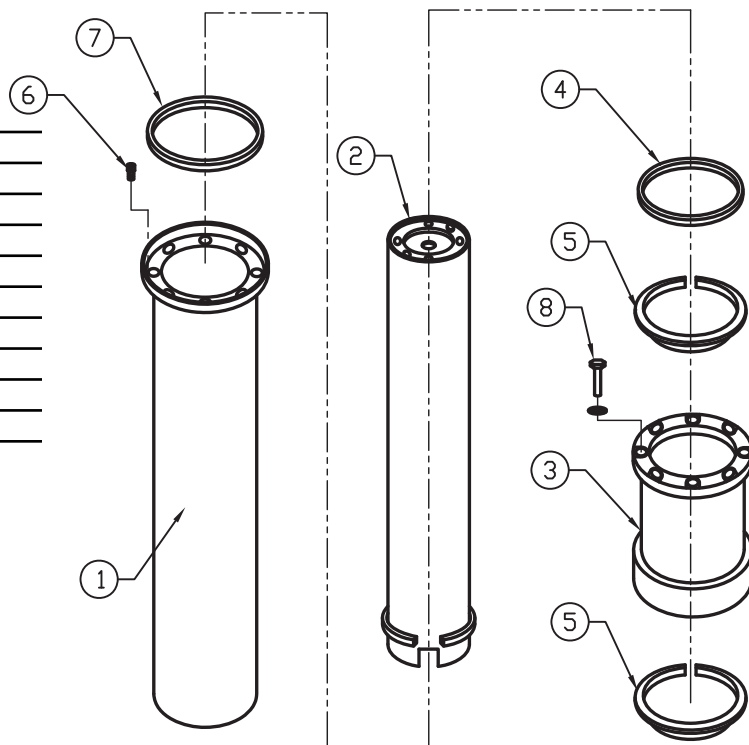
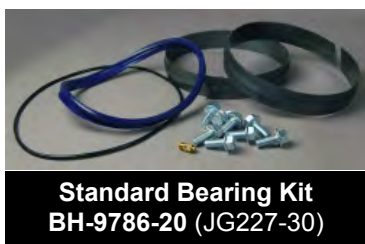


P
a
g
e

146* Custom Order By Request. Sample may be needed.

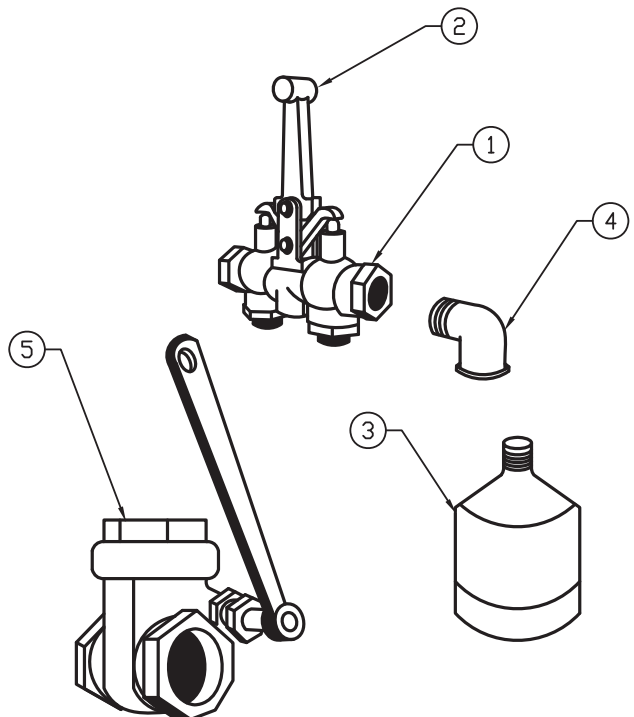
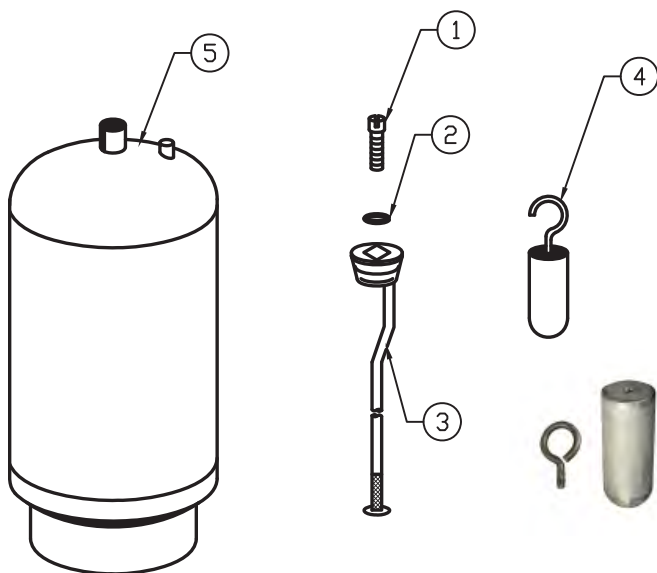
Model DTO28H MK VI

Item	SVI Part #	OEM#	Req	Description
1	n/a	JG766		Casing Assembly
2	BH-9760-12	JG445		Plunger Assembly
3	BH-9761-03	JG512		Guide Assembly
4	BH-9792-56	JG227		Seal
5	BH-9761-04	JG766-6		Jack Bearing
6	FK-60-125	JX207		Bleeder Screw
7	BH-9792-61	JG37		"O" Ring
8	F-HC-0500-13-1250		8	1/2-13NC x1-1/4" Lg. HHCS
	F-ETLW-0500			1/2" Ext. Tooth Lock Washer
KIT	BH-9786-20	JG227-30		Standard Bearing Kit



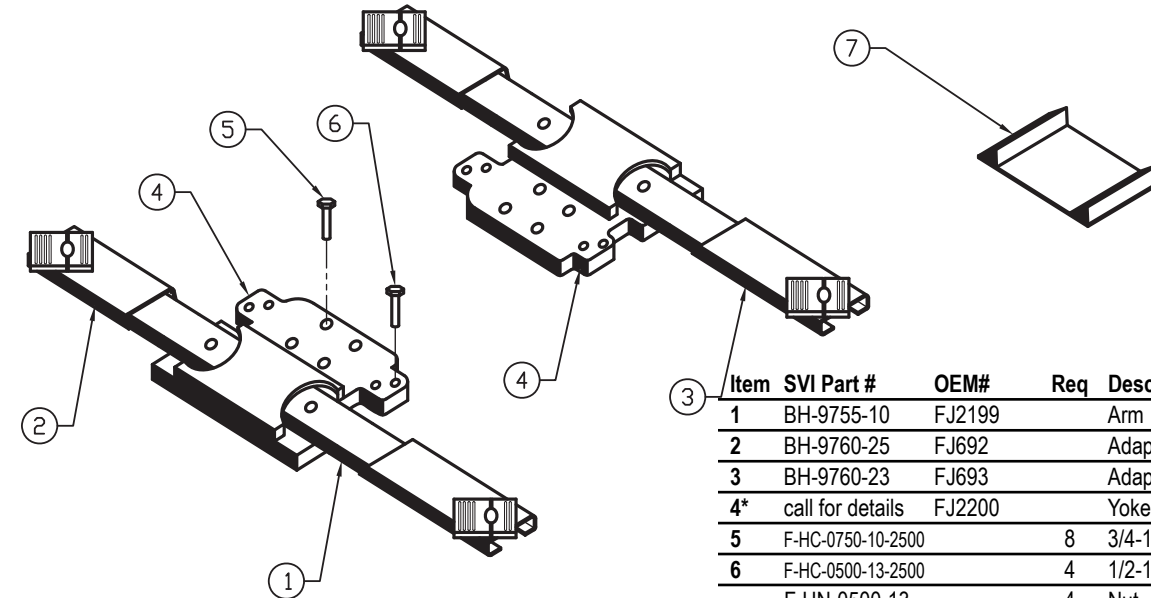
Item	SVI Part #	OEM#	Req	Description
1	BH-9791-02	FA123-11		Vent Screw
2	BH-9791-03	FA123-12		Seal
3	BH-9791-06	FA123-18		Fill Plug/Gauge Assembly
4	BH-9755-11	FA123-8P		Low Oil Control Kit
	BH-9810			Low Oil Float 1/4-20 Threads
	BH-9810-01			Hood for Float 1/4-20 Threads

Item	SVI Part #	OEM#	Req	Description
1	BH-9774-11	FA377		Locking Air Valve
2	BH-9774-09	FA377-1		Locking Lever
3	BH-9773-68	FA515		Muffler
4	call for details			1/2" NPT Street El
5	BH-9773-95	FA369		Hand-Operated Oil Valve



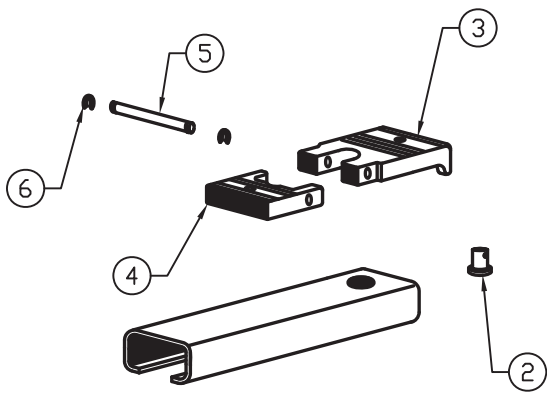


Model DTO28H MK V

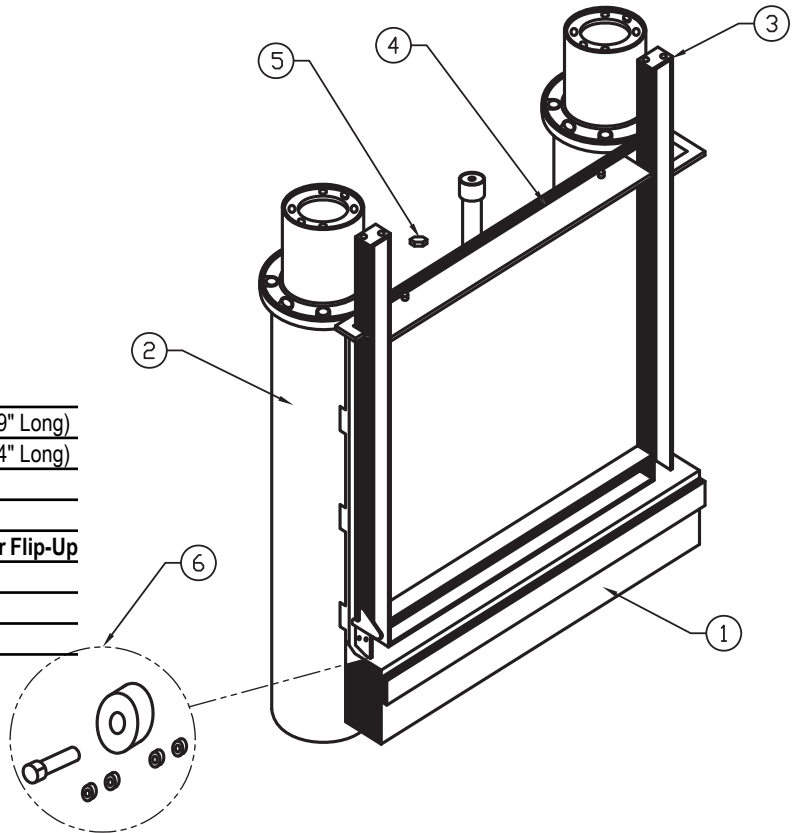


Item	SVI Part #	OEM#	Req	Description
1	BH-9755-10	FJ2199		Arm
2	BH-9760-25	FJ692		Adapter (Front)
3	BH-9760-23	FJ693		Adapter (Rear)
4*	call for details	FJ2200		Yoke
5	F-HC-0750-10-2500		8	3/4-10NCx2-1/2 HHCS
6	F-HC-0500-13-2500		4	1/2-13NC x 2-1/2 HHCS
	F-HN-0500-13		4	Nut
	F-LW-0500		4	Lock Washer

* Custom Order By Request. Sample may be needed.



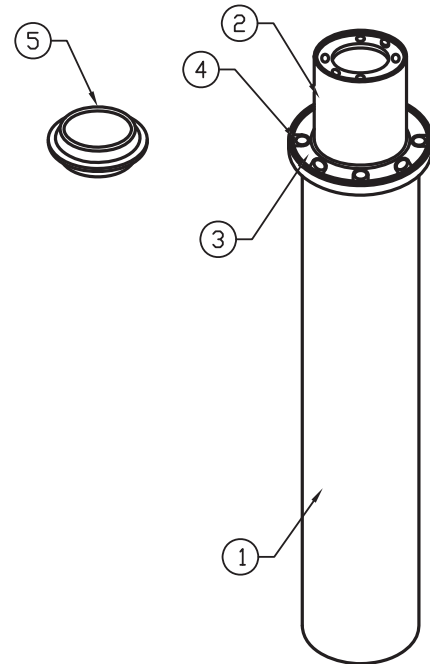
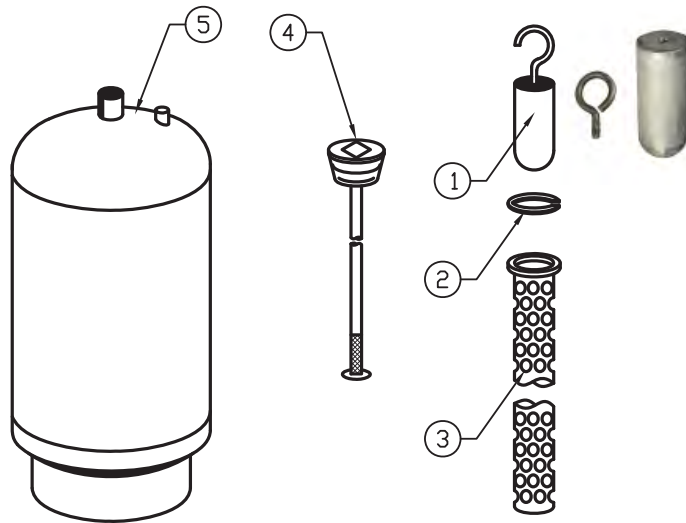
Item	SVI Part #	OEM#	Description
1	BH-9760-25	FJ692	Sleeve/Adapter Assy. (19" Long)
	BH-9760-23	FJ693	Sleeve/Adapter Assy. (24" Long)
2	BH-9755-25	FJ671-5	Swivel Pin
3	BH-9755-20	FJ671-1	Adapter High Step
4	BH-9789-98	FJ697	Rubber Pad Adapter for Flip-Up
4	BH-9755-21	FJ671-2	Adapter Low Step
5	BH-9755-22	FJ671-3	Adapter Pin
6	BH-9755-26	FJ671-6	Hog Ring



Item	SVI Part #	OEM#	Req	Description
1	BH-9760-06	FJ38		Equalizer Housing
2	BH-9792-30	JG163		Jack Assembly
3	BH-9760-05	FJ37		Equalizer Frame
4	BH-9760-07	FJ38-11		Center Cover
5	F-HN-0250-20		2	1/4-20NC Hex Nut
6	BH-9760-03	FJ37-40		Roller Assembly

Model DTO28H MK V

Item	SVI Part #	OEM#	Description
1	BH-9755-11	FA123-8P	Low Oil Control Kit
	BH-9810		Low Oil Float 1/4-20 Threads
	BH-9810-01		Hood for Float 1/4-20 Threads
2	call for details		Lock Ring
3	BH-9791-05	FA123-6	Float Guide
4	BH-9791-11	FA125-1	Oil Plug, Gauge
5	BH-9791-09	FA123	Oil Tank

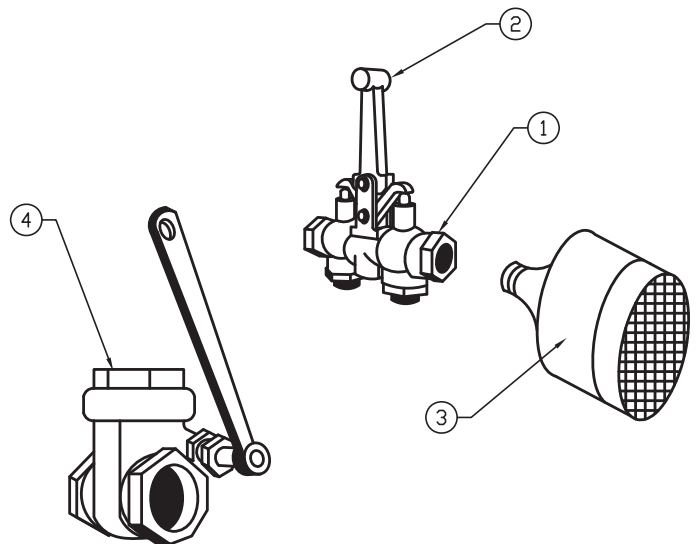


Item	SVI Part #	OEM#	Description
1	BH-9792-75	JG744	Outer Casting
2	BH-9760-11	JG436	Plunger
3	BH-9792-73	JG620	Gland
4	FK-60-125	JX207	Bleeder Plug
5	BH-9792-54	JG220 Kit	Seal

For Newer DTO28 Models

**BH-9769-27 (OEM FA3165)
Air Operated Oil Valve
Replacement**

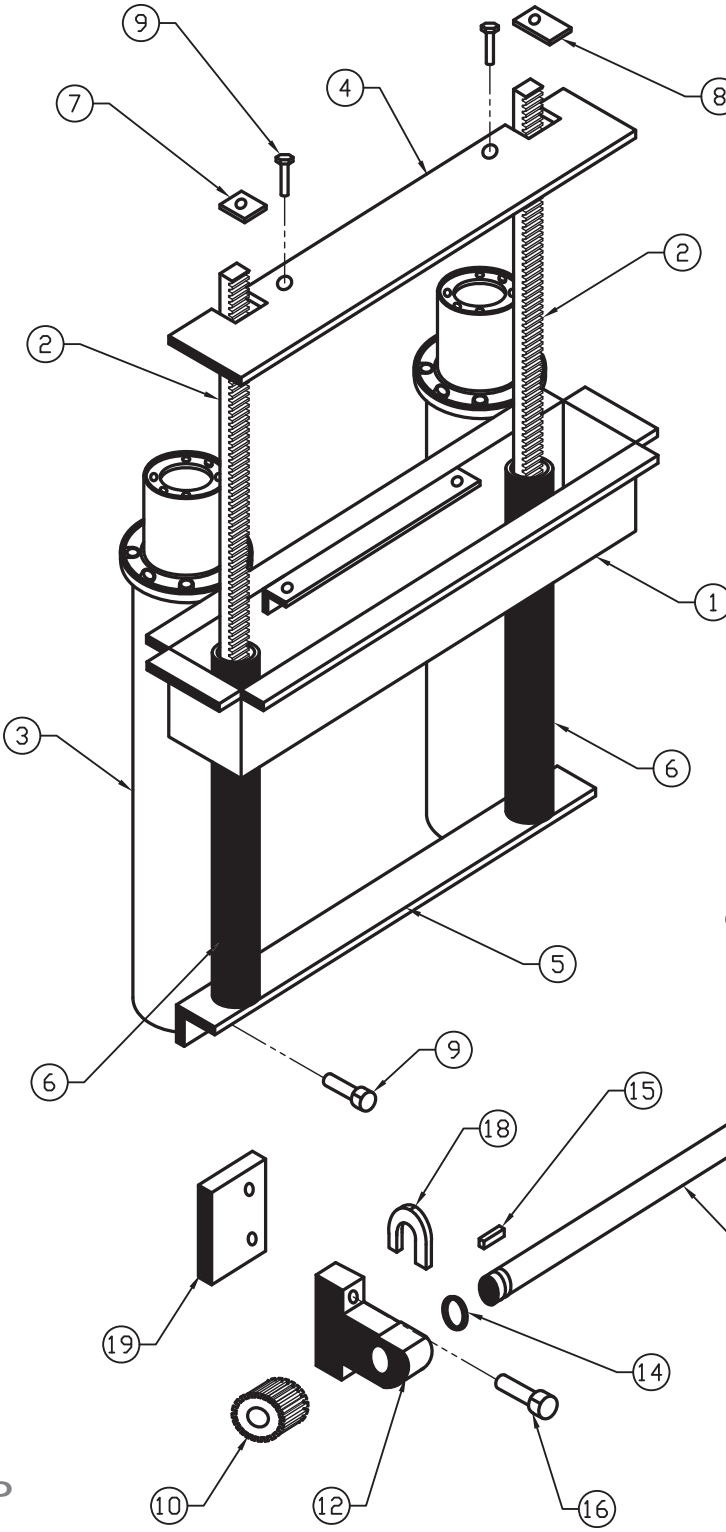
Looking for FA3151?
Use BH-9769-27 (above)



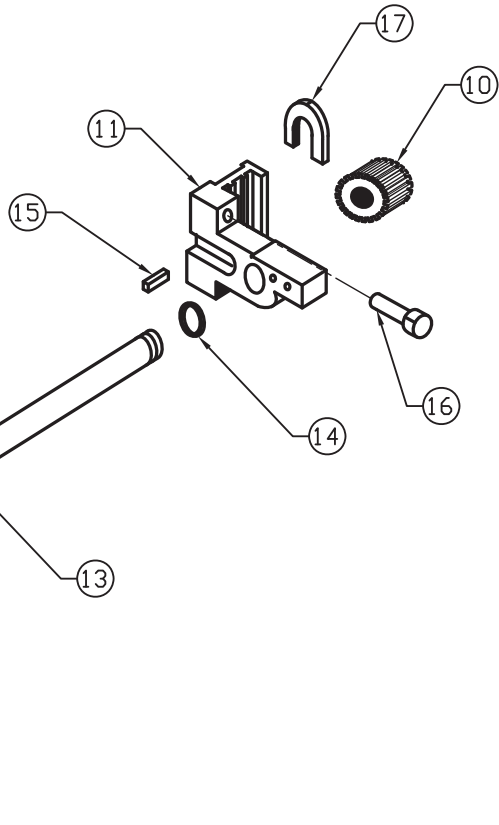
Item	SVI Part #	OEM#	Req	Description
1	BH-9774-11	FA377		Locking Air Valve
2	BH-9774-09	FA377-1		Lever
3	BH-9773-68	FA515		Muffler
4	BH-9773-95	FA369		1-1/4" Hand Operated Oil Valve



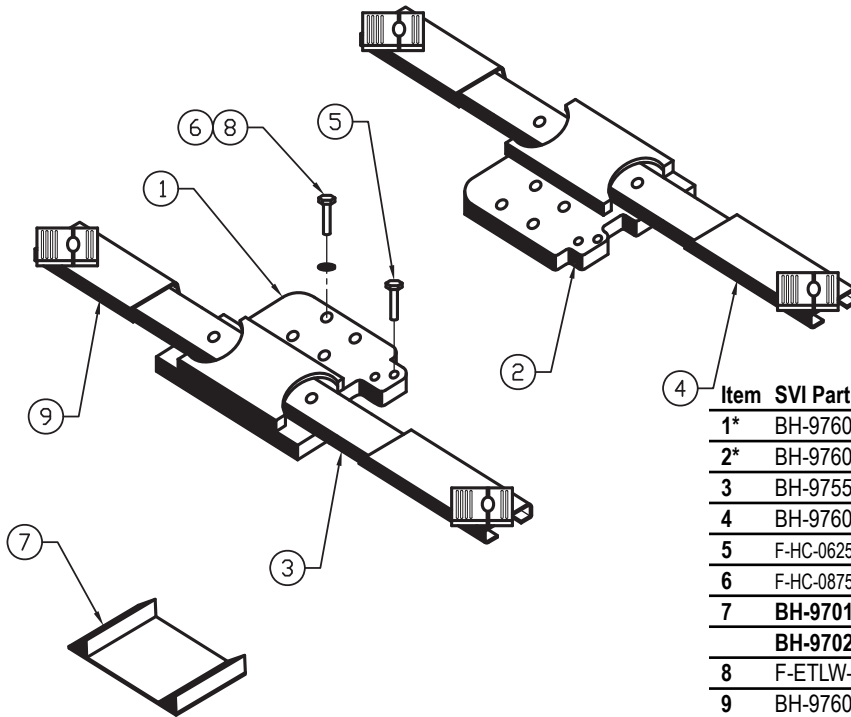
Model DTRP28H



Item	SVI Part #	OEM#	Req	Description
1	BH-9760-83	FJ323-14		Trench Box
2	BH-9760-79	FJ323-11		Equalizer Rack-Coated
3	BH-9792-09	JG1103		Cylinder 68" - Fiberglassed
4	BH-9760-15	FJ323-15		Cover Plate
5	BH-9760-89	FJ326-1		Angle Assembly
6	BH-9761-09	FJ323-8		Guide Tube
7	BH-9760-80	FJ323-12		Spacer
8	BH-9760-81	FJ323-13		Latch Trip
9	F-HC-0500-13-1000		4	1/2-13NC x 1" Lg. Hex Cap Screw
10	BH-9761-47	FJ330-3		Gear
11	BH-9761-42	FJ329		Locking Latch Assembly
	BH-9614-10K			Lift Lock Rebuild Kit
12	BH-9761-46	FJ330-2		Pillow Block
13	BH-9755-38	FJ330-8		Equalizer Shaft
14	call for details	FJ330-7		Snap Ring
15	BH-9761-50	FJ330-6		Sprocket Key 1/4"x1/4" x 1-1/2" Lg.
16	F-HC-0500-13-3000		4	1/2-13NC x 3" Lg. Hex Cap Screw
17	call for details	FJ330-13		Spacer (Thin)
18	BH-9761-45	FJ330-14		Spacer (Thin)
19	BH-9761-48	FJ330-4		Block

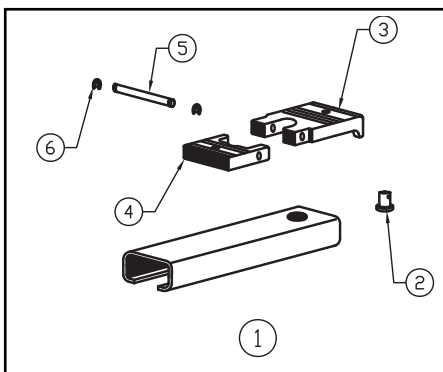


Model DTRP28H

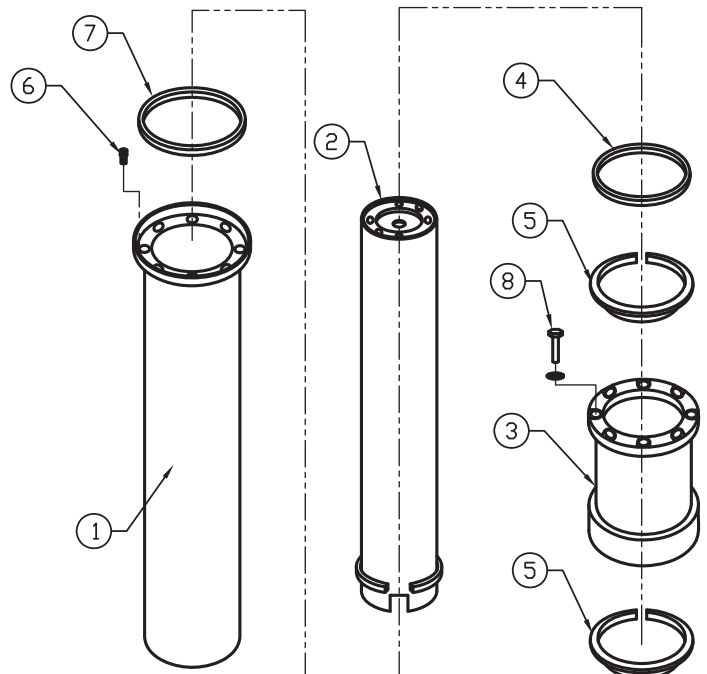


Item	SVI Part #	OEM#	Req	Description
1*	BH-9760-64	FJ2286		Left Hand Yoke
2*	BH-9760-65	FJ2287		Right Hand Yoke
3	BH-9755-10	FJ2199		Swivel Arm
4	BH-9760-23	FJ692		Swivel/Adapter Assy. (19" Long)
5	F-HC-0625-11-2500		2	5/8-11NCx2-1/2" LG. Hex Cap Screw
6	F-HC-0875-09-2500		8	7/8-9NCx2-1/2" Lg. Hex Cap Screw
7	BH-9701	FF729	1	15" Wide Reach Wheel Spotter
	BH-9702		1	15" Wide Reach Dual Spotter
8	F-ETLW-0875		8	7/8" External Tooth Lock Washer
9	BH-9760-25	FJ693		Swivel/Adapter Assy. (24" Long)

* Custom Order By Request. Sample may be needed.



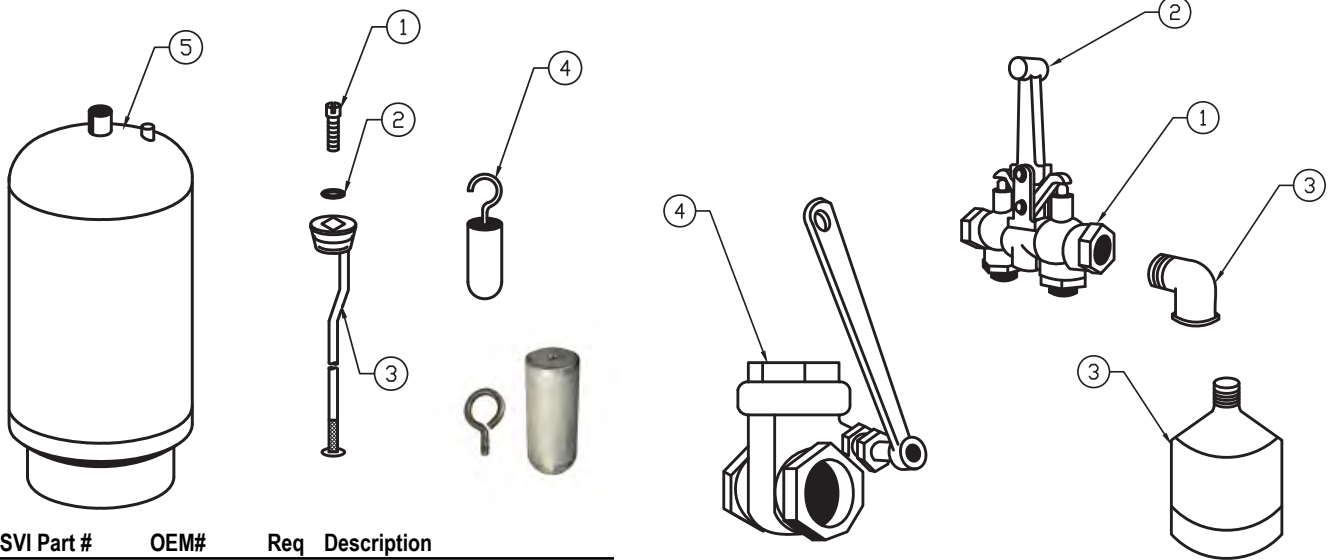
Item	SVI Part #	OEM#	Req	Description
1	BH-9760-23	FJ692		Swivel/Adapter Assy. (19" Long)
	BH-9760-25	FJ693		Swivel/Adapter Assy. (24" Long)
2	BH-9755-25	FJ671-5		Swivel Pin
3	BH-9755-20	FJ671-1		Adapter High Step
	BH-9789-98	FJ697	4	Rubber Pad Adapter for Flip-Up
4	BH-9755-21	FJ671-2		Adapter Low Step
5	BH-9755-22	FJ671-3		Adapter Pin
6	BH-9755-26	FJ671-6		Hog Ring Clips



Item	SVI Part #	OEM#	Req	Description
1	n/a	JG772		Casing Assembly
2	BH-9761-18	JG446		Plunger Assembly (6-Hole)
3	BH-9761-03	JG512		Guide Assembly
4	BH-9792-56	JG227Kit		Seal
5	BH-9761-33	JG766-9		Jack Bearing
6	FK-60-125	JX207		Bleeder Screw
7	BH-9792-61	JG37		"O" Ring
8	F-HC-0500-13-1250		8	1/2-13NC x 1-1/4" Lg. HHCS
	F-ETLW-0500		8	1/2" Ext. Tooth LW



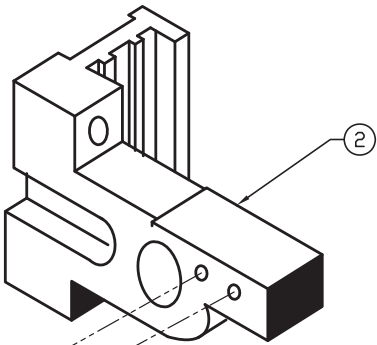
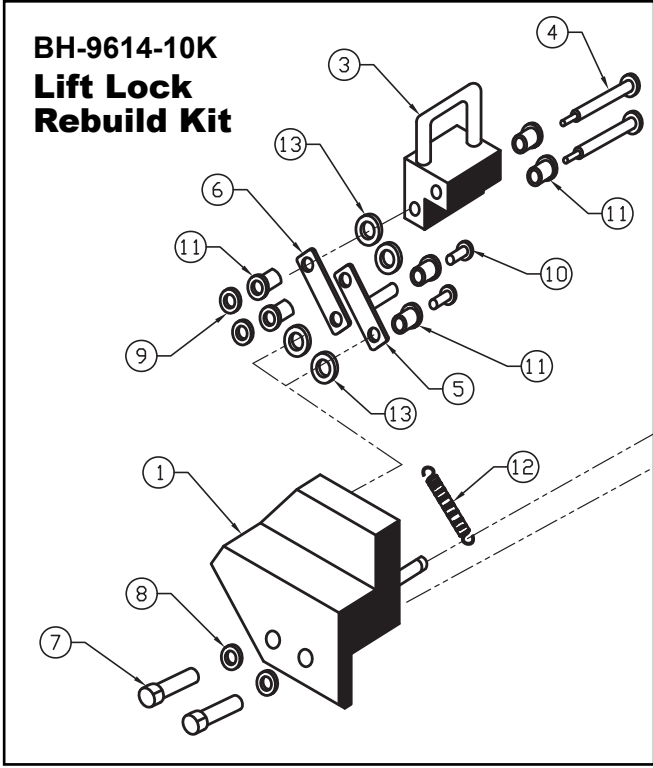
Model DTRP28H



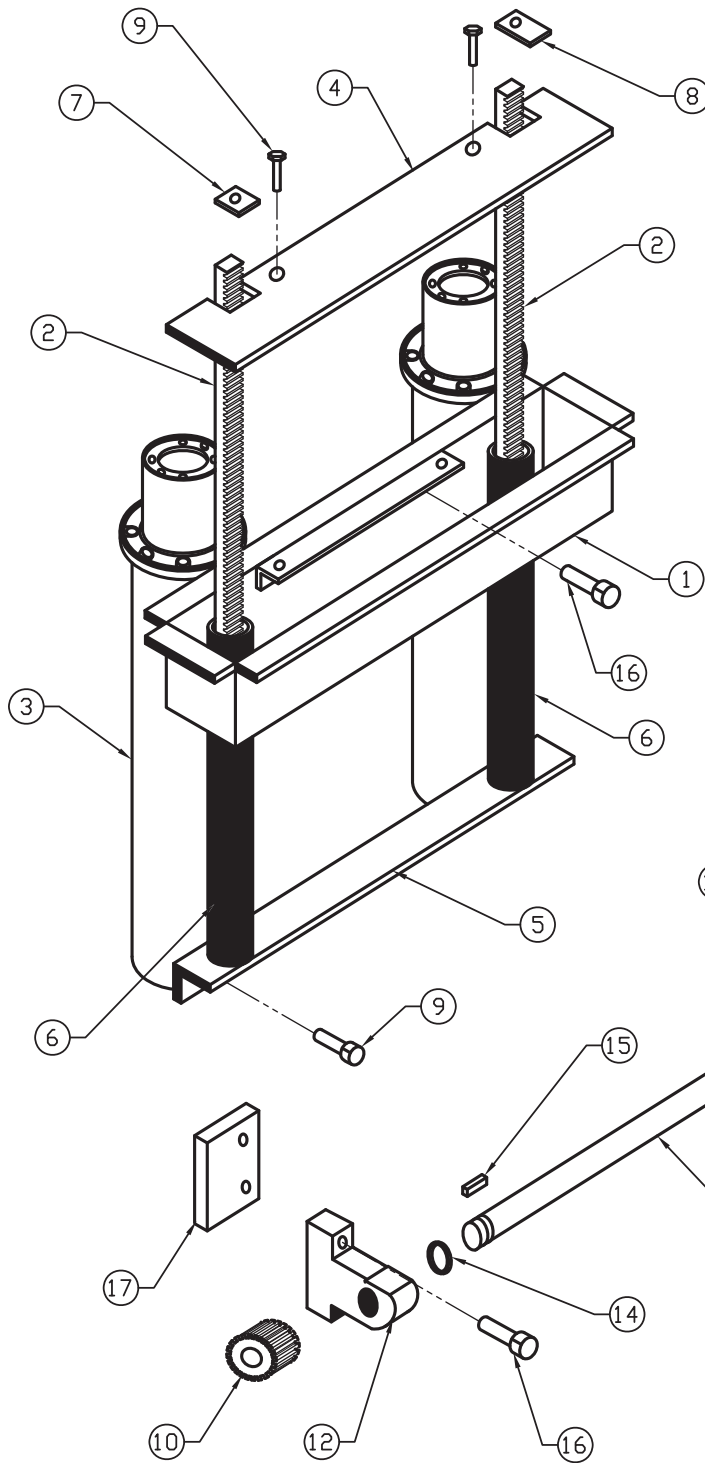
Item	SVI Part #	OEM#	Req	Description
1	BH-9791-02	FA123-11		Vent Screw
2	BH-9791-03	FA123-12		Seal
3	BH-9791-06	FA123-18		Fill Plug/Gauge Assembly
4	BH-9755-11	FA123-8P		Low Oil Control Kit
	BH-9810			Low Oil Float 1/4-20 Threads
	BH-9810-01			Hood for Float 1/4-20 Threads

Item	SVI Part #	OEM#	Req	Description
1	BH-9774-11	FA377		Locking Air Valve
2	BH-9774-09	FA377-1		Locking Lever
3	BH-9773-68	FA515		Muffer (Includes 1/2" Street Elbow)
4	BH-9773-95	FA369		Oil Valve Parts

Lift Lock Assembly - BH-9761-42 Lift Lock Rebuild Kit - BH-9614-10K

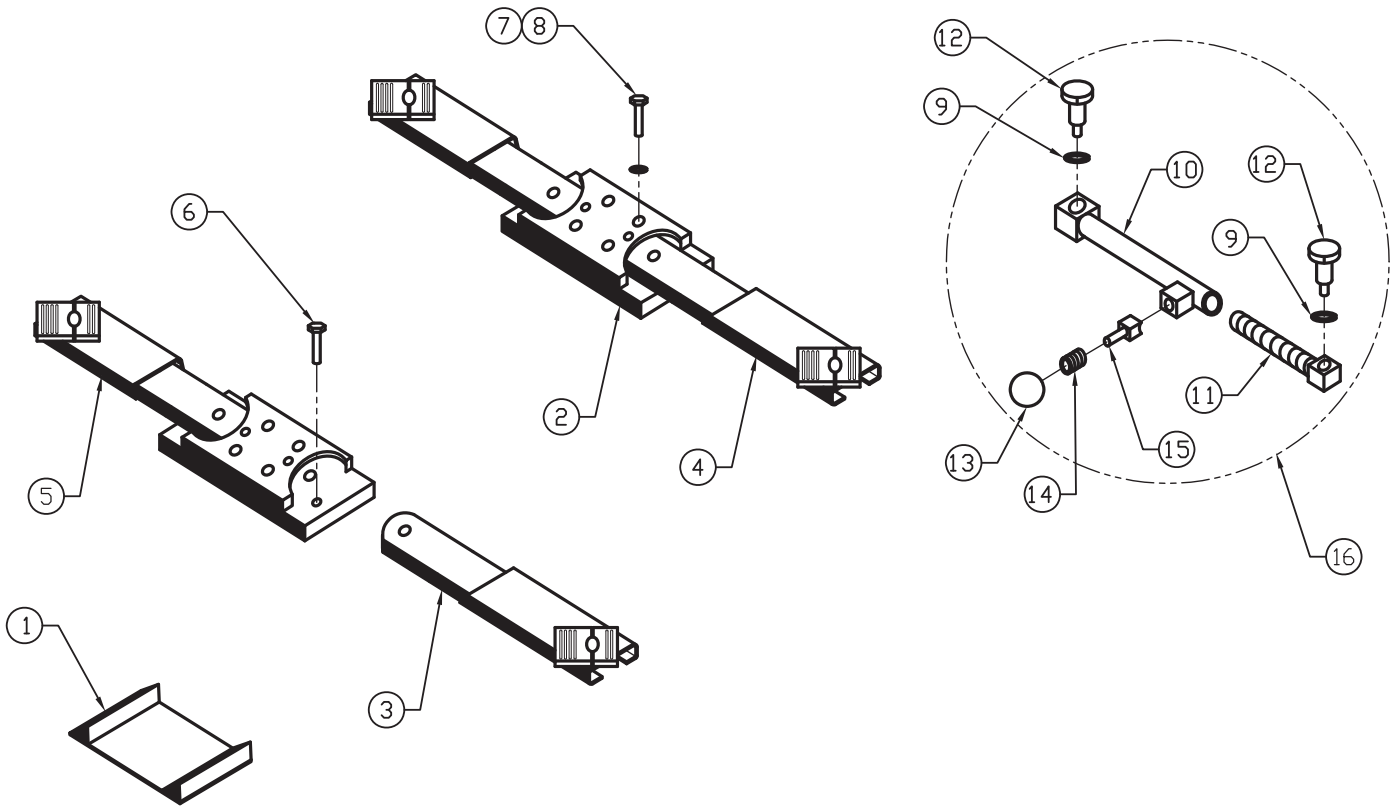


Model WRP90



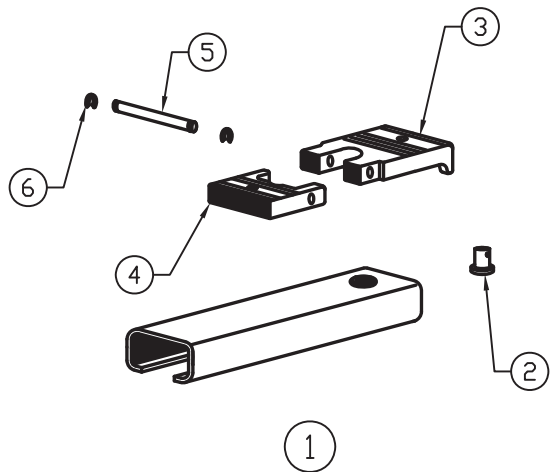
Item	SVI Part #	OEM#	Req	Description
1	BH-9761-43	FJ330-1		Trench Box
2	BH-9760-79	FJ323-11		Rack
3	call for details	JG1102		Jack Assembly
4	call for details	FJ327-3		Cover Plate
5	BH-9761-13	FJ327		Angle
6	BH-9761-09	FJ323-8		Tube
7	BH-9760-80	FJ323-12		Spacer
8	BH-9760-81	FJ323-13		Latch Trip
9	F-HC-0500-13-1000		4	1/2-13NC Hex Cap Screw x 1" Lg.
10	BH-9761-47	FJ330-3		Gear
11	BH-9761-42	FJ329		Locking Latch Assembly
	BH-9614-10K			Lift Lock Rebuild Kit
12	BH-9761-46	FJ330-2		Pillow Block
13	BH-9761-49	FJ330-5		Shaft
14	call for details	FJ330-7		Snap Ring
15	BH-9766-84	FD70-12		Sprocket Key 1/4" x 1-1/2" Lg.
16	F-HC-0500-13-3000		4	1/2-13NC Hex Cap Screw x 3" Lg.,
	F-LW-0500		4	1/2 Lock Washer
	F-HN-0500-13			1/2-13 Hex Nut
17	BH-9761-48	FJ330-4		Block

Model WRP90



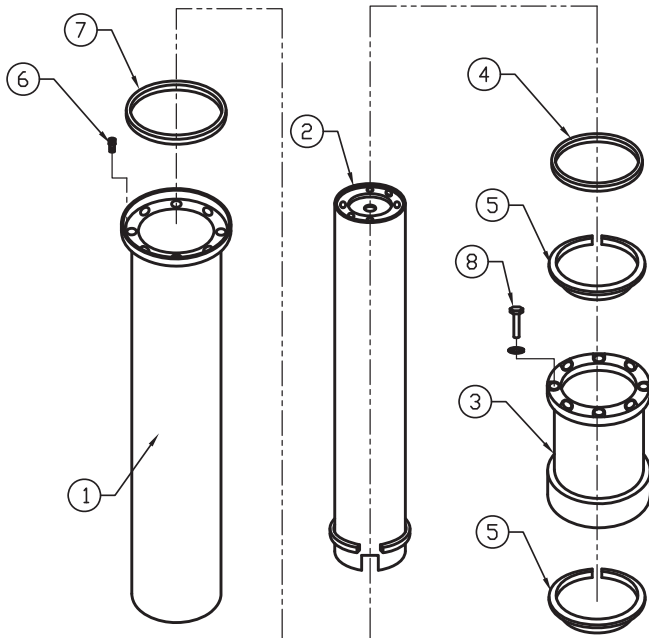
Item	SVI Part #	OEM#	Req	Description
1	BH-9701	FF729	1	15" Wide Reach Wheel Spotter
	BH-9702		1	15" Wide Reach Dual Spotter
2*	BH-9760-61	FJ2285		Yoke
3*	BH-9760-40	FJ2249		Swivel Arm
4	BH-9755-32	FJ6103		Rear Swivel Adapter
5	BH-9755-31	FJ6102		Front Swivel Adapter
6	F-HC-0625-11-2500		2	5/8-11NCx2-1/2" Lg. Head Cap Screw
7	F-HC-0875-09-2500		8	7/8-9NCx2-1/2" Lg. Hex Cap Screw
8	F-ELTW-0875		8	7/8" External Tooth Lock Washer
9	call for details	FJ5277-20		Washer
10	BH-7534-79	FJ7506-1		Outer Tube
11	BH-7534-80	FJ7506-3		Rod
12	call for details	FC5277-11		Shoulder Bolt
13	BH-7503-45	FC134-91		Ball Handle
14	BH-7503-46	FC134-89		Arm Restraint Spring
15	call for details	FJ2333-25		Plunger
16	call for details	FJ4506		Arm Restraint Kit (4 complete Arm Restraints). Items 9-15 (x4)

* Custom Order By Request. Sample may be needed.

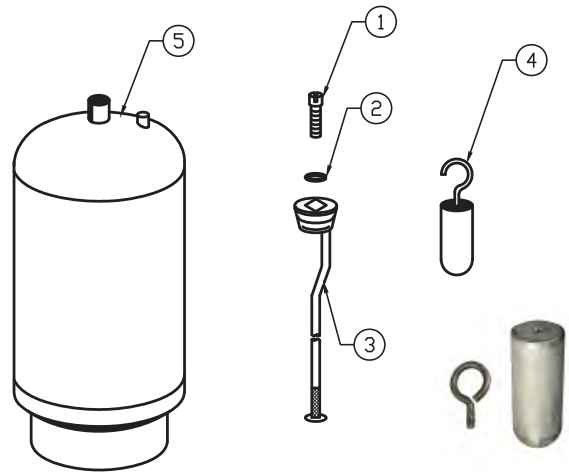


Item	SVI Part #	OEM#	Req	Description
1	BH-9755-31	FJ6102		Sleeve/Adapter Assy. (21" Long)
	BH-9755-32	FJ6103		Sleeve/Adapter Assy. (26" Long)
2	BH-9755-25	FJ671-5		Swivel Pin
3	BH-9755-20	FJ671-1		Adapter High Step
	BH-9789-98	FJ697	4	Rubber Pad Adapter for Flip-Up
4	BH-9755-21	FJ671-2		Adapter Low Step
5	BH-9755-22	FJ671-3		Adapter Pin
6	BH-9755-26	FJ671-6		Hog Ring Clips

Model WRP90



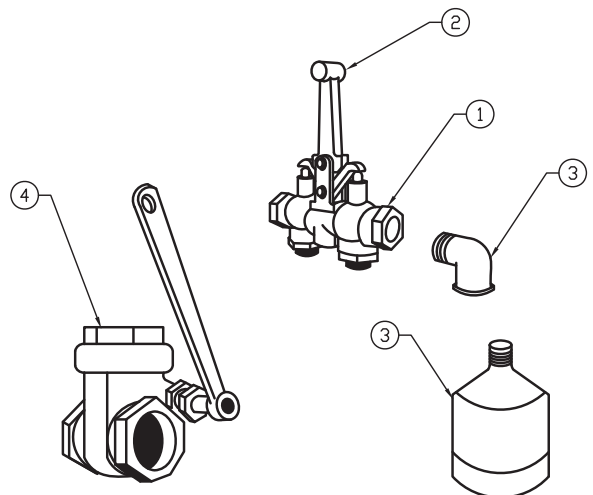
Item	SVI Part #	OEM#	Req	Description
1	n/a	JG772		Casing Assembly
2	BH-9761-29	JG446		Plunger Assembly (6 Hole)
3	BH-9761-03	JG512		Guide Assembly
4	BH-9792-56	JG227		Seal
5	BH-9761-33	JG766-9		Jack Bearing
6	FK-60-125	JX207		Bleeder Screw
7	BH-9792-61	JG37		"O" Ring
8	F-HC-0500-13-1250 F-ETLW-0500		8	1/2-13NC HHCS Gr. 8 x 1-1/4" Lg. 1/2" Ext. Tooth LW



Item	SVI Part #	OEM#	Req	Description
1	BH-9791-02	FA123-11		Vent Screw
2	BH-9791-03	FA123-12		Seal
3	call for details	FA123-16		Fill Plug/Gauge Assembly
4	BH-9755-11	FA123-8P		Low Oil Control Kit
	BH-9810			Low Oil Float 1/4-20 Threads
	BH-9810-01			Hood for Float 1/4-20 Threads
5	BH-9790-94	FA134		Tank

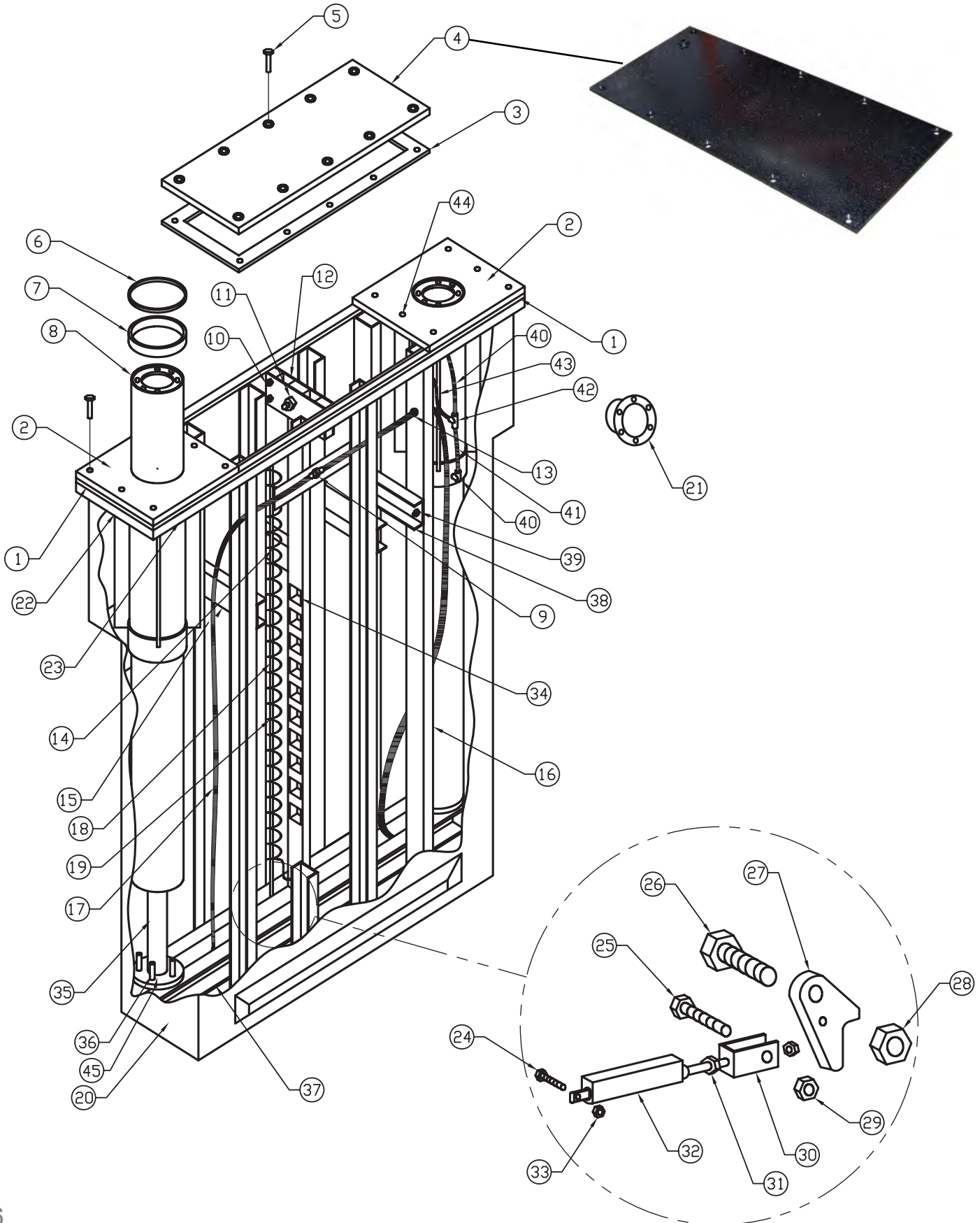
BH-9614-10K
Lift Lock Rebuild Kit

Lift Lock Assembly - BH-9761-42
Lift Lock Rebuild Kit - BH-9614-10K



Item	SVI Part #	OEM#	Req	Description
1	BH-9774-11	FA377		Locking Air Valve
2	BH-9774-09	FA377-1		Locking Lever
3	BH-9773-68	FA515		Muffler (Includes 1/2" Street Elbow)
4	BH-9773-95	FA369		Oil Valve

Models SL29, SL29-RA and SL29-BU





Models SL29, SL29-RA and SL29-BU

Item	SVI Part #	OEM#	Description
1	BH-9786-32	T140106	End Gasket
2	call for details	T110071	Guide Assembly
3	BH-9786-14	T140105	Center Gasket
4	BH-9785-68	T120055	Cover Plate
5	call for details	40268	1/2-13NCx2 Self Tap Flange Head Screw
6	BH-9786-16	T140076	Wiper
7	BH-9786-21	T140085	Bearing
	BH-9786-19	T140147	Bearing
8	BH-9784-26	T120099	Plunger
9	BH-9785-87	T140010	Bulkhead Union "T" Adapter
10	F-HC-0500-13-2500	40330	1/2-13NC x 2-1/2 HHCS
	F-HN-0500-13	40680	1/2-13NC Hex Nut
	F-ETLW-0500	40880	1/2" External Tooth Lockwasher
11	F-HC-0875-09-2500	40497	7/8-9NC x 2-1/2 HHCS
	F-HN-0875-09	40765	7/8-9NC Hex Nut
	F-ETLW-0875	41070	7/8" External Tooth Lockwasher
12	BH-9785-74	T130003	Latch Bar Plate
13	call for details	T120002	Grommet
14	F-JN-0250-20	40640	1/4-20NC Hex Jam Nut
15	BH-9780-79	T120121	Air Coil Rod Bracket Assembly
16	call for details	T120180	Frame
17	BH-9786-31	T140100	Hydraulic Oil Hose
18	BH-9784-32	T130260	Air Coil Hose Rod
19	BH-9784-98	T140096	Recoil Hose 3/16"
20	BH-9785-77	T130016	Containment Tube
21	BH-9785-95	T140023	Uniseal
22	BH-9785-52	T120038	Concrete Anchor Frame (end section)

Item	SVI Part #	OEM#	Description
23	BH-9785-64	T120070	Concrete Anchor Frame (side section)
24	F-HC-0250-20-1250	40115	1/4-20NCx1-1/4 HHCS
25	F-HC-0250-20-1500	40110	1/4-20NCx1-1/2 HHCS
26	F-HC-0750-10-5000	40456	3/4-10NCx5 HHCS
27	BH-9785-76	T130015	Locking Latch
28	F-NL-0750-10	40790	3/4-10NC Nylon Insert Locknut
29	F-NL-0250-20	40642	1/4-20NC Nylon Insert Locknut
30	BH-9785-75	T130014	Clevis
31	F-HN-0250-28	40648	1/4-28NF Hex Nut
32	BH-9786-10	T140062	Air Cylinder Kit
33	F-NL-0250-20	40642	1/4-20NC Nylon Insert Locknut
34	call for details	T130270	Latch Bar
35	BH-7545-15	N342	Hydraulic Cylinder
	call for details		Bleeder Screw (specify manufacturer)
36	F-SC-0500-13-2500	40313	1/2-13NCx2-1/2 Socket Head Cap Screw
	F-LW-0500	40915	1/2" Helical Spring Lockwasher Plated
37	call for details	T120177	Equalizer
38	call for details	T130005	Short Tie Channel
39	F-HC-0500-13-1000	40261	1/2-13NCx1 HHCS
	F-HN-0500-13	40680	1/2-13NC Hex Nut
	F-ETLW-0500	40880	1/2" External Tooth Lockwasher Plated
40	BH-7514-13	FA3134-6	Male Elbow Connector
41	BH-9785-84	T130189	1/4" Nylon Tube 9-1/2" Long
42	BH-7526-88	FC5225-46	Union Tee
43	BH-9786-41	T130191	1/4" Nylon Tube 11-1/8" Long
44	BH-7526-89	FC5225-47	Male Connector
	BH-9785-86	T140007	Grease/Zerk Fitting
45	BH-9786-46	T130382ML	Load Pad

SVI RECOMMENDS:

For use on cassette and pit style in-ground lifts.



- Protects your investment.
- Removes water.
- Works automatically.
- Air operated.
- Eliminates routine periodic pump out maintenance.
- An SVI lift industry solution.

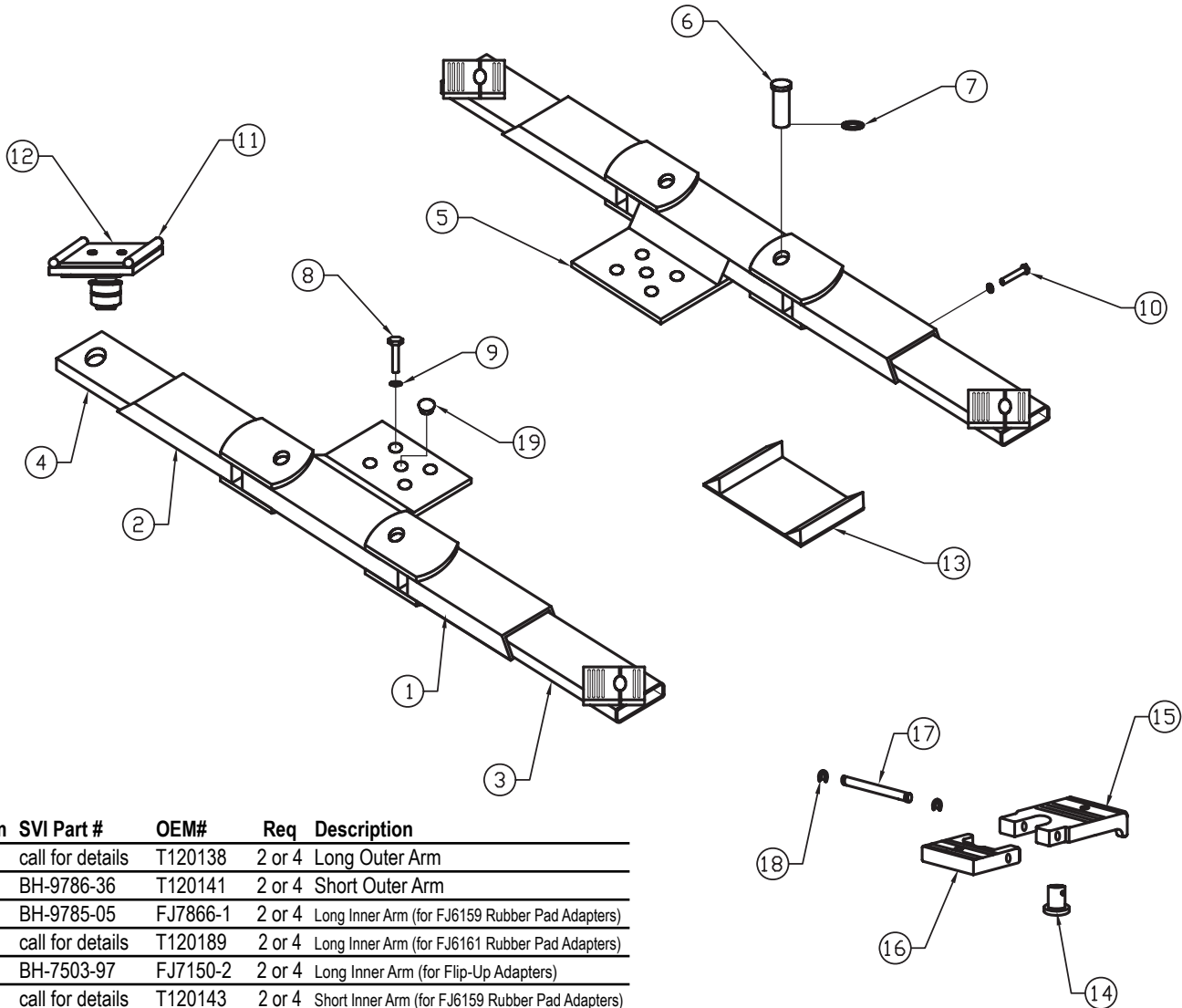
BH-9786-25 • BH-9786-25-5



**BH-9786-46
Load Pad**



Models SL29, SL29-RA and SL29-BU

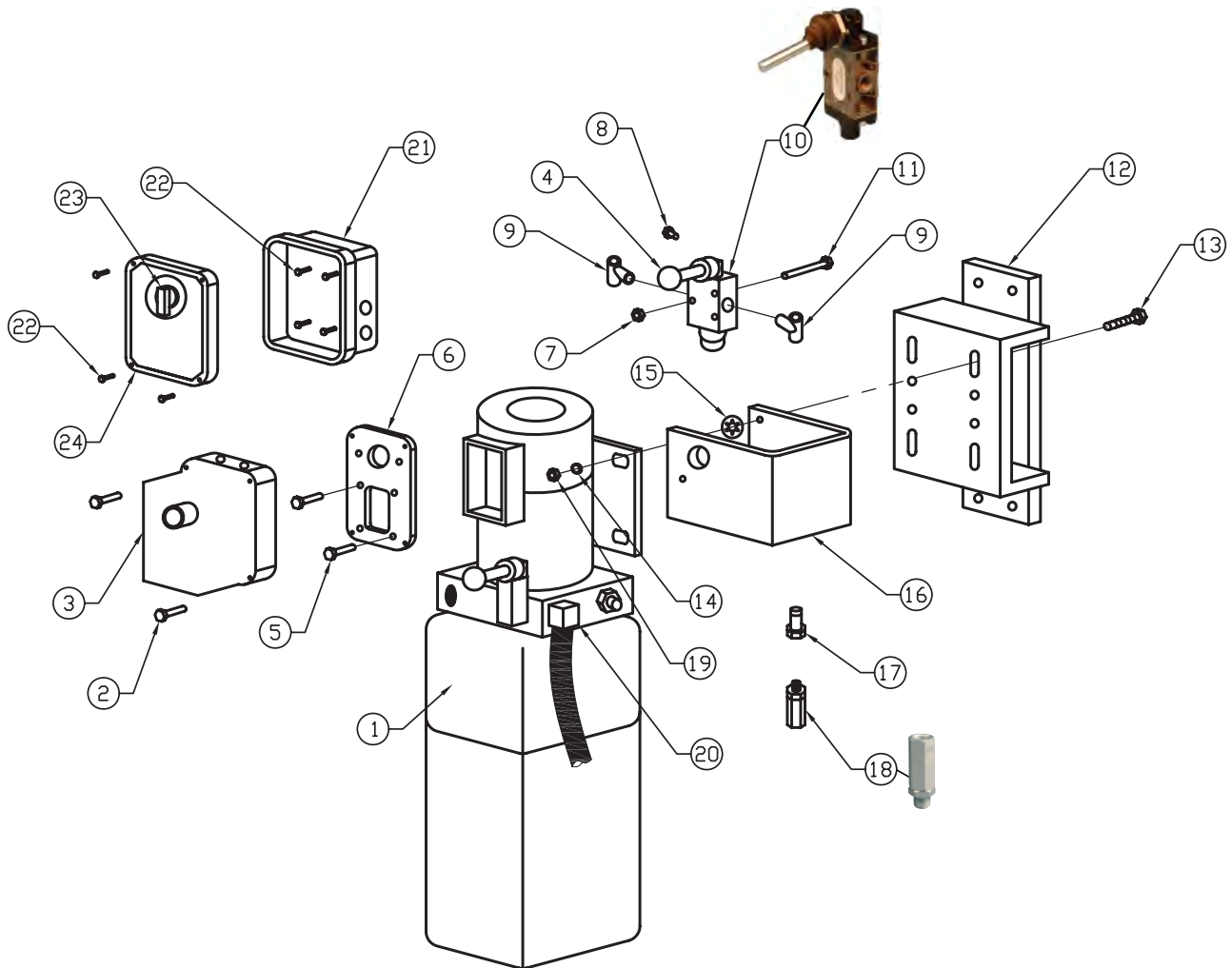


Item	SVI Part #	OEM#	Req	Description
1	call for details	T120138	2 or 4	Long Outer Arm
2*	BH-9786-36	T120141	2 or 4	Short Outer Arm
3*	BH-9785-05	FJ7866-1	2 or 4	Long Inner Arm (for FJ6159 Rubber Pad Adapters)
	call for details	T120189	2 or 4	Long Inner Arm (for FJ6161 Rubber Pad Adapters)
	BH-7503-97	FJ7150-2	2 or 4	Long Inner Arm (for Flip-Up Adapters)
4*	call for details	T120143	2 or 4	Short Inner Arm (for FJ6159 Rubber Pad Adapters)
	call for details	T120188	2 or 4	Short Inner Arm (for FJ6161 Rubber Pad Adapters)
	BH-9786-37	T120142	2 or 4	Short Inner Arm (for Flip-Up Adapters)
5*	call for details	T120098	2	Yoke
6	BH-9786-38	T140114	4	Arm Pin
7	call for details	T140115	4	Rotor Clip
8	F-HC-0750-10-3000	40470	8	3/4-10NCx3 HHCS
9	F-ETLW-0750	40995	8	3/4" External Tooth Lockwasher
10	F-HC-0375-16-0625	40155	4	3/8-16NCx5/8 HHCS
11	BH-7500-91	FJ6159	4	Adapter Assembly
12	BH-7536-92P	FJ6158-4	4	Rubber Pad
13	BH-9701	FF729	1	15" Wide Reach Wheel Spotter
	BH-9702		1	15" Wide Reach Dual Spotter
14	BH-9755-25L	FJ79-6	4	Adapter Swivel Pin
15	BH-9755-20	FJ671-1	4	High Step Adapter
	BH-9789-98	FJ697	4	Rubber Pad Adapter for Flip-Up
16	BH-9755-21	FJ671-2	4	Low Step Adapter
17	BH-9755-22	FJ671-3	4	Adapter Pin
18	BH-9755-26	FJ671-6	8	3/32" Hog Ring for 1/2" Shaft
19	call for details	T140014	2	Plug Button

P
a
g
e

* Custom Order By Request. Sample may be needed.

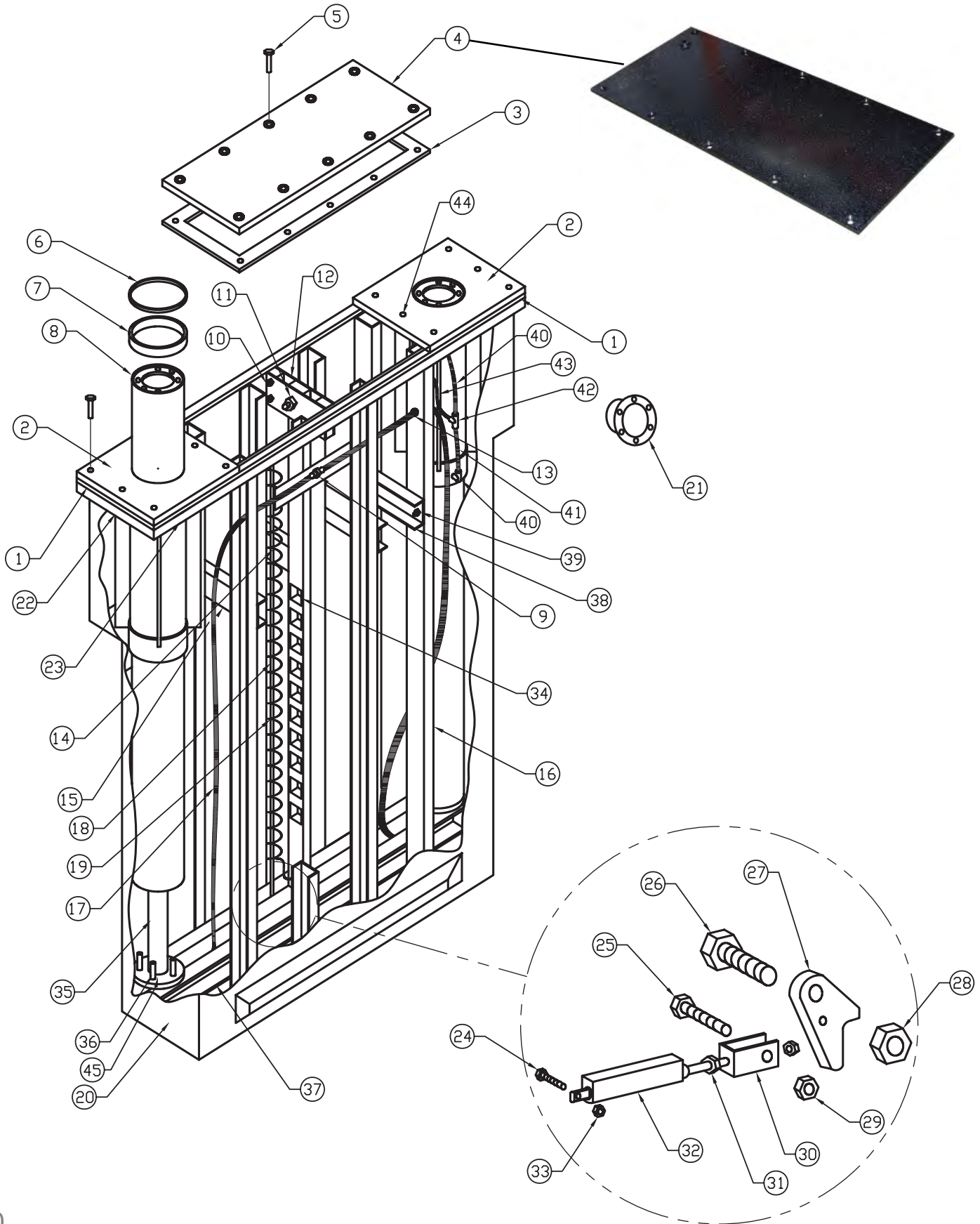
Models SL29, SL29-RA and SL29-BU



Item	SVI Part #	OEM#	Req	Description
1	BH-7006A-15	P1352		Power Unit - Single Phase
	call for details	P1353		Power Unit - Three Phase
2	call for details	FA7152-2		#8-32NCx1/2 Self Tapping Pan Head MS
3	BH-7543-70	FA7162		Control Panel- 3 Phase 208V/60Hz.
	BH-7543-71	FA7163		Control Panel- 3 Phase 230V/60Hz.
	call for details	FA7164		Ctrl. Panel-3Phase460-480C/60Hz. or 380-415V/50Hz.
4	BH-9786-29	T140119		Air Lock Valve Handle
5	call for details	FA7152-1		M5 x .8x8mm Flat Head MS
6	BH-7543-69	FA7132-2		Control Panel Adapter Plate
7	F-NL-0008-32	40649		#8-32NC Nylon Insert Lock Nut
8	BH-9784-41	T140075		Brass Filter
9	BH-7544-14	T140074		Swivel Elbow
10	BH-9786-15	T140073		Air Lock Valve
11	F-HC-0008-32-1500	40007		#8-32NCx1-1/2 HHCS

Item	SVI Part #	OEM#	Req	Description
12	BH-9785-45	T120020		Power Unit Wall Bracket
13	F-HC-0312-18-1500	40271		5/16-18NC x 1-1/2 HHCS
14	F-ETLW-0312	40854		5/16" Ext. Tooth Lock Washer
15	F-PN-0312	FC5209		5/16" Push Nut
16	call for details	T130187		Air Lock Valve Mounting Bracket
17	call for details	T140081		1/4" Push-In 1/4" NPT Female Fitting
18	BH-7514-09	FA3134-12		Filter
19	F-HN-0312-18	40670		5/16-18NC Hex Nut
20	BH-7507-47	FJ7224		Elbow
21	BH-7515-69	FA7147-1		3 Phase Box
22	call for details	40275		M5x10 PHMS Plated
23	call for details	FA7205		3 Phase Drum Switch
	call for details	FA7205-1		Drum Switch Handle
24	call for details	FA7203-1		3 Phase Box Cover Plate

Models SL29-SPA and SL29-FP



P
a
g
e



Models SL29-SPA and SL29-FP

Item	SVI Part #	OEM#	Description
1	BH-9786-32	T140106	End Gasket
2	call for details	T110071	Guide Assembly
3	BH-9786-14	T140105	Center Gasket
4	BH-9785-68	T120055	Cover Plate
5	call for details	40268	1/2-13NCx2 Self Tap Flange Head Screw
6	BH-9786-16	T140076	Wiper
7	BH-9786-21	T140085	Bearing
	BH-9786-19	T140147	Bearing
8	BH-9784-26	T120099	Plunger
9	BH-9785-87	T140010	Bulkhead Union "T" Adapter
10	F-HC-0500-13-2500	40330	1/2-13NC x 2-1/2 HHCS
	F-HN-0500-13	40680	1/2-13NC Hex Nut
	F-ETLW-0500	40880	1/2" External Tooth Lockwasher
11	F-HC-0875-09-2500	40497	7/8-9NC x 2-1/2 HHCS
	F-HN-0875-09	40765	7/8-9NC Hex Nut
	F-ETLW-0875	41070	7/8" External Tooth Lockwasher
12	BH-9785-74	T130003	Latch Bar Plate
13	call for details	T120002	Grommet
14	F-JN-0250-20	40640	1/4-20NC Hex Jam Nut
15	BH-9780-79	T120121	Air Coil Rod Bracket Assembly
16	call for details	T120122	Frame
17	BH-9786-31	T140100	Hydraulic Oil Hose
18	BH-9784-32	T130260	Air Coil Hose Rod
19	BH-9784-98	T140096	Recoil Hose 3/16"
20	BH-9785-77	T130016	Containment Tube
21	BH-9785-95	T140023	Uniseal
22	BH-9785-52	T120038	Concrete Anchor Frame (end section)

Item	SVI Part #	OEM#	Description
23	BH-9785-64	T120070	Concrete Anchor Frame (side section)
24	F-HC-0250-20-1250	40115	1/4-20NCx1-1/4 HHCS
25	F-HC-0250-20-1500	40110	1/4-20NCx1-1/2 HHCS
26	F-HC-0750-10-5000	40456	3/4-10NCx5 HHCS Plated
27	BH-9785-76	T130015	Locking Latch
28	F-NL-0750-10	40790	3/4-10NC Nylon Insert Locknut
29	F-NL-0250-20	40642	1/4-20NC Nylon Insert Locknut
30	BH-9785-75	T130014	Clevis
31	F-HN-0250-28	40648	1/4-28NF Hex Nut
32	BH-9786-10	T140062	Air Cylinder
33	F-NL-0250-20	40642	1/4-20NC Nylon Insert Locknut
34	BH-9785-72	T120094	Latch Bar
35	BH-7508-53-OE	FJ7664	Hydraulic Cylinder
	call for details		Bleeder Screw (specify manufacturer)
36	F-SC-0500-13-2500	40313	1/2-13NCx2-1/2" Socket Head Cap Screw
	F-LW-0500	40915	1/2" Helical Spring Lockwasher Plated
37	BH-9785-53	T120050	Equalizer
38	call for details	T130005	Short Tie Channel
39	F-HC-0500-13-1000	40261	1/2-13NCx1 HHCS
	F-HN-0500-13	40680	1/2-13NC Hex Nut Plated
	F-ETLW-0500	40880	1/2" External Tooth Lockwasher
40	BH-7514-13	FA3134-6	Male Elbow Connector
41	BH-9785-84	T130189	1/4" Nylon Tube 9-1/2" Long
42	BH-7526-88	FC5225-46	Union Tee
43	BH-9786-41	T130191	1/4" Nylon Tube 11-1/8" Long
44	BH-7526-89	FC5225-47	Male Connector
	BH-9785-86	T140007	Grease/Zerk Fitting
45	BH-9786-46	T130382ML	Load Pad

SVI RECOMMENDS:

For use on cassette and pit style in-ground lifts.



- Protects your investment.
- Removes water.
- Works automatically.
- Air operated.
- Eliminates routine periodic pump out maintenance.
- An SVI lift industry solution.

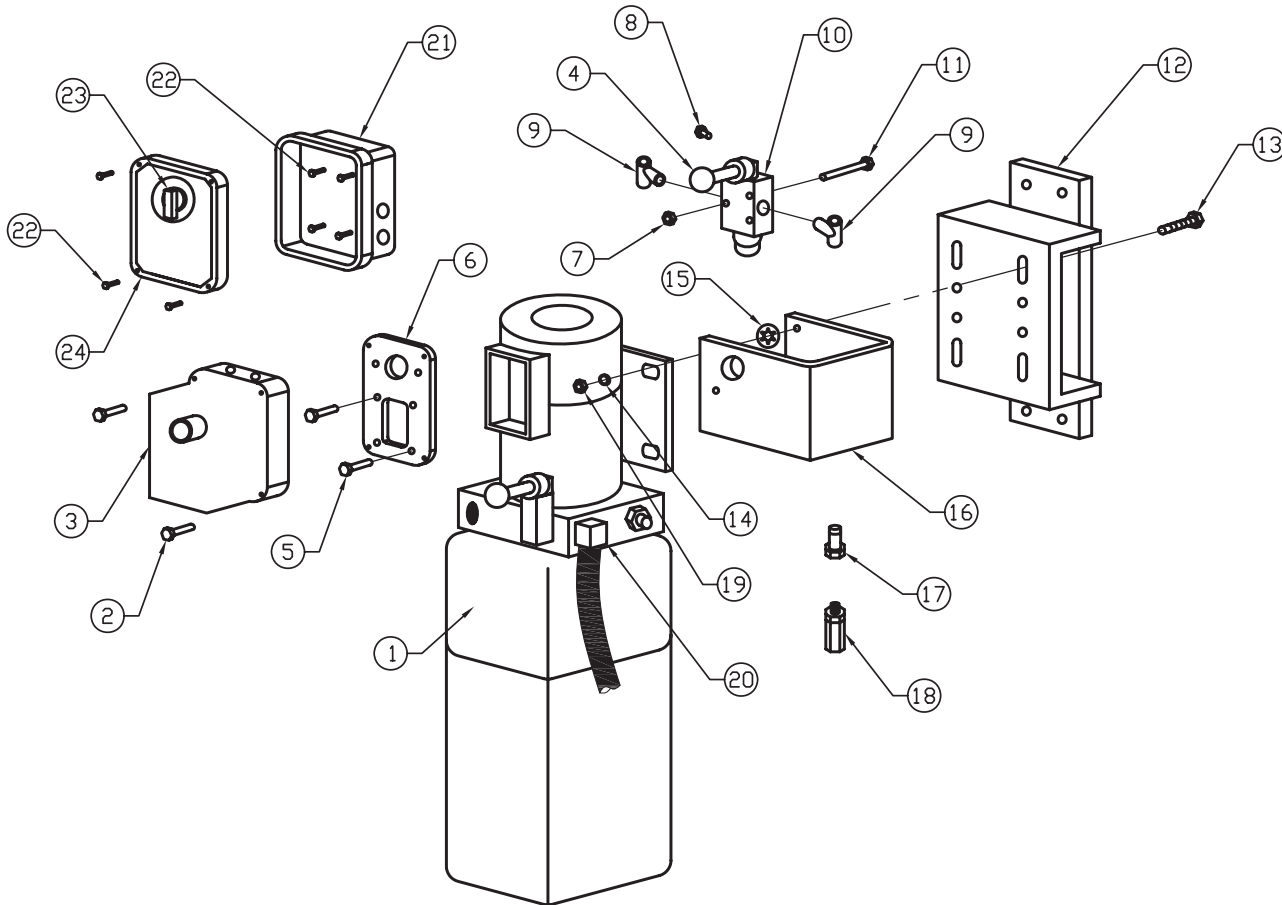
BH-9786-25 • BH-9786-25-5



BH-9786-46
Load Pad



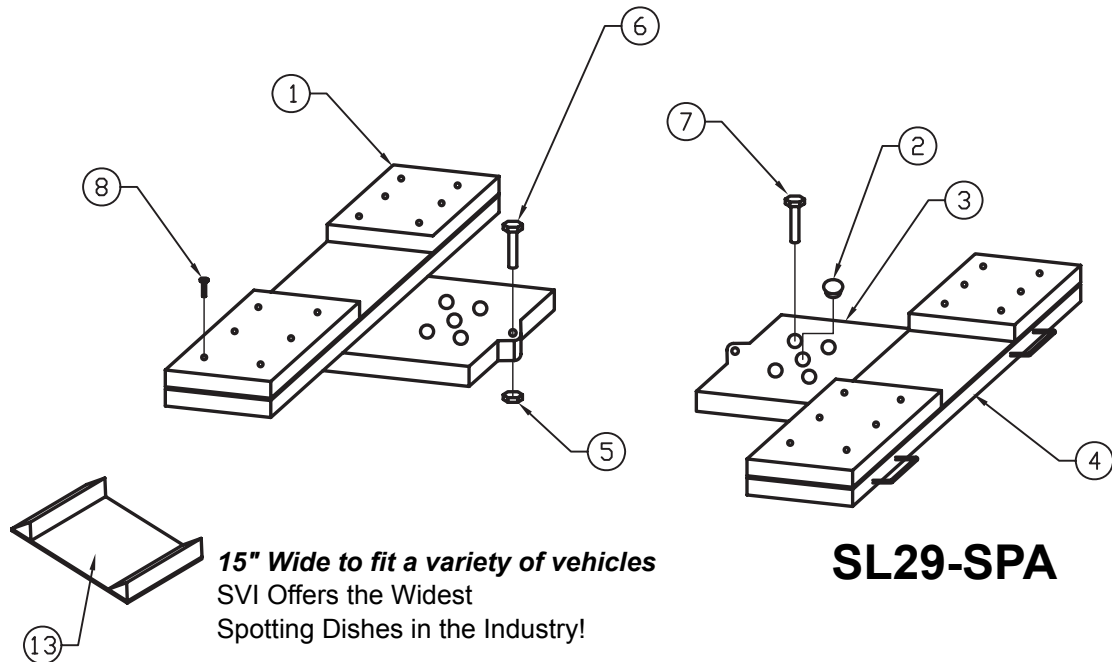
Models SL29-SPA and SL29-FP



Item	SVI Part #	OEM#	Description
1	BH-7006A-13	P1052	Power Unit - Single Phase
	call for details	P1053	Power Unit - Three Phase
2	F-MS-0008-32-0500	FA7152-2	#8-32NCx1/2 Self Tapping Pan Head MS
3	BH-7543-70	FA7162	Control Panel - 3 Phase 208V/60Hz.
	BH-7543-71	FA7163	Control Panel - 3 Phase 230V/60Hz.
	call for details	FA7164	Ctrl. Panel - 3 Phase 460-480C/60Hz. or 380-415V/50Hz.
4	BH-9786-29	T140119	Air Lock Valve Handle
5	call for details	FA7152-1	M5 x .8x8mm Flat Head MS
6	BH-7543-69	FA7132-2	Control Panel Adapter Plate
7	F-NL-0008-32	40649	#8-32NC Nylon Insert Lock Nut
8	BH-9784-41	T140075	Brass Filter
9	BH-7544-14	T140074	Swivel Elbow
10	BH-9786-15	T140073	Air Lock Valve
11	F-HC-0008-32-1500	40007	#8-32NCx1-1/2 HHCS

Item	SVI Part #	OEM#	Description
12	BH-9785-45	T120020	Power Unit Wall Bracket
13	F-HC-0312-18-1500	40238	5/16-18NC x 1-1/2 HHCS
14	F-ETLW-0312	40854	5/16" Ext. Tooth Lock Washer Plated
15	F-PN-0312	FC5209	5/16" Push Nut
16	call for details	T130187	Air Lock Valve Mounting Bracket
17	call for details	T140081	1/4" Push-In 1/4" NPT Female Fitting
18	BH-7514-09	FA3134-12	Filter
19	F-HN-0312-18	40670	5/16-18NC Hex Nut
20	BH-7507-47	FJ7224	Elbow
21	BH-7515-69	FA7147-1	3 Phase Box
22	call for details	40275	M5x10 PHMS Plated
23	call for details	FA7205	Drum Switch
	call for details	FA7205-1	Drum Switch Handle
24	call for details	FA7203-1	3 Phase Box Cover Plate

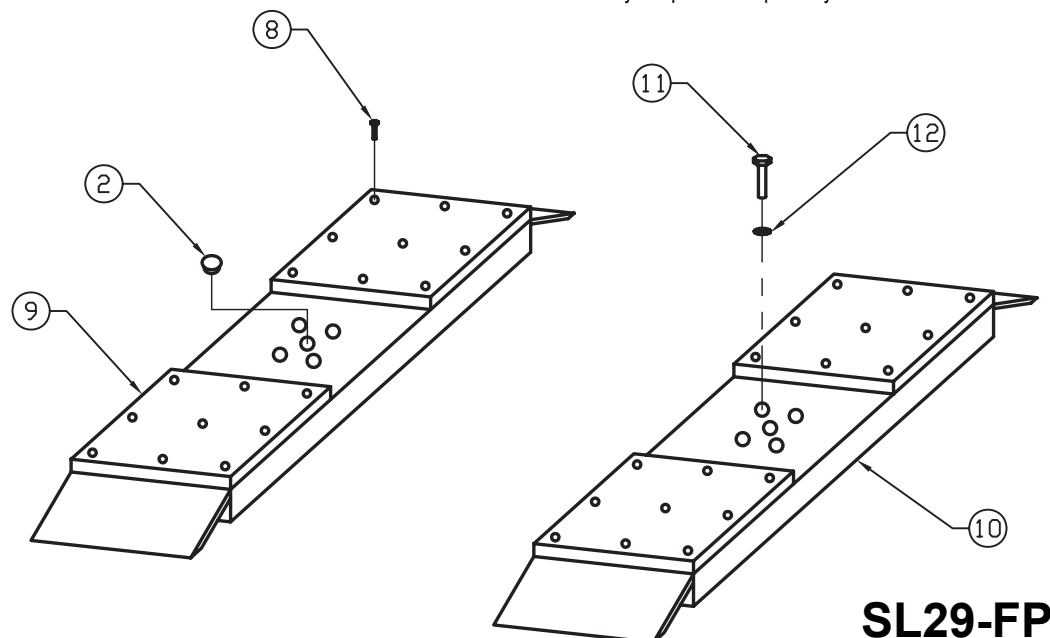
Models SL29-SPA and SL29-FP



Item	SVI Part #	OEM#	Description
1	BH-7505-12	FJ2177-2	Rubber Pad
	BH-7505-12K	GP1012	Rubber Pad Kit (4 Pads)
2	call for details	T140014	Plug Button
3*	BH-9785-67	T120082	Yoke
4	BH-9756-22	FJ2193-1	Support Assembly
5	F-HN-0375-16	40660	3/8-16NC Hex Nut
6	F-HC-0375-16-0625	40155	3/8-16NC x 5/8 HHCS
7	call for details	40482	3/4-10NC x 3 Hex Socket Flat

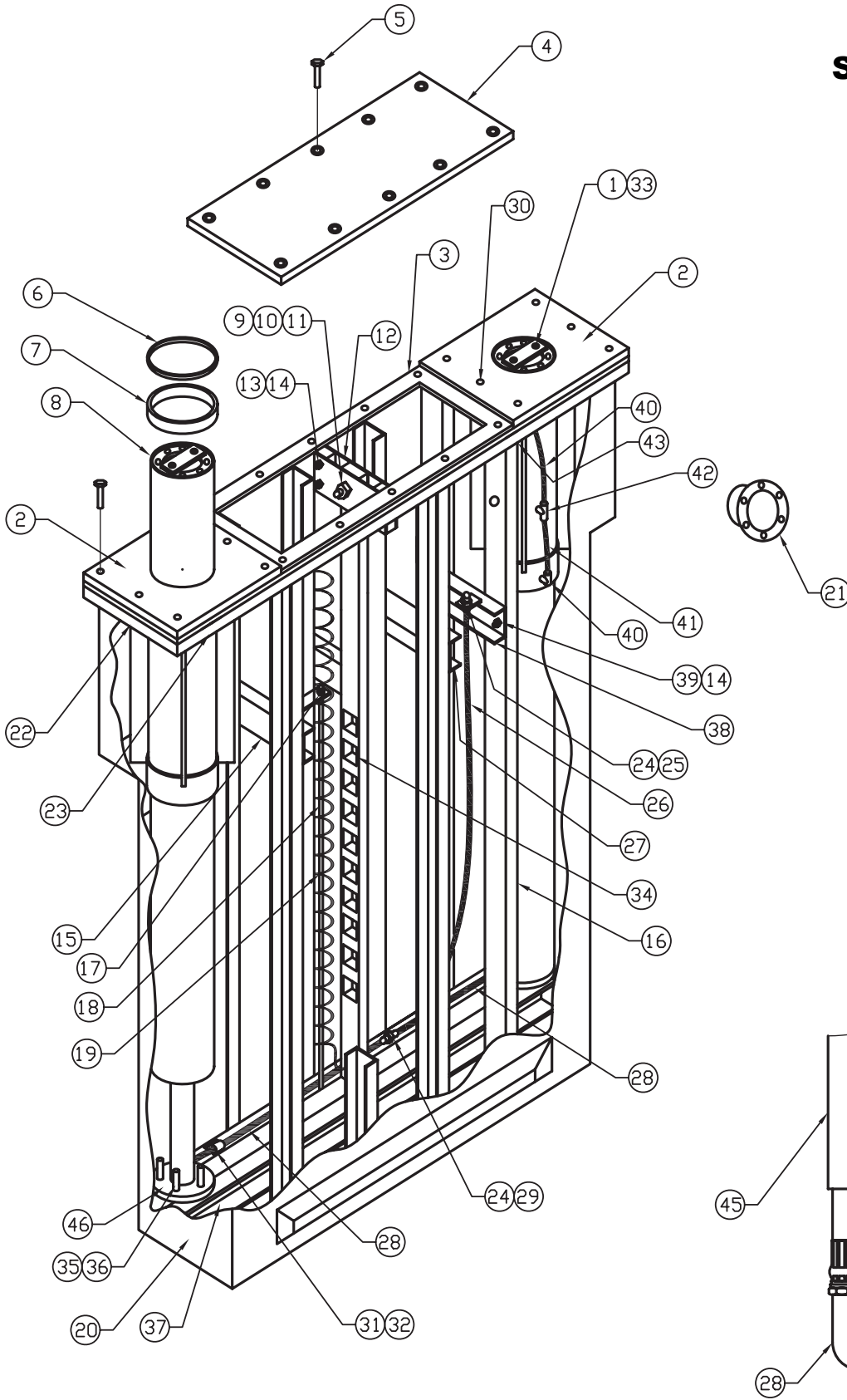
Item	SVI Part #	OEM#	Description
8	call for details	41351	1/2" x 1" SD12BS Blind Pop Rivets
9	BH-9756-25	FJ2252-5	Rubber Pad
10	call for details	T120087	Pad Weldment
11	F-HC-0750-10-3000	40470	3/4-10NC x 3 HHCS Grade 5
12	F-ETLW-0750	40995	3/4" External Tooth Lockwasher
13	BH-9701	FF729	1 15" Wide Reach Wheel Spotter
	BH-9702		1 15" Wide Reach Dual Spotter

* Custom Order By Request. Sample may be needed.





Models SL210/SL212



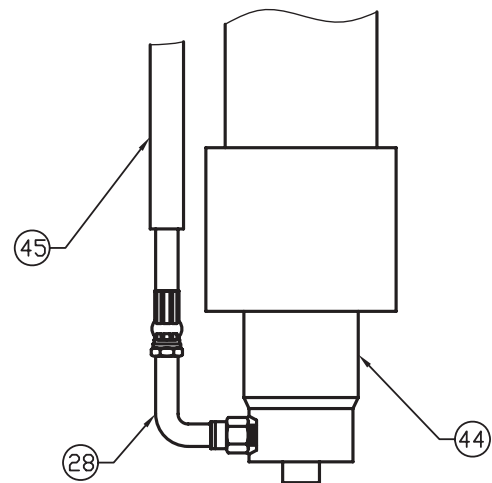
SVI RECOMMENDS:

For use on cassette and pit style in-ground lifts.

**Get the water
out now with
Aqua-Out**

- Protects your investment.
- Removes water.
- Works automatically.
- Air operated.
- Eliminates routine periodic pump out maintenance.
- An SVI lift industry solution.

BH-9786-25
BH-9786-25-5

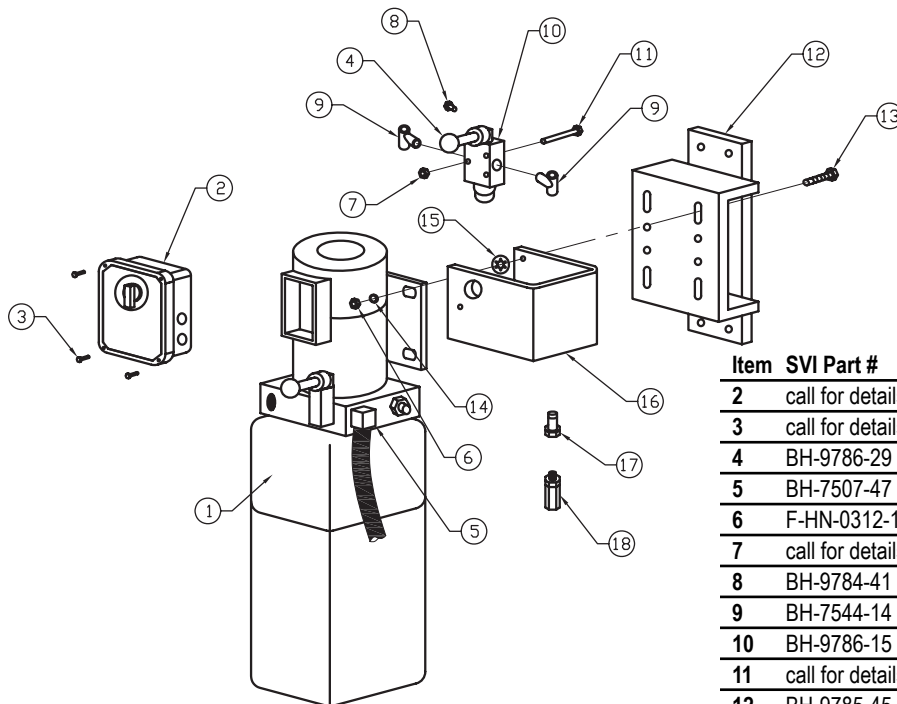




Models SL210/SL212

Item	SVI Part #	OEM#	Req	Description
1	BH-7521-08	T120166	2	Lift Bar Weldment
2	call for details	T110149	2	Guide Barrel Assy. (w/Nylon Tubes & Fittings)
3	BH-9786-51	T140163	1	One Piece Gasket
4	BH-9786-45	T120190	1	Cover Plate
5	call for details	40268	20	1/2-13NC x 2" Self Tap, Grade 5, Plated Full Thread
6	BH-9786-23	T140118	2	Wiper Seal
7	BH-9786-24	T140148	2	Bearing
8	BH-9784-95	T120161	2	Plunger
9	call for details	40606	1	1-1/8-7NC x 3" Gr. 5, Plated
10	call for details	40608	1	1-1/8" Int. Tooth Lock Washer, Plated
11	F-HN-1125-07	40607	1	1-1/8-7NC Hex Nut, Plated
12	BH-9785-24	T130342	2	Latch Bar Plate
13	F-HC-0500-13-2500	40338	4	1/2-13NC x 2-1/2" HHCS
14	call for details	40704	8	1/2-13NC Hex Flanged Whizlock Nut, Plated
15	call for details	T120157	1	Conduit Bracket Assembly
16	call for details	T120164	1	Frame Weldment
17	F-JN-0250-20	40640	2	1/4-20NC Hex Jam Nut
18	call for details	T130338	1	Air Coil Hose Rod
19	BH-7544-12	T140096	1	Air Coil Hose
20	call for details	T140124	1	Containment (w/Uniseal Hole Drilled)
21	BH-9785-95	T140023	1	2" Uniseal
22	call for details	T120197	2	Anchor Frame End
23	call for details	T120198	2	Anchor Frame Side

Item	SVI Part #	OEM#	Req	Description
24	call for details	40998	2	9/16" Int. Tooth Lockwasher, Plated
25	call for details	T140132	1	Bulkhead Adapter
26	call for details	T140170	1	Vertical Hose
27	call for details	T130345	2	Short Tie Channel
28	BH-7521-07	T140169	2	Plunger Hose
29	call for details	T140134	1	SS Bulkhead Union Tee
30	BH-9785-86	T140007	2	Zerk Fitting L#5000 1/8" Pipe
31	F-PH-0312-18-0375	40227	3	5/16-18NC x 3/8" Pan Head Screw
32	BH-7534-77	FJ7499	3	Hose Clip
33	BH-7521-09	40337	4	1/2-13NC x 1-1/4" Countersunk Socket Head Cap Screw
34	call for details	T130341	1	Latch Bar
35	F-HC-0625-11-2500	40343	12	5/8-11NC x 2-1/2" Hex Soc. Head Cap Screw
36	F-LW-0625	40961	12	5/8" Helical Spring Lockwasher, Plated
37	call for details	T120226	1	Equalizer
38	call for details	T120158	1	Hose Bracket Assembly
39	F-HC-0500-13-1000	40261	8	1/2-13NC x 1" HHCS
40	BH-9786-28	T100147	2	Guide Barrel Fitting Kit
41	BH-9786-41	T130191	6	1/4" Nylon Tube (11-1/8" long)
42	BH-7526-88	FC5225-46	2	Union Tee
43	BH-7526-89	FC5225-47	2	Male Connector for Nylon Tube
44	BH-9787-12	N367	2	Hydraulic Cylinder
45	call for details	T140166	2	Hose Support Tube
46	BH-9786-46	T130382ML	1	Load Pad

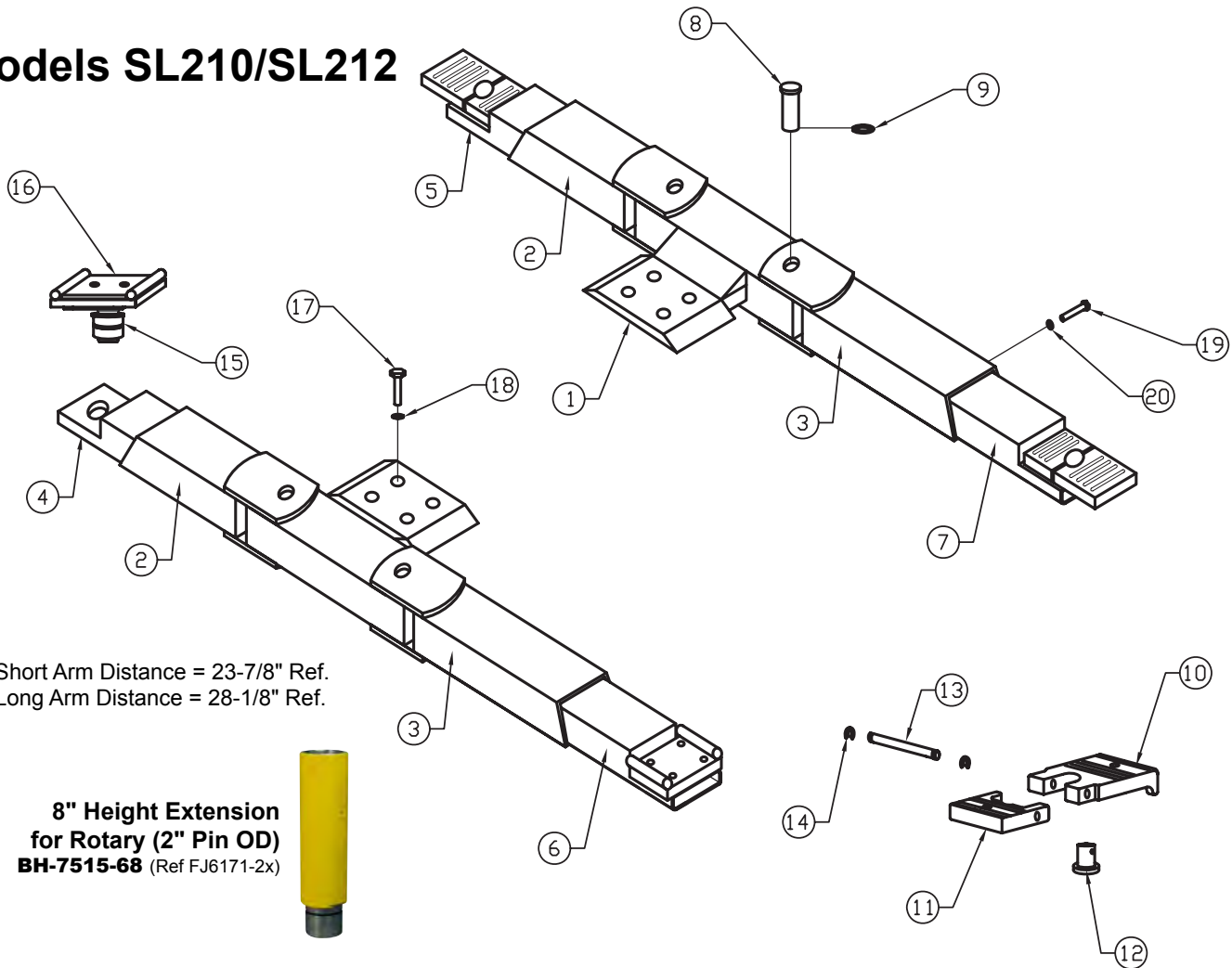


Item	SVI Part #	OEM#	Req	Description
1	BH-7520-05	P1350	1	1Ø 60 Hz. Power Unit (SL210)
	call for details	P1346	1	3Ø 50/60 Hz. Power Unit (SL210)
	BH-7520-08	P1302	1	1Ø 60 Hz. Power Unit (SL212)
	BH-7520-06	P1347	1	3Ø 50/60 Hz. Power Unit (SL212)

Item	SVI Part #	OEM#	Req	Description
2	call for details	FA7203	1	Capacitor Box (w/Drum Switch) All Voltages
3	call for details	40275	4	M5 x 10 PHMS, Plated
4	BH-9786-29	T140119	1	Air Lock Valve Handle
5	BH-7507-47	FJ7224	1	Elbow
6	F-HN-0312-18	40670	4	5/16-18NC Hex Nut
7	call for details	40649	1	#8-32NC Nylon Insert Lock Nut
8	BH-9784-41	T140075	1	Brass Filter
9	BH-7544-14	T140074	2	Swivel Elbow
10	BH-9786-15	T140073	1	Air Lock Valve
11	call for details	40007	1	#8-32NC x 1-1/2 Rnd. Hd. Mach. Screw
12	BH-9785-45	T120020	1	Power Unit Wall Bracket
13	F-HC-0312-18-1500	40271	4	5/16-18NC x 1-1/2" HHCS Zinc Plated
14	F-ETLW-0312	40854	4	5/16" Ext. Tooth Lock Washer Plated
15	BH-7526-41	FC5209	4	5/16" Push Nut
16	call for details	T130187	1	Air Lock Valve Mounting Bracket
17	call for details	T140081	1	1/4" Push-In 1/4" NPT Female Fitting
18	BH-7514-09	FA3134-12	1	Filter



Models SL210/SL212



** Short Arm Distance = 23-7/8" Ref.
Long Arm Distance = 28-1/8" Ref.

**8" Height Extension
for Rotary (2" Pin OD)
BH-7515-68** (Ref FJ6171-2x)

Item	SVI Part #	OEM#	Req	Description
1*	call for details	T120221	2	Yoke
2*	call for details	T120218	2	**Short Outer Arm
3*	BH-9784-94 / A	T120217	2	**Long Outer Arm
4*	call for details	T120224	2	**Short Inner Arm (Rubber Pad Adapters)
5*	BH-9786-43 / A	T120220	2	**Short Inner Arm Assy. (Flip-Up Adptrs.)
6*	call for details	T120223	2	**Long Inner Arm (Rubber Pad Adptrs.)
7*	BH-9786-42 / A	T120219	2	**Long Inner Arm Assy. (Flip-Up Adptrs.)
8	BH-9784-22	T130451	4	Arm Pin
9	call for details	T140168	4	Arm Pin Retaining Ring
10	BH-7530-02	FJ6177	4	High Step Adapter

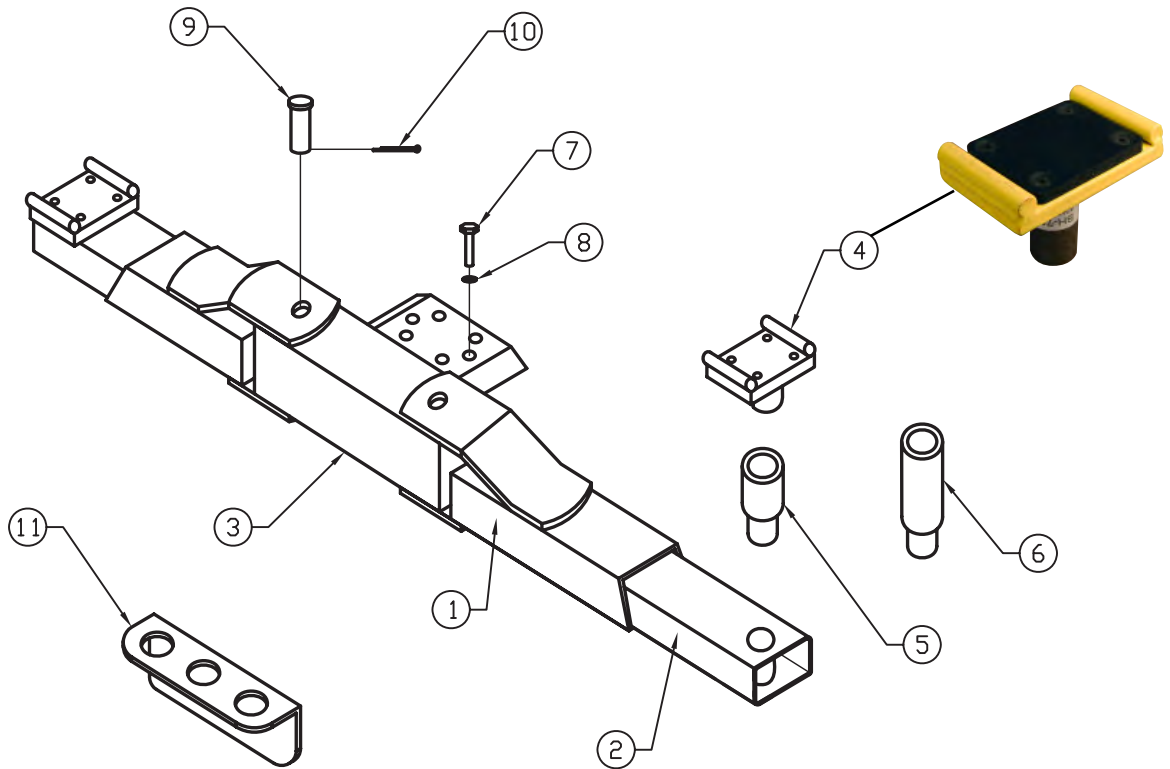
Item	SVI Part #	OEM#	Req	Description
11	BH-7530-03	FJ6178	4	Low Step Adapter
12	BH-9755-25L	FJ79-6	4	Adapter Swivel Pin
13	BH-7533-60	FJ6179	4	Adapter Pin
14	BH-9755-26	FJ671-6	8	3/32" Hog Ring for 1/2" Shaft
15	BH-7536-96	FJ6182	4	Adapter Assembly
16	BH-7536-92P	FJ6158-4	4	Rubber Pad
17	F-HC-0875-09-3500	40498	8	7/8-9NC x 3-1/2" HHCS
18	F-ETLW-0875	41072	8	7/8" Ext. Tooth Lockwasher, Plated
19	F-HC-0375-16-0625	40155	4	3/8-16NC x 5/8" HHCS
20	call for details	40843	4	3/8" Internal Tooth Lockwasher

* Custom Order By Request. Sample may be needed.

Turf Trays Available
for Rotary
In-Ground
Side-by-Side!
Improve Efficiency!



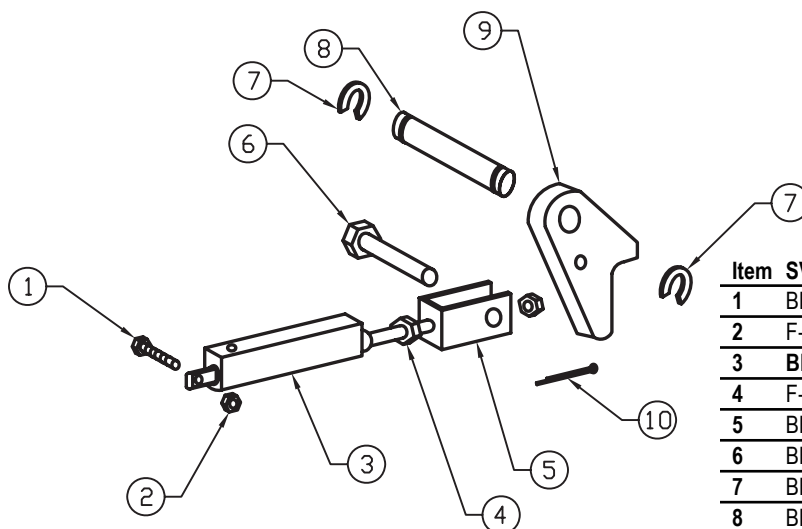
Models SL210/SL212



Item	SVI Part #	OEM#	Req	Description
1*	BH-9786-39 / A	T120151	4	Outer Arm
2*	BH-9784-36	T120150	4	Inner Arm
3*	call for details	T120152	2	Yoke Weldment
4	BH-7536-92	FJ6158	4	Adapter Assembly
5	BH-7533-96	FJ6143	4	4" Extension
6	BH-7533-97	FJ6144	2	8" Extension

Item	SVI Part #	OEM#	Req	Description
7	F-HC-0875-09-3500	40498	12	7/8-9NC x 3-1/2" HHCS
8	F-ETLW-0875	41072	12	7/8" External Tooth Lockwasher, Plated
9	BH-9786-40	T120153	4	Arm Pin
10	F-CP-187-3000	41253	4	3/16" x 3" Cotter Pin
11	BH-7500-95	FJ6145	2	Extension Rack

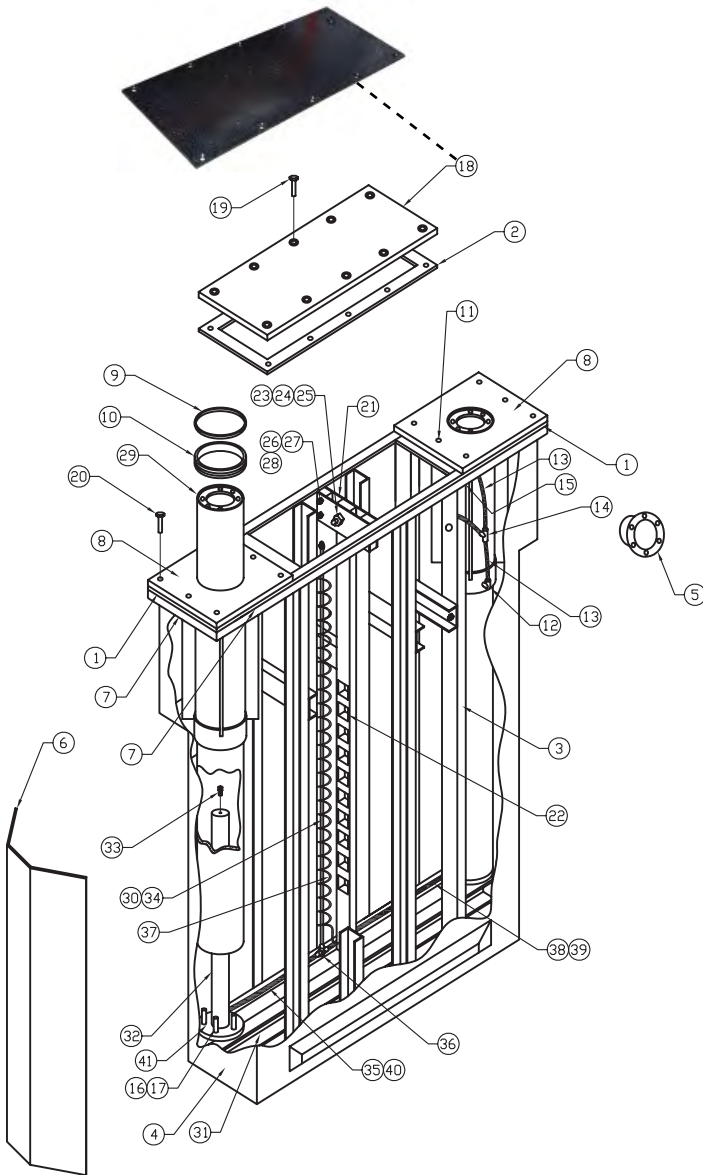
* Custom Order By Request. Sample may be needed.



Item	SVI Part #	OEM#	Req	Description
1	BH-9786-49	40115	1	1/4-20NC x 1-1/4" HHCS, Gr. 2
2	F-NL-0250-20	40642	1	1/4-20NC Hex Nylon Insert Locknut
3	BH-9786-10	T140062	1	Air Cylinder
4	F-HN-0250-28	40648	2	1/4-28NF Hex Nut, Plated
5	BH-9784-30	T130349	1	Clevis
6	BH-9784-37	T140135	1	Latch Clevis Pin, Plated
7	BH-7537-59A	41417	2	Retaining Ring TRUARC #5304-125
8	BH-9784-31	T130350	1	Latch Shaft
9	BH-9784-33	T130348	1	Locking Latch
10	F-CP-062-0750	41606	1	1/16" x 3/4" Lg. Cotter Pin



Models SL9 / SL9-RA / SL9-SPA / SL9-BU 100 and 200 Series, SL90204, SL90104



SVI RECOMMENDS:

For use on cassette and pit style in-ground lifts.

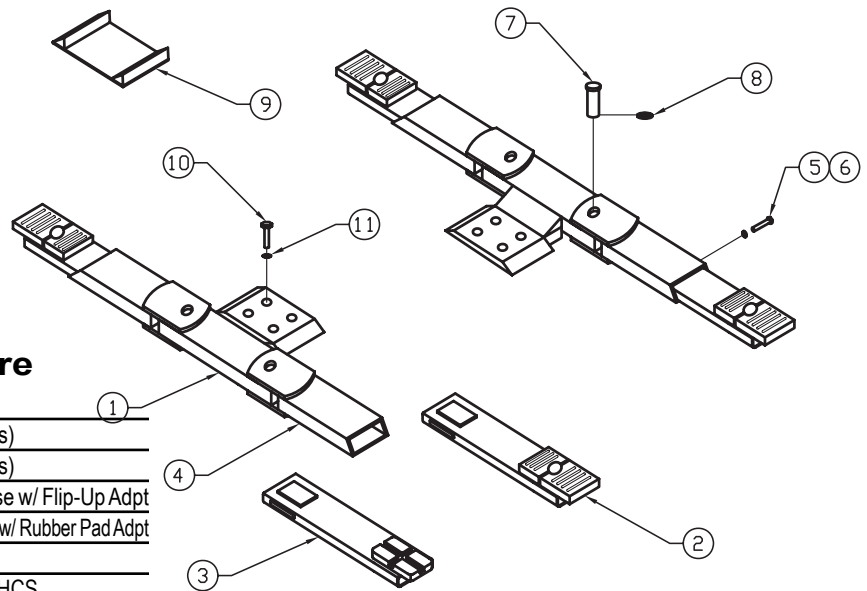
Get the water out now with Aqua-Out

- Protects your investment.
- Removes water.
- Works automatically.
- Air operated.
- Eliminates routine periodic pump out maintenance.
- An SVI lift industry solution.

BH-9786-25 • BH-9786-25-5

Item	SVI Part #	OEM#	Req	Description
1	BH-9785-92	T140020		Gasket End
2	BH-9785-91	T140019		Gasket Center
3	BH-9785-50	T120036		Frame
4	BH-9785-77	T130016		Containment Tube - Drilled
5	BH-9785-95	T140023		2" Uniseal
6	BH-9780-80	T130087		Side Sheet
7	call for details	T120008		Concrete Anchor Frame (100 Series)
	BH-9785-52	T120038		Concrete Anchor Fr. (end section-200 Series)
	BH-9785-64	T120070		Concrete Anchor Fr. (side section-200 Series)
8	call for details	T120051		Bearing Assembly
9	BH-9785-90	T140018		Wiper (100 series)
	BH-9786-16	T140076		Wiper (200 series)
10	BH-9785-89	T140016		Bearing (100 series)
	BH-9786-09	T140054		Bearing (200 series)
11	BH-9785-86	T140007		Grease/Zerk Fitting
12	BH-7519-49	15105		Male Elbow Connector (100 series)
	BH-7514-13	FA3134-6		Male Elbow Connector (200 series)
13	BH-9785-34	T110007PC9		1/4" Nylon Tube (100 series)
	BH-9786-41	T130191		1/4" Nylon Tube 11-1/8" Lg. (200 series)
	BH-9785-84	T130189		1/4" Nylon Tube 9-1/2" Lg. (200 series)
14	BH-7519-32	15107		Swivel Male Tee (100 Series)
	BH-7526-88	FC5225-46		Union Tee (200 Series)
15	BH-7526-89	FC5225-47		Male Connector (200 series)
16	call for details	40317		1/2"-13NC x 2" Lg. Soc. Hd. Capscrew
17	call for details	40880		1/2" Ext. Lock Washer
18	BH-9785-68	T120055		Cover Plate
19	call for details	40315		1/2"-13NC x 2" Lg. HHCS (100 series)
	call for details	40268		1/2"-13NC X 2" Lg. Self Tap FHCS (200 series)
20	call for details	40305		1/2"-13NC x 1-1/2" 12pt. Capscrew (100 ser.)
21	BH-9785-74	T130003		Latch Bar Plate
22	BH-9785-73	T130001		Latch Bar (100 series)
	BH-9785-72	T120094		Latch Bar (200 series)
23	F-HC-0875-09-3000	40497		7/8"-9NC x 3" Lg. HHCS
24	F-HN-0875-09	40765		7/8"-9NC Hex Nut
25	F-ETLW-0875	41070		7/8" Ext. Lock Washer
26	F-HC-0500-13-2500	40330		1/2"-13NC x 2-1/2" Lg. HHCS
27	F-HN-0500-13	40680		1/2"-13NC Hex Nut
28	F-ETLW-0500	40880		1/2" Ext. Lock Washer
29	call for details	T120054		Plunger (100 series)
	BH-9785-66	T120079		Plunger (200 series)
30	BH-9785-98	T140026		Hose
31	BH-9785-53	T120050		Equalizer
32	BH-7508-53-OE	FJ7664		Hydraulic Cylinder
33	call for details		2	Bleeder Screw (specify manufacturer)
34	BH-9786-00	T140028		PVC Pipe
35	BH-9785-97	T140025		25" Hose
36	BH-9786-04	T140029		Tee Adapter
37	BH-9786-01	T140030		Air Hose
38	BH-9785-99	T140027		34" Hose
39	call for details	T130192		Long Hose Cover (200 Series)
40	call for details	T130193		Short Hose Cover (200 Series)
41	BH-9786-46	T130382ML		Load Pad

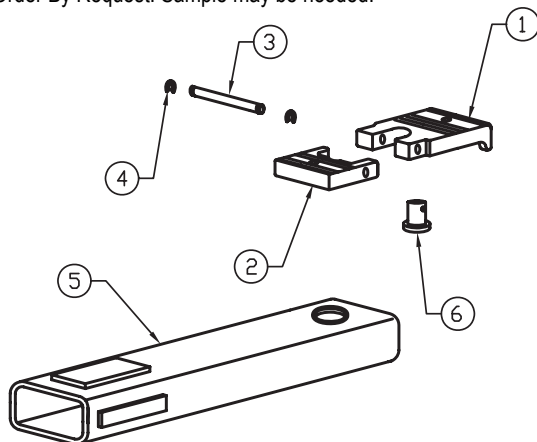
Models SL9 / SL9-RA / SL9-SPA / SL9-BU 100 and 200 Series, SL90204, SL90104



SL9 Superstructure

Item	SVI Part #	OEM#	Req	Description
1*	BH-9785-60	T120067		Yoke (100 Series)
	call for details	T120098		Yoke (200 Series)
2*	BH-7503-97	FJ7150-2		Inner Tube for use w/ Flip-Up Adpt
3*	call for details	FJ866-1		Inner Tube for use w/ Rubber Pad Adpt
4*	BH-9785-61	T120068		Outer Tube
5	F-HC-0375-16-0625	40155	4	3/8"-16 x 5/8" HHCS
6	call for details	40843	4	3/8" Internal Tooth Lock Washer
7	BH-9785-78	T130066		Arm Pin
8	BH-9759-31	41404		Truarc #5100-187
9	BH-9701	FF729	1	15" Wide Reach Wheel Spotter
	BH-9702		1	15" Wide Reach Dual Spotter
10	call for details	40474	4	7/8-9NCx2-1/2" Soc. FLC'Sunk Hd. CS (100 Series)
	F-HC-0750-10-3000	40470	8	3/4"-10 HCx3" HHCS (200 Series)
11	F-ETLW-0750	40995	8	3/4" Ext. Tooth Lock Washer (200 Series)

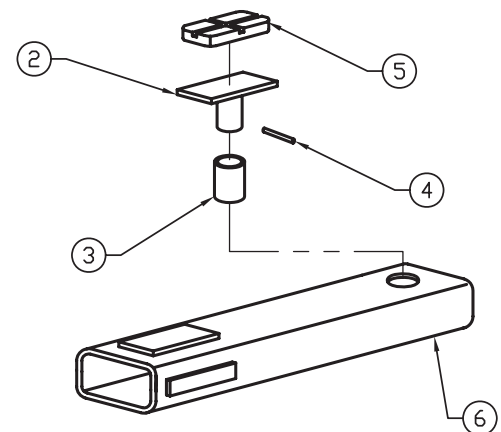
* Custom Order By Request. Sample may be needed.



SL9 Flip-Up Adapter

Item	SVI Part #	OEM#	Req	Description
1	BH-9755-20	FJ671-1		Adapter High Step
	BH-9789-98	FJ697		Rubber Pad Adapter for Flip-Up
2	BH-9755-21	FJ671-2		Adapter Low Step
3	BH-9755-22	FJ671-3		Adapter Pin
4	BH-9755-26	FJ671-6		Hog Ring Clips
5*	BH-9786-54	T120025		Inner Arm Tube
6	BH-9755-25L	FJ79-6		Adapter Swivel Pin

* Custom Order By Request. Sample may be needed.



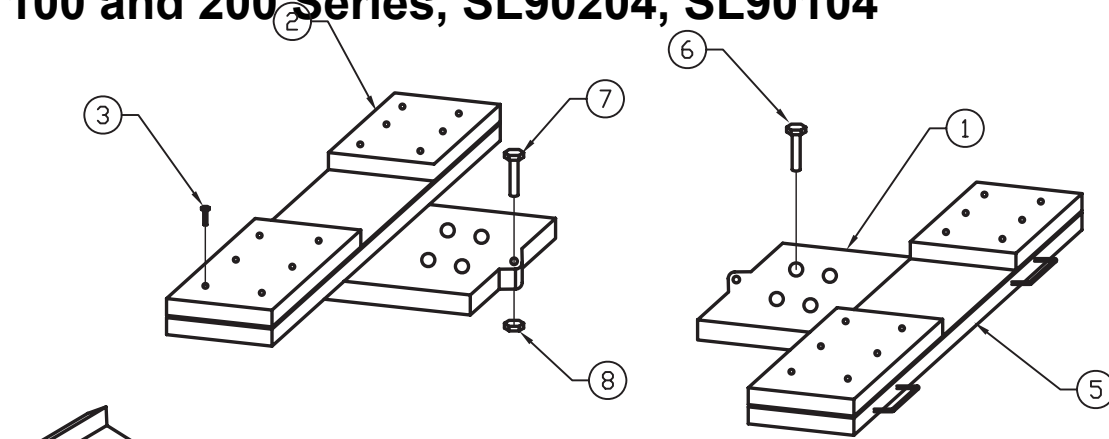
SL9-RA Rubber Pad Adapter

Item	SVI Part #	OEM#	Req	Description
1	BH-7533-84	FJ6125		Adapter Assembly (consists of PCs 2, 3, 4 & 5)
2	BH-9785-00	FJ7859		Rectangular Adapter Weldment
3	BH-9785-01	FJ7864-3		Insert
4	F-RP-125-1500	14451	4	1/8"x1-1/2" Roll Pin
5	BH-7508-61	FJ7735-2		Rectangle Adapter Pad - Yellow
6	call for details	FJ7866-1		Inner Tube with Rubber Pad Adpt**

** Includes Items 2, 3, 4 & 5

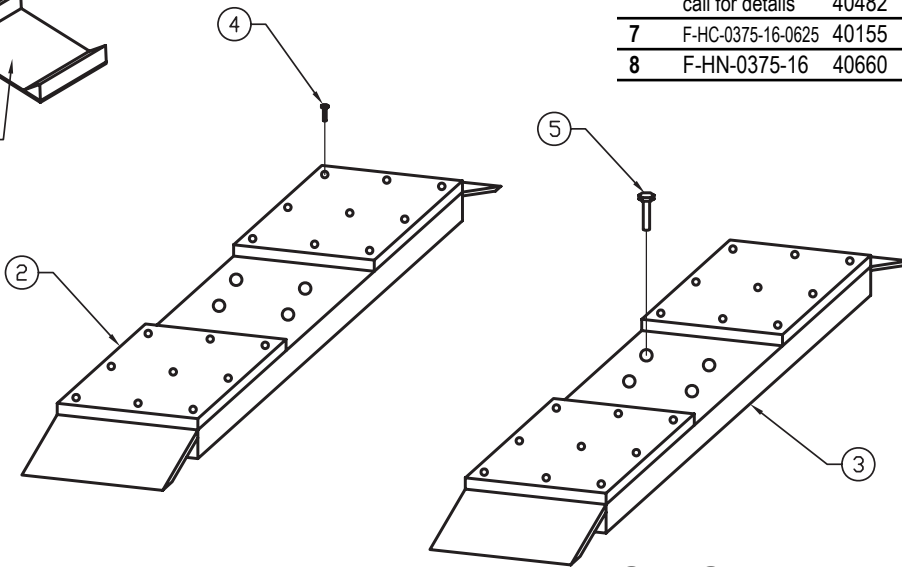
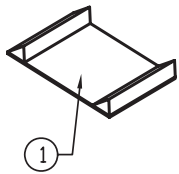
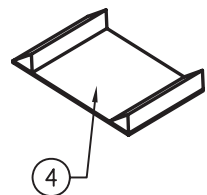


Models SL9 / SL9-RA / SL9-SPA / SL9-BU 100 and 200 Series, SL90204, SL90104



SL9-SPA Adjustable Pad Superstructure

Item	SVI Part #	OEM#	Req	Description
1*	BH-9785-47	T120026		Yoke (100 Series)
	BH-9785-67	T120082		Yoke (200 Series)
2	BH-7505-12	FJ2177-2		Rubber Pad
3	call for details	41351		1/2" x 1" SD812BS Blind Pop Rivets (6 req. for each pad)
4	BH-9701	FF729	1	15" Wide Reach Wheel Spotter
	BH-9702		1	15" Wide Reach Dual Spotter
5	BH-9756-24	FJ2193		Pad and Support Assembly
6	call for details	40474	8	7/8-9NC x 2-1/2 Soc. FL C'sunk Hd. CS
	call for details	40482	8	3/4"-10 x 3" Soc. FL C'sunk Hd. CS
7	F-HC-0375-16-0625	40155	2	3/8"-16NC x 5/8 HHCS
8	F-HN-0375-16	40660	2	3/8"-16NC Hex Nut

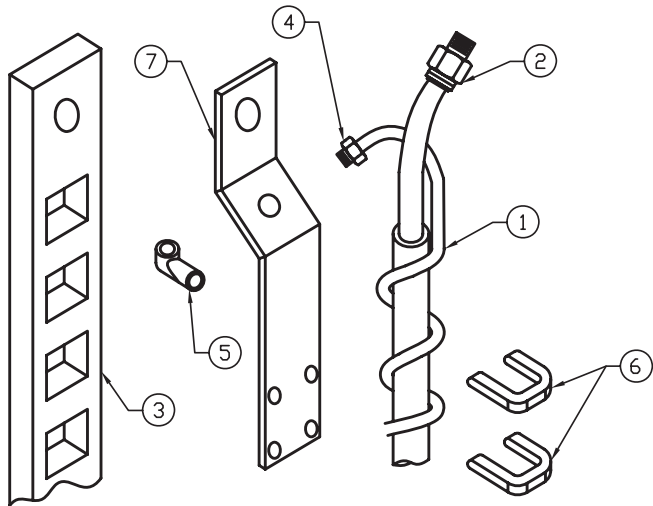
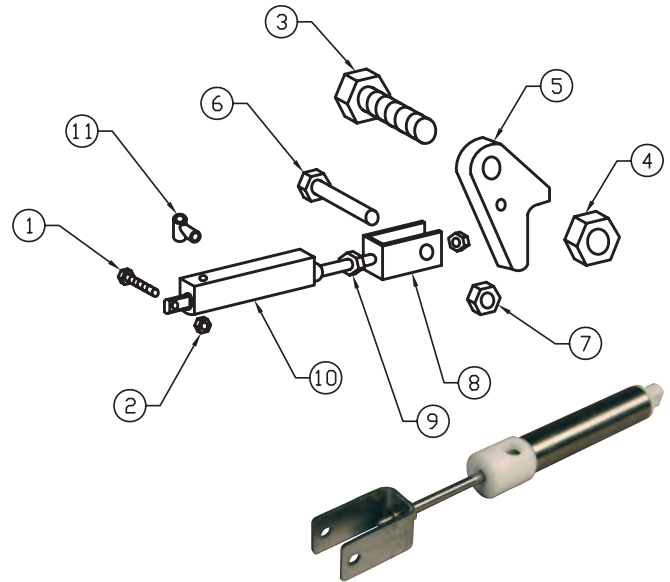


SL9 Series Fixed Pad Superstructure

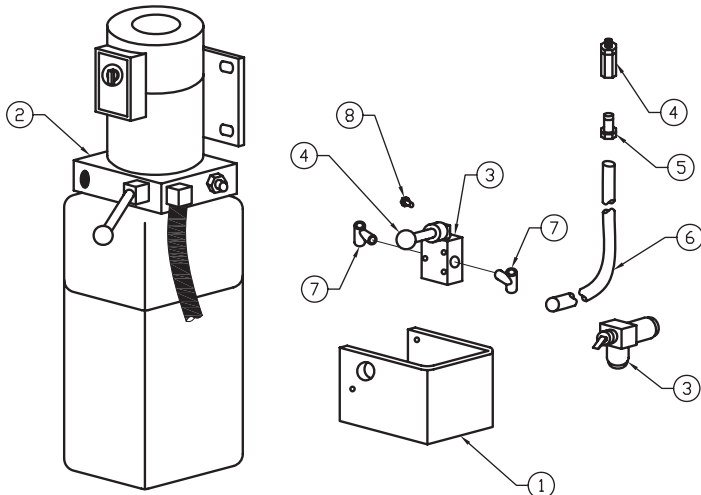
Item	SVI Part #	OEM#	Req	Description
1	BH-9701	FF729	1	15" Wide Reach Wheel Spotter
	BH-9702		1	15" Wide Reach Dual Spotter
2	BH-7505-11A	FJ2252-5		Rubber Pad
3	call for details	T110015		Pad Assembly (100 Series)
	call for details	T110040		Pad Assembly (200 Series)
4	call for details	41351		1/2x14 SD812BS Blind Pop Rivets (6 req. for each pad)
5	call for details	40474	8	7/8-9NC x 2-1/2 Soc. FL C'Sunk Hd CS (100 Series)
	F-HC-0750-10-3000	40470	8	3/4"-10NC x 3" Hex Hd. CS (200 Series)

Models SL9 / SL9-RA / SL9-SPA / SL9-BU 100 and 200 Series, SL90204, SL90104

Item	SVI Part #	OEM#	Req	Description
1	F-HC-0250-20-1250	40115		1/4-20NC x 1-1/4" Lg. HHCS
2	F-NL-0250-20	40642		1/4-20NC Hex Nylon Insert Lock Nut
3	F-HC-0750-10-4500	40457		3/4-10NC x 4-1/2 Lg. HHCS
4	F-NL-0750-10	40790		3/4-10NC Nylon Ins. Hex Lock Nut (200 Ser.)
5	BH-9785-76	T130015		Locking Latch
6	F-HC-0250-20-1500	40110		1/4-20NC x 1-1/2 Lg HHCS
7	F-LN-0250-20	41423		1/4-20NC Hex Lock Nut
8	BH-9785-75	T130014		Clevis
9	F-HN-0250-28	40648		1/4"-28NF Hex Nut
10	BH-7517-29	FC5309-3		Air Cylinder (100 Series)
	BH-9786-10	T140062		Air Cylinder (200 Series)
11	BH-9775-50	FA299-12		Street Elbow



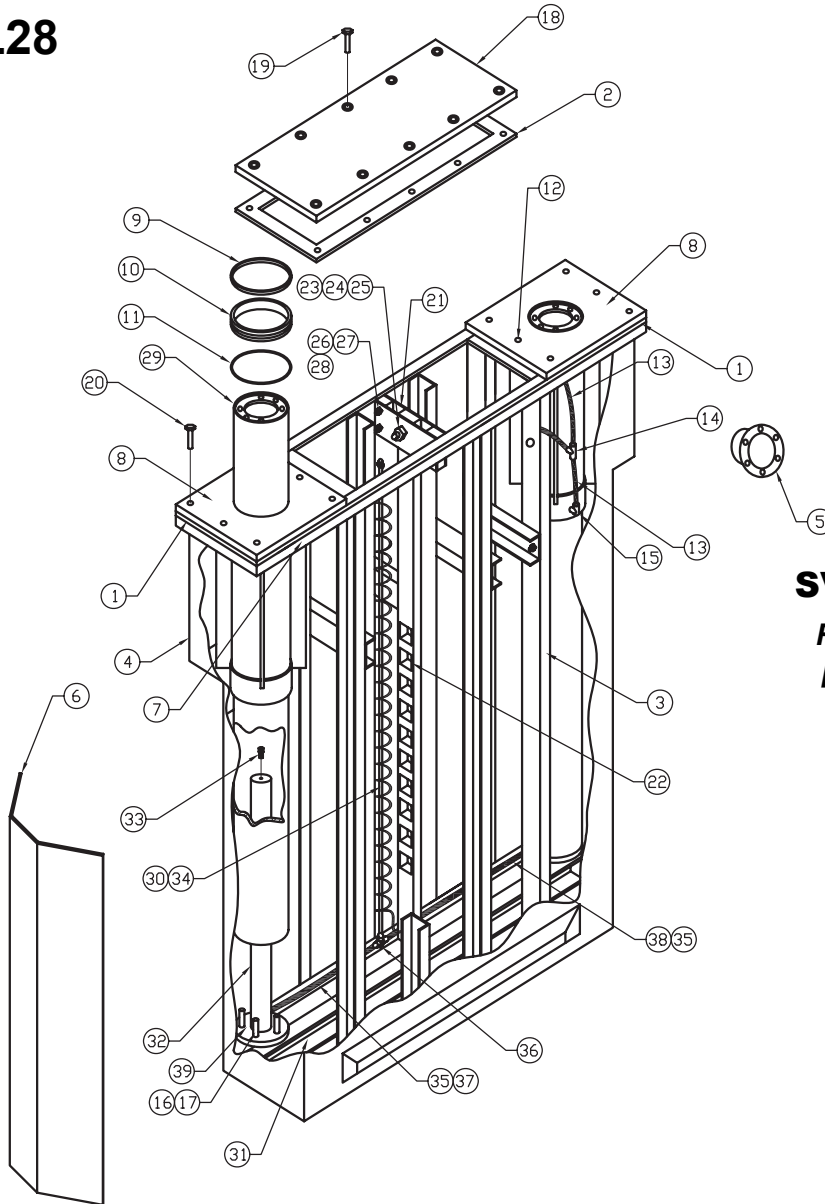
Item	SVI Part #	OEM#	Req	Description
1	BH-9786-01	T140030		Air Coil Hose
2	BH-9785-88	T140013		Hydraulic Hose (100 Series)
	BH-9785-98	T140026		Hydraulic Hose (200 Series)
3	call for details	T130001		Locking Latch Bar
4	BH-7518-97	FC147-1		Connector (100 Series)
5	call for details	AQ69PS		90° Elbow (100 Series)
6	BH-9786-05	T140031		U-Bolt w/ 1/4-20 Hex Nuts (100 Series)
7	BH-9785-81	T130093		Hose Rod Support (100 Series)



Item	SVI Part #	OEM#	Req	Description
1	BH-9786-82	T130099		Control Assembly Bracket (100 Series)
	call for details	T130187		Control Assembly Bracket (200 Series)
2	call for details	P702		Power Unit (100 Series)
	call for details	P752		Power Unit (200 Series-Single Phase)
	call for details	P753		Power Unit (200 Series-Three Phase)
3	BH-7515-02	FA2273-3		Air Valve (100 Series)
	BH-9786-15	T140073		Air Valve (200 Series)
4	BH-7514-09	FA3134-12		Filter
5	call for details			1/4" Push-In 1/4" NPT Fitting
6	BH-7515-04	FA2273-4		1/4" Tubing
7	BH-7544-14	T140074		90° Swivel Elbow (200 Series)
8	BH-9784-41	T140075		Brass Filter (200 Series)



Model SL28



SVI RECOMMENDS:

For use on cassette and pit style in-ground lifts.

Get the water out now with Aqua-Out

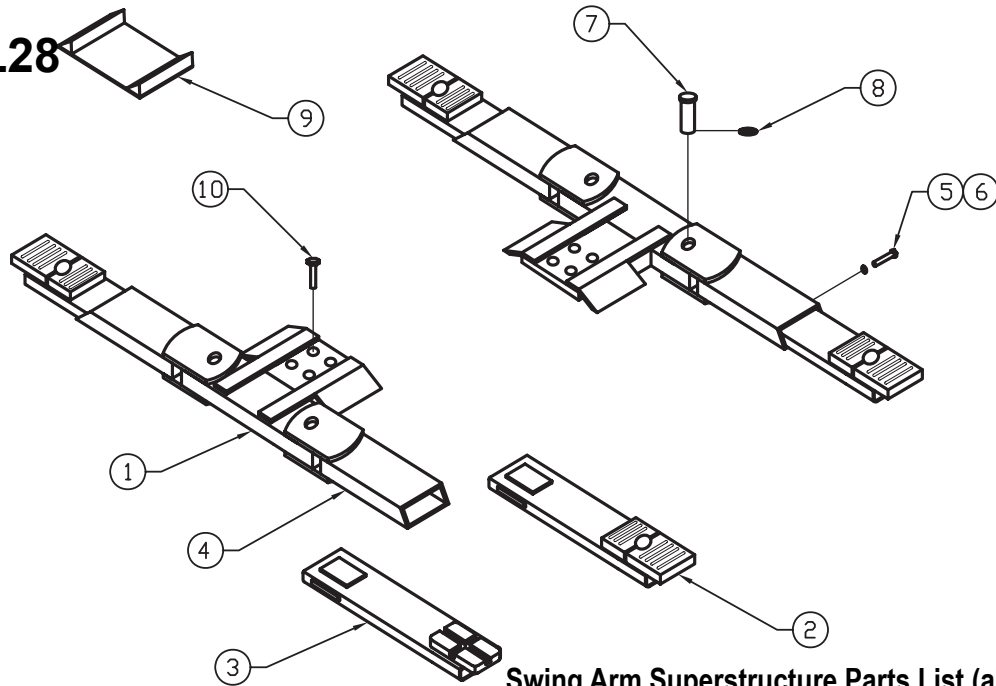
- Protects your investment.
- Removes water.
- Works automatically.
- Air operated.
- Eliminates routine periodic pump out maintenance.
- An SVI lift industry solution.

BH-9786-25
BH-9786-25-5

Item	SVI Part #	OEM#	Description
1	BH-9785-92	T140020	Gasket End
2	BH-9785-91	T140019	Gasket Center
3	BH-9785-50	T120036	Frame
4	BH-9785-77	T130016	Containment Tube - Drilled
5	BH-7505-54	FA583	2" Flexible Boot
6	BH-9785-80	T130087	Side Sheet
7	call for details	T120008	Concrete Anchor Frame
8	BH-9785-36	T110012	Guide Assembly
9	BH-9785-90	T140018	Wiper
10	BH-9785-89	T140016	Bearing
11	BH-9785-96	T140024	O-Ring
12	BH-9785-86	T140007	Grease/Zerk Fitting
13	BH-9785-34	T110007PC9	1/4" Nylon Tube
14	BH-7519-32	15107	Swivel Male Tee
15	BH-7519-49	15105	Male Elbow Connector
16	call for details	40317	1/2"-13NC x 2" Lg. Soc. Hd. Capscrew
17	F-ETLW-0500	40880	1/2" Ext. Lock Washer
18	call for details	T120042	Cover Plate
19	F-HC-0500-13-2000	40315	1/2"-13NC x 2" Lg. HHCS

Item	SVI Part #	OEM#	Description
20	F-HC-0500-13-1500	40305	1/2"-13NC x 1-1/2" 12 pt. Capscrew
21	BH-9785-74	T130003	Latch Bar Plate
22	BH-9785-73	T130001	Latch Bar
23	F-HC-0875-09-3000	40497	7/8"-9NC x 3" Lg. HHCS
24	BH-7520-56	40765	7/8"-9NC Hex Nut
25	F-ETLW-0875	41070	7/8" Ext. Lock Washer
26	F-HC-0500-13-2500	40330	1/2"-13NC x 2-1/2" Lg. HHCS
27	F-HN-0500-13	40680	1/2"-13 NC Hex Nut
28	F-ETLW-0500	40880	1/2" Ext. Lock Washer
29	call for details	T120017	Plunger
30	BH-9785-98	T140026	Hose
31	call for details	T120006	Equalizer
32	BH-7508-53-OE	FJ7664	Hydraulic Cylinder
33	call for details		Bleeder Screw (2 req'd)
34	BH-9786-00	T140028	PVC Pipe
35	BH-7511-05	FJ7352-3	Straight Adapter
36	BH-9786-04	T140029	Tee Adapter
37	BH-9785-97	T140025	25" Hose
38	BH-9785-99	T140027	34" Hose
39	BH-9786-46	T130382ML	Load Pad

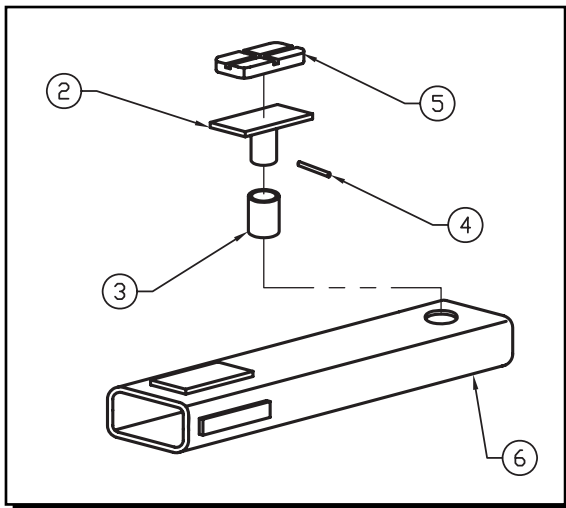
Model SL28



Swing Arm Superstructure Parts List (above)

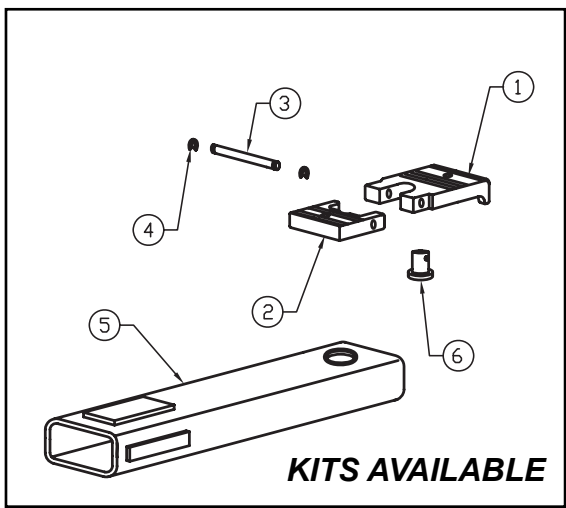
Item	SVI Part #	OEM#	Description
1*	call for details	T120028	Yoke
2*	call for details	T110009	Inner Tube with Flip-Up Adapter
3*	call for details	T120029	Inner Tube for Rubber Pad Adapter
	BH-9785-35	T110008	Rubber Pad Adapter Assembly
4*	call for details	T120027	Outer Tube
5	F-HC-0375-16-0625	40155	3/8"-16NC x 5/8" HHCS (4 Req'd)
6	call for details	40843	3/8" Int. Tooth Lock Washer (4 Req'd)
7	BH-9785-78	T130066	Arm Pin
8	call for details	41404	Truarc #5100-187
9	BH-9701	FF729	1 15" Wide Reach Wheel Spotter
	BH-9702		1 15" Wide Reach Dual Spotter
10	call for details	40474	7/8"-9NC x 2-1/2" Soc. FL C'Sunk Hd. CS (8 Req'd)

* Custom Order By Request. Sample may be needed.



Rubber Pad Adapter Parts List (left middle)

Item	SVI Part #	OEM#	Description
1	BH-9785-35	T110008	Adapter Assy. (consists of items 2-5)
2	BH-9785-00	FJ7859	Rectangular Adapter Weldment
3	BH-9785-01	FJ7864-3	Insert
4	BH-7519-31	14451	1/8" x 1-1/2" Roll Pin (4 Req'd)
5	BH-7508-61	FJ7735-2	Rectangular Adapter Pad - Yellow
6	call for details	T120029	Inner Arm Tube



Flip-Up Adapter Parts List (left bottom)

Item	SVI Part #	OEM#	Description
KIT	BH-9755-36-1	FJ671-8	Adapter Repair Kit for 1 Arm
KIT	BH-9755-36	FJ671-7	Adapter Repair Kit for 4 Arms
1	BH-9755-20	FJ671-1	Adapter High Step
	BH-9789-98	FJ697	Rubber Pad Adapter for Flip-Up
2	BH-9755-21	FJ671-2	Adapter Low Step
3	BH-9755-22	FJ671-3	Adapter Pin
4	BH-9755-26	FJ671-6	Hog Ring Clips
5	call for details	T120025	Inner Arm Tube
6	BH-9755-25L	FJ79-6	Adapter Swivel Pin

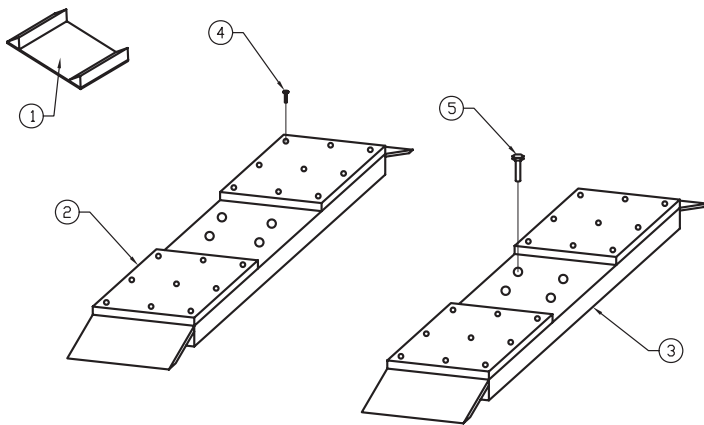
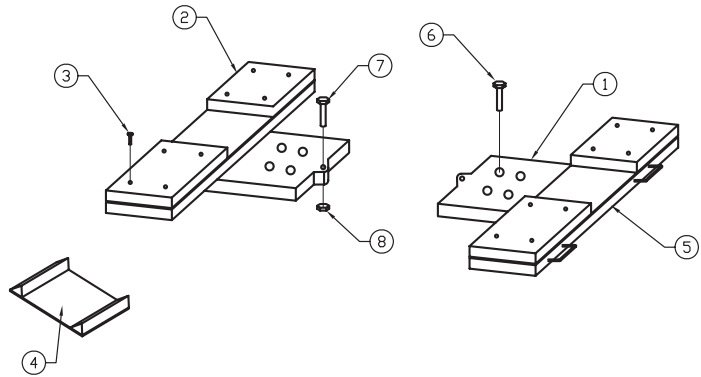


Model SL28

Adjustable Pad Superstructure Parts List

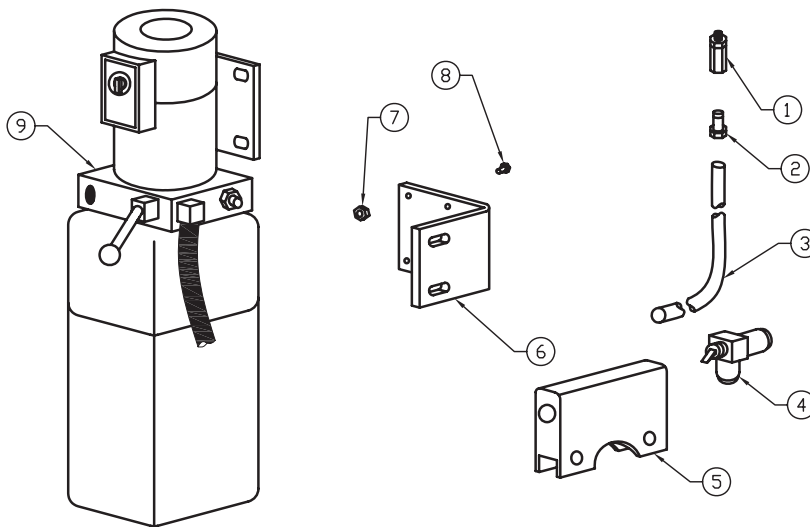
Item	SVI Part #	OEM#	Req	Description
1*	BH-9785-47	T120026		Yoke
2	BH-7502-12	FJ2177-2		Rubber Pad
3		41351	8	1/2" x 1" SD812BS Blind Pop Rivets
4	BH-9701	FF729	1	15" Wide Reach Wheel Spotter
	BH-9702		1	15" Wide Reach Dual Spotter
5		FJ2193		Pad and Support Assembly
6		40474	8	7/8"-9 x 2-1/2" Soc. FLF'Sunk Hd. CS
7	F-HC-0375-16-0625	40155	2	3/8"-16NC x 5/8" HHCS
8	F-HN-0375-16	40660	2	3/8"-16NC Hex Nut

* Custom Order By Request. Sample may be needed.



Fixed Pad Superstructure Parts List

Item	SVI Part #	OEM#	Description
1	BH-9701	FF729	1 15" Wide Reach Wheel Spotter
	BH-9702		1 15" Wide Reach Dual Spotter
2	BH-7505-11A	FJ2252-5	Rubber Pad
3	call for details	T110015	Pad Assembly
4	call for details	41351	1/2" x 1" SD812BS Blind Pop Rivets (6 Required / Pad)
5	call for details	40474	7/8"-9x2-1/2"Soc.FLF'SunkHd.CS (8 Required)

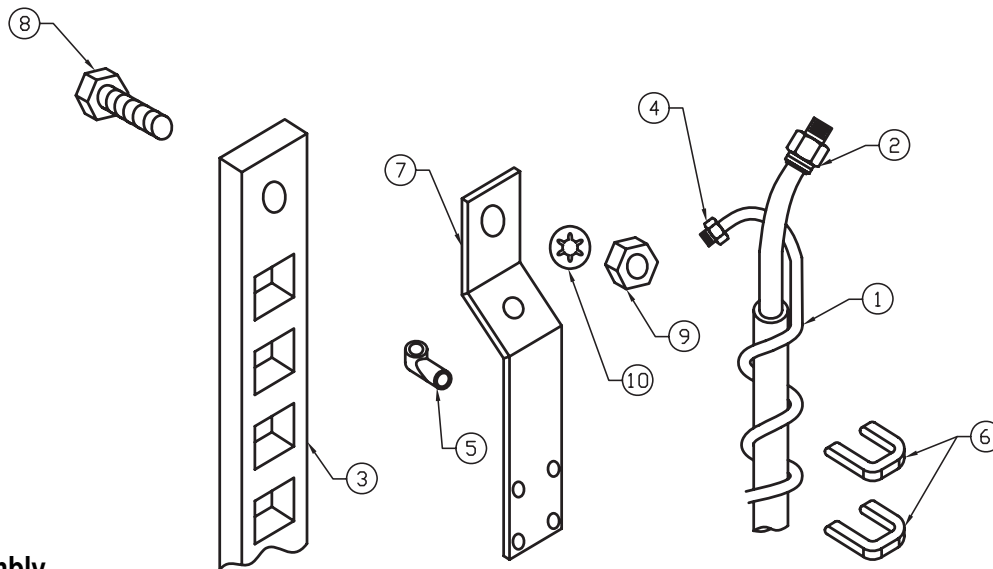


Air Valve/Power Unit Parts List

Item	SVI Part #	OEM#	Description
1	BH-7514-09	FA3134-12	Filter Air Line
2	call for details		1/4" Push-In 1/4" NPT Fitting
3	BH-7515-04	FA2273-4	1/4" Tubing
4	BH-7515-02	FA2273-3	Air Valve
5	BH-7514-11	FA3134-3	Air Valve Bracket

Item	SVI Part #	OEM#	Description
6	BH-7507-08	FA2230-17	Control Assembly Bracket
7	call for details	40678	5/16"-18NC Nut
8	call for details	40225	5/16"-18NC x 1/2" Lg. HSBHCS

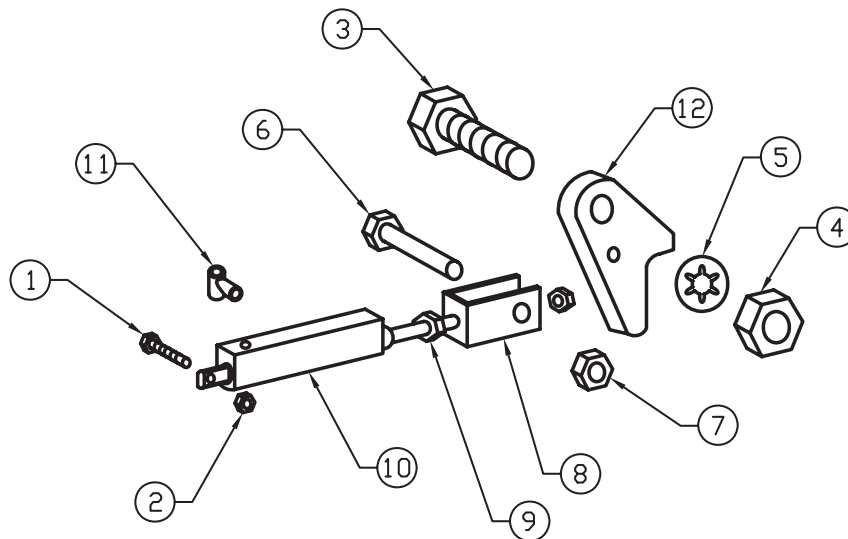
Model SL28



Equalizer Assembly

Item	SVI Part #	OEM#	Description
1	F-HC-0250-20-1250	40115	1/4"-20NC x 1-1/4" Lg. HHCS
2	F-LN-0250-20	40642	1/4"*20NC Hex Nylon Insert Lock Nut
3	F-HC-0750-10-4500	40457	3/4"-10NC x 4-1/2" Lg. HHCS
4	BH-7520-53	40760	3/4"-10NC Hex Nut
5	F-ETLW-0750	40995	3/4" Ext. Tooth Lock Washer
6	F-HC-0250-20-1500	40110	1/4"-20NC x 1-1/2" Lg. HHCS
7	F-LN-0250-20	41423	1/4"-20NC Hex Lock Nut

Item	SVI Part #	OEM#	Description
8	BH-9785-75	T130014	Clevis
9	F-HN-0250-28	40648	1/4"-28NF Hex Nut
10	BH-7517-29	FC5309-3	Air Cylinder
11	BH-9775-50	FA299-12	Street Elbow
12	BH-9785-76	T130015	Locking Latch





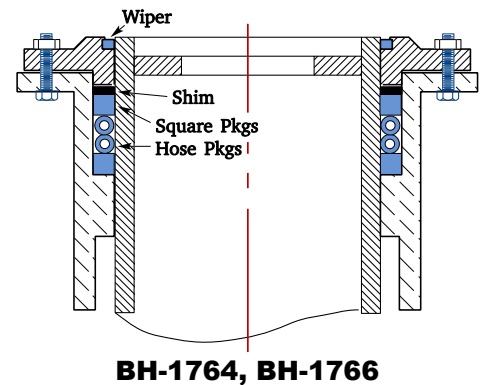
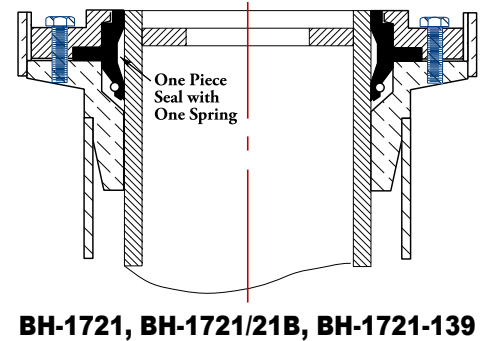
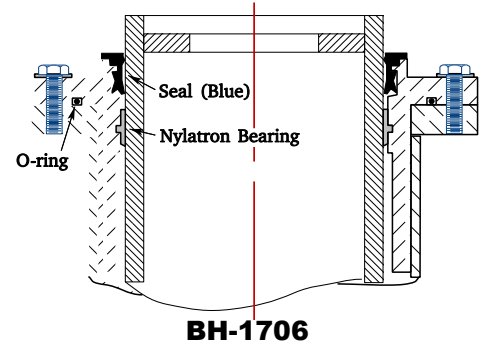
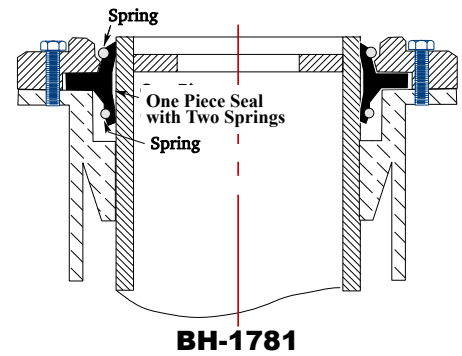
Hydraulic and Air Line Connection

Item	SVI Part #	OEM#	Description
1	BH-9786-01	T140030	Air Coil Hose
2	BH-9785-88	T140013	Hydraulic Hose
3	call for details	T130001	Locking Latch Bar
4	BH-7518-97	FC147-1	Brass Anchor Connector
5	call for details	AQ69PS	90° Elbow







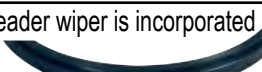
Item	SVI Part #	OEM#	Description
6	BH-9786-05	T140031	U-Bolt w/ 1/4-20 Hex Nuts
7	BH-9785-81	T130093	Hose Rod Support
8	F-HC-0875-09-3000	40497	7/8"-9NC x 3" Lg. HHCS
9	BH-7520-56	40765	7/8"-9 Hex Nut
10	F-ETLW-0875	41070	7/8" Ext. Lock Washer

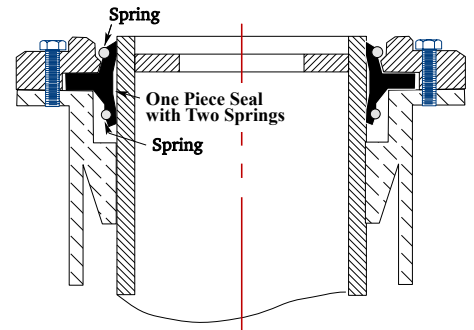
Lift Packing Quick Reference

SVI #	OEM Ref #	Description and OEM Lift Model Numbers
For 7-1/2" Plungers		
BH-1777	JF218	For Front Jack on 710MLS. For Serial Numbers JF19 thru JF122. Must use JF34 O-ring. 
BH-9756-11	JF611	Packing Gland
For 8-1/2" Plungers		
BH-1706 	JG227	New style Blue lip seal with o'ring spreader. For Models DTO28H, WABU28H, PT20H, WRP90, DTRP28H, RBU66H, AP50H & E, front post on AC60H & E, 710MLS. For serial numbers ending JG188, JG189, JG191 and above. Manufactured since September 1988.
BH-1721 	JG220	Double lip seal with one spring and metal insert. For Models 29ML, FP28H, DTO28H, PT20H, DTRP28H, WABU28H, WRP90, AP50H & E, front post on AC60H & E. For serial numbers ending JG149 through JG187, plus JG190. Manufactured from August 1966 to August 1988.
BH-1721/21B 	J136	JG220 seal kit plus JG620 gland and JX207 manual bleeder in a complete combo kit. Used when converting from the old style square packing and hose style kit to the BH-1721 single spring style kit.
BH-1721-139	J139	JG220 seal kit plus JG620 gland, JX207 manual bleeder, JG36 spacer ring in a complete combo kit. Used when converting from the double lip seal with two springs (BH-1781) to the BH-1721 single spring style kit.
BH-1721B	JG620	Aluminum Packing Gland for BH-1721 style seal.
BH-1781 	JG218	Older style double lip seal with two springs for models 28ML & MLS, SE8, 29ML and the 8-1/2" jack of 810ML & MLS, 811ML, 78SF & ML, FP8, VW4A & H, FP6, FP28A & H, FP7A & 5A, AP50H & E and the front jack on AC60H & E. For jack serial numbers ending JG128 through JG148 manufactured between 1954 and 1966.
BH-1766	JK223 (8-1/2")	Square packing and hose style packings for above listed models. For jack serial numbers ending JG118 through JG127 manufactured between 1952 and 1953.
BH-1764	JK220 (8-1/2")	Square packing and hose style packings for models 508 For jack serial numbers C100 through C4241 and M1 through M2468.

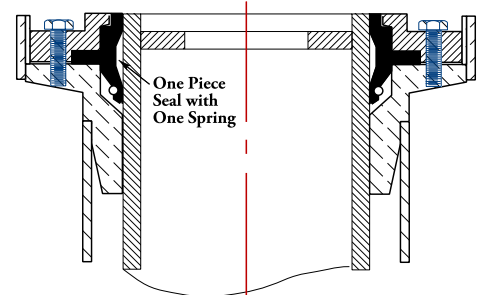


Lift Packing Quick Reference

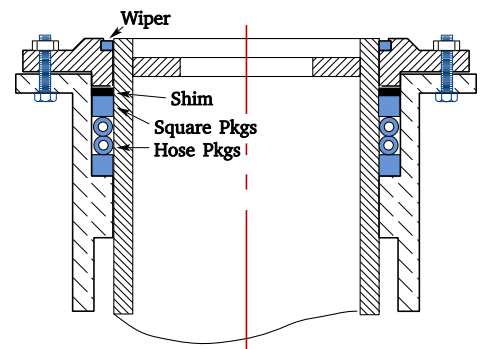
SVI #	OEM Ref #	Description and OEM Lift Model Numbers
For 10-5/8" Plungers		
BH-1799 	JK227	New style double lip seal with one spring and metal insert. For Models 10AF & HF, 20, 31 & 35AR & HR, T110A & H, T210A & H, T210DS, FP10, 11, 12A & H, FP45 and 46 A & H, FP36, VW5A & H, VF5A & H, DY10A & H, DRT10A & H, WABU10A & H, PF10A & H, AT70 H & E, AT703E, 10-5/8" plungers on AT10210E, AT10210DSE; the rear jack only on AC60 H & E, 810ML, 810MLS, 811ML, 710MLS; the front jack only on AT1012E and AT1012DSE. For Jack serial numbers ending JK1113 and above manufactured from August 1966 to present.
BH-1799/99B 	J134	JK227 seal plus JK622 gland and JX207 manual bleeder in a complete combo kit. Used when converting from earlier versions to the current BH-1799 style packing kit.
BH-1799B	JK622	Aluminum Packing Gland for BH-1799 style seal. 
BH-1767 	JK225	Older style double lip seal with two springs for models listed above. For Jack serial numbers ending JK158 through JK1112, manufactured from 1954 to September 1966.
BH-1766	JK223 (10-5/8")	Square packing and hose style packings for above listed models. For Jack serial numbers ending JK135 through JK157 manufactured between 1952 and 1953.
BH-1765 	JK221	Square packing and hose style packings for above listed models. For Jack serial numbers ending JK124 through JK134, also numbers preceded by W or ending W5-W8.
BH-1774-CA 	ACS-1580	Used on older style Rotary/Dover lift, primarily in Canada. The kit includes (4) chevron packings, wiper and gasket. Used on models FP-47A & H with serial numbers W-1029 through W-2489.
BH-9762-81 	JK238	New Style - Lip seal w/ o-ring spreader wiper is incorporated in the seal.




BH-1767, BH-1708



BH-1799, BH-1799/99B



BH-1765, BH-1766

For 12-5/8" Plungers		
BH-1708 	JL220	Double lip seal with two springs for all 12-5/8" truck and bus lifts. Model numbers T112, T212, T212DS, LS and rear jack only for T1012, AT1012E, AT1012DSE. For Jack serial numbers ending JL134 and above. On jack serial numbers prior to JL134 please order one BH-9771-01 gland ring with the seal to convert from the old style to the current version.



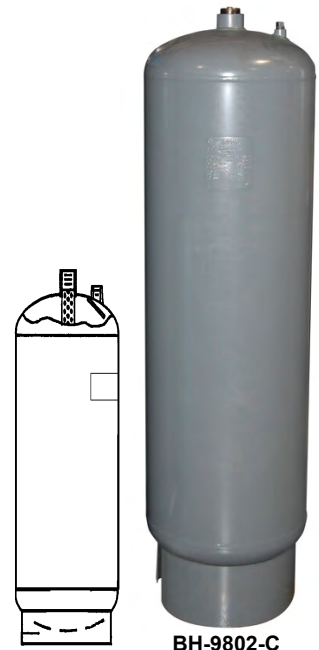
Air/Oil Tanks

Add "FG" to part number for Fiberglass Coating

Tank Dimensions					
SVI Tank #	Ref. OEM Tank #	Gal. Capacity	Overall Width	Overall Height	Used on Lift Models
BH-9801-C	FA125	36	14"	57"	FP46H, PF10H, DRT10H, All single Post lifts
BH-9802-C	FA123	42	16"	52-1/2"	DTO28H, 28HR, PT20H, All Side by Side Lifts
BH-9803-C	FA128	52	14"	85"	AC60H
BH-9804-C	FA126	62	16"	75"	AT70H, T210 Series, 710MLS
BH-9805-C	FA127	47	14"	73"	AP50H, AP52H
BH-9806-C	FA129	82	20"	65"	T212H, T212LS, T212DS, AT1012H

Fiberglass available. For Fiberglass Tanks, change suffix "-C" to "-FGC"; Example: BH-9801-FGC

BH-9810	FA123-8			Low Oil Control Float 1/4"-20
BH-9810-01				Low Oil Control Float Eye Hook 1/4"-20

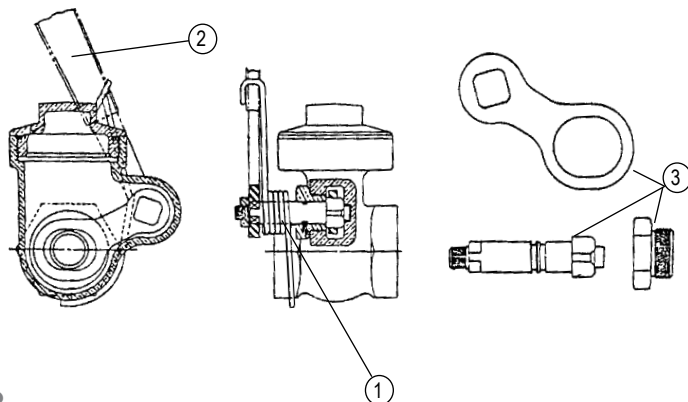


BH-9802-C Pictured



Oil Control Valve

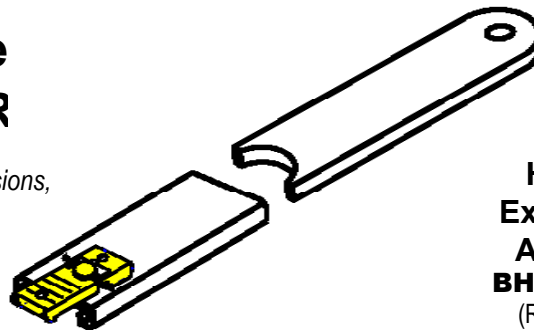
for Full Hydraulic Single Post and Two Post Side by Side Lifts



Item	SVI #	OEM #	Qty	Description
	FK-848	FA369	1	McDonald Oil Control Valve
1	FK-848-09	FA369-5	1	Spring and Nylon Disc
2	FK-848-10	FA369-10	1	Handle
3	FK-848-04		1	Repair Kit
		FA369-8	1	Stem
		FA369-7	2	Stem O-Rings
		FA369-4	1	Lever
		FA369-6	1	O'ring Retainer
			1	Cap O-Ring

In-Ground Superstructure Identification and Cross R

See beginning of this catalog for adapters, height extensions, and a variety of sleeve / adapter assemblies.



Height Extension Adapter
BH-9755-50
(Ref FJ696)



Kits Include both Short and Long Swivel Pins—
Varies Per Application.



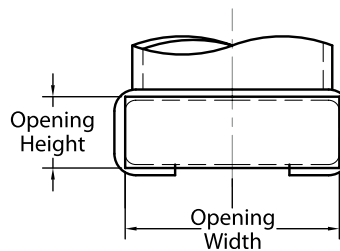
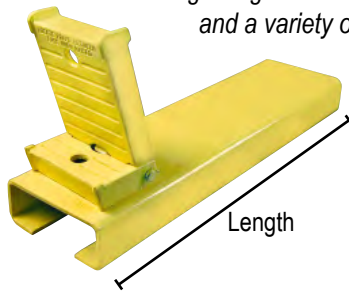
Flip-Up Adapter Repair Kits for Rotary Lifts

SVI Part #	Ref #	Description / Details
BH-9755-36	FJ671-7	Adapter Repair Kit for 4 Arms
BH-9755-36-1	FJ671-8	Adapter Repair Kit for 1 Arm
BH-9755-20	FJ671-1	High Step Ductile Iron Adapter
BH-9755-21	FJ671-2	Low Step Ductile Iron Adapter
BH-9755-22	FJ671-3	Adapter Pivot Pin
BH-9755-25	FJ671-5	Adapter Swivel Pin (Short) for In-Ground Applications
BH-9755-25L	FJ79-6	Adapter Swivel Pin (Long) for Surface Mount Applications
BH-9755-26	FJ671-6	3/32" Hog Ring

Sleeve and Adapter Assemblies are Available in Various Sizes / Lengths. Contact SVI today!

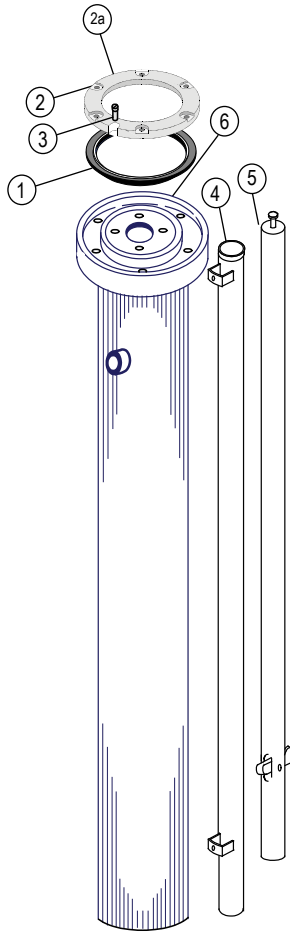
Sleeve and Adapter Assemblies

See beginning of this catalog for adapters, height extensions, and a variety of sleeve / adapter assemblies.



NOMINAL DIMENSIONS

SVI Part #	Ref. OEM Part #	Length	Inner Height	Inner Width	Description	Qty Req. Per Lift
BH-9755-19	FJ671	19"	1-19/32"	6-1/4"	Sleeve/Adapter Assembly for Old Style front only DTO28H Also used on Single Post FP46A & H	2 4
BH-9755-27	FJ672	23-5/16"	1-19/32"	6-1/4"	Sleeve/Adapter Assembly for Old Style Rear only DTO28H	2
BH-9755-28	FJ679	16"	1-19/32"	6-1/4"	Obsolete Style Sleeve/Adapter Assembly	4
BH-9755-29	FJ680	14-11/16"	1-1/8"	6-3/8"	Obsolete Style Sleeve/Adapter Assembly	4
BH-9755-30	FJ681	13-5/8"	1-5/8"	8-3/8"	Obsolete Style Sleeve/Adapter Assembly	4
BH-9755-31	FJ6102	21"	1-27/32"	5-1/4"	Sleeve/Adapter Assembly for front Arms WRP90	2
BH-9755-32	FJ6103	26"	1-27/32"	5-1/4"	Sleeve/Adapter Assembly for Rear Arms WRP90	2
BH-9755-33	FJ678	14-1/2"	1-7/8"	6-1/8"	Sleeve/Adapter Assembly Rounded Corner Style	4
BH-9760-23	FJ693	24"	1-27/32"	5-1/4"	Sleeve/Adapter Assembly for Current Style Rear only DTO28H	2
BH-9760-25	FJ692	19"	1-27/32"	5-1/4"	Sleeve/Adapter Assembly for Current Style Front only DTO28H Also used on current style Single Post FP46A & H	2 4
BH-9755-36					Flip-Up Adapter Repair Kit for 4 Arms	1
BH-9755-36-1					Flip-Up Adapter Repair Kit for 1 Arm	4
BH-9789-98					Rubber Pad Adapter for Flip-Up	4



For all 10-5/8" Single Post Lifts FP46A & H, DRT10A & H, PF10A & H

Item	SVI #	Ref. OEM #	Req	Description
1	BH-1799	JK227	1	New Style Single Spring Hoist Pkg. Kit
1	BH-1767	JK225	1	Old Style Double Spring Packing Kit
1	BH-9762-81	JK-238	1	Seal & Wiper
2	BH-1799B	JK622	1	Aluminum Packing Gland
2a	BH-9762-02	JK629	1	10-5/8 Upper Bearing Repair Kit
3	FK-60-125	JX207	1	Bleeder Plug
1-3	BH-1799/99B	J134	1	Packing/Gland/Bleeder Combo Kit
4	BH-LC-01	FA2158	1	Safety Leg Outer Casing
5	BH-EL-66	FA2107	1	Non-Rotator/Safety Leg
5	BH-TR-66	FA2111	opt	Top Release Non-Rotator
	BH-9780-73	FA73	1	Low Oil Control for Semi-Hydraulic Lifts
6	BH-9780-02	JK478	1	Plunger (Full Hydraulic Only)

For Plungers and Casings not shown please call SVI for details.

Note: Replacement Equalizer Frames come complete with either Slider Blocks or Roller Bearings and Latch Kit.

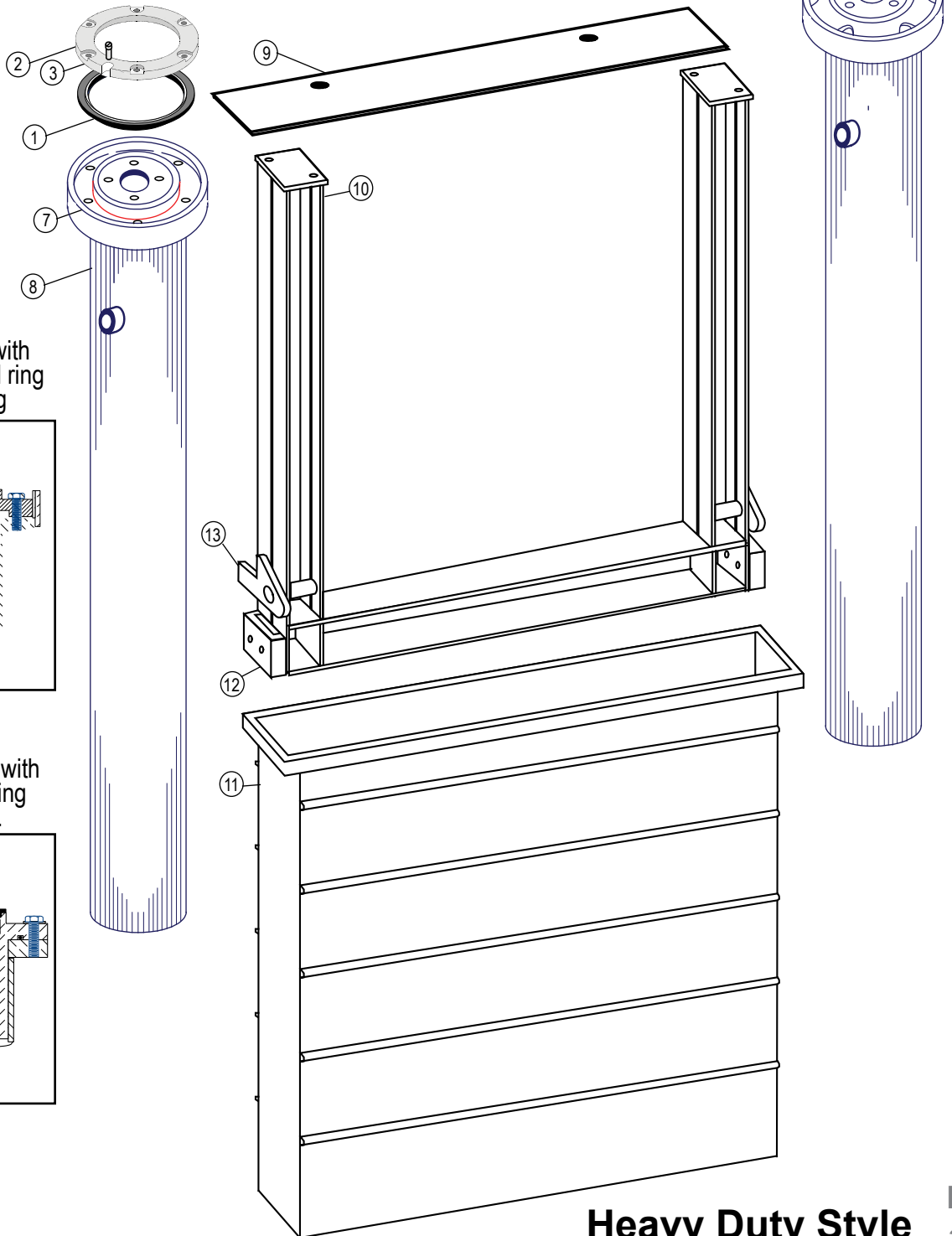
For DTO28H Side by Side Twin Post Lifts 8-1/2" Plungers Parts Breakdown

Item	SVI #	OEM Ref. #	Req	Description
1	BH-1721	JG220	2	Hoist Packing Kit
2	BH-1721B	JG620	2	Aluminum Packing Gland
3	FK-60-125	JX207	2	Bleeder Plug
1-3	BH-1721/21B	J136	2	Packing/Gland Combo Kit
4	BH-1706	JG227	2	New Style Hoist Pkg. Kit
5	BH-9761-04	JG766-6	4	Nylatron Bearing
4-6	BH-9762-01	JG629	Opt	Retrofit Upper Bearing Kit
7	BH-9760-12	JG445	2	Plunger Assy. New Style
7	BH-9760-11	JG436	2	Plunger Assy. Old Style
8	BH-9760-10	JG744	2	Casings (Old Style) JG153

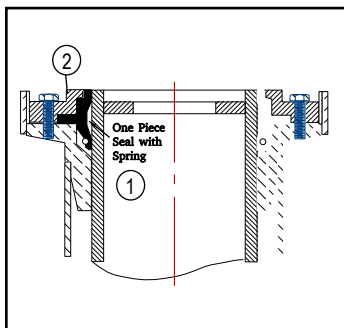
Item	SVI #	OEM Ref. #	Req	Description
9	BH-9760-07	FJ38-11	1	Center Cover
10	BH-9760-05	FJ37	1	Equalizer Frame (Slider Blk)
10	BH-9760-05R	FJ37R	1	Equalizer Frame (Roller Brg)
	BH-9760-03 *	FJ37-40	2	Eq. Roller Assembly Kit
11	BH-9760-06 *	FJ38	1	57-1/2" Equalizer Box
11	BH-9760-06R *	FJ311	1	Roller Style Equalizer Box
12	BH-9760-02	FJ321-5	2	Slider Block
13	BH-9760-01	FA279	1	Latch Repair Kit

* These components are available with Fiberglass Protection. Please add "FG" to the end of the part number.

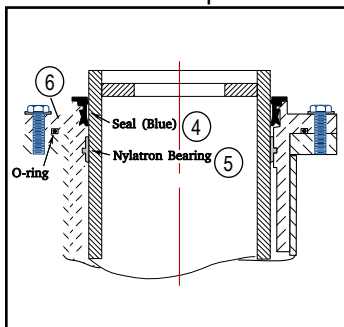
For DTO28H Side by Side Twin Post Lifts 8-1/2" Plungers



Babbit Bearing Style with
six bolt aluminum gland ring
plus seal with spring



Nylatron Bearing Style with
one piece upper bearing
and loaded lip seal.



Heavy Duty Style Equalizer Box

DTO28 Rack and Pinion Equalizer Kits

SVI worked carefully with a distributor to design a system to extend the service life of DTO28 lifts produced by Rotary. Problems start when floor cleaners and moisture cause the equalizer box to corrode. This results in backfill pouring through the rusted openings and interfering with the equalizer operation, thus hanging the lift up.

In the past, there were only three ways to deal with the problem. You either excavate and replace the corroded box at great cost, scoop out the backfill every so often or condemn the lift. This is over with SVI's new **Drop-In Rack and Pinion Equalizer Assembly for DTO lifts.**

Order BH-9760-09 Kit for 4" Wide Box

BH-9760-09AL Drop-In Auto Lock for Equalizer Assembly

BH-9760-10 Kit for 4-3/4" Wide Box

Installation is a breeze:

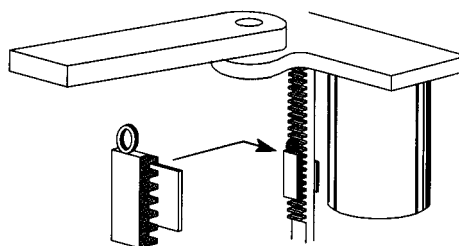
- 1) Remove the old equalizer frame.
- 2) Clean out the bottom of the box at the ends so rack guides fit to the bottom.
- 3) Assemble the new rack bar guide tubes to cross supports, drop in the opening and square up.
- 4) Assemble the pinion housing and shaft assembly, set in box and line up with the guide tubes.
- 5) Drill (20) 3/8" holes in the concrete using the pinion housing as a template and bolt housing down using the anchors supplied. **Note:** make sure rack bars mate properly with pinions and fit easily through the housing before drilling and bolting.
- 6) Install rack bars making sure each starts with the same tooth and bolt to bolster. You may need to elongate the bolt hole in the bolster with a torch so the rack movement is perpendicular to the plunger.
- 7) Show your customer how good the lift works again and accept thanks for solving the problem.

New system includes:
 rack bars, pinion gears, shaft, brackets, center cover, guide tubes, manual placement locks and fasteners.



Existing Equalizer Box

Manual Style Rack Bar Locks

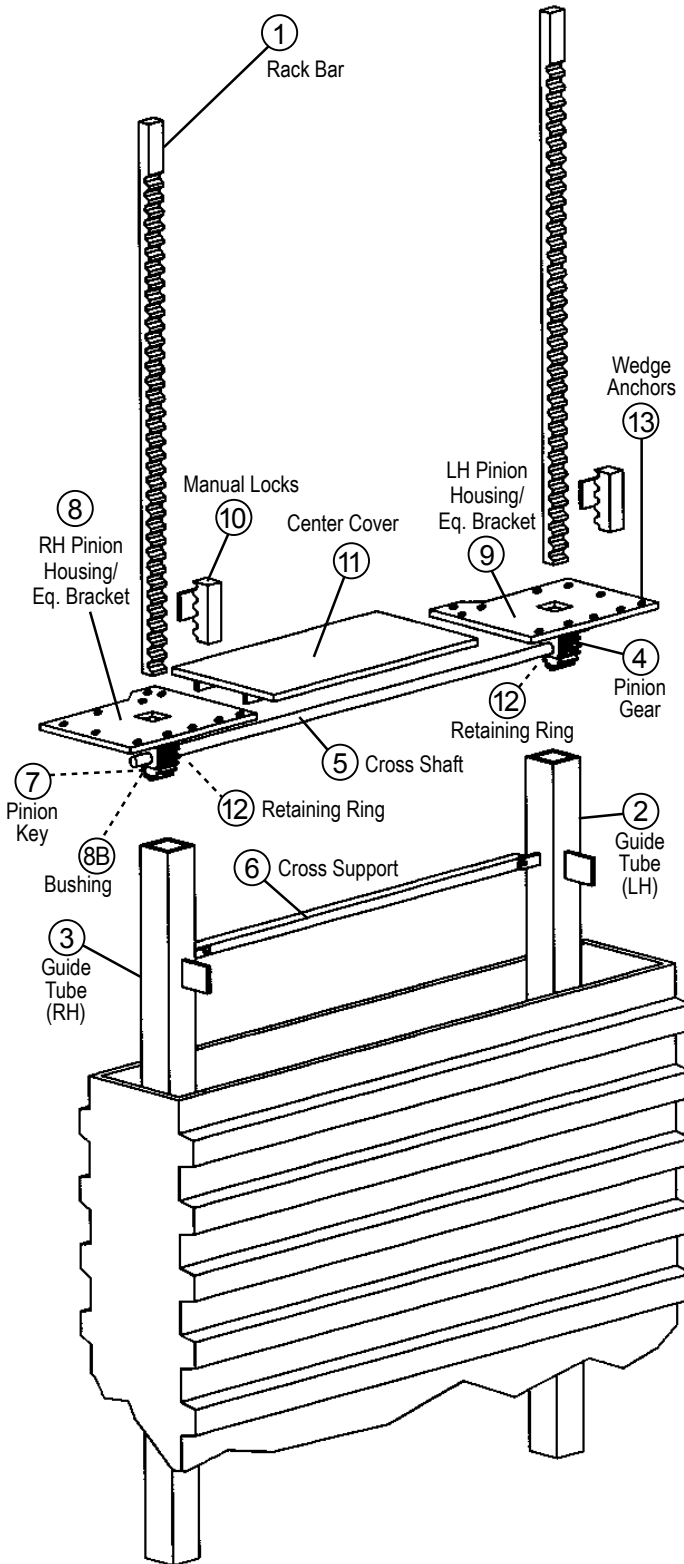


Order: BH-9612ML
Fits Rack Bar:
 BH-9612

Manual Rack Bar Lock For:
 Side-by-Side Lifts
 w/ Square Rack Bar

Detailed Instructions are included with each kit.
 (Instruction Sheet: BH-9760-09S)

Drop In Rack and Pinion Equalizer Upgrade for DTO28 Lifts



BH-9760-09

For 4" Wide Box

BH-9760-10

For 4-3/4" Wide Box

BH-9760-09AL

Auto Lock For 4" Wide Box

Item	SVI Part #	Qty.	Description / (Kit Specified)
1	BH-9760-10R	2	Rack Bar
2	BH-9760-10XE	1	LH Guide Tube (BH-9760-09)
	BH-9760-10XE	1	LH Guide Tube (BH-9760-09AL)
	BH-9760-10E	1	LH Guide Tube (BH-9760-10)
3	BH-9760-10XH	1	RH Guide Tube (BH-9760-09)
	BH-9760-10XH	1	RH Guide Tube (BH-9760-09AL)
	BH-9760-10H	1	RH Guide Tube (BH-9760-10)
4	BH-9112	2	Pinion Gear
5	BH-9760-10C	1	Cross Shaft for Equalizer
6	BH-9760-10J	2	Cross Supports
7	BH-9614-06	2	Equalizer Pinion Key
8	BH-9760-10XB	1	RH Pinion Housing / Eq. Bracket
	BH-9760-10LOC	1	RH Eq. Bracket (BH-9760-09AL)
8B	Replacement Part: (included in original complete items 8 and 9)		
	BH-9760-09B	4	Bushing for Equalizer Bracket
9	BH-9760-10XA	1	LH Pinion Housing / Eq. Bracket
	BH-9760-10PIA-C	1	LH Eq. Bracket with Lock (BH-9760-09AL)
10	BH-9611ML	1	Any Position Manual Locks (Pair) (BH-9760-09 and BH-9760-10)
11	BH-9760-10XG	1	Center Cover (BH-9760-09 / -09AL)
	BH-9760-10G	1	Center Cover (BH-9760-10)
12	BH-9614-05	2	Retaining Rings
13	F-WA-0375-3750	20	3/8" x 3-3/4" Wedge Anchors
14	BH-7512-90B		Shims (1/16") Pack of 20

Parts/Hardware Not Pictured:

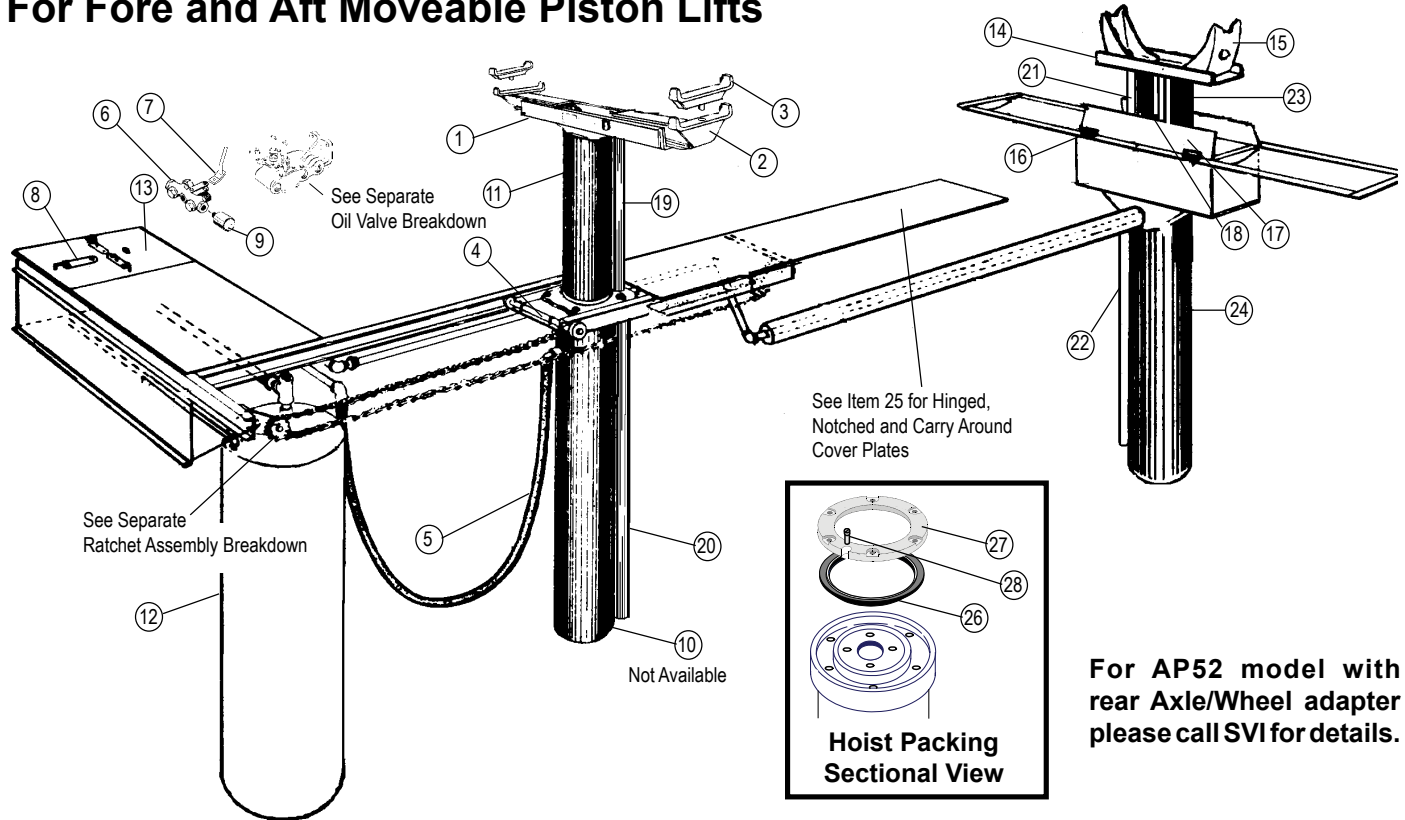
F-HC-0375-16-1000	4	3/8"-16 x 1" Hex Head Capscrews
F-HN-0375-16	4	3/8"-16 Hex Nuts
F-HC-0500-13-2500	2	1/2"-13 x 2-1/2" Hex Head Capscrews
F-LW-0500	2	1/2" Lockwashers
BH-9620-37	1	Adpt Adjusting Handle (BH-9760-09AL)



14 Shim (1/16")



For Fore and Aft Moveable Piston Lifts



For Rotary models AP50, with (2) 8-1/2" Cylinders

Item	SVI #	OEM #	Req	Description
1	BH-9755-53	FF241	1	Front Saddle
2	BH-9790-04	FF242	2	Front Sliding Adapter
3	BH-9790-03	FD246	2	Swivel Height Adapter
4	BH-9663-11	FF43	2	Axle Assembly
4	BH-9765-01	FF40-11	4	Axle U Bolt
5	BH-9815	FF55	1	Hydraulic Hose
6	FK-302-500	FA378	1	Air Valve Body
7	BH-9755-01	FA378-1	1	Cam & Stem Assy
8	BH-9755-02	FF512	2-3	Control Valve Handle
9	BH-9640	FA515	1	1/2" NPT Metal Air Valve Muffler
11	BH-9770-50	JG437	1	Front Plunger (Jack # Required)
12	BH-9805-T	FA137	1	Tank (Top Outlet)
13	BH-9770-04	FF637-7	1	Control Box Cover Plate
14	BH-9790-07	FF234	1	Rear Saddle
15	BH-9790-06	FF202-2	2	Rear Adapter
16	BH-9770-01A	FF634-7	4	Door Retainer/Hinge

Item	SVI #	OEM #	Req	Description
17	BH-9770-03	FF634-4	2	Rear Housing Door
18	BH-9770-02	FF634-9	2	Door Rub Bar
	BH-9770-02K	FF634-30		Rub Bar Kit
19	BH-TR-66	FA2107	1	Front Safety Leg
20	BH-9770-62	FA2162	1	Front Safety Leg Casing
21	BH-TR-75	FA2143	1	Rear Safety Leg
22	BH-9770-58	FA2158	1	Rear Safety Leg Casing
23	BH-9760-11	JG436	1	Rear Plunger (Jack # Required)
25**	call for details	FF673	1	Notched Cover Plate
25**	call for details	FF619-3	1	Hinged Cover Plate
25**	call for details	FF672	1	Rear Cover Plate
26*	BH-1721	JG220	2	Hoist Pkg. Single Spring
27	BH-1721B	JG620	2	Aluminum Packing Gland
28	FK-60-125	JX207	2	Bleeder Valve
26-28	BH-1721/21B	J136	2	Packing/Gland Combo Kit

* For New Style Blue Seal version, order BH-1706 (OEM Ref # JG227)

** Size Needed for Cover Plates. Sample or drawing may be required.

Standard and Custom Saddles and Adapters are Available. Call today!

P
a
g
e



BH-9663-11



For Rotary models AC60 with Front 8-1/2" Cylinder, Rear 10-5/8" Cylinder

Item	SVI #	OEM #	Req	Description
1	BH-9755-53	FF241	1	Front Saddle
SVI has both standard and custom saddles and adapters. Call today.				
2	BH-9790-04	FF242	2	Front Sliding Adapter
3	BH-9790-03	FD246	2	Swivel Height Adapter
4	BH-9663-11	FF43	2	Axle Assembly
4	BH-9765-01	FF40-11	4	Axle U Bolt
5	BH-9815	FF55	1	Hydraulic Hose
6	FK-302-500	FA378	1	Air Valve Body
7	BH-9755-01	FA378-1	1	Cam & Stem Assy
8	BH-9755-02	FF512	2-3	Control Valve Handle
9	BH-9640	FA515	1	1/2" NPT Metal Air Valve Muffler
11	BH-9770-50	JG437	1	Front Plunger (Jack # required)
12	BH-9803-T	FA138	1	Tank (Top Outlet)
13	BH-9770-04	FF637-7	1	Control Box Cover (Air/Oil)
13	BH-9770-09	FF637-8	1	Control Box Cover (Electric)
14	BH-9755-54	FD255	1	Rear Saddle
15	BH-9755-55	FD244	2	Rear Adapter
	BH-9755-55A	FD244		Rear Adapter 17" Tall Version
16	BH-9770-01A	FF634-7	4	Door Retainer/Hinge

Item	SVI #	OEM #	Req	Description
17	BH-9770-13	FD625-4	2	Rear Housing Door
18	BH-9770-02	FF634-9	2	Door Rub Bar
	BH-9770-02K	FF634-30		Rub Bar Kit
19	BH-TR-66	FA2107	1	Front Safety Leg
20	BH-9770-62	FA2162	1	Front Safety Leg Casing
21	BH-RO-70	FA265	1	Rear Safety Leg
22	BH-9770-60	FA2160	1	Rear Safety Leg Casing
23	BH-9780-02	JK478	1	Rear Plunger (Jack # Required)
25*	BH-9770-08	FF673	1	Notched Cover Plate
25*	BH-9770-07	FF619-3	1	Hinged Cover Plate
25*	BH-9770-06	FF672	1	Rear Cover Plate
26**	BH-1721	JG220	1	Front Pkg. Kit with Spring
26	BH-1799	JK227	1	Rear Hoist Packing Kit
27	BH-1721B	JG620	1	Front Packing Gland
27	BH-1799B	JK622	1	Rear Packing Gland
28	FK-60-125	JX207	2	Bleeder Valve

* Size Needed for Cover Plates. Sample or drawing may be required.
 ** For New Style Blue Seal on front cylinder see page 7 for breakdown. Order BH-1706. The O.E.M. reference number is JG227.



BH-9663-11

For Rotary Models AT70 with (2) 10-5/8" Cylinders

Item	SVI #	OEM #	Req	Description
1	BH-9755-52	FD282	1	Front Saddle
2	BH-9755-56	FD268	2	Front Sliding Adapter
3	For other Adapters and Height Extensions, please call SVI.			
4	BH-9765-59	FD79	2	Axle Assembly
4	BH-9663-15	FF70-23	3	Axle U Bolt
4	BH-9765-39	FD70-22	1	Chain Adjuster
5	BH-9816	FD93	1	Hydraulic Hose
6	FK-302-500	FA378	1	Air Valve Body
7	BH-9755-01	FA378-1	1	Cam & Stem Assy
8	BH-9755-02	FF512	2-3	Control Valve Handle
9	BH-9640	FA515	1	1/2" NPT Metal Air Valve Muffler
11	BH-9770-11	JK479	1	Front Plunger (Jack # Required)
12	BH-9804-T	FA136	1	Tank (Top Outlet)
13	BH-9770-26	FD6169	1	Control Box Cover (Air/Oil)
13	BH-9770-27	FD6170	1	Control Box Cover (Electric)
14	BH-9755-54	FD255	1	Rear Saddle

Item	SVI #	OEM #	Req	Description
15	BH-9755-55	FD244	2	Rear Adapter
	BH-9755-55A	FD244		Rear Adapter 17" Tall Version
16	BH-9770-01A	FF634-7	4	Door Retainer/Hinge
17	BH-9770-13	FD625-4	2	Rear Housing Door
18	BH-9770-02	FF634-9	2	Door Rub Bar
	BH-9770-02K	FF634-30		Rub Bar Kit
19	BH-RO-60	FA267	1	Front Safety Leg
20	BH-9770-15	FA290	1	Front Safety Leg Casing
21	BH-RO-70	FA265	1	Rear Safety Leg
22	BH-9770-60	FA2160	1	Rear Safety Leg Casing
23	BH-9780-02	JK478	1	Rear Plunger (Jack # Required)
23-24	BH-9770-14	JK1142	1	Rear Cylinder Assy. (FG)
25*	call for details	FD644	1	Front Cover Plate
25*	call for details	FD6178-2	1	Intermediate Cover Plate
25*	call for details	FD643	1	Rear Cover Plate
26	BH-1799	JK227	2	Hoist Packing Kit
27	BH-1799B	JK622	2	Aluminum Packing Gland
28	FK-60-125	JX207	2	Bleeder Valve

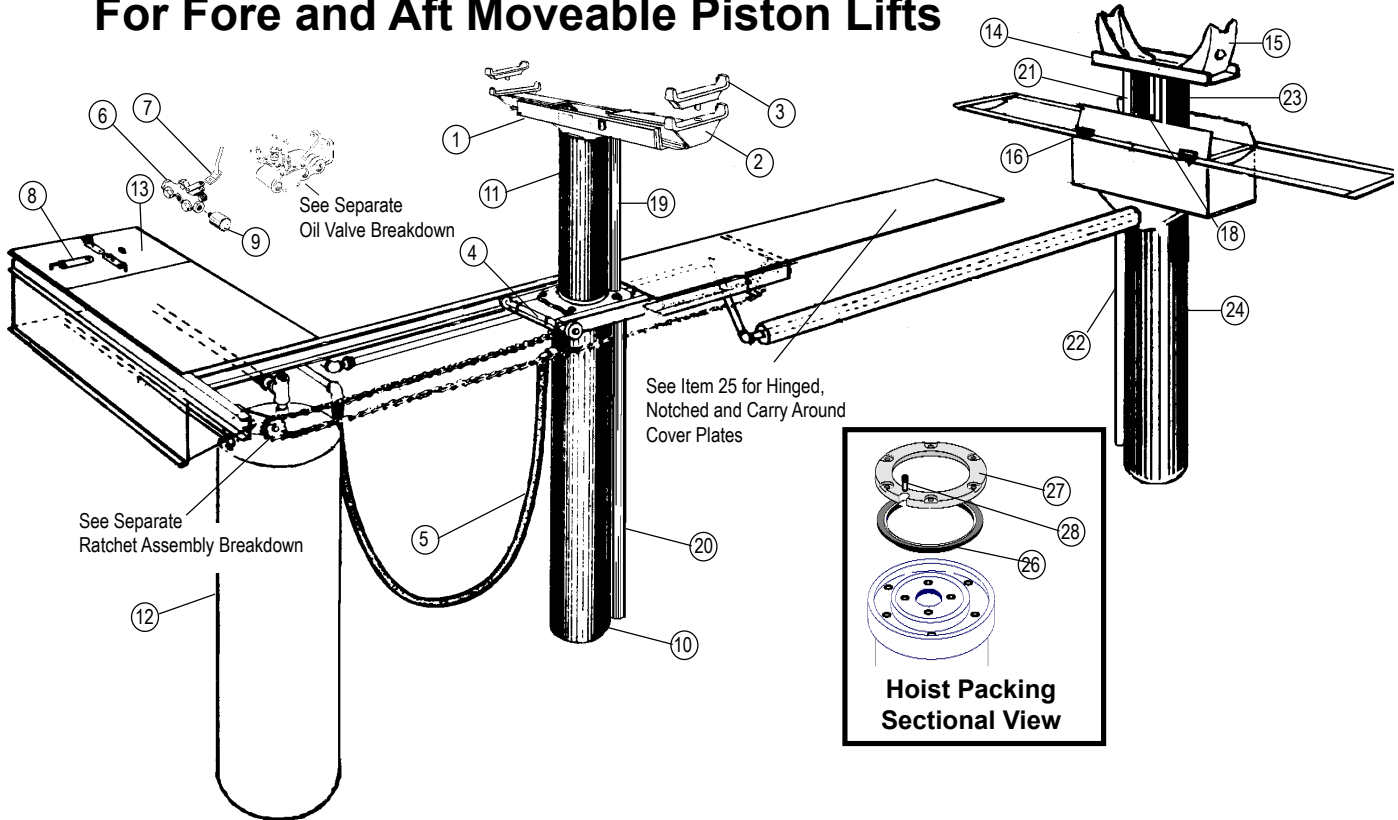
* Size Needed for Cover Plates. Sample or drawing may be required.

P
a
g
e

Standard and Custom Saddles and Adapters are Available. Call today!



For Fore and Aft Moveable Piston Lifts



For Rotary models AT1012 with 10-5/8" Front Cylinder and 12-5/8" Rear Cylinder

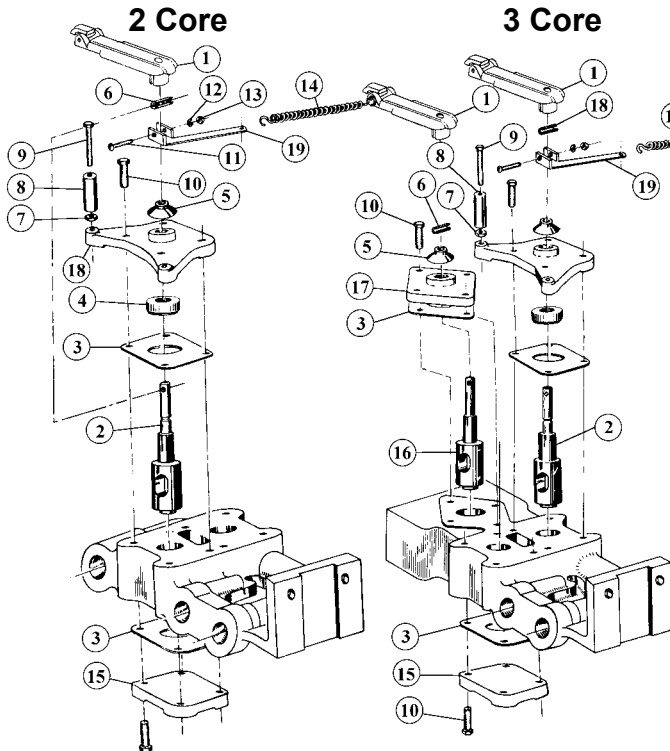
Item	SVI #	OEM #	Req	Description
1	BH-9755-52	FD282	1	Front Saddle
2	BH-9755-51	FD220	2	Front Adapter
3	For other Adapters and Height Extensions please call SVI			
4	BH-9765-59	FD79	2	Axle Assembly
4	BH-9663-15	FF70-23	3	Axle U Bolt
4	BH-9765-39	FD70-22	1	Chain Adjuster
5	BH-9816	FD93	1	Hydraulic Hose
6	FK-302-500	FA378	1	Air Valve Body
7	BH-9755-01	FA378-1	1	Cam & Stem Assy
8	BH-9755-02	FF512	2-3	Control Valve Handle
9	BH-9640	FA515	1	1/2" NPT Metal Air Valve Muffler
11*	BH-9770-11	JK479	1	Front Plunger (Jack # Required)
12	BH-9806-T	FA139	1	Tank (Top Outlet)
13	BH-9770-26	FD6169	1	Control Box Cover (Air/Oil)
13	BH-9770-27	FD6170	1	Control Box Cover (Electric)
14	BH-9755-57	FD272	1	Rear Saddle

Item	SVI #	OEM #	Req	Description
15	BH-9755-55	FD244	2	Rear Adapter
	BH-9755-55A	FD244		Rear Adapter 17" Tall Version
16	BH-9770-01A	FF634-7	4	Door Retainer / Hinge
18	BH-9770-02	FF634-9	2	Door Rub Bar
	BH-9770-02K	FF634-30		Rub Bar Kit
19	BH-RO-60	FA267	1	Front Safety Leg
20	BH-9770-15	FA290	1	Front Safety Leg Casing
21	BH-RO-70	FA265	1	Rear Safety Leg
22	BH-9770-60	FA2160	1	Rear Safety Leg Casing
23*	BH-9771-94	JL444	1	Rear Plunger
25**	BH-9770-24	FD644	1	Front Cover Plate
25**	BH-9770-25	FD6178-2	1	Intermediate Cover Plate
25**	BH-9770-23	FD643	1	Rear Cover Plate
26*	BH-1799	JK227	1	Front Hoist Packing 10-5/8"
26	BH-1708	JL220	1	Rear Hoist Packing 12-5/8"
27*	BH-1799B	JK622	1	Front Packing Gland
27*	BH-9771-01	JL612	1	Rear Packing Gland
28	FK-60-125	JX207	2	Bleeder Valve

* Jack Number Required

** Size Needed for Cover Plates. Sample or drawing may be required.

Oil Control Valves for Twin Post Moveable Piston Lifts



Complete Oil Control Valves

BH-9773-49 (Ref FA349) **Air-Hydraulic 2-Core**
Used on All Rotary Air-Hydraulic Twin Post Lifts
Regardless of Plunger Diameter.

MODELS: AP-50H, AP-5-HC, AP-52H, AP52HC, AC-60H, AC-60HC, AT-70H, AT-70HC, 52HC-120, AT1012DSH

Short Stem (2) **BH-9629*** Core Kits
(2) 1" Ports (one to each cylinder)
(1) 1-1/4" Port to Tank

BH-9773-50 (Ref FA350) **Electric-Hydraulic 3-Core**
Used on All Rotary Electric-Hydraulic Twin Post Lifts
Regardless of Plunger Diameter.

MODELS: AP-50E, AP-50EC, AP-52E, AP-52EC, AC-60E, AC-60EC, AT-70E, AT-70EC, 52C-120, 10210P, AT1012DSE, AT1212E, AT01210E, AT101210E, FM12, R12, R70C, R703C, R703P, R10210C, R10210DS, R10210P, RT1212E

Short Stem (2) **BH-9629***, (1) **BH-9631*** Core Kits
(2) 1" Ports (one to each cylinder)
(1) 1-1/4" Ports to Power Unit

*Aluminum Cores. Brass Core Kits are also available.

BH-9629B Short Stem Control Core Rebuild Kit (Brass)
BH-9631B Short Stem Feed Core Kit (Brass)

Item	SVI #	OEM #	Req	Description
1	BH-9755-02	FF512	2-3	Oil Valve Handle Only
2-6	BH-9629		2	Repair Kit for One Core
--	BH-9629B		2	Repair Kit for One Core (Brass)
3	BH-9634	FA349-4	4-6	Control Valve Gasket
4	BH-9635	FA349-3	2-3	Stem Seal
5	BH-9636	FA349-2	2-3	Packing Protector Cap
6	BH-9637		2-3	Roll Pin
7	BH-9629-29		1	Hex Nut
8	BH-9629-28	FA349-5	1	Swing Arm Stop Hose
9	F-HC-031-24-2250		1	Capscrew
10	F-HC-031-18-1000		7-11	Capscrew
11	F-MS-0010-24-1250		2	Machine Screw
12	F-LW-0187		2	Lockwasher
13	F-HN-0010-24		2	Hex Nut
14	BH-9633	FA349-6	2	Deadman Spring
15	BH-9629-35		2-3	Valve Cap
3-6,16	BH-9631		1	Repair Kit for Feed Core
--	BH-9631B		1	Repair Kit for Feed Core (Brass)
17	BH-9629-25	FA350-13	1	Flange
18	BH-9629-26	FA349-8	2	Flange
19	BH-9629-33	FA349-9	2	Spring Lever



Electric-Hydraulic 3-Core
BH-9773-50



Hydraulic Drive Valve
Order: **BH-9765-05**
(Ref FA3191BK)



Repair Kit for One Core
BH-9629
For Brass, Order:
BH-9629B



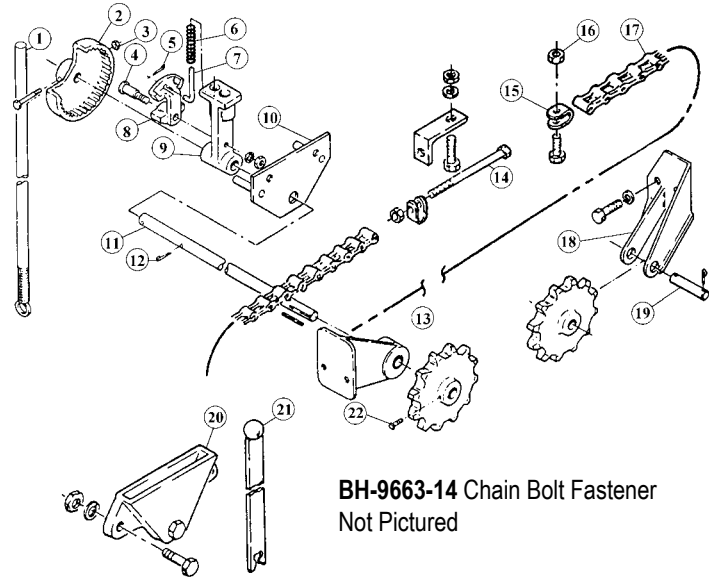
Valve Repacking Kit
BH-9773-66
(Ref FA350-30)



Manual Ratchet Assembly Components

FOR MODELS: AT70H, AT70E, AT1012H, AT1012E, AT10210C AT10210DS, AT10210P, AT10210Q

Item	SVI #	OEM #	Req	Description
2 & 8	BH-9664		1	Ratchet Wheel/Dog Kit
2-9	BH-9765-51		1	Ratchet Assembly Kit
1	BH-9665-32	FD70-19	1	Shift Lever
2	BH-9663-02	FD70-10	1	Wheel (1" hole)
3	F-HC-0312-18-2500		1	CapscREW
3	F-NL-0312-18		1	Nylon Hex Nut 5/16-18
4	BH-9665-05	FD70-9	1	Pin
4	F-HN-0375-16		1	Hex Nut 3/8-16
5	F-CP-093-500		1	Cotter Pin
6	BH-9665-09	FD70-7	1	Spring
7	BH-9665-10	FD70-6	1	Spring Guide Pin
8	BH-9665-11	FD70-8	1	Ratchet Dog
9	BH-9663-03	FD70-4	1	Ratchet Dog Lever
10	BH-9765-13	FD746-4	1	Hanger Plate
11	BH-9765-02	FD746-2	1	Ratchet Shaft 1"
11	BH-9772-01	FD746-3	1	Shaft Guide (not pictured)
12	F-CP-125-1000		1	Cotter Pin
13	BH-9765-03	FD746-1	1	Front Hanger Assembly
14	BH-9665-26		1	Adjusting Bolt
15	BH-9665-24		2	Chain Fastener
16	F-HN-0500-13		2	Hex Nut
17	BH-9665-13		1	26' Ratchet Chain
18	BH-9665-15		1	Hanger
19	BH-9665-23		1	Hanger Pin



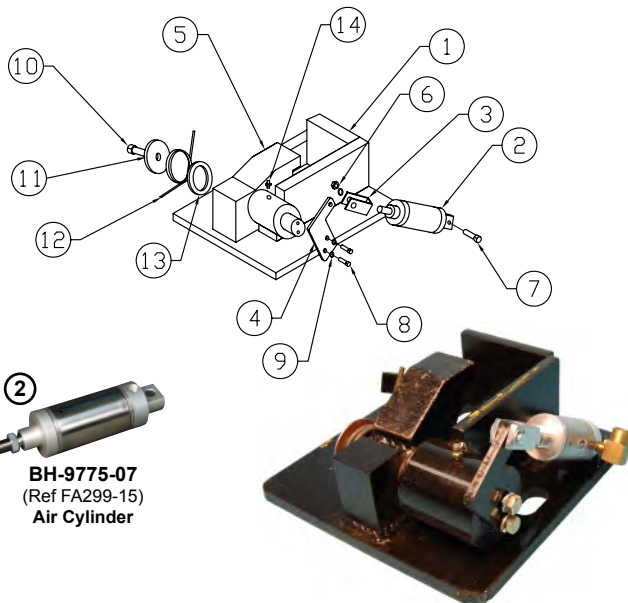
BH-9663-14 Chain Bolt Fastener Not Pictured

Item	SVI #	OEM #	Req	Description
20	BH-9665-31	FF621	1	Manual Shifting Bracket
21	BH-9665-16	FF620	1	Manual Shift Lever
22	BH-9665-30		2	Set Screw for Sprocket
23	BH-9765-04	FD70-11	2	Sprocket
24	BH-9665-25		1	Chain Anchor Lug
25	F-HC-0500-13-1250		1	Hex Head Cap Screw
26	F-LW-0500		1	Lockwasher

For Hydraulic Power Drive Ratchet System: Most of the above listed items are used on the Hydraulic Drive System as well. SVI also offers the control valve assembly for the hydraulic drive. Please order SVI part number BH-9765-05 which superseded O.E.M. reference number FD747-2

Air Operated Multi-Position Lift Lock and Struts

FOR MODELS: AT70H, AT70E, AT1012H, AT1012E, AC60H, AC60E, AP50, Front of AT10210C / AT10210DS / AT10210P / AT10210Q, FM12, R12, R70C, R703C, R703P, R703Q



Item	SVI Part #	OEM#	Req	Description
--	BH-9775-10	FA299		Complete Lock Assembly
1	BH-9775-01	FA299-1	1	Base Plate Weldment
2	BH-9775-07	FA299-15	1	Air Cylinder
	BH-9775-11	FA2106-10	1	Air Cylinder for AT-10210 Rear
3	BH-9775-03	FA2149-6	1	Clevis Assembly
4	BH-9775-04	FA299-16	1	Drive Arm Assembly
5	BH-9775-02	FA299-2	1	Dog & Shaft Assembly
6	F-HN-0375		1	3/8" Hex Nut
7	F-HC-0375-16-1750		1	3/8"-16NC HHCS x 1-3/4" Lg.
8	F-HC-0375-16-1000		2	3/8"-16NC HHCS x 1" Lg.
9	F-LW-0375		3	3/8" Lockwasher
10	F-HC-0500-13-0750		1	1/2"-13NC x 3/4" HHCS Plated
11	BH-9775-05	FA2106-3	1	Spring Retaining Washer
12	BH-9775-06	FA299-3	1	Spring
13	BH-9775-09		1	2.25" O.D. x 14 Ga. Bushing
14	BH-9775-18		1	Grease Fitting

SVI #	OEM Ref #	Description	Length
BH-9775-30	FA2100	Lift Lock Strut	69-1/4" Long
BH-9775-31	FA2105	Lift Lock Strut	80-1/2" Long
BH-9775-32	FA2127	Lift Lock Strut	75-3/4" Long
BH-9775-33	FA2128	Lift Lock Strut	84-3/4" Long
BH-9775-34	FA2132	Lift Lock Strut	80-1/2" Long

Modern Bearing Upgrade for Rotary



“outperformed everyone’s expectations”

Convert existing lead babbitt bearing style lifts over to SVI’s new modern seal design.

Now, new high performance polymer sealing components are combined with a specially designed gland/upper bearing offering long-term, leak-free sealing. These retrofit kits have been field tested and proven to address the leaking seal performance issues typically associated with some In-ground lifts.

Each repair kit includes a wiper, plunger seal, wear ring, o-ring, ATF spacer strips and a custom gland.

The leak stops here.

Increase the Reliability of In-Ground Lifts.



BH-9773-12
Upper Bearing Kit for Rotary
Pictured with wiper and ZLT seal installed

Zero Leak Technology Upgrade Program

ZLT™ is the perfect solution for:

- Transit Authorities
- Municipal Garages
- City Garages
- School Bus Garages
- Any in-ground Rotary lift in need of a leak-free solution!

- One-time custom Gland / Upper Bearing purchase gets the leaking stopped!
- Gland / Upper Bearing is precision machined.
- Wiper design incorporates a static seal ridge to prevent debris from entering through the back side of the wiper groove.
- Glass-filled nylon wear ring along with SVI exclusive Adjust-to-Fit spacer strips assures plunger stability and won't compression set or delaminate under side-load conditions.
- Plunger seal and wiper are made from proprietary 95D thermoset urethane, which is specially formulated for high abrasion and cut resistance, low compression set, and unlimited shelf life.
- Flange mounted o-ring designed to keep the static seal tight and prevent contamination from entering around the gland/upper bearing.

upgrade today. ask for ZLT™

Size	Rotary Models	SVI P/N (ZLT Seal Kit Only)	SVI P/N (ZLT Gland and Seals)
8-1/2"	DTO28, FP28, AC60, AP52	BH-9773-08SK	BH-9773-08
10-5/8"	FP46, AT70, AT1012, AT10210, AT101210, T110, T210, T1010	BH-9773-10SK	BH-9773-10
12-5/8"	AT1012, AT1212, T112, T212	BH-9773-12SK	BH-9773-12

Contact SVI for sealing applications on other makes and models!



Built-to-Last!

Additional gussets are used to strengthen the overall structure and where applicable, heavier steel plates are used to provide a solid product that is truly **built-to-last**.

12-5/8"
replacement
cylinder assemblies
 (see next page for details) **for Rotary**



- Heavy Duty Construction
- Totally Repairable
- Priced Right
- EnviroKote or Fiberglass Coating Available
- "Direct Fit" Replacement
- Complete Lifts are Also Available. Save Yourself and the Taxpayers Money! Let SVI Help You Bid Your Next Heavy Duty Lift Job
- Transit Specified
- Multiple or Advanced Single Lip Sealing Technology Available
- 16 to 32 RMS Plunger Finish
- Industrial Chrome Plated Piston Option
- **American-Made**
- Fast Shipping
- 100% Quality Controlled

Locking Systems Available:

- Multi-Position Strut Style
- Multi-Position Solid Steel Round Style
- Round Gravity-Operated Manual Release Style

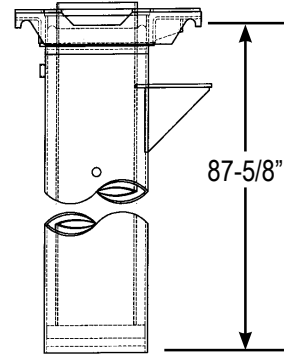
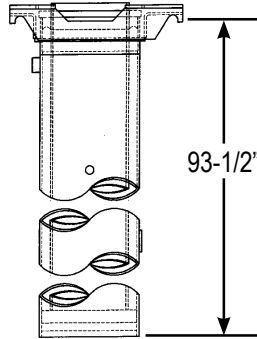
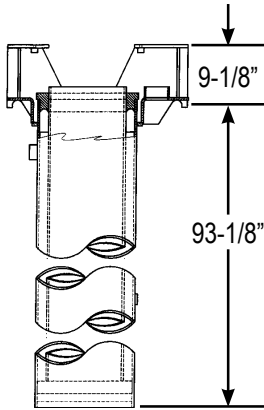
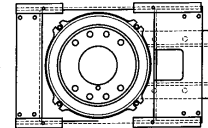
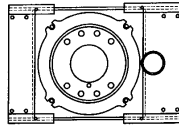
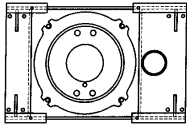
Cylinders Also Available for:

- Gilbarco • Globe
- Joyce • Weaver
- Ford Smith • Western

For many years, SVI has been has been producing replacement **12-5/8" cylinder assemblies** for Rotary lifts. These cylinder assemblies are found in facilities engaged in heavy duty vehicle lifting. They have been long since discontinued by the OE and SVI stepped in to help you save tons of money for your customers. Why should an entire lift be replaced when just one part is a problem? **Call today for more details.**

Meets applicable 3:1 and 5:1 ratio industry design standards such as ANSI and others.

12-5/8" Front Moveables Pictured • 12-5/8" Rear Sections Also Available
For Use with 250 psi and 350 psi Applications



BH-9771-72

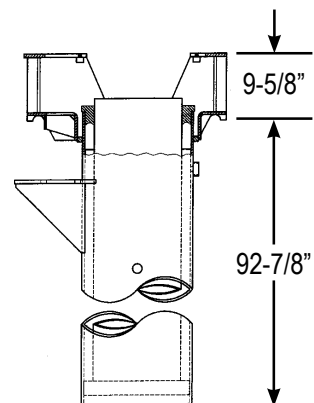
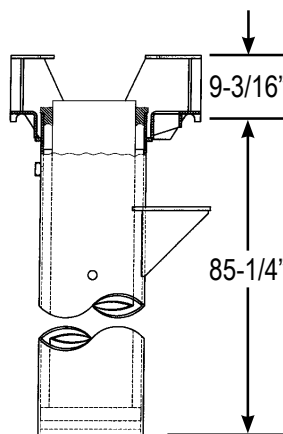
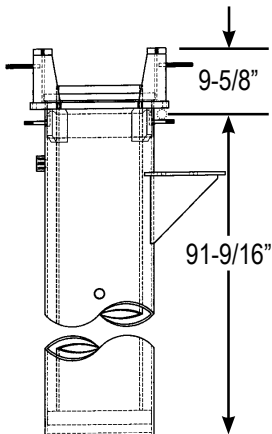
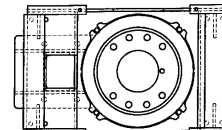
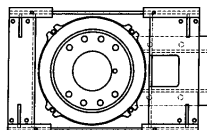
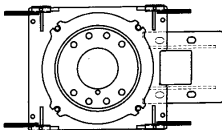
- 12-5/8" diameter
- Recessed Mount
- Capacity: 25,000 to 35,000 lbs.
- 64-1/2" Stroke

BH-9771-74

- 12-5/8" diameter
- Flush Mount
- Capacity: 25,000 to 35,000 lbs.
- 64-1/2" Stroke

BH-9771-76

- 12-5/8" diameter
- Flush Mount
- Capacity: 25,000 to 35,000 lbs.
- 60" Stroke



BH-9776-22R

- 12-5/8" diameter
- Recessed Mount
- Capacity: 25,000 to 35,000 lbs.
- 60" Stroke

BH-9776-50R

- 12-5/8" diameter
- Recessed Mount
- Capacity: 25,000 to 35,000 lbs.
- 57" Stroke

BH-9776-52R

- 12-5/8" diameter
- Recessed Mount
- Capacity: 25,000 to 35,000 lbs.
- 67" Stroke



Fore and Aft Commonly Requested Parts



FK-302-500



BH-9755-01



BH-9640



BH-9755-02



Single Position Top Release Safety Leg



Multi-Position Top Release Safety Leg (MPTR)



BH-9759-03



BH-9765-01



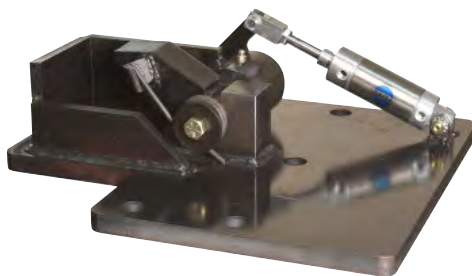
BH-9765-40



BH-9815



BH-9816



Air Valves

FK-302-500		Locking Air Control Valve 1/2"
BH-9755-01	FA378-1	Cam & Stem Assembly
BH-9640		Metal Muffler for Air Valves
BH-9755-02	FF512	Oil Valve Handle

Manual Safety Legs *(See Custom Safety Leg Form)*

BH-RO-60	FA267	For Front 10-5/8" Front Non-Rotator Heavy Duty - Length 76"
BH-RO-70	FA265	For Rear 10-5/8" and 12-5/8" Top Release Non-Rotator Length 84" / OD is 2-7/8"
BH-MPTR-RO-70	FA265	For Rear 10-5/8" Multi-Position Top Release
BH-TR-66	FA2111	For Front 8-1/2" Top Release Non-Rotator for 66" Stroke
BH-TR-75	FA2143	For Rear 8-1/2" Top Release Safety Leg

Axle Assemblies

BH-9759-03	FF43	For 8-1/2" Front Axle & Roller Assy.
BH-9765-59	FD79	For 10-5/8" Front Axle Assembly

Axle U-Bolt

BH-9765-01	FF40-11	For 8-1/2" Front
BH-9765-40	FD70-23	For 10-5/8" Front

Hoses

BH-9815		For 8-1/2" - 3/4" ID Hydraulic Hose 3/4" NPT x 108"
BH-9816		For 10-5/8" - 1" ID Hydraulic Hose 1" NPT x 156"

Air Operated Lock Assembly

BH-9766-18	FA2106	For 10210 Rear
------------	--------	----------------

Fore and Aft Commonly Requested Parts

Seal Kits

SVI #	Description
BH-1777	JF34, JF218, JF120
BH-1706	Newer Style 8-1/2" Seal serial numbers JG188/up
BH-9786-20	Newer Style 8-1/2" Seal with bearings JG188/up
BH-9762-81K	Newer Style 10-5/8" Seal serial numbers JK1203, JK1400/up
BH-1721 8-1/2" Plunger BH-1799 10-5/8" Plunger	Single Spring-Style Seals
BH-1721/21B 8-1/2" Plunger BH-1799/99B 10-5/8" Plunger	Single Spring-Style Seals with gland and bleeder
BH-9762-01 or BH-9762-01ATF	Upper Bearing Kits for 8-1/2" Plungers (ATF = Adjust-to-Fit)
BH-9762-02 or BH-9762-02ATF	Upper Bearing Kits for 10-5/8" Plungers (ATF=Adjust-to-Fit)
BH-1708 BH-9771-01	Two Spring-Style 12-5/8" Gland Ring for BH-1708



Used on Rotary Power Units

Hydraulic Drive Valve
Used on Power Unit Models P841 and P848
BH-9769-16 (OEM FA3156)

We specialize in *Custom Adapters!*

These are only two examples! Call us with your special requests: 800-321-8173.



BH-9755-81LBT
Specialty Adapters
(Fits FD2342)



BH-9755-81LT
Specialty Adapters
(Fits FD2342)

Repair Parts for Rotary Parallelogram Lifts

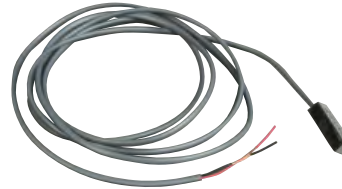
SVI Part #	OEM Ref #	Description
BH-7549-011	AP00129	Needle Valve
BH-7549-023	AP00223	Reed Switch
BH-7549-025	AP00221	Air Cylinder Parallelogram Lifts
BH-7549-067	AP01293	Directional Solenoid Control Valve
BH-7549-071	AP01233	Proportional Valve
BH-7549-073	AP01235	3-Way Selector Valve
BH-7549-102	APAIRVALVE	Air Valve Package
BH-7549-118	AP01416	Position Switch



Air Valve Package for Rotary Parallelogram Lifts
BH-7549-102 (Ref APAIRVALVE)



Needle Valve for Rotary Parallelogram Lifts
BH-7549-011
 (Ref AP00129)



Reed Switch for Rotary Parallelogram Lifts
BH-7549-023
 (Ref AP00223)



Air Cylinder for Rotary Parallelogram Lifts
BH-7549-025
 (Ref AP00221)



Directional Solenoid Control Valve for Rotary Parallelogram Lifts
BH-7549-067
 (Ref AP01293)



3-Way Selector Valve for Rotary Parallelogram Lifts
BH-7549-073
 (Ref AP01235)



Position Switch for Rotary Parallelogram Lifts
BH-7549-118
 (Ref AP01416)



Warning Labels and Tags

SVI Part #	Description
BH-7011-11	Lift Inspection Label (roll of 250)
BH-9990-04	Identification Label (sheet of 4)
BH-7212-73	ALI Warning Label Set — 4-Post Lift
BH-7504-59	ALI Warning Label Set — 2-Post Lift
BH-7529-23	ALI/WL-500 Placard for In-Ground Lifts
BH-7077-61A	Label - 4-Post Trained Operator
BH-7077-61B	Label - 2-Post Surface Lift Warning
BH-7077-61C	Label - 4-Post Surface Lift Warning
BH-7077-61D	Label - 4-Post Safety Instructions
BH-7077-61E	Label - Max. Cap. 9,000 lbs.
BH-7077-61F	Label - Max. Cap. 28,000 lbs.
BH-7077-61G	Label - Caution Keep Clear
BH-7077-61H	Label - Warning Statements
BH-7790-79-1	Safety Release Label for Cover
LB-12000 Series	Max Capacity Label (Specify Capacity)

Please see the following pages for images.

BH-7011-11
Lift Inspected Label
(roll of 250)

INSPECTED

Date of Inspection: _____

Next Inspection Due: _____

Auto Lift Make: _____

Lift Model No.: _____

Lift Capacity: _____

Lift Bay or Location No.: _____

Inspected By: _____

SVI PN BH-7011-11

This space left intentionally blank for inspection notes on lift inspection company's business stickers.

It is highly recommended that automotive lifts be inspected by a qualified lift service company every six months.

BH-9990-04 (pack of 4)
BH-9990-04A (individual)
Identification Labels

MFG. _____

MODEL _____

SERIAL # _____

CAPACITY _____

DATE _____



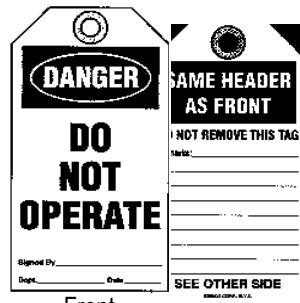
BH-7790-79-1
Safety Release Label for Cover



LB-12000 Series
Maximum Load Capacity Sticker
Specify Capacity (lbs.)

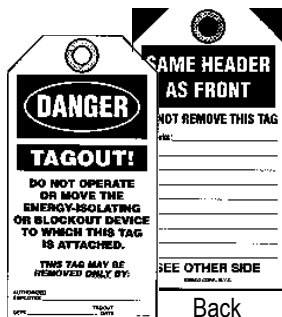


Front Back
SE-1020



Front Back
SE-1021

SVI Part #	Qty.	Description
SE-1020-005	5-pack	Do Not Operate (red striped background)
SE-1021-005	5-pack	Do Not Operate
SE-1022-005	5-pack	Tagout - Do Not Operate
SE-1023-005	5-pack	Out Of Service
SE-1024-005	5-pack	Unsafe - Do Not Use (bilingual)



Front Back
SE-1022



Front Back
SE-1023



Front Back
SE-1024

Warning Labels and Tags



BH-7077-61A

ALI/WL200c

Label - 4-Post Caution: Trained Operator



BH-7077-61D

ALI/WL200a

Label - 4-Post Safety Instructions



BH-7077-61E

Label - Maximum Capacity 9,000 lbs.



BH-7077-61F

Label - Maximum Capacity 28,000 lbs.

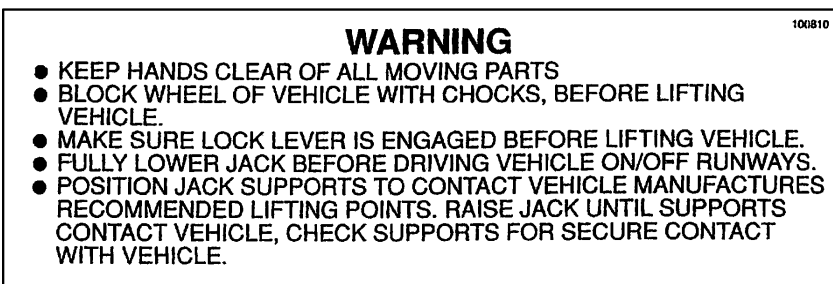
BH-7077-61G

Label
Keep Clear



BH-7077-61H

Label
Warning
Statements



Warning Labels and Tags

<p>⚠ WARNING</p> <p>Clear area if vehicle is in danger of falling.</p> <p>©</p>	<p>⚠ WARNING</p> <p>Position vehicle with center of gravity midway between adapters.</p> <p>©</p>
<p>⚠ WARNING</p> <p>Remain clear of lift when raising or lowering vehicle.</p> <p>©</p>	<p>⚠ WARNING</p> <p>Avoid excessive rocking of vehicle while on lift.</p> <p>©</p>
<p>⚠ WARNING</p> <p>Do not override self-closing lift controls.</p> <p>©</p>	<p>⚠ WARNING</p> <p>Keep feet clear of lift while lowering.</p> <p>©</p>

The messages and pictographs shown are generic in nature and are meant to generally represent hazards common to all automotive lifts regardless of specific style.

Funding for the development and validation of these labels was provided by the Automotive Lift Institute, PO Box 33116 Indialantic, FL. 32903.

They are protected by copyright. Set of labels may be obtained from ALI or its member companies.

© 1992 by ALI, Inc. ALI/WL101w

BH-7077-61B (ALI/WL101w)
Label - 2-Post Surface Lift Warning

<p>⚠ WARNING</p> <p>Clear area if vehicle is in danger of falling.</p> <p>©</p>	<p>⚠ WARNING</p> <p>Remain clear of lift when raising or lowering vehicle.</p> <p>©</p>
<p>⚠ WARNING</p> <p>Keep clear of pinch points when lift is moving.</p> <p>©</p>	<p>⚠ WARNING</p> <p>Keep feet clear of lift while lowering.</p> <p>©</p>
<p>⚠ WARNING</p> <p>Do not override self-closing lift controls.</p> <p>©</p>	<p>⚠ WARNING</p> <p>Check wheel to prevent vehicle movement.</p> <p>©</p>

The messages and pictographs shown are generic in nature and are meant to generally represent hazards common to all automotive lifts regardless of specific style.

Funding for the development and validation of these labels was provided by the Automotive Lift Institute, PO Box 33116 Indialantic, FL. 32903.

They are protected by copyright. Set of labels may be obtained from ALI or its member companies.

© 1992 by ALI, Inc. ALI/WL200w

BH-7077-61C (ALI/WL200w)
Label - 4-Post Surface Lift Warning

Warning Labels and Tags

BH-7504-59 Warning Label Set for 2-Post Lift

NOTICE	NOTICE
Read operating and safety manuals before using lift.	Proper maintenance and inspection is necessary for safe operation.
NOTICE	The messages and pictographs shown are generic in nature and are meant to generally represent hazards common to all automotive lifts regardless of specific style.
	Funding for the development and validation of these labels was provided by the Automotive Lift Institute, PO Box 85 Cortland, NY 13045.
Do not operate a damaged lift.	Replacement label sets may be obtained from the original lift manufacturer and ALI's member companies. They are protected by copyright.
	www.autolift.org © 2009 by ALI, Inc.

ALI/WL101s

CAUTION	CAUTION
Lift to be used by trained operator only.	Authorized personnel only in lift area.
CAUTION	CAUTION
Use vehicle manufacturer's lift points.	Always use safety stands when removing or installing heavy components.
CAUTION	CAUTION
Use height extenders when necessary to ensure good contact.	Auxiliary adapters may reduce load capacity.
The messages and pictographs shown are generic in nature and are meant to generally represent hazards common to all automotive lifts regardless of specific style.	
Funding for the development and validation of these labels was provided by the Automotive Lift Institute, PO Box 85 Cortland, NY 13045.	
Replacement label sets may be obtained from the original lift manufacturer and ALI's member companies. They are protected by copyright.	
www.autolift.org © 2009 by ALI, Inc.	

ALI/WL101c

WARNING	WARNING
Clear area if vehicle is in danger of falling.	Position vehicle with center of gravity midway between adapters.
WARNING	WARNING
Remain clear of lift when raising or lowering vehicle.	Avoid excessive rocking of vehicle while on lift.
WARNING	WARNING
Do not override self-closing lift controls.	Keep feet clear of lift while lowering.
The messages and pictographs shown are generic in nature and are meant to generally represent hazards common to all automotive lifts regardless of specific style.	
Funding for the development and validation of these labels was provided by the Automotive Lift Institute, PO Box 33116 Indialantic, FL 32903.	
They are protected by copyright. Set of labels may be obtained from ALI or its member companies.	
© 1992 by ALI, Inc.	

ALI/WL101w

BH-7212-73 Warning Label Set for 4-Post Lift

CAUTION	CAUTION
Lift to be used by trained operator ONLY.	Authorized personnel only in lift area.
The messages and pictographs shown are generic in nature and are meant to generally represent hazards common to all automotive lifts regardless of specific style.	
Funding for the development and validation of these labels was provided by the Automotive Lift Institute, PO Box 33116 Indialantic, FL 32903.	
They are protected by copyright. Set of labels may be obtained from ALI or its member companies.	
© 1992 by ALI, Inc.	

ALI/WL200c

SAFETY INSTRUCTIONS	SAFETY INSTRUCTIONS
Read operating and safety manuals before using lift.	Proper maintenance and inspection is necessary for safe operation.
SAFETY INSTRUCTIONS	The messages and pictographs shown are generic in nature and are meant to generally represent hazards common to all automotive lifts regardless of specific style.
	Funding for the development and validation of these labels was provided by the Automotive Lift Institute, PO Box 33116 Indialantic, FL 32903.
Do not operate a damaged lift.	They are protected by copyright. Set of labels may be obtained from ALI or its member companies.
	www.autolift.org © 1992 by ALI, Inc.

ALI/WL200s

WARNING	WARNING
Clear area if vehicle is in danger of falling.	Remain clear of lift when raising or lowering vehicle.
WARNING	WARNING
Keep clear of pinch points when lift is moving.	Keep feet clear of lift while lowering.
WARNING	WARNING
Do not override self-closing lift controls.	Check wheel to prevent vehicle movement.
The messages and pictographs shown are generic in nature and are meant to generally represent hazards common to all automotive lifts regardless of specific style.	
Funding for the development and validation of these labels was provided by the Automotive Lift Institute, PO Box 33116 Indialantic, FL 32903.	
They are protected by copyright. Set of labels may be obtained from ALI or its member companies.	
© 1992 by ALI, Inc.	

ALI/WL200w

Warning Labels and Tags

BH-7529-23
ALI/WL-500
 Placard for
 In-Ground Lifts

(2-sided 8.5 x 11"
 and comes with a tie)

SAFETY WARNING LABELS FOR INGROUND LIFTS

Lift Owner/User Responsibilities:

A. This Safety Warning placard **SHALL** be displayed in a conspicuous location in the lift area.

B. Use one of the mounting arrangements illustrated on back of this placard.

C. These Safety Warning labels supplement other documents supplied with the lift.

D. Be certain all lift operators read and understand these labels, operating instructions and other safety related information supplied with the lift.

▲ WARNING	▲ WARNING	▲ WARNING	▲ WARNING	▲ WARNING
Do not override self-closing lift controls.	DO NOT remove oil fill plug before reading manufacturer's manuals.	Position vehicle center of gravity over lift.	Remain clear of lift when raising or lowering vehicle.	Keep feet clear of lift while lowering.
▲ WARNING	▲ WARNING	▲ WARNING	▲ WARNING	The messages and pictographs shown are generic in nature and are meant to generally represent hazards common to all automotive lifts regardless of specific style. Funding for the development and validation of these labels was provided by the Automotive Lift Institute, PO Box 85 Cortland, NY 13045. Replacement label sets may be obtained from the original lift manufacturer and ALI's member companies. They are protected by copyright. www.autolift.org © 1992 by ALI, Inc.
Clear area if vehicle is in danger of falling.	Avoid excessive rocking of vehicle while on lift.	Chock wheel to prevent vehicle movement.	Use lift locking device or 4 stands to support vehicle.	

ALI/WL500w

TYPICAL PLACARD LOCATIONS

Wall Mounted Lift Control

Air Supply To Lift

Push Button Controls on Electric Powered Lifts

In-floor Lift Controls:
Locate placard on wall or column in lift area near lift controls

▲ CAUTION	▲ CAUTION	▲ CAUTION	▲ CAUTION	▲ CAUTION
Lift to be used by trained operator ONLY.	Authorized personnel only in lift area.	Use vehicle manufacturer's lift points.	Always use safety stands when removing or installing heavy components.	Use height extenders when necessary to ensure good contact.
▲ CAUTION	SAFETY INSTRUCTIONS	SAFETY INSTRUCTIONS	SAFETY INSTRUCTIONS	The messages and pictographs shown are generic in nature and are meant to generally represent hazards common to all automotive lifts regardless of specific style. Funding for the development and validation of these labels was provided by the Automotive Lift Institute, PO Box 85 Cortland, NY 13045. Replacement label sets may be obtained from the original lift manufacturer and ALI's member companies. They are protected by copyright. www.autolift.org © 1992 by ALI, Inc.
Auxiliary adapters may reduce load capacity.	Read operating and safety manuals before using lift.	Proper maintenance and inspection is necessary for safe operation.	Do not operate a damaged lift.	

ALI/WL500cs



DIRECT FIT™ BRAND

SVI International, Inc.

Catalogs and Information Online: www.sviinternational.com

EASY TO ORDER:
800-321-8173
815-748-0200
 Fax: 800-899-1784 • 815-748-0210
 E-Mail: parts@sviintl.com
www.sviinternational.com

AUTO LIFT REPAIR PARTS FOR ALL MAKES & MODELS

~NO MATTER THE AGE OF THE LIFT!

- Arm Restraint Kits & Parts
- Cables—Lifting and Equalizing
- Chain
- doorjammerPRO - Door Protection Pad
- Height Extensions and Rubber Pads
- Installation Products & Tools
- Power Units and Parts
- Pulleys and Chain Rollers
- Seal Kits for In-Ground & Surface Mount
- Safety Legs / Non-Rotators
- Replacement Lift Kits
- Power Post Lifting Systems
- Tanks for In-Ground Lifts
- Turf Attachments for 2-Post Lifts

SURFACE MOUNT LIFT PARTS FOR:

Acanus	Gemini	Quality
Ammco®*	Gilbarco	Ranger
Alamo /	Globe	Ravaglioli
ASSSA	Grand	Rotary Lifts
ALM	Hofmann	Silent Tech
AMI	Hydralift	Slift
Ashawa	Ime Istobal	Somers Souriau
Ben Pearson	Kismet	Stenhoj
BendPak	Kimm	Stertil Koni
Benwil	Koni	Sun
Bishamon	Launch	Tecalemit
Boston	Laycock	Titan
Bradbury	Lincoln	Weaver
Cascos	Maha	Werther
Consul	Manitowoc Lifts	Western
Challenger	Mohawk	Westinghouse
Force	Nussbaum	Wheeltronic
Ford Smith	OMA	Worth
Forward	OMCN	Zippo
Fuchs/Zippo	PMW	

IN-GROUND LIFT PARTS FOR:

Benwil	Gilbarco	PKS Lifts
Challenger	Globe	Rotary
Cochin	HDL/ISS Innovative	US Hoist
Curtis	Joyce	Weaver
Ford Smith	Manitowoc Lifts	Western

AIR COMPRESSOR PARTS

- Air Receiver Tanks • Compressor Mufflers
- Automatic Tank Drain Valve for Champion Compressors
- Filters—Many OEM Ref Available!
- Filters, Regulators, Lubricators
- Intake Filter Products
- Milton Air System Products
- Re-Coil Hose • Valves
- Vibration Dampening Pads & much more!

BRAKE LATHES REPAIR PARTS

- Brake Lathe Repair Parts and Accessories for **All Makes**

EXHAUST REMOVAL SYSTEMS & PRODUCTS

FLUID DELIVERY

- Lenz Fittings
- Steel Hydraulic Line Tubing and Fittings
- Strut and Hangers

HOSE REELS BY REELCRAFT®

HYDRAULIC CYLINDERS—

- Custom Single-Acting Large Bore Cylinders
- Also see “Lifting Equipment”

LIFTING EQUIPMENT

- New In-Ground Lifts—Car, Truck & Bus
- Small Equipment Shop Maintenance (SESM) Lifts for lifting Landscape Equip. ATVs / UTVs, Motorcycles, Lawn Mowers, Golf Carts and More!
- Custom Lifting Equipment incl. Production Line Lifts, Rail Car Lifts and More
- Custom Hydraulic Cylinders for Various Applications
- Turf Attachments for 2-Post Lifts
- In-Ground Lift Sections and Kits
- And more!

LUBRICATION & PAINT / FOAM SPRAY REPAIR PARTS & KITS FOR:

- Alemite • ARO • Balcrank • Graco • Lincoln

PETROLEUM EQUIPMENT & REPAIR PARTS FOR:

- Gas Pump & Meter Kits and Parts for Gasboy • Tokheim • Fill-Rite
- Including Parts for Older Pumps: Wayne • Bennett • Gilbarco • Bowser A.O. Smith (Geosource) • Southwest

SEAL KITS

SHOP EQUIPMENT

- Hein-Werner Products • Omega Products
- Porto-Power • Pro-Lift

TIRE EQUIPMENT REPAIR PARTS

- Tire Changer and Wheel Balancer Parts for **All Makes**

Accu-Turn	FMC	Nussbaum
All Tool	Giuliano	Ranger
Ammco®*	Hofmann	Sicam
BaseLine®*	Hunter	Sice
Bosch	John Bean /	Snap-On
Cemb	(JBC)	Teco
Coats®*	Kwik-Way	Tuxedo
Corghi	Launch	

VALVES

- Air Compressor Valves of All Types
- Air and Hoist Control Valves
- Ball Valves • Check Valves
- Kingston Valves • Pressure Relief Valves
- Relief Valves • Safety Valves
- Solenoid Valves
- Tire Changer Valves • And More!

CUSTOM PRODUCTS

And let us know if you want something you use in your shop to be added to our product line!

DIRECT FIT™ In addition to SVI's DIRECT FIT™ BRAND, we are proud to be a one-stop shop for many other great products including:



3 Ready-Ship Warehouses for Faster Shipping! | **BALTIMORE • CHICAGO • LOS ANGELES**

Main Office: 155 Harvestore Drive • DeKalb, IL 60115

All names, numbers, symbols and descriptions are used for reference purposes only. It is not implied that any part listed is the product of these manufacturers. 05.28.2021
SVI does not represent and is not associated in any way with any other companies. Entire contents copyright © 2021, SVI International, Inc. Prices subject to change without notice.
*AMMCO, BASELINE, COATS and DUCKHEAD are registered trademarks of Hennessy Industries, Inc. SVI International, Inc. is not associated in any way with Hennessy Industries, Inc.

**TERMS AND CONDITIONS OF THE
SALES ORDER
FOR SVI INTERNATIONAL, INC.**

1. **GENERAL.** The terms and conditions of sales order outlined herein shall apply to the sale by SVI INTERNATIONAL, INC. (hereinafter referred to as "Company") of the items described on the facing page (hereinafter referred to as "Merchandise") to Purchaser.
2. **DELIVERY.** Delivery shall be deemed to be complete when the Merchandise has been shipped F.O.B. Company's plants in DeKalb, Illinois, Montclair, California; and Hanover, Maryland ("Company's plants"). Shipments are subject to delays from causes or contingencies beyond the reasonable control of the Company. When otherwise not specified, shipments will be made in standard containers via carrier which, in the judgment of the Company, will result in the most practical method. Title and right of possession will pass to the Purchaser upon receipt by the carrier at the shipping point. If a customer of the Company should specify a specific carrier's method of shipment (i.e. UPS Next Day Air) and that carrier does not perform to the customer's expectations, freight credit to a customer's account will not be issued unless the Company can first obtain a credit.
3. **RISK OF LOSS.** Identification of the Merchandise under Uniform Commercial Code (hereinafter referred to as "UCC") Section 2-501 shall take place at the moment of shipment F.O.B. Company's plants. Risk of loss shall pass to the Purchaser when the Merchandise is shipped from the Company's plants.
4. **TITLE.** Title to the merchandise shall transfer to the Purchaser when the Merchandise is shipped from the Company's plants.
5. **WARRANTIES.** The Company guarantees its products to be free from defects in workmanship and raw materials for a period of one year from date of purchase. THIS WARRANTY IS EXPRESSLY IN LIEU OF ANY AND ALL WARRANTIES EXPRESS OR IMPLIED. COMPANY DOES NOT WARRANT THE MERCHANDISE IS MERCHANTABLE OR FIT FOR ANY PARTICULAR PURPOSE. Company's liability for breach of the terms of this Agreement, including any warranty, is limited to either refund of the invoice price of the Merchandise or at Company's option, replacement of the Merchandise free of charge, including transportation charges but not including the cost of labor. Purchaser has not relied on any statement or upon the conduct of Company with respect to the prospective use of the merchandise. Company shall not be liable for and Purchaser waives any and all claims for any loss or damage, directly or indirectly, arising from the use of the Merchandise and for punitive, incidental or consequential damages, including, but not limited to, damages to property, for loss of use, loss of time, loss of profit or loss of income. The Company does not authorize the sale of our products under any other warranty, expressed or implied. **Please note:** Electrical components and cylinder or shaft seals are not covered under warranty.
6. **SETOFF.** All claims for money due or to become due from the Company shall be subject to deduction by the Company for any setoff or counterclaim arising out of this or any other claims of the Company or its affiliated companies, whether such setoff or counterclaim arose before or after any assignment by Purchaser.
7. **INDEMNIFICATION.** Purchaser agrees to indemnify the Company and hold it harmless from and against all claims, liability, loss, damage or expense, including reasonable counsel fees, arising from or by reason of any modifications or alterations made by Purchaser. If a customer of the Company modifies or alters any part, in any manner whatsoever, or uses any part in departure from recommended performance specifications, said customer agrees to indemnify and hold the Company harmless from and against all liability and expenses based on damage to property or injury to or death of any person arising out of or attributable to such modified or altered part. Further, the Company will not accept any such modified or altered part for credit to a customer's account.
8. **FREIGHT POLICY.** Freight charges are prepaid and added to invoice or collect FOB shipping point. Note: All customers are responsible for all carrier shipping costs, fees, surcharges, etc. including order refusal and return fees.
9. **RETURN POLICY.** To return a part for credit or inspection, Purchaser must first contact our Main Office in Illinois, to obtain a Return Merchandise Form. Once Purchaser has obtained this form, the parts can be returned freight prepaid only. The Return form must be included with the shipment. Parts returned to the Company without the approved form will be returned freight collect to the shipper or refused. Returns must be initiated within 30 days of the invoice date. The Return Forms are valid for 30 days, from the date of issue. All Returns are subject to restocking charges. Return parts brought into our remote warehouses, will not be accepted by our personnel, without a Return Merchandise Form from the Main Office. Parts which have been used in any way or manner, including any installation or incorporation into a lift, hoist, or other equipment, shall NOT be eligible for return whether or not a Return form has been assigned. **Please note:** Electrical parts or components are not returnable for credit. This includes all switches, pushbuttons, relays, electric motors, capacitors, fuses, solenoids, power units with wiring issues or any other electrical items. Custom, built to order, special order, and non-stocked genuine parts are non-returnable.
10. **RESTOCK CHARGE.** Returns are subject to a restocking charge. Refusals are subject to the same restocking charge plus the cost of outbound and return freight charges and/or fees incurred by the Company due to shipment refusal.
11. **PRICES AND PAYMENTS.** All prices are subject to change without notice. All prices are F.O.B. shipping point. The Company standard terms are net 30 days, C.O.D. company check, C.O.D. cash, VISA, MasterCard, Discover or American Express. However, if in the judgment of the Company, the financial condition of the Purchaser at any time does not justify shipment according to standard terms of payment, the Company may require full or partial payment in advance.
12. **INTERPRETATION.** This sales order is intended by the parties as a complete and exclusive statement of the terms of their agreement. It supersedes all prior agreements, written or oral. No course of prior dealings between the parties and no usage of the trade shall be relevant to supplement or explain any terms used in this sales order. Acceptance or acquiescence in a course of performance rendered under this purchase order shall not be relevant to determine the meaning of this sales order even though the accepting or acquiescing party has knowledge of the nature of the performance and opportunity for objection. Whenever a term defined by the UCC is used in this sales order the definition contained in the UCC shall control.
13. **MODIFICATION.** This sales order can be modified or rescinded only by a writing signed by both parties.
14. **WAIVER.** No claim or right arising out of a breach of this sales order can be discharged in whole or in part by a waiver or renunciation of the claim or right unless such waiver or renunciation is supported by consideration and is in writing signed by the aggrieved party.
15. **ASSIGNMENT.** No right or interest in this sales order shall be assigned by either party without the written consent of the other and no delegation of any obligation owed, or of the performance of any obligation by either the Company or Purchaser shall be made without the written consent of the other party. Any attempted assignment or delegation not made in conformity with this paragraph shall be wholly void and totally ineffective for all purposes.
16. **TIME TO PERFORM AND BRING ACTION.** Time is of the essence of this sales order. Any action for breach of this sales order shall be commenced within two (2) years after the cause of action has accrued. Any party who loses any litigation shall reimburse the other party for costs including reasonable attorney's fees. The exclusive jurisdiction for any legal action shall be the Circuit Court of DeKalb County, Illinois.
17. **APPLICABLE LAW.** This sales order shall be governed by the UCC of Illinois as effective and in force on the date of this sales order.



BALTIMORE • CHICAGO • LOS ANGELES



DIRECTFIT™
SVI's DIRECT FIT™ BRAND

- Air Compressor Parts and Filters
- Auto Lift Parts for Any Brand
- Auto Lift Cables and Chain
- Auto Lift Power Units and Parts
- Auto Lift Sheaves / Pulleys and Chain Rollers
- Brake Lathe Repair Parts for All Makes
- Exhaust System Products
- Fluid Delivery Repair Parts
- Hose Reels and Hose Stops
- In-Ground Auto Lifts
- Lubrication Equipment Repair Parts
- Petroleum / Service Station Pump and Tank Products
- Repair Parts for Gasboy Consumer Series
- SESM Lifts for ATV/UTV, Golf Cart and More!
- Tire Changer Repair Parts
- Turf Attachments for 2-Post Lifts
- Vehicle Lifting Systems
- Wheel Balancer Accessories



SVI International, Inc.

155 Harvestore Drive • DeKalb, IL 60115

800-321-8173 • 815-748-0200

Fax: 800-899-1784 • 815-748-0210

Entire contents copyright © 2021, SVI International, Inc.

Information and Catalogs Online:
www.sviinternational.com