



DIRECTFIT™

Auto Lift Repair Parts and Accessories for Tuxedo Lifts

Automotive Shop Equipment | Auto Lift Repair Parts

The Industry's Largest Selection of Auto Lift Repair Parts

DIRECTFIT™
SVI's DIRECT FIT™ BRAND



SVI International, Inc.
155 Harvestore Drive • DeKalb, IL 60115

800-321-8173
815-748-0200

www.sviinternational.com

BALTIMORE • CHICAGO • LOS ANGELES



Table of Contents

Height Extensions, Pads and Adapters	3-4	Model TLT211-AS	65-67
Cable Quick Reference for Tuxedo Lifts.....	6-7	Model FP7K.....	68-69
Commonly Requested Products.....	8-9	Model FP7K-XLT	70-71
Power Units	5, 87	Model FP8K-DX, FP8K-B, FP8K-DS...	72-74
Repair Parts for:		Model FP8K-DX-XLT, FP8K-DS-XLT...	75-77
Model TP7KAC.....	10-12	Model FP9K.....	78-79
Model TP9KAC.....	13-15	Model FP9K-DX-XLT	80-81
Model TP9KACX / TP9KSCX	16-18	Model 12K-K.....	82-84
Model TP9KAF	19-21	Model FP14K, FP14KA.....	85-86
Model TP10KAC-D	22-24	Model FP14KA-C.....	87-89
Model TP10KAC-DX.....	25-28	Model FP14KO-A.....	90-92
Model TP11KAC	29-32	Model LR-26-PAD.....	93
Model TP11KAC-D	33-35	Model MR6K-38.....	94-95
Model TP11KC-DX	36-39	Model MR6.5K-38.....	96-97
Model TP12KC-D / TP12KC-DE.....	40-42	Model MR6K-48.....	98-99
Model TP12KC-DX.....	43-45	Model PL6K.....	100-101
Model TP12KF.....	46-48	Model MSC-6KLP.....	102-103
Model TP12KFX	49-51	Model SC-2K.....	104-105
Model TP12KSC-DX.....	52-54	Model SP-6K-SS	106-107
Model TP15KF.....	55-57	Repair Parts for Duro Power Units	108
Model TP15KC-K.....	58-59	Turf Tray Lift Attachments for 2-Post Lifts ..	109
Model TP15KC-KX	60-61	More from SVI	110
Model TLT210-A, TLT210-AS, TLT210-XT.....	62-64		

DIRECTFIT™ *Service, Value, and Innovations*
Top-line products and solutions.

BALTIMORE • CHICAGO • LOS ANGELES
(800) 321-8173 • fax: (800) 899-1784
www.sviinternational.com

Height Extensions, Pads and Adapters See our *Height Extension Catalog* for more options.

Please always confirm dimensions before ordering. Height Extensions and Adapters come in many different styles and dimensions. SVI is well-known as the adapter expert, specializing in top quality standard and custom adapters. SVI is your answer.

<p>5" Octagon Rubber Arm Pad BH-7270-048 1 Rubber Pad Sold individually</p>  <p><i>1/2" Thick Pad Holes are 3.6" Apart</i></p>	<p>Rectangle Rubber Arm Pad (Ref 82365, others) BH-7101-00 1 Pad Only BH-7101-00-4 Kit of 4 Pads and Hardware</p>  <p><i>3-7/8" x 4-7/8" x 7/8"</i></p>		
<p>Octagon Rubber Arm Pad Standard Version (Ref 994105, 991234, 991222, 91062, others) BH-7235-90A 1 Pad BH-7235-90 Kit of 4 Pads and Hardware</p>  	<p>Octagon Rubber Arm Pad Heavy Duty Version BH-7235-90AX 1 Pad BH-7235-90K Kit of 4 Pads</p> <p>Thicker with Fabric Reinforcement— The Better Choice!</p>  		
<p>2" Nesting Height Extension for Tuxedo Models TP10KAC-DX, TP11KC-DX, MSC-6KLP iDEAL, others BH-7485-0344</p> 	<p>4" Nesting Height Extension for Tuxedo Models TP10KAC-DX, TP11KC-DX, MSC-6KLP iDEAL, others BH-7485-0345</p> 	<p>Nesting Height Extensions for Kernel 9,000 Lb. Lift Models such as 9000BF, 9000BSA, GTX-09-OH-T, GTX-09-FP, MTP-9A, MTP-9F, and Tuxedo BH-7486-44 - Short BH-7486-45 - Long</p> 	<p>Nesting Height Extensions for Tuxedo Lifts and Kernel 11,000 Lb Lift Models GTX-10-OH, 11000BSA, MTP-11A BH-7487-42 - Short BH-7487-43 - Long</p> 
<p>Steel Adapter Base for Kernel 9,000 Lb. Lift Models such as 9000BF, 9000BSA, GTX-09-OH-T, GTX-09-FP, MTP-9A, MTP-9F, and Tuxedo BH-7486-01</p> <p><i>Replaceable Pad: BH-7270-048</i></p>	<p>Adapter Base and Rubber Pad Assembly for Tuxedo Lifts and Kernel 11,000 Lb Lift Models GTX-10-OH, 11000BSA, MTP-11A BH-7487-02</p>  <p><i>Replaceable Pad: BH-7270-048</i></p>	<p>Adapter Base and Rubber Pad Assembly for Tuxedo Lifts and Kernel Fits 4" Wide Arm BH-7486-00</p>  <p><i>Also see BH-7090-94 on next page</i></p>	<p>Spin-Up Cradle Adapters (Set of 4) BH-7485-0955K (ref TP11DX-SPNCA)</p>



Height Extensions, Pads and Adapters See our *Height Extension Catalog* for more options.

Please always confirm dimensions before ordering. Height Extensions and Adapters come in many different styles and dimensions. SVI is well-known as the adapter expert, specializing in top quality standard and custom adapters. SVI is your answer.

DIRECTFIT™
SVI's DIRECT FIT™ BRAND

UNIVERSAL | FOR MANY MAKES & MODELS
Rubber Adapter Blocks (Stack Pads) • 4-3/4" x 6-1/4"
 BH-9756-86T (Ref SB700071Y) 1/2" Thick
 BH-9756-86 (Ref FJ2427) 1-1/2" Thick
 BH-9756-87 (Ref FJ2428x) 3" Thick

1/2" Thick BH-9756-86T
1-1/2" Thick BH-9756-86
3" Thick BH-9756-87

UNIVERSAL | FOR SPORT CARS!
FOR LOW PROFILE VEHICLE APPLICATIONS
Rubber Riser Pad
 SC-8150-25 1 Pad
 SC-8150-25-4 Kit of 4 Pads

Use SVI's Rubber Riser Pads to raise low-profile cars up higher from the floor for easier placement of 2-post swing arms

Features Handle for Easy Placement

2-1/2" Tall

Outer Arm Adapter with Rubber Pad for Any Lift
 BH-7090-97 • For 3-1/2" Wide Arm
 BH-7090-94 • For 4" Wide Arm
 BH-7090-98 • For 4-3/4" Wide Arm
 BH-7090-95 • For 5" Wide Arm
 BH-7090-96 • For 6" Wide Arm

Works well with Toyota GR Supra and Low-Profile Cars

Replacement Pad: BH-7101-00

Many more styles available for any make or model! See SVI's Height Extensions & Adapters Catalog

Whether it's standard or custom, SVI is your answer.

Don't see what you need?
 Contact SVI today!
800-321-8173
 parts@sviintl.com

Insist on SVI Direct Fit™ brand Products!

TYPE GMT

7" Wide Lifting Area

Specialty Lift Adapters
FOR 2019, 2020, 2021 AND NEWER
 Chevrolet 1500 Silverado and GMC Sierra Truck Models

Call SVI today for specialty adapters specific to your lifting needs.

Made in the USA



The #1 Source for Auto Lift Power Units!

**BH-7006-01 Series - Single Phase
SPX Stone Power Unit**



SPX STONE SPX Stone power units are a compact hydraulic power source utilizing an electric motor with the capability to generate high pressure ratings. The units are built specially for SVI and the industry it serves to provide a wide range of customer-specified pressure relief valve settings. The ability to properly select the required pressure relief allows industry professionals to confidently match the right power unit to the application. SVI performs this service routinely every day to ensure power units are shipped on a same-day basis with the correct pressure relief setting required for the job.

**208-230 VAC, 2HP, 1PH, 3450 RPM Motor
4.0 Gallon Reservoir**

- Frame: 56 FR
- Max Amps: 230 VAC 18
- Pump: 2.3 GPM @ 2200 PSI*
- Maximum Run Time: 75 Seconds
- Pressure / Return Port Size: 9/16" SAE
- Auxiliary Return Port: 3/8" NPT

Part #	SPX / Stone #	Pressure Relief Valve (psi/bar)	Motor	Pump	Easy Adaptation Kit
BH-7006-01-13	AB-1488	1885 psi / 130 bar	208-230 VAC, 2HP, 1PH, 3450 RPM	2.5CC/Rev	Included BH-7000-00
BH-7006-01-14	AB-1488	2030 psi / 140 bar	208-230 VAC, 2HP, 1PH, 3450 RPM	2.5CC/Rev	Included BH-7000-00
BH-7006-01-15	AB-1488	2175 psi / 150 bar	208-230 VAC, 2HP, 1PH, 3450 RPM	2.5CC/Rev	Included BH-7000-00
BH-7006-01-16	AB-1488	2320 psi / 160 bar	208-230 VAC, 2HP, 1PH, 3450 RPM	2.5CC/Rev	Included BH-7000-00
BH-7006-01-17	AB-1488	2465 psi / 170 bar	208-230 VAC, 2HP, 1PH, 3450 RPM	2.5CC/Rev	Included BH-7000-00
BH-7006-01-18	AB-1488	2610 psi / 180 bar	208-230 VAC, 2HP, 1PH, 3450 RPM	2.5CC/Rev	Included BH-7000-00
BH-7006-01-19	AB-1488	2755 psi / 190 bar	208-230 VAC, 2HP, 1PH, 3450 RPM	2.5CC/Rev	Included BH-7000-00
BH-7006-01-20	AB-1488	2900 psi / 200 bar	208-230 VAC, 2HP, 1PH, 3450 RPM	2.5CC/Rev	Included BH-7000-00
BH-7006-01-21	AB-1488	3045 psi / 210 bar	208-230 VAC, 2HP, 1PH, 3450 RPM	2.5CC/Rev	Included BH-7000-00
BH-7006-01-22	AB-1488	3190 psi / 220 bar	208-230 VAC, 2HP, 1PH, 3450 RPM	1.6CC/Rev	Optional BH-7000-00
BH-7006-01-23	AB-1488	3335 psi / 230 bar	208-230 VAC, 2HP, 1PH, 3450 RPM	1.6CC/Rev	Optional BH-7000-00
BH-7006-01-24	AB-1488	3480 psi / 240 bar	208-230 VAC, 2HP, 1PH, 3450 RPM	1.6CC/Rev	Optional BH-7000-00
BH-7006-01-25	AB-1488	3625 psi / 250 bar	208-230 VAC, 2HP, 1PH, 3450 RPM	1.6CC/Rev	Optional BH-7000-00
BH-7006-01-26	AB-1488	3770 psi / 260 bar	208-230 VAC, 2HP, 1PH, 3450 RPM	1.6CC/Rev	Optional BH-7000-00

EASY ADAPTATION KIT • BH-7000-00

Included with: BH-7006-01-13 thru -21
Optional for: BH-7006-01-22 thru -26

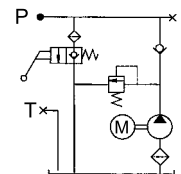


CONTENTS

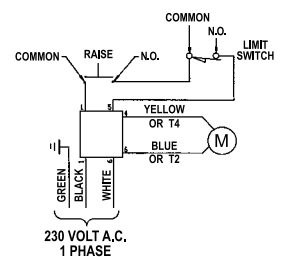
- (1) BH-7000-02 36" Long Hose, 1/4" Hose, 3000 psi, -6 Male End and -6 Swivel Female End
- (1) BH-7000-06 Male 90° Elbow, -6 JIC to -SAE Straight Thread, Zinc Plated Steel
- (1) BH-7000-07 Swivel Nut Branch Tee, -6 Male to -6 Male to -6 Female Swivel Out, Zinc Plated Steel
- (1) BH-7000-08 8" Long, 1/4" Hose, 3000 psi, -6 Male End and -6 Swivel Female End
- (1) BH-7000-09A 24" Cable Tie, 0.36" Wide

* BH-7006-01-22/26 1.5 GPM @ 3190 to 3770 PSI

HYDRAULIC CIRCUIT



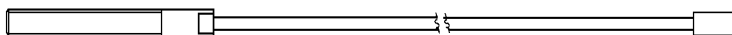
ELECTRIC CIRCUIT





Cable Quick Reference for Tuxedo Lifts

DIRECTFIT™
SVI's DIRECT FIT™ BRAND



CABLES FOR 2-POST LIFTS

Also see SVI's Cable Reference Book

Many standard and custom cables available!

Don't see your cable? Call today!

SVI Part #	Cross Ref #	O.A.L.	Dia.	Fits Lift Models
BH-7489-1264	TP7KAC-64			TP7KAC
BH-7486-30	TP9-1041	33' 9"	3/8"	TP9KAC, 9000 OH
BH-7485-0219	TP9KACX-064 TT-6835-CABLE	407.5"		TP9KACX, TP9KSCX
BH-7486-46	TP9-1028	28' 6"	3/8"	TP9KAF, 9000 Floorplate
BH-7485-0327	TP11KC-DX-088 SJ01-00002-000	33' 8"		TP10KAC-D, TP10KAC-DX, TP11KAC-D, TP11KC-DX
BH-7487-26	TP11KAC-3028 TP11KAC-099	33' 4"	3/8"	TP11KAC, 10000 OH
BH-7485-0585	TP12KC-D-073 SJ13-00008-000, TP12KSC-DX-073	38' 1-1/2"		TP12KC-D, TP12KC-DX, TP12KSC-DX
BH-7485-0635	TP12KF-050	30' 11"		TP12KF
BH-7485-0703	TP12KF-X-046 TPO15-505-01—verify, also see BH-7485-0893	30' 11.2"		TP12KFX
BH-7485-0765	TP15KF-050			TP15KF
BH-7485-0898	TP15KC-K-046			TP15KC-K
BH-7485-0893	TP15KC-KX-036 TPO15-505-01—verify, also see BH-7485-0703	40' 7.4"		TP15KC-KX
BH-7485-7020	103260260 103260341			Before August 2013 • TLT210-A, TLT210-AS, TLT210XT, TLT211-AS (Launch Tech)
BH-7485-7021	103260260 103260341			After August 2013 • TLT210-A, TLT210-AS, TLT210XT, TLT211-AS (Launch Tech)



CABLES FOR 4-POST LIFTS

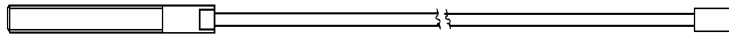
Don't see your cable? Call today!

SVI Part #	Cross Ref #	O.A.L.	Dia.	Fits Lift Models
BH-7485-07		21' 3"	3/8"	Left Rear
BH-7485-08		26' 4-1/2"	3/8"	Right Rear
BH-7485-09		13' 7-1/4"	3/8"	Right Front
BH-7485-10		8' 6"	3/8"	Left Front
BH-7488-1054	FP7K-17	26' 2-1/2"		FP7K • Top Offside / Right Front RF
BH-7488-1055	FP7K-18	21' 1-1/4"		FP7K • Top Main Side / Left Front LF
BH-7488-1056	FP7K-19	8' 4-1/4"		FP7K • Bottom Main / Left Rear LR
BH-7488-1057	FP7K-20	13' 5-1/2"		FP7K • Bottom Offside / Right Rear RR
BH-7488-1050	FP7K-4051 FP7K-XLT-17	28' 10-5/8"		FP7K-XLT • Top Offside / Right Front RF
BH-7488-1051	FP7K-4052 FP7K-XLT-18	23' 9-1/8"		FP7K-XLT • Top Main Side / Left Front LF
BH-7488-1052	FP7K-4049 FP7K-XLT-19	9' 3-3/8"		FP7K-XLT • Bottom Main Side / Left Rear LR
BH-7488-1053	FP7K-4050 FP7K-XLT-20	14' 5-3/4"		FP7K-XLT • Bottom Offside / Right Rear RR



Cable Quick Reference for Tuxedo Lifts

DIRECTFIT™
SVI's DIRECT FIT™ BRAND



**CABLES FOR
4-POST
LIFTS
(continued)**

*Don't see your
cable? Call today!*

SVI Part #	Cross Ref #	O.A.L.	Dia.	Fits Lift Models
BH-7489-1000	FP8K-DS/DX-094 TT7B-500-03A	26' 9-7/8"		FP8K-DX, FP8K-B, FP8K-DS Right Front RF
BH-7489-1001	FP8K-DS/DX-095 TT7B-500-03B	22' 1-3/4"		FP8K-DX, FP8K-B, FP8K-DS Left Front LF
BH-7489-1002	FP8K-DS/DX-096 TT7B-500-03D	8' 10-5/8"		FP8K-DX, FP8K-B, FP8K-DS Left Rear LR
BH-7489-1003	FP8K-DS/DX-097 TT7B-500-04C	13' 6-3/8"		FP8K-DX, FP8K-B, FP8K-DS Right Rear RR
BH-7488-1227	FP8K-DS/DX-XLT-094 TT-8138-500-03A	29' 1/2"	3/8"	FP8K-DX-XLT, FP8K-DS-XLT Right Front RF
BH-7488-1228	FP8K-DS/DX-XLT-095 TT-8138-500-03B	24' 1-1/4"	3/8"	FP8K-DX-XLT, FP8K-DS-XLT Left Front LF
BH-7488-1229	FP8K-DS/DX-XLT-096 TT-8138-500-03D	9' 7"	3/8"	FP8K-DX-XLT, FP8K-DS-XLT Left Rear LR
BH-7488-1230	FP8K-DS/DX-XLT-097 TT-8138-500-04C	14' 9"	3/8"	FP8K-DX-XLT, FP8K-DS-XLT Right Rear RR
BH-7488-1281	FP9K-17			FP9K • Top Offside
BH-7488-1282	FP9K-18			FP9K • Top Main Side
BH-7488-1283	FP9K-19			FP9K • Bottom Main Side
BH-7488-1284	FP9K-20			FP9K • Bottom Offside
BH-7488-1376	FP9KDX-098 KY-8440T-6000-4	31' 2-1/2"	3/8"	FP9K-DX-XLT • Right Front RF
BH-7488-1377	FP9KDX-099 KY-8440T-6000-4	26' 3-1/2"	3/8"	FP9K-DX-XLT • Left Front LF
BH-7488-1378	FP9KDX-101 KY-8440T-6000-4	10' 11-1/2"	3/8"	FP9K-DX-XLT • Left Rear LR
BH-7488-1379	FP9KDX-100 KY-8440T-6000-4	15' 10-11/32"	3/8"	FP9K-DX-XLT • Right Rear RR
BH-7489-1100	FP12K-K-018			FP12K-K
BH-7489-1101	FP12K-K-032			FP12K-K
BH-7488-1634	FP14KA-C-082 165976*01-082			FP14KA-C
BH-7488-1759	FP14KO-A-093 TT5DL-100-20	34' 5"		FP14KO-A Cable C, Left Front LF
BH-7488-1760	FP14KO-A-094 TT5DL-100-20	39' 1"		FP14KO-A Cable D, Right Front RF
BH-7488-1761	FP14KO-A-096 TT5DL-100-20	14' 8"		FP14KO-A Cable A, Left Rear LR
BH-7488-1762	FP14KO-A-095 TT5DL-100-20	19' 4-1/2"		FP14KO-A Cable B, Right Rear RR



MANY MORE CABLES AVAILABLE

Also see SVI's Cable Reference Book

SVI Specializes in Standard and Custom Cables

For specially made cables or any cables that require clarification, fill out our Cable Worksheet.

SVI's here to help! Call 800-321-8173 • Fax: 800-899-1784



SVI's Product Line is Vast

CONTACT US TODAY IF THERE'S SOMETHING YOU CAN'T FIND

800-321-8173 • 815-748-0200 • www.sviinternational.com



Shims for 3/4" Wedge and Screw Anchors

Color Coded Shims are In-Stock! Order Today!

BH-7512-92	Assortment	150 Shims (50 each)
BH-7512-90	1/16" Blue	Pack of 50
BH-7512-91	1/8" Red	Pack of 50
BH-7512-89	1/4" Black	Pack of 50

HEAVY DUTY PLASTIC SLOTTED SHIMS

Extra-thick shims make it easy to level and align 2- and 4-post surface mount lifts. These rugged plastic shims will not corrode, rot or rust. A must-have for every professional lift installer in the industry.



Installation Kits Available

Installation Supplies

- Carbide Drill Bits
- Core Bits
- Epoxy and Adhesives
- Wedge Anchors
- Screw Anchors
- Rebar Cutters and Adapter
- Rod Seal Install Tools
- Safety & Inspection Stickers

Many Sizes Available!

Available!



Simpson Carbide Drill Bits Many Options and Sizes Available!

BH-7064Q-12-21 (Drilling Depth 16" / 3/4" dia.) SDS Max Quad Head Bit

BH-7065Q-12-23 (Drilling Depth 18" / 3/4" dia.) Spline Shank Quad Head Bit

BH-7065Q-12-16 (Drilling Depth 11" / 3/4" dia.) Spline Shank Quad Head Bit



Wheel / Tire Hanger Kits

Increase Efficiency • For Any Budget



SF-92100 Set of 2

BH-7545-70K-4 Kit of 4
BH-7545-70K Individual
Includes Hardware



Wedge Anchors
Many Sizes Available!
BH-7075-03
3/4" x 5-1/2"

Ask How to Get Free Shipping on Wedge Anchors!



Screw Anchors
Many Sizes Available!
BH-7075-26
1/2" x 4"
BH-7075-37
3/4" x 5"



Rod Seal Install Tool Set
BH-7079-01
Includes 3 Install Tools to Service 3/4" ID Seals up to 3" ID Seals



Inspection Stickers
Roll of 250
BH-7011-11

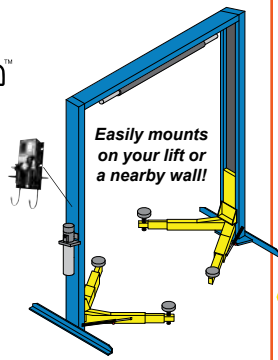
ASK FOR OUR INSTALLATION SUPPLIES CATALOG

Air / Hydraulic Pumps for Rolling Bridge Jacks

Options Available—Call Today!



POWER STATION™ AIR / ELECTRIC UTILITY BOX



Easily mounts on your lift or a nearby wall!

Vehicle Lifts and Lifting Equipment

New Lifts for Cars, Trucks, Buses, Motorcycles, UTVs and More
Replacement Cylinders Sections & Kits • Turf Trays for 2-Post Lifts



SVI's Product Line is Vast

CONTACT US TODAY IF THERE'S SOMETHING YOU CAN'T FIND

800-321-8173 • 815-748-0200 • www.sviinternational.com

INCREASE EFFICIENCY • ELIMINATE COSTLY DAMAGE TO DOORS • REDUCE STRESS OF SHOP TECHNICIANS

doorjammer **PRO**™
Durable • Impact Resistant

A Must-Have for All 2-Post Lifts!

Available in 2 Sizes!

- BH-7077-02-2S** 12" tall x 18" wide
- BH-7077-02-2** 24" tall x 18" wide

Prevents Door Dings!
Just one damaged door can cost
3 times as much as a simple investment
in one SVI doorjammerPRO™.



Patent Protected

Auto Lift Cables and Chain Sheaves / Pulleys / Chain Rollers



TURF AND UTILITY TRAYS

FOR 2-POST LIFTS
SYMMETRIC / ASYMMETRIC

The #1 Choice for Symmetric or Asymmetric 2-Post Surface Mount Lifts and In-Ground Side-By-Side, too!



Hose Reel Hose Stops

Options Available—Call Today!



Auto Lift Power Units and Parts

Call SVI today!



Tire Changer Parts and Accessories

For Most Makes and Models

See our *Tire Changer Repair Parts Catalog!*



Brake Lathe Repair Parts

For Most Makes and Models

See our *Brake Lathe Repair Parts Catalog!*





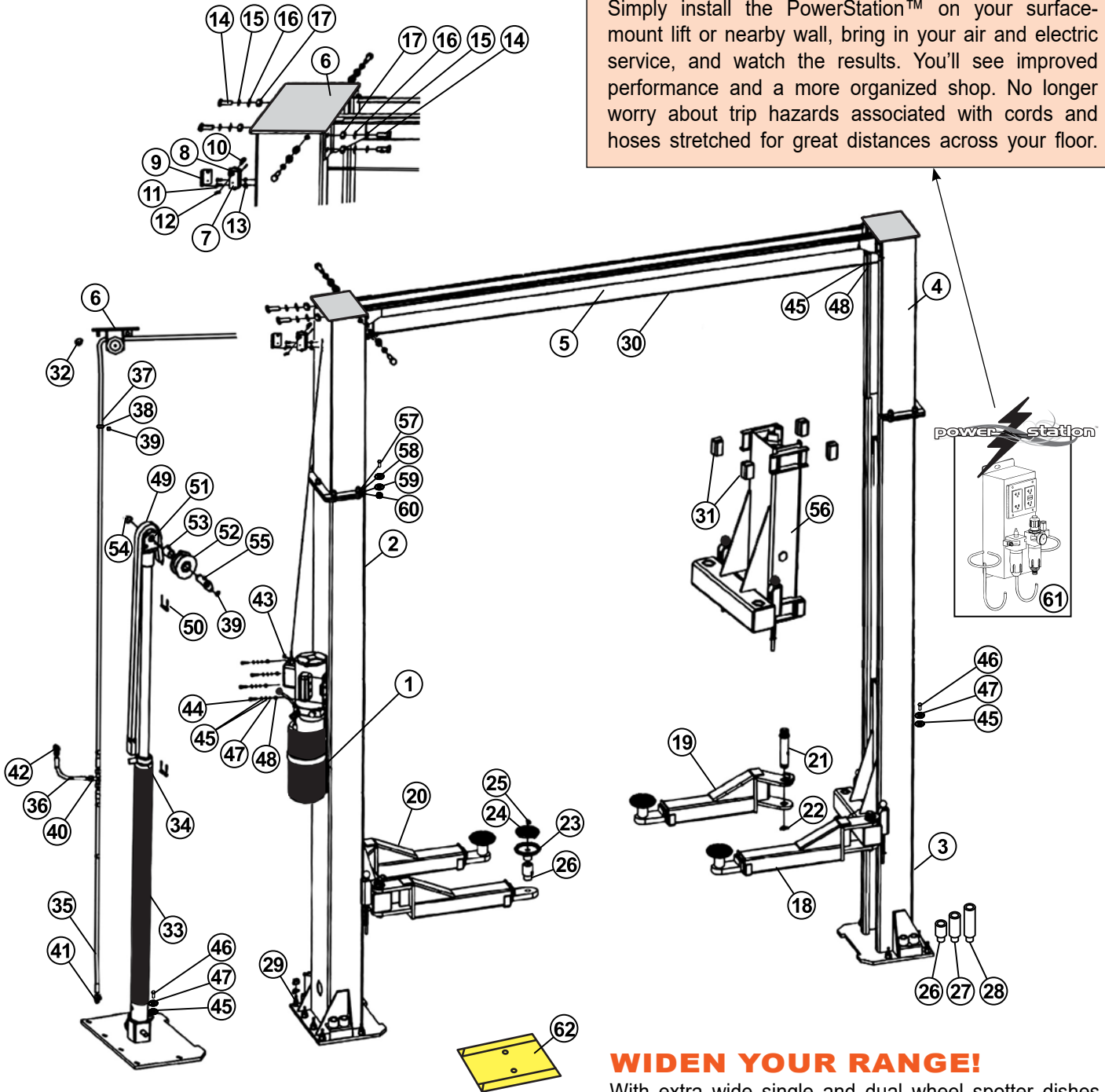
For Model TP7KAC

7,000 lb. Capacity 2-Post Asymmetric Clear Floor Lift

DIRECTFIT™

SVI's DIRECT FIT™ BRAND

POWERSTATION™ AIR/ELECTRIC UTILITY BOX
 Simply install the PowerStation™ on your surface-mount lift or nearby wall, bring in your air and electric service, and watch the results. You'll see improved performance and a more organized shop. No longer worry about trip hazards associated with cords and hoses stretched for great distances across your floor.



P
a
g
e

10



Need repair parts or consumables for your Tire Changer?
 SVI is your answer!

WIDEN YOUR RANGE!

With extra wide single and dual wheel spotter dishes exclusively from SVI. Our wheel spotters are stamped from heavy gauge steel then powder coated and shipped with installation hardware. Each spotter is a **full 15" wide** to provide safe spotting for both wide and narrow wheelbase vehicles.

- BH-9701** • Single Wheel Spotter Dish 10-3/4" x 15"
- BH-9702** • Dual Wheel Spotter Dish 20-1/8" x 15"



For Model TP7KAC

7,000 lb. Capacity 2-Post Asymmetric Clear Floor Lift

DIRECTFIT™
SVI's DIRECT FIT™ BRAND

Item	SVI Part #	Cross Ref #	Description	Qty
1	BH-7006A-XX	TP7KAC-35	Power Unit	1
2	BH-7485-0007	TP7KAC-01	Main Column (power unit side)	1
3	BH-7485-0008	TP7KAC-02	Column (opposite)	1
4	BH-7485-0009	TP7KAC-03	Column Extension	2
5	BH-7485-0010	TP7KAC-09	Overhead Cross Beam	1
6	BH-7485-0011	TP7KAC-04	Top Cover for Column	2
7	BH-7485-0012	TP7KAC-16	Bracket	1
8	BH-7485-0017	TP7KAC-12	Cable Sheave	1
9	BH-7485-0018	TP7KAC-13	Shield Plate	1
10	BH-7485-0019	TP7KAC-11	Sheave Shaft	1
11	BH-7485-0020	TP7KAC-14	Cross Screw	2
12	BH-7485-0021	TP7KAC-15	Retaining Ring	1
13	BH-7485-0022	TP7KAC-17	Nut	2
14	BH-7485-0023	TP7KAC-05	Hex Bolt	16
15	BH-7485-0024	TP7KAC-06	Spring Washer	20
16	BH-7485-0025	TP7KAC-07	Flat Washer	20
17	BH-7485-0026	TP7KAC-08	Nut	20
18	BH-7485-0013	TP7KAC-29	Long Swing Arm	2
19	BH-7485-0014L	TP7KAC-23L	Short Arm - Left	1
20	BH-7485-0014R	TP7KAC-23R	Short Arm - Right	1
21	BH-7485-0015	TP7KAC-22	Swing Arm Pin	4
22	BH-7485-0016	TP7KAC-24	Spindle Spring Washer	4
23	BH-7485-0002	TP7KAC-27	Lifting Pad Adapter	4
24	BH-7485-0001	TP7KAC-26	Rubber Arm Pad	4
25	BH-7485-0061	TP7KAC-25	Hexagon Socket Screw	8
26	BH-7485-0003	TP7KAC-28	Height Extension - Short	4
27	BH-7485-0004	TP7KAC-39	Height Extension - Medium	4
28	BH-7485-0005	TP7KAC-40	Height Extension - Tall	4
29	BH-7075-03		3/4" x 5-1/2" Zinc Plated Steel Wedge Anchor	
29A	BH-7485-0027	TP7KAC-38	Anchor Bolt	12
29B	BH-7485-0028	TP7KAC-37	Anchor Washer	12
29C	BH-7485-0029	TP7KAC-36	Anchor Nut	12
30	BH-7485-0044	TP7KAC-10	Overhead Limit Cable	1
31	BH-7485-0043	TP7KAC-55	Slider Block	16

Item	SVI Part #	Cross Ref #	Description	Qty
32	BH-7485-0045	TP7KAC-70	Hydraulic Hose Sleeve	4
33	BH-7485-0046	TP7KAC-62	Hydraulic Cylinder	2
34	BH-7485-0047	TP7KAC-63	Cylinder Holding Bracket	2
35	BH-7485-0048	TP7KAC-72	Short Hose	1
36	BH-7485-0050	TP7KAC-73	Connecting Hose	1
37	BH-7485-0049	TP7KAC-76	Long Hose	1
38	BH-7485-0051	TP7KAC-77	Hose Clip	17
39	BH-7485-0052	TP7KAC-44	Hex Socket Screw	19
40	BH-7485-0053	TP7KAC-74	T-Fitting	1
41	BH-7485-0054	TP7KAC-71	Elbow Fitting	2
42	BH-7485-0042	TP7KAC-75	Power Unit Fitting	1
43	BH-7485-0055	TP7KAC-41	Cotter Pin	1
44	BH-7485-0056	TP7KAC-33	Hex Socket Screw	4
45	BH-7485-0057	TP7KAC-32	Flat Washer	14
46	BH-7485-0058	TP7KAC-30	Hex Socket Screw	4
47	BH-7485-0059	TP7KAC-31	Spring Washer	8
48	BH-7485-0060	TP7KAC-34	Nut	7
49	BH-7485-0030	TP7KAC-42	Chain (See SVI Chain Book)	2
50	BH-7485-0033	TP7KAC-43	Cotter Pin	10
51	BH-7485-0031	TP7KAC-49	Chain Roller Bracket	2
52	BH-7485-0032	TP7KAC-46	Chain Roller	2
53	BH-7485-0034	TP7KAC-47	Bearing	2
54	BH-7485-0035	TP7KAC-48	Retaining Ring	2
55	BH-7485-0036	TP7KAC-45	Chain Roller Shaft	2
56	BH-7485-0037	TP7KAC-54	Carriage	2
57	BH-7485-0038	TP7KAC-18	Hex Bolt	10
58	BH-7485-0039	TP7KAC-19	Spring Washer	10
59	BH-7485-0040	TP7KAC-20	Flat Washer	10
60	BH-7485-0041	TP7KAC-21	Nut	10
61	BH-7070-K		Power Station Air/Electric Utility Box	1
62	BH-9701		Single Wheel Spotter Dish 10-3/4" x 15" Wide	1
62	BH-9702		Dual Wheel Spotter Dish 20-1/8" x 15" Wide	1



Insist on SVI Direct Fit™ brand Products!

Whether it's standard or custom, SVI is your answer.

Don't see what you need?

Contact SVI today!

800-321-8173

parts@sviintl.com

TURF AND UTILITY TRAYS

FOR 2-POST LIFTS
SYMMETRIC / ASYMMETRIC

The #1 Choice for Symmetric or Asymmetric 2-Post Surface Mount Lifts and In-Ground Side-By-Side, too!

Various Styles Available!

Contact SVI today!

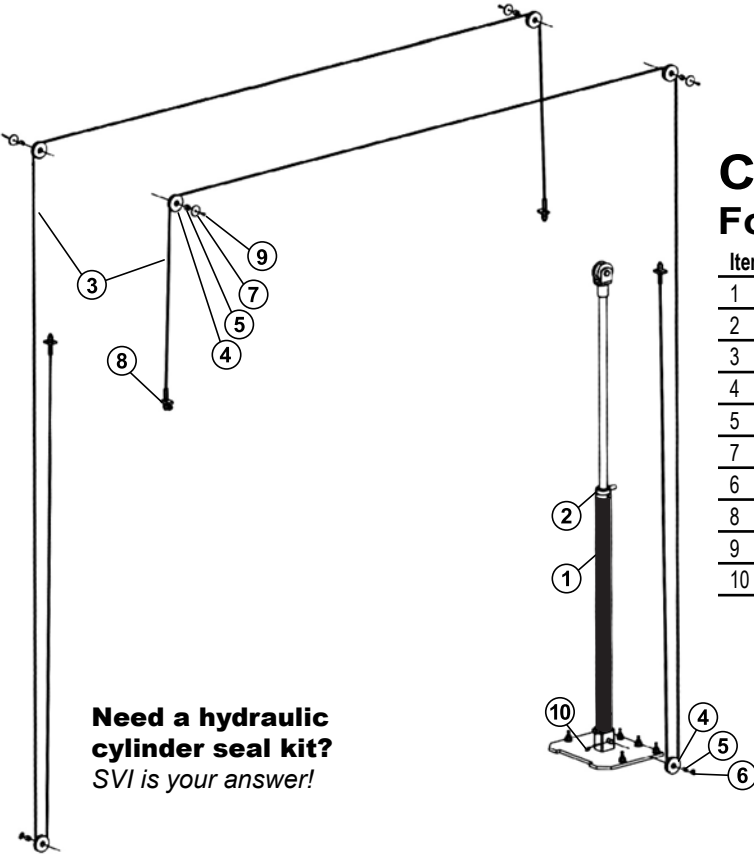




For Model TP7KAC

7,000 lb. Capacity 2-Post Asymmetric Clear Floor Lift

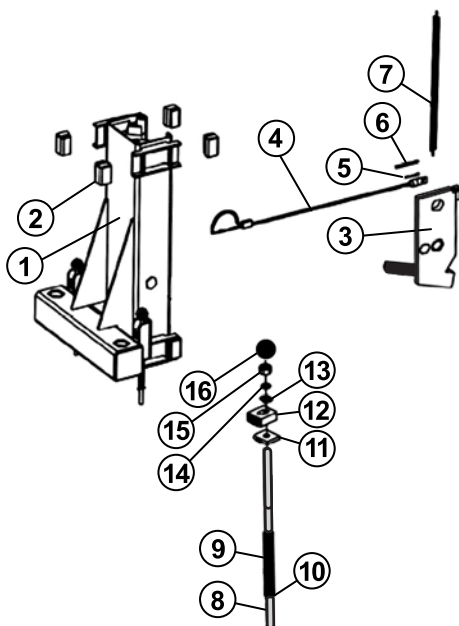
DIRECTFIT™
SVI's DIRECT FIT™ BRAND



Need a hydraulic cylinder seal kit?
SVI is your answer!

Cable Detail For Model TP7KAC

Item	SVI Part #	Cross Ref #	Description	Qty
1	BH-7485-0046	TP7KAC-62	Hydraulic Cylinder	2
2	BH-7485-0047	TP7KAC-63	Cylinder Holding Bracket	2
3	BH-7489-1264	TP7KAC-64	Equalizer Cable for TP7KAC	2
4	BH-7485-0073	TP7KAC-68	Pulley / Sheave	6
5	BH-7485-0074	TP7KAC-67	Bearing	6
7	BH-7485-0075	TP7KAC-66	Pulley Plate	4
6	BH-7485-0076	TP7KAC-69	Pulley Washer	2
8	BH-7485-0072	TP7KAC-65	Nut	8
9	BH-7485-0061	TP7KAC-25	Hexagon Socket Screw	8
10	BH-7485-0065	TP7KAC-53	Cotter Pin	4



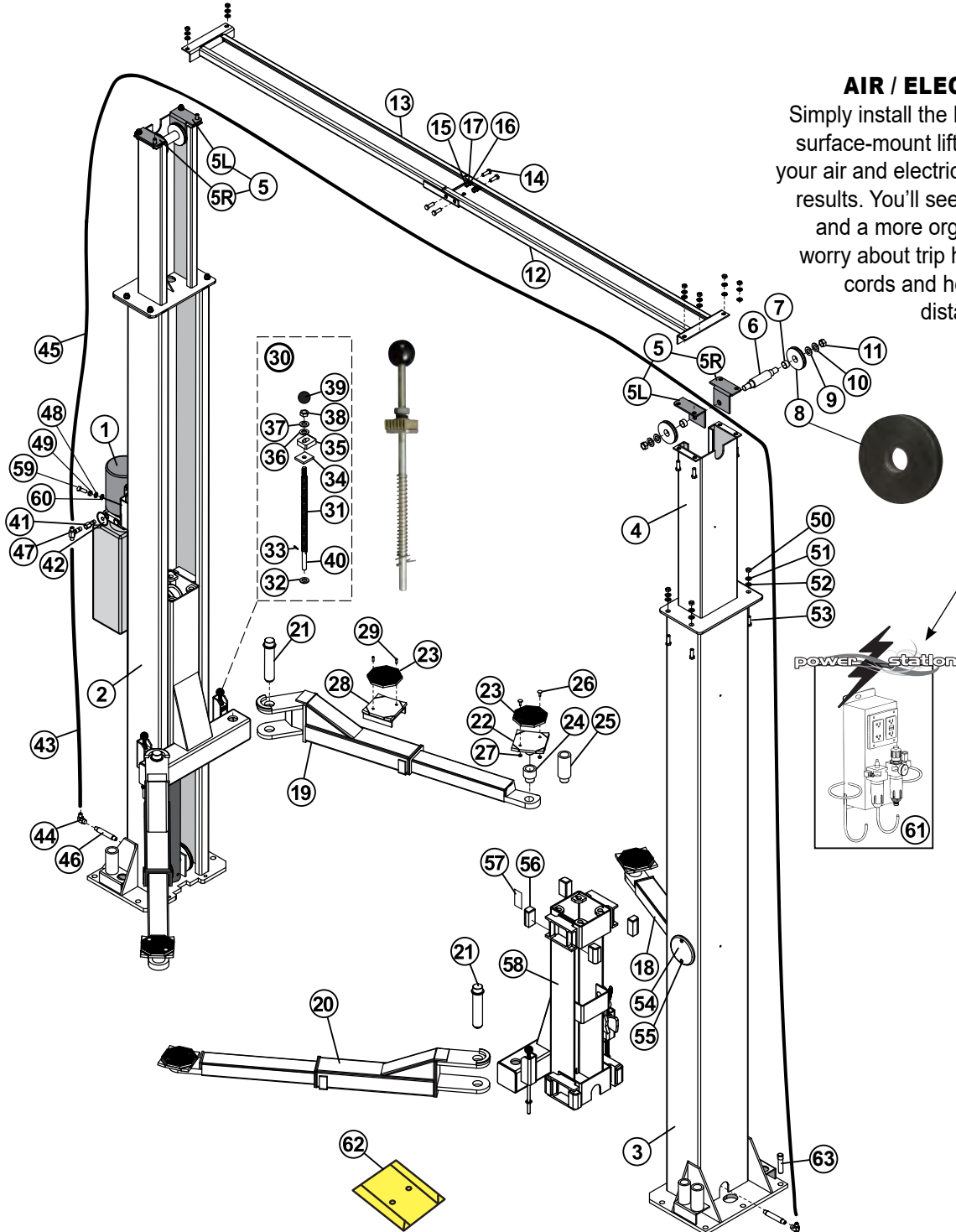
Lock Detail For Model TP7KAC

Item	SVI Part #	Cross Ref #	Description	Qty
1	BH-7485-0037	TP7KAC-54	Carriage	2
2	BH-7485-0043	TP7KAC-55	Slider Block	16
3	BH-7485-0062	TP7KAC-50	Carriage Lock Assembly	2
4	BH-7485-0064	TP7KAC-51	Lock Release Cable Assembly	2
5	BH-7485-0033	TP7KAC-43	Cotter Pin	10
6	BH-7485-0065	TP7KAC-53	Cotter Pin	4
7	BH-7485-0063	TP7KAC-52	Spring	2
8	BH-7485-0066	TP7KAC-56	Pull Handle	4
9	BH-7485-0068	TP7KAC-58	Spring	4
10	BH-7485-0067	TP7KAC-57	Cotter Pin	4
11	BH-7485-0069	TP7KAC-59	Limit Board	4
12	BH-7485-0070	TP7KAC-60	Gear Rack	4
13	BH-7485-0025	TP7KAC-07	Flat Washer	20
14	BH-7485-0024	TP7KAC-06	Spring Washer	20
15	BH-7485-0026	TP7KAC-08	Nut	20
16	BH-7485-0071	TP7KAC-61	Lock Release Ball/Knob	4

For Model TP9KAC

9,000 lb. Capacity 2-Post Asymmetric Clear Floor Lift

DIRECTFIT™
SVI's DIRECT FIT™ BRAND



**POWER STATION™
AIR / ELECTRIC UTILITY BOX**

Simply install the PowerStation™ on your surface-mount lift or nearby wall, bring in your air and electric service, and watch the results. You'll see improved performance and a more organized shop. No longer worry about trip hazards associated with cords and hoses stretched for great distances across your floor.

WIDEN YOUR RANGE!

With extra wide single and dual wheel spotter dishes exclusively from SVI. Our wheel spotters are stamped from heavy gauge steel then powder coated and shipped with installation hardware. Each spotter is a **full 15" wide** to provide safe spotting for both wide and narrow wheelbase vehicles.

BH-9701 • Single Wheel Spotter Dish 10-3/4" x 15"

BH-9702 • Dual Wheel Spotter Dish 20-1/8" x 15"

All names, numbers, symbols and descriptions are used for reference purposes only. It is not implied that any part listed is the product of these manufacturers. SVI does not represent and is not associated in any way with any other companies.

**SVI is the
#1 Source of
Power Units
and Parts**





For Model TP9KAC
9,000 lb. Capacity 2-Post Asymmetric Clear Floor Lift

DIRECTFIT™
SVI's DIRECT FIT™ BRAND

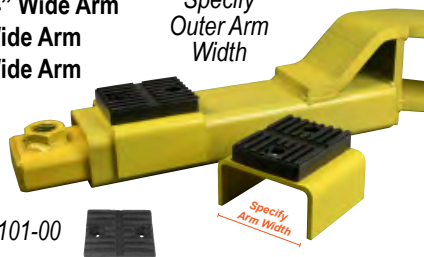
Item	SVI Part #	Cross Ref #	Description	Qty
1	BH-7006A-XX		Power Unit	1
2	BH-7485-0104	TP9-1032	Column (power unit side)	1
3	BH-7485-0103	TP9-1030	Column (offside)	1
4	BH-7485-0117	TP9-1051	Column Extension	2
5	BH-7486-40	TP9-1047	Upper Sheave Bracket Set	2
5L	BH-7486-40L	TP9-1047L	Upper Sheave Bracket - Left	2
5R	BH-7486-40R	TP9-1047R	Upper Sheave Bracket - Right	2
6	BH-7486-41	TP9-1048	Upper Sheave Shaft	2
6	BH-7486-41K	TP9-1048x	Upper Sheave & Sheave Shaft Kit 1 Column	2
7	BH-7486-42	TP9-1049	Upper Sheave Spacer	4
8	BH-7486-27	TP9-1100	Cable Sheave	4
9	F-LW-M20	TP9-1077	Lock Washer	4
10	F-FW-M20	TP9-1076	Flat Washer	4
11	F-HN-M20-2.5	TP9-1067	Hex Nut	4
12	BH-7485-0112	TP9-1043	Overhead Cross Beam - Inner	1
13	BH-7485-0113	TP9-1044	Overhead Cross Beam - Outer	1
14	BH-7485-0145	TP9-1098	Bolt, M12 x 30	4
15	BH-7485-0146	TP9-1099	Nut, M12	4
16	BH-7485-0114	TP9-1045	Lock Washer	4
17	BH-7485-0115	TP9-1046	Flat Washer	4
18	BH-7485-0083	TP9-1006	Arm Assembly - Front Left	1
19	BH-7485-0084	TP9-1007	Arm Assembly - Front Right	1
20	BH-7485-0080	TP9-1003	Arm Assembly - Rear	2
21	BH-7485-0082	TP9-1005	Arm Pin	4
22	BH-7485-0078	TP9-1001	Adapter Base	4
23	BH-7270-048	TP9-1002 / TP9-1055	Rubber Arm Pad	4
24	BH-7485-0108	TP9-1038	Nesting Height Extension - Short	4
25	BH-7485-0109	TP9-1039	Nesting Height Extension - Tall	4
26	BH-7485-0127	TP9-1065	Elevator Bolt	8
27	BH-7485-0142	TP9-1088	Nut, M8	8
28	BH-7485-0126	TP9-1064	Arm Adapter Base	4
29	BH-7485-0143	TP9-1089	Bolt, M8 x 16	8
30	BH-7485-0102	TP9-1029	Arm Restraint Pin Assembly	4
30	BH-7486-09		Arm Restraint Ass'y (with 7 Teeth)	
31	BH-7485-0090	TP9-1013	Arm Restraint Spring	4
32	BH-7485-0091	TP9-1014	Washer	4
33	BH-7485-0092	TP9-1015	Cotter Pin	4

Item	SVI Part #	Cross Ref #	Description	Qty
34	BH-7485-0137	TP9-1080	Nut, M10	4
35	BH-7485-0089	TP9-1012	Arm Restraint Gear (small)	4
36	BH-7485-0139	TP9-1084	Lock Washer	4
37	BH-7485-0138	TP9-1083	Flat Washer	4
38	BH-7485-0136	TP9-1081	Square Washer	4
39	BH-7485-0118	TP9-1053	Arm Lock Knob	4
40	BH-7485-0088	TP9-1011	Arm Restraint Pin	4
41	BH-7485-0144	TP9-1095	Hydraulic Fitting	1
42	BH-7485-0095	TP9-1018	Washer	1
43	BH-7485-0105	TP9-1033	Hydraulic Hose (Cyl. to P.U.)	1
44	BH-7485-0101	TP9-1027	90 Degree Elbow Fitting	2
45	BH-7485-0111	TP9-1042	Hydraulic Hose (overhead)	1
46	BH-7485-0100	TP9-1026	Straight Fitting	2
47	BH-7485-0135	TP9-1078	Fitting, Tee	1
48	BH-7485-0107	TP9-1036	Flat Washer	4
49	BH-7485-0106	TP9-1035	Lock Washer	4
50	BH-7485-0132	TP9-1072	Nut, M12	8
51	BH-7485-0133	TP9-1073	Flat Washer	8
52	BH-7485-0134	TP9-1074	Lock Washer	8
53	BH-7485-0131	TP9-1071	Bolt, M12 x 40	8
54	BH-7485-0085	TP9-1008	Carriage Lock Access Cover	1
55	BH-7485-0129	TP9-1069	Bolt, M6 x 10	1
56	BH-7485-0087	TP9-1010	Slider Block	16
57	BH-7485-0123	TP9-1059	Shim for Carriage Slider	
58	BH-7485-0086	TP9-1009	Carriage	1
59	BH-7485-0128	TP9-1066	Bolt, M8 x 15	4
60	BH-7485-0110	TP9-1040	M8 Nut	4
61	BH-7070-K		Power Station Air / Electric Utility Box	1
62	BH-9701		Single Wheel Spotter Dish 10-3/4" x 15" Wide	1
62	BH-9702		Dual Wheel Spotter Dish 20-1/8" x 15" Wide	1
63	BH-7075-03	WA375x512	Wedge Anchor	
--	NOT SHOWN:			
--	BH-7485-0119	TP9-1054	Ferrule (large / USA)	
--	BH-7485-0120	TP9-1063	Ferrule (large / Import)	

Outer Arm Adapter with Rubber Pad for Any Lift

- BH-7090-97 • For 3-1/2" Wide Arm**
- BH-7090-94 • For 4" Wide Arm**
- BH-7090-98 • For 4-3/4" Wide Arm**
- BH-7090-95 • For 5" Wide Arm**
- BH-7090-96 • For 6" Wide Arm**

Specify
Outer Arm
Width



Works well with
Toyota GR Supra
and Low-Profile Cars

Replacement Pad: BH-7101-00

**TURF
AND UTILITY
TRAYS**

FOR 2-POST LIFTS
SYMMETRIC / ASYMMETRIC

**The #1 Choice for
Symmetric or Asymmetric
2-Post Surface Mount Lifts
and In-Ground
Side-By-Side, too!**

*Various Styles
Available!
Contact
SVI today!*

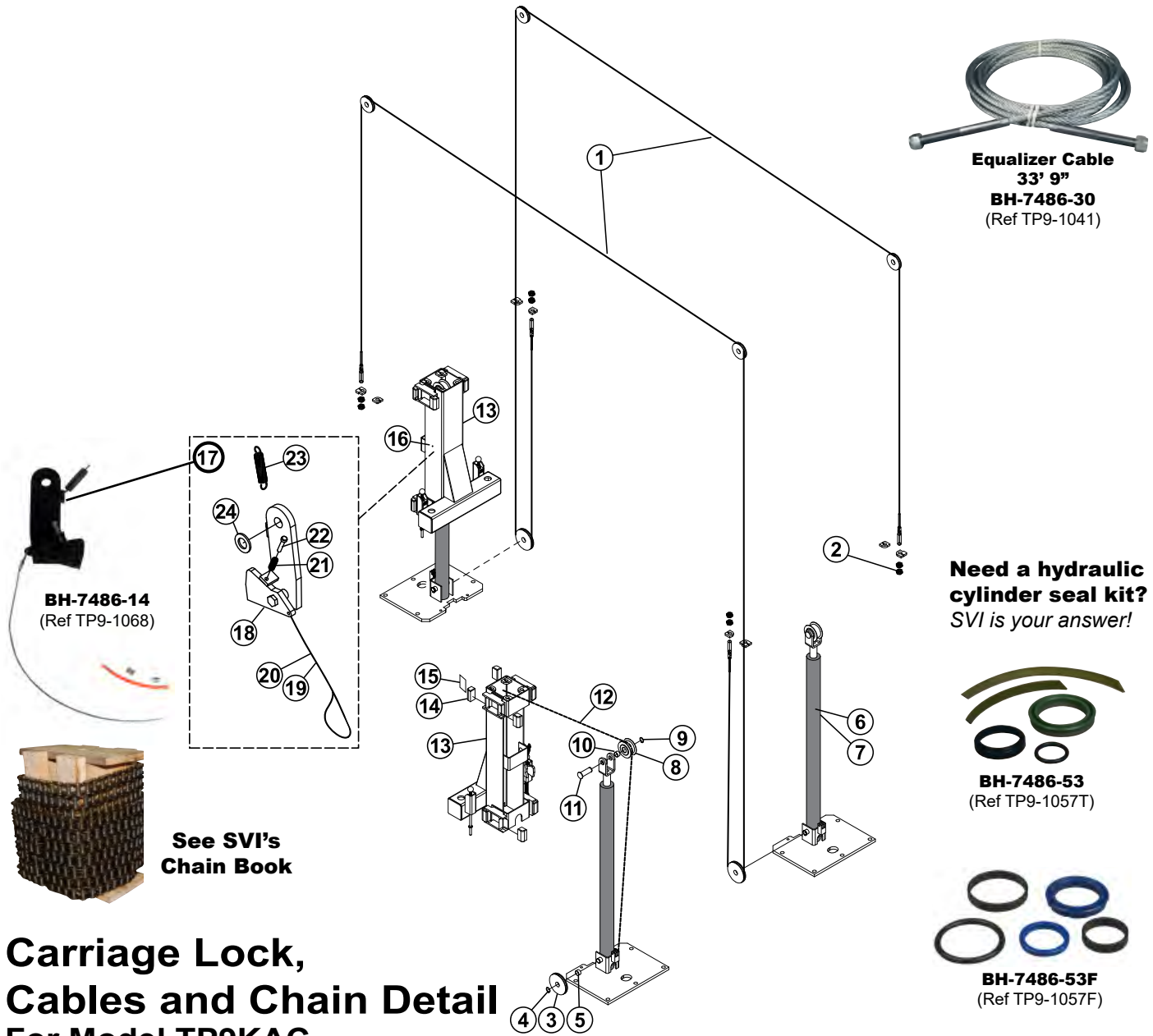




For Model TP9KAC

9,000 lb. Capacity 2-Post Asymmetric Clear Floor Lift

DIRECTFIT™
SVI's DIRECT FIT™ BRAND



Equalizer Cable
33' 9"
BH-7486-30
(Ref TP9-1041)

BH-7486-14
(Ref TP9-1068)

Need a hydraulic cylinder seal kit?
SVI is your answer!

BH-7486-53
(Ref TP9-1057T)

See SVI's Chain Book

BH-7486-53F
(Ref TP9-1057F)

Carriage Lock, Cables and Chain Detail For Model TP9KAC

Item	SVI Part #	Cross Ref #	Description	Qty
1	BH-7486-30	TP9-1041	Equalizer Cable 33' 9"	2
2	BH-7485-0130	TP9-1070	Cable Nut	4
3	BH-7485-0099	TP9-1025	Cable Sheave	2
4	BH-7485-0081	TP9-1004	Spindle Lock Washer	2
5	BH-7485-0116	TP9-1050	Sheave Spacer	2
6	BH-7485-0098	TP9-1024	Hydraulic Cylinder	2
7	BH-7486-53	TP9-1057 TP9-1057T	Seal Kit for TP9KAC	2
7	BH-7486-53F	TP9-1057F	Seal Kit for TP9KAC	2
8	BH-7486-24	TP9-1022	Chain Roller	2
9	BH-7486-23	TP9-1021	Sheave / Pulley Pin "C" clip	2
10	BH-7486-24B	TP9-1086	Bushing for BH-7486-24 Roller	2
11	BH-7486-22	TP9-1020	Sheave / Pulley Pin	2

Item	SVI Part #	Cross Ref #	Description	Qty
12	BH-7485-0097	TP9-1023	Chain (See SVI Chain Book)	2
13	BH-7485-0086	TP9-1009	Carriage	2
14	BH-7485-0087	TP9-1010	Slider Block	16
15	BH-7485-0123	TP9-1059	Shim for Carriage Slider	
16	BH-7485-0147	TP9-1101	Cotter Pin	2
17	BH-7486-14	TP9-1068	Carriage Lock Assembly	2
18	BH-7485-0096	TP9-1019	Carriage Lock	2
19	BH-7485-0093	TP9-1016	Lock Release Cable Assembly	2
20	BH-7485-0141	TP9-1087	Lock Release Cable Cover	2
21	BH-7485-0125	TP9-1062	Spring	2
22	BH-7485-0124	TP9-1061	Carriage Lock Set Screw	2
23	BH-7485-0094	TP9-1017	Lock Release Spring	2
24	BH-7485-0140	TP9-1085	Flat Washer	2

P
a
g
e
15



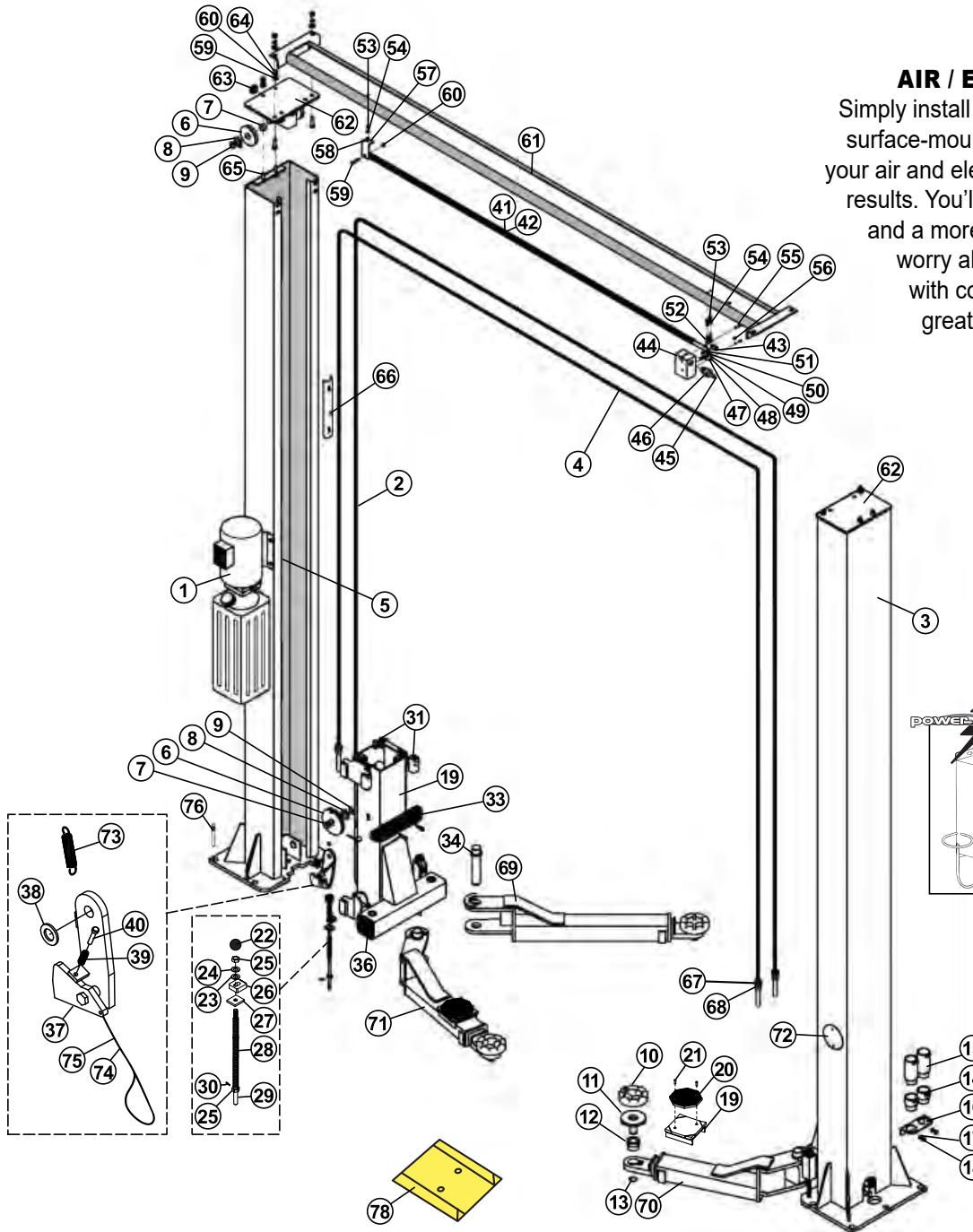
For Model TP9KACX / TP9KSCX

TP9KACX • 9,000 lb. Capacity 2-Post Asymmetric Clear Floor Lift

TP9KSCX • 9,000 lb. Capacity 2-Post Symmetric Clear Floor Lift

DIRECTFIT™

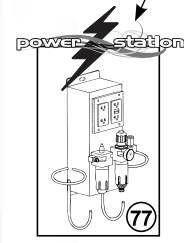
SVI's DIRECT FIT™ BRAND



POWER STATION™

AIR / ELECTRIC UTILITY BOX

Simply install the PowerStation™ on your surface-mount lift or nearby wall, bring in your air and electric service, and watch the results. You'll see improved performance and a more organized shop. No longer worry about trip hazards associated with cords and hoses stretched for great distances across your floor.



WIDEN YOUR RANGE!

With extra wide single and dual wheel spotter dishes exclusively from SVI. Our wheel spotters are stamped from heavy gauge steel then powder coated and shipped with installation hardware. Each spotter is a **full 15" wide** to provide safe spotting for both wide and narrow wheelbase vehicles.

BH-9701 • Single Wheel Spotter Dish 10-3/4" x 15"

BH-9702 • Dual Wheel Spotter Dish 20-1/8" x 15"

Need repair parts or consumables for your Tire Changer?
SVI is your answer!





For Model TP9KACX / TP9KSCX

TP9KACX • 9,000 lb. Capacity 2-Post Asymmetric Clear Floor Lift

TP9KSCX • 9,000 lb. Capacity 2-Post Symmetric Clear Floor Lift

DIRECTFIT™
SVI's DIRECT FIT™ BRAND

Item SVI Part #	Cross Ref #	Cross Ref #	Description	Qty
1	BH-7006A-XX	TP9KACX-067	PU-220V-L-H-X Power Unit	1
2	BH-7485-0149	TP9KACX-001	TT-6835-100-00AKY Main Column (power unit side)	1
3	BH-7485-0150	TP9KACX-002	TT-6835-100-00BKY Column (offside)	1
4	BH-7485-0219	TP9KACX-064	TT-6835-CABLE Equalizer Cable, 407.5"	2
5	BH-7485-0153	TP9KACX-005	TT-6835-100-03 Cable Nut	1
6	BH-7485-0190	TP9KACX-041	TPF4-100-10-05 Cable Sheave	6
7	BH-7485-0189	TP9KACX-040	SF-1 2515 Combined Bushing	6
8	BH-7485-0191	TP9KACX-042	XG4.5A01-04 Sheave Spacer	6
9	BH-7485-0192	TP9KACX-043	GB894-1-86 D25 Retaining Ring	6
10	BH-7485-0162	TP9KACX-014	TT-6934-046405772 Rubber Arm Pad	4
11	BH-7485-0163	TP9KACX-015	TT-6934-048417190LKY Adapter Base	4
12	BH-7485-0164	TP9KACX-016	TT-6934-048417160KY Swivel Pad, Screw Collar	4
13	BH-7485-0165	TP9KACX-017	GB/T895.2-1986 D28 Retaining Ring	4
14	BH-7485-0152	TP9KACX-004	TT-6934-400-09-00KY Nesting Height Extension 1-3/8"	4
15	BH-7485-0151	TP9KACX-003	TT-6934-400-10-00KY Nesting Height Extension 4"	4
16	BH-7485-0154	TP9KACX-006	TT-6934-100-14KY Extension Hanger Bracket	2
17	BH-7485-0156	TP9KACX-008	GB95-1985 D8 Flat Washer D8	4
18	BH-7485-0155	TP9KACX-007	GB818-85 M8X10 Bolt	4
19	BH-7485-0159	TP9KACX-011	TPF4-400-04-00 Saddle Adapter Base	2
20	BH-7485-0160	TP9KACX-012	TPF4-400-01A Rubber Arm Pad Octagon	2
21	BH-7485-0161	TP9KACX-013	GB819-2000 M8X12 Screw M8x12	4
22	BH-7485-0175	TP9KACX-026	Arm Restraint Pull Knob	4
23	BH-7485-0176	TP9KACX-027	GB97.2-85 D10 Washer	8
24	BH-7485-0177	TP9KACX-028	GB93-87 D10 Washer	4
25	BH-7485-0178	TP9KACX-029	GB6170-2000 M10 Nut	4
26	BH-7485-0179	TP9KACX-030	TPF4A-200-11-04 Arm Restraint Gear Bar	4
27	BH-7485-0180	TP9KACX-031	TPF4-200-11-05 Arm Restraint Plate	4
28	BH-7485-0181	TP9KACX-032	QYS-200-17 Spring	4
29	BH-7485-0183	TP9KACX-034	TPF4A-200-11-01 Arm Restraint Rod	4
30	BH-7485-0182	TP9KACX-033	GB91 d2.5X14 Cotter Pin	4
31	BH-7488-70	TP9KACX-023	DL38G-C109A Slider Block	16
32	BH-7485-0171	TP9KACX-022	DL38G-C116A Rubber Door Guard	2
33	BH-7485-0170	TP9KACX-021	GB70.1-2000 M8X35 Screw	4
34	BH-7485-0169	TP9KACX-020	TPF4-400-06-00 Swing Arm Pin	4
35	BH-7485-0173	TP9KACX-024	TT-6934-200-01-00KY Carriage, TP9KX	2
36	BH-7485-0174	TP9KACX-025	TT-6934-200-02 Plastic Cover, Carriage	4
37	BH-7485-0184	TP9KACX-035	TPF4-300-00 Lock Latch	2
38	BH-7485-0185	TP9KACX-036	GB95-1985 D20 Flat Washer	2
39	BH-7485-0187	TP9KACX-038	TPF4-300-09 Spring	2
40	BH-7485-0186	TP9KACX-037	GB818-2000 M6x30 Screw	2
41	BH-7485-0205	TP9KACX-052	DL38G-L103A-00 Overhead Shutoff Bar	1
42	BH-7485-0206	TP9KACX-053	Foam Rubber	1
43	BH-7485-0215	TP9KACX-060	Overhead Cutoff Limit Switch	1

Item SVI Part #	Cross Ref #	Cross Ref #	Description	Qty
44	BH-7485-0207	TP9KACX-054	Switch Box, OH Shut-Off	1
45	BH-7485-0209	TP9KACX-056	Cable, Overhead Shutoff	1
46	BH-7485-0208	TP9KACX-055	PG13.5 Cable Connector	1
47	BH-7485-0214	TP9KACX-059	Plate	1
48	BH-7485-0210	TP9KACX-057	GB818-2000 M4X25 Screw	2
49	BH-7485-0211	TP9KACX-058	GB6170-2000 M4 Nut	6
50	BH-7485-0212	TP9KACX-058.1	GB818-2000 M3X20 Screw	2
51	BH-7485-0213	TP9KACX-058.2	GB6170-2000 M3 Nut	4
52	BH-7485-0216	TP9KACX-061	GB818-2000 M6X35 Screw	2
53	BH-7485-0200	TP9KACX-049	GB/6170-2000 M6 Nut	7
54	BH-7485-0201	TP9KACX-050	GB/T 93-1987 D6 Lock Washer	3
55	BH-7485-0218	TP9KACX-063	GB818-2000 M4X14 Screw	2
56	BH-7485-0217	TP9KACX-062	Cover	1
57	BH-7485-0203	TP9KACX-050.2	TT-6643-L104A Bracket for Overhead Shutoff Bar	1
58	BH-7485-0202	TP9KACX-050.1	GB818-2000 M6X20 Screw	1
59	BH-7485-0196	TP9KACX-046	GB93-87 D10 Lock Washer	4
60	BH-7485-0197	TP9KACX-047	GB97.2-85 D10 Washer	4
61	BH-7485-0204	TP9KACX-051	TPF4A-700-04-00KY Overhead Cross Beam	1
62	BH-7485-0198	TP9KACX-048	TT-6835-100-13-00 Top Plate	2
63	BH-7485-0199	TP9KACX-048.1	TT-6835KY-100-03A Cable Hex Nut	4
64	BH-7485-0195	TP9KACX-045.1	GB6170-86 M10 Nut M10	4
65	BH-7485-0194	TP9KACX-045	GB5781-86 M10x35 Bolt M10x35	4
66	BH-7485-0193	TP9KACX-044	TT-6835-100-02NEW Hose Cover	10
67	BH-7485-0220	TP9KACX-065	GB95-85 D16 Flat Washer	4
68	BH-7485-0221	TP9KACX-066	GB6170-86 M16 Nut	8
69	BH-7485-0167	TP9KACX-019	TT-6835-400-05-00MKY Arm Assembly, Asymmetric 2 Rear Long TP9KACX	2
69	BH-7485-0168	TP9KACX-019A	TT-6934-400-00MDKY Arm Assembly, Symmetric 4 TP9KSCX	4
70	BH-7485-0166	TP9KACX-018	TT-6835-400-05K-00BMKY Arm Assembly, Asymmetric 1 Front Short (driver) TP9KACX	1
71	BH-7485-0158	TP9KACX-010	TT-6835-400-05K-00BMKY Arm Assembly, Asymmetric 1 Front Short (passenger) TP9KACX	1
72	BH-7485-0188	TP9KACX-039	TPF4-100-12 Plastic Cover, Column	2
73	BH-7485-0256		Lock Release Spring	2
74	BH-7485-0257		Lock Release Cable	2
75	BH-7485-0258		Lock Release Cable Cover	2
76	BH-7075-03	TP9KACX-009	Anchor Bolt	10
77	BH-7070-K		Power Station Air / Electric Utility Box	1
78	BH-9701		Single Wheel Spotter Dish 10-3/4" x 15" Wide	1
78	BH-9702		Dual Wheel Spotter Dish 20-1/8" x 15" Wide	1

P
a
g
e



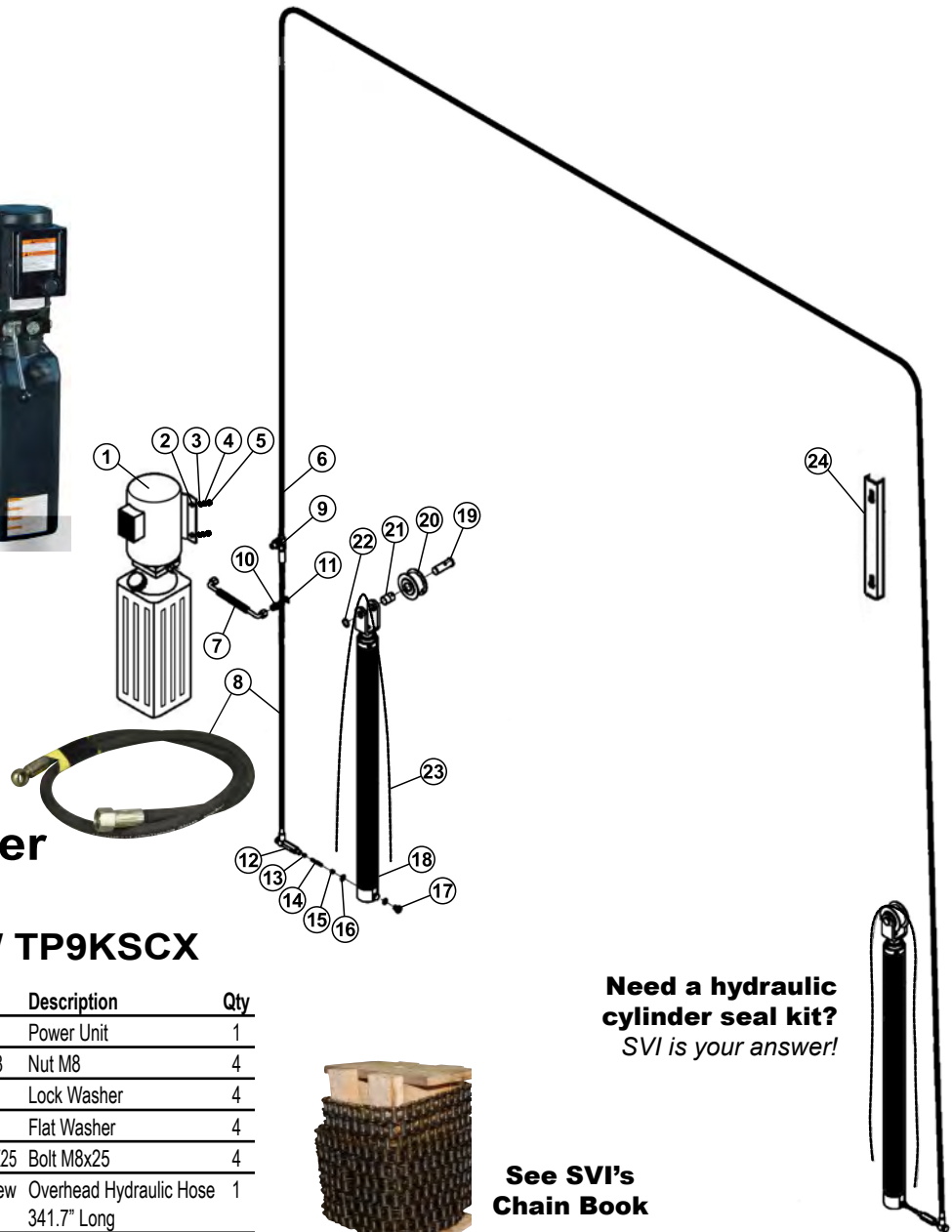
For Model TP9KACX / TP9KSCX

TP9KACX • 9,000 lb. Capacity 2-Post Asymmetric Clear Floor Lift

TP9KSCX • 9,000 lb. Capacity 2-Post Symmetric Clear Floor Lift

DIRECTFIT™
SVI's DIRECT FIT™ BRAND

SVI is the #1 Source of Power Units and Parts



Hydraulic Cylinder and Hose Detail For Model TP9KACX / TP9KSCX

Item SVI Part #	Cross Ref #	Cross Ref #	Description	Qty
1	BH-7006A-XX	TP9KACX-067	PU-220V-L-H-X Power Unit	1
2	BH-7485-0228	TP9KACX-073	GB/6170-2000 M8 Nut M8	4
3	BH-7485-0229	TP9KACX-074	GB_93-87 D8 Lock Washer	4
4	BH-7485-0230	TP9KACX-075	GB95-1985 D8 Flat Washer	4
5	BH-7485-0231	TP9KACX-076	GB_5781-2000 M8X25 Bolt M8x25	4
6	BH-7485-0223	TP9KACX-068	TT-6835-500-05new Overhead Hydraulic Hose 341.7" Long	1
7	BH-7485-0225	TP9KACX-070	TT-6134-500-02 Hydraulic Hose Short, 14.1"	2
8	BH-7485-51	TP9KACX-077	TT-6835-500-01KY Hydraulic Hose Short to Cylinder, 58" Long	1
9	BH-7485-0224	TP9KACX-069	TT-6835-500-04 Hydraulic Fitting, Tee	1
10	BH-7485-0226	TP9KACX-071	TT-6934-500-04KY Hydraulic Fitting	1
11	BH-7485-0227	TP9KACX-072	O-Ring	1
12	BH-7485-0232	TP9KACX-078	TT-6934-500-02 Hex Pipe Fitting	2
13	BH-7485-0233	TP9KACX-079	TT-6934-500-07 Valve Insert	2
14	BH-7485-0234	TP9KACX-080	TT-6934-500-08 Valve Spring	2
15	BH-7485-0235	TP9KACX-081	TT-6934-500-06 Throttle Valve	2
16	BH-7485-0236	TP9KACX-082	Combined Washer	4

Need a hydraulic cylinder seal kit?
SVI is your answer!



See SVI's Chain Book

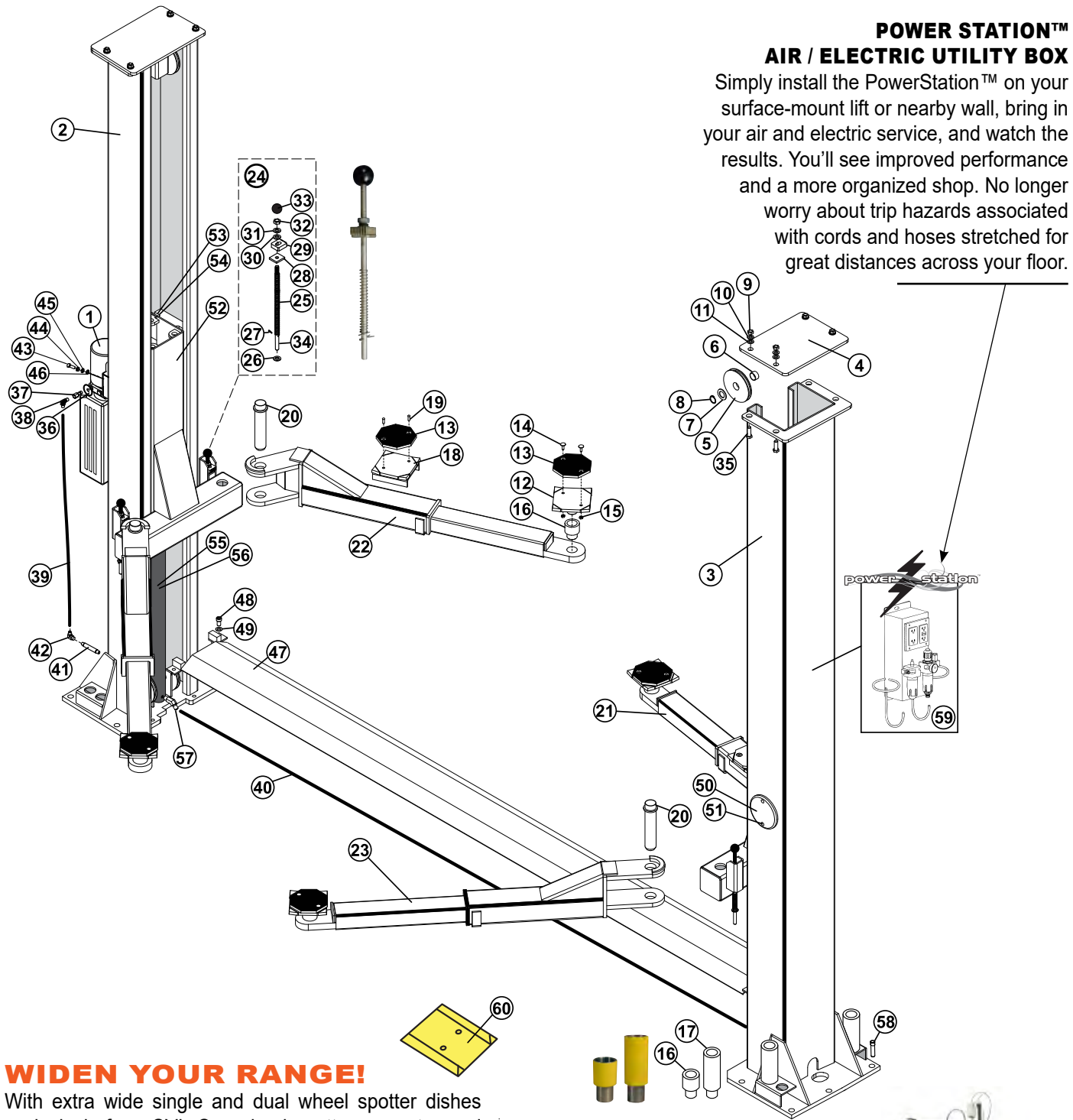
Item SVI Part #	Cross Ref #	Cross Ref #	Description	Qty
17	BH-7485-0237	TP9KACX-083	JB/ZQ4770 Cap Nut M14	2
18	BH-7485-0238	TP9KACX-084	TPF4-CYLINDER-NEW Cylinder	2
19	BH-7485-0239	TP9KACX-085	TPF4-100-14-02 Pin	2
20	BH-7485-0240	TP9KACX-086	TPF4-100-14-01 Chain Roller	2
21	BH-7485-0241	TP9KACX-087	DU-SF 2520 Bushing	4
22	BH-7485-0242	TP9KACX-088	GB894.1-86 D25 Spring Washer	2
23	BH-7485-0243	TP9KACX-089	CHAIN LH1244 121NODE Chain (See SVI Chain Book)	2
24	BH-7485-0193	TP9KACX-044	TT-6835-100-02NEW Hose Cover	10

P
a
g
e

For Model TP9KAF

9,000 lb. Capacity 2-Post Asymmetric Floor Plate Lift

DIRECTFIT™
SVI's DIRECT FIT™ BRAND



POWER STATION™ AIR / ELECTRIC UTILITY BOX

Simply install the PowerStation™ on your surface-mount lift or nearby wall, bring in your air and electric service, and watch the results. You'll see improved performance and a more organized shop. No longer worry about trip hazards associated with cords and hoses stretched for great distances across your floor.

WIDEN YOUR RANGE!

With extra wide single and dual wheel spotter dishes exclusively from SVI. Our wheel spotters are stamped from heavy gauge steel then powder coated and shipped with installation hardware. Each spotter is a **full 15" wide** to provide safe spotting for both wide and narrow wheelbase vehicles.

BH-9701 • Single Wheel Spotter Dish 10-3/4" x 15"

BH-9702 • Dual Wheel Spotter Dish 20-1/8" x 15"

Need repair parts or consumables for your Tire Changer?
SVI is your answer!





For Model TP9KAF

9,000 lb. Capacity 2-Post Asymmetric Floor Plate Lift

DIRECTFIT™
SVI's DIRECT FIT™ BRAND

Item	SVI Part #	Cross Ref #	Description	Qty
1	BH-7006A-XX		Power Unit	1
2	BH-7485-0104	TP9-1032	Column (power unit side)	1
3	BH-7485-0244	TP9-1030	Column (offside)	1
4	BH-7485-0245	TP9-1031	Top Plate for Column	2
5	BH-7485-0099	TP9-1025	Cable Sheave	6
6	BH-7486-54	TP9-1075	Bushing	6
7	F-FW-M20	TP9-1076	Flat Washer	
8	F-LW-M20	TP9-1077	Lockwasher	
9	BH-7485-0132	TP9-1072	Nut, M12	8
10	BH-7485-0133	TP9-1073	Flat Washer	8
11	BH-7485-0134	TP9-1074	Spring Washer	8
12	BH-7485-0078	TP9-1001	Adapter Base	4
13	BH-7270-048	TP9-1002	Rubber Arm Pad	4
14	BH-7485-0127	TP9-1065	Elevator Bolt	8
15	BH-7485-0142	TP9-1088	Nut, M8	8
16	BH-7485-0108	TP9-1038	Nesting Height Extension - Short	4
17	BH-7485-0109	TP9-1039	Nesting Height Extension - Tall	4
18	BH-7485-0126	TP9-1064	Arm Adapter Base	4
19	BH-7485-0143	TP9-1089	Bolt, M8 x 16	4
20	BH-7485-0082	TP9-1005	Arm Pin	4
21	BH-7485-0084	TP9-1007	Arm Assembly - Front Right	1
22	BH-7485-0083	TP9-1006	Arm Assembly - Front Left	1
23	BH-7485-0080	TP9-1003	Arm Assembly - Rear	2
24	BH-7485-0102	TP9-1029	Arm Restraint Pin Assembly	4
25	BH-7485-0090	TP9-1013	Arm Restraint Spring	4
26	BH-7485-0091	TP9-1014	Washer	4
27	BH-7485-0092	TP9-1015	Cotter Pin	4
28	BH-7485-0136	TP9-1081	Square Washer	4
29	BH-7485-0089	TP9-1012	Arm Restraint Gear (small)	4
30	BH-7485-0139	TP9-1084	Spring Washer	4
31	BH-7485-0138	TP9-1083	Flat Washer	4
32	BH-7485-0137	TP9-1082	Nut, M10	4
33	BH-7485-0118	TP9-1053	Arm Lock Knob	4
34	BH-7485-0088	TP9-1011	Arm Restraint Pin	4
35	BH-7485-0131	TP9-1071	Bolt, M12 x 40	8

Item	SVI Part #	Cross Ref #	Description	Qty
36	BH-7485-0253	TP9-1094	Washer	1
37	BH-7485-0144	TP9-1095	Hydraulic Fitting	1
38	BH-7485-0254	TP9-1096	Elbow Fitting	1
39	BH-7485-0105	TP9-1033	Hydraulic Hose (Cylinder to Power Unit)	1
40	BH-7485-0121	TP9-1034	Hydraulic Hose (Cylinder to Cylinder)	1
41	BH-7485-0100	TP9-1026	Straight Fitting	
42	BH-7485-0101	TP9-1027	90 Degree Elbow Fitting	
43	BH-7485-0249	TP9-1090	Bolt, M8 x 15	
44	BH-7485-0252	TP9-1093	Spring Washer	
45	BH-7485-0251	TP9-1092	Flat Washer	
46	BH-7485-0250	TP9-1091	Nut, M8	
47	BH-7485-0122	TP9-1037	Drive Over Plate	1
48	BH-7485-0247	TP9-1079	Bolt M12 x 20	
49	BH-7485-0248	TP9-1080	Flat Washer	
50	BH-7485-0085	TP9-1008	Carriage Lock Access Cover	
51	BH-7485-0129	TP9-1069	Bolt, M6 x 10	
52	BH-7485-0086	TP9-1009	Carriage	2
53	BH-7485-0087	TP9-1010	Slider Block	16
54	BH-7485-0123	TP9-1059	Shim for Carriage Slider	
55	BH-7485-0098	TP9-1024	Hydraulic Cylinder	2
56	BH-7486-53	TP9-1057	Seal Kit for TP9KAC	2
56	BH-7486-53F	TP9-1057F	Seal Kit for TP9KAC	2
57	BH-7485-0246	TP9-1060	45 Degree Fitting	2
58	BH-7075-03	WA375x512	Wedge Anchor	10
59	BH-7070-K		Power Station Air / Electric Utility Box	1
60	BH-9701		Single Wheel Spotter Dish 10-3/4" x 15" Wide	1
60	BH-9702		Dual Wheel Spotter Dish 20-1/8" x 15" Wide	1
--	NOT SHOWN:			
--	BH-7485-0119	TP9-1054	Ferrule (large / USA)	
--	BH-7485-0120	TP9-1063	Ferrule (large / Import)	

Page
20

Auto Lift Power Units and Parts
Call SVI today!

TURF AND UTILITY TRAYS
FOR 2-POST LIFTS SYMMETRIC / ASYMMETRIC

The #1 Choice for Symmetric or Asymmetric 2-Post Surface Mount Lifts and In-Ground Side-By-Side, too!

Various Styles Available! Contact SVI today!

For Model TP9KAF

9,000 lb. Capacity 2-Post Asymmetric Floor Plate Lift

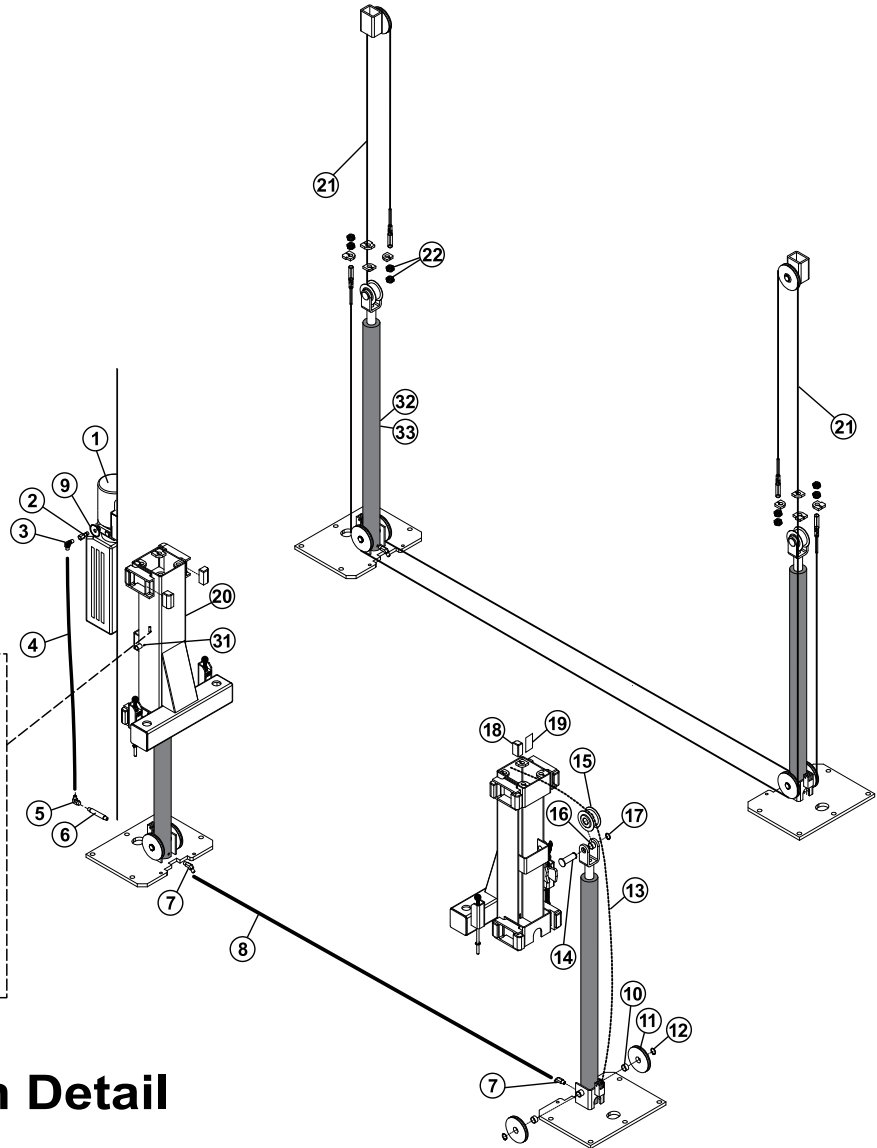
DIRECTFIT™
SVI's DIRECT FIT™ BRAND

Need a hydraulic cylinder seal kit?
SVI is your answer!

BH-7486-53
(Ref TP9-1057T)

BH-7486-53F
(Ref TP9-1057F)

BH-7486-14
(Ref TP9-1068)



Carriage Lock, Cables and Chain Detail For Model TP9KAF

Item	SVI Part #	Cross Ref #	Description	Qty
1	BH-7006A-XX		Power Unit	1
2	BH-7485-0144	TP9-1095	Hydraulic Fitting	1
3	BH-7485-0254	TP9-1096	Elbow Fitting	1
4	BH-7485-0105	TP9-1033	Hydraulic Hose (Cylinder to Power Unit)	1
5	BH-7485-0101	TP9-1027	90 Degree Elbow Fitting	
6	BH-7485-0100	TP9-1026	Straight Fitting	
7	BH-7485-0246	TP9-1060	45 Degree Fitting	2
8	BH-7485-0121	TP9-1034	Hydraulic Hose (Cylinder to Cylinder)	1
9	BH-7485-0253	TP9-1094	Washer	1
10	BH-7486-54	TP9-1075	Bushing	6
11	BH-7485-0099	TP9-1025	Cable Sheave	6
12	BH-7485-0081	TP9-1004	Spindle Spring Washer	4
13	BH-7485-0097	TP9-1023	Chain (See SVI Chain Book)	2
14	BH-7486-22	TP9-1020	Sheave / Pulley Pin	2
15	BH-7486-24	TP9-1022	Chain Roller	2
16	BH-7486-24B	TP9-1086	Bushing for BH-7486-24 Roller	2

Item	SVI Part #	Cross Ref #	Description	Qty
17	BH-7486-23	TP9-1021	Sheave / Pulley Pin "C" Clip	2
18	BH-7485-0087	TP9-1010	Slider Block	16
19	BH-7485-0123	TP9-1059	Shim for Carriage Slider	
20	BH-7485-0086	TP9-1009	Carriage	2
21	BH-7486-46	TP9-1028	Equalizer Cable Assembly 28' 6"	2
22	BH-7485-0130	TP9-1070	Cable Nut	8
23	BH-7486-14	TP9-1068	Carriage Lock Assembly	2
24	BH-7485-0096	TP9-1019	Carriage Lock	2
25	BH-7485-0094	TP9-1017	Lock Release Spring	2
26	BH-7485-0124	TP9-1061	Carriage Lock Set Screw	2
27	BH-7485-0125	TP9-1062	Spring	2
28	BH-7485-0093	TP9-1016	Lock Release Cable	2
29	BH-7485-0141	TP9-1087	Lock Release Cable Cover	2
30	BH-7485-0140	TP9-1085	Flat Washer	2
31	BH-7485-0255	TP9-1097	Cotter Pin	2
32	BH-7485-0098	TP9-1024	Hydraulic Cylinder	2
33	BH-7486-53	TP9-1057 / TP9-1057T	Seal Kit for TP9KAC	2
33	BH-7486-53F	TP9-1057F	Seal Kit for TP9KAC	2

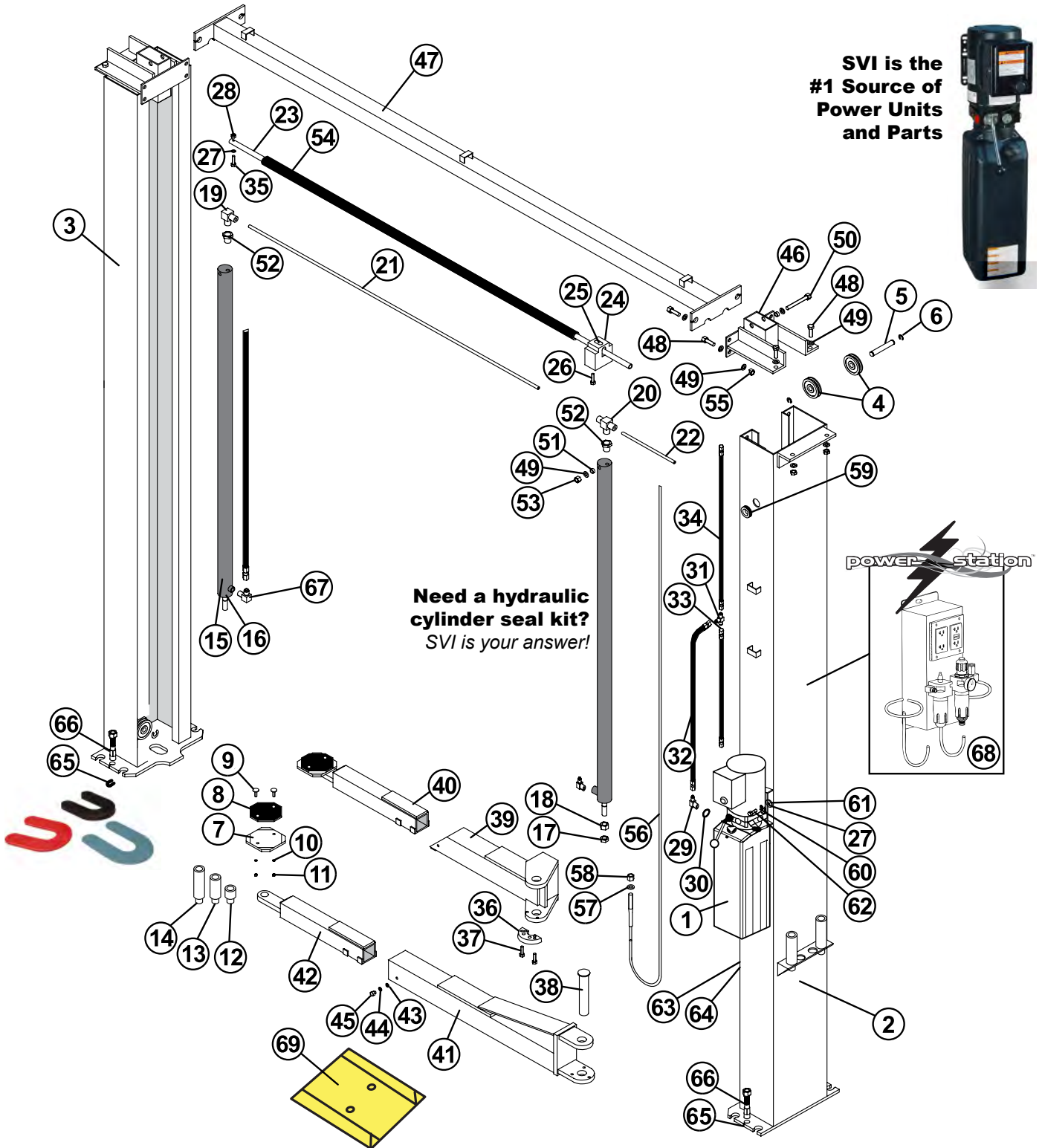
Page 21



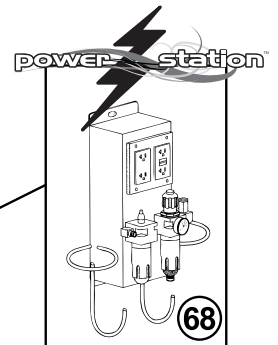
For Model TP10KAC-D

10,000 lb. Capacity 2-Post Asymmetric Clear Floor Lift

DIRECTFIT™
SVI's DIRECT FIT™ BRAND



SVI is the #1 Source of Power Units and Parts



Need a hydraulic cylinder seal kit?
SVI is your answer!

P
a
g
e

22

WIDEN YOUR RANGE!

With extra wide single and dual wheel spotter dishes exclusively from SVI. Our wheel spotters are stamped from heavy gauge steel then powder coated and shipped with installation hardware. Each spotter is a **full 15" wide** to provide safe spotting for both wide and narrow wheelbase vehicles.

BH-9701 • Single Wheel Spotter Dish 10-3/4" x 15" | **BH-9702** • Dual Wheel Spotter Dish 20-1/8" x 15"

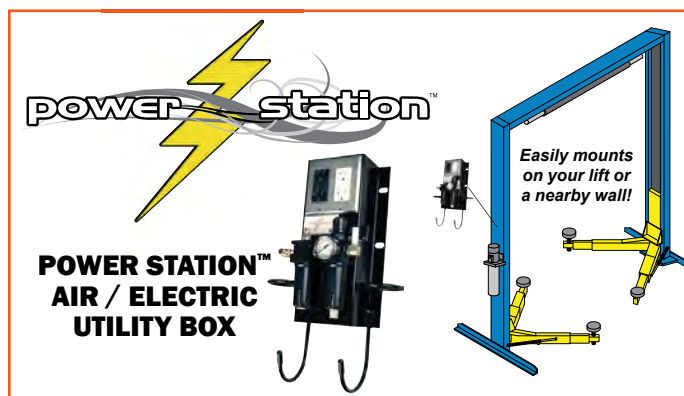


For Model TP10KAC-D
10,000 lb. Capacity 2-Post Asymmetric Clear Floor Lift

DIRECTFIT™
SVI's DIRECT FIT™ BRAND

Item SVI Part #	Cross Ref #	Cross Ref #	Description	Qty
1 BH-7006A-XX		BZ01-00000-000	Power Unit	1
2 BH-7485-0260		SJ01-06000-000	Column (power unit side)	1
3 BH-7485-0259		SJ01-01000-000	Column (offside)	1
4 BH-7485-0285	TP11KC-DX-028	SJ01-00001-000	Cable Sheave/Pulley	6
5 BH-7485-0284	TP11KC-DX-026	SJ01-00007-000	Sheave / Pulley Pin	2
6 BH-7485-0283		5305-00015-000	Washer	10
7 BH-7485-0275		SJ01-10100-000	Adapter Base	4
8 BH-7270-048		SJ01-10001-000	Rubber Arm Pad	4
9 BH-7485-0276		SJ01-10003-000	Bolt	8
10 BH-7485-0274		5301-00006-000	Flat Washer	8
11 BH-7485-0273		5206-00005-000	Nylon Lock Nut	8
12 BH-7485-0261		SJ01-00003-000	Nesting Height Extension Short	4
13 BH-7485-0262		SJ01-00004-000	Nesting Height Extension Medium	4
14 BH-7485-0263		SJ01-00005-000	Nesting Height Extension Tall	4
15 BH-7485-0266		SJ01-03000-000	Hydraulic Cylinder	2
16 BH-7485-0266SK			Hydraulic Cylinder Seal Kit	2
16 BH-7487-54	TP11KACD-083		Hydraulic Cylinder Seal Kit	2
17 BH-7485-0264	TP11KC-DX-075	SJ01-00026-000	Jam Nut	2
18 BH-7485-0265	TP11KC-DX-076	SJ01-00027-000	Hex Nut	2
19 BH-7485-0280	TP11KC-DX-065	SJ01-00008-000	Elbow Fitting	1
20 BH-7485-0296	TP11KC-DX-034	SJ01-00014-000	Tee Fitting	1
21 BH-7485-0291	TP11KC-DX-097	SJ01-00013-000	Air Tube	1
22 BH-7485-0301	TP11KC-DX-037	SJ01-00015-000	Air Tube	1
23 BH-7485-0293	TP11KC-DX-033	SJ01-00011-000	Shutoff Bar	1
24 BH-7485-0298	TP11KC-DX-070	SJ01-00028-000	Limit Switch Housing	1
25 BH-7485-0299		SJ01-00012-000	Limit Switch	1
26 BH-7485-0297		5110-06008-000	Bolt	4
27 BH-7485-0290	TP11KC-DX-063	5301-00008-000	Flat Washer	14
28 BH-7485-0295	TP11KC-DX-015	5202-00008-000	Nut	3
29 BH-7485-0331	TP11KC-DX-057	SJ01-12001-000	Elbow Fitting	1
30 BH-7485-0332		5109-00118-000	O-Ring	1
31 BH-7485-0306	TP11KC-DX-046	SJ01-00016-000	Tee Fitting	1
32 BH-7485-0304	TP11KC-DX-048	SJ01-00018-000	Hydraulic Hose 54.3"	1
33 BH-7485-0305	TP11KC-DX-045	SJ01-00019-000	Hydraulic Hose 71"	1
34 BH-7485-0303	TP11KC-DX-047	SJ01-00006-000	Hydraulic Hose 207"	1
35 BH-7485-0289		5101-08040-000	Hex Head Capscrew	1
36 BH-7485-0321		SJ01-00025-000	Arm Restraint Main Gear	4
37 BH-7485-0320		5102-10040-000	Hex Head Capscrew	8

Item SVI Part #	Cross Ref #	Cross Ref #	Description	Qty
38 BH-7485-0277	TP10KAC-DX-094	SJ01-00021-000	Swing Arm Pin	4
39L BH-7485-0268		SJ01-11000-000	Outer Swing Arm - Left (Specify left or right)	1
39R BH-7485-0269		SJ01-11000-000	Outer Swing Arm - Right (Specify left or right)	1
40 BH-7485-0270		SJ01-09000-000	Inner Arm	2
41 BH-7485-0271		SJ01-08000-000	Outer Swing Arm	2
42 BH-7485-0272		SJ01-13000-000	Inner Arm	2
43 BH-7485-0315		5301-00010-000	Flat Washer	6
44 BH-7485-0328		5303-00010-000	Lock Washer	4
45 BH-7485-0329		5102-10016-000	Hex Head Capscrew	4
46 BH-7485-0300		SJ01-04000-000	Cylinder Mount Weldment	2
47 BH-7485-0287	TP11KC-DX-030	SJ01-05000-000	Overhead Cross Beam	1
48 BH-7485-0288	TP11KC-DX-031	5103-14045-000	Hex Head Capscrew	12
49 BH-7485-0282	TP11KC-DX-023	5302-00014-000	Flat Washer	28
50 BH-7485-0286		5103-14110-000	Hex Head Capscrew	2
51 BH-7485-0279	TP11KC-DX-096	SJ01-00009-000	Sleeve	4
52 BH-7485-0294		SJ01-03001-000	Fitting	2
53 BH-7485-0278		5206-00014-000	Nylon Lock Nut	2
54 BH-7485-0292	TP11KC-DX-098	SJ01-00010-000	Cushion, Shutoff Bar	1
55 BH-7485-0281	TP11KC-DX-022	5202-00014-000	Nut	12
56 BH-7485-0327	TP11KC-DX-088	SJ01-00002-000	Equalizer Cable Assembly 33' 8"	2
57 BH-7485-0326	TP11KC-DX-089	5302-00016-000	Flat Washer	4
58 BH-7485-0325		5206-00016-000	Nylon Lock Nut	4
59 BH-7485-0302	TP11KC-DX-039	SJ01-00017-000	Rubber Grommet	1
60 BH-7485-0333		SJ01-14001-000	Washer	4
61 BH-7485-0334	TP11KC-DX-032	5206-00008-000	Nut	4
62 BH-7485-0335		5102-08025-000	Hex Head Capscrew	4
63 BH-7485-0308	TP11KC-DX-050	SJ01-00020-000	Slider Block	16
64 BH-7485-0307		SJ01-02000-000	Carriage	2
65 BH-7512-92	TP11KC-DX-066	SJ01-12002-000	Shim Assortment 150 Pieces (3 Sizes)	
66 BH-7075-03		SJ01-12003-000	Wedge Anchor Bolt	12
67 BH-7485-0267		SJ01-03002-000	Elbow Fitting	2
68 BH-7070-K			Power Station Air / Electric Utility Box	1
69 BH-9701			Single Wheel Spotter Dish 10-3/4" x 15" Wide	1
69 BH-9702			Dual Wheel Spotter Dish 20-1/8" x 15" Wide	1



Need repair parts or consumables for your Tire Changer?
SVI is your answer!



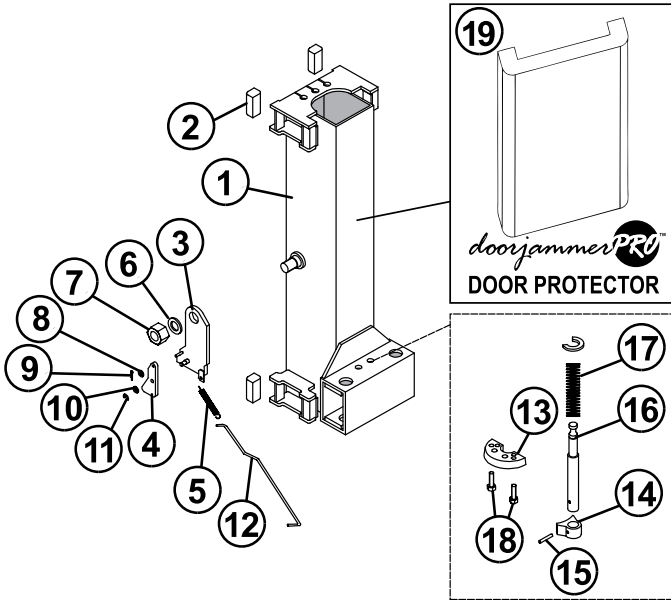


For Model TP10KAC-D

10,000 lb. Capacity 2-Post Asymmetric Clear Floor Lift

DIRECTFIT™
SVI's DIRECT FIT™ BRAND

Carriage Lock and Arm Restraint Detail For Model TP10KAC-D



Item SVI Part #	Cross Ref #	Cross Ref #	Description	Qty
1	BH-7485-0307	SJ01-02000-000	Carriage	2
2	BH-7485-0308	SJ01-00020-000	Slider Block	16
3	BH-7485-0309	SJ01-07100-000	Safety Latch Weldment	1
4	BH-7485-0316	SJ01-07002-000	Latch Release Pivot	2
5	BH-7485-0317	SJ01-07007-000	Lock Latch Spring	2
6	BH-7485-0310	5302-00030-000	Flat Washer	2
7	BH-7485-0311	5206-00030-000	Nylon Lock Nut	2
8	BH-7485-0312	5301-00005-000	Flat Washer	2
9	BH-7485-0313	5404-02012-000	Pin	2
10	BH-7485-0315	5301-00010-000	Flat Washer	6
11	BH-7485-0314	5305-00009-000	Washer	2
12	BH-7485-0318	SJ01-07003-000	Lock Release Rod	2
13	BH-7485-0321	SJ01-00025-000	Arm Restraint Main Gear	4
14	BH-7485-0322	TP11KC-DX-054	Arm Restraint Engage Gear	4
15	BH-7485-0319	TP11KC-DX-055	Pin	4
16	BH-7485-0323	TP11KC-DX-053	Arm Restraint Plunger	4
17	BH-7485-0324	TP11KC-DX-052	Arm Restraint Spring	4
18	BH-7485-0320	5102-10040-000	Hex Head Capscrew	8
19	BH-7077-02-2S		DoorJammerPRO™ Door Protector (Set of 2) 18" Wide x 12" Tall	1
19	BH-7077-02-2		DoorJammerPRO™ Door Protector (Set of 2) 18" Wide x 24" Tall	1

Insist on SVI Direct Fit™ brand Products!

Whether it's standard or custom, SVI is your answer.

Don't see what you need?

Contact SVI today!

800-321-8173

parts@sviintl.com



Auto Lift Cables and Chain Sheaves / Pulleys / Chain Rollers



TURF AND UTILITY TRAYS

FOR 2-POST LIFTS
SYMMETRIC / ASYMMETRIC

The #1 Choice for Symmetric or Asymmetric 2-Post Surface Mount Lifts and In-Ground Side-By-Side, too!

Various Styles Available!
Contact SVI today!





For Model TP10KAC-DX

10,000 lb. Capacity 2-Post Bi-Symmetric Clear Floor Lift

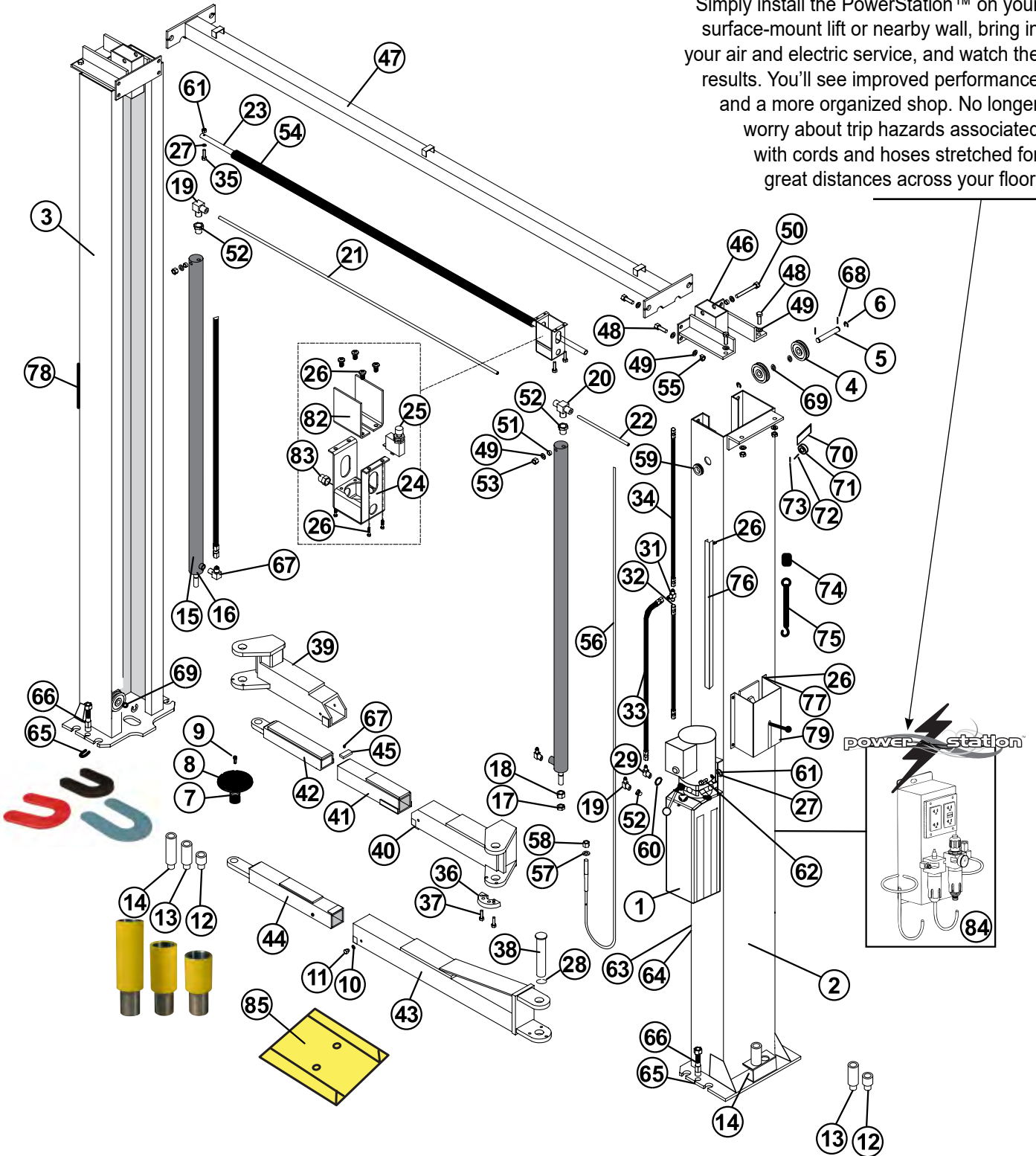
Tuxedo Bi-Symmetric models are designed to allow the arms to be configured for both asymmetrical and symmetrical lifting configurations.

DIRECTFIT™
SVI's DIRECT FIT™ BRAND

NOTE: This model may be labeled Tuxedo, iDEAL, and others.

POWER STATION™ AIR / ELECTRIC UTILITY BOX

Simply install the PowerStation™ on your surface-mount lift or nearby wall, bring in your air and electric service, and watch the results. You'll see improved performance and a more organized shop. No longer worry about trip hazards associated with cords and hoses stretched for great distances across your floor.



Insist on SVI Direct Fit™ brand Products!

All names, numbers, symbols and descriptions are used for reference purposes only. It is not implied that any part listed is the product of these manufacturers. SVI does not represent and is not associated in any way with any other companies.

LRC7485 - 10.7.21



For Model TP10KAC-DX

10,000 lb. Capacity 2-Post Bi-Symmetric Clear Floor Lift

Tuxedo Bi-Symmetric models are designed to allow the arms to be configured for both asymmetrical and symmetrical lifting configurations.

DIRECTFIT™
SVI's DIRECT FIT™ BRAND

NOTE: This model may be labeled Tuxedo, iDEAL, and others.

Item SVI Part #	Cross Ref #	Cross Ref #	Description	Qty	Item SVI Part #	Cross Ref #	Cross Ref #	Description	Qty		
1	BH-7006A-XX	PU-220V SPX iDEAL AC-10AH-RV21	Power Unit	1	49	BH-7485-0282	TP11KC-DX-023	5302-00014-000	Flat Washer	28	
2	BH-7485-0336	TP10KAC-DX-038.1	SJ12-02000-A00	Mainside Column	1	50	BH-7485-0363	TP11KC-DX-029	SJ01-00029-000	Pin	2
3	BH-7485-0337	TP10KAC-DX-001.1	SJ12-01000-A00	Offside Column	1	51	BH-7485-0279	TP11KC-DX-096	SJ01-00009-000	Sleeve	4
4	BH-7485-0285	TP11KC-DX-028	SJ01-00001-000	Cable Sheave/Pulley	6	52	BH-7485-0364	TP11KC-DX-077.18	SJ01-03001-000	Fitting Adapter B	3
5	BH-7485-0284	TP11KC-DX-026	SJ01-00007-000	Sheave / Pulley Pin	2	53	BH-7485-0365	TP11KC-DX-095	5304-00014-000	Retaining Ring	4
6	BH-7485-0338	TP11KC-DX-024	5302-00020-000	Flat Washer	6	54	BH-7485-0292	TP11KC-DX-098	SJ01-00010-000	Foam Rubber Tube	1
7	BH-7485-0339	TP11KC-DX-084.1	SJ12-10100-000	Swivel Pad	4	55	BH-7485-0281	TP11KC-DX-022	5202-00014-000	Nut	12
8	BH-7485-0340	TP11KC-DX-083.1	SJ03-00008-001	Rubber Pad	4	56	BH-7485-0327	TP11KC-DX-088	SJ01-00002-000	Equalizer Cable Assembly, 33'-8"	2
9	BH-7485-0341	TP11KC-DX-002	5105-08012-000	Screw	16	57	BH-7485-0326	TP11KC-DX-089	5302-00016-000	Washer, D16	4
10	BH-7485-0342	TP11KC-DX-087	5202-00010-000	Nut	4	58	BH-7485-0366	TP11KC-DX-090	5202-00016-000	Nut	8
11	BH-7485-0343	TP11KC-DX-072	SJ03-00033-000	Hex Head Capscrew	4	59	BH-7485-0302	TP11KC-DX-039	SJ01-00017-000	Rubber Grommet	1
12	BH-7485-0344	TP11KC-DX-003	SJ12-00018-A00	Nesting Height Extension 2"4		60	BH-7485-0367	TP11KC-DX-058	5901-00118-000	O-Ring	1
13	BH-7485-0345	TP11KC-DX-004	SJ12-00019-A00	Nesting Height Extension 4"4		61	BH-7485-0334	TP11KC-DX-032	5206-00008-000	Nylon Lock Nut	5
14	BH-7485-0346	TP11KC-DX-067	SJ12-00017-A00	Height Adapter Hanger Bracket	2	62	BH-7485-0368	TP11KC-DX-059	5103-08030-000	Hex Head Capscrew	4
15	BH-7485-0347	TP11KC-DX-077	SJ03-15000-000	Hydraulic Cylinder	2	63	BH-7485-0308	TP11KC-DX-050	SJ01-00020-000	Slider Block	16
16	BH-7485-0348			Seal Kit for Hyd. Cylinder	2	65	BH-7485-0330	TP11KC-DX-066	SJ01-12002-000	Shim	16
17	BH-7485-0264	TP11KC-DX-075	SJ01-00026-000	Jam Nut, Cylinder	2	66	BH-7075-03	TP10KAC-DX-056.1	SJ01-12003-ETL	Anchor Bolt	12
18	BH-7485-0265	TP11KC-DX-076	SJ01-00027-000	Hex Nut, Cylinder	2	67	BH-7485-0369	TP11KC-DX-103	5120-08012-000	Screw	4
19	BH-7485-0280	TP11KC-DX-065	SJ01-00008-000	Elbow Fitting	2	68	BH-7485-0370	TP11KC-DX-027	SJ01-00033-000	Pin	6
20	BH-7485-0296	TP11KC-DX-034	SJ01-00014-000	T-Fitting	1	69	BH-7485-0371	TP11KC-DX-025	SJ01-00032-000	Bearing	6
21	BH-7485-0291	TP11KC-DX-097	SJ01-00013-000	Return Line #1	1	70	BH-7485-0372	TP11KC-DX-036	SJ12-00003-000	Large Bracket	2
22	BH-7485-0301	TP11KC-DX-037	SJ01-00015-000	Return Line #2	1	71	BH-7485-0373	TP11KC-DX-006	SJ12-00005-000	Lock Release Cable Pulley	3
23	BH-7485-0293	TP11KC-DX-033	SJ01-00011-000	Overhead Shut-Off Bar	1	72	BH-7485-0374	TP11KC-DX-007	SJ12-00015-000	Pin	3
24	BH-7485-0298	TP11KC-DX-070	SJ01-00028-000	Housing, Limit Switch	1	73	BH-7485-0375	TP11KC-DX-008	5404-15012-000	Cotter Pin	3
25	BH-7485-0349	TP11KC-DX-071.1	SJ01-00012-ETL	Limit Switch	1	74	BH-7485-0376	TP11KC-DX-106	SJ12-00020-A00	Cable Lock	2
26	BH-7485-0350	TP11KC-DX-005	5110-06012-000	Screw	24	75	BH-7485-0377	TP11KC-DX-107	SJ12-00021-A00	Turnbuckle	1
27	BH-7485-0290	TP11KC-DX-063	5301-00008-000	Flat Washer	9	76	BH-7485-0378	TP11KC-DX-108	SJ12-00022-A00	Hose Cover	1
28	BH-7485-0351	TP10KAC-DX-109	5304-00038-000	Retaining Ring	4	77	BH-7485-0379	TP11KC-DX-010	5302-00006-000	Flat Washer	8
29	BH-7485-0331	TP11KC-DX-057	SJ01-12001-000	Elbow Fitting	1	78	BH-7485-0380	TP11KC-DX-009	SJ12-00010-000	Lock Release Cover (offside)	1
31	BH-7485-0306	TP11KC-DX-046	SJ01-00016-000	Hydraulic Tee Fitting	1	79	BH-7485-0381	TP11KC-DX-040	SJ12-00009-000	Lock Release Cover (main side)	1
32	BH-7485-0304	TP11KC-DX-048	SJ01-00018-000	Hydraulic Hose, 54.3"	1	80	BH-7485-0382	TP10KAC-DX-049.2	SJ12-03000-A00	Mainside Carriage	1
33	BH-7485-0305	TP11KC-DX-045	SJ01-00019-000	Hydraulic Hose, 71"	1	81	BH-7485-0383	TP10KAC-DX-049.3	SJ12-03000-A01	Offside Carriage	1
34	BH-7485-0303	TP11KC-DX-047	SJ01-00006-000	Hydraulic Hose, 207"	1	82	BH-7485-0384	TP11KC-DX-068	SJ01-00030-000	Cover Plate, Limit Switch	1
35	BH-7485-0352	TP11KC-DX-101	5103-08040-000	Hex Head Capscrew	1	83	BH-7485-0385	TP11KC-DX-069	SJ03-00024-000	Cable Nut	1
36	BH-7485-0353	TP11KC-DX-081	SJ03-00031-000	Arm Restraint Main Gear	4	84	BH-7070-K			Power Station Air / Electric Utility Box	1
37	BH-7485-0320	TP11KC-DX-080	5102-10040-000	Hex Head Capscrew	8	85	BH-9701			Single Wheel Spotter Dish 10-3/4" x 15" Wide	1
38	BH-7485-0277	TP10KAC-DX-094	SJ01-00021-000	Swing Arm Pin	4	85	BH-9702			Dual Wheel Spotter Dish 20-1/8" x 15" Wide	1
39	BH-7485-0355	TP11KC-DX-082	SJ03-07000-001	Outside Front Arm Left (LH)	1					Spin-Up Cradle Adapters (4) (Not Shown)	
40	BH-7485-0356	TP11KC-DX-092	SJ03-07000-000	Outside Front Arm Right (RH)	1						
41	BH-7485-0357	TP11KC-DX-093	SJ03-08000-000	Middle Front Arm	2						
42	BH-7485-0358	TP11KC-DX-091	SJ12-08000-A00	Inner Front Arm	2						
43	BH-7485-0359	TP11KC-DX-074	SJ12-09000-A00	Outside Rear Arm	2						
44	BH-7485-0360	TP11KC-DX-086	SJ12-07000-A00	Inner Rear Arm	2						
45	BH-7485-0361	TP11KC-DX-104	SJ16-00012-A00	Limit Block	2						
46	BH-7485-0362	TP11KC-DX-035	SJ12-04000-000	Cylinder Mount Bracket	2						
47	BH-7485-0287	TP11KC-DX-030	SJ01-05000-000	Overhead Crossbeam	1						
48	BH-7485-0288	TP11KC-DX-031	5103-14045-000	Hex Head Capscrew	12						

P
a
g
e

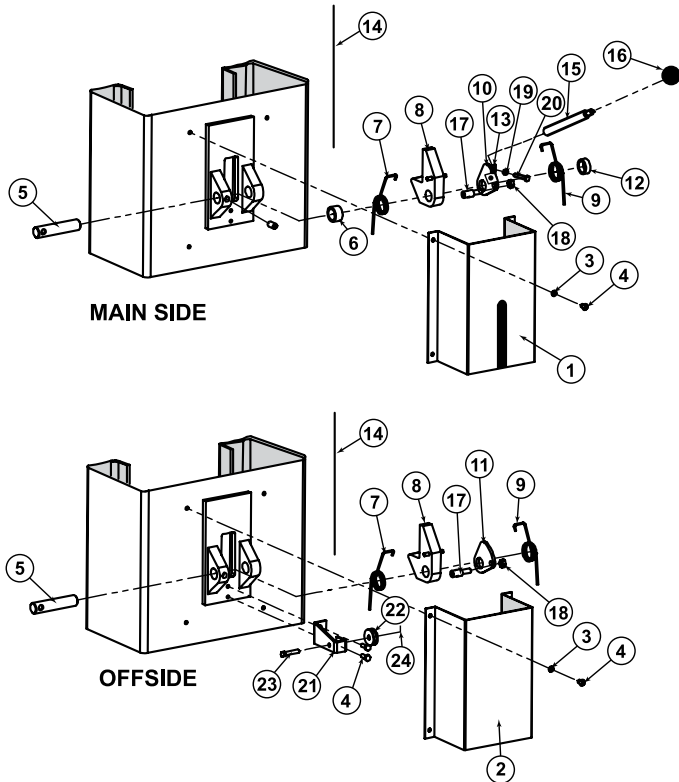
For Model TP10KAC-DX

10,000 lb. Capacity 2-Post Bi-Symmetric Clear Floor Lift

Tuxedo Bi-Symmetric models are designed to allow the arms to be configured for both asymmetrical and symmetrical lifting configurations.

DIRECTFIT™
SVI's DIRECT FIT™ BRAND

NOTE: This model may be labeled Tuxedo, iDEAL, and others.

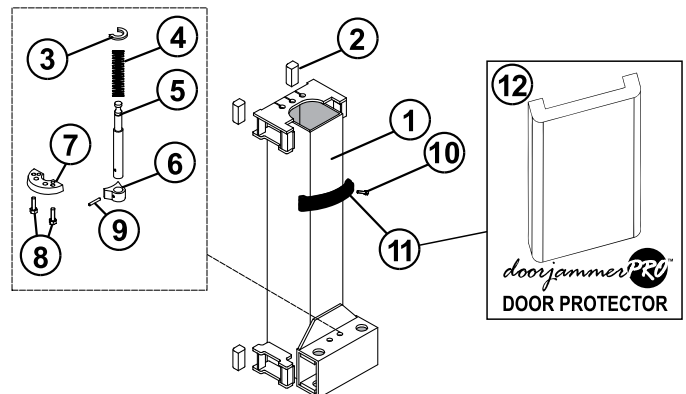


Lock Release Detail For Model TP10KAC-DX

Item	SVI Part #	Cross Ref #	Cross Ref #	Description	Qty
1	BH-7485-0381	TP11KC-DX-040	SJ12-00009-000	Lock Release Cover (main side)	1
2	BH-7485-0380	TP11KC-DX-009	SJ12-00010-000	Lock Release Cover (offside)	1
3	BH-7485-0379	TP11KC-DX-010	5302-00006-000	Flat Washer	8
4	BH-7485-0350	TP11KC-DX-005	5110-06012-000	Screw	10
5	BH-7485-0396	TP10KAC-DX-021.1	SJ12-00001-000	Latch Shaft, D20 x 92mm	2
6	BH-7485-0400	TP10KAC-DX-044.1	SJ12-00014-000	Spacer #2	2
7	BH-7485-0393	TP11KC-DX-020	SJ12-00004-000	Lock Release Spring #1	2
8	BH-7485-0395	TP10KAC-DX-019.1	SJ12-06000-000	Safety Latch	2
9	BH-7485-0394	TP11KC-DX-018	SJ12-00016-000	Lock Release Spring #2	2
10	BH-7485-0390	TP10KAC-DX-061.1	SJ12-05000-000	Mainside Bracket	1
11	BH-7485-0391	TP10KAC-DX-017.1	SJ12-05001-000	Offside Bracket	1
12	BH-7485-0402	TP11KC-DX-062.1	SJ12-00002-B00	Spacer #1	2
13	BH-7485-0389	TP11KC-DX-014	SJ12-00006-000	Hex Head Capscrew	2
14	BH-7485-0398	TP11KC-DX-042	SJ12-00013-000	Lock Release Cable, 306"	2
15	BH-7485-0399	TP11KC-DX-043	SJ12-00007-000	Lock Release Handle	1
16	BH-7485-0397	TP11KC-DX-041	SJ12-00011-000	Handle Knob	1
17	BH-7485-0392	TP11KC-DX-016	5114-06010-000	Threaded Pin	4
18	BH-7485-0295	TP11KC-DX-015	5202-00008-000	Nut	2
19	BH-7485-0388	TP11KC-DX-013	5202-00006-000	Nut	2
20	BH-7485-0387	TP11KC-DX-012	5103-06020-000	Hex Head Capscrew	2
21	BH-7485-0386	TP11KC-DX-011	SJ12-00008-000	Small Bracket	1
22	BH-7485-0373	TP11KC-DX-006	SJ12-00005-000	Lock Release Cable Pulley	3
23	BH-7485-0374	TP11KC-DX-007	SJ12-00015-000	Pin	3
24	BH-7485-0375	TP11KC-DX-008	5404-15012-000	Cotter Pin	3

Carriage and Arm Restraint Detail For Model TP10KAC-DX

Item	SVI Part #	Cross Ref #	Cross Ref #	Description	Qty
1	BH-7485-0382	TP10KAC-DX-049.2	SJ12-03000-A00	Mainside Carriage	1
1	BH-7485-0383	TP10KAC-DX-049.3	SJ12-03000-A01	Offside Carriage	1
2	BH-7485-0308	TP11KC-DX-050	SJ01-00020-000	Slider Block	16
3	BH-7485-0401	TP11KC-DX-051	5304-00018-000	Retaining Ring	4
4	BH-7485-0324	TP11KC-DX-052	SJ01-00024-000	Arm Restraint Spring	4
5	BH-7485-0323	TP11KC-DX-053	SJ01-00022-000	Arm Restraint Plunger	4
6	BH-7485-0322	TP11KC-DX-054	SJ01-00023-000	Arm Restraint Engage Gear	4
7	BH-7485-0353	TP11KC-DX-081	SJ03-00031-000	Arm Restraint Main Gear	4
8	BH-7485-0354	TP11KC-DX-080	5102-10040-000	Hex Head Capscrew	8
9	BH-7485-0319	TP11KC-DX-055	5402-06038-000	Cotter Pin	4
10	BH-7485-0341	TP11KC-DX-002	5105-08012-000	Screw	16
11	BH-7485-0403	TP11KC-DX-073	SJ03-00018-001	Rubber Door Guard	2
12	Choose Your Size:			DoorJammerPRO™	1
				Door Protector (Set of 2)	
	BH-7077-02-2S			18" Wide x 12" Tall	
	BH-7077-02-2			18" Wide x 24" Tall	





For Model TP10KAC-DX

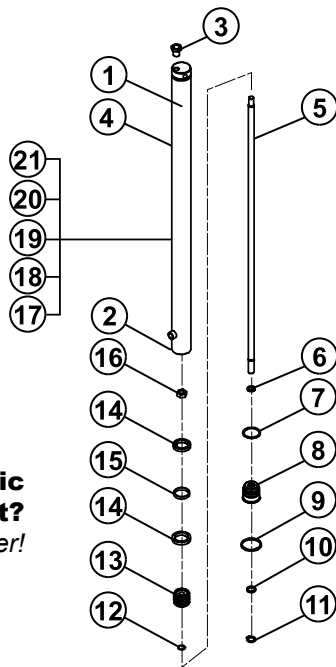
10,000 lb. Capacity 2-Post Bi-Symmetric Clear Floor Lift

Tuxedo Bi-Symmetric models are designed to allow the arms to be configured for both asymmetrical and symmetrical lifting configurations.

DIRECTFIT™
SVI's DIRECT FIT™ BRAND

NOTE: This model may be labeled by Tuxedo, iDEAL, and others.

Hydraulic Cylinder and Seals Detail For Model TP10KAC-DX



Need a hydraulic cylinder seal kit?
SVI is your answer!

Item SVI Part #	Cross Ref #	Cross Ref #	Description	Qty
1 BH-7485-0347	TP11KC-DX-077	SJ03-15000-000	Hydraulic Cylinder	2
2 BH-7485-0348			Seal Kit for Hyd. Cylinder	2
3 BH-7485-0364	TP11KC-DX-077.18	SJ01-03001-000	Fitting Adapter B	3
4 BH-7485-0413	TP11KC-DX-077.19	SJ03-15100-000	Cylinder Body	2
5 BH-7485-0404	TP10KAC-DX-077.1	BL22-00002-000	Piston Rod	2
6 BH-7485-0414	TP11KC-DX-077.2	5905-00200-000	Oil Seal	2
7 BH-7485-0415	TP11KC-DX-077.3	5901-00447-000	O-Ring	2
8 BH-7485-0416	TP11KC-DX-077.4	BL22-00003-000	Guide Ring	2
9 BH-7485-0417	TP11KC-DX-077.5	BL22-00004-000	Retaining Ring	2
10 BH-7485-0418	TP11KC-DX-077.6	5906-00200-000	Dust Ring	2
11 BH-7485-0419	TP11KC-DX-077.7	5312-00020-000	Retaining Ring	2
12 BH-7485-0420	TP11KC-DX-077.8	5901-00200-000	O-Ring	2
13 BH-7485-0421	TP11KC-DX-077.9	BL22-00001-000	Piston	2
14 BH-7485-0405	TP11KC-DX-077.10	5905-00410-000	Oil Seal	4
15 BH-7485-0406	TP11KC-DX-077.11	5904-00458-000	Guide Belt	2
16 BH-7485-0407	TP11KC-DX-077.12	5202-00016-000	Nut	2
17 BH-7485-0408	TP11KC-DX-077.13	JP17-04004-000	Board	2
18 BH-7485-0409	TP11KC-DX-077.14	QY02-02101-000	Spring	2
19 BH-7485-0410	TP11KC-DX-077.15	SJ03-15002-000	Throttle Valve	2
20 BH-7485-0411	TP11KC-DX-077.16	5308-00146-000	Washer	2
21 BH-7485-0412	TP11KC-DX-077.17	SJ03-15001-000	Fitting Adapter A	2

INCREASE EFFICIENCY • ELIMINATE COSTLY DAMAGE TO DOORS • REDUCE STRESS OF SHOP TECHNICIANS



Prevents Door Dings!
Just one damaged door can cost
3 times as much as a simple investment
in one SVI doorjammerPRO™.



Patent Protected



A Must-Have for All 2-Post Lifts!

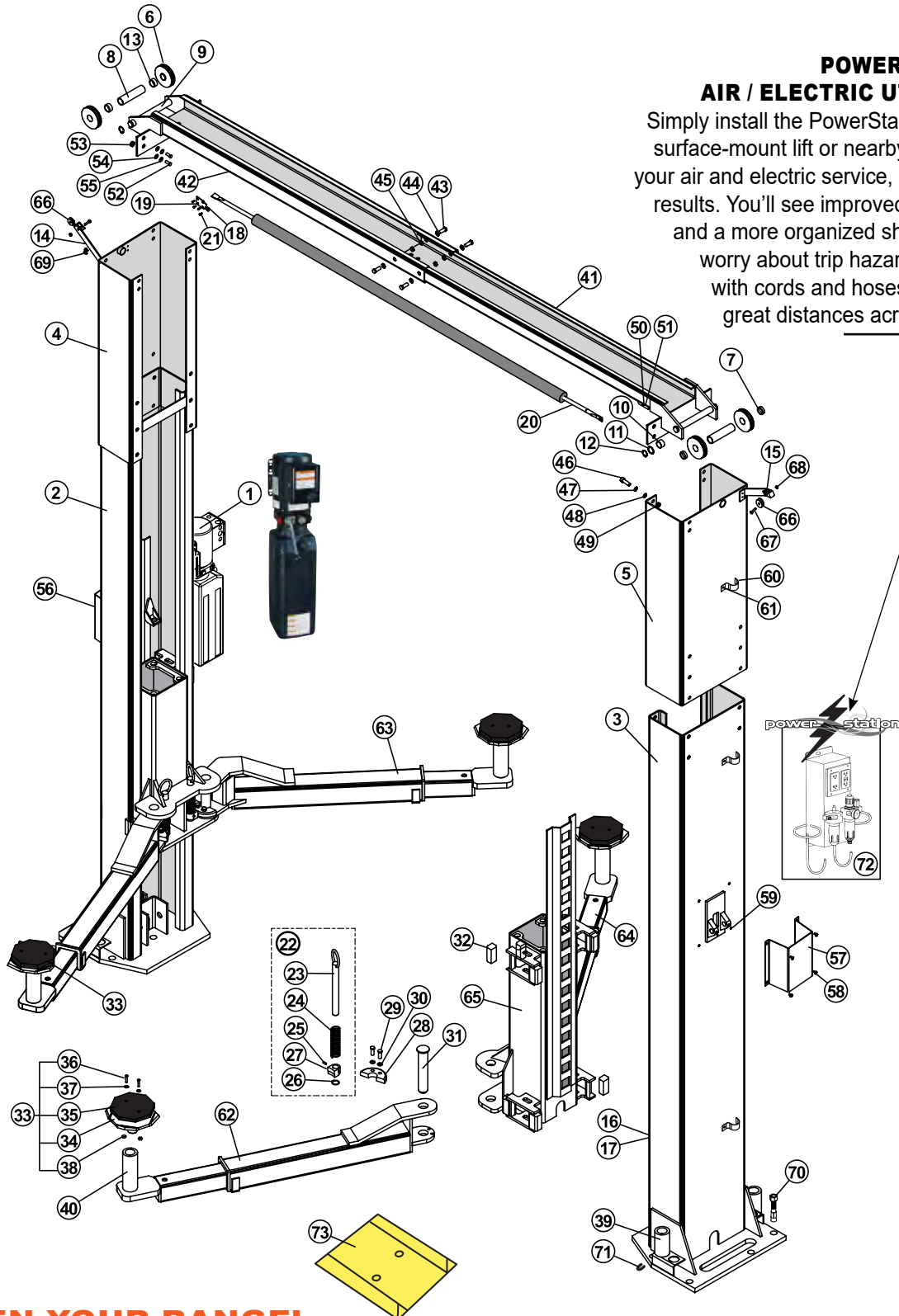
Available in 2 Sizes!

- BH-7077-02-2S** 12" tall x 18" wide
- BH-7077-02-2** 24" tall x 18" wide

For Model TP11KAC

11,000 lb. Capacity 2-Post Asymmetric Clear Floor Lift

DIRECTFIT™
SVI's DIRECT FIT™ BRAND



POWER STATION™ AIR / ELECTRIC UTILITY BOX

Simply install the PowerStation™ on your surface-mount lift or nearby wall, bring in your air and electric service, and watch the results. You'll see improved performance and a more organized shop. No longer worry about trip hazards associated with cords and hoses stretched for great distances across your floor.

WIDEN YOUR RANGE!

With extra wide single and dual wheel spotter dishes exclusively from SVI. Our wheel spotters are stamped from heavy gauge steel then powder coated and shipped with installation hardware. Each spotter is a **full 15" wide** to provide safe spotting for both wide and narrow wheelbase vehicles.

BH-9701 • Single Wheel Spotter Dish 10-3/4" x 15" | **BH-9702** • Dual Wheel Spotter Dish 20-1/8" x 15"



For Model TP11KAC

11,000 lb. Capacity 2-Post Asymmetric Clear Floor Lift

DIRECTFIT™

SVI's DIRECT FIT™ BRAND

Item SVI Part #	Cross Ref #	Cross Ref #	Description	Qty
1 BH-7006A-XX			Power Unit	1
2 BH-7485-0422	TP11KAC-055	TP11KAC-3069	Column Main Side	1
3 BH-7485-0423	TP11KAC-002	TP11KAC-3076	Column Offside	1
4 BH-7485-0424	TP11KAC-001A	TP11KAC-3031	Column Extension Mainside	1
5 BH-7485-0425	TP11KAC-001B	TP11KAC-3094	Column Extension Offside	1
6 BH-7485-0426	TP11KAC-020	TP11KAC-3025	Cable Sheave / Pulley (upper)	4
7 BH-7485-0427	TP11KAC-019	TP11KAC-3065	Cover	2
8 BH-7485-0428	TP11KAC-021	TP11KAC-3098	Cover	2
9 BH-7485-0429	TP11KAC-022	TP11KAC-3040	Cable Sheave Shaft	
10 BH-7485-0430	TP11KAC-026	TP11KAC-3101	Bushing	4
11 BH-7485-0431	TP11KAC-018	TP11KAC-3097	Flat Washer	4
12 BH-7485-0432	TP11KAC-017	TP11KAC-3039	Cable Sheave Retainer	4
13 BH-7485-0433	TP11KAC-025	TP11KAC-3100	Cover	2
14 BH-7485-0434	TP11KAC-063	TP11KAC-3074	Bracket for Safety Cable (Main Side)	2
15 BH-7485-0435	TP11KAC-076	TP11KAC-3081	Bracket for Safety Cable (Offside)	2
16 BH-7490-53	TP11KAC-092	TP11KAC-3024	Hydraulic Cylinder	2
17 BH-7485-0436	TP11KAC-A5	TP11KAC-3090	Seal Kit	2
18 BH-7490-54	TP11KAC-016	TP11KAC-3046	Overhead Limit Switch	1
19 BH-7485-0437	TP11KAC-A7	TP11KAC-3093	Limit Switch Wire	
20 BH-7485-0438	TP11KAC-012	TP11KAC-3047	Overhead Shut Off Bar	1
21 BH-7485-0439	TP11KAC-023	TP11KAC-3099	Cross Screw for Limit Switch	4
22 BH-7485-0440	TP11KAC-067	TP11KAC-3043	Arm Restraint Assembly	1
23 BH-7485-0441	TP11KAC-037	TP11KAC-3011	Arm Restraint Pin	4
24 BH-7485-0442	TP11KAC-036	TP11KAC-3013	Arm Restraint Spring	4
25 BH-7485-0443	TP11KAC-034	TP11KAC-3015	Arm Restraint Cotter Pin	6
26 BH-7485-0444	TP11KAC-033	TP11KAC-3107	Spindle Spring Washer	4
27 BH-7485-0445	TP11KAC-035	TP11KAC-3012	Arm Restraint Engage Gear	4
28 BH-7485-0446	TP11KAC-048	TP11KAC-3014	Arm Restraint Main Gear	4
29 BH-7485-0447	TP11KAC-046	TP11KAC-3108	Bolt	8
30 BH-7485-0448	TP11KAC-047	TP11KAC-3109	Lock Washer	8
31 BH-7485-0449	TP11KAC-040	TP11KAC-3005	Arm Pin	4
32 BH-7485-0450	TP11KAC-038	TP11KAC-3010	Slider Block	16
33 BH-7485-0451	TP11KAC-043	TP11KAC-3000	Adapter with Pad	4
34 BH-7485-0451A	TP11KAC-102A	TP11KAC-3001	Adapter Base Only	4
35 BH-7270-048	TP11KAC-051	TP11KAC-3002	Rubber Arm Pad	4
36 BH-7485-0452	TP11KAC-052	TP11KAC-3068	Elevator Bolt	8
37 BH-7485-0453	TP11KAC-053	TP11KAC-3110	Flat Washer	8
38 BH-7485-0454	TP11KAC-054	TP11KAC-3111	Nut	8
39 BH-7485-0455	TP11KAC-044	TP11KAC-3044	Height Extension Short (1)	4
40 BH-7485-0456	TP11KAC-045	TP11KAC-3045	Height Extension Tall (1)	4
41 BH-7485-0457	TP11KAC-011	TP11KAC-3035	Overhead Inner (Male)	1
42 BH-7485-0458	TP11KAC-024	TP11KAC-3036	Overhead Outer (Female)	1

Item SVI Part #	Cross Ref #	Cross Ref #	Description	Qty
43 BH-7485-0459	TP11KAC-013	TP11KAC-3095	Bolt	6
44 BH-7485-0460	TP11KAC-014	TP11KAC-3064	Flat Washer	12
45 BH-7485-0461	TP11KAC-015	TP11KAC-3096	Nut	6
46 BH-7485-0462	TP11KAC-003	TP11KAC-3056	Bolt for Overhead Beam to Column	16
47 BH-7485-0463	TP11KAC-004	TP11KAC-3057	Washer for Overhead Beam to Column	32
48 BH-7485-0464	TP11KAC-005	TP11KAC-3058	Lock Washer	16
49 BH-7485-0465	TP11KAC-006	TP11KAC-3059	Nut	16
50 BH-7485-0466	TP11KAC-027	TP11KAC-3067	Retaining Ring	1
51 BH-7485-0467	TP11KAC-028	TP11KAC-3102	Flat Washer	1
52 BH-7485-0468	TP11KAC-029	TP11KAC-3103	Bolt	8
53 BH-7485-0469	TP11KAC-030	TP11KAC-3104	Nut	8
54 BH-7485-0470	TP11KAC-031	TP11KAC-3105	Flat Washer	16
55 BH-7485-0471	TP11KAC-032	TP11KAC-3106	Lock Washer	8
56 BH-7485-0472	TP11KAC-061	TP11KAC-3050	Lock Release Cover (Main Side)	1
57 BH-7485-0473	TP11KAC-068	TP11KAC-3049	Lock Release Cover (Offside)	1
58 BH-7485-0474	TP11KAC-061-1	TP11KAC-3072	Screw for Lock Cover	8
59 BH-7485-0475	TP11KAC-074	TP11KAC-3079	Hex Head Cap Screw	2
60 BH-7485-0476	TP11KAC-055-2	TP11KAC-3112	Hose Clip	6
61 BH-7485-0477	TP11KAC-055-1	TP11KAC-3070	Hex Head Cap Screw	6
62 BH-7485-0478	TP11KAC-050	TP11KAC-3003	Swing Arm Assembly Rear	2
63 BH-7485-0479	TP11KAC-041A	TP11KAC-3006	Arm Assembly Left Front	1
64 BH-7485-0480	TP11KAC-041B	TP11KAC-3007	Arm Assembly Right Front	1
65 BH-7485-0481	TP11KAC-039	TP11KAC-3009	Carriage	2
66 BH-7485-0486	TP11KAC-075	TP11KAC-3037	Lock Release Cable Pulley	3
67 BH-7485-0487	TP11KAC-077	TP11KAC-3073	Screw for Safety Cable Pulley Bracket	2
68 BH-7485-0488	TP11KAC-078	TP11KAC-3082	Locknut	2
69 BH-7485-0489	TP11KAC-062	TP11KAC-3116	Bolt	6
70 BH-7075-03		SJ01-12003-000	Wedge Anchor Bolt	12
71 BH-7512-92	TP11KC-DX-066	SJ01-12002-000	Shim Assortment 150 Pieces (3 Sizes)	
72 BH-7070-K			Power Station Air / Electric Utility Box	1
73 BH-9701			Single Wheel Spotter Dish 10-3/4" x 15" Wide	1
73 BH-9702			Dual Wheel Spotter Dish 20-1/8" x 15" Wide	1

NOT SHOWN:

-- BH-7485-0529	TP11KAC-A2	TP11KAC-3030	Truck Adapter Bracket	4
-- BH-7485-0530	TP11KAC-A3	TP11KAC-3052	Bolt for Truck Adapter Bracket	
-- BH-7485-0531	TP11KAC-A4	TP11KAC-3089	Saddle Adapter	2

P
a
g
e

30



Limit Switch for TP11KAC

BH-7490-54

(Ref TP11KAC-3046, TP11KAC-016)

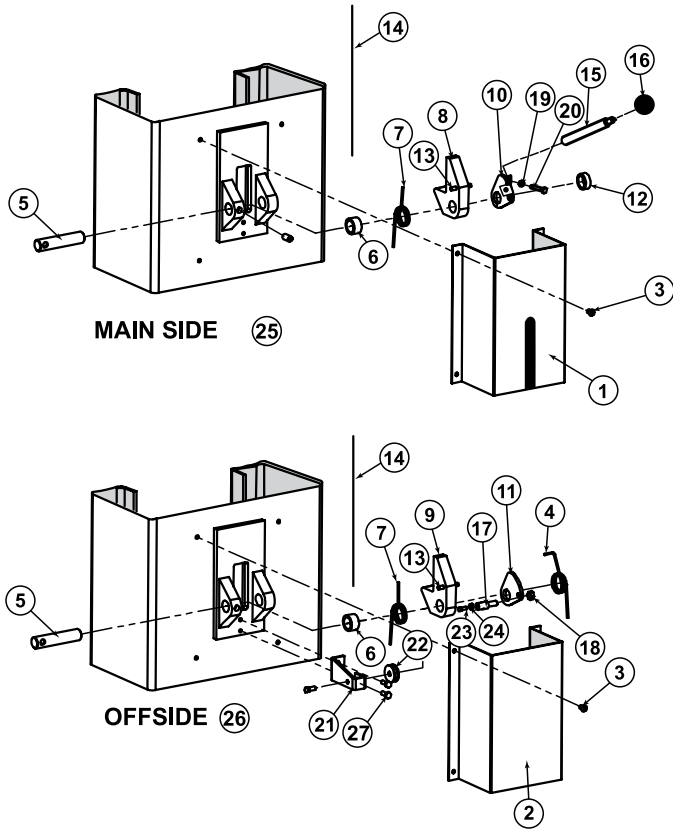


For Model TP11KAC

11,000 lb. Capacity 2-Post Asymmetric Clear Floor Lift

DIRECTFIT™
SVI's DIRECT FIT™ BRAND

Lock Release Detail For Model TP11KAC



Item	SVI Part #	Cross Ref #	Cross Ref #	Description	Qty
1	BH-7485-0472	TP11KAC-061	TP11KAC-3050	Lock Release Cover (Main Side)	1
2	BH-7485-0473	TP11KAC-068	TP11KAC-3049	Lock Release Cover (Offside)	1
3	BH-7485-0474	TP11KAC-061-1	TP11KAC-3072	Screw for Lock Cover	8
4	BH-7488-39	TP11KAC-072	TP11KAC-3051	Secondary Lock Spring	1
5	BH-7485-0490	TP11KAC-066	TP11KAC-3016	Lock Shaft	2
6	BH-7485-0491	TP11KAC-070	TP11KAC-3048	Spacer Bushing	2
7	BH-7488-38	TP11KAC-069	TP11KAC-3017	Main Lock Spring	2
8	BH-7485-0492	TP11KAC-049	TP11KAC-3008	Lock Main Side	1
9	BH-7485-0493	TP11KAC-057	TP11KAC-3019	Lock Offside	2
10	BH-7485-0494	TP11KAC-073-1	TP11KAC-3054	Idler Plate - Main Side	1
11	BH-7485-0495	TP11KAC-058	TP11KAC-3053	Control Plate - Idler Plate (offside)	1
12	BH-7485-0496	TP11KAC-073	TP11KAC-3078	Spacer Bushing	2
13	BH-7485-0497	TP11KAC-042	TP11KAC-3004	Carriage Lock Roll Pin	2
14	BH-7485-0498	TP11KAC-064	TP11KAC-3075	Safety Cable	1
15	BH-7485-0499	TP11KAC-065	TP11KAC-3018	Lock Release Handle	1
16	BH-7485-0500	TP11KAC-074-1	TP11KAC-3080	Ball Safety Latch Handle	1
17	BH-7485-0501	TP11KAC-060	TP11KAC-3071	Bolt Safety Latch	1
18	BH-7485-0502	TP11KAC-059	TP11KAC-3114	Nut	1
19	BH-7485-0503	TP11KAC-079-1	TP11KAC-3042	Nut	1
20	BH-7485-0504	TP11KAC-079	TP11KAC-3041	Bolt M6 X 25	1
21	BH-7485-0505	TP11KAC-056	TP11KAC-3055	Cable Sheave Bracket	1
22	BH-7485-0486	TP11KAC-075	TP11KAC-3037	Lock Release Cable Pulley	3
23	BH-7485-0526	TP11KAC-071	TP11KAC-3077	Screw	3
24	BH-7485-0506	TP11KAC-071-1	TP11KAC-3038	Nut	3
25	BH-7485-0527	TP11KAC-101	TP11KAC-3118	Carriage Lock Assembly Main Side	1
26	BH-7485-0528	TP11KAC-102B	TP11KAC-3119	Carriage Lock Assembly Offside	1
27	BH-7485-0489	TP11KAC-062	TP11KAC-3116	Bolt	6

INCREASE EFFICIENCY • ELIMINATE COSTLY DAMAGE TO DOORS • REDUCE STRESS OF SHOP TECHNICIANS



A Must-Have for All 2-Post Lifts!

Available in 2 Sizes!

- BH-7077-02-2S** 12" tall x 18" wide
- BH-7077-02-2** 24" tall x 18" wide



Prevents Door Dings!
Just one damaged door can cost **3 times as much** as a simple investment in one SVI doorjammerPRO™.



Patent Protected

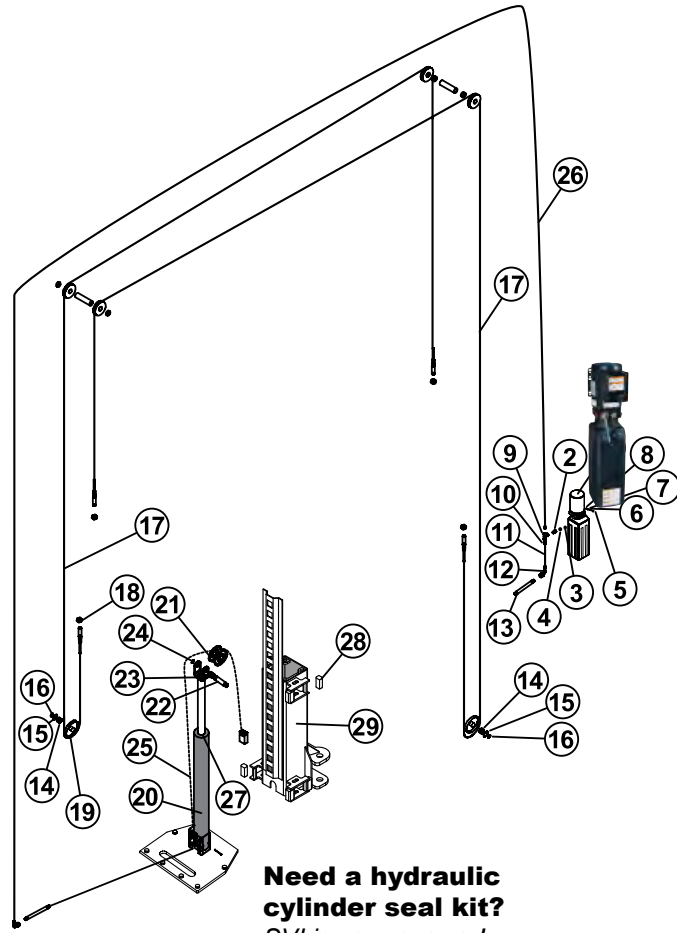


For Model TP11KAC

11,000 lb. Capacity 2-Post Asymmetric Clear Floor Lift

DIRECTFIT™
SVI's DIRECT FIT™ BRAND

Hydraulic Cylinder, Cables, and Chain For Model TP11KAC



Need a hydraulic cylinder seal kit?
SVI is your answer!

Item	SVI Part #	Cross Ref #	Cross Ref #	Description	Qty
1	BH-7006A-XX			Power Unit	1
2	BH-7485-0507	TP11KAC-086	TP11KAC-3084	Fitting PU to Tee Fitting	1
3	BH-7485-0508	TP11KAC-084	TP11KAC-3083	Washer PU Fitting	2
4	BH-7485-0509	TP11KAC-085	TP11KAC-3113	Nut M14 X 1.5	1
5	BH-7485-0510	TP11KAC-080	TP11KAC-3060	Bolt M8 X 15	4
6	BH-7485-0511	TP11KAC-081	TP11KAC-3092	Flat Washer #8	4
7	BH-7485-0512	TP11KAC-082	TP11KAC-3117	Spring Washer #8	4
8	BH-7485-0513	TP11KAC-083	TP11KAC-3115	Locknut M8	4
9	BH-7485-0514	TP11KAC-087	TP11KAC-3085	Tee Fitting	1
10	BH-7485-0515	TP11KAC-088	TP11KAC-3086	Nut 9/16" PU Fitting	1
11	BH-7485-0516	TP11KAC-089	TP11KAC-3033	Hydraulic Hose Short	1
12	BH-7485-0517	TP11KAC-090	TP11KAC-3027	Fitting 90 Degree Elbow	2
13	BH-7485-0518	TP11KAC-091	TP11KAC-3026	Fitting Straight	2
14	BH-7485-0483	TP11KAC-008	TP11KAC-3061	Bushing for Pulley	2
15	BH-7485-0484	TP11KAC-009	TP11KAC-3062	Spindle Spring Washer	2
16	BH-7485-0485	TP11KAC-010	TP11KAC-3063	Cover	2
17	BH-7487-26	TP11KAC-099	TP11KAC-3028	Equalizer Cable (33' 6")	2
18	BH-7485-0519	TP11KAC-100	TP11KAC-3088	Cable Nut	8
19	BH-7485-0482	TP11KAC-007	TP11KAC-3066	Cable Sheave / Pulley (lower)	2
20	BH-7490-53	TP11KAC-092	TP11KAC-3024	Hydraulic Cylinder	2
21	BH-7485-0520	TP11KAC-097	TP11KAC-3022	Chain Roller	2
22	BH-7485-0521	TP11KAC-095	TP11KAC-3020	Pulley Pin	2
23	BH-7485-0522	TP11KAC-096	TP11KAC-3087	Bushing	4
24	BH-7485-0523	TP11KAC-094	TP11KAC-3021	Chain Pulley "C" Clip	4
25	BH-7485-0524	TP11KAC-093	TP11KAC-3023	Chain (See SVI Chain Book)	2
26	BH-7485-0525	TP11KAC-098	TP11KAC-3034	Hydraulic Hose Long	1
27	BH-7485-0436	TP11KAC-A5	TP11KAC-3090	Seal Kit	2
28	BH-7485-0450	TP11KAC-038	TP11KAC-3010	Slider Block	16
29	BH-7485-0481	TP11KAC-039	TP11KAC-3009	Carriage	2

P
a
g
e

32



Insist on SVI Direct Fit™ brand Products!

Whether it's standard or custom, SVI is your answer.

Don't see what you need?

Contact SVI today!

800-321-8173

parts@svintl.com

Auto Lift Cables and Chain Sheaves / Pulleys / Chain Rollers

In-stock repair parts ship same day. Call now.

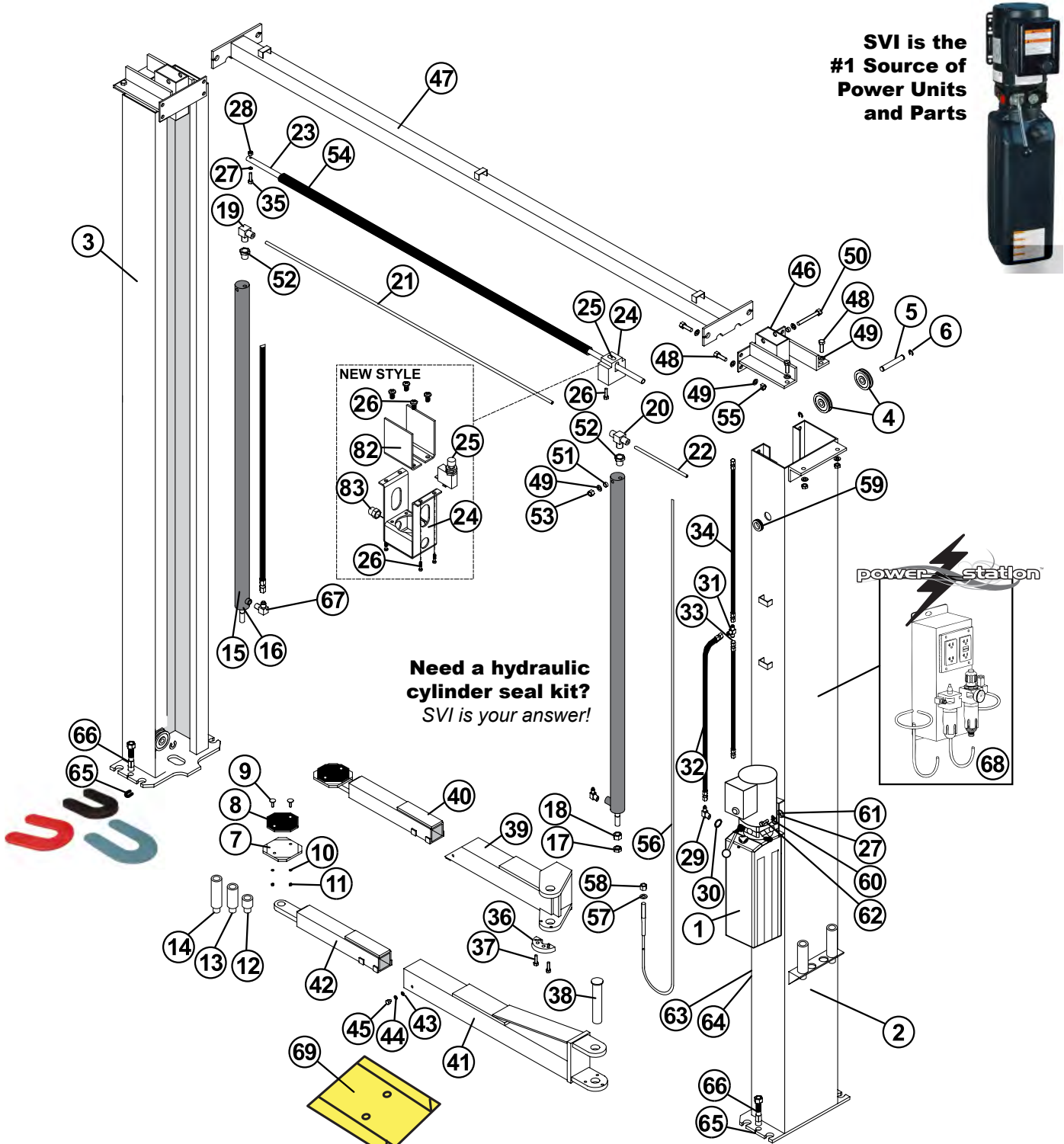


For Model TP11KAC-D

11,000 lb. Capacity 2-Post Asymmetric Clear Floor Lift

NOTE: This model may be labeled Model 165948 by Kernel.

DIRECTFIT™
SVI's DIRECT FIT™ BRAND



SVI is the #1 Source of Power Units and Parts



Need a hydraulic cylinder seal kit?
SVI is your answer!

WIDEN YOUR RANGE!

With extra wide single and dual wheel spotter dishes exclusively from SVI. Our wheel spotters are stamped from heavy gauge steel then powder coated and shipped with installation hardware. Each spotter is a **full 15" wide** to provide safe spotting for both wide and narrow wheelbase vehicles.

BH-9701 • Single Wheel Spotter Dish 10-3/4" x 15"

BH-9702 • Dual Wheel Spotter Dish

20-1/8" x 15"



For Model TP11KAC-D

11,000 lb. Capacity 2-Post Asymmetric Clear Floor Lift

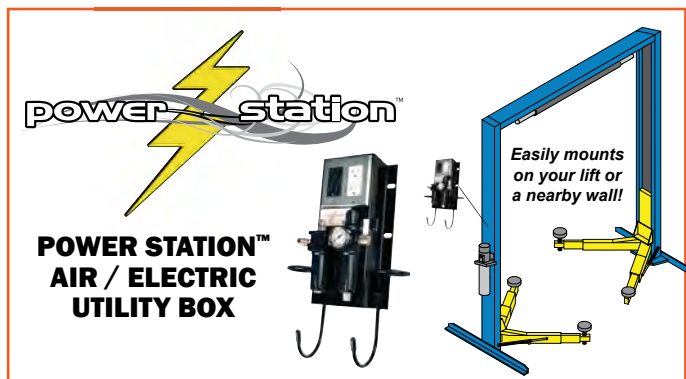
DIRECTFIT™
SVI's DIRECT FIT™ BRAND

NOTE: This model may be labeled Model 165948 by Kernel.

Item SVI Part #	Cross Ref #	Cross Ref #	Description	Qty
1 BH-7006A-XX		BZ01-00000-000	Power Unit	1
2 BH-7485-0260		SJ01-06000-000	Column (power unit side)	1
3 BH-7485-0259		SJ01-01000-000	Column (offside)	1
4 BH-7485-0285	TP11KC-DX-028	SJ01-00001-000	Cable Sheave/Pulley	6
5 BH-7485-0284	TP11KC-DX-026	SJ01-00007-000	Sheave / Pulley Pin	2
6 BH-7485-0283		5305-00015-000	Washer	10
7 BH-7485-0275		SJ01-10100-000	Adapter Base	4
8 BH-7270-048		SJ01-10001-000	Rubber Arm Pad	4
9 BH-7485-0276		SJ01-10003-000	Bolt	8
10 BH-7485-0274		5301-00006-000	Flat Washer	8
11 BH-7485-0273		5206-00005-000	Nylon Lock Nut	8
12 BH-7485-0261		SJ01-00003-000	Nesting Height Extension Short	4
13 BH-7485-0262		SJ01-00004-000	Nesting Height Extension Medium	4
14 BH-7485-0263		SJ01-00005-000	Nesting Height Extension Tall	4
15 BH-7485-0266		SJ01-03000-000	Hydraulic Cylinder	2
16 BH-7485-0266SK			Hydraulic Cylinder Seal Kit	2
17 BH-7485-0264	TP11KC-DX-075	SJ01-00026-000	Jam Nut	2
18 BH-7485-0265	TP11KC-DX-076	SJ01-00027-000	Hex Nut	2
19 BH-7485-0280	TP11KC-DX-065	SJ01-00008-000	Elbow Fitting	1
20 BH-7485-0296	TP11KC-DX-034	SJ01-00014-000	Tee Fitting	1
21 BH-7485-0291	TP11KC-DX-097	SJ01-00013-000	Air Tube	1
22 BH-7485-0301	TP11KC-DX-037	SJ01-00015-000	Air Tube	1
23 BH-7485-0293	TP11KC-DX-033	SJ01-00011-000	Shutoff Bar	1
24 BH-7485-0298	TP11KC-DX-070	SJ01-00028-000	Limit Switch Housing	1
25 BH-7485-0299		SJ01-00012-000	Limit Switch	1
26 BH-7485-0297		5110-06008-000	Bolt	4
27 BH-7485-0290	TP11KC-DX-063	5301-00008-000	Flat Washer	14
28 BH-7485-0295	TP11KC-DX-015	5202-00008-000	Nut	3
29 BH-7485-0331	TP11KC-DX-057	SJ01-12001-000	Elbow Fitting	1
30 BH-7485-0332		5109-00118-000	O-Ring	1
31 BH-7485-0306	TP11KC-DX-046	SJ01-00016-000	Tee Fitting	1
32 BH-7485-0304	TP11KC-DX-048	SJ01-00018-000	Hydraulic Hose 54.3"	1
33 BH-7485-0305	TP11KC-DX-045	SJ01-00019-000	Hydraulic Hose 71"	1
34 BH-7485-0303	TP11KC-DX-047	SJ01-00006-000	Hydraulic Hose 207"	1
35 BH-7485-0289		5101-08040-000	Hex Head Capscrew	1
36 BH-7485-0321		SJ01-00025-000	Arm Restraint Main Gear	4
37 BH-7485-0320		5102-10040-000	Hex Head Capscrew	8

Item SVI Part #	Cross Ref #	Cross Ref #	Description	Qty
38 BH-7485-0277	TP10KAC-DX-094	SJ01-00021-000	Swing Arm Pin	4
39L BH-7485-0268		SJ01-11000-000	Outer Swing Arm - Left (Specify left or right)	1
39R BH-7485-0269		SJ01-11000-000	Outer Swing Arm - Right (Specify left or right)	1
40 BH-7485-0270		SJ01-09000-000	Inner Arm	2
41 BH-7485-0271		SJ01-08000-000	Outer Swing Arm	2
42 BH-7485-0272		SJ01-13000-000	Inner Arm	2
43 BH-7485-0315		5301-00010-000	Flat Washer	6
44 BH-7485-0328		5303-00010-000	Lock Washer	4
45 BH-7485-0329		5102-10016-000	Hex Head Capscrew	4
46 BH-7485-0300		SJ01-04000-000	Cylinder Mount Weldment	2
47 BH-7485-0287	TP11KC-DX-030	SJ01-05000-000	Overhead Cross Beam	1
48 BH-7485-0288	TP11KC-DX-031	5103-14045-000	Hex Head Capscrew	12
49 BH-7485-0282	TP11KC-DX-023	5302-00014-000	Flat Washer	28
50 BH-7485-0286		5103-14110-000	Hex Head Capscrew	2
51 BH-7485-0279	TP11KC-DX-096	SJ01-00009-000	Sleeve	4
52 BH-7485-0294		SJ01-03001-000	Fitting	2
53 BH-7485-0278		5206-00014-000	Nylon Lock Nut	2
54 BH-7485-0292	TP11KC-DX-098	SJ01-00010-000	Cushion, Shutoff Bar	1
55 BH-7485-0281	TP11KC-DX-022	5202-00014-000	Nut	12
56 BH-7485-0327	TP11KC-DX-088	SJ01-00002-000	Equalizer Cable Assembly 33' 8"	2
57 BH-7485-0326	TP11KC-DX-089	5302-00016-000	Flat Washer	4
58 BH-7485-0325		5206-00016-000	Nylon Lock Nut	4
59 BH-7485-0302	TP11KC-DX-039	SJ01-00017-000	Rubber Grommet	1
60 BH-7485-0333		SJ01-14001-000	Washer	4
61 BH-7485-0334	TP11KC-DX-032	5206-00008-000	Nut	4
62 BH-7485-0335		5102-08025-000	Hex Head Capscrew	4
63 BH-7485-0308	TP11KC-DX-050	SJ01-00020-000	Slider Block	16
64 BH-7485-0307		SJ01-02000-000	Carriage	2
65 BH-7512-92	TP11KC-DX-066	SJ01-12002-000	Shim Assortment 150 Pieces (3 Sizes)	
66 BH-7075-03		SJ01-12003-000	Wedge Anchor Bolt	12
67 BH-7485-0267		SJ01-03002-000	Elbow Fitting	2
68 BH-7485-0384	TP11KC-DX-068	SJ01-00030-000	Cover Plate, Limit Switch	1
69 BH-7485-0385	TP11KC-DX-069	SJ03-00024-000	Cable Nut	1
70 BH-7070-K			Power Station Air / Electric Utility Box	1
71 BH-9701			Single Wheel Spotter Dish 10-3/4" x 15" Wide	1
71 BH-9702			Dual Wheel Spotter Dish 20-1/8" x 15" Wide	1

Page 34



Need repair parts or consumables for your Tire Changer?
SVI is your answer!





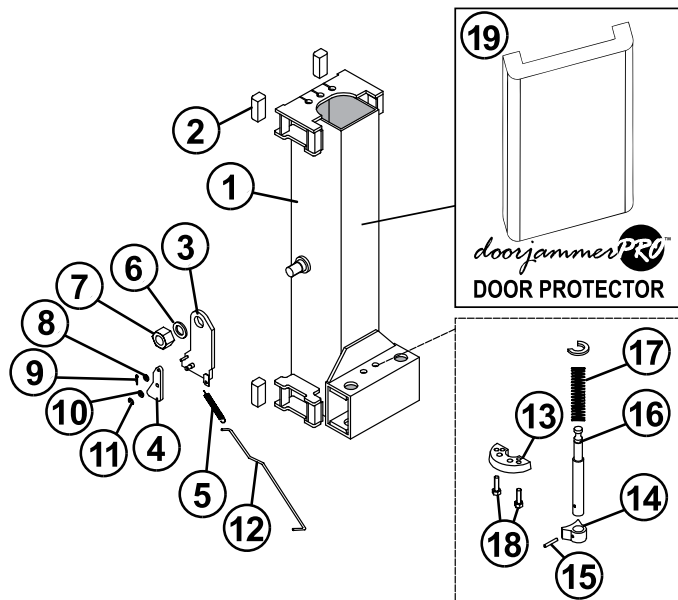
For Model TP11KAC-D

11,000 lb. Capacity 2-Post Asymmetric Clear Floor Lift

NOTE: This model may be labeled Model 165948 by Kernel.

DIRECTFIT™
SVI's DIRECT FIT™ BRAND

Carriage Lock and Arm Restraint Detail For Model TP11KAC-D



Item	SVI Part #	Cross Ref #	Cross Ref #	Description	Qty
1	BH-7485-0307		SJ01-02000-000	Carriage	2
2	BH-7485-0308		SJ01-00020-000	Slider Block	16
3	BH-7485-0309		SJ01-07100-000	Safety Latch Weldment	1
4	BH-7485-0316		SJ01-07002-000	Latch Release Pivot	2
5	BH-7485-0317		SJ01-07007-000	Lock Latch Spring	2
6	BH-7485-0310		5302-00030-000	Flat Washer	2
7	BH-7485-0311		5206-00030-000	Nylon Lock Nut	2
8	BH-7485-0312		5301-00005-000	Flat Washer	2
9	BH-7485-0313		5404-02012-000	Pin	2
10	BH-7485-0315		5301-00010-000	Flat Washer	6
11	BH-7485-0314		5305-00009-000	Washer	2
12	BH-7485-0318		SJ01-07003-000	Lock Release Rod	2
13	BH-7485-0321		SJ01-00025-000	Arm Restraint Main Gear	4
14	BH-7485-0322	TP11KC-DX-054	SJ01-00023-000	Arm Restraint Engage Gear	4
15	BH-7485-0319	TP11KC-DX-055	5402-06038-000	Pin	4
16	BH-7485-0323	TP11KC-DX-053	SJ01-00022-000	Arm Restraint Plunger	4
17	BH-7485-0324	TP11KC-DX-052	SJ01-00024-000	Arm Restraint Spring	4
18	BH-7485-0320		5102-10040-000	Hex Head Capscrew	8
19	BH-7077-02-2S			DoorJammerPRO™ Door Protector (Set of 2) 18" Wide x 12" Tall	1
19	BH-7077-02-2			DoorJammerPRO™ Door Protector (Set of 2) 18" Wide x 24" Tall	1

Insist on SVI Direct Fit™ brand Products!

Whether it's standard or custom, SVI is your answer.

Don't see what you need?

Contact SVI today!

800-321-8173

parts@sviintl.com



Auto Lift Cables and Chain Sheaves / Pulleys / Chain Rollers



TURF AND UTILITY TRAYS

FOR 2-POST LIFTS
SYMMETRIC / ASYMMETRIC

The #1 Choice for Symmetric or Asymmetric 2-Post Surface Mount Lifts and In-Ground Side-By-Side, too!

Various Styles Available!
Contact SVI today!





For Model TP11KC-DX

11,000 lb. Capacity 2-Post Bi-Symmetric Clear Floor Lift

Tuxedo Bi-Symmetric models are designed to allow the arms to be configured for both asymmetrical and symmetrical lifting configurations.

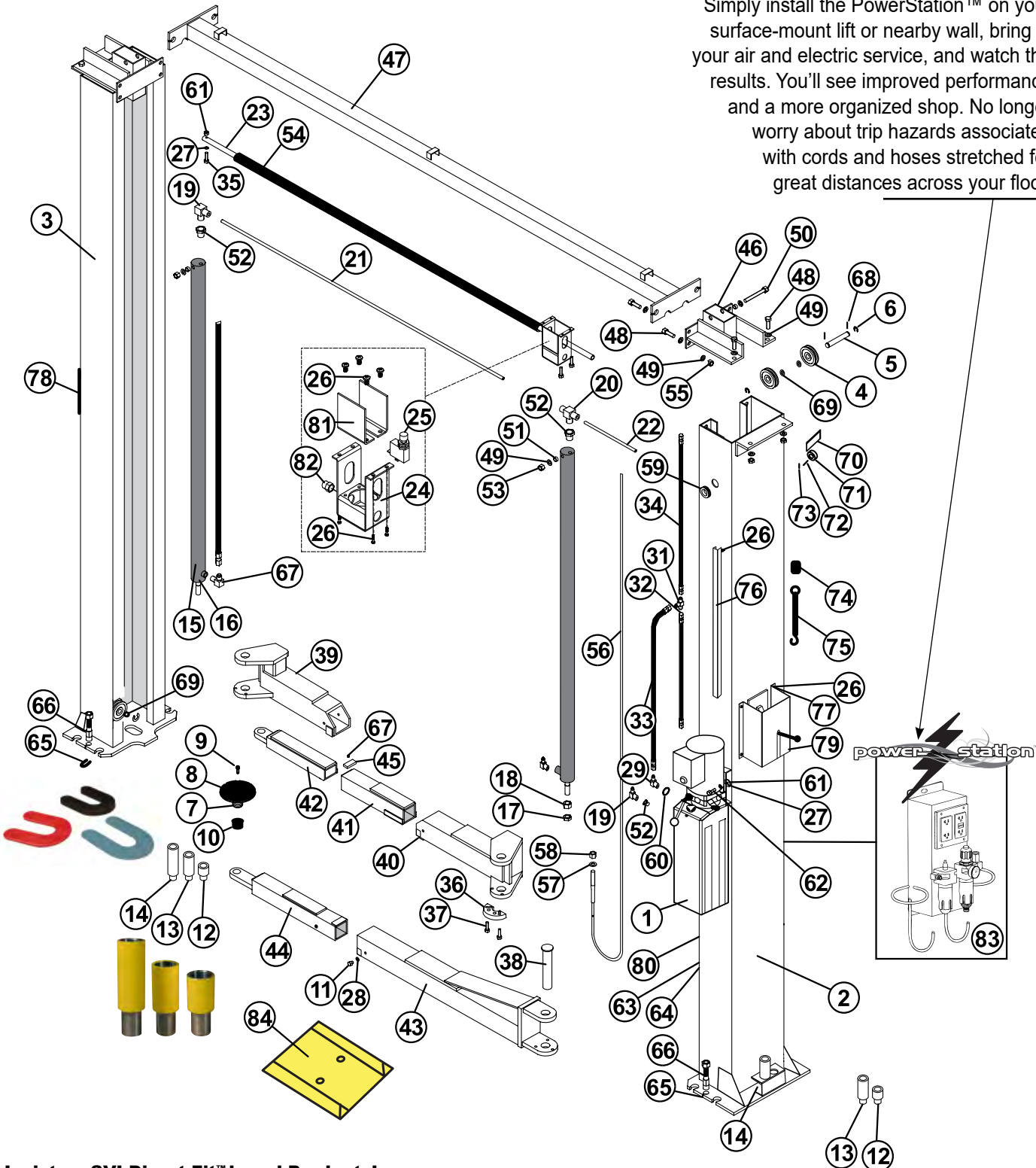
DIRECTFIT™
SVI's DIRECT FIT™ BRAND

NOTE: This model may be labeled Tuxedo, Kernel 165948T, and others.

POWER STATION™

AIR / ELECTRIC UTILITY BOX

Simply install the PowerStation™ on your surface-mount lift or nearby wall, bring in your air and electric service, and watch the results. You'll see improved performance and a more organized shop. No longer worry about trip hazards associated with cords and hoses stretched for great distances across your floor.



P
a
g
e

36 Insist on SVI Direct Fit™ brand Products!



For Model TP11KC-DX

11,000 lb. Capacity 2-Post Bi-Symmetric Clear Floor Lift

DIRECTFIT™
SVI's DIRECT FIT™ BRAND

Tuxedo Bi-Symmetric models are designed to allow the arms to be configured for both asymmetrical and symmetrical lifting configurations.

NOTE: This model may be labeled Tuxedo, Kernel 165948T, and others.

Item SVI Part #	Cross Ref #	Cross Ref #	Description	Qty	Item SVI Part #	Cross Ref #	Cross Ref #	Description	Qty		
1	BH-7006A-XX	TP11KC-DX-060	165948T*01-060	Power Unit	1	48	BH-7485-0288	TP11KC-DX-031	165948T*01-031	Hex Head Capscrew	12
2	BH-7485-0535	TP11KC-DX-038	165948T*01-038	Main Side Column	1	49	BH-7485-0282	TP11KC-DX-023	165948T*01-023	Flat Washer	28
3	BH-7485-0534	TP11KC-DX-001	165948T*01-001	Offside Column	1	50	BH-7485-0363	TP11KC-DX-029	165948T*01-029	Pin	2
4	BH-7485-0285	TP11KC-DX-028	165948T*01-028	Cable Sheave/Pulley	6	51	BH-7485-0279	TP11KC-DX-096	165948T*01-096	Sleeve	4
5	BH-7485-0284	TP11KC-DX-026	165948T*01-026	Sheave / Pulley Pin	2	52	BH-7485-0354	TP11KC-DX-064	165948T*01-064	Fitting Adapter	1
6	BH-7485-0338	TP11KC-DX-024	165948T*01-024	Flat Washer	6	53	BH-7485-0365	TP11KC-DX-095	165948T*01-095	Retaining Ring	4
7	BH-7485-0339	TP11KC-DX-084.1	165948T*01-084	Swivel Pad	4	54	BH-7485-0292	TP11KC-DX-098	165948T*01-098	Cushion for Shutoff Bar	1
8	BH-7485-0340	TP11KC-DX-083.1	165948T*01-083	Rubber Pad	4	55	BH-7485-0281	TP11KC-DX-022	165948T*01-022	Nut	12
9	BH-7485-0341	TP11KC-DX-002	165948T*01-002	Socket Head Cap Screw	16	56	BH-7485-0327	TP11KC-DX-088	165948T*01-088	Equalizer Cable Assembly, 33'-8"	2
10	BH-7485-0342	TP11KC-DX-087	165948T*01-087	Nut	4	57	BH-7485-0326	TP11KC-DX-089	165948T*01-089	Washer, D16	4
11	BH-7485-0343	TP11KC-DX-072	165948T*01-072	Hex Head Capscrew	4	58	BH-7485-0366	TP11KC-DX-090	165948T*01-090	Nut	8
12	BH-7485-0344	TP11KC-DX-003	165948T*01-003	Nesting Height Extension 2"4	4	59	BH-7485-0302	TP11KC-DX-039	165948T*01-039	Rubber Grommet	1
13	BH-7485-0345	TP11KC-DX-004	165948T*01-004	Nesting Height Extension 4"4	4	60	BH-7485-0367	TP11KC-DX-058	165948T*01-058	O-Ring	1
14	BH-7485-0346	TP11KC-DX-067	165948T*01-067	Height Adapter Hanger Bracket	2	61	BH-7485-0334	TP11KC-DX-032	165948T*01-032	Nylon Lock Nut	5
15	BH-7485-0347	TP11KC-DX-077	165948T*01-077	Hydraulic Cylinder	2	62	BH-7485-0368	TP11KC-DX-059	165948T*01-059	Hex Head Capscrew	4
16	BH-7485-0348			Seal Kit for Hyd. Cylinder	2	63	BH-7485-0308	TP11KC-DX-050	165948T*01-050	Slider Block	16
17	BH-7485-0264	TP11KC-DX-075	165948T*01-075	Jam Nut, Cylinder	2	65	BH-7485-0330	TP11KC-DX-066	165948T*01-066	Shim	16
18	BH-7485-0265	TP11KC-DX-076	165948T*01-076	Hex Nut, Cylinder	2	66	BH-7075-03	TP11KC-DX-056	165948T*01-056	Wedge Anchor Bolt	12
19	BH-7485-0280	TP11KC-DX-065	165948T*01-065	Elbow Fitting	2	67	BH-7485-0369	TP11KC-DX-103	165948T*01-103	Screw	4
20	BH-7485-0296	TP11KC-DX-034	165948T*01-034	Tee Fitting	1	68	BH-7485-0370	TP11KC-DX-027	165948T*01-027	Cotter Pin	6
21	BH-7485-0291	TP11KC-DX-097	165948T*01-097	Return Line #1	1	69	BH-7485-0371	TP11KC-DX-025	165948T*01-025	Bearing	6
22	BH-7485-0301	TP11KC-DX-037	165948T*01-037	Return Line #2	1	70	BH-7485-0372	TP11KC-DX-036	165948T*01-036	Large Bracket	2
23	BH-7485-0293	TP11KC-DX-033	165948T*01-033	Overhead Shut-Off Bar	1	71	BH-7485-0373	TP11KC-DX-006	165948T*01-006	Lock Release Cable Pulley	3
24	BH-7485-0298	TP11KC-DX-070	165948T*01-070	Housing, Limit Switch	1	72	BH-7485-0374	TP11KC-DX-007	165948T*01-007	Pin	3
25	BH-7485-0349	TP11KC-DX-071.1	165948T*01-071	Limit Switch	1	73	BH-7485-0375	TP11KC-DX-008	165948T*01-008	Cotter Pin	3
26	BH-7485-0350	TP11KC-DX-005	165948T*01-005	Screw	24	74	BH-7485-0376	TP11KC-DX-106	165948T*01-106	Cable Lock	2
27	BH-7485-0290	TP11KC-DX-063	165948T*01-063	Flat Washer	9	75	BH-7485-0377	TP11KC-DX-107	165948T*01-107	Tumbuckle	1
28	BH-7485-0342	TP11KC-DX-087	165948T*01-087	Nut	4	76	BH-7485-0378	TP11KC-DX-108	165948T*01-108	Hose Cover (some models)	1
29	BH-7485-0331	TP11KC-DX-057	165948T*01-057	Elbow Fitting	1	77	BH-7485-0379	TP11KC-DX-010	165948T*01-010	Flat Washer	8
31	BH-7485-0306	TP11KC-DX-046	165948T*01-046	Hydraulic Tee Fitting	1	78	BH-7485-0380	TP11KC-DX-009	165948T*01-009	Lock Release Cover (offside)	1
32	BH-7485-0304	TP11KC-DX-048	165948T*01-048	Hydraulic Hose, 54.3"	1	79	BH-7485-0381	TP11KC-DX-040	165948T*01-040	Lock Release Cover (main side)	1
33	BH-7485-0305	TP11KC-DX-045	165948T*01-045	Hydraulic Hose, 71"	1	80	BH-7485-0533	TP11KC-DX-049	165948T*01-049	Carriage	2
34	BH-7485-0303	TP11KC-DX-047	165948T*01-047	Hydraulic Hose, 207"	1	81	BH-7485-0384	TP11KC-DX-068	165948T*01-068	Cover Plate, Limit Switch	1
35	BH-7485-0352	TP11KC-DX-101	165948T*01-101	Hex Head Capscrew	1	82	BH-7485-0385	TP11KC-DX-069	165948T*01-069	Cable Nut	1
36	BH-7485-0353	TP11KC-DX-081	165948T*01-081	Arm Restraint Main Gear	4	83	BH-7070-K			Power Station Air / Electric Utility Box	1
37	BH-7485-0320	TP11KC-DX-080	165948T*01-080	Hex Head Capscrew	8	84	BH-9701			Single Wheel Spotter Dish 10-3/4" x 15" Wide	1
38	BH-7485-0532	TP11KC-DX-094	165948T*01-094	Swing Arm Pin	4	84	BH-9702			Dual Wheel Spotter Dish 20-1/8" x 15" Wide	1
39	BH-7485-0355	TP11KC-DX-082	165948T*01-082	Outside Front Arm Left (LH)	1	KIT	BH-7485-0955K	TP11DX-SPNCA		Spin-Up Cradle Adapters (4) (Not Shown)	
40	BH-7485-0356	TP11KC-DX-092	165948T*01-092	Outside Front Arm Right (RH)	1						
41	BH-7485-0357	TP11KC-DX-093	165948T*01-093	Middle Front Arm	2						
42	BH-7485-0358	TP11KC-DX-091	165948T*01-091	Inner Front Arm	2						
43	BH-7485-0359	TP11KC-DX-074	165948T*01-074	Outside Rear Arm	2						
44	BH-7485-0360	TP11KC-DX-086	165948T*01-086	Inner Rear Arm	2						
45	BH-7485-0361	TP11KC-DX-104	165948T*01-0104	Limit Block	2						
46	BH-7485-0362	TP11KC-DX-035	165948T*01-035	Cylinder Mount Bracket	2						
47	BH-7485-0287	TP11KC-DX-030	165948T*01-030	Overhead Crossbeam	1						



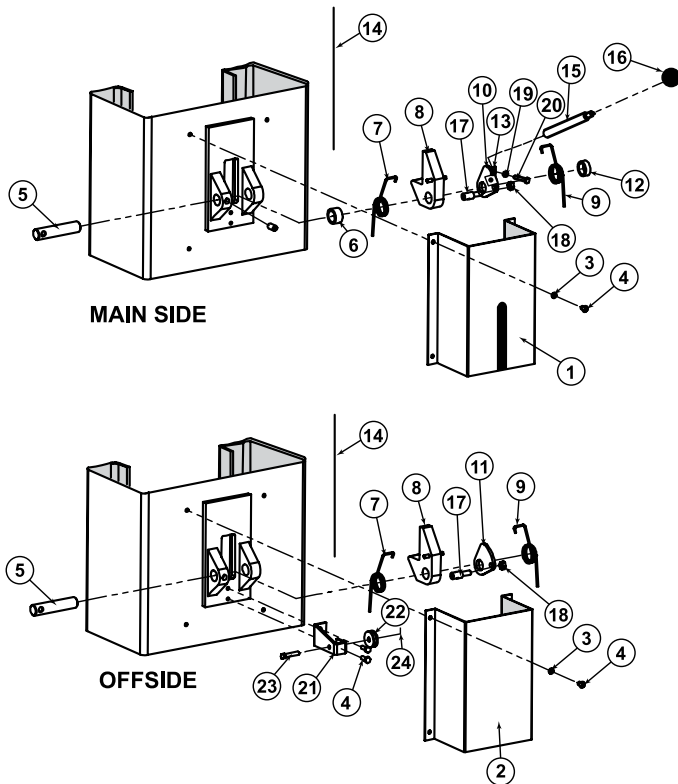
For Model TP11KC-DX

11,000 lb. Capacity 2-Post Bi-Symmetric Clear Floor Lift

Tuxedo Bi-Symmetric models are designed to allow the arms to be configured for both asymmetrical and symmetrical lifting configurations.

DIRECTFIT™
SVI's DIRECT FIT™ BRAND

NOTE: This model may be labeled Tuxedo, Kernel 165948T, and others.

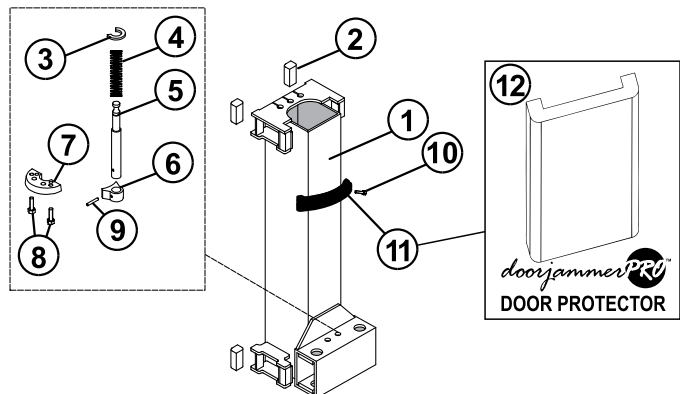


Lock Release Detail For Model TP11KC-DX

Item SVI Part #	Cross Ref #	Cross Ref #	Description	Qty
1 BH-7485-0381	TP11KC-DX-040	165948T*01-040	Lock Release Cover (main side)	1
2 BH-7485-0380	TP11KC-DX-009	165948T*01-009	Lock Release Cover (offside)	1
3 BH-7485-0379	TP11KC-DX-010	165948T*01-010	Flat Washer	8
4 BH-7485-0350	TP11KC-DX-005	165948T*01-005	Screw	10
5 BH-7485-0536	TP11KC-DX-021	165948T*01-021	Latch Shaft	2
6 BH-7485-0537	TP11KC-DX-044	165948T*01-044	Spacer #2	2
7 BH-7485-0393	TP11KC-DX-020	165948T*01-020	Lock Release Spring #1	2
8 BH-7485-0538	TP11KC-DX-019	165948T*01-019	Safety Latch	2
9 BH-7485-0394	TP11KC-DX-018	165948T*01-018	Lock Release Spring #2	2
10 BH-7485-0539	TP11KC-DX-061	165948T*01-061	Main Side Bracket	1
11 BH-7485-0540	TP11KC-DX-017	165948T*01-017	Offside Bracket	1
12 BH-7485-0541	TP11KC-DX-062	165948T*01-062	Spacer #1	2
13 BH-7485-0389	TP11KC-DX-014	165948T*01-014	Hex Head Capscrew	2
14 BH-7485-0398	TP11KC-DX-042	165948T*01-042	Lock Release Cable, 306"	2
15 BH-7485-0399	TP11KC-DX-043	165948T*01-043	Lock Release Handle	1
16 BH-7485-0397	TP11KC-DX-041	165948T*01-041	Handle Knob	1
17 BH-7485-0392	TP11KC-DX-016	165948T*01-016	Threaded Pin	4
18 BH-7485-0295	TP11KC-DX-015	165948T*01-015	Nut	2
19 BH-7485-0388	TP11KC-DX-013	165948T*01-013	Nut	2
20 BH-7485-0387	TP11KC-DX-012	165948T*01-012	Hex Head Capscrew	2
21 BH-7485-0386	TP11KC-DX-011	165948T*01-011	Small Bracket	1
22 BH-7485-0373	TP11KC-DX-006	165948T*01-006	Lock Release Cable Pulley	3
23 BH-7485-0374	TP11KC-DX-007	165948T*01-007	Pin	3
24 BH-7485-0375	TP11KC-DX-008	165948T*01-008	Cotter Pin	3

Carriage and Arm Restraint Detail For Model TP11KC-DX

Item SVI Part #	Cross Ref #	Cross Ref #	Description	Qty
1 BH-7485-0533	TP11KC-DX-049	165948T*01-049	Carriage	2
2 BH-7485-0308	TP11KC-DX-050	165948T*01-050	Slider Block	16
3 BH-7485-0401	TP11KC-DX-051	165948T*01-051	Retaining Ring	4
4 BH-7485-0324	TP11KC-DX-052	165948T*01-052	Arm Restraint Spring	4
5 BH-7485-0323	TP11KC-DX-053	165948T*01-053	Arm Restraint Plunger	4
6 BH-7485-0322	TP11KC-DX-054	165948T*01-054	Arm Restraint Engage Gear	4
7 BH-7485-0353	TP11KC-DX-081	165948T*01-081	Arm Restraint Main Gear	4
8 BH-7485-0354	TP11KC-DX-080	165948T*01-080	Hex Head Capscrew	8
9 BH-7485-0319	TP11KC-DX-055	165948T*01-055	Cotter Pin	4
10 BH-7485-0341	TP11KC-DX-002	165948T*01-002	Screw	16
11 BH-7485-0403	TP11KC-DX-073	165948T*01-073	Rubber Door Guard	2
12 Choose Your Size:			DoorJammerPRO™ Door Protector (Set of 2)	1
	BH-7077-02-2S		18" Wide x 12" Tall	
	BH-7077-02-2		18" Wide x 24" Tall	



P
a
g
e



For Model TP11KC-DX

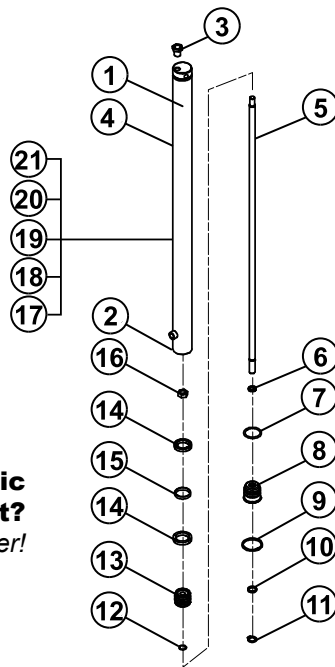
11,000 lb. Capacity 2-Post Bi-Symmetric Clear Floor Lift

Tuxedo Bi-Symmetric models are designed to allow the arms to be configured for both asymmetrical and symmetrical lifting configurations.

DIRECTFIT™
SVI's DIRECT FIT™ BRAND

NOTE: This model may be labeled Tuxedo, Kernel 165948T, and others.

Hydraulic Cylinder and Seals Detail For Model TP11KC-DX



Need a hydraulic cylinder seal kit?
SVI is your answer!

Item	SVI Part #	Cross Ref #	Cross Ref #	Description	Qty
1	BH-7485-0347	TP11KC-DX-077	165948T*01-077	Hydraulic Cylinder	2
2	BH-7485-0348			Seal Kit for Hyd. Cylinder	2
3	BH-7485-0364	TP11KC-DX-077.18	165948T*01-077-18	Fitting Adapter B	3
4	BH-7485-0413	TP11KC-DX-077.19	165948T*01-077-19	Cylinder Body	2
5	BH-7485-0404	TP10KAC-DX-077.1	165948T*01-077-1	Piston Rod	2
6	BH-7485-0414	TP11KC-DX-077.2	165948T*01-077-2	Oil Seal	2
7	BH-7485-0415	TP11KC-DX-077.3	165948T*01-077-3	O-Ring	2
8	BH-7485-0416	TP11KC-DX-077.4	165948T*01-077-4	Guide Ring	2
9	BH-7485-0417	TP11KC-DX-077.5	165948T*01-077-5	Retaining Ring	2
10	BH-7485-0418	TP11KC-DX-077.6	165948T*01-077-6	Dust Ring	2
11	BH-7485-0419	TP11KC-DX-077.7	165948T*01-077-7	Retaining Ring	2
12	BH-7485-0420	TP11KC-DX-077.8	165948T*01-077-8	O-Ring	2
13	BH-7485-0421	TP11KC-DX-077.9	165948T*01-077-9	Piston	2
14	BH-7485-0405	TP11KC-DX-077.10	165948T*01-077-10	Oil Seal	4
15	BH-7485-0406	TP11KC-DX-077.11	165948T*01-077-11	Guide Belt	2
16	BH-7485-0407	TP11KC-DX-077.12	165948T*01-077-12	Nut	2
17	BH-7485-0408	TP11KC-DX-077.13	165948T*01-077-13	Board	2
18	BH-7485-0409	TP11KC-DX-077.14	165948T*01-077-14	Spring	2
19	BH-7485-0410	TP11KC-DX-077.15	165948T*01-077-15	Throttle Valve	2
20	BH-7485-0411	TP11KC-DX-077.16	165948T*01-077-16	Washer	2
21	BH-7485-0412	TP11KC-DX-077.17	165948T*01-077-17	Fitting Adapter A	2

INCREASE EFFICIENCY • ELIMINATE COSTLY DAMAGE TO DOORS • REDUCE STRESS OF SHOP TECHNICIANS

*doorjammer***PRO™**
Durable • Impact Resistant

A Must-Have for All 2-Post Lifts!

Available in 2 Sizes!

- BH-7077-02-2S** 12" tall x 18" wide
- BH-7077-02-2** 24" tall x 18" wide



Prevents Door Dings!

Just one damaged door can cost
3 times as much as a simple investment
in one SVI doorjammerPRO™.



Patent Protected



For Model TP12KC-D

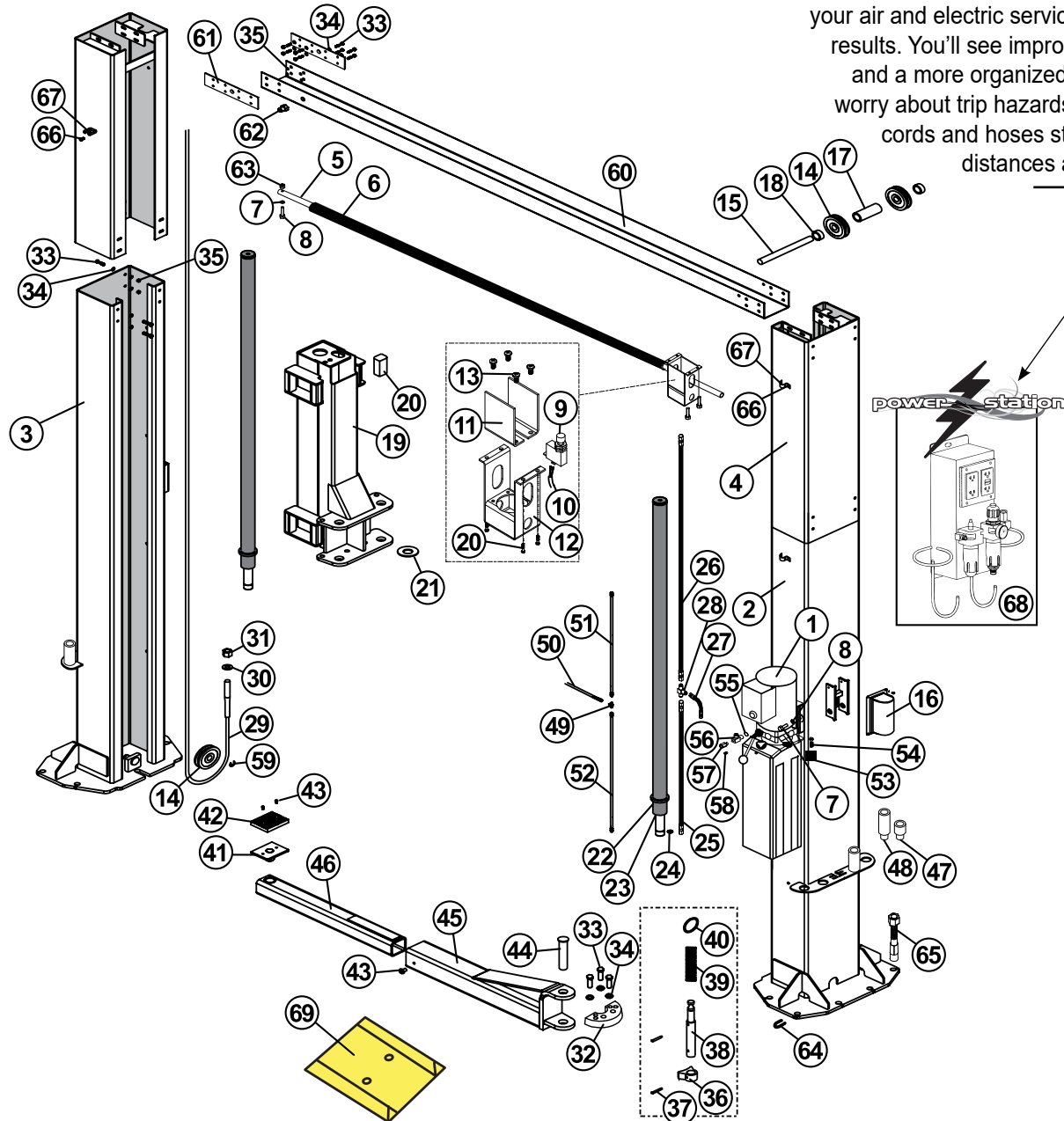
12,000 lb. Capacity 2-Post Asymmetric Clear Floor Lift

For Model TP12KC-DE—specify model when ordering

DIRECTFIT™
SVI's DIRECT FIT™ BRAND

POWER STATION™ AIR / ELECTRIC UTILITY BOX

Simply install the PowerStation™ on your surface-mount lift or nearby wall, bring in your air and electric service, and watch the results. You'll see improved performance and a more organized shop. No longer worry about trip hazards associated with cords and hoses stretched for great distances across your floor.



WIDEN YOUR RANGE!

With extra wide single and dual wheel spotter dishes exclusively from SVI. Our wheel spotters are stamped from heavy gauge steel then powder coated and shipped with installation hardware. Each spotter is a **full 15" wide** to provide safe spotting for both wide and narrow wheelbase vehicles.

BH-9701 • Single Wheel Spotter Dish 10-3/4" x 15"

BH-9702 • Dual Wheel Spotter Dish 20-1/8" x 15"

LRC7485 - 10.7.21

All names, numbers, symbols and descriptions are used for reference purposes only. It is not implied that any part listed is the product of these manufacturers. SVI does not represent and is not associated in any way with any other companies.

**SVI is the
#1 Source of
Power Units
and Parts**





For Model TP12KC-D

12,000 lb. Capacity 2-Post Asymmetric Clear Floor Lift

DIRECTFIT™
SVI's DIRECT FIT™ BRAND

For Model TP12KC-DE—specify model when ordering

Item SVI Part #	Cross Ref #	Cross Ref #	Description	Qty
1 BH-7006A-XX	PU-220V SPX IDEAL	AC-10AH-RV21	Power Unit	1
2 BH-7485-0568	TP12KC-D-053	SJ13-01000-000	Mainside Column	1
3 BH-7485-0569	TP12KC-D-001	SJ13-12000-000	Offside Column	1
4 BH-7485-0570	TP12KC-D-036	SJ13-09000-000	Column Extension	2
5 BH-7485-0293	TP12KC-D-021	SJ01-00011-000	Overhead Shut-Off Bar	1
6 BH-7485-0292	TP12KC-D-023	SJ01-00010-000	Cushion, Shutoff Bar	1
7 BH-7485-0352	TP12KC-D-019	5103-08040-000	Bolt, M8 x 40mm	1
8 BH-7485-0571	TP12KC-D-020	5302-00008-000	Washer, D8	9
9 BH-7485-0299	TP12KC-D-042	SJ01-00012-000	Limit Switch	1
10 BH-7485-0572	TP12KC-D-043	SJ13-00027-000	Limit Switch Wiring	1
11 BH-7485-0384	TP12KC-D-040	SJ01-00030-000	Cover Plate, Limit Switch	1
12 BH-7485-0573	TP12KC-D-041	SJ03-00020-000	Housing, Limit Switch	1
13 BH-7485-0350	TP12KC-D-039	5110-06012-000	Screw	20
14 BH-7485-0574	TP12KC-D-034	SJ13-05000-000	Cable Pulley	6
15 BH-7485-0575	TP12KC-D-035	SJ13-00015-000	Pulley Shaft	2
16 BH-7485-0553	TP12KC-D-049	SJ13-00007-000	Latch Cover	2
17 BH-7485-0576	TP12KC-D-033	SJ13-00004-000	Spacer #2	2
18 BH-7485-0577	TP12KC-D-032	SJ13-00003-000	Spacer #1	4
19 BH-7485-0578	TP12KC-DX-025	SJ13-02000-ETL	Carriage	2
20 BH-7485-0579	TP12KC-D-024	SJ13-00025-000	Sliding Rub Block	16
21 BH-7485-0580	TP12KC-D-078	SJ03-00032-000	Washer	4
22 BH-7485-0554	TP12KC-D-026	SJ13-03000-000	Hydraulic Cylinder	2
23 BH-7485-0555	TP12KC-D-026x		Seal Kit for Hydraulic Cylinder	2
24 BH-7485-0581	TP12KC-D-070	SJ13-00024-000	Cylinder Fitting	2
25 BH-7485-0582	TP12KC-D-047	SJ13-00019-000	Hydraulic Hose, 71"	1
26 BH-7485-0583	TP12KC-D-045	SJ13-00018-001	Hydraulic Hose, 33' 1"	1
27 BH-7485-0584	TP12KC-D-044	SJ13-00020-000	Hydraulic Hose, 8-1/4"	1
28 BH-7485-0306	TP12KC-D-046	SJ01-00016-000	Tee Fitting	1
29 BH-7485-0585	TP12KC-D-073	SJ13-00008-000	Equalizer Cable, 38' 1-1/2"	2
30 BH-7485-0326	TP12KC-D-072	5302-00016-000	Washer	4
31 BH-7485-0366	TP12KC-D-071	5202-00016-000	Nut	8
32 BH-7485-0321	TP12KC-D-064	SJ01-00025-000	Arm Restraint Main Gear	4
33 BH-7485-0586	TP12KC-D-027	5103-10040-000	Bolt	56
34 BH-7485-0587	TP12KC-D-028	5302-00010-000	Flat Washer	104
35 BH-7485-0588	TP12KC-D-029	5201-00010-000	Nut	48
36 BH-7485-0322	TP12KC-D-066	SJ01-00023-000	Arm Restraint Engage Gear 4	4
37 BH-7485-0319	TP12KC-D-065	5402-06038-000	Cotter Pin	8
38 BH-7485-0589	TP12KC-DX-003	SJ13-00017-ETL	Arm Restraint Plunger	4

Item SVI Part #	Cross Ref #	Cross Ref #	Description	Qty
39 BH-7485-0590	TP12KC-D-068	SJ13-00035-000	Arm Restraint Spring	4
40 BH-7485-0591	TP12KC-D-069	SJ03-00013-000	Pull Ring	4
41 BH-7485-0592	TP12KC-D-060	SJ13-06100-000	Lift Pad Adapter Base	4
42 BH-7101-00	TP12KC-D-059	SJ13-06002-000	Rubber Pad	4
43 BH-7485-0594	TP12KC-D-058	SJ13-00023-000	Elevator Bolt, M10 x 16mm	12
44 BH-7485-0595	TP12KC-D-063		Swing Arm Pin	4
45 BH-7485-0596	TP12KC-D-062	SJ13-04000-ETL	Swing Arm	4
46 BH-7485-0597	TP12KC-D-061	SJ13-08000-000	Arm Slider	4
47 BH-7485-0598	TP12KC-D-004	SJ13-00002-000	Nesting Height Extension 2.5"	4
48 BH-7485-0599	TP12KC-D-005	SJ13-00001-000	Nesting Height Extension 5"	4
49 BH-7485-0600	TP12KC-D-057	JP14-00016-000	Tee Fitting	1
50 BH-7485-0601	TP12KC-D-055	SJ13-00032-000	Air Line Tubing, D6 x 8"	1
51 BH-7485-0602	TP12KC-D-054	SJ13-00033-000	Air Line Tubing, D6 x 354"	1
52 BH-7485-0603	TP12KC-D-056	SJ13-00031-000	Air Line Tubing, D6 x 2"	1
53 BH-7485-0604	TP12KC-D-051	SJ13-00006-000	Palm Button Valve	1
54 BH-7485-0605	TP12KC-D-050	JP14-00014-000	Elbow Fitting	2
55 BH-7485-0367	TP12KC-D-074	5901-00118-000	O-Ring	1
56 BH-7485-0606	TP12KC-D-075	SJ03-14001-000	Tee Fitting	1
57 BH-7485-0607	TP12KC-D-076	SJ03-14002-000	Quick Fitting	1
58 BH-7485-0608	TP12KC-D-077	SJ03-14005-000	Close Nut	1
59 BH-7485-0545	TP12KC-D-006	5304-00025-000	Retaining Ring	4
60 BH-7485-0609	TP12KC-D-018	SJ13-00009-000	Overhead Crossbeam	1
61 BH-7485-0610	TP12KC-D-030	SJ13-00010-000	Connecting Plate	4
62 BH-7485-0611	TP12KC-D-031	SJ13-00021-000	Cable Nut, M16	1
63 BH-7485-0334	TP12KC-D-022	5206-00008-000	Lock Nut, M8	5
64 BH-7512-92	TP12KC-D-002	SJ01-12002-000	Shim Assortment 150 pieces (3 Sizes)	
65 BH-7075-05	TP12KC-DX-003	SJ01-12003-000	Anchor Bolt, 3/4" x 7"	12
66 BH-7485-0613	TP12KC-D-038		Screw	16
67 BH-7485-0612	TP12KC-D-037		Hose Clip	16
68 BH-7070-K			Power Station Air / Electric Utility Box	1
69 BH-9701			Single Wheel Spotter Dish 10-3/4" x 15" Wide	1
69 BH-9702			Dual Wheel Spotter Dish 20-1/8" x 15" Wide	1

Need repair parts or consumables for your Tire Changer?
SVI is your answer!



P
a
g
e

Don't see the part you need? Also see model breakdown of TP12KC-DX. Call SVI today!

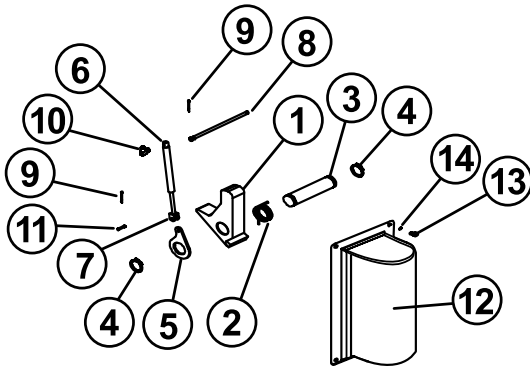


For Model TP12KC-D

12,000 lb. Capacity 2-Post Asymmetric Clear Floor Lift

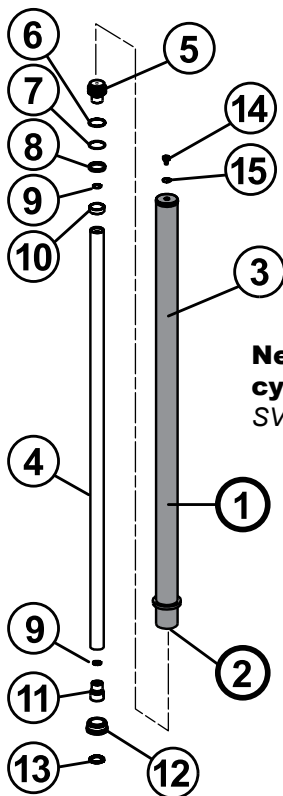
For Model TP12KC-DE—specify model when ordering

DIRECTFIT™
SVI's DIRECT FIT™ BRAND



Lock Release Detail For Model TP12KC-D

Item	SVI Part #	Cross Ref #	Cross Ref #	Description	Qty
1	BH-7485-0542	TP12KC-D-009	SJ13-07000-000	Safety Latch	2
2	BH-7485-0543	TP12KC-D-008	SJ13-00012-000	Spring	2
3	BH-7485-0544	TP12KC-D-007	SJ13-00011-000	Latch Shaft	2
4	BH-7485-0545	TP12KC-D-006	5304-00025-000	Retaining Ring	4
5	BH-7485-0546	TP12KC-D-010	SJ13-00013-000	Latch Shaft	2
6	BH-7485-0547	TP12KC-D-017	SJ13-00028-000	Air Cylinder	2
7	BH-7485-0548	TP12KC-D-016	SJ13-00029-000	Cylinder Connector	2
8	BH-7485-0549	TP12KC-D-015	SJ13-00026-000	Cylinder Pin	2
9	BH-7485-0550	TP12KC-D-014	SJ13-00030-000	Pin	6
10	BH-7485-0551	TP12KC-D-013	SJ13-00014-000	Elbow Fitting	2
11	BH-7485-0552	TP12KC-D-011	5403-05016-000	Pin	2
12	BH-7485-0553	TP12KC-D-049	SJ13-00007-000	Latch Cover	2
13	BH-7485-0350	TP12KC-D-039	5110-06012-000	Screw	20
14	BH-7485-0274	TP12KC-D-048	5301-00006-000	Flat Washer	12



Hydraulic Cylinder Detail For Model TP12KC-D

Item	SVI Part #	Cross Ref #	Cross Ref #	Description	Qty
1	BH-7485-0554	TP12KC-D-026	SJ13-03000-000	Hydraulic Cylinder	2
2	BH-7485-0555	TP12KC-D-026x		Seal Kit for Hydraulic Cylinder	2
3	BH-7485-0556	TP12KC-D-026.1	SJ13-03100-000	Cylinder Body	2
4	BH-7485-0557	TP12KC-D-026.6	BL40-01001-000	Piston Rod	2
5	BH-7485-0558	TP12KC-D-026.11	SJ13-03002-000	Piston	2
6	BH-7485-0559	TP12KC-D-026.10	5905-00355-000	Seal Ring	2
7	BH-7485-0415	TP12KC-D-026.9	5901-00447-000	O-Ring	2
8	BH-7485-0560	TP12KC-D-026.8	5904-00440-000	Guide Ring	2
9	BH-7485-0561	TP12KC-D-026.5	5901-00260-000	O-Ring	4
10	BH-7485-0562	TP12KC-D-026.7	SJ13-03001-000	Limit Ring	2
11	BH-7485-0563	TP12KC-D-026.4	BL40-01003-000	Cylinder Head	2
12	BH-7485-0564	TP12KC-D-026.3	BL40-01002-000	Guiding Ring	2
13	BH-7485-0565	TP12KC-D-026.2	5906-00380-000	Dust Ring	2
14	BH-7485-0566	TP12KC-D-026.12	51050-8010-000	Screw	2
15	BH-7485-0567	TP12KC-D-026.13	5308-00008-000	Copper Washer	2

Don't see the part you need? Also see model breakdown of TP12KC-DX. Call SVI today!

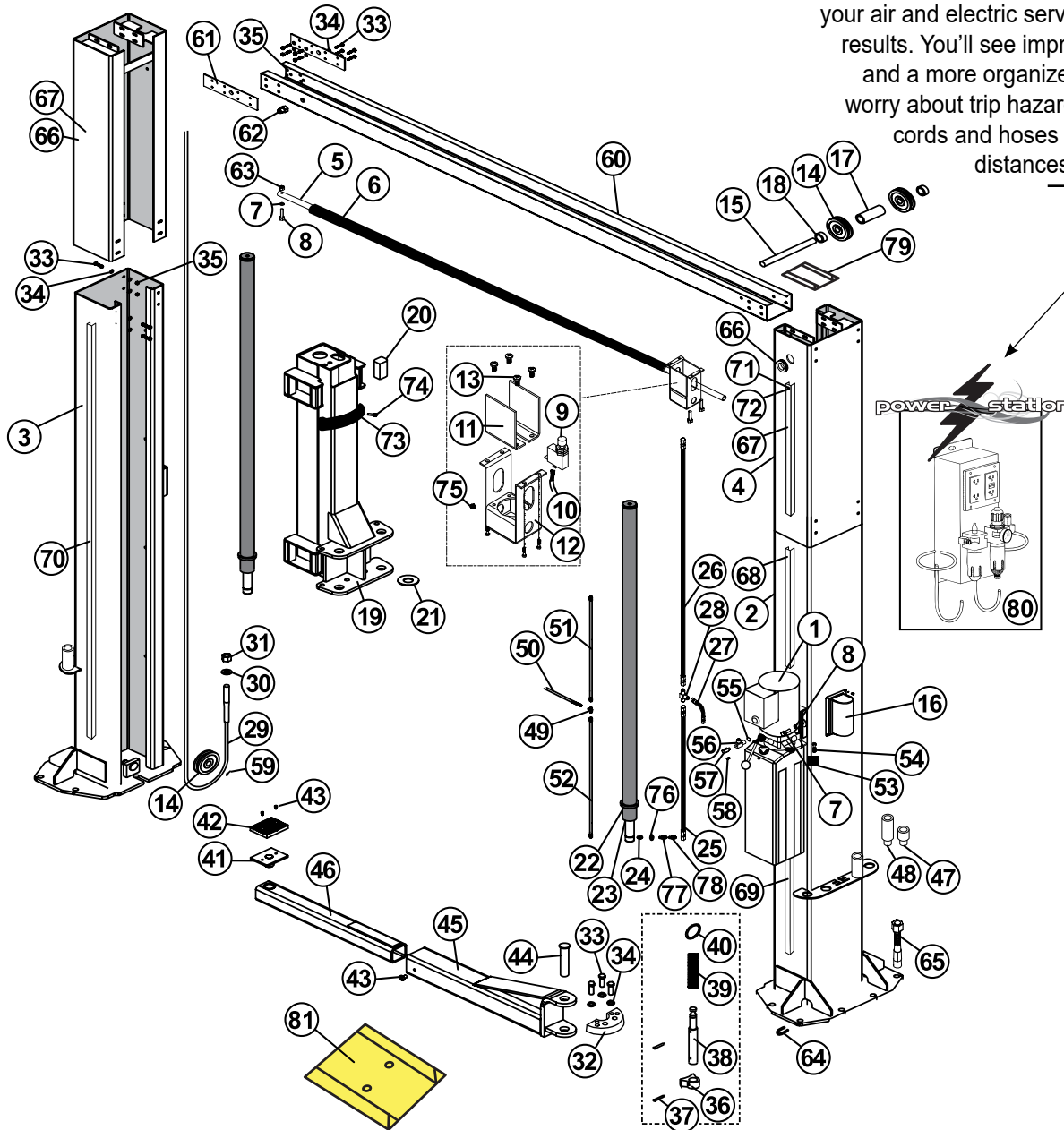
For Model TP12KC-DX

12,000 lb. Capacity 2-Post Asymmetric Clear Floor Lift

DIRECTFIT™
SVI's DIRECT FIT™ BRAND

POWER STATION™ AIR / ELECTRIC UTILITY BOX

Simply install the PowerStation™ on your surface-mount lift or nearby wall, bring in your air and electric service, and watch the results. You'll see improved performance and a more organized shop. No longer worry about trip hazards associated with cords and hoses stretched for great distances across your floor.



WIDEN YOUR RANGE!

With extra wide single and dual wheel spotter dishes exclusively from SVI. Our wheel spotters are stamped from heavy gauge steel then powder coated and shipped with installation hardware. Each spotter is a **full 15" wide** to provide safe spotting for both wide and narrow wheelbase vehicles.

BH-9701 • Single Wheel Spotter Dish 10-3/4" x 15"

BH-9702 • Dual Wheel Spotter Dish 20-1/8" x 15"

All names, numbers, symbols and descriptions are used for reference purposes only. It is not implied that any part listed is the product of these manufacturers. SVI does not represent and is not associated in any way with any other companies.

**SVI is the
#1 Source of
Power Units
and Parts**





For Model TP12KC-DX
12,000 lb. Capacity 2-Post Asymmetric Clear Floor Lift

DIRECTFIT™
SVI's DIRECT FIT™ BRAND

Item SVI Part #	Cross Ref #	Cross Ref #	Description	Qty
1 BH-7006A-XX	PU-220V SPX IDEAL	AC-10AH-RV21	Power Unit	1
2 BH-7485-0568	TP12KC-D-053	SJ13-01000-000	Mainside Column	1
3 BH-7485-0569	TP12KC-D-001	SJ13-12000-000	Offside Column	1
4 BH-7485-0570	TP12KC-D-036	SJ13-09000-000	Column Extension	2
5 BH-7485-0293	TP12KC-D-021	SJ01-00011-000	Overhead Shut-Off Bar	1
6 BH-7485-0292	TP12KC-D-023	SJ01-00010-000	Cushion, Shutoff Bar	1
7 BH-7485-0368	TP12KC-D-086	5103-08030-000	Bolt	4
8 BH-7485-0571	TP12KC-D-020	5302-00008-000	Washer, D8	9
9 BH-7485-0299	TP12KC-D-042	SJ01-00012-000	Limit Switch	1
10 BH-7485-0572	TP12KC-D-043	SJ13-00027-000	Limit Switch Wiring	1
11 BH-7485-0384	TP12KC-D-040	SJ01-00030-000	Cover Plate, Limit Switch	1
12 BH-7485-0573	TP12KC-D-041	SJ03-00020-000	Housing, Limit Switch	1
13 BH-7485-0350	TP12KC-D-039	5110-06012-000	Screw	20
14 BH-7485-0574	TP12KC-D-034	SJ13-05000-000	Cable Pulley	6
15 BH-7485-0575	TP12KC-D-035	SJ13-00015-000	Pulley Shaft	2
16 BH-7485-0553	TP12KC-D-049	SJ13-00007-000	Latch Cover	2
17 BH-7485-0576	TP12KC-D-033	SJ13-00004-000	Spacer #2	2
18 BH-7485-0577	TP12KC-D-032	SJ13-00003-000	Spacer #1	4
19 BH-7485-0578	TP12KC-DX-025	SJ13-02000-ETL	Carriage	2
20 BH-7485-0579	TP12KC-D-024	SJ13-00025-000	Slider Block	16
21 BH-7485-0580	TP12KC-D-078	SJ03-00032-000	Washer	4
22 BH-7485-0554	TP12KC-D-026	SJ13-03000-000	Hydraulic Cylinder	2
23 BH-7485-0555	TP12KC-D-026x		Seal Kit for Hydraulic Cylinder	2
24 BH-7485-0581	TP12KC-D-070	SJ13-00024-000	Cylinder Fitting	2
25 BH-7485-0582	TP12KC-D-047	SJ13-00019-000	Hydraulic Hose, 71"	1
26 BH-7485-0583	TP12KC-D-045	SJ13-00018-001	Hydraulic Hose, 33' 1"	1
27 BH-7485-0584	TP12KC-D-044	SJ13-00020-000	Hydraulic Hose, 8-1/4"	1
28 BH-7485-0306	TP12KC-D-046	SJ01-00016-000	Tee Fitting	1
29 BH-7485-0585	TP12KC-D-073	SJ13-00008-000	Equalizer Cable, 38' 1-1/2"	2
30 BH-7485-0326	TP12KC-D-072	5302-00016-000	Washer	4
31 BH-7485-0366	TP12KC-D-071	5202-00016-000	Nut	8
32 BH-7485-0321	TP12KC-D-064	SJ01-00025-000	Arm Restraint Main Gear	4
33 BH-7485-0586	TP12KC-D-027	5103-10040-000	Bolt	56
34 BH-7485-0587	TP12KC-D-028	5302-00010-000	Flat Washer	104
35 BH-7485-0588	TP12KC-D-029	5201-00010-000	Nut	48
36 BH-7485-0322	TP12KC-D-066	SJ01-00023-000	Arm Restraint Engage Gear	4
37 BH-7485-0319	TP12KC-D-065	5402-06038-000	Cotter Pin	8
38 BH-7485-0589	TP12KC-DX-003	SJ13-00017-ETL	Arm Restraint Plunger	4
39 BH-7485-0590	TP12KC-D-068	SJ13-00035-000	Arm Restraint Spring	4
40 BH-7485-0591	TP12KC-D-069	SJ03-00013-000	Pull Ring	4
41 BH-7485-0592	TP12KC-D-060	SJ13-06100-000	Lifting Pad	4
42 BH-7101-00	TP12KC-D-059	SJ13-06002-000	Rubber Pad	4
43 BH-7485-0594	TP12KC-D-058	SJ13-00023-000	Elevator Bolt, M10 x 16mm	12

Item SVI Part #	Cross Ref #	Cross Ref #	Description	Qty
44 BH-7485-0627	TP12KC-DX-063	SJ13-00016-ETL	Swing Arm Pin	4
45 BH-7485-0596	TP12KC-D-062	SJ13-04000-ETL	Swing Arm	4
46 BH-7485-0597	TP12KC-D-061	SJ13-08000-000	Arm Slider	4
47 BH-7485-0598	TP12KC-D-004	SJ13-00002-000	Nesting Height Extension 2.5" 4	
48 BH-7485-0599	TP12KC-D-005	SJ13-00001-000	Nesting Height Extension 5" 4	
49 BH-7485-0600	TP12KC-D-057	JP14-00016-000	Tee Fitting	1
50 BH-7485-0601	TP12KC-D-055	SJ13-00032-000	Air Line Tubing, D6 x 8"	1
51 BH-7485-0602	TP12KC-D-054	SJ13-00033-000	Air Line Tubing, D6 x 354"	1
52 BH-7485-0603	TP12KC-D-056	SJ13-00031-000	Air Line Tubing, D6 x 2"	1
53 BH-7485-0604	TP12KC-D-051	SJ13-00006-000	Palm Button Valve	1
54 BH-7485-0605	TP12KC-D-050	JP14-00014-000	Elbow Fitting	2
55 BH-7485-0367	TP12KC-D-074	5901-00118-000	O-Ring	1
56 BH-7485-0606	TP12KC-D-075	SJ03-14001-000	Tee Fitting	1
57 BH-7485-0607	TP12KC-D-076	SJ03-14002-000	Quick Fitting	1
58 BH-7485-0608	TP12KC-D-077	SJ03-14005-000	Close Nut	1
59 BH-7485-0370	TP12KC-D-084	SJ01-00033-000	Pin	2
60 BH-7485-0609	TP12KC-D-018	SJ13-00009-000	Overhead Crossbeam	1
61 BH-7485-0610	TP12KC-D-030	SJ13-00010-000	Connecting Plate	4
62 BH-7485-0611	TP12KC-D-031	SJ13-00021-000	Cable Nut, M16	1
63 BH-7485-0334	TP12KC-D-022	5206-00008-000	Lock Nut, M8	5
64 BH-7512-92	TP12KC-D-002	SJ01-12002-000	Shim Assortment 150 pieces (3 Sizes)	
65 BH-7075-05	TP12KC-DX-003	SJ01-12003-000	Anchor Bolt, 3/4" x 7"	12
66 BH-7485-0302	TP12KC-D-095	SJ01-00017-000	Rubber Grommet	4
67 BH-7485-0626	TP12KC-D-094	SJ13-00057-000	Hose Cover, Upper MS	2
68 BH-7485-0621	TP12KC-D-089	SJ13-00054-000	Hose Cover, Middle MS	1
69 BH-7485-0622	TP12KC-D-090	SJ13-00055-000	Hose Cover, Lower MS	1
70 BH-7485-0623	TP12KC-D-091	SJ13-00056-000	Hose Cover, OS	1
71 BH-7485-0620	TP12KC-D-088	5302-00004-000	Flat Washer	12
72 BH-7485-0619	TP12KC-D-087	5110-04040-000	Screw	12
73 BH-7485-0625	TP12KC-D-093	EG01-00013-000	Rubber Door Guard	2
74 BH-7485-0624	TP12KC-D-092	5105-08040-000	Screw, M8 x 40mm	4
75 BH-7485-0618	TP12KC-D-085	SJ13-00034-000	Cable Nut	1
76 BH-7485-0411	TP12KC-D-081	5308-00146-000	Washer	2
77 BH-7485-0616	TP12KC-D-082	SJ13-00038-000	Throttle Valve	2
78 BH-7485-0617	TP12KC-D-083	SJ13-00037-000	Connector Fitting	2
79 BH-7485-0615	TP12KC-D-080	SJ13-00036-000	Cover	2
80 BH-7070-K			Power Station Air / Electric Utility Box	1
81 BH-9701			Single Wheel Spotter Dish 10-3/4" x 15" Wide	1
81 BH-9702			Dual Wheel Spotter Dish 20-1/8" x 15" Wide	1

Need repair parts or consumables for your Tire Changer?
SVI is your answer!

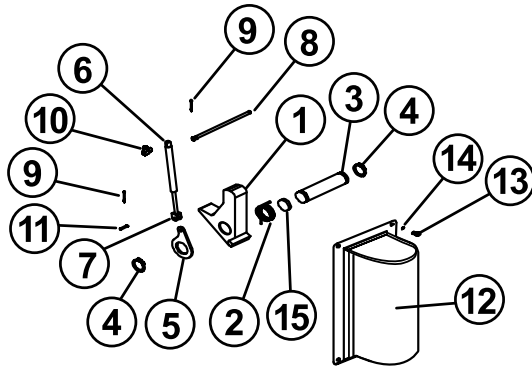




For Model TP12KC-DX

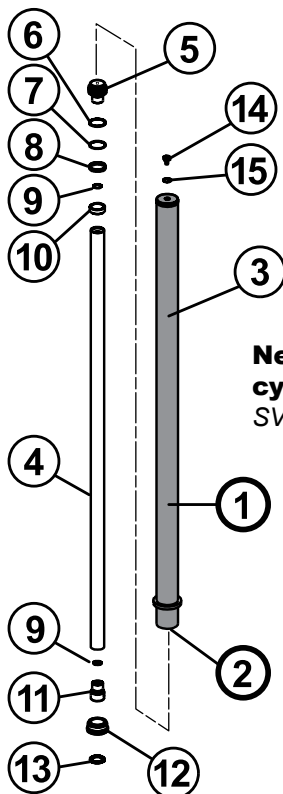
12,000 lb. Capacity 2-Post Asymmetric Clear Floor Lift

DIRECTFIT™
SVI's DIRECT FIT™ BRAND



Lock Release Detail For Model TP12KC-DX

Item	SVI Part #	Cross Ref #	Cross Ref #	Description	Qty
1	BH-7485-0542	TP12KC-D-009	SJ13-07000-000	Safety Latch	2
2	BH-7485-0543	TP12KC-D-008	SJ13-00012-000	Spring	2
3	BH-7485-0544	TP12KC-D-007	SJ13-00011-000	Latch Shaft	2
4	BH-7485-0545	TP12KC-D-006	5304-00025-000	Retaining Ring	4
5	BH-7485-0546	TP12KC-D-010	SJ13-00013-000	Latch Shaft	2
6	BH-7485-0547	TP12KC-D-017	SJ13-00028-000	Air Cylinder	2
7	BH-7485-0548	TP12KC-D-016	SJ13-00029-000	Cylinder Connector	2
8	BH-7485-0549	TP12KC-D-015	SJ13-00026-000	Cylinder Pin	2
9	BH-7485-0550	TP12KC-D-014	SJ13-00030-000	Pin	6
10	BH-7485-0551	TP12KC-D-013	SJ13-00014-000	Elbow Fitting	2
11	BH-7485-0552	TP12KC-D-011	5403-05016-000	Pin	2
12	BH-7485-0553	TP12KC-D-049	SJ13-00007-000	Latch Cover	2
13	BH-7485-0350	TP12KC-D-039	5110-06012-000	Screw	20
14	BH-7485-0274	TP12KC-D-048	5301-00006-000	Flat Washer	12
15	BH-7485-0614	TP12KC-D-079	SJ13-00022-000	Spacer	2



Need a hydraulic cylinder seal kit?
SVI is your answer!

Hydraulic Cylinder Detail For Model TP12KC-DX

Item	SVI Part #	Cross Ref #	Cross Ref #	Description	Qty
1	BH-7485-0554	TP12KC-D-026	SJ13-03000-000	Hydraulic Cylinder	2
2	BH-7485-0555	TP12KC-D-026x		Seal Kit for Hydraulic Cylinder	2
3	BH-7485-0556	TP12KC-D-026.1	SJ13-03100-000	Cylinder Body	2
4	BH-7485-0557	TP12KC-D-026.6	BL40-01001-000	Piston Rod	2
5	BH-7485-0558	TP12KC-D-026.11	SJ13-03002-000	Piston	2
6	BH-7485-0559	TP12KC-D-026.10	5905-00355-000	Seal Ring	2
7	BH-7485-0415	TP12KC-D-026.9	5901-00447-000	O-Ring	2
8	BH-7485-0560	TP12KC-D-026.8	5904-00440-000	Guide Ring	2
9	BH-7485-0561	TP12KC-D-026.5	5901-00260-000	O-Ring	4
10	BH-7485-0562	TP12KC-D-026.7	SJ13-03001-000	Limit Ring	2
11	BH-7485-0563	TP12KC-D-026.4	BL40-01003-000	Cylinder Head	2
12	BH-7485-0564	TP12KC-D-026.3	BL40-01002-000	Guiding Ring	2
13	BH-7485-0565	TP12KC-D-026.2	5906-00380-000	Dust Ring	2
14	BH-7485-0566	TP12KC-D-026.12	51050-8010-000	Screw	2
15	BH-7485-0567	TP12KC-D-026.13	5308-00008-000	Copper Washer	2

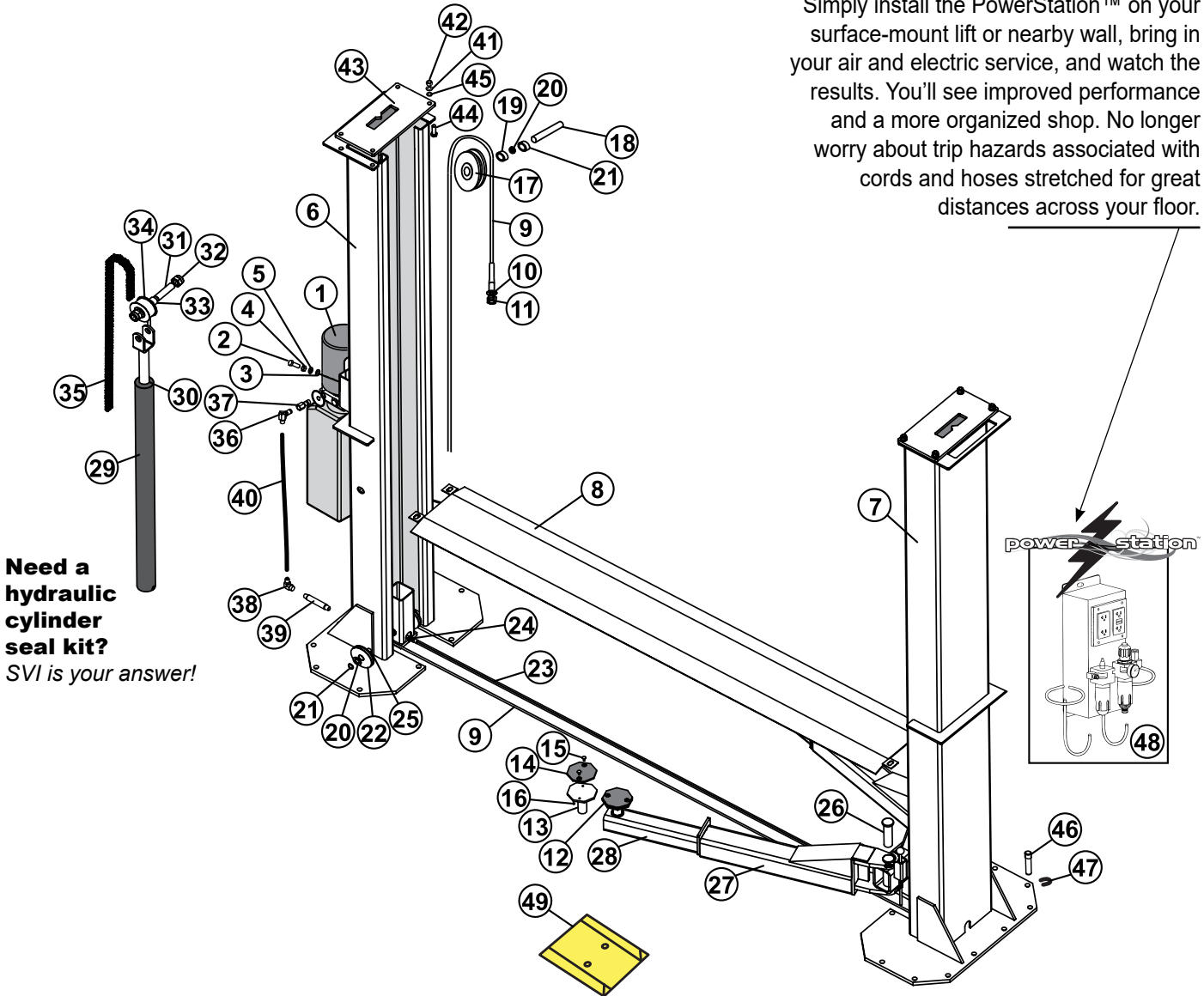


For Model TP12KF

12,000 lb. Capacity 2-Post Floor Plate Lift

DIRECTFIT™
SVI's DIRECT FIT™ BRAND

POWER STATION™
AIR / ELECTRIC UTILITY BOX
Simply install the PowerStation™ on your surface-mount lift or nearby wall, bring in your air and electric service, and watch the results. You'll see improved performance and a more organized shop. No longer worry about trip hazards associated with cords and hoses stretched for great distances across your floor.



Need a hydraulic cylinder seal kit?
SVI is your answer!

WIDEN YOUR RANGE!

With extra wide single and dual wheel spotter dishes exclusively from SVI. Our wheel spotters are stamped from heavy gauge steel then powder coated and shipped with installation hardware. Each spotter is a **full 15" wide** to provide safe spotting for both wide and narrow wheelbase vehicles.

BH-9701 • Single Wheel Spotter Dish 10-3/4" x 15"

BH-9702 • Dual Wheel Spotter Dish 20-1/8" x 15"

Need repair parts or consumables for your Tire Changer?
SVI is your answer!





For Model TP12KF
12,000 lb. Capacity 2-Post Floor Plate Lift

DIRECTFIT™
SVI's DIRECT FIT™ BRAND

Item	SVI Part #	Cross Ref #	Description	Qty
1	BH-7006A-XX	TP12KF-045	Power Unit	1
2	BH-7485-0628	TP12KF-046	Bolt	4
3	BH-7485-0629	TP12KF-049	Nut	4
4	BH-7485-0630	TP12KF-048	Elastic Washer	4
5	BH-7485-0631	TP12KF-047	Bushing	4
6	BH-7485-0632	TP12KF-002	Main Side Column	1
7	BH-7485-0633	TP12KF-001	Offside Column	1
8	BH-7485-0634	TP12KF-066	Protective Floor Plate	1
9	BH-7485-0635	TP12KF-050	Cable Assembly 30' 11"	2
10	BH-7485-0636	TP12KF-042	Bushing	8
11	BH-7485-0637	TP12KF-067	Nylock Hex Nut	8
12	BH-7485-0638	TP12KF-020x	Lift Adapter and Pad Assembly	4
13	BH-7485-0639	TP12KF-020	Adapter Base Only	4
14	BH-7270-048	TP12KF-021	Rubber Arm Pad	4
15	BH-7485-0640	TP12KF-022	Elevator Bolt	8
16	BH-7485-0641	TP12KF-023	Hex Nut	8
17	BH-7485-0642	TP12KF-007	Sheave	2
18	BH-7485-0643	TP12KF-003	Sheave Pin	6
19	BH-7485-0644	TP12KF-008	Oilless Bushing	2
20	BH-7485-0645	TP12KF-010	Shaft Washer	6
21	BH-7485-0646	TP12KF-009	Bushing	6
22	BH-7485-0647	TP12KF-004	Sheave	4
23	BH-7485-0648	TP12KF-054	Hydraulic Hose	1
24	BH-7485-0649	TP12KF-053	Hydraulic Fitting	2
25	BH-7485-0650	TP12KF-005	Oilless Bushing	4
26	BH-7485-0651	TP12KF-019	Swing Arm Pin	4
27	BH-7485-0652	TP12KF-015	Outer Swing Arm	4
28	BH-7485-0653	TP12KF-016	Inner Arm	4
29	BH-7485-0654	TP12KF-056	Hydraulic Cylinder	2
30	BH-7485-0655	TP12KF-056x	Hydraulic Cylinder Seal Kit	2

Item	SVI Part #	Cross Ref #	Description	Qty
31	BH-7485-0656	TP12KF-064	Chain Roller Pin	2
32	BH-7485-0657	TP12KF-065	Nylock Hex Nut	4
33	BH-7485-0658	TP12KF-063	Oilless Bushing	2
34	BH-7485-0659	TP12KF-062	Chain Roller	2
35	BH-7485-0660	TP12KF-055	Chain (See SVI Chain Book)	2
36	BH-7485-0661	TP12KF-051	Hydraulic Fitting	1
37	BH-7485-0662	TP12KF-052	Hydraulic Pump Fitting	1
38	BH-7485-0663	TP12KF-060	Elbow Fitting	1
39	BH-7485-0664	TP12KF-059	Pipe Fitting	1
40	BH-7485-0665	TP12KF-061	Hydraulic Hose	1
41	BH-7485-0666	TP12KF-013	Elastic Washer	8
42	BH-7485-0667	TP12KF-014	Nut	8
43	BH-7485-0668	TP12KF-006	Top Column Cover	2
44	BH-7485-0669	TP12KF-011	Bolt	8
45	BH-7485-0670	TP12KF-012	Flat Washer	8
46	BH-7075-03	TP12KF-068	Wedge Anchor Bolt (3/4" x 5-1/2")	16
47	BH-7512-92		Shim Assortment 150 Pieces (3 Sizes)	
48	BH-7070-K		Power Station Air / Electric Utility Box	1
49	BH-9701		Single Wheel Spotter Dish 10-3/4" x 15" Wide	1
49	BH-9702		Dual Wheel Spotter Dish 20-1/8" x 15" Wide	1
--	NOT SHOWN:			
--	BH-7485-0671	TP12KF-017	Cover Board	4
--	BH-7485-0674	TP12KF-025	Board for Isolation	8
--	BH-7485-0675	TP12KF-026	Ring	2
--	BH-7485-0676	TP12KF-027	Shaft Bushing	4
--	BH-7485-0693	TP12KF-057	Throttle	2
--	BH-7485-0694	TP12KF-058	Spring	2

Auto Lift Cables and Chain Sheaves / Pulleys / Chain Rollers

TURF AND UTILITY TRAYS

FOR 2-POST LIFTS
SYMMETRIC / ASYMMETRIC

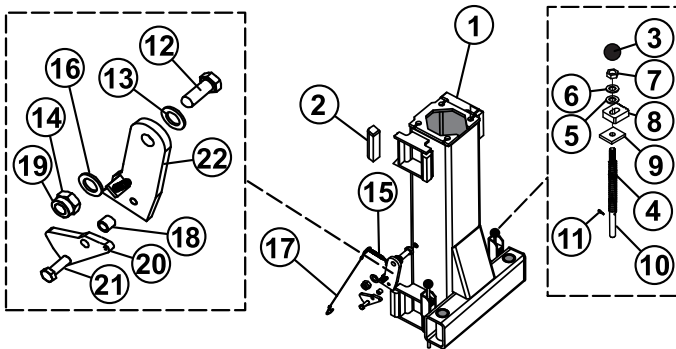
The #1 Choice for Symmetric or Asymmetric 2-Post Surface Mount Lifts and In-Ground Side-By-Side, too!

Various Styles Available! Contact SVI today!



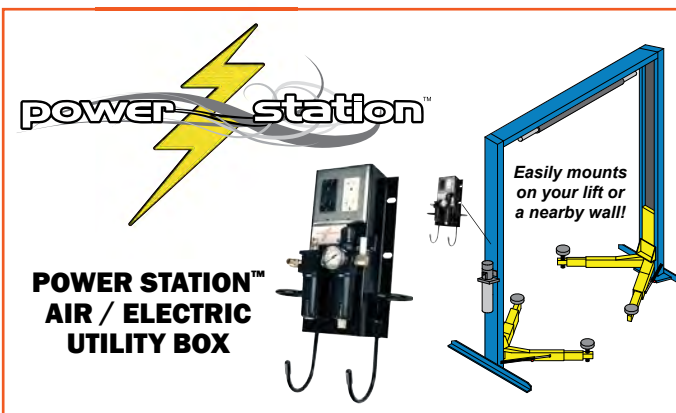
For Model TP12KF
12,000 lb. Capacity 2-Post Floor Plate Lift

DIRECTFIT™
SVI's DIRECT FIT™ BRAND



Carriage, Arm Restraints and Lock Parts Detail For Model TP12KF

Item	SVI Part #	Cross Ref #	Description	Qty
1	BH-7485-0677	TP12KF-028	Carriage	2
2	BH-7485-0672	TP12KF-018	Slider Block	8
3	BH-7485-0680	TP12KF-031	Plastic Ball Handle	4
4	BH-7485-0696		Arm Restraint Spring	4
5	BH-7485-0681	TP12KF-032	Flat Washer	4
6	BH-7485-0682	TP12KF-033	Spring Washer	4
7	BH-7485-0683	TP12KF-034	Nut	4
8	BH-7485-0673	TP12KF-024	Arm Restraint Engage Gear	4
9	BH-7485-0695		Arm Restraint Plate	4
10	BH-7485-0678	TP12KF-029	Arm Restraint Rod	4
11	BH-7485-0679	TP12KF-030	Pin	4
12	BH-7485-0692	TP12KF-044	Bolt	2
13	BH-7485-0636	TP12KF-042	Bushing	8
14	BH-7485-0691	TP12KF-043	Self-Lock Nut	2
15	BH-7485-0690	TP12KF-041	Pullback Spring	2
16	BH-7485-0631	TP12KF-047	Bushing	4
17	BH-7485-0688	TP12KF-039	Pull Rope	2
18	BH-7485-0689	TP12KF-040	Bushing	4
19	BH-7485-0687	TP12KF-038	Cover	2
20	BH-7485-0685	TP12KF-036	Latch Release Pivot	2
21	BH-7485-0686	TP12KF-037	Bolt	2
22	BH-7485-0684	TP12KF-035	Safety Latch Weldment	2



Insist on SVI Direct Fit™ brand Products!

Whether it's standard or custom, SVI is your answer.

Don't see what you need?

Contact SVI today!

800-321-8173

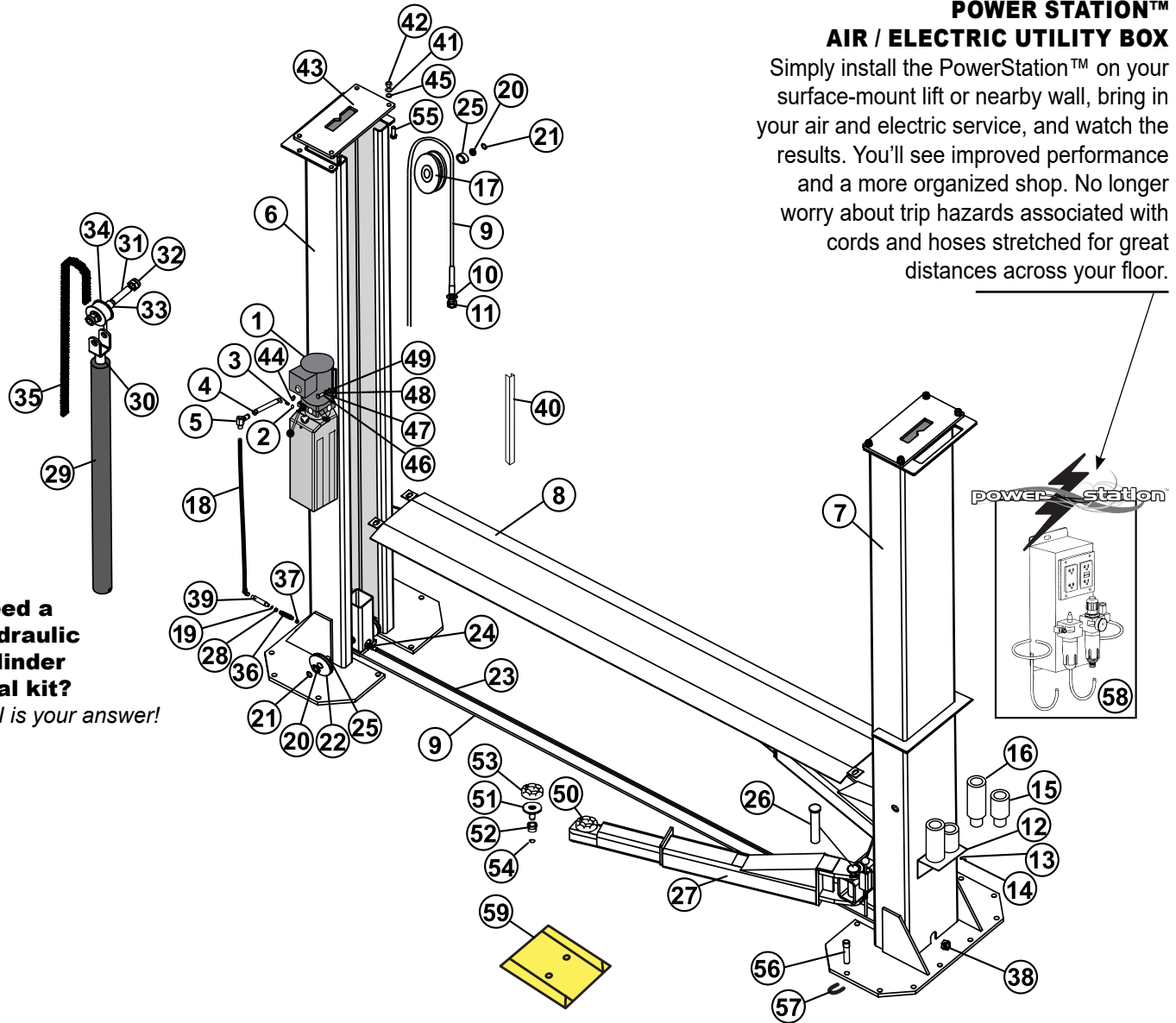
parts@sviintl.com



For Model TP12KFX

12,000 lb. Capacity 2-Post Floor Plate Lift

DIRECTFIT™
SVI's DIRECT FIT™ BRAND



**POWER STATION™
AIR / ELECTRIC UTILITY BOX**

Simply install the PowerStation™ on your surface-mount lift or nearby wall, bring in your air and electric service, and watch the results. You'll see improved performance and a more organized shop. No longer worry about trip hazards associated with cords and hoses stretched for great distances across your floor.

Need a hydraulic cylinder seal kit?
SVI is your answer!

WIDEN YOUR RANGE!

With extra wide single and dual wheel spotter dishes exclusively from SVI. Our wheel spotters are stamped from heavy gauge steel then powder coated and shipped with installation hardware. Each spotter is a **full 15" wide** to provide safe spotting for both wide and narrow wheelbase vehicles.

- BH-9701** • Single Wheel Spotter Dish 10-3/4" x 15"
- BH-9702** • Dual Wheel Spotter Dish 20-1/8" x 15"

Need repair parts or consumables for your Tire Changer?
SVI is your answer!





For Model TP12KFX

12,000 lb. Capacity 2-Post Floor Plate Lift

DIRECTFIT™
SVI's DIRECT FIT™ BRAND

Item SVI Part #	Cross Ref #	Cross Ref #	Description	Qty
1 BH-7006A-XX	TP12KF-X-050	PU-220V-L-H-X	Power Unit 220V	1
2 BH-7485-0697	TP12KF-X-057	D14	O-Ring	1
3 BH-7485-0226	TP12KF-X-058	TT-6934-500-04KY	Hydraulic Fitting	1
4 BH-7485-0698	TP12KF-X-059	TT-6961KY-500-01	MS, Short, Hydraulic Hose 13.4"	1
5 BH-7485-0699	TP12KF-X-060	TT-6934-500-03	90° Elbow Hydraulic Fitting	1
6 BH-7485-0700	TP12KF-X-001	TT-6961KY-101-01-00A	Main Side Column	1
7 BH-7485-0701	TP12KF-X-002	TT-6961KY-101-01-00B	Offside Column	1
8 BH-7485-0702	TP12KF-X-003	TPO15-600-01-00	Floor Plate	1
9 BH-7485-0703	TP12KF-X-046	TPO15-505-01	Cable Assembly 371.2"	2
10 BH-7485-0704	TP12KF-X-047	GB95-85	Washer	4
11 BH-7485-0705	TP12KF-X-048	GB889.1 M20	Nylock Hex Nut	4
12 BH-7485-0706	TP12KF-X-041	TT-6961KY-103-01	Adapter Bracket for 12/15KX2	1
13 BH-7485-0230	TP12KF-X-039	GB95-1985 D8	Flat Washer D8	4
14 BH-7485-0155	TP12KF-X-040	GB818-85 M8X10	Screw	4
15 BH-7485-0707	TP12KF-X-043	TT-6961KY-300-03-00	3" Height Extension	4
16 BH-7485-0708	TP12KF-X-042	TT-6961KY-300-02-00	5" Height Extension	4
17 BH-7485-0709	TP12KF-X-038	TPO15-102-02	Cable Pulley - Upper	2
18 BH-7485-0710	TP12KF-X-061	TT-6961KY-500-02	MS, Low Hydraulic Hose 63.2"	1
19 BH-7485-0711	TP12KF-X-063		Combined Bushing	6
20 BH-7485-0712	TP12KF-X-030	GB_95-85 D24	Flat Washer	6
21 BH-7485-0713	TP12KF-X-029	GB_894.1-2000 D25	Retaining Ring	6
22 BH-7485-0714	TP12KF-X-031	TPO15-101-02	Cable Pulley - Lower	4
23 BH-7485-0715	TP12KF-X-068	TT-6961KY-500-03	Lower, Hydraulic Hose 120.9"	1
24 BH-7485-0716	TP12KF-X-067	TT-6934-500-04	Hydraulic Fitting	2
25 BH-7485-0717	TP12KF-X-032	SF-1 2519	Bushing	6
26 BH-7485-0718	TP12KF-X-010	TPO15-300-02	Swing Arm Pin 12/15KX	4
27 BH-7485-0719	TP12KF-X-004	TT-6961KY-300-01-00	Symmetric Swing Arm	4
28 BH-7485-0235	TP12KF-X-064	TT-6934-500-06	Throttle Valve	2
29 BH-7485-0720	TP12KF-X-051	TPO15-NEW	Cylinder	2
30 BH-7485-0721	TP12KF-X-051x		Hydraulic Cylinder Seal Kit	1
31 BH-7485-0722	TP12KF-X-070	TPO15-501-06	Pin	2

Item SVI Part #	Cross Ref #	Cross Ref #	Description	Qty
32 BH-7485-0723	TP12KF-X-069	GB889.1 M30	Lock Nut M30	4
33 BH-7485-0724	TP12KF-X-071		Bushing	4
34 BH-7485-0725	TP12KF-X-072	TPO15-501-05	Chain Roller	2
35 BH-7485-0726	TP12KF-X-052		Chain	2
36 BH-7485-0727	TP12KF-X-065	TT-6444-03	Valve Spring	2
37 BH-7485-0233	TP12KF-X-066	TT-6934-500-07	Valve Insert	2
38 BH-7485-0237	TP12KF-X-073	JB/ZQ4770	Cap Plug	2
39 BH-7485-0728	TP12KF-X-062	TT-6934-500-02KY	Hex Pipe Fitting	2
40 BH-7485-0193	TP15KC-KX-066	TT-6835-100-02NEW	Hose Cover	3
41 BH-7485-0729	TP12KF-X-035	GB_93-87 D16	Lock Washer	8
42 BH-7485-0730	TP12KF-X-036	GB_6170-86 M16-N	Nut	8
43 BH-7485-0731	TP12KF-X-037	TPO15-102-01-00	Top Plate 12KX	2
44 BH-7485-0732	TP12KF-X-049	TT-6835-100-03	Rubber Grommet	1
45 BH-7485-0733	TP12KF-X-034	GB95-85 D16	Flat Washer	8
46 BH-7485-0734	TP12KF-X-053	GB5781-86 M8X25	Bolt	4
47 BH-7485-0735	TP12KF-X-054	GB95-85 D8	Flat Washer	4
48 BH-7485-0736	TP12KF-X-055	GB_93-87 D8	Lock Washer	4
49 BH-7485-0737	TP12KF-X-056	GB_6170-86 M8	Nut	4
50 BH-7485-0738			Lift Adapter with Pad	4
51 BH-7485-0739	TP12KF-X-008	TT-6961KY-048417190L	Adapter Base Only	4
52 BH-7485-0740	TP12KF-X-007	TT-6961KY-048417160	Adapter Nut / Collar	4
53 BH-7485-0741	TP12KF-X-009	TT-6934-046405772	Rubber Arm Pad	4
54 BH-7485-0742	TP12KF-X-006	GB895.2-1986 D35	Retaining Ring	4
55 BH-7485-0743	TP12KF-X-033	GB_5783-86 M16X55	Bolt	8
56 BH-7075-03	TP12KF-X-044		Wedge Anchor Bolt (3/4" x 5-1/2")	20
57 BH-7512-92			Shim Assortment 150 Pieces (3 Sizes)	
58 BH-7070-K			Power Station Air / Electric Utility Box	1
59 BH-9701			Single Wheel Spotter Dish 10-3/4" x 15" Wide	1
59 BH-9702			Dual Wheel Spotter Dish 20-1/8" x 15" Wide	1

P
a
g
e

50

Auto Lift Cables and Chain Sheaves / Pulleys / Chain Rollers



TURF AND UTILITY TRAYS

FOR 2-POST LIFTS
SYMMETRIC / ASYMMETRIC

The #1 Choice for Symmetric or Asymmetric 2-Post Surface Mount Lifts and In-Ground Side-By-Side, too!

Various Styles Available!
Contact SVI today!

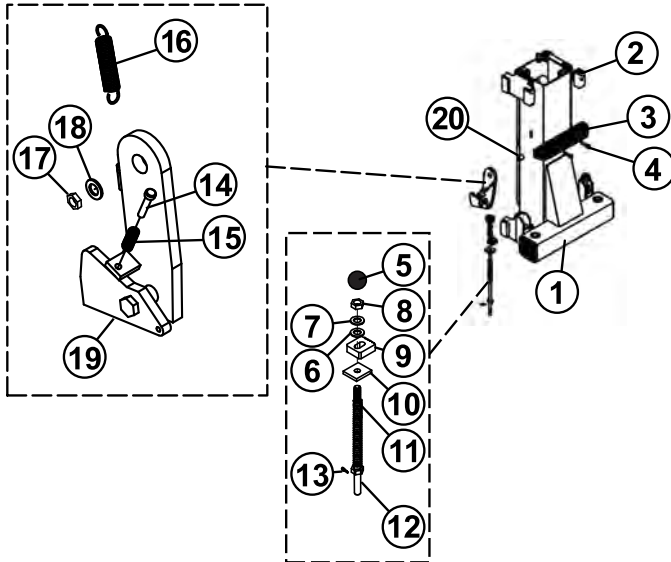




For Model TP12KFX
12,000 lb. Capacity 2-Post Floor Plate Lift

DIRECTFIT™
SVI's DIRECT FIT™ BRAND

Carriage, Arm Restraints and Lock Parts Detail For Model TP12KFX



Item	SVI Part #	Cross Ref #	Cross Ref #	Description	Qty
1	BH-7485-0744	TP12KF-X-005	TT-6961KY-200-01-00	Carriage 12/15KX	4
2	BH-7485-0745	TP12KF-X-013	TPO15-200-04	Slider Block	16
3	BH-7485-0171	TP12KF-X-012	DL38G-C116A	Rubber Door Guard	2
4	BH-7485-0170	TP12KF-X-011	GB70.1-2000 M8X35	Screw	4
5	BH-7485-0746	TP12KF-X-014		Arm Restraint Ball Knob	4
6	BH-7485-0747	TP12KF-X-015	GB_95-85 D10	Flat Washer	4
7	BH-7485-0748	TP12KF-X-016	GB93-1987 D10	Lock Washer	4
8	BH-7485-0749	TP12KF-X-017	GB_6170-86 M10-N	Nut	4
9	BH-7485-0750	TP12KF-X-018	TPO15-200-03-01	Arm Restraint Gear Bar	4
10	BH-7485-0751	TP12KF-X-019	TPF4A-200-11-05	Arm Restraint Plate	4
11	BH-7485-0752	TP12KF-X-020	TPO15-200-03-03	Arm Restraint Spring	4
12	BH-7485-0753	TP12KF-X-021	TPO15-200-03-04	Arm Restraint Rod	4
13	BH-7485-0754	TP12KF-X-022	GB91 2.5X45	Cotter Pin	4
14	BH-7485-0186	TP12KF-X-027	GB818-2000 M6X30	Screw M6x30	2
15	BH-7485-0187	TP12KF-X-028	TPF4-300-09	Spring	2
16	BH-7485-0755	TP12KF-X-026	TPO15-400-01	Spring	2
17	F-NL-0750-16	TP12KF-X-025	37727	Nylock Hex Nut 3/4-16	2
18	BH-7485-0756	TP12KF-X-024	GB95-85 D20	Flat Washer	3
19	BH-7485-0184	TP12KF-X-023	TPF4-300-00	Lock Latch	2
20	BH-7485-0757	TP12KF-X-025.1	3/4-16, L=45	Bolt	2

power station™

POWER STATION™
AIR / ELECTRIC
UTILITY BOX

Easily mounts on your lift or a nearby wall!



Insist on SVI Direct Fit™ brand Products!

Whether it's standard or custom, SVI is your answer.

Don't see what you need?

Contact SVI today!

800-321-8173

parts@sviintl.com

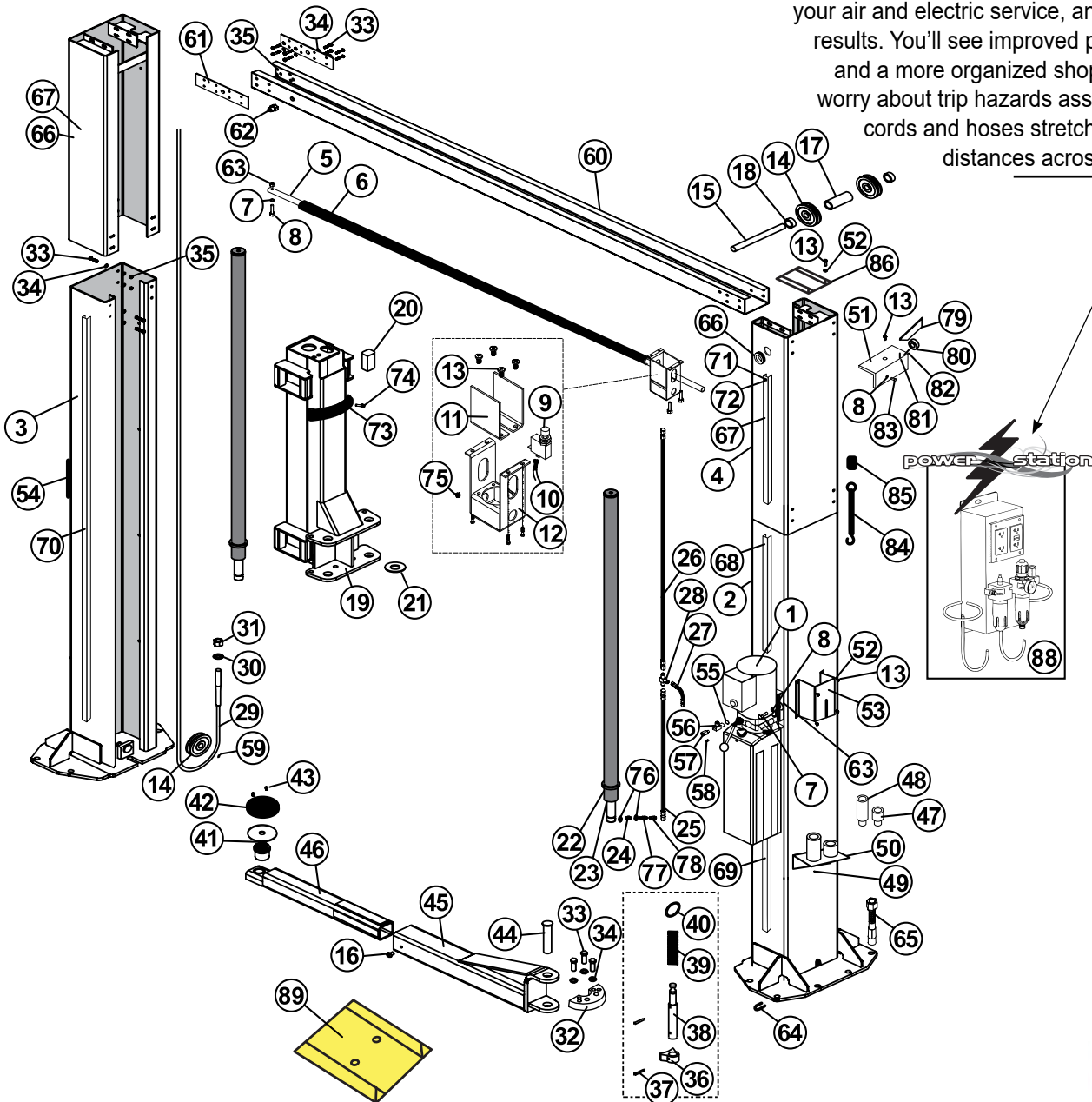
For Model TP12KSC-DX

12,000 lb. Capacity 2-Post Asymmetric Clear Floor Lift

DIRECTFIT™
SVI's DIRECT FIT™ BRAND

NOTE: This model may be labeled by Tuxedo, iDEAL, and others.

POWER STATION™
AIR / ELECTRIC UTILITY BOX
Simply install the PowerStation™ on your surface-mount lift or nearby wall, bring in your air and electric service, and watch the results. You'll see improved performance and a more organized shop. No longer worry about trip hazards associated with cords and hoses stretched for great distances across your floor.



WIDEN YOUR RANGE!

With extra wide single and dual wheel spotter dishes exclusively from SVI. Our wheel spotters are stamped from heavy gauge steel then powder coated and shipped with installation hardware. Each spotter is a **full 15" wide** to provide safe spotting for both wide and narrow wheelbase vehicles.

BH-9701 • Single Wheel Spotter Dish 10-3/4" x 15"

BH-9702 • Dual Wheel Spotter Dish 20-1/8" x 15"

LRC7485 - 10.7.21

All names, numbers, symbols and descriptions are used for reference purposes only. It is not implied that any part listed is the product of these manufacturers. SVI does not represent and is not associated in any way with any other companies.

**SVI is the
#1 Source of
Power Units
and Parts**





For Model TP12KSC-DX

12,000 lb. Capacity 2-Post Asymmetric Clear Floor Lift

DIRECTFIT™
SVI's DIRECT FIT™ BRAND

NOTE: This model may be labeled by Tuxedo, iDEAL, and others.

Item SVI Part #	Cross Ref #	Cross Ref #	Description	Qty
1	BH-7006A-XX	PU-AC-220V-3.5-3050	MBZ01S-00 Power Unit	1
2	BH-7485-0843	TP12KSC-DX-053.1	SJ13-01000-A00 Mainside Column	1
3	BH-7485-0849	TP12KSC-DX-001.1	SJ13-12000-A00 Offside Column	1
4	BH-7485-0848	TP12KSC-DX-036.1	SJ13-09000-A00 Column Extension	2
5	BH-7485-0293	TP12KSC-DX-021	SJ01-00011-000 Overhead Shut-Off Bar	1
6	BH-7485-0292	TP12KSC-DX-023	SJ01-00010-000 Cushion, Shutoff Bar	1
7	BH-7485-0352	TP12KSC-DX-019	5103-08040-000 Bolt, M8 x 40mm	1
8	BH-7485-0571	TP12KSC-DX-020	5302-00008-000 Washer, D8	13
9	BH-7485-0349	TP12KSC-DX-042	SJ01-00012-ETL Limit Switch	1
10	BH-7485-0572	TP12KSC-DX-043	SJ13-00027-000 Limit Switch Wiring	1
11	BH-7485-0384	TP12KSC-DX-040	SJ01-00030-000 Cover Plate, Limit Switch	1
12	BH-7485-0833	TP12KSC-DX-041	SJ03-00028-000 Housing, Limit Switch	1
13	BH-7485-0350	TP12KSC-DX-039	5110-06012-000 Screw, M6 x 12mm	26
14	BH-7485-0574	TP12KSC-DX-034	SJ13-05000-000 Cable Sheave / Pulley	6
15	BH-7485-0575	TP12KSC-DX-035	SJ13-00015-000 Pulley Shaft	2
16	BH-7485-0594	TP12KSC-DX-058	SJ13-00023-000 Elevator Bolt, M10 x 16mm	4
17	BH-7485-0576	TP12KSC-DX-033	SJ13-00004-000 Spacer 2#	2
18	BH-7485-0577	TP12KSC-DX-032	SJ13-00003-000 Spacer 1#	4
19	BH-7485-0578	TP12KSC-DX-025	SJ13-02000-ETL Carriage	2
20	BH-7485-0579	TP12KSC-DX-024	SJ13-00025-000 Slider Block	16
21	BH-7485-0580	TP12KSC-DX-078	SJ03-00032-000 Flat Washer	4
22	BH-7485-0554	TP12KSC-DX-026A	SJ13-03000-000 Hydraulic Cylinder	2
23	BH-7485-0555	TP12KSC-DX-026Ax	Seal Kit for Hyd. Cylinder	2
24	BH-7485-0838	TP12KSC-DX-070.1	SJ13-00037-001 Cylinder Fitting	2
25	BH-7485-0582	TP12KSC-DX-047	SJ13-00019-000 Hydraulic Hose, 71"	1
26	BH-7485-0583	TP12KSC-DX-045	SJ13-00018-001 Hydraulic Hose, 33' 1"	1
27	BH-7485-0584	TP12KSC-DX-044	SJ13-00020-000 Hydraulic Hose, 8-1/4"	1
28	BH-7485-0306	TP12KSC-DX-046	SJ01-00016-000 Tee Fitting	1
29	BH-7485-0585	TP12KSC-DX-073	SJ13-00008-000 Equalizer Cable, 38' 1-1/2"	2
30	BH-7485-0326	TP12KSC-DX-072	5302-00016-000 Washer, D16	4
31	BH-7485-0407	TP12KSC-DX-071	5202-00016-000 Nut, M16	8
32	BH-7485-0321	TP12KSC-DX-064	SJ01-00025-000 Arm Restraint Main Gear	4
33	BH-7485-0586	TP12KSC-DX-027	5103-10040-000 Bolt, M10 x 40mm	56
34	BH-7485-0587	TP12KSC-DX-028	5302-00010-000 Flat Washer, D10	104
35	BH-7485-0588	TP12KSC-DX-029	5201-00010-000 Nut, M10	48
36	BH-7485-0322	TP12KSC-DX-066	SJ01-00023-000 Arm Restraint Engage Gear	4
37	BH-7485-0319	TP12KSC-DX-065	5402-06038-000 Cotter Pin, D6 x 38mm	8
38	BH-7485-0589	TP12KSC-DX-067	SJ13-00017-ETL Arm Restraint Shaft	4
39	BH-7485-0590	TP12KSC-DX-068	SJ13-00035-000 Arm Restraint Spring	4
40	BH-7485-0591	TP12KSC-DX-069	SJ03-00013-000 Pull Ring	4
41	BH-7485-0844	TP12KSC-DX-060.1	SJ13-06100-A00 Lift Pad Adapter Base	4
42	BH-7485-0340	TP12KSC-DX-059.1	SJ03-00008-001 Rubber Pad	4
43	BH-7485-0828	TP12KSC-DX-112	5105-08016-000 Screw, M8 x 16mm	8
44	BH-7485-0627	TP12KSC-DX-063	SJ13-00016-ETL Swing Arm Pin	4
45	BH-7485-0596	TP12KSC-DX-062	SJ13-04000-ETL Swing Arm	4
46	BH-7485-0847	TP12KSC-DX-061.1	SJ13-08000-A00 Inner Swing Arm	4
47	BH-7485-0835	TP12KSC-DX-004.1	SJ13-00002-A00 2.6" Nesting Height Extension	4
48	BH-7485-0834	TP12KSC-DX-005.1	SJ13-00001-A00 5" Nesting Height Extension	4

Item SVI Part #	Cross Ref #	Cross Ref #	Description	Qty
49	BH-7485-0566	TP12KSC-DX-026.12	51050-8010-000 Screw, M8 x 10mm	6
50	BH-7485-0839	TP12KSC-DX-096	SJ13-00058-A00 Height Extension Adapter Bracket	2
51	BH-7485-0840	TP12KSC-DX-110	SJ13-00059-A00 Mount Bracket	2
52	BH-7485-0274	TP12KSC-DX-048	5301-00006-000 Flat Washer, D6	12
53	BH-7485-0836	TP12KSC-DX-049.1	SJ13-00007-A00 Latch Cover - Main Side	1
54	BH-7485-0837	TP12KSC-DX-049.2	SJ13-00007-A01 Latch Cover Offside	1
55	BH-7485-0367	TP12KSC-DX-074	5901-00118-000 O-Ring, D11.8 x D1.8	1
56	BH-7485-0606	TP12KSC-DX-075	SJ03-14001-000 Tee Fitting	1
57	BH-7485-0607	TP12KSC-DX-076	SJ03-14002-000 Quick Fitting	1
58	BH-7485-0608	TP12KSC-DX-077	SJ03-14005-000 Close Nut	1
59	BH-7485-0370	TP12KSC-DX-084	SJ01-00033-000 Pin	2
60	BH-7485-0609	TP12KSC-DX-018	SJ13-00009-000 Overhead Crossbeam	1
61	BH-7485-0610	TP12KSC-DX-030	SJ13-00010-000 Connecting Plate	4
62	BH-7485-0611	TP12KSC-DX-031	SJ13-00021-000 Cable Nut, M16	1
63	BH-7485-0334	TP12KSC-DX-022	5206-00008-000 Lock Nut, M8	9
64	BH-7512-92	TP12KSC-DX-002	SJ01-12002-000 Shim Assortment 150 Pieces (3 Sizes)	
65	BH-7075-05	TP12KSC-DX-003	SJ01-12003-ETL Wedge Anchor Bolt 3/4" x 7"	12
66	BH-7485-0302	TP12KSC-DX-095	SJ01-00017-000 Rubber Grommet	4
67	BH-7485-0626	TP12KSC-DX-094	SJ13-00057-000 Hose Cover, Upper MS	2
68	BH-7485-0621	TP12KSC-DX-089	SJ13-00054-000 Hose Cover, Middle MS	1
69	BH-7485-0622	TP12KSC-DX-090	SJ13-00055-000 Hose Cover, Lower MS	1
70	BH-7485-0623	TP12KSC-DX-091	SJ13-00056-000 Hose Cover, OS	1
71	BH-7485-0620	TP12KSC-DX-088	5302-00004-000 Flat Washer, D10	12
72	BH-7485-0619	TP12KSC-DX-087	5110-04040-000 Screw, M4 x 40mm	12
73	BH-7485-0625	TP12KSC-DX-093	EG01-00013-000 Rubber Door Guard	2
74	BH-7485-0624	TP12KSC-DX-092	5105-08040-000 Screw, M8 x 40mm	4
75	BH-7485-0618	TP12KSC-DX-085	SJ13-00034-000 Cable Nut	1
76	BH-7485-0831	TP12KSC-DX-081	5903-00014-000 Combined Washer	4
77	BH-7485-0616	TP12KSC-DX-082	SJ13-00038-000 Throttle Valve	2
78	BH-7485-0581	TP12KSC-DX-083	SJ13-00024-000 Connector Fitting	2
79	BH-7485-0372	TP12KSC-DX-111	SJ12-00003-000 Latch Release Bracket	2
80	BH-7485-0373	TP12KSC-DX-103	SJ12-00005-000 Lock Release Cable Pulley	3
81	BH-7485-0550	TP12KSC-DX-014	SJ13-00030-000 Split Pin	3
82	BH-7485-0374	TP12KSC-DX-104	SJ12-00015-000 Pin	3
83	BH-7485-0368	TP12KSC-DX-086	5103-08030-000 Bolt, M8 x 30mm	4
84	BH-7485-0377	TP12KSC-DX-108	SJ12-00021-A00 Turnbuckle	1
85	BH-7485-0376	TP12KSC-DX-109	SJ12-00020-A00 Cable Lock	2
86	BH-7485-0615	TP12KSC-DX-080	SJ13-00036-000 Cover	2
87	BH-7485-0827	TP12KSC-DX-113	5105-06018-000 Screw, M6 x 18mm	4
88	BH-7070-K		Power Station Air / Electric Utility Box	1
89	BH-9701		Single Wheel Spotter Dish 10-3/4" x 15" Wide	1
89	BH-9702		Dual Wheel Spotter Dish 20-1/8" x 15" Wide	1

P
a
g
e

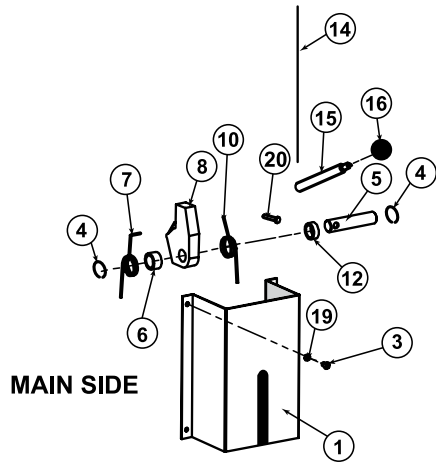


For Model TP12KSC-DX

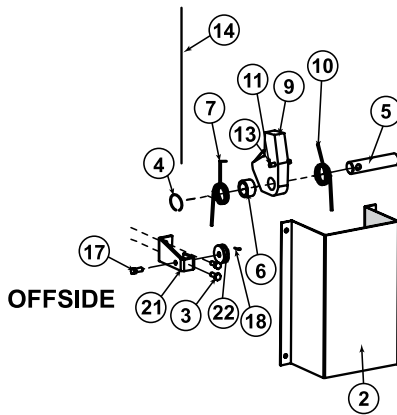
12,000 lb. Capacity 2-Post Asymmetric Clear Floor Lift

DIRECTFIT™
SVI's DIRECT FIT™ BRAND

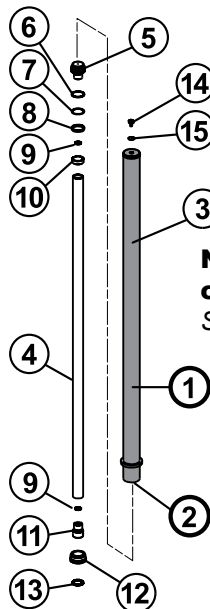
NOTE: This model may be labeled by Tuxedo, iDEAL, and others.



MAIN SIDE



OFFSIDE



Need a hydraulic cylinder seal kit?
SVI is your answer!

Lock Release Detail For Model TP12KSC-DX

Item SVI Part #	Cross Ref #	Cross Ref #	Description	Qty	
1	BH-7485-0836	TP12KSC-DX-049.1	SJ13-00007-A00	Latch Cover - Main Side	1
2	BH-7485-0837	TP12KSC-DX-049.2	SJ13-00007-A01	Latch Cover - Offside	1
3	BH-7485-0350	TP12KSC-DX-039	5110-06012-000	Screw, M6 x 12mm	26
4	BH-7485-0545	TP12KSC-DX-006	5304-00025-000	Retaining Ring	4
5	BH-7485-0544	TP12KSC-DX-007	SJ13-00011-000	Latch Shaft	2
6	BH-7485-0841	TP12KSC-DX-098	SJ13-00060-A00	Bushing	2
7	BH-7485-0393	TP12KSC-DX-099	SJ12-00004-000	Lock Release Spring	2
8	BH-7485-0845	TP12KSC-DX-099.2	SJ13-07000-A00	Safety Latch Mainside	1
9	BH-7485-0846	TP12KSC-DX-099.1	SJ13-07000-A01	Safety Latch Offside	1
10	BH-7485-0543	TP12KSC-DX-008	SJ13-00012-000	Spring #1	2
11	BH-7485-0388	TP12KSC-DX-097	5202-00006-000	Hex Nut, M6	1
12	BH-7485-0614	TP12KSC-DX-079	SJ13-00022-000	Spacer	2
13	BH-7485-0830	TP12KSC-DX-100	5114-06020-000	Screw, M6 x 20mm	1
14	BH-7485-0842	TP12KSC-DX-101	SJ13-00061-A00	Latch Release Cable	1
15	BH-7485-0399	TP12KSC-DX-105	SJ12-00007-000	Latch Release Handle	1
16	BH-7485-0397	TP12KSC-DX-106	SJ12-00011-000	Handle Knob, D40 x M10	1
17	BH-7485-0374	TP12KSC-DX-104	SJ12-00015-000	Pin	3
18	BH-7485-0550	TP12KSC-DX-014	SJ13-00030-000	Split Pin	3
19	BH-7485-0274	TP12KSC-DX-048	5301-00006-000	Flat Washer, D6	12
20	BH-7485-0829	TP12KSC-DX-107	5114-06008-000	Screw, M6 x 8mm	1
21	BH-7485-0386	TP12KSC-DX-102	SJ12-00008-000	Small Bracket	1
22	BH-7485-0373	TP12KSC-DX-103	SJ12-00005-000	Lock Release Cable Pulley	3

Hydraulic Cylinder Detail For Model TP12KSC-DX

Item SVI Part #	Cross Ref #	Cross Ref #	Description	Qty	
1	BH-7485-0554	TP12KSC-DX-026A	SJ13-03000-000	Hydraulic Cylinder	2
2	BH-7485-0555	TP12KSC-DX-026Ax		Seal Kit for Hyd.Cylinder	2
3	BH-7485-0556	TP12KSC-DX-026.1	SJ13-03100-000	Cylinder Body	2
4	BH-7485-0557	TP12KSC-DX-026.6	BL40-01001-000	Piston Rod	2
5	BH-7485-0558	TP12KSC-DX-026.11	SJ13-03002-000	Piston	2
6	BH-7485-0559	TP12KSC-DX-026.10	5905-00355-000	Seal Ring, D50.5 x D35.5	2
7	BH-7485-0415	TP12KSC-DX-026.9	5901-00447-000	O-Ring, D44.7 x D3.5	2
8	BH-7485-0560	TP12KSC-DX-026.8	5904-00440-000	Guide Ring	2
9	BH-7485-0561	TP12KSC-DX-026.5	5901-00260-000	O-Ring, D26 x D3.5	4
10	BH-7485-0562	TP12KSC-DX-026.7	SJ13-03001-000	Limit Ring	2
11	BH-7485-0832	TP12KSC-DX-026A.4	BL40-01003-D00	Cylinder Head	2
12	BH-7485-0564	TP12KSC-DX-026.3	BL40-01002-000	Guiding Ring	2
13	BH-7485-0565	TP12KSC-DX-026.2	5906-00380-000	Dust Ring	2
14	BH-7485-0566	TP12KSC-DX-026.12	51050-8010-000	Screw, M8 x 10mm	2
15	BH-7485-0567	TP12KSC-DX-026.13	5308-00008-000	Copper Washer, D8	2

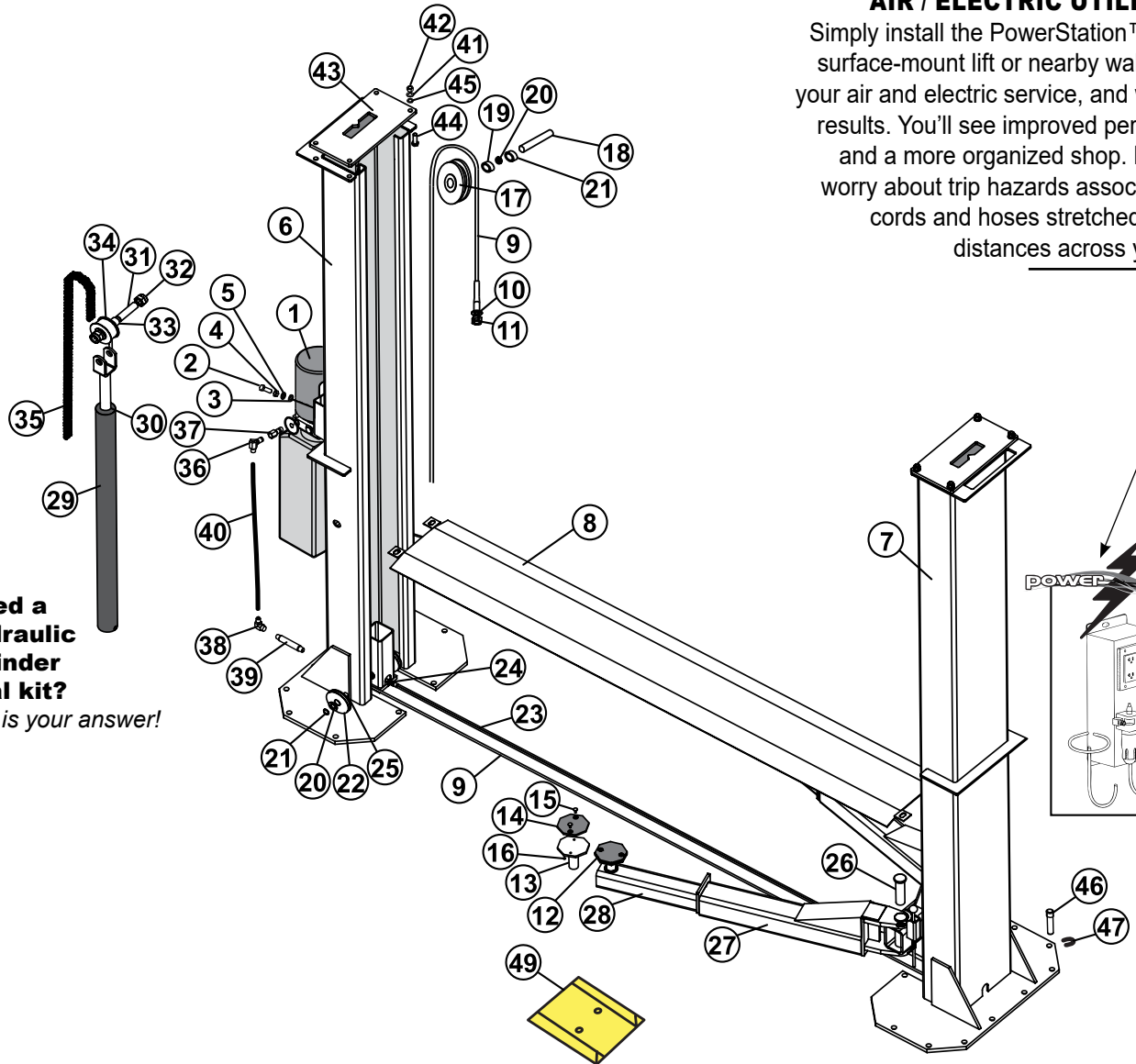
For Model TP15KF

15,000 lb. Capacity 2-Post Floor Plate Lift

DIRECTFIT™
SVI's DIRECT FIT™ BRAND

POWER STATION™ AIR / ELECTRIC UTILITY BOX

Simply install the PowerStation™ on your surface-mount lift or nearby wall, bring in your air and electric service, and watch the results. You'll see improved performance and a more organized shop. No longer worry about trip hazards associated with cords and hoses stretched for great distances across your floor.



Need a hydraulic cylinder seal kit?
SVI is your answer!

WIDEN YOUR RANGE!

With extra wide single and dual wheel spotter dishes exclusively from SVI. Our wheel spotters are stamped from heavy gauge steel then powder coated and shipped with installation hardware. Each spotter is a **full 15" wide** to provide safe spotting for both wide and narrow wheelbase vehicles.

BH-9701 • Single Wheel Spotter Dish 10-3/4" x 15"

BH-9702 • Dual Wheel Spotter Dish 20-1/8" x 15"

Need repair parts or consumables for your Tire Changer?
SVI is your answer!





For Model TP15KF
15,000 lb. Capacity 2-Post Floor Plate Lift

DIRECTFIT™
SVI's DIRECT FIT™ BRAND

Item	SVI Part #	Cross Ref #	Description	Qty
1	BH-7006A-XX	TP15KF-045	Power Unit	1
2	BH-7485-0758	TP15KF-046	Bolt	4
3	BH-7485-0759	TP15KF-049	Nut	4
4	BH-7485-0760	TP15KF-048	Elastic Washer	4
5	BH-7485-0761	TP15KF-047	Bushing	4
6	BH-7485-0762	TP15KF-002	Main Side Column	1
7	BH-7485-0763	TP15KF-001	Offside Column	1
8	BH-7485-0764	TP15KF-066	Protective Floor Plate	1
9	BH-7485-0765	TP15KF-050	Cable Assembly	2
10	BH-7485-0766	TP15KF-042	Bushing	8
11	BH-7485-0767	TP15KF-067	Nylock Hex Nut	8
12	BH-7485-0768	TP15KF-020x	Lift Adapter and Pad Assembly	4
13	BH-7485-0769	TP15KF-020	Adapter Base Only	4
14	BH-7270-048	TP15KF-021	Rubber Arm Pad	4
15	BH-7485-0770	TP15KF-022	Elevator Bolt	8
16	BH-7485-0771	TP15KF-023	Hex Nut	8
17	BH-7485-0772	TP15KF-007	Sheave	2
18	BH-7485-0773	TP15KF-003	Sheave Pin	6
19	BH-7485-0774	TP15KF-008	Oilless Bushing	2
20	BH-7485-0775	TP15KF-010	Shaft Washer	6
21	BH-7485-0776	TP15KF-009	Bushing	6
22	BH-7485-0777	TP15KF-004	Sheave	4
23	BH-7485-0778	TP15KF-054	Hydraulic Hose	1
24	BH-7485-0779	TP15KF-053	Hydraulic Fitting	2
25	BH-7485-0780	TP15KF-005	Oilless Bushing	4
26	BH-7485-0781	TP15KF-019	Swing Arm Pin	4
27	BH-7485-0782	TP15KF-015	Outer Swing Arm	4
28	BH-7485-0783	TP15KF-016	Inner Arm	4
29	BH-7485-0784	TP15KF-056	Hydraulic Cylinder	2
30	BH-7485-0785	TP15KF-056x	Hydraulic Cylinder Seal Kit	2
31	BH-7485-0786	TP15KF-064	Chain Roller Pin	2

Item	SVI Part #	Cross Ref #	Description	Qty
32	BH-7485-0787	TP15KF-065	Nylock Hex Nut	4
33	BH-7485-0788	TP15KF-063	Oilless Bushing	2
34	BH-7485-0789	TP15KF-062	Chain Roller	2
35	BH-7485-0790	TP15KF-055	Chain (See SVI Chain Book)	2
36	BH-7485-0791	TP15KF-051	Hydraulic Fitting	1
37	BH-7485-0792	TP15KF-052	Hydraulic Pump Fitting	1
38	BH-7485-0793	TP15KF-060	Elbow Fitting	1
39	BH-7485-0794	TP15KF-059	Pipe Fitting	1
40	BH-7485-0795	TP15KF-061	Hydraulic Hose	1
41	BH-7485-0796	TP15KF-013	Elastic Washer	8
42	BH-7485-0797	TP15KF-014	Nut	8
43	BH-7485-0798	TP15KF-006	Top Column Cover	2
44	BH-7485-0799	TP15KF-011	Bolt	8
45	BH-7485-0800	TP15KF-012	Flat Washer	8
46	BH-7075-03	TP15KF-068	Wedge Anchor Bolt (3/4" x 5-1/2")	16
47	BH-7512-92		Shim Assortment 150 Pieces (3 Sizes)	
48	BH-7070-K		Power Station Air / Electric Utility Box	1
49	BH-9701		Single Wheel Spotter Dish 10-3/4" x 15" Wide	1
49	BH-9702		Dual Wheel Spotter Dish 20-1/8" x 15" Wide	1
-- NOT SHOWN:				
--	BH-7485-0801	TP15KF-017	Cover Board	4
--	BH-7485-0802	TP15KF-025	Board for isolation	8
--	BH-7485-0803	TP15KF-026	Ring	2
--	BH-7485-0804	TP15KF-027	Shaft Bushing	4
--	BH-7485-0805	TP15KF-057	Throttle	2
--	BH-7485-0806	TP15KF-058	Spring	2

P
a
g
e

56

**Auto Lift Cables and Chain
Sheaves / Pulleys / Chain Rollers**



**TURF
AND UTILITY
TRAYS**

FOR 2-POST LIFTS
SYMMETRIC / ASYMMETRIC

**The #1 Choice for
Symmetric or Asymmetric
2-Post Surface Mount Lifts
and In-Ground
Side-By-Side, too!**

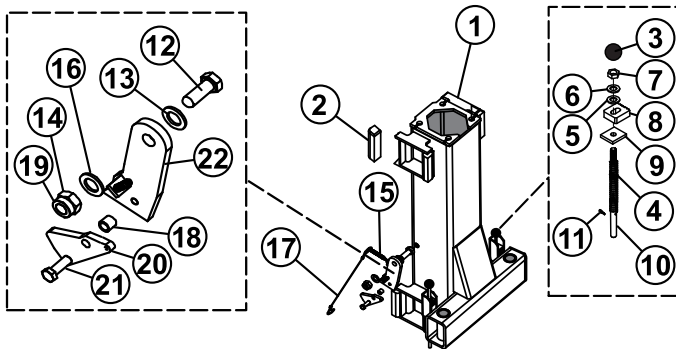
*Various Styles
Available!
Contact
SVI today!*





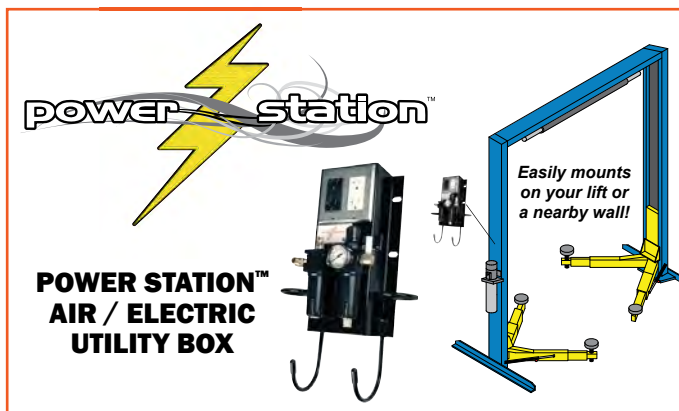
For Model TP15KF
15,000 lb. Capacity 2-Post Floor Plate Lift

DIRECTFIT™
SVI's DIRECT FIT™ BRAND



Carriage, Arm Restraints and Lock Parts Detail For Model TP15KF

Item	SVI Part #	Cross Ref #	Description	Qty
1	BH-7485-0808	TP15KF-028	Carriage	2
2	BH-7485-0807	TP15KF-018	Slider Block	8
3	BH-7485-0811	TP15KF-031	Plastic Ball Handle	4
4	BH-7485-0825		Arm Restraint Spring	4
5	BH-7485-0812	TP15KF-032	Flat Washer	4
6	BH-7485-0813	TP15KF-033	Spring Washer	4
7	BH-7485-0814	TP15KF-034	Nut	4
8	BH-7485-0826	TP15KF-024	Arm Restraint Engage Gear	4
9	BH-7485-0824		Arm Restraint Plate	4
10	BH-7485-0809	TP15KF-029	Pull Pin	4
11	BH-7485-0810	TP15KF-030	Pin	4
12	BH-7485-0823	TP15KF-044	Bolt	2
13	BH-7485-0766	TP15KF-042	Bushing	8
14	BH-7485-0822	TP15KF-043	Self-Lock Nut	2
15	BH-7485-0821	TP15KF-041	Pullback Spring	2
16	BH-7485-0761	TP15KF-047	Bushing	4
17	BH-7485-0819	TP15KF-039	Pull Rope	2
18	BH-7485-0820	TP15KF-040	Bushing	4
19	BH-7485-0818	TP15KF-038	Cover	2
20	BH-7485-0816	TP15KF-036	Latch Release Pivot	2
21	BH-7485-0817	TP15KF-037	Bolt	2
22	BH-7485-0815	TP15KF-035	Safety Latch Weldment	2



Insist on SVI Direct Fit™ brand Products!

Whether it's standard or custom, SVI is your answer.

Don't see what you need?

Contact SVI today!

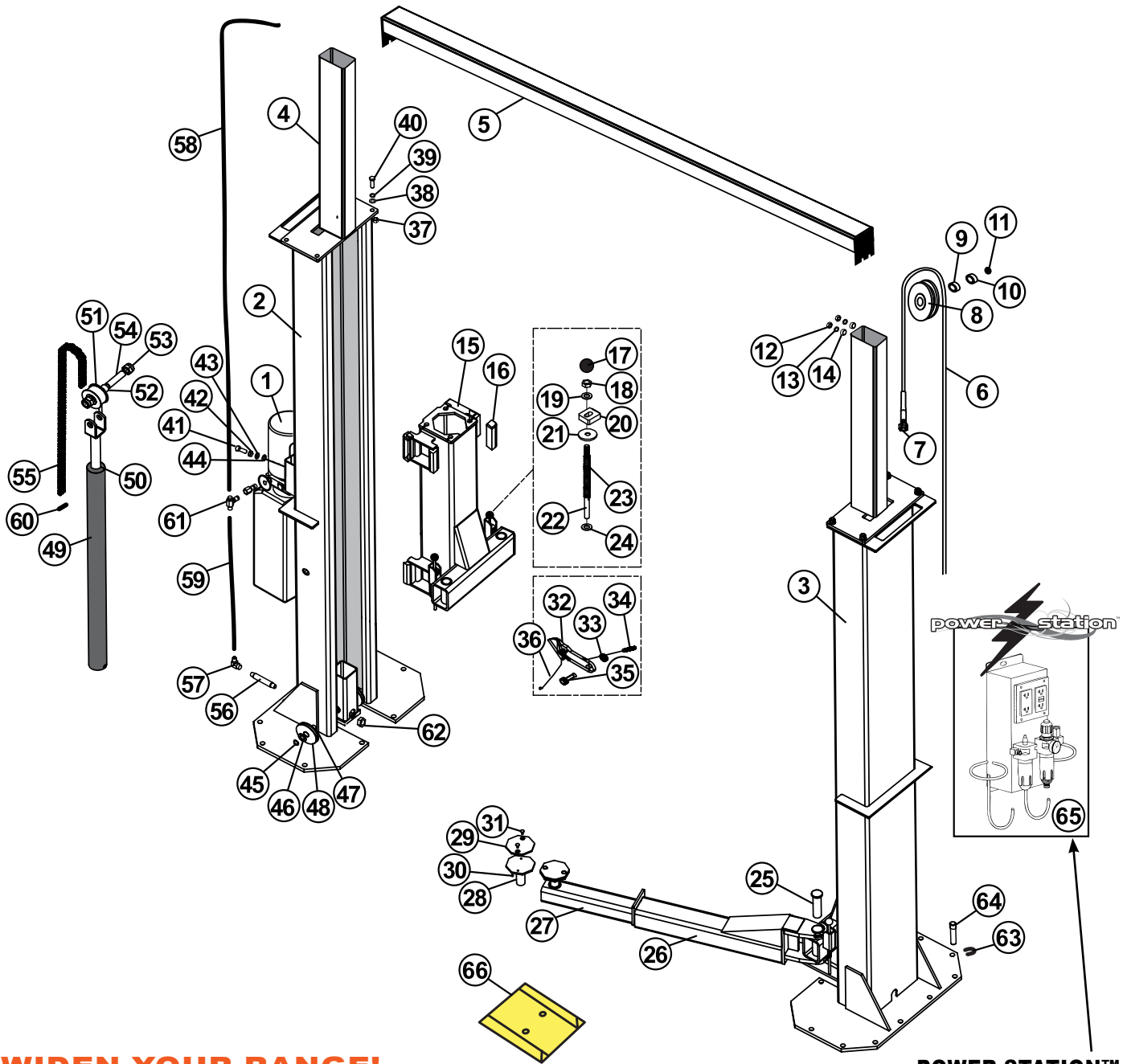
800-321-8173

parts@sviintl.com

For Model TP15KC-K

15,000 lb. Capacity 2-Post Symmetric Clear Floor Lift

DIRECTFIT™
SVI's DIRECT FIT™ BRAND



WIDEN YOUR RANGE!

With extra wide single and dual wheel spotter dishes exclusively from SVI. Our wheel spotters are stamped from heavy gauge steel then powder coated and shipped with installation hardware. Each spotter is a **full 15" wide** to provide safe spotting for both wide and narrow wheelbase vehicles.

BH-9701 • Single Wheel Spotter Dish 10-3/4" x 15"

BH-9702 • Dual Wheel Spotter Dish 20-1/8" x 15"

POWER STATION™

AIR / ELECTRIC UTILITY BOX

Simply install the PowerStation™ on your surface-mount lift or nearby wall, bring in your air and electric service, and watch the results. You'll see improved performance and a more organized shop. No longer worry about trip hazards associated with cords and hoses stretched for great distances across your floor.



For Model TP15KC-K
15,000 lb. Capacity 2-Post Symmetric Clear Floor Lift

DIRECTFIT™
SVI's DIRECT FIT™ BRAND

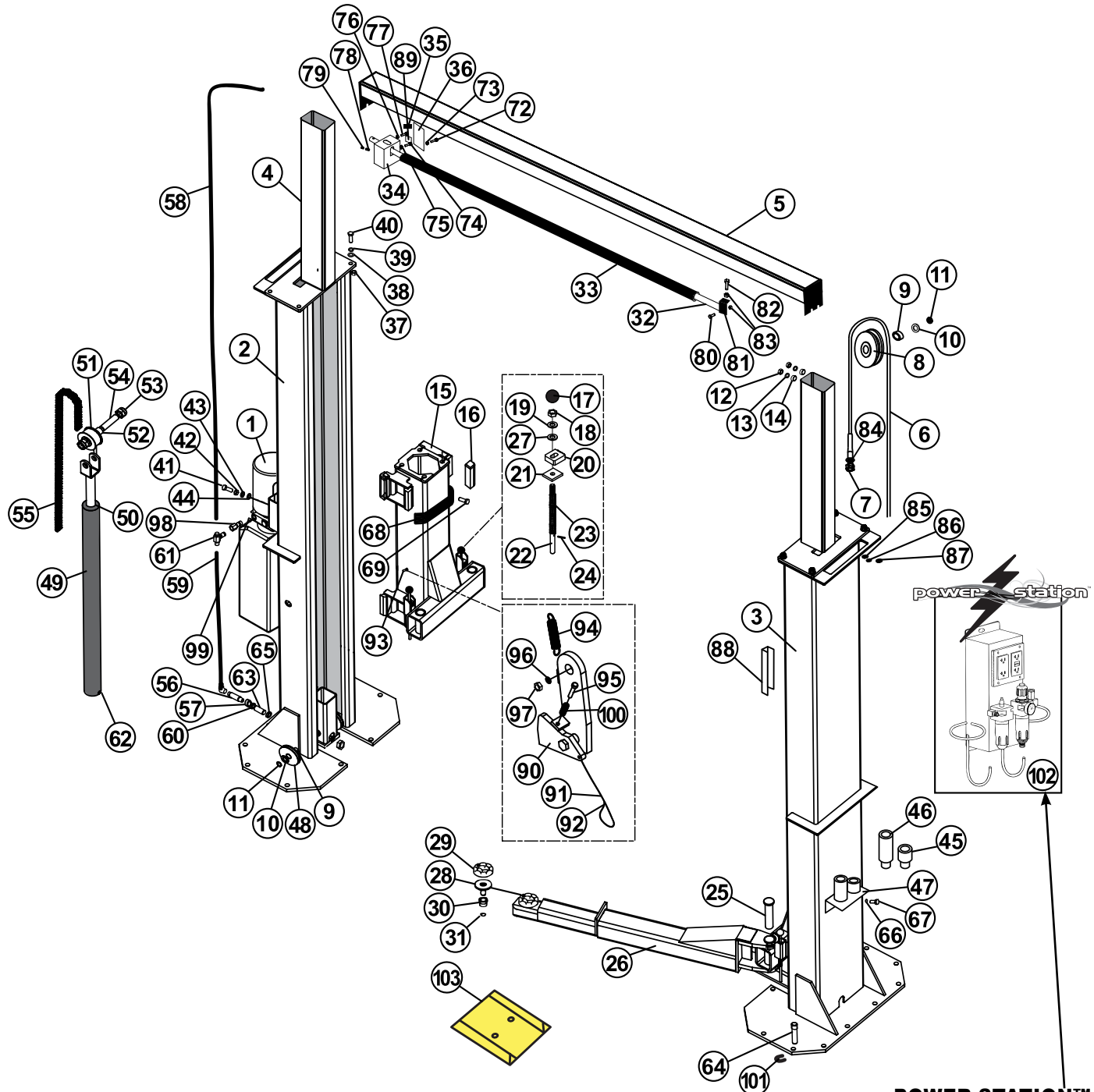
Item	SVI Part #	Cross Ref #	Description	Qty
1	BH-7006A-XX	TP15KC-K-019	Power Unit	1
2	BH-7485-0894	TP15KC-K-014	Column - Main Side	1
3	BH-7485-0895	TP15KC-K-014	Column - Offside	1
4	BH-7485-0896	TP15KC-K-009	Column Extensions	2
5	BH-7485-0897	TP15KC-K-001	Overhead Crossbeam	1
6	BH-7485-0898	TP15KC-K-046	Equalizer Cable	2
7	BH-7485-0899	TP15KC-K-047	Nylon Lock Nut	4
8	BH-7485-0900	TP15KC-K-008	Cable Sheave / Pulley	4
9	BH-7485-0901	TP15KC-K-007	Unoiled Bushing	4
10	BH-7485-0902	TP15KC-K-006	Bushing	4
11	BH-7485-0903	TP15KC-K-005	Spindle Washer	4
12	BH-7485-0904	TP15KC-K-004	Nut	4
13	BH-7485-0905	TP15KC-K-003	Lock Washer	4
14	BH-7485-0906	TP15KC-K-002	Bushing	4
15	BH-7485-0907	TP15KC-K-020	Carriage	2
16	BH-7485-0908	TP15KC-K-026	Slide Block	16
17	BH-7485-0909	TP15KC-K-028	Arm Restraint Ball Knob	4
18	BH-7485-0910	TP15KC-K-029	Nut	4
19	BH-7485-0911	TP15KC-K-030	Flat Washer	4
20	BH-7485-0912	TP15KC-K-031	Arm Restraint Gear	4
21	BH-7485-0913	TP15KC-K-032	Bushing	4
22	BH-7485-0914	TP15KC-K-033	Arm Restraint Pin	4
23	BH-7485-0915	TP15KC-K-034	Arm Restraint Spring	4
24	BH-7485-0916	TP15KC-K-035	Retaining Ring	4
25	BH-7485-0917	TP15KC-K-027	Arm Pin	4
26	BH-7485-0918	TP15KC-K-036	Outer Swing Arm	4
27	BH-7485-0919	TP15KC-K-037	Inner Swing Arm	4
28	BH-7485-0920	TP15KC-K-038	Adapter Base Only	4
29	BH-7485-0921	TP15KC-K-039	Rubber Arm Pad	4
30	BH-7485-0922	TP15KC-K-040	Nut	8
31	BH-7485-0923	TP15KC-K-041	Bolt	8
32	BH-7485-0924	TP15KC-K-021	Safety Lock Latch	2
33	BH-7485-0925	TP15KC-K-023	Nylon Lock Nut	2
34	BH-7485-0926	TP15KC-K-022	Safety Latch Spring	2
35	BH-7485-0927	TP15KC-K-024	Hex Bolt	2

Item	SVI Part #	Cross Ref #	Description	Qty
36	BH-7485-0928	TP15KC-K-025	Lock Release Cable	2
37	BH-7485-0929	TP15KC-K-013	Nut	8
38	BH-7485-0930	TP15KC-K-012	Lock Washer	8
39	BH-7485-0931	TP15KC-K-011	Flat Washer	8
40	BH-7485-0932	TP15KC-K-010	Bolt	8
41	BH-7485-0933	TP15KC-K-015	Bolt	4
42	BH-7485-0934	TP15KC-K-016	Bushing	4
43	BH-7485-0935	TP15KC-K-017	Lock Washer	4
44	BH-7485-0936	TP15KC-K-018	Nut	4
45	BH-7485-0937	TP15KC-K-042	Spindle Washer	4
46	BH-7485-0938	TP15KC-K-043	Bushing	4
47	BH-7485-0939	TP15KC-K-044	Unoiled Bushing	4
48	BH-7485-0940	TP15KC-K-045	Cable Sheave / Pulley	4
49	BH-7485-0941	TP15KC-K-052	Hydraulic Cylinder	2
50	BH-7485-0942	TP15KC-K-052x	Hydraulic Cylinder Seal Kit	2
51	BH-7485-0943	TP15KC-K-049	Chain Roller	2
52	BH-7485-0944	TP15KC-K-050	Bushing	2
53	BH-7485-0945	TP15KC-K-051	Nylon Lock Nut	4
54	BH-7485-0946	TP15KC-K-048	Sheave Pin	2
55	BH-7485-0947	TP15KC-K-056	Chain (See SVI Chain Book)	2
56	BH-7485-0948	TP15KC-K-055	Crossbeam Fitting	2
57	BH-7485-0949	TP15KC-K-054	Elbow Fitting	2
58	BH-7485-0950	TP15KC-K-058	Hydraulic Hose	1
59	BH-7485-0951	TP15KC-K-059	Hydraulic Hose	1
60	BH-7485-0952	TP15KC-K-057	Chain bolt	4
61	BH-7485-0953	TP15KC-K-060	Tee Fitting	1
62	BH-7485-0954	TP15KC-K-053	Hex Bolt	2
63	BH-7512-92		Shim Assortment 150 Pieces (3 Sizes)	
64	BH-7075-03		Wedge Anchor Bolt	
65	BH-7070-K		Power Station Air / Electric Utility Box	1
66	BH-9701		Single Wheel Spotter Dish 10-3/4" x 15" Wide	1
66	BH-9702		Dual Wheel Spotter Dish 20-1/8" x 15" Wide	1

For Model TP15KC-KX

15,000 lb. Capacity 2-Post Symmetric Clear Floor Lift

DIRECTFIT™
SVI's DIRECT FIT™ BRAND



WIDEN YOUR RANGE!

With extra wide single and dual wheel spotter dishes exclusively from SVI. Our wheel spotters are stamped from heavy gauge steel then powder coated and shipped with installation hardware. Each spotter is a **full 15" wide** to provide safe spotting for both wide and narrow wheelbase vehicles.

BH-9701 • Single Wheel Spotter Dish 10-3/4" x 15"

BH-9702 • Dual Wheel Spotter Dish 20-1/8" x 15"

POWER STATION™

AIR / ELECTRIC UTILITY BOX

Simply install the PowerStation™ on your surface-mount lift or nearby wall, bring in your air and electric service, and watch the results. You'll see improved performance and a more organized shop. No longer worry about trip hazards associated with cords and hoses stretched for great distances across your floor.



For Model TP15KC-KX

15,000 lb. Capacity 2-Post Symmetric Clear Floor Lift

DIRECTFIT™
SVI's DIRECT FIT™ BRAND

Item SVI Part #	Cross Ref #	Cross Ref #	Description	Qty
1	BH-7006A-XX	TP15KC-KX-081	PU-220V-L-H-X Power Unit 220V	1
2	BH-7485-0872	TP15KC-KX-001	TT-6861KY-101-01-00A Column - Main Side	1
3	BH-7485-0873	TP15KC-KX-002	TT-6861KY-101-01-00B Column - Offside	1
4	BH-7485-0874	TP15KC-KX-003	TT-6861KY-103-01-00 Column Extension	1
5	BH-7485-0876	TP15KC-KX-032	TT-6861KY-700-01-00 Overhead Beam	1
6	BH-7485-0893	TP15KC-KX-036	TPO15-505-01 Equalizer Cable 487.4" Long	2
7	BH-7485-0857	TP15KC-KX-038	GB889.1-2000 M20 Self-Lock Nut M20	4
8	BH-7485-0871	TP15KC-KX-074	TPO15-103-02 Cable Pulley - Upper	4
9	BH-7485-0717	TP15KC-KX-063	SF-1 2519 Bushing	6
10	BH-7485-0865	TP15KC-KX-064	GB95-1985 D24 Flat Washer D24	6
11	BH-7485-0858	TP15KC-KX-065	GB894.1 D25 Retaining Ring	6
12	BH-7485-0851	TP15KC-KX-033	GB6170-2000 M12 Nut M12	4
13	BH-7485-0859	TP15KC-KX-034	GB93-1987 D12 Lock Washer	4
14	BH-7485-0863	TP15KC-KX-035	GB95-1985 D12 Flat Washer D12	4
15	BH-7485-0744	TP15KC-KX-045	TT-6961KY-200-01-00 Carriage (12/15KX)	2
16	BH-7485-0745	TP15KC-KX-046	TPO15-200-04 Sliding Rub Block	16
17	BH-7485-0886	TP15KC-KX-049	Pull Knob, Arm Restraint	4
18	BH-7485-0178	TP15KC-KX-050	GB6170-2000 M10 Nut M10	4
19	BH-7485-0748	TP15KC-KX-051	GB93-1987 D10 Lock Washer D10	4
20	BH-7485-0750	TP15KC-KX-052.1	TPO15-200-03-01 Arm Restraint Gear Bar	4
21	BH-7485-0751	TP15KC-KX-052.2	TPF4A-200-11-05 Arm Restraint Plate	4
22	BH-7485-0753	TP15KC-KX-053	TPO15-200-03-04 Arm Restraint Rod	4
23	BH-7485-0752	TP15KC-KX-054	TPO15-200-03-03 Arm Restraint Spring	4
24	BH-7485-0754	TP15KC-KX-055	GB91 2.5X45 Cotter Pin	4
25	BH-7485-0718	TP15KC-KX-039	TPO15-300-02 Swing Arm Pin (12/15KX)	4
26	BH-7485-0719	TP15KC-KX-011	TT-6961KY-300-01-00 Symmetric Swing Arm	4
27	BH-7485-0862	TP15KC-KX-052	GB95-1985 D10 Flat Washer D10	4
28	BH-7485-0739	TP15KC-KX-042	TT-6961KY-048417190L Adapter Base Only	4
29	BH-7485-0741	TP15KC-KX-041	TT-6934-046405772 Rubber Arm Pad	4
30	BH-7485-0740	TP15KC-KX-043	TT-6961KY-048417160 Adapter Nut / Collar	4
31	BH-7485-0742	TP15KC-KX-044	GB895.2-1986 D35 Retaining Ring	4
32	BH-7485-0205	TP15KC-KX-030	DL38G-L103A-00 OH Shut-Off Bar	1
33	BH-7485-0885	TP15KC-KX-031	Cushion, Shut-Off Bar	1
34	BH-7485-0884	TP15KC-KX-024	Switch Box, OH Shut-Off	1
35	BH-7485-0881	TP15KC-KX-018	OH Shut-Off Kill Switch	1
36	BH-7485-0880	TP15KC-KX-015	Cover	1
37	BH-7485-0852	TP15KC-KX-070	GB6170-2000 M16 Nut M16	8
38	BH-7485-0860	TP15KC-KX-069	GB93-1987 D16 Lock Washer D16	8
39	BH-7485-0864	TP15KC-KX-068	GB95-1985 D16 Flat Washer D16	8
40	BH-7485-0850	TP15KC-KX-067	GB5783-2000 M16X55 Bolt M16x55	8
41	BH-7485-0734	TP15KC-KX-082	GB5781-86 M8X25 Bolt M8x25	4
42	BH-7485-0156	TP15KC-KX-083	GB95-1985 D8 Flat Washer D8	4
43	BH-7485-0861	TP15KC-KX-084	GB93-1987 D8 Lock Washer D8	4
44	BH-7485-0854	TP15KC-KX-085	GB6170-2000 M8 Nut M8	4
45	BH-7485-0879	TP15KC-KX-004	TT-6961KY-300-03-00 3" Nesting Height Extension	4
46	BH-7485-0878	TP15KC-KX-005	TT-6961KY-300-02-00 5" Nesting Height Extension	4
47	BH-7485-0877	TP15KC-KX-006	TT-6961KY-103-01 Adapter Bracket	2
48	BH-7485-0714	TP15KC-KX-062	TPO15-101-02 Cable Pulley - Lower	2
49	BH-7485-0720	TP15KC-KX-092	TPO15-NEW Cylinder	2
50	BH-7485-0721		Hydraulic Cylinder Seal Kit	2
51	BH-7485-0725	TP15KC-KX-096	TPO15-501-05 Chain Roller	2
52	BH-7485-0891	TP15KC-KX-095	Bushing	4
53	BH-7485-0723	TP15KC-KX-093	GB889.1 M30 Self-Lock Nut M30	4
54	BH-7485-0722	TP15KC-KX-094	TPO15-501-06 Pin	2

Item SVI Part #	Cross Ref #	Cross Ref #	Description	Qty
55	BH-7485-0892	TP15KC-KX-097	Chain (See SVI Chain Book)	2
56	BH-7485-0728	TP15KC-KX-086	TT-6934-500-02KY Hex Pipe Fitting	2
57	BH-7485-0890	TP15KC-KX-087	Combined Bushing	6
58	BH-7485-0875	TP15KC-KX-075	TT-6861KY-500-03 Overhead Hyd. Hose 429.1"	1
59	BH-7485-0710	TP15KC-KX-078	TT-6961KY-500-02 MS, Low Hyd. Hose - 63.2"	1
60	BH-7485-0235	TP15KC-KX-088	TT-6934-500-06 Throttle Valve	2
61	BH-7485-0224	TP15KC-KX-076	TT-6835-500-04 Hyd. T-Fitting	1
62	BH-7485-0237	TP15KC-KX-091	JB/ZQ4770 Cap Nut M14	2
63	BH-7485-0727	TP15KC-KX-089	TT-6444-03 Valve Spring	2
64	BH-7075-03	TP15KC-KX-010	Wedge Anchor Bolt	20
65	BH-7485-0233	TP15KC-KX-090	TT-6934-500-07 Valve Insert	2
66	BH-7485-0230	TP15KC-KX-007	GB95-1985 D8 Flat Washer D8	4
67	BH-7485-0155	TP15KC-KX-008	GB818-85 M8X10 Screw M8x10	4
68	BH-7485-0171	TP15KC-KX-047	DL38G-C116A Rubber Door Guard	2
69	BH-7485-0170	TP15KC-KX-048	GB70.1-2000 M8X35 Screw M8x35	4
70	BH-7485-0698	TP15KC-KX-077	TT-6961KY-500-01 MS, Short, Hyd. Hose - 13.4"	1
71	BH-7485-0732	TP15KC-KX-009	TT-6835-100-03 Rubber Grommet	1
72	BH-7485-0218	TP15KC-KX-012	GB818-2000 M4X14 Screw M4x14	2
73	BH-7485-0866	TP15KC-KX-013	GB95-1985 D4 Flat Washer D4	2
74	BH-7485-0212	TP15KC-KX-016	GB818-2000 M3X20 Screw M3x20	2
75	BH-7485-0213	TP15KC-KX-017	GB6170-2000 M3 Nut M3	4
76	BH-7485-0210	TP15KC-KX-020	GB818-2000 M4X25 Screw M4x25	2
77	BH-7485-0211	TP15KC-KX-021	GB6170-2000 M4 Nut M4	6
78	BH-7485-0208	TP15KC-KX-022	PG13.5 Cable Connector	1
79	BH-7485-0883	TP15KC-KX-023	Cable, OH Shut-Off	1
80	BH-7485-0170	TP15KC-KX-027	GB70.1-2000 M8X35 Screw M8x35	1
81	BH-7485-0203	TP15KC-KX-028	TT-6643-L104A Bracket, OH Shut-Off Bar	1
82	BH-7485-0855	TP15KC-KX-025	GB70.1-2000 M6X25 Screw M6x25	3
83	BH-7485-0853	TP15KC-KX-026	GB6170-2000 M6 Nut M6	5
84	BH-7485-0185	TP15KC-KX-037	GB95-85 d20 Flat Washer D20	4
85	BH-7485-0856	TP15KC-KX-071	GB818-2000 M6X10 Screw M6x10	8
86	BH-7485-0867	TP15KC-KX-072	GB95-1985 D6 Flat Washer	8
87	BH-7485-0868	TP15KC-KX-073	TPF4-100-15 Hose Clamp	8
88	BH-7485-0193	TP15KC-KX-066	TT-6835-100-02NEW Hose Cover	10
89	BH-7485-0882	TP15KC-KX-019	Plate	1
90	BH-7485-0184	TP15KC-KX-056	TPF4-300-00 Lock Latch	2
91	BH-7485-0870	TP15KC-KX-056.1	TPF4-300-05-01 Lock Release Cable	2
92	BH-7485-0869	TP15KC-KX-056.2	TPF4-300-05-02 Sleeve	4
93	BH-7485-0888	TP15KC-KX-060.1	Bolt 3/4-16	2
94	BH-7485-0755	TP15KC-KX-061	TPO15-400-01 Spring	2
95	BH-7485-0186	TP15KC-KX-058	GB818-2000 M6X30 Screw M6x30	2
96	BH-7485-0185	TP15KC-KX-059	GB95-1985 D20 Flat Washer	4
97	BH-7485-0887	TP15KC-KX-060	Self-Lock Nut 3/4-16	2
98	BH-7485-0226	TP15KC-KX-079	TT-6934-500-04KY Pump Hyd. Fitting	1
99	BH-7485-0889	TP15KC-KX-080	O-Ring	1
100	BH-7485-0187	TP15KC-KX-057	TPF4-300-09 Spring	2
101	BH-7512-92		Shims 150 Pieces (3 Sizes)	
102		BH-7070-K	Power Station Air / Electric Utility Box	1
103		BH-9701	Single Wheel Spotter Dish 10-3/4" x 15" Wide	1
103		BH-9702	Dual Wheel Spotter Dish 20-1/8" x 15" Wide	1

All names, numbers, symbols and descriptions are used for reference purposes only. It is not implied that any part listed is the product of these manufacturers. SVI does not represent and is not associated in any way with any other companies.

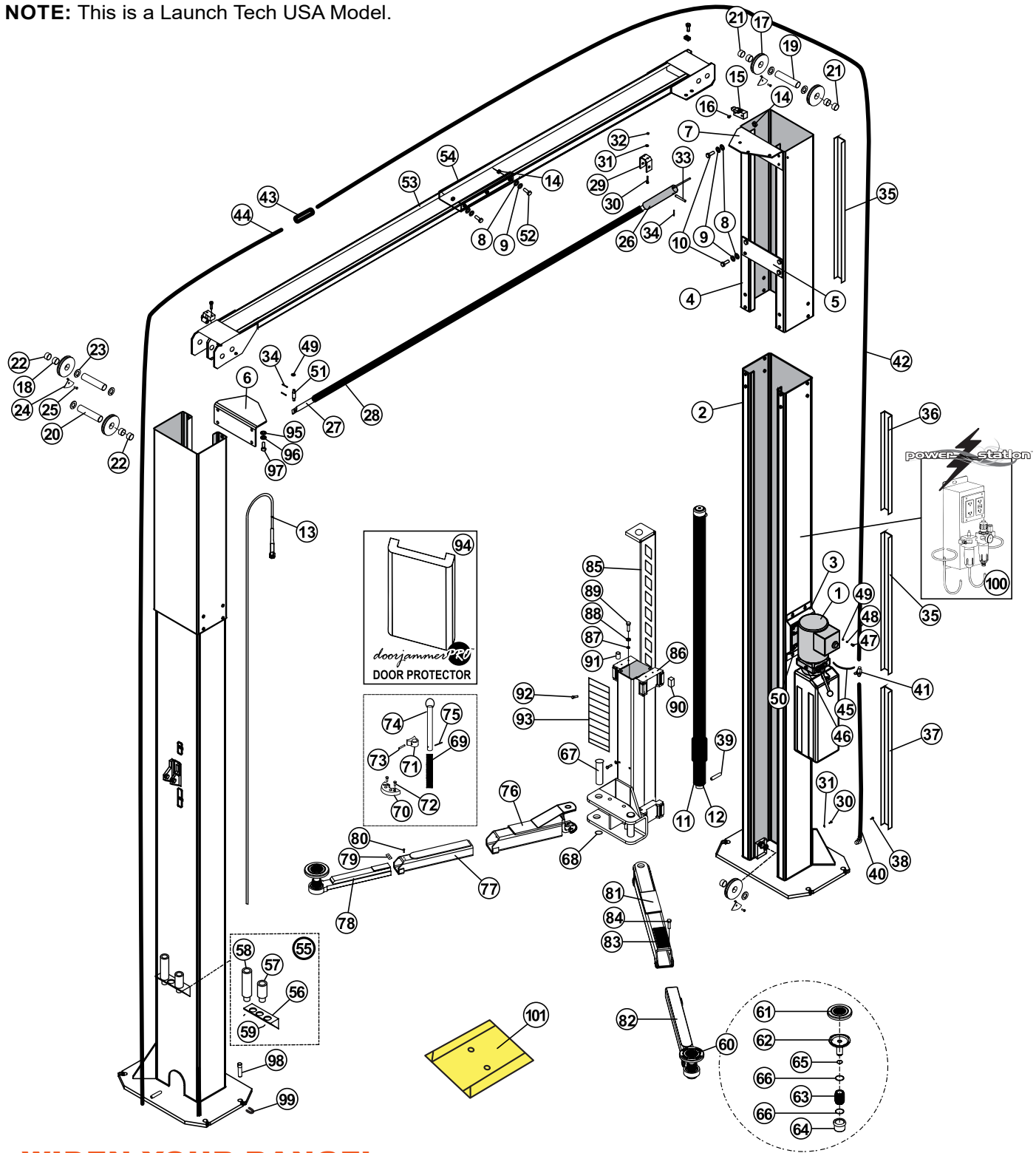
For Models TLT210-A / TLT210-AS / TLT210-XT

10,000 lb. Capacity 2-Post Asymmetric Clear Floor Lift

DIRECTFIT™

SVI's DIRECT FIT™ BRAND

NOTE: This is a Launch Tech USA Model.



P
a
g
e

WIDEN YOUR RANGE!

With extra wide single and dual wheel spotter dishes exclusively from SVI. Our wheel spotters are stamped from heavy gauge steel then powder coated and shipped with installation hardware. Each spotter is a **full 15" wide** to provide safe spotting for both wide and narrow wheelbase vehicles.

62 **BH-9701** • Single Wheel Spotter Dish 10-3/4" x 15" | **BH-9702** • Dual Wheel Spotter Dish 20-1/8" x 15"



For Models TLT210-A / TLT210-AS / TLT210-XT

10,000 lb. Capacity 2-Post Asymmetric Clear Floor Lift

DIRECTFIT™
SVI's DIRECT FIT™ BRAND

NOTE: This is a Launch Tech USA Model.

Item SVI Part #	Cross Ref #	Cross Ref #	Description	Qty	
1	BH-7006A-XX	M-4509-0200	AC-10AH RV21	Power Unit	1
2	BH-7485-7005	201024604		Column - Power Unit	1
2	BH-7485-7006	201024785		Column - Offside	1
3	BH-7485-7009	201024608		Power Unit Bracket	1
4	BH-7485-7010	201014670		Column Extension	2
5	BH-7485-7012	201011154		Reinforcement Plate	2
6	BH-7485-7013	201011739		Connection Bracket 1	1
7	BH-7485-7014	201011740		Connection Bracket 2	1
8	BH-7485-7015	103040110		Flat Washer	
9	BH-7485-7016	103040044		Spring Washer	
10	BH-7485-7017	103020164		Bolt M12x35	
11	BH-7485-7018	103202112		Hydraulic Cylinder	2
12	BH-7485-7019	103202112x		Hydraulic Cylinder Seal Kit	2
13	BH-7485-7020	103260260	103260341	Equalizer Cable Assembly	2
13	BH-7485-7021	103260341	103260341	Equalizer Cable Assembly After August 2013	2
14	BH-7485-7022	103030129		Nut M12	
15	BH-7485-7023	201024606		Lock Release Cable Guide	
16	BH-7485-7024	103020163		Bolt M6x25	
17	BH-7485-7025	201013282	103203017	Sheave	
18	BH-7485-7026	103200699		Bushing	
19	BH-7485-7027	103200967		Symmetric Shaft	
20	BH-7485-7028	103200966		Asymmetric Shaft	
21	BH-7485-7029	201011257		Sheave Spacer, Power Side, 8mm	
22	BH-7485-7030	201011258		Spacer 1	
23	BH-7485-7031	103050035		Retaining Ring	
24	BH-7485-7032	201013268	103203019	Lateral Positioning Plate	
25	BH-7485-7033	103020188		Bolt M5x10	
26	BH-7485-7034	102100206		Limit Switch	1
27	BH-7485-7035	201014671		Shutoff Bar	1
28	BH-7485-7037	104130196		Cushion for Shutoff Bar	1
29	BH-7485-7038	201014672		Switch Bracket	1
30	BH-7485-7039	103010432		Screw M5x12	
31	BH-7485-7040	103040132		Flat Washer	
32	BH-7485-7041	103030018		Nut M5	
33	BH-7485-7042	201014673	103202751	Switch Shaft	
34	BH-7485-7043	103060342		Cotter Pin	
35	BH-7485-7044	201014675	201025081	Column Long Hood	
36	BH-7485-7045	201014676	201025082	Column Short Hood	
37	BH-7485-7046	201014674	201025080	Column Long Hood at Three-Way Fitting	
37	BH-7485-7047	201025177		Idler Column Bottom Hood TLT210-AS	
38	BH-7485-7048	201014685	103202748	Shaft for Hose Hood	
39	BH-7485-7049	103100322		Flow Control Fitting	2
39	BH-7485-7050	103100327		Flow Control Fitting (After Aug 2013)	2
40	BH-7485-7053	104120133		Hydraulic Hose	1
41	BH-7485-7054	103100294		Tee Fitting	1
42	BH-7485-7001	104120134		Overhead Hydraulic Hose 211"	1

Item SVI Part #	Cross Ref #	Cross Ref #	Description	Qty	
43	BH-7485-7003	103100295		Straight Fitting	1
44	BH-7485-7004	104120135		Hydraulic Hose, Offside 167"	1
45	BH-7485-7057	104120132		Power Unit Hose 34-5/8"	1
46	BH-7485-7059	103202113		Adjustable Elbow Fitting	1
47	BH-7485-7060	103020100		Bolt M8x25	
48	BH-7485-7061	103040134		Flat Washer	
49	BH-7485-7062	103040141		Spring Washer	
50	BH-7485-7063	103020171		Bolt M6x12	
51	BH-7485-7064	201011477		Shutoff Shaft	1
52	BH-7485-7065	103020126		Bolt M12x25	
53	BH-7485-7066	201021179		Outer Overhead Beam Bracket	1
54	BH-7485-7068	201020809		Inner Overhead Beam Bracket	1
55	BH-7234-119			Nesting Height Extension Kit includes 2 Brackets, (4) 3" Extensions, (2) 6" Extensions	
56	BH-7234-119C			Adapter Holder Rack	2
57	BH-7234-119A	201014691	103203209	3" Nesting Height Extension	4
58	BH-7234-119B	201014690	103203210	6" Nesting Height Extension	2
59	F-PH-0312-18-0375			Pan Head Screw 5/16"-18 x 3/8"	
60	BH-7232-98			Spin-Up Pad Adapter Assembly	4
60	BH-7232-98GMT			Specialty Spin-Up Pad Adapter Assembly for 2019 and newer GM Sierra and Chevy Silverado 1500 Trucks	4
61	BH-7232-93	104130315		Round Rubber Pad	4
61	BH-7232-93F	104130315		Round Rubber Pad - Fabric Reinforced	4
62	BH-7485-7071	201021561		Adapter Base Only	4
63	BH-7485-7072	103202107		Dual-Threaded Adjustment Sleeve	4
64	BH-7485-7073	103202106		Support Bracket	4
65	BH-7485-7074	103050091		Retaining Ring	4
66	BH-7485-7075	103050090		Retaining Ring	4
67	BH-7485-7077	201010982	103202280	Arm Pin	4
68	BH-7485-7078	103050030		Retaining Ring	4
69	BH-7485-7079	103201914		Arm Restraint Spring	4
70	BH-7485-7080	103201771		Arm Restraint Main Gear	4
71	BH-7485-7081	103201744		Arm Restraint Engage Gear	4
72	BH-7485-7082	103010443	103011102	Bolt	
73	BH-7485-7083	103060376		Pin	4
74	BH-7485-7084	103202184		Restraint Plunger Assembly	4
75	BH-7485-7085	103060355		Cotter Pin	4
76	BH-7485-7086	201024616		Front Female Arm	2
77	BH-7485-7089	201024645		Front Middle Arm	2
78	BH-7485-7091	201024646		Front Male Arm	2
79	BH-7485-7092	201011475		Positioning Plate	2

Continues on the following page



For Models TLT210-A / TLT210-AS / TLT210-XT

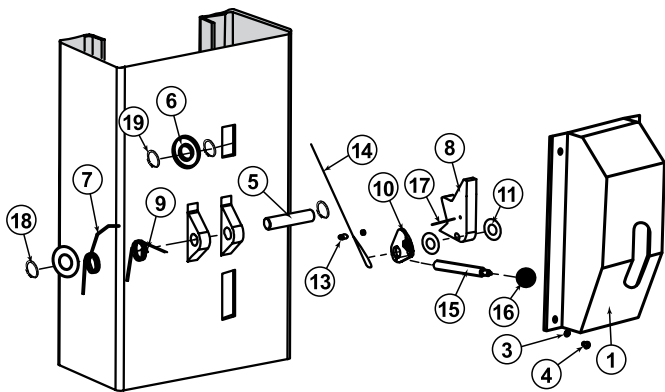
10,000 lb. Capacity 2-Post Asymmetric Clear Floor Lift

DIRECTFIT™
SVI's DIRECT FIT™ BRAND

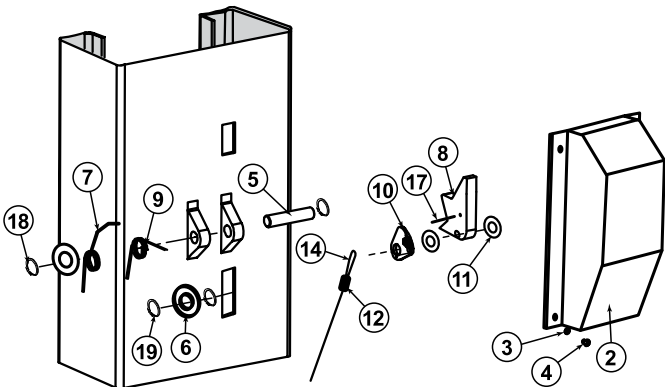
NOTE: This is a Launch Tech USA Model.

Item SVI Part #	Cross Ref #	Cross Ref #	Description	Qty	
80	BH-7485-7093	103010586	Bolt	4	
81	BH-7485-7094	201021763	Long Female Arm	2	
82	BH-7485-7096	201021532	Long Male Arm	2	
83	BH-7485-7098	104130186	Rectangle Bolt-On Arm Pad 2		
84	BH-7485-7099	103010608	Bolt	8	
85	BH-7485-7100	201024611	Carriage	2	
86	BH-7485-7102	201011855	201025138	Top Cover Slider Bracket	4
87	BH-7485-7104	103040123	GB/T95-1985 11	Flat Washer	
88	BH-7485-7105	103040122	GB/T93-1987 11	Lock Washer	
89	BH-7485-7106	103010473	Screw M10×30		
90	BH-7485-7107	104990132	Slider Block		
91	BH-7485-7110	201011741	103203213	Adj. Bushing for Asymmetrical Install	
91	BH-7485-7111	201011742	Adj. Bushing for Narrow Install		
92	BH-7485-7112	103010539	Screw M8×12		
93	BH-7485-7113	104130191	104130192	Door Guard Pad	2

Item SVI Part #	Cross Ref #	Cross Ref #	Description	Qty
94	BH-7077-02-2S		DoorJammerPRO Door Protectors (2) 12" Tall	1
94	BH-7077-02-2		DoorJammerPRO Door Protectors (2) 24" Tall	1
95	BH-7485-7104	103040123	Flat Washer	
96	BH-7485-7105	103040122	Lock Washer	
97	BH-7485-7114	103020207	Bolt	
98	BH-7075-03	103020117	Wedge Anchor Bolt	
99	BH-7512-92		Shim Assortment 150 Pieces (3 Sizes)	
101	BH-7512-92		Shims 150 Pieces (3 Sizes)	
100	BH-7070-K		Power Station Air / Electric Utility Box	1
101	BH-9701		Single Wheel Spotter Dish 10-3/4" x 15" Wide	1
101	BH-9702		Dual Wheel Spotter Dish 20-1/8" x 15" Wide	1



MAIN SIDE



OFFSIDE

Lock Release Detail For Models TLT210-A, TLT210-AS, TLT210-XT

Item SVI Part #	Cross Ref #	Cross Ref #	Description	Qty	
1	BH-7485-7128	104090074	Lock Release Cover Power Side	1	
2	BH-7485-7127	104090073	Lock Release Cover Offside	1	
3	BH-7485-7061	103040134	Flat Washer		
4	BH-7485-7116	103010393	Screw		
5	BH-7485-7123	103201455	Lock Release Plate Shaft	2	
6	BH-7485-7133	202010074	103203055	Lock Release Roller	
7	BH-7485-7120	103201450	Torsion Spring 1	2	
8	BH-7485-7131	201012086	103203057	Lock Release Plate	
9	BH-7485-7121	103201451	Torsion Spring 2	2	
10	BH-7485-7132	201020584	103203056	Cam for Power Side	
11	BH-7485-7130	201011156	103203061	Adjustment Washer	
12	BH-7485-7124	103201478	Cable Clamp F2	1	
13	BH-7485-7125	103260179	Cable Clamp 3	1	
14	BH-7485-7115	101060019	Lock Release Cable		
15	BH-7485-7122	103201454	Lock Release Latch	1	
16	BH-7485-7126	103260186	Knob		
17	BH-7485-7119	103060333	Pin	2	
18	BH-7485-7118	103050025	Retaining Ring		
19	BH-7485-7117	103050021	Retaining Ring		
20	BH-7485-7129	104130210	Small Rubber Pad		

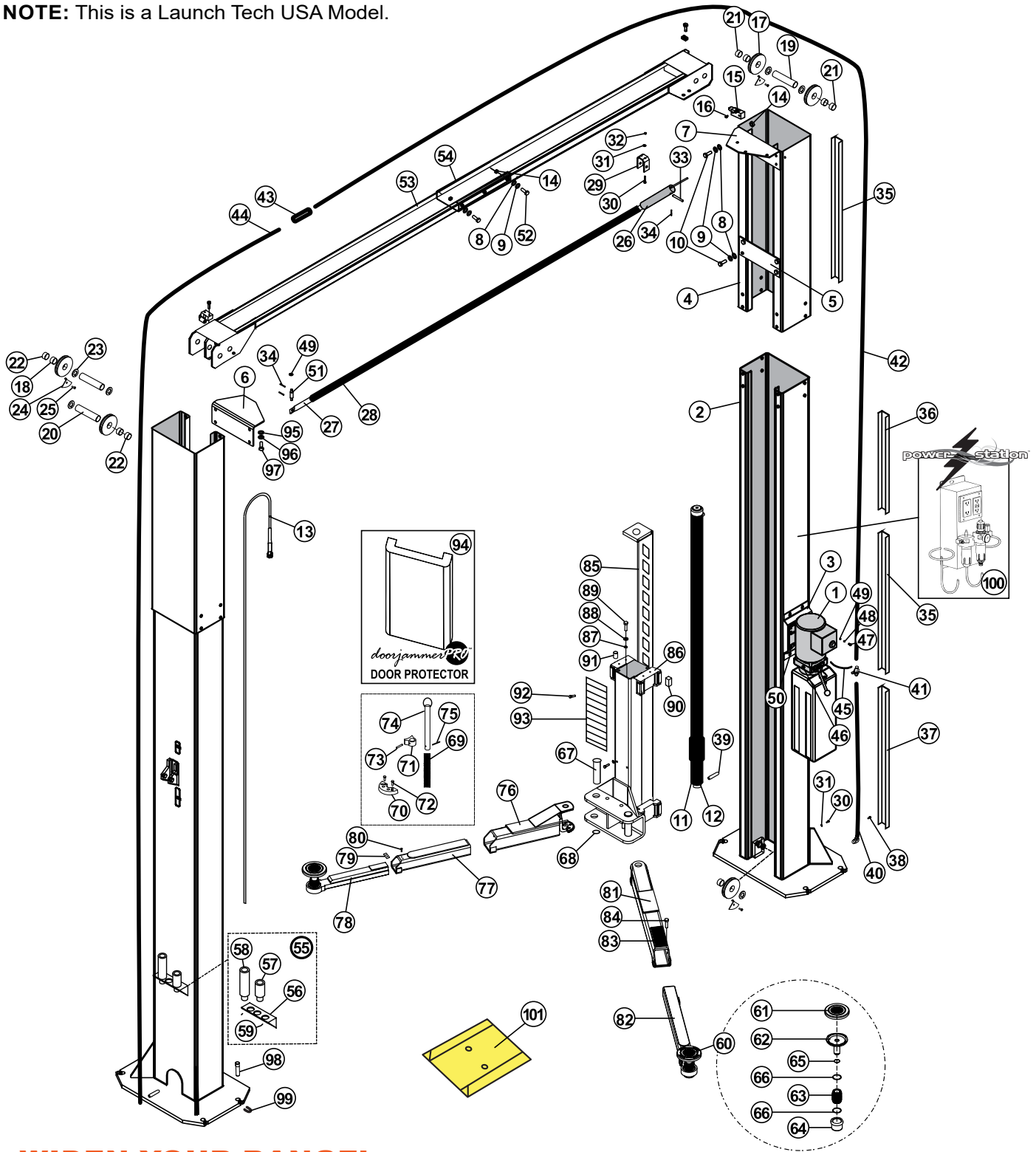
P
a
g
e

For Model TLT211-AS

11,000 lb. Capacity 2-Post Asymmetric Clear Floor Lift

DIRECTFIT™
SVI's DIRECT FIT™ BRAND

NOTE: This is a Launch Tech USA Model.



P
a
g
e

65

WIDEN YOUR RANGE!

With extra wide single and dual wheel spotter dishes exclusively from SVI. Our wheel spotters are stamped from heavy gauge steel then powder coated and shipped with installation hardware. Each spotter is a **full 15" wide** to provide safe spotting for both wide and narrow wheelbase vehicles.

BH-9701 • Single Wheel Spotter Dish 10-3/4" x 15" |

BH-9702 • Dual Wheel Spotter Dish

20-1/8" x 15"



For Model TLT211-AS

11,000 lb. Capacity 2-Post Asymmetric Clear Floor Lift

DIRECTFIT™
SVI's DIRECT FIT™ BRAND

NOTE: This is a Launch Tech USA Model.

Item SVI Part #	Cross Ref #	Cross Ref #	Description	Qty	
1	BH-7006A-XX	M-4509-0200	AC-10AH RV21	Power Unit	1
2	BH-7485-7008	201024620		Column - Power Unit Side	1
2	BH-7485-7007	201024622		Column - Offside	1
3	BH-7485-7009	201024608		Power Unit Bracket	1
4	BH-7485-7011	201024624		Column Extension	2
5	BH-7485-7012	201011154		Reinforcement Plate	2
6	BH-7485-7013	201011739		Connection Bracket 1	1
7	BH-7485-7014	201011740		Connection Bracket 2	1
8	BH-7485-7015	103040110		Flat Washer	
9	BH-7485-7016	103040044		Spring Washer	
10	BH-7485-7017	103020164		Bolt M12x35	
11	BH-7485-7018	103202112		Hydraulic Cylinder	2
12	BH-7485-7019	103202112x		Hydraulic Cylinder Seal Kit	2
13	BH-7485-7020	103260260	103260341	Equalizer Cable Assembly	2
13	BH-7485-7021	103260341	103260341	Equalizer Cable Assembly After August 2013	2
14	BH-7485-7022	103030129		Nut M12	
15	BH-7485-7023	201024606		Lock Release Cable Guide	
16	BH-7485-7024	103020163		Bolt M6x25	
17	BH-7485-7025	201013282	103203017	Sheave	
18	BH-7485-7026	103200699		Bushing	
19	BH-7485-7027	103200967		Symmetric Shaft	
20	BH-7485-7028	103200966		Asymmetric Shaft	
21	BH-7485-7029	201011257		Sheave Spacer, Power Side, 8mm	
22	BH-7485-7030	201011258		Spacer 1	
23	BH-7485-7031	103050035		Retaining Ring	
24	BH-7485-7032	201013268	103203019	Lateral Positioning Plate	
25	BH-7485-7033	103020188		Bolt M5x10	
26	BH-7485-7034	102100206		Limit Switch	1
27	BH-7485-7036	201014680		Shutoff Bar	1
28	BH-7485-7037	104130196		Cushion for Shutoff Bar	1
29	BH-7485-7038	201014672		Switch Bracket	1
30	BH-7485-7039	103010432		Screw M5x12	
31	BH-7485-7040	103040132		Flat Washer	
32	BH-7485-7041	103030018		Nut M5	
33	BH-7485-7042	201014673	103202751	Switch Shaft	
34	BH-7485-7043	103060342		Cotter Pin	
35	BH-7485-7044	201014675	201025081	Column Long Hood	
36	BH-7485-7045	201014676	201025082	Column Short Hood	
37	BH-7485-7046	201014674	201025080	Column Long Hood at Three-Way Fitting	
38	BH-7485-7048	201014685	103202748	Shaft for Hose Hood	
39	BH-7485-7051	103100323		Flow Control Fitting	2
39	BH-7485-7052	10300328	103100328	Flow Control Fitting After Aug 2013	2
40	BH-7485-7053	104120133		Hydraulic Hose	1
41	BH-7485-7054	103100294		Tee Fitting	1
42	BH-7485-7001	104120134		Hydraulic Hose, Overhead 211"	1

Item SVI Part #	Cross Ref #	Cross Ref #	Description	Qty	
43	BH-7485-7003	103100295		Straight Fitting	1
44	BH-7485-7055	104120160		Idler Column Hose 162-1/2"	1
44	BH-7485-7056	104120161		High Setting Hyd. Hose	1
45	BH-7485-7058	104120159		Power Unit Hose	1
46	BH-7485-7059	103202113		Adjustable Elbow Fitting	1
47	BH-7485-7060	103020100		Bolt M8x25	
48	BH-7485-7061	103040134		Flat Washer	
49	BH-7485-7062	103040141		Spring Washer	
50	BH-7485-7063	103020171		Bolt M6x12	
51	BH-7485-7064	201011477		Shutoff Shaft	1
52	BH-7485-7065	103020126		Bolt M12x25	
53	BH-7485-7067	201624629		Overhead Beam	1
54	BH-7485-7068	201020809		Inner Overhead Beam Bracket TLT210-AS	1
55	BH-7234-119			Nesting Height Extension Kit (including 2 Brackets, (4) 3" Extensions, (2) 6" Extensions	
56	BH-7234-119C			Adapter Holder Rack	2
57	BH-7234-119A	201014691	103203209	3" Nesting Height Extension	4
58	BH-7234-119B	201014690	103203210	6" Nesting Height Extension	2
59	F-PH-0312-18-0375			Pan Head Screw 5/16"-18 x 3/8"	
60	BH-7232-98			Spin-Up Pad Adapter Complete Assembly	4
60	BH-7232-98GMT			Specialty Spin-Up Pad Adapter Assembly for 2019 and newer GM Sierra and Chevy Silverado 1500 Trucks	4
61	BH-7232-93	104130315		Round Rubber Pad	4
61	BH-7232-93F	104130315		Round Rubber Pad - Fabric Reinforced	4
62	BH-7485-7071	201021561		Adapter Base Only	4
63	BH-7485-7072	103202107		Dual-Threaded Adjustment Sleeve	4
64	BH-7485-7073	103202106		Support Bracket	4
65	BH-7485-7074	103050091		Retaining Ring	4
66	BH-7485-7075	103050090		Retaining Ring	4
67	BH-7485-7076	103202778		Arm Pin	4
68	BH-7485-7078	103050030		Retaining Ring	4
69	BH-7485-7079	103201914		Arm Restraint Spring	4
70	BH-7485-7080	103201771		Arm Restraint Main Gear	4
71	BH-7485-7081	103201744		Arm Restraint Engage Gear	4
72	BH-7485-7082	103010443	103011102	Bolt	
73	BH-7485-7083	103060376		Pin	4
74	BH-7485-7084	103202184		Arm Restraint Plunger	4
75	BH-7485-7085	103060355		Cotter Pin	4
76	BH-7485-7087	201624634		Front Female Arm	2
77	BH-7485-7088	201024632	201024635	Front Middle Arm	2
78	BH-7485-7090	201024636		Front Male Arm	2

P
a
g
e



For Model TLT211-AS

11,000 lb. Capacity 2-Post Asymmetric Clear Floor Lift

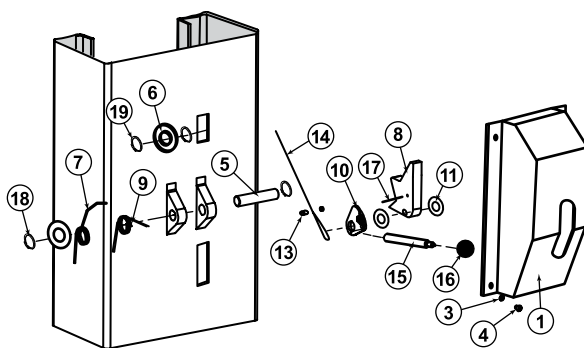
DIRECTFIT™
SVI's DIRECT FIT™ BRAND

NOTE: This is a Launch Tech USA Model.

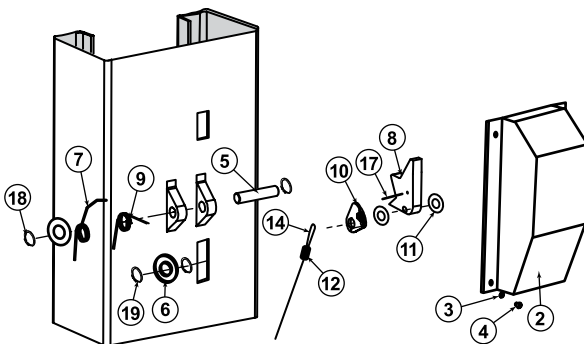
Item SVI Part #	Cross Ref #	Cross Ref #	Description	Qty
79 BH-7485-7092	201011475		Positioning Plate	2
80 BH-7485-7093	103010586		Bolt	4
81 BH-7485-7095	201624631	201024631	Long Female Arm	2
82 BH-7485-7097	201024632		Long Male Arm	2
83 BH-7485-7098	104130186		Rectangle Bolt-On Arm Pad	2
84 BH-7485-7099	103010608		Bolt	8
85 BH-7485-7101	201021093		Carriage	2
86 BH-7485-7103	201025139		Top Cover Slider Bracket	4
87 BH-7485-7104	103040123	GB/T95-1985 11	Flat Washer	
88 BH-7485-7105	103040122	GB/T93-1987 11	Lock Washer	
89 BH-7485-7106	103010473		Screw M10x30	
90 BH-7485-7108	104990135		Slider Block 1	
90 BH-7485-7109	104990134		Slider Block 2	
91 BH-7485-7110	201011741	103203213	Adj. Bushing for Asymmetrical Install	
91 BH-7485-7111	201011742		Adj. Bushing for Narrow Install	
92 BH-7485-7112	103010539		Screw M8x12	

Item SVI Part #	Cross Ref #	Cross Ref #	Description	Qty
93 BH-7485-7113	104130191	104130192	Door Guard Pad TLT Series 2	
94 BH-7077-02-2S			DoorJammer Pro Door Protectors (2) 12" Tall	
94 BH-7077-02-2			DoorJammer Pro Door Protectors (2) 24" Tall	
95 BH-7485-7104	103040123		Flat Washer	
96 BH-7485-7105	103040122		Lock Washer	
97 BH-7485-7114	103020207		Bolt	
98 BH-7075-03	103020117		Wedge Anchor Bolt	
99 BH-7512-92			Shim Assortment 150 Pieces (3 Sizes)	
100BH-7070-K			Power Station Air / Electric Utility Box	1
101BH-9701			Single Wheel Spotter Dish 10-3/4" x 15" Wide	1
101BH-9702			Dual Wheel Spotter Dish 20-1/8" x 15" Wide	1

Lock Release Detail For Model TLT211-AS



MAIN SIDE



OFFSIDE

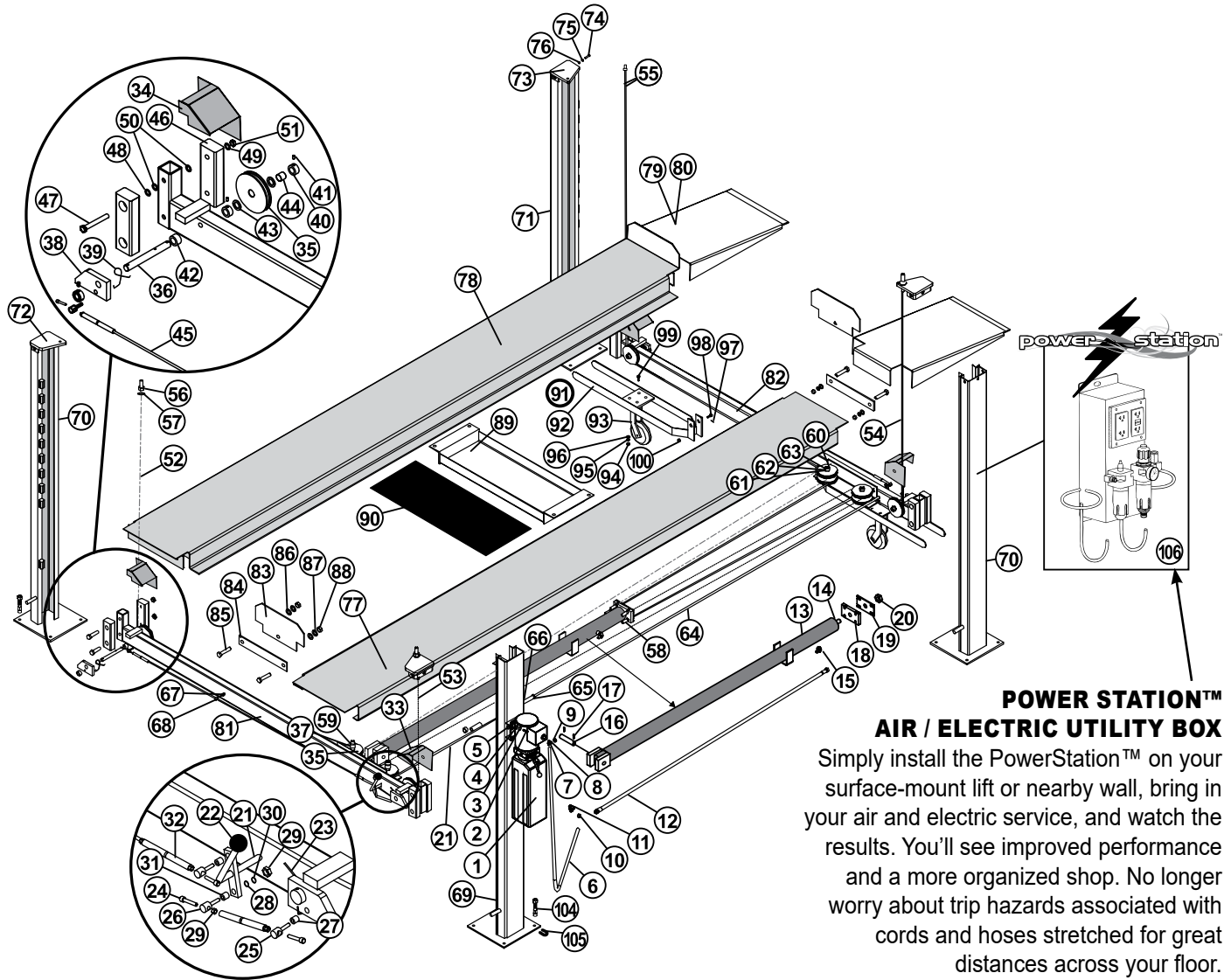
Item SVI Part #	Cross Ref #	Cross Ref #	Description	Qty
1 BH-7485-7128	104090074		Lock Release Cover Power Side	1
2 BH-7485-7127	104090073		Lock Release Cover Offside	1
3 BH-7485-7061	103040134		Flat Washer	
4 BH-7485-7116	103010393		Screw	
5 BH-7485-7123	103201455		Lock Release Plate Shaft	2
6 BH-7485-7133	202010074	103203055	Lock Release Roller	
7 BH-7485-7120	103201450		Torsion Spring 1	2
8 BH-7485-7131	201012086	103203057	Lock Release Plate	
9 BH-7485-7121	103201451		Torsion Spring 2	2
10 BH-7485-7132	201020584	103203056	Cam for Power Side	
11 BH-7485-7130	201011156	103203061	Adjustment Washer	
12 BH-7485-7124	103201478		Cable Clamp F2	1
13 BH-7485-7125	103260179		Cable Clamp 3	1
14 BH-7485-7115	101060019		Lock Release Cable	
15 BH-7485-7122	103201454		Lock Release Latch	1
16 BH-7485-7126	103260186		Knob	
17 BH-7485-7119	103060333		Pin	2
18 BH-7485-7118	103050025		Retaining Ring	
19 BH-7485-7117	103050021		Retaining Ring	
20 BH-7485-7129	104130210		Small Rubber Pad	



For Model FP7K

7,000 lb. Capacity 4-Post Storage / Service Lift

DIRECTFIT™
SVI's DIRECT FIT™ BRAND



POWER STATION™
AIR / ELECTRIC UTILITY BOX
Simply install the PowerStation™ on your surface-mount lift or nearby wall, bring in your air and electric service, and watch the results. You'll see improved performance and a more organized shop. No longer worry about trip hazards associated with cords and hoses stretched for great distances across your floor.

Item SVI Part #	Cross Ref #	Cross Ref #	Description	Qty
1 BH-7006A-XX			Power Unit	1
2 BH-7488-1000	FP7K-4024	FP7K-63	Bolt, M8 x 15	4
3 BH-7488-1001	FP7K-4027	FP7K-62	Spring Washer	4
4 BH-7488-1002	FP7K-4028	FP7K-61	Washer	4
5 BH-7488-1003	FP7K-4080	FP7K-74	Nut	4
6 BH-7488-1004	FP7K-4054	FP7K-65	Hydraulic Hose (Long)	1
7 BH-7488-1005	FP7K-4040	FP7K-64	90° Hyd. Elbow Fitting (PU to Hose)	1
8 BH-7488-1006	FP7K-4053	FP7K-64.1	Hydraulic Fitting 2501-6-6	1
9 BH-7488-1007	FP7K-4079	FP7K-64.2	Bushing	1
10 BH-7488-1008	FP7K-4078	FP7K-73	Nut	1
11 BH-7488-1009	FP7K-4044	FP7K-72	Bulkhead Fitting	1
12 BH-7488-1010	FP7K-4055	FP7K-66	Hydraulic Hose (Short)	1

Item SVI Part #	Cross Ref #	Cross Ref #	Description	Qty
13 BH-7488-1117	FP7K-4039		Hydraulic Cylinder	1
14 BH-7488-1118	FP7K-4039x		Seal Kit FP7K/8K	1
15 BH-7488-1013	FP7K-4062	FP7K-71	90° Elbow Hyd. Fitting, Main1	1
16 BH-7488-1014	FP7K-4043	FP7K-58	Cylinder Pin	1
17 BH-7488-1015	FP7K-4048	FP7K-59	Pin	2
18 BH-7488-1016	FP7K-4038	FP7K-68	Cable Retainer Block	1
19 BH-7488-1017	FP7K-4037	FP7K-69	Cable Lock Plate	1
20 BH-7488-1018	FP7K-4036	FP7K-70	Cylinder Rod Nut	1
21 BH-7488-1019	FP7K-4029	FP7K-43	Lock Release Handle	1
22 BH-7488-1020	FP7K-4068	FP7K-42	Ball Knob, Lock Release	1
23 BH-7488-1021	FP7K-4063	FP7K-44	Lock Spring, Left	2
24 BH-7488-1022	FP7K-4107	FP7K-47	Bolt	8
25 BH-7488-1023	FP7K-4111	FP7K-51	Small Shaft	4

P
a
g
e
68



For Model FP7K

7,000 lb. Capacity 4-Post Storage / Service Lift

DIRECTFIT™
SVI's DIRECT FIT™ BRAND

Item SVI Part #	Cross Ref #	Cross Ref #	Description	Qty
26 BH-7488-1024	FP7K-4112	FP7K-51.1	Small Shaft	4
27 BH-7488-1025	FP7K-4113	FP7K-51.2	Cover	4
28 BH-7488-1026	FP7K-4114	FP7K-51.3	Flat Washer	8
29 BH-7488-1027	FP7K-4109	FP7K-49	Nut	8
30 BH-7488-1028	FP7K-4110	FP7K-51.4	Spring Washer	8
31 BH-7488-1029	FP7K-4108	FP7K-48	Cover	4
32 BH-7488-1030	FP7K-4025	FP7K-50	Linkage Rod - Short	2
33 BH-7488-1031	FP7K-4033	FP7K-45	Sheave Cover RH	2
34 BH-7488-1032	FP7K-4032	FP7K-39	Sheave Cover LH	2
35 BH-7488-1033	FP7K-4011	FP7K-23	Cable Sheave	10
36 BH-7488-1034	FP7K-4016	FP7K-32	Shaft	4
37 BH-7488-1035	FP7K-4034	FP7K-24	Sheave Shaft	4
38 BH-7488-1036	FP7K-4015	FP7K-30	Lock Pawl	4
39 BH-7488-1037	FP7K-4014	FP7K-31	Lock Spring (Right)	2
40 BH-7488-1038	FP7K-4012	FP7K-28	Locking Collar	8
41 BH-7488-1039	FP7K-4095	FP7K-29	Bolt	12
42 BH-7488-1040	FP7K-4081	FP7K-33	Bushing	4
43 BH-7488-1041	FP7K-4106	FP7K-40	Flat Washer	12
44 BH-7488-1042	FP7K-4013	FP7K-41	Spacer	4
45 BH-7488-1043	FP7K-4115	FP7K-27	Linkage Rod - Long	2
46 BH-7488-1044	FP7K-4017	FP7K-34	Slider Block	8
47 BH-7488-1045	FP7K-4100	FP7K-37	Bolt	8
48 BH-7488-1046	FP7K-4096	FP7K-35	Washer	32
49 BH-7488-1047	FP7K-4098	FP7K-35.2	Flat Washer	24
50 BH-7488-1048	FP7K-4097	FP7K-35.1	Flat Washer	16
51 BH-7488-1049	FP7K-4105	FP7K-38	Nut	8
52 BH-7488-1054		FP7K-17	Lifting Cable, Top Offside Right Front RF 26' 2-1/2"	1
53 BH-7488-1055		FP7K-18	Lifting Cable, Top Main Side Left Front LF 21' 1-1/4"	1
54 BH-7488-1056		FP7K-19	Lifting Cable, Bottom Main Left Rear LR 8' 4-1/4"	1
55 BH-7488-1057		FP7K-20	Lifting Cable, Bottom Offside Right Rear RR 13' 5-1/2"	1
56 BH-7488-1058	FP7K-4085	FP7K-21	Lock Nut	4
57 BH-7488-1059	FP7K-4086	FP7K-22	Flat Washer	4
58 BH-7488-1060	FP7K-4060	FP7K-76	Locking Nut for Cable	2
59 BH-7488-1061	FP7K-4087	FP7K-25	Cover	2
60 BH-7488-1062	FP7K-4088	FP7K-26	Cover	2
61 BH-7488-1063	FP7K-4089	FP7K-26.1	Flat Washer	6
62 BH-7488-1064	FP7K-4035	FP7K-26.2	Spacer	6
63 BH-7488-1065	FP7K-4090	FP7K-26.3	Bolt	4
64 BH-7488-1066	FP7K-4099	FP7K-26.8	Lock Rod Linkage	1
65 BH-7488-1067	FP7K-4091	FP7K-26.4	Coupler Nut	1
66 BH-7488-1068	FP7K-4092	FP7K-26.5	Nut	2
67 BH-7488-1069	FP7K-4093	FP7K-26.7	Nut	2
68 BH-7488-1070	FP7K-4030	FP7K-26.6	Eye Bolt	2
69 BH-7488-1071	FP7K-4056	FP7K-03	Column with PU Bracket	1

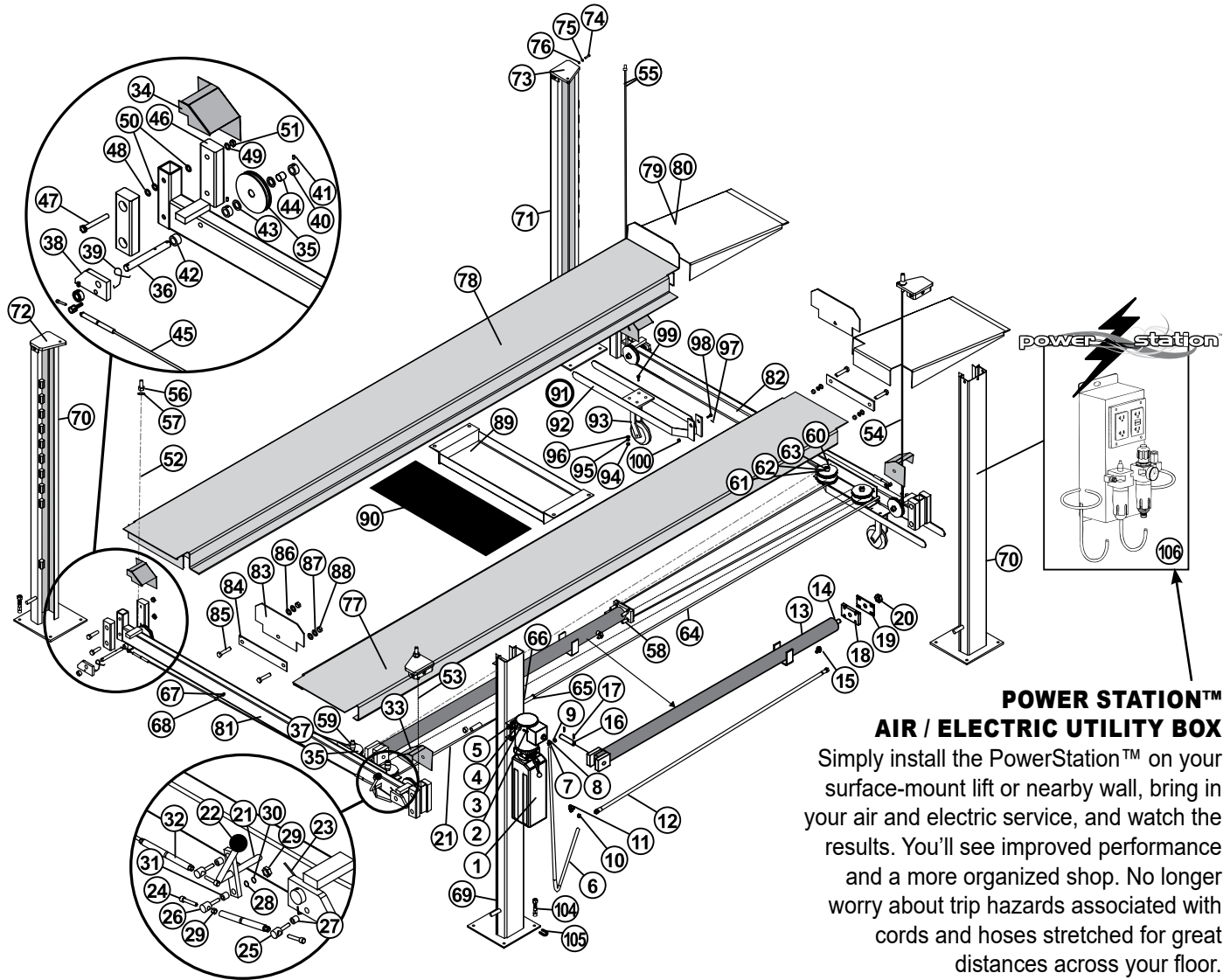
Item SVI Part #	Cross Ref #	Cross Ref #	Description	Qty
70 BH-7488-1072	FP7K-4057	FP7K-01	Column Front Offside and Rear Main	2
71 BH-7488-1073	FP7K-4058	FP7K-01	Column Rear Offside	1
72 BH-7488-1074	FP7K-4005	FP7K-02	Top Plate, LH Column	2
73 BH-7488-1075	FP7K-4006	FP7K-04	Top Plate, RH Column	2
74 BH-7488-1076	FP7K-4101	FP7K-05	Bolt	12
75 BH-7488-1077	FP7K-4102	FP7K-05.1	Flat Washer	24
76 BH-7488-1078	FP7K-4103	FP7K-05.2	Nut	12
77 BH-7488-1079	FP7K-4045	FP7K-08	Runway (Main Side)	1
78 BH-7488-1080	FP7K-4046	FP7K-06	Runway (Offside)	1
79 BH-7488-1081	FP7K-4022	FP7K-07	Approach Ramp (Steel)	2
80 BH-7488-1082	FP7K-4023	FP7K-07-ALUMINUM	Approach Ramp (Aluminum)	2
81 BH-7488-1083	FP7K-4019	FP7K-09	Crossbar - Main Side	1
82 BH-7488-1084	FP7K-4018	FP7K-09	Crossbar - Offside	1
83 BH-7488-1085	FP7K-4020	FP7K-13	Rear Tire Stop	2
83 BH-7488-1086	FP7K-4031	FP7K-13	Wheel Stop - Front	2
84 BH-7488-1087	FP7K-4021		Rear Mount	4
85 BH-7488-1088	FP7K-4104	FP7K-11	Bolt	8
86 BH-7488-1089	FP7K-4082	FP7K-14	Flat Washer	8
87 BH-7488-1090	FP7K-4083	FP7K-15	Spring Washer	8
88 BH-7488-1091	FP7K-4084	FP7K-16	Nut	8
89 BH-7488-1092	FP7K-JT12		12" Jack Tray	1
90 BH-7488-1093	FP7K-DT3	FP7K-75	Drip Tray	1
91 BH-7488-1094	FP7K-CSTR	FP7K-60	Caster Kit	
92 BH-7488-1095	FP7K-4067	FP7K-56	Caster Weldment Only (See Caster Kit BH-7488-1094)	4
93 BH-7488-1096	FP7K-4059	FP7K-54	Caster Wheel only (See Caster Kit BH-7488-1094)	4
94 BH-7488-1097	FP7K-4074	FP7K-53	Nut (See Caster Kit)	16
95 BH-7488-1098	FP7K-4075	FP7K-53.1	Spring Washer (See Caster Kit BH-7488-1094)	16
96 BH-7488-1099	FP7K-4076	FP7K-53.2	Flat Washer (See Caster Kit BH-7488-1094)	16
97 BH-7488-1100	FP7K-4072	FP7K-53.3	Cotter Pin (See Caster Kit)	4
98 BH-7488-1101	FP7K-4071	FP7K-55	Pin (See Caster Kit)	4
99 BH-7488-1102	FP7K-4073	FP7K-52	Bolt (See Caster Kit)	16
100BH-7488-1103	FP7K-4077	FP7K-57	Spring Block (See Caster Kit)	4
101BH-7488-1104	FP7K-XLT-DECK-ALUM		Aluminum Deck for FP7K-XLT (not pictured)	
102BH-7488-1105	FP7K-4070		Bracket, Aluminum Deck (not pictured)	
103BH-7488-1106	FP7K-4116		Poly Drip Tray (not pictured)	
104BH-7075-03	FP7K-3.75X5.12		Wedge Anchor Bolt	16
105BH-7512-92			Plastic Shim Assortment 150 pack (3 sizes)	
106BH-7069-K			Power Station Air/Electric Utility Box for 4-Post Lifts	1

P
a
g
e



For Model FP7K-XLT
7,000 lb. Capacity 4-Post Storage / Service Lift

DIRECTFIT™
SVI's DIRECT FIT™ BRAND



POWER STATION™
AIR / ELECTRIC UTILITY BOX
Simply install the PowerStation™ on your surface-mount lift or nearby wall, bring in your air and electric service, and watch the results. You'll see improved performance and a more organized shop. No longer worry about trip hazards associated with cords and hoses stretched for great distances across your floor.

Item SVI Part #	Cross Ref #	Cross Ref #	Description	Qty
1 BH-7006A-XX			Power Unit	1
2 BH-7488-1000	FP7K-4024	FP7K-63	Bolt, M8 x 15	4
3 BH-7488-1001	FP7K-4027	FP7K-62	Spring Washer	4
4 BH-7488-1002	FP7K-4028	FP7K-61	Washer	4
5 BH-7488-1003	FP7K-4080	FP7K-74	Nut	4
6 BH-7488-1004	FP7K-4054	FP7K-65	Hydraulic Hose (Long)	1
7 BH-7488-1005	FP7K-4040	FP7K-64	90° Hyd. Elbow Fitting (PU to Hose)	1
8 BH-7488-1006	FP7K-4053	FP7K-64.1	Hydraulic Fitting 2501-6-6	1
9 BH-7488-1007	FP7K-4079	FP7K-64.2	Bushing	1
10 BH-7488-1008	FP7K-4078	FP7K-73	Nut	1
11 BH-7488-1009	FP7K-4044	FP7K-72	Bulkhead Fitting	1
12 BH-7488-1010	FP7K-4055	FP7K-66	Hydraulic Hose (Short)	1

Item SVI Part #	Cross Ref #	Cross Ref #	Description	Qty
13 BH-7488-1011	FP7K-4047	FP7K-67	Hydraulic Cylinder	1
14 BH-7488-1012	FP7K-4066		Seal Kit FP7K/8K XLT	1
15 BH-7488-1013	FP7K-4062	FP7K-71	90° Elbow Hyd. Fitting, Main1	1
16 BH-7488-1014	FP7K-4043	FP7K-58	Cylinder Pin	1
17 BH-7488-1015	FP7K-4048	FP7K-59	Pin	2
18 BH-7488-1016	FP7K-4038	FP7K-68	Cable Retainer Block	1
19 BH-7488-1017	FP7K-4037	FP7K-69	Cable Lock Plate	1
20 BH-7488-1018	FP7K-4036	FP7K-70	Cylinder Rod Nut	1
21 BH-7488-1019	FP7K-4029	FP7K-43	Lock Release Handle	1
22 BH-7488-1020	FP7K-4068	FP7K-42	Ball Knob, Lock Release	1
23 BH-7488-1021	FP7K-4063	FP7K-44	Lock Spring, Left	2
24 BH-7488-1022	FP7K-4107	FP7K-47	Bolt	8
25 BH-7488-1023	FP7K-4111	FP7K-51	Small Shaft	4

P
a
g
e
70



For Model FP7K-XLT

7,000 lb. Capacity 4-Post Storage / Service Lift

DIRECTFIT™
SVI's DIRECT FIT™ BRAND

Item SVI Part #	Cross Ref #	Cross Ref #	Description	Qty
26 BH-7488-1024	FP7K-4112	FP7K-51.1	Small Shaft	4
27 BH-7488-1025	FP7K-4113	FP7K-51.2	Cover	4
28 BH-7488-1026	FP7K-4114	FP7K-51.3	Flat Washer	8
29 BH-7488-1027	FP7K-4109	FP7K-49	Nut	
30 BH-7488-1028	FP7K-4110	FP7K-51.4	Spring Washer	8
31 BH-7488-1029	FP7K-4108	FP7K-48	Cover	4
32 BH-7488-1030	FP7K-4025	FP7K-50	Linkage Rod - Short	
33 BH-7488-1031	FP7K-4033	FP7K-45	Sheave Cover RH	2
34 BH-7488-1032	FP7K-4032	FP7K-39	Sheave Cover LH	2
35 BH-7488-1033	FP7K-4011	FP7K-23	Cable Sheave	10
36 BH-7488-1034	FP7K-4016	FP7K-32	Shaft	4
37 BH-7488-1035	FP7K-4034	FP7K-24	Sheave Shaft	4
38 BH-7488-1036	FP7K-4015	FP7K-30	Lock Pawl	4
39 BH-7488-1037	FP7K-4014	FP7K-31	Lock Spring (Right)	2
40 BH-7488-1038	FP7K-4012	FP7K-28	Locking Collar	8
41 BH-7488-1039	FP7K-4095	FP7K-29	Bolt	12
42 BH-7488-1040	FP7K-4081	FP7K-33	Bushing	4
43 BH-7488-1041	FP7K-4106	FP7K-40	Flat Washer	12
44 BH-7488-1042	FP7K-4013	FP7K-41	Spacer	4
45 BH-7488-1043	FP7K-4115	FP7K-27	Linkage Rod - Long	2
46 BH-7488-1044	FP7K-4017	FP7K-34	Slider Block	8
47 BH-7488-1045	FP7K-4100	FP7K-37	Bolt	8
48 BH-7488-1046	FP7K-4096	FP7K-35	Washer	32
49 BH-7488-1047	FP7K-4098	FP7K-35.2	Flat Washer	24
50 BH-7488-1048	FP7K-4097	FP7K-35.1	Flat Washer	16
51 BH-7488-1049	FP7K-4105	FP7K-38	Nut	8
52 BH-7488-1050	FP7K-4051	FP7K-XLT-17	Lifting Cable, Top Offside Right Front RF 28' 10-5/8"	1
53 BH-7488-1051	FP7K-4052	FP7K-XLT-18	Lifting Cable, Top Main Side Left Front LF 23' 9-1/8"	1
54 BH-7488-1052	FP7K-4049	FP7K-XLT-19	Lifting Cable, Bottom Main Left Rear LR 9' 3-3/8"	1
55 BH-7488-1053	FP7K-4050	FP7K-XLT-20	Lifting Cable, Bottom Offside Right Rear RR 14' 5-3/4"	1
56 BH-7488-1058	FP7K-4085	FP7K-21	Lock Nut	4
57 BH-7488-1059	FP7K-4086	FP7K-22	Flat Washer	4
58 BH-7488-1060	FP7K-4060	FP7K-76	Locking Nut for Cable	
59 BH-7488-1061	FP7K-4087	FP7K-25	Cover	2
60 BH-7488-1062	FP7K-4088	FP7K-26	Cover	2
61 BH-7488-1063	FP7K-4089	FP7K-26.1	Flat Washer	6
62 BH-7488-1064	FP7K-4035	FP7K-26.2	Spacer	6
63 BH-7488-1065	FP7K-4090	FP7K-26.3	Bolt	4
64 BH-7488-1066	FP7K-4099	FP7K-26.8	Lock Rod Linkage	1
65 BH-7488-1067	FP7K-4091	FP7K-26.4	Coupler Nut	1
66 BH-7488-1068	FP7K-4092	FP7K-26.5	Nut	2
67 BH-7488-1069	FP7K-4093	FP7K-26.7	Nut	2
68 BH-7488-1070	FP7K-4030	FP7K-26.6	Eye Bolt	2
69 BH-7488-1071	FP7K-4056	FP7K-03	Column with PU Bracket	1

Item SVI Part #	Cross Ref #	Cross Ref #	Description	Qty
70 BH-7488-1072	FP7K-4057	FP7K-01	Column Front Offside and Rear Main	2
71 BH-7488-1073	FP7K-4058	FP7K-01	Column Rear Offside	1
72 BH-7488-1074	FP7K-4005	FP7K-02	Top Plate, LH Column	2
73 BH-7488-1075	FP7K-4006	FP7K-04	Top Plate, RH Column	2
74 BH-7488-1076	FP7K-4101	FP7K-05	Bolt	12
75 BH-7488-1077	FP7K-4102	FP7K-05.1	Flat Washer	24
76 BH-7488-1078	FP7K-4103	FP7K-05.2	Nut	12
77 BH-7488-1079	FP7K-4045	FP7K-08	Runway (Main Side)	1
78 BH-7488-1080	FP7K-4046	FP7K-06	Runway (Offside)	1
79 BH-7488-1081	FP7K-4022	FP7K-07	Approach Ramp (Steel)	2
80 BH-7488-1082	FP7K-4023	FP7K-07-ALUMINUM	Approach Ramp (Aluminum)	
81 BH-7488-1083	FP7K-4019	FP7K-09	Crossbar - Main Side	1
82 BH-7488-1084	FP7K-4018	FP7K-09	Crossbar - Offside	1
83 BH-7488-1085	FP7K-4020	FP7K-13	Rear Tire Stop	2
83 BH-7488-1086	FP7K-4031	FP7K-13	Wheel Stop - Front	2
84 BH-7488-1087	FP7K-4021		Rear Mount	4
85 BH-7488-1088	FP7K-4104	FP7K-11	Bolt	8
86 BH-7488-1089	FP7K-4082	FP7K-14	Flat Washer	8
87 BH-7488-1090	FP7K-4083	FP7K-15	Spring Washer	8
88 BH-7488-1091	FP7K-4084	FP7K-16	Nut	8
89 BH-7488-1092	FP7K-JT12		12" Jack Tray	1
90 BH-7488-1093	FP7K-DT3	FP7K-75	Drip Tray	
91 BH-7488-1094	FP7K-CSTR	FP7K-60	Caster Kit	
92 BH-7488-1095	FP7K-4067	FP7K-56	Caster Weldment Only (See Caster Kit BH-7488-1094)	4
93 BH-7488-1096	FP7K-4059	FP7K-54	Caster Wheel only (See Caster Kit BH-7488-1094)	4
94 BH-7488-1097	FP7K-4074	FP7K-53	Nut (See Caster Kit)	16
95 BH-7488-1098	FP7K-4075	FP7K-53.1	Spring Washer (See Caster Kit BH-7488-1094)	16
96 BH-7488-1099	FP7K-4076	FP7K-53.2	Flat Washer (See Caster Kit BH-7488-1094)	16
97 BH-7488-1100	FP7K-4072	FP7K-53.3	Cotter Pin (See Caster Kit)	
98 BH-7488-1101	FP7K-4071	FP7K-55	Pin (See Caster Kit)	4
99 BH-7488-1102	FP7K-4073	FP7K-52	Bolt (See Caster Kit)	16
100BH-7488-1103	FP7K-4077	FP7K-57	Spring Block (See Caster Kit)	4
101BH-7488-1104	FP7K-XLT-DECK-ALUM		Aluminum Deck for FP7K-XLT (not pictured)	
102BH-7488-1105	FP7K-4070		Bracket, Aluminum Deck (not pictured)	
103BH-7488-1106	FP7K-4116		Poly Drip Tray (not pictured)	
104BH-7075-03	FP7K-3.75X5.12		Wedge Anchor Bolt	16
105BH-7512-92			Plastic Shim Assortment 150 pack (3 sizes)	
106BH-7069-K			Power Station Air/Electric Utility Box for 4-Post Lifts	1

P
a
g
e

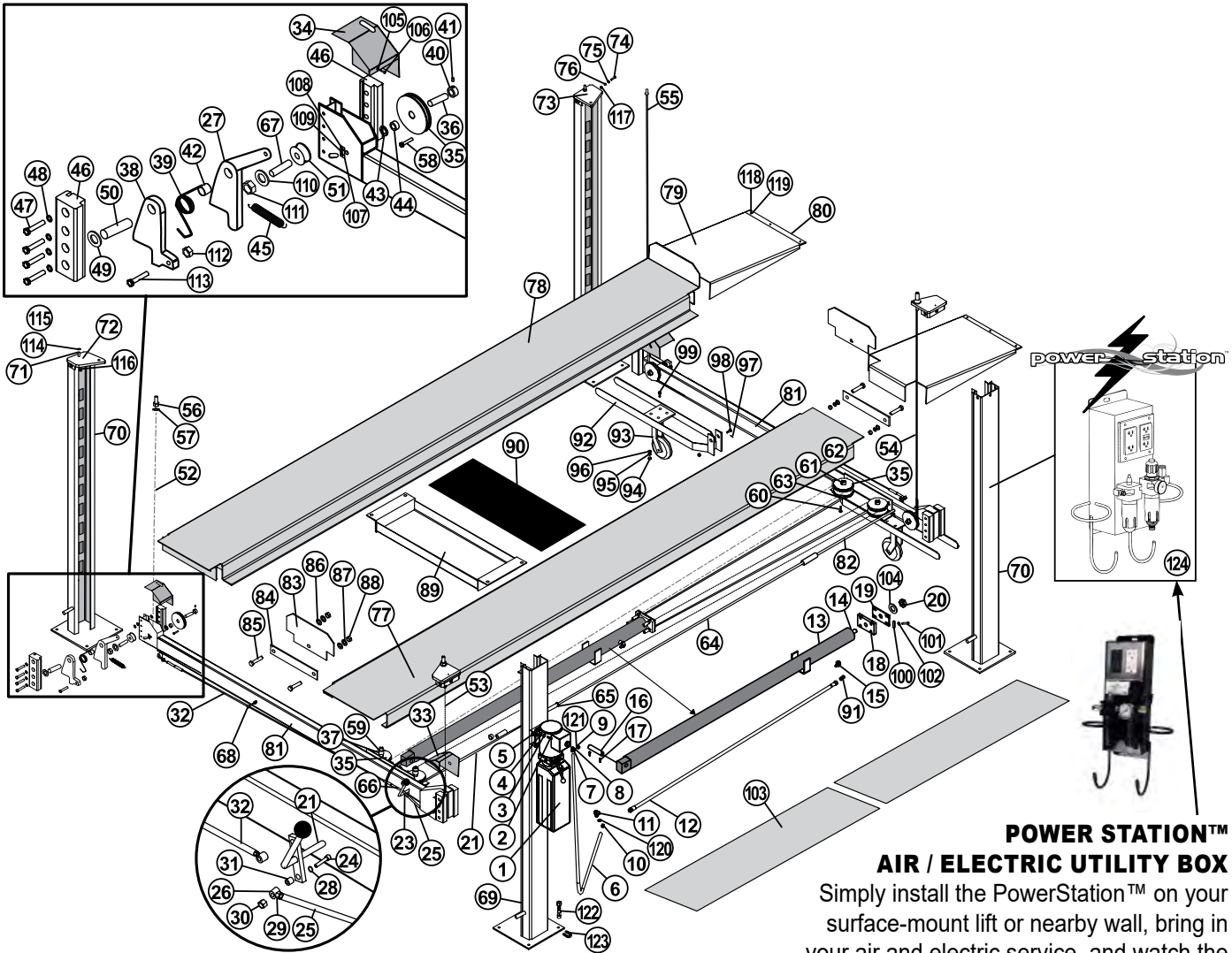


For Model FP8K-DX, FP8K-B, FP8K-DS

8,000 lb. Capacity 4-Post Lifts

DIRECTFIT™
SVI's DIRECT FIT™ BRAND

NOTE: Model FP8K-DX Storage Lift is pictured. Model FP8K-B does not include Poly Caster Kit, Drip Trays or Jack Tray. Model FP8K-DS is a Parking Lift and varies slightly from pictured.



**POWER STATION™
AIR / ELECTRIC UTILITY BOX**

Simply install the PowerStation™ on your surface-mount lift or nearby wall, bring in your air and electric service, and watch the results. You'll see improved performance and a more organized shop. No longer worry about trip hazards associated with cords and hoses stretched for great distances across your floor.

**Auto Lift Power Units
and Parts**

Call SVI today!



For Model FP8K-DX, FP8K-B, FP8K-DS

8,000 lb. Capacity 4-Post Lifts

DIRECTFIT™
SVI's DIRECT FIT™ BRAND

NOTE: Model FP8K-DX Storage Lift is pictured. Model FP8K-B does not include Poly Caster Kit, Drip Trays or Jack Tray. Model FP8K-DS is a Parking Lift and varies slightly from pictured.

Item SVI Part #	Cross Ref #	Cross Ref #	Description	Qty	Item SVI Part #	Cross Ref #	Cross Ref #	Description	Qty		
1	Request Details	PU-110V-L-K	Power Unit, 115VAC (DX)	1	43	BH-7488-1147	FP8K-DS/DX/XLT-019	GB95	Flat Washer, D24	13	
2	BH-7485-0734	FP8K-DS/DX/XLT-063	GB5781	Hex Bolt, M8x25	4	44	BH-7488-1148	FP8K-DS/DX/XLT-022	SF2518	Complex Bushing	10
3	BH-7488-1107	FP8K-DS/DX/XLT-064	GB95	Flat Washer, D8	4	45	BH-7488-1149	FP8K-DS/DX/XLT-039	TT7B-200-15	Spring	8
4	BH-7488-1108	FP8K-DS/DX/XLT-065	GB93	Lock Washer, D8	4	46	BH-7488-1150	FP8K-DS/DX/XLT-028	TT7B-200-14	Slider Block	8
5	BH-7488-1109	FP8K-DS/DX/XLT-066	GB6170	Lock Nut, M8	4	47	BH-7488-1151	FP8K-DS/DX/XLT-026	GB5781	Hex Bolt, M8x35	32
6	BH-7488-1110	FP8K-DS/DX/XLT-089	DPF4-3.2-500-11	Hose - Wire Braided, 57.67"	1	48	BH-7488-1152	FP8K-DS/DX/XLT-027	GB95	Flat Washer, D8	32
7	BH-7488-1111	FP8K-DS/DX/XLT-090	TPF4-500-05	Elbow Fitting, Power Unit	1	49	BH-7488-1153	FP8K-DS/DX/XLT-029	GB95	Flat Washer, D20	4
8	BH-7488-1112	FP8K-DS/DX/XLT-093	TPF4-500-07	Fitting, Power Unit	1	50	BH-7488-1154	FP8K-DS/DX/XLT-030	TT7B-200-06	Latch Pivot Shaft, Crossbeam	4
9	BH-7488-1113	FP8K-DS/DX/XLT-092	TPF4-500-08	Washer, Power Unit	2	51	BH-7489-1025	FP8K-DS/DX/XLT-041	TT7B-200-13N	Pulley, Slack Cable, D44	4
10	BH-7488-1114	FP8K-DS/DX/XLT-088	DPF4-3.2-500-06	Bulk Head Nut, Runway	1	52	BH-7489-1000	FP8K-DS/DX-094	TT7B-500-03A	Lifting Cable Right Front RF 26' 9-7/8"	1
11	BH-7488-1115	FP8K-DS/DX/XLT-086	DPF4-3.2-500-07	Elbow Bulk Head Fitting, Runway	1	53	BH-7489-1001	FP8K-DS/DX-095	TT7B-500-03B	Lifting Cable Left Front LF 22' 1-3/4"	1
12	BH-7488-1116	FP8K-DS/DX-085	DPF4-3.2-500-10	Hydraulic Hose	1	54	BH-7489-1002	FP8K-DS/DX-096	TT7B-500-03D	Lifting Cable Left Rear LR 8' 10-5/8"	1
13	BH-7488-1117	FP7K/8K-4039	FP8K-4039	Hydraulic Cylinder, FP7K & 8K (DS/DX)	1	55	BH-7489-1003	FP8K-DS/DX-097	TT7B-500-04C	Lifting Cable Right Rear RR 13' 6-3/8"	1
14	BH-7488-1118	FP7K/8K-4039x	FP8K-4039x	Seal Kit for Hyd. Cylinder	1	56	BH-7488-1155	FP8K-DS/DX/XLT-099	DPF4-500-12	Nylon Lock Nut, Steel Cable, M20	4
15	BH-7488-1119	FP8K-DS/DX/XLT-083	TT7B-400-03	Elbow Fitting, Cylinder	1	57	BH-7488-1156	FP8K-DS/DX/XLT-098	GB95	Flat Washer, D20	4
16	BH-7488-1120	FP8K-DS/DX/XLT-055	DPF4-3.2-500-02	Cylinder Pin	1	58	BH-7488-1157	FP8K-DS/DX/XLT-021A	GB70.1-2000 M8*40	Cable Guide Bolt, Crossbeam, M8x40	4
17	BH-7488-1121	FP8K-DS/DX/XLT-054	GB91	Cotter Pin, D5x60	2	59	BH-7488-1158	FP8K-DS/DX/XLT-048	TT7B-300-01-04	Spacer Bushing (Tall), Runway	2
18	BH-7488-1122	FP8K-DS/DX/XLT-057	DPF4-3.2-500-04	Cable Lock Plate	1	60	BH-7488-1159	FP8K-DS/DX/XLT-021B	GB70.1-2000 M8*80	Cable Guide Bolt, Mainside Runway, M8x80	6
19	BH-7488-1123	FP8K-DS/DX/XLT-058	DPF4-3.2-500-03	Cable Retainer Plate	1	61	BH-7488-1160	FP8K-DS/DX/XLT-050	TT7B-300-01-07	Spacer Bushing (Short), Runway	2
20	BH-7488-1124	FP8K-DS/DX/XLT-059	GB889	Cylinder Lock Nut, M24	1	62	BH-7488-1161	FP8K-DS/DX/XLT-049A	TT7B-300-01-05A	Sheave Shaft-GZ (Long), Runway	2
21	BH-7488-1125	FP8K-DS/DX-072	DPF4-3.2-400-01-00	Lock Release Handle	1	63	BH-7488-1162	FP8K-DS/DX/XLT-049B	GB1155-89 D8x10	Grease Zerk, D8x10	8
22	BH-7488-1126	FP8K-DS/DX/XLT-071	FP8K-DS-071	Plastic Knob, Handle	1	64	BH-7488-1163	FP8K-DS/DX/XLT-075	DPF4-3.2-400-11	Linkage Rod-Long, Runway	1
23	BH-7488-1127	FP8K-DS/DX/XLT-033A	TT7B-200-07A	Torque Spring, LH	1	65	BH-7488-1164	FP8K-DS/DX/XLT-074	DPF4-3.2-400-03	Coupler Hex Nut	2
24	BH-7488-1128	FP8K-DS/DX/XLT-081	GB5781	Hex Bolt, M6x30	4	66	BH-7488-1165	FP8K-DS/DX/XLT-073	DPF4-3.2-400-04	Spacer	2
25	BH-7488-1129	FP8K-DS/DX/XLT-070	TT7B-500-01	Linkage Rod-Short, Crossbeam	2	67	BH-7488-1166	FP8K-DS/DX/XLT-040	TT7B-200-12-00	Lock Shaft, Slack Cable	4
26	BH-7488-1130	FP8K-DS/DX/XLT-078	SI6TK	Swivel Joint Bearing, M6	8	68	BH-7488-1167	FP8K-DS/DX/XLT-069	TT7B-500-03	Eye Bolt	2
27	BH-7488-1131	FP8K-DS/DX/XLT-036A	TT7B-200-03-00A	Locking Latch, Secondary / Slack Cable (LH)	2	69	BH-7488-1168	FP8K-DS/DX-001	TT7B-100-01-00	Main Column with PU Bracket	1
27	BH-7488-1132	FP8K-DS/DX/XLT-036B	TT7B-200-03-00B	Locking Latch, Secondary / Slack Cable (RH)	2	70	BH-7488-1169	FP8K-DS/DX-002	TT7B-100-02-00	Offside Column	3
28	BH-7488-1133	FP8K-DS/DX/XLT-080	GB96	Flat Washer, D6	4	71	BH-7488-1170	FP8K-DS/DX-005	TT7B-100-05-00	Lock Ladder	4
29	BH-7485-0853	FP8K-DS/DX/XLT-082	GB6170	Hex Nut, M6	8	72	BH-7488-1171	FP8K-DS/DX/XLT-004	TT7B-100-03-00	Top Cap B	2
30	BH-7488-1134	FP8K-DS/DX/XLT-077	GB889	Lock Nut, M6	8	73	BH-7488-1172	FP8K-DS/DX/XLT-003	TT7B-100-04-00	Top Cap A	2
31	BH-7488-1135	FP8K-DS/DX/XLT-079	DPF4-3.2-400-09	Spacer	4	74	BH-7488-1173	FP8K-DS/DX/XLT-010	GB5781	Hex Bolt, M12x35	16
32	BH-7488-1136	FP8K-DS/DX-068	TT7B-500-02	Linkage Rod-Long, Crossbeam (DS / DX)	2	75	BH-7488-1174	FP8K-DS/DX/XLT-009	GB95	Flat Washer, D12	32
33	BH-7488-1137	FP8K-DS/DX/XLT-014A	TT7B-200-09A	Cover Plate, RH	2	76	BH-7485-0859	FP8K-DS/DX/XLT-011	GB93	Spring Washer, D12	16
34	BH-7488-1138	FP8K-DS/DX/XLT-014B	TT7B-200-09B	Cover Plate, LH	2	77	BH-7488-1175	FP8K-DS/DX-051	TT7B-300-02-00	Main Side Runway 1	1
35	BH-7488-1139	FP8K-DS/DX/XLT-021	TT7B-200-08	Cable Sheave	10	78	BH-7488-1176	FP8K-DS/DX-052	TT7B-300-01-00	Offside Runway	1
36	BH-7488-1140	FP8K-DS/DX/XLT-020	TT7B-200-11NEW	Sheave Shaft-GZ, Crossbeam	4	79	BH-7488-1177	FP8K-DS/DX/XLT-053	TT-8136J-500-04-00	Approach Ramp	2
37	BH-7488-1141	FP8K-DS/DX/XLT-049	TT7B-300-01-05B	Sheave Shaft-GZ (Short), Runway (DX)	2	80	BH-7488-1178	FP8K-DS/DX/XLT-053C	TT-8136J-500-01	Ramp, Yellow Caution Metal Strip (DX)	2
38	BH-7488-1142	FP8K-DS/DX/XLT-032	TT7B-200-04	Locking Latch, Main	4						
39	BH-7488-1143	FP8K-DS/DX/XLT-033B	TT7B-200-07B	Torque Spring, RH	1						
40	BH-7488-1144	FP8K-DS/DX/XLT-017	TT7B-200-10	Locking Collar	4						
41	BH-7488-1145	FP8K-DS/DX/XLT-018	GB78	Set Screw, M8x12	4						
42	BH-7488-1146	FP8K-DS/DX/XLT-035	TT7B-200-02	Spacer Bushing, Crossbeam 4							

Continues on the following page 73



For Model FP8K-DX, FP8K-B, FP8K-DS

8,000 lb. Capacity 4-Post Lifts

DIRECTFIT™
SVI's DIRECT FIT™ BRAND

NOTE: Model FP8K-DX Storage Lift is pictured. Model FP8K-B does not include Poly Caster Kit, Drip Trays or Jack Tray. Model FP8K-DS is a Parking Lift and varies slightly from pictured.

Item SVI Part #	Cross Ref #	Cross Ref #	Description	Qty
81	BH-7488-1179	FP8K-DS/DX-067	TT7B-200-01-00 Crossbeam	2
82	BH-7488-1180	FP8K-DS/DX/XLT-076	DPF4-400-02-00 Linkage Lock Rod 'T', Runway	1
83	BH-7488-1181	FP8K-DS/DX/XLT-043	DPF4-3.2-300-06 Wheel Stop Plate	4
84	BH-7488-1182	FP8K-DS/DX/XLT-042	DPF4-3.2-300-07-00 Mount Bracket, Runway	4
85	BH-7488-1183	FP8K-DS/DX/XLT-044	GB5780 Hex Bolt, M18x100	8
86	BH-7488-1184	FP8K-DS/DX/XLT-047	GB95 Flat Washer, D18	8
87	BH-7488-1185	FP8K-DS/DX/XLT-045	GB93 Lock Washer, D18	8
88	BH-7488-1186	FP8K-DS/DX/XLT-046	GB6170 Hex Nut, M18	8
89	BH-7488-1187	FP8K-DS/DX-JT	DPF4-3.2-600-00 Jack / Tool Tray - 37"x12" (DS / DX)	1
90	BH-7488-1188	FP8K-DS/DX-DT	Drip Tray - 37"W (DS / DX)	3
91	BH-7488-1189	FP8K-DS/DX/XLT-084	TT7B-400-04-00 Throttle Valve Fitting	1
92	BH-7488-1190	FP8K-DS/DX/XLT-104	DPF4-3.2-700-01-00 Caster Bracket Frame	4
93	BH-7488-1191	FP8K-DS/DX/XLT-107	Poly Caster 6"	4
94	BH-7485-0178	FP8K-DS/DX/XLT-102	GB6170 Hex Nut, M10	16
95	BH-7485-0177	FP8K-DS/DX/XLT-101	GB93 Lock Washer, D10	16
96	BH-7488-1192	FP8K-DS/DX/XLT-103	GB95 Flat Washer, D10	16
97	BH-7488-1193	FP8K-DS/DX/XLT-105	GB91 Cotter Pin, D4x50	4
98	BH-7488-1194	FP8K-DS/DX/XLT-106	DPF4-3.2-700-02-00 Caster Bracket Pin	4
99	BH-7488-1195	FP8K-DS/DX/XLT-100	GB5783 Hex Bolt, M10x35	16
100	BH-7488-1196	FP8K-DS/DX/XLT-058A	DPF4-3.2-500-03-A Nylon Cylinder Guide	2
101	BH-7488-1197	FP8K-DS/DX/XLT-058B	GB818-2000 M6X16Screw, M6x16	4
102	BH-7488-1198	FP8K-DS/DX/XLT-058C	GB95-1985 D6 Flat Washer, D6	4
103	BH-7488-1199	FP8K-DS/DX-051A	DPF4-300-08 Plastic Drip Board (DS / DX)	2

Item SVI Part #	Cross Ref #	Cross Ref #	Description	Qty
104	BH-7488-1200	FP8K-DS/DX/XLT-060	GB95 Flat Washer, D24	1
105	BH-7488-1201	FP8K-DS/DX/XLT-015	GB93 Lock Washer, D6	24
106	BH-7485-0856	FP8K-DS/DX/XLT-016	GB818 Screw, M6x10	16
107	BH-7488-1202	FP8K-DS/DX/XLT-025	SGM-802-08 Lock Tab	8
108	BH-7488-1203	FP8K-DS/DX/XLT-023	GB93 Lock Washer, D6	8
109	BH-7488-1204	FP8K-DS/DX/XLT-024	GB818 Cross Bolt	8
110	BH-7488-1205	FP8K-DS/DX/XLT-037	GB93 Lock Washer, D8	8
111	BH-7485-0854	FP8K-DS/DX/XLT-038	GB6170 Hex Nut, M8	10
112	BH-7485-0851	FP8K-DS/DX/XLT-034	GB6170 Hex Nut, M12	8
113	BH-7488-1206	FP8K-DS/DX/XLT-031	TT7B-200-05 Bolt, Crossbeam	4
114	BH-7488-1207	FP8K-DS/DX/XLT-007	GB6175 Hex Nut, M20	4
115	BH-7488-1208	FP8K-DS/DX/XLT-008	GB95 Flat Washer, D20	24
116	BH-7488-1209	FP8K-DS/DX/XLT-006	GB41 Jam Nut, M20	4
117	BH-7488-1210	FP8K-DS/DX/XLT-012	GB41 Hex Nut, M12	16
118	BH-7488-1211	FP8K-DS/DX/XLT-053A	GB818-2000 M6X8 Screw, M6x8mm	6
119	BH-7488-1212	FP8K-DS/DX/XLT-053B	GB93-1987 D6 Lock Washer, D6	6
120	BH-7488-1213	FP8K-DS/DX/XLT-087	GB95 Flat Washer, D14	1
121	BH-7488-1214	FP8K-DS/DX/XLT-091	TPF4-500-09 Hex Nut, Power Unit	2
122	BH-7075-03	WA0.75X512-C	Wedge Anchor Bolt	16
123	BH-7512-92		Plastic Shim Assortment 150 Pack (3 sizes)	1
124	BH-7069-K		Power Station Air/Electric Utility Box	1

P
a
g
e

Auto Lift Cables and Chain Sheaves / Pulleys / Chain Rollers



Air / Hydraulic Pumps for Rolling Bridge Jacks

Options Available—Call Today!



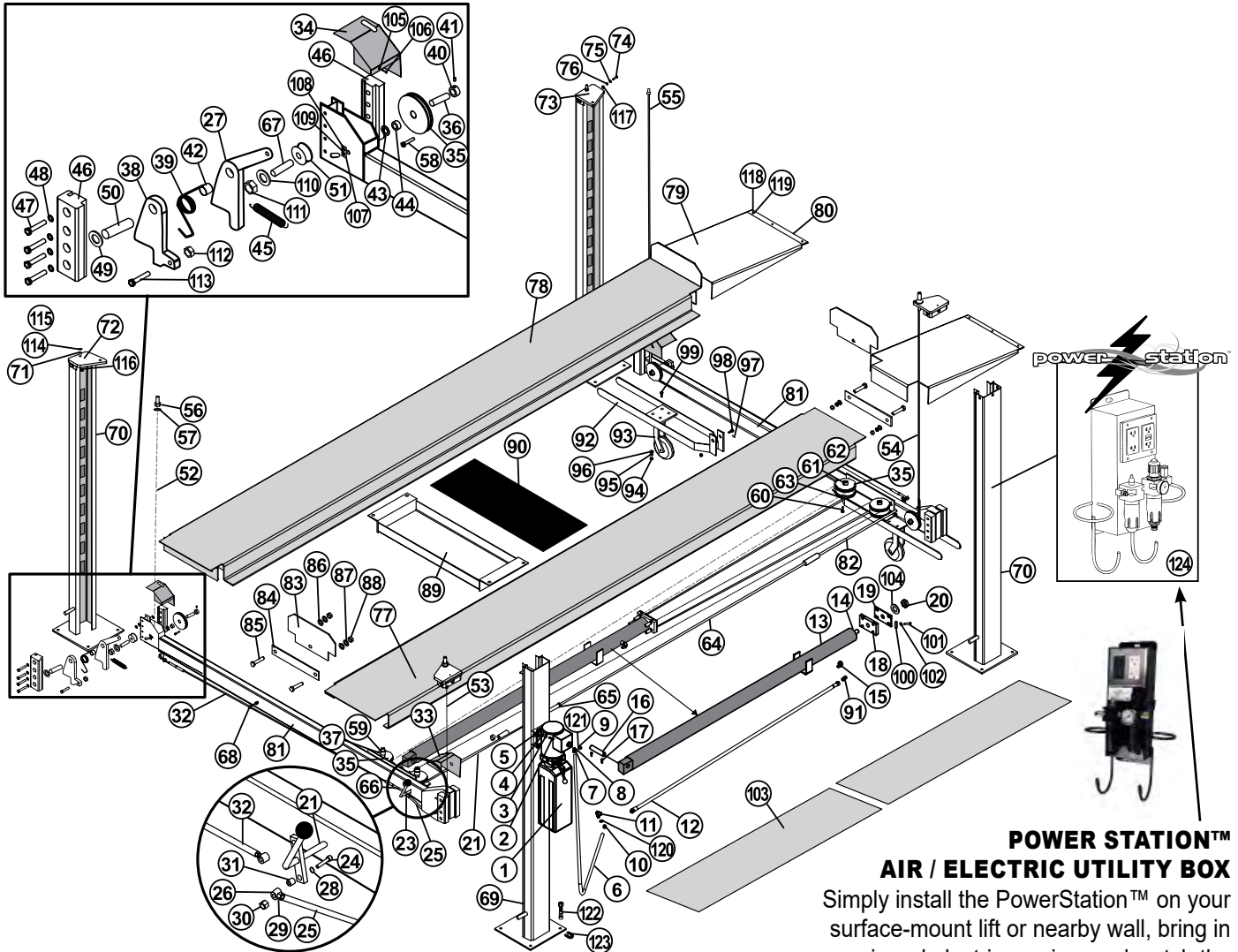


For Model FP8K-DX-XLT, FP8K-DS-XLT

8,000 lb. Capacity 4-Post Lifts

DIRECTFIT™
SVI's DIRECT FIT™ BRAND

NOTE: Model FP8K-DX-XLT Storage Lift is pictured. Model FP8K-DS-XLT is a Parking Lift and varies slightly from pictured.



POWER STATION™
AIR / ELECTRIC UTILITY BOX

Simply install the PowerStation™ on your surface-mount lift or nearby wall, bring in your air and electric service, and watch the results. You'll see improved performance and a more organized shop. No longer worry about trip hazards associated with cords and hoses stretched for great distances across your floor.



For Model FP8K-DX-XLT, FP8K-DS-XLT

8,000 lb. Capacity 4-Post Lifts

DIRECTFIT™
SVI's DIRECT FIT™ BRAND

NOTE: Model FP8K-DX-XLT Storage Lift is pictured. Model FP8K-DS-XLT is a Parking Lift and varies slightly from pictured.

Item SVI Part #	Cross Ref #	Cross Ref #	Description	Qty
1	Request Details	PU-110V-L-K	Power Unit, 115VAC (DX)	1
2	BH-7485-0734	FP8K-DS/DX/XLT-063 GB5781	Hex Bolt, M8x25	4
3	BH-7488-1107	FP8K-DS/DX/XLT-064 GB95	Flat Washer, D8	4
4	BH-7488-1108	FP8K-DS/DX/XLT-065 GB93	Lock Washer, D8	4
5	BH-7488-1109	FP8K-DS/DX/XLT-066 GB6170	Lock Nut, M8	4
6	BH-7488-1110	FP8K-DS/DX/XLT-089 DPF4-3.2-500-11	Hose - Wire Braided, 57.67"	1
7	BH-7488-1111	FP8K-DS/DX/XLT-090 TPF4-500-05	Elbow Fitting, Power Unit	1
8	BH-7488-1112	FP8K-DS/DX/XLT-093 TPF4-500-07	Fitting, Power Unit	1
9	BH-7488-1113	FP8K-DS/DX/XLT-092 TPF4-500-08	Washer, Power Unit	2
10	BH-7488-1114	FP8K-DS/DX/XLT-088 DPF4-3.2-500-06	Bulk Head Nut, Runway	1
11	BH-7488-1115	FP8K-DS/DX/XLT-086 DPF4-3.2-500-07	Elbow Bulk Head Fitting, Runway	1
12	BH-7488-1226	FP8K-DS/DX-XLT-085 DPF4-3.2-500-10K	Hydraulic Hose	1
13	BH-7488-1011	FP7K/8K-4047	Hydraulic Cylinder, FP7K & 8K (DS/DX-XLT)	1
14	BH-7488-1012	FP7K/8K-4047x	Seal Kit for Hyd. Cylinder	1
15	BH-7488-1119	FP8K-DS/DX/XLT-083 TT7B-400-03	Elbow Fitting, Cylinder	1
16	BH-7488-1120	FP8K-DS/DX/XLT-055 DPF4-3.2-500-02	Cylinder Pin	1
17	BH-7488-1121	FP8K-DS/DX/XLT-054 GB91	Cotter Pin, D5x60	2
18	BH-7488-1122	FP8K-DS/DX/XLT-057 DPF4-3.2-500-04	Cable Lock Plate	1
19	BH-7488-1123	FP8K-DS/DX/XLT-058 DPF4-3.2-500-03	Cable Retainer Plate	1
20	BH-7488-1124	FP8K-DS/DX/XLT-059 GB889	Cylinder Lock Nut, M24	1
21	BH-7488-1225	FP8K-DS/DX-XLT-072 DPF4-3.2-400-01-00K	Lock Release Handle	1
22	BH-7488-1126	FP8K-DS/DX/XLT-071 FP8K-DS-071	Plastic Knob, Handle	1
23	BH-7488-1127	FP8K-DS/DX/XLT-033A TT7B-200-07A	Torque Spring, LH	1
24	BH-7488-1128	FP8K-DS/DX/XLT-081 GB5781	Hex Bolt, M6x30	4
25	BH-7488-1129	FP8K-DS/DX/XLT-070 TT7B-500-01	Linkage Rod-Short, Crossbeam	2
26	BH-7488-1130	FP8K-DS/DX/XLT-078 SI6TK	Swivel Joint Bearing End, M68	1
27	BH-7488-1131	FP8K-DS/DX/XLT-036A TT7B-200-03-00A	Locking Latch, Secondary / Slack Cable (LH)	2
27	BH-7488-1132	FP8K-DS/DX/XLT-036B TT7B-200-03-00B	Locking Latch, Secondary / Slack Cable (RH)	2
28	BH-7488-1133	FP8K-DS/DX/XLT-080 GB96	Flat Washer, D6	4
29	BH-7485-0853	FP8K-DS/DX/XLT-082 GB6170	Hex Nut, M6	8
30	BH-7488-1134	FP8K-DS/DX/XLT-077 GB889	Lock Nut, M6	8
31	BH-7488-1135	FP8K-DS/DX/XLT-079 DPF4-3.2-400-09	Spacer	4
32	BH-7488-1224	FP8K-DS/DX-XLT-068 TT-8138-500-02	Linkage Rod-Long, Crossbeam	2
33	BH-7488-1137	FP8K-DS/DX/XLT-014A TT7B-200-09A	Cover Plate, RH	2
34	BH-7488-1138	FP8K-DS/DX/XLT-014B TT7B-200-09B	Cover Plate, LH	2
35	BH-7488-1139	FP8K-DS/DX/XLT-021 TT7B-200-08	Cable Sheave	10
36	BH-7488-1140	FP8K-DS/DX/XLT-020 TT7B-200-11NEW	Sheave Shaft-GZ, Crossbeam	4
37	BH-7488-1141	FP8K-DS/DX/XLT-049 TT7B-300-01-05B	Sheave Shaft-GZ (Short), Runway (DX)	2
38	BH-7488-1142	FP8K-DS/DX/XLT-032 TT7B-200-04	Locking Latch, Main	4
39	BH-7488-1143	FP8K-DS/DX/XLT-033B TT7B-200-07B	Torque Spring, RH	1
40	BH-7488-1144	FP8K-DS/DX/XLT-017 TT7B-200-10	Locking Collar	4
41	BH-7488-1145	FP8K-DS/DX/XLT-018 GB78	Set Screw, M8x12	4
42	BH-7488-1146	FP8K-DS/DX/XLT-035 TT7B-200-02	Spacer Bushing, Crossbeam	4

Item SVI Part #	Cross Ref #	Cross Ref #	Description	Qty
43	BH-7488-1147	FP8K-DS/DX/XLT-019 GB95	Flat Washer, D24	13
44	BH-7488-1148	FP8K-DS/DX/XLT-022 SF2518	Complex Bushing	10
45	BH-7488-1149	FP8K-DS/DX/XLT-039 TT7B-200-15	Spring	8
46	BH-7488-1150	FP8K-DS/DX/XLT-028 TT7B-200-14	Slider Block	8
47	BH-7488-1151	FP8K-DS/DX/XLT-026 GB5781	Hex Bolt, M8x35	32
48	BH-7488-1152	FP8K-DS/DX/XLT-027 GB95	Flat Washer, D8	32
49	BH-7488-1153	FP8K-DS/DX/XLT-029 GB95	Flat Washer, D20	4
50	BH-7488-1154	FP8K-DS/DX/XLT-030 TT7B-200-06	Latch Pivot Shaft, Crossbeam	4
51	BH-7489-1025	FP8K-DS/DX/XLT-041 TT7B-200-13N	Pulley, Slack Cable, D44	4
52	BH-7488-1227	FP8K-DS/DX-XLT-094 TT-8138-500-03A	Lifting Cable Right Front RF 29' 1/2"	1
53	BH-7488-1228	FP8K-DS/DX-XLT-095 TT-8138-500-03B	Lifting Cable Left Front LF 24' 1-1/4"	1
54	BH-7488-1229	FP8K-DS/DX-XLT-096 TT-8138-500-03D	Lifting Cable Left Rear LR 9' 7"	1
55	BH-7488-1230	FP8K-DS/DX-XLT-097 TT-8138-500-04C	Lifting Cable Right Rear RR 14' 9"	1
56	BH-7488-1155	FP8K-DS/DX/XLT-099 DPF4-500-12	Nylon Lock Nut, Steel Cable, M20	4
57	BH-7488-1156	FP8K-DS/DX/XLT-098 GB95	Flat Washer, D20	4
58	BH-7488-1157	FP8K-DS/DX/XLT-021A GB70.1-2000 M8*40	Cable Guide Bolt, Crossbeam, M8x40	4
59	BH-7488-1158	FP8K-DS/DX/XLT-048 TT7B-300-01-04	Spacer Bushing (Tall), Runway	2
60	BH-7488-1159	FP8K-DS/DX/XLT-021B GB70.1-2000 M8*80	Cable Guide Bolt, Mainside Runway, M8x80	6
61	BH-7488-1160	FP8K-DS/DX/XLT-050 TT7B-300-01-07	Spacer Bushing (Short), Runway	2
62	BH-7488-1161	FP8K-DS/DX/XLT-049A TT7B-300-01-05A	Sheave Shaft-GZ (Long), Runway	2
63	BH-7488-1162	FP8K-DS/DX/XLT-049B GB1155-89 D8X10	Grease Zerk, D8x10	8
64	BH-7488-1163	FP8K-DS/DX/XLT-075 DPF4-3.2-400-11	Linkage Rod-Long, Runway	1
65	BH-7488-1164	FP8K-DS/DX/XLT-074 DPF4-3.2-400-03	Coupler Hex Nut	2
66	BH-7488-1165	FP8K-DS/DX/XLT-073 DPF4-3.2-400-04	Spacer	2
67	BH-7488-1166	FP8K-DS/DX/XLT-040 TT7B-200-12-00	Lock Shaft, Slack Cable	4
68	BH-7488-1167	FP8K-DS/DX/XLT-069 TT7B-500-03	Eye Bolt	2
69	BH-7488-1215	FP8K-DS/DX-XLT-001 TT-8138-100-01-00	Main Column with PU Bracket	1
70	BH-7488-1216	FP8K-DS/DX-XLT-002 TT-8138-100-02-00	Offside Column	3
71	BH-7488-1217	FP8K-DS/DX-XLT-005 TT-8138-100-05-00	Lock Ladder	4
72	BH-7488-1171	FP8K-DS/DX/XLT-004 TT7B-100-03-00	Top Cap B	2
73	BH-7488-1172	FP8K-DS/DX/XLT-003 TT7B-100-04-00	Top Cap A	2
74	BH-7488-1173	FP8K-DS/DX/XLT-010 GB5781	Hex Bolt, M12x35	16
75	BH-7488-1174	FP8K-DS/DX/XLT-009 GB95	Flat Washer, D12	32
76	BH-7485-0859	FP8K-DS/DX/XLT-011 GB93	Spring Washer, D12	16
77	BH-7488-1220	FP8K-DS/DX-XLT-051 TT-8138-300-02-00	Main Side Runway	1
78	BH-7488-1221	FP8K-DS/DX-XLT-052 TT-8138-300-01-00	Offside Runway	1
79	BH-7488-1177	FP8K-DS/DX/XLT-053 TT-8136J-500-04-00	Approach Ramp	2
80	BH-7488-1178	FP8K-DS/DX/XLT-053C TT-8136J-500-01	Ramp, Yellow Caution Metal Strip (DX)	2

Continues on the following page



For Model FP8K-DX-XLT, FP8K-DS-XLT

8,000 lb. Capacity 4-Post Lifts

DIRECTFIT™
SVI's DIRECT FIT™ BRAND

NOTE: Model FP8K-DX-XLT Storage Lift is pictured. Model FP8K-DS-XLT is a Parking Lift and varies slightly from pictured.

Item SVI Part #	Cross Ref #	Cross Ref #	Description	Qty
81	BH-7488-1223	FP8K-DS/DX-XLT-067	TT-8138-200-01-00 Crossbeam	2
82	BH-7488-1180	FP8K-DS/DX/XLT-076	DPF4-400-02-00 Linkage Lock Rod 'T', Runway	1
83	BH-7488-1181	FP8K-DS/DX/XLT-043	DPF4-3.2-300-06 Wheel Stop Plate	4
84	BH-7488-1182	FP8K-DS/DX/XLT-042	DPF4-3.2-300-07-00 Mount Bracket, Runway	4
85	BH-7488-1183	FP8K-DS/DX/XLT-044	GB5780 Hex Bolt, M18x100	8
86	BH-7488-1184	FP8K-DS/DX/XLT-047	GB95 Flat Washer, D18	8
87	BH-7488-1185	FP8K-DS/DX/XLT-045	GB93 Lock Washer, D18	8
88	BH-7488-1186	FP8K-DS/DX/XLT-046	GB6170 Hex Nut, M18	8
89	BH-7488-1222	FP8K-DS/DX-XLT-JT	DPF4-3.2-600-00T Jack / Tool Tray 42"x12"	1
90	BH-7488-1219	FP8K-DS/DX-XLT-DT	Drip Tray 42"W	3
91	BH-7488-1189	FP8K-DS/DX/XLT-084	TT7B-400-04-00 Throttle Valve Fitting	1
92	BH-7488-1190	FP8K-DS/DX/XLT-104	DPF4-3.2-700-01-00 Caster Bracket Frame	4
93	BH-7488-1191	FP8K-DS/DX/XLT-107	Poly Caster 6"	4
94	BH-7485-0178	FP8K-DS/DX/XLT-102	GB6170 Hex Nut, M10	16
95	BH-7485-0177	FP8K-DS/DX/XLT-101	GB93 Lock Washer, D10	16
96	BH-7488-1192	FP8K-DS/DX/XLT-103	GB95 Flat Washer, D10	16
97	BH-7488-1193	FP8K-DS/DX/XLT-105	GB91 Cotter Pin, D4x50	4
98	BH-7488-1194	FP8K-DS/DX/XLT-106	DPF4-3.2-700-02-00 Caster Bracket Pin	4
99	BH-7488-1195	FP8K-DS/DX/XLT-100	GB5783 Hex Bolt, M10x35	16
100	BH-7488-1196	FP8K-DS/DX/XLT-058A	DPF4-3.2-500-03-A Nylon Cylinder Guide	2
101	BH-7488-1197	FP8K-DS/DX/XLT-058B	GB818-2000 M6X16 Screw, M6x16	4
102	BH-7488-1198	FP8K-DS/DX/XLT-058C	GB95-1985 D6 Flat Washer, D6	4
103	BH-7488-1218	FP8K-DS/DX-XLT-051A	DPF4-300-08K Plastic Drip Board (DS / DX) 2	

Item SVI Part #	Cross Ref #	Cross Ref #	Description	Qty
104	BH-7488-1200	FP8K-DS/DX/XLT-060	GB95 Flat Washer, D24	1
105	BH-7488-1201	FP8K-DS/DX/XLT-015	GB93 Lock Washer, D6	24
106	BH-7485-0856	FP8K-DS/DX/XLT-016	GB818 Screw, M6x10	16
107	BH-7488-1202	FP8K-DS/DX/XLT-025	SGM-802-08 Lock Tab	8
108	BH-7488-1203	FP8K-DS/DX/XLT-023	GB93 Lock Washer, D6	8
109	BH-7488-1204	FP8K-DS/DX/XLT-024	GB818 Cross Bolt	8
110	BH-7488-1205	FP8K-DS/DX/XLT-037	GB93 Lock Washer, D8	8
111	BH-7485-0854	FP8K-DS/DX/XLT-038	GB6170 Hex Nut, M8	10
112	BH-7485-0851	FP8K-DS/DX/XLT-034	GB6170 Hex Nut, M12	8
113	BH-7488-1206	FP8K-DS/DX/XLT-031	TT7B-200-05 Bolt, Crossbeam	4
114	BH-7488-1207	FP8K-DS/DX/XLT-007	GB6175 Hex Nut, M20	4
115	BH-7488-1208	FP8K-DS/DX/XLT-008	GB95 Flat Washer, D20	24
116	BH-7488-1209	FP8K-DS/DX/XLT-006	GB41 Jam Nut, M20	4
117	BH-7488-1210	FP8K-DS/DX/XLT-012	GB41 Hex Nut, M12	16
118	BH-7488-1211	FP8K-DS/DX/XLT-053A	GB818-2000 M6X8 Screw, M6x8mm	6
119	BH-7488-1212	FP8K-DS/DX/XLT-053B	GB93-1987 D6 Lock Washer, D6	6
120	BH-7488-1213	FP8K-DS/DX/XLT-087	GB95 Flat Washer, D14	1
121	BH-7488-1214	FP8K-DS/DX/XLT-091	TPF4-500-09 Hex Nut, Power Unit	2
122	BH-7075-03	WA0.75X512-C	Wedge Anchor Bolt	16
123	BH-7512-92		Plastic Shim Assortment 150 Pack (3 sizes)	1
124	BH-7069-K		Power Station Air/Electric Utility Box	1

Auto Lift Cables and Chain Sheaves / Pulleys / Chain Rollers



Auto Lift Power Units and Parts

Call SVI today!

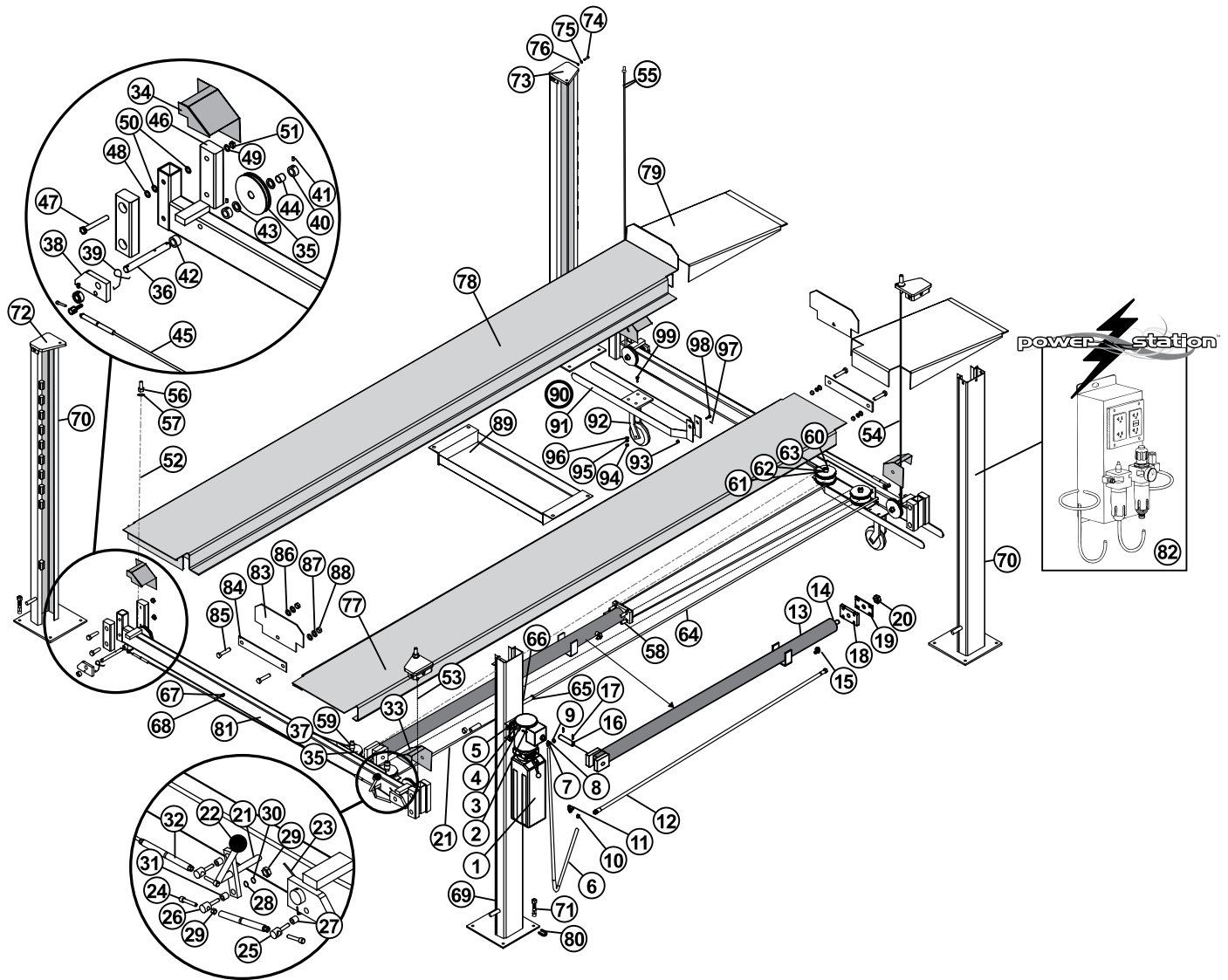


P
a
g
e



For Model FP9K
9,000 lb. Capacity 4-Post Lift

DIRECTFIT™
SVI's DIRECT FIT™ BRAND



Item	SVI Part #	Cross Ref #	Description	Qty
1	Request Details		Power Unit	1
2	BH-7488-1231	FP9K-63	Bolt, M8 x 15	4
3	BH-7488-1232	FP9K-62	Spring Washer	4
4	BH-7488-1233	FP9K-61	Washer	8
5	BH-7488-1234	FP9K-74	Nut	4
6	BH-7488-1235	FP9K-65	Hydraulic Hose (Long)	1
7	BH-7488-1236	FP9K-64	90° Hyd. Elbow Fitting (PU to Hose)	1
8	BH-7488-1237	FP9K-64.1	Hydraulic Fitting 2501-6-6	1
9	BH-7488-1238	FP9K-64.2	Bushing	1
10	BH-7488-1239	FP9K-73	Nut	1

Item	SVI Part #	Cross Ref #	Description	Qty
11	BH-7488-1240	FP9K-72	Bulkhead Fitting	1
12	BH-7488-1241	FP9K-66	Hydraulic Hose (Short)	1
13	BH-7488-1242	FP9K-67	Hydraulic Cylinder FP9K	1
14	BH-7488-1243	FP9K-67x	Seal Kit FP9K	1
15	BH-7488-1244	FP9K-71	90° Elbow Hyd. Fitting, Main	1
16	BH-7488-1245	FP9K-58	Cylinder Pin	1
17	BH-7488-1246	FP9K-59	Pin	2
18	BH-7488-1247	FP9K-68	Cable Retainer Block	1
19	BH-7488-1248	FP9K-69	Cable Lock Plate	1
20	BH-7488-1249	FP9K-70	Cylinder Rod Nut	1
21	BH-7488-1250	FP9K-43	Lock Release Handle	1

P
a
g
e



For Model FP9K
9,000 lb. Capacity 4-Post Lift

DIRECTFIT™
SVI's DIRECT FIT™ BRAND

Item	SVI Part #	Cross Ref #	Description	Qty
22	BH-7488-1251	FP9K-42	Ball Knob, Lock Release	1
23	BH-7488-1252	FP9K-44	Lock Spring, Left	2
24	BH-7488-1253	FP9K-47	Bolt	8
25	BH-7488-1254	FP9K-51	Small Shaft	4
26	BH-7488-1255	FP9K-51.1	Small Shaft	4
27	BH-7488-1256	FP9K-51.2	Cover	4
28	BH-7488-1257	FP9K-51.3	Flat Washer	8
29	BH-7488-1258	FP9K-49	Nut	
30	BH-7488-1259	FP9K-51.4	Spring Washer	8
31	BH-7488-1260	FP9K-48	Cover	4
32	BH-7488-1261	FP9K-50	Linkage Rod - Short	
33	BH-7488-1262	FP9K-45	Sheave Cover RH	2
34	BH-7488-1263	FP9K-39	Sheave Cover LH	2
35	BH-7488-1264	FP9K-23	Cable Sheave	10
36	BH-7488-1265	FP9K-32	Shaft	4
37	BH-7488-1266	FP9K-24	Sheave Shaft	4
38	BH-7488-1267	FP9K-30	Lock Pawl	4
39	BH-7488-1268	FP9K-31	Lock Spring (Right)	2
40	BH-7488-1269	FP9K-28	Locking Collar	8
41	BH-7488-1270	FP9K-29	Bolt	12
42	BH-7488-1271	FP9K-33	Bushing	4
43	BH-7488-1272	FP9K-40	Flat Washer	12
44	BH-7488-1273	FP9K-41	Spacer	4
45	BH-7488-1274	FP9K-27	Linkage Rod - Long	2
46	BH-7488-1275	FP9K-34	Slider Block	8
47	BH-7488-1276	FP9K-37	Bolt	8
48	BH-7488-1277	FP9K-35	Washer	32
49	BH-7488-1278	FP9K-35.2	Flat Washer	24
50	BH-7488-1279	FP9K-35.1	Flat Washer	16
51	BH-7488-1280	FP9K-38	Nut	8
52	BH-7488-1281	FP9K-17	Lifting Cable, Top Offside	1
53	BH-7488-1282	FP9K-18	Lifting Cable, Top Main Side	1
54	BH-7488-1283	FP9K-19	Lifting Cable, Bottom Main Side	1
55	BH-7488-1284	FP9K-20	Lifting Cable, Bottom Offside	1
56	BH-7488-1285	FP9K-21	Lock Nut	4
57	BH-7488-1286	FP9K-22	Flat Washer	4
58	BH-7488-1287	FP9K-76	Locking Nut for Cable	
59	BH-7488-1288	FP9K-25	Cover	2
60	BH-7488-1289	FP9K-26	Cover	2
61	BH-7488-1290	FP9K-26.1	Flat Washer	6
62	BH-7488-1291	FP9K-26.2	Bushing	6
63	BH-7488-1292	FP9K-26.3	Bolt	4
64	BH-7488-1293	FP9K-26.8	Lock Rod Linkage	1
65	BH-7488-1294	FP9K-26.4	Shaft	1
66	BH-7488-1295	FP9K-26.5	Nut	2
67	BH-7488-1296	FP9K-26.7	Nut	2
68	BH-7488-1297	FP9K-26.6	Bolt	2
69	BH-7488-1298	FP9K-03	Column	2
70	BH-7488-1299	FP9K-01	Column Front Offside & Rear Main 2	

Item	SVI Part #	Cross Ref #	Description	Qty
71	BH-7075-03	FP9K-3.75X5.12	Wedge Anchor Bolt	16
72	BH-7488-1300	FP9K-02	Top Plate, LH Column	2
73	BH-7488-1301	FP9K-04	Top Plate, RH Column	2
74	BH-7488-1302	FP9K-05	Bolt	12
75	BH-7488-1303	FP9K-05.1	Flat Washer	24
76	BH-7488-1304	FP9K-05.2	Nut	12
77	BH-7488-1305	FP9K-08	Runway (Main Side)	1
78	BH-7488-1306	FP9K-06	Runway (Offside)	1
79	BH-7488-1307	FP9K-07	Approach Ramp (Steel)	2
80	BH-7512-92		Plastic Shim Assortment 150 pack (3 sizes)	1
81	BH-7488-1308	FP9K-09	Crossbeam	2
82	BH-7069-K		Power Station Air/Electric Utility Box	1
83	BH-7488-1309	FP9K-13	Wheel Stop	4
84	BH-7488-1310	FP9K-4021	Rear Mount	4
85	BH-7488-1311	FP9K-11	Bolt	8
86	BH-7488-1312	FP9K-14	Flat Washer	8
87	BH-7488-1313	FP9K-15	Spring Washer	8
88	BH-7488-1314	FP9K-16	Nut	8
89	BH-7488-1315	FP9K-JT12	Jack / Tool Tray	1
90	BH-7488-1316	FP9K-CSTR	Caster Kit	
91	BH-7488-1317	FP9K-56	Caster Weldment Only (See Caster Kit)	4
92	BH-7488-1318	FP9K-54	Caster Wheel only (See Caster Kit)	4
93	BH-7488-1319	FP9K-57	Spring Block (See Caster Kit)	4
94	BH-7488-1320	FP9K-53	Nut (See Caster Kit)	16
95	BH-7488-1321	FP9K-53.1	Spring Washer (See Caster Kit)	16
96	BH-7488-1322	FP9K-53.2	Flat Washer (See Caster Kit)	16
97	BH-7488-1323	FP9K-53.3	Cotter Pin (See Caster Kit)	
98	BH-7488-1324	FP9K-55	Pin (See Caster Kit)	4
99	BH-7488-1325	FP9K-52	Bolt (See Caster Kit)	16

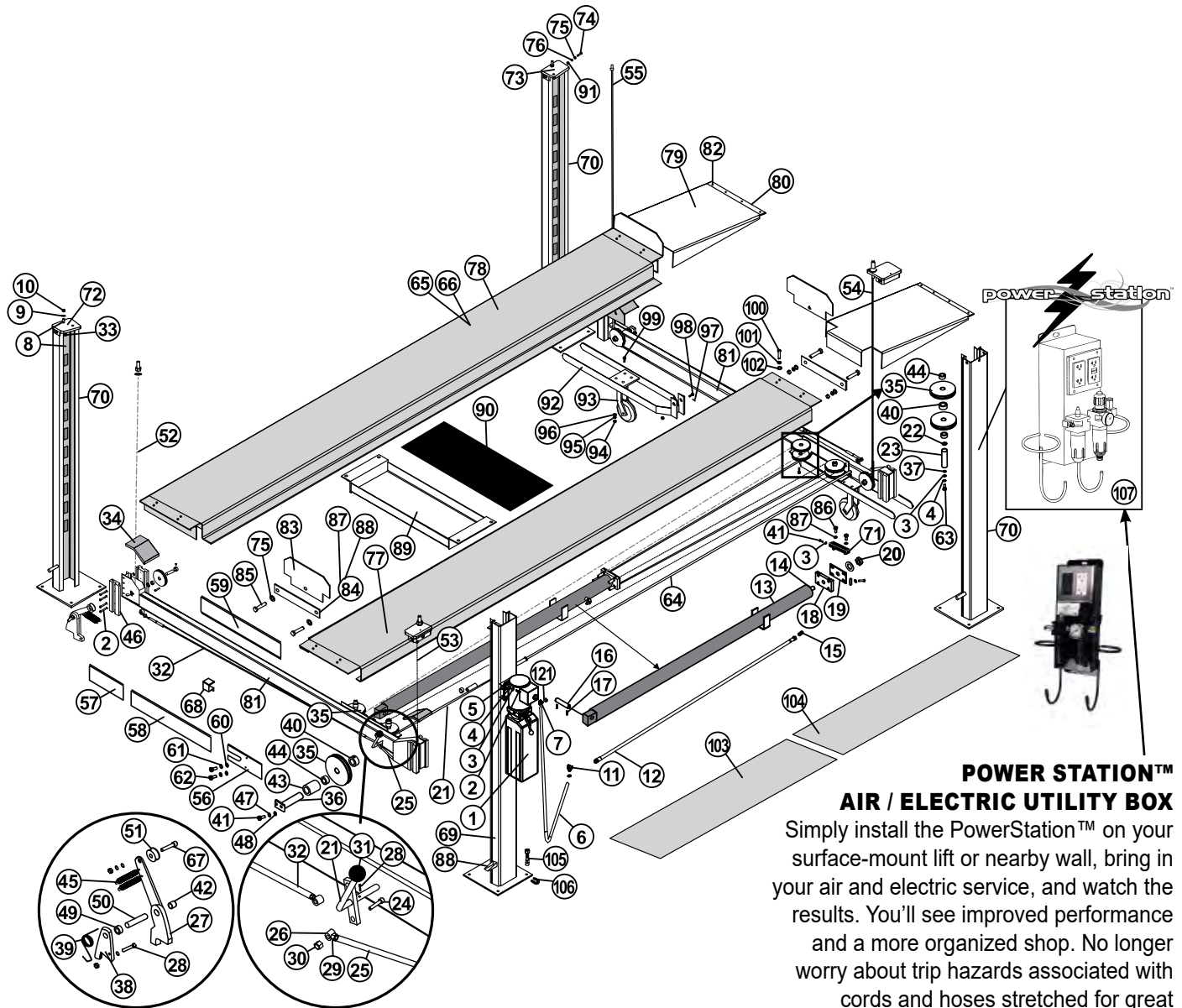




For Model FP9K-DX-XLT

9,000 lb. Capacity 4-Post Lift

DIRECTFIT™
SVI's DIRECT FIT™ BRAND



**POWER STATION™
AIR / ELECTRIC UTILITY BOX**
Simply install the PowerStation™ on your surface-mount lift or nearby wall, bring in your air and electric service, and watch the results. You'll see improved performance and a more organized shop. No longer worry about trip hazards associated with cords and hoses stretched for great distances across your floor.

P
a
g
e
80

Item SVI Part #	Cross Ref #	Cross Ref #	Description	Qty	
1	Request Details	PU-110V-L-K	Power Unit 110VAC	1	
2	BH-7488-1326	FP9KDX-045	Screw, M8x30mm	36	
3	BH-7488-1327	FP9KDX-033	Flat Washer, M8	8	
4	BH-7488-1328	FP9KDX-034	Lock Washer, M8	8	
5	BH-7488-1329	FP9KDX-046	Nut, M8	4	
6	BH-7488-1330	FP9KDX-043	SY-8435T-6000-6	Hose, Wire Braided 88.58"	1
7	BH-7488-1331	FP9KDX-044	KY-8440T-6000-3	90 Hydra Fitting, PU	1
8	BH-7488-1332	FP9KDX-011	KY-8440T-1000-6	Lock Ladder	4
9	BH-7488-1333	FP9KDX-013		Flat Washer, M20	8
10	BH-7488-1334	FP9KDX-014		Nut, M20	4
11	BH-7488-1335	FP9KDX-061	P35BBD-6004	90 Hydra Fitting	1
12	BH-7488-1336	FP9KDX-060	KY-8440T-6000-2	Hose B, 78.15"	1

Item SVI Part #	Cross Ref #	Cross Ref #	Description	Qty	
13	BH-7488-1337	FP9KDX-057	KY-8440T-6000-1	Hydraulic Cylinder	1
14	BH-7488-1338	FP9KDX-057x	KY-8440T-6000-1x	Seal Kit for Hyd. Cylinder	1
15	BH-7488-1339	FP9KDX-062	KY-8440T-6000-5	Hyd Fitting, Flow Control	1
16	BH-7488-1340	FP9KDX-058	KY-8440T-3000-11	Cylinder Pin	1
17	BH-7488-1341	FP9KDX-059		Cotter Pin, M4x40mm	2
18	BH-7488-1342	FP9KDX-042	KY-8440T-3000-14	Cable Lock Plate A	1
19	BH-7488-1343	FP9KDX-041	KY-8440T-3000-17	Cable Lock Plate B	1
20	BH-7488-1344	FP9KDX-040		Piston Rod Nut, M25	2
21	BH-7488-1345	FP9KDX-075	KY-8440T-5000A	Release Handle, Short	1
22	BH-7488-1346	FP9KDX-030	KY-8440T-3000-13	Lower, Sheave Spacer	2
23	BH-7488-1347	FP9KDX-031	KY-8440T-3000-15A	Sheave Pin-A (Double)	2
23	BH-7488-1348	FP9KDX-031	KY-8440T-3000-15B	Sheave Pin-B (Single)	2



For Model FP9K-DX-XLT
9,000 lb. Capacity 4-Post Lift

DIRECTFIT™
SVI's DIRECT FIT™ BRAND

Item SVI Part #	Cross Ref #	Cross Ref #	Description	Qty	
24	BH-7488-1349	FP9KDX-079	Screw, M6x25mm	8	
25	BH-7488-1350	FP9KDX-083	KY-8440T-5000-2	Short Rod, Crossbeam	2
26	BH-7488-1351	FP9KDX-082	SY-8435T-5000-1	Swivel Joint	8
27	BH-7488-1352	FP9KDX-091	KY-8440T-2000-9	Slack Cable, Latch-B	4
28	BH-7488-1353	FP9KDX-077		Screw, M6x30mm	5
29	BH-7488-1354	FP9KDX-081		Nut, M6	8
30	BH-7488-1355	FP9KDX-078		Lock Nut, M6	13
31	BH-7488-1356	FP9KDX-076	SY-8435T-5000-10	Plastic Knob	1
32	BH-7488-1357	FP9KDX-080	KY-8440T-5000-3	Long Rod, Crossbeam	2
33	BH-7488-1358	FP9KDX-012	KY-8440T-1000-7	Jam Nut, M20x14mm	4
34	BH-7488-1359	FP9KDX-097	KY-8440T-2000-19	Cover Plate, Crossbeam	4
35	BH-7488-1360	FP9KDX-028	KY-8440T-2000-6	Cable Sheave	10
36	BH-7488-1361	FP9KDX-086	KY-8440T-2000-7	Cable Sheave Shaft	4
37	BH-7488-1362	FP9KDX-032	KY-8440T-2000-17	Locating Plate	4
38	BH-7488-1363	FP9KDX-088	KY-8440T-2000-8	Main Lock Latch - A	4
39	BH-7488-1430			Lock Release Spring	
40	BH-7488-1364		KY-8440T-3000-12	Middle, Sheave Spacer	8
41	BH-7488-1365	FP9KDX-038		Screw, M8x16mm	14
42	BH-7488-1366	FP9KDX-092	KY-8440T-2000-12-1	Latch Shaft Spacer	4
43	BH-7488-1367	FP9KDX-087	KY-8440T-2000-16	Spacer	4
44	BH-7488-1368	FP9KDX-027		Bearing	10
45	BH-7488-1369	FP9KDX-093	KY-8440T-2000-11	Spring, Slack Cable	8
46	BH-7488-1370	FP9KDX-067	KY-8440T-2000-18	Slider Block, Crossbeam	8
47	BH-7488-1371	FP9KDX-084		Lock Washer, M8	4
48	BH-7488-1372	FP9KDX-085		Flat Washer, M8	4
49	BH-7488-1373	FP9KDX-089	KY-8440T-2000-12	Middle, Position Spacer	4
50	BH-7488-1374	FP9KDX-090	KY-8440T-2000-13	Latch Shaft	4
51	BH-7488-1375	FP9KDX-095	KY-8440T-2000-14-2	Nylon Wheel, Slack Cable	4
52	BH-7488-1376	FP9KDX-098	KY-8440T-6000-4	Lifting Cable Right Front RF (374.53" x 3/8")	1
53	BH-7488-1377	FP9KDX-099	KY-8440T-6000-4	Lifting Cable Left Front LF (315.47" x 3/8")	1
54	BH-7488-1378	FP9KDX-101	KY-8440T-6000-4	Lifting Cable Left Rear LR (131.50" x 3/8")	1
55	BH-7488-1379	FP9KDX-100	KY-8440T-6000-4	Lifting Cable Right Rear RR (190.35" x 3/8")	1
56	BH-7488-1380	FP9KDX-071	KY-8440T-2000-21	Latch End Cover with Slot	1
57	BH-7488-1381	FP9KDX-070	KY-8440T-2000-20	End Cover	3
58	BH-7488-1382	FP9KDX-068	KY-8440T-2000-23	Center Cover #2	2
59	BH-7488-1383	FP9KDX-069	KY-8440T-2000-22	Center Cover #1	2
60	BH-7488-1384	FP9KDX-074		Flat Washer, M6	22
61	BH-7488-1385	FP9KDX-073		Lock Washer, M6	22
62	BH-7488-1386	FP9KDX-072		Screw, M6x12mm	22
63	BH-7488-1387	FP9KDX-035		Screw, M8x20mm	8
64	BH-7488-1388	FP9KDX-103	KY-8440T-5000B	Linkage Rod, Runway	1
65	BH-7488-1389	FP9KDX-009	KY-8440T-3000-26	Sliding Slot Plate	4

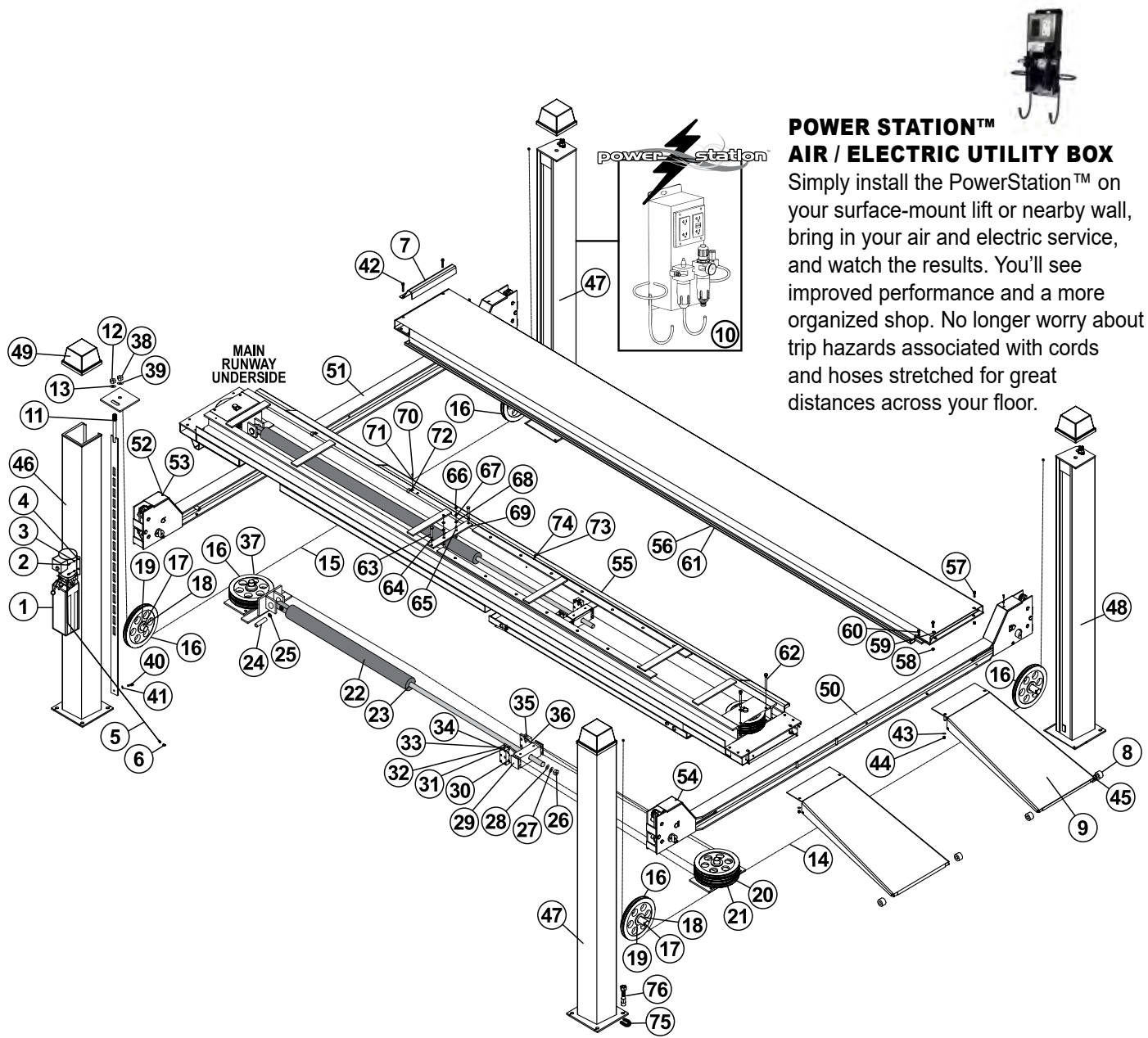
Item SVI Part #	Cross Ref #	Cross Ref #	Description	Qty	
66	BH-7488-1390	FP9KDX-009.1		Screw, M6x10mm	16
67	BH-7488-1391	FP9KDX-094	KY-8440T-2000-14-1	Latch-B Shaft	4
68	BH-7488-1392	FP9KDX-096	KY-8440T-2000-25	Rod Guide	2
69	BH-7488-1393	FP9KDX-001	KY-8440T-1000	Main Column	1
70	BH-7488-1394	FP9KDX-002	KY-8440T-1000A	Offside Column	3
71	BH-7488-1395	FP9KDX-039	KY-8440T-3000-20	Guide Block Frame	1
72	BH-7488-1396	FP9KDX-010	KY-8440T-1000-4A	Top Cap B	2
73	BH-7488-1397	FP9KDX-065	KY-8440T-1000-4	Top Cap A	2
74	BH-7488-1398	FP9KDX-018		Screw, M12x30mm	16
75	BH-7488-1399	FP9KDX-017		Flat Washer, M12	32
76	BH-7488-1400	FP9KDX-016		Lock Washer, M12	16
77	BH-7488-1401	FP9KDX-003	KY-8440T-3000	Mainside Runway	1
78	BH-7488-1402	FP9KDX-004	KY-8440T-3000A	Offside Runway	1
79	BH-7488-1403	FP9KDX-007	KY-8440T-4000	Approach Ramp	2
80	BH-7488-1404	FP9KDX-023	KY-8440T-4000-2	Safety Strip, Ramp	2
81	BH-7488-1405	FP9KDX-005	KY-8440T-2000C	Crossbeam Kit	2
81	BH-7488-1406	FP9KDX-066	KY-8440T-2000	Crossbeam	2
82	BH-7488-1407	FP9KDX-022		Screw, M5x12mm	8
83	BH-7488-1408	FP9KDX-054	KY-8440T-3000-19	Wheel Stop Plate	4
84	BH-7488-1409	FP9KDX-055	KY-8440T-3000-18	Cover Plate	4
85	BH-7488-1410	FP9KDX-056		Screw, M12x40mm	8
86	BH-7488-1411	FP9KDX-036		Screw, M8x20mm	4
87	BH-7488-1412	FP9KDX-037	KY-8440T-3000-16	Nylon Guide Block	2
88	BH-7488-1413	FP9KDX-019	KY-8440T-1000-8	Foot Step	1
89	BH-7488-1414	FP9KDX-JT	KY-8440T-3000-21	Jack / Tool Tray	1
90	BH-7488-1415	FP9KDX-DT	KY-8440T-3000-22	Drip Tray, 39"W	4
91	BH-7488-1416	FP9KDX-015		Nut, M12	16
92	BH-7488-1417	FP9KDX-006	KY-8440T-7000-2	Caster Frame	4
93	BH-7488-1418	FP9KDX-047	SY-8435T-7000-3	Poly Caster	4
94	BH-7488-1419	FP9KDX-051		Nut, M10	16
95	BH-7488-1420	FP9KDX-050		Lock Washer, M10	16
96	BH-7488-1421	FP9KDX-049		Flat Washer, M10	32
97	BH-7488-1422	FP9KDX-052	SY-8435T-7000-1-4	Hairpin Cotter Pin	4
98	BH-7488-1423	FP9KDX-053	KY-8440T-7000-1	Caster Frame Pin	4
99	BH-7488-1424	FP9KDX-048		Screw, M10x30mm	16
100	BH-7488-1425	FP9KDX-024		Bolt, M18x40mm	16
101	BH-7488-1426	FP9KDX-025		Lock Washer, M18	16
102	BH-7488-1427	FP9KDX-026		Flat Washer, M18	16
103	BH-7488-1428	FP9KDX-020	KY-8440T-3000-24	Drip Board, Cover A	1
104	BH-7488-1429	FP9KDX-021	KY-8440T-3000-25	Drip Board, Cover B	1
105	BH-7075-03	FP9KDX-102	163019-102	Wedge Anchor Bolt	16
106	BH-7512-92			Plastic Shim Assortment 150 pk (3 sizes)	1
107	BH-7069-K			Power Station™ Air / Electric Utility Box	1



For Model FP12K-K

12,000 lb. Capacity 4-Post Lift

DIRECTFIT™
SVI's DIRECT FIT™ BRAND



POWER STATION™

AIR / ELECTRIC UTILITY BOX

Simply install the PowerStation™ on your surface-mount lift or nearby wall, bring in your air and electric service, and watch the results. You'll see improved performance and a more organized shop. No longer worry about trip hazards associated with cords and hoses stretched for great distances across your floor.

Auto Lift Power Units and Parts

Call SVI today!



Auto Lift Cables and Chain Sheaves / Pulleys / Chain Rollers



P
a
g
e

82



For Model FP12K-K

12,000 lb. Capacity 4-Post Lift

DIRECTFIT™
SVI's DIRECT FIT™ BRAND

Item	SVI Part #	Cross Ref #	Description	Qty
1	Request Details	FP12K-K-064	Power Unit	1
2	BH-7488-1431	FP12K-K-061	Hex Bolt C	4
3	BH-7488-1432	FP12K-K-062	Flat Washer	4
4	BH-7488-1433	FP12K-K-063	Spring Washer	4
5	BH-7488-1434	FP12K-K-058	Hydraulic Rubber Hose	1
6	BH-7488-1435	FP12K-K-059	Hydraulic Hose Fitting	2
7	BH-7488-1436	FP12K-K-011	Front Wheel Block	2
8	BH-7488-1437	FP12K-K-010	Ramp Roller Wheel	4
9	BH-7488-1438	FP12K-K-09	Approach Ramp	2
10	BH-7069-K		Power Station Air/Electric Utility Box	1
11	BH-7488-1439	FP12K-K-015	Lock Ladder	4
12	BH-7488-1440	FP12K-K-013	Hex Nut	8
13	BH-7488-1441	FP12K-K-014	Flat Washer C	4
14	BH-7489-1100	FP12K-K-018	Cable, Lifting FP12K-K	1
15	BH-7489-1101	FP12K-K-032	Cable, Lifting FP12K-K	1
16	BH-7488-1442	FP12K-K-027	Cable Sheave #1 for Crossbeam	6
17	BH-7488-1443	FP12K-K-027.1	Sheave Pin	1
18	BH-7488-1444	FP12K-K-027.2	Bushing	6
19	BH-7488-1445	FP12K-K-027.3	Revolving Oil Cup A	2
20	BH-7488-1446	FP12K-K-017	Cable Sheave #2 for Crossbeam	1
21	BH-7488-1447	FP12K-K-016	Cable Sheave #3 for Crossbeam	2
22	BH-7488-1448	FP12K-K-025	Hydraulic Cylinder	1
23	BH-7488-1449	FP12K-K-025x	Seal Kit for Hydraulic Cylinder	1
24	BH-7488-1450	FP12K-K-031	Hydraulic Cylinder Spindle	1
25	BH-7488-1451	FP12K-K-031.1	Spindle Spring Washer A	1
26	BH-7488-1452	FP12K-K-019	Hex Nut	1
27	BH-7488-1453	FP12K-K-019.1	Flat Washer C	1
28	BH-7488-1454	FP12K-K-019.2	Snap Ring	1
29	BH-7488-1455	FP12K-K-020	Cable Stable	1
30	BH-7488-1456	FP12K-K-021	Cable Block #2	1
31	BH-7488-1457	FP12K-K-022	Cable Block #1	1
32	BH-7488-1458	FP12K-K-022.1	Inner Hex Screw	1
33	BH-7488-1459	FP12K-K-022.2	Flat Washer C	10
34	BH-7488-1460	FP12K-K-022.3	Spring Washer	10
35	BH-7488-1461	FP12K-K-023	Cable Block #3	1
36	BH-7488-1462	FP12K-K-024	Cable Block #4	1
37	BH-7488-1463	FP12K-K-026	Sheave Pin Set	1
38	BH-7488-1464	FP12K-K-028	Hex Nut	8
39	BH-7488-1465	FP12K-K-029	Flat Washer C	4

Item	SVI Part #	Cross Ref #	Description	Qty
40	BH-7488-1466	FP12K-K-030	Inner Hex Screw	4
41	BH-7488-1467	FP12K-K-030.1	Flat Washer C	4
42	BH-7488-1468	FP12K-K-011.1	Hex Bolt C	4
43	BH-7488-1469	FP12K-K-010.3	Flat Washer	4
44	BH-7488-1470	FP12K-K-010.2	Hex Nut	4
45	BH-7488-1471	FP12K-K-010.1	Spring Washer A	4
46	BH-7488-1472	FP12K-K-01	Power Unit Column	1
47	BH-7488-1473	FP12K-K-02	Column, Offside	2
48	BH-7488-1474	FP12K-K-03	Column, Right Rear	1
49	BH-7488-1475	FP12K-K-08	Column Cover	4
50	BH-7488-1476	FP12K-K-04	Crossbeam - Front	1
51	BH-7488-1477	FP12K-K-05	Crossbeam - Rear	1
52	BH-7488-1478	FP12K-K-04.2	Z Cross Bolt	4
53	BH-7488-1479	FP12K-K-04.3	Flat Washer C	4
54	BH-7488-1480	FP12K-K-04.1	Hiding Board	4
55	BH-7488-1481	FP12K-K-06	Runway, Main Side	1
56	BH-7488-1482	FP12K-K-07	Runway, Offside	1
57	BH-7488-1483	FP12K-K-07.1	Hex Bolt C	9
58	BH-7488-1484	FP12K-K-07.2	Hex Nut C	9
59	BH-7488-1485	FP12K-K-07.3	Flat Washer C	9
60	BH-7488-1486	FP12K-K-07.4	Hex Bolt C	3
61	BH-7488-1487	FP12K-K-06.1	Runway 1 Jointing Parts	1
62	BH-7488-1488	FP12K-K-06.13	Long Bolt	4
63	BH-7488-1489	FP12K-K-06.11	Hex Bolt C	2
64	BH-7488-1490	FP12K-K-06.12	Flat Washer C	4
65	BH-7488-1491	FP12K-K-06.17	U-Bolt	1
66	BH-7488-1492	FP12K-K-06.18	Hex Nut	2
67	BH-7488-1493	FP12K-K-06.19	Spring Washer	2
68	BH-7488-1494	FP12K-K-06.21	Flat Washer C	2
69	BH-7488-1495	FP12K-K-06.14	Profiled Bar Connection	1
70	BH-7488-1496	FP12K-K-06.6	Z Cross Bolt	3
71	BH-7488-1497	FP12K-K-06.5	Big Washer A and C	3
72	BH-7488-1498	FP12K-K-06.7	Pose Pump Board	3
73	BH-7488-1499	FP12K-K-06.8	Safety Transmission Pole Clasp	1
74	BH-7488-1500	FP12K-K-06.9	Hex Nut	2
75	BH-7512-92		Plastic Shim Assortment 150 pack (3 sizes)	1
76	BH-7075-03	FP12K-K-060	Wedge Anchor Bolt	16

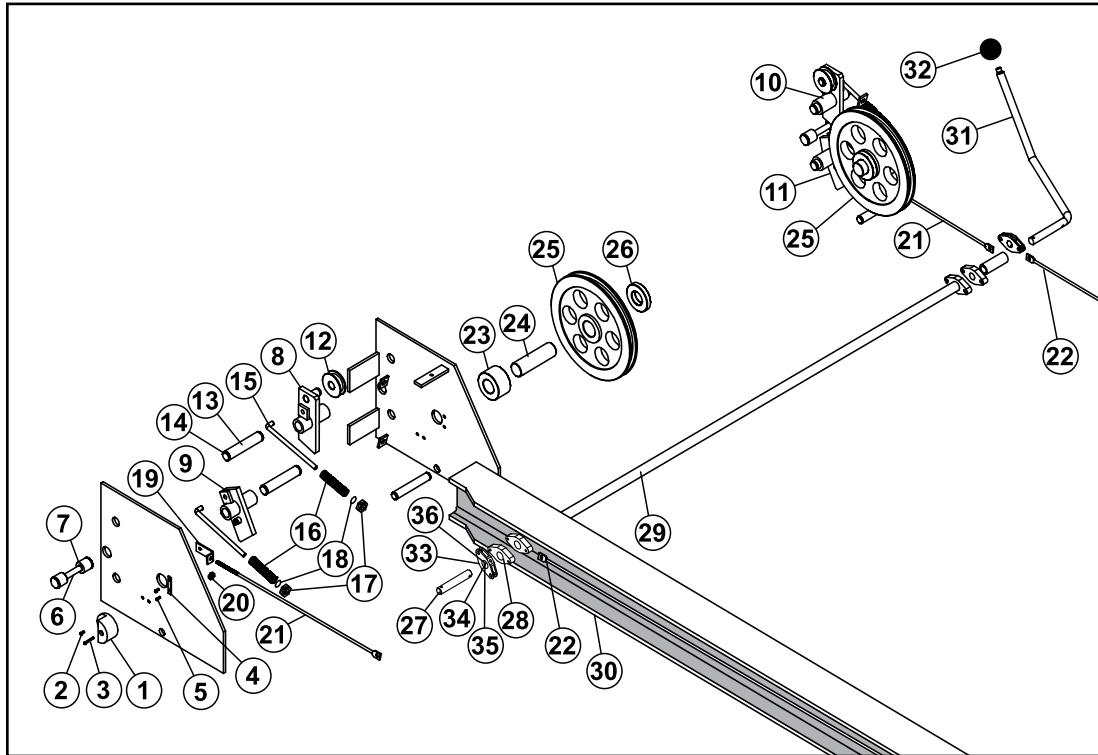
Continues on the following page



For Model FP12K-K

12,000 lb. Capacity 4-Post Lift

DIRECTFIT™
SVI's DIRECT FIT™ BRAND



Lock Parts Detail For Model FP12K-K

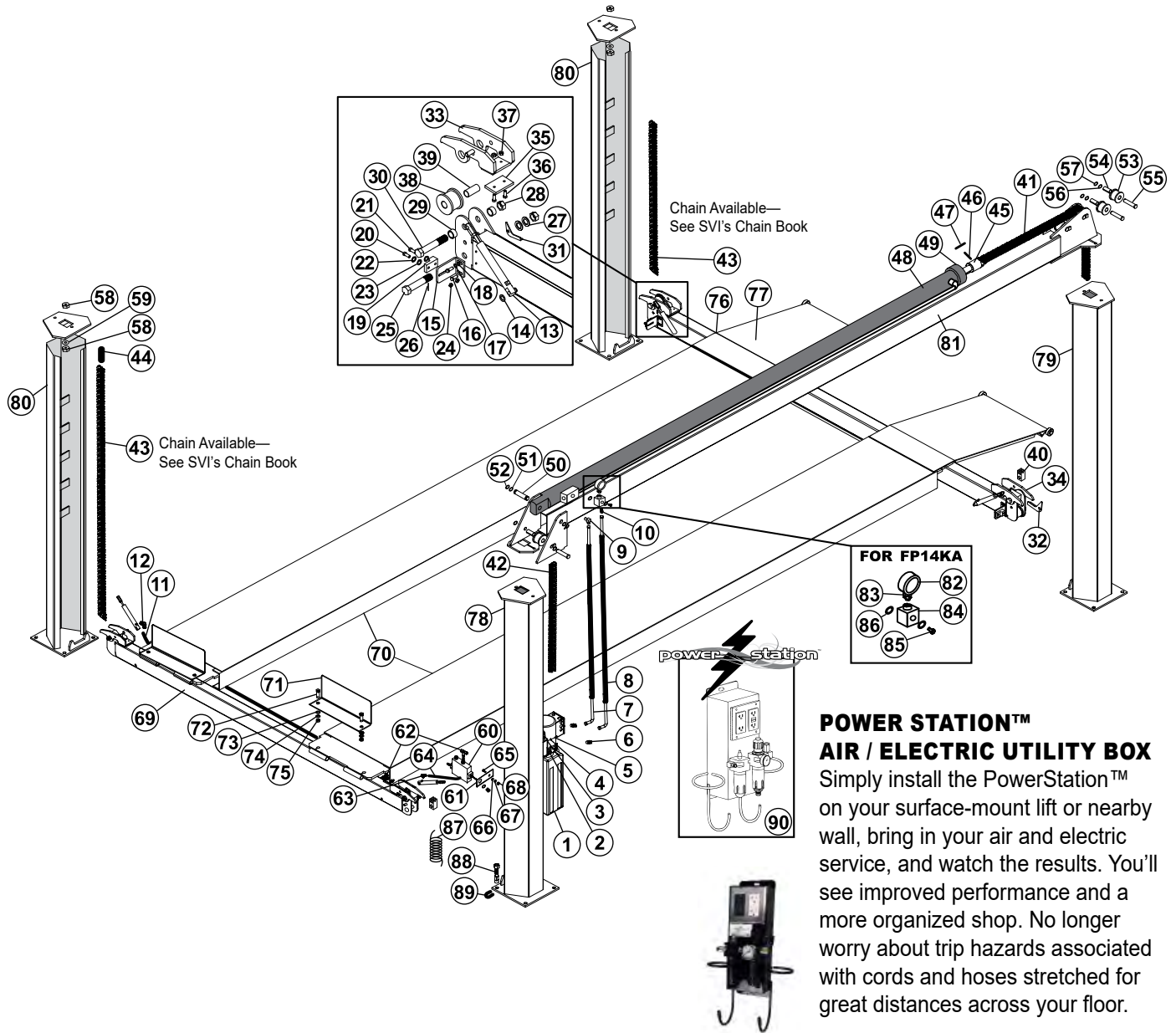
Item	SVI Part #	Cross Ref #	Description	Qty
1	BH-7488-1512	FP12K-K-041	Slider Block	8
2	BH-7488-1513	FP12K-K-041.1	Cross Bolt	8
3	BH-7488-1514	FP12K-K-041.2	Cross Bolt	8
4	BH-7488-1515	FP12K-K-041.3	Plate	4
5	BH-7488-1516	FP12K-K-041.4	Z Cross Screw	8
6	BH-7488-1507	FP12K-K-038	Pin	4
7	BH-7488-1508	FP12K-K-038.1	Spring Washer A	8
8	BH-7488-1502	FP12K-K-034	Safety Block 1	2
9	BH-7488-1505	FP12K-K-036	Handle Safety 1	2
10	BH-7488-1530	FP12K-K-055	Safety Block 2	2
11	BH-7488-1531	FP12K-K-056	Handle Safety 2	2
12	BH-7488-1501	FP12K-K-033	Lock Release Pulley	4
13	BH-7488-1503	FP12K-K-035	Pin	8
14	BH-7488-1504	FP12K-K-035.1	Spring Washer A	16
15	BH-7488-1506	FP12K-K-037	Lock Rod Bar	8
16	BH-7488-1509	FP12K-K-039	Spring	8
17	BH-7488-1510	FP12K-K-040	Hex Nut	16
18	BH-7488-1511	FP12K-K-040.1	Flat Washer	8

Item	SVI Part #	Cross Ref #	Description	Qty
19	BH-7488-1517	FP12K-K-042	Pull Block	4
20	BH-7488-1518	FP12K-K-043	Hex Nut	8
21	BH-7488-1519	FP12K-K-044	Safety Lock Rod, Short	2
22	BH-7488-1520	FP12K-K-045	Safety Lock Rod, Long	2
23	BH-7488-1525	FP12K-K-050	Spacer	4
24	BH-7488-1526	FP12K-K-051	Sheave Pin	4
25	BH-7488-1442	FP12K-K-027	Cable Sheave #1 for Crossbeam	6
26	BH-7488-1527	FP12K-K-052	Bushing	4
27	BH-7488-1521	FP12K-K-046	Safety Handle Pin	1
28	BH-7488-1522	FP12K-K-047	Connection	2
29	BH-7488-1523	FP12K-K-048	Safety Transmission Pole	1
30	BH-7488-1524	FP12K-K-049	Crossbeam Jointing	1
31	BH-7488-1529	FP12K-K-054	Safety Handle	1
32	BH-7488-1528	FP12K-K-053	Ball Knob	1
33	BH-7488-1532	FP12K-K-057	Safety Handle Pole	2
34	BH-7488-1533	FP12K-K-057.1	Inner Hex Screw	4
35	BH-7488-1534	FP12K-K-057.2	Spring Washer	8
36	BH-7488-1535	FP12K-K-057.3	Pin	4

For Model FP14K / FP14KA

14,000 lb. Capacity 4-Post Lift

DIRECTFIT™
SVI's DIRECT FIT™ BRAND



Auto Lift Cables and Chain Sheaves / Pulleys / Chain Rollers



Auto Lift Power Units and Parts

Call SVI today!





For Model FP14K / FP14KA

14,000 lb. Capacity 4-Post Lift

DIRECTFIT™
SVI's DIRECT FIT™ BRAND

Item SVI Part #	Cross Ref #	Cross Ref #	Description	Qty	
1	BH-7006A-XX	FP14K-046	Power Unit	1	
2	BH-7488-1539	FP14K-050	Nut	4	
3	BH-7488-1540	FP14K-049	Spring Washer	4	
4	BH-7488-1541	FP14K-048	Flat Washer	4	
5	BH-7488-1542	FP14K-047	Bolt	4	
6	BH-7488-1543	FP14K-045	Elbow Fitting	2	
7	BH-7488-1544	FP14K-044	Hydraulic Hose	1	
8	BH-7488-1545	FP14K-043	Hydraulic Hose	1	
9	BH-7488-1546	FP14K-042	Elbow Fitting	1	
10	BH-7488-1547	FP14K-041	Straight Fitting	1	
11	BH-7488-1548	FP14K-061	Air Hose	1	
12	BH-7488-1549	FP14K-060	Elbow Fitting	3	
13	BH-7488-1550	FP14K-023	FP14K-5022	Air Cylinder	4
14	BH-7488-1551	FP14K-024	FP14K-5017	Snap Ring	8
15	BH-7488-1552	FP14K-028	FP14K-5039	Bracket	4
16	BH-7488-1553	FP14K-037	Inner Hex Screw	8	
17	BH-7488-1554	FP14K-037.1	Spring Washer	8	
18	BH-7488-1555	FP14K-037.2	Flat Washer	8	
19	BH-7488-1556	FP14K-036	FP14K-5040	Block	4
20	BH-7488-1557	FP14K-034	FP14K-5054	Inner Hex Screw	4
21	BH-7488-1558	FP14K-034.1	Inner Hex Screw	4	
22	BH-7488-1559	FP14K-035	FP14K-5055	Spring Washer	8
23	BH-7488-1560	FP14K-035.2	Flat Washer	8	
24	BH-7488-1561	FP14K-035.1	Nut	8	
25	BH-7488-1562	FP14K-025	FP14K-5050	Bolt	4
26	BH-7488-1563	FP14K-032.1	Cotter Pin	8	
27	BH-7488-1564	FP14K-032	FP14K-5030	Flat Washer	8
28	BH-7488-1565	FP14K-031	FP14K-5052	Nut	8
29	BH-7488-1566	FP14K-033	FP14K-5053	Bushing	8
30	BH-7488-1567	FP14K-030	FP14K-5020	Bolt	4
31	BH-7488-1568	FP14K-040.1	FP14K-5042	Clasp - Offside	2
32	BH-7488-1569	FP14K-040	FP14K-5041	Clasp - Mainside	2
33	BH-7488-1570	FP14K-022	FP14K-5037	Crossrail Bracket (B)	2
34	BH-7488-1571	FP14K-026	FP14K-5038	Crossrail Bracket (A)	2
35	BH-7488-1572	FP14K-038	Rectangle Rubber Washer	4	
36	BH-7488-1573	FP14K-038.2	Cross Screw	8	
37	BH-7488-1574	FP14K-038.1	Hex Nut	8	
38	BH-7488-1575	FP14K-029	Chain Roller	4	
39	BH-7488-1576	FP14K-027	FP14K-5025	Multiple Bushing	8
40	BH-7488-1577	FP14K-039	Chain Seat	2	
41	BH-7488-1578	FP14K-020	FP14K-5015	Chain A (LH1246) (See SVI Chain Book)	1
42	BH-7488-1579	FP14K-021	FP14K-5014	Chain B (LH1246) (See SVI Chain Book)	1
43	BH-7488-1580	FP14K-019	FP14K-5016	Balancing Chain (LH1234) (See SVI Chain Book)	2
44	BH-7488-1581	FP14K-018	FP14K-5007	Flex Bolt	2
45	BH-7488-1582	FP14K-016	FP14K-5036	Chain Seat (Cyl. to Chain)	1
48	BH-7488-1536	FP14K-005	FP14K-5006	Hydraulic Cylinder	1
49	BH-7488-60	FP14K-005SK	FP14K-5070	Seal Kit for Hyd. Cylinder	1

Item SVI Part #	Cross Ref #	Cross Ref #	Description	Qty	
50	BH-7488-1583	FP14K-012	FP14K-5012	Pin for Hyd. Cylinder	1
51	BH-7488-1584	FP14K-012.2	FP14K-5011	Flat Washer	2
52	BH-7488-1585	FP14K-012.1	FP14K-5047	Snap Ring	2
53	BH-7488-1586	FP14K-014	FP14K-5013	Chain Roller	3
54	BH-7488-1587	FP14K-015	FP14K-5051	Multiple Bushing	6
55	BH-7488-1588	FP14K-013	FP14K-5035	Chain Roller Shaft / Pin	3
56	BH-7488-1589	FP14K-013.2	Flat Washer	3	
57	BH-7488-1590	FP14K-013.1	Snap Ring	3	
58	BH-7488-1591	FP14K-017	FP14K-5048	Nut	4
59	BH-7488-1592	FP14K-017.1	FP14K-5049	Flat Washer	2
60	BH-7488-1593	FP14K-051	Air Valve Parts	1	
61	BH-7488-1594	FP14K-052	Bracket	1	
62	BH-7488-1595	FP14K-059	Tee Fitting 2	3	
63	BH-7488-1596	FP14K-058	Fitting 1	1	
64	BH-7488-1597	FP14K-057	Air Hose 1	1	
65	BH-7488-1598	FP14K-053	Bolt	1	
66	BH-7488-1599	FP14K-054	Flat Washer	4	
67	BH-7488-1600	FP14K-055	Spring Washer	4	
68	BH-7488-1601	FP14K-056	Nut	4	
69	BH-7488-1602	FP14K-003	FP14K-5003	Crossbeam	2
70	BH-7488-1603	FP14K-008	FP14K-5004 (L)	Runway - Left	1
70	BH-7488-1604	FP14K-008	FP145-5004 (R)	Runway - Right	1
71	BH-7488-1605	FP14K-008.1	FP14K-5034	Wheel Stop	2
72	BH-7488-1606	FP14K-008.2	FP14K-5043	Bolt	4
73	BH-7488-1607	FP14K-008.4	FP14K-5045	Flat Washer	4
74	BH-7488-1608	FP14K-008.5	FP14K-5046	Spring Washer, Large	4
75	BH-7488-1609	FP14K-008.3	FP14K-5044	Nut	4
76	BH-7488-1610	FP14K-007	FP14K-5067	Ramp Pin	2
77	BH-7488-1611	FP14K-006	FP14K-5066	Approach Ramp	2
78	BH-7488-1612	FP14K-002	FP14K-5002	Column - Mainside, with PU Bracket	1
79	BH-7488-1613	FP14K-002	FP14K-5001	Column - Mainside without Bracket	1
80	BH-7488-1614	FP14K-001	FP14K-5000	Column - Offside	2
81	BH-7488-1615	FP14K-004	FP14K-5005	Top Rail	1
82	BH-7488-1616	FP14K-041.2	Pressure Gauge (FP14KA)	1	
83	BH-7488-1617	FP14K-041.1	Fitting for Pressure Gauge (FP14KA)	1	
84	BH-7488-1618	FP14K-041.3	Bronze Body (FP14KA)	1	
85	BH-7488-1619	FP14K-041.4	Bolt (FP14KA)	1	
86	BH-7488-1620	FP14K-041.5	O-Ring (FP14KA)	2	
87	BH-7488-1621	FP14K-5018	Coiled Air Hose	1	
88	BH-7075-03		Wedge Anchor Bolt 3/4" x 5-1/2"	16	
89	BH-7512-92		Plastic Shim Assortment 150 pack (3 sizes)	1	
90	BH-7069-K		Power Station™ Air/Electric Utility Box	1	

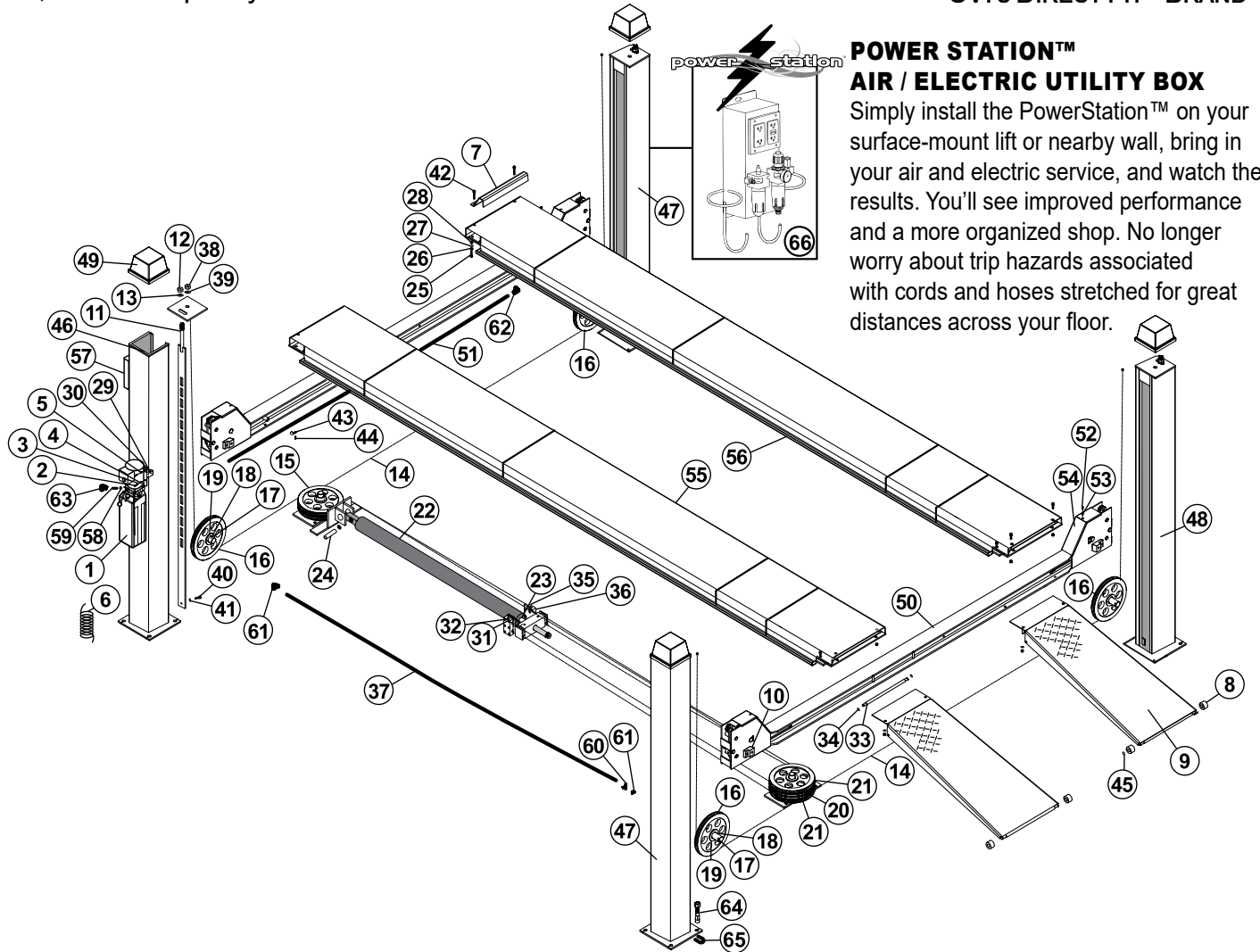
P
a
g
e



For Model FP14KA-C

14,000 lb. Capacity 4-Post Lift

DIRECTFIT™
SVI's DIRECT FIT™ BRAND



**POWER STATION™
AIR / ELECTRIC UTILITY BOX**
Simply install the PowerStation™ on your surface-mount lift or nearby wall, bring in your air and electric service, and watch the results. You'll see improved performance and a more organized shop. No longer worry about trip hazards associated with cords and hoses stretched for great distances across your floor.

Item	SVI Part #	Cross Ref #	Cross Ref #	Description	Qty
1	BH-7006A	FP14KA-C-004	165976*01-004	Power Unit	1
2	BH-7488-1622	FP14KA-C-015	165976*01-015	Hex Bolt	4
3	BH-7488-1623	FP14KA-C-016	165976*01-016	Spring Washer	14
4	BH-7488-1624	FP14KA-C-014	165976*01-014	Flat Washer	34
5	BH-7488-1625	FP14KA-C-013	165976*01-013	Hex Nut	40
6	BH-7488-1626	FP14KA-C-060	165976*01-060	Coiled Air Hose	1
7	BH-7488-1627	FP14KA-C-018	165976*01-018	Wheel Stop	2
8	BH-7488-1628	FP14KA-C-007.1	165976*01-007.1	Ramp Wheel	4
9	BH-7488-1629	FP14KA-C-007	165976*01-007	Approach Ramp	2
10	BH-7488-1630	FP14KA-C-042	165976*01-042	Nylon Slider Block	8
11	BH-7488-1631	FP14KA-C-029	165976*01-029	Lock Ladder	4
12	BH-7488-1632	FP14KA-C-030	165976*01-030	Hex Nut	1
13	BH-7488-1633	FP14KA-C-031	165976*01-031	Flat Washer	1
14	BH-7488-1634	FP14KA-C-082	165976*01-082	Steel Cable	2
15	BH-7488-1635	FP14KA-C-110	165976*01-110	Cable Sheave 4	2
16	BH-7488-1636	FP14KA-C-052	165976*01-052	Cable Sheave 1	4
17	BH-7488-1637	FP14KA-C-053	165976*01-053	Bushing	1
18	BH-7488-1638	FP14KA-C-037	165976*01-037	Sheave Pin 1	4
19	BH-7488-1639	FP14KA-C-037.1	165976*01-037.1	Grease Fitting	6
20	BH-7488-1640	FP14KA-C-109	165976*01-109	Cable Sheave 3	1

21	BH-7488-1641	FP14KA-C-108	165976*01-108	Cable Sheave 2	2
22	BH-7488-1642	FP14KA-C-106	165976*01-106	Hydraulic Cylinder	1
23	BH-7488-1643	FP14KA-C-106x	165976*01-106x	Seal Kit for Hyd. Cylinder	1
24	BH-7488-1644	FP14KA-C-107	165976*01-107	Hydraulic Cylinder Pin	1
25	BH-7488-1645	FP14KA-C-024	165976*01-024	Hex Bolt	8
26	BH-7488-1646	FP14KA-C-025	165976*01-025	Spring Washer	8
27	BH-7488-1647	FP14KA-C-026	165976*01-026	Flat Washer	12
28	BH-7488-1648	FP14KA-C-027	165976*01-027	Hex Nut	12
29	BH-7488-1649	FP14KA-C-081	165976*01-081	Switch	1
30	BH-7488-1650	FP14KA-C-081.1	165976*01-081.1	Fixture Plate	1
31	BH-7488-1651	FP14KA-C-088	165976*01-088	Cable Block 1	1
32	BH-7488-1652	FP14KA-C-087	165976*01-087	Cable Block 2	1
33	BH-7488-1653	FP14KA-C-009	165976*01-009	Ramp Pin	2
34	BH-7488-1654	FP14KA-C-008	165976*01-008	Retaining Ring	4
35	BH-7488-1655	FP14KA-C-100	165976*01-100	Cable Block 3	1
36	BH-7488-1656	FP14KA-C-101	165976*01-101	Cable Block 4	1
37	BH-7488-1657	FP14KA-C-073	165976*01-073	Long Air Hose 1	1
38	BH-7488-1658	FP14KA-C-011	165976*01-011	Hex Nut	12
39	BH-7488-1659	FP14KA-C-010	165976*01-010	Flat Washer	8
40	BH-7488-1660	FP14KA-C-032	165976*01-032	Inner Hex Screw	4

Page 87



For Model FP14KA-C

14,000 lb. Capacity 4-Post Lift

DIRECTFIT™
SVI's DIRECT FIT™ BRAND

Item SVI Part #	Cross Ref #	Cross Ref #	Description	Qty	
41	BH-7488-1661	FP14KA-C-033	165976*01-033	Flat Washer	
42	BH-7488-1662	FP14KA-C-017	165976*01-017	Hex Bolt	4
43	BH-7488-1663	FP14KA-C-023	165976*01-023	Hose Clamp	1
44	BH-7488-1664	FP14KA-C-022	165976*01-022	Cross Screw	13
45	BH-7488-1665	FP14KA-C-007.2	165976*01-007.2	Retaining Ring	20
46	BH-7488-1666	FP14KA-C-003	165976*01-003	Column 1	1
47	BH-7488-1667	FP14KA-C-001	165976*01-001	Column 3	2
48	BH-7488-1668	FP14KA-C-005	165976*01-005	Column 2	1
49	BH-7488-1669	FP14KA-C-034	165976*01-034	Column Cover	4
50	BH-7488-1670	FP14KA-C-048	165976*01-048	Crossbeam 1	1
50	BH-7488-1671	FP14KA-C-049	165976*01-049	Crossbeam 2	1
51	BH-7488-1672	FP14KA-C-080	165976*01-080	Air Hose 2	2
52	BH-7488-1673	FP14KA-C-075	165976*01-075	Cross Screw	13
53	BH-7488-1674	FP14KA-C-076	165976*01-076	Flat Washer	
54	BH-7488-1675	FP14KA-C-077	165976*01-077	Sheave Cover	4
55	BH-7488-1676	FP14KA-C-006	165976*01-006	Runway - Offside	1
56	BH-7488-1677	FP14KA-C-002	165976*01-002	Runway - Mainside	1
57	BH-7488-1678	FP14KA-C-012	165976*01-012	Box	1
58	BH-7488-1679	FP14KA-C-019	165976*01-019	Washer	1
59	BH-7488-1680	FP14KA-C-020	165976*01-020	Hydraulic Fitting	1
60	BH-7488-1681	FP14KA-C-057	165976*01-057	Air Union 2	2
61	BH-7488-1682	FP14KA-C-021	165976*01-021	Elbow Fitting	1
62	BH-7488-1683	FP14KA-C-059	165976*01-059	Elbow Union	4
63	BH-7488-1684	FP14KA-C-058	165976*01-058	Air Union 1	1
64	BH-7075-03	FP14KA-C-028	165976*01-028	Wedge Anchor Bolt 3/4" x 5-1/2"	16
65	BH-7512-92		Plastic Shim Assortment	1	
			150 pack (3 sizes)		
66	BH-7069-K		Power Station™	1	
			Air / Electric Utility Box		

Item SVI Part #	Cross Ref #	Cross Ref #	Description	Qty	
NOT PICTURED:					
--	BH-7488-1714	FP14KA-C-083	165976*01-083	Hex Screw	10
--	BH-7488-1715	FP14KA-C-084	165976*01-084	Spring washer	14
--	BH-7488-1716	FP14KA-C-085	165976*01-085	Hex Nut	
--	BH-7488-1717	FP14KA-C-086	165976*01-086	Flat Washer	
--	BH-7488-1718	FP14KA-C-089	165976*01-089	Hydraulic Hose Fitting	1
--	BH-7488-1719	FP14KA-C-090	165976*01-090	Cover	4
--	BH-7488-1720	FP14KA-C-091	165976*01-091	Cross screw	4
--	BH-7488-1721	FP14KA-C-092	165976*01-092	Flat Washer	14
--	BH-7488-1722	FP14KA-C-093	165976*01-093	Retaining Ring	1
--	BH-7488-1723	FP14KA-C-094	165976*01-094	Hydraulic pipe	1
--	BH-7488-1724	FP14KA-C-095	165976*01-095	Wheel Spindle	2
--	BH-7488-1725	FP14KA-C-096	165976*01-096	Orientation Screw	4
--	BH-7488-1726	FP14KA-C-097	165976*01-097	Orientation Board	
--	BH-7488-1727	FP14KA-C-098	165976*01-098	Cross Screw	4
--	BH-7488-1728	FP14KA-C-099	165976*01-099	Spring Washer	4
--	BH-7488-1729	FP14KA-C-102	165976*01-102	Inner Hex Screw	2
--	BH-7488-1730	FP14KA-C-103	165976*01-103	Flat Washer	
--	BH-7488-1731	FP14KA-C-104	165976*01-104	Guide Board	1
--	BH-7488-1732	FP14KA-C-105	165976*01-105	Block	1
--	BH-7488-1733	FP14KA-C-111	165976*01-111	Spindle Bush	1
--	BH-7488-1734	FP14KA-C-112	165976*01-112	Bearing	2
--	BH-7488-1735	FP14KA-C-113	165976*01-113	Cross Bolt	8
--	BH-7488-1736	FP14KA-C-114	165976*01-114	Insert Pin	8
--	BH-7488-1737	FP14KA-C-115	165976*01-115	Cable, Ø1.5	8
--	BH-7488-1738	FP14KA-C-116	165976*01-116	Bushing	16
--	BH-7488-1739	FP14KA-C-117	165976*01-117	Pull 1	8
--	BH-7488-1740	FP14KA-C-118	165976*01-118	Flat Washer	
--	BH-7488-1741	FP14KA-C-119	165976*01-119	Hex Nut	
--	BH-7488-1742	FP14KA-C-120	165976*01-120	Spring	8
--	BH-7488-1743	FP14KA-C-121	165976*01-121	Cover	2
--	BH-7488-1744	FP14KA-C-122	165976*01-122	Cover 1	2
--	BH-7488-1745	FP14KA-C-123	165976*01-123	Cover 2	2
--	BH-7488-1746	FP14KA-C-124	165976*01-124	Cover 3	2
--	BH-7488-1747	FP14KA-C-125	165976*01-125	Cable Block	1
--	BH-7488-1748	FP14KA-C-126	165976*01-126	Wheel	42
--	BH-7488-1749	FP14KA-C-127	165976*01-127	Safety Transmission Pole Clasp	1
--	BH-7488-1750	FP14KA-C-128	165976*01-128	Hex Nut	
--	BH-7488-1751	FP14KA-C-129	165976*01-129	Safety Transmission Pole	1

Air / Hydraulic Pumps for Rolling Bridge Jacks

Options Available—Call Today!



Auto Lift Power Units and Parts

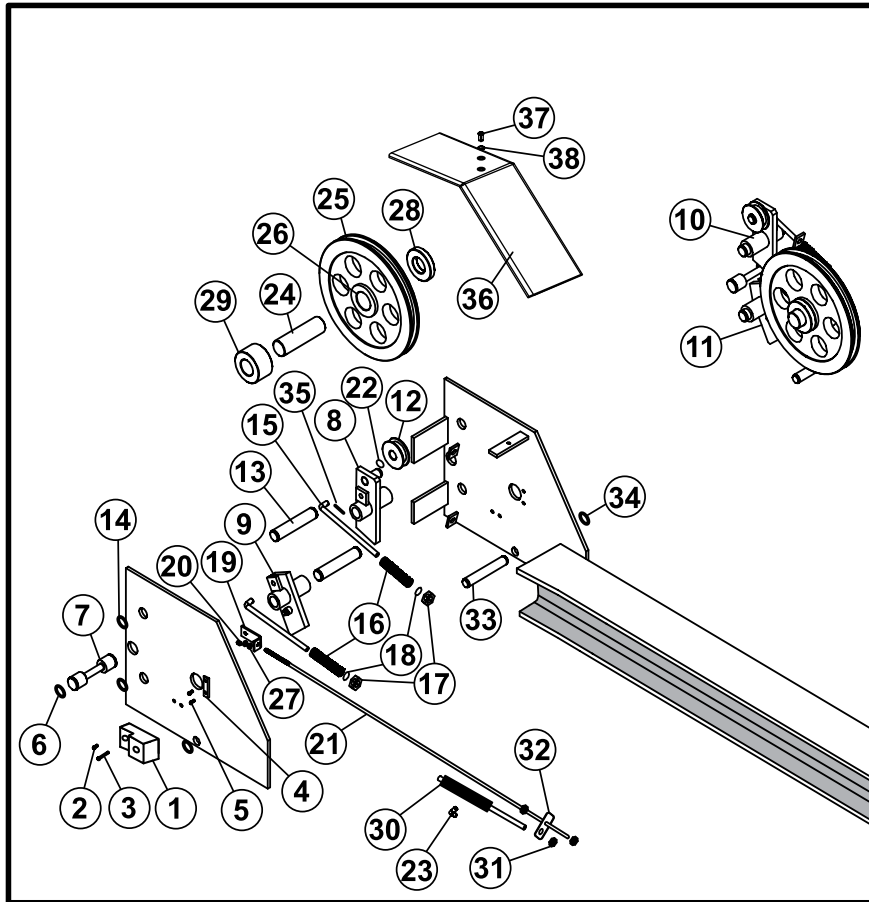
Call SVI today!



For Model FP14KA-C

14,000 lb. Capacity 4-Post Lift

DIRECTFIT™
SVI's DIRECT FIT™ BRAND



Item SVI Part #	Cross Ref #	Cross Ref #	Description	Qty	
1	BH-7488-1630	FP14KA-C-042	165976*01-042	Nylon Slider Block	8
2	BH-7488-1689	FP14KA-C-043	165976*01-043	Cross Screw	8
3	BH-7488-1690	FP14KA-C-044	165976*01-044	Cross Screw	8
4	BH-7488-1696	FP14KA-C-054	165976*01-054	Plate	6
5	BH-7488-1693	FP14KA-C-047	165976*01-047	Cross Screw	13
6	BH-7488-1688	FP14KA-C-041	165976*01-041	Retaining Ring	8
7	BH-7488-1687	FP14KA-C-040	165976*01-040	Pin 3	4
8	BH-7488-1709	FP14KA-C-071	165976*01-071	Safety Block 1	2
9	BH-7488-1708	FP14KA-C-070	165976*01-070	Safety Block 1	2
10	BH-7488-1712	FP14KA-C-078	165976*01-078	Safety Block 2	2
11	BH-7488-1711	FP14KA-C-074	165976*01-074	Safety Block 2	2
12	BH-7488-1713	FP14KA-C-079	165976*01-079	Lock Release Pulley	4
13	BH-7488-1685	FP14KA-C-038	165976*01-038	Pin 2	8
14	BH-7488-1686	FP14KA-C-039	165976*01-039	Retaining Ring	20
15	BH-7488-1704	FP14KA-C-066	165976*01-066	Spring Shaft	8
16	BH-7488-1702	FP14KA-C-064	165976*01-064	Spring	8
17	BH-7488-1700	FP14KA-C-062	165976*01-062	Nex Nut	40
18	BH-7488-1701	FP14KA-C-063	165976*01-063	Flat Washer	34

Item SVI Part #	Cross Ref #	Cross Ref #	Description	Qty	
19	BH-7488-1707	FP14KA-C-069	165976*01-069	Pull Block	4
20	BH-7488-1705	FP14KA-C-067	165976*01-067	Retaining Ring	6
21	BH-7488-1699	FP14KA-C-061	165976*01-061	Safety Screw Pole	4
22	BH-7488-1710	FP14KA-C-072	165976*01-072	Retaining Ring	
25	BH-7488-1636	FP14KA-C-052	165976*01-052	Cable Sheave 1	4
26	BH-7488-1637	FP14KA-C-053	165976*01-053	Bushing	1
27	BH-7488-1706	FP14KA-C-068	165976*01-068	Hex Nut	25
28	BH-7488-1694	FP14KA-C-050	165976*01-050	Spacer	4
29	BH-7488-1695	FP14KA-C-051	165976*01-051	Spacer	4
30	BH-7488-1697	FP14KA-C-055	165976*01-055	Air Cylinder Assembly	4
31	BH-7488-1648	FP14KA-C-027	165976*01-027	Hex Nut	12
32	BH-7488-1698	FP14KA-C-056	165976*01-056	Air Cylinder Bracket	4
33	BH-7488-1691	FP14KA-C-045	165976*01-045	Pin 4	4
34	BH-7488-1692	FP14KA-C-046	165976*01-046	Retaining Ring	12
35	BH-7488-1703	FP14KA-C-065	165976*01-065	Retaining Ring	8
36	BH-7488-1675	FP14KA-C-077	165976*01-077	Sheave Cover	4
37	BH-7488-1673	FP14KA-C-075	165976*01-075	Cross Screw	13
38	BH-7488-1674	FP14KA-C-076	165976*01-076	Flat Washer	

P
a
g
e

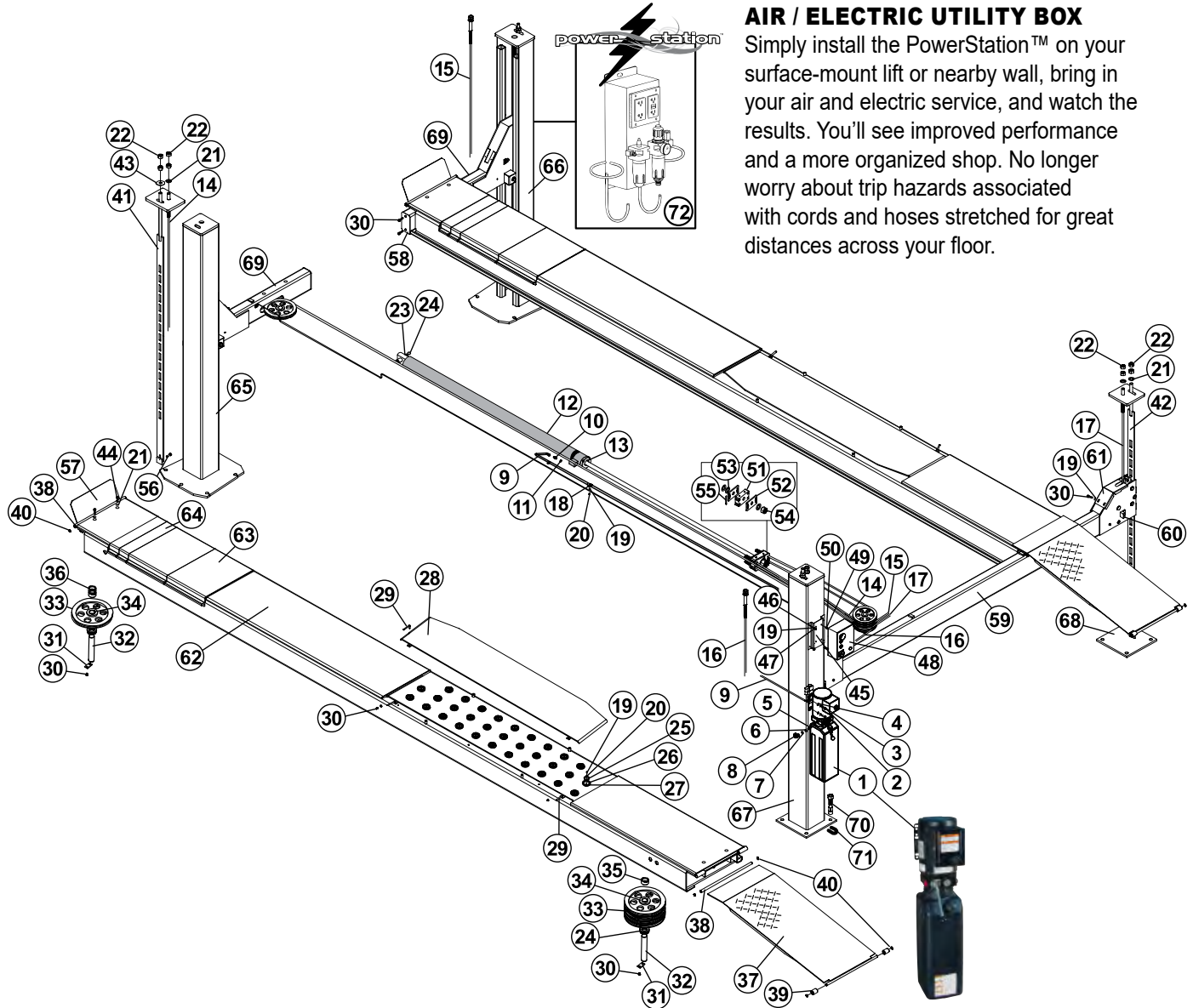


For Model FP14KO-A
14,000 lb. Capacity 4-Post Alignment Lift

DIRECTFIT™
SVI's DIRECT FIT™ BRAND

POWER STATION™
AIR / ELECTRIC UTILITY BOX

Simply install the PowerStation™ on your surface-mount lift or nearby wall, bring in your air and electric service, and watch the results. You'll see improved performance and a more organized shop. No longer worry about trip hazards associated with cords and hoses stretched for great distances across your floor.



Air / Hydraulic Pumps for Rolling Bridge Jacks

Options Available—Call Today!



Auto Lift Power Units and Parts

Call SVI today!



P
a
g
e

90



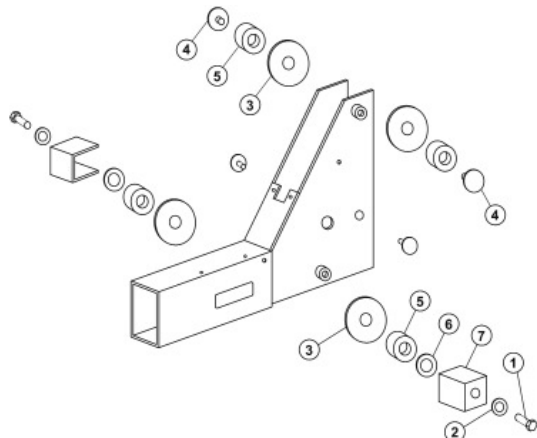
For Model FP14KO-A

14,000 lb. Capacity 4-Post Alignment Lift

DIRECTFIT™
SVI's DIRECT FIT™ BRAND

Item SVI Part #	Cross Ref #	Cross Ref #	Description	Qty
1	BH-7006A-XX	FP14KO-A-016	Hydraulic Pump, 1 Ph, 220V	1
2	BH-7488-1752	FP14KO-A-017 M8X25_GB5781	Hex Bolt	4
3	BH-7488-1108	FP14KO-A-018 D8_GB93	Spring Washer	4
4	BH-7488-1152	FP14KO-A-019 D8_GB95	Flat Washer	12
5	BH-7488-1112	FP14KO-A-101 TPF4-500-07	Hydraulic Pump Fitting	1
6	BH-7488-1113	FP14KO-A-100 TPF4-500-08	Washer	2
7	BH-7488-1753	FP14KO-A-099 TPF4-500-09	Nut	2
8	BH-7488-1111	FP14KO-A-098 TPF4-500-05	Elbow Fitting	1
9	BH-7488-1754	FP14KO-A-097	Hydraulic Hose	1
10	BH-7488-1755	FP14KO-A-102 SGM-805-20	Hydraulic Cylinder Fitting	1
11	BH-7488-1756	FP14KO-A-103 JB982_77	Sealing Ring, D14	1
12	BH-7488-1537	FP14KO-A-052 TT5D-100-06-01	Hydraulic Cylinder	1
13	BH-7488-1538	FP14KO-A-052x TT5D-100-06-01x	Hydraulic Cylinder Seal Kit	1
14	BH-7488-1759	FP14KO-A-093 TT5DL-100-20	Steel Cable C, LF 34' 5"	1
15	BH-7488-1760	FP14KO-A-094 TT5DL-100-20	Steel Cable D, RF 39' 1"	1
16	BH-7488-1761	FP14KO-A-096 TT5DL-100-20	Steel Cable A, LR 14' 8"	1
17	BH-7488-1762	FP14KO-A-095 TT5DL-100-20	Steel Cable B, RR 19' 4-1/2"	1
18	BH-7488-1763	FP14KO-A-038 TT5D-100-07	Hose Clip	3
19	BH-7488-1764	FP14KO-A-022 D6_GB95	Flat Washer	84
20	BH-7488-1765	FP14KO-A-034 M6X10_GB70	Inner Hex Bolt	65
21	BH-7488-1766	FP14KO-A-006 D20_GB95	Flat Washer, steel	14
22	BH-7488-1767	FP14KO-A-012 M20_GB41	Hex Nut	14
23	BH-7488-1768	FP14KO-A-046 TT5D-100-06-02	Cylinder Pin	1
24	BH-7488-1769	FP14KO-A-045 D30_GB894.1	Retaining Ring	1
25	BH-7488-1770	FP14KO-A-035 TT5D-100-10-01	Inner Washer	62
26	BH-7488-1771	FP14KO-A-036 TT5D-100-10-03	Steel Ball	992
27	BH-7488-1772	FP14KO-A-037 TT5D-100-10-02	Spring Pad	62
28	BH-7488-1773	FP14KO-A-031 TT5D-100-03-00	Cover	2
29	BH-7488-1774	FP14KO-A-032 SGM-803-16-01	Raw Pin	4
30	BH-7488-1775	FP14KO-A-033 M6X10_GB818	Screw M6x10	36
31	BH-7488-1776	FP14KO-A-043 SGM-802-08	Locking Plate	8
32	BH-7488-1777	FP14KO-A-042 TT5D-100-13	Spindle II / 2	3
33	BH-7488-1778	FP14KO-A-040 TT5.5F4-300-17	Pulley (2 bushings required)	11
34	BH-7488-1779	FP14KO-A-041 FB090-3025	Multiple Bush	11
35	BH-7488-1780	FP14KO-A-044 TT5D-100-12	Cover II / 2, round steel	1
36	BH-7488-1781	FP14KO-A-039 TT5D-100-09	Cover I / 1, Nylon	9
37	BH-7488-1782	FP14KO-A-001 TT5D-400-01-00	Approach Ramp	2
38	BH-7488-1783	FP14KO-A-004 TT5D-100-05	Spindle I / 1	5
39	BH-7488-1784	FP14KO-A-002 TT5D-400-02	Idler Wheel - Nylon	4

Item SVI Part #	Cross Ref #	Cross Ref #	Description	Qty
40	BH-7488-1785	FP14KO-A-003 D16_GB894.1	Retaining Ring	20
41	BH-7488-1786	FP14KO-A-009 TT5D-200-02-00	Lock Ladder I / 1	2
42	BH-7488-1787	FP14KO-A-014 TT5D-300-02-00	Lock Ladder II / 2	2
43	BH-7488-1788	FP14KO-A-011 D20_GB96	Big Washer, steel	2
44	BH-7488-1789	FP14KO-A-005 M12X35_GB70	Inner Hex Bolt	8
45	BH-7488-1790	FP14KO-A-026 QYS-100-02-07	Motor Base	1
46	BH-7488-1203	FP14KO-A-023 D6_GB93	Spring Washer	4
47	BH-7488-1791	FP14KO-A-021 M6X20_GB5781	Hex Bolt	4
48	BH-7488-1792	FP14KO-A-020	Control Box	1
49	BH-7488-1793	FP14KO-A-024 M6X16_GB818	Cross Screw	4
50	BH-7488-1794	FP14KO-A-025 M6_GB41	Hex Nut	12
51	BH-7488-1795	FP14KO-A-050 TT5D-100-06-04	Clip 2	1
52	BH-7488-1796	FP14KO-A-049 TT5D-100-06-03	Clip 1	2
53	BH-7488-1797	FP14KO-A-048 D30_GB95	Flat Washer	3
54	BH-7488-1798	FP14KO-A-047 M27_GB6179	Hexagon Slotted Nuts	1
55	BH-7488-1799	FP14KO-A-051 D5X80_GB91	Snap Ring	1
56	BH-7488-1801	FP14KO-A-010 M10X35_GB5781	Hex Bolt	4
57	BH-7488-1802	FP14KO-A-027 TT5D-100-16-00	Wheel Stop	2
58	BH-7488-1803	FP14KO-A-090 TT5D-600-02	End Plate	2
59	BH-7488-1804	FP14KO-A-053 TT5D-500-01-00	Cross Beam I / 1	1
60	BH-7488-1805	FP14KO-A-075 TT5.5F4-200-01-04	Nylon Slider Block	6
61	BH-7488-1806	FP14KO-A-076 TT5D-500-09	Protective Wheel Cover 1	4
62	BH-7488-1809	FP14KO-A-030 TT5DL-100-04A/04B-00	Runway 1/2 (1 Each)	1Ea.
63	BH-7488-1825	FP14KO-A-029 TT5D-100-02-00	Plate 2	4
64	BH-7488-1826	FP14KO-A-028 TT5D-100-01-00	Plate 1	4
65	BH-7488-1810	FP14KO-A-008 TT5D-200-01A-00	Column I / 1	1
66	BH-7488-1811	FP14KO-A-007 TT5D-200-01B-00	Column II / 2	1
67	BH-7488-1812	FP14KO-A-015 TT5D-300-01A-00	Column III / 3	1
68	BH-7488-1813	FP14KO-A-013 TT5D-300-01B-00	Column IV / 4	1
69	BH-7488-1817	FP14KO-A-091 TT5D-600-01A-00	Cross Beam Section II / 2	1
69	BH-7488-1818	FP14KO-A-092 TT5D-600-01B-00	Cross Beam Section III / 3	1
70	BH-7075-03		Wedge Anchor Bolt 3/4" x 5-1/2"	16
71	BH-7512-92		Plastic Shim Assortment 150 pk (3 sizes)	1
72	BH-7069-K		Power Station Air/Electric Utility Box	1



Roller Assembly and Sliders For Model FP14KO-A

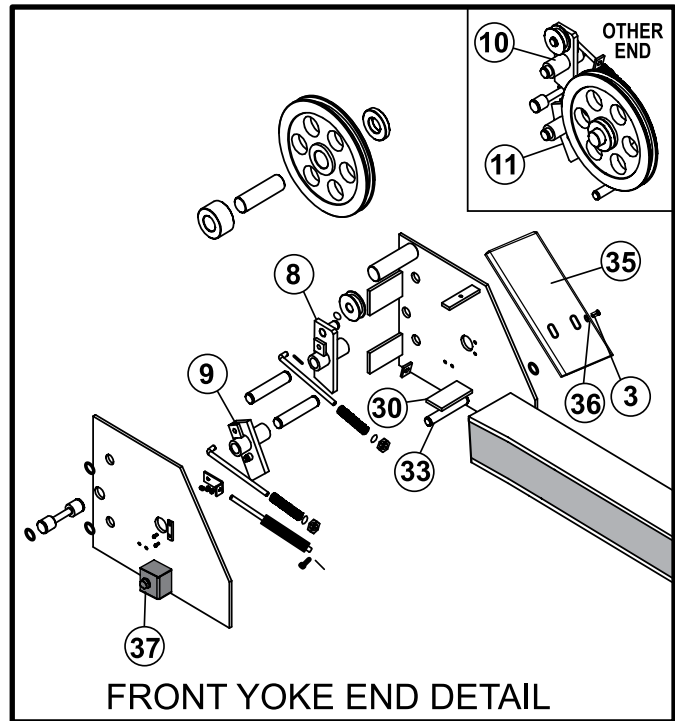
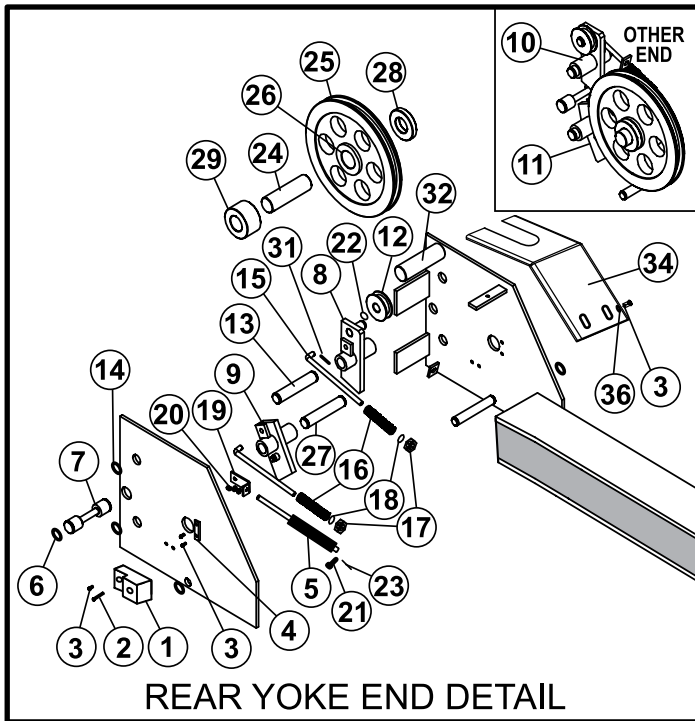
Item SVI Part #	Cross Ref #	Cross Ref #	Description	Qty
1	BH-7488-1832	FP14KO-A-085 M16X35_GB5781	Hex Bolt	4
2	BH-7488-1831	FP14KO-A-086 D16_GB95	Flat Washer	4
3	BH-7488-1815	FP14KO-A-081 TT5D-600-05	Spacer 5, Nylon	8
4	BH-7488-1814	FP14KO-A-079 TT5D-600-07	Carriage Block II / 2, Nylon	4
5	BH-7488-1847	FP14KO-A-080 TT5D-600-03-01	Pulley	8
6	BH-7488-1816	FP14KO-A-088 TT5D-600-06	Cover VI / 6, Nylon	4
7	BH-7488-1807	FP14KO-A-087 TT5D-600-04-01	Protective Wheel Cover 1	4

Page 91

For Model FP14KO-A

14,000 lb. Capacity 4-Post Alignment Lift

DIRECTFIT™
SVI's DIRECT FIT™ BRAND



Lock Parts Detail For Model FP14KO-A

Item SVI Part #	Cross Ref #	Cross Ref #	Description	Qty
1	BH-7488-1805	FP14KO-A-075 TT5.5F4-200-01-04	Nylon Slider Block	6
2	BH-7488-1834	FP14KO-A-074 M6X40_GB70.1	Inner Hex Bolt	4
3	BH-7488-1775	FP14KO-A-033 M6X10_GB818	Screw M6x10	36
4	BH-7488-1776	FP14KO-A-043 SGM-802-08	Locking Plate	8
5	BH-7488-1840	FP14KO-A-061 SNS-02-00	Air Cylinder	4
6	BH-7488-1846	FP14KO-A-073 D24_GB894.1	Retaining Ring	8
7	BH-7488-1820	FP14KO-A-072 TT5.5F4-200-01-03	Spindle 3	8
8	BH-7488-1837	FP14KO-A-068 TT5D-500-02-01A-00	Safety With Cable Steel A	1
9	BH-7488-1835	FP14KO-A-056 TT5D-500-03-01A-00	Safety A	1
10	BH-7488-1838	FP14KO-A-077 TT5D-500-02-01B-00	Safety With Cable Steel B	1
11	BH-7488-1836	FP14KO-A-078 TT5D-500-03-01B-00	Safety B	1
12	BH-7488-1845	FP14KO-A-069 TT5.5F4-200-01-19	Safety Idler Wheel	4
13	BH-7488-1819	FP14KO-A-057 TT5.5F4-200-01-02	Spindle 2	10
14	BH-7485-0858	FP14KO-A-065 D25_GB894.1	Retaining Ring	8
15	BH-7488-1841	FP14KO-A-062 SGM-804-04	Tie Rod Spring	8
16	BH-7488-1827	FP14KO-A-058 SGM-804-14	Compression Spring	8
17	BH-7488-1833	FP14KO-A-067 M8_GB41	Hex Nut	22
18	BH-7488-1152	FP14KO-A-019 D8_GB95	Flat Washer	12
19	BH-7488-1839	FP14KO-A-059 SGM-804-07	Pull Handle / Air Cylinder Bracket	4

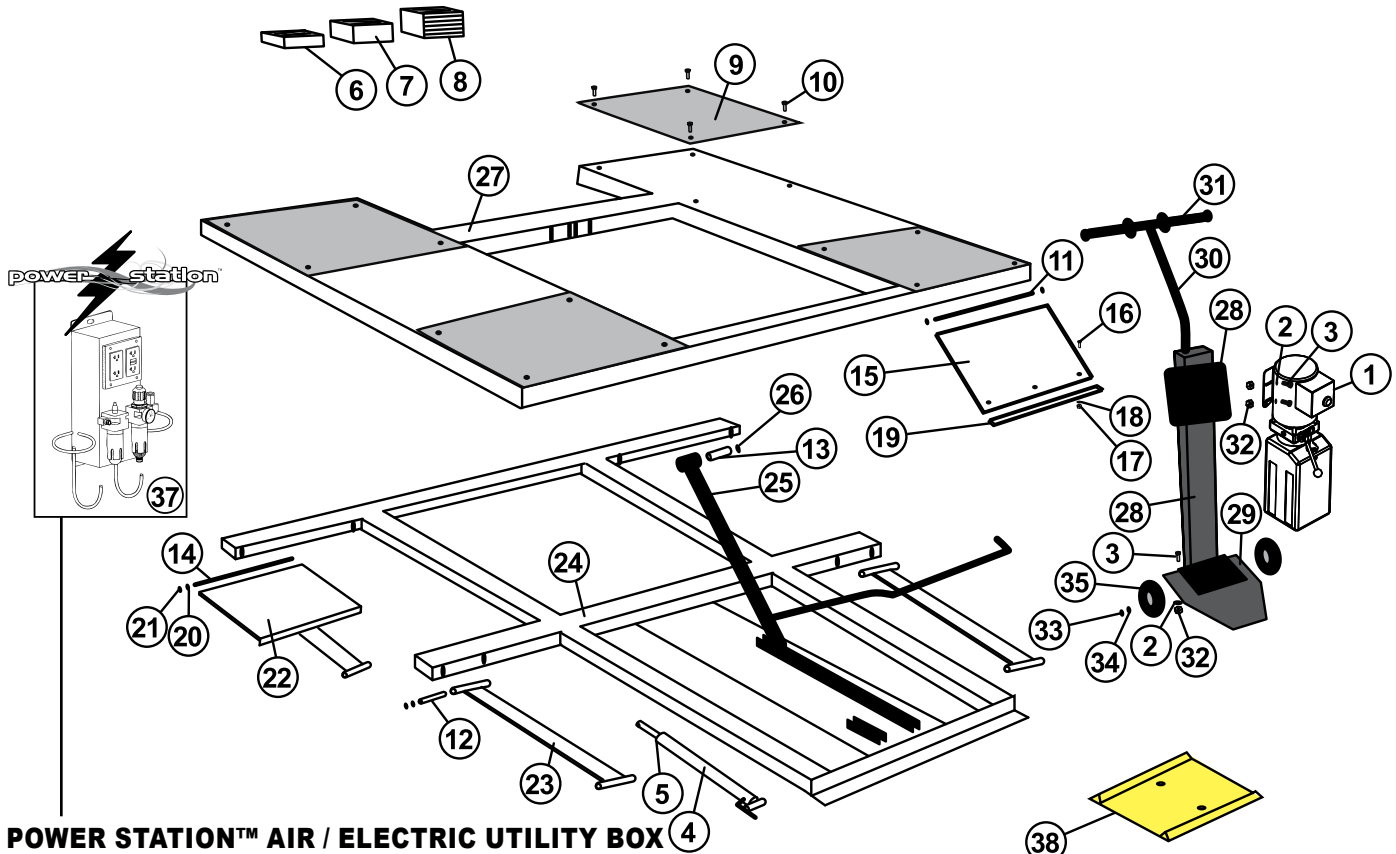
Item SVI Part #	Cross Ref #	Cross Ref #	Description	Qty
20	BH-7488-1843	FP14KO-A-064 D10_GB894.1	Retaining Ring	4
21	BH-7488-1830	FP14KO-A-060 TT5D-500-03-03	Cylinder Cover	4
22	BH-7488-1785	FP14KO-A-003 D16_GB894.1	Retaining Ring	20
23	BH-7488-1842	FP14KO-A-063 D2X35_GB91	Snap Ring	4
24	BH-7488-1822	FP14KO-A-070 TT5D-500-04	Spindle IV	4
25	BH-7488-1778	FP14KO-A-040 TT5.5F4-300-17	Wheel / Pulley, (2 bushings required)	11
26	BH-7488-1779	FP14KO-A-041 FB090-3025	Multiple Bush	11
27	BH-7488-1821	FP14KO-A-071 TT5.5F4-200-01-05	Spindle 4	2
28	BH-7488-1829	FP14KO-A-054 TT5.5F4-200-01-10	Cover 2, Nylon	4
29	BH-7488-1828	FP14KO-A-055 TT5.5F4-200-01-07	Cover 1, Nylon	4
30	BH-7488-1848	FP14KO-A-084 TT5D-600-01-06	Steel Cable Plate	2
31	BH-7488-1844	FP14KO-A-066 D2X40_GB91	Snap Ring	8
32	BH-7488-1824	FP14KO-A-082 TT5D-600-01-05	Spindle VIII / 8	2
33	BH-7488-1823	FP14KO-A-083 TT5D-600-01-04	Spindle VII / 7	2
34	BH-7488-1808	FP14KO-A-089 TT5D-600-08	Protective Wheel Cover 2	2
35	BH-7488-1806	FP14KO-A-076 TT5D-500-09	Protective Wheel Cover 1	4
36	BH-7488-1764	FP14KO-A-022 D6_GB95	Flat Washer	84
37	BH-7488-1807	FP14KO-A-087 TT5D-600-04-01	Protective Wheel Cover 1	4

Also see Roller and Sliders Parts Breakdown

For Model LR-26-PAD

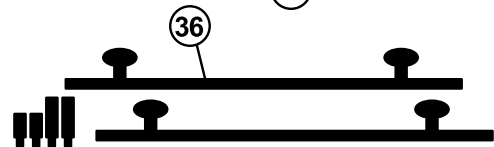
6,000 lb. Capacity Low Rise Pad Lift

DIRECTFIT™
SVI's DIRECT FIT™ BRAND



POWER STATION™ AIR / ELECTRIC UTILITY BOX

Simply install the PowerStation™ on your surface-mount lift or nearby wall, bring in your air and electric service, and watch the results. You'll see improved performance and a more organized shop. No longer worry about trip hazards associated with cords and hoses stretched for great distances across your floor.



Item	SVI Part #	Cross Ref #	Cross Ref #	Description	Qty
1	BH-7007-01-XX	1611060124	LR-26-PAD-024	Power Unit 6L	1
2	BH-7488S-0001	1611060126	LR-26-PAD-026	Flat Washer Ø8	16
3	BH-7488S-0002	1611060123	LR-26-PAD-023	Hex Bolt M8 x 30	12
4	BH-7488S-0003	1611060122	LR-26-PAD-022	Hydraulic Cylinder Assembly	1
5	BH-7488S-0004	1611060122x	LR-26-PAD-022x	Seal Kit for Hyd. Cylinder	1
6	BH-9756-86T	1611060114x	LR-26-PAD-014x	Rubber Adapter Block 1-1/2"	4
7	BH-9756-86	1611060114	LR-26-PAD-014	Rubber Adapter Block 3" Thick	4
8	BH-9756-87	1611060115	LR-26-PAD-015	Rubber Adapter Block 6" Thick	4
9	BH-7488S-0005	1611060102	LR-26-PAD-002	Top Rubber Pad	4
10	BH-7488S-0006	1611060103	LR-26-PAD-003	Cross Screw M8 X 12	16
11	BH-7488S-0007	1611060107	LR-26-PAD-007	Shaft #1	2
12	BH-7488S-0008	1611060116	LR-26-PAD-016	Shaft #2	6
13	BH-7488S-0009	1611060120	LR-26-PAD-020	Shaft #3	1
14	BH-7488S-0010	1611060110	LR-26-PAD-010	Shaft #4	2
15	BH-7488S-0011	1611060105	LR-26-PAD-005	Pedal Assembly	2
16	BH-7488S-0012	1611060104	LR-26-PAD-004	Cross Screw M6 X 25	6
17	BH-7488S-0013	1611060108	LR-26-PAD-008	Hex Nut M6	6
18	BH-7488S-0014	1611060109	LR-26-PAD-009	Spring Washer Ø6	6
19	BH-7488S-0015	1611060106	LR-26-PAD-006	Nylon Bar	2
20	BH-7488S-0016	1611060111	LR-26-PAD-011	Washer Ø30 x Ø20 x 3	20

Item	SVI Part #	Cross Ref #	Cross Ref #	Description	Qty
21	BH-7488S-0017	1611060112	LR-26-PAD-012	Spring Washer Ø20	20
22	BH-7488S-0018	1611060113	LR-26-PAD-013	Supporting Bar Assy #2	2
23	BH-7488S-0019	1611060117	LR-26-PAD-017	Supporting Bar Assy #1	2
24	BH-7488S-0020	1611060118	LR-26-PAD-018	Base Assembly	1
25	BH-7488S-0021	1611060119	LR-26-PAD-019	Safety Assembly	1
26	BH-7488S-0022	1611060121	LR-26-PAD-021	Spring Washer Ø25	1
27	BH-7488S-0023	1611060101	LR-26-PAD-001	Platform Assembly	1
28	BH-7488S-0024	1611060131	LR-26-PAD-031	Post Assembly	1
29	BH-7488S-0025	1611060125	LR-26-PAD-025	Base Assembly of Power Unit	1
30	BH-7488S-0026	1611060132	LR-26-PAD-032	Handle Assembly	1
31	BH-7488S-0027	1611060133	LR-26-PAD-033	Rubber Sleeve	2
32	BH-7488S-0028	1611060127	LR-26-PAD-027	Hex Nylon Nut M8	8
33	BH-7488S-0029	1611060128	LR-26-PAD-028	Hex Nylon Nut M16	2
34	BH-7488S-0030	1611060129	LR-26-PAD-029	Flat Washer Ø16	2
35	BH-7488S-0031	1611060130	LR-26-PAD-030	Wheel Ø100 x Ø17 x 38	2
36	BH-7488S-0032	MR6K-38-SUV		SUV Adapter Set	1
37	BH-7070-K			Power Station Air/Electric Utility Box	
38	BH-9701			Wheel Spotter 10-3/4" x 15"	

All names, numbers, symbols and descriptions are used for reference purposes only. It is not implied that any part listed is the product of these manufacturers. SVI does not represent and is not associated in any way with any other companies.

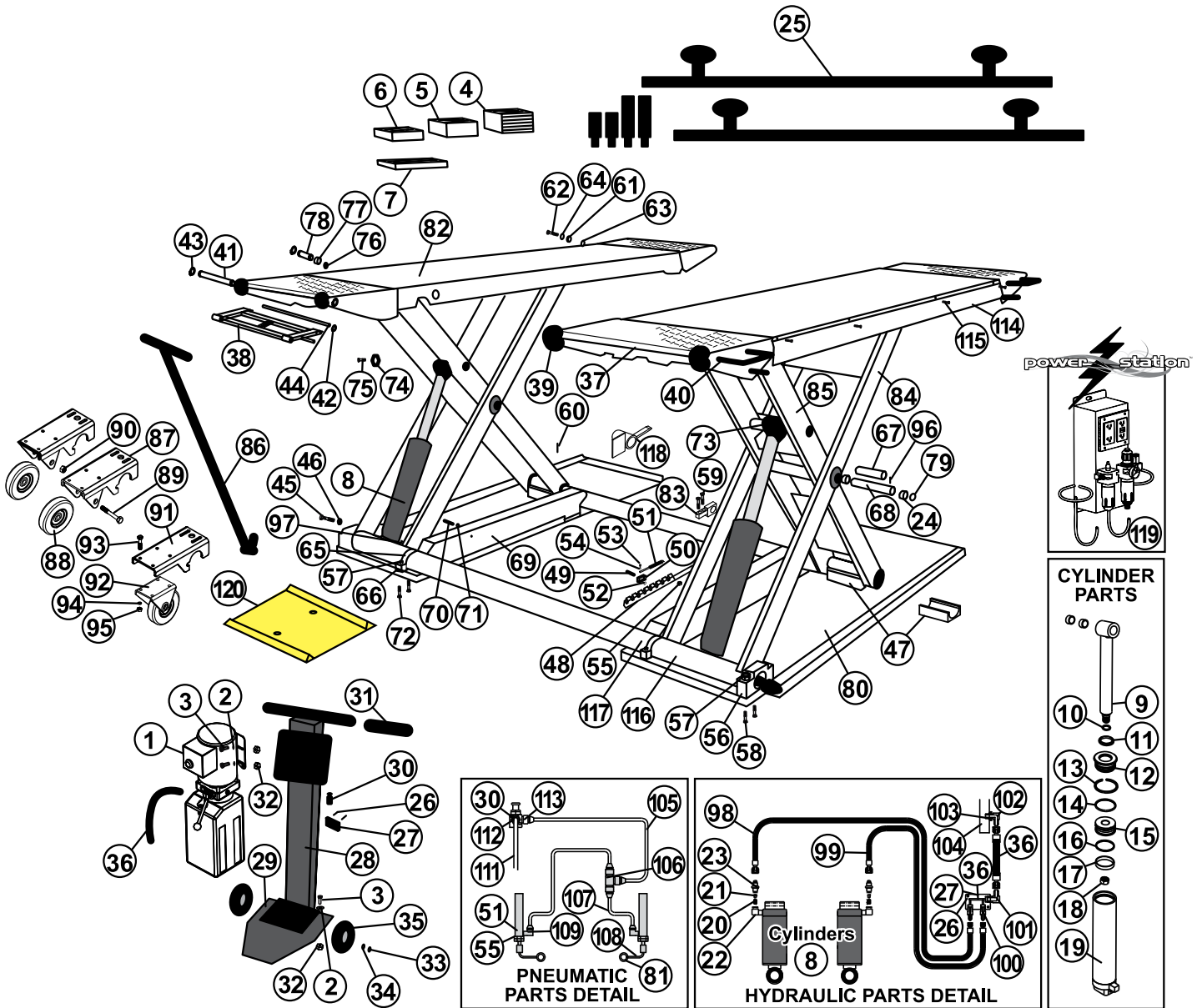


For Model MR6K-38

6,000 lb. Capacity Portable Mid-Rise Frame Lift

DIRECTFIT™
SVI's DIRECT FIT™ BRAND

NOTE: Also see similar lift model MR6.5K-38. Specify model when ordering parts.



Item SVI Part #	Cross Ref #	Cross Ref #	Description	Qty
1	BH-7007-01-XX	MR6K-38-105	BZ06 115VAC Power Unit (MR6K-38)	1
2	BH-7485-0290	MR6K-38-101	5301-00008-000 Flat Washer	8
3	BH-7488S-0033	MR6K-38-102	5101-08035-000 Nut	8
4	BH-9756-87	MR6K-38-075.1	JP09-00008-000 Rubber Adapter Block 6" Thick	4
5	BH-9756-86		Rubber Adapter Block 3" Thick	4
6	BH-9756-86T		Rubber Adapter Block 1-1/2"	4
7	BH-7488S-0034	MR6K-38-075	JP16-00019-000 Rubber Pad - Long	4
8	BH-7488S-0142	MR6K-38-032	161108032 Cylinder	2
9	BH-7488S-0036	MR6K-38-032.6	JP16-06200-000 Piston Rod	2
10	BH-7485-0420	MR6K-38-032.7	5901-00200-000 O-Ring	2
11	BH-7485-0565	MR6K-38-032.8	5906-00380-000 Dust Ring	2
12	BH-7488S-0037	MR6K-38-032.9	JP16-06004-000 Guide Ring	2
13	BH-7488S-0038	MR6K-38-032.10	JP16-06005-000 Steel Ring	2

Item SVI Part #	Cross Ref #	Cross Ref #	Description	Qty
14	BH-7488S-0039	MR6K-38-032.11	5901-00650-000 O-Ring	2
15	BH-7488S-0040	MR6K-38-032.12	JP16-06001-000 Piston	2
16	BH-7488S-0041	MR6K-38-032.13	5901-00700-000 Piston Seal	2
17	BH-7488S-0042	MR6K-38-032.14	JP16-06002-000 Guide Belt	2
18	BH-7488S-0043	MR6K-38-032.15	5201-00020-000 Nut, M20	2
19	BH-7488S-0044	MR6K-38-032.5A	JP16-06100-000 Cylinder Body	2
20	BH-7485-0409	MR6K-38-032.4	QY02-02101-000 Spring	2
21	BH-7488S-0045	MR6K-38-032.3	JP16-06006-000 Throttle Washer	2
22	BH-7488S-0046	MR6K-38-032.2	JP16-06007-000 Copper Washer	2
23	BH-7488S-0047	MR6K-38-052	1611081052 Fitting Connector	2
24	BH-7488S-0048	MR6K-38-138	JP16-01007-000 Bearing, D30 x 2 x 30	12
25	BH-7488S-0032	MR6K-38-SUV	SUV Adapter Set	1
26	BH-7488S-0049	MR6K-38-092	5105-05035-000 Socket Screw, M5 x 35mm	2

P
a
g
e
94



For Model MR6K-38

6,000 lb. Capacity Portable Mid-Rise Frame Lift

DIRECTFIT™
SVI's DIRECT FIT™ BRAND

NOTE: Also see similar lift model MR6.5K-38. Specify model when ordering parts.

Item SVI Part #	Cross Ref #	Cross Ref #	Description	Qty
27	BH-7488S-0050	MR6K-38-091	JP16-30002-000 Hyd. T-Block	1
28	BH-7488S-0051	MR6K-38-103	JP16-26200-000 Post Assembly for PU Dolly	1
29	BH-7488S-0052	MR6K-38-100	JP16-26100-000 Base Assembly for PU Dolly	1
30	BH-7488S-0053	MR6K-38-079	JP16-31100-000 Air Valve	1
31	BH-7488S-0054	MR6K-38-104	XC04-00002-000 Handle Sleeve	2
32	BH-7485-0334	MR6K-38-096	5206-00008-000 Lock Nut M8	8
33	BH-7488S-0055	MR6K-38-097	JP16-26001-000 Wheel Axle Cover	2
34	BH-7488S-0056	MR6K-38-098	5301-00016-000 Flat Washer, D16	2
35	BH-7488S-0057	MR6K-38-099	XC04-00001-000 Wheel for PU Dolly	2
36	BH-7488S-0058	MR6K-38-089	JP16-30100-000 Short Hydraulic Hose, PU	1
37	BH-7488S-0123	MR6K-38-040	1611081040 Ramp Assembly	4
38	BH-7488S-0124	MR6K-38-033	1611081033 Ramp Support	4
39	BH-7488S-0125	MR6K-38-039	1611081039 Roller	8
40	BH-7488S-0062	MR6K-38-053	JP16-12001-000 Ramp Handle	4
41	BH-7488S-0126	MR6K-38-037	1611081037 Ramp Shaft	4
42	BH-7488S-0127	MR6K-38-034	1611081034 Retaining Ring	16
43	BH-7485-0365	MR6K-38-038	5304-00014-000 Retaining Ring, D14	24
44	BH-7488S-0128	MR6K-38-042	1611081042 Spindle	4
45	BH-7488S-0129	MR6K-38-036	1611081036 Hex Screw	2
46	BH-7488S-0130	MR6K-38-035	1611081035 Washer	2
47	BH-7488S-0066	MR6K-38-007	JP16-00011-000 Half-Moon Slider	2
48	BH-7488S-0067	MR6K-38-004	JP16-00008-000 Lock Bar	2
49	BH-7488S-0068	MR6K-38-024	JP16-00013-000 Latch Pin	2
50	BH-7488S-0069	MR6K-38-025	JP16-00012-000 Lock Latch	2
51	BH-7488S-0070	MR6K-38-020	JP16-25400-000 Air Cylinder	2
52	BH-7485-0401	MR6K-38-021	5304-00018-000 Retaining Ring, D18	2
53	BH-7488S-0071	MR6K-38-022	5101-06012-000 Bolt	2
54	BH-7485-0274	MR6K-38-023	5301-00006-000 Flat Washer	2
55	BH-7488S-0072	MR6K-38-001	JP16-25006-000 Nut	4
56	BH-7488S-0073	MR6K-38-048	JP16-00001-000 Front Shaft Block	2
57	BH-7488S-0074	MR6K-38-030	5201-00012-000 Nut, M12	8
58	BH-7488S-0075	MR6K-38-049	5116-12085-000 Socket Screw, M12 x 85mm	4
59	BH-7488S-0076	MR6K-38-019	5105-16043-000 Socket Screw	4
60	BH-7488S-0077	MR6K-38-009	5402-08060-000 Cotter Pin	4
61	BH-7488S-0078	MR6K-38-017	JP16-00020-000 Roller	4
62	BH-7488S-0079	MR6K-38-018	JP16-00017-000 Roller Screw	4
63	BH-7488S-0080	MR6K-38-016	5201-00014-000 Nut	4
64	BH-7488S-0081	MR6K-38-140	JP16-00021-000 Bearing, D20 x 1.5 x 15	4
65	BH-7488S-0082	MR6K-38-029	JP16-00002-000 Shaft Seat Cover	2
66	BH-7488S-0083	MR6K-38-028	JP16-00003-000 Shaft Seat	2
67	BH-7488S-0084	MR6K-38-026	JP16-00007-000 Center Shaft Sleeve	2
68	BH-7488S-0085	MR6K-38-010	JP16-00006-000 Center Shaft	2
69	BH-7488S-0086	MR6K-38-027	JP16-00004-000 Latch Cover	2
70	BH-7488S-0087	MR6K-38-027.1	5110-05010-000 Screw, M5 x 10mm	4
71	BH-7485-0312	MR6K-38-027.2	5301-00005-000 Flat Washer, D5	4
72	BH-7488S-0088	MR6K-38-049.1	5116-12065-000 Socket Screw, M12 x 65mm	4
73	BH-7488S-0089	MR6K-38-015	JP16-00005-000 Cylinder Pin	2
74	BH-7488S-0090	MR6K-38-013	JP16-00014-000 Position Plate	2
75	BH-7488S-0091	MR6K-38-014	5105-05010-000 Socket Screw, M5 x 10mm	4

Item SVI Part #	Cross Ref #	Cross Ref #	Description	Qty
76	BH-7488S-0092	MR6K-38-045	5304-00020-000 Retaining Ring, D20	8
77	BH-7488S-0093	MR6K-38-139	JP16-02007-000 Bearing, D20 x 1.5 x 20	4
78	BH-7488S-0094	MR6K-38-046	JP16-00018-000 Upper Pin	4
79	BH-7488S-0095	MR6K-38-011	5301-00030-000 Flat Washer	4
80	BH-7488S-0131	MR6K-38-050	1611081050 Underframe Assembly	2
81	BH-7488S-0132	MR6K-38-085	1611081085 Loop	2
82	BH-7488S-0133	MR6K-38-041	1611081041 Platform	2
83	BH-7488S-0134	MR6K-38-005	1611081005 Spindle Spacer	2
84	BH-7488S-0135	MR6K-38-047	1611081047 Outer Scissor Frame	1
85	BH-7488S-0136	MR6K-38-008	1611081008 Inner Scissor Frame	2
86	BH-7488S-0102	MR6K-38-074	JP16-04000-000 Pull Bar	1
87	BH-7488S-0103	MR6K-38-068	JP16-05001-000 Wheel Plate-1	2
88	BH-7488S-0104	MR6K-38-072	JP16-05003-000 Fixed Caster Wheel	2
89	BH-7488S-0105	MR6K-38-066	5101-08065-000 Bolt, M8 x 65mm	3
90	BH-7485-0588	MR6K-38-071	5201-00008-000 Nut, M8	2
91	BH-7488S-0106	MR6K-38-068.1	JP16-05001-001 Wheel Plate-2	1
92	BH-7488S-0107	MR6K-38-070	JP16-05002-001 Swivel Caster Wheel	1
93	BH-7488S-0108	MR6K-38-069	5109-08020-000 Socket Screw, M8 x 20mm	4
94	BH-7485-0290	MR6K-38-067	5301-00008-000 Flat Washer, D8	12
95	BH-7485-0334	MR6K-38-073	5206-00008-000 Self-Lock Nut, M8	4
96	BH-7488S-0109	MR6K-38-012	5402-06040-000 Roll Pin, D6 x 40mm	4
97	BH-7485-0334	MR6K-38-031	5206-00008-000 Self-Lock Nut, M8	2
98	BH-7488S-0110	MR6K-38-145	JP16-22000-000 Long Hyd. Hose	1
99	BH-7488S-0111	MR6K-38-144	JP16-23000-000 Medium Hyd. Hose	1
100	BH-7488S-0112	MR6K-38-143	JP16-30003-000 Straight Hyd. Fitting (T-Block)	2
101	BH-7485-0267	MR6K-38-090	SJ01-03002-000 90 Fitting Connector (T-Block)	1
102	BH-7485-0331	MR6K-38-088	SJ01-12001-000 90 Fitting Connector (V-Block)	1
103	BH-7485-0367	MR6K-38-087	5901-00118-000 O-Ring, D11.8 x D1.8	1
104	BH-7488S-0113	MR6K-38-086	Hyd. Valve Block	1
105	BH-7488S-0114	MR6K-38-080	JP16-25004-000 Air Hose 3	1
106	BH-7488S-0115	MR6K-38-081	JP16-25300-000 Air T-Fitting	1
107	BH-7488S-0116	MR6K-38-082	JP16-25005-000 Air Hose 4	1
108	BH-7488S-0117	MR6K-38-084	Steel Cable	2
109	BH-7488S-0118	MR6K-38-076	JP16-25100-000 90 Quick Air Fitting	2
110	BH-7488S-0119	MR6K-38-077	JP16-25001-000 Air Hose 1	1
111	BH-7488S-0120	MR6K-38-078	JP16-25002-000 Air Hose 2	1
112	BH-7488S-0121	MR6K-38-078.1	DK04-08006-000 Straight Quick Air Fitting-3	1
113	BH-7488S-0122	MR6K-38-078.2	DK04-08004-000 Straight Quick Air Fitting-2	1
114	BH-7488S-0137	MR6K-38-043	1611081043 Side Protection Plate	2
115	BH-7488S-0138	MR6K-38-044	1611081044 Bolt	8
116	BH-7488S-0139	MR6K-38-002	1611081002 Connection Pipe Jointing	1
117	BH-7488S-0140	MR6K-38-003	1611081003 Spindle	1
118	BH-7488S-0141	MR6K-38-006	1611081006 Safety Limit Assembly	2
119	BH-7070-K		Power Station™ Air / Electric Utility Box	1
120	BH-9701		Single Wheel Spotter Dish 10-3/4" x 15" Wide	1

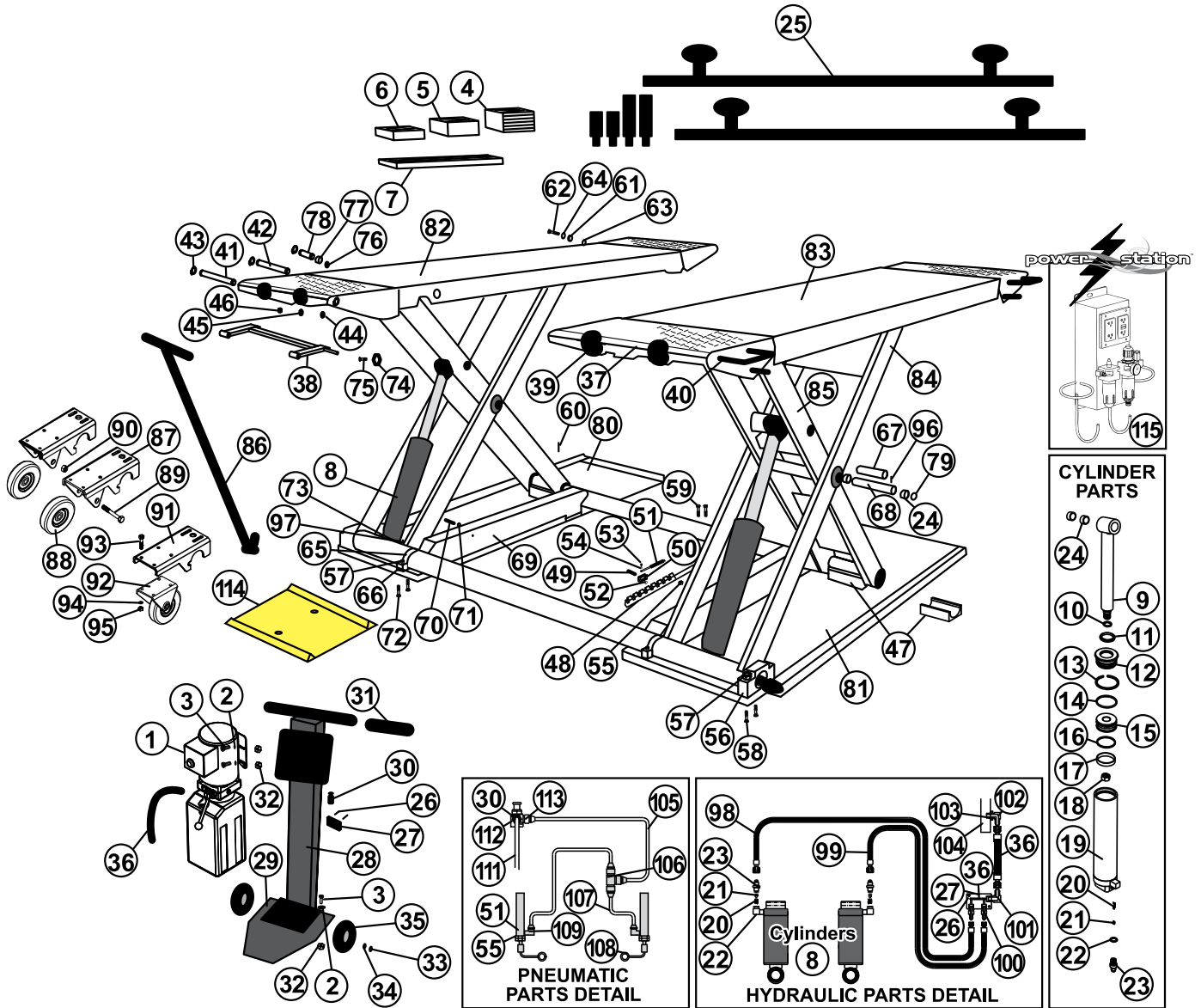


For Model MR6.5K-38

6,500 lb. Capacity Portable Mid-Rise Frame Lift

DIRECTFIT™
SVI's DIRECT FIT™ BRAND

NOTE: Also see similar lift model MR6K-38. Specify model when ordering parts.



Item SVI Part #	Cross Ref #	Cross Ref #	Description	Qty
1	BH-7007-01-XX	MR6.5K-38-105	BZ06 115VAC Power Unit (MR6K-38)	1
2	BH-7485-0290	MR6.5K-38-101	5301-00008-000 Flat Washer	8
3	BH-7488S-0033	MR6.5K-38-102	5101-08035-000 Nut	8
4	BH-9756-87	MR6.5K-38-075.1	JP09-00008-000 Rubber Adapter Block 6" Thick	4
5	BH-9756-86		Rubber Adapter Block 3" Thick	4
6	BH-9756-86T		Rubber Adapter Block 1-1/2"	4
7	BH-7488S-0034	MR6.5K-38-075	JP16-00019-000 Rubber Pad - Long	4
8	BH-7488S-0035	MR6.5K-38-032.1	JP16-06000-C00 Cylinder	2
9	BH-7488S-0036	MR6.5K-38-032.6	JP16-06200-000 Piston Rod	2
10	BH-7485-0420	MR6.5K-38-032.7	5901-00200-000 O-Ring	2
11	BH-7485-0565	MR6.5K-38-032.8	5906-00380-000 Dust Ring	2
12	BH-7488S-0037	MR6.5K-38-032.9	JP16-06004-000 Guide Ring	2
13	BH-7488S-0038	MR6.5K-38-032.10	JP16-06005-000 Steel Ring	2

Item SVI Part #	Cross Ref #	Cross Ref #	Description	Qty
14	BH-7488S-0039	MR6.5K-38-032.11	5901-00650-000 O-Ring	2
15	BH-7488S-0040	MR6.5K-38-032.12	JP16-06001-000 Piston	2
16	BH-7488S-0041	MR6.5K-38-032.13	5901-00700-000 Piston Seal	2
17	BH-7488S-0042	MR6.5K-38-032.14	JP16-06002-000 Guide Belt	2
18	BH-7488S-0043	MR6.5K-38-032.15	5201-00020-000 Nut, M20	2
19	BH-7488S-0044	MR6.5K-38-032.5A	JP16-06100-000 Cylinder Body	2
20	BH-7485-0409	MR6.5K-38-032.4	QY02-02101-000 Spring	2
21	BH-7488S-0045	MR6.5K-38-032.3	JP16-06006-000 Throttle Washer	2
22	BH-7488S-0046	MR6.5K-38-032.2	JP16-06007-000 Copper Washer	2
23	BH-7488S-0047	MR6.5K-38-032.20	JP16-06008-000 Fitting Connector	2
24	BH-7488S-0048	MR6.5K-38-138	JP16-01007-000 Bearing, D30 x 2 x 30	12
25	BH-7488S-0032	MR6K-38-SUV	SUV Adapter Set	1
26	BH-7488S-0049	MR6.5K-38-092	5105-05035-000 Socket Screw, M5 x 35mm	2

P
a
g
e
96



For Model MR6.5K-38

6,500 lb. Capacity Portable Mid-Rise Frame Lift

DIRECTFIT™
SVI's DIRECT FIT™ BRAND

NOTE: Also see similar lift model MR6K-38. Specify model when ordering parts.

Item SVI Part #	Cross Ref #	Cross Ref #	Description	Qty	
27	BH-7488S-0050	MR6.5K-38-091	JP16-30002-000	Hyd. T-Block	1
28	BH-7488S-0051	MR6.5K-38-103	JP16-26200-000	Post Assembly for PU Dolly	1
29	BH-7488S-0052	MR6.5K-38-100	JP16-26100-000	Base Assembly for PU Dolly	1
30	BH-7488S-0053	MR6.5K-38-079	JP16-31100-000	Air Valve	1
31	BH-7488S-0054	MR6.5K-38-104	XC04-00002-000	Handle Sleeve	2
32	BH-7485-0334	MR6.5K-38-096	5206-00008-000	Lock Nut M8	8
33	BH-7488S-0055	MR6.5K-38-097	JP16-26001-000	Wheel Axle Cover	2
34	BH-7488S-0056	MR6.5K-38-098	5301-00016-000	Flat Washer, D16	2
35	BH-7488S-0057	MR6.5K-38-099	XC04-00001-000	Wheel for PU Dolly	2
36	BH-7488S-0058	MR6.5K-38-089	JP16-30100-000	Short Hydraulic Hose, P.U.	1
37	BH-7488S-0059	MR6.5K-38-040	JP16-12100-000	Ramp	4
38	BH-7488S-0060	MR6.5K-38-033	JP16-14000-000	Ramp Support	4
39	BH-7488S-0061	MR6.5K-38-034	JP16-12108-000	Roller	8
40	BH-7488S-0062	MR6.5K-38-053	JP16-12001-000	Ramp Handle	4
41	BH-7488S-0063	MR6.5K-38-037	JP16-00015-000	Ramp Shaft	4
42	BH-7488S-0064	MR6.5K-38-039	JP16-00016-000	Ramp Support Axle	8
43	BH-7485-0365	MR6.5K-38-038	5304-00014-000	Retaining Ring, D14	24
44	BH-7485-0588	MR6.5K-38-041	5201-00010-000	Nut, M10	8
45	BH-7485-0328	MR6.5K-38-042	5303-00010-000	Spring Washer, D10	8
46	BH-7485-0315	MR6.5K-38-052	5301-00010-000	Flat Washer, D18	8
47	BH-7488S-0066	MR6.5K-38-007	JP16-00011-000	Half-Moon Slider	2
48	BH-7488S-0067	MR6.5K-38-004	JP16-00008-000	Lock Bar	2
49	BH-7488S-0068	MR6.5K-38-024	JP16-00013-000	Latch Pin	2
50	BH-7488S-0069	MR6.5K-38-025	JP16-00012-000	Lock Latch	2
51	BH-7488S-0070	MR6.5K-38-020	JP16-25400-000	Air Cylinder	2
52	BH-7485-0401	MR6.5K-38-021	5304-00018-000	Retaining Ring, D18	2
53	BH-7488S-0071	MR6.5K-38-022	5101-06012-000	Bolt	2
54	BH-7485-0274	MR6.5K-38-023	5301-00006-000	Flat Washer	2
55	BH-7488S-0072	MR6.5K-38-001	JP16-25006-000	Nut	4
56	BH-7488S-0073	MR6.5K-38-048	JP16-00001-000	Front Shaft Block	2
57	BH-7488S-0074	MR6.5K-38-030	5201-00012-000	Nut, M12	8
58	BH-7488S-0075	MR6.5K-38-049	5116-12085-000	Socket Screw, M12 x 85mm	4
59	BH-7488S-0076	MR6.5K-38-019	5105-16043-000	Socket Screw	4
60	BH-7488S-0077	MR6.5K-38-009	5402-08060-000	Roll Pin	4
61	BH-7488S-0078	MR6.5K-38-017	JP16-00020-000	Roller	4
62	BH-7488S-0079	MR6.5K-38-018	JP16-00017-000	Roller Screw	4
63	BH-7488S-0080	MR6.5K-38-016	5201-00014-000	Nut	4
64	BH-7488S-0081	MR6.5K-38-140	JP16-00021-000	Bearing, D20 x 1.5 x 15	4
65	BH-7488S-0082	MR6.5K-38-029	JP16-00002-000	Shaft Seat Cover	2
66	BH-7488S-0083	MR6.5K-38-028	JP16-00003-000	Shaft Seat	2
67	BH-7488S-0084	MR6.5K-38-026	JP16-00007-000	Center Shaft Sleeve	2
68	BH-7488S-0085	MR6.5K-38-010	JP16-00006-000	Center Shaft	2
69	BH-7488S-0086	MR6.5K-38-027	JP16-00004-000	Latch Cover	2
70	BH-7488S-0087	MR6.5K-38-027.1	5110-05010-000	Screw, M5 x 10mm	4
71	BH-7485-0312	MR6.5K-38-027.2	5301-00005-000	Flat Washer, D5	4
72	BH-7488S-0088	MR6.5K-38-049.1	5116-12065-000	Socket Screw, M12 x 65mm	4

Item SVI Part #	Cross Ref #	Cross Ref #	Description	Qty	
73	BH-7488S-0089	MR6.5K-38-015	JP16-00005-000	Cylinder Pin	2
74	BH-7488S-0090	MR6.5K-38-013	JP16-00014-000	Position Plate	2
75	BH-7488S-0091	MR6.5K-38-014	5105-05010-000	Socket Screw, M5 x 10mm	4
76	BH-7488S-0092	MR6.5K-38-045	5304-00020-000	Retaining Ring, D20	8
77	BH-7488S-0093	MR6.5K-38-139	JP16-02007-000	Bearing, D20 x 1.5 x 20	4
78	BH-7488S-0094	MR6.5K-38-046	JP16-00018-000	Upper Pin	4
79	BH-7488S-0095	MR6.5K-38-011	5301-00030-000	Flat Washer	4
80	BH-7488S-0096	MR6.5K-38-050A	JP16-10000-001	Underframe Assy. (LH)	1
81	BH-7488S-0097	MR6.5K-38-050.1A	JP16-11000-001	Underframe Assy. (RH)	1
82	BH-7488S-0098	MR6.5K-38-141.1	JP16-16000-C00	Platform Assy. (LH)	1
83	BH-7488S-0099	MR6.5K-38-142.1	JP16-17000-C00	Platform Assy. (RH)	1
84	BH-7488S-0100	MR6.5K-38-047.1	JP16-01000-001	Outer Scissor Frame	1
85	BH-7488S-0101	MR6.5K-38-008A	JP16-02000-002	Inner Scissor Frame	1
86	BH-7488S-0102	MR6.5K-38-074	JP16-04000-000	Pull Bar	1
87	BH-7488S-0103	MR6.5K-38-068	JP16-05001-000	Wheel Plate-1	2
88	BH-7488S-0104	MR6.5K-38-072	JP16-05003-000	Fixed Caster Wheel	2
89	BH-7488S-0105	MR6.5K-38-066	5101-08065-000	Bolt, M8 x 65mm	3
90	BH-7485-0588	MR6.5K-38-071	5201-00008-000	Nut, M8	2
91	BH-7488S-0106	MR6.5K-38-068.1	JP16-05001-001	Wheel Plate-2	1
92	BH-7488S-0107	MR6.5K-38-070	JP16-05002-001	Swivel Caster Wheel	1
93	BH-7488S-0108	MR6.5K-38-069	5109-08020-000	Socket Screw, M8 x 20mm	4
94	BH-7485-0290	MR6.5K-38-067	5301-00008-000	Flat Washer, D8	12
95	BH-7485-0334	MR6.5K-38-073	5206-00008-000	Self-Lock Nut, M8	4
96	BH-7488S-0109	MR6.5K-38-012	5402-06040-000	Roll Pin, D6 x 40mm	4
97	BH-7485-0334	MR6.5K-38-031	5206-00008-000	Self-Lock Nut, M8	2
98	BH-7488S-0110	MR6.5K-38-145	JP16-22000-000	Long Hyd. Hose	1
99	BH-7488S-0111	MR6.5K-38-144	JP16-23000-000	Medium Hyd. Hose	1
100	BH-7488S-0112	MR6.5K-38-143	JP16-30003-000	Straight Hyd. Fitting (T-Block)	2
101	BH-7485-0267	MR6.5K-38-090	SJ01-03002-000	90 Fitting Connector (T-Block)	1
102	BH-7485-0331	MR6.5K-38-088	SJ01-12001-000	90 Fitting Connector (V-Block)	1
103	BH-7485-0367	MR6.5K-38-087	5901-00118-000	O-Ring, D11.8 x D1.8	1
104	BH-7488S-0113	MR6.5K-38-086		Hyd. Valve Block	1
105	BH-7488S-0114	MR6.5K-38-080	JP16-25004-000	Air Hose 3	1
106	BH-7488S-0115	MR6.5K-38-081	JP16-25300-000	Air T-Fitting	1
107	BH-7488S-0116	MR6.5K-38-082	JP16-25005-000	Air Hose 4	1
108	BH-7488S-0117	MR6.5K-38-084		Steel Cable	2
109	BH-7488S-0118	MR6.5K-38-076	JP16-25100-000	90 Quick Air Fitting	2
110	BH-7488S-0119	MR6.5K-38-077	JP16-25001-000	Air Hose 1	1
111	BH-7488S-0120	MR6.5K-38-078	JP16-25002-000	Air Hose 2	1
112	BH-7488S-0121	MR6.5K-38-078.1	DK04-08006-000	Straight Quick Air Fitting-3	1
113	BH-7488S-0122	MR6.5K-38-078.2	DK04-08004-000	Straight Quick Air Fitting-2	1
114	BH-9701			Single Wheel Spotter Dish 10-3/4" x 15" Wide	1
115	BH-7070-K			Power Station™ Air / Electric Utility Box	1

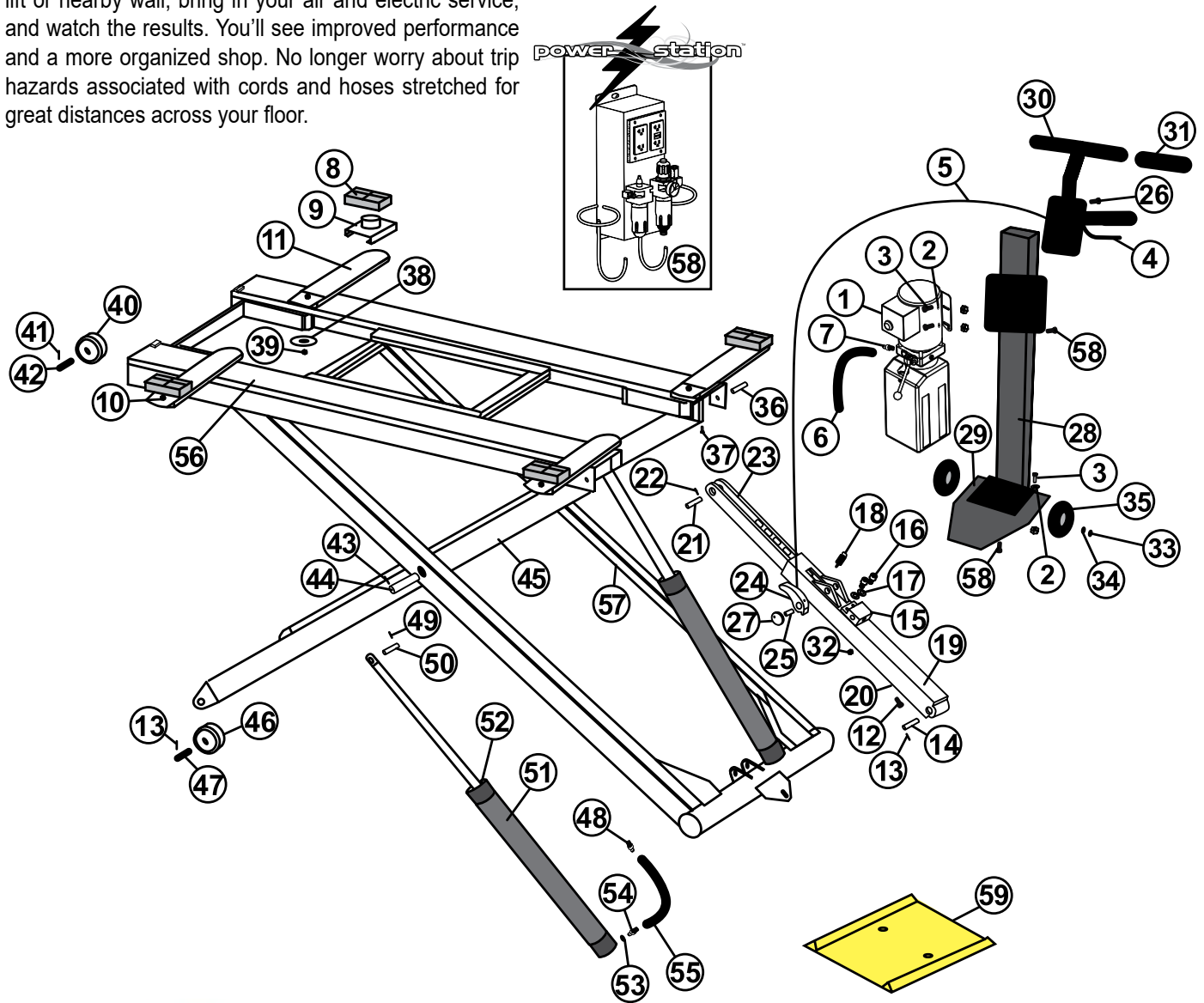
For Model MR6K-48X

6,000 lb. Capacity Mid-Rise Scissor Lift

DIRECTFIT™
SVI's DIRECT FIT™ BRAND

POWER STATION™ AIR / ELECTRIC UTILITY BOX

Simply install the PowerStation™ on your surface-mount lift or nearby wall, bring in your air and electric service, and watch the results. You'll see improved performance and a more organized shop. No longer worry about trip hazards associated with cords and hoses stretched for great distances across your floor.



P
a
g
e

98

**POWER STATION™
AIR / ELECTRIC
UTILITY BOX**

*Easily mounts
on your lift or
a nearby wall!*

Auto Lift Power Units and Parts

Call SVI today!



For Model MR6K-48X

6,000 lb. Capacity Mid-Rise Scissor Lift

DIRECTFIT™
SVI's DIRECT FIT™ BRAND

Item SVI Part #	Cross Ref #	Cross Ref #	Description	Qty
1	BH-7007-01-XX	PU-110V-S-K	115VAC Power Unit (MR6K-38)	1
2	BH-7488S-0143	MR6K-48X-009B	Nut M8 x 25	4
3	BH-7488S-0144	MR6K-48X-008B	Bolt M8 x 25	8
4	BH-7488S-0145	MR6K-48X-013B	Lock Release Handle	1
5	BH-7488S-0146	MR6K-48X-010B	Lock Release Cable	1
6	BH-7488S-0147	MR6K-48X-018B	QJYJ3-2 Hydraulic Hose to PU 155"	1
7	BH-7488S-0148	MR6K-48X-017B	Hose Fitting to PU	1
8	BH-7488S-0149	MR6K-48X-039BX	QJYJ-03-3 Rubber Pad	4
9	BH-7488S-0150	MR6K-48X-038B	QJYJ3-03-2 Saddle Pad	4
10	BH-7488S-0151	MR6K-48X-043B	Bolt M10 x 20	4
11	BH-7488S-0152	MR6K-48X-042BX	QJYJ0-03 Arm Extension Assembly	4
12	BH-7488S-0153	MR6K-48X-033B	QJYJ3-5 Bolt M6	1
13	BH-7488S-0154	MR6K-48X-021B	Pin 3mm x 40mm	6
14	BH-7488S-0155	MR6K-48X-020B	QJYJ3-02-13 Safety Locking Pin - lower	1
15	BH-7488S-0156	MR6K-48X-036B-12C	QJYJ3-02-14/4 T-Valve Hyd	1
16	BH-7488S-0157	MR6K-48X-036B-11C	Bolt M8 x 16	2
17	BH-7488S-0158	MR6K-48X-036B-10C	Washer D8	2
18	BH-7488S-0159	MR6K-48X-036B-2C	QJYJ3-02-14/6 Lock Spring	1
19	BH-7488S-0160	MR6K-48X-036B-9C	QJYJ3-02-14 Lock Tube	1
20	BH-7488S-0161	MR6K-48X-036B	QJYJ3-02-14 Safety Lock Assembly	1
21	BH-7488S-0162	MR6K-48X-032B	QJYJ3-02-11 Safety Lock Pin - upper	1
22	BH-7488S-0163	MR6K-48X-003B	Pin 3mm x 40mm	2
23	BH-7488S-0164	MR6K-48X-036B-4C	QJYJ3-02-14/1 Lock Bar	1
24	BH-7488S-0165	MR6K-48X-036B-3C	QJYJ3-02-14/3 Lock Latch	1
25	BH-7488S-0166	MR6K-48X-036B-1C	Lock Pin	1
26	BH-7488S-0167	MR6K-48X-012B	Bolt M8 x 25	4
27	BH-7488S-0168	MR6K-48X-036B-5C	QJYJ3-02-14/5 Lock Cam	1
28	BH-7488S-0169	MR6K-48X-014B	Bolt M8 x 25	8
29	BH-7488S-0170	MR6K-48X-015B	QJYJ3-01-2/1 Dolly Stand - Main	1
30	BH-7488S-0171	MR6K-48X-048B	QJYJ3-01-2/2 Dolly Base Plate	1
31	BH-7488S-0172	MR6K-48X-011B	QJYJ3-01-1 Dolly Handle	1
31	BH-7488S-0173	MR6K-48X-016B	Rubber Hand Grip	3

Item SVI Part #	Cross Ref #	Cross Ref #	Description	Qty
32	BH-7488S-0174	MR6K-48X-034B	QJYJ3-4 Nut M6 x 40	1
33	BH-7488S-0175	MR6K-48X-046B	Locking Nut M12	2
34	BH-7488S-0176	MR6K-48X-049B	Washer D12	2
35	BH-7488S-0177	MR6K-48X-045B	Dolly Caster Wheel	2
36	BH-7488S-0178	MR6K-48X-030B	QJYJ3-02-5 Platform Pin	2
37	BH-7488S-0179	MR6K-48X-047BX	Screw M6x16	2
38	BH-7488S-0180	MR6K-48X-041B	Washer D20	4
39	BH-7488S-0181	MR6K-48X-040B	Locking Nut M20	4
40	BH-7488S-0182	MR6K-48X-028B	QJYJ3-02-7 Small Wheel, Upper	2
41	BH-7488S-0183	MR6K-48X-002B	Pin 3mm x 40mm	2
42	BH-7488S-0184	MR6K-48X-029B	QJYJ3-02-6 Small Wheel Pin	2
43	BH-7488S-0185	MR6K-48X-037BX	Pin 4mm x 50mm	2
44	BH-7488S-0186	MR6K-48X-023B	QJYJ3-02-8 Scissor Pin	2
45	BH-7488S-0187	MR6K-48X-025B	QJYJ3-02-4 Inside Scissor	1
46	BH-7488S-0188	MR6K-48X-027B	QJYJ3-02-9 Large Roller, Lower	2
47	BH-7488S-0189	MR6K-48X-026B	QJYJ3-02-10 Large Roller Pin	2
48	BH-7488S-0190	MR6K-48X-004B	Hose fitting from T - HYD	1
49	BH-7488S-0191	MR6K-48X-044B	Pin 3mm x 40mm	2
50	BH-7488S-0192	MR6K-48X-031B	QJYJ3-02-12 Cylinder Pin	2
51	BH-7488S-0193	MR6K-48X-035B	HQJYJ3-02-2 Cylinder	2
52	BH-7488S-0194	MR6K-48X-035Bx	HQJYJ3-02-2x Seal Kit for Hydraulic Cylinder	2
53	BH-7488S-0195	MR6K-48X-019B	QJYJ3-6 Check Valve	2
54	BH-7488S-0196	MR6K-48X-006B	Hose Fitting to Cylinder	2
55	BH-7488S-0197	MR6K-48X-005B	QJYJ3-7 Cylinder Hose	2
56	BH-7488S-0198	MR6K-48X-001-BX	XF01-04000-000 Top Platform	1
57	BH-7488S-0199	MR6K-48X-024B	QJYJ3-02-1 Outside Scissor	1
58	BH-7070-K		Power Station™ Air / Electric Utility Box	1
59	BH-9701		Single Wheel Spotter Dish 10-3/4" x 15" Wide	1

Tire Changer Parts and Accessories

For Most Makes and Models

See our [Tire Changer Repair Parts Catalog!](#)



Brake Lathe Repair Parts

For Most Makes and Models

See our [Brake Lathe Repair Parts Catalog!](#)





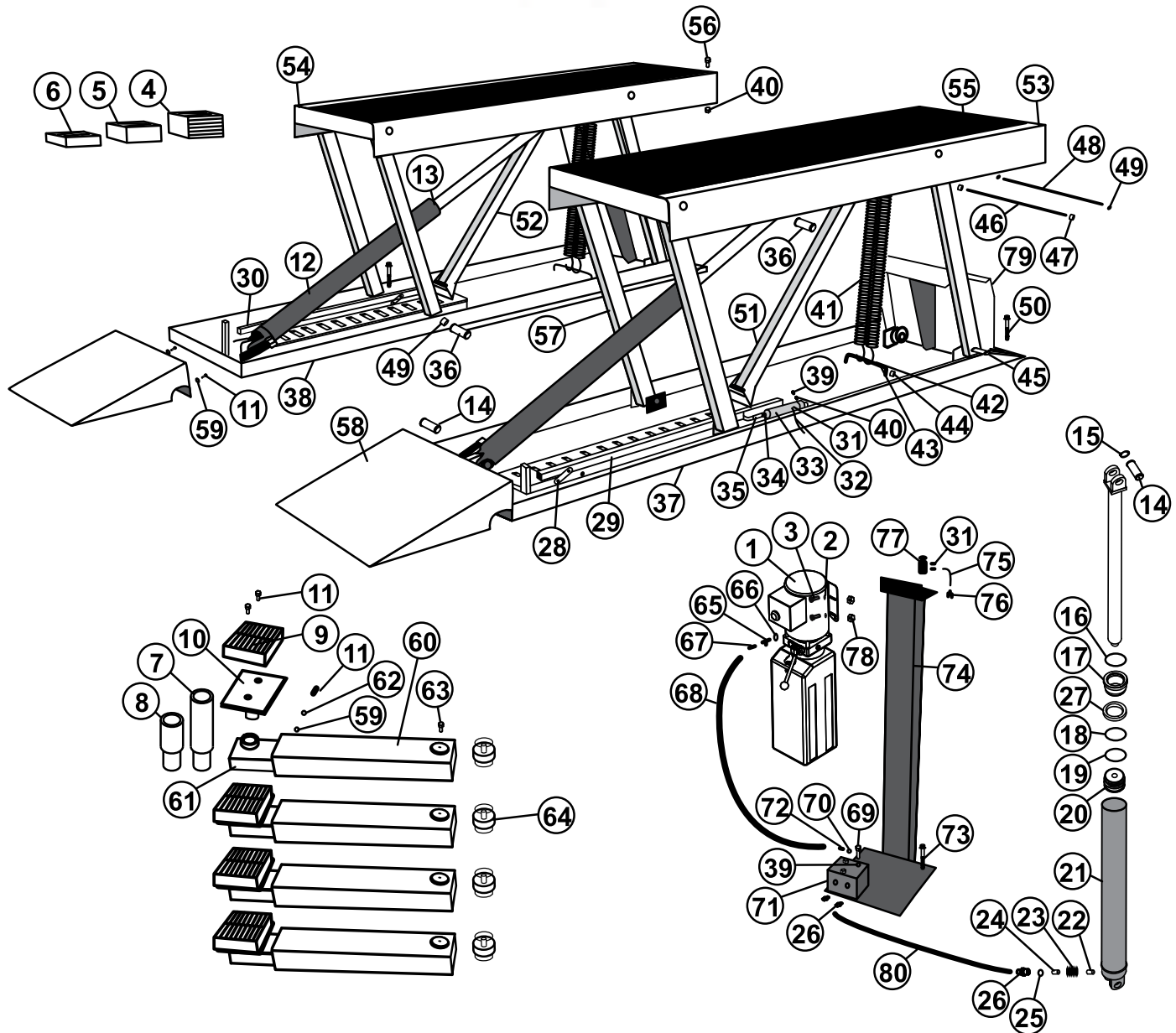
For Model PL6K
6,600 lb. Capacity Low-Rise Lift

DIRECTFIT™
SVI's DIRECT FIT™ BRAND



POWER STATION™
AIR / ELECTRIC UTILITY BOX

Simply install the PowerStation™ on your surface-mount lift or nearby wall, bring in your air and electric service, and watch the results. You'll see improved performance and a more organized shop. No longer worry about trip hazards associated with cords and hoses stretched for great distances across your floor.





For Model PL6K

6,600 lb. Capacity Low-Rise Lift

DIRECTFIT™
SVI's DIRECT FIT™ BRAND

Item SVI Part #	Cross Ref #	Cross Ref #	Description	Qty
1	BH-7006A	PL6K-051 161109E*01-051	Motor Pump 220V 60 Hz	1
2	BH-7488S-0200	PL6K-052 161109E*01-052	Flat Washer Ø8	4
3	BH-7488S-0201	PL6K-053 161109E*01-053	Bolt M8 x 20	2
4	BH-9756-87		Rubber Adapter Block 6" Thick	4
5	BH-9756-86	PL6K-071 161109E*01-071	Rubber Adapter Block 3" Thick	4
6	BH-9756-86T	PL6K-072 161109E*01-072	Rubber Adapter Block 1-1/2"	4
7	BH-7488S-0202	PL6K-073 161109E*01-073	Nesting Height Extension Tall	4
8	BH-7488S-0203	PL6K-074 161109E*01-074	Nesting Height Extension Short	4
9	BH-7101-00	PL6K-064 161109E*01-064	Rubber Pad	4
9	BH-7101-00-4	PL6K-064x 161109E*01-064x	Rubber Pad KIT of 4 Pads	4
10	BH-7488S-0204	PL6K-065 161109E*01-065	Lift Adapter Base Only	4
11	BH-7488S-0205	PL6K-035 161109E*01-035	Bolt M10 x 20	8
12	BH-7488S-0206	PL6K-018 161109E*01-018	Hydraulic Cylinder	2
13	BH-7488S-0207	PL6K-018x 161109E*01-018x	Seal Kit for Hydraulic Cylinder	2
14	BH-7488S-0208	PL6K-016 161109E*01-016	Cylinder Pin	4
15	BH-7488S-0209	PL6K-017 161109E*01-017	Retaining Ring Ø20	22
16	BH-7488S-0210	PL6K-019 161109E*01-019	Dust Ring	2
17	BH-7488S-0211	PL6K-020 161109E*01-020	Guide Ring	2
18	BH-7488S-0212	PL6K-022 161109E*01-022	O-Ring	2
19	BH-7488S-0213	PL6K-023 161109E*01-023	Seal Ring	2
20	BH-7488S-0214	PL6K-024 161109E*01-024	Piston	2
21	BH-7488S-0215	PL6K-025 161109E*01-025	Cylinder Body	2
22	BH-7488S-0216	PL6K-027 161109E*01-027	Board	2
23	BH-7488S-0217	PL6K-029 161109E*01-029	Spring	2
24	BH-7488S-0218	PL6K-028 161109E*01-028	Flow-Limit Valve	2
25	BH-7488S-0219	PL6K-037 161109E*01-037	Copper Washer Ø14	4
26	BH-7488S-0220	PL6K-030 161109E*01-030	Ext Pipe M14 x 1.5, 9/16-18	4
27	BH-7488S-0221	PL6K-021 161109E*01-021	Guide Circle	2
28	BH-7488S-0222	PL6K-026 161109E*01-026	Chain Part	4
29	BH-7488S-0223	PL6K-032 161109E*01-032	Safety Lock - Left	1
30	BH-7488S-0224	PL6K-032-1 161109E*01-032-1	Safety Lock - Right	1
31	BH-7488S-0225	PL6K-010 161109E*01-010	Air Fitting 1/8 Ø6	4
32	BH-7488S-0226	PL6K-011 161109E*01-011	Air Pipe Ø6, 4m	2
33	BH-7488S-0227	PL6K-012 161109E*01-012	Air Cylinder	2
34	BH-7488S-0228	PL6K-013 161109E*01-013	Nut M8	2
35	BH-7488S-0229	PL6K-014 161109E*01-014	Clevis	2
36	BH-7488S-0230	PL6K-015 161109E*01-015	Short Shaft	6
37	BH-7488S-0231	PL6K-001 161109E*01-001	Left Base	1
38	BH-7488S-0232	PL6K-001-1 161109E*01-001-1	Right Base	1
39	BH-7488S-0233	PL6K-009 161109E*01-009	Bolt M6 x 25	4
40	BH-7488S-0234	PL6K-008 161109E*01-008	Self-Lock Nut M6	16
41	BH-7488S-0235	PL6K-006 161109E*01-006	Spring	4
42	BH-7488S-0236	PL6K-005 161109E*01-005	Bolt M10 x 90	2
43	BH-7488S-0237	PL6K-004 161109E*01-004	Sleeve	2

Item SVI Part #	Cross Ref #	Cross Ref #	Description	Qty
44	BH-7488S-0238	PL6K-003 161109E*01-003	Self-Lock Nut M10	2
45	BH-7488S-0239	PL6K-002 161109E*01-002	Long Shaft	4
46	BH-7488S-0240	PL6K-007 161109E*01-007	Long Threaded Rod	2
47	BH-7488S-0241	PL6K-059 161109E*01-059	Self-Lock Nut M16	4
48	BH-7488S-0242	PL6K-057 161109E*01-057	Axle	4
49	BH-7488S-0243	PL6K-056 161109E*01-056	Bearing Ø20 x Ø23 x 20	28
50	BH-7075-03	PL6K-036 161109E*01-036	Wedge Anchor	12
51	BH-7488S-0245	PL6K-058 161109E*01-058	Left Locking Bar	1
52	BH-7488S-0246	PL6K-058-1 161109E*01-058-1	Right Locking Bar	1
53	BH-7488S-0247	PL6K-060 161109E*01-060	Left Platform	1
54	BH-7488S-0248	PL6K-060-1 161109E*01-060-1	Right Platform	1
55	BH-7488S-0249	PL6K-061 161109E*01-061	Rubber Pad	2
56	BH-7488S-0250	PL6K-062 161109E*01-062	Screw	12
57	BH-7488S-0251	PL6K-055 161109E*01-055	Support Frame	4
58	BH-7488S-0252	PL6K-033 161109E*01-033	Ramp	2
59	BH-7488S-0253	PL6K-034 161109E*01-034	Flat Washer Ø10	11
60	BH-7488S-0254	PL6K-068 161109E*01-068	Lifting Arm	4
61	BH-7488S-0255	PL6K-066 161109E*01-066	Extension Arm	4
62	BH-7488S-0256	PL6K-067 161109E*01-067	Spring Washer Ø10	4
63	BH-7488S-0257	PL6K-069 161109E*01-069	Bolt M6 x 10	4
64	BH-7488S-0258	PL6K-070 161109E*01-070	Blocker	4
65	BH-7488S-0259	PL6K-045 161109E*01-045	T-Fitting	1
66	BH-7488S-0260	PL6K-046 161109E*01-046	O-Ring Ø10 x 2.4	1
67	BH-7488S-0261	PL6K-044 161109E*01-044	Blocked Nut	1
68	BH-7488S-0262	PL6K-040 161109E*01-040	Short Oil Hose	1
69	BH-7488S-0263	PL6K-041 161109E*01-041	Bolt M10 x 80	3
70	BH-7488S-0264	PL6K-038 161109E*01-038	Copper Washer Ø16	1
71	BH-7488S-0265	PL6K-054 161109E*01-054	Flow Divider	1
72	BH-7488S-0266	PL6K-039 161109E*01-039	Connector (2#) M16 x 1.5; 9/16-18	1
73	BH-7488S-0267	PL6K-042 161109E*01-042	Anchor M8 x 80	3
74	BH-7488S-0268	PL6K-043 161109E*01-043	Pump Stand	1
75	BH-7488S-0269	PL6K-049 161109E*01-049	Short Air Pipe Ø6, 1.5M	1
76	BH-7488S-0270	PL6K-050 161109E*01-050	Y-Fitting 1/8 Ø6	1
77	BH-7488S-0271	PL6K-048 161109E*01-048	Air Valve	1
78	BH-7488S-0272	PL6K-047 161109E*01-047	Self-Lock Nut M8	2
79	BH-7488S-0273	PL6K-063 161109E*01-063	Hinged Ramp	2
80	BH-7488S-0274	PL6K-031 161109E*01-031	Oil Hose	2
81	BH-7070-K		Power Station™ Air / Electric Utility Box	1
82	BH-9701		Single Wheel Spotter Dish 10-3/4" x 15" Wide	1

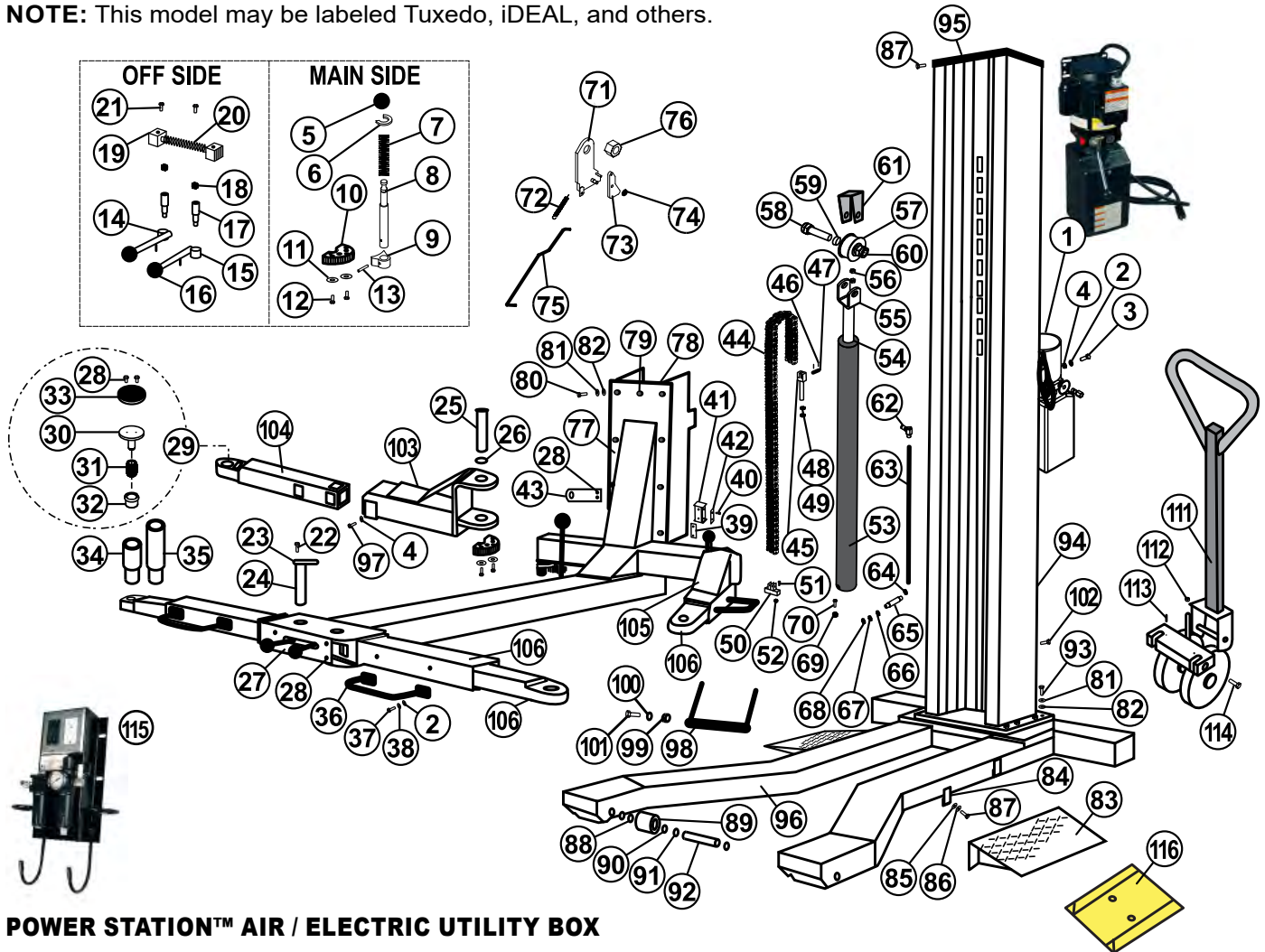


For Model MSC-6KLP

6,000 lb. Capacity Low Profile Mobile Single-Post Lift

DIRECTFIT™
SVI's DIRECT FIT™ BRAND

NOTE: This model may be labeled Tuxedo, iDEAL, and others.



POWER STATION™ AIR / ELECTRIC UTILITY BOX

Simply install the PowerStation™ on your surface-mount lift or nearby wall, bring in your air and electric service, and watch the results. You'll see improved performance and a more organized shop. No longer worry about trip hazards associated with cords and hoses stretched for great distances across your floor.

Item SVI Part #	Cross Ref #	Cross Ref #	Description	Qty	
1	BH-7007-03-XX	PU-110V-L-K	Power Unit	1	
2	BH-7485-0290	MSC-6KLP-069	5301-00008-000	Flat Washer, D8	16
3	BH-7488S-0275	MSC-6KLP-068	5101-08025-000	Bolt, M8x25	4
4	BH-7488S-0276	MSC-6KLP-070	5201-00008-000	Nut, M8	10
5	BH-7485-0591	MSC-6KLP-092	SJ03-00013-000	Pull Knob	2
6	BH-7485-0401	MSC-6KLP-091	5304-00018-000	Retaining Ring, D18	2
7	BH-7488S-0277	MSC-6KLP-088	DJ01-00002-M00	Spring, Gear Pin	2
8	BH-7488S-0278	MSC-6KLP-087	DJ01-00009-M00	Gear Pin, Small	2
9	BH-7485-0322	MSC-6KLP-085	SJ01-00023-000	Arm Restraint Engage Gear	2
10	BH-7485-0321	MSC-6KLP-082	SJ01-00025-000	Arm Restraint Main Gear	2
11	BH-7485-0315	MSC-6KLP-096	5301-00010-000	Flat Washer, D10	4
12	BH-7488S-0279	MSC-6KLP-097	5101-10035-000	Bolt, M10x35	4
13	BH-7485-0319	MSC-6KLP-086	5402-06038-000	Cotter Pin, D6x38	2
14	BH-7488S-0280	MSC-6KLP-116	DJ01-14000-M00	LH, Release Handle	1

Item SVI Part #	Cross Ref #	Cross Ref #	Description	Qty	
15	BH-7488S-0281	MSC-6KLP-118	DJ01-15000-M00	RH, Release Handle	1
16	BH-7488S-0282	MSC-6KLP-117	DJ01-00026-M00	Handle Ball	2
17	BH-7488S-0283	MSC-6KLP-107	DJ01-00035-M00	Fixing Pin	2
18	BH-7488S-0284	MSC-6KLP-106	DJ01-00036-M00	Cap Bolt	2
19	BH-7488S-0285	MSC-6KLP-104	DJ01-00024-M00	Gear Block	2
20	BH-7488S-0286	MSC-6KLP-105	DJ01-00023-M00	Spring	2
21	BH-7488S-0287	MSC-6KLP-103	5107-06012-000	Screw, M6x12	2
22	BH-7488S-0288	MSC-6KLP-108	5107-08020-000	Screw, M8x20	2
23	BH-7488S-0289	MSC-6KLP-109	DJ01-16001-M00	Plate, Fixing Pin	2
24	BH-7488S-0290	MSC-6KLP-102	DJ01-16002-M00	OS, Swing Arm Pin	2
25	BH-7488S-0291	MSC-6KLP-090	DJ01-00025-M00	MS, Swing Arm Pin	2
26	BH-7485-0351	MSC-6KLP-089	5304-00038-000	Retaining Ring, D38	2
27	BH-7488S-0292	MSC-6KLP-119	DJ01-00019-M00	Slotted Cover Plate	1
28	BH-7485-0350	MSC-6KLP-021	5110-06012-000	Screw, M6x12	12

Page 102



For Model MSC-6KLP

6,000 lb. Capacity Low Profile Mobile Single-Post Lift



NOTE: This model may be labeled Tuxedo, iDEAL, and others.

Item SVI Part #	Cross Ref #	Cross Ref #	Description	Qty	
29	BH-7488S-0293	MSC-6KLP-073x	SJ12-10100-A00x	Swivel Pad Adapter with Pad	4
30	BH-7488S-0294	MSC-6KLP-073	SJ12-10100-A00	Swivel Pad Base Only	4
31	BH-7488S-0295	MSC-6KLP-074	SJ12-10002-A00	Threaded Adaptor-Long	4
32	BH-7488S-0296	MSC-6KLP-076	SJ12-10001-A00	Threaded Adaptor-Short	4
33	BH-7488S-0297	MSC-6KLP-072	SJ03-00008-000	Rubber Pad	4
34	BH-7485-0344	MSC-6KLP-114	SJ12-00018-A00	Nesting Height Extension 2"	4
35	BH-7485-0345	MSC-6KLP-113	SJ12-00019-A00	Nesting Height Extension 4"	4
36	BH-7488S-0298	MSC-6KLP-081	DJ01-18000-M00	Handle, Swing Arm	4
37	BH-7488S-0299	MSC-6KLP-079	5118-08012-000	Screw, M8x12	8
38	BH-7488S-0300	MSC-6KLP-080	5303-00008-000	Spring Washer D10	8
39	BH-7488S-0301	MSC-6KLP-056	DJ01-00029-M00	Top, Sliding Block	4
40	BH-7488S-0302	MSC-6KLP-057	DJ01-00028-M00	Side, Sliding Block	8
41	BH-7488S-0303	MSC-6KLP-058	DJ01-00027-M00	Sliding Block Frame	4
42	BH-7488S-0304	MSC-6KLP-071	5110-04010-000	Screw, M4x10	24
43	BH-7488S-0305	MSC-6KLP-110	DJ01-00008-M00	Bracket, Release Cable	1
44	BH-7488S-0306	MSC-6KLP-036	DJ01-00007-M00	Chain (See SVI Chain Book)	1
45	BH-7488S-0307	MSC-6KLP-054	DJ01-00003-M00	Upper Chain Block	1
46	BH-7488S-0308	MSC-6KLP-052	DJ01-00004-M00	Chain Pin	2
47	BH-7488S-0309	MSC-6KLP-053	5404-03020-000	Split Pin, D3x20	4
48	BH-7488S-0043	MSC-6KLP-050	5201-00020-000	Nut, M20	1
49	BH-7488S-0310	MSC-6KLP-049	5206-00020-000	Lock Nut, M20	1
50	BH-7488S-0311	MSC-6KLP-066	DJ01-00001-M00	Lower Chain Block	1
51	BH-7488S-0312	MSC-6KLP-067	5105-16060-000	Bolt, M16x60	2
52	BH-7485-0325	MSC-6KLP-067.1	5206-00016-000	Lock Nut, M16	2
53	BH-7488S-0313	MSC-6KLP-040A	DJ01-21000-M00	Hydraulic Cylinder	1
54	BH-7488S-0314	MSC-6KLP-040Ax	DJ01-21000-M00x	Seal Kit for Hydraulic Cylinder	1
55	BH-7488S-0315	MSC-6KLP-038	DJ01-20000-M00	Roller Seat	1
56	BH-7488S-0316	MSC-6KLP-039	DJ01-00013-M00	Nut, M27	2
57	BH-7488S-0317	MSC-6KLP-037	DJ01-00014-M00	Roller Bearing	1
58	BH-7488S-0318	MSC-6KLP-032	DJ01-00015-M00	Spindle	1
59	BH-7488S-0319	MSC-6KLP-034	DJ01-00032-M00	Bearing, D30x2	1
60	BH-7488S-0320	MSC-6KLP-035	5206-00024-000	Nut, M24	1
61	BH-7488S-0321	MSC-6KLP-033	DJ01-19000-M00	Roller Bearing Cover	1
62	BH-7485-0331	MSC-6KLP-041	SJ01-12001-000	90 degree Elbow Fitting	1
63	BH-7488S-0322	MSC-6KLP-042	DJ01-00021-M00	Hydraulic Hose	1
64	BH-7488S-0323	MSC-6KLP-045	5901-00006-000	O-Ring, D10xD2	1
65	BH-7488S-0324	MSC-6KLP-043	DJ01-00031-M00	Straight Fitting	1
66	BH-7488S-0325	MSC-6KLP-044	DJ01-00030-M00	Throttle Washer	1
67	BH-7488S-0326	MSC-6KLP-046	5309-00010-000	Retaining Ring, D10	1
68	BH-7488S-0327	MSC-6KLP-047	5603-00016-000	Seal Ring, D16	1
69	BH-7488S-0328	MSC-6KLP-048	DJ02-00027-000	Cylinder Key Tab	1
70	BH-7488S-0329	MSC-6KLP-051	5101-08030-000	Bolt, M8x30	1
71	BH-7488S-0330	MSC-6KLP-060	DJ01-13001-M00	Safety Latch	1
72	BH-7485-0317	MSC-6KLP-059	SJ01-07007-000	Lock Latch Spring	1
73	BH-7488S-0331	MSC-6KLP-063	DJ01-13002-M00	Latch Cam	1

Item SVI Part #	Cross Ref #	Cross Ref #	Description	Qty	
74	BH-7488S-0332	MSC-6KLP-062	5206-00010-000	Lock Nut, M10	1
75	BH-7488S-0333	MSC-6KLP-061	DJ01-13003-M00	Steel Rod	1
76	BH-7485-0311	MSC-6KLP-065	5206-00030-000	Lock Nut M30	1
77	BH-7488S-0334	MSC-6KLP-055	DJ01-12000-M00	Carriage	1
78	BH-7488S-0335	MSC-6KLP-093	DJ01-03000-M00	Lifting Frame	1
79	BH-7488S-0336	MSC-6KLP-094	5105-16025-000	Bolt, M16x25	1
80	BH-7488S-0337	MSC-6KLP-095	5105-16040-000	Bolt, M16x40	8
81	BH-7488S-0338	MSC-6KLP-025	5303-00016-000	Spring Washer, D16	19
82	BH-7488S-0056	MSC-6KLP-024	5301-00016-000	Flat Washer, D16	19
83	BH-7488S-0339	MSC-6KLP-011	DJ01-22000-M00	Ramp	2
84	BH-7488S-0340	MSC-6KLP-007	DJ01-00020-M00	Hook	4
85	BH-7485-0274	MSC-6KLP-008	5301-00006-000	Flat Washer, D6	8
86	BH-7488S-0341	MSC-6KLP-009	5303-00006-000	Spring Washer, D6	8
87	BH-7488S-0342	MSC-6KLP-010	5105-06025-000	Bolt, M6x25	12
88	BH-7485-0545	MSC-6KLP-002	5304-00025-000	Retaining Ring, D25	4
89	BH-7488S-0343	MSC-6KLP-003	DJ01-00010-M00	Roller	2
90	BH-7488S-0344	MSC-6KLP-004	5602-52025-000	Bearing, D52xD25x15	4
91	BH-7488S-0345	MSC-6KLP-006	DJ01-00012-M00	Roller Bushing	4
92	BH-7488S-0346	MSC-6KLP-005	DJ01-00011-M00	Roller Pin	2
93	BH-7488S-0347	MSC-6KLP-026	5105-16050-000	Bolt, M16x50	10
94	BH-7488S-0348	MSC-6KLP-027	DJ01-02000-M00	Column	1
95	BH-7488S-0349	MSC-6KLP-029	DJ01-00005-M00	Top Plate	1
96	BH-7488S-0350	MSC-6KLP-001	DJ01-01000-M00	Base	1
97	BH-7488S-0351	MSC-6KLP-115	5105-08025-000	Bolt, M8x25	6
98	BH-7488S-0352	MSC-6KLP-019	DJ01-17000-M00	Support Frame	1
99	BH-7488S-0353	MSC-6KLP-018	DJ01-00017-M00	Spacer	2
100	BH-7488S-0354	MSC-6KLP-017	DJ01-00006-M00	Flat Washer	2
101	BH-7488S-0355	MSC-6KLP-016	5105-12035-000	Bolt, M12x35	2
102	BH-7488S-0356	MSC-6KLP-020	5105-10025-000	Bolt, M10x25	1
103	BH-7488S-0357	MSC-6KLP-078	DJ01-04000-M00	LH, Mainside Arm	1
104	BH-7488S-0358	MSC-6KLP-077	DJ01-06000-M00	LH, MS Arm Extension	1
105	BH-7488S-0359	MSC-6KLP-098	DJ01-05000-M00	RH, Mainside Arm	1
106	BH-7488S-0360	MSC-6KLP-099	DJ01-07000-M00	RH, MS Arm Extension	1
107	BH-7488S-0361	MSC-6KLP-101	DJ01-09000-M00	RH, Offside Arm	1
108	BH-7488S-0362	MSC-6KLP-100	DJ01-11000-M00	RH, OS Arm Extension	1
109	BH-7488S-0363	MSC-6KLP-111	DJ01-09000-M00	LH, Offside Arm	1
110	BH-7488S-0364	MSC-6KLP-112	DJ01-10000-M00	LH, OS Arm Extension	1
111	BH-7488S-0365	MSC-6KLP-012	DJ01-15000-000	Pallet Jack Assembly	1
112	BH-7488S-0366	MSC-6KLP-015	5601-00018-000	Ball	1
113	BH-7488S-0367	MSC-6KLP-014	5402-05030-000	Cotter Pin	2
114	BH-7488S-0368	MSC-6KLP-013	DJ01-00018-M00	Pin	2
115	BH-7070-K		Power Station Air / Electric Utility Box	1	
116	BH-9701		Single Wheel Spotter Dish 10-3/4" x 15" Wide	1	

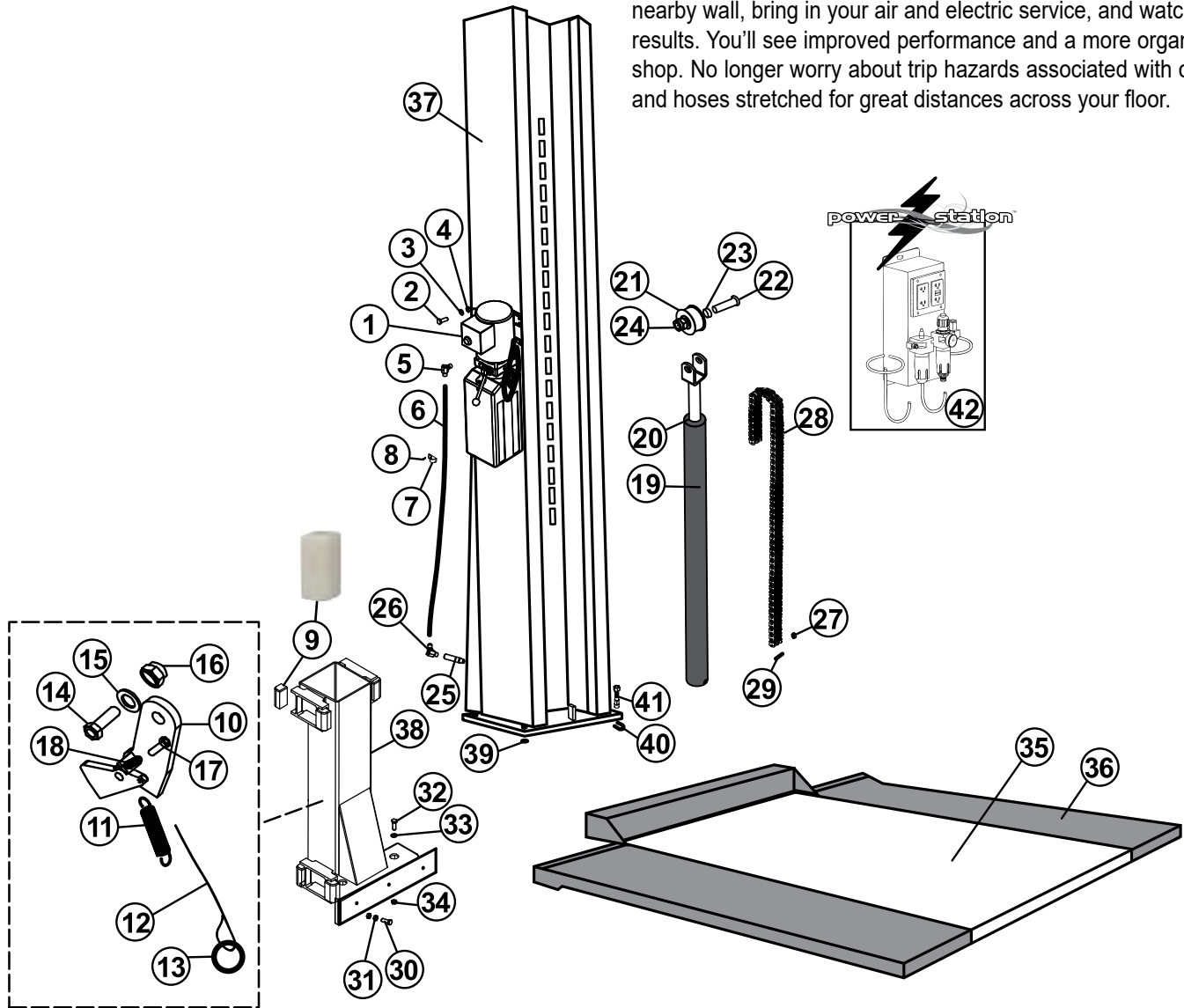
For Model SC-2K

2,000 lb. Capacity Single Column Platform Storage Lift
For Turf / Power Sport

DIRECTFIT™
SVI's DIRECT FIT™ BRAND

POWER STATION™ AIR / ELECTRIC UTILITY BOX

Simply install the PowerStation™ on your surface-mount lift or nearby wall, bring in your air and electric service, and watch the results. You'll see improved performance and a more organized shop. No longer worry about trip hazards associated with cords and hoses stretched for great distances across your floor.



Auto Lift Power Units and Parts

Call SVI today!



Auto Lift Cables and Chain Sheaves / Pulleys / Chain Rollers





For Model SC-2K

2,000 lb. Capacity Single Column Platform Storage Lift
For Turf / Power Sport

DIRECTFIT™
SVI's DIRECT FIT™ BRAND

Item SVI Part #	Cross Ref #	Cross Ref #	Description	Qty	
1	BH-7007-01-XX	PU-110V-S-K	TC01-03000-000	Power Unit 115V-1Ph	1
2	BH-7488S-0369	SC-2K-18	5102-08040-000	Bolt, M8 X 25	4
3	BH-7485-0571	SC-2K-19	5302-00008-000	Flat Washer, # 8	4
4	BH-7485-0334	SC-2K-22	5206-00008-000	Locknut, M8	4
5	BH-7485-0331	SC-2K-20	SJ01-12001-000	Elbow Fitting	1
6	BH-7488S-0370	SC-2K-21	TC01-00004-000	Hydraulic Hose (4')	1
7	BH-7488S-0371	SC-2K-83	TC01-00021-000	Hose Clamp	2
8	BH-7488S-0372	SC-2K-80	5110-04016-000	Screw, M4 X 16	2
9	BH-7485-0308	SC-2K-16	SJ01-00020-000	Rub Block	8
10	BH-7488S-0373	SC-2K-13	TC01-02100-000	Latch	1
11	BH-7488S-0374	SC-2K-06	TC01-02001-000	Lock Release Spring	1
12	BH-7488S-0375	SC-2K-05	TC01-02005-000	Lock Release Cable	1
13	BH-7485-0591	SC-2K-04	SJ03-00013-000	Pull Ring	1
14	BH-7488S-0376	SC-2K-11	TC01-02002-000	Bolt, M20 X 40	1
15	BH-7488S-0377	SC-2K-12	5307-00020-000	Flat Washer, # 20	1
16	BH-7488S-0310	SC-2K-14	5206-00020-000	Locknut, M20	1
17	BH-7488S-0378	SC-2K-10	5106-06040-000	Screw, M8 X 50	1
18	BH-7488S-0379	SC-2K-09	TC01-02104-000	Spring	1
19	BH-7488S-0380	SC-2K-27	TC01-05000-000	Hydraulic Cylinder	1
20	BH-7488S-0381	SC-2K-27x	TC01-05000-000x	Seal Kit for Hydraulic Cylinder	1
21	BH-7488S-0382	SC-2K-25	SJ05-03010-000	Chain Roller	1
22	BH-7488S-0383	SC-2K-23	TC01-05600-000	Chain Roller Shaft	1

Item SVI Part #	Cross Ref #	Cross Ref #	Description	Qty	
23	BH-7488S-0384	SC-2K-24	SJ05-03011-000	Bushing	2
24	BH-7488S-0385	SC-2K-26	5203-00020-000	Locknut, M20	1
25	BH-7488S-0386	SC-2K-28	TC01-05700-000	Straight Fitting	1
26	BH-7485-0267	SC-2K-29	SJ01-03002-000	Elbow Fitting	1
27	BH-7488S-0387	SC-2K-30	5206-00006-000	Locknut, M6	2
28	BH-7488S-0388	SC-2K-34	TC01-00001-000	Chain	1
29	BH-7488S-0389	SC-2K-35	TC01-00002-000	Chain Pin	2
30	BH-7488S-0390	SC-2K-02	5104-16030-000	Bolt, M16 X 30	3
31	BH-7485-0407	SC-2K-01	5202-00016-000	Nut, M16	3
32	BH-7488S-0391	SC-2K-08	5103-20065-000	Bolt, M20 X 65	2
33	BH-7485-0338	SC-2K-07	5302-00020-000	Flat Washer, # 20	2
34	BH-7488S-0392	SC-2K-03	5206-00020-000	Nut, M20	2
35	BH-7488S-0393	SC-2K-36	TC01-07100-000	Aluminum Decking	1
36	BH-7488S-0394	SC-2K-37	TC01-07000-000	Platform Frame	1
37	BH-7488S-0395	SC-2K-33	TC01-01000-000	Column	1
38	BH-7488S-0396	SC-2K-15	TC01-02200-000	Carriage	1
39	BH-7485-0330	SC-2K-31	SJ01-12002-000	Washer Shim	5
40	BH-7512-92			Shim Assortment 150 Pieces; 3 Sizes	1
41	BH-7075-03	SC-2K-32	SJ01-12003-000	Anchor Bolt, 3/4" X 5-1/2"	5
42	BH-7070-K			Power Station™ Air/Electric Utility Box	1

POWER STATION™ AIR / ELECTRIC UTILITY BOX

Ideal for Automotive Lifts, CNC Machining Centers, Machine Tools, Assembly Stations, and More!



Simply install the PowerStation™ on your surface-mount lift or nearby wall, bring in your air and electric service, and watch the results. You'll see improved performance and a more organized shop. No longer worry about trip hazards associated with cords and hoses stretched for great distances across your floor.

What better step-saving tool is there? Reward service technicians with a product that will make their jobs easier and more efficient. Increase shop productivity today.

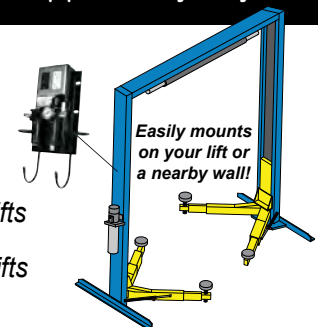
FEATURES:

- Attractive black powder coat finish coordinates with any shop.
- Easy-to-install. Adapts to most surface-mount lifts or any nearby wall.
- 20 amp (20-5R) outlets with GFCI protection are standard.
- Electrical outlets are positioned above the filter to prevent moisture problems (common with others).
- Air system provides both filtered non-lubricated and lubricated air—one for tire inflation and blow guns, the other for your pneumatic tools.

ASK FOR A POWERSTATION!

BH-7070-K • For 2-Post Lifts

BH-7069-K • For 4-Post Lifts



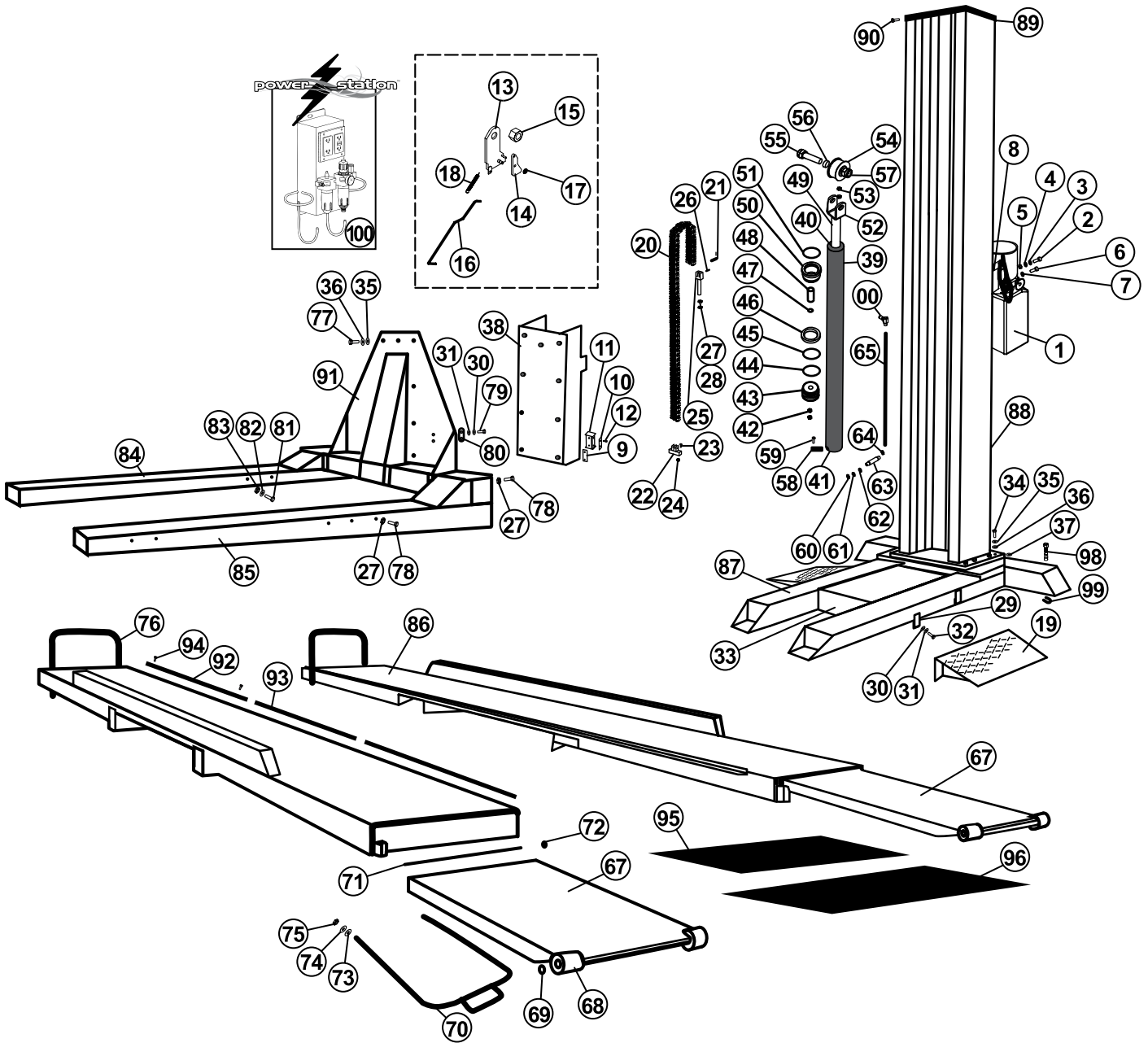
BENEFITS:

- Air lines and electrical cords are within easy reach.
- Your surface mount lifts become more service tech friendly.
- Enhances your overall shop appearance and performance.

For Model SP-6K-SS

6,000 lb. Capacity 1-Post Storage Lift with Runways

DIRECTFIT™
SVI's DIRECT FIT™ BRAND



POWER STATION™ AIR / ELECTRIC UTILITY BOX

Simply install the PowerStation™ on your surface-mount lift or nearby wall, bring in your air and electric service, and watch the results. You'll see improved performance and a more organized shop. No longer worry about trip hazards associated with cords and hoses stretched for great distances across your floor.





For Model SP-6K-SS

6,000 lb. Capacity 1-Post Storage Lift with Runways



Item SVI Part #	Cross Ref #	Cross Ref #	Description	Qty
1	BH-7007-03-XX	PU-110V-L-K	110V Power Unit	1
2	BH-7488S-0275	SP-6K-SS-069	5101-08025-000 Bolt, M8 x 25mm	4
3	BH-7485-0290	SP-6K-SS-064	5301-00008-000 Flat Washer, D8	8
4	BH-7488S-0300	SP-6K-SS-063	5303-00008-000 Spring Washer, D8	8
5	BH-7488S-0276	SP-6K-SS-062	5201-00008-000 Nut, M8	4
6	BH-7488S-0397	SP-6K-SS-067	5101-08020-000 Bolt, M8 x 20mm	4
7	BH-7485-0571	SP-6K-SS-066	5302-00008-000 Large Flat Washer, D8	4
8	BH-7488S-0398	SP-6K-SS-065	DJ05-00020-000 Motor Mount Bracket	1
9	BH-7488S-0301	SP-6K-SS-035	DJ01-00029-M00 Top, Nylon Block	4
10	BH-7488S-0302	SP-6K-SS-036	DJ01-00028-M00 Side, Nylon Block	8
11	BH-7488S-0303	SP-6K-SS-037	DJ01-00027-M00 Frame for Slider Block	4
12	BH-7488S-0304	SP-6K-SS-072	5110-04010-000 Screw, M4 x 10mm	24
13	BH-7488S-0330	SP-6K-SS-033	DJ01-13001-M00 Safety Latch	1
14	BH-7488S-0331	SP-6K-SS-029	DJ01-13002-M00 Latch Cam	1
15	BH-7485-0311	SP-6K-SS-027	5206-00030-000 Lock Nut, M30 x 1.5mm	1
16	BH-7488S-0333	SP-6K-SS-031	DJ01-13003-M00 Release Cable	1
17	BH-7488S-0332	SP-6K-SS-030	5206-00010-000 Lock Nut, M10	1
18	BH-7485-0317	SP-6K-SS-034	SJ01-07007-000 Spring	1
19	BH-7488S-0399	SP-6K-SS-051	DJ05-01400-000 Ramp on Base	2
20	BH-7488S-0400	SP-6K-SS-014	DJ05-11000-000 Chain (See SVI Chain Book)	1
21	BH-7488S-0308	SP-6K-SS-015	DJ01-00004-M00 Chain Pin	2
22	BH-7488S-0311	SP-6K-SS-018	DJ01-00001-M00 Chain Block (Lower)	1
23	BH-7488S-0312	SP-6K-SS-016	5105-16060-000 Bolt, M16 x 60mm	2
24	BH-7485-0325	SP-6K-SS-061	5206-00016-000 Lock Nut, M16	2
25	BH-7488S-0307	SP-6K-SS-021	DJ01-00003-M00 Chain Block (upper)	1
26	BH-7488S-0309	SP-6K-SS-022	5404-03020-000 Split Pin	4
27	BH-7488S-0043	SP-6K-SS-020	5201-00020-000 Nut, M20	12
28	BH-7488S-0310	SP-6K-SS-060	5206-00020-000 Lock Nut, M20	1
29	BH-7488S-0340	SP-6K-SS-050	DJ01-00020-M00 Hook	6
30	BH-7488S-0341	SP-6K-SS-040	5303-00006-000 Spring Washer, D6	14
31	BH-7485-0274	SP-6K-SS-041	5301-00006-000 Flat Washer, D6	18
32	BH-7488S-0342	SP-6K-SS-009	5105-06025-000 Screw, M6 x 25mm	12
33	BH-7488S-0401	SP-6K-SS-038	DJ05-01500-000 Middle Ramp Spacer	1
34	BH-7488S-0347	SP-6K-SS-033	5105-16050-000 Bolt, M16x x50mm	10
35	BH-7488S-0402	SP-6K-SS-003.1	5301-00020-000 Flat Washer, D20	10
36	BH-7488S-0338	SP-6K-SS-017	5303-00016-000 Spring Washer, D16	21
37	BH-7488S-0403	SP-6K-SS-059	DJ01-00022-M00 Shim	10
38	BH-7488S-0334	SP-6K-SS-026	DJ01-12000-M00 Carriage	1
39	BH-7488S-0404	SP-6K-SS-013	DJ01-13000-000 Hydraulic Cylinder	1
40	BH-7488S-0405	SP-6K-SS-013x	DJ01-13000-000x Seal Kit for Hydraulic Cylinder	1
41	BH-7488S-0406	SP-6K-SS-013.18	DJ01-13100-000 Cylinder Body	1
42	BH-7488S-0407	SP-6K-SS-013.13	DJ01-21006-M00 Nut	2
43	BH-7488S-0408	SP-6K-SS-013.12	DJ01-21005-M00 Piston	1
44	BH-7488S-0409	SP-6K-SS-013.11	5905-00065-000 U-Ring	1
45	BH-7488S-0410	SP-6K-SS-013.10	5901-00066-000 O-Ring	1
46	BH-7488S-0411	SP-6K-SS-013.9	DJ01-21004-M00 Guide Belt	1
47	BH-7488S-0412	SP-6K-SS-013.8	5901-00030-000 O-Ring	1
48	BH-7488S-0413	SP-6K-SS-013.7	DJ01-21003-M00 Sheave	1
49	BH-7488S-0414	SP-6K-SS-013.6	DJ05-13002-000 Piston Bar	1
50	BH-7488S-0415	SP-6K-SS-013.5	DJ01-21002-M00 Guide Ring	1
51	BH-7488S-0416	SP-6K-SS-013.4	5906-00030-000 Dust Ring	1
52	BH-7488S-0315	SP-6K-SS-013.3	DJ01-20000-M00 Roller Seat	1
53	BH-7488S-0316	SP-6K-SS-013.2	DJ01-00013-M00 Round Nut	2

Item SVI Part #	Cross Ref #	Cross Ref #	Description	Qty
54	BH-7488S-0317	SP-6K-SS-013.20	DJ01-00014-M00 Roller	1
55	BH-7488S-0417	SP-6K-SS-013.19	DJ01-12002-000 Roller Pin	1
56	BH-7488S-0418	SP-6K-SS-013.21	5303-00024-000 Spring Washer	1
57	BH-7488S-0419	SP-6K-SS-013.1	5205-00024-000 Thin Nut	1
58	BH-7488S-0328	SP-6K-SS-070	DJ02-00027-000 Cylinder Plate	1
59	BH-7488S-0329	SP-6K-SS-071	5101-08030-000 Bolt, M8 x 30mm	1
60	BH-7488S-0327	SP-6K-SS-013.17	5603-00016-000 Combined Seal, D16	1
61	BH-7488S-0326	SP-6K-SS-013.16	5309-00010-000 Retaining Ring, D10	1
62	BH-7488S-0325	SP-6K-SS-013.15	DJ01-00030-M00 Throttle Washer	1
63	BH-7488S-0324	SP-6K-SS-013.14	DJ01-00031-M00 Straight Connector	1
64	BH-7488S-0323	SP-6K-SS-013.22	5901-00006-000 O-Ring	1
65	BH-7488S-0322	SP-6K-SS-013.23	DJ01-00021-M00 Hydraulic Hose	1
66	BH-7485-0331	SP-6K-SS-013.24	SJ01-12001-000 Angle Connector	1
67	BH-7488S-0420	SP-6K-SS-023	DJ05-09000-000 Ramp for Runway	2
68	BH-7488S-0421	SP-6K-SS-024	DJ05-00004-000 Nylon Roller	4
69	BH-7488S-0092	SP-6K-SS-025	5304-00020-000 Retaining Ring	4
70	BH-7488S-0422	SP-6K-SS-052	DJ05-14000-000 Ramp Support Bracket	2
71	BH-7488S-0423	SP-6K-SS-053	DJ05-00003-000 Ramp Shaft Pin	2
72	BH-7488S-0424	SP-6K-SS-054	5304-00016-000 Retaining Ring, D16	4
73	BH-7485-0315	SP-6K-SS-055	5301-00010-000 Flat Washer, D10	4
74	BH-7485-0328	SP-6K-SS-056	5303-00010-000 Spring Washer, D10	4
75	BH-7485-0588	SP-6K-SS-057	5201-00010-000 Nut, M10	4
76	BH-7488S-0425	SP-6K-SS-011A	DJ05-00001-000 4" Front Wheel Stop	2
77	BH-7488S-0337	SP-6K-SS-044	5105-16040-000 Bolt, M16 x 40mm	9
78	BH-7488S-0426	SP-6K-SS-007	5101-20040-000 Bolt, M20 x 40mm	12
79	BH-7488S-0427	SP-6K-SS-039	5105-06015-000 Screw, M6 x 15mm	2
80	BH-7488S-0428	SP-6K-SS-042	DJ05-06100-000 Cable Holder	1
81	BH-7488S-0429	SP-6K-SS-045	5105-12040-000 Screw, M12 x 40mm	8
82	BH-7488S-0430	SP-6K-SS-048	5303-00012-000 Spring Washer	8
83	BH-7488S-0431	SP-6K-SS-047	5301-00012-000 Flat Washer, D12	8
84	BH-7488S-0432	SP-6K-SS-049	DJ05-04000-000 Left Arm	1
85	BH-7488S-0433	SP-6K-SS-046	DJ05-05000-000 Right Arm	1
86	BH-7488S-0434	SP-6K-SS-012	DJ05-03000-A00 Runway Platform	2
87	BH-7488S-0435	SP-6K-SS-001	DJ05-01000-000 Base Plate	1
88	BH-7488S-0436	SP-6K-SS-004	DJ05-02000-000 Column	1
89	BH-7488S-0349	SP-6K-SS-006	DJ01-00005-M00 Top Plate	1
90	BH-7488S-0437	SP-6K-SS-005	5105-06030-000 Screw, M6x x30mm	4
91	BH-7488S-0438	SP-6K-SS-043	DJ05-06200-000 Lifting Frame	1
92*	BH-7488S-0439	SP-6K-SS-008A.1	DJ05-00005-D00 End Tray for Drip Tray	4
93*	BH-7488S-0440	SP-6K-SS-008A.2	DJ05-00021-D00 Middle Rail for Drip Tray	2
94*	BH-7488S-0441	SP-6K-SS-073	2649-ZG003-000 Self-Tap Screw, #12 x 3/4"	12
95*	BH-7488-1415	FP9KDX-DT	Drip Tray 39" Wide (for Narrow Position Runways)	
96*	BH-7488-1219	FP8K-DS/DX-XLT-DT	Drip Tray 42" Wide (for Wide Position Runways)	
97	BH-7488S-0442	SP-6K-SS-010	5107-06015-000 Screw M6 x 15mm (not shown)	4
98	BH-7075-03	SP-6K-SS-002	DJ05-10000-000 Anchor Bolt, 3/4" X 5-1/2"	10
99	BH-7512-92		Shim Assortment 150 Pieces; 3 Sizes	1
98	BH-7070-K		Power Station™ Air / Electric Utility Box	1

*Optional—Only needed if Drip Trays are installed



Repair Parts for Duro Power Units

DIRECTFIT™
SVI's DIRECT FIT™ BRAND



3 Gallon Reservoir for Duro Power Units

Found on Tuxedo Lifts, Eagle Lifts, and others

BH-7490-49

SVI Part #	Cross Ref #	Description
BH-7490-49	EAG KER PU DURO 03	3 Gallon Reservoir for Duro
BH-7488-40	PU-DURO-041	Capacitor for Duro Power Unit
BH-7488-44	PU-DURO-031	Lowering Valve for Duro Power Unit
BH-7490-50	EAG AKL DURO 05	Lowering Valve for Duro Power Unit
BH-7488-45	PU-DURO-043	Switch for Duro Power Unit

Capacitor for Duro Power Unit

Found on Tuxedo Lifts, Eagle Lifts, and others

BH-7488-40

(Ref PU-DURO-041)

Lowering Valve for Duro Power Unit

Found on Tuxedo Lifts, Eagle Lifts, and others

BH-7488-44

(Ref PU-DURO-031)



Lowering Valve for Duro Power Unit

Found on Tuxedo Lifts, Eagle Lifts, and others

BH-7490-50

(Ref EAG AKL DURO 05)



Switch for Duro Power Unit

Found on Tuxedo Lifts, Eagle Lifts, and others

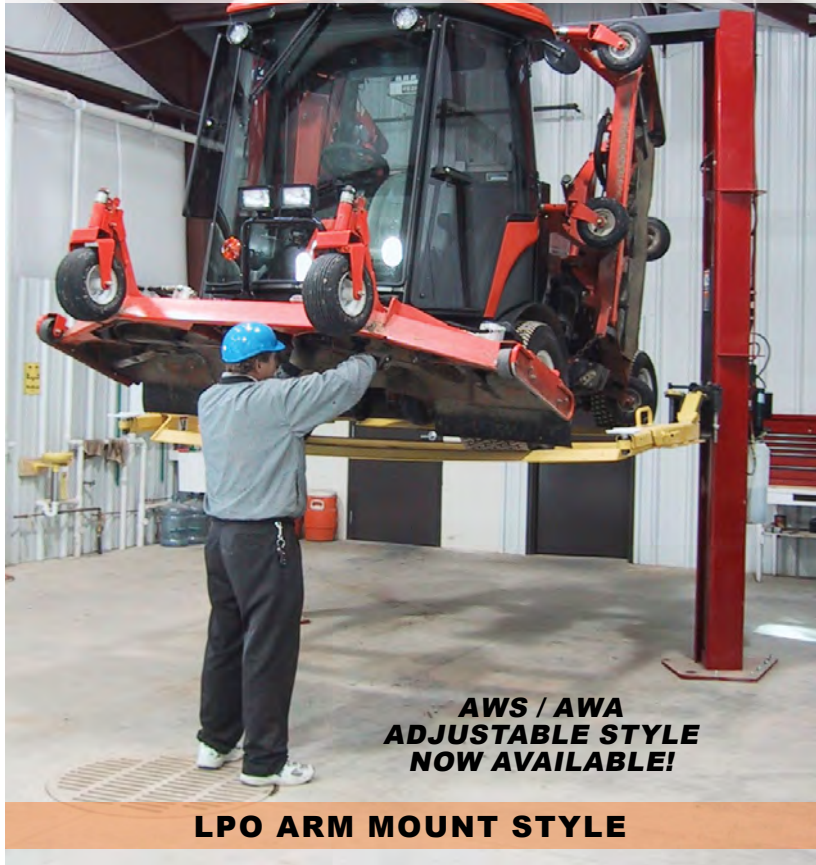
BH-7488-45

(Ref PU-DURO-043)

YOUR CHOICE! 3 TURF TRAY STYLES, OPTIONS AND ACCESSORIES AVAILABLE



HSR ADAPTER HOLE MOUNT STYLE



**AWS / AWA
ADJUSTABLE STYLE
NOW AVAILABLE!**

LPO ARM MOUNT STYLE

Turf Equipment / Utility Vehicle Attachments for Automotive Lifts

- Golf Courses
- Park Districts
- Municipalities
- ATV Dealers
- Public Works
- Amusement Parks
- Vacation Resorts
- Agricultural Shops
- and so many more...

No. 1—The First: An SVI wholly-owned subsidiary was the very first ever to invent Turf Attachments for use on automotive lifts. On September 9, 1997 SVI's very own MLM Lifts and Manufacturing (formerly known as Manitowoc Lift) developed the very first production drawings for a Turf Equipment Lifting Accessory. This innovative product line has allowed thousands of lift owners to convert their automotive lifts into a multi-functional tool. This allows for both service of their cars and pickup trucks but also ease of repair access to all the turf and small maintenance equipment also found in and around their shop.

Turf Attachments are an ideal tool to incorporate into any shop that has a two-post automotive lift or in-ground side-by-side that also has the need for servicing all types of other equipment. Turf Attachments are ideal for park districts, golf courses, outdoor power equipment dealers, municipalities, ATV dealers and just about anywhere else that requires more versatility from their lifts.

SVI has emerged and remains the leading supplier in its field for turf / utility attachments. The nimble nature of SVI engineering and strong focus on customer service allows for a wide range of flexibility in producing attachments to fit virtually all makes and models of two post surface mount lifts encountered in the field. Put the SVI team to work for you today, attachments can be made for any two post lift including those with true asymmetric or triple stage swing arms. For a whole variety of turf / utility attachment solutions—SVI is your Answer!

800-321-8173



BALTIMORE • CHICAGO • LOS ANGELES



DIRECT FIT™ BRAND

SVI International, Inc.

Catalogs and Information Online: www.sviinternational.com

EASY TO ORDER:
800-321-8173
815-748-0200
 Fax: 800-899-1784 • 815-748-0210
E-Mail: parts@sviintl.com
www.sviinternational.com

AUTO LIFT REPAIR PARTS FOR ALL MAKES & MODELS

~NO MATTER THE AGE OF THE LIFT!

- Arm Restraint Kits & Parts
- Cables—Lifting and Equalizing
- Chain
- doorjammerPRO - Door Protection Pad
- Height Extensions and Rubber Pads
- Installation Products & Tools
- Power Units and Parts
- Pulleys and Chain Rollers
- Seal Kits for In-Ground & Surface Mount
- Safety Legs / Non-Rotators
- Replacement Lift Kits
- Power Post Lifting Systems
- Tanks for In-Ground Lifts
- Turf Attachments for 2-Post Lifts

SURFACE MOUNT LIFT PARTS FOR:

Acanus	Gemini	Quality
Ammco®*	Gilbarco	Ranger
Alamo /	Globe	Ravaglioli
ASSSA	Grand	Rotary Lifts
ALM	Hofmann	Silent Tech
AMI	Hydralift	Slift
Ashawa	Ime Istobal	Somers Souriau
Ben Pearson	Kismet	Stenhoj
BendPak	Kimm	Stertil Koni
Benwil	Koni	Sun
Bishamon	Launch	Tecalemit
Boston	Laycock	Titan
Bradbury	Lincoln	Weaver
Cascos	Maha	Werther
Consul	Manitowoc Lifts	Western
Challenger	Mohawk	Westinghouse
Force	Nussbaum	Wheeltronic
Ford Smith	OMA	Worth
Forward	OMCN	Zippo
Fuchs/Zippo	PMW	

IN-GROUND LIFT PARTS FOR:

Benwil	Gilbarco	PKS Lifts
Challenger	Globe	Rotary
Cochin	HDL/ISS Innovative	US Hoist
Curtis	Joyce	Weaver
Ford Smith	Manitowoc Lifts	Western

AIR COMPRESSOR PARTS

- Air Receiver Tanks • Compressor Mufflers
- Automatic Tank Drain Valve for Champion Compressors
- Filters—Many OEM Ref Available!
- Filters, Regulators, Lubricators
- Intake Filter Products
- Milton Air System Products
- Re-Coil Hose • Valves
- Vibration Dampening Pads & much more!

BRAKE LATHES REPAIR PARTS

- Brake Lathe Repair Parts and Accessories for **All Makes**

EXHAUST REMOVAL SYSTEMS & PRODUCTS

FLUID DELIVERY

- Lenz Fittings
- Steel Hydraulic Line Tubing and Fittings
- Strut and Hangers

HOSE REELS BY REELCRAFT®

HYDRAULIC CYLINDERS—

- Custom Single-Acting Large Bore Cylinders
- Also see “Lifting Equipment”

LIFTING EQUIPMENT

- New In-Ground Lifts—Car, Truck & Bus
- Small Equipment Shop Maintenance (SESM) Lifts for lifting Landscape Equip. ATVs / UTVs, Motorcycles, Lawn Mowers, Golf Carts and More!
- Custom Lifting Equipment incl. Production Line Lifts, Rail Car Lifts and More
- Custom Hydraulic Cylinders for Various Applications
- Turf Attachments for 2-Post Lifts
- In-Ground Lift Sections and Kits
- And more!

LUBRICATION & PAINT / FOAM SPRAY REPAIR PARTS & KITS FOR:

- Alemite • ARO • Balcrank • Graco • Lincoln

PETROLEUM EQUIPMENT & REPAIR PARTS FOR:

- Gas Pump & Meter Kits and Parts for Gasboy • Tokheim • Fill-Rite
- Including Parts for Older Pumps: Wayne • Bennett • Gilbarco • Bowser A.O. Smith (Geosource) • Southwest

SEAL KITS

SHOP EQUIPMENT

- Hein-Werner Products • Omega Products
- Porto-Power • Pro-Lift

TIRE EQUIPMENT REPAIR PARTS

- Tire Changer and Wheel Balancer Parts for **All Makes**

Accu-Turn	FMC	Nussbaum
All Tool	Giuliano	Ranger
Ammco®*	Hofmann	Sicam
BaseLine®*	Hunter	Sice
Bosch	John Bean /	Snap-On
Cemb	(JBC)	Teco
Coats®*	Kwik-Way	Tuxedo
Corghi	Launch	

VALVES

- Air Compressor Valves of All Types
- Air and Hoist Control Valves
- Ball Valves • Check Valves
- Kingston Valves • Pressure Relief Valves
- Relief Valves • Safety Valves
- Solenoid Valves
- Tire Changer Valves • And More!

CUSTOM PRODUCTS

And let us know if you want something you use in your shop to be added to our product line!

DIRECT FIT™ In addition to SVI's DIRECT FIT™ BRAND, we are proud to be a one-stop shop for many other great products including:



Main Office: 155 Harvestore Drive • DeKalb, IL 60115

All names, numbers, symbols and descriptions are used for reference purposes only. It is not implied that any part listed is the product of these manufacturers. 10.07.2021
SVI does not represent and is not associated in any way with any other companies. Entire contents copyright © 2021, SVI International, Inc. Prices subject to change without notice.
*AMMCO, BASELINE, COATS and DUCKHEAD are registered trademarks of Hennessy Industries, Inc. SVI International, Inc. is not associated in any way with Hennessy Industries, Inc.

**TERMS AND CONDITIONS OF THE
SALES ORDER
FOR SVI INTERNATIONAL, INC.**

1. **GENERAL.** The terms and conditions of sales order outlined herein shall apply to the sale by SVI INTERNATIONAL, INC. (hereinafter referred to as "Company") of the items described on the facing page (hereinafter referred to as "Merchandise") to Purchaser.
2. **DELIVERY.** Delivery shall be deemed to be complete when the Merchandise has been shipped F.O.B. Company's plants in DeKalb, Illinois, Montclair, California; and Hanover, Maryland ("Company's plants"). Shipments are subject to delays from causes or contingencies beyond the reasonable control of the Company. When otherwise not specified, shipments will be made in standard containers via carrier which, in the judgment of the Company, will result in the most practical method. Title and right of possession will pass to the Purchaser upon receipt by the carrier at the shipping point. If a customer of the Company should specify a specific carrier's method of shipment (i.e. UPS Next Day Air) and that carrier does not perform to the customer's expectations, freight credit to a customer's account will not be issued unless the Company can first obtain a credit.
3. **RISK OF LOSS.** Identification of the Merchandise under Uniform Commercial Code (hereinafter referred to as "UCC") Section 2-501 shall take place at the moment of shipment F.O.B. Company's plants. Risk of loss shall pass to the Purchaser when the Merchandise is shipped from the Company's plants.
4. **TITLE.** Title to the merchandise shall transfer to the Purchaser when the Merchandise is shipped from the Company's plants.
5. **WARRANTIES.** The Company guarantees its products to be free from defects in workmanship and raw materials for a period of one year from date of purchase. THIS WARRANTY IS EXPRESSLY IN LIEU OF ANY AND ALL WARRANTIES EXPRESS OR IMPLIED. COMPANY DOES NOT WARRANT THE MERCHANDISE IS MERCHANTABILITY OR FIT FOR ANY PARTICULAR PURPOSE. Company's liability for breach of the terms of this Agreement, including any warranty, is limited to either refund of the invoice price of the Merchandise or at Company's option, replacement of the Merchandise free of charge, including transportation charges but not including the cost of labor. Purchaser has not relied on any statement or upon the conduct of Company with respect to the prospective use of the merchandise. Company shall not be liable for and Purchaser waives any and all claims for any loss or damage, directly or indirectly, arising from the use of the Merchandise and for punitive, incidental or consequential damages, including, but not limited to, damages to property, for loss of use, loss of time, loss of profit or loss of income. The Company does not authorize the sale of our products under any other warranty, expressed or implied. **Please note:** Electrical components and cylinder or shaft seals are not covered under warranty.
6. **SETOFF.** All claims for money due or to become due from the Company shall be subject to deduction by the Company for any setoff or counterclaim arising out of this or any other claims of the Company or its affiliated companies, whether such setoff or counterclaim arose before or after any assignment by Purchaser.
7. **INDEMNIFICATION.** Purchaser agrees to indemnify the Company and hold it harmless from and against all claims, liability, loss, damage or expense, including reasonable counsel fees, arising from or by reason of any modifications or alterations made by Purchaser. If a customer of the Company modifies or alters any part, in any manner whatsoever, or uses any part in departure from recommended performance specifications, said customer agrees to indemnify and hold the Company harmless from and against all liability and expenses based on damage to property or injury to or death of any person arising out of or attributable to such modified or altered part. Further, the Company will not accept any such modified or altered part for credit to a customer's account.
8. **FREIGHT POLICY.** Freight charges are prepaid and added to invoice or collect FOB shipping point. Note: All customers are responsible for all carrier shipping costs, fees, surcharges, etc. including order refusal and return fees.
9. **RETURN POLICY.** To return a part for credit or inspection, Purchaser must first contact our Main Office in Illinois, to obtain a Return Merchandise Form. Once Purchaser has obtained this form, the parts can be returned freight prepaid only. The Return form must be included with the shipment. Parts returned to the Company without the approved form will be returned freight collect to the shipper or refused. Returns must be initiated within 30 days of the invoice date. The Return Forms are valid for 30 days, from the date of issue. All Returns are subject to restocking charges. Return parts brought into our remote warehouses, will not be accepted by our personnel, without a Return Merchandise Form from the Main Office. Parts which have been used in any way or manner, including any installation or incorporation into a lift, hoist, or other equipment, shall NOT be eligible for return whether or not a Return form has been assigned. **Please note:** Electrical parts or components are not returnable for credit. This includes all switches, pushbuttons, relays, electric motors, capacitors, fuses, solenoids, power units with wiring issues or any other electrical items. Custom, built to order, special order, and non-stocked genuine parts are non-returnable.
10. **RESTOCK CHARGE.** Returns are subject to a restocking charge. Refusals are subject to the same restocking charge plus the cost of outbound and return freight charges and/or fees incurred by the Company due to shipment refusal.
11. **PRICES AND PAYMENTS.** All prices are subject to change without notice. All prices are F.O.B. shipping point. The Company standard terms are net 30 days, C.O.D. company check, C.O.D. cash, VISA, MasterCard, Discover or American Express. However, if in the judgment of the Company, the financial condition of the Purchaser at any time does not justify shipment according to standard terms of payment, the Company may require full or partial payment in advance.
12. **INTERPRETATION.** This sales order is intended by the parties as a complete and exclusive statement of the terms of their agreement. It supersedes all prior agreements, written or oral. No course of prior dealings between the parties and no usage of the trade shall be relevant to supplement or explain any terms used in this sales order. Acceptance or acquiescence in a course of performance rendered under this purchase order shall not be relevant to determine the meaning of this sales order even though the accepting or acquiescing party has knowledge of the nature of the performance and opportunity for objection. Whenever a term defined by the UCC is used in this sales order the definition contained in the UCC shall control.
13. **MODIFICATION.** This sales order can be modified or rescinded only by a writing signed by both parties.
14. **WAIVER.** No claim or right arising out of a breach of this sales order can be discharged in whole or in part by a waiver or renunciation of the claim or right unless such waiver or renunciation is supported by consideration and is in writing signed by the aggrieved party.
15. **ASSIGNMENT.** No right or interest in this sales order shall be assigned by either party without the written consent of the other and no delegation of any obligation owed, or of the performance of any obligation by either the Company or Purchaser shall be made without the written consent of the other party. Any attempted assignment or delegation not made in conformity with this paragraph shall be wholly void and totally ineffective for all purposes.
16. **TIME TO PERFORM AND BRING ACTION.** Time is of the essence of this sales order. Any action for breach of this sales order shall be commenced within two (2) years after the cause of action has accrued. Any party who loses any litigation shall reimburse the other party for costs including reasonable attorney's fees. The exclusive jurisdiction for any legal action shall be the Circuit Court of DeKalb County, Illinois.
17. **APPLICABLE LAW.** This sales order shall be governed by the UCC of Illinois as effective and in force on the date of this sales order.



BALTIMORE • CHICAGO • LOS ANGELES



DIRECTFIT™
SVI's DIRECT FIT™ BRAND



- Air Compressor Parts and Filters
- Auto Lift Parts for Any Brand
- Auto Lift Cables and Chain
- Auto Lift Power Units and Parts
- Auto Lift Sheaves / Pulleys and Chain Rollers
- Brake Lathe Repair Parts for All Makes
- Exhaust System Products
- Fluid Delivery Repair Parts
- Hose Reels and Hose Stops
- In-Ground Auto Lifts
- Lubrication Equipment Repair Parts
- Petroleum / Service Station Pump and Tank Products
- Repair Parts for Gasboy Consumer Series
- SESM Lifts for ATV/UTV, Golf Cart and More!
- Tire Changer Repair Parts
- Turf Attachments for 2-Post Lifts
- Vehicle Lifting Systems
- Wheel Balancer Accessories

SVI International, Inc.

155 Harvestore Drive • DeKalb, IL 60115

800-321-8173 • 815-748-0200

FAX: 800-899-1784 • 815-748-0210

E-MAIL: parts@sviintl.com

Entire contents copyright © 2021, SVI International, Inc.

Information and Catalogs Online:
www.sviinternational.com