



DIRECTFIT™
SVI's DIRECT FIT™ BRAND

Table of Contents

Height Extensions, Adapters & Pads.....	3–5	Quad Rack 10,000 Series, Model 10404.....	48–50
Cables	6	Quad Rack 12,000 Series	51–53
Commonly Requested Parts.....	7–9	Quad Rack, Model 12407.....	54–56
Vector Model 7144.....	10–12	Quad Rack, Oracle, Model 14407	57–59
Vector Model 8144V	13–15	Space Saver 145	
Vector Model 11144	16–18	Sliding Jack Beam	60–62
Vector Model 11144VS	19–21	Space Saver Air Hydraulic	
Vector Model 11168	22–24	Sliding Jack Beam, 4,500 lbs	63–66
Vector Model 11168VS	25–27	Air Hydraulic	
Snap-On Model EELR302A,		Sliding Jack Beam, 6,000 lbs.	67–70
8020, 8021, 9021.....	28–30	Space Saver, 9,000 Series.....	71–75
J.H. Heafner, Magnum Model 81776S	31–33	Space Saver, 12,000 Series.....	76–80
Patriot Model 1776A.....	34–36	EELR113A & EELR114A	81–84
Patriot Model 1776S.....	37–39	Bay Saver II,	
Cobra, Model 35196FM.....	40	Models 48109 & 48209.....	85–89
Kodiak, Model 18405AF	41–44	Alignment Runways,	
John Bean, Quatro 4-Post, Model 44110Q..	45–47	Model 40306R	90–91

Please note: Wheeltronic private-labeled lifts for many other companies including Ammco® / Hennessy, Hofmann, John Bean (JBC), Magnum, Pepboys, Snap-On, TAG, Sun, others*

Please also call regarding your other lift models.
We have parts for your lift and for many more not listed here!
Please have date code and serial number when you call.

BALTIMORE • CHICAGO • LOS ANGELES

800-321-8173 • fax: 800-899-1784

E-Mail: parts@sviintl.com

www.sviinternational.com



Height Extensions, Pads and Adapters See our *Height Extension Catalog* for more options.

Please always confirm dimensions before ordering. Height Extensions and Adapters come in many different styles and dimensions. SVI is well-known as the adapter expert, specializing in top quality standard and custom adapters. SVI is your answer.



MANY MORE AVAILABLE!
See common adapters and pads in our
Height Extensions Adapters and Pads Catalog
*Includes Nesting Style Height Extensions, Nesting Pad Adapters,
Slip-On Style, Drop-On Style, Adjustable and Fixed Adapters, and more!*



Additional Height Extensions for Wheeltronic Lifts and Others
FOR VARIOUS MODELS

Wheeltronic private-labeled lifts for many other companies including Ammco®* / Hennessy, Hofmann, John Bean (JBC), Magnum, Pepboys, Snap-On, TAG, Sun, others

Rectangular Adapter Base with Pad (Ref 2-1993)
Various Options Available including Pad Choice and Step/Height
Pin Diameter: 1-1/4"

Top Pad: 4-7/8" x 3-7/8"



Adapter with BH-7101-00 Pad

- BH-7796-10B • 1/2" Step
- BH-7796-10NS • No Step (Base Only)
- BH-7796-10C • 1" Step (Base Only)
- BH-7796-10T • 3" Step (Base Only)

Top Pad: 5-1/4" x 4-1/4"



Adapter with BH-7805-168 Pad

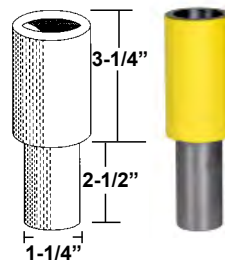
- BH-7796-10AP • 1/2" Step
- BH-7793-56 • No Step
- BH-7796-10C • 1" Step (Base Only)
- BH-7796-10T • 3" Step (Base Only)

SVI Part #	Ref #	Description
BH-7796-10B	2-1993x	Rectangular Adapter Base—With 1/2" Step With Pad BH-7101-00
BH-7796-10AP	2-1993x	Rectangular Adapter Base—With 1/2" Step With Pad BH-7805-168
BH-7796-10	2-1993	Rectangular Adapter Base Only—With 1/2" Step
BH-7796-10C	2-1993x	Rectangular Adapter Base Only—With 1" Step
BH-7796-10T	2-1993x	Rectangular Adapter Base Only—With 3" Step
BH-7793-56	1-3278	Rectangular Adapter—No Step with Pad BH-7805-168
BH-7796-10NS	2-1993x	Rectangular Adapter Base Only—No Step

Do you use these Adapters, but need a Wider Lifting Base for Lifting Newer Chevy 1500 Silverado and GM Sierra Trucks? See BH-7796-10GMT

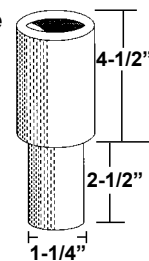
BH-7793-45 (Ref 1-1993)
3-1/4" Nesting Style Height Extension / Stack Pad Adapter

Type NS



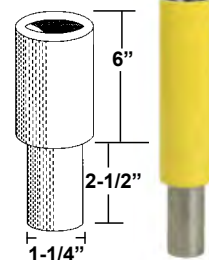
BH-7793-45L (Ref 1-1993)
4-1/2" Nesting Style Height Extension / Stack Pad Adapter

Type NS



BH-7796-04 (Ref 2-1580)
6" Nesting Style Height Extension / Stack Pad Adapter

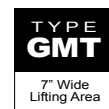
Type NS



Specialty Wide Adapter for 2019, 2020 and newer Chevrolet 1500 Silverado and GM Sierra Trucks - 1-1/4" Pin Dia.

Features 7" Wide Lifting Area • Ref 2-1993x

- BH-7796-10GMT (1) Adapter Base and Pad
- BH-7796-10GMT-2 (2) Adapter Bases and Pads
- BH-7542-75P Replacement Pad Only
- BH-7542-75P-4 Replacement Pads (Set of 4)



More Styles Available—See "Height Extension Adapters and Pads" Catalog



Height Extensions, Pads and Adapters See our *Height Extension Catalog* for more options.

Please always confirm dimensions before ordering. Height Extensions and Adapters come in many different styles and dimensions. SVI is well-known as the adapter expert, specializing in top quality standard and custom adapters. SVI is your answer.



MANY MORE AVAILABLE!
See common adapters and pads in our
Height Extensions Adapters and Pads Catalog
*Includes Nesting Style Height Extensions, Nesting Pad Adapters,
Slip-On Style, Drop-On Style, Adjustable and Fixed Adapters, and more!*



**Additional Height Extensions for Wheeltronic Lifts and Others
FOR VARIOUS MODELS**

Wheeltronic private-labeled lifts for many other companies including Ammco®* / Hennessy, Hofmann, John Bean (JBC), Magnum, Pepboys, Snap-On, TAG, Sun, others

**FOR WHEELTRONIC LIFTS AND OTHER LIFTS
MADE BY WHEELTRONIC**

5" Round Rubber Arm Pad (Ref 6-2050)
 BH-7793-54 1 Pad
 BH-7793-54-4 Kit of 4 Pads and Hardware




**FOR WHEELTRONIC LIFTS AND OTHER LIFTS
MADE BY WHEELTRONIC**

Rectangle Rubber Arm Pad (Ref 3-0872)
 BH-7805-168 1 Pad
 BH-7805 -168-4 Kit of 4 Pads and Hardware



BH-7793-94 (Ref 2-0304)
Standard Low Lifting Pad
4" Screw Up Adapter



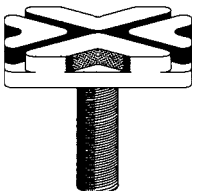
Replaceable Pad: BH-7235-90A

Screw Up Height Extension with 4" x 4.5" Rectangle Slip On Pad
1-1/4"-7 Threads
 Replaces Ref 3-0170 (BH-7090-80)

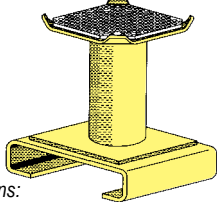
SVI Part #	Height	Threads
BH-7090-80	4"	1-1/4"-7
BH-7090-81	5"	1-1/4"-7
BH-7090-82	6"	1-1/4"-7
BH-7090-83	7"	1-1/4"-7
BH-7090-84	8"	1-1/4"-7

Type SURX

Features BH-7750-02 Replaceable Rubber Pad



BH-7796-48 (Ref 3-0194)
6" Height Extension



Opening Dimensions: 4-5/8" x 1-5/16"

Replaceable Pad: BH-7235-90A

BH-7795-33 (Ref 2-0264, 2-1174)
Rolling Jack Adapter with Rubber Pad



Replaceable Pad: BH-7101-00

Outer Arm Adapter with Rubber Pad for Any Lift

BH-7090-97 • For 3-1/2" Wide Arm
 BH-7090-94 • For 4" Wide Arm
 BH-7090-98 • For 4-3/4" Wide Arm
 BH-7090-95 • For 5" Wide Arm
 BH-7090-96 • For 6" Wide Arm

Specify Outer Arm Width

Works well with Toyota GR Supra and Low-Profile Cars

Replacement Pad: BH-7101-00



More Styles Available—See "Height Extension Adapters and Pads" Catalog



Height Extensions, Pads and Adapters See our *Height Extension Catalog* for more options.

Please always confirm dimensions before ordering. Height Extensions and Adapters come in many different styles and dimensions. SVI is well-known as the adapter expert, specializing in top quality standard and custom adapters. SVI is your answer.



MANY MORE AVAILABLE!
See common adapters and pads in our
Height Extensions Adapters and Pads Catalog
*Includes Nesting Style Height Extensions, Nesting Pad Adapters,
Slip-On Style, Drop-On Style, Adjustable and Fixed Adapters, and more!*



For Wheeltronic Lifts and Snap-On Lifts

For LIFTS WITH FLIP-UP STYLE ADAPTERS - MANY MODELS

Wheeltronic private-labeled lifts for many other companies including Ammco®* / Hennessy, Hofmann, John Bean (JBC), Magnum, Pepboys, Snap-On, TAG, Sun, others

<p>BH-7797-38 (Ref 3-0583) Low Step Position Adapter <i>Also replaces ref 2-0532 Old Style—If lift still has old style, you must also replace high step to mate properly.</i></p> 	<p>BH-7797-37 (Ref 3-0582) High Step Position Adapter <i>Also replaces ref 3-0342 Old Style—If lift still has old style, you must also replace low step to mate properly.</i></p> 	<p>BH-7797-37P SVI Exclusive Rubber Adapter Pad for Wheeltronic Lifts <i>Fits over high step adapter</i></p>  <p><i>Fits over Flip Up Adapters</i></p>
<p>Drop-On FIXED Height Extension with Pad Drop-On 6" Fixed Height Extension with Pad for Wheeltronic and Snap-On Lifts BH-7798-19 • 6" Adapter</p>  <p><i>Fits over Flip Up Adapters BH-7797-37 (Ref 3-0582)</i></p> <p><i>Replaceable Pad: BH-9755-50-1</i></p>	<p>SOWNA Screw-Up Drop-On - ADJ. Slip-Over Adjustable Spin-Up Height Extension with Octagon Pad BH-7790-00 Type SORNA <i>Adjustable 7"-11"</i> <i>Adapter Base Dimensions: 4-1/4" x 1"</i></p>  <p><i>Fits over Flip Up Adapters</i></p> <p>With Octagon Pad <i>Replaceable Pad: BH-7235-90A</i></p>	
<p>Specialty Wide Adapter for 2019, 2020 and newer Chevrolet 1500 Silverado and GM Sierra Trucks <i>Features 7" Wide Lifting Area</i></p> <p>BH-7798-19GMT Flip-Up Adapter Height Extension KIT (2 Front / 2 Rear)</p> <p>BH-7798-19GMT-F (1) 7" Height Extension - FRONT</p> <p>BH-7798-19GMT-R (1) 8" Height Extension - REAR</p>  <div style="border: 1px solid black; padding: 2px; width: fit-content;"> <p>TYPE GMT 7" Wide Lifting Area</p> </div>	<p>BH-7790-00MR Slip Over Adjustable with Heavy Duty Octagon Pad For Mid Rise <i>Adjustable 7"-10"</i> <i>Fits over Flip Up Adapters</i></p>  <p><i>Adapter Base Dimensions: 5" x 1"</i></p> <p><i>Replaceable Pad: BH-7235-90AX</i></p>	

More Styles Available—See "Height Extension Adapters and Pads" Catalog



DIRECTFIT™ Brand Cables for:

Wheeltronic

For all Wheeltronic labeled or manufactured lifts, provide SVI with OEM # on Cable End to ensure the correct label for lift.

SVI Part #	Ref #	O.A.L.	Dia.	Fits Lift Models
BH-7791-54	1-0239			
BH-7792-89	1-1126			
BH-7793-11	1-1473	30' 1"	1/4"	1776S, 1776SVGL, 1812A, 1812A14
BH-7793-33	1-1786	29' 4"		1776A, 1800A
BH-7793-48	1-2039			1812S
BH-7793-57	1-2715			2012S
BH-7793-58	1-2667			2012S14
BH-7793-59	1-2003			1812S14
BH-7793-95	1-2119			9100FP
BH-7794-14	2-0539	31' 4"		LF 12000 Series
BH-7794-15	2-0540	14' 10"		LR 12000 Series, 12407AF
BH-7794-16	2-0541	19' 5"		RR 12000 Series, 12407AF
BH-7794-17	2-0542	35' 7"		RF 12000 Series
BH-7794-38	2-0643	26' 6"		LF 10000 Series, 10400, 12405ST, 12430
BH-7794-39	2-0644	12' 7"		LR 10000 Series, 10400, 12405ST, 12430
BH-7794-40	2-0645	16' 11"		RR 10000 Series, 10400, 12405ST, 12430
BH-7794-41	2-0646	30' 7"		RF 10000 Series, 10400, 12405ST, 12430
BH-7794-91	2-0943	26' 2"		LF, MOT IV, 10404AF
BH-7794-92	2-0944	12"		LR, MOT IV, 10404AF
BH-7794-93	2-0945	16' 2"		RR, MOT IV, 10404AF
BH-7794-94	2-0946	30' 4"		RF, MOT IV, 10404AF
BH-7806-18	2-1093	31' 10-1/2"		
BH-7795-25	2-1094	14' 10"		LR 14407AF
BH-7795-26	2-1095	19' 6"		RR 14407AF
BH-7795-26A	2-1096	36' 5-1/2"		
BH-7795-54	2-1287	32' 3"		LF 12407AF, 14407AF
BH-7795-55	2-1288	36' 10"		RF 12407AF, 14407AF
BH-7795-67	2-1360	33' 11-1/2"		LF, 18405AF
BH-7795-68	2-1361	39' 5-1/2"		RF, 18405AF
BH-7795-69	2-1362	13' 6"		LR, 18405AF
BH-7795-70	2-1363	19'		RR, 18405AF
BH-7795-85	2-1445	30' 10"		LF
BH-7795-86	2-1446	14' 7"		LR
BH-7795-87	2-1447	18' 11"		RR
BH-7795-88	2-1448	35' 1"		RF
BH-7795-92	2-1504	33' 8-1/2"		LF 14407AFX
BH-7795-93	2-1505	13' 1-3/4"		LR 14407AFX
BH-7795-94	2-1506	17' 9-3/4"		RR 14407AFX
BH-7795-95	2-1507	38' 3-1/2"		RF 14407AFX
BH-7796-11	2-1791			LF, If wheel base is 172", Model 12402, 12402XT
BH-7796-12	2-1677			LF, If wheel base is 210", Model 12402, 12402XT
BH-7796-18	2-1792			RF, If wheel base is 172", Model 12402, 12402XT
BH-7796-21	2-1678			RF, If wheel base is 210", Model 12402, 12402XT
BH-7806-12	2-1679			LR, Model 12402, 12402XT
BH-7806-13	2-1680			RR, Model 12402, 12402XT

P
a
g
e

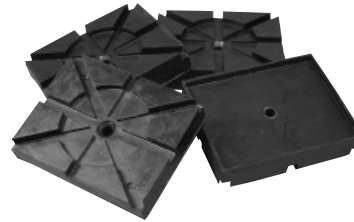
6



Commonly Used Parts

For 2-Post Lifts

SVI Part #	OEM #	Description
BH-7101-00	82365	Rubber Arm Pad
BH-7790-19	2-0772	Slider Block
BH-7792-18	1-0767	Compression Spring
BH-7792-84	1-1115	Safety Spring for Latch
BH-7793-42	1-1898	3" x 3/4" Cable Pulley
BH-7796-10B	2-1993x	Adapter with Step, with Ammco-style Pad (BH-7101-00) / Pin is 1-1/4" diameter
BH-7796-10AP	2-1993x	Step Adapter Base with Wheeltronic-style Pad (BH-7805-168) / Pin is 1-1/4" diameter
BH-7793-56	1-3278	No Step Adapter with Wheeltronic-style Pad
BH-7798-22	1-2038	Arm Restraint Kit for 1 Arm
BH-7805-168	3-0872	Rectangular Pad
BH-7805-168-4	3-0872 x	Rectangular Pad Kit (Set of 4)
BH-7806-31	1-2618	Arm Restraint Gear
BH-7806-38	6-3160	Solenoid
BH-7806-39	1-2914	Arm Restraint Engage Handle



Rectangular Rubber Lift Arm Pad (ref 3-0872)
BH-7805-168 1 Pad
BH-7805-168-4 Kit of 4 Pads



BH-7796-10B
 (Ref 2-1993-x)



BH-7796-10AP
 (Ref 2-1993-x)



BH-7793-56
 (Ref 1-3278)

For Rolling Jack

SVI Part #	OEM #	Description
BH-7806-32	6-2404	Air/Hydraulic Pump Rebuild Kit
BH-7806-28	6-1428	RJ Pump

For Mid Rise

SVI Part #	OEM #	Description
BH-7790-00MR		7-10" Slip-On Height Extension



BH-7790-00MR
 7-10" Slip-On Height Extension for Mid Rise



BH-7793-42
 (Ref 1-1898)
 Cable Pulley



BH-7806-31
 (Ref 1-2618)
 Arm Restraint Main Half-Moon Gear



BH-7806-39
 (Ref 1-2914)
 Arm Restraint Engage Handle

For 4-Post Lifts

SVI Part #	OEM #	Description
BH-7790-32		Wheel for Slack Cable
BH-7790-19	2-0772	Slider Block
BH-7792-84	1-1115	Safety Spring for Latch
BH-7806-09	1-2316	Torsion Spring
BH-7806-14	1-2475	Cable Break Lever
BH-7796-18	2-1792	RF Cable for 12402
BH-7806-21	6-2434	Air Cylinder
BH-7806-60	1-2248	Guide Block

BH-7792-84
 (Ref 1-1115)
 Safety Spring for Latch



BH-7806-09
 (Ref 1-2316)
 Torsion Spring



BH-7798-22
 (Ref 1-2038)
 Arm Restraint Kit for 1 Arm
 (Used with Main Gear BH-7806-31)



BH-7806-28
 (ref 6-1428)
 Rolling Jack Pump
 5500 PSI



BH-7806-32
 (Ref 6-2404)
 Air/Hyd. Pump Rebuild Kit



BH-7806-14
 (Ref 1-2475)
 Cable Break Lever



BH-7806-15
 (Ref 1-2314)
 Cable Break Lock



BH-7806-60 (Ref 1-2248)
 Guide Block



BH-7790-19 (Ref 2-0772)
 Slider Block



BH-7790-32 (Ref 1-0766)
 Wheel for Slack Cable

Please also call regarding your other lift models.

We have parts for your lift and for many more not listed here!

Please have date code and serial number when you call.



SVI's Product Line is Vast

CONTACT US TODAY IF THERE'S SOMETHING YOU CAN'T FIND

800-321-8173 • 815-748-0200 • www.sviinternational.com



Shims for 3/4" Wedge and Screw Anchors

Color Coded Shims are In-Stock! Order Today!

BH-7512-92	Assortment	150 Shims (50 each)
BH-7512-90	1/16" Blue	Pack of 50
BH-7512-91	1/8" Red	Pack of 50
BH-7512-89	1/4" Black	Pack of 50

HEAVY DUTY PLASTIC SLOTTED SHIMS

Extra-thick shims make it easy to level and align 2- and 4-post surface mount lifts. These rugged plastic shims will not corrode, rot or rust. A must-have for every professional lift installer in the industry.



Installation Kits Available

Installation Supplies

- Carbide Drill Bits
- Core Bits
- Epoxy and Adhesives
- Wedge Anchors
- Screw Anchors
- Rebar Cutters and Adapter
- Rod Seal Install Tools
- Safety & Inspection Stickers

Many Sizes Available!



Simpson Carbide Drill Bits Many Options and Sizes Available!
 BH-7064Q-12-21 (Drilling Depth 16" / 3/4" dia.) SDS Max Quad Head Bit
 BH-7065Q-12-23 (Drilling Depth 18" / 3/4" dia.) Spline Shank Quad Head Bit
 BH-7065Q-12-16 (Drilling Depth 11" / 3/4" dia.) Spline Shank Quad Head Bit



Wheel / Tire Hanger Kits

Increase Efficiency • For Any Budget



BH-7545-70K-4 Kit of 4
 BH-7545-70K Individual
 Includes Hardware

SF-92100
 Set of 2



Wedge Anchors
 Many Sizes Available!
 BH-7075-03
 3/4" x 5-1/2"

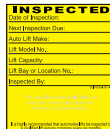
Ask How to Get
 Free Shipping on
 Wedge Anchors!



Screw Anchors
 Many Sizes Available!
 BH-7075-26
 1/2" x 4"
 BH-7075-37
 3/4" x 5"



Rod Seal Install Tool Set
 BH-7079-01
 Includes 3 Install Tools
 to Service 3/4" ID Seals
 up to 3" ID Seals



Inspection Stickers
 Roll of 250
 BH-7011-11

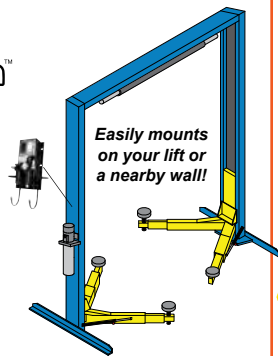
ASK FOR OUR INSTALLATION SUPPLIES CATALOG

Air / Hydraulic Pumps for Rolling Bridge Jacks

Options Available—Call Today!



POWER STATION™
AIR / ELECTRIC
UTILITY BOX
 4 Colors Available



Easily mounts
 on your lift or
 a nearby wall!

Vehicle Lifts and Lifting Equipment

New Lifts for Cars, Trucks, Buses, Motorcycles, UTVs and More
 Replacement Cylinders Sections & Kits • Turf Trays for 2-Post Lifts



SVI's Product Line is Vast

CONTACT US TODAY IF THERE'S SOMETHING YOU CAN'T FIND

800-321-8173 • 815-748-0200 • www.sviinternational.com

INCREASE EFFICIENCY • ELIMINATE COSTLY DAMAGE TO DOORS • REDUCE STRESS OF SHOP TECHNICIANS

doorjammer **PRO**™
Durable • Impact Resistant

A Must-Have for All 2-Post Lifts!

Available in 2 Sizes!

BH-7077-02-2S 12" tall x 18" wide
BH-7077-02-2 24" tall x 18" wide

Prevents Door Dings!
Just one damaged door can cost
3 times as much as a simple investment
in one SVI doorjammerPRO™.



Auto Lift Cables and Chain Sheaves / Pulleys / Chain Rollers



TURF AND UTILITY TRAYS

FOR 2-POST LIFTS
SYMMETRIC / ASYMMETRIC

**The #1 Choice for
Symmetric or Asymmetric
2-Post Surface Mount Lifts
and In-Ground
Side-By-Side, too!**



Hose Reel Hose Stops
Options Available—Call Today!



Auto Lift Power Units and Parts

Call SVI today!



Tire Changer Parts and Accessories

For Most Makes and Models

See our [Tire Changer Repair Parts Catalog!](#)



Brake Lathe Repair Parts

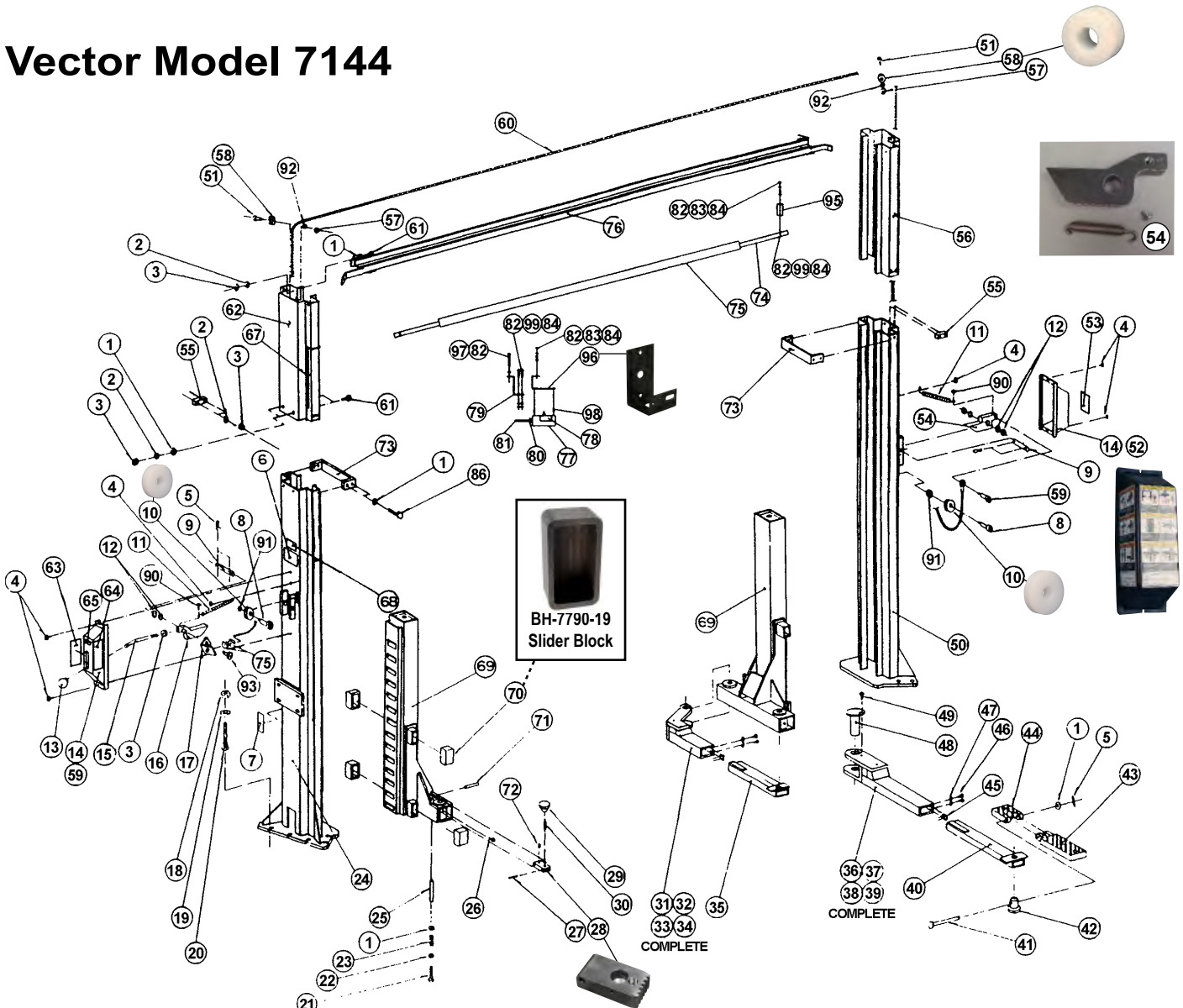
For Most Makes and Models

See our [Brake Lathe Repair Parts Catalog!](#)





Vector Model 7144



Item	SVI part #	OEM #	Req	Description
1	F-FW-0500-SAE	6-0248	24	1/2" Flat Washer
2	F-LW-0500	6-0059	16	1/2" Lock Washer
3	F-HN-0500-13	6-0035	17	1/2"-13 Hex Nut
4	call	6-1134	6	Self Tap. Screw, #12 x 1/2"
5	F-CP-125-1000	6-0267	8	Cotter Pin, 1/8" x 1"
6	BH-7805-102	6-0996	1	ALI/ETL Decal
7	BH-7805-103	6-1583	1	"Hydraulic Leveling" Decal
8	BH-7791-09	6-0206	2	Shoulder Bolt, 3/8" x 1"
9	BH-7792-53	1-0938	2	Safety Pin
10	BH-7791-78	1-0415	2	Safety Pulley
11	BH-7792-84	1-1115	2	Safety Spring
12	call	6-0808	8	5/164" Flat Washer
13	BH-7798-26	6-1135	1	Plastic Knob
14	BH-7796-99	3-0439	2	Safety Cover
15	BH-7792-83	1-1113	1	Safety Release Handle
16	BH-7794-88	2-0902	1	Safety Dog, L.H.
17	BH-7792-95	1-1291	1	Cable Connecting Bracket
18	F-HN-0750-10	6-0737	14	Hex Nut, 3/4"-10
19	F-FW-0750-USS	6-0738	14	Flat Washer 3/4"
20	BH-7798-77	6-1379	14	3/4" x 5-1/2" Anchor

Item	SVI part #	OEM #	Req	Description
21	F-HC-0250-20-1250	6-0027	4	Hex Bolt, 1/4"-20 x 1-1/4"
22	5-FW-0250	6-0626	4	1/4" Fender Washer
23	BH-7792-54	1-0939	4	Plunger Spring
24	BH-7798-27	4-0316	1	Tower, L.H.
25	BH-7792-12	1-0745	4	Pivot Plunger
26	BH-7800-51	6-0000	4	Grease Fitting
27	F-RP-125-1000	6-0437	4	Roll Pin, 1/8" x 1"
28	BH-7793-87	2-0249	4	Restraint Gear
29	BH-7791-50	1-0208	4	Knob
30	BH-7792-90	1-1135	4	Trd. Rod, 3/8"-16 x 1-1/2"
31	BH-7797-28	3-0561	1	Outer Arm Tube, R.H.
32	BH-7797-29	3-0562	1	Outer Arm Tube, L.H.
33	BH-7798-28	4-0464	1	Locking Arm Assembly, R.H.
34	BH-7798-29	4-0463	1	Locking Arm Assembly, L.H.
35	BH-7795-24	2-1088	2	Short Inner Arm
36	BH-7797-27	3-0560	1	Outer Arm Tube, R.H.
37	BH-7797-26	3-0559	1	Outer Arm Tube, L.H.
38	BH-7798-30	4-0462	1	Locking Arm Assembly, R.H.
39	BH-7798-31	4-0461	1	Locking Arm Asembly, L.H.
40	BH-7795-23	2-1086	2	Inner Arm

continues on next page

Vector Model 7144

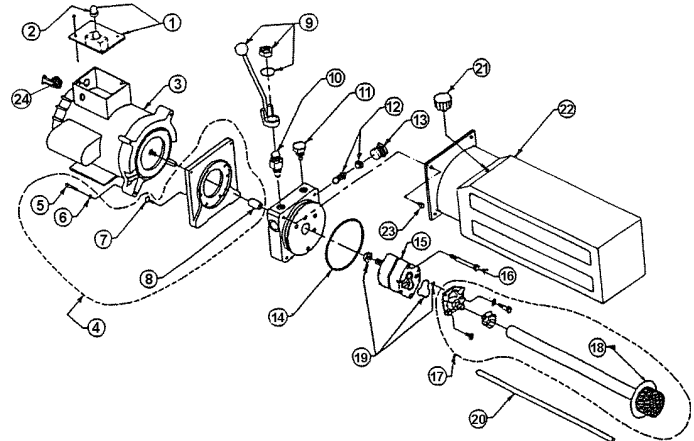
(continued)

Item	SVI part #	OEM #	Req	Description
41	BH-7792-82P	1-1099	4	Center Pin
42	BH-7792-77	1-1091	4	Adapter Pin
43	BH-7797-37	3-0582	4	High Step Position Adapter
	BH-7798-19			Height Ext. Drop-On 6" w/Pad
44	BH-7797-38	3-0583	4	Low Position Adapter
45	BH-7791-60	1-0263	4	Arm Stop
46	F-HC-0250-28-0625	6-0339	8	Hex Bolt, 1/4"-28 x 5/8"
47	F-LW-0250	6-0056	8	Lock Washer, 1/4"
48	BH-7796-06	2-0439	4	Arm Pin
49	F-HC-0312-18-0750	6-0423	4	Hex Bolt, 5/16"-18 x 3/4"
50	BH-7798-32	4-0317	1	Tower, Rt. Side
51	call	6-0069	2	Shoulder Bolt, 3/8" x 5/8"
52	BH-7790-78	0-0203	1	Safety Cover with Decals, R.H.
53	BH-7805-100	6-0594	1	"Safety Instructions" Decal
54	BH-7790-94	2-0872	1	Safety Dog & Spring, Power Side
55	BH-7792-86	1-1119	4	Carriage Stop
56	BH-7797-02	3-0449	1	Extension, R.H.
57	F-HN-0312-18	6-0294	2	Hex Nut, 5/16"-18
58	BH-7792-85	1-1116	2	Safety Cable Pulley
59	call	6-0908	1	Shoulder Bolt, 3/8" x 1-1/4"
60	BH-7790-44	1-1305	1	Safety Release Cable, 285-1/2
61	F-HC-0500-13-1500	6-0291	8	Hex Bolt, 1/2"-13 x 1-1/2"
62	BH-7797-03	3-0450	1	Extension, L.H.
63	BH-7805-96	6-0595	1	"Warning" Decal
64	BH-7805-97	6-0592	1	"Caution" Decal
65	BH-7805-98	6-0603	1	"Safety Release" Decal
67	BH-7798-74	6-1230	3	Eq. Cable Clip, 3/8"
68	BH-7798-33	6-1118	1	Serial # Tag
69	BH-7798-34	4-0420	1	Carriage, R.S.

Item	SVI part #	OEM #	Req	Description
70	BH-7790-19	2-0772	8	Slider Block
71	BH-7798-35	4-0424	1	Carriage, L.S.
72	F-SS-0250-20-0500	6-0438	4	Set Screw, 1/4"-20 x 1/2"
73	BH-7794-83	2-0883	2	Tower Brace
74	BH-7793-01	1-1380	1	Actuator Bar
75	BH-7798-36	6-1404	1	Foam Guard
76	BH-7797-01	3-0440	1	Crossmember
77	BH-7798-37	6-1403	1	Electrical Utility Box
78	BH-7798-38	6-0916	1	Microswitch
79	BH-7792-99	1-1379	1	Actuator Extension
80	BH-7798-39	6-1133	1	Cable Connector
81	BH-7798-40	6-1173	1	Electrical Cable, 117" Long
82	F-HN-0250-20	6-0032	7	Hex Hd. Nut, 1/4"
83	call	6-0178	3	Hex Hd. Bolt, 1/4" x 3/4"
84	F-LW-0250	6-0056	6	Lock Washer 1/4"
86	F-HC-0500-13-2500	6-0767	8	Hex Bolt, 1/2"-13 x 2-1/2"
87	BH-7790-79	0-0204	1	Safety Cover with Decals, L.H.
90	BH-7806-10	6-0169	2	Self Tap. Screw #10 x 3/8"
91	BH-7798-12	6-0295	2	Flat Washer 5/16"
92	F-LW-0312	6-0296	2	Lock Washer 5/16"
93	call	6-0185	1	Shoulder Bolt, 5/16" x 1/4"
94	BH-7791-70	1-0333	4	Pivot Pin
95	BH-7792-98	1-1378	1	Actuator Mtg. Bracket
96	BH-7795-32	2-1143	1	Limit Switch Mtg. Bracket
97	F-HC-0250-20-2000	6-0177	1	Hex Hd. Bolt, 1/4" NC x 2"
98	call	6-1466	2	6/32" Screw (Electric Box)
99	call	6-0027	3	Hex Hed. Bolt, 1/4" x 1-1/4"

Vector Model 7144 - Power Pack

Item	SVI part #	OEM #	Req	Description
1	BH-7004-36	6-0881	1	Small Microswitch - New Style
2	BH-7803-68	6-1084	1	Microswitch Boot
3	BH-7802-53	6-0773	1	Motor 230 Vac. 1 PH. 60 Hz.
4	call	0-0197	1	Motor Adapter Kit
5	F-SC-0250-20-0625	6-1085	4	Skt. Hd. Capscrew 1/4"-20 x 5/8"
6	F-LW-0250	6-0056	4	Lock Washer, 1/4"
7	BH-7806-25	6-1086	4	Allen Flat Screw 1/4"-20 x 3/4"
8	BH-7802-54	6-0774	1	Coupling
9	BH-7802-56	6-0776	1	Release Bracket & Handle Assembly
10	BH-7802-92	6-0880	1	Valve Cartridge Release
11	BH-7803-69	6-1087	1	Valve Cartridge Check
12	BH-7804-04	6-1317	1	Fixed Relief Valve, RV 17
13	BH-7803-71	6-1089	1	Relief Valve Cap
14	BH-7802-87	6-0875	1	Reservoir "O" Ring
15	BH-7802-60	6-0782	1	Pump Assembly
16	BH-7803-72	6-1090	2	Pump Mounting Bolt
17	BH-7790-76	0-0198	1	Inlet Plumbing Kit
18	BH-7802-64	6-0786	1	Inlet Hose/Filter Assembly
19	BH-7790-77	0-0199	1	Pump "O" Ring Kit
20	BH-7802-61	6-0783	1	Return Tube

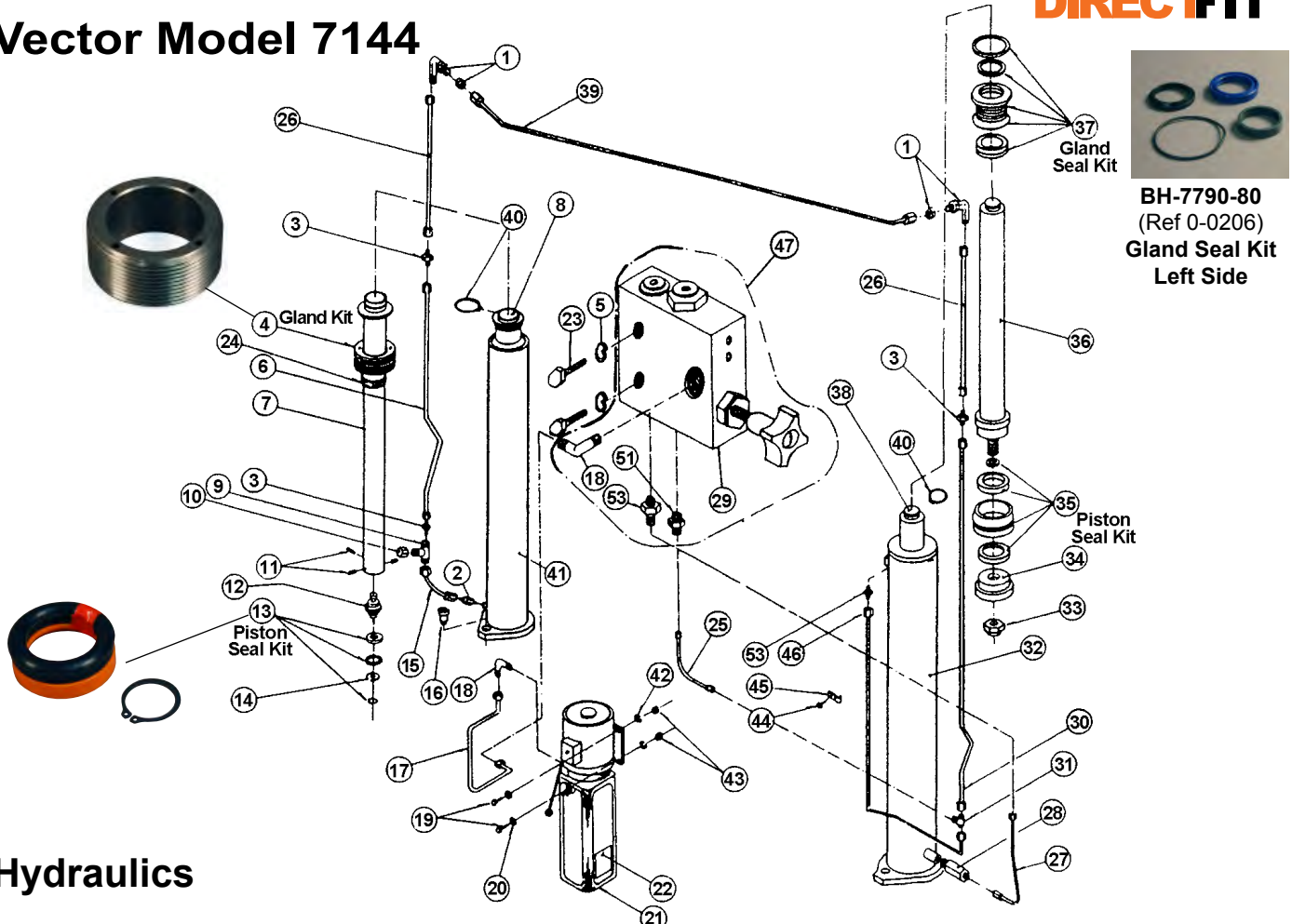


Item	SVI part #	OEM #	Req	Description
21	BH-7007-92	6-1376	1	Breather-Filler Cap (Plastic)
22	BH-7804-17	6-1399	1	Reservoir (Plastic)
23	BH-7803-73	6-1091	4	Reservoir Screw
24	BH-7803-76	6-1133	1	Cable Connector, 90°, 3/8"



DIRECTFIT™

Vector Model 7144



BH-7790-80
(Ref 0-0206)
Gland Seal Kit
Left Side

Hydraulics

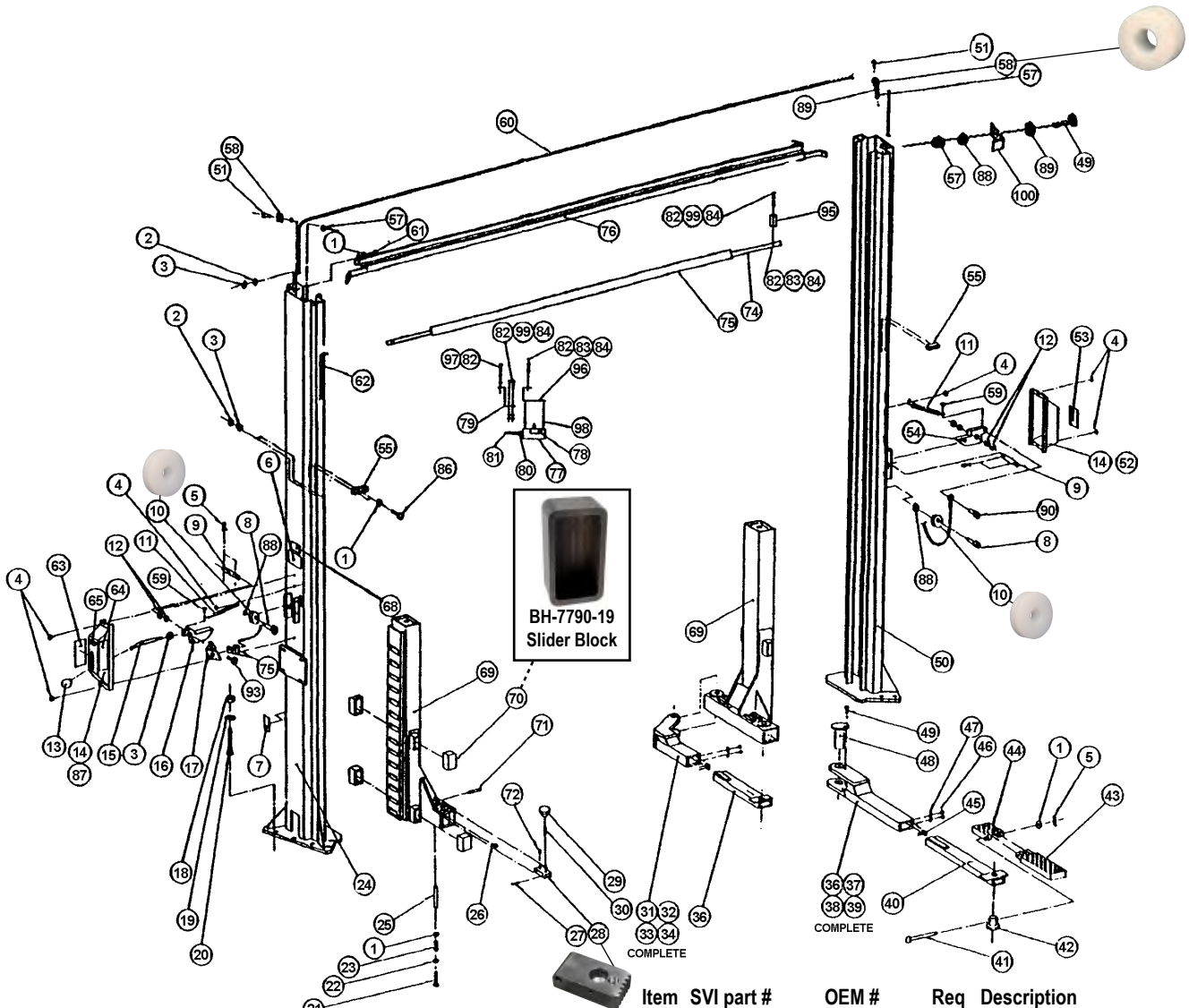
Item	SVI part #	OEM #	Req	Description
1	BH-7798-41	6-0012	2	Blkhd. 90° 3/8" JIC
2	BH-7798-42	6-0345	1	Adpt, 3/8" NPT-3/8" JIC x 2-1/4"
3	BH-7798-43	6-0286	3	Union, 3/8" JIC Male
4	BH-7790-65	0-0162	1	Gland Seal Kit, R.H.
5	F-LW-0250	6-0056	2	Lock Washer, 1/4"
6	BH-7794-54	2-0716	1	Hydraulic Tube Assembly
7	BH-7794-65	2-0801	1	Piston Tube, R.H.
8	BH-7796-96	3-0430	1	Hydraulic Cyl. Assembly, R.H.
9	BH-7798-75	6-0284	1	Tee. 3/8" Swivel Nut JIC Male
10	BH-7798-59	6-0021	1	Cap. 3/8" JIC
11	call	6-0580	3	Hd. Setscrew, 1/4" x 3/8"
12	BH-7794-34	2-0619	1	Piston
13	BH-7798-02	0-0159	1	Piston Seal Kit, R.H.
14	BH-7792-07	1-0725	1	Keeper Washer
15	BH-7791-24	1-0102	1	Hydraulic Tube Assembly
16	call	6-0425	2	Shoulder Bolt 1/2" x 5/8"
17	BH-7795-31	2-1140	1	Hydraulic Tube Assembly
18	BH-7798-45	6-0804	2	Elb. 90° 9/16" SAE M-3/8" JIC M
19	F-HC-0312-18-1000	6-0293	4	Hex Bolt, 5/16"-18 x 1"
20	F-FW-0312-USS	6-0061	8	Flat Washer 5/16"
21	BH-7798-46	6-1146	1	Power Pack
22	BH-7805-101	6-1265	1	"Lift Operations" Decal
23	F-HC-0250-20-1750	6-0028	2	Hex Hd. Bolt 1/4-20 x 1-3/4"
24	BH-7792-09	1-0734	1	Felt Strip (n/a)
25	BH-7792-97	1-1341	1	Hydraulic Hose Assembly

Item	SVI part #	OEM #	Req	Description
26	BH-7794-81	2-0878	2	Hydraulic Tube Assembly
27	BH-7790-42	2-0886	1	Hydraulic Tube Assembly
28	BH-7790-43	6-0422	1	Velocity Fuse, 4 GPM
29	BH-7798-47	6-1362	1	Hydraulic Valve Block
30	BH-7794-87	2-0888	1	Hydraulic Tube Assembly
31	BH-7798-48	6-1372	1	Branch "T" JIC All Ends
32	BH-7796-95	3-0428	1	Cylinder Barrel, L.H.
33	call	6-0631	1	Uni-Torque Locknut, 7/8"-9
34	BH-7794-10	2-0521	1	Piston Spigot
35	BH-7790-09	0-0160	1	Piston Seal Kit, L.H.
36	BH-7794-64	2-0793	1	Piston Rod, L.H.
37	BH-7790-80	0-0206	1	Gland Seal Kit, L.H.
38	BH-7790-36	4-0289	1	Hydraulic Cylinder Assembly, L.H.
39	BH-7794-82	2-0879	1	Hydraulic Tube Assembly
40	BH-7798-49	6-0340	2	Circlip
41	BH-7794-66	2-0802	1	Cylinder Barrel, R.H.
42	F-LW-0312	6-0674	4	Lock Washer 5/16"
43	F-HN-0312-18	6-0294	4	Hex Nut 5/16"-18
44	F-MS-0250-20-0375	6-1353	7	Rnd. Hd. Bolt, 1/4"-20 x 3/8"
45	BH-7798-50	6-0170	7	Tube Clamp
46	BH-7794-86	2-0887	1	Hydraulic Tube Assembly
47	BH-7790-99	6-1389	1	Hydraulic Valve Block Assy. (C/W Fittings)
51	BH-7798-51	6-0281	1	Adpt, 1/4" NPT. M-1/4" JIC M
53	BH-7798-52	6-0276	2	Adapter, 1/4" NPT. M-3/8" JIC M

P
a
g
e

12

Vector Model 8144V



Item	SVI part #	OEM #	Req	Description
1	F-FW-0500-SAE	6-0248	20	Flat Washer, 1/2"
2	F-LW-0500	6-0059	12	Lock Washer, 1/2"
3	F-HN-0500-13	6-0035	13	Hex Nut, 1/2"-13
4	call	6-1134	6	Self Tap. Screw #12 x 1/2"
5	BH-7798-53	6-0267	8	Cotter Pin, 1/8" x 1"
6	BH-7805-102	6-0996	1	ALI/ETL Decal
7	BH-7805-103	6-1583	1	"Hydraulic Leveling" Decal
8	BH-7791-09	6-0206	2	Shld. Bolt, 3/8" x 1"
9	BH-7792-53	1-0938	2	Safety Pin
10	BH-7791-78	1-0415	2	Safety Pulley
11	BH-7792-84	1-1115	2	Safety Spring
12	call	6-0808	8	51/64" Flatwasher
13	BH-7798-26	6-1135	1	Plastic Knob
14	BH-7796-99	3-0439	2	Safety Cover
15	BH-7792-83	1-1113	1	Safety Release Handle
16	BH-7794-88	2-0902	1	Safety Dog, L.H.
17	BH-7792-95	1-1291	1	Cable Connecting Bracket
18	F-HN-0750-10	6-0737	14	Hex Nut, 3/4"-10
19	F-FW-0750-USS	6-0738	14	Flat Washer, 3/4"
20	BH-7798-77	6-1379	14	Wedge Anchor, 3/4" x 5-1/2"
21	call	6-0027	4	Hex Bolt, 1/4" x 1-1/4"
22	BH-7808-76	6-0626	4	Fender Flat Washer
23	BH-7792-54	1-0939	4	Plunger Spring
24	BH-7798-54	4-0381	1	Tower, L.H.
25	BH-7792-12	1-0745	4	Pivot Plunger
26	BH-7800-51	6-0000	4	Grease Fitting
27	F-RP-125-1000	6-0437	4	Roll Pin, 1/8" x 1"
28	BH-7793-87	2-0249	4	Restraint Gear
29	BH-7791-50	1-0208	4	Knob
30	BH-7792-90	1-1135	4	Thrd. Rod, 3/8"-16 x 1-1/2"
31	BH-7797-28	3-0561	1	Outer Arm Tube, R.H.
32	BH-7797-29	3-0562	1	Outer Arm Tube, L.H.
33	BH-7798-28	4-0464	1	Locking Arm Assembly, R.H.
34	BH-7798-29	4-0463	1	Locking Arm Assembly, L.H.
35	BH-7795-24	2-1088	2	Short Inner Arm
36	BH-7797-27	3-0560	1	Outer Arm Tube, R.H.
37	BH-7797-26	3-0559	1	Outer Arm Tube, L.H.
38	BH-7798-30	4-0462	1	Locking Arm Assembly, R.H.
39	BH-7798-31	4-0461	1	Locking Arm Assembly, L.H.
40	BH-7795-23	2-1086	2	Inner Arm



DIRECTFIT™

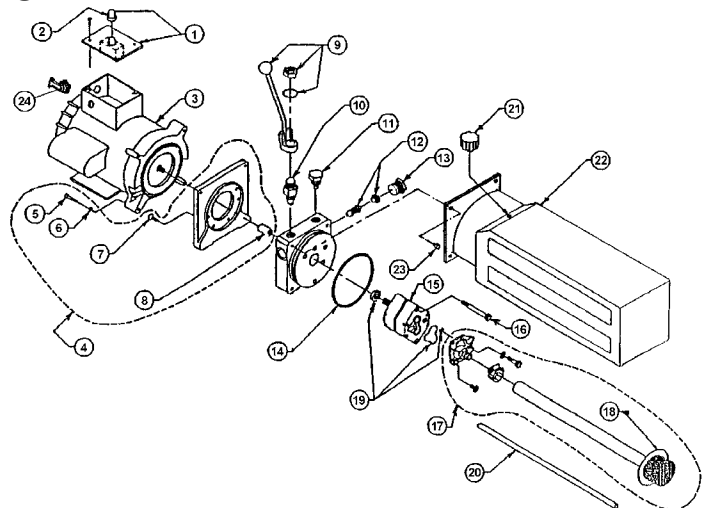
Vector Model 8144V (continued)

Item	SVI part #	OEM #	Req	Description
41	BH-7792-82P	1-1099	4	Center Pin
42	BH-7792-77	1-1091	4	Adapter Pin
43	BH-7797-37	3-0582	4	High Step Position Adapter
	BH-7798-19			Height Ext. Drop-On 6" w/Pad
44	BH-7797-38	3-0583	4	Low Position Adapter
45	BH-7791-60	1-0263	4	Arm Stop
46	F-HC-0250-28-0625	6-0339	8	Hex Bolt, 1/4"-28 x 5/8"
47	F-LW-0250	6-0056	8	Lock Washer, 1/4"
48	BH-7796-06	2-0439	4	Arm Pin
49	F-HC-0312-18-0750	6-0423	6	Hex Bolt, 5/16"-18 x 3/4"
50	BH-7798-55	4-0382	1	Tower, R.H.
51	call	6-0069	2	Shoulder Bolt, 3/8" x 5/8"
52	BH-7790-78	0-0203	1	Safety Cover with Decals, R.H.
53	BH-7805-100	6-0594	1	"Safety Instructions" Decal
54	BH-7794-79	2-0872	1	Safety Dog, R.H.
55	BH-7792-86	1-1119	4	Carriage Stop
57	F-HN-0312-18	6-0294	4	Hex Nut, 5/16"-18
58	BH-7792-85	1-1116	2	Safety Cable Pulley
59	call	6-0169	2	Self Tap. Screw, #10 x 3/8"
60	BH-7790-44	1-1305	1	Safety Release Cable, 285-1/2"
61	F-HC-0500-13-1500	6-0291	4	Hex Bolt, 1/2"-13 x 1-1/2"
62	BH-7798-56	6-1759	3	Eq. Cord Clip, 5/8"
63	BH-7805-96	6-0595	1	"Warning" Decal
64	BH-7805-97	6-0592	1	"Caution" Decal
65	BH-7805-98	6-0603	1	"Safety Release" Decal
68	BH-7798-57	6-1119	1	Serial # Tag
69	BH-7798-58	4-0421	2	Carriage

Item	SVI part #	OEM #	Req	Description
70	BH-7790-19	2-0772	8	Slider Block
71	BH-7791-70	1-0333	4	Pivot Pin
72	F-SS-0250-20-0500	6-0438	4	Set Screw, 1/4"-20 x 1/2"
74	BH-7793-01	1-1380	1	Actuator Bar
75	BH-7798-36	6-1404	1	Foam Guard
76	BH-7797-01	3-0440	1	Crossmember
77	BH-7798-37	6-1403	1	Electrical Utility Box
78	BH-7004-19	6-0916	1	Microswitch
79	BH-7792-99	1-1379	1	Actuator Extension
80	BH-7798-39	6-1133	1	Cable Connector
81	BH-7798-40	6-1173	1	Electrical Cable, 117" Long
82	F-HN-0250-20	6-0032	7	Hex Hd. Nut, 1/4" NC
83	F-HC-0250-20-0750	6-0178	3	Hex Hd. Bolt, 1/4" NC x 3/4"
84	F-LW-0250	6-0056	6	Lock Washer, 1/4"
86	F-HC-0500-13-2250	6-0135	8	Hex Bolt, 1/2"-13 x 2-1/4"
87	BH-7790-79	0-0204	1	Safety Cover with Decals, L.H.
88	BH-7798-12	6-0295	4	Flat Washer, 5/16"
89	F-LW-0312	6-0296	4	Lock Washer, 5/16"
90	BH-7790-31	6-0801	1	Shoulder Bolt, 3/8" x 1-1/2"
93	call	6-0185	1	Shoulder Bolt, 5/16" x 1/4"
95	BH-7792-98	1-1378	1	Actuator Mtg. Bracket
96	BH-7795-32	2-1143	1	Limit Switch Mtg. Bracket
97	call	6-0177	1	Hex Hd. Bolt, 1/4" NC x 2"
98	call	6-1466	2	6/32" Screw (Electric Box)
99	call	6-0027	3	Hex Hd. Bolt, 1/4" NC x 1-1/4"
100	BH-7795-90	2-1477	1	Angle Bracket

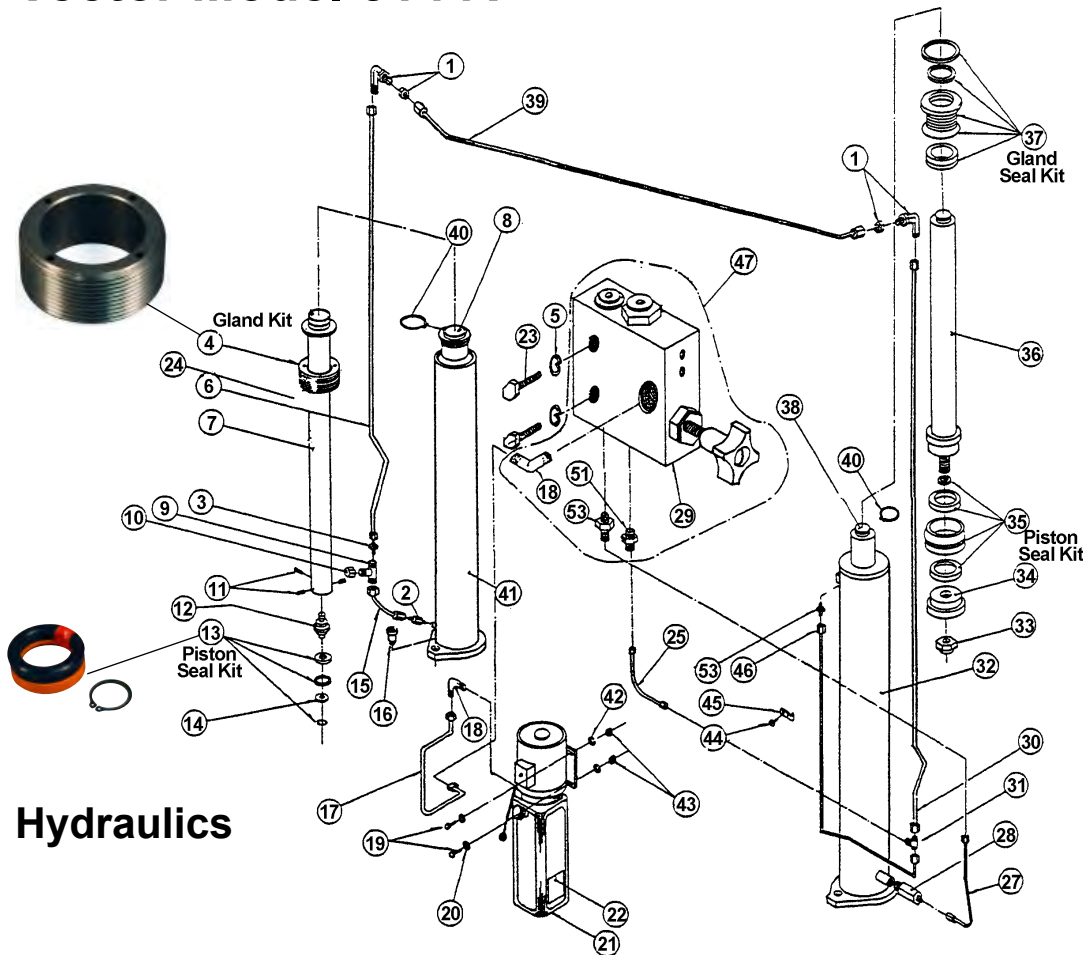
Vector Model 8144V - Power Pack

Item	SVI part #	OEM #	Req	Description
1	BH-7004-36	6-0881	1	Small Microswitch - New Style
2	BH-7803-68	6-1804	1	Microswitch Boot
3	BH-7802-53	6-0773	1	Motor 230 Vac., 1 PH., 60 Hz.
4	BH-7805-14	0-0197	1	Motor Adapter Kit
5	call	6-1085	4	Skt. Hd. Capscrew. 1/4" x 5/8"
6	F-LW-0250	6-0056	4	Lock Washer, 1/4"
7	BH-7806-25	6-1086	4	Allen Hd. Ft. Scw. 1/4" x 3/4"
8	BH-7802-54	6-0774	1	Coupling
9	BH-7802-56	6-0776	1	Release Bracket & Handle Assembly
10	BH-7802-92	6-0880	1	Valve Cartridge Release
11	BH-7803-69	6-1087	1	Valve Cartridge Check
12	BH-7804-04	6-1317	1	Fixed Relief Valve, RV 17
13	BH-7803-71	6-1089	1	Relief Valve Cap
14	BH-7802-87	6-0875	1	Reservoir "O" Ring
15	BH-7802-60	6-0782	1	Pump Assembly
16	BH-7803-72	6-1090	2	Pump Mounting Bolt
17	BH-7790-76	0-0198	1	Inlet Plumbing Kit
18	BH-7802-64	6-0786	1	Inlet Hose/Filter Assembly
19	BH-7790-77	0-0199	1	Pump "O" Ring Kit
20	BH-7802-61	6-0783	1	Return Tube



Item	SVI part #	OEM #	Req	Description
21	BH-7804-13	6-1376	1	Breather-Filler Cap (Plastic)
22	BH-7804-17	6-1399	1	Reservoir (Plastic)
23	BH-7803-73	6-1091	4	Reservoir Screw
24	BH-7803-76	6-1133	1	Cable Connector, 90°, 3/8"

Vector Model 8144V



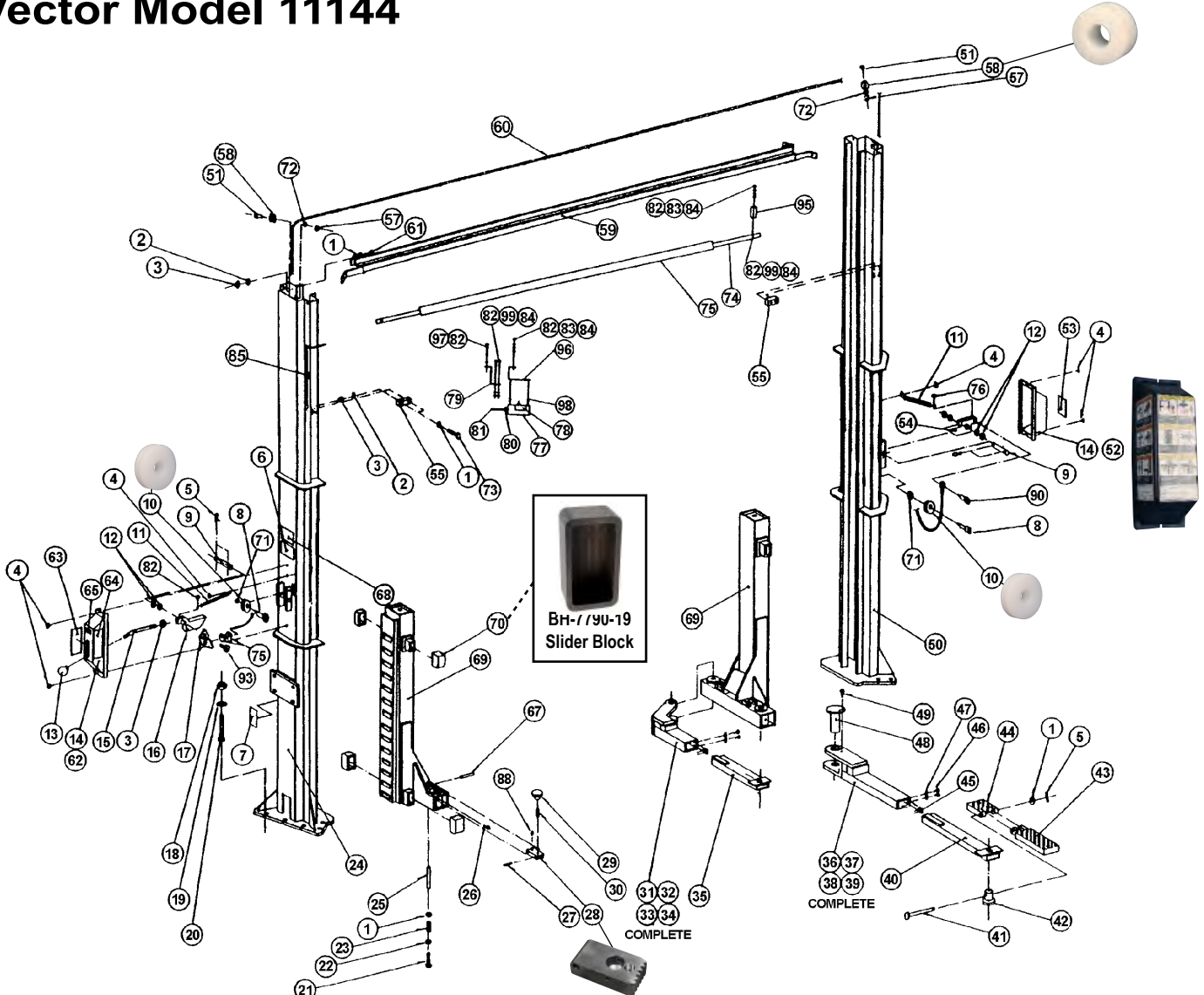
BH-7790-80
(Ref 0-0206)
Gland Seal Kit - Left

Hydraulics

Item	SVI part #	OEM #	Req	Description
1	BH-7798-41	6-0012	2	90° Blkhd., 3/8" JIC-3/8" JIC
2	BH-7798-42	6-0345	1	Adapter, 3/8" NPT-3/8" JIC x 2-1/4"
3	BH-7798-43	6-0286	1	Union, 3/8" JIC Male
4	BH-7790-65	0-0162	1	Gland Seal Kit, R.H.
5	F-LW-0250	6-0056	2	Lock Washer, 1/4"
6	BH-7794-96	2-0960	1	Hydraulic Tube Assembly
7	BH-7794-65	2-0801	1	Piston Tube, R.H.
8	BH-7796-96	3-0430	1	Hydraulic Cyl. Assembly, R.H.
9	BH-7798-75	6-0284	1	Tee, 3/8" Swivel Nut JIC Male
10	BH-7798-59	6-0021	1	Cap., 3/8" JIC
11	call	6-0580	3	Allen Hd. Setscrew, 1/4"-20 x 3/8"
12	BH-7794-34	2-0619	1	Piston
13	BH-7798-02	0-0159	1	Piston Seal Kit, R.H.
14	BH-7792-07	1-0725	1	Keeper Washer
15	BH-7791-24	1-0102	1	Hydraulic Tube Assembly
16	call	6-0425	2	Shoulder Bolt, 1/2" x 5/8"
17	BH-7795-31	2-1140	1	Hydraulic Tube Assembly
18	BH-7798-45	6-0804	2	90° 9/16" SAE M-3/8" JIC M
19	F-HC-0312-18-1000	6-0293	4	Hex Bolt, 5/16"-18 x 1"
20	F-FW-0312-USS	6-0061	8	Flat Washer, 5/16"
21	BH-7798-60	6-1956	1	Power Pack
22	call	6-1265	1	"Lift Operations" Decal
23	call	6-0028	2	Hex Hd. Bolt, 1/4" x 1-3/4"
24	BH-7792-09	1-0734	1	Felt Strip (nla)

Item	SVI part #	OEM #	Req	Description
25	BH-7792-97	1-1341	1	Hydraulic Hose Assembly
27	BH-7790-42	2-0886	1	Hydraulic Tube Assembly
28	BH-7790-43	6-0422	1	Velocity Fuse, 4 GPM
29	BH-7798-47	6-1362	1	Hydraulic Valve Block
30	BH-7794-97	2-0961	1	Hydraulic Tube Assembly
31	BH-7798-48	6-1372	1	Branch "T" JIC All Ends
32	BH-7796-95	3-0428	1	Cylinder Barrel, L.H.
33	call	6-0631	1	Uni-Torque Locknut 7/8"-9
34	BH-7794-10	2-0521	1	Piston Spigot
35	BH-7790-09	0-0160	1	Piston Seal Kit, L.H.
36	BH-7794-64	2-0793	1	Piston Rod, L.H.
37	BH-7790-80	0-0206	1	Gland Seal Kit, L.H.
38	BH-7790-36	4-0289	1	Hydraulic Cylinder Assy., L.H.
39	BH-7794-82	2-0879	1	Hydraulic Tube Assembly
40	BH-7798-49	6-0340	2	Circlip
41	BH-7794-66	2-0802	1	Cylinder barrel, R.H.
42	F-LW-0312	6-0674	4	Lock Washer, 5/16"
43	F-HN-0312-18	6-0294	4	Hex Nut, 5/16"-18
44	F-MS-0250-20-0375	6-1353	7	Rnd. Hd. Bolt, 1/4"-20 x 3/8"
45	BH-7798-50	6-0170	7	Tube Clamp
46	BH-7794-86	2-0887	1	Hydraulic Tube Assembly
47	BH-7790-99	6-1389	1	Hydraulic Valve Blk. Assy (C/W Fittings)
51	BH-7798-51	6-0281	1	Adapter, 1/4" NPT, M-1/4" JIC M
53	BH-7798-52	6-0276	2	Adapter, 1/4" NPT, M-3/8" JIC M
--	BH-7790-87	0-0551	--	Cylinder Seal Gland - R.H. Side

Vector Model 11144



Item	SVI part #	OEM #	Req	Description
1	F-FW-0500-SAE	6-0248	20	Flat Washer, 1/2"
2	F-LW-0500	6-0059	12	Lock Washer 1/2"
3	F-HN-0500-13	6-0035	13	Hex Nut, 1/2"-13
4	call	6-1134	6	Self Tap. Screw, #12 x 1/2"
5	BH-7798-53	6-0267	8	Cotter Pin, 1/8" x 1"
6	BH-7805-102	6-0996	1	ALI/ETL Decal
7	BH-7805-103	6-1583	1	"Hydraulic Leveling" Decal
8	BH-7791-09	6-0206	2	Shoulder Bolt, 3/8" x 1"
9	BH-7792-53	1-0938	2	Safety Pin
10	BH-7791-78	1-0415	2	Safety Pulley
11	BH-7792-84	1-1115	2	Safety Spring
12	call	6-0808	8	Flat Washer, 51/64"x1"x1/16" Thk.
13	BH-7798-26	6-1135	1	Plastic Knob
14	BH-7796-99	3-0439	2	Safety Cover
15	BH-7792-83	1-1113	1	Safety Release Handle
16	BH-7794-88	2-0902	1	Safety Dog, L.H.
17	BH-7792-95	1-1291	1	Cable Connecting Bracket
18	F-HN-0750-10	6-0737	14	Hex Nut, 3/4"-10
19	F-FW-0750-USS	6-0738	14	Flat Washer, 3/4"
20	BH-7798-77	6-1379	14	Wedge Anchor, 3/4"-10 x 5-1/2"

Item	SVI part #	OEM #	Req	Description
21	F-HC-0250-20-1250	6-0027	4	Hex Bolt, 1/4"-20 x 1-1/4"
22	BH-7808-76	6-0626	4	Fender Flat Washer
23	BH-7792-54	1-0939	4	Plunger Spring
24	BH-7798-61	4-0337	1	Tower, L.H.
25	BH-7792-12	1-0745	4	Pivot Plunger
26	BH-7800-51	6-0000	4	Grease Fitting
27	F-RP-125-1000	6-0437	4	Roll Pin, 1/8" x 1"
28	BH-7793-87	2-0249	4	Restraint Gear
29	BH-7791-50	1-0208	4	Knob
30	BH-7792-90	1-1135	4	Thrd. Rod, 3/8"-16 x 1-1/2"
31	BH-7797-32	3-0571	1	Short Outer Arm Tube, R.H.
32	BH-7797-33	3-0572	1	Short Outer Arm Tube, L.H.
33	BH-7798-62	4-0456	1	Short Locking Arm Assembly, R.H.
34	BH-7798-63	4-0455	1	Short Locking Arm Assembly, L.H.
35	BH-7795-22	2-1085	2	Short Inner Arm
36	BH-7797-30	3-0569	1	Long Outer Arm Tube, R.H.
37	BH-7797-31	3-0570	1	Long Outer Arm Tube, L.H.
38	BH-7798-64	4-0454	1	Long Locking Arm Assy., R.H.
39	BH-7798-65	4-0453	1	Long Locking Arm Assy., L.H.
40	BH-7795-21	2-1082	2	Long Inner Arm

continues on next page

Page 16

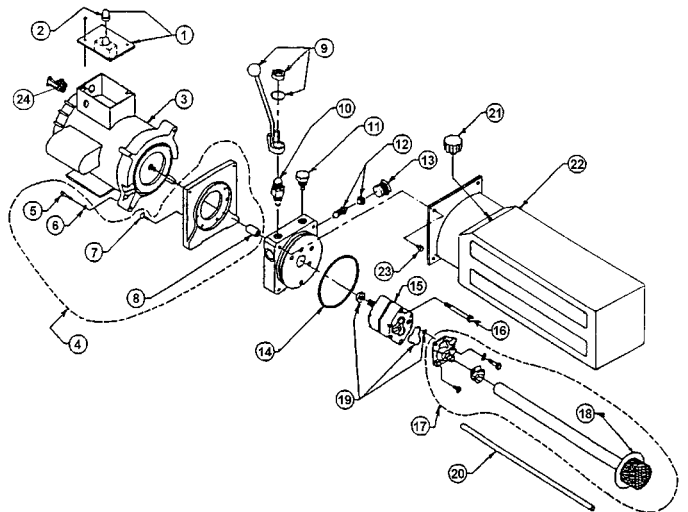
Vector Model 11144 (continued)

Item	SVI part #	OEM #	Req	Description
41	BH-7792-82P	1-1099	4	Center Pin
42	BH-7792-77	1-1091	4	Adapter Pin
43	BH-7797-37	3-0582	4	High Step Position Adapter
	BH-7798-19			Height Ext. Drop-On 6" w/Pad
44	BH-7797-38	3-0583	4	Low Position Adapter
45	BH-7791-59	1-0262	4	Arm Stop
46	F-HC-0250-28-0625	6-0339	8	Hex Bolt, 1/4"-28 UNF x 5/8"
47	F-LW-0250	6-0056	8	Lock Washer, 1/4"
48	BH-7794-89	2-0929	4	Arm Pin
49	F-HC-0312-18-0750	6-0423	4	Hex Bolt, 5/16"-18 x 3/4"
50	BH-7798-66	4-0340	1	Tower, R.H.
51	call	6-0069	2	Shoulder Bolt, 3/8" x 5/8"
52	BH-7790-78	0-0203	1	Safety Cover with Decals, R.H.
53	BH-7805-100	6-0594	1	"Safety Instructions" Decal
54	BH-7794-79	2-0872	1	Safety Dog, R.H.
55	BH-7792-86	1-1119	4	Carriage Stop
57	F-HN-0312-18	6-0294	2	Hex Nut, 5/16"-18
58	BH-7792-85	1-1116	2	Safety Cable Pulley
59	BH-7797-09	3-0488	1	Crossmember
60	BH-7792-96	1-1306	1	Safety Release Cable, 291-1/2"
61	F-HC-0500-13-1500	6-0291	4	Hex Bolt, 1/2"-13 x 1-1/2"
62	BH-7790-79	0-0204	1	Safety Cover with Decals, L.H.
63	BH-7805-96	6-0595	1	"Warning" Decal
64	BH-7805-97	6-0592	1	"Caution" Decal
65	BH-7805-98	6-0603	1	"Safety Release" Decal
67	BH-7791-70	1-0333	4	Pivot Pin

Item	SVI part #	OEM #	Req	Description
68	BH-7798-67	6-1172	1	Serial # Tag
69	BH-7798-68	4-0392	2	Carriage
70	BH-7790-19	2-0772	8	Slider Block
71	BH-7798-12	6-0295	2	Flat Washer, 5/16"
72	F-LW-0312	6-0296	2	Lock Washer, 5/16"
73	F-HC-0500-13-2250	6-0315	8	Hex Bolt, 1/2"-13 x 2-1/4"
74	BH-7793-06	1-1439	1	Actuator Bar
75	BH-7798-36	6-1404	1	Foam Guard
76	BH-7806-10	6-0169	2	Self Tap. Screw, #10 x 3/8"
77	BH-7798-37	6-1403	1	Electrical Utility Box
78	BH-7004-19	6-0916	1	Microswitch
79	BH-7792-99	1-1379	1	Actuator Extension
80	BH-7798-39	6-1133	1	Cable Connector
81	BH-7798-40	6-1173	1	Electrical Cable, 117" Long
82	F-HN-0250-20	6-0032	7	Hex Hd. Nut, 1/4" NC
83	F-HC-0250-20-0750	6-0178	3	Hex Hd. Bolt, 1/4" x 3/4"
84	F-LW-0250	6-0056	6	Lock Washer, 1/4"
85	BH-7798-74	6-1230	3	3/8" Clip
88	call	6-0438	4	Set Screw, 1/4" x 1/2"
90	call	6-0908	1	Shoulder Bolt, 3/8" x 1-1/4"
93	call	6-0185	1	Shoulder Bolt, 5/16" x 1/4"
95	BH-7792-98	1-1378	1	Actuator Mtg. Bracket
96	BH-7795-32	2-1143	1	Limit Switch Mtg. Bracket
97	call	6-0177	1	Hex Hd. Bolt 1/4" x 2"
98	call	6-1466	2	6/32" Screw (Electric Box)
99	call	6-0027	3	Hex Hd. Bolt 1/4" x 1-1/4"

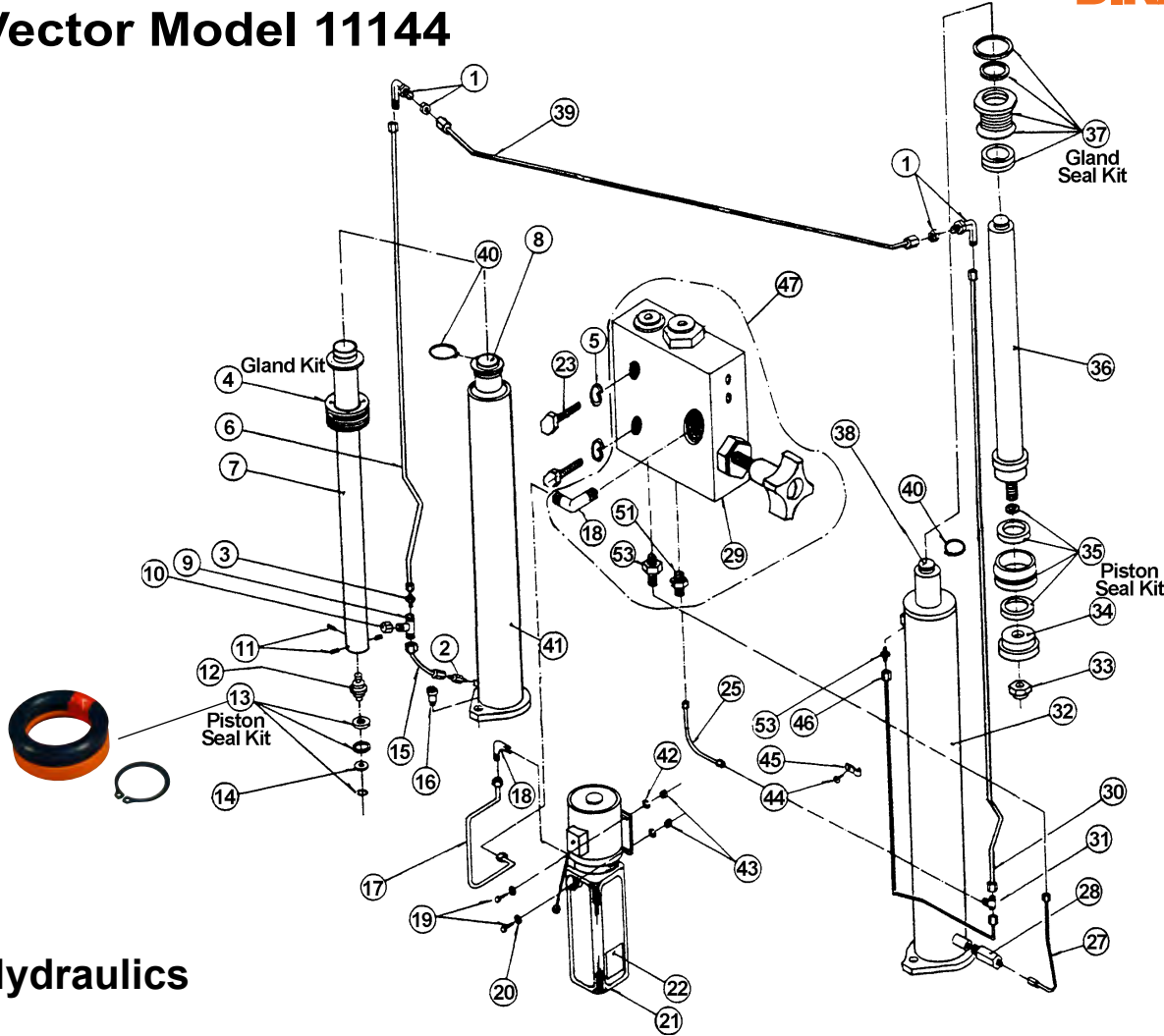
Vector Model 11144 - Power Pack

Item	SVI part #	OEM #	Req	Description
1	BH-7004-36	6-0881	1	Small Microswitch - New Style
2	BH-7803-68	6-1084	1	Microswitch Boot
3	BH-7802-53	6-0773	1	Motor 230 Vac. 1 PH. 60 Hz.
4	call	0-0197	1	Motor Adapter
5	F-SC-0250-20-0625	6-1085	4	Skt. Hd. Capscrew, 1/4"-20 x 5/8"
6	F-LW-0250	6-0056	4	Lock Washer, 1/4"
7	BH-7806-25	6-1086	4	Allen Hd. Flat Screw, 1/4" x 3/4"
8	BH-7802-54	6-0774	1	Coupling
9	BH-7802-56	6-0776	1	Release Bracket & Handle Assy.
10	BH-7802-92	6-0880	1	Valve Cartridge Release
11	BH-7803-69	6-1087	1	Valve Cartridge Check
12	BH-7804-07	6-1324	1	Fixed Relief Valve, RV24
13	BH-7803-71	6-1089	1	Relief Valve Cap
14	BH-7802-87	6-0875	1	Reservoir "O" Ring
15	BH-7802-60	6-0782	1	Pump Assembly
16	BH-7803-72	6-1090	2	Pump Mounting Bolt
17	BH-7790-76	0-0198	1	Inlet Plumbing Kit
18	BH-7802-64	6-0786	1	Inlet Hose/Filter Assembly
19	BH-7790-77	0-0199	1	Pump "O" Ring Kit
20	BH-7802-61	6-0783	1	Return Tube



Item	SVI part #	OEM #	Req	Description
21	BH-7007-92	6-1376	1	Breather-Filler Cap (Plastic)
22	BH-7804-17	6-1399	1	Reservoir (Plastic)
23	BH-7803-73	6-1091	4	Reservoir Screw
24	BH-7803-76	6-1133	1	Cable Connector, 3/8"

Vector Model 11144



BH-7790-80
(Ref 0-0206)
Gland Seal Kit
Left Side

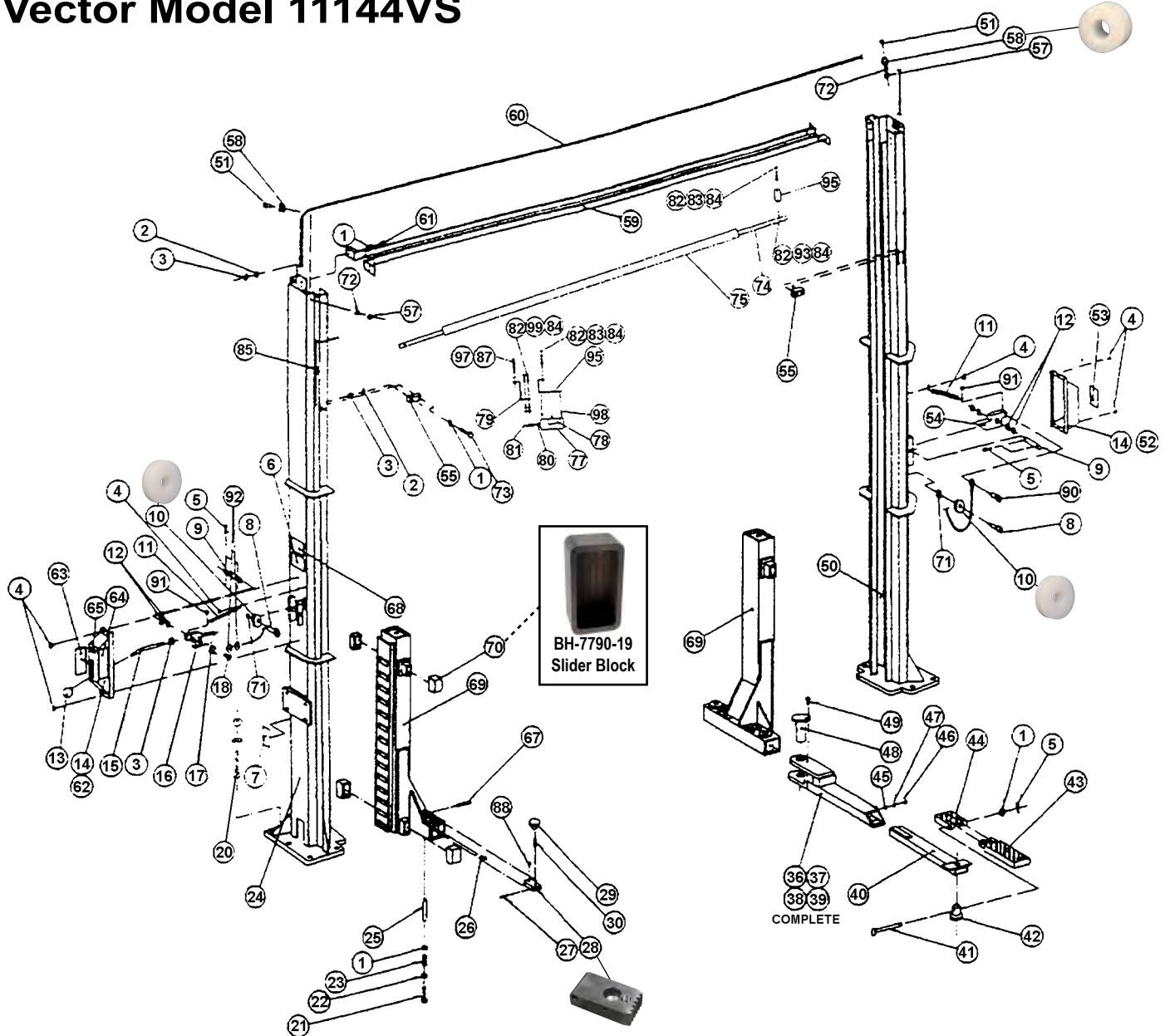
Hydraulics

Item	SVI part #	OEM #	Req	Description
1	BH-7798-41	6-0012	2	90° Blkhd. 3/8" JIC-3/8" JIC
2	BH-7798-42	6-0345	1	Adapter, 3/8" NPT-3/8" JIC x 2-1/4"
3	BH-7798-43	6-0286	1	Union, 3/8" JIC Male
4	BH-7790-81	0-0207	1	Gland Seal Kit, R.H.
5	F-LW-0250	6-0056	2	Lock Washer, 1/4"
6	BH-7794-96	2-0960	1	Hydraulic Tube Assembly
7	BH-7794-90	2-0903	1	Piston Tube, R.H.
8	BH-7797-08	3-0480	1	Hydraulic Cylinder Assembly, R.H.
9	BH-7798-75	6-0284	1	Tee, 3/8" Swivel Nut JIC Male
10	BH-7798-59	6-0021	1	Cap., 3/8" JIC
11	call	6-0580	3	Allen Hd. Setscrew, 1/4"-20 x 3/8"
12	BH-7794-34	2-0619	1	Piston
13	BH-7798-02	0-0159	1	Piston Seal Kit, R.H.
14	BH-7792-07	1-0725	1	Keeper Washer
15	BH-7791-24	1-0102	1	Hydraulic Tube Assembly
16	call	6-0425	2	Shoulder Bolt, 1/2" x 5/8"
17	BH-7795-31	2-1140	1	Hydraulic Tube Assembly
18	BH-7798-45	6-0804	2	90° 9/16" SAE M-3/8" JIC M
19	F-HC-0312-18-1000	6-0293	4	Hex Bolt, 5/16"-18 x 1"
20	F-FW-0312-USS	6-0061	8	Flat Washer, 5/16"
21	BH-7798-69	6-1176	1	Power Pack
22	BH-7805-101	6-1266	1	"Lift Operations" Decal
23	F-HC-0250-20-1750	6-0028	2	Hex Hd. Bolt, 1/4"-20 x 1-3/4"
25	BH-7792-97	1-1341	1	Hydraulic Hose Assembly

Item	SVI part #	OEM #	Req	Description
27	BH-7790-42	2-0886	1	Hydraulic Tube Assembly
28	BH-7790-43	6-0422	1	Velocity Fuse, 4 GPM
29	BH-7798-47	6-1362	1	Hydraulic Valve Block
30	BH-7794-97	2-0961	1	Hydraulic Tube Assembly
31	BH-7798-48	6-1372	1	Branch "T" JIC All Ends
32	BH-7796-95	3-0428	1	Cylinder Barrel, L.H.
33	call	6-0631	1	7/8"-9 Uni-Torque Locknut
34	BH-7794-10	2-0521	1	Piston Spigot
35	BH-7790-09	0-0160	1	Piston Seal Kit, L.H.
36	BH-7794-64	2-0793	1	Piston Rod, L.H.
37	BH-7790-80	0-0206	1	Gland Seal Kit, L.H.
38	BH-7790-36	4-0289	1	Hydraulic Cylinder Assembly, L.H.
39	BH-7794-95	2-0959	1	Hydraulic Tube Assembly
40	BH-7798-49	6-0340	2	Circlip
41	BH-7794-66	2-0802	1	Cylinder Barrel, R.H.
42	F-LW-0312	6-0674	4	Lock Washer, 5/16"
43	F-HN-0312-18	6-0294	4	Hex Nut, 5/16"-18
44	F-MS-0250-20-0375	6-1353	7	Rnd. Hd. Bolt, 1/4"-20 x 3/8"
45	BH-7798-50	6-0170	7	Tube Clamp
46	BH-7794-86	2-0887	1	Hydraulic Tube Assembly
47	BH-7790-99	6-1389	1	Hydraulic Valve Blk. Assy. (C/W Fittings)
51	BH-7798-51	6-0281	1	Adapter, 1/4" NPT.M-1/4" JIC Male
53	BH-7798-52	6-0276	2	Adapter, 1/4" NPT.M-3/8" JIC Male
--	BH-7790-87	0-0551	--	Cylinder Seal Gland - R.H. Side

Page 18

Vector Model 11144VS



Item	SVI part #	OEM #	Req	Description
1	F-FW-0500-SAE	6-0248	24	Flat Washer, 1/2"
2	F-LW-0500	6-0059	16	Lock Washer, 1/2"
3	F-HN-0500-13	6-0035	17	Hex Nut, 1/2"-13
4	call	6-1134	6	Self Tap. Screw, #12 x 1/2"
5	BH-7798-53	6-0267	8	Cotter Pin, 1/8" x 1"
6	BH-7805-102	6-0996	1	ALI/ETL Decal
7	BH-7805-103	6-1583	1	"Hydraulic Leveling" Decal
8	BH-7791-09	6-0206	2	Shoulder Bolt, 3/8" x 1"
9	BH-7792-53	1-0938	2	Safety Pin
10	BH-7791-78	1-0415	2	Safety Pulley
11	BH-7792-84	1-1115	2	Safety Spring
12	call	6-0808	8	Flat Washer, 51/64"
13	BH-7798-26	6-1135	1	Plastic Knob
14	BH-7796-99	3-0439	2	Safety Cover
15	BH-7792-83	1-1113	1	Safety Release Handle
16	BH-7794-88	2-0902	1	Safety Dog, L.H.
17	BH-7792-95	1-1291	1	Cable Connecting Bracket

Item	SVI part #	OEM #	Req	Description
18	BH-7798-76	6-0115	4	Cotter Pin, 1/8" x 2"
20	BH-7798-77	6-1379	10	Wedge Anchor, 3/4-10 x 5-1/2"
21	F-HC-0250-20-1250	6-0027	4	Hex Bolt, 1/4"-20 x 1-1/4"
22	BH-7808-76	6-0626	4	Fender Flat Washer
23	BH-7792-54	1-0939	4	Plunger Spring
24	BH-7798-78	4-0612	1	Tower, L.H.
25	BH-7792-12	1-0745	4	Pivot Plunger
26	BH-7800-51	6-0000	4	Grease Fitting
27	F-RP-125-1000	6-0437	4	Roll Pin, 1/8" x 1"
28	BH-7793-87	2-0249	4	Restraint Gear
29	BH-7791-50	1-0208	4	Knob
30	BH-7792-90	1-1135	4	Thrd. Rod, 3/8"-16 x 1-1/2"
36	BH-7797-46	3-0657	2	Long Outer Arm Tube, F.L., R.R.
37	BH-7797-45	3-0656	2	Long Outer Arm Tube, F.R., R.L.
38	BH-7798-80	4-0616	2	Long Locking Arm Assy., F.L., R.R.
39	BH-7798-81	4-0617	2	Long Locking Arm Assy., F.R., R.L.
40	BH-7795-49	2-1273	4	Long Inner Arm

continues on next page
LRC7790 - 2.22.21



DIRECTFIT™

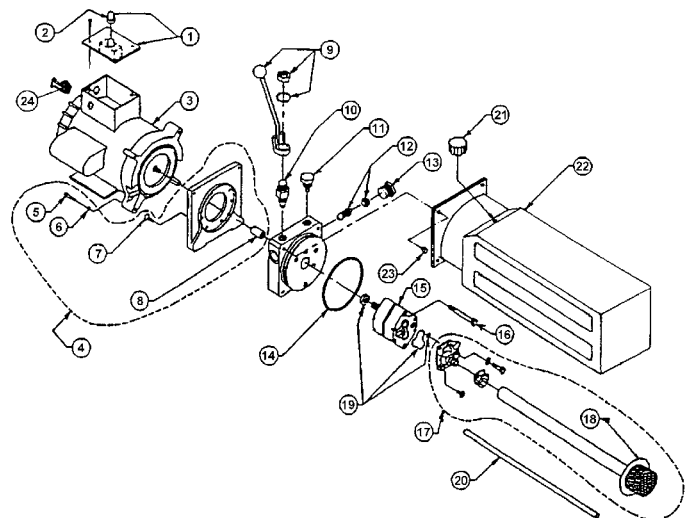
Vector Model 11144VS (continued)

Item	SVI part #	OEM #	Req	Description
41	BH-7792-82P	1-1099	4	Center Pin
42	BH-7792-77	1-1091	4	Adapter Pin
43	BH-7797-37	3-0582	4	High Step Position Adapter
	BH-7798-19			Height Ext. Drop-On 6" w/Pad
44	BH-7797-38	3-0583	4	Low Position Adapter
45	F-FW-0375-USS	6-0062	4	Flat Washer, 3/8"
46	F-HC-0375-16-0750	6-0030	4	Hex Bolt, 3/8"-16 x 3/4"
47	F-LW-0375	6-0058	4	Lock Washer, 3/8"
48	BH-7794-89	2-0929	4	Arm Pin
49	F-HC-0312-18-0750	6-0423	4	Hex Bolt, 5/16"-18 x 3/4"
50	BH-7798-82	4-0611	1	Tower, R.H.
51	call	6-0069	2	Shoulder Bolt, 3/8" x 5/8"
52	BH-7790-78	0-0203	1	Safety Cover with Decals, R.H.
53	BH-7805-100	6-0594	1	"Safety Instructions" Decal
54	BH-7794-79	2-0872	1	Safety Dog, Slave Side
55	BH-7792-86	1-1119	4	Carriage Stop
57	F-HN-0312-18	6-0294	2	Hex Nut, 5/16"-18
58	BH-7792-85	1-1116	2	Safety Cable Pulley
59	BH-7795-52	2-1281	1	Crossmember
60	BH-7798-04	1-1551	1	Safety Release Cable, 293-1/2"
61	F-HC-0500-13-1250	6-0046	8	Hex Bolt, 1/2"-13 x 1-1/4"
62	BH-7790-79	0-0204	1	Safety Cover with Decals, Power Side
63	BH-7805-96	6-0595	1	"Warning" Decal
64	BH-7805-97	6-0592	1	"Caution" Decal
65	BH-7805-98	6-0603	1	"Safety Release" Decal
67	BH-7791-70	1-0333	4	Pivot Pin
68	BH-7798-67	6-1172	1	Serial # Tag

Item	SVI part #	OEM #	Req	Description
69	BH-7798-83	4-0613	1	Carriage
70	BH-7790-19	2-0772	8	Glide Bearing
71	BH-7798-12	6-0295	2	Flat Washer, 5/16"
72	F-LW-0312	6-0296	2	Lock Washer, 5/16"
73	F-HC-0500-13-2250	6-0315	8	Hex Bolt, 1/2"-13 x 2-1/4"
74	BH-7793-06	1-1439	1	Actuator Bar
75	BH-7798-36	6-1404	1	Foam Guard
77	BH-7798-37	6-1403	1	Electrical Utility Box
78	BH-7004-19	6-0916	1	Microswitch
79	BH-7792-99	1-1379	1	Actuator Extension
80	BH-7798-39	6-1133	1	Cable Connector
81	BH-7798-40	6-1173	1	Electrical Cable, 117" Long
82	F-HN-0250-20	6-0032	7	Hex Hd. Nut 1/4" NC
83	F-HC-0250-20-0750	6-0178	3	Hex Hd. Bolt 1/4" NC x 3/4"
84	F-LW-0250	6-0056	6	Lock Washer 1/4"
85	BH-7798-74	6-1230	3	Electrical Cable Clip, 3/8"
88	F-SS-0250-20-0500	6-0438	4	Set Screw, 1/4"-20 x 1/2"
90	call	6-0908	1	Shoulder Bolt, 3/8" x 1-1/4"
91	BH-7806-10	6-0169	2	Self-Tap. Screw, #10 x 3/8"
92	F-HN-0250-20	6-0032	2	Hex Nut, 1/4" NC
93	call	6-0205	1	Hex Hd. Bolt, 1/4" NC x 1-1/2"
95	BH-7792-98	1-1378	1	Actuator Mtg. Bracket
96	BH-7795-32	2-1143	1	Limit Switch Mtg. Bracket
97	F-HC-0250-20-2000	6-0741	1	Hex Hd. Bolt 1/4"-20 x 2"
98	call	6-1466	2	6/32" Screw (Electric Box)
99	call	6-0027	2	Hex Hd. Bolt, 1/4" NC x 1-1/4"

Vector Model 11144VS - Power Pack

Item	SVI part #	OEM #	Req	Description
1	BH-7004-36	6-0881	1	Small Microswitch - New Style
2	BH-7803-68	6-1084	1	Microswitch Boot
3	BH-7802-53	6-0773	1	Motor 230 Vac. 1 PH. 60 Hz.
4	BH-7805-14	0-0197	1	Motor Adapter
5	call	6-1085	4	Socket Hd. Capscrew, 1/4" x 5/8"
6	F-LW-0250	6-0056	4	Lock Washer, 1/4"
7	BH-7806-25	6-1086	4	Allen Hd. Flat Screw, 1/4" x 3/4"
8	BH-7802-54	6-0774	1	Coupling
9	BH-7802-56	6-0776	1	Release Bracket & Handle Assembly
10	BH-7802-92	6-0880	1	Valve Cartridge Release
11	BH-7803-69	6-1087	1	Valve Cartridge Check
12	BH-7804-07	6-1324	1	Fixed Relief Valve (RV 24)
13	BH-7803-71	6-1089	1	Relief Valve Cap
14	BH-7802-87	6-0875	1	Reservoir "O" Ring
15	BH-7802-60	6-0782	1	Pump Assembly
16	BH-7803-72	6-1090	2	Pump Mounting Bolt
17	BH-7790-76	0-0198	1	Inlet Plumbing Kit
18	BH-7802-64	6-0786	1	Inlet Hose/Filter Assembly
19	BH-7790-77	0-0199	1	Pump "O" Ring Kit
20	BH-7802-61	6-0783	1	Return Tube



Item	SVI part #	OEM #	Req	Description
21	BH-7007-92	6-1376	1	Breather-Filler Cap (Plastic)
22	BH-7804-17	6-1399	1	Reservoir (Plastic)
23	BH-7803-73	6-1091	4	Reservoir Screw
24	BH-7803-76	6-1133	1	Cable Connector, 3/8"

Page

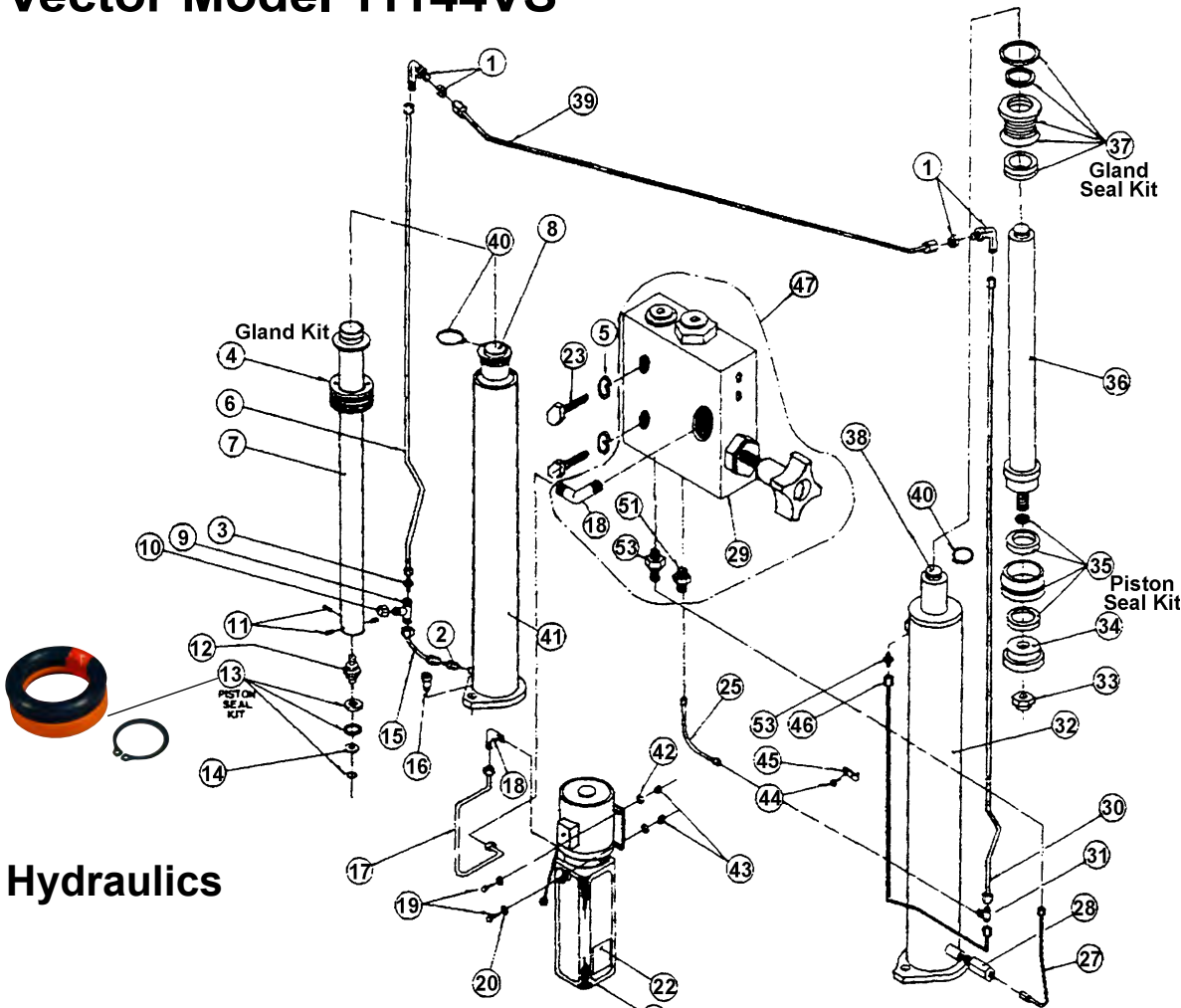


DIRECTFIT™

Vector Model 11144VS



BH-7790-80
(Ref 0-0206)
Gland Seal Kit
Left Side

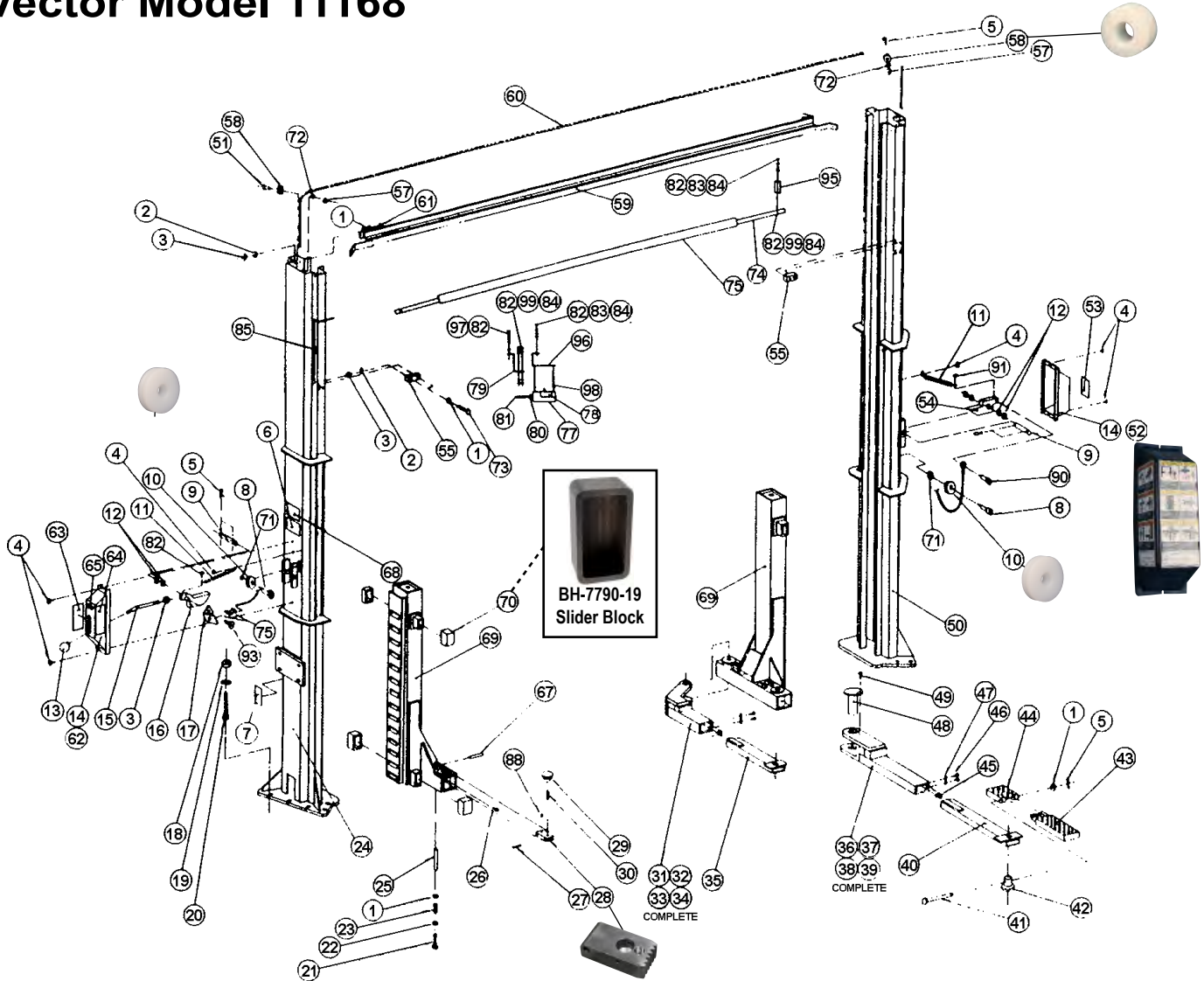


Hydraulics

Item	SVI part #	OEM #	Req	Description
1	BH-7798-41	6-0012	2	Blkhd., 90° 3/8" JIC-3/8" JIC
2	BH-7798-42	6-0345	1	Adapter, 3/8" NPT-3/8" JIC x 2-1/4"
3	BH-7798-43	6-0286	1	Union, 3/8" JIC Male
4	BH-7790-81	0-0207	1	Gland Seal Kit, R.H.
5	F-LW-0250	6-0056	2	Lock Washer, 1/4"
6	BH-7794-96	2-0960	1	Hydraulic Tube Assembly
7	BH-7794-90	2-0930	1	Piston Tube, R.H.
8	BH-7797-08	3-0480	1	Hydraulic Cylinder Assembly, R.H.
9	BH-7798-75	6-0284	1	Tee, 3/8" Swivel Nut JIC Male
10	BH-7798-59	6-0021	1	Cap. 3/8" JIC
11	call	6-0580	3	Allen Hd. Setscrew, 1/4"-20 x 3/8"
12	BH-7794-34	2-0619	1	Piston
13	BH-7798-02	0-0159	1	Piston Seal Kit, R.H.
14	BH-7792-07	1-0725	1	Keeper Washer
15	BH-7791-24	1-0102	1	Hydraulic Tube Assembly
16	call	6-0425	2	Shoulder Bolt, 1/2" x 5/8"
17	BH-7795-31	2-1140	1	Hydraulic Tube Assembly
18	BH-7798-45	6-0804	2	Elbow 90°, 9/16" SAE M-3/8" JIC M
19	F-HC-0312-18-1000	6-0293	4	Hex Bolt, 5/16"-18 x 1"
20	F-FW-0312-USS	6-0061	8	Flat Washer, 5/16"
21	BH-7798-69	6-1176	1	Power Pack
22	BH-7805-101	6-1266	1	"Lift Operations" Decal
23	F-HC-0250-20-1750	6-0028	2	Hex Hd. Bolt, 1/4"-20 x 1-3/4"
25	BH-7792-97	1-1341	1	Hydraulic Hose Assembly

Item	SVI part #	OEM #	Req	Description
27	BH-7790-42	2-0886	1	Hydraulic Tube Assembly
28	BH-7790-43	6-0422	1	Velocity Fuse, 4 GPM
29	BH-7798-47	6-1362	1	Hydraulic Valve Block
30	BH-7794-97	2-0961	1	Hydraulic Tube Assembly
31	BH-7798-48	6-1372	1	Branch "T" JIC All Ends
32	BH-7796-95	3-0428	1	Cylinder Barrel, L.H.
33	call	6-0631	1	Uni-Torque Lock Nut, 7/8"-9
34	BH-7794-10	2-0521	1	Piston Spigot
35	BH-7790-09	0-0160	1	Piston Seal Kit, L.H.
36	BH-7794-64	2-0793	1	Piston Rod, L.H.
37	BH-7790-80	0-0206	1	Gland Seal Kit, L.H.
38	BH-7790-36	4-0289	1	Hydraulic Cyl. Assembly, L.H.
39	BH-7795-53	2-1286	1	Hydraulic Tube Assembly
40	BH-7798-49	6-0340	2	Circlip
41	BH-7794-66	2-0802	1	Cylinder Barrel, R.H.
42	F-LW-0312	6-0674	4	Lock Washer, 5/16"
43	F-HN-0312-18	6-0294	4	Hex Nut, 5/16"-18
44	F-MS-0250-20-0375	6-1353	7	Rnd. Hd. Bolt, 1/4"-20 x 3/8"
45	BH-7798-50	6-0170	7	Tube Clamp
46	BH-7794-86	2-0887	1	Hydraulic Tube Assembly
47	BH-7790-99	6-1389	1	Hydraulic Valve Blk. Assy., (C/W Fittings)
51	BH-7798-51	6-0281	1	Adapter, 1/4" NPT, M-1/4" JIC Male
53	BH-7798-52	6-0276	2	Adapter, 1/4" NPT, M-3/8" JIC Male

Vector Model 11168



Item	SVI part #	OEM #	Req	Description
1	F-FW-0500-SAE	6-0248	20	Flat Washer, 1/2"
2	F-LW-0500	6-0059	12	Lock Washer, 1/2"
3	F-HN-0500-13	6-0035	13	Hex Nut, 1/2"-13
4	call	6-1134	6	Self Tap. Screw, #12 x 1/2"
5	BH-7798-53	6-0267	8	Cotter Pin, 1/8" x 1"
6	BH-7805-102	6-0996	1	ALI/ETL Decal
7	BH-7805-103	6-1583	1	"Hydraulic Leveling" Decal
8	BH-7791-09	6-0206	2	Shoulder Bolt, 3/8" x 1"
9	BH-7792-53	1-0938	2	Safety Pin
10	BH-7791-78	1-0415	2	Safety Pulley
11	BH-7792-84	1-1115	2	Safety Spring
12	call	6-0808	8	Flat Washer, 51/64" x 1" x 1/16" Thk.
13	BH-7798-26	6-1135	1	Plastic Knob
14	BH-7796-99	3-0439	2	Safety Cover
15	BH-7792-83	1-1113	1	Safety Release Handle
16	BH-7794-88	2-0902	1	Safety Dog, L.H.
17	BH-7792-95	1-1291	1	Cable Connecting Bracket
18	F-HN-0750-10	6-0737	14	Hex Nut, 3/4"-10
19	F-FW-0750-USS	6-0738	14	Flat Washer, 3/4"
20	BH-7798-77	6-1379	14	Wedge Anchor, 3/4"-10 x 5-1/2"

Item	SVI part #	OEM #	Req	Description
21	F-HC-0250-20-1250	6-0027	4	Hex Bolt, 1/4"-20 x 1-1/4"
22	BH-7808-76	6-0626	4	Fender Flat Washer
23	BH-7792-54	1-0939	4	Plunger Spring
24	BH-7798-70	4-0413	1	Tower, L.H.
25	BH-7792-12	1-0745	4	Pivot Plunger
26	BH-7800-51	6-0000	4	Grease Fitting
27	F-RP-125-1000	6-0437	4	Roll Pin, 1/8" x 1"
28	BH-7793-87	2-0249	4	Restraint Gear
29	BH-7791-50	1-0208	4	Knob
30	BH-7792-90	1-1135	4	Thrd. Rod, 3/8" 16 x 1-1/2"
31	BH-7797-32	3-0571	1	Short Outer Arm Tube, R.H.
32	BH-7797-33	3-0572	1	Short Outer Arm Tube, L.H.
33	BH-7798-62	4-0456	1	Short Locking Arm Assembly, R.H.
34	BH-7798-63	4-0455	1	Short Locking Arm Assembly, L.H.
35	BH-7795-22	2-1085	2	Short Inner Arm
36	BH-7797-30	3-0569	1	Long Outer Arm Tube, R.H.
37	BH-7797-31	3-0570	1	Long Outer Arm Tube, L.H.
38	BH-7798-64	4-0454	1	Long Locking Arm Assembly, R.H.
39	BH-7798-65	4-0453	1	Long Locking Arm Assembly, L.H.
40	BH-7795-21	2-1082	2	Long Inner Arm



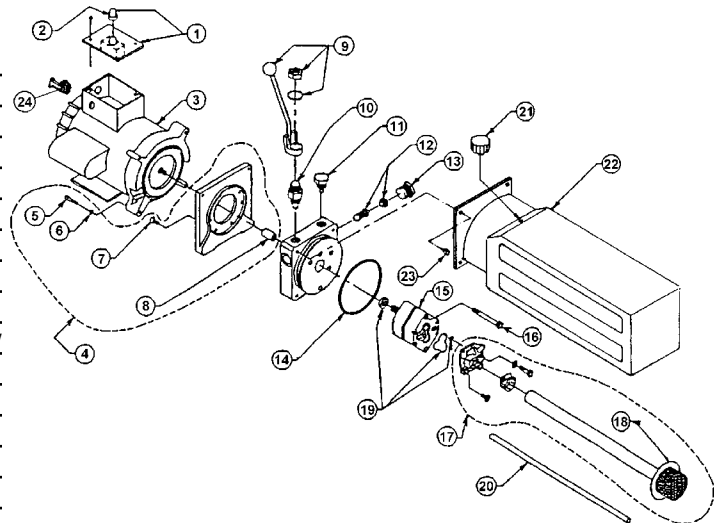
Vector Model 11168 (continued)

Item	SVI part #	OEM #	Req	Description
41	BH-7792-82P	1-1099	4	Center Pin
42	BH-7792-77	1-1091	4	Adapter Pin
43	BH-7797-37	3-0582	4	High Step Postion Adapter
	BH-7798-19			Height Ext. Drop-On 6" w/Pad
44	BH-7797-38	3-0583	4	Low Position Adapter
45	BH-7791-59	1-0262	4	Arm Stop
46	F-HC-0250-28-0625	6-0339	8	Hex Bolt, 1/4"-28 UNF x 5/8"
47	F-LW-0250	6-0056	8	Lock Washer, 1/4"
48	BH-7794-89	2-0929	4	Arm Pin
49	F-HC-0312-18-0750	6-0423	4	Hex Bolt, 5/16"-18 x 3/4"
50	BH-7798-71	4-0414	1	Tower, R.H.
51	call	6-0069	2	Shoulder Bolt, 3/8" x 5/8"
52	BH-7790-78	0-0203	1	Safety Cover with Decals, R.H.
53	BH-7805-100	6-0594	1	"Safety Instructions" Decal
54	BH-7794-79	2-0872	1	Safety Dog, R.H.
55	BH-7792-86	1-1119	4	Carriage Stop
57	F-0312-18	6-0294	2	Hex Nut, 5/16"-18
58	BH-7792-85	1-1116	2	Safety Cable Pulley
59	BH-7797-09	3-0488	1	Crossmember
60	BH-7798-72	1-1372	1	Safety Release Cable
61	F-HC-0500-13-1500	6-0291	4	Hex Bolt, 1/2"-13 x 1-1/2"
62	BH-7790-79	0-0204	1	Safety Cover with Decals, L.H.
63	BH-7805-96	6-0595	1	"Warning" Decal
64	BH-7805-97	6-0592	1	"Caution" Decal
65	BH-7805-98	6-0603	1	"Safety Release" Decal
67	BH-7791-70	1-0333	4	Pivot Pin

Item	SVI part #	OEM #	Req	Description
68	BH-7798-67	6-1172	1	Serial # Tag 69
	BH-7798-68	4-0392	2	Carriage
70	BH-7790-19	2-0772	8	Glide Bearing
71	BH-7798-12	6-0295	2	Flat Washer, 5/16"
72	F-LW-0312	6-0296	2	Lock Washer, 5/16"
73	F-HC-0500-13-2250	6-0315	8	Hex Bolt, 1/2"-13 x 2-1/4"
74	BH-7793-06	1-1439	1	Actuator Bar
75	BH-7798-36	6-1404	1	Foam Guard
76	BH-7806-10	6-0169	2	Self Tap. Screw, #10 x 3/8"
77	BH-7798-37	6-1403	1	Electrical Utility Box
78	BH-7004-19	6-0916	1	Microswitch
79	BH-7792-99	1-1379	1	Actuator Extension
80	BH-7798-39	6-1133	1	Cable Connector
81	BH-7798-73	6-1359	1	Elec. Cable, 16/3 x 141"
82	F-HN-0250-20	6-0032	7	Hex Hd. Nut 1/4" NC
83	F-HC-0250-20-0750	6-0178	3	Hex Hd. Bolt 1/4" NC x 3/4"
84	F-LW-0250	6-0056	6	Lock Washer 1/4"
85	BH-7798-74	6-1230	3	3/8" Clip
88	F-SS-0250-20-0500	6-0438	4	Set Screw, 1/4"-20 x 1/2"
90	call	6-0908	1	Shoulder Bolt, 3/8" x 1-1/4"
93	call	6-0185	1	Shoulder Bolt, 5/16" 1/4"
95	BH-7792-98	1-1378	1	Actuator Mtg. Bracket
96	BH-7795-32	2-1143	1	Limit Switch Mtg. Bracket
97	call	6-0177	1	Hex Hd. Bolt, 1/4" NC x 2"
98	call	6-1466	2	6/32" Screw (Electric Box)
99	call	6-0027	3	Hex Hd. Bolt, 1/4" NC x 1-1/4"

Vector Model 11168 - Power Pack

Item	SVI part #	OEM #	Req	Description
1	BH-7004-36	6-0881	1	Small Microswitch - New Style
2	BH-7803-68	6-1084	1	Microswitch Boot
3	BH-7802-53	6-0773	1	Motor 230 Vac. 1 PH. 60 Hz.
4	BH-7805-14	0-0197	1	Motor Adapter
5	call	6-1085	4	Skt. Hd. Capscrew 1/4" x 5/8"
6	F-LW-0250	6-0056	4	Lock Washer, 1/4"
7	BH-7806-25	6-1086	4	Allen Hd. Flat Screw 1/4" x 3/4"
8	BH-7802-54	6-0774	1	Coupling
9	BH-7802-56	6-0776	1	Release Bracket & Handle Assembly
10	BH-7802-92	6-0880	1	Valve Cartridge Release
11	BH-7803-69	6-1087	1	Valve Cartridge Check
12	BH-7804-07	6-1324	1	Fixed Relief Valve (RV24)
13	BH-7803-71	6-1089	1	Relief Valve Cap
14	BH-7802-87	6-0875	1	Reservoir "O" Ring
15	BH-7802-60	6-0782	1	Pump Assembly
16	BH-7803-72	6-1090	2	Pump Mounting Bolt
17	BH-7790-76	0-0198	1	Inlet Plumbing Kit
18	BH-7802-64	6-0786	1	Inlet Hose/Filter Assembly
19	BH-7790-77	0-0199	1	Pump "O" Ring Kit
20	BH-7802-61	6-0783	1	Return Tube



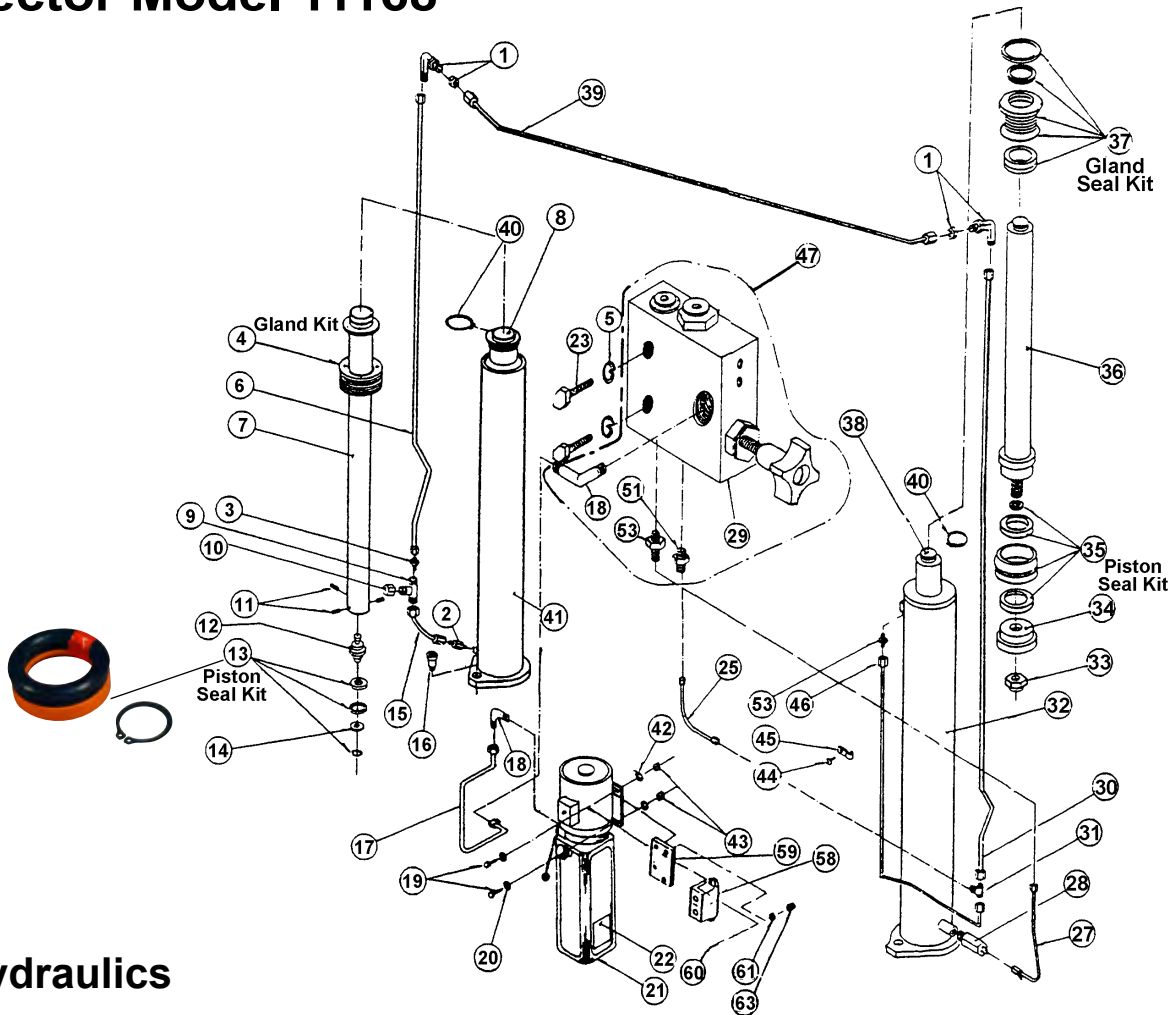
Item	SVI part #	OEM #	Req	Description
21	BH-7007-92	6-1376	1	Breather-Filler Cap (Plastic)
22	BH-7804-17	6-1399	1	Reservoir (Plastic)
23	BH-7803-73	6-1091	4	Reservoir Screw
24	BH-7803-76	6-1133	1	Cable Connector, 3/8"

P
a
g
e

Vector Model 11168



BH-7790-80
(Ref 0-0206)
Gland Seal Kit
Left Side

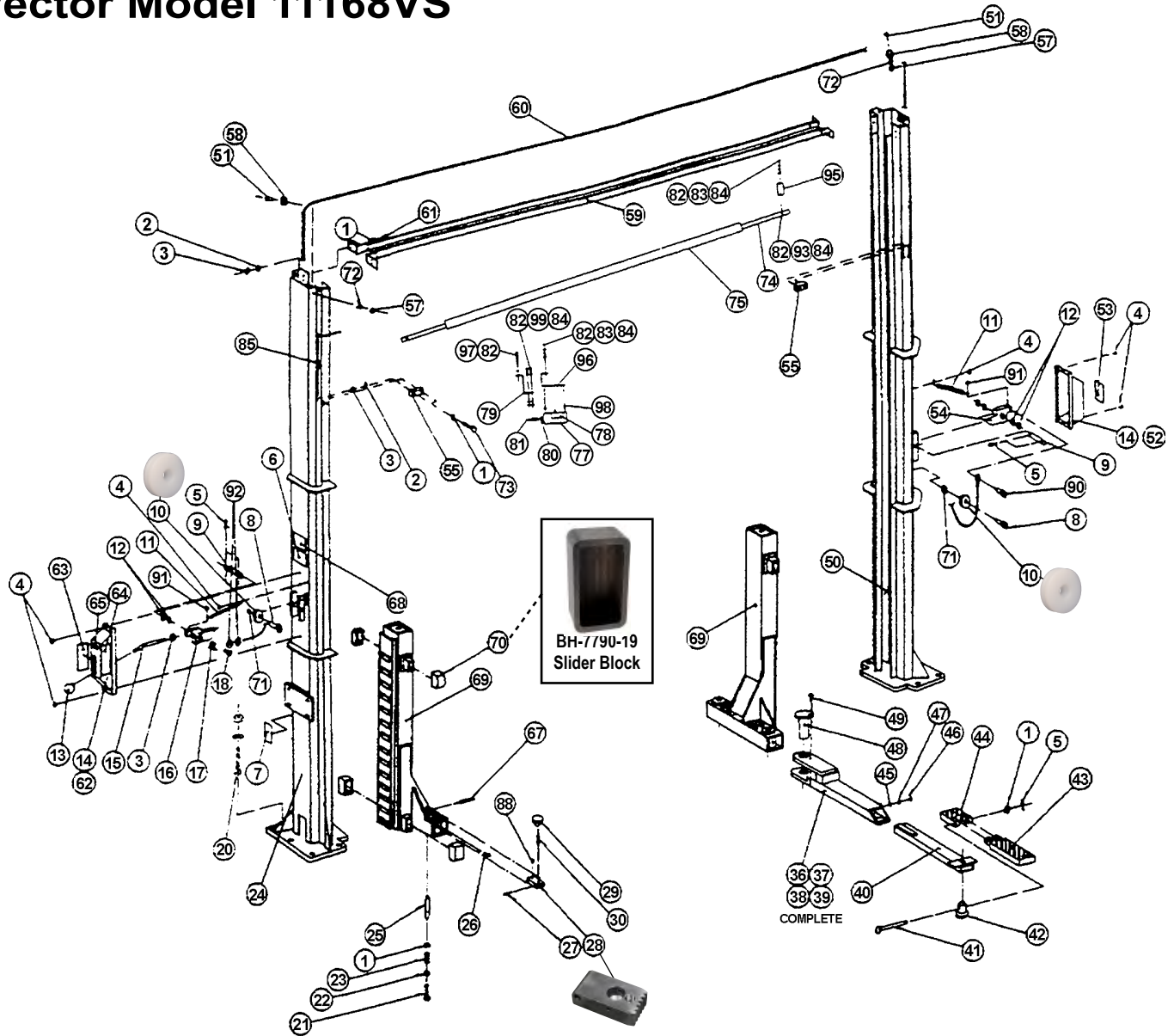


Hydraulics

Item	SVI part #	OEM #	Req	Description
1	BH-7798-41	6-0012	2	90° Blkhd. 3/8" JIC-3/8" JIC
2	BH-7798-42	6-0345	1	Adapter, 3/8" NPT-3/8" JIC x 2-1/4"
3	BH-7798-43	6-0286	1	Union, 3/8" JIC Male
4	BH-7790-81	0-0207	1	Gland Seal Kit, R.H.
5	F-LW-0250	6-0056	2	Lock Washer, 1/4"
6	BH-7795-20	2-1065	1	Hydraulic Tube Assembly
7	BH-7794-90	2-0930	1	Piston Tube, R.H.
8	BH-7797-08	3-0480	1	Hydraulic Cyl. Assembly, R.H.
9	BH-7798-75	6-0284	1	Tee, 3/8" Swivel Nut JIC Male
10	BH-7798-59	6-0021	1	Cap. 3/8" JIC
11	call	6-0580	3	Allen Hd. Setscrew, 1/4"-20 x 3/8"
12	BH-7794-34	2-0619	1	Piston
13	BH-7798-02	0-0159	1	Piston Seal Kit, R.H.
14	BH-7792-07	1-0725	1	Keeper Washer
15	BH-7791-24	1-0102	1	Hydraulic Tube Assembly
16	call	6-0425	2	Shoulder Bolt, 1/2" x 5/8"
17	BH-7795-31	2-1140	1	Hydraulic Tube Assembly
18	BH-7798-45	6-0804	2	90°, 9/16" SAE M-3/8" JIC M
19	F-HC-0312-18-1000	6-0293	4	Hex Bolt, 5/16"-18 x 1"
20	F-FW-0312-USS	6-0061	8	Flat Washer, 5/16"
21	BH-7798-69	6-1176	1	Power Pack
22	BH-7805-101	6-1266	1	"Lift Operations" Decal
23	F-HC-0250-20-1750	6-0028	2	Hex Hd. Bolt, 1/4" 20 x 1-3/4"
25	BH-7792-97	1-1341	1	Hydraulic Hose Assembly

Item	SVI part #	OEM #	Req	Description
27	BH-7790-42	2-0886	1	Hydraulic Tube Assembly
28	BH-7790-43	6-0422	1	Velocity Fuse, 4 GPM
29	BH-7798-47	6-1362	1	Hydraulic Valve Block
30	BH-7795-19	2-1064	1	Hydraulic Tube Assembly
31	BH-7798-48	6-1372	1	Branch "T" JIC All Ends
32	BH-7796-95	3-0428	1	Cylinder Barrel, L.H.
33	call	6-0631	1	Uni-Torque Locknut, 7/8"-9
34	BH-7794-10	2-0521	1	Piston Spigot
35	BH-7790-09	0-0160	1	Piston Seal Kit, L.H.
36	BH-7794-64	2-0793	1	Piston Rod, L.H.
37	BH-7790-80	0-0206	1	Gland Seal Kit, L.H.
38	BH-7790-36	4-0289	1	Hydraulic Cyl. Assembly, L.H.
39	BH-7794-95	2-0959	1	Hydraulic Tube Assembly
40	BH-7798-49	6-0340	2	Circlip
41	BH-7794-66	2-0802	1	Cylinder Barrel, R.H.
42	F-LW-0312	6-0674	4	Lock Washer, 5/16"
43	F-HN-0312-18	6-0294	4	Hex Nut, 5/16"-18
44	F-MS-0250-20-0375	6-1353	7	Rnd. Hd. Bolt, 1/4"-20 x 3/8"
45	BH-7798-50	6-0170	7	Tube Clamp
46	BH-7794-86	2-0887	1	Hydraulic Tube Assembly
47	BH-7790-99	6-1389	1	Hydraulic Valve Blk. Assy. (C/W Fittings)
51	BH-7795-51	6-0281	1	Adapter, 1/4" NPT. M-1/4" JIC M
53	BH-7798-52	6-0276	2	Adapter, 1/4" NPT. M-3/8" JIC M

Vector Model 11168VS



Item	SVI part #	OEM #	Req	Description
1	F-FW-0500-SAE	6-0248	24	Flat Washer, 1/2"
2	F-LW-0500	6-0059	16	Lock Washer, 1/2"
3	F-HN-0500-13	6-0035	17	Hex Nut, 1/2"-13
4	call	6-1134	6	Self Tap. Screw, #12 x 1/2"
5	BH-7798-53	6-0267	8	Cotter Pin, 1/8" x 1"
6	BH-7805-102	6-0996	1	ALI/ETL Decal
7	BH-7805-103	6-1583	1	"Hydraulic Leveling" Decal
8	BH-7791-09	6-0206	2	Shoulder Bolt, 3/8" x 1"
9	BH-7792-53	1-0938	2	Safety Pin
10	BH-7791-78	1-0415	2	Safety Pulley
11	BH-7792-84	1-1115	2	Safety Spring
12	call	6-0808	8	Flat Washer, 5/16" x 1" x 1/16" Thk.
13	BH-7798-26	6-1135	1	Plastic Knob
14	BH-7796-99	3-0439	2	Safety Cover
15	BH-7792-83	1-1113	1	Safety Release Handle
16	BH-7794-88	2-0902	1	Safety Dog, Power Side
17	BH-7792-95	1-1291	1	Cable Connecting Bracket

Item	SVI part #	OEM #	Req	Description
18	BH-7798-76	6-0115	4	Cotter Pin, 1/8" x 2"
20	BH-7798-77	6-1379	10	Wedge Anchor, 3/4"-10 x 5-1/2"
21	F-HC-0250-20-1250	6-0027	4	Hex Bolt, 1/4"-20 x 1-1/4"
22	BH-7808-76	6-0626	4	Fender Flat Washer
23	BH-7792-54	1-0939	4	Plunger Spring
24	BH-7800-13	4-0621	1	Tower, L.H.
25	BH-7792-12	1-0745	4	Pivot Plunger
26	BH-7800-51	6-0000	4	Grease Fitting
27	F-RP-125-1000	6-0437	4	Roll Pin, 1/8" x 1"
28	BH-7793-87	2-0249	4	Restraint Gear
29	BH-7791-50	1-0208	4	Knob
30	BH-7792-90	1-1135	4	Thrd. Rod, 3/8"-16 x 1-1/2"
36	BH-7797-46	3-0657	2	Long Outer Arm Tube, F.L., R.R.
37	BH-7797-45	3-0656	2	Long Outer Arm Tube, F.R., R.L.
38	BH-7798-80	4-0616	2	Long Locking Arm Assy., F.L., R.R.
39	BH-7798-81	4-0617	2	Long Locking Arm Assy., F.R., R.L.
40	BH-7795-49	2-1273	4	Long Inner Arm

continues on next page 25

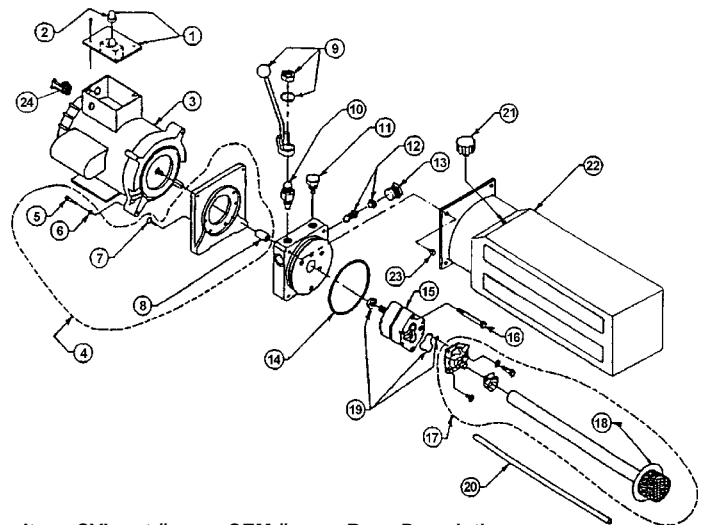
Vector Model 11168VS (continued)

Item	SVI part #	OEM #	Req	Description
41	BH-7792-82P	1-1099	4	Center Pin
42	BH-7792-77	1-1091	4	Adapter Pin
43	BH-7797-37	3-0582	4	High Step Position Adapter
	BH-7798-19			Height Ext. Drop-On 6" w/Pad
44	BH-7797-38	3-0583	4	Low Position Adapter
45	F-FW-0375-USS	6-0062	4	Flat Washer, 3/8"
46	F-HC-0375-16-0750	6-0030	4	Hex Bolt, 3/8"-16 x 3/4"
47	F-LW-0375	6-0058	4	Lock Washer 3/8"
48	BH-7794-89	2-0929	4	Arm Pin
49	F-HC-0312-18-0750	6-0423	4	Hex Bolt, 5/16"-18 x 3/4"
50	BH-7800-12	4-0620	1	Tower, R.H.
51	call	6-0069	2	Shoulder Bolt, 3/8" x 5/8"
52	BH-7790-78	0-0203	1	Safety Cover w/Decals, R.H.
53	BH-7805-100	6-0594	1	"Safety Instructions" Decal
54	BH-7794-79	2-0872	1	Safety Dog, Slave Side
55	BH-7792-86	1-1119	4	Carriage Stop
57	F-HN-0312-18	6-0294	2	Hex Nut, 5/16"-18
58	BH-7792-85	1-1116	2	Safety Cable Pulley
59	BH-7795-52	2-1281	1	Crossmember
60	BH-7793-18	1-1647	1	Safety Release Cable, 341-1/2"
61	F-HC-0500-13-1250	6-0046	8	Hex Bolt, 1/2"-13 x 1-1/4"
62	BH-7790-79	0-0204	1	Safety Cover w/Decals, Power Side
63	BH-7805-96	6-0595	1	"Warning" Decal
64	BH-7805-97	6-0592	1	"Caution" Decal
65	BH-7805-98	6-0603	1	"Safety Release" Decal
67	BH-7791-70	1-0333	4	Pivot Pin
68	BH-7798-67	6-1172	1	Serial #Tag

Item	SVI part #	OEM #	Req	Description
69	BH-7798-83	4-0613	1	Carriage
70	BH-7790-19	2-0772	8	Glide Bearing
71	BH-7798-12	6-0295	2	Flat Washer, 5/16"
72	F-LW-0312	6-0296	2	Lock Washer, 5/16"
73	F-HC-0500-13-2250	6-0315	8	Hex Bolt, 1/2"-13 x 2-1/4"
74	BH-7793-06	1-1439	1	Actuator Bar
75	BH-7798-36	6-1404	1	Foam Guard
77	BH-7798-37	6-1403	1	Electrical Utility Box
78	BH-7004-19	6-0916	1	Microswitch
79	BH-7792-99	1-1379	1	Actuator Extension
80	BH-7798-39	6-1133	1	Cable Connector
81	BH-7804-31	6-1513	1	Eq. Cable, 16/3 x 141"
82	F-HN-0250-20	6-0032	7	Hex Hd. Nut, 1/4" NC
83	F-HC-0250-20-0750	6-0178	3	Hex Hd. Bolt, 1/4" NC x 3/4"
84	F-LW-0250	6-0056	6	Lock Washer, 1/4"
85	BH-7798-74	6-1230	3	Electrical Cable Clip, 3/8"
88	F-SS-0250-20-0500	6-0438	4	Set Screw, 1/4"-20 x 1/2"
90	call	6-0908	1	Shoulder Bolt, 3/8" x 1-1/4"
91	BH-7806-10	6-0169	2	Self-Tap. Screw #10 x 3/8"
92	F-HN-0250-20	6-0032	2	Hex Nut, 1/4" NC
93	call	6-0205	1	Hex Hd. Bolt, 1/4" NC x 1-1/8"
95	BH-7792-98	1-1378	1	Actuator Mtg. Bracket
96	BH-7795-32	2-1143	1	Limit Switch Mtg. Bracket
97	F-HC-0250-20-2000	6-0741	1	Hex Hd. Bolt, 1/4"-20 x 2"
98	call	6-1466	2	6/32" Screw (Electrical Box)
99	call	6-0027	2	Hex Hd. Bolt, 1/4" x 1-1/4"

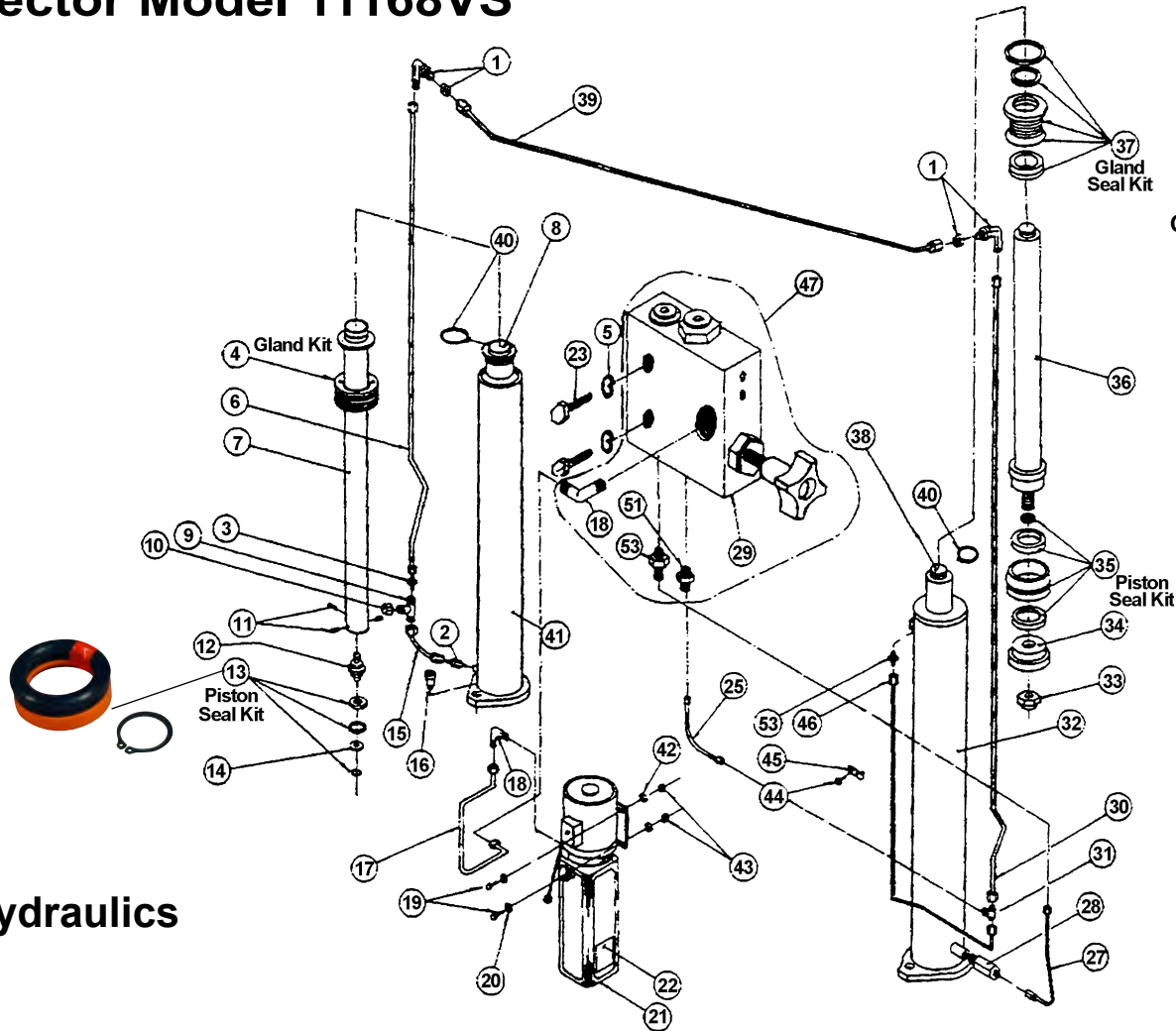
Vector Model 11168VS - Power Pack

Item	SVI part #	OEM #	Req	Description
1	BH-7004-36	6-0881	1	Small Microswitch - New Style
2	BH-7803-68	6-1084	1	Microswitch Boot
3	BH-7802-53	6-0773	1	Motor 230 Vac. 1 PH. 60 Hz.
4	BH-7805-14	0-0197	1	Motor Adapter
5	call	6-1085	4	Skt. Hd. Capscrew 1/4" x 5/8"
6	F-LW-0250	6-0056	4	Lock Washer 1/4"
7	BH-7806-25	6-1086	4	Allen Head Flat Screw 1/4" x 3/4"
8	BH-7802-54	6-0774	1	Coupling
9	BH-7802-56	6-0776	1	Release Bracket & Handle Assembly
10	BH-7802-92	6-0880	1	Valve Cartridge Release
11	BH-7803-69	6-1087	1	Valve Cartridge Check
12	BH-7804-07	6-1324	1	Fixed Relief Valve (RV24)
13	BH-7803-71	6-1089	1	Relief Valve Cap
14	BH-7802-87	6-0875	1	Reservoir "O" Ring
15	BH-7802-60	6-0782	1	Pump Assembly
16	BH-7803-72	6-1090	2	Pump Mounting Bolt
17	BH-7790-76	0-0198	1	Inlet Plumbing Kit
18	BH-7802-64	6-0786	1	Inlet Hose/Filter Assembly
19	BH-7790-77	0-0199	1	Pump "O" Ring Kit
20	BH-7802-61	6-0783	1	Return Tube



Item	SVI part #	OEM #	Req	Description
21	BH-7007-92	6-1376	1	Breather-Filler Cap (Plastic)
22	BH-7804-17	6-1399	1	Reservoir (Plastic)
23	BH-7803-73	6-1091	4	Reservoir Screw
24	BH-7803-76	6-1133	1	Cable Connector 3/8"

Vector Model 11168VS



BH-7790-80
(Ref 0-0206)
Gland Seal Kit
Left Side

Hydraulics

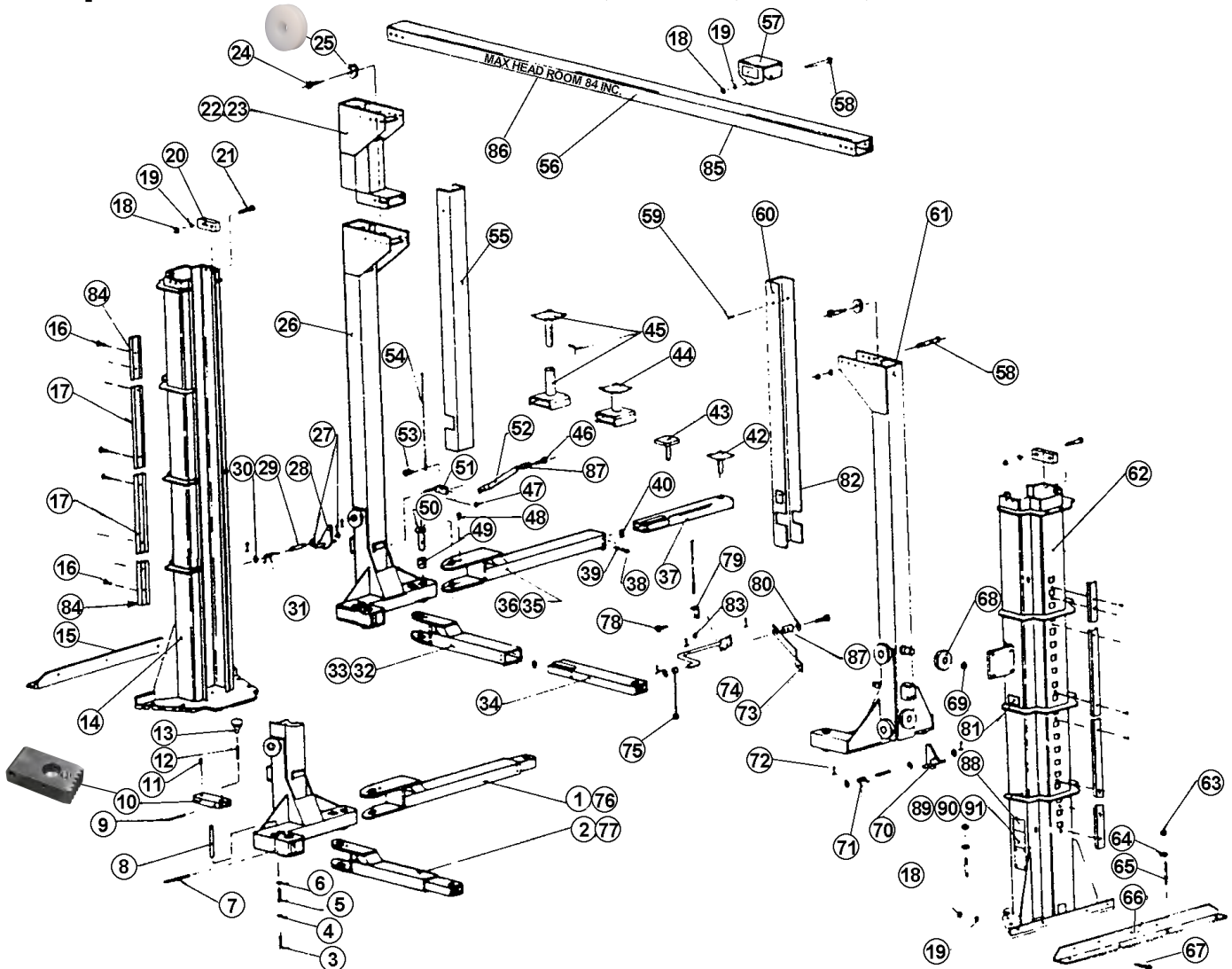
Item	SVI part #	OEM #	Req	Description
1	BH-7798-41	6-0012	2	90° Blk Hd., 3/8" JIC-3/8" JIC
2	BH-7798-42	6-0345	1	Adapter, 3/8" NPT-3/8" JIC x 2-1/4"
3	BH-7798-43	6-0286	1	Union, 3/8" JIC Male
4	BH-7790-81	0-0207	1	Gland Seal Kit, R.H.
5	F-LW-0250	6-0056	2	Lock Washer, 1/4"
6	BH-7795-20	2-1065	1	Hydraulic Tube Assembly
7	BH-7794-90	2-0930	1	Piston Tube, R.H.
8	BH-7797-08	3-0480	1	Hydraulic Cylinder Assembly, R.H.
9	BH-7798-75	6-0284	1	Tee, 3/8" Swivel Nut JIC Male
10	BH-7798-59	6-0021	1	Cap. 3/8" JIC
11	call	6-0580	3	Allen Hd. Setscrew, 1/4"-20 x 3/8"
12	BH-7794-34	2-0619	1	Piston
13	BH-7798-02	0-0159	1	Piston Seal Kit, R.H.
14	BH-7792-07	1-0725	1	Keeper Washer
15	BH-7791-24	1-0102	1	Hydraulic Tube Assembly
16	call	6-0425	2	Shoulder Bolt, 1/2" x 5/8"
17	BH-7795-31	2-1140	1	Hydraulic Tube Assembly
18	BH-7798-45	6-0804	2	90° 9/16" SAE M-3/8" JIC M
19	F-HC-0312-18-1000	6-0293	4	Hex Bolt, 5/16"-18 x 1"
20	F-FW-0312-USS	6-0061	8	Flat Washer, 5/16"
21	BH-7798-69	6-1176	1	Power Pack
22	BH-7805-101	6-1266	1	"Lift Operations" Decal
23	F-HC-0250-20-1750	6-0028	2	Hex Hd. Bolt 1/4" 20 x 1-3/4"
25	BH-7792-97	1-1341	1	Hydraulic Hose Assembly

Item	SVI part #	OEM #	Req	Description
27	BH-7790-42	2-0886	1	Hydraulic Tube Assembly
28	BH-7790-43	6-0422	1	Velocity Fuse, 4 GPM
29	BH-7798-47	6-1362	1	Hydraulic Valve Block
30	BH-7795-19	2-1064	1	Hydraulic Tube Assembly
31	BH-7798-48	6-1372	1	Branch "T" JIC All Ends
32	BH-7796-95	3-0428	1	Cylinder Barrel, L.H.
33	call	6-0631	1	Uni-Torque Lock Nut 7/8"-9
34	BH-7794-10	2-0521	1	Piston Spigot
35	BH-7790-09	0-0160	1	Piston Seal Kit, L.H.
36	BH-7794-64	2-0793	1	Piston Rod, L.H.
37	BH-7790-80	0-0206	1	Gland Seal Kit, L.H.
38	BH-7790-36	4-0289	1	Hydraulic Cylinder Assembly, L.H.
39	BH-7795-53	2-1286	1	Hydraulic Tube Assembly
40	BH-7798-49	6-0340	2	Circlip
41	BH-7794-66	2-0802	1	Cylinder Barrel, R.H.
42	F-LW-0312	6-0674	4	Lock Washer, 5/16"
43	F-HN-0312-18	6-0294	4	Hex Nut, 5/16"-18
44	F-MS-0250-20-0375	6-1353	7	Rnd. Hd. Bolt, 1/4"-20 x 3/8"
45	BH-7798-50	6-0170	7	Tube Clamp
46	BH-7794-86	2-0887	1	Hydraulic Tube Assembly
47	BH-7790-99	6-1389	1	Hydraulic Valve Blk Assy. (C/W Fittings)
51	BH-7798-51	6-0281	1	Adapter 1/4" NPT, M-1/4" JIC M
53	BH-7798-52	6-0276	2	Adapter, 1/4" NPT, M-3/8" JIC M



DIRECTFIT™

Snap-On Model EELR 302A, 8020, 8021, and 9021



Item	SVI part #	OEM #	Req	Description
1	BH-7805-09	4-0600	1	Long Locking Arm Assembly, R.H.
2	BH-7805-10	4-0602	1	Short Locking Arm Assembly, R.H.
3	F-HC-0250-20-1250	6-0027	4	Hex Hd. Bolt, 1/4"-20 x 1-1/4"
4	BH-7808-76	6-0626	4	Fender Flat Washer
5	BH-7791-69	1-0332	4	Plunger Spring
6	F-FW-0375-USS	6-0062	4	Flat Washer, 3/8"
7	BH-7791-70	1-0333	4	Pivot Pin
8	BH-7792-12	1-0745	4	Plunger
9	F-RP-125-1000	6-0437	4	Roll Pin, 1/8" x 1"
10	BH-7793-87	2-0249	4	Restraint Gear
11	call	6-0438	4	Skt. Hd. Set Screw, 1/4"-20 x 1/2"
12	BH-7791-76	1-0387	4	Thrd. Rod, 3/8"-16 x 1-1/2"
13	BH-7791-50	1-0208	4	Knob
14	BH-7799-81	4-0394	1	R.H. Tower
15	BH-7796-27	3-0097	1	R.H. Tower Support Angle
16	BH-7798-10	6-0335	16	Rd. Hd. Screw, 1/4"-20 x 5/8"
17	BH-7795-09	2-1031	4	Tower Safety Cover
18	F-HN-0500-13	6-0035	23	Hex Nut, 1/2"-13
19	F-LW-0500	6-0059	23	Lock Washer, 1/2"
20	BH-7792-48	1-0877	4	Carriage Stop

Item	SVI part #	OEM #	Req	Description
21	F-HC-0500-13-2000	6-0769	8	Hex Hd. Bolt, 1/2"-13 x 2"
22	BH-7796-69	3-0310	2	Extension Welding, 24" Opt.
23	BH-7796-55	3-0226	2	Extension Welding, 18" Opt.
24	call	6-0069	2	Shoulder Bolt, 3/8" x 5/8"
25	BH-7791-78	1-0415	2	Safety Cable Pulley
26	BH-7799-37	4-0175	1	Carriage, R.H.
27	call	6-0387	4	Thrust Washer, 1/2" x .03"
	call	6-0419	2	Thrust Washer, 1/2" x .06"
28	BH-7794-12	2-0523	1	Safety Dog, R.H.
29	BH-7791-57	1-0260	2	Pivot Shaft, L.H.
30	F-FW-0500-USS	6-0063	3	Flat Washer, 1/2"
31	BH-7791-55	1-0249	1	Safety Spring, R.H.
32	BH-7797-40	3-0607	1	Short Outer Arm Tube, L.H.
33	BH-7797-39	3-0606	1	Short Outer Arm Tube, R.H.
34	BH-7793-81	2-0192	2	Short Inner Locking Arm
35	BH-7797-42	3-0609	1	Long Outer Arm, L.H.
36	BH-7797-41	3-0608	1	Long Outer Arm, R.H.
37	BH-7793-80	2-0191	2	Long Inner Arm
38	F-HC-0250-28-0625	6-0339	8	Hex Hd. Bolt, 1/4"-28 x 5/8"
39	F-LW-0250	6-0056	8	Lock Washer, 1/4"



DIRECTFIT™

Snap-On Model EELR 302A, 8020, 8021, and 9021

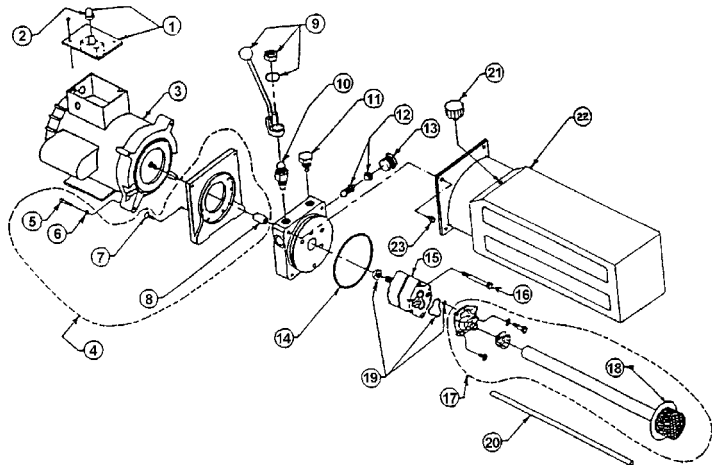
(continued)

Item	SVI part #	OEM #	Req	Description
40	BH-7791-60	1-0263	4	Arm Stop, Side
42	BH-7793-94	2-0304	4	Std. Low Lifting Pad (Opt.)
43	BH-7790-45	3-0170	4	Low Lifting Pad, Neoprene
44	BH-7796-48	3-0194	4	Lift Pad
45	BH-7796-50	3-0218	2	Adjustable Truck Pad (Opt.)
46	call	6-0909	2	But.Hd.HexSock.Screw, 1/4"-20x 1-1/2"
47	BH-7798-17	6-0362	2	Retaining Ring
48	call	6-0423	4	Hex Hd. Bolt, 5/16" x 3/4"
49	BH-7798-09	6-0551	8	Self-Lub. Bearing
50	BH-7796-06	2-0439	4	Arm Pin
51	BH-7791-68	1-0326	1	Pivot Shaft
52	BH-7796-31	3-0108	1	Safety Linkage Bar, R.H.
53	BH-7798-15	6-0244	1	Shoulder Bolt, 1/4" x 3/8"
54	BH-7791-54	1-0239	1	Cable Assembly
	BH-7792-10	1-0736	1	Safety Cable (Ext. 24")
	BH-7792-11	1-0737	1	Safety Cable (Ext. 18")
55	BH-7796-40	3-0126	1	Carriage Cover, R.H.
56	BH-7796-25	3-0093	1	Crossmember
57	BH-7796-32	3-0109	1	Motor Lift Bracket
58	F-HC-0500-13-5500	6-0290	7	Hex Hd. Bolt, 1/2"-13 x 5-1/2"
59	BH-7798-11	6-0297	4	Self-Tap. Screw No. 10 x 3/4"
60	BH-7796-39	3-0125	1	Carriage Cover, L.H.
61	BH-7799-36	4-0174	1	Carriage, L.H.
62	BH-7799-82	4-0395	1	Tower, L.H.
63	F-HN-0750-10	6-0737	16	Hex Nut, 3/4"-10
64	F-FW-0750-USS	6-0738	16	Flat Washer 3/4"
65	BH-7798-77	6-1379	16	Wedge Anchor, 3/4"-10 x 5-1/2"

Item	SVI part #	OEM #	Req	Description
66	BH-7796-26	3-0096	1	Tower Support Angle, L.H.
67	F-HC-0500-13-0750	6-0047	8	Hex Hd. Bolt, 1/2"-13 x 3/4"
68	BH-7794-13	2-0530	12	Carriage Wheel Assembly
69	BH-7801-20	6-0233	12	Retaining Ring, 1-3/8"
70	BH-7794-11	2-0522	1	Safety Dog, L.H.
71	BH-7791-72	1-0369	1	Safety Spring, L.H.
72	BH-7798-53	6-0267	7	Cotter Pin, 1/8" x 1"
73	BH-7796-30	3-0107	1	Safety Linkage Bar, L.H.
74	BH-7796-41	3-0137	1	Safety Release Arm
75	BH-7793-93	2-0293	1	Safety Release Handle
76	BH-7805-11	4-0599	1	Long Locking Arm Assembly, L.H.
77	BH-7805-12	4-0601	1	Short Locking Arm Assembly, L.H.
78	BH-7798-14	6-0240	1	Shoulder Bolt, 1/4" x 3/4"
79	BH-7805-13	1-0259	1	Cable Connecting Bracket
80	call	6-0060	1	Flat Washer, 1/4" x 3/4"
81	BH-7805-104	6-0398	1	"ALI" Plate
82	BH-7805-98	6-0349	1	"Safety Release" Decal
83	F-HN-0250-20	6-0032	2	Hex Nut, 1/4"-20
84	BH-7795-10	2-0132	4	Tower Safety Cover
85	BH-7805-105	6-0352	1	"Max Cap. 1000 lb." Decal
86	BH-7805-95	6-0353	1	"Max Head Rm. 84 Inc." Decal
87	BH-7791-67	1-0307	2	Spacer
88	BH-7805-102	6-0996	1	ETL Certification Decal
89	BH-7805-106	6-0997	1	ETL "Caution" Decal
90	BH-7805-107	6-0998	1	ETL 2-Post WL Serial
91	call	6-1100	4	Rivet, 3/16 x 0.086"

Snap-On Model EELR 302A, 8020, 8021, 9021 - Power Pack

Item	SVI part #	OEM #	Req	Description
1	BH-7004-36	6-0881	1	Small Microswitch - New Style
2	BH-7803-68	6-1084	1	Microswitch Boot
3	BH-7802-53	6-0773	1	Motor 230 Vac. 1 PH. 60 Hz.
4	BH-7805-14	0-0197	1	Motor Adapter Kit
5	F-SC-0250-20-0625	6-1085	4	Skt., Hd. Capscrew 1/4"-20 x 5/8"
6	F-LW-0250	6-0056	4	Lock Washer, 1/4"
7	BH-7806-25	6-1086	4	Allen Hd. Flat Screw, 1/4"-20 x 3/4"
8	BH-7802-54	6-0774	1	Coupling
9	BH-7802-56	6-0776	1	Release Bracket & Handle Assembly
10	BH-7802-92	6-0880	1	Valve Cartridge Release
11	BH-7803-69	6-1087	1	Valve Cartridge Check
12	BH-7804-05	6-1319	1	Fixed Relief Valve (RV19)
13	BH-7803-71	6-1089	1	Relief Valve Cap
14	BH-7802-87	6-0875	1	Reservoir "O" Ring
15	BH-7802-60	6-0782	1	Pump Assembly
16	BH-7803-72	6-1090	2	Pump Mounting Bolt
17	BH-7790-76	0-0198	1	Inlet Plumbing Kit
18	BH-7802-64	6-0786	1	Inlet Hose/Filter Assembly
19	BH-7790-77	0-0199	1	Pump "O" Ring Kit



Item	SVI part #	OEM #	Req	Description
20	BH-7802-61	6-0783	1	Return Tube
21	BH-7007-92	6-1376	1	Breather-Filler Cap (Plastic)
22	BH-7804-17	6-1399	1	Reservoir (Plastic)
23	BH-7803-73	6-1091	4	Reservoir Screw

P
a
g
e

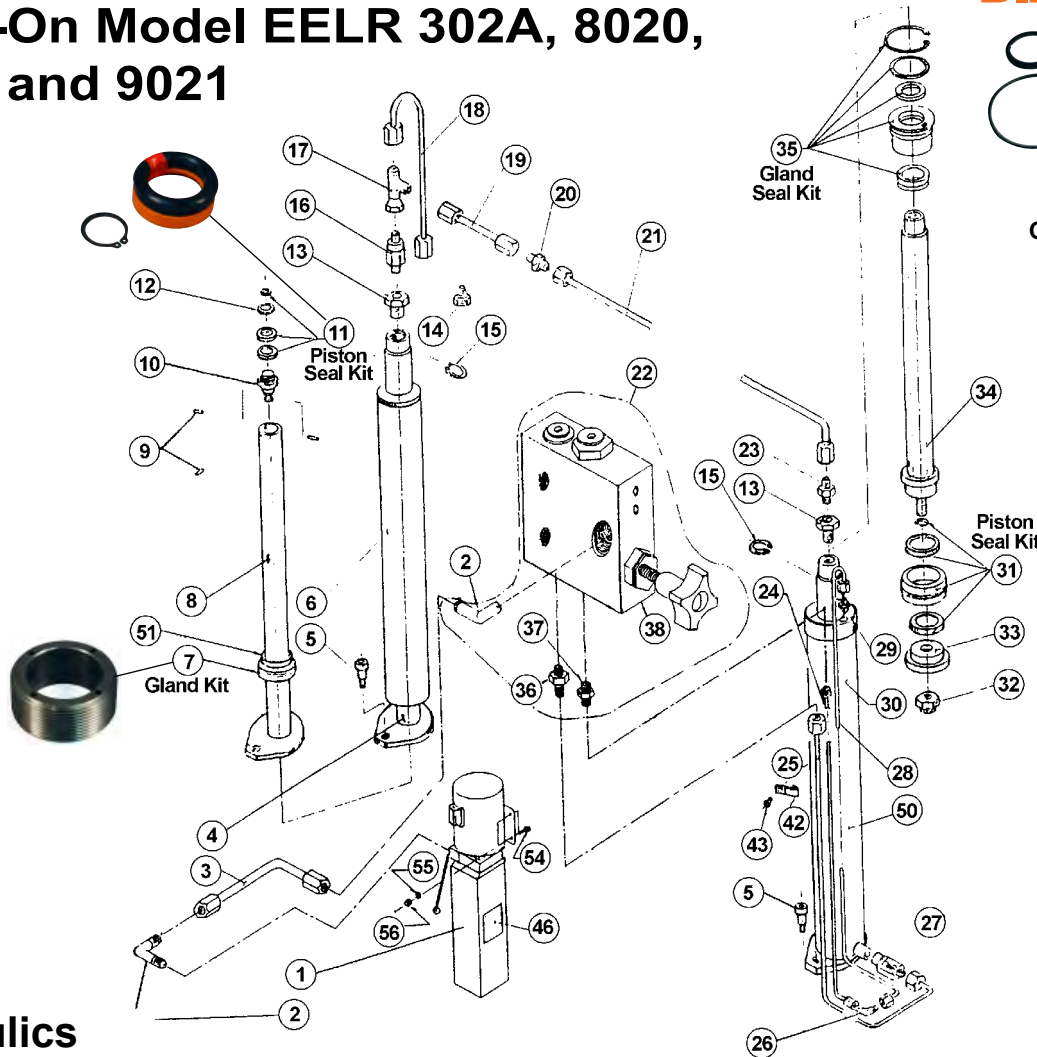


Snap-On Model EELR 302A, 8020, 8021, and 9021

DIRECTFIT™



BH-7790-08
(Ref 0-0161)
Gland Seal Kit

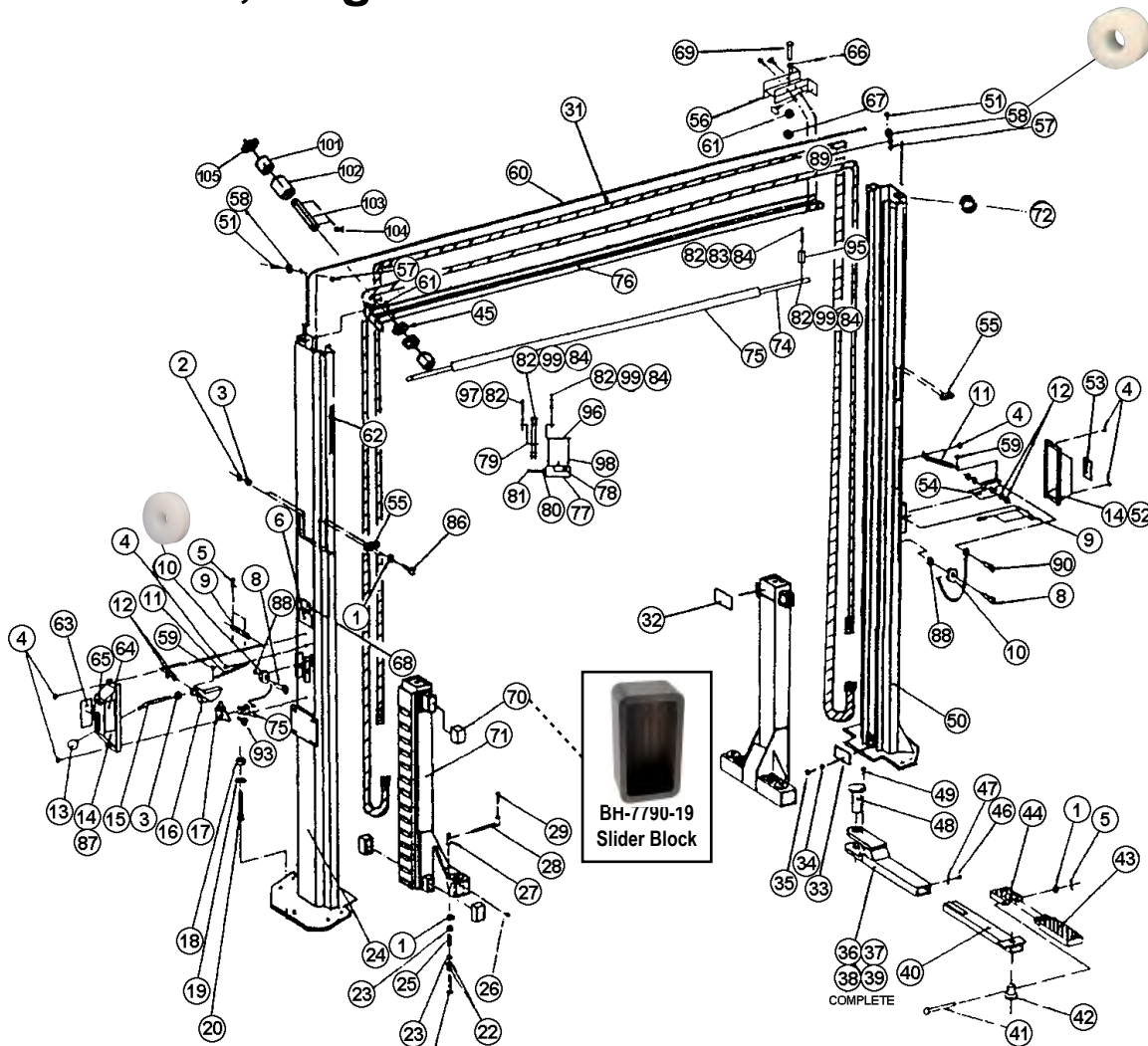


Hydraulics

Item	SVI part #	OEM #	Req	Description
1	BH-7805-15	6-1310	1	Power Pack
2	BH-7798-45	6-0804	2	90° SAE M-3/8" JIC M
3	BH-7792-57	1-0942	1	Tube Assembly to Power Pack
4	BH-7799-35	4-0171	1	Hydraulic Cylinder Assembly
5	call	6-0425	2	Shoulder Screw, 1/2" x 5/8"
6	BH-7796-76	3-0328	1	Cylinder Barrel
7	BH-7790-65	0-0162	1	P.S. Gland Kit
8	BH-7796-77	3-0329	1	Piston Tube Welding
9	call	6-0580	3	Allen Hd. Setscrew, 1/4" x 3/8"
10	BH-7794-08	2-0511	1	Piston 2" Bore
11	BH-7798-02	0-0159	1	Piston Seal Kit, P.S.
12	BH-7792-07	1-0725	1	Keeper Washer
13	BH-7801-32	6-0285	2	Adapter 3/8" M. NPT x 3/8" F. NPT
14	BH-7801-39	6-0371	1	Plug, 3/8" JIC
15	BH-7798-49	6-0340	2	Circlip
16	BH-7798-42	6-0345	1	Adapter, 3/8" JIC, M x 3/8" NPT M-2-1/4"
17	BH-7798-75	6-0284	1	Tee 3/8" JIC F. Swivel 3/8" JIC, M 3/8" JIC M
18	BH-7791-17	1-0093	1	Tube Assembly
19	BH-7796-34	3-0112	1	Cross Tube Extension
20	BH-7801-22	6-0268	1	Union 3/8" JIC, M x 3/8" JIC, M
21	BH-7796-35	3-0113	1	Cross Tube
22	BH-7790-99	6-1389	1	Hyd. Valve Blk. Assy. (C/W Fittings)
23	BH-7800-59	6-0011	1	Adapter 3/8" NPT M x 3/8" JIC, M

Item	SVI part #	OEM #	Req	Description
24	BH-7796-33	3-0110	1	Hydraulic Tube Assembly
25	BH-7796-36	3-0114	1	Hydraulic Tube Assembly
26	BH-7801-28	6-0278	1	90° 1/4" JIC, M x 1/4" JIC, M
27	BH-7794-63	2-0767	1	Velocity Fuse
28	BH-7796-56	3-0229	1	Hydraulic Tube Assembly
29	BH-7801-30	6-0280	1	Adapter 1/8" NPT, M x 1/4" JIC, M
30	BH-7796-79	3-0335	1	Cylinder Barrel Welding
31	BH-7790-09	0-0160	1	Piston Seal Kit, L.H.
32	F-NL-0875-9	6-0586	1	Nylon Insert Lock Nut, 7/8"-9
33	BH-7794-10	2-0521	1	Piston Spigot
34	BH-7796-78	3-0334	1	Piston Rod
35	BH-7790-08	0-0161	1	Gland Seal Kit, L.H.
36	BH-7798-52	6-0276	1	Adapter 1/4" NPT M-3/8" JIC M
37	BH-7798-51	6-0281	1	Adapter 1/4" NPT M-1/4" JIC M
38	BH-7798-47	6-1362	1	Hydraulic Valve Block
50	BH-7790-46	4-0173	1	Double Action Hydr. Cylinder Assy.
51	BH-7792-09	1-0734	1	Felt Strip
52	BH-7805-101	6-0593	1	"Lift Operation" Decal
53	BH-7805-100	6-0594	1	"Safety Instruction" Decal
54	F-HC-0312-18-1000	6-0293	4	Hex Hd. Screw, 5/16"-18 x 1"
55	F-LW-0312	6-0674	4	Lock Washer, 5/16"
56	F-HN-0312-18	6-0299	4	Hex Nut, 5/16"-18

J.H. Heafner, Magnum Model 81776S



Item	SVI part #	OEM #	Req	Description
1	F-FW-0500-SAE	6-0248	16	Flat Washer, 1/2"
2	F-LW-0500	6-0059	8	Lock Washer, 1/2"
3	F-HN-0500-13	6-0035	9	Hex Nut, 1/2"-13
4	call	6-1134	6	Self-Tap. Screw, #12 x 1/2"
5	BH-7798-53	6-0267	8	Cotter Pin, 1/8" x 1"
6	BH-7805-102	6-0996	1	ALI Decal
8	B-7791-09	6-0206	2	Shoulder Bolt, 3/8" x 1"
9	BH-7792-53	1-0938	2	Safety Pin
10	BH-7791-78	1-0415	2	Safety Pulley
11	BH-7792-84	1-1115	2	Safety Spring
12	call	6-0808	8	Flat Washer, 51/64"x1"x1/16" Thk
13	BH-7798-26	6-1135	1	Plastic Knob
14	BH-7796-99	3-0439	2	Safety Cover
15	BH-7792-83	1-1113	1	Safety Release Handle
16	BH-7794-88	2-0902	1	Safety Dog, L.H.
17	BH-7792-95	1-1291	1	Cable Con. Bracket
18	F-HN-0750-10	6-0737	10	Hex Nut, 3/4"-10
19	F-FW-0750-USS	6-0738	10	Flat Washer, 3/4"
20	BH-7798-77	6-1379	10	Wedge Anchor 3/4"-10 x 5-1/2"
21	BH-7792-81	1-1097	4	3/8"-16x6" Lg. Thrd. Plunger Bolt
22	F-HN-0375-16	6-0034	8	Hex Nut, 3/8"-16
23	F-FW-0375-USS	6-0062	8	Flat Washer, 3/8"

Item	SVI part #	OEM #	Req	Description
24	BH-7805-16	4-0512	1	L.H. Tower
25	BH-7790-48	1-1546	4	Plunger Spring
26	BH-7800-51	6-000	4	Grease Fitting
27	BH-7792-79	1-1095	4	Plunger
28	BH-7790-48	1-1546	4	Rod
29	BH-7791-75	1-0382	4	Shoulder Bolt, 1/2" x 1"
31	BH-7793-11	1-1473	2	Equalizing Cable
32	BH-7793-12	1-1534	2	Carriage Cover
33	BH-7805-17	1-1458	2	Cover Plate
34	BH-7808-76	6-0626	2	Fender Flat Washer
35	F-HC-0250-20-0500	6-0126	2	1/4"-20 NC x 1/2" Deep Bolt
36	BH-7805-18	3-0623	2	Outer Arm Tube, R.R., L.F.
37	BH-7805-19	3-0622	2	Outer Arm Tube, L.R., R.F.
38	BH-7805-20	4-0528	2	Locking Arm Assembly, R.R., L.F.
39	BH-7805-21	4-0527	2	Locking Arm Assembly, L.R., R.F.
40	BH-7805-22	2-1177	4	Inner Arm
41	BH-7792-82P	1-1099	4	Center Pin
42	BH-7792-77	1-1091	4	Adapter Pin
43	BH-7797-37	3-0582	4	High Step Position Adapter
	BH-7798-19			Height Ext. Drop-On 6" w/Pad
44	BH-7797-38	3-0583	4	Low Position Adapter

continues on next page

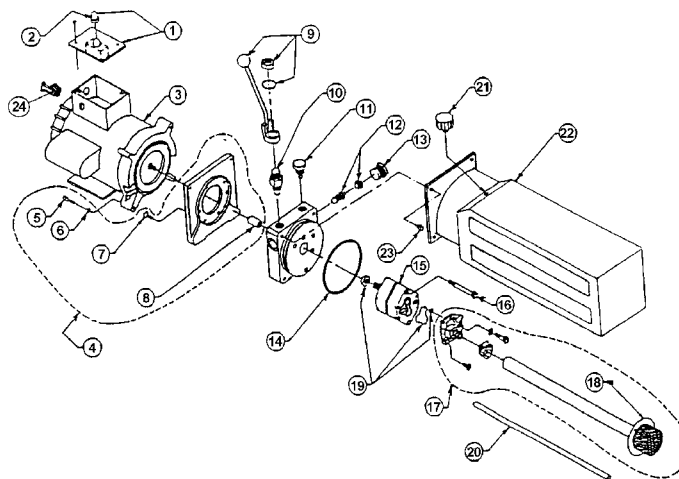
J.H. Heafner, Magnum Model 81776S (continued)

Item	SVI part #	OEM #	Req	Description
45	BH-7805-23	1-1451	6	2-Post Pulley
46	call	6-1512	4	Hex Bolt, 3/8" x 5/8"
47	F-LW-0375	6-0058	8	Lock Washer, 3/8"
48	BH-7796-06	2-0439	4	Arm Pin
49	F-HC-0312-18-0750	6-0423	4	Hex Bolt, 5/16"-18 x 3/4"
50	BH-7805-24	4-0511	1	R.H. Tower
51	call	6-0069	2	Shoulder Bolt, 3/8" x 5/8"
52	BH-7790-78	0-0203	1	Safety Cover with Decal, R.H.
53	BH-7805-100	6-0594	1	"Safety Instructions" Decal
54	BH-7794-79	2-0872	1	R.H. Safety Dog
55	BH-7792-86	1-1119	4	Carriage Stop
56	BH-7805-25	2-1197	2	Crossmember Bracket
57	F-HN-0312-18	6-0294	2	Hex Nut, 5/16"-18
58	BH-7792-85	1-1116	2	Safety Cable Pulley
59	BH-7806-10	6-0169	2	Self-Tap. Screw, #10 x 3/8"
60	BH-7798-04	1-1551	1	Safety Release Cable, 293-1/2"
61	F-FW-0375-USS	6-0625	18	3/8" Flat Washer
62	BH-7798-74	6-1230	3	3/8" Clip
63	BH-7805-96	6-0595	1	"Warning" Decal
64	BH-7805-97	6-0592	1	"Caution" Decal
65	BH-7805-98	6-0603	1	"Safety Release" Decal
66	F-LW-0375	6-0058	18	3/8" Lock Washer
67	call	6-0054	18	3/8" 16 Nut
68	BH-7805-108	6-1120	1	Serial # Tag
69	F-HC-0375-16-1000	6-0067	17	Hex Head Bolt, 3/8"-16 x 1"
70	BH-7790-19	2-0772	8	Glide Bearing
71	BH-7805-26	4-0524	2	Carriage
72	BH-7804-29	6-1507	3	Rubber Grommet

Item	SVI part #	OEM #	Req	Description
74	BH-7793-01	1-1380	1	Actuator Bar
75	BH-7798-36	6-1404	1	Foam Guard
76	BH-7805-27	2-1258	1	Crossmember
77	BH-7798-37	6-1403	1	Electrical Utility Box
78	BH-7004-19	6-0916	1	Microswitch
79	BH-7792-99	1-1379	1	Actuator Extension
80	BH-7798-39	6-1133	1	Cable Connector
81	BH-7798-40	6-1173	1	Electrical Cable 117" Long
82	F-HN-0250-20	6-0032	7	Hex Hd. Nut 1/4" NC
83	F-HC-0250-20-0750	6-0178	3	Hex Hd. Bolt, 1/4" NC x 3/4"
84	F-LW-0250	6-0056	6	Lock Washer 1/4"
86	F-HC-0500-13-2250	6-0315	8	Hex Bolt, 1/2"-13 x 2-1/4"
87	BH-7790-79	0-0204	1	Safety Cover with Decals, L.H.
88	BH-7798-12	6-0295	2	Flat Washer 5/16"
89	F-LW-0312	6-0296	2	Lock Washer, 5/16"
90	call	6-0908	1	Shoulder Bolt, 3/8" x 1-1/4"
93	call	6-0185	1	Shoulder Bolt, 5/16" x 1/4"
95	BH-7792-98	1-1378	1	Actuator Mtg. Bracket
96	BH-7795-32	2-1143	1	Limit Switch Mtg. Bracket
97	call	6-0177	1	Hex Hd. Bolt, 1/4" NC x 2"
98	call	6-1466	2	6/32 Screw (Electrical Box)
99	call	6-0027	3	Hex Hd. Bolt, 1/4" NC x 1-1/4"
100	F-HC-0375-13-0750	6-0030	1	Hex Hd. Bolt, 3/8"-16 x 3/4"
101	BH-7793-13	1-1623	4	1/2" Lg. Crossmember Pulley Pipe
102	BH-7805-28	1-1624	2	2" Lg. Crossmember Pulley Pipe
103	BH-7795-40	2-1251	2	Crossmember Pulley Shaft
104	BH-7798-53	6-0267	4	Cotter Pin, 1/8" x 1"
105	F-FW-0750-USS	6-0738	12	Flat Washer, 3/4"

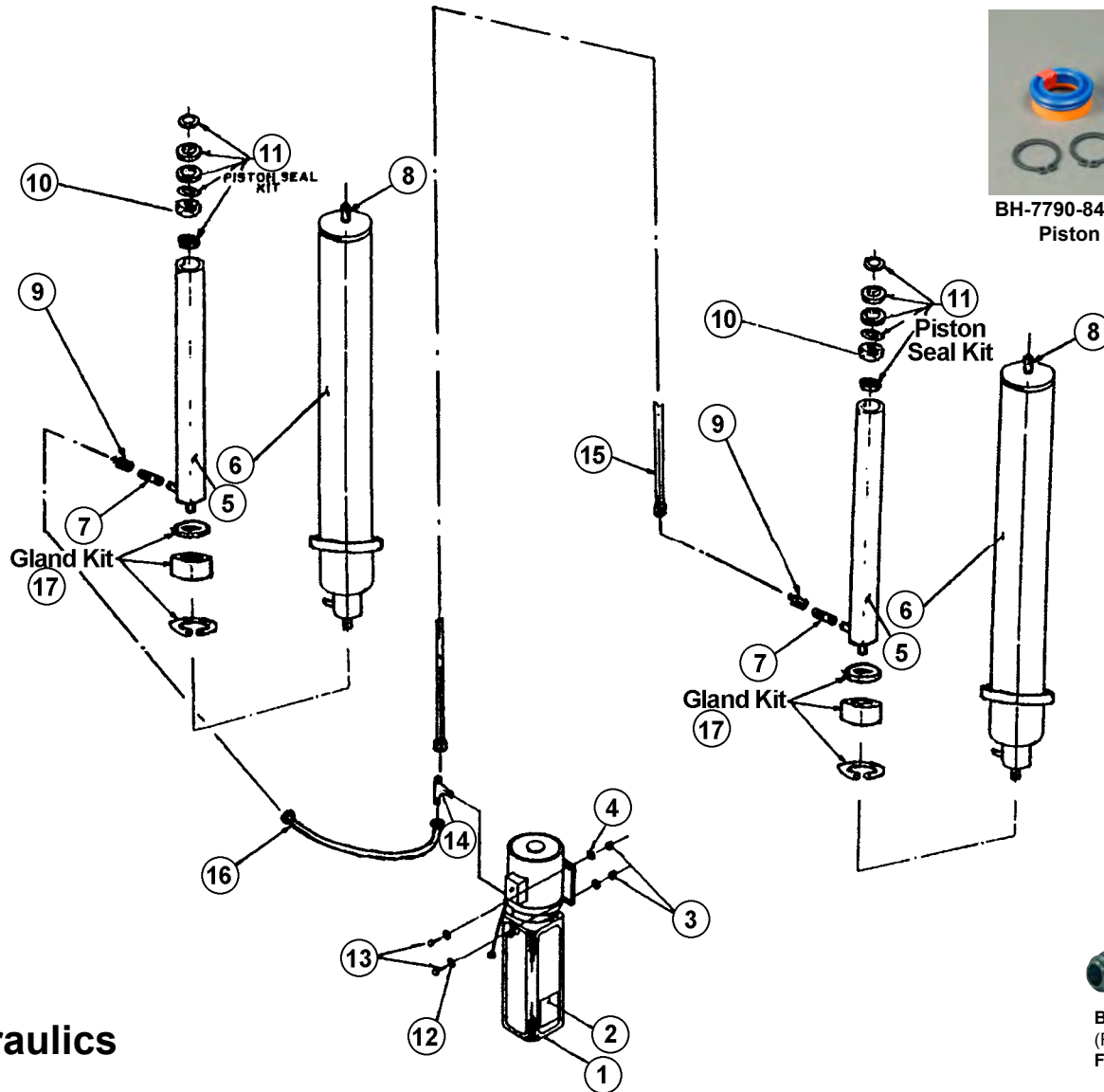
J.H. Heafner, Magnum Model 81776S - Power Pack

Item	SVI part #	OEM #	Req	Description
1	BH-7004-36	6-0881	1	Small Microswitch - New Style
2	BH-7803-68	6-1084	1	Microswitch Boot
3	BH-7802-53	6-0773	1	Motor 230 Vac. 1 PH. 60 Hz.
4	BH-7805-14	0-0197	1	Motor Adapter Kit
5	F-SC-0250-20-0625	6-1085	4	Skt., Hd. Capscrew 1/4"-20 x 5/8"
6	F-LW-0250	6-0056	4	Lock Washer, 1/4"
7	BH-7806-25	6-1086	4	Allen Hd. Flat Screw, 1/4" x 3/4"
8	BH-7802-54	6-0774	1	Coupling
9	BH-7802-56	6-0776	1	Release Bracket & Handle Assembly
10	BH-7802-92	6-0880	1	Valve Cartridge Release
11	BH-7803-69	6-1087	1	Valve Cartridge Check
12	BH-7804-05	6-1319	1	Fixed Relief Valve (RV19)
13	BH-7803-71	6-1089	1	Relief Valve Cap
14	BH-7802-87	6-0875	1	Reservoir "O" Ring
15	BH-7802-60	6-0782	1	Pump Assembly
16	BH-7803-72	6-1090	2	Pump Mounting Bolt
17	BH-7790-76	0-0198	1	Inlet Plumbing Kit
18	BH-7802-64	6-0786	1	Inlet Hose/Filter Assembly
19	BH-7790-77	0-0199	1	Pump "O" Ring Kit



Item	SVI part #	OEM #	Req	Description
20	BH-7802-61	6-0783	1	Return Tube
21	BH-7007-92	6-1376	1	Breather-Filler Cap (Plastic)
22	BH-7804-17	6-1399	1	Reservoir (Plastic)
23	BH-7803-73	6-1091	4	Reservoir Screw
24	BH-7803-76	6-1133	1	Cable Connector 90°, 3/8"

J.H. Heafner, Magnum Model 81776S



BH-7790-84 (Ref 0-0337)
Piston Seal Kit



BH-7804-30
(Ref 6-1510)
Flow Control

Hydraulics

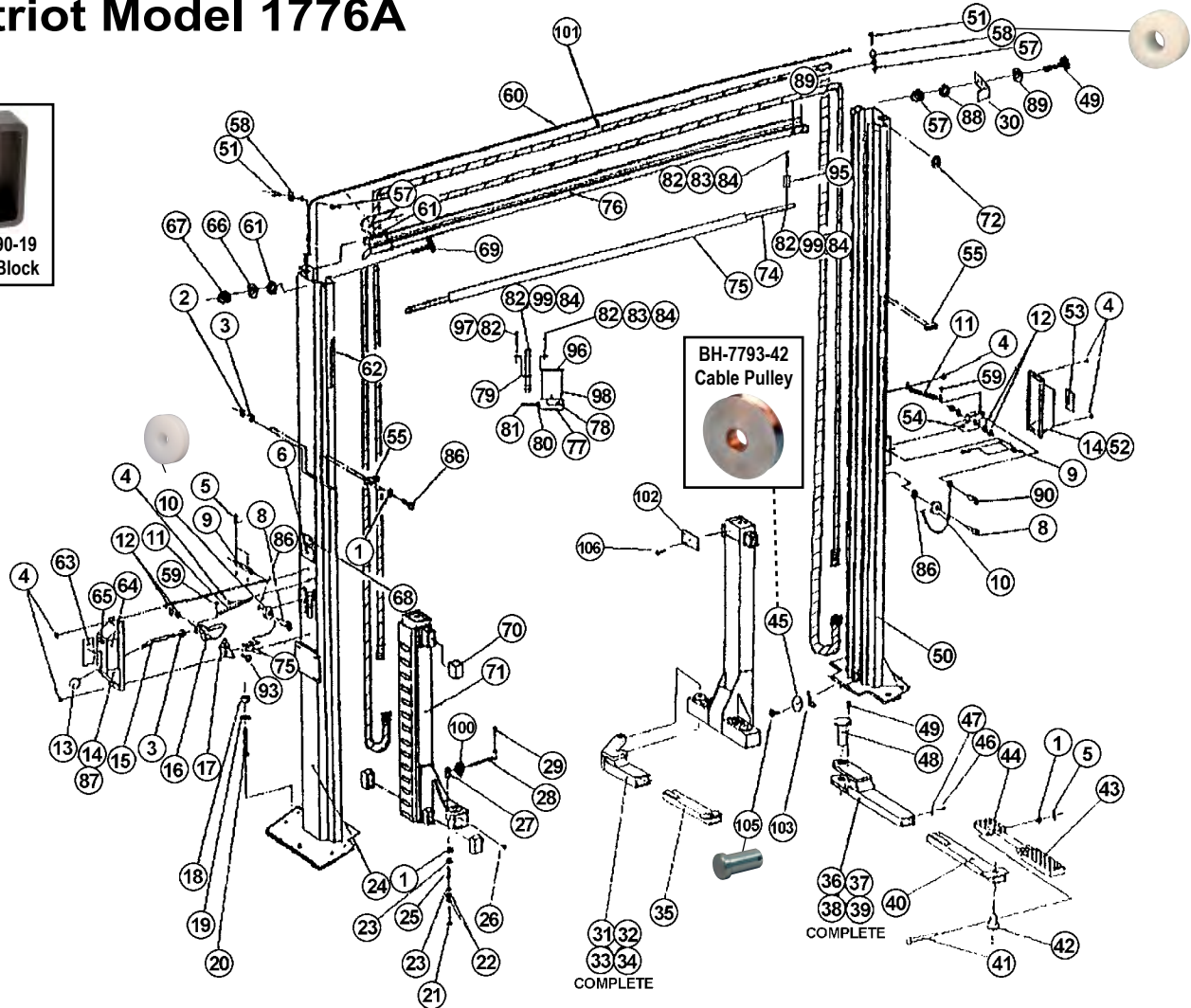
Item	SVI part #	OEM #	Req	Description
1	BH-7805-15	6-1310	1	Power Pack
2	BH-7805-101	6-1265	1	"Lift Operation" Decal
3	F-HN-0312-18	6-0294	4	Hex Nut, 5/16"-18
4	F-LW-0312	6-0674	4	Lock Washer, 5/16"
5	BH-7793-10	1-1469	2	Piston Rod, 1-1/4" x 1/4" x 72-11/16"
6	BH-7793-08	1-1465	2	Cylinder Tube Machined
7	BH-7805-29	6-1509	2	Male Nipple, 1/4" NPT
8	call	6-1511	2	1/8" NPT Sq. Head Plug
9	BH-7804-30	6-1510	2	Flow Control

Item	SVI part #	OEM #	Req	Description
10	BH-7793-09	1-1467	2	Piston
11	BH-7790-84	0-0337	2	Piston Seal Kit
12	F-FW-0312-USS	6-0061	4	Flat Washer, 5/16"
13	F-HC-0312-18-1000	6-0293	4	Hex Bolt, 5/16"-18 x 1"
14	BH-7804-28	6-1506	1	Branch Tee
15	BH-7805-30	2-1231	1	Hydraulic Hose (Long)
16	BH-7795-39	2-1230	1	Hydraulic Hose (Short)
17	BH-7790-85	0-0338	2	Gland Kit



DIRECTFIT™

Patriot Model 1776A



Item	SVI part #	OEM #	Req	Description
1	F-FW-0500-SAE	6-0248	16	Flat Washer, 1/2"
2	F-LW-0500	6-0059	8	Lock Washer, 1/2"
3	F-HN-0500-13	6-0035	13	Hex Nut, 1/2"-13
4	call	6-1134	6	Self-Tap. Screw, #12 x 1/2"
5	BH-7798-53	6-0267	8	Cotter Pin, 1/8" x 1"
6	BH-7805-102	6-0996	1	ALI Decal
8	BH-7791-09	6-0206	2	Shoulder Bolt, 3/8" x 1"
9	BH-7792-53	1-0938	2	Safety Pin
10	BH-7791-78	1-0415	2	Safety Pulley
11	BH-7792-84	1-1115	2	Safety Spring
12	call	6-0808	8	Flat Washer, 51/64" x 1" x 1/16" Thk.
13	BH-7798-26	6-1135	1	Plastic Knob
14	BH-7796-99	3-0439	2	Safety Cover
15	BH-7792-83	1-1113	1	Safety Release Handle
16	BH-7794-88	2-0902	1	Safety Dog, L.H.
17	BH-7792-95	1-1291	1	Cable Connecting Bracket
18	F-HN-0750-10	6-0737	10	Hex Nut, 3/4"-10
19	F-FW-0750-USS	6-0738	10	Flat Washer, 3/4"
20	BH-7798-77	6-1379	10	Wedge Anchor, 3/4" x 5-1/2"
21	call	6-1262	4	3/8" x 6" Lg. Thrd. Plunger Bolt
22	BH-7790-98	6-0042	4	Nylon Locknut, 3/8"-16
23	F-FW-0375-USS	6-0062	8	Flat Washer, 3/8"
24	BH-7805-31	4-0663	1	Tower, Power Side

Item	SVI part #	OEM #	Req	Description
25	BH-7792-80	1-1096	4	Plunger Spring
26	BH-7800-51	6-0000	4	Grease Fitting
27	BH-7792-79	1-1095	4	Plunger
28	BH-7790-48	1-1546	4	Rod Weldment
29	call	6-0054	4	Shoulder Bolt, 1/2" x 1"
30	BH-7795-90	2-1477	2	Angle Bracket
31	BH-7805-32	3-0653	1	Outer Arm Tube, R.H.
32	BH-7805-33	3-0654	1	Outer Arm Tube, L.H.
33	BH-7805-34	4-0597	1	Short Locking Arm Assembly, R.H.
34	BH-7805-35	4-0598	1	Short Locking Arm Assembly, L.H.
35	BH-7795-24	2-1088	2	Short Inner Arm
36	BH-7805-36	3-0563	1	Outer Arm Tube, R.H.
37	BH-7805-37	3-0564	1	Outer Arm Tube, L.H.
38	BH-7805-38	4-0438	1	Long Locking Arm Assembly, R.H.
39	BH-7805-39	4-0440	1	Long Locking Arm Assembly, L.H.
40	BH-7795-23	2-1086	2	Long Inner Arm
41	BH-7792-82P	1-1099	4	Center Pin
42	BH-7792-77	1-1091	4	Adapter Pin
43	BH-7797-37	3-0582	4	High Step Position Adapter
	BH-7798-19			Height Ext. Drop-On 6" w/Pad
44	BH-7797-38	3-0583	4	Low Position Adapter
45	BH-7793-42	1-1898	2	2-Post Pulley
46	call	6-1512	4	Hex Bolt, 3/8" x 5/8"

P
a
g
e
34

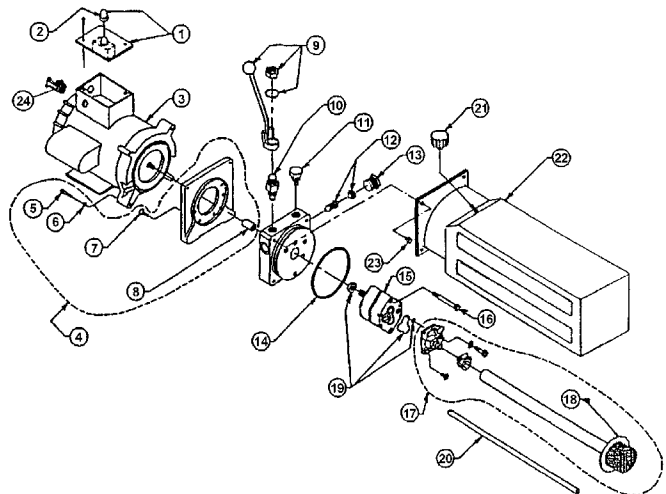
Patriot Model 1776A (continued)

Item	SVI part #	OEM #	Req	Description
47	F-LW-0375	6-0058	8	3/8" Lock Washer
48	BH-7796-06	2-0439	4	Arm Pin
49	F-HC-0312-18-0750	6-0423	8	Hex Bolt, 5/16"-18 x 3/4"
50	BH-7805-40	4-0664	1	Tower, Slave Side
51	call	6-0069	2	Shoulder Bolt, 3/8" x 5/8"
52	BH-7790-78	0-0203	1	Safety Cover w/Decals, R.H.
53	BH-7805-100	6-0594	1	"Safety Instructions" Decal
54	BH-7794-79	2-0872	1	Safety Dog, R.H.
55	BH-7792-86	1-1119	4	Carriage Stop
57	F-HN-0312-18	6-0294	6	Hex Nut, 5/16"-18
58	BH-7792-85	1-1116	2	Safety Cable Pulley
59	BH-7806-10	6-0169	2	Self-Tap. Screw, #10 x 3/8"
60	BH-7793-43	1-2058	1	Safety Release Cable
61	F-FW-0375-USS	6-0625	8	3/8" Flat Washer
62	BH-7798-74	6-1230	3	5/8" Clip
63	BH-7805-96	6-0595	1	"Warning" Decal
64	BH-7805-97	6-0592	1	"Caution" Decal
65	BH-7805-98	6-0603	1	"Safety Release" Decal
66	F-LW-0375	6-0058	8	3/8" Lock Washer
67	call	6-0034	8	3/8" 16 Nut
68	BH-7805-108	6-1120	1	Serial # Tag
69	F-HC-0375-16-1000	6-0067	8	Hex Hd. Bolt, 3/8"-16 x 1"
70	BH-7790-19	2-0772	8	Glide Bearing
71	BH-7805-26	4-0524	2	Carriage Weldment
72	BH-7804-29	6-1507	3	Rubber Grommet
74	BH-7793-01	1-1380	1	Actuator Bar
75	BH-7798-36	6-1404	1	Foam Guard

Item	SVI part #	OEM #	Req	Description
76	BH-7805-41	3-0695	1	Crossmember Assembly
77	BH-7798-37	6-1403	1	Electrical Utility Box
78	BH-7004-19	6-0916	1	Microswitch
79	BH-7792-99	1-1379	1	Actuator Extension
80	BH-7798-39	6-1133	1	Cable Connector
81	BH-7793-33	1-1786	1	Eq. Cable 12/3 x 114"
82	F-HN-0250-20	6-0032	7	Hex Hd. Nut, 1/4" NC
83	F-HC-0250-20-0750	6-0178	3	Hex Hd. Bolt, 1/4" NC x 3/4"
84	F-LW-0250	6-0056	6	Lock Washer, 1/4"
86	F-HC-0500-13-2250	6-0315	8	Hex Bolt, 1/2"-13 x 2-1/4"
87	BH-7790-79	0-0204	1	Safety Cover w/Decals, L.H.
88	BH-7798-12	6-0295	6	Flat Washer, 5/16"
89	F-LW-0312	6-0296	6	Lock Washer, 5/16"
90	BH-7790-31	6-0801	1	Shoulder Bolt, 3/8" x 1-1/2"
93	call	6-1752	1	Shoulder Bolt, 5/16" x 1/4"
95	BH-7792-98	1-1378	1	Actuator Mtg. Bracket
96	BH-7795-32	2-1143	1	Limit Switch Mtg. Bracket
97	call	6-0741	1	Hex Hd. Bolt, 1/4" x 2"
98	call	6-1466	2	6/32" Screw (Electric Box)
99	call	6-0027	2	Hex Hd. Bolt, 1/4" NC x 1-1/4"
100	call	6-1533	2	1/2" Lock Nut
101	BH-7793-33	1-1786	2	Eq. Cable
102	BH-7793-12	1-1534	2	Carriage Cover
103	BH-7805-42	6-1841	2	Hitch Pin, 1/8"
105	BH-7793-41	1-1887	2	Pin, Eq. Cable
106	BH-7798-11	6-0297	2	Self-Tap. Screw, #10 x 3/4"

Patriot Model 1776A - Power Pack

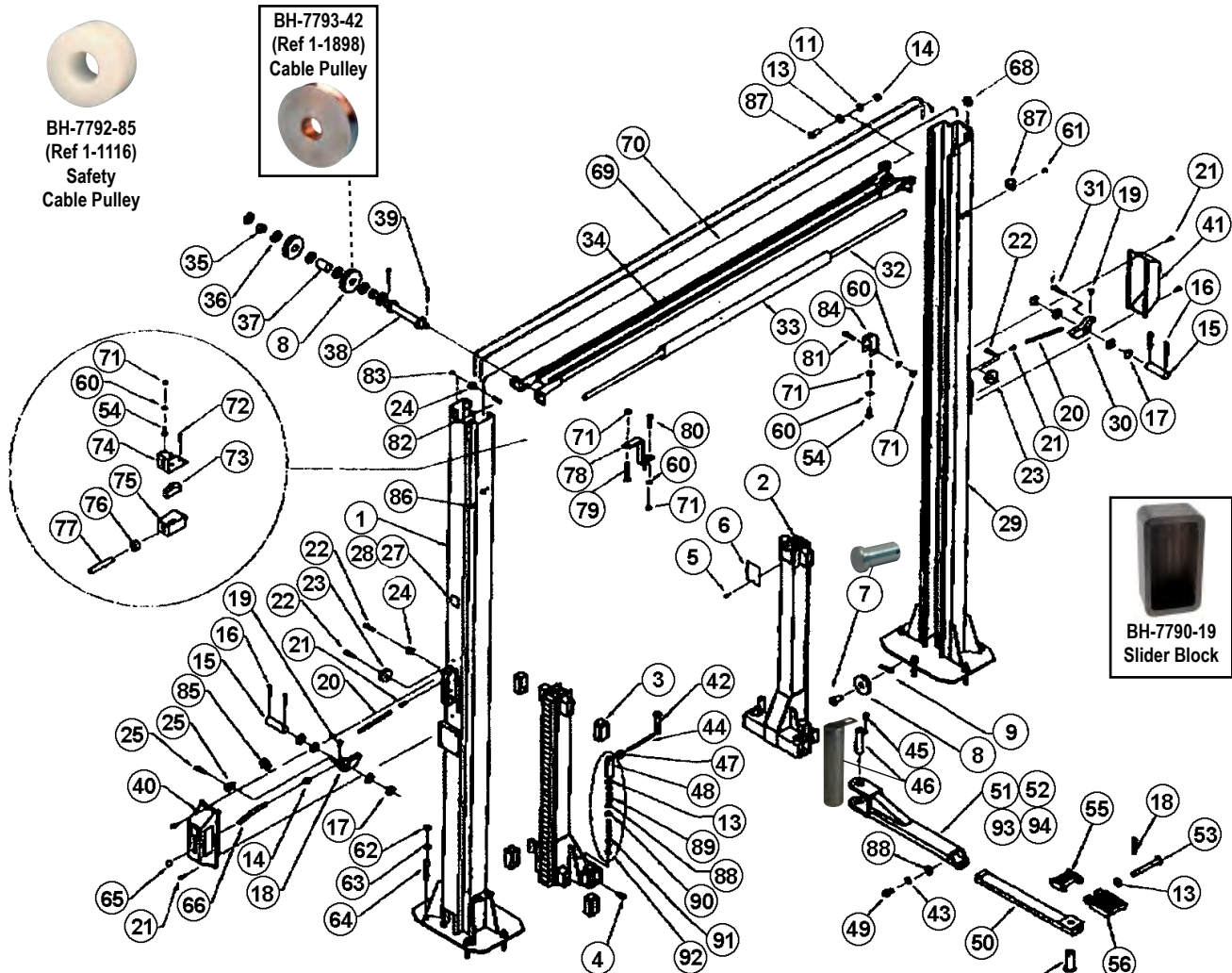
Item	SVI part #	OEM #	Req	Description
1	BH-7004-36	6-0881	1	Small Microswitch - New Style
2	BH-7803-68	6-1084	1	Microswitch Boot
3	BH-7802-53	6-0773	1	Motor 230 Vac. 1 PH. 60 Hz.
4	BH-7805-14	0-0197	1	Motor Adapter Kit
5	call	6-1085	4	Skt., Hd. Capscrew 1/4" x 5/8"
6	F-LW-0250	6-0056	4	Lock Washer, 1/4"
7	BH-7806-25	6-1086	4	Allen Hd. Flat Screw, 1/4"-20 x 3/4"
8	BH-7802-54	6-0774	1	Coupling
9	BH-7802-56	6-0776	1	Release Bracket & Handle Assembly
10	BH-7802-92	6-0880	1	Valve Cartridge Release
11	BH-7803-69	6-1087	1	Valve Cartridge Check
12	BH-7804-05	6-1319	1	Fixed Relief Valve (RV19)
13	BH-7803-71	6-1089	1	Relief Valve Cap
14	BH-7802-87	6-0875	1	Reservoir "O" Ring
15	BH-7802-60	6-0782	1	Pump Assembly
16	BH-7803-72	6-1090	2	Pump Mounting Bolt
17	BH-7790-76	0-0198	1	Inlet Plumbing Kit
18	BH-7802-64	6-0786	1	Inlet Hose/Filter Assembly
19	BH-7790-77	0-0199	1	Pump "O" Ring Kit



Item	SVI part #	OEM #	Req	Description
20	BH-7802-61	6-0783	1	Return Tube
21	BH-7007-92	6-1376	1	Breather-Filler Cap (Plastic)
22	BH-7804-17	6-1399	1	Reservoir (Plastic)
23	BH-7803-73	6-1091	4	Reservoir Screw
24	BH-7803-76	6-1133	1	Cable Connector 90°, 3/8"

P
a
g
e

Patriot Model 1776S, 9,000 lb.



Item	SVI part #	OEM #	Req	Description
1	BH-7800-45	4-0767	1	Tower, Power Side
2	BH-7800-47	4-0778	2	Carriage
3	BH-7790-19	2-0772	8	Glide Bearing
4	BH-7800-51	6-0000	4	Grease Nipple
5	call	6-1134	2	Self Tap. Screw, #12 x 1/2"
6	BH-7793-12	1-1534	2	Carriage Cover
7	BH-7793-41	1-1887	2	Pin, Cable Equalization
8	BH-7793-42	11898	6	2-Post Pulley
9	BH-7805-42	6-1841	2	Hitch Pin, 1/8"
11	F-LW-0500	6-0059	8	Lock Washer 1/2"
13	F-FW-0500-SAE	6-0248	16	Flat Washer 1/2"
14	F-HN-0500-13	6-0035	13	Hex Nut, 1/2"-13
15	BH-7792-53	1-0938	2	Safety Pin
16	BH-7798-53	6-0267	8	Cotter Pin, 1/8" x 1"
17	call	6-0808	8	Flat Washer, 51/64" x 1" x 1/16"
18	BH-7794-88	2-0902	1	Safety Dog, Power Side
19	BH-7806-10	6-0169	4	Self Tap. Screw, #10 x 3/8"
20	BH-7792-84	1-1115	2	Safety Spring
21	call	6-1134	6	Self-Tap. Screw, #12 x 1/2"
22	BH-7791-09	6-0206	3	Shoulder Bolt, 3/8" x 1"
23	BH-7791-78	1-0415	2	Safety Pulley

Item	SVI part #	OEM #	Req	Description
24	BH-7792-85	1-1116	3	Safety Cable Pulley
25	call	6-1883	1	Shoulder Bolt, 5/16" x 1/2"
26	BH-7805-72	6-2056	1	Thimble, 1/16" Cable
27	BH-7805-109	6-1767	1	"Capacity" Decal
28	BH-7805-110	6-1111	1	Serial Plate
29	BH-7800-46	4-0768	1	Tower, Slave Side
30	BH-7794-79	2-0872	1	Safety Dog, Slave Side
31	BH-7790-31	6-0801	1	Shoulder Bolt, 3/8" x 1-1/2"
32	BH-7793-06	1-1439	1	Actuator Bar
33	BH-7798-36	6-1404	1	Foam Guard
34	BH-7795-52	2-1281	1	Crossmember
35	BH-7793-13	1-1623	4	Crossmember, Pulley Pipe, 1/2"
36	F-FW-0750-USS	6-0738	16	Flat Washer, 3/4"
37	BH-7793-14	1-1626	2	Crossmemeber Pulley Pipe, 1-3/4"
38	BH-7795-40	2-1251	2	Crossmember Pulley Shaft
39	BH-7805-73	6-0978	4	Cotter Pin, 1/8" x 1-1/2"
40	BH-7790-79	0-0204	1	Safety Cover C/W Decals, Power Side
41	BH-7790-78	0-0203	1	Safety Cover C/W Decals, Slave Side
42	call	6-2103	4	Shoulder Bolt, 1/2" 1-1/4" (3/8" NC Thrd.)
43	F-LW-0375	6-0058	4	Lock Washer 3/8"
44	BH-7790-48	1-1546	4	Rod

continues on next page

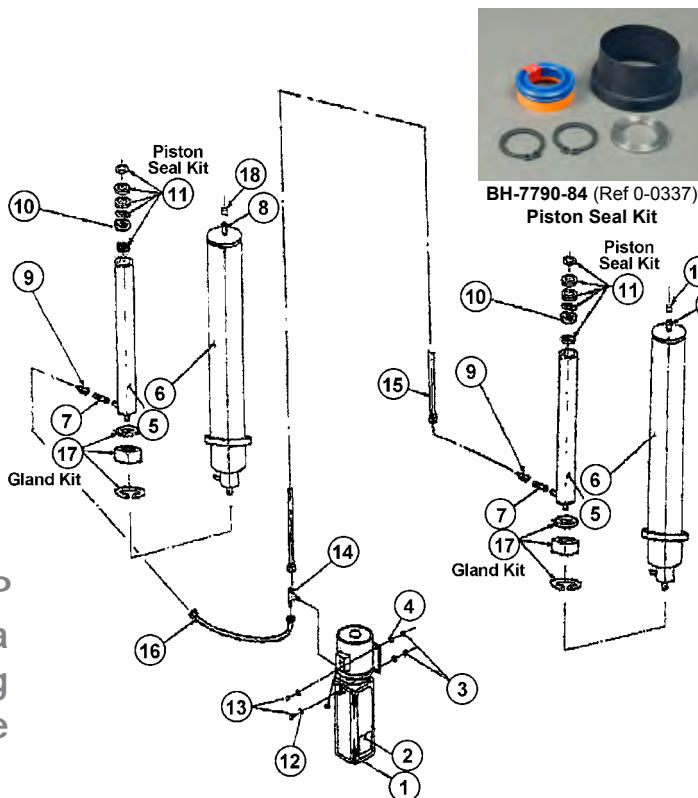


Patriot Model 1776S, 9,000 lb. (continued)

Item	SVI part #	OEM #	Req	Description
45	F-HC-0312-18-0750	6-0423	4	Hex Bolt, 5/16"-18 x 3/4"
46	BH-7796-06	2-1594	4	Arm Pin
47	F-LN-0500-13	6-1553	4	Locknut, 1/2"-13
48	BH-7792-79	1-1095	4	Plunger
49	call	6-0030	4	Hex Bolt, 3/8" x 3/4"
50	BH-7797-77	3-0761	4	Inner Arm
51	BH-7805-74	3-0850	2	Outer Arm, F.L./R.R.
52	BH-7805-75	4-0950	2	Locking Arm Assy., C/W Arm Lock Pin, FL/RR
53	BH-7792-82P	1-1099	4	Center Pin
54	BH-7805-76	1-1979	4	Adapter Pin
55	BH-7797-38	3-0583	4	Low Position Adapter
56	BH-7797-37	3-0582	4	High Position Adapter
	BH-7798-19			Height Ext. Drop-On 6" w/Pad
60	F-LW-0250	6-0056	6	Lock Washer, 1/4"
61	call	6-1353	6	Rnd. Hd. Screw, 1/4" x 3/8"
62	F-HN-0750-10	6-0737	10	Hex Nut, 3/4"-10
63	F-FW-0750-USS	6-0738	10	Flat Washer, 3/4"
64	BH-7798-77	6-1379	10	Wedge Anchor, 3/4" x 5-1/2"
65	BH-7798-26	6-1135	1	Plastic Knob
66	BH-7792-83	1-1113	1	Safety Release Handle
67	F-HC-0500-13-1250	6-0046	8	Hex Bolt, 1/2"-13 x 1-1/4"
68	BH-7804-29	6-1507	3	Rubber Grommet
69	BH-7793-11	1-1473	2	Equalizer Cable
70	BH-7793-43	1-2058	1	Safety Release Cable
71	F-HN-0250-20	6-0032	7	Hex Hd. Nut, 1/4"
72	call	6-1466	2	6/32 Screw, (Electrical Box)
73	BH-7004-19	6-0916	1	Microswitch
74	BH-7795-32	2-1143	1	Limit Switch Mtg. Bracket



Item	SVI part #	OEM #	Req	Description
75	BH-7798-37	6-1403	1	Electrical Utility Box
76	BH-7798-39	6-1133	1	Cable Connector
77	BH-7798-40	6-1173	1	Electrical Cable, 117" Long
78	BH-7792-99	1-1379	1	Actuator Extension
79	call	6-0741	1	Hex Hd. Bolt, 1/4" NC x 2"
80	call	6-0027	2	Hex Hd. Bolt, 1/4" NC x 1-1/4"
81	call	6-0205	1	Hex Hd. Bolt, 1/4" NC x 1-1/2"
82	call	6-0069	2	Shoulder Bolt, 3/8" x 5/8"
83	F-HN-0312-18	6-0294	2	Hex Nut, 5/16"-18
84	BH-7792-98	1-1378	1	Actuator Mtg. Bracket
85	BH-7805-77	6-2060	2	Wire Rope Clip, 1/16"
86	BH-7798-56	6-1759	3	Eq. Cable Clip, 5/8"
87	BH-7805-67	6-0536	6	1/2" Tube Clamp
88	F-FW-0375-USS	6-0062	12	3/8" Flat Washer
89	BH-7792-80	1-1096	4	Plunger Spring
90	BH-7790-98	6-0042	4	Nylon Locknut, 3/8"-16
91	F-HC-0375-16-6000	6-1262	4	Plunger Bolt, 3/8"-16 x 6"
92	BH-7790-47	2-1129	4	Arm Lock Assembly (pictured above)
93	BH-7805-78	3-0849	2	Outer Arm, F.R./R.L.
94	BH-7805-79	4-0951	2	Locking Arm Assy., C/W Arm Lock Pin, F.R./R.L.



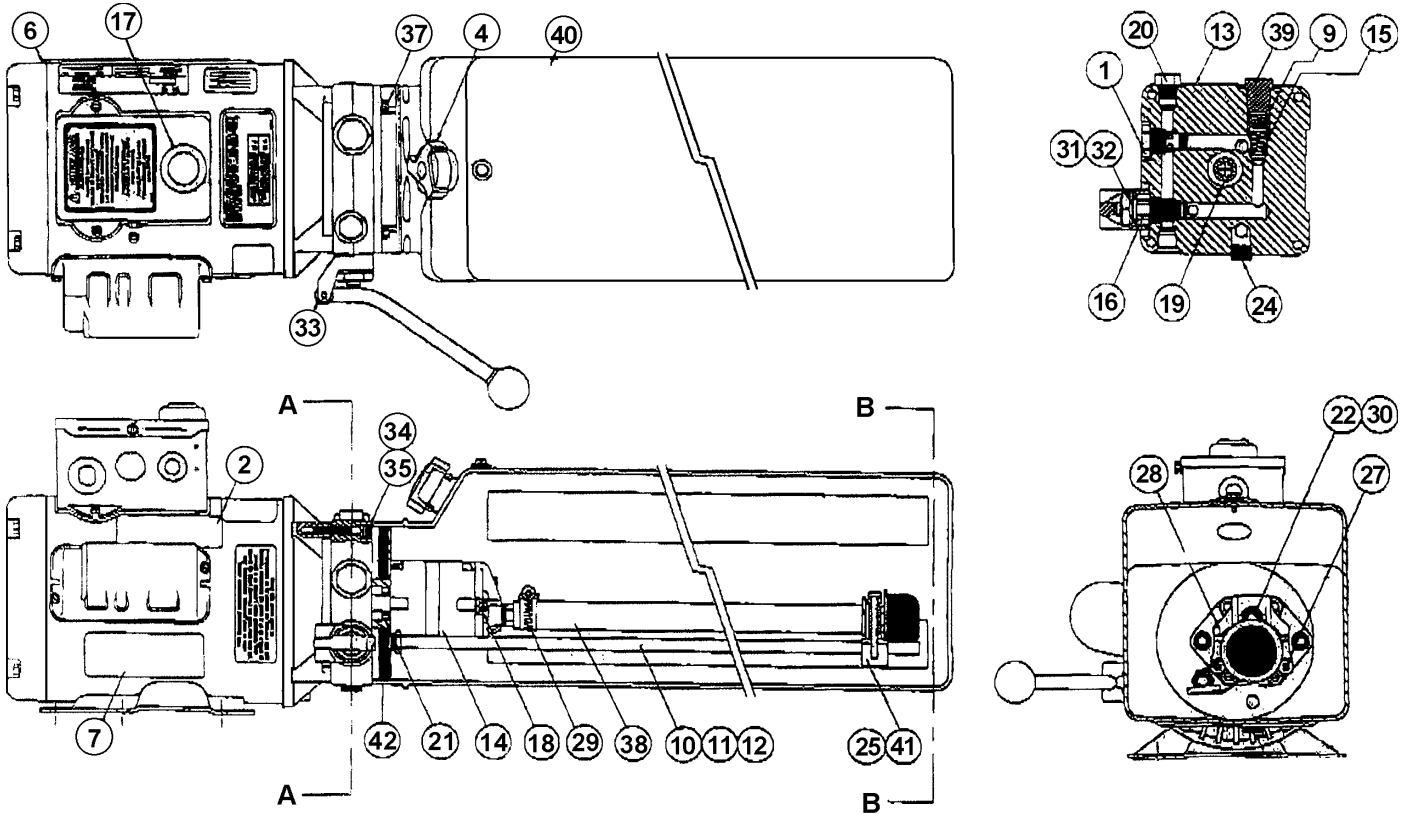
Hydraulics

Item	SVI part #	OEM #	Req	Description
1	BH-7805-80	6-2055	1	Power Pack
2	BH-7805-111	6-1369	1	"Lift Operation" Decal
3	F-HN-0312-18	6-0294	4	Hex Nut, 5/16"-18
4	F-LW-0312	6-0674	4	Lock Washer, 5/16"
5	BH-7793-10	1-1469	2	Piston Rod, 1-1/4" x 1/4" x 72-11/16"
6	BH-7793-08	1-1465	2	Cylinder Tube Machined
7	BH-7806-37	6-2095	2	Male Nipple, 1/4"
8	BH-7801-30	6-0280	2	1/8" NPT to 1/4" JIC
9	BH-7804-30	6-1510	2	Flow Control
10	BH-7793-09	1-1467	2	Piston
11	BH-7790-84	0-0337	2	Piston Seal Kit
12	BH-7798-12	6-0295	4	Flat Washer, 5/16"
13	F-HC-0312-18-1000	6-0293	4	Hex Bolt, 5/16"-18 x 1"
14	BH-7804-28	6-1506	1	Branch Tee
15	BH-7805-81	1-2040	1	Hydraulic Hose (Long)
16	BH-7795-39	2-1230	1	Hydraulic Hose (Short)
17	BH-7790-85	0-0338	2	Gland Kit
18	BH-7805-03	6-1884	2	1/4" JIC Cap
	BH-7797-44	3-0621	2	Cylinder Assembly (Incl. Flow Control)



Patriot Model 1776S, 9,000 lb.

Patriot Model 1776S - Power Pack #6-2055 (AB-1381) 208-230V/1PH/60 Hz.

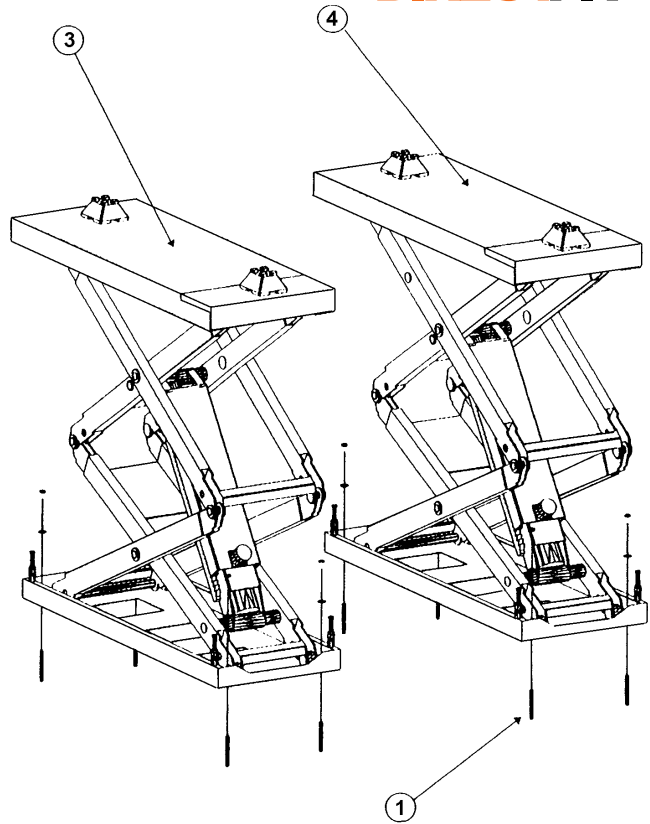
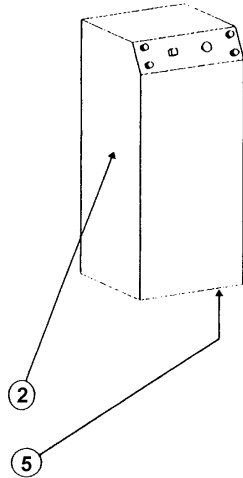


Item	SVI part #	OEM #	Req	Description
1	BH-7803-69	6-1087	1	Valve Cartridge Check
2	BH-7805-113	6-2316	1	Label Install. Autohoist
4	BH-7007-92	6-1376	1	Breather Cap & Bladder
6	BH-7805-82	6-2139	1	Motor, AC 208-230V, 2 HP/1PH/60 Hz., Blk.
7	BH-7805-114	6-2149	1	Label Warning Autohoist
9	BH-7805-83	6-2151	1	Spring, 0.480" x 0.063" x 0.42" Comp.
10	BH-7805-84	6-2152	1	Return Hose, 3/8" x 21.5"
11	call	6-2153	1	Compression Tube Nut
12	BH-7805-85	6-2154	1	Compression Tube Sleeve
13	BH-7805-86	6-2155	1	Endhead Univ. Autohoist
14	BH-7805-87	6-1958	1	Pumppassy 2.5 CC/Rev. Short Spine
15	BH-7804-05	6-1319	1	Relief Assy. Fixed 190 Bar
16	BH-7802-92	6-0880	1	Valve Cart. Rel. Manual
17	BH-7805-88	6-2156	1	Wiring Assy. AC 1 PH. Fenner
18	BH-7803-72	6-1090	2	Bolt, 5/16"-24 x 3.00" Torx G.8
19	BH-7802-54	6-0774	1	Coupling SAE 9T-20/40 1.260"
20	BH-7805-89	6-2157	1	Plumbing Plug, 9/16"
21	BH-7805-90	6-2158	1	Seal Shaft, 0.500" x 1.00" x 0.25"

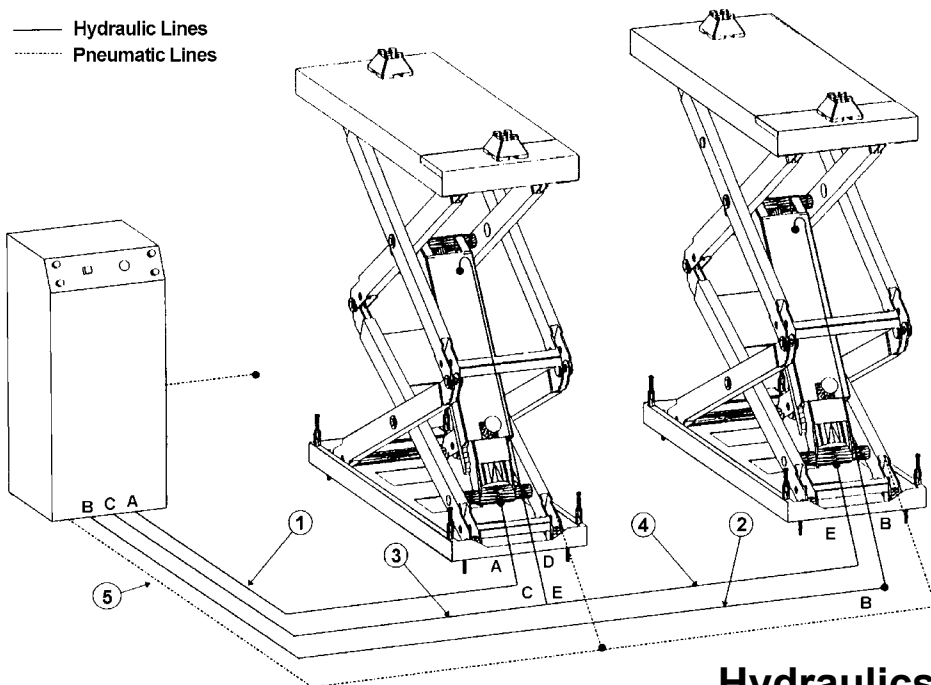
Item	SVI part #	OEM #	Req	Description
22	call	6-2159	1	Washer, 0.338" x 0.625" x 0.060" Steel
24	BH-7805-91	6-2161	1	Plumbing Plug, 3/8" NPT
25	BH-7805-92	6-2162	1	Plumbing Magnet
27	call	6-2164	2	Screw Taplite, M6 x 1.0" 12 MM Torx
28	BH-7805-93	6-2165	1	Cover Assy. Suction
29	BH-7805-94	6-2166	1	Plumbing Clamp Hose Adj. Inlet
30	call	6-1392	1	Bolt, 5/16"-18 x 1.00" SHCS
31	call	6-2167	1	Nut, 3/4"-16 x 1" HEX x 0.250" Steel
32	call	6-2168	1	Washer, 3/4" Int. Toothlock
33	BH-7802-56	6-0776	1	Bracket handle Assembly. Rel., Blk.
34	call	6-2169	4	Bolt, M6 x 1.035 MM Soc. Hd.
35	call	6-2170	4	Washer, 1/4" Lock Hi-Collar
37	BH-7803	6-1091	4	Bolt, #12-24 x 0.50" Hex Wshrhd.
38	BH-7802-64	6-0786	1	Plumbing Assy. Inlet 17.24 (3)
39	BH-7803-71	6-1089	1	Release Valve Cap Assembly
40	BH-7804-17	6-1399	1	Tank Plastic, 6.7 OS 22.50" Blk.
41	BH-7805-01	6-1846	1	White Cable Tie 8"
42	BH-7802-87	6-0875	1	"O" Ring 2-348 BUNA

Cobra, Model 35196FM

Item	SVI part #	OEM #	Req	Description
1	BH-7800-99	6-0140	8	Wdge. Anchor, 1/2" x 4-1/2" (C/W Nuts & Washers)
2	BH-7800-08	4-0608	1	Control Desk
3	BH-7800-06	4-0606	1	Deck Assy., L.H.
4	BH-7800-07	4-0607	1	Deck Assy., R.H.
5	BH-7805-49	6-1571	4	Wdge. Anchor, 3/8" x 2-1/2" (C/W Nuts & Washers)



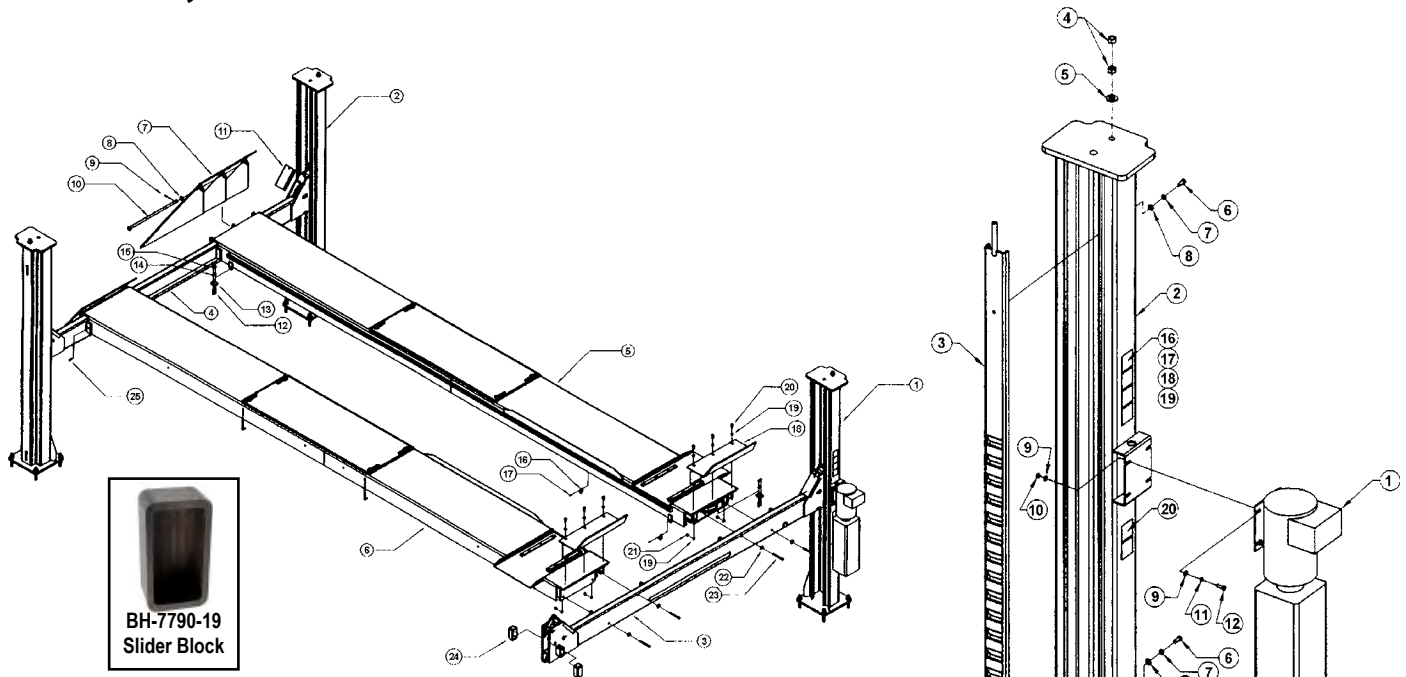
— Hydraulic Lines
 - - - - - Pneumatic Lines



Hydraulics

Item	SVI part #	OEM #	Req	Description
1	BH-7795-45	2-1264	1	Hydraulic Hose "A"
2	BH-7795-46	2-1265	1	Hydraulic Hose "B"
3	BH-7795-47	2-1266	1	Hydraulic Hose "C"
4	BH-7795-48	2-1267	1	Hydraulic Hose "E"
5	BH-7804-32	6-1569	1	Pneumatic Line

Kodiak, Model 18405AF



Lift Assembly

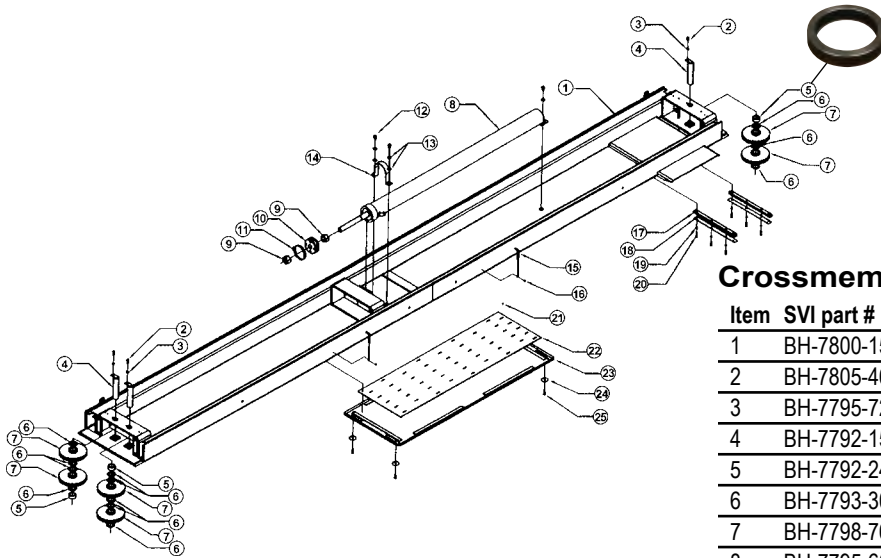
Item	SVI part #	OEM #	Req	Description
1	BH-7800-20	4-0636	1	Power Post Tower
2	BH-7800-18	4-0630	3	Tower
3	BH-7800-15	4-0627	1	Front Crossmember
4	BH-7800-14	4-0626	1	Rear Crossmember
5	BH-7800-17	4-0629	1	L.H. Deck Weldment
6	BH-7800-16	4-0628	1	R.H. Deck Weldment
7	BH-7797-54	3-0680	2	Approach Ramp
8	F-FW-0750-USS	6-0738	2	Flat Washer, 3/4"
9	BH-7798-76	6-0115	2	Cotter Pin, 1/8" x 2"
10	BH-7795-75	2-1381	2	Approach Ramp Pin
11	BH-7795-74	2-1379	4	Sheave Cover
12	F-HC-0250-20-2000	6-0177	4	Hex Hd. Bolt, 1/4"-20 x 2"
13	BH-7792-65	1-1057	2	Manifold
14	F-LW-0250	6-0056	4	Lock Washer, 1/4"
15	F-HN-0250-20	6-0032	4	Hex Nut, 1/4"-20
16	BH-7804-49	6-1683	2	3/4" Hose Clamp
17	BH-7798-11	6-0297	2	Slf.-Thrd. Screw, #10 x 3/4"
18	BH-7795-04	2-0998	2	Front Wheelstop
19	F-LW-0500	6-0059	14	Lock Washer, 1/2"
20	F-HC-0500-13-1000	6-0045	6	Hex Hd. Bolt, 1/2"-13 x 1"
21	F-HN-0500-13	6-0035	8	Hex Nut, 1/2"-13
22	F-FW-0500-USS	6-0063	8	Flat Washer, 1/2"
23	call	6-1694	8	Hex Hd. Bolt, 1/2" x 4-1/2"
24	BH-7790-19	2-0772	8	Glide Bearing
25	F-SS-0500-13-1000	6-0726	4	Set Screw, 1/2"-13 x 1"

Tower Assembly

Item	SVI part #	OEM #	Req	Description
1	BH-7804-55	6-1695	1	Power Pack, 230V/1PH
2	BH-7800-20	4-0636	1	Power Post Weldment
3	BH-7797-35	3-0580	1	Safety Rack Weldment
4	F-HN-0625-11	6-0673	2	Hex Nut, 5/8"-11, Gr. 8
5	F-FW-0750-USS	6-0738	1	Flat Washer, 3/4"
6	F-HC-0375-16-1000	6-0668	2	Hex Hd. Bolt, 3/8"-16 x 1" Gr. 8
7	F-LW-0375	6-0058	2	Lock Washer, 3/8"
8	F-FW-0375-USS	6-0062	2	Flat Washer, 3/8"
9	BH-7798-12	6-0295	4	Flat Washer, 5/16"
10	F-HN-0312-18	6-0294	8	Hex Nut, 5/16"-18, Gr. 8
11	F-LW-0312	6-0674	4	Lock Washer, 5/16"
12	call	6-0293	4	Hex Hd. Bolt, 5/16" x 1", Gr. 8
13	F-FW-0750-USS	6-0738	4	Flat Washer, 3/4"
14	BH-7798-77	6-1379	4	Wedge Anchor, 3/4" x 5-1/2"
15	F-HN-0375-10	6-0737	4	Hex Nut, 3/4"-10
16	BH-7805-97	6-0592	1	"Caution" Decal
17	BH-7805-115	6-0351	1	"Safety Instructions" Decal
18	BH-7805-96	6-0595	1	"Warning" Decal
19	BH-7805-116	6-1637	1	"Attention" Decal
20	BH-7805-117	6-1655	1	Serial Tag



Kodiak, Model 18405AF (continued)

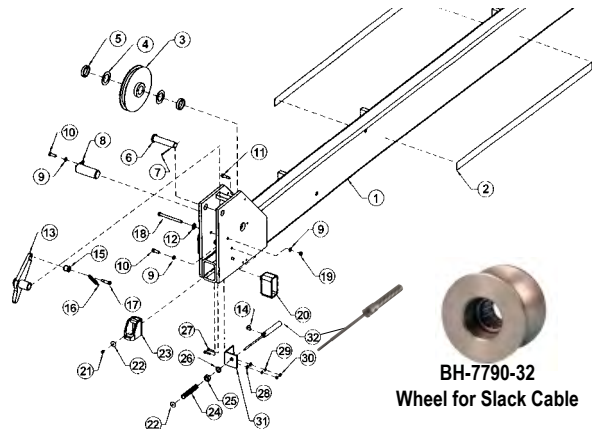


Deck Assembly (Left Side)

Item	SVI part #	OEM #	Req	Description
1	BH-7800-17	4-0629	1	L.H. Deck Weldment
2	F-HC-0375-16-1000	6-0668	3	Hex Hd. Bolt, 3/8"-16 x 1"
3	F-LW-0375	6-0058	3	Lock Washer, 3/8"
4	BH-7795-65	2-1355	3	Deck Sheave Pin
5	BH-7793-27	1-1697	3	Sheave Spacer, 1"
6	BH-7792-15	1-0757	12	Nylon Thrust Washer
7	BH-7795-72	2-1377	6	Sheave Assembly
8	BH-7797-55	3-0681	1	Cylinder Assembly, - 4" Bore
9	F-HN-1375-12	6-1644	2	Hex Nut, 1-3/8"-12
10	BH-7795-81	2-1432	1	Cable Flange (18K 4 Post)
11	BH-7801-96	6-0665	1	Hose Clamp, 4-1/2"
12	call	6-0044	3	Hex Hd. Bolt, 1/2" x 3/4"
13	F-FW-0500-SAE	6-0248	5	Flat Washer, 1/2"
14	BH-7793-31	1-1747	1	Cylinder Sling
15	BH-7794-37	2-0637	2	Locking Pin Assembly
16	call	6-0505	2	Self-Tap. Screw, #10 x 1/2"
17	BH-7794-36	2-0636	2	Spacer Bar
18	BH-7794-35	2-0635	2	Retaining Bar
19	F-LW-0500	6-0056	6	Lock Washer, 1/2"
20	call	6-0027	6	Hex Hd. Bolt, 1/4" x 1-1/4"
21	BH-7790-35	6-0829	1	1/4" Ball Bearing (1 Packet)
22	BH-7790-34	3-0196	1	Bearing Cage
23	BH-7796-49	3-0197	1	Rear Slip Plate (Full Floating)
24	call	6-0426	4	Flat Washer, 2" x 13/32"
25	call	6-0069	4	Shoulder Bolt, 3/8" x 5/8"

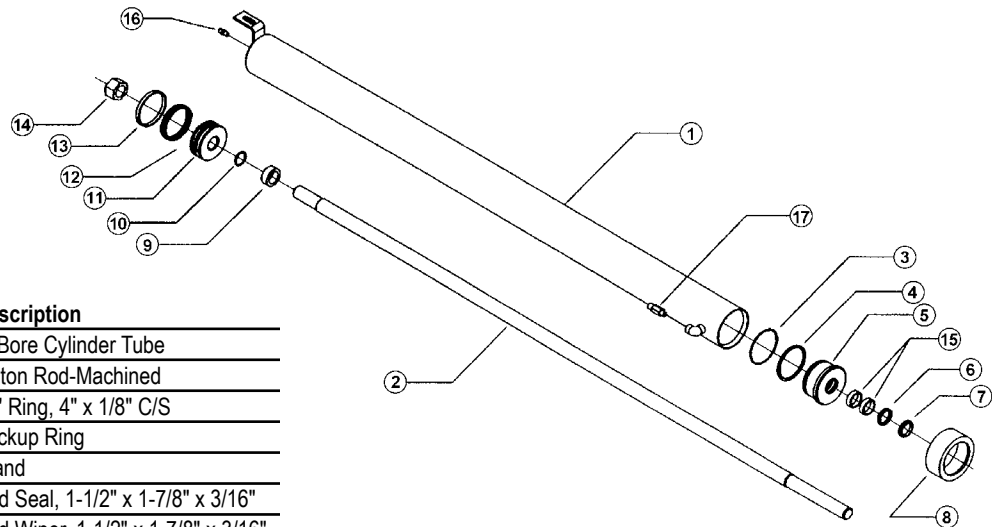
Crossmember Assembly

Item	SVI part #	OEM #	Req	Description
1	BH-7800-15	4-0627	1	Front Crossmember
2	BH-7805-46	6-1125	2	"Caution" Tape, 40"
3	BH-7795-72	2-1377	2	Sheave Assembly
4	BH-7792-15	1-0757	4	Nylon Thrust Washer
5	BH-7792-24	1-0786	4	Sheave Spacer, 3/8"
6	BH-7793-30	1-1744	2	Lock Safety Pin
7	BH-7798-76	6-0115	2	Cotter Pin, 1/8" x 2"
8	BH-7795-66	2-1356	2	Crossmember Sheave Pin
9	F-LW-0375	6-0058	12	Lock Washer, 3/8"
10	F-HC-0375-16-1000	6-0668	10	Hex Bolt, 3/8"-16 x 1"
11	call	6-0729	2	Shoulder Bolt, 3/8" x 3/4"
12	F-FW-0375-USS	6-0625	2	Flat Washer, 3/8"
13	BH-7795-78	2-1424	2	Lock Safety
14	BH-7802-31	6-0709	2	90° Elbow, 1/8" NPT x 1/4" Polytube
15	BH-7790-32	1-0766	2	Cable Roller
16	BH-7792-19	1-0768	2	Tension Spring
17	BH-7791-08	6-0606	2	Shoulder Bolt, 3/8" x 1"
18	F-HC-0375-16-4500	6-1693	2	Hex Bolt, 3/8"-16 x 4-1/2"
19	F-HN-0375-16	6-0034	2	Hex Nut, 3/8"-16
20	BH-7795-71	2-1376	4	Slider Block
21	F-LN-0250-28	6-1563	2	Hex Nylon Locknut, 1/4"-28
22	call	6-0626	4	Fender Washer, 1/4"
23	BH-7795-73	2-1378	2	Safety Shoe Weldment
24	BH-7792-18	1-0767	2	Compression Spring
25	F-HN-0625-18	6-0662	2	Hex Nut, 5/8"-18
26	call	6-0663	2	Int. Tooth Lock Washer, 5/8"
27	F-HC-0250-20-1000	6-0008	4	Hex Bolt, 1/4"-20 x 1"
28	F-FW-0250-USS	6-0060	4	Flat Washer, 1/4"
29	F-LW-0250	6-0056	4	Lock Washer, 1/4"
30	F-HN-0250-20	6-0032	4	Hex Nut, 1/4"-20
31	BH-7793-28	1-1712	2	Air Cylinder Bracket
32	BH-7798-03	6-0651	2	Air Cylinder



BH-7790-32
Wheel for Slack Cable

Kodiak, Model 18405AF (continued)

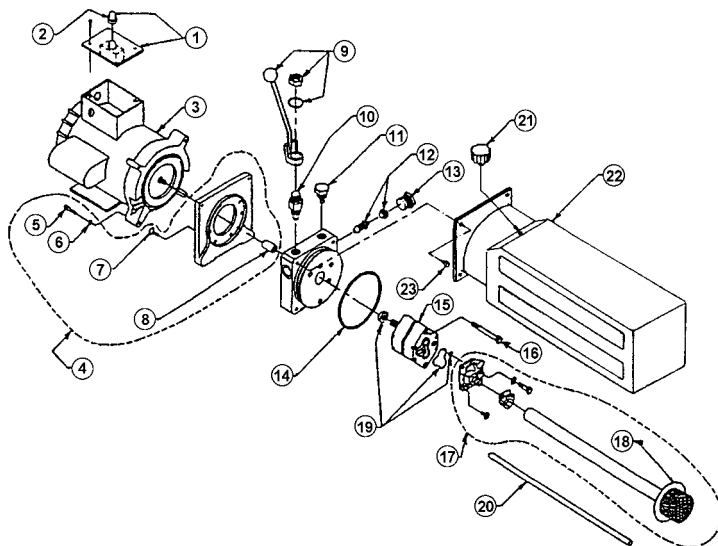


Cylinder Assembly

Item	SVI part #	OEM #	Req	Description
1	BH-7795-64	2-1345	1	4" Bore Cylinder Tube
2	BH-7795-61	2-1340	1	Piston Rod-Machined
3	BH-7804-40	6-1633	1	"O" Ring, 4" x 1/8" C/S
4	BH-7804-41	6-1634	1	Backup Ring
5	BH-7797-53	3-0673	1	Gland
6	BH-7804-02	6-1304	1	Rod Seal, 1-1/2" x 1-7/8" x 3/16"
7	BH-7805-47	6-1303	1	Rod Wiper, 1-1/2" x 1-7/8" x 3/16"
8	BH-7795-62	2-1343	1	Tube Nut
9	BH-7793-26	1-1689	1	Keeper Washer
10	BH-7804-39	6-1632	1	"O" Ring, 1-3/8" x 1/8" C/S
11	BH-7795-63	2-1344	1	Piston
12	BH-7804-43	6-1636	1	Rod Seal, 4" x 3-1/2"
13	BH-7804-42	6-1635	1	Wear Ring, 4" x 3/8" W x 1/8" Thk.
14	F-LN-1375-12	6-1645	1	Lock nut, 1-3/8"-12
15	BH-7804-51	6-1686	2	Wear Ring, 1-3/4" x 1/2" W x 1/8" Thk.
16	BH-7801-30	6-0280	1	Adapter, 1/8" NPT-M to 1/4" JIC-M
17	BH-7804-50	6-1684	1	Velocity Fuse-8 GPM

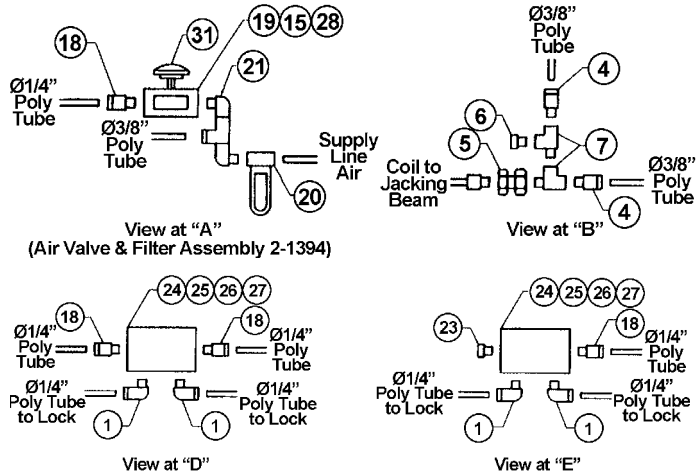
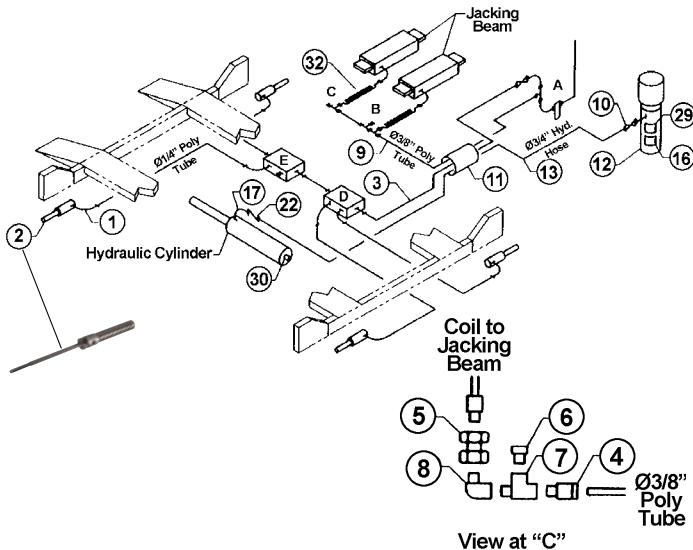
Power Pack Assembly

Item	SVI part #	OEM #	Req	Description
1	BH-7004-36	6-0881	1	Small Microswitch - New Style
2	BH-7803-68	6-1084	1	Microswitch Boot
3	BH-7802-53	6-0773	1	Motor, 230V AC, 1PH, 60 Hz.
4	BH-7805-14	0-0197	1	Motor Adapter Kit
5	F-SC-0250-20-1625	6-1085	4	Socket Hd. Capscrew, 1/4"-20 x 1-5/8"
6	F-LW-0250	6-0056	4	Lock Washer, 1/4"
7	BH-7806-25	6-1086	4	Allen Flat Hd. Screw, 1/4"-20 x 3/4"
8	BH-7802-54	6-0774	1	Coupling
9	BH-7802-56	6-0776	1	Release Bracket & Handle Assembly
10	BH-7802-92	6-0880	1	Valve Cartridge Release
11	BH-7803-69	6-1087	1	Valve Cartridge Check
12	BH-7804-05	6-1319	1	Fixed Relief Valve Assembly (RV19)
13	BH-7803-71	6-1089	1	Relief Valve Cap
14	BH-7802-87	6-0875	1	Reservoir "O" Ring
15	BH-7804-52	6-1688	1	Pump Assembly
16	BH-7803-72	6-1090	2	Pump Mounting Bolt
17	BH-7790-76	0-0198	1	Inlet Pumping Kit
18	BH-7802-64	6-0786	1	Inlet Hose/Filter Assembly
19	BH-7790-77	0-0199	1	Pump "O" Ring Kit
20	BH-7802-61	6-0783	1	Return Tube
21	BH-7802-62	6-0784	1	Breather Filler Cap
22	BH-7802-63	6-0785	1	Reservoir
23	BH-7803-73	6-1091	4	Reservoir Screw





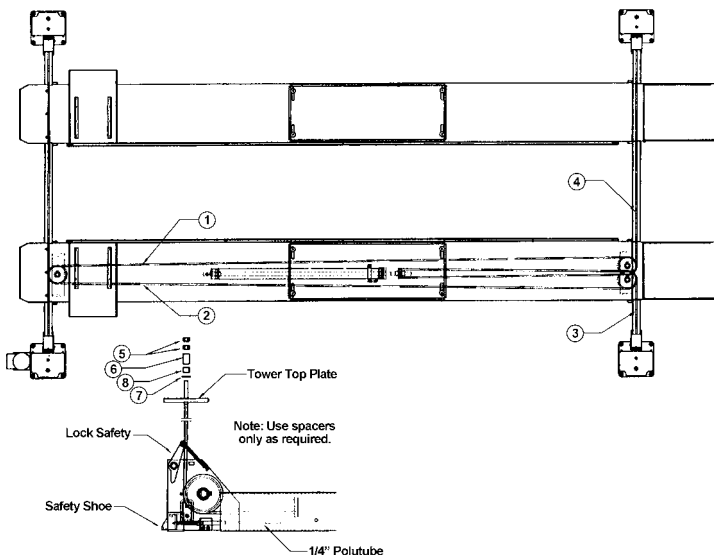
Kodiak, Model 18405AF (continued)



Hydraulic and Air Kit

Item	SVI part #	OEM #	Req	Description
1	BH-7802-31	6-0709	8	90° Elbow, 1/8" NPT x 1/4" Poly Tube
2	BH-7798-03	6-0651	4	Air Cylinder
3	BH-7804-15	6-1396	10'	1/4" Poly Tube
4	BH-7802-32	6-0710	3	Adapter, 3/8" Poly Tube x 1/4" NPT
5	BH-7802-33	6-0713	2	Terminal Bolt, 3/4"
6	BH-7801-31	6-0282	2	Plug, 1/4" NPT
7	BH-7800-62	6-0014	3	1/4" NPT Street Tee
8	BH-7800-63	6-0015	1	1/4" NPT Street Elbow
9	BH-7804-18	6-1400	10'	3/8" Poly Tube
10	BH-7804-53	6-1691	1	Flow Control
11	BH-7802-34	6-0714	4'	Hose Guard
12	BH-7804-55	6-1695	1	Power Pack 230V/1PH
13	BH-7804-54	6-1692	1	Hyd. Hose Assy., 3/8" JIC F, 16'
14	BH-7802-41	6-0731	3	Cable Tie
15	call	6-1095	2	Hex Nut, #8-32
16	BH-7805-100	6-0594	1	"Notice" Decal
17	BH-7802-67	6-0796	1	90° Elbow, 1/4" NPT M x 3/8" NPT F

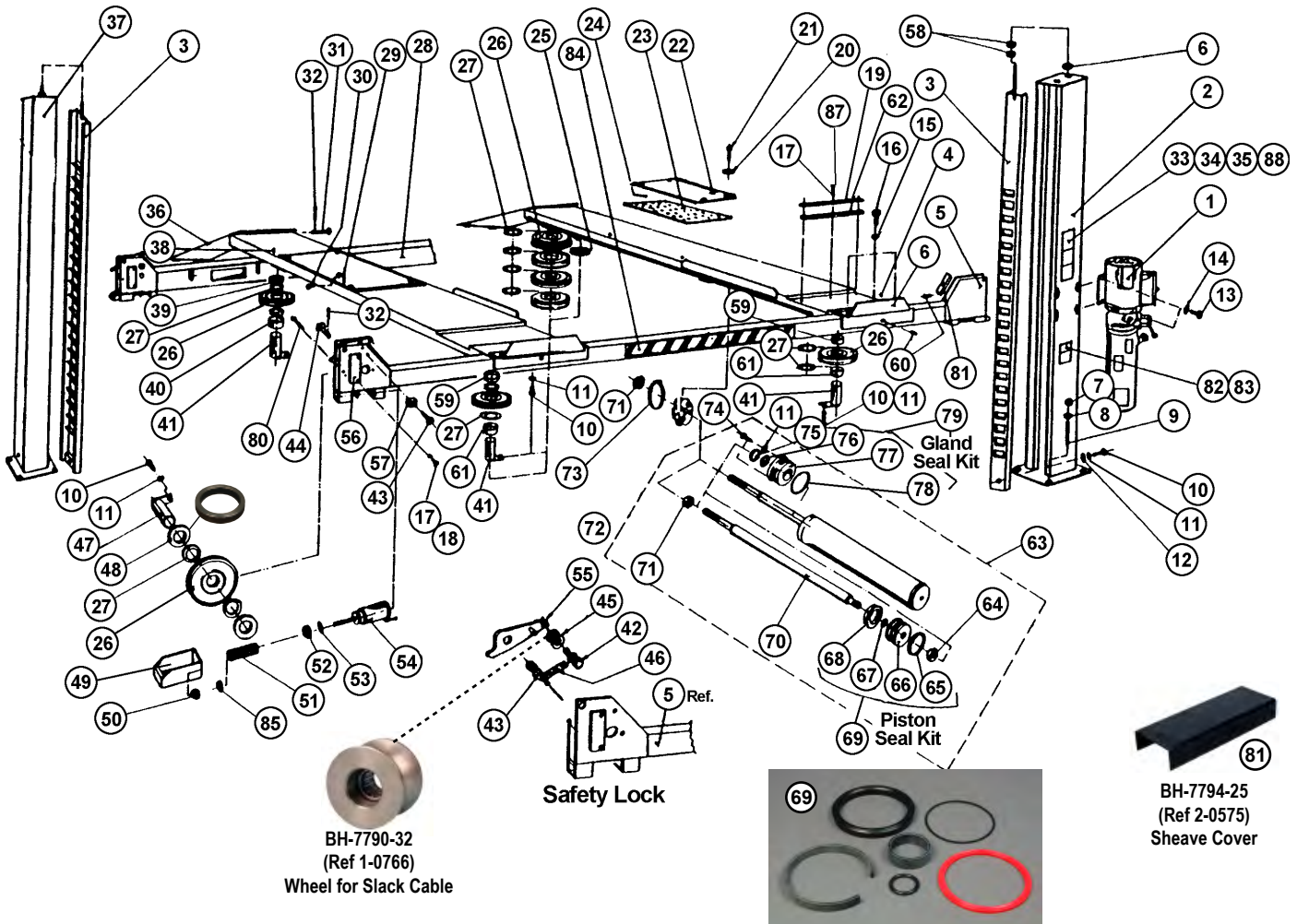
Item	SVI part #	OEM #	Req	Description
18	BH-7802-30	6-0708	3	Adpt, 1/4" Poly Tube x 1/8" NPT
19	BH-7805-119	6-1685	1	Air Valve
20	BH-7801-13	6-0180	1	Air Filter
21	BH-7790-86	0-0405	1	Air Valve Fitting Kit
22	BH-7804-50	6-1684	1	Velocity Fuse, 8 GPM
23	BH-7801-14	6-0182	1	Plug, 1/8" NPT
24	BH-7792-65	1-1057	2	Manifold
25	F-HC-0250-20-2000	6-0177	4	Hex Hd. Bolt, 1/4"-20 x 2"
26	F-HN-0250-20	6-0032	4	Hex Nut, 1/4"-20
27	F-LW-0250	6-0056	4	Lock Washer, 1/4"
28	call	6-1094	2	Phil. Hd. Screw, #8-32 x 1"
29	BH-7805-118	6-0593	1	"Lift Operation" Decal
30	BH-7801-30	6-0280	1	Adapter, 1/8" NPT M x 1/4" JIC M
31	BH-7805-120	0-0406	1	Air Valve Pushbutton Kit
32	BH-7798-06	6-0337	1	Recoil Hose
*	BH-7795-77	2-1394	1	Air Valve & Filter Assembly



Cable Routing

Item	SVI part #	OEM #	Req	Description
1	BH-7795-67	2-1360	1	Cable Assembly, 407.5" F.L.
2	BH-7795-68	2-1361	1	Cable Assembly, 473.5" F.R.
3	BH-7795-69	2-1362	1	Cable Assembly, 162" R.L.
4	BH-7795-70	2-1363	1	Cable Assembly, 228" R.R.
5	F-HN-0875-14	6-0724	8	Hex Nut, 7/8"-14 UNF, Gr. 8
6	BH-7792-29	1-0800	4	Cable Spacer, 2"
7	F-FW-0875-USS	6-0725	4	Flat Washer, 7/8"
8	BH-7792-30	1-0801	4	Cable Spacer, 1"

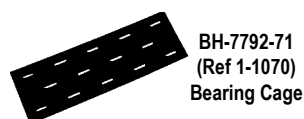
John Bean, Quatro 4-Post, Model 44110Q



Item	SVI part #	OEM #	Req	Description
1	BH-7801-91	6-0650	1	Power Pack, 220V/1PH
2	BH-7799-40	4-0186	1	Power Post
3	BH-7790-37	3-0487	4	Safety Rack
4	BH-7799-72	4-0357	1	Alignment Deck, L.H.
5	BH-7799-69	4-0342	1	Front Crossmember
6	BH-7795-02	2-0989	2	Front Wheel Stop
7	F-HN-0750-10	6-0737	16	Hex Nut, 3/4"-10
8	F-FW-0750-USS	6-0738	20	Flat Washer, 3/4"
9	BH-7802-42	6-0736	16	Wedge Anchor, 3/4" x 4-3/4"
10	F-HC-0375-16-1000	6-0668	12	Hex Hd. Bolt, 3/8"-16 x 1" Gr. 8
11	F-LW-0375	6-0058	14	Lock Washer, 3/8"
12	F-FW-0375-USS	6-0062	4	Flat Washer, 3/8"
13	F-HC-0312-18-0750	6-0423	4	Hex Hd. Bolt, 5/16"-18 x 3/4"
14	F-LW-0312	6-0672	4	Lock Washer, 5/16"
15	F-LW-0500	6-0059	6	Lock Washer, 1/2"
16	F-HC-0500-13-1000	6-0045	6	Hex Hd. Bolt, 1/2"-13 x 1"

Item	SVI part #	OEM #	Req	Description
17	F-LW-0250	6-0056	28	Lock Washer, 1/4"
18	F-HC-0250-20-0750	6-0178	16	Hex Hd. Bolt 1/4"-20 x 3/4"
19	BH-7794-35	2-0635	4	Retaining Bar
20	call	6-0426	8	Flat Washer, 13/32" x 2"
21	call	6-0069	8	Shoulder Bolt, 3/8" x 5/8"
22	BH-7797-12	3-0503	2	Rear Slip Plate
23	BH-7792-71	1-1070	2	Bearing Cage
24	BH-7790-35	6-0829	1	Ball Bearing Set
25	BH-7792-25	1-0787	1	1/2" Lg. Sheave Spacer
26	BH-7794-19	2-0557	11	Sheave Assembly
27	BH-7792-15	1-0757	19	Nylon Thrust Washer
28	BH-7799-68	4-0341	1	Rear Crossmember
29	BH-7794-37	2-0637	4	Locking Pin Assembly
30	call	6-0505	4	Self-Tap. Screw, #10 x 1/2"
31	BH-7791-19	1-0095	2	Ramp Pin
32	BH-7798-76	6-0115	6	Cotter Pin, 1/8" x 2"

continues on next page





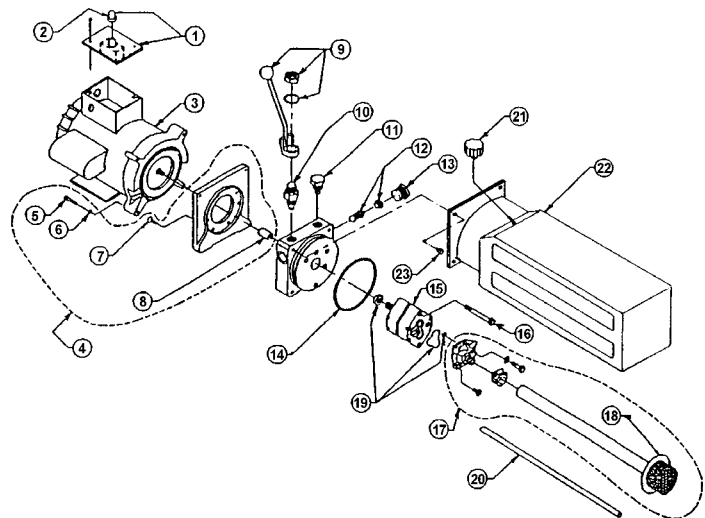
John Bean, Quatro 4-Post, Model 44110Q (continued)

Item	SVI part #	OEM #	Req	Description
33	BH-7805-97	6-0592	1	"Caution" Decal
34	BH-7805-115	6-0351	1	"Safety Instructions" Decal
35	BH-7805-96	6-0595	1	"Warning" Decal
36	BH-7797-11	3-0502	2	Approach Ramp
37	BH-7796-80	3-0347	3	Post
38	BH-7799-73	4-0358	1	Alignment Deck, R.H.
39	BH-7792-27	1-0798	1	Sheave Spacer, 2-1/2"
40	BH-7792-26	1-0788	1	Sheave Spacer, 1-1/2"
41	BH-7794-23	2-0566	4	Deck Sheave Pin
42	BH-7790-31	6-0801	4	Shoulder Bolt, 3/8" x 1-1/2"
43	call	6-0729	12	Shoulder Bolt, 3/8" x 3/4"
44	BH-7792-20	1-0769	4	Lock Safety Pin
45	BH-7790-32	1-0766	4	Cable Roller
46	BH-7792-19	1-0768	4	Tension Spring
47	BH-7792-21	1-0771	4	Crossmember Sheave Pin
48	BH-7792-24	1-0786	8	Sheave Spacer, 3/8"
49	BH-7790-38	2-0990	4	Safety Shoe Weldment
50	F-NL-0250-28	6-1563	4	Hex Nylon Locknut, 1/4"-28 UNF
51	BH-7792-18	1-0767	4	Compression Spring
52	F-HN-0625-18	6-0662	4	Hex Nut, 5/8"-18 UNF
53	call	6-0663	4	Intern. Tooth Lock Washer, 5/8"
54	BH-7798-03	6-0651	4	Air Cyl., 5-1/2" Rod Lg. (Spr-12)
55	BH-7794-24	2-0567	4	Safety Lock Weldment
56	BH-7792-22	1-0775	8	Plastic Bracket
57	BH-7792-23	1-0776	8	Plastic Guide
58	F-HN-0625-11	6-0036	8	Hex Nut, 5/8"-11, Gr. 8
59	BH-7792-28	1-0799	2	Sheave Spacer, 1-3/4"
60	F-SS-0500-13-1000	6-0726	8	Set Screw, 1/2"-13 x 1" Gr. 8

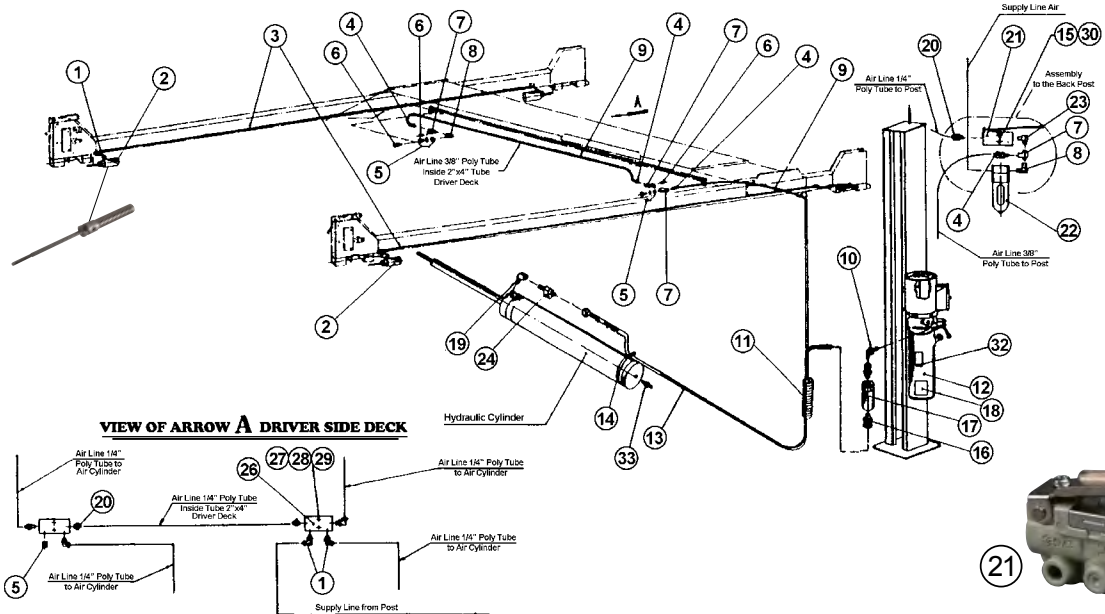
Item	SVI part #	OEM #	Req	Description
61	BH-7792-58	1-0943	2	Sheave Spacer, 2"
62	BH-7794-36	2-0636	4	Spacer Bar
63	BH-7797-88	4-0187	1	Hydraulic Cylinder
64	F-NL-0875-14	6-1160	1	Locknut, 7/8"-14UNF, Nylon, Inst.
65	BH-7800-55	6-0004	1	Wear Ring
66	BH-7794-21	2-0564	1	Piston
67	BH-7804-03	6-1305	1	"O" Ring
68	BH-7800-54	6-0003	1	Piston Seal
69	BH-7790-66	0-0169	1	Piston Seal Kit
70	BH-7794-22	2-0565	1	Piston Rod
71	call	6-0664	2	Hex Nut, 1"-14UNF-2A, Gr. 8
72	BH-7794-20	2-0561	1	Cable Flange
73	BH-7801-96	6-0665	1	Clamp
74	F-HC-0375-16-1250	6-0666	2	Hex Hd. Bolt, 3/8"-16 x 1-1/4" Gr. 8
75	BH-7801-92	6-0653	1	Rod Wiper
76	BH-7801-93	6-0654	1	Rod Seal
77	BH-7796-81	3-0348	1	Gland
78	BH-7801-94	6-0655	1	"O" Ring
79	BH-7790-67	0-0170	1	Gland Seal Kit
80	F-HC-0375-16-2750	6-0730	4	Hex Hd. Bolt, 3/8"-16 x 2-3/4"
81	BH-7794-25	2-0575	4	Sheave Cover
82	BH-7805-121	6-1114	1	Serial Tag
83	BH-7805-102	6-0996	1	"ALI/ETL" Tag
84	BH-7805-46	6-1125	2	"Caution" Tape (40" Lg.)
85	F-FW-0250-USS	6-0060	8	Flat Washer, 1/4"
87	F-HC-0250-20-1250	6-0027	12	Hex Hd. Bolt, 1/4"-20 x 1-1/4"
88	BH-7805-116	6-1637	1	"Attention" Decal

Power Pack

Item	SVI part #	OEM #	Req	Description
1	BH-7004-36	6-0881	1	Small Microswitch - New Style
2	BH-7803-68	6-1084	1	Microswitch Boot
3	BH-7802-53	6-0773	1	Motor 230 V AC, 1 PH. 60 Hz.
4	BH-7805-14	0-0197	1	Motor Adapter Kit
5	F-SC-0250-20-1625	6-1085	4	Socket Hd. Capscrew, 1/4"-20 x 1-5/8"
6	F-LW-0250	6-0056	4	Lock Washer, 1/4"
7	BH-7806-25	6-1086	4	Allen Hd. Flat Screw 1/4" x 3/4"
8	BH-7802-54	6-0774	1	Coupling
9	BH-7802-56	6-0776	1	Release Bracket & Handle Assembly
10	BH-7802-92	6-0880	1	Valve Cartridge Release
11	BH-7803-69	6-1087	1	Valve Cartridge Check
12	BH-7804-04	6-1317	1	Fixed Relief Valve (RV17)
13	BH-7803-71	6-1089	1	Relief Valve Cap
14	BH-7802-87	6-0875	1	Reservoir "O" Ring
15	BH-7802-60	6-0782	1	Pump Assembly
16	BH-7803-72	6-1090	2	Pump Mounting Bolt
17	BH-7790-76	0-0198	1	Inlet Plumbing Kit
18	BH-7802-64	6-0786	1	Inlet Hose/Filter Assembly
19	BH-7790-77	0-0199	1	Pump "O" Ring Kit
20	BH-7802-61	6-0783	1	Return Tube
21	BH-7802-62	6-0784	1	Breather-Filler Cap
22	BH-7802-63	6-0785	1	Reservoir
23	BH-7803-73	6-1091	4	Reservoir Screw



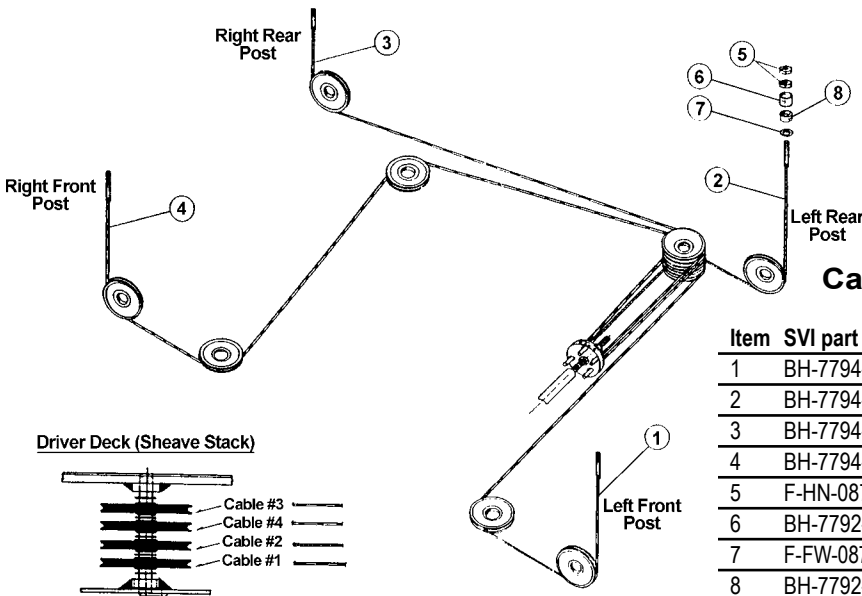
John Bean, Quatro 4-Post, Model 44110Q (continued)



Hydraulics

Item	SVI part #	OEM #	Req	Description
1	BH-7802-31	6-0709	8	90° Elbow, 1/8" NPT x 1/4" Poly Tube
2	BH-7798-03	6-0651	4	Air Cylinder
3	BH-7802-28	6-0706	50'	1/4" Poly Tube
4	BH-7802-32	6-0710	4	Adapter, 3/8" Poly Tube x 1/4" NPT
5	BH-7802-33	6-0713	2	Terminal bolt, 3/4"
6	BH-7801-31	6-0282	2	Plug, 1/4" NPT
7	BH-7800-62	6-0014	4	1/4" NPT Street Tee
8	BH-7800-63	6-0015	2	1/4" NPT Street Elbow
9	BH-7802-29	6-0707	25'	3/8" Poly Tube
10	BH-7798-45	6-0804	1	90° Adapter, 3/8" JIC M x 9/16"-18M
11	BH-7802-34	6-0714	4'	Hose Guard
12	BH-7801-91	6-0650	1	Power pack, 230V/1PH
13	BH-7802-35	6-0715	1	Hyd. Hose Assy., 3/8" Swivel x 3/8" JICM, 147"
14	BH-7802-41	6-0731	3	Cable Tie
15	call	6-1095	2	Hex Nut, #8-32
16	BH-7802-68	6-0797	2	Adapter, 3/8" NPT M x 3/8" JIC F Swivel

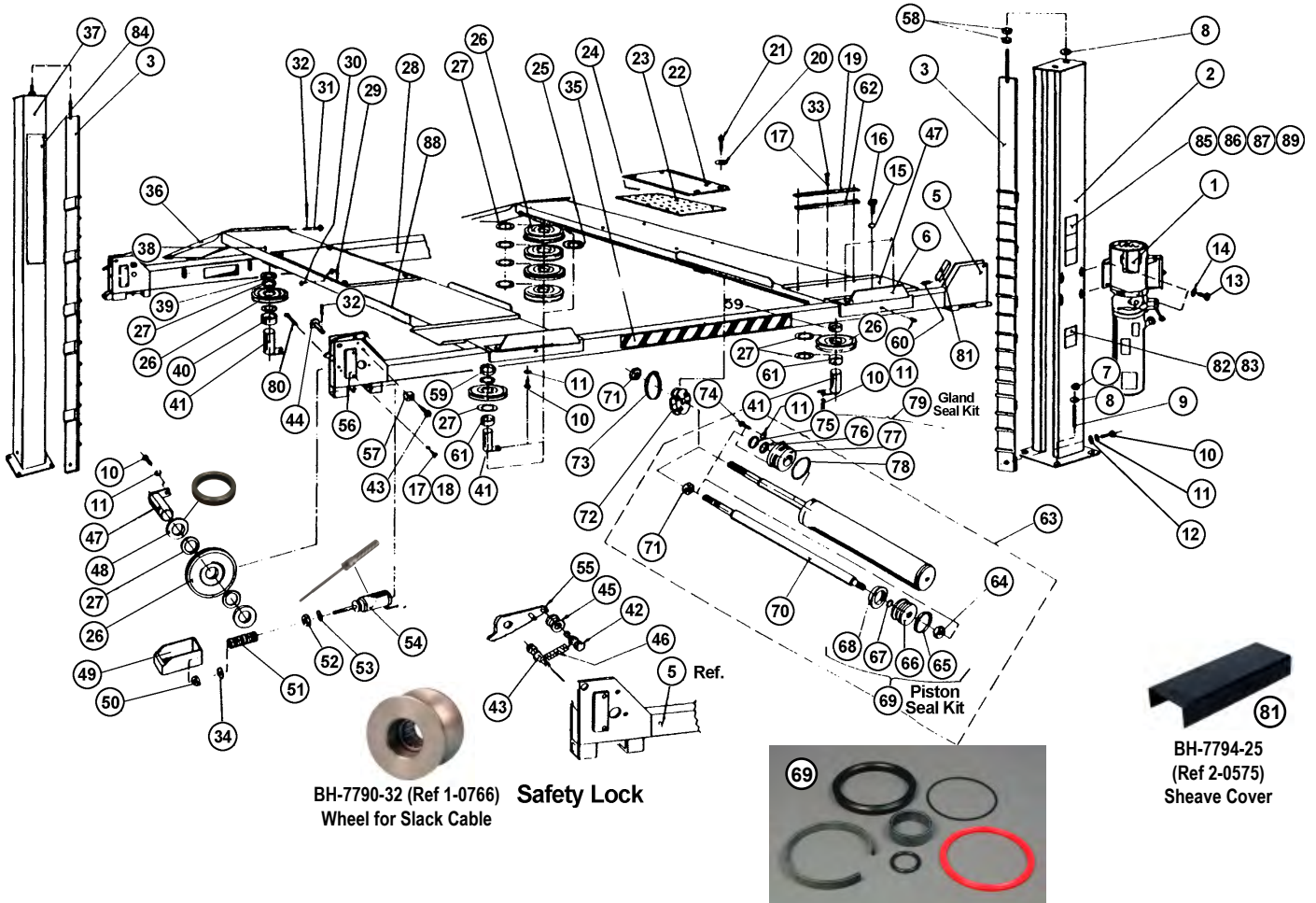
Item	SVI part #	OEM #	Req	Description
17	BH-7800-74	6-0090	1	Flow Control
18	BH-7805-100	6-0594	1	"Notice" Decal
19	BH-7802-66	6-0796	1	90° Elbow, 1/4" NPT M x 3/8" NPT F
20	BH-7802-30	6-0708	4	Adapter, 1/4" Poly Tube x 1/8" NPT
21	BH-7802-36	6-0717	1	Air Valve
22	BH-7801-13	6-0180	1	Air Filter
23	BH-7802-37	6-0718	1	90° Reducer, 1/4" NPT M x 1/8" NPT M
24	BH-7790-20	6-0025	1	Velocity Fuse
25	BH-7801-14	6-0182	1	Plug, 1/8" NPT
26	BH-7792-65	1-1057	2	Manifold
27	F-HC-0250-20-1500	6-0205	4	Hex Hd. Capscrew, 1/4"-20 x 1-1/2"
28	F-HN-0250-20	6-0032	4	Hex Nut, 1/4"-20
29	F-LW-0250	6-0056	4	Lock Washer, 1/4"
30	call	6-1094	2	Phil. Hd. Screw, #8-32 x 1"
32	BH-7805-118	6-0593	1	"Lift Operation" Decal
33	BH-7801-30	6-0280	1	Adapter, 1/8" NPT M x 1/4" JIC M



Cable Routing

Item	SVI part #	OEM #	Req	Description
1	BH-7794-91	2-0943	1	Cable Assembly, 314" Lg. L.F.
2	BH-7794-92	2-0944	1	Cable Assembly, 144" Lg. L.R.
3	BH-7794-93	2-0945	1	Cable Assembly, 194" Lg. R.R.
4	BH-7794-94	2-0946	1	Cable Assembly, 361" Lg. R.F.
5	F-HN-0875-14	6-0724	8	Hex Nut, 7/8"-14 UNF Gr. 8
6	BH-7792-29	1-0800	4	Cable Spacer, 2"
7	F-FW-0875-USS	6-0725	4	Flat Washer, 7/8"
8	BH-7792-30	1-0801	4	Cable Spacer, 1"

Quad Rack 10,000 Series, Model 10404



BH-7790-32 (Ref 1-0766) **Safety Lock Wheel for Slack Cable**

BH-7794-25 (Ref 2-0575) **Sheave Cover**



P
a
g
e

Item	SVI part #	OEM #	Req	Description
1	BH-7801-91	6-0650	1	Power Pack, 230V/1 PH
2	BH-7799-40	4-0186	1	Power Post
3	BH-7799-43	4-0191	4	Safety Rack
4*	BH-7799-51	4-0222	1	Alignment Deck, L.H.
5	BH-7799-42	4-0190	1	Front Crossmember
6	BH-7795-04	2-0998	2	Front Wheel Stop
7	F-HN-0750-10	6-0737	16	Hex Nut, 3/4"-10
8	F-FW-0750-USS	6-0738	20	Flat Washer, 3/4"
9	BH-7802-42	6-0736	16	Wedge Anchor, 3/4"-10 x 4-3/4"
10	F-HC-0375-16-1000	6-0668	12	Hex Hd. Bolt, 3/8"-16 x 1" Gr. 8
11	F-LW-0375	6-0058	14	Lock Washer, 3/8"
12	F-FW-0375-USS	6-0062	8	Flat Washer, 3/8"
13	F-HC-0312-18-0750	6-0423	4	Hex Hd. Bolt, 5/16"-18 x 3/4"
14	F-LW-0312	6-0674	4	Lock Washer, 5/16"
15	F-LW-0500	6-0059	6	Lock Washer, 1/2"
16	F-HC-0500-13-1000	6-0045	6	Hex Hd. Bolt, 1/2"-13 x 1"
17	F-LW-0250	6-0056	28	Lock Washer, 1/4"

Item	SVI part #	OEM #	Req	Description
18	F-HC-0250-20-0750	6-0178	16	Hex Hd. Bolt., 1/4"-20 x 3/4"
19	BH-7805-44	2-1041	4	Retaining Bar
20	call	6-0426	8	Flat Washer, 13/32" x 2"
21	call	6-0069	8	Shoulder Bolt, 3/8" x 5/8"
22	BH-7796-49	3-0197	2	Rear Slip Plate
23	BH-7790-34	3-0196	2	Bearing Cage
24	BH-7790-35	6-0829	1 set	Ball Bearing
25	BH-7792-25	1-0787	1	1/2" Lg. Sheave Spacer
26	BH-7794-19	2-0557	11	Sheave Assembly
27	BH-7792-15	1-0757	21	Nylon Thrust Washer
28	BH-7799-41	4-0188	1	Rear Crossmember
29	BH-7794-37	2-0637	4	Locking Pin Assembly
30	call	6-0505	4	Self-Tap. Screw, #10 x 1/2"
31	BH-7791-19	1-0095	2	Ramp Pin
32	BH-7798-76	6-0015	6	Cotter Pin, 1/8" x 2"

continues on next page



Quad Rack 10,000 Series, Model 10404 (continued)

Item	SVI part #	OEM #	Req	Description
33	F-HC-0250-20-1250	6-0027	12	Hex Hd. Bolt, 1/4"-20 x 1-1/4"
34	call	6-0060	8	Flat Washer, 1/4"
35	BH-7805-46	6-1125	2	"Caution" Tape
36	BH-7796-61	3-0285	2	Approach Ramp
37	BH-7796-80	3-0347	3	Post
38**	BH-7799-50	4-0221	1	Alignment Deck, R.H.
39	BH-7792-27	1-0798	1	Sheave Spacer, 2-1/2"
40	BH-7792-26	1-0788	1	Sheave Spacer 1-1/2"
41	BH-7794-23	2-0566	4	Deck Sheave Pin
42	BH-7790-31	6-0801	4	Shoulder Bolt, 3/8" x 1-1/2"
43	call	6-0729	12	Shoulder Bolt, 3/8" x 3/4"
44	BH-7792-20	1-0769	4	Lock Safety Pin
45	BH-7790-32	1-0766	4	Cable Roller
46	BH-7792-19	1-0768	4	Tension Spring
47	BH-7792-21	1-0771	4	Crossmember Sheave Pin
48	BH-7792-24	1-0786	8	Sheave Spacer
49	BH-7805-45	2-0890	4	Safety Shoe Weldment
50	F-HL-0250-28	6-1563	4	Hex Nylon Locknut, 1/4"-28 UNF
51	BH-7792-18	1-0767	4	Compression Spring
52	F-HN-0625-18	6-0662	4	Hex Nut, 5/8"-18 UNF
53	call	6-0663	4	Intern. Tooth Lockwasher, 5/8"
54	BH-7798-03	6-0651	4	Air Cyl., 5-1/2" Rod Lg. (Spr-12)
55	BH-7794-24	2-0567	4	Safety Lock Weldment
56	BH-7792-22	1-0775	8	Plastic Bracket
57	BH-7792-23	1-0776	8	Plastic Guide
58	F-HN-0625-11	6-0036	8	Hex Nut, 5/8"-11, Gr. 8
59	BH-7792-28	1-0799	2	Sheave Spacer, 1-3/4"
60	F-SS-0500-13-1000	6-0726	8	Set Screw, 1/2"-13 x 1" Gr. 8
61	BH-7792-58	1-0943	2	Sheave Spacer, 2"
62	BH-7794-73	2-0843	4	Spacer Bar
63	BH-7797-88	4-0187	1	Hydraulic Cylinder

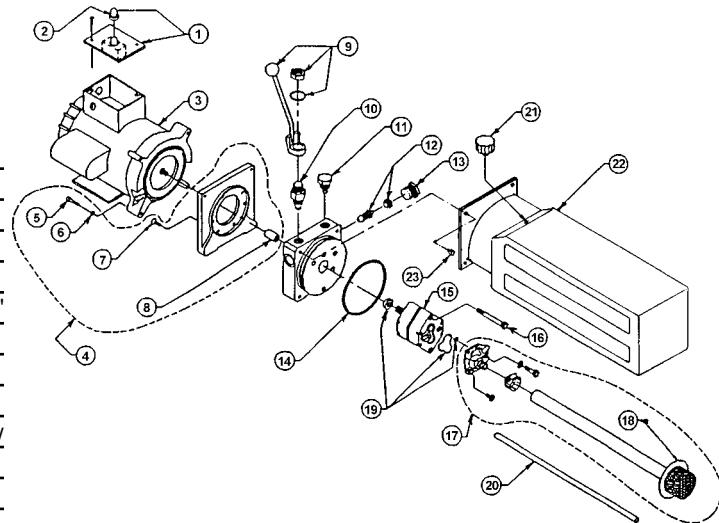
Item	SVI part #	OEM #	Req	Description
64	F-LN-0875-14	6-1160	1	Locknut, 7/8"-14 UNF
65	BH-7800-55	6-0004	1	Wear Ring
66	BH-7794-21	2-0564	1	Piston
67	BH-7804-03	6-1305	1	"O" Ring
68	BH-7800-54	6-0003	1	Piston Seal
69	BH-7790-66	0-0169	1	Piston Seal Kit
70	BH-7794-22	2-0565	1	Piston Rod
71	call	6-0664	2	Hex Nut, 1"-14UNF-2A, Gr. 8
72	BH-7794-20	2-0561	1	Cable Flange
73	BH-7801-96	6-0665	1	Clamp
74	call	6-0666	2	Hex Hd. Bolt, 3/8"-16
75	BH-7801-92	6-0653	1	Rod Wiper
76	BH-7801-93	6-0654	1	Rod Seal
77	BH-7796-81	3-0348	1	Gland
78	BH-7801-94	6-0655	1	"O" Ring
79	BH-7790-67	0-0170	1	Gland Seal Kit
80	F-HC-0375-16-2750	6-0730	4	Hex Hd. Bolt, 3/8"-16 x 2-3/4"
81	BH-7794-25	2-0575	4	Sheave Cover
82	BH-7805-121	6-1114	1	Serial Tag
83	BH-7805-102	6-0996	1	"ALI/ETL" Tag
84	BH-7805-122	6-0658	2	"Wheeltronic" Decal
85	BH-7805-97	6-0592	1	"Caution" Decal
86	BH-7805-115	6-0351	1	"Safety Instructions" Decal
87	BH-7805-96	6-0595	1	"Warning" Decal
88	BH-7805-123	6-0817	2	"Quad Rack 10,000" Decal (Red)
89	BH-7805-116	6-1637	1	"Attention" Decal

For Model 10400

*	BH-7799-60	4-0272	1	Service Deck, L.H.
**	BH-7799-63	4-0305	1	Service Deck, R.H.

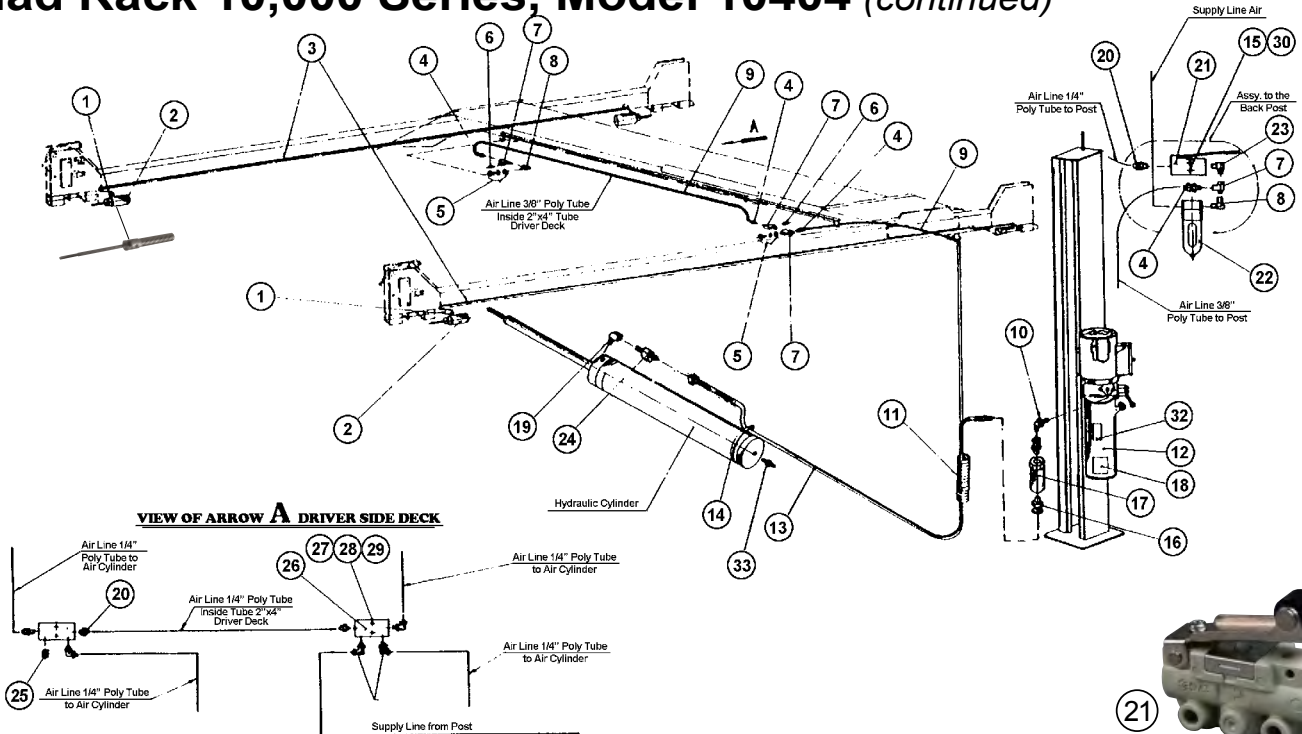
Power Pack

Item	SVI part #	OEM #	Req	Description
1	BH-7004-36	6-0881	1	Small Microswitch - New Style
2	BH-7803-68	6-1084	1	Microswitch Boot
3	BH-7802-53	6-0773	1	Motor 230V AC, 1 PH, 60 Hz.
4	BH-7805-14	0-0197	1	Motor Adapter Kit
5	F-SC-0250-20-1625	6-1085	4	Socket Hd. Capscrew, 1/4"-20 x 1-5/8"
6	F-LW-0250	6-0056	4	Lock Washer 1/4"
7	BH-7806-25	6-1086	4	Allen Hd. Flatscrew, 1/4"-20 x 3/4"
8	BH-7802-54	6-0774	1	Coupling
9	BH-7802-56	6-0776	1	Release Bracket & Handle Assembly
10	BH-7802-92	6-0880	1	Valve Cartridge Release
11	BH-7803-69	6-1087	1	Valve Cartridge Check
12	BH-7804-04	6-1317	1	Fixed Relief Valve (RV 17)
13	BH-7803-71	6-1089	1	Relief Valve Cap
14	BH-7802-87	6-0875	1	Reservoir "O" Ring
15	BH-7802-60	6-0782	1	Pump Assembly
16	BH-7803-72	6-1090	2	Pump Mounting Bolt
17	BH-7790-76	0-0198	1	Inlet Plumbing Kit
18	BH-7802-64	6-0786	1	Inlet Hose/Filter Assembly



Item	SVI part #	OEM #	Req	Description
19	BH-7790-77	0-0199	1	Pump "O" Ring Kit
20	BH-7802-61	6-0783	1	Return Tube
21	BH-7802-62	6-0784	1	Breather-Filler Cap
22	BH-7802-63	6-0785	1	Reservoir
23	BH-7803-73	6-1091	4	Reservoir Screw

Quad Rack 10,000 Series, Model 10404 (continued)

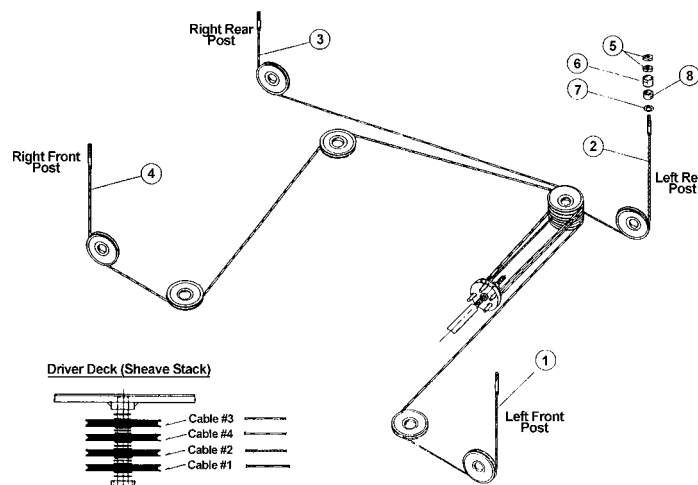


Hydraulics

Item	SVI part #	OEM #	Req	Description
1	BH-7802-31	6-0709	8	90° Elbow, 1/8" NPT x 1/4" Poly Tube
2	BH-7798-03	6-0651	4	Air Cylinder
3	BH-7802-28	6-0706	50'	1/4" Poly Tube
4	BH-7802-32	6-0710	4	Adapter, 3/8" Poly Tube x 1/4" NPT
5	BH-7802-33	6-0713	2	Terminal Bolt, 3/4"
6	BH-7801-31	6-0282	2	Plug, 1/4" NPT
7	BH-7800-62	6-0014	4	1/4" NPT Street Tee
8	BH-7800-63	6-0015	2	1/4" NPT Street Elbow
9	BH-7802-29	6-0707	25'	3/8" Dia. Poly Tube
10	BH-7798-45	6-0804	1	90° Adapter, 3/8" JIC M x 9/16"-18M
11	BH-7802-34	6-0714	4'	Hose Guard
12	BH-7801-91	6-0650	1	Power pack, 230V/1PH
13	BH-7802-35	6-0715	1	Hydraulic Hose Assembly, 3/8"
14	BH-7802-41	6-0731	3	Cable Tie
15	call	6-1095	2	Hex Nut, #8-32
16	BH-7802-68	6-0797	2	Adapter, 3/8" NPT M x 3/8" JIC F Swivel

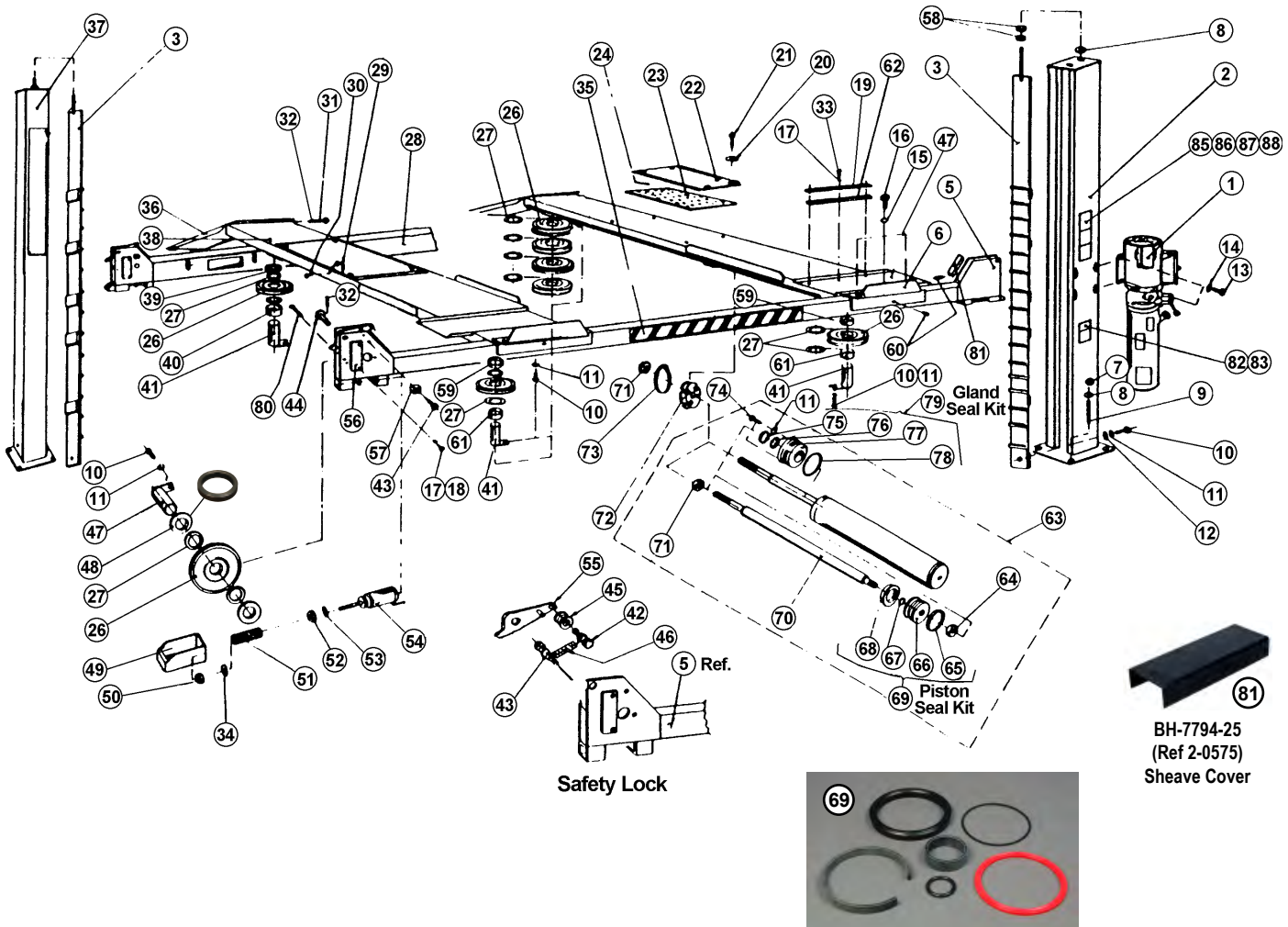
Item	SVI part #	OEM #	Req	Description
17	BH-7800-74	6-0090	1	Flow Control
18	BH-7805-100	6-0594	1	"Notice" Decal
19	BH-7802-67	6-0796	1	90° Elbow, 1/4" NPT M x 3/8" NPT F
20	BH-7802-30	6-0708	4	Adapter, 1/4" Poly Tube x 1/8" NPT
21	BH-7802-36	6-0717	1	Air Valve
22	BH-7801-13	6-0180	1	Air Filter
23	BH-7802-37	6-0718	1	90° Reducer, 1/4" NPT M x 1/8" NPT F
24	BH-7790-20	6-0025	1	Velocity Fuse
25	BH-7801-14	6-0182	1	Plug, 1/8" NPT
26	BH-7792-65	1-1057	2	Manifold
27	F-HC-0250-20-1500	6-0205	4	Hex. Hd. Capscrew, 1/4"-20 x 1-1/2"
28	F-HN-0250-20	6-0032	4	Hex Nut, 1/4"-20
29	F-LW-0250	6-0056	4	Lock Washer, 1/4"
30	call	6-1094	2	Phil. Hd. Screw, #8-32 x 1"
32	BH-7805-118	6-0593	1	"Lift Operation" Decal
33	BH-7801-30	6-0280	1	Adapter, 1/8" NPT M x 1/4" JIC M

Cable Routing



Item	SVI part #	OEM #	Req	Description
1	BH-7794-38	2-0643	1	Cable Assembly, 318" Lg. L.F.
2	BH-7794-39	2-0644	1	Cable Assembly, 151" Lg. L.R.
3	BH-7794-40	2-0645	1	Cable Assembly, 203" Lg. R.R.
4	BH-7794-41	2-0646	1	Cable Assembly, 367" Lg. R.F.
5	F-HN-0875-14	6-0724	8	Hex Nut, 7/8"-14 UNF Gr. 8
6	BH-7792-29	1-0800	4	Cable Spacer, 2"
7	F-FW-0875-USS	6-0725	4	Flat Washer, 7/8"
8	BH-7792-30	1-0801	4	Cable Spacer, 1"

Quad Rack 12,000 Series



Safety Lock

BH-7794-25
(Ref 2-0575)
Sheave Cover



Item	SVI part #	OEM #	Req	Description
1	BH-7801-91	6-0650	1	Power Pack, 230V/1PH
2	BH-7799-40	4-0186	1	Power Post
3	BH-7799-43	4-0191	4	Safety Rack
4*	BH-7799-38	4-0183	1	Alignment Deck, L.H.
5	BH-7799-42	4-0190	1	Front Crossmember
6	BH-7795-04	2-0998	2	Front Wheel Stop
7	F-HN-0750-10	6-0737	16	Hex Nut, 3/4"-10
8	F-FW-0750-USS	6-0738	20	Flat Washer, 3/4"
9	BH-7802-42	6-0736	16	Wedge Anchor, 3/4"-10 x 4-3/4"
10	F-HC-0375-16-1000	6-0668	12	Hex Hd. Bolt, 3/8"-16 x 1" Gr. 8
11	F-LW-0375	6-0058	14	Lock Washer, 3/8"
12	F-FW-0375-USS	6-0062	8	Flat Washer, 3/8"
13	F-HC-0312-18-0750	6-0423	4	Hex Hd. Bolt, 5/16"-18 x 3/4"
14	F-LW-0312	6-0674	4	Lock Washer, 5/16"
15	F-LW-0500	6-0059	6	Lock Washer, 1/2"
16	F-HC-0500-13-1000	6-0045	6	Hex Hd. Bolt, 1/2"-13 x 1"

Item	SVI part #	OEM #	Req	Description
17	F-LW-0250	6-0056	28	Lock Washer, 1/4"
18	F-HC-0250-20-0750	6-0178	16	Hex Hd. Bolt, 1/4"-20 x 3/4"
19	BH-7805-44	2-1041	4	Retaining Bar
20	call	6-0426	8	Flat Washer, 13/32" x 2"
21	call	6-0069	8	Shoulder Bolt, 3/8" x 5/8"
22	BH-7796-49	3-0197	2	Rear Slip Plate
23	BH-7790-34	3-0196	2	Bearing Cage
24	BH-7790-35	6-0829	1 set	Ball Bearing
26	BH-7794-19	2-0557	11	Sheave Assembly
27	BH-7792-15	1-0757	21	Nylon Thrust Washer
28	BH-7799-41	4-0188	1	Rear Crossmember
29	BH-7794-37	2-0637	4	Locking Pin Assembly
30	call	6-0505	4	Self-Tap. Screw, #10 x 1/2"
31	BH-7791-19	1-0095	2	Ramp Pin
32	BH-7798-76	6-0115	6	Cotter Pin, 1/8" x 2"

continues on next page

Page

Quad Rack 12,000 Series (continued)

Item	SVI part #	OEM #	Req	Description
33	F-HC-0250-20-1250	6-0027	12	Hex Hd. Bolt, 1/4"-20 x 1-1/4"
34	call	6-0060	8	Flat Washer, 1/4"
35	BH-7805-46	6-1125	2	"Caution" Tape (40")
36	BH-7796-61	3-0285	2	Approach Ramp
37	BH-7796-80	3-0347	3	Post
38**	BH-7799-39	4-0184	1	Alignment Deck, R.H.
39	BH-7792-27	1-0798	1	Sheave Spacer, 2-1/2"
40	BH-7792-26	1-0788	1	Sheave Spacer, 1-1/2"
41	BH-7794-23	2-0566	4	Deck Sheave Pin
42	BH-7790-31	6-0801	4	Shoulder Bolt, 3/8" x 1-1/2"
43	call	6-0729	12	Shoulder Bolt, 3/8" x 3/4"
44	BH-7792-20	1-0769	4	Lock Safety Pin
45	BH-7790-32	1-0766	4	Cable Roller
46	BH-7792-19	1-0768	4	Tension Spring
47	BH-7792-21	1-0771	4	Crossmember Sheave Pin
48	BH-7792-24	1-0786	8	Sheave Spacer, 13/32"
49	BH-7805-45	2-0890	4	Safety Shoe Weldment
50	F-NL-0250-28	6-1563	4	Hex Nylon Locknut, 1/4"-28 UNF
51	BH-7792-18	1-0767	4	Compression Spring
52	F-HN-0625-18	6-0662	4	Hex Nut, 5/8"-18 UNF
53	call	6-0663	4	Intern. Tooth Lock Washer, 5/8"
54	BH-7798-03	6-0651	4	Air Cylinder, 5-1/2" Rod Lg. (Spr-12)
55	BH-7794-24	2-0567	4	Safety Lock
56	BH-7792-22	1-0775	8	Plastic Bracket
57	BH-7792-23	1-0776	8	Plastic Guide
58	F-HN-0625-11	6-0036	8	Hex Nut, 5/8"-11, Gr. 8
59	BH-7792-28	1-0799	2	Sheave Spacer, 1-3/4"
60	F-SS-0500-13-1000	6-0726	8	Set Screw, 1/2"-13 x 1" Gr. 8
61	BH-7792-58	1-0943	2	Sheave Spacer, 1-3/4"
62	BH-7794-73	2-0843	4	Spacer Bar
63	BH-7797-88	4-0187	1	Hydraulic Cylinder

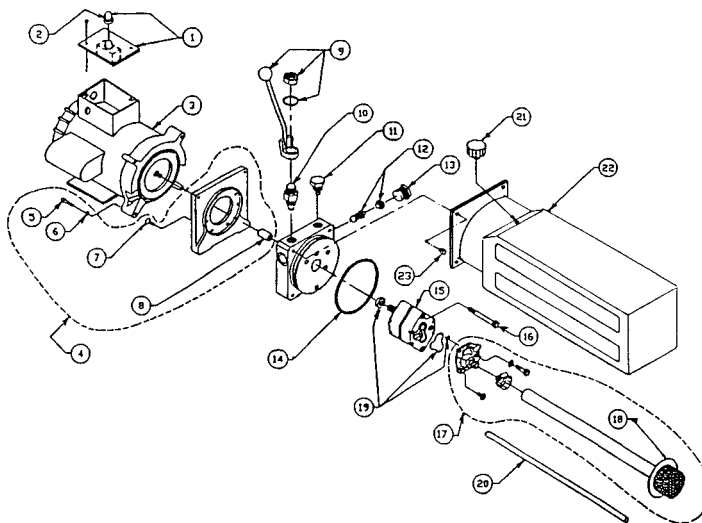
Item	SVI part #	OEM #	Req	Description
64	F-LN-0875-14	6-1160	1	Lock Nut, 7/8"-14 UNF
65	BH-7800-55	6-0004	1	Wear Ring
66	BH-7794-21	2-0564	1	Piston
67	BH-7804-03	6-1305	1	"O" Ring
68	BH-7800-54	6-0003	1	Piston Seal
69	BH-7790-66	0-0169	1	Piston Seal Kit
70	BH-7794-22	2-0565	1	Piston Rod
71	call	6-0664	2	Hex Nut, 1"-14UNF-2A, Gr. 8
72	BH-7794-20	2-0561	1	Cable Flange
73	BH-7801-96	6-0665	1	Clamp
74	F-HC-0375-16-12506-0666	2	Hex Hd. Bolt, 3/8"-16 x 1-1/4" Gr. 8	
75	BH-7801-92	6-0653	1	Rod Wiper
76	BH-7801-93	6-0654	1	Rod Seal
77	BH-7796-81	3-0348	1	Gland
78	BH-7801-94	6-0655	1	"O" Ring
79	BH-7790-67	0-0170	1	Gland Seal Kit
80	call	6-0730	4	Hex Hd. Bolt, 3/8"-16 x 2-3/4"
81	BH-7794-25	2-0575	4	Sheave Cover
82	BH-7805-124	6-1115	1	Serial Tag
83	BH-7805-102	6-0996	1	"ALI/ETL" Tag
85	BH-7805-97	6-0592	1	"Caution" Decal
86	BH-7805-115	6-0351	1	"Safety Instructions" Decal
87	BH-7805-96	6-0595	1	"Warning" Decal
88	BH-7805-116	6-1637	1	"Attention" Decal

For Service Model

*	BH-7799-44	4-0195	1	Service Deck, L.H.
**	BH-7799-45	4-0196	1	Service Deck, R.H.

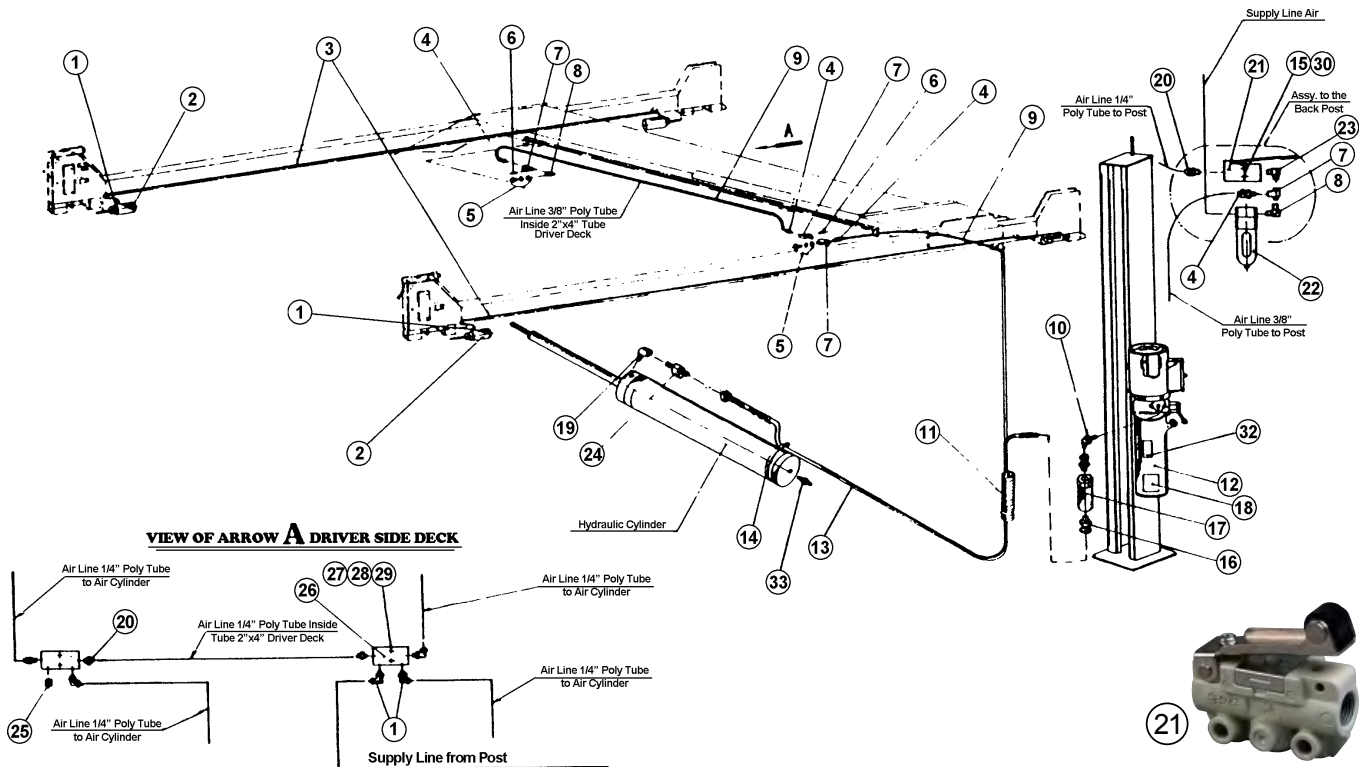
Power Pack

Item	SVI part #	OEM #	Req	Description
1	BH-7004-36	6-0881	1	Small Microswitch - New Style
2	BH-7803-68	6-1084	1	Microswitch Boot
3	BH-7802-53	6-0773	1	Motor 230V AC, 1 PH, 60 Hz.
4	BH-7805-14	0-0197	1	Motor Adpater Kit
5	F-SC-0250-20-1625	6-1085	4	Skt. Hd. Capscrew, 1/4"-20 x 1-5/8"
6	F-LW-0250	6-0056	4	Lock Washer, 1/4"
7	BH-7806-25	6-1086	4	Allen Hd. Flat Screw, 1/4"-20 x 3/4"
8	BH-7802-54	6-0774	1	Coupling
9	BH-7802-56	6-0776	1	Release Bracket & Handle Assembly
10	BH-7802-92	6-0880	1	Valve Cartridge Release
11	BH-7803-69	6-1087	1	Valve Cartridge Check
12	BH-7804-04	6-1317	1	Fixed Relief Valve (RV17)
13	BH-7803-71	6-1089	1	Relief Valve Cap
14	BH-7802-87	6-0875	1	Reservoir "O" Ring
15	BH-7802-60	6-0782	1	Pump Assembly
16	BH-7803-72	6-1090	2	Pump Mounting Bolt
17	BH-7790-76	0-0198	1	Inlet Plumbing Kit
18	BH-7802-64	6-0786	1	Inlet Hose/Filter Assembly



Item	SVI part #	OEM #	Req	Description
19	BH-7790-77	0-0199	1	Pump "O" Ring Kit
20	BH-7802-61	6-0783	1	Return Tube
21	BH-7802-62	6-0784	1	Breather Filler Cap
22	BH-7802-63	6-0785	1	Reservoir
23	BH-7803-73	6-1091	4	Reservoir Screw

Quad Rack 12,000 Series (continued)



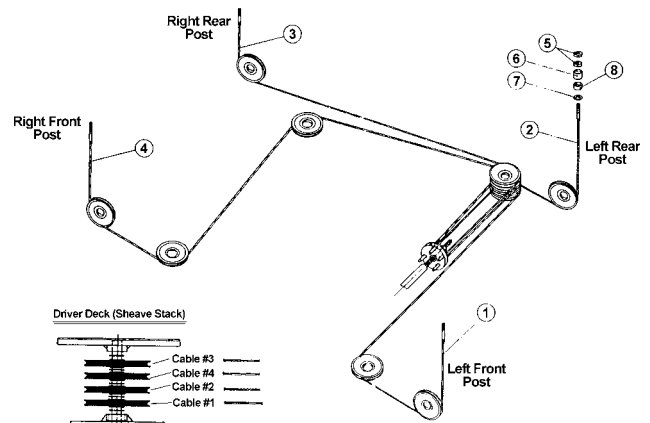
Hydraulics

Item	SVI part #	OEM #	Req	Description
1	BH-7802-31	6-0709	8	90° Elbow, 1/8" NPT x 1/4" Poly Tube
2	BH-7798-03	6-0651	4	Air Cylinder
3	BH-7802-28	6-0706	50'	1/4" Poly Tube
4	BH-7802-32	6-0710	4	Adapter, 3/8" Poly Tube x 1/4" NPT
5	BH-7802-33	6-0713	2	Terminal Bolt, 3/4"
6	BH-7801-31	6-0282	2	Plug, 1/4" NPT
7	BH-7800-62	6-0014	4	1/4" NPT Street Tee
8	BH-7800-63	6-0015	2	1/4" NPT Street Elbow
9	BH-7802-29	6-0707	25'	3/8" Poly Tube
10	BH-7798-45	6-0804	1	90° Adapter, 3/8" JIC M x 9/16"-18 M
11	BH-7802-34	6-0714	4'	Hose Guard
12	BH-7801-91	6-0650	1	Power Pack, 230V/1PH
13	BH-7802-35	6-0715	1	Hyd. Hose Assy, 3/8" Swivel x 3/8" JIC M, 147"
14	BH-7802-41	6-0731	3	Cable Tie
15	call	6-1095	2	Hex Nut, #8-32
16	BH-7802-68	6-0797	2	Adapter, 3/8" NPT M x 3/8" JIC F, Swivel

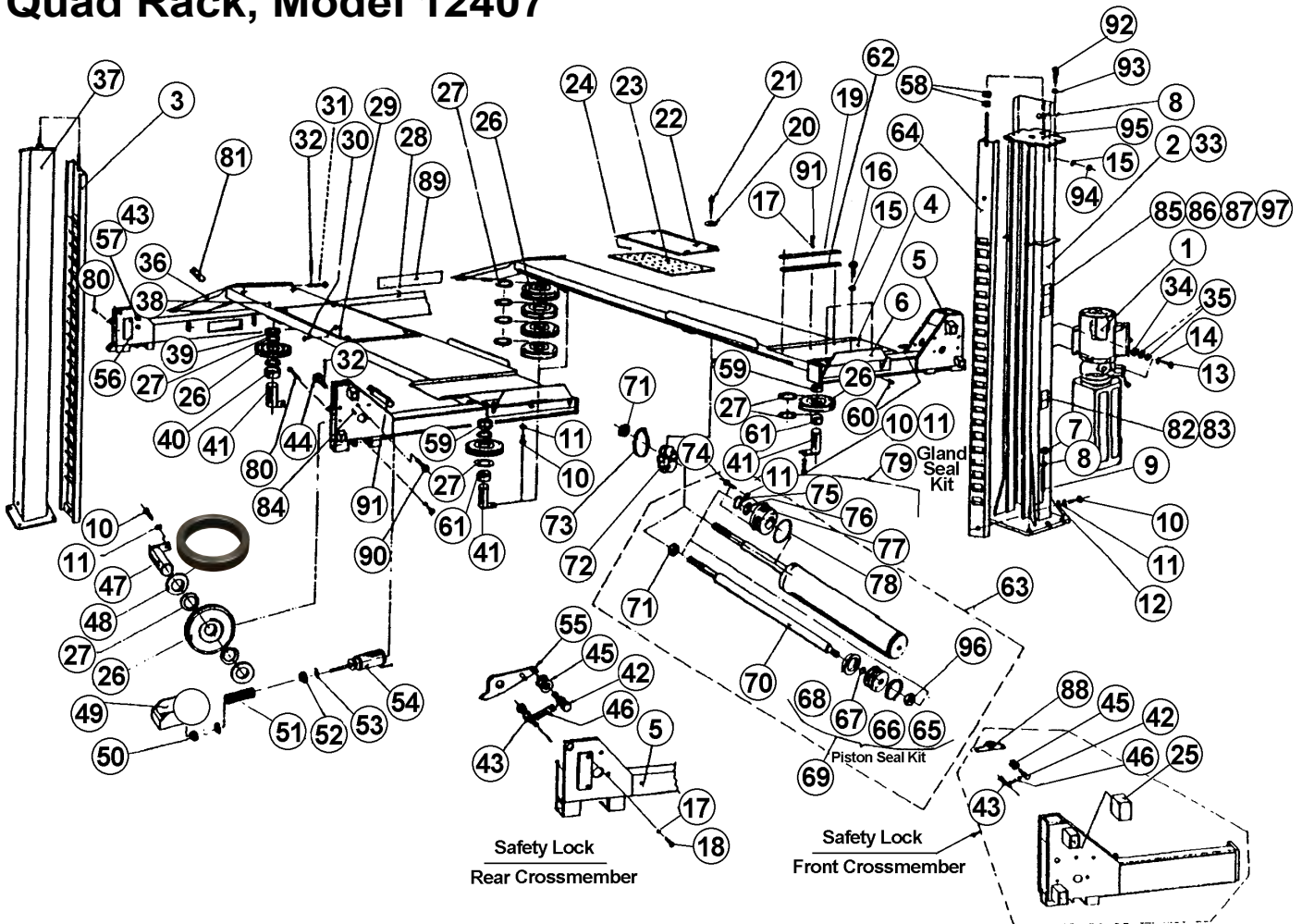
Item	SVI part #	OEM #	Req	Description
17	BH-7800-74	6-0090	1	Flow Control
18	BH-7805-100	6-0594	1	"Notice" Decal
19	BH-7802-67	6-0796	1	90° Elbow, 1/4" NPT M x 3/8" NPT F
20	BH-7802-30	6-0708	4	Adapter, 1/4" Poly Tube x 1/8" NPT
21	BH-7802-36	6-0717	1	Air Valve
22	BH-7801-13	6-0180	1	Air Filter
23	BH-7802-37	6-0718	1	90° Reducer, 1/4" NPT M x 1/8" NPT M
24	BH-7790-20	6-0025	1	Velocity Fuse
25	BH-7801-14	6-0182	1	Plug, 1/8" NPT
26	BH-7792-65	1-1057	2	Manifold
27	F-HC-0250-20-1500	6-0205	4	Hex Hd. Capscrew, 1/4"-20 x 1-1/2"
28	F-HN-0250-20	6-0032	4	Hex Nut, 1/4"-20
29	F-LW-0250	6-0056	4	Lock Washer, 1/4"
30	call	6-1094	2	Phil. Hd. Screw, #8-32 x 1"
32	BH-7805-118	6-0593	1	"Lift Operation" Decal
33	BH-7801-30	6-0280	1	Adapter, 1/8" NPT M x 1/4" JIC M

Cable Routing

Item	SVI part #	OEM #	Req	Description
1	BH-7794-14	2-0539	1	Cable Assembly, 376" Lg., L.F.
2	BH-7794-15	2-0540	1	Cable Assembly, 181" Lg., L.R.
3	BH-7794-16	2-0541	1	Cable Assembly, 233" Lg., R.R.
4	BH-7794-17	2-0542	1	Cable Assembly, 427" Lg., R.F.
5	F-HN-0875-14	6-0724	8	Hex Nut, 7/8"-14 UNF, Gr. 8
6	BH-7792-29	1-0800	4	Cable Spacer, 2"
7	F-FW-0875-USS	6-0725	4	Flat Washer 7/8"
8	BH-7792-30	1-0801	4	Cable Spacer, 1"



Quad Rack, Model 12407



Item	SVI part #	OEM #	Req	Description
1	BH-7804-16	6-1398	1	Power Pack, 230V/1PH
2	BH-7799-89	4-0429	1	L.H. Power Post
3	BH-7790-37	3-0487	2	Safety Rack (Rear)
4	BH-7799-38	4-0183	1	L.H. Alignment Deck
5	BH-7799-74	4-0366	1	L.H. Front Crossmember
6	BH-7795-04	2-0998	2	Front Wheel Stop
7	F-HN-0750-10	6-0737	22	Hex Nut, 3/4"-10
8	F-FW-0750-USS	6-0738	26	Flat Washer, 3/4"
9	BH-7798-77	6-1379	22	Wedge Anchor, 3/4"-10 x 5-1/2"
10	F-HC-0375-16-1000	6-0668	14	Hex Hd. Bolt, 3/8"-16 x 1" Gr. 8
11	F-LW-0375	6-0058	16	Lock Washer, 3/8"
12	F-FW-0375-USS	6-0062	6	Flat Washer, 3/8"
13	F-HC-0312-18-1000	6-0293	4	Hex Hd. Bolt, 5/16"-18 x 1"
14	F-LW-0312	6-0674	4	Lock Washer, 5/16"
15	F-LW-0500	6-0059	16	Lock Washer, 1/2"
16	F-HC-0500-13-1000	6-0045	6	Hex Hd. Bolt, 1/2"-13 x 1"
17	F-LW-0250	6-0056	20	Lock Washer, 1/4"
18	F-HC-0250-20-0750	6-078	8	Hex Hd. Bolt, 1/4"-20 x 3/4"
19	BH-7794-35	2-0635	4	Retaining Bar
20	call	6-0426	8	Flat Washer, 2" x 13/32" x 3/32"
21	call	6-0069	8	Shoulder Bolt, 3/8" x 5/8"
22	BH-7796-49	3-0197	2	Full Floating Rear Slip Plate

Item	SVI part #	OEM #	Req	Description
23	BH-7790-34	3-0196	2	Bearing Cage
24	BH-7790-35	6-0829	1 set	1/4" Ball Bearing
25	BH-7790-19	2-0772	8	Glide Bearing
26	BH-7794-19	2-0557	11	Sheave Assembly
27	BH-7792-15	1-0757	21	Nylon Thrust Washer
28	BH-7799-41	4-0188	1	Rear Crossmember
29	BH-7794-37	2-0637	4	Locking Pin Assembly
30	call	6-0505	4	Self Tap. Screw, #10 x 1/2"
31	BH-7791-19	1-0095	2	Ramp Pin
32	BH-7798-76	6-0115	6	Cotter Pin, 1/8" x 2"
33	BH-7799-90	4-0430	1	Post Weldment, F.R.
34	call	6-0294	4	Hex Nut, 5/16" Gr. 5
35	BH-7798-12	6-0295	8	Flat Washer, 5/16"
36	BH-7796-61	3-0285	2	Approach Ramp
37	BH-7796-80	3-0347	2	Rear Post
38	BH-7799-39	4-0184	1	Alignment Deck, R.H.
39	BH-7792-27	1-0798	1	Sheave-Spacer, 2-1/2"
40	BH-7792-26	1-0788	1	Sheave-Spacer, 1-1/4"
41	BH-7794-23	2-0566	4	Deck Sheave Pin
42	BH-7790-31	6-0801	4	Shoulder Bolt, 3/8" x 1-1/2"
43	call	6-0729	8	Shoulder Bolt, 3/8" x 3/4"
44	BH-7792-91	1-1234	4	Lock Safety Pin

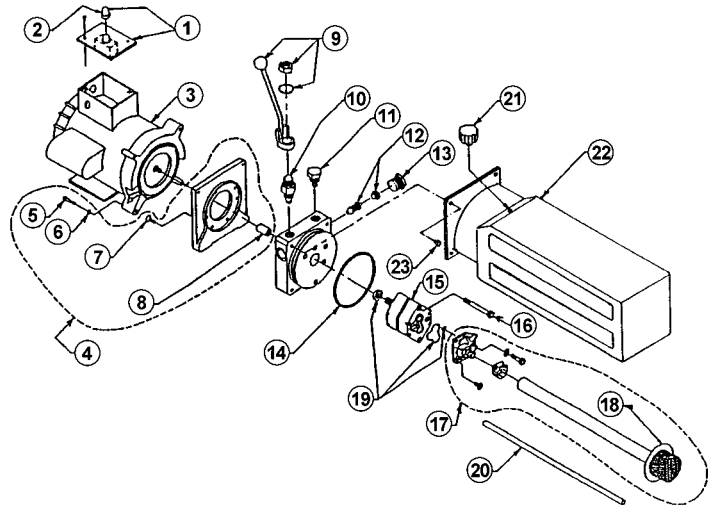
Quad Rack, Model 12407 (continued)

Item	SVI part #	OEM #	Req	Description
45	BH-7790-32	1-0766	4	Cable Roller
46	BH-7792-19	1-0768	4	Tension Spring
47	BH-7792-92	1-1237	4	Crossmember Sheave Pin
48	BH-7792-24	1-0786	8	Sheave Spacer, 3/8"
49	BH-7790-38	2-0990	4	Safety Shoe Weldment
50	F-NL-0250-28	6-1563	4	Hex Nylon Lock Nut, 1/4"-28
51	BH-7792-18	1-0767	4	Compression Spring
52	F-HN-0625-18	6-0662	4	Hex Nut, 5/8"-18
53	call	6-0063	4	5/8" Int. Tooth Lock Washer
54	BH-7798-03	6-0651	4	Air Cyl. (Clippard #SRR-12-2-SP: 5-1/2" Rod Ext.)
55	BH-7794-24	2-0567	2	Lock Safety
56	BH-7792-22	1-0775	4	Plastic Bracket
57	BH-7792-23	1-0776	4	Plastic Guide
58	F-HN-0625-11	6-0673	8	Hex Nut, 5/8"-11 Gr. 8
59	BH-7792-28	1-0799	2	Sheave-Spacer, 1-3/4"
60	F-SS-0500-13-1000	6-0726	8	Set Screw, 1/2"-13 x 1" Gr. 8
61	BH-7792-58	1-0943	2	Sheave-Spacer, 2"
62	BH-7794-36	2-0636	4	Spacer Bar
63	BH-7799-80	4-0393	1	Hydraulic Cylinder, 3.5"
64	BH-7797-36	3-0581	2	Safety Rack
65	BH-7800-55	6-0004	1	Wear Ring, 3/8" x 1/8" x 3-1/2"
66	BH-7795-11	2-1035	1	Piston
67	BH-7804-36	6-1585	1	"O" Ring, 1-1/4" x 1" x 1/8"
68	BH-7800-54	6-0003	1	Piston Seal, 3-1/2" x 3" x 3/8"
69	BH-7790-81	0-0241	1	Piston Seal Kit
70	BH-7795-12	2-1036	1	Piston Rod (Machined)
71	call	6-1454	2	Hex Nut, 1-1/4"-12 UNF-2A

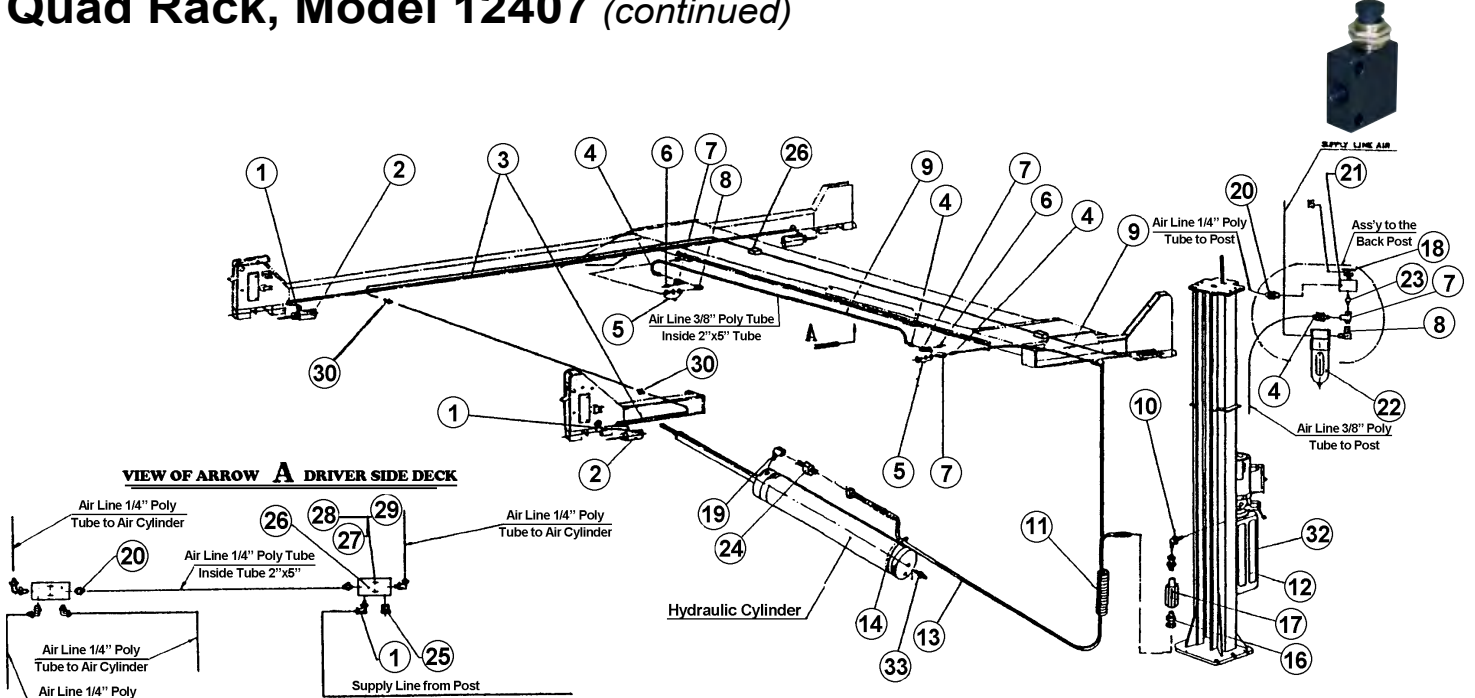
Item	SVI part #	OEM #	Req	Description
72	BH-7795-13	2-1037	1	Cable Flange
73	BH-7801-96	6-0665	1	Hose Clamp, 4-1/2"
74	F-HC-0375-16-1250	6-0666	2	Hex Bolt, 3/8"-16 x 1-1/4" Gr. 8
75	BH-7805-47	6-1303	1	Rod Wiper, 1-1/2" x 1-7/8"
76	BH-7804-02	6-1304	1	Rod Seal, 1-1/2" x 1-7/8" x 3/16"
77	BH-7797-17	3-0522	1	Gland
78	BH-7801-94	6-0655	1	"O" Ring, 3-1/2" x 1/8"
79	BH-7790-83	0-0242	1	Gland Seal Kit
80	F-HC-0375-16-3000	6-1386	4	Hex Hd. Bolt, 3/8"-16 x 3"
81	BH-7795-03	2-0997	4	Sheave Cover
82	BH-7805-125	6-1306	1	Serial Tag
83	BH-7805-126	6-0988	1	"ALI" Plate
84	BH-7799-75	4-0368	1	R.H. Front Crossmember
85	BH-7805-97	6-0592	1	"Caution" Decal
86	BH-7805-115	6-0351	1	"Safety Instructions" Decal
87	BH-7805-96	6-0595	1	"Warning" Decal
88	BH-7794-99	2-0980	2	Lock Safety
89	BH-7805-46	6-1125	1	"Caution" Tape, (40" Lg)
90	F-HC-0500-13-3000	6-1381	2	Hex Hd. Bolt, 1/2"-13 x 3"
91	F-HC-0250-20-1250	6-0027	12	Hex Hd. Bolt, 1/4"-20 x 1-1/4"
92	F-HC-0500-13-2000	6-0769	10	Hex Hd. Bolt, 1/2"-13 x 2"
93	F-FW-0500-SAE	6-0248	10	Flat Washer, 1/2"
94	F-HN-0500-13	6-0035	10	Hex Nut, 1/2"-13
95	BH-7795-28	2-1125	2	Top Plate
96	F-LN-1250-12	6-1453	1	Lock Nut, 1-1/4"-12
97	BH-7805-116	6-1637	1	"Attention" Decal

Power Pack

Item	SVI part #	OEM #	Req	Description
1	BH-7004-36	6-0881	1	Small Microswitch - New Style
2	BH-7803-68	6-1084	1	Microswitch Boot
3	BH-7802-53	6-0773	1	Motor 230V AC, 1 PH. 60 Hz
4	BH-7805-14	0-0197	1	Motor Adapter Kit
5	F-SC-0250-20-1625	6-1085	4	Skt. Hd. Capscrew 1/4"-20 x 1-5/8"
6	F-LW-0250	6-0056	4	Lock Washer, 1/4"
7	BH-7806-25	6-1086	4	Allen Hd. Flat Screw, 1/4"-20 x 3/4"
8	BH-7802-54	6-0774	1	Coupling
9	BH-7802-56	6-0776	1	Release Bracket & Handle Assembly
10	BH-7802-92	6-0880	1	Valve Cartridge Release
11	BH-7803-69	6-1087	1	Valve Cartridge Check
12	BH-7804-04	6-1317	1	Fixed Relief Valve (RV 17)
13	BH-7803-71	6-1089	1	Relief Valve Cap
14	BH-7802-87	6-0875	1	Reservoir "O" Ring
15	BH-7802-60	6-0782	1	Pump Assembly
16	BH-7803-72	6-1090	2	Pump Mounting Bolt
17	BH-7790-76	0-0198	1	Inlet Plumbing Kit
18	BH-7802-64	6-0786	1	Inlet Hose/Filter Assembly
19	BH-7790-77	0-0199	1	Pump "O" Ring Kit
20	BH-7802-61	6-0783	1	Return Tube
21	BH-7007-92	6-1376	1	Breather Filler Cap (Plastic)
22	BH-7804-17	6-1399	1	Reservoir
23	BH-7803-73	6-1091	4	Reservoir Screw



Quad Rack, Model 12407 (continued)



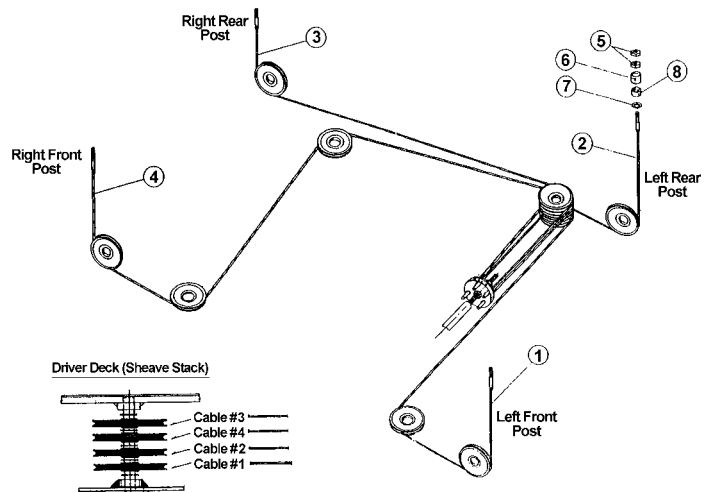
Hydraulics

Item	SVI part #	OEM #	Req	Description
1	BH-7802-31	6-0709	9	90° Elbow, 1/8" NPT x 1/4" Poly Tube
2	BH-7798-03	6-0651	4	Air Cylinder
3	BH-7802-28	6-0706	50'	1/4" Poly Tube
4	BH-7802-32	6-0710	4	Adapter, 3/8" Poly Tube x 1/4" NPT
5	BH-7802-33	6-0713	2	Terminal Bolt, 3/4"
6	BH-7801-31	6-0282	2	Plug, 1/4" NPT
7	BH-7800-62	6-0014	4	1/4" NPT Street Tee
8	BH-7800-63	6-0015	2	1/4" NPT Street Elbow
9	BH-7802-29	6-0707	25'	3/8" Poly Tube
10	BH-7798-45	6-0804	1	90° Elbow, 3/8" JIC M x 9/16" M
11	BH-7802-34	6-0714	4'	Hose Guard
12	BH-7801-91	6-0650	1	Power Pack 230V/1PH
13	BH-7802-35	6-0715	1	Hyd. Hose Assy., 3/8" Swivel x 3/8" JIC M, 147"
14	BH-7802-41	6-0731	3	Cable Tie
15	call	6-1051	1	Socket Hd. Set Screw
16	BH-7802-68	6-0797	2	Adapter, 3/8" NPT M x 3/8" JIC F Swivel

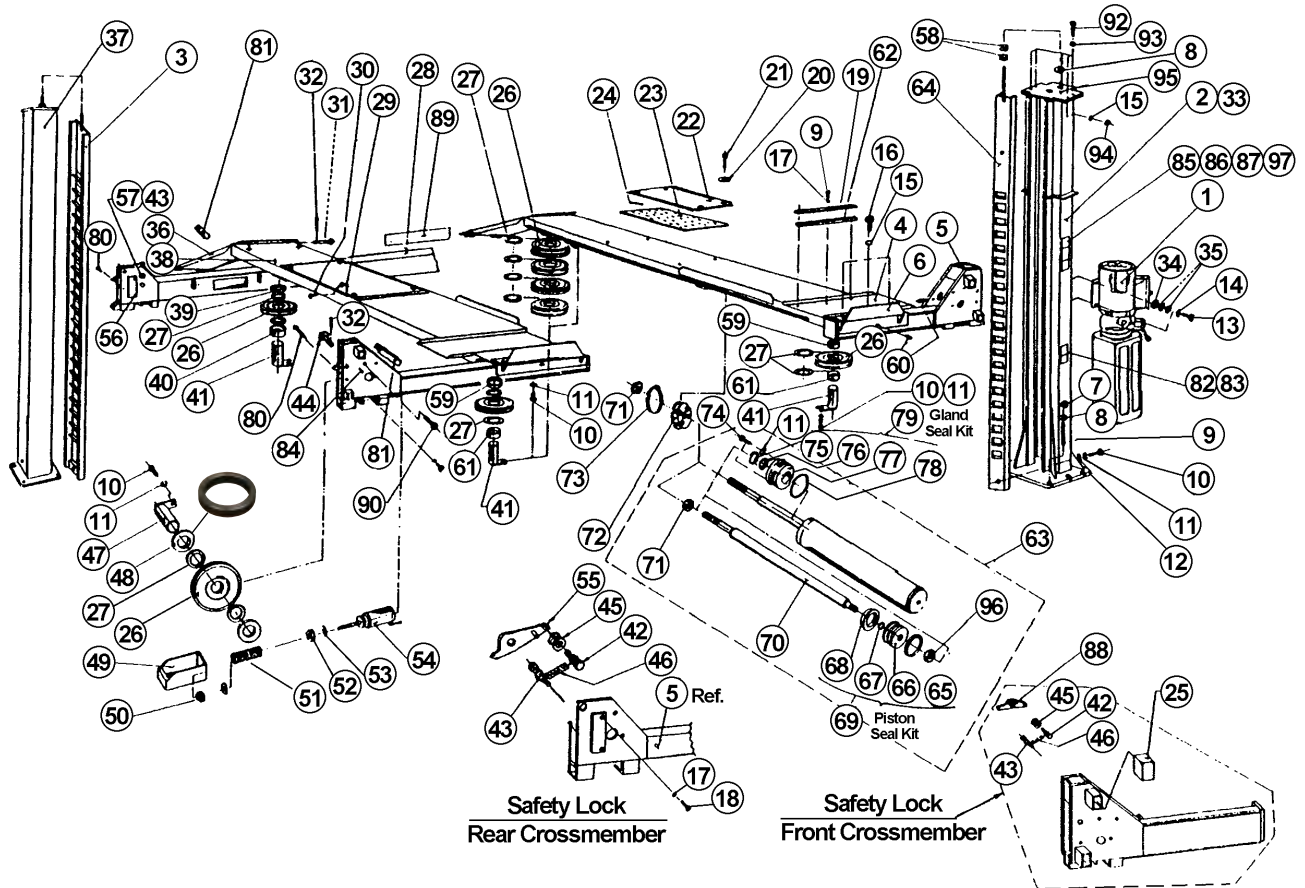
Item	SVI part #	OEM #	Req	Description
17	BH-7800-74	6-0090	1	Flow Control
18	BH-7803-51	6-1052	1	Button
19	BH-7802-67	6-0796	1	90° Elbow, 1/4" NPT M x 3/8" NPT F
20	BH-7802-30	6-0708	3	Adapter, 1/4" Poly Tube x 1/8" NPT
21	BH-7803-52	6-1055	1	Air Valve Assembly
22	BH-7801-13	6-0180	1	Air Filter
23	BH-7805-48	6-1382	1	Adapter, 1/4" NPT M x 1/8" NPT M
24	BH-7790-20	6-0025	1	Velocity Fuse
25	BH-7801-14	6-0182	1	Plug, 1/8" NPT
26	BH-7792-65	1-1057	2	Manifold
27	F-HC-0250-20-2000	6-0177	4	Hex Hd. Capscrew, 1/4"-20 x 2"
28	F-HN-0250-20	6-0032	4	Hex Nut, 1/4"-20
29	F-LW-0250	6-0056	4	Lock Washer, 1/4"
30	BH-7802-43	6-0747	2	1/4" Poly Tube Adapter
32	BH-7805-118	6-0593	1	"Lift Operation" Decal
33	BH-7801-30	6-0280	1	Adapter 1/8" NPT M x 1/4" JIC M

Cable Routing

Item	SVI part #	OEM #	Req	Description
1	BH-7795-54	2-1287	1	Cable Assembly, 387" L.F.
2	BH-7794-15	2-0540	1	Cable Assembly, 178" L.R.
3	BH-7794-16	2-0541	1	Cable Assembly, 233" R.R.
4	BH-7795-55	2-1288	1	Cable Assembly, 442" R.F.
5	F-HN-0875-14	6-0724	8	Hex Nut, 7/8"-14 UNF, Gr. 8
6	BH-7792-29	1-0800	4	Cable Spacer, 2"
7	F-FW-0875-USS	6-0725	4	Flat Washer, 7/8"
8	BH-7792-30	1-0801	4	Cable Spacer, 1"



Quad Rack, Oracle, Model 14407



Item	SVI part #	OEM #	Req	Description
1	BH-7801-91	6-0650	1	Power Pack, 230V/1PH
1*	BH-7804-16	6-1398	1	Power Pack, 230 V/1PH/3HP
2	BH-7799-89	4-0429	1	L.H. Power Post
3	BH-7790-37	3-0487	2	Safety Rack (Rear)
4	BH-7799-95	4-0437	1	L.H. Alignment Deck
5	BH-7799-74	4-0366	1	L.H. Front Crossmember
6	BH-7795-04	2-0998	2	Front Wheel Stop
7	F-HN-0750-10	6-0737	22	Hex Nut, 3/4"-10
8	F-FW-0750-USS	6-0738	26	Flat Washer, 3/4"
9	BH-7798-77	6-1379	22	Wedge Anchor, 3/4"-10 x 5-1/2"
10	F-HC-0375-16-1000	6-0668	14	Hex Hd. Bolt 3/8"-16 x 1" Gr. 8
11	F-LW-0375	6-0058	16	Lock Washer, 3/8"
12	F-FW-0375-USS	6-0062	6	Flat Washer, 3/8"
13	F-HC-0312-18-1000	6-0293	4	Hex Hd. Bolt, 5/16"-18 x 1"
14	F-LW-0312	6-0674	4	Lock Washer, 5/16"
15	F-LW-0500	6-0059	16	Lock Washer, 1/2"
16	F-HC-0500-13-1000	6-0045	6	Hex Hd. Bolt, 1/2"-13 x 1"
17	F-LW-0250	6-0056	20	Lock Washer, 1/4"
18	F-HC-0250-20-0750	6-0178	8	Hex Hd. Bolt, 1/4"-20 x 3/4"
19	BH-7794-35	2-0635	4	Retaining Bar
19*	BH-7795-76	2-1391	4	Retaining Bar
20	call	6-0426	8	Flat Washer, 2" x 13/32" x 3/32"
21	call	6-0069	8	Shoulder Bolt, 3/8" x 5/8"
22	BH-7796-49	3-0197	2	Full Floating Rear Slip Plate
23	BH-7790-34	3-0196	2	Bearing Cage
24	BH-7790-35	6-0829	1 set	1/4" Ball Bearing

Item	SVI part #	OEM #	Req	Description
25	BH-7790-19	2-0772	8	Glide Bearing
26	BH-7794-19	2-0557	11	Sheave Assembly
27	BH-7792-15	1-0757	21	Nylon Thrust Washer
28	BH-7799-76	4-0371	1	Rear Crossmember
29	BH-7794-37	2-0637	4	Locking Pin Assembly
30	call	6-0505	4	Self Tap. Screw, #10 x 1/2"
31	BH-7791-19	1-0095	2	Ramp Pin
32	BH-7798-76	6-0115	6	Cotter Pin, 1/8" x 2"
33	BH-7799-90	4-0430	1	Post Weldment, F.R.
34	call	6-0294	4	Hex Nut, 5/16" Gr. 8
35	BH-7798-12	6-0295	8	Flat Washer, 5/16"
36	BH-7796-61	3-0285	2	Approach Ramp
37	BH-7797-14	3-0514	2	Rear Post
38	BH-7799-96	4-0438	1	Alignment Deck, R.H.
39	BH-7792-27	1-0798	1	Sheave Spacer, 2-1/2"
40	BH-7792-26	1-0788	1	Sheave Spacer, 1-1/4"
41	BH-7794-23	2-0566	4	Deck Sheave Pin
41*	BH-7795-08	2-1008	4	Deck Sheave Pin
42	BH-7790-31	6-0801	4	Shoulder Bolt, 3/8" x 1-1/2"
43	call	6-0729	8	Shoulder Bolt, 3/8" x 3/4"
44	BH-7792-91	1-1234	4	Lock Safety Pin
45	BH-7790-32	1-0766	4	Cable Roller
46	BH-7792-19	1-0768	4	Tension Spring
47	BH-7792-92	1-1237	4	Crossmember Sheave Pin

* Indicates from July, 2001 Version



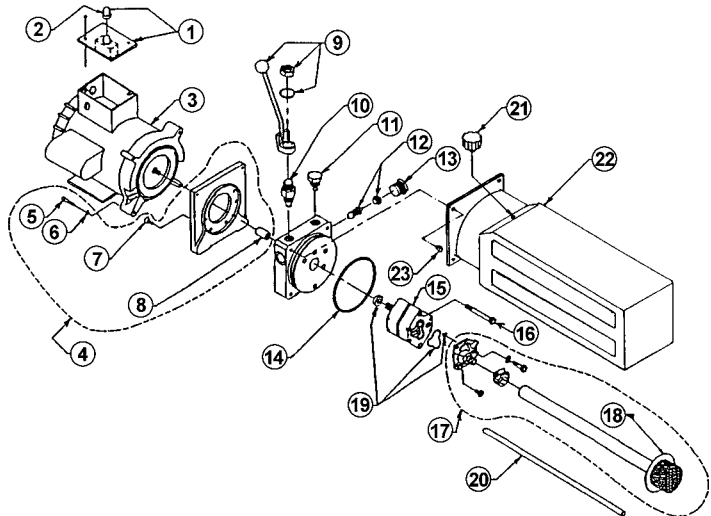
Quad Rack, Oracle, Model 14407 (continued)

Item	SVI part #	OEM #	Req	Description
48	BH-7792-24	1-0786	8	Sheave Spacer, 3/8"
49	BH-7790-38	2-0990	4	Safety Shoe Weldment
50	F-NL-0250-28	6-1563	4	Hex Nylon Locknut, 1/4"-28
51	BH-7792-18	1-0767	4	Compression Spring
52	F-HN-0625-18	6-0662	4	Hex Nut, 5/8"-18
53	call	6-0663	4	5/8" Int. Tooth Lock Washer
54	BH-7798-03	6-0651	4	Air Cyl. (Clippard #SRR-12-2-SP: 5-1/2" Rod Ext.)
55	BH-7794-24	2-0567	2	Lock Safety
55*	BH-7794-24	2-0567	1	Lock Safety L.S.
55*	BH-7795-89	2-1475	1	Lock Safety R.S.
56	BH-7792-22	1-0775	4	Plastic Bracket
57	BH-7792-23	1-0776	4	Plastic Guide
58	F-HN-0625-11	6-0673	8	Hex Nut, 5/8"-11 Gr. 8
59	BH-7792-28	1-0799	2	Sheave Spacer, 1-3/4"
60	F-SS-0500-13-1000	6-0726	8	Set Screw, 1/2"-13 x 1" Gr. 8
61	BH-7792-58	1-0943	2	Sheave Spacer, 2"
62	BH-7794-36	2-0636	4	Spacer Bar
62*	call	6-0060	16	Flat Washer, 1/4" x 3/4", Plated
63	BH-7799-80	4-0393	1	Hydraulic Cylinder, 3.5"
64	BH-7797-36	3-0581	2	Safety Rack
65	BH-7800-55	6-0004	1	Wear Ring, 3/8" x 1/8" x 3-1/2"
66	BH-7795-11	2-1035	1	Piston
67	BH-7804-36	6-1585	1	"O" Ring, 1-1/4" x 1" x 1/8"
68	BH-7800-54	6-0003	1	Piston Seal, 3-1/2" x 3" x 3/8"
69	BH-7790-82	0-0241	1	Piston Seal Kit
70	BH-7795-12	2-1036	1	Piston Rod (Machined)
71	call	6-1454	2	Hex Nut, 1-1/4"-12 UNF-2A
72	BH-7795-13	2-1037	1	Cable Flange
73	BH-7801-96	6-0665	1	Hose Clamp, 4-1/2"

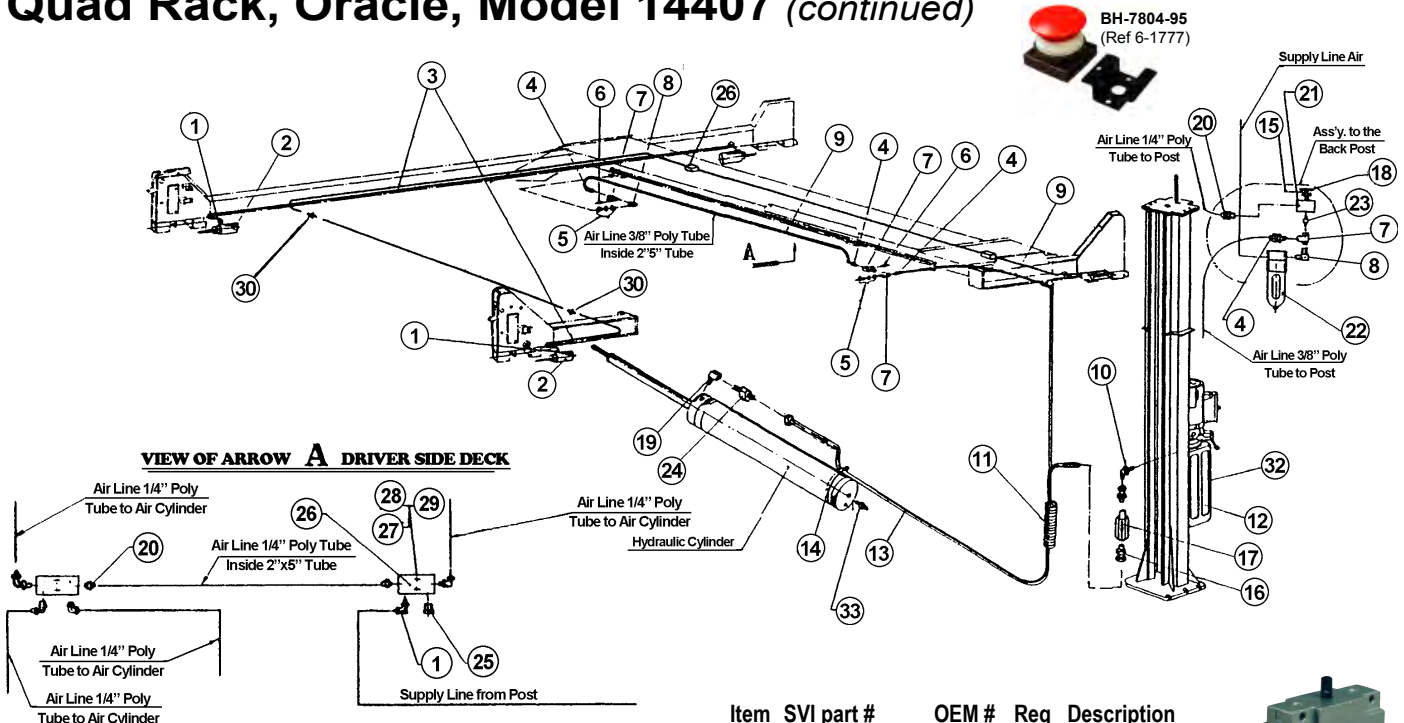
Item	SVI part #	OEM #	Req	Description
74	F-HC-0375-16-1250	6-0666	2	Hex Bolt, 3/8"-16 x 1-1/4" Gr. 8
75	BH-7805-47	6-1303	1	Rod Wiper, 1-1/2" x 1-7/8"
75*	BH-7800-52	6-0001	1	Rod Wiper, 1-1/2" x 1-7/8"
76	BH-7804-02	6-1304	1	Rod Seal, 1-1/2" x 1-7/8" x 3/16"
77	BH-7797-17	3-0522	1	Gland
78	BH-7801-94	6-0655	1	"O" Ring, 3-1/2" x 1/8"
79	BH-7790-83	0-0242	1	Gland Seal Kit
80	F-HC-0375-16-3000	6-1386	4	Hex Hd. Bolt, 3/8"-16 x 3
81	BH-7795-03	2-0997	4	Sheave Cover
82	BH-7805-125	6-1306	1	Serial Tag
83	BH-7805-126	6-0988	1	"ALI" Plate
84	BH-7799-75	4-0368	1	R.H. Front Crossmember
85	BH-7805-97	6-0592	1	"Caution" Decal
86	BH-7805-115	6-0351	1	"Safety Instructions" Decal
87	BH-7805-96	6-0595	1	"Warning" Decal
88	BH-7794-99	2-0980	2	Lock Safety
88*	BH-7794-99	2-0980	1	Lock Safety, L.S.
88*	BH-7795-79	2-1426	1	Lock Safety, R.S.
89	BH-7805-46	6-1125	1	"Caution" Table, (40" Lg.)
90	F-HC-0500-13-3000	6-1381	2	Hex Hd. Bolt, 1/2"-13 x 3"
91	F-HC-0250-20-1250	6-0027	12	Hex Hd. Bolt, 1/4"-20 x 1-1/4"
92	F-HC-0500-13-2000	6-0769	10	Hex Hd. Bolt, 1/2"-13 x 2"
93	F-FW-0500-SAE	6-0248	10	Flat Washer, 1/2"
94	F-HN-0500-13	6-0035	10	Hex Nut, 1/2"-13
95	BH-7795-28	2-1125	2	Top Plate
96	F-LN-1250-12	6-1453	1	Lock Nut, 1-1/4"-12
97	BH-7805-116	6-1637	1	"Attention" Decal
98*	BH-7793-32	1-1766	1	Keeper Washer, 2" x 1/4"

Power Pack

Item	SVI part #	OEM #	Req	Description
1	BH-7004-36	6-0881	1	Small Microswitch - New Style
2	BH-7803-68	6-1084	1	Microswitch Boot
3	BH-7802-53	6-0773	1	Motor 230 V AC, 1PH 60 Hz.
4	BH-7805-14	0-0197	1	Motor Adapter Kit
5	F-SC-0250-20-1625	6-1085	4	Skt. Hd. Capscrew, 1/4"-20 x 1-5/8"
6	F-LW-0250	6-0056	4	Lock Washer, 1/4"
7	BH-7806-25	6-1086	4	Allen Hd. Flat Screw 1/4"-20 x 3/4"
8	BH-7802-54	6-0774	1	Coupling
9	BH-7802-56	6-0776	1	Release Bracket & Handle Assembly
10	BH-7802-92	6-0880	1	Valve Cartridge Release
11	BH-7803-69	6-1087	1	Valve Cartridge Check
12	BH-7804-04	6-1317	1	Fixed Relief Valve (RV 17)
13	BH-7803-71	6-1089	1	Relief Valve Cap
14	BH-7802-87	6-0875	1	Reservoir "O" Ring
15	BH-7802-60	6-0782	1	Pump Assembly
16	BH-7803-72	6-1090	2	Pump Mounting Bolt
17	BH-7790-76	0-0198	1	Inlet Plumbing Kit
18	BH-7802-64	6-0786	1	Inlet Hose/Filter Assembly
19	BH-7790-77	0-0199	1	Pump "O" Ring Kit
20	BH-7802-61	6-0783	1	Return Tube
21	BH-7802-62	6-0784	1	Breather-Filler Cap
22	BH-7802-63	6-0785	1	Reservoir
23	BH-7803-73	6-1091	4	Reservoir Screw



Quad Rack, Oracle, Model 14407 (continued)



Hydraulics

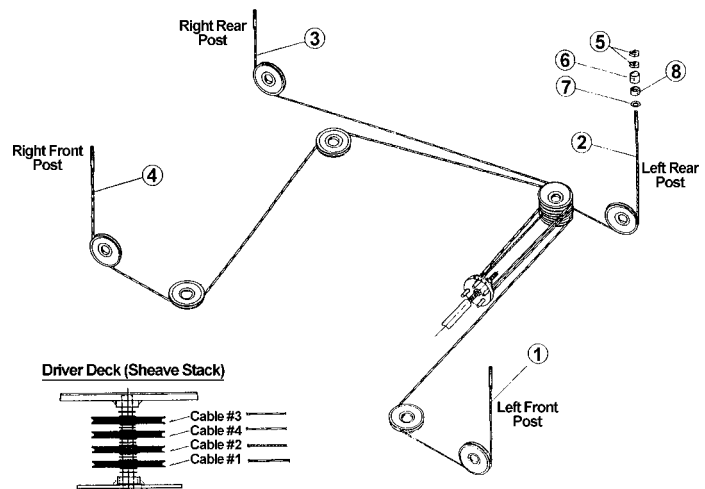
Item	SVI part #	OEM #	Req	Description
1	BH-7802-31	6-0709	9	90° Elbow, 1/8" NPT x 1/4" Poly Tube
2	BH-7798-03	6-0651	4	Air Cylinder
3	BH-7802-28	6-0706	50'	1/4" Poly Tube
4	BH-7802-32	6-0710	4	Adapter, 3/8" Poly Tube x 1/4" NPT
5	BH-7802-33	6-0713	2	Terminal Bolt, 3/4"
6	BH-7801-31	6-0282	2	Plug, 1/4" NPT
7	BH-7800-62	6-0014	4	1/4" NPT Street Tee
8	BH-7800-63	6-0015	2	1/4" NPT Street Elbow
9	BH-7802-29	6-0707	25'	3/8" Poly Tube
10	BH-7798-45	6-0804	1	90° Elbow, 3/8" JIC M x 9/16" M
11	BH-7802-34	6-0714	4'	Hose Guard
12	BH-7801-91	6-0650	1	Power Pack 230V/1PH
12*	BH-7804-16	6-1398	1	Power Pack 230V/1PH/3PH
13	BH-7802-35	6-0715	1	Hyd. Hose Assy., 3/8" Swivel x 3/8" JIC M, 147"
14	BH-7802-41	6-0731	3	Cable Tie
15	call	6-1051	1	Socket Hd. Set Screw
15*	BH-7795-77	2-1394	1	Air Valve & Filter Assy.
16	BH-7802-68	6-0797	2	Adapter 3/8" NPT M x 3/8" JIC F Swivel
17	BH-7800-74	6-0090	1	Flow Control

Item	SVI part #	OEM #	Req	Description
18	BH-7803-51	6-1052	1	Button
18*	BH-7804-94	6-1775	1	Air Valve
19	BH-7802-67	6-0796	1	90° Elbow, 1/4" NPT M x 3/8" NPT F
20	BH-7802-30	6-0708	3	Adapter, 1/4" Poly Tube x 1/8" NPT
21	BH-7803-52	6-1055	1	Air Valve Assembly
21*	BH-7804-95	6-1777	1	Air Valve Pushbutton Kit
22	BH-7801-13	6-0180	1	Air Filter
23	BH-7805-48	6-1382	1	Adapter, 1/4" NPT M x 1/8" NPT M
23*	BH-7790-86	0-0405	1	Air Valve Fitting Kit
24	BH-7790-20	6-0025	1	Velocity Fuse
25	BH-7801-14	6-0182	1	Plug, 1/8" NPT
26	BH-7792-65	1-1057	2	Manifold
27	F-HC-0250-20-2000	6-0177	4	Hex Hd. Capscrew, 1/4"-20 x 2"
28	F-HN-0250-20	6-0032	4	Hex Nut, 1/4"-20
29	F-LW-0250	6-0056	4	Lock Washer, 1/4"
30	BH-7802-43	6-0747	2	1/4" Poly Tube Adapter
32	BH-7805-118	6-0593	1	"Lift Operation" Decal
33	BH-7801-30	6-0280	1	Adapter 1/8" NPT M x 1/4" JIC M

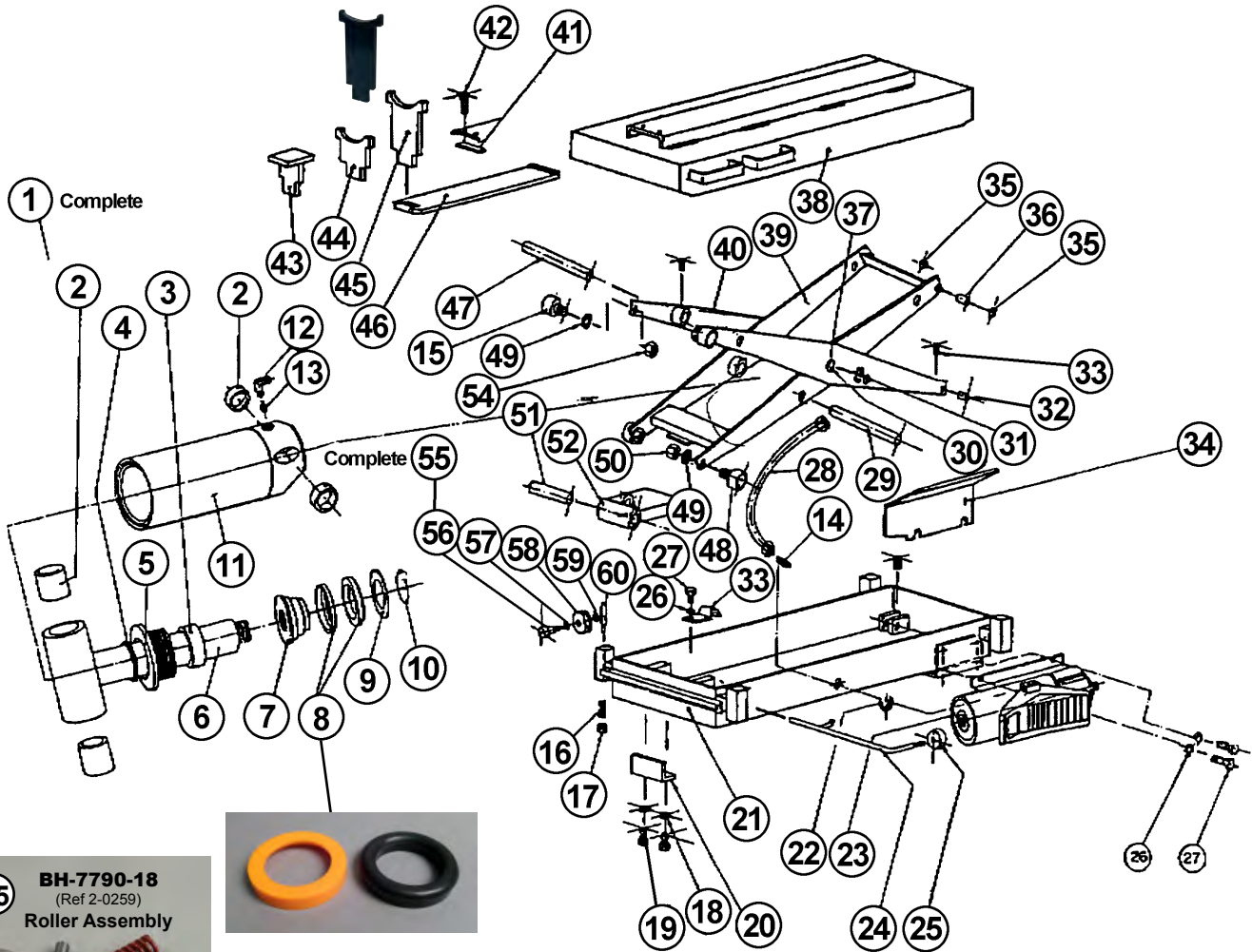
* Indicates July, 2001 Version

Cable Routing

Item	SVI part #	OEM #	Req	Description
1	BH-7795-54	2-1287	1	Cable Assembly, 387" L.F.
2	BH-7795-25	2-1094	1	Cable Assembly, 178" L.R.
3	BH-7795-26	2-1095	1	Cable Assembly, 234" R.R.
4	BH-7795-55	2-1288	1	Cable Assembly, 442" R.F.
5	F-HN-0875-14	6-0724	8	Hex Nut, 7/8"-14 UNF, Gr. 8
6	BH-7792-29	1-0800	4	Cable Spacer, 2"
7	F-FW-0875-USS	6-0725	4	Flat Washer, 7/8"
8	BH-7792-30	1-0801	4	Cable Spacer, 1"



Space Saver 145 Sliding Jack Beam



55 BH-7790-18
(Ref 2-0259)
Roller Assembly

Item	SVI part #	OEM #	Req	Description
1	BH-7790-15	3-0362	1	Hydraulic Cylinder Complete
2*	BH-7802-71	6-0800	4	Sleeve Bearing
3*	BH-7802-70	6-0799	1	Sleeve Bearing
4**	BH-7802-69	6-0798	1	Wiper Ring
5*	BH-7792-49	1-0880	1	Gland
6*	BH-7794-32	2-0616	1	Piston Rod
7*	BH-7792-50	1-0881	1	Piston
8**	BH-7801-86	6-0579	1	Seal and Wiper Ring
9*	BH-7792-07	1-0725	1	Keeper Washer
10*	BH-7805-66	6-0581	1	External Snap Ring
11*	BH-7794-31	2-0614	1	Cylinder Tube
12*	BH-7791-96	1-0600	1	90° Elbow
13*	BH-7801-79	6-0513	1	Velocity Fuse
14	BH-7800-59	6-0011	1	Male Adapter, 3/8" JIC to 3/8" M BPT

Item	SVI part #	OEM #	Req	Description
15	BH-7798-08	6-0076	2	1-1/2" Upper Cam Follower
16	BH-7790-23	6-0081	4	Spring
17	BH-7790-98	6-0042	4	Nylon Nut, 3/8"
18	F-LW-0375	6-0058	4	3/8" Lock Washer
19	F-HC-0375-16-0750	6-0030	4	Hex Bolt, 3/8"-16 x 3/4"
20	BH-7792-01	1-0608	2	Keeper Bracket
21	BH-7799-24	4-0154	1	Bottom Frame
22	BH-7801-97	6-0670	1	Snap-In Grommet
23	BH-7805-68	6-0646	1	Air/Hydraulic Pump
* Hydraulic Cylinder Components				
** Hydraulic Cylinder Seal Kit #0-0174				



Space Saver 145 Sliding Jack Beam *(continued)*

Item	SVI part #	OEM #	Req	Description
24	BH-7791-89	1-0589	1	Lever
25	BH-7801-21	6-0251	1	3/8"-16 Knob
26	F-LW-0250	6-0056	7	1/4" Lock Washer
27	F-HC-0250-20-0750	6-0178	7	Hex Bolt, 1/4"-20 x 3/4"
28	BH-7792-17	1-0765	1	Hydraulic Hose Assembly
29	BH-7791-88	1-0584	1	Scissor Pin "B"
30	BH-7791-86	1-0574	1	Center Shaft
31	BH-7801-37	6-0329	2	Retaining Ring
32	BH-7791-95	1-0599	2	Bottom Hinge Pin
33	F-SS-0250-20-0500	6-0438	7	Set Screw, 1/4"-20 x 1/2"
34	BH-7792-02	1-0609	1	Shield
35	BH-7800-68	6-0072	4	Retaining Ring
36	BH-7791-94	1-0598	2	Top Hinge Pin
37	call	6-0328	2	Thrust Washer
38	BH-7796-22	3-0029	1	Top Frame Assembly
39	BH-7796-64	3-0289	1	Scissor Arm, I.S.
40	BH-7796-63	3-0288	1	Scissor Arm, O.S.
41	BH-7791-08	1-0048	2	Arm Stop
42	BH-7791-10	6-0441	4	1/4"-28 Button Hd. Capscrew, 3/8" Lg.
43	BH-7790-27	2-0264	2	Riser Bracket
43	BH-7795-33	2-1174	2	Rolling Jack Adapter with Rubber Pad

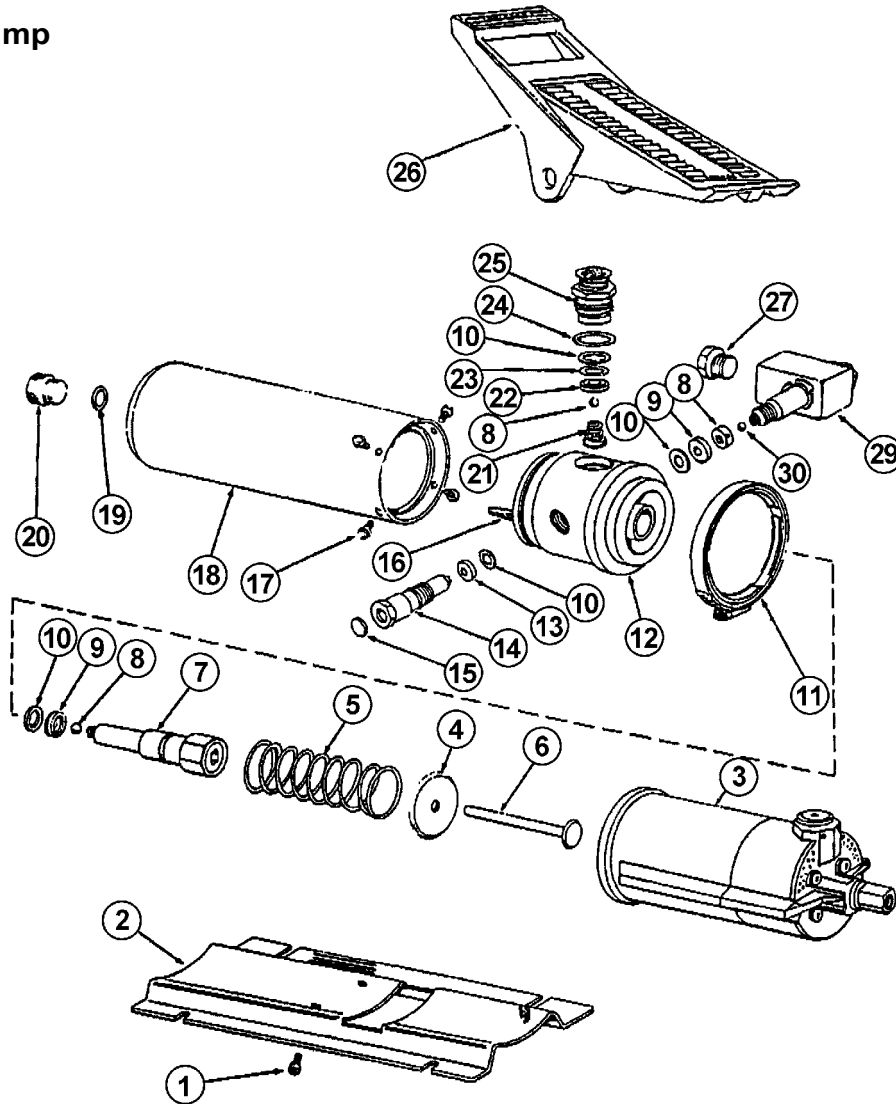
Item	SVI part #	OEM #	Req	Description
44	BH-7793-76	2-0163	2	Small Riser Bracket
45	BH-7793-77	2-0164	2	Large Riser Bracket
46	BH-7791-07	1-0047	2	Lifting Arm
47	BH-7791-87	1-0583	1	Scissor Pin"A"
48	BH-7791-39	1-0130	2	Cam Follower
49	BH-7791-52	1-0228	4	Spacer
50	F-JN-0625-18	6-0040	2	Jam Nut, 5/8"-18
51	BH-7791-83	1-0561	1	Safety Pin
52	BH-7791-84	1-0562	1	Safety Stop
53	BH-7801-98	6-0671	3	Clip
54	F-HN-0625-18	6-0672	2	5/8"-18 Hex Nut
55	BH-7790-18	2-0259	4	Roller Assembly (with Spring)
56	call	1-1301	4	Shoulder Bolt, 3/8" x 1"
57	call	6-0223	4	3/8" Thrust Washer
58	BH-7793-69	2-0098	4	Track Roller Assembly
59	call	6-0224	4	3/8" Thrust Washer
60	BH-7805-99	1-0264	4	Spring Stem

* Hydraulic Cylinder Components

** Hydraulic Cylinder Seal Kit #0-0174

Space Saver 145 Sliding Jack Beam (continued)

Air/Hydraulic Pump

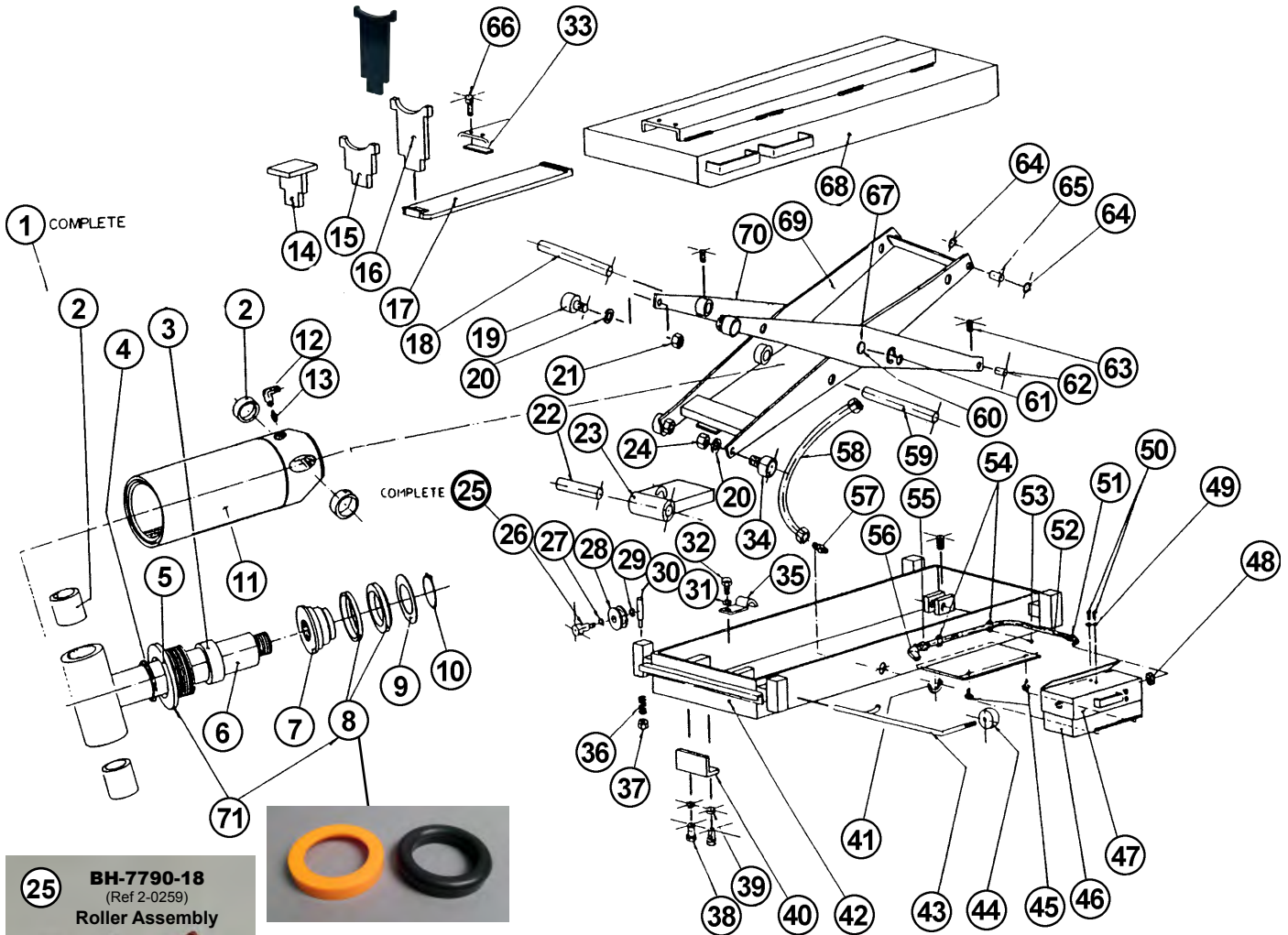


Item	SVI part #	OEM #	Req	Description
1	call	6-0675	2	Capscrew
2	BH-7801-99	6-0675	1	Base
3	BH-7802-00	6-0677	1	Air Motor Assembly
4	BH-7805-69	6-0678	1	Spring Cap
5	BH-7802-01	6-0679	1	Spring
6	BH-7802-02	6-0680	1	Plunger
7	BH-7802-03	6-0681	1	Hydraulic Cylinder Assembly
8*	BH-7802-04	6-0682	2	7/32" Ball
9*	BH-7802-05	6-0683	2	Ball Seat
10*	BH-7802-06	6-0684	4	Gasket
11	BH-7802-07	6-0685	1	Body Retainer
12	BH-7802-08	6-0686	1	Hydraulic Body Assembly
13	BH-7802-09	6-0687	1	Relief Ball Seal
14	BH-7805-70	6-0688	1	Relief Valve Assembly
15	BH-7802-11	6-0689	1	Safety Valve Plug
16	BH-7802-12	6-0690	1	Filter

Item	SVI part #	OEM #	Req	Description
17	BH-7802-13	6-0691	4	Screw
18	BH-7805-71	0-0692	1	Reservoir Sub-Assembly
19*	BH-7802-15	6-0693	1	Back-Up Washer
20	BH-7802-16	6-0694	1	Plug
21*	BH-7802-17	6-0695	1	Spring
22	BH-7802-18	6-0696	1	Ball Seat
23*	BH-7802-19	6-0697	1	Gasket
24*	BH-7802-20	6-0698	1	"O"-Ring
25	BH-7802-21	6-0699	1	Release Plunger @ Roller Assembly
26	BH-7802-22	6-0700	1	Treadle
27	BH-7802-23	6-0701	1	Plug
28	BH-7802-24	6-0702	1	Ball Guide
29	BH-7802-25	6-0703	1	Swivel Coupler Assembly
30*	BH-7802-26	6-0704	1	1/4" Ball

* Included Items in Repair Kit #6-0722

Space Saver Air Hydraulic Sliding Jack Beam, 4,500 lbs.



Item	SVI part #	OEM #	Req	Description
1	BH-7790-15	3-0362	2	Hydraulic Cylinder Assembly
2	BH-7802-71	6-0800	4	Sleeve Bearing
3	BH-7802-70	6-0799	1	Sleeve Bearing
4*	BH-7802-69	6-0798	1	Wiper Ring
5*	BH-7792-49	1-0880	1	Gland
6	BH-7794-32	2-0616	1	Piston Rod
7	BH-7792-50	1-0881	1	Piston

Item	SVI part #	OEM #	Req	Description
8	BH-7801-86	6-0579	1	Seal & Wiper Ring
9	BH-7792-07	1-0725	1	Keeper Washer
10	BH-7805-66	6-0581	1	External Snap Ring
11	BH-7794-31	2-0614	1	Cylinder Tube
12	BH-7791-96	1-0600	1	90° Elbow

NOTE: Items Listed with * are Included in Item 71 Seal Kit



Space Saver Air Hydraulic Sliding Jack Beam, 4,500 lbs. (continued)

Item	SVI part #	OEM #	Req	Description
13	BH-7802-98	6-0911	1	Velocity Fuse
13**	BH-7793-29	1-1726	1	Velocity Fuse Assembly
14	BH-7790-27	2-0264	2	Riser Bracket
14**	BH-7795-33	2-1174	2	Rolling Jack Adapter with Pad
15	BH-7793-76	2-0163	2	Riser Short
16	BH-7793-77	2-0164	2	Riser Tall
17	BH-7791-07	1-0047	2	Lifting Arm
18	BH-7791-88	1-0584	1	Scissor Pin "B"
19	BH-7798-08	6-0076	2	1-1/2" Upper Cam Follower
20	BH-7791-52	1-0228	4	Spacer
21	F-HN-0625-18	6-0672	2	Hex Nut, 5/8"-18
22	BH-7791-83	1-0561	1	Safety Pin
23	BH-7791-84	1-0562	1	Safety Stop
24	F-JN-0625-18	6-0040	2	Jam Nut, 5/8"-18
25	BH-7790-18	2-0259	4	Roller Assembly (with spring)
26	BH-7791-09	6-0206	4	Shoulder Bolt, 3/8"x1"
27	call	6-0223	4	Thrust Washer, 3/8"
28	BH-7793-69	2-0098	4	Track Roller Assembly
29	call	6-0224	4	Thrust Washer, 3/8"
30	BH-7791-49	1-0204	4	Spring Stem
31	F-LW-0250	6-0056	7	Lock Washer, 1/4"
32	F-HC-0250-20-0750	6-0178	7	Hex Bolt, 1/4"-20 x 3/4"
33	BH-7791-59	1-0262	2	Arm Stop
34	BH-7791-39	1-0130	2	Cam Follower
35	BH-7801-98	6-0671	3	Clip
36	BH-7790-23	6-0081	4	Spring
37	BH-7790-98	6-0042	4	Nylon Nut, 3/8"
38	F-HC-0375-16-0750	6-0030	4	Hex Bolt, 3/8"-16 x 3/4"
39	F-LW-0375	6-0058	4	Lock Washer, 3/8"
40	BH-7792-01	1-0608	2	Keeper Bracket
41	BH-7801-97	6-0670	1	Snap-In Grommet
42	BH-7799-24	4-0154	1	Bottom Frame
43	BH-7791-89	1-0589	1	Lever

Item	SVI part #	OEM #	Req	Description
44	BH-7801-21	6-0251	1	Knob, 3/8"-16
45	call	6-0178	2	Hex Bolt, 1/4"x3/4"
46	BH-7803-08	6-0960	1	Air/Hydraulic Pump
47	BH-7794-62	2-0757	1	Pump Shield
48	call	6-0968	1	Jam Nut, 1/4" NPT
49	call	6-0207	2	Flat Washer, #10
50	call	6-0068	2	Round Hd. Screw, #10 x 1/2"
50**	call	6-1076	2	Hex Hd. Screw, #10 x 1/2"
51	BH-7803-09	6-0966	1	90° Elbow, 1/4" NPT, F-3/8" Poly
52	BH-7792-60	1-1010	1	Poly Tube
53	BH-7806-10	6-0169	2	Self Tap. Screw, #10 x 3/8"
54	BH-7805-67	6-0536	2	Tube Clamp
55	BH-7802-32	6-0710	1	Adapter, 3/8" Poly to 1/4" NPT, M
56	BH-7803-10	6-0967	1	90° Elbow, 1/4" NPT, F-1/4" NPT, F
57	BH-7792-34	1-0805	1	Adapter with Restrictor
58	BH-7792-17	1-0765	1	Hydraulic Hose Assembly
59	BH-7791-87	1-0583	1	Scissor Pin "B"
60	BH-7791-86	1-0574	1	Center Shaft
61	BH-7801-37	6-0329	2	Retaining Ring
62	BH-7791-95	1-0599	2	Bottom Hinge Pin
63	F-SS-0250-20-0500	6-0438	6	Set Screw, 1/4"-20 x 1/2"
64	BH-7800-68	6-0072	4	Retaining Ring
65	BH-7791-94	1-0598	2	Top Hinge Pin
66	BH-7791-10	6-0441	4	Button Hd. Cap Screw, 1/4"-20 x 3/8"
67	call	6-0328	2	Thrust Washer
68	BH-7796-97	3-0433	1	Top Cover
69	BH-7796-64	3-0289	1	Scissor Arm, Inside
70	BH-7796-63	3-0288	1	Scissor Arm, Outside
71**	BH-7790-73	0-0190	1	Hydraulic Cylinder Seal Kit

NOTE: Items Listed with * are Included in Item 71 Seal Kit
 Items Listed with ** Indicates from Nov. 1999 Version



BH-7795-33
 (Ref 2-1174, 2-0264)
**Rolling Jack Adapter
 with Rubber Pad**

Space Saver Air Hydraulic Sliding Jack Beam, 4,500 lbs. (continued)

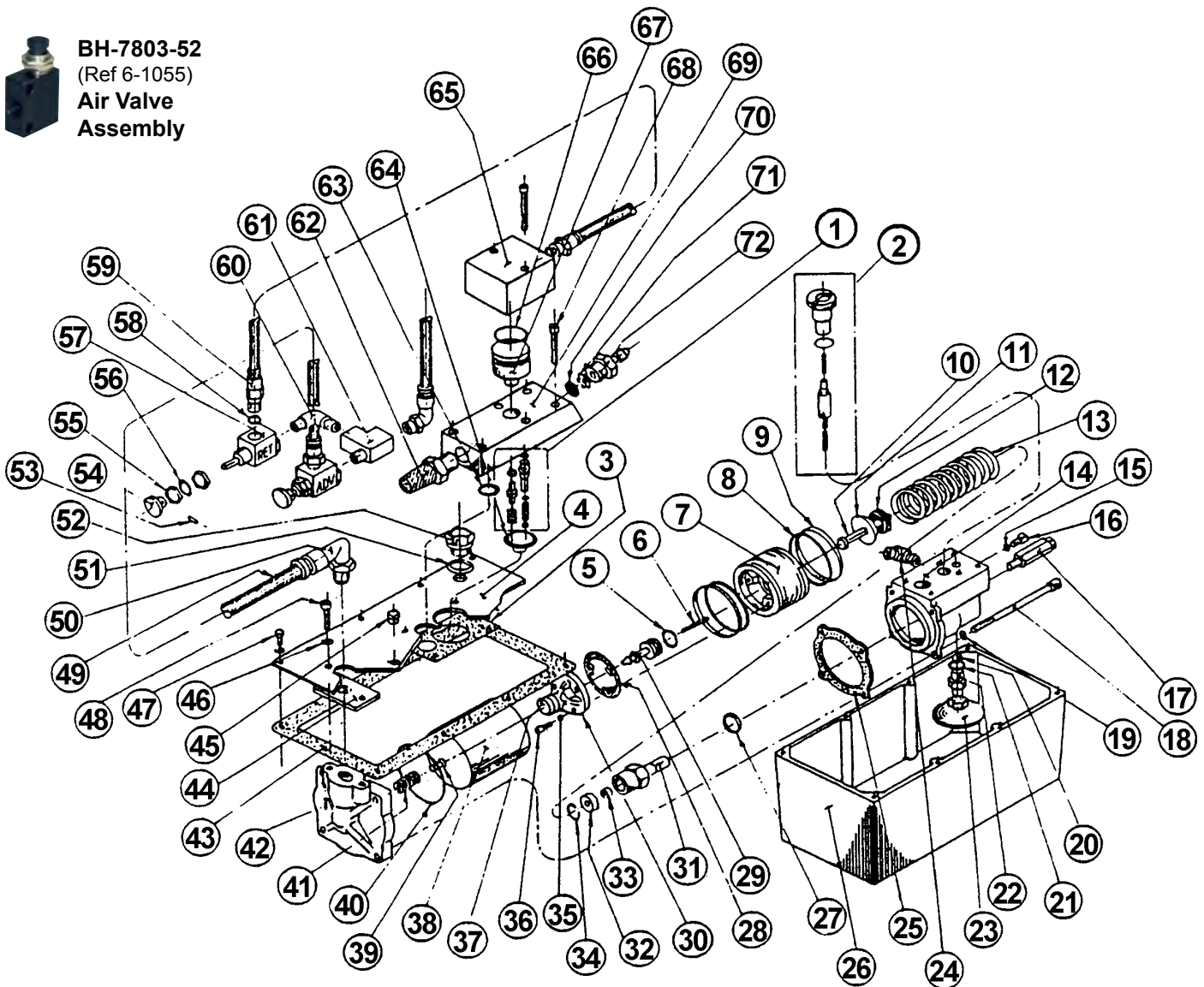
Air/Hydraulic Pump

Item	SVI part #	OEM #	Req	Description
1	BH-7803-13	6-0999	1	Check & Release Valves Assembly
2	BH-7798-24	6-1000	2	Release Valve Assembly
3	BH-7803-14	6-1001	1	Gasket
4	BH-7803-15	6-1002	1	Cover Plate
5	BH-7803-16	6-1003	1	"O" Ring
6	BH-7803-17	6-1004	1	Spring

Item	SVI part #	OEM #	Req	Description
7	BH-7803-18	6-1005	1	Piston Body
8	BH-7803-19	6-1006	2	"O" Ring
9	BH-7803-20	6-1007	2	Piston Ring
10	BH-7803-21	6-1008	1	Piston
11	BH-7803-22	6-1009	1	Spring Guide
12	BH-7803-23	6-1010	1	Bumper



BH-7803-52
(Ref 6-1055)
Air Valve
Assembly





Space Saver Air Hydraulic Sliding Jack Beam, 4,500 lbs. (continued)

Air/Hydraulic Pump (continued)

Item	SVI part #	OEM #	Req	Description
13	BH-7798-21	6-1011	1	Compression Spring
14	BH-7803-24	6-1012	1	Pump Body
15	call	6-1013	1	Copper Washer
16	call	6-1014	1	Cap Screw
17	BH-7803-25	6-1015	1	Relief Valve Assembly
18	call	6-1016	4	Hex-Socket Cap Screw
19	call	6-1017	4	Lock Washer
20	BH-7803-26	6-1018	1	Steel Ball
21	call	6-1019	1	Copper Washer
22	BH-7803-27	6-1020	1	Filter Adapter
23	BH-7803-28	6-1021	1	Filter Assembly
24	BH-7803-29	6-1022	1	90° Elbow
25	BH-7803-30	6-1023	1	Gasket
26	BH-7803-31	6-1024	1	Reservoir
27	call	6-1025	1	Copper Washer
28	BH-7803-32	6-1026	1	Gasket
29	BH-7803-33	6-1027	1	Exhaust Valve Stem
30	BH-7803-34	6-1028	1	Piston
31	BH-7803-35	6-1029	1	Cylinder
32	BH-7803-36	6-1030	1	Retainer
33	BH-7803-37	6-1031	1	"U" Cup
34	BH-7803-38	6-1032	1	Retaining Ring
35	call	6-1033	3	Lock Washer
36	call	6-1034	3	Hex-Socket Cap Screw
37	BH-7803-39	6-1035	1	Piston Poppet
38	BH-7803-40	6-1036	1	Air Cylinder
39	call	6-1037	1	Cap Screw
40	BH-7803-41	6-1038	1	Backup Ring
41	BH-7803-42	6-1039	1	Spring
42	BH-7803-43	6-1040	1	Rear Head
43	BH-7803-44	6-1041	1	Gasket
44	BH-7803-45	6-1042	1	Gasket

Item	SVI part #	OEM #	Req	Description
45	BH-7803-46	6-1043	1	Plug
46	call	6-1044	2	Flat Washer
47	call	6-1045	8	Screw
48	call	6-1046	2	Hex-Socket Cap Screw
49	BH-7803-47	6-1047	2	Poly Tube L=10"
50	BH-7803-48	6-1048	2	Elbow Fitting
51	BH-7803-49	6-1049	1	Rubber Gasket
52	BH-7803-50	6-1050	1	Breather Cap
53	call	6-1051	2	Hex Socket Set Screw
54	BH-7803-51	6-1052	2	Button
55	call	6-1053	4	Locknut
56	call	6-1054	2	Tooth Lock Washer
57	BH-7803-52	6-1055	2	Air Valve
58	call	6-1056	2	Plastic Washer
59	BH-7803-53	6-1057	2	Straight Fitting
60	BH-7803-54	6-1058	1	90° Elbow
61	BH-7803-55	6-1059	1	Connector
62	BH-7803-56	6-1060	1	Filter
63	BH-7803-57	6-1061	2	"O" Ring
64	BH-7803-58	6-1062	1	"O" Ring
65	BH-7803-59	6-1063	1	Valve Body
66	BH-7803-60	6-1064	1	"O" Ring
67	BH-7803-61	6-1065	1	Piston
68	call	6-1066	6	Hex-Socket Cap Screw
69	BH-7803-62	6-1067	1	Valve Body
70	BH-7803-63	6-1068	1	Filter
71	call	6-1069	1	Tooth Lockwasher
72	BH-7803-64	6-1070	1	Straight Adapter
72**	BH-7792-74	1-1079	1	Flow Control

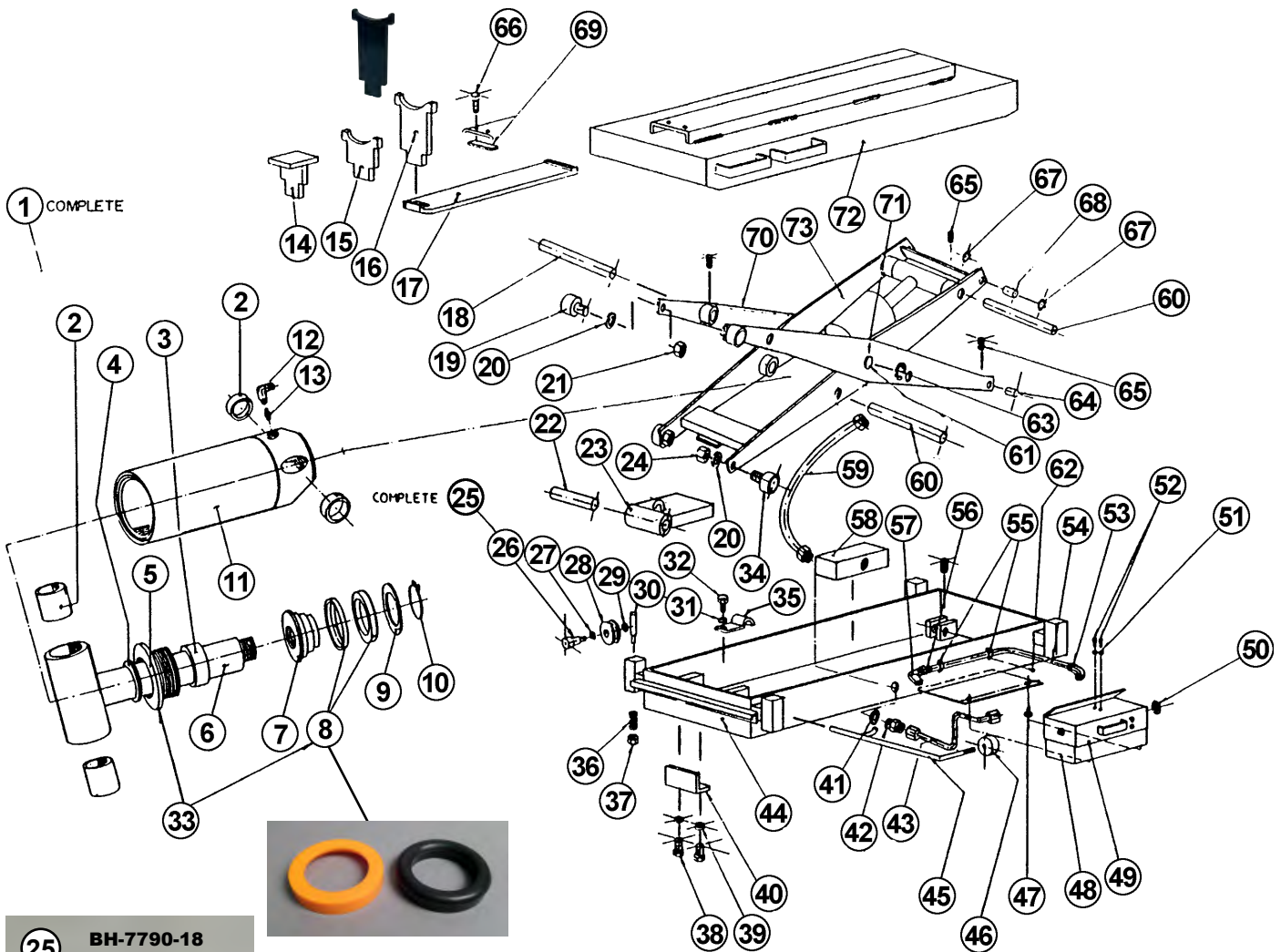
NOTE: Item Listed with ** Indicates from Nov. 1999 Version

Air Hydraulic Sliding Jack Beam, 6,000 lbs.

Item	SVI part #	OEM #	Req	Description
1	BH-7790-15	3-0362	2	Hydraulic Cylinder Assembly
2	BH-7802-71	6-0800	8	Sleeve Bearing
3	BH-7802-70	6-0799	2	Sleeve Bearing
4*	BH-7802-69	6-0798	2	Wiper Ring
5*	BH-7792-49	1-0880	2	Gland
6	BH-7794-32	2-0616	2	Piston Rod
7	BH-7792-50	1-0881	2	Piston

Item	SVI part #	OEM #	Req	Description
8*	BH-7801-86	6-0579	2	Seal & Wiper Ring
9	BH-7792-07	1-0725	2	Keeper Washer
10	BH-7805-66	6-0581	2	External Snap Ring
11	BH-7794-31	2-0614	2	Cylinder Tube
12	BH-7791-96	1-0600	2	90° Elbow

NOTE: Items Listed with * are Included in Item 33 Seal Kit





Air Hydraulic Sliding Jack Beam, 6,000 lbs.

(continued)

Item	SVI part #	OEM #	Req	Description
13	BH-7802-98	6-0911	2	Velocity Fuse
14	BH-7790-27	6-0264	2	Riser Bracket
14	BH-7795-33	2-1174	2	Rolling Jack Adapter with Rubber Pad
15	BH-7793-76	2-0163	2	Riser Short
16	BH-7793-77	2-0164	2	Riser Tall
17	BH-7791-85	1-0569	2	Lifting Arm
18	BH-7791-88	1-0584	1	Scissor Pin "B"
19	BH-7798-08	6-0076	2	1-1/2" Upper Cam Follower
20	BH-7791-52	1-0228	2	Spacer
21	F-HN-0625-18	6-0672	2	Hex Nut, 5/8"-18
22	BH-7791-83	1-0561	1	Safety Pin
23	BH-7791-84	1-0562	1	Safety Stop
24	F-JN-0625-18	6-0040	2	Jam Nut, 5/8"-18
25	BH-7790-18	6-0259	4	Roller Assembly (with spring)
26	BH-7791-09	6-0206	4	Shoulder Bolt, 3/8" x 1"
27	call	6-0223	4	Thrust Washer, 3/8"
28	BH-7793-69	2-0098	4	Track Roller Assembly
29	call	6-0224	4	Thrust Washer, 3/8"
30	BH-7791-49	1-0204	4	Spring Stem
31	F-LW-0250	6-0056	7	Lock Washer 1/4"
32	F-HC-0250-20-0750	6-0178	7	Hex Bolt, 1/4"-20 x 3/4"
33*	BH-7790-73	0-0190	1	Hydraulic Cylinder Seal Kit
34	BH-7791-39	1-0130	2	Cam Follower
35	BH-7801-98	6-0671	3	Clip
36	BH-7790-23	6-0081	4	Spring
37	BH-7790-98	6-0042	4	Nylon Nut, 3/8"
38	F-HC-0375-16-0750	6-0030	4	Hex Bolt, 3/8"-16 x 3/4"
39	F-LW-0375	6-0058	4	Lock Washer, 3/8"
40	BH-7792-01	1-0608	2	Keeper Bracket
41	BH-7801-97	6-0670	1	Snap-In Grommet
42	BH-7798-51	6-0281	1	Adapter, 1/4" NPT, M-1/4" JIC M
43	BH-7792-32	1-0803	1	Hydraulic Line
44	BH-7799-24	4-0154	1	Bottom Frame

Item	SVI part #	OEM #	Req	Description
45	BH-7791-89	1-0589	1	Lever
46	BH-7801-21	6-0251	1	Knob, 3/8"-16
47	call	6-0178	2	Hex Bolt, 1/4"x3/4"
48	BH-7803-08	6-0960	1	Air/Hydraulic Pump
49	BH-7794-62	2-0757	1	Pump Shield
50	call	6-0968	1	Jam Nut, 1/4" NPT
51	call	6-0207	2	Flatwasher, #10
52	call	6-0068	2	Round Hd. Screw, #10 x 1/2"
53	BH-7803-09	6-0966	1	90° Elbow, 1/4" NPT, F-3/8" Poly
54	BH-7792-60	1-1010	1	Poly Tube
55	BH-7805-67	6-0536	2	Tube Clamp
56	BH-7802-32	6-0710	1	Adapter
57	BH-7803-10	6-0967	1	90° Elbow, 1/4" NPT, F-1/4"NPT, F
58	BH-7791-82	1-0560	1	Manifold
59	BH-7791-97	1-0601	2	Hydraulic Hose Assembly
60	BH-7791-87	1-0583	2	Scissor Pin "A"
61	BH-7791-86	1-0574	1	Center Shaft
62	BH-7806-10	6-0169	2	Self Tap. Screw, #10 x 3/8"
63	BH-7801-37	6-0329	2	Retaining Ring
64	BH-7791-95	1-0599	2	Bottom Hinge Ring
65	F-SS-0250-20-0500	6-0438	10	Set Screw, 1/4"-20 x 1/2"
66	BH-7791-40	6-0441	4	Button Hd. Capscrew, 1/4"-20 x 3/8"
67	BH-7800-68	6-0072	4	Retaining Ring
68	BH-7791-94	1-0598	2	Top Hinge Pin
69	BH-7791-59	1-0262	2	Arm Stop
70	BH-7796-63	3-0288	2	Scissor Arm, Outside
71	call	6-0328	2	Thrust Washer
72	BH-7796-62	3-0286	1	Top Cover
73	BH-7796-64	3-0289	1	Scissor Arm, Inside

NOTE: Items Listed with * are Included in Item 33 Seal Kit

Air Hydraulic Sliding Jack Beam, 6,000 lbs.

(continued)

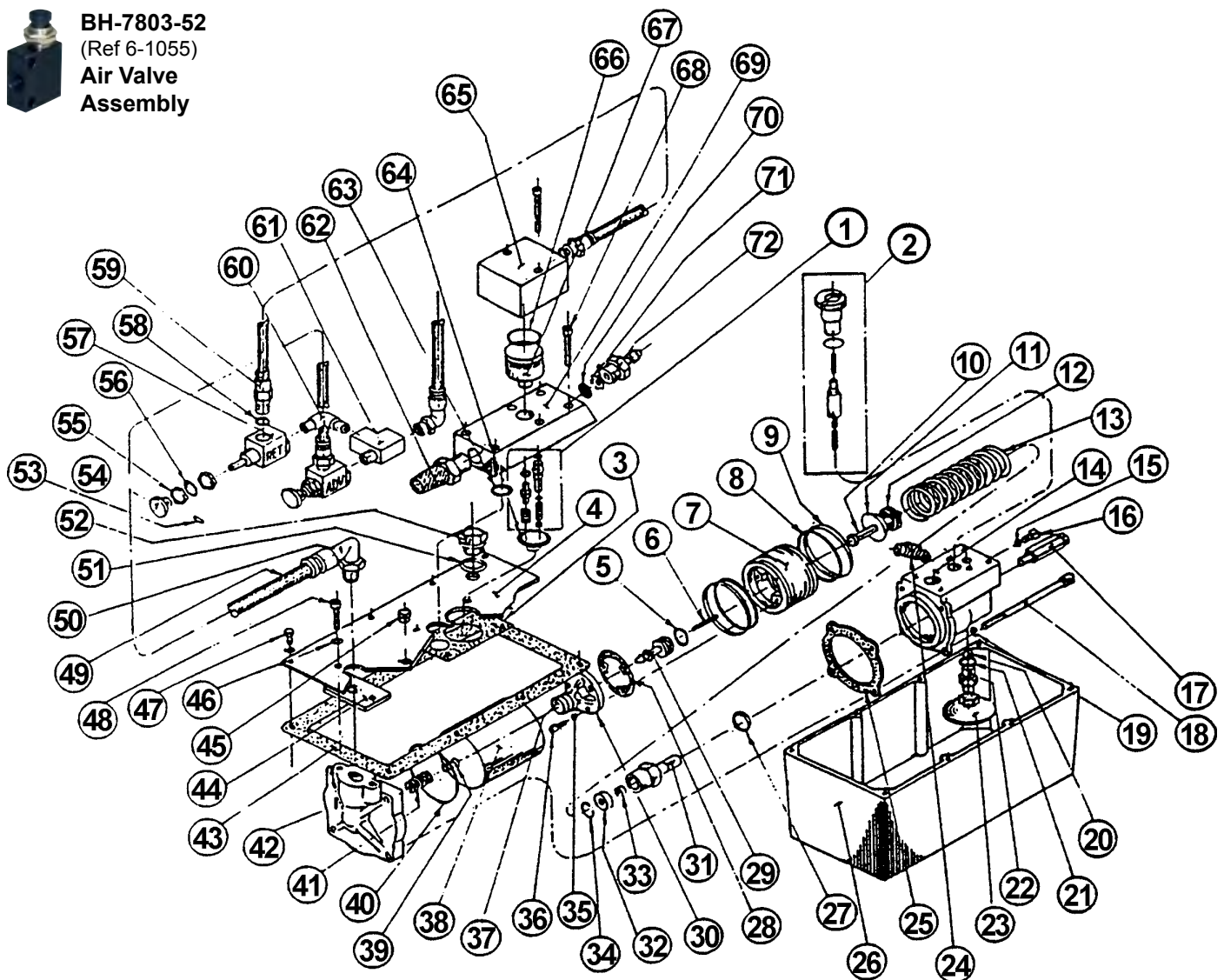
Air Hydraulic Pump

Item	SVI part #	OEM #	Req	Description
1	BH-7803-13	6-0999	1	Check & Release Valves Assembly
2	BH-7798-24	6-1000	2	Release Valve Assembly
3	BH-7803-14	6-1001	1	Gasket
4	BH-7803-15	6-1002	1	Cover Plate
5	BH-7803-16	6-1003	1	"O" Ring
6	BH-7803-17	6-1004	1	Spring

Item	SVI part #	OEM #	Req	Description
7	BH-7803-18	6-1005	1	Piston Body
8	BH-7803-19	6-1006	2	"O" Ring
9	BH-7803-20	6-1007	2	Piston Ring
10	BH-7803-21	6-1008	1	Piston
11	BH-7803-22	6-1009	1	Spring Guide
12	BH-7803-23	6-1010	1	Bumper



BH-7803-52
(Ref 6-1055)
Air Valve
Assembly





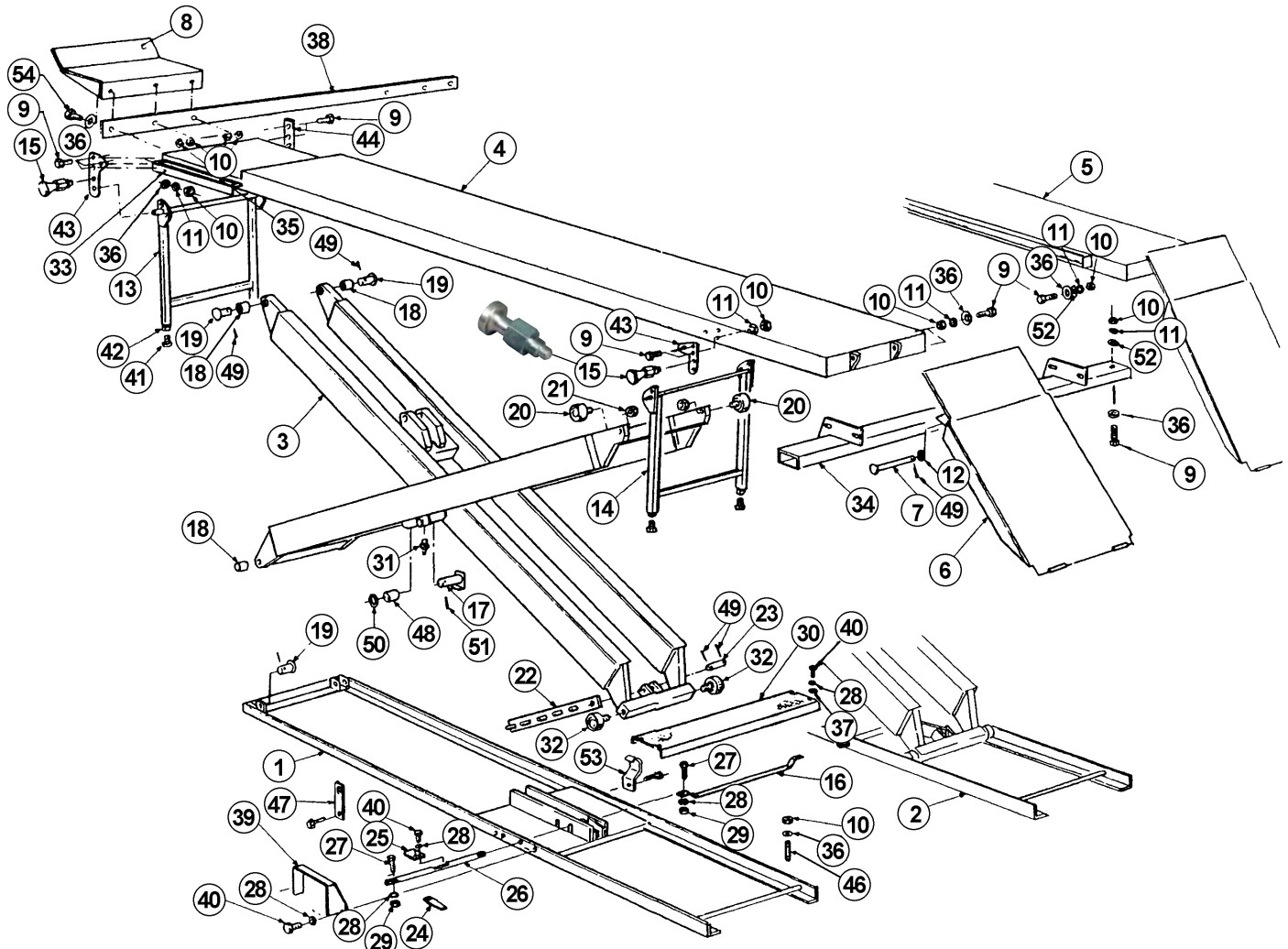
Air Hydraulic Sliding Jack Beam, 6,000 lbs. (continued)

Air/Hydraulic Pump

Item	SVI part #	OEM #	Req	Description
13	BH-7798-21	6-1011	1	Compression Spring
14	BH-7803-24	6-1012	1	Pump Body
15	call	6-1013	1	Copper Washer
16	call	6-1014	1	Cap Screw
17	BH-7803-25	6-1015	1	Relief Valve Assembly
18	call	6-1016	4	Hex-Socket Cap Screw
19	call	6-1017	4	Lock Washer
20	BH-7803-26	6-1018	1	Steel Ball
21	call	6-1019	1	Copper Washer
22	BH-7803-27	6-1020	1	Filter Adapter
23	BH-7803-28	6-1021	1	Filter Assembly
24	BH-7803-29	6-1022	1	90° Elbow
25	BH-7803-30	6-1023	1	Gasket
26	BH-7803-31	6-1024	1	Reservoir
27	call	6-1025	1	Copper Washer
28	BH-7803-32	6-1026	1	Gasket
29	BH-7803-33	6-1027	1	Exhaust Valve Stem
30	BH-7803-34	6-1028	1	Piston
31	BH-7803-35	6-1029	1	Cylinder
32	BH-7803-36	6-1030	1	Retainer
33	BH-7803-37	6-1031	1	"U" Cup
34	BH-7803-38	6-1032	1	Retaining Ring
35	call	6-1033	3	Lock Washer
36	call	6-1034	3	Hex-Socket Cap Screw
37	BH-7803-39	6-1035	1	Piston Poppet
38	BH-7803-40	6-1036	1	Air Cylinder
39	call	6-1037	1	Cap Screw
40	BH-7803-41	6-1038	1	Backup Ring
41	BH-7803-42	6-1039	1	Spring
42	BH-7803-43	6-1040	1	Rear Head

Item	SVI part #	OEM #	Req	Description
43	BH-7803-44	6-1041	1	Gasket
44	BH-7803-45	6-1042	1	Gasket
45	BH-7803-46	6-1043	1	Plug
46	call	6-1044	2	Flat Washer
47	call	6-1045	8	Screw
48	call	6-1046	2	Hex-Socket Cap Screw
49	BH-7803-47	6-1047	2	Poly Tube L=10"
50	BH-7803-48	6-1048	2	Elbow Fitting
51	BH-7803-49	6-1049	1	Rubber Gasket
52	BH-7803-50	6-1050	1	Breather Cap
53	call	6-1051	2	Hex-Socket Set Screw
54	BH-7803-51	6-1052	2	Button
55	call	6-1053	4	Lock Nut
56	call	6-1054	2	Tooth Lock Washer
57	BH-7803-52	6-1055	2	Air Valve
58	call	6-1056	2	Plastic Washer
59	BH-7803-53	6-1057	2	Straight Fitting
60	BH-7803-54	6-1058	1	90° Elbow
61	BH-7803-55	6-1059	1	Connector
62	BH-7803-56	6-1060	1	Filter
63	BH-7803-57	6-1061	2	"O" Ring
64	BH-7803-58	6-1062	1	"O" Ring
65	BH-7803-59	6-1063	1	Valve Body
66	BH-7803-60	6-1064	1	"O" Ring
67	BH-7803-61	6-1065	1	Piston
68	call	6-1066	6	Hex-Socket Cap Screw
69	BH-7803-62	6-1067	1	Valve Body
70	BH-7803-63	6-1068	1	Filter
71	call	6-1069	1	Tooth Lock Washer
72	BH-7803-64	6-1070	1	Straight Adapter

Space Saver, 9,000 Series



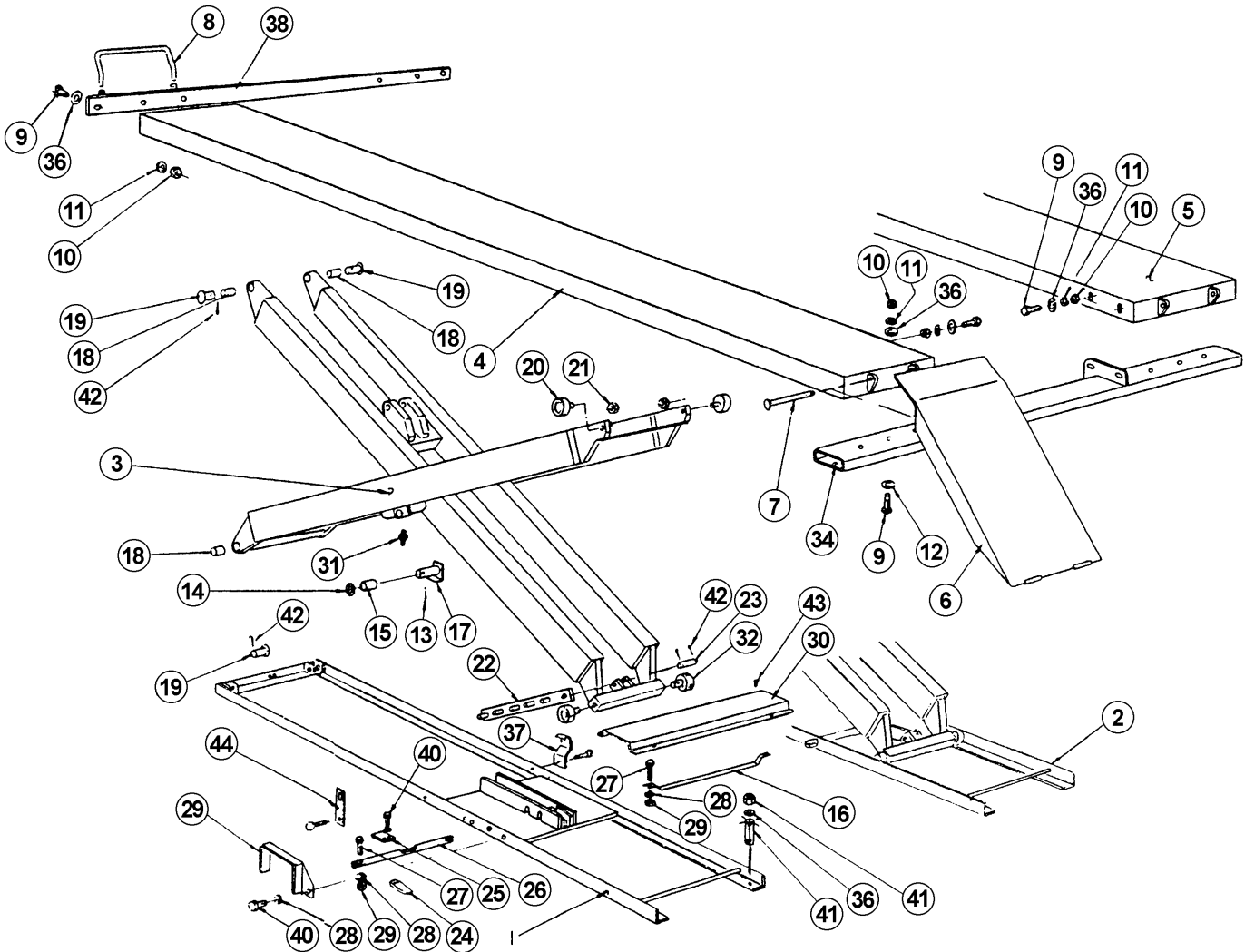
Item	SVI part #	OEM #	Req	Description
1	BH-7799-08	4-0112	1	Base Frame, L.S.
2	BH-7799-09	4-0113	1	Base Frame, R.S.
3	BH-7798-87	4-0002	2	Scissor Weldment
4	BH-7799-10	4-0114	1	Alignment Deck, L.S. 144" W/B
	BH-7805-50	4-0116	1	Alignment Deck, L.S. 172" W/B
5	BH-7799-17	4-0127	1	Alignment Deck, R.S. 144" W/B
	BH-7799-21	4-0137	1	Alignment Deck, R.S. 172" W/B
6	BH-7796-57	3-0242	2	Approach Ramp 144" W/B
	BH-7796-61	3-0285	2	Approach Ramp 172" W/B
7	BH-7791-19	1-0095	2	Ramp Pin
8	BH-7794-76	2-0851	2	Front Wheel Stop
9	F-HC-0500-13-1500	6-0291	26	Hex Bolt, 1/2"-13 x 1-1/2"
10	F-HN-0500-13	6-0035	4	Hex Nut, 1/2"-13
11	F-LW-0500	6-0059	24	Lock Washer, 1/2"
12	call	6-0808	2	51/64" x 1" x 1/8" Thk. Flatwasher
13	BH-7796-58	3-0248	2	Leveling Leg., F.L., R.R.
14	BH-7796-60	3-0272	2	Leveling Leg., F.R. R.L.
15	BH-7790-24	2-0086	4	Plunger Pin Assembly
16	BH-7793-66	2-0071	1	Safety Release Conn. Rod
17	BH-7805-52	1-0106	4	Fulcrum Pin, 1-1/4"
18	BH-7800-70	6-0085	8	Bushing, 1"

Item	SVI part #	OEM #	Req	Description
19	BH-7791-29	1-0107	8	End Hinge Pin, 1"
20	BH-7801-88	6-0637	4	Cam Follower
21	F-JN-0625-18	6-0040	4	Jam Nut, 5/8"-18
22	BH-7794-01	2-0405	2	Safety Bar
23	BH-7791-81	1-0547	2	Safety Pin
24	BH-7793-83	2-0194	2	Safety Pedal
25	BH-7791-46	1-0189	2	Safety Release Tab
26	BH-7793-65	2-0069	2	Safety Release Rod
27	F-HC-0250-20-1250	6-0027	6	Hex Bolt, 1/4"-20 x 1-1/4"
28	F-LW-0250	6-0056	18	Lock Washer, 1/4"
29	F-HN-0250-20	6-0032	6	Hex Nut, 1/4"-20
30	BH-7796-84	3-0365	1	Center Cover
31	BH-7800-51	6-0000	4	Grease Nipple
32	BH-7790-26	6-0077	4	2" Cam Follower
33	BH-7793-97	2-0362	2	Pull Out Step Assembly
34	BH-7796-59	3-0251	1	Rear Crossmember
35	BH-7792-14	1-0749	2	Safety Walk Tape
36	call	6-0063	26	Plain Washer, 1/2"
37	F-FW-0250-USS	6-0060	4	Flat Washer, 1/4"
38	BH-7796-15	3-0007	1	Fnt. Crossmember, 172" W/B
39	BH-7791-14	1-0086	2	Toe Guard

Space Saver, 9,000 Series (continued)

Item	SVI part #	OEM #	Req	Description
40	F-HC-0250-20-0750	6-0178	12	Hex Bolt, 1/4"-20 x 3/4"
41	call	6-0049	8	Tap Bolt, 5/8"-11 x 4"
42	F-JN-0625-11	6-0039	8	Jam Nut, 5/8"-11
43	BH-7790-25	2-0999	4	Front Outside Leg Bracket
44	BH-7795-05	2-1000	2	Front Inside Leg Bracket
46	BH-7800-99	6-0140	12	Wedge Anchor, 1/2" x 4-1/2"
47	BH-7793-88	2-0266	2	Flat Shipping Bracket
48	BH-7800-69	6-0084	4	Bushing, 1-1/4"

Item	SVI part #	OEM #	Req	Description
49	BH-7798-76	6-0115	14	Cotter Pin, 1/8" x 2"
50	BH-7791-42	1-0140	4	Washer
51	BH-7801-02	6-0146	4	Spring Pin, 3/16" x 2"
52	F-FW-0500-USS 6-0439	6-0439	6	Flat Washer, 1/2"
53	BH-7793-70	2-0112	2	Shipping Bracket
54	F-HC-0500-13-1500	6-0291	6	Hex Bolt, 1/2"-13 x 1-1/2" (144" W/B)
	F-HC-0500-13-1750	6-0047	6	Hex Bolt, 1/2"-13 x 1-3/4" (172"W/B)



Main Frame Assembly, Service & Rust Proofer

Item	SVI part #	OEM #	Req	Description
1	BH-7799-08	4-0112	1	Base Frame, Driver Side
2	BH-7791-35	1-0113	1	Base Frame, Pass. Side
3	BH-7798-87	4-0002	2	Scissor Weldment
4	BH-7799-15	4-0122	1	Ser. Deck, Driver Side (144" W/B)
	BH-7799-12	4-0118	1	Ser. Deck, Driver Side (172" W/B)
	BH-7799-13	4-0120	1	Rust Proofer Deck, Driver Side (144" W/B)
	BH-7799-19	4-0133	1	Rust Proofer Deck, Driver Side (172" W/B)

Item	SVI part #	OEM #	Req	Description
5	BH-7799-16	4-0123	1	Ser. Deck, Pass. Side (144" W/B)
	BH-7799-18	4-0130	1	Ser. Deck, Pass. Side (172" W/B)
	BH-7799-14	4-0121	1	Rust Proof Deck, Pass.Side (144" W/B)
	BH-7799-20	4-0134	1	Rust Proof Deck, Pass.Side (172" W/B)
6	BH-7796-57	3-0242	2	Approach Ramp, (144" W/B)
	BH-7796-61	3-0285	2	Approach Ramp, (172" W/B)
7	BH-7791-19	1-0095	2	Ramp Pin
8	BH-7793-90	2-0275	2	Front Wheel Stop, (Removable)
9	F-HC-0500-13-1500	6-0291	10	Hex Bolt, 1/2"-13 x 1-1/2"

P
a
g
e

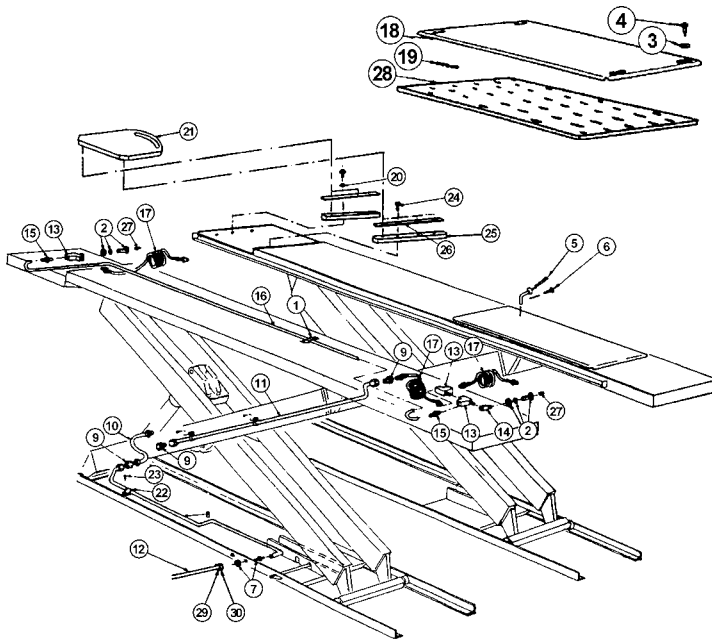


Space Saver, 9,000 Series (continued)

Main Frame Assembly, Service & Rust Proofer

Item	SVI part #	OEM #	Req	Description
10	F-HN-0500-13	6-0035	22	Hex Nut, 1/2"-13
11	F-LW-0500	6-0059	14	Lock Washer, 1/2"
12	F-FW-0500-USS	6-0439	6	1/2" Flat Washer
13	BH-7801-02	6-0146	4	Spring Pin, 3/16" x 2"
14	BH-7791-42	1-0140	4	Washer
15	BH-7800-69	6-0084	4	Bushing, 1-1/4"
16	BH-7793-66	2-0071	1	Safety Rel. Conn. Rod
17	BH-7791-20	1-0096	4	Fulcrum Pin
18	BH-7800-70	6-0085	8	Bushing Bronze, 1"
19	BH-7791-29	1-0170	8	End Hinge, 1"
20	BH-7801-88	6-0637	4	Cam Follower
21	F-JN-0625-18	6-0040	4	Jam Nut, 5/8"-18
22	BH-7794-01	2-0405	2	Safety Bar
23	BH-7790-95	1-0034	2	Pins
24	BH-7793-83	2-0194	2	Safety Pedal
25	BH-7791-46	1-0189	2	Safety Release Tab
26	BH-7793-65	2-0069	2	Safety Release Rod

Item	SVI part #	OEM #	Req	Description
27	F-HC-0250-20-1250	6-0027	6	Hex Bolt, 1/4"-20 x 1-1/4"
28	F-LW-0250	6-0056	14	Lock Washer, 1/4"
29	F-HN-0250-20	6-0032	8	Hex Nut, 1/4"-20
30	BH-7796-84	3-0365	1	Center Cover
31	BH-7800-51	6-0000	4	Grease Nipple
32	BH-7790-26	6-0077	4	2" Cam Follower
34	BH-7796-59	3-0251	1	Rear Crossmember
36	F-FW-0500-USS	6-0063	2	Plain Washer, 1/2"
37	BH-7793-70	2-0112	2	Shipping Bracket
38	BH-7796-17	3-0009	1	Front Crossmember, (Some Models)
39	BH-7791-14	1-0086	2	Toe Guard
40	F-HC-0250-20-0750	6-0178	8	Hex Bolt, 1/4"-20 x 3/4"
41	BH-7800-99	6-0140	12	Wedge Anchor, 1/2" x 4-1/2"
42	BH-7798-76	6-0115	14	Cotter Pint, 1/8" x 2"
43	BH-7801-00	6-0141	4	Concrete Nail, 1/4" x 1"
44	BH-7793-88	2-0266	2	Flat Shipping Bracket



Item	SVI part #	OEM #	Req	Description
6	call	6-0505	4	Self-Tap Screw, #10 x 1/2"
7	BH-7800-61	6-0013	1	Bulkhead, Conn. 3/8" JIC C/W Jam Nut
8	BH-7796-20	3-0017	1	Tube Assembly
9	BH-7800-84	6-0118	3	Adapter, 3/8" JIC M to 1/4" NPT F
10	BH-7791-37	1-0119	1	Hose Assembly
11	BH-7793-60	2-0062	1	Tube Assembly
12	BH-7801-08	6-0171	1	Supply Tube, 3/8" x .049" x 20"
13	BH-7800-62	6-0014	3	Street Tee, 1/4" NPT
14	BH-7800-63	6-0015	1	Street Elbow, 1/4" NPT
15	BH-7802-32	6-0710	2	Poly Tube Straight Adapter, 3/8" x 1/4" NPT
16	BH-7791-38	1-0120	1	Hose, 144" W/B
	BH-7791-41	1-0139	1	Hose, 172" W/B
17	BH-7798-06	6-0337	3	12' Coiled Hose
18	BH-7796-49	3-0197	2	Rear Slip Plate
19	BH-7790-35	6-0829	1 set	Ball Bearings (225)
20	F-LW-0250	6-0056	12	Lock Washer, 1/4"
21	call	4-0220	2	Turnplate
22	BH-7798-50	6-0170	4	Tube Clamp
23	BH-7806-10	6-0169	4	Self Tap Screw, #10 x 3/8"
24	F-HC-0250-20-1250	6-0027	12	Hex Hd. Bolt, 1/4"-20 x 1-1/4"
25	BH-7794-36	2-0636	4	Space Bar
26	BH-7794-35	2-0635	4	Retaining Bar
27	BH-7801-31	6-0282	2	Plug, 1/4" NPT
28	BH-7790-34	3-0196	2	Rear Bearing Cage
29	BH-7800-64	6-0017	2	Tubing Sleeve, JIC
30	call	6-0016	2	Tubing Nut, 3/8" JIC

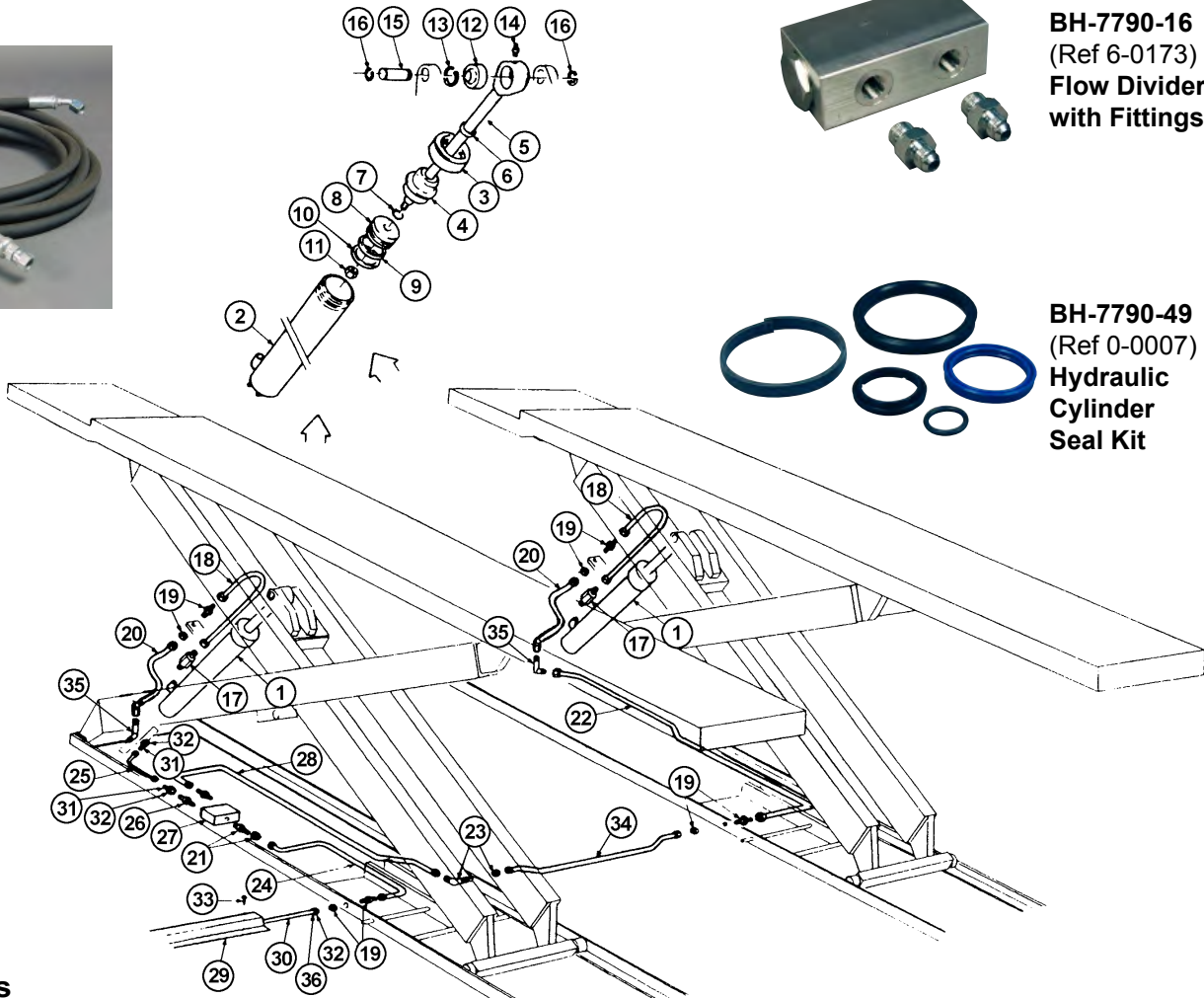
Options

Item	SVI part #	OEM #	Req	Description
1	BH-7801-73	6-0500	5	Frame Clip
2	BH-7801-06	6-0167	2	Terminal Bolt, 3/4"-16m w/ 1/4" NPT F
3	call	6-0426	8	Flat Washer
4	call	6-0069	8	Shoulder Bolt, 3/8" x 5/8"
5	BH-7794-37	2-0637	4	Locking Pin Assembly



DIRECTFIT™

Space Saver, 9,000 Series (continued)



BH-7790-16
(Ref 6-0173)
Flow Divider with Fittings



BH-7790-49
(Ref 0-0007)
Hydraulic Cylinder Seal Kit

Hydraulics

Item	SVI part #	OEM #	Req	Description
1	BH-7796-08	3-0000	2	Hydraulic Cylinder
2	BH-7805-51	2-0000	1	Tube Weldment
3	BH-7790-90	1-0011	1	Nut Gland
4	BH-7790-89	1-0008	1	Gland
5	BH-7793-44	2-0001	1	Rod Weldment
6*	BH-7800-52	6-0001	1	Wiper Ring
7*	BH-7800-53	6-0002	1	"O" Ring
8	BH-7790-88	1-0007	1	Piston
9*	BH-7800-54	6-0003	1	Seal Ring
10*	BH-7800-55	6-0004	1	Wear Ring
11	F-NL-0875-14	6-0005	1	Nylon Ins. Locknut, 7/8"-14
12	BH-7800-56	6-0007	1	Bearing
13	BH-7800-67	6-0070	1	Retaining Ring
14	BH-7800-51	6-0000	1	Grease Nipple
15	BH-7790-93	1-0029	2	Pin
16	BH-7798-49	6-0340	4	Retaining Ring
17	BH-7790-20	6-0025	2	Velocity Fuse
18	BH-7791-17	1-0093	2	Tube Assembly Cylinder
19	BH-7800-61	6-0013	4	Blkhd., Conn. 3/8" JIC C/W Jam Nut
20	BH-7790-33	2-0624	2	Hose Assembly
21	BH-7801-12	6-0176	1	Blkhd. Adapter, 3/8" BSF to 3/8" JIC
22	BH-7793-64	2-0068	1	Tube Assembly, R.H.

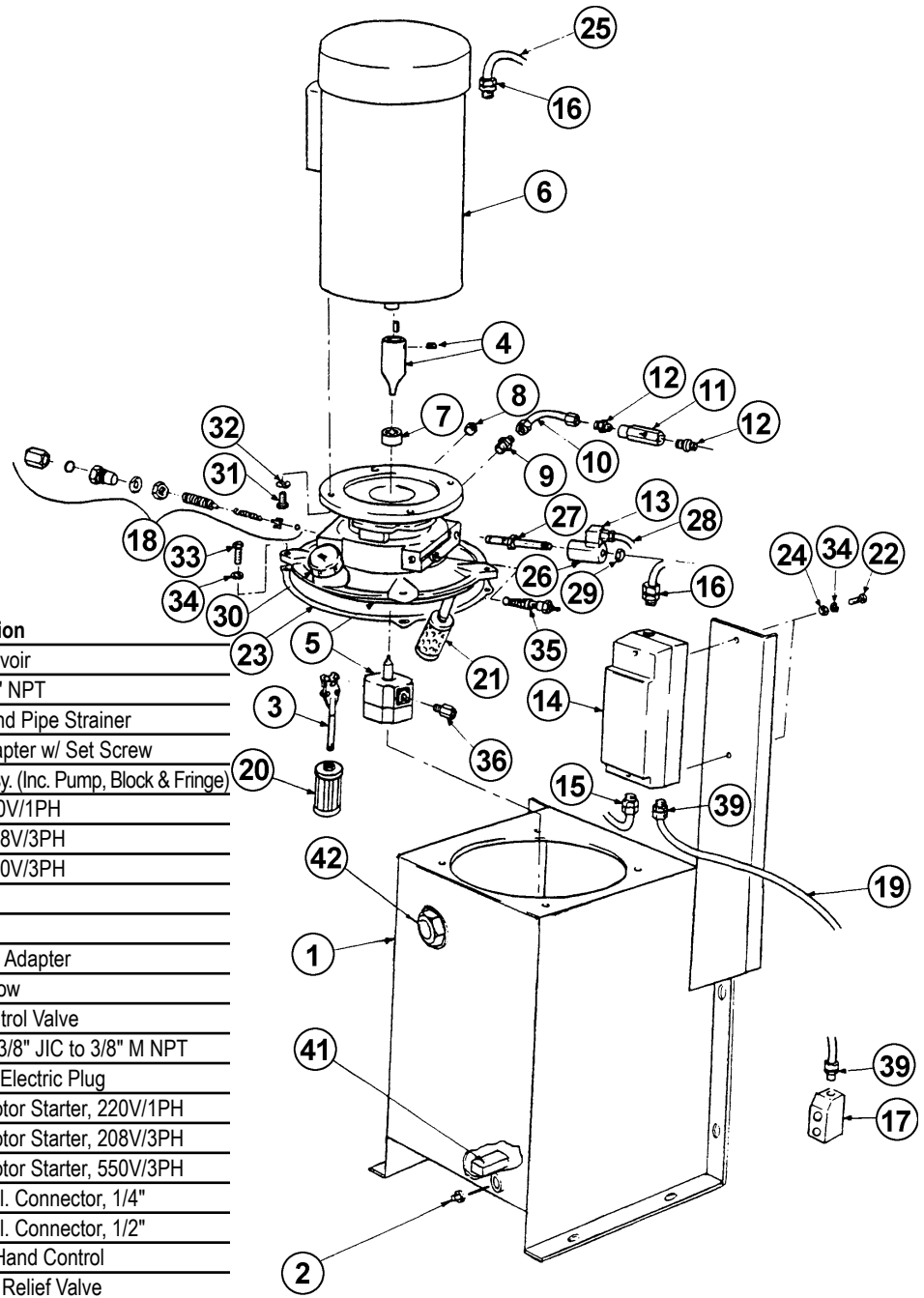
Item	SVI part #	OEM #	Req	Description
23	BH-7798-41	6-0012	1	Blkhd., 90° Elbow, 3/8" JIC M C/W Jam Nut
24	BH-7793-61	2-0064	1	Tube Assembly
25	BH-7793-78	2-0182	1	Tube Assembly
26	BH-7801-04	6-0156	2	Adapter, 3/8" BSF to 3/8" JIC
27	BH-7790-16	6-0173	1	Flow Divider (with Fittings)
28	BH-7793-63	2-0066	1	Tube Assembly
29	BH-7795-27	2-1104	5	Line Cover (Different sizes available) (Available as Foot Only Traffic or Drive Over Versions, Please Specify.)
30	BH-7801-08	6-0171	1	Supply Tube, 3/8" x .049" Wall x 20'
31	BH-7801-41	6-0378	2	Reducer Nipple, 3/8" to 1/4"
32	call	6-0016	2	Nut, 3/8" Tube
33	BH-7801-00	6-0141	22	Concrete Nail, 1/4" x 1"
34	BH-7793-62	2-0065	1	Tube Assembly
35	BH-7801-10	6-0174	2	Adapter, 90° Extended
36	BH-7800-64	6-0017	2	Sleeve

* Hydraulic Cylinder Seal Kit Part # 0-0007, Order BH-7790-47

Complete Power Packs

BH-7790-50	0-0014	Hydraulic Power Pack 220V/1PH
BH-7790-51	0-0015	Hydraulic Power Pack 550V/3PH
BH-7790-52	0-0016	Hydraulic Power Pack 220V/3PH

Space Saver, 9,000 Series (continued)

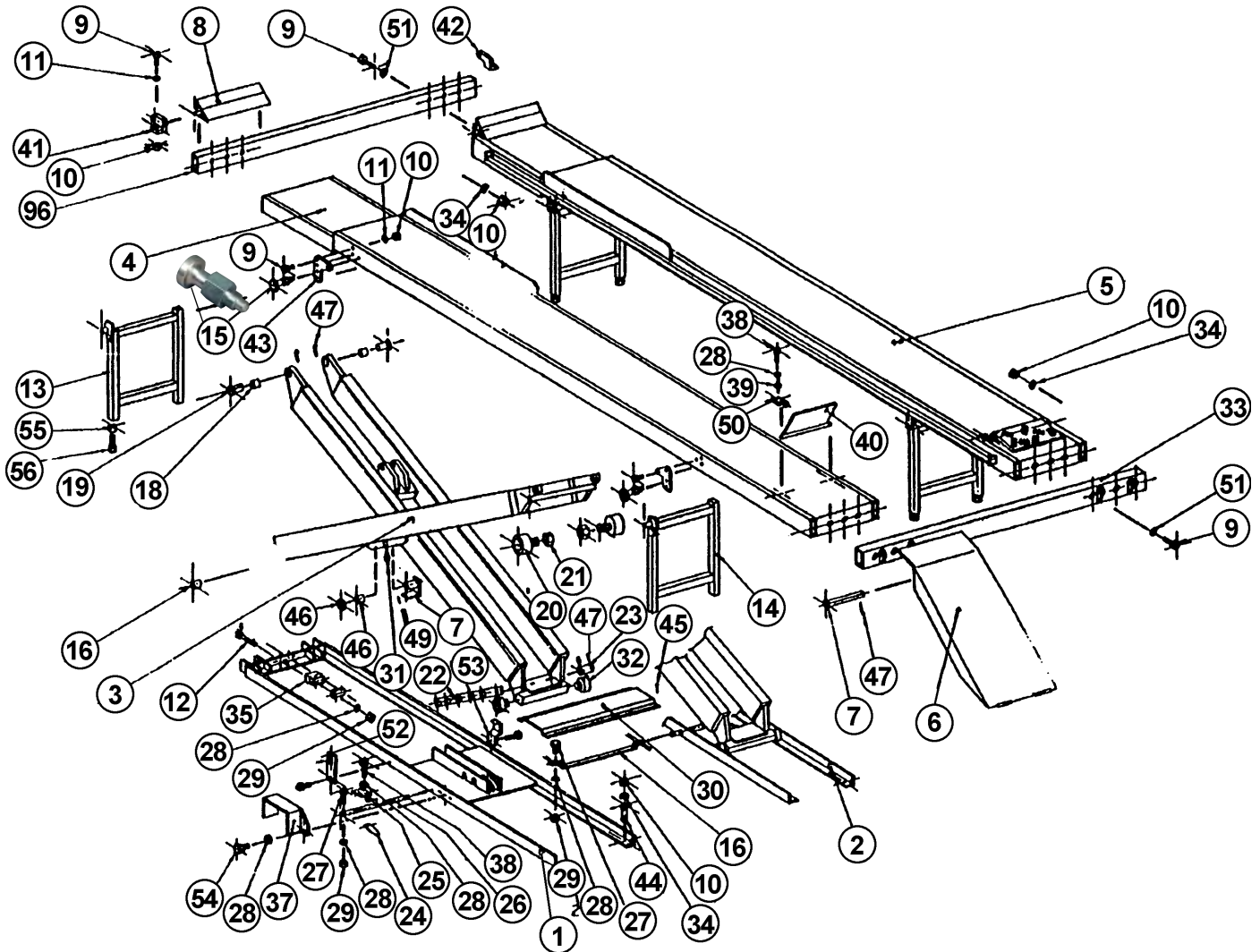


Power Pack

Item	SVI part #	OEM #	Req	Description
1	BH-7799-22	4-0146	1	Oil Reservoir
2	BH-7800-82	6-0102	1	Plug, 3/8" NPT
3	BH-7801-47	6-0428	1	Flange and Pipe Strainer
4	BH-7801-48	6-0429	1	Shaft Adapter w/ Set Screw
5	BH-7801-52	6-0433	1	Pump Assy. (Inc. Pump, Block & Fringe)
6	BH-7800-71	6-0087	1	Motor 200V/1PH
	BH-7801-54	6-0446	1	Motor, 208V/3PH
	BH-7801-55	6-0447	1	Motor, 550V/3PH
7	BH-7801-49	6-0430	1	Coupling
8	BH-7800-73	6-0089	1	Plug
9	BH-7800-66	6-0020	1	Hydraulic Adapter
10	BH-7791-24	1-0102	1	Tube Elbow
11	BH-7800-74	6-0090	1	Flow Control Valve
12	BH-7800-59	6-0011	2	Adapter, 3/8" JIC to 3/8" M NPT
13	BH-7800-75	6-0091	1	Solenoid Electric Plug
14	BH-7802-72	6-0805	1	Contr. Motor Starter, 220V/1PH
	BH-7801-56	6-0448	1	Contr. Motor Starter, 208V/3PH
	BH-7801-57	6-0449	1	Contr. Motor Starter, 550V/3PH
15	BH-7800-76	6-0092	1	Strain Rel. Connector, 1/4"
16	BH-7800-78	6-0094	2	Strain Rel. Connector, 1/2"
17	BH-7798-07	6-0096	1	Remote Hand Control
18	BH-7801-50	6-0431	1	Pressure Relief Valve
19	BH-7791-25	1-0103	1	Remote Control Cable
20	BH-7801-53	6-0434	1	Strainer
21	BH-7800-79	6-0097	1	Oil Filter
22	F-MS-0250-20-0500	6-0400	2	Rd. Hd. Screw, 1/4"-20 x 1/2"
23	BH-7791-51	1-0225	1	Rubber Gasket
24	F-HN-0250-20	6-0032	2	Nut, 1/4"-20
25	BH-7791-26	1-0104	1	Motor Cable
26	BH-7790-39	6-0100	1	Solenoid
27	BH-7790-29	6-0101	1	Solenoid Valve Spool
28	BH-7791-27	1-0105	1	Solenoid Cable
29	BH-7801-51	6-0432	1	Cap Nut for Solenoid
30	BH-7800-81	6-0099	1	Filter Cap
31	F-HC-0375-16-1000	6-0067	4	Hex Bolt, 3/8"-16 x 1"

Item	SVI part #	OEM #	Req	Description
32	F-LW-0375	6-0058	4	Lock Washer, 3/8"
33	F-HC-0250-20-1000	6-0027	4	Hex Bolt, 1/4"-20 x 1"
34	F-LW-0250	6-0056	6	Lock Washer, 1/4"
35	BH-7790-40	6-0145	1	Manual Descend Valve
36	BH-7801-01	6-0144	1	Pres. Time Delay Valve
37	BH-7801-00	6-0141	4	Concrete nail, 1/4" x 1"
38	BH-7801-42	6-0379	16L	Hydraulic Oil, ISO-32
39	BH-7800-77	6-0093	2	Strain Rel. Conn., 3/8"
40	BH-7801-43	6-0385	1	Anti-Slip Diff. Fluid
41	BH-7801-44	6-0405	1	Magnet
42	BH-7801-80	6-0517	1	Oil Sight Level Plug

Space Saver, 12,000 Series



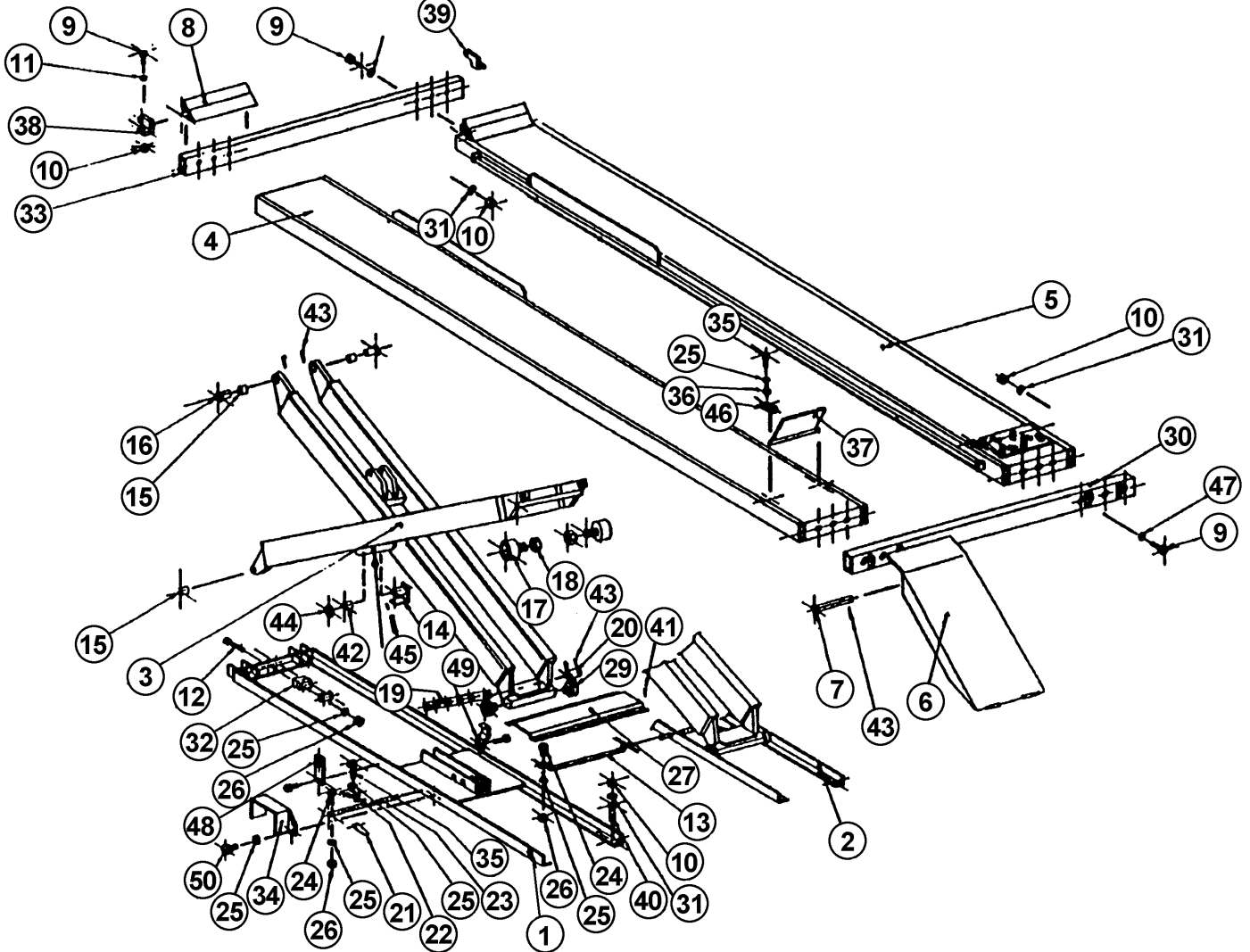
Item	SVI part #	OEM #	Req	Description
1	BH-7797-85	4-0160	1	Base Frame, Driver Side
2	BH-7799-28	4-0161	1	Base Frame, Passenger Side
3	BH-7799-23	4-0153	2	Scissor Weldment
4	BH-7799-25	4-0158	1	Alignment Deck, Driver Side
5	BH-7799-26	4-0159	1	Alignment Deck, Passenger Side
6	BH-7796-61	3-0285	2	Approach Ramp
7	BH-7791-19	1-0095	2	Ramp Pin
8	BH-7794-04	2-0432	2	Wheel Stop (Front)
9	F-HN-0500-13-1500	6-0291	32	Hex Nut, 1/2"-13 x 1-1/2"
10	F-HN-0500-13	6-0035	36	Hex Nut, 1/2"-13
11	F-LW-0500	6-0059	22	Lockwasher, 1/2"
12	F-HC-0250-20-2000	6-0177	4	1/4"-20 x 2" Hex Head Capscrew
13	BH-7796-68	3-0300	2	Leveling Leg, Front DS, Rear PS
14	BH-7796-67	3-0299	2	Leveling Leg, Front PS, Rear DS
15	BH-7790-24	2-0086	4	Plunger Pin Assembly
16	BH-7793-66	2-0071	1	Safety Release Conn. Rod
17	BH-7805-52	1-0106	4	Fulcrum Pin, 1-1/4"
18	BH-7800-70	6-0085	8	Bushing, 1"
19	BH-7791-29	1-0107	8	End Hinge Pin, 1"
20	BH-7798-08	6-0076	4	1-1/2" Cam Follower

Item	SVI part #	OEM #	Req	Description
21	F-JN-0625-18	6-0040	4	Jam Nut, 5/8"-18
22	BH-7794-01	2-0405	2	Safety Bar
23	BH-7791-81	1-0547	2	Pins
24	BH-7793-83	2-0194	2	Safety Pedal
25	BH-7791-46	1-0189	2	Safety Release Tab
26	BH-7794-03	2-0428	2	Safety Release Rod
27	F-HC-0250-20-1250	6-0027	6	Hex Bolt, 1/4"-20 x 1-1/4"
28	F-LW-0250	6-0056	18	Lockwasher, 1/4"
29	F-HN-0250-20	6-0032	10	Hex Nut, 1/4"-20
30	BH-7796-45	3-0164	1	Center Cover
31	BH-7800-51	6-0000	4	Grease Nipple
32	BH-7790-26	6-0077	4	2" Cam Follower
33	BH-7796-65	3-0297	1	Rear Crossmember
34	call	6-0439	16	Plain Washer, 1/2"
35	BH-7801-09	6-0172	2	Rubber Support Assembly
36	BH-7796-66	3-0298	1	Front Crossmember
37	BH-7792-06	1-0698	2	Toe Guard
38	F-HC-0250-20-0750	6-0178	8	Hex Bolt, 1/4"-20 x 3/4"
39	F-FW-0250-USS	6-0060	4	Flat Washer, 1/4"

Space Saver, 12,000 Series (continued)

Item	SVI part #	OEM #	Req	Description
40	BH-7793-96	2-0343	2	Rear Wheel Stop
41	BH-7792-05	1-0691	1	Front W/S Bracket, D.S.
42	BH-7792-04	1-0690	1	Front W/S Bracket, P.S.
43	BH-7793-73	2-0118	4	Outside Leg Bracket
44	BH-7800-99	6-0140	16	Wedge Anchor, 1/2" x 4-1/2"
45	BH-7801-00	6-0141	4	Concrete Nail, 1/4" x 1"
46	BH-7800-69	6-0084	8	Bushing, 1-1/4"
47	BH-7798-76	6-0115	14	Cotter Pin

Item	SVI part #	OEM #	Req	Description
48	BH-7791-42	1-0140	4	Washer
49	BH-7801-02	6-0146	4	Spring Pin, 3/16" x 2"
50	BH-7791-79	1-0432	4	Rear Wheel Stop Clip
51	call	6-0439	6	Flat Washer
52	BH-7792-08	1-0728	4	Shipping Bracket Flat
54	F-HC-0250-20-2500	6-0554	4	Hex Bolt, 1/4"-20 x 2-1/2"
55	call	6-0041	8	Jam Nut
56	call	6-0050	8	Tap Bolt, 3/4" x 4"



Main Frame Assembly, Service & Rust Proofer

Item	SVI part #	OEM #	Req	Description
1	BH-7799-27	4-0160	1	Base Frame, Driver Side
2	BH-7799-28	4-0161	1	Base Frame, Pass. Side
3	BH-7799-23	4-0153	2	Scissor Weldment
4	BH-7799-29	4-0162	1	Ser. Deck, Driver Side
5	BH-7799-30	4-0163	1	Ser. Deck, Pass. Side
6	BH-7796-61	3-0285	2	Approach Ramp
7	BH-7791-19	1-0095	2	Ramp Pin
8	BH-7794-04	2-0432	2	Wheel Stop
9	F-HC-0500-13-1500	6-0291	20	Hex Bolt, 1/2"-13 x 1-1/2"

Item	SVI part #	OEM #	Req	Description
10	F-HN-0500-13	6-0035	24	Hex Nut, 1/2"-13
11	F-LW-0500	6-0059	10	Lock Washer, 1/2"
12	F-HC-0250-20-2000	6-0177	4	1/4"-20 x 2" Lg. Hex Head Capscrew
13	BH-7793-66	2-0071	1	Safety Release Conn. Rod
14	BH-7805-52	1-0106	4	Fulcrum Pin, 1-1/4"
15	BH-7800-70	6-0085	8	Bushing, 1"
16	BH-7805-53	1-0707	8	End Hinge Pin, 1"
17	BH-7798-08	6-0076	4	1-1/2" Cam Follower
18	F-JN-0625-18	6-0040	4	Jam Nut, 5/8"-18

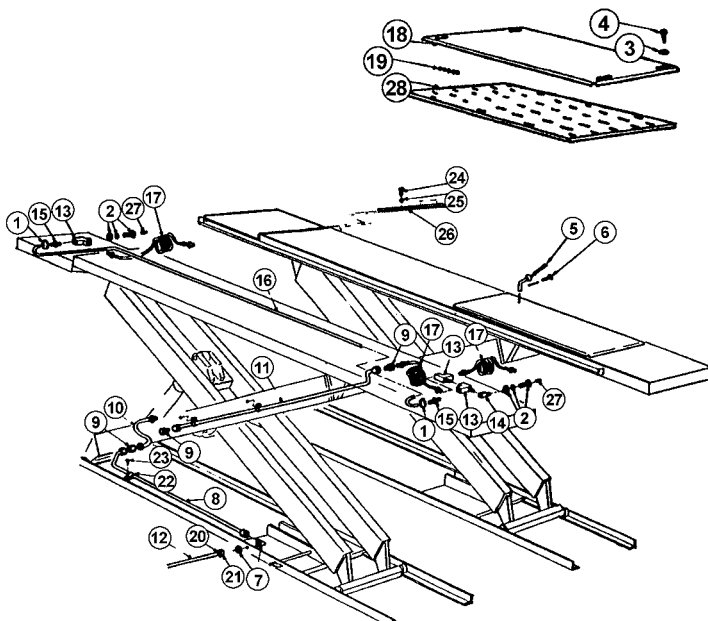


Space Saver, 12,000 Series (continued)

Main Frame Assembly, Service & Rust Proofer (continued)

Item	SVI part #	OEM #	Req	Description
19	BH-7794-01	2-0405	2	Safety Bar
20	BH-7790-95	1-0034	2	Pins
21	BH-7793-83	2-0194	2	Safety Pedal
22	BH-7791-46	1-0189	2	Safety Release Tab
23	BH-7794-03	2-0428	2	Safety Release Rod
24	F-HC-0250-20-1250	6-0027	6	Hex Bolt, 1/4"-20 x 1-1/4"
25	F-LW-0250	6-0056	18	Lock Washer, 1/4"
26	F-HN-0250-20	6-0032	10	Hex Nut, 1/4"-20
27	BH-7796-45	3-0164	1	Center Cover
28	BH-7800-51	6-0000	4	Grease Nipple
29	BH-7790-26	6-0077	4	2" Cam Follower
30	BH-7796-66	3-0298	1	Rear Crossmember
31	call	6-0063	16	Plain Washer
32	BH-7801-09	6-0172	2	Rubber Support Assembly
33	BH-7796-66	3-0298	1	Front Crossmember
34	BH-7792-06	1-0698	2	Toe Guard

Item	SVI part #	OEM #	Req	Description
35	F-HC-0250-20-0750	6-0178	8	Hex Bolt, 1/4"-20 x 3/4"
36	F-FW-0250-USS	6-0060	4	Flat Washer, 1/4"
37	BH-7793-96	2-0343	2	Rear Wheel Stop
38	BH-7792-05	1-0691	1	Front W/S Bracket
39	BH-7792-04	1-0690	1	Front W/S Bracket
40	BH-7800-99	6-0140	16	Wedge Anchor, 1/2" x 4-1/2"
41	BH-7801-00	6-0141	4	Concrete Nail, 1/4" x 1"
42	BH-7800-69	6-0084	8	Bushing, 1-1/4"
43	BH-7798-76	6-0115	14	Cotter Pin
44	BH-7791-42	1-0140	4	Washer
45	BH-7801-02	6-0146	4	Spring Pin, 3/16" x 2"
46	BH-7791-79	1-0432	4	Rear Wheel Stop Clip
47	BH-7791-80	1-0439	6	Flat Washer, 1/2"
48	BH-7792-08	1-0728	4	Shipping Bracket
49	F-HC-0250-20-2500	6-0554	4	Hex Bolt, 1/4"-20 x 2-1/2"



Item	SVI part #	OEM #	Req	Description
5	BH-7791-36	1-0117	4	Locking Pin Assembly
6	call	6-0505	4	Self Tap Screw, #10 x 1/2"
7	BH-7798-41	6-0012	1	Bulkhead 90° Elbow, C/W Jam Nut
8	BH-7796-20	3-0017	1	Tube Assembly
9	BH-7800-84	6-0118	3	Adapter, 3/8M JIC to 1/4" FNPT
10	BH-7791-37	1-0119	1	Hose Assembly
11	BH-7793-60	6-0062	1	Tube Assembly
12	BH-7801-08	6-0171	1	Tube, 3/8" x .049" x 20'
13	BH-7800-62	6-0014	3	Street Tee, 1/4" NPT
14	BH-7800-63	6-0015	1	Street Elbow
15	BH-7800-85	6-0121	2	Hose Barb Fitting, 1/4" NPT, 3/8" Hose
16	BH-7791-41	1-0139	1	Hose, 172" W/B
17	BH-7798-06	6-0337	3	Street Tee, 1/4" NPT
18	BH-7796-49	3-0197	2	Rear Steer Plate
19	BH-7801-46	6-0427	1 Set	Ball Bearing
20	BH-7800-64	6-0017	2	Sleeve, JIC
21	call	6-0016	2	Nut, 3/8" JIC
22	BH-7798-50	6-0170	4	Tube Clamp
23	BH-7806-10	6-0169	4	Self Tap Screw, #10 x 3/8"
24	F-HC-0250-20-0750	6-0178	16	Hex Bolt, 1/4"-20 x 3/4"
25	call	6-0056	16	Lock Washer
26	BH-7791-77	1-0391	4	Turn Plate Guide
27	BH-7801-31	6-0282	2	Plug, 1/4" NPT
28	BH-7790-34	3-0196	2	Bearing Plate

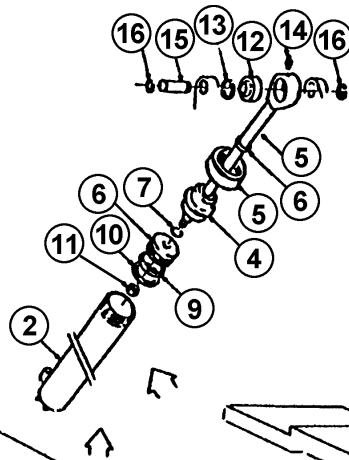
Options

Item	SVI part #	OEM #	Req	Description
1	BH-7801-07	6-0168	2	Hose Clamp, HF-5
2	BH-7801-06	6-0167	2	Terminal Bolt, 3/4"-16m w/1/4" FNPT
3	call	6-0426	8	Flat Washer
4	call	6-0069	8	Shoulder Bolt, 3/8" x 5/8"

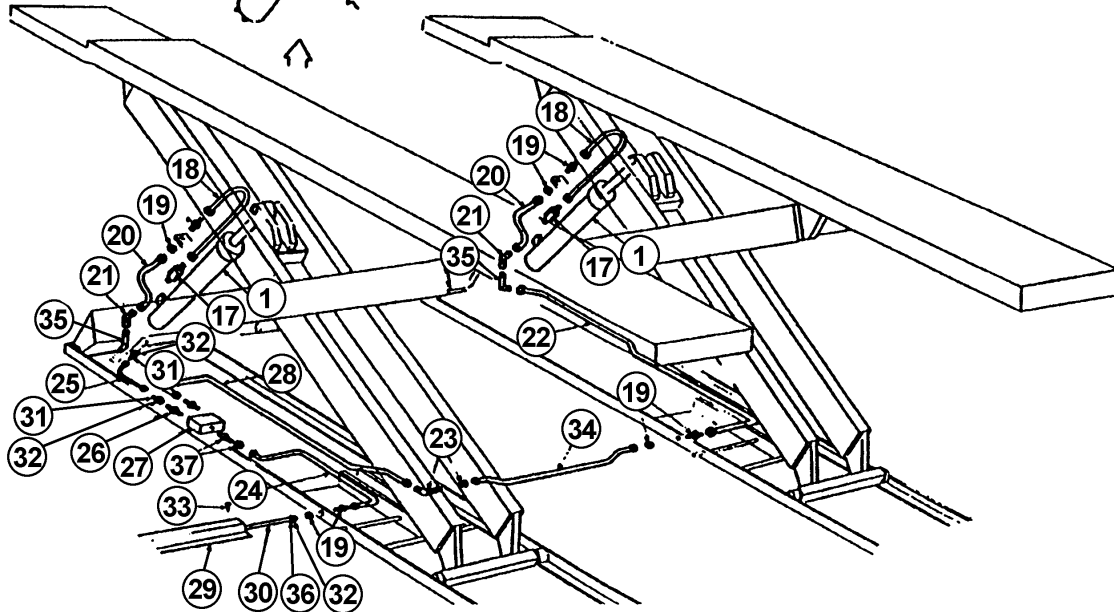
Space Saver, 12,000 Series (continued)



BH-7790-49 (Ref 0-0007)
Hydraulic Cylinder Seal Kit



BH-7790-16 (Ref 6-0173)
Flow Divider with Fittings



Hydraulics

Item	SVI part #	OEM #	Req	Description
1	BH-7796-08	3-0000	2	Hydraulic Cylinder
2	BH-7796-24	3-0077	1	Tube Weldment
3	BH-7790-90	1-0011	1	Nut Gland
4	BH-7790-89	1-0008	1	Gland
5	BH-7793-44	2-0001	1	Rod Weldment
6*	BH-7800-52	6-0001	1	Wiper Ring
7*	BH-7800-53	6-0002	1	"O" Ring
8	BH-7790-88	1-0007	1	Piston
9*	BH-7800-54	6-0003	1	Seal Ring
10*	BH-7800-55	6-0004	1	Wear Ring
11	F-NL-0875-14	6-0005	1	Nut, Nylon 7/8"-14
12	BH-7800-56	6-0007	1	Bearing
13	BH-7800-67	6-0070	1	Retaining Ring
14	BH-7800-51	6-0000	1	Grease Nipple
15	BH-7790-93	1-0029	2	Pin
16	BH-7798-49	6-0340	4	Retaining Ring
17	BH-7790-20	6-0025	2	Velocity Fuse
18	BH-7791-17	1-0093	2	Tube Assembly, Cylinder
19	BH-7800-61	6-0013	4	Blkhd. Conn. 3/8" JIC C/W Jam Nut
20	BH-7792-03	1-0649	2	Hose Assembly, 1200
21	BH-7801-11	6-0175	2	Adapter, 45° Elbow
22	BH-7793-64	2-0068	1	Blkhd., 90° Elbow C/W Jam Nut

Item	SVI part #	OEM #	Req	Description
24	BH-7793-61	2-0064	1	Tube Assembly
25	BH-7793-78	2-0182	1	Tube Assembly
26	BH-7801-04	6-0156	2	Adapter, 3.8 BSP to 3/8" JIC
27	BH-7790-16	6-0173	1	Flow Divider (with Fittings)
28	BH-7793-63	2-0066	1	Tube Assembly
29	BH-7793-53	2-0015	4	Line Cover
30	BH-7801-08	6-0171	1	Supply Tube, 3/8" .049" Wall x 20'
31	BH-7801-41	6-0378	2	Reducer Nipple, 3/8" to 1/4"
32	call	6-0016	4	Nut, 3/8" Tube
33	BH-7801-00	6-0141	16	Concrete Nail, 1/4" x 1"
34	BH-7794-09	2-0519	1	Tube Assembly
35	BH-7801-10	6-0174	2	Adapter, 90° Extended
36	BH-7800-64	6-0017	2	Sleeve
37	BH-7801-12	6-0176	1	Blkhd. Adapter 3/8" BSP to 3/8" JIC

* Hydraulic Cylinder Seal Kit Part # 0-0007, Order BH-7790-47

Complete Power Packs

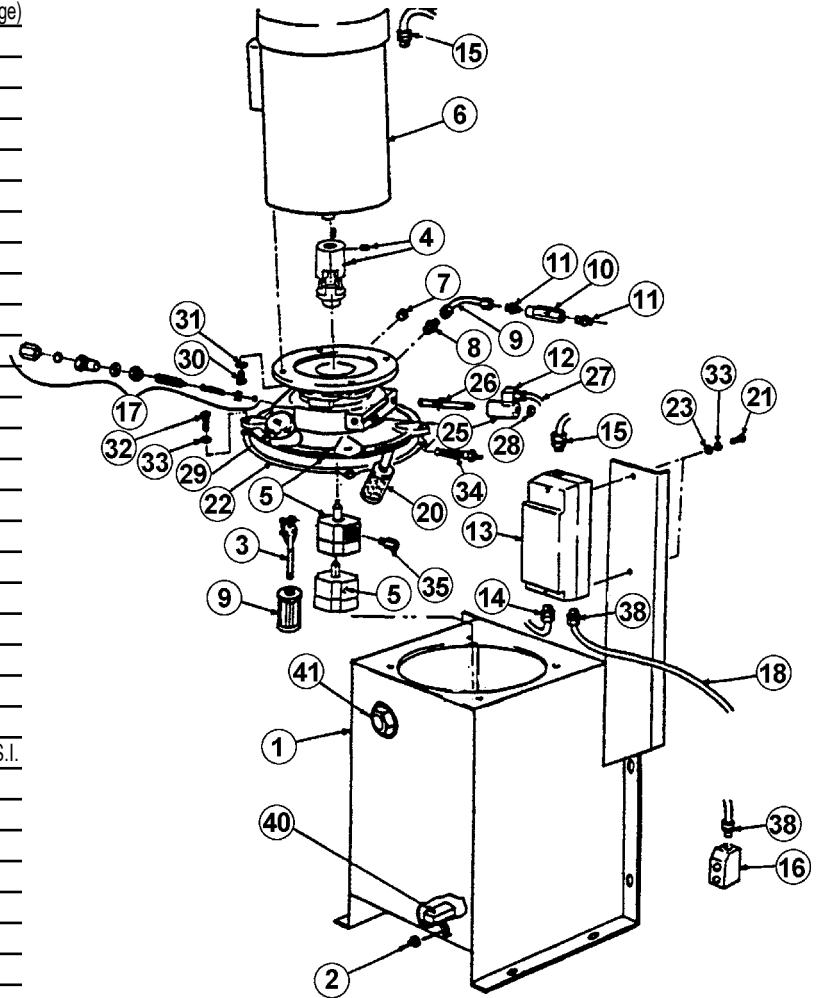
BH-7790-63	0-0123	Hyd. Power Pack 220V/1PH 2 Stage
BH-7790-51	0-0015	Hyd. Power Pack 550V/3PH
BH-7790-52	0-0016	Hyd. Power Pack 220V/3PH



Space Saver, 12,000 Series (continued)

Power Pack

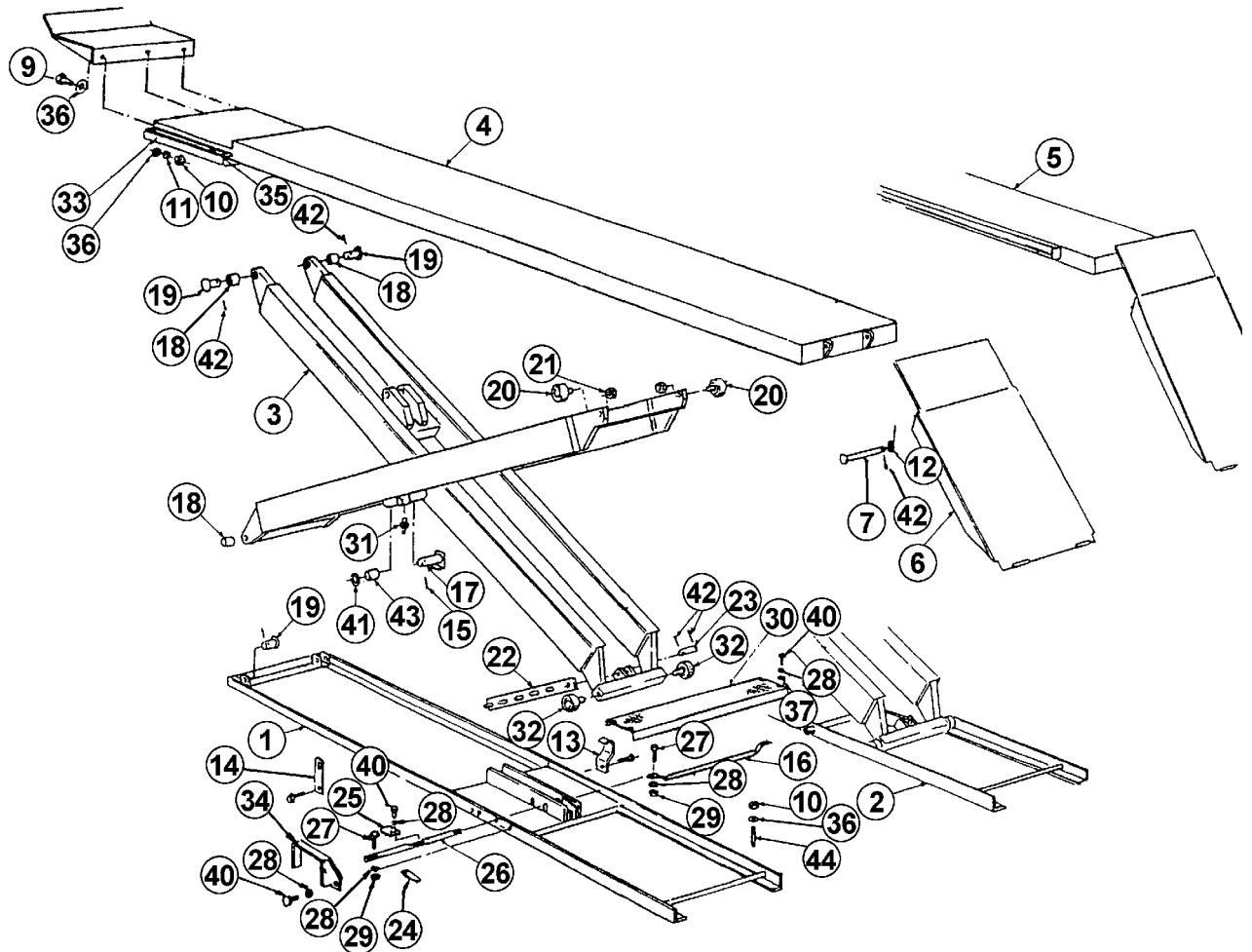
Item	SVI part #	OEM #	Req	Description
1	BH-7799-22	4-0146	1	Oil Reservoir
2	BH-7800-82	6-0102	1	Plug, 3/8" NPT
3	BH-7805-54	6-0544	1	Flange and Pipe Strainer
4	BH-7801-83	6-0542	1	Motor Coupler
5	BH-7801-82	6-0541	1	1001 Pump Assy. (Inc. Pump, Block & Flange)
6	BH-7800-71	6-0087	1	Motor, 220V/1PH
	BH-7801-54	6-0446	1	Motor, 208V/3PH
	BH-7801-55	6-0447	1	Motor, 550V/3PH
7	BH-7800-73	6-0089	1	Plug
8	BH-7800-66	6-0020	1	Hydraulic Adapter
9	BH-7791-24	1-0102	1	Tube Assembly
10	BH-7800-74	6-0090	1	Flow Control Valve
11	BH-7800-59	6-0011	2	Adapter, 3/8" JIC to 3/8" M NPT
12	BH-7800-75	6-0091	1	Solenoid Electric Plug
13	BH-7790-30	6-0095	1	Contr. Motor Starter, 220V/1PH
	BH-7801-56	6-0448	1	Contr. Motor Starter, 208V/3PH
	BH-7801-57	6-0449	1	Contr. Motor Starter, 550V/3PH
14	BH-7800-76	6-0092	1	Strain Relf. Connector, 1/4"
15	BH-7800-78	6-0094	2	Strain Relf. Connector, 1/2"
16	BH-7798-07	6-0096	1	Remote Hand Control
17	BH-7801-50	6-0431	1	Pressure Relief Valve
18	BH-7791-25	1-0103	1	Remote Control Valve
19	BH-7801-53	6-0434	1	Strainer
20	BH-7800-79	6-0097	1	Oil Filter & Tube 12000
22	BH-7791-51	1-0225	1	Rubber Gasket
23	F-HN-0250-20	6-0032	1	Nut, 1/4"-20
24	BH-7791-26	1-0104	1	Motor Cable
25	BH-7790-39	6-0100	1	Solenoid
26	BH-7790-29	6-0101	1	Solenoid Valve Spool, 12000, 5000 P.S.I.
27	BH-7791-27	1-0150	1	Solenoid Cable
28	BH-7801-51	6-0432	1	Solenoid Cap Nut
29	BH-7800-81	6-0099	1	Filler Cap
30	F-HC-0375-16-1000	6-0067	4	Hex Bolt, 3/8"-16 x 1"
31	call	6-0058	4	Lock Washer
32	F-HC-0250-20-1000	6-0027	4	Hex Bolt, 1/4"-20 x 1"
33	F-LW-0375	6-0056	6	Lock Washer, 3/8"
34	BH-7790-40	6-0145	1	Manual Descend Valve
35	BH-7801-01	6-0144	1	Pressure-time Delay Valve
36	BH-7801-00	6-0141	4	Concrete Nail, 1/4" x 1"
37	BH-7801-42	6-0379	16L	Hydraulic Oil, ISO-32
38	BH-7800-77	6-0093	2	Strain Rel. Conn., 3/8"
39	BH-7801-43	6-0385	1	Anti Slip Diff. Fluid
40	BH-7801-44	6-0405	1	Magnet
41	BH-7801-80	6-0517	1	Oil Sight Level Plug



Model 036 - Turntable Kit Part #00408

Item	SVI part #	OEM #	Req	Description
1	BH-7805-55	10893	8	Tension Spring
2	BH-7805-56	60663	2	Int. Locktooth Washer, 5/8"
3	BH-7805-57	11028	2	Center Bolt
4	BH-7805-58	20633	2	Indicator
5	BH-7805-59	00184	2	9/16" Solid Derlin Balls (30)
6	BH-7805-60	20637	4	Locking Pin Assembly
7	BH-7805-61	30366	2	Top Plate Marker
8	BH-7805-62	60815	4	#10-24 Binder HD. Screw

EELR113A & EELR114A



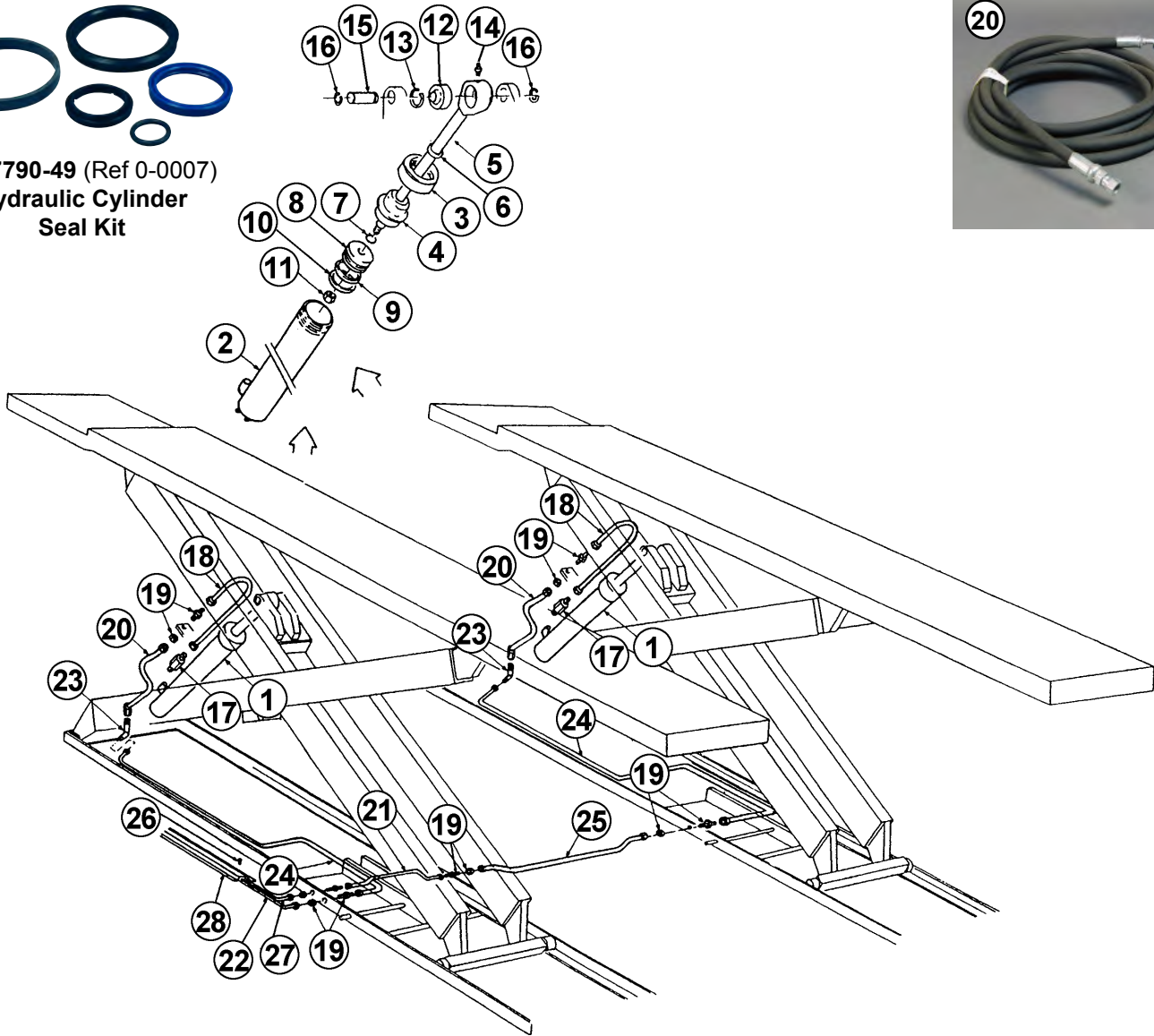
Item	SVI part #	OEM #	Req	Description
1	BH-7799-08	4-0112	1	Base Frame, L.S.
2	BH-7799-09	4-0113	1	Base Frame, R.S.
3	BH-7798-87	4-0002	2	Scissor Weldment
4	BH-7799-78	4-0379	1	Align. Deck, L.S. (144" W/B)
	BH-7799-87	4-0415	1	Align. Deck, L.S. (172" W/B)
5	BH-7799-79	4-0380	1	Align. Deck, R.S. (144" W/B)
	BH-7799-88	4-0416	1	Align. Deck, R.S. (172" W/B)
6	BH-7796-61	3-0285	2	Approach Ramp
7	BH-7791-19	1-0095	2	Ramp Pin
8	BH-7794-76	2-0851	2	Wheel Stop (Front)
9	F-HN-0500-13-1500	6-0291	6	Hex Nut, 1/2"-13 x 1-1/2"
10	F-HN-0500-13	6-0035	18	Hex Nut, 1/2"-13
11	F-LW-0500	6-0059	6	Lock Washer, 1/2"
12	call	6-0808	2	51/64" x 1" x 1/8" Thick Flat Washer
13	BH-7793-70	2-0112	2	Shipping Bracket
14	BH-7793-88	2-0266	2	Flat Shipping Bracket
15	BH-7801-02	6-0146	4	Spring Pin 3/16" x 2"
16	BH-7793-66	2-0071	1	Safety Rel. Conn. Rod
17	BH-7805-52	1-0106	4	Fulcrum Pin, 1-1/4"
18	BH-7800-70	6-0085	8	Bushing, 1"
19	BH-7791-29	1-0107	8	End Hinge Pin, 1"
20	BH-7801-88	6-0637	4	Cam Follower

Item	SVI part #	OEM #	Req	Description
21	F-JN-0625-18	6-0040	4	Jam Nut, 5/8"-18
22	BH-7794-01	2-0405	2	Safety Bar
23	BH-7791-81	1-0547	2	Safety Pins
24	BH-7793-83	2-0194	2	Safety Pedal
25	BH-7791-46	1-0189	2	Safety Release Tab
26	BH-7793-65	2-0069	2	Safety Release Rod
27	F-HC-0250-20-1250	6-0027	6	Hex Bolt, 1/4"-20 x 1-1/4"
28	F-LW-0250	6-0056	18	Lock Washer, 1/4"
29	F-HN-0250-20	6-0032	6	Hex Nut, 1/4"-20
30	BH-7796-84	3-0365	1	Center Cover
31	BH-7800-51	6-0000	4	Grease Nipple
32	BH-7790-26	6-0077	4	2" Cam Follower
33	BH-7793-97	2-0362	2	Pull Out Step Assembly
34	BH-7791-14	1-0086	2	Toe Guard
35	BH-7792-14	1-0749	2	Safety Walk Tape
36	call	6-0063	24	Plain Washer, 1/2"
37	F-FW-0250-USS	6-0060	4	Flat Washer, 1/4"
40	F-HC-0250-20-0750	6-0178	12	Hex Bolt, 1/4"-20 x 3/4"
41	BH-7791-42	1-0140	4	Washer
42	BH-7798-76	6-0115	14	Cotter Pin, 1/8" x 2"
43	BH-7800-69	6-0084	4	Bushing, 1-1/4"
44	BH-7800-99	6-0140	12	Wedge Anchor, 1/2" x 4-1/2"

EELR113A & EELR114A (continued)



**BH-7790-49 (Ref 0-0007)
Hydraulic Cylinder
Seal Kit**



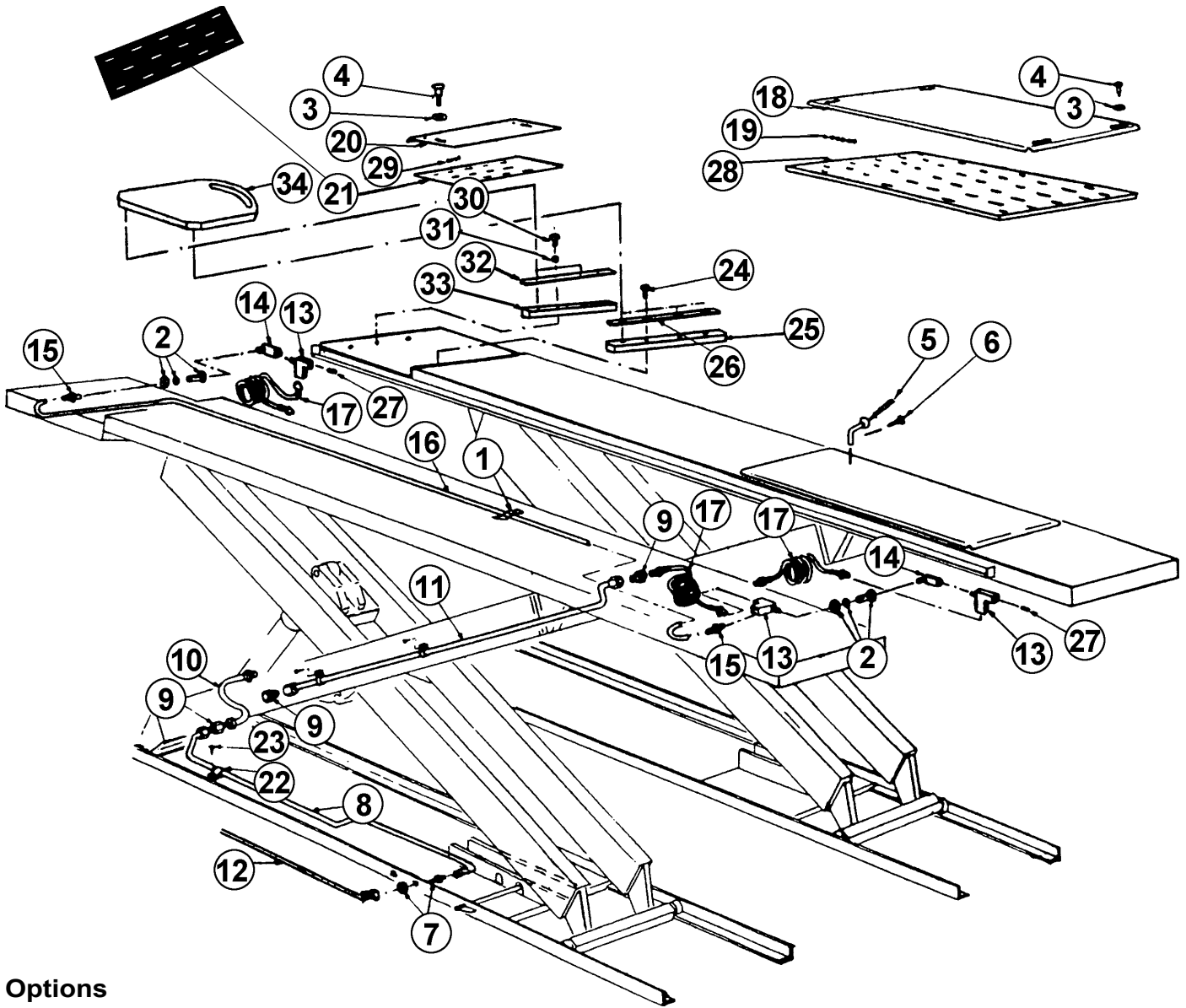
Hydraulics

Item	SVI part #	OEM #	Req	Description
1	BH-7796-08	3-0000	2	Hydraulic Cylinder
2	BH-7805-51	2-0000	1	Tube Weldment
3	BH-7790-90	1-0011	1	Nut Gland
4	BH-7790-89	1-0008	1	Gland
5	BH-7793-44	2-0001	1	Rod Weldment
6*	BH-7800-52	6-0001	1	Wiper Ring
7*	BH-7800-53	6-0002	1	"O" Ring
8	BH-7790-88	1-0007	1	Piston
9*	BH-7800-54	6-0003	1	Seal Ring
10*	BH-7800-55	6-0004	1	Wear Ring
11	F-LN-0875-14	6-0005	1	Nut, Nylon 7/8"-14
12	BH-7800-56	6-0007	1	Bearing
13	BH-7800-67	6-0070	1	Retaining Ring
14	BH-7800-51	6-0000	1	Grease Nipple
15	BH-7790-93	1-0029	2	Pin

Item	SVI part #	OEM #	Req	Description
16	BH-7798-49	6-0340	4	Retaining Ring
17	BH-7790-20	6-0025	2	Velocity Fuse
18	BH-7791-17	1-0093	2	Tube Assembly Cylinder
19	BH-7800-61	6-0013	6	Blkhd. Conn. 3/8" JIC C/W Jam Nut
20	BH-7790-33	2-0624	2	Hose Assembly
21	BH-7794-74	2-0848	1	Tube Assembly
22	BH-7795-15	2-1050	1	Hydraulic Hose Assembly
23	BH-7798-41	6-0012	2	Blkhd., 90° Elbow, 3/8" JIC C/W Jam Nut
24	BH-7794-75	2-0849	2	Tube Assembly
25	BH-7793-62	2-0065	1	Tube Assembly
26	BH-7801-00	6-0141	20	Concrete Nail, 1/4" x 1"
27	BH-7795-14	2-1049	1	Hydraulic Hose Assembly
28	BH-7795-27	2-1104	5	Line Cover (Different sizes available) (Available as Foot Only Traffic or Drive Over Versions, Please Specify.)

* Hydraulic Cylinder Seal Kit Part # 0-0007, Order BH-7790-47

EELR113A & EELR114A (continued)



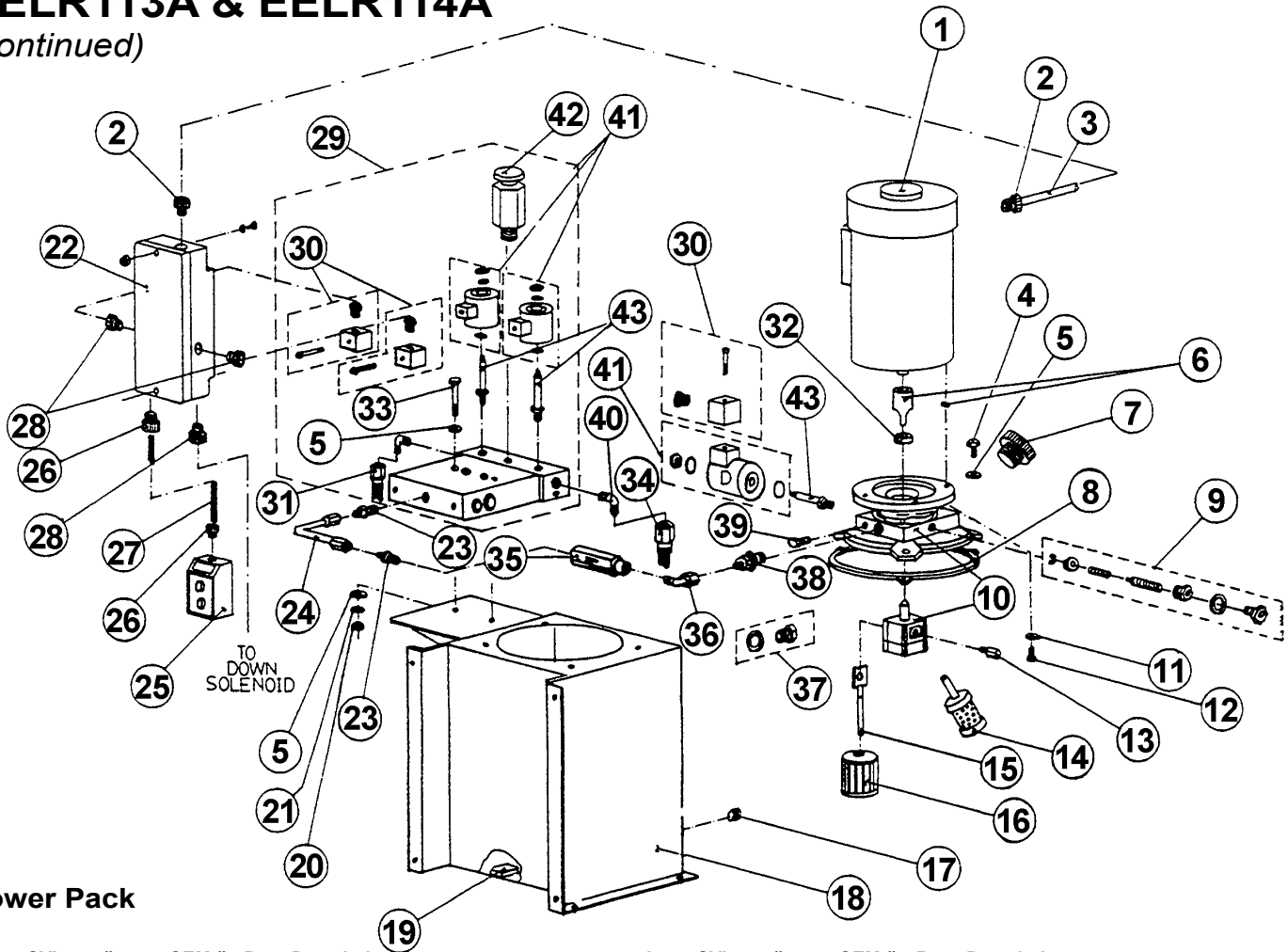
Options

Item	SVI part #	OEM #	Req	Description
1	BH-7801-73	6-0500	5	Frame Clip
2	BH-7801-06	6-0167	2	Term. Bolt, 3/4"-16m w/ 1/4 NPT F
3	call	6-0426	12	Flat Washer
4	call	6-0069	12	Shoulder Bolt, 3/8" x 5/8"
5	BH-7794-37	2-0637	8	Locking Pin Assembly
6	call	6-0505	8	Self Tap. Screw, #10 x 1/2"
7	BH-7800-61	6-0013	1	Blkhd. Conn., 3/8" JIC C/W Jam Nut
8	BH-7796-20	3-0017	1	Tube Assembly
9	BH-7800-84	6-0118	3	Adapter, 3/8" JIC M to 1/4" NPT F
10	BH-7791-37	1-0119	1	Hose Assembly
11	BH-7793-60	2-0062	1	Tube Assembly
12	BH-7804-09	6-1345	1	3/8" PVC Braided Hose, 22' Lg. (C/W Fittings)
13	BH-7800-62	6-0014	3	Street Tee, 1/4" NPT
14	BH-7800-63	6-0015	2	Street Elbow
15	BH-7802-32	6-0710	2	Poly Tube Str. Adapter 3/8" x 1/4" NPT
16	BH-7791-38	1-0120	1	Hose, 144" W/B
17	BH-7798-06	6-0337	3	12' Coiled Hose

Item	SVI part #	OEM #	Req	Description
18	BH-7796-49	3-0197	2	Rear Slip Plate
19	BH-7790-35	6-0829	1 Set	1/4" Ball Bearings (225)
20	BH-7794-72	2-0841	2	Front Positioning Plate
21	BH-7792-71	1-1070	2	Front Bearing Cage
22	BH-7798-50	6-0107	4	Tube Clamp
23	BH-7806-10	6-0169	4	Self-Tap. Screw, #10 x 3/8"
24	call	6-0199	8	Flat Hd. Screw, 1/4"-20 x 1"
25	BH-7794-73	2-0843	2	Spacer Bar
26	BH-7805-63	2-0844	2	Retaining Bar
27	BH-7801-30	6-0282	2	Plug, 1/4" NPT
28	BH-7790-34	3-0196	2	Rear Bearing Cage
29	BH-7790-35	6-0829	1 Set	Ball Bearing, 1/4" (70)
30	F-HC-0250-20-1250	6-0027	6	Hex Hd. Bolt, 1/4"-20 x 1-1/4"
31	F-LW-0250	6-0056	6	Lock Washer 1/4"
32	BH-7794-35	2-0635	2	Retaining Bar
33	BH-7794-36	2-0636	2	Spacer Bar
34	BH-7799-77	4-0375	2	Turnplate

EELR113A & EELR114A

(continued)

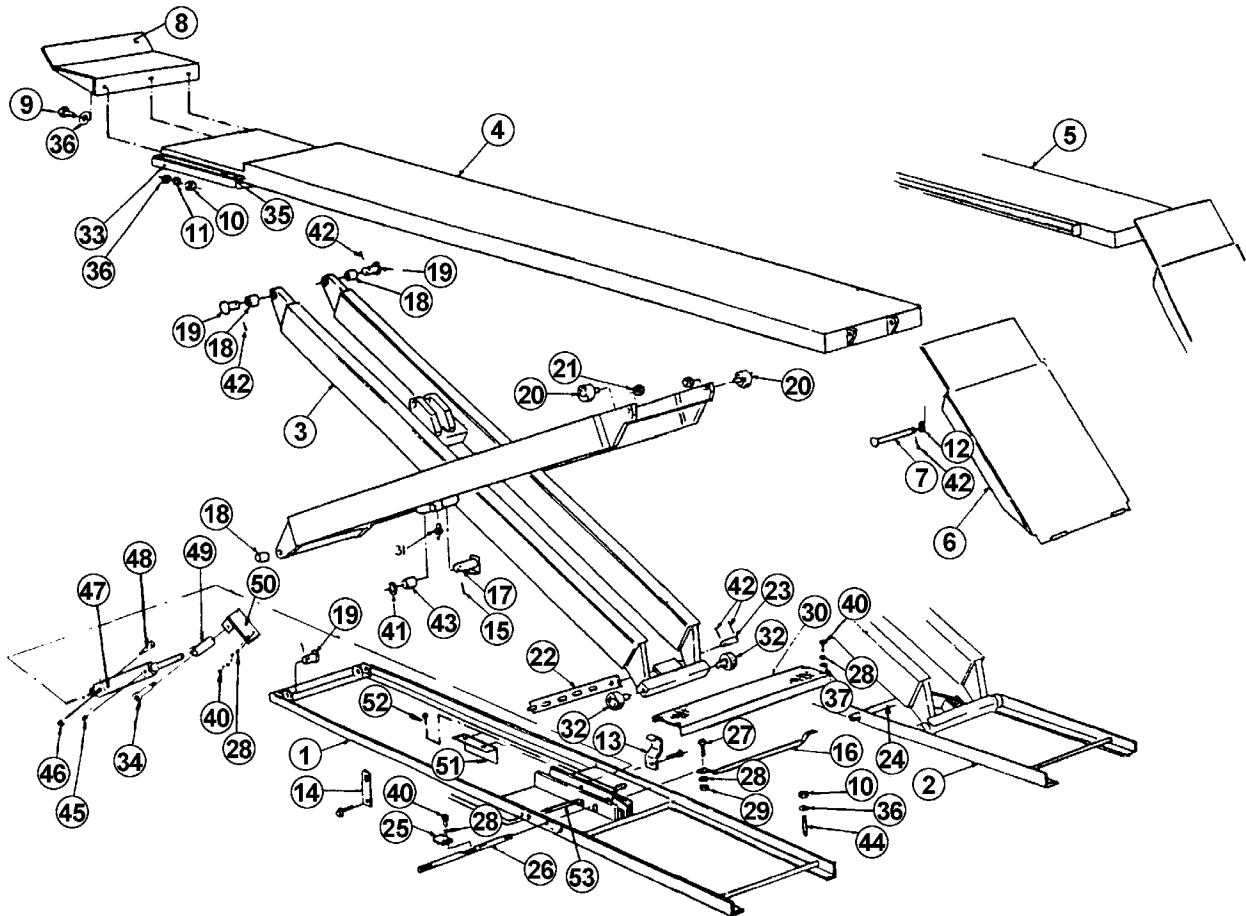


Power Pack

Item	SVI part #	OEM #	Req	Description
1	BH-7800-71	6-0087	1	Motor, 220V/1PH
	BH-7801-54	6-0446	1	Motor, 208V/3PH
	BH-7801-55	6-0447	1	Motor, 550V/3PH
2	BH-7800-78	6-0094	2	1/2" Strain Rel. Conn.
3	BH-7791-26	1-0104	1	Motor Cable
4	F-HC-0250-20-1000	6-0901	4	Hex Hd. Bolt, 1/4"-20 x 1"
5	F-FW-0250-USS	6-0060	8	Flat Washer, 1/4"
6	BH-7801-48	6-0429	1	Shaft Adapter w/Setscrew
7	BH-7800-81	6-0099	1	Filler Cap
8	BH-7791-51	1-0225	1	Rubber Gasket
9	BH-7801-50	6-0431	1	Pressure Relief Valve
10	BH-7801-52	6-0433	1	Pump Assy. (with Pump, Block, Fringe)
11	F-LW-0375	6-0058	4	Lock Washer, 3/8"
12	F-HC-0375-16-1000	6-0067	4	Hex Hd. Bolt, 3/8"-16 x 1"
13	BH-7801-01	6-0144	1	Pressure Time Delay Valve
14	BH-7800-79	6-0097	1	Oil Filter
15	BH-7801-47	6-0428	1	Flange & Pipe for Strainer
16	BH-7801-53	6-0434	1	Strainer
17	BH-7800-82	6-0102	1	Plug, 3/8" NPT
18	BH-7799-22	4-0146	1	Oil Reservoir
19	BH-7801-44	6-0405	1	Magnet
20	F-HN-0250-20	6-0032	2	Hex Nut, 1/4-20
21	F-LW-0250	6-0056	2	Lock Washer, 1/4"

Item	SVI part #	OEM #	Req	Description
22	BH-7790-30	6-0095	1	Cont. Motor Str., 220V/1PH
	BH-7801-56	6-0448	1	Cont. Motor Str., 208V/3PH
	BH-7801-57	6-0449	1	Cont. Motor Str., 550V/3PH
23	BH-7800-59	6-0011	2	Adapter, 3/8" NPT M to 3/8" JIC M
24	BH-7791-24	1-0102	1	Tube Elbow
25	BH-7798-07	6-0096	1	Remote Hand Control
26	BH-7800-77	6-0093	2	Strain Rel. Conn., 3/8"
27	BH-7791-25	1-0103	1	Remote Control Cable
28	BH-7800-76	6-0092	3	Strain Rel. Conn., 1/4"
29	BH-7803-12	6-0995	1	Flow Divider Assembly
30	BH-7800-75	6-0091	3	Solenoid Electrical Plug
31	BH-7795-14	2-1049	1	Hydraulic Hose Assembly
32	BH-7801-49	6-0430	1	Coupling
33	BH-7801-90	6-0648	2	Hex Hd. Bolt, 1/4"-20 x 2-3/4"
34	BH-7795-15	2-1050	1	Hydraulic Hose Assembly
35	BH-7800-74	6-0090	1	Flow Control
36	BH-7804-01	6-1294	1	90° Elbow, 3/8" JIC F to 3/8" NPT M
37	BH-7801-80	6-0517	1	Oil Level Sight Plug
38	BH-7800-66	6-0020	1	Adapter, 14mm "O" Ring to 3/8" JIC M
39	BH-7800-73	6-0089	1	Plug
40	BH-7801-27	6-0274	2	90° Elbow, 1/4" NPT M to 3/8" JIC M
41	BH-7790-39	6-0100	3	Solenoid
42	BH-7803-98	6-1261	1	Spool Valve (Man. Equal.)
43	BH-7790-29	6-0101	3	Solenoid Valve Spool

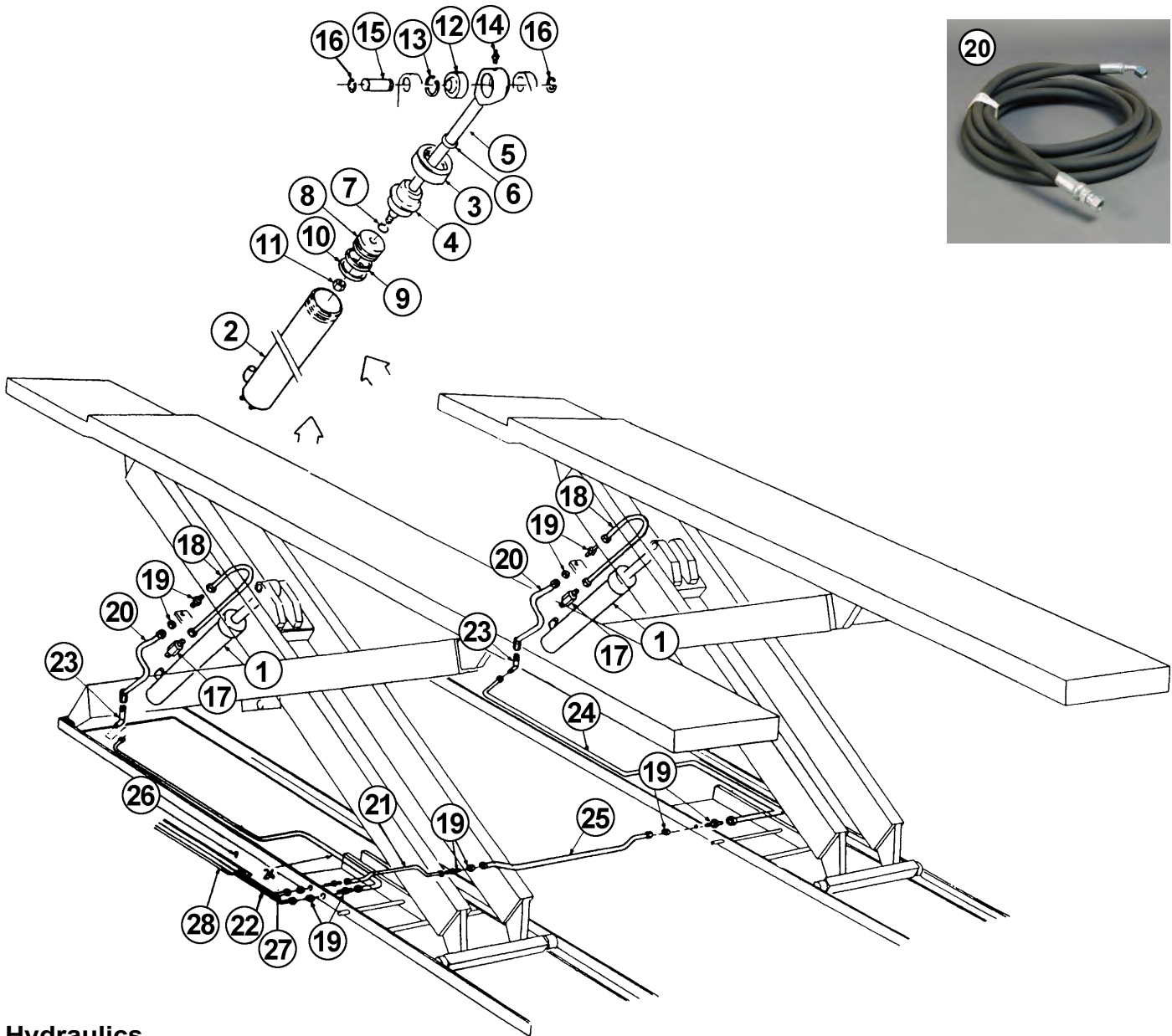
Bay Saver II, Models 48109 & 48209



Item	SVI part #	OEM #	Req	Description
1	BH-7799-08	4-0112	1	Base Frame, L.S.
2	BH-7799-09	4-0113	1	Base Frame, R.S.
3	BH-7798-87	4-0002	2	Scissor Weldment
4	BH-7799-78	4-0379	1	Alignment Deck, L.S. (144" W/B)
	BH-7799-87	4-0415	1	Alignment Deck, L.S. (172" W/B)
5	BH-7799-79	4-0380	1	Alignment Deck, R.S. (144" W/B)
	BH-7799-88	4-0416	1	Alignment Deck, R.S. (172" W/B)
6	BH-7796-61	3-0285	2	Approach Ramp
7	BH-7791-19	1-0095	2	Ramp Pin
8	BH-7794-76	2-0851	2	Wheel Stop (Front)
9	F-HC-0500-13-1500	6-0291	6	Hex Bolt, 1/2"-13 x 1-1/2"
10	F-HN-0500-13	6-0035	18	Hex Nut, 1/2"-13
11	F-LW-0500	6-0059	6	Lock Washer, 1/2"
12	call	6-0808	2	51/64" x 1" x 1/8" Thick Flat Washer
13	BH-7793-70	2-0112	2	Shipping Bracket
14	BH-7793-88	2-0266	2	Flat Shipping Bracket
15	BH-7801-02	6-0146	4	Spring Pin 3/16" x 2"
16	BH-7793-66	2-0071	1	Safety Rel. Conn. Rod
17	BH-7805-52	1-0106	4	Fulcrum Pin, 1-1/4"
18	BH-7800-70	6-0085	8	Bushing, 1"
19	BH-7791-29	1-0107	8	End Hinge Pin, 1"
20	BH-7801-88	6-0637	4	Cam Follower
21	F-JN-0625-18	6-0040	4	Jam Nut, 5/8"-18
22	BH-7794-01	2-0405	2	Safety Bar
23	BH-7791-81	1-0547	2	Safety Pins
24	BH-7793-65	2-0069	1	Safety Release Rod
25	BH-7791-46	1-0189	2	Safety Release Tab

Item	SVI part #	OEM #	Req	Description
26	BH-7795-01	2-0985	1	Safety Rel. Rod, (Air Safety)
27	F-HC-0250-20-1250	6-0027	2	Hex Bolt, 1/4"-20 x 1-1/4"
28	F-LW-0250	6-0056	12	Lock Washer, 1/4"
29	F-HN-0250-20	6-0032	2	Hex Nut, 1/4"-20
30	BH-7796-84	3-0365	1	Center Cover
31	BH-7800-51	6-0000	4	Grease Nipple
32	BH-7790-26	6-0077	4	2" Cam Follower
33	BH-7793-97	2-0362	2	Pull Out Step Assembly
34	BH-7791-09	6-0206	1	Shoulder Bolt, 3/8" x 1"
35	BH-7792-14	1-0749	2	Safety Washk Tape
36	call	6-0063	24	Plain Washer, 1/2"
37	F-FW-0250-USS	6-0060	4	Flat Washer, 1/4"
40	F-HC-0250-20-0750	6-0178	10	Hex Bolt, 1/4"-20 x 3/4"
41	BH-7791-42	1-0140	4	Washer
42	BH-7798-76	6-0115	14	Cotter Pin, 1/8" x 2"
43	BH-7800-69	6-0084	4	Bushing, 1-1/4"
44	BH-7800-99	6-0140	12	Wedge Anchor, 1/2" x 4-1/2"
45	BH-7792-33	1-0804	1	Orifice (0.025")
46	BH-7802-31	6-0709	1	90° Elbow, 1/8" NPT to 1/4" Poly Tube
47	BH-7803-84	6-1232	1	Air Cylinder
48	BH-7798-16	6-0246	1	Shoulder Bolt, 5/16" x 1"
49	BH-7792-93	1-1245	1	Rod End
50	BH-7792-94	1-1246	1	Actuator Arm
51	BH-7795-16	2-1055	1	Safety Cover
52	call	6-0505	2	Self Tap. Screw, #10-24 x 1/2"
53	BH-7803-99	6-1270	1	Poly Tube, 1/4" (30')
54	BH-7805-127	6-1405	1	"Hydraulic Leveling" Decal

Bay Saver II, Models 48109 & 48209 (continued)



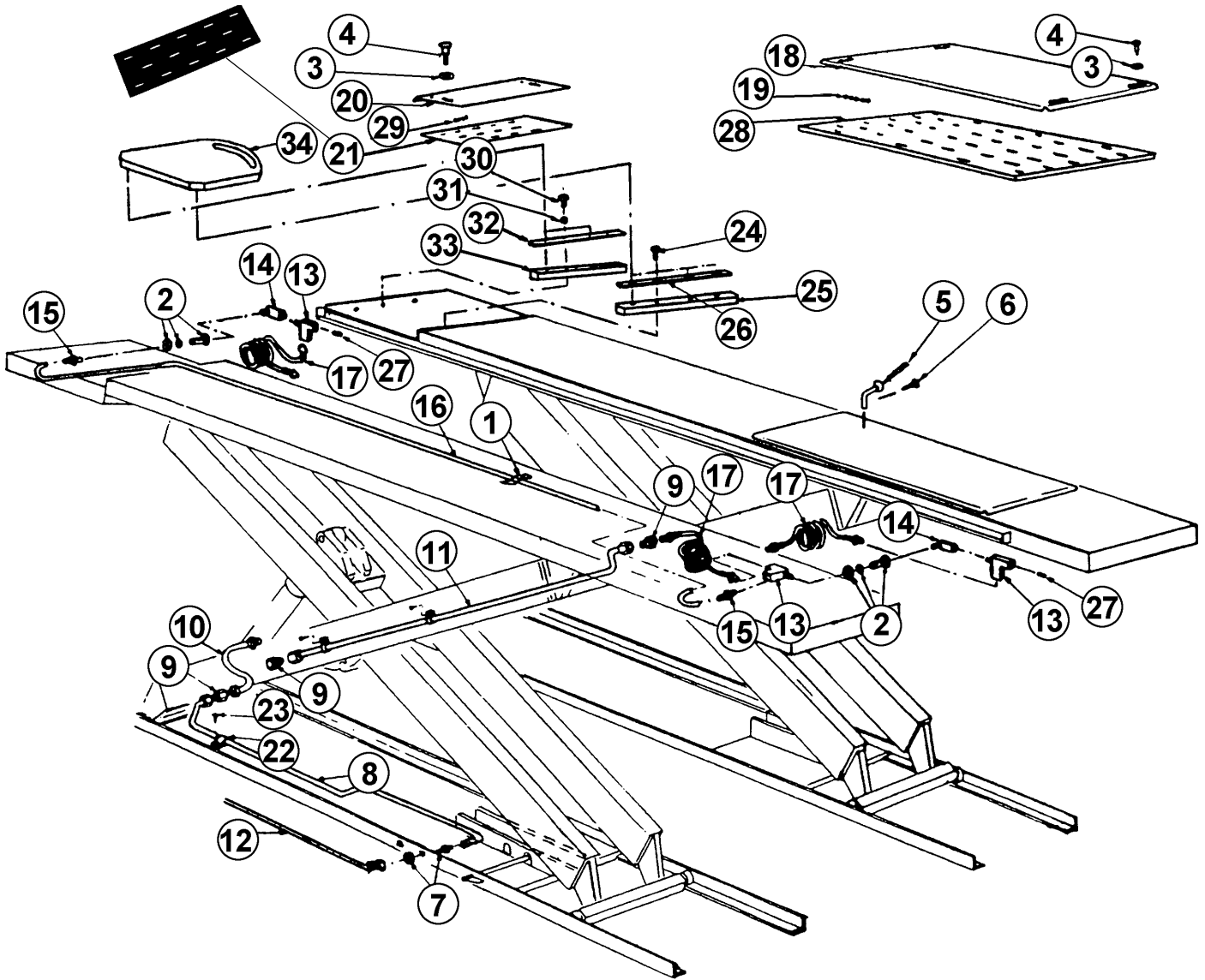
Hydraulics

Item	SVI part #	OEM #	Req	Description
1	BH-7796-08	3-0000	2	Hydraulic Cylinder
2	BH-7805-51	2-0000	1	Tube Weldment
3	BH-7790-90	1-0011	1	Nut Gland
4	BH-7790-89	1-0008	1	Gland
5	BH-7793-44	2-0001	1	Rod Weldment
6	BH-7800-52	6-0001	1	Wiper Ring
7	BH-7800-53	6-0002	1	"O" Ring
8	BH-7790-88	1-0007	1	Piston
9	BH-7800-54	6-0003	1	Seal Ring
10	BH-7800-55	6-0004	1	Wear Ring
11	F-LN-0875-14	6-0005	1	Nut, Nylon, 7/8"-14
12	BH-7800-56	6-0007	1	Bearing
13	BH-7800-67	6-0070	1	Retaining Ring
14	BH-7800-51	6-0000	1	Grease Nipple

Item	SVI part #	OEM #	Req	Description
15	BH-7790-93	1-0029	2	Pin
16	BH-7798-49	6-0340	4	Retaining Ring
17	BH-7790-20	6-0025	2	Velocity Fuse
18	BH-7791-17	1-0093	2	Tube Assembly Cylinder
19	BH-7800-61	6-0013	6	Blkhd., Conn. 3/8" JIC C/W Jam Nut
20	BH-7790-33	2-0624	2	Hose Assembly
21	BH-7794-74	2-0848	1	Tube Assembly
22	BH-7795-15	2-1050	1	Hydraulic Hose Assembly (21')
23	BH-7798-41	6-0012	2	Blkhd. 90° Elbow, 3/8" JIC M C/W Jam Nut
24	BH-7794-75	2-0849	2	Tube Assembly
25	BH-7793-62	2-0065	1	Tube Assembly
26	BH-7801-00	6-0141	20	Concrete Nail, 1/4" x 1"
27	BH-7795-14	2-1049	1	Hydraulic Hose Assembly (21')
28	BH-7795-27	2-1104	5	Line Cover (Different sizes available)

(Available as Foot Only Traffic or Drive Over Versions, Please Specify.)

Bay Saver II, Models 48109 & 48209 (continued)



Options

Item	SVI part #	OEM #	Req	Description
1	BH-7801-73	6-0500	5	Frame Clip
2	BH-7801-06	6-0167	2	Term. Bolt, 3/4"-16m w/1/4 NPT F
3	call	6-0426	12	Flat Washer
4	call	6-0069	12	Shoulder Bolt, 3/8" x 5/8"
5	BH-7794-37	2-0637	8	Locking Pin Assembly
6	call	6-0505	8	Self Tap. Screw, #10 x 1/2"
7	BH-7800-61	6-0013	1	Blkhd. Conn., 3/8" JIC C/W Jam Nut
8	BH-7796-20	3-0017	1	Tube Assembly
9	BH-7800-84	6-0118	3	Adapter, 3/8" JIC M to 1/4" NPT F
10	BH-7791-37	1-0119	1	Hose Assembly
11	BH-7793-60	2-0062	1	Tube Assembly
12	BH-7804-09	6-1345	1	3/8" PVC Braided Hose, 22' Lg. (C/W Fittings)
13	BH-7800-62	6-0014	3	Street Tee, 1/4" NPT
14	BH-7800-63	6-0015	2	Street Elbow
15	BH-7802-32	6-0710	2	Poly Tube Str. Adapter, 3/8" x 1/4" NPT
16	BH-7791-38	1-0120	1	Hose, 144" W/B
17	BH-7798-06	6-0337	3	12' Coiled Hose

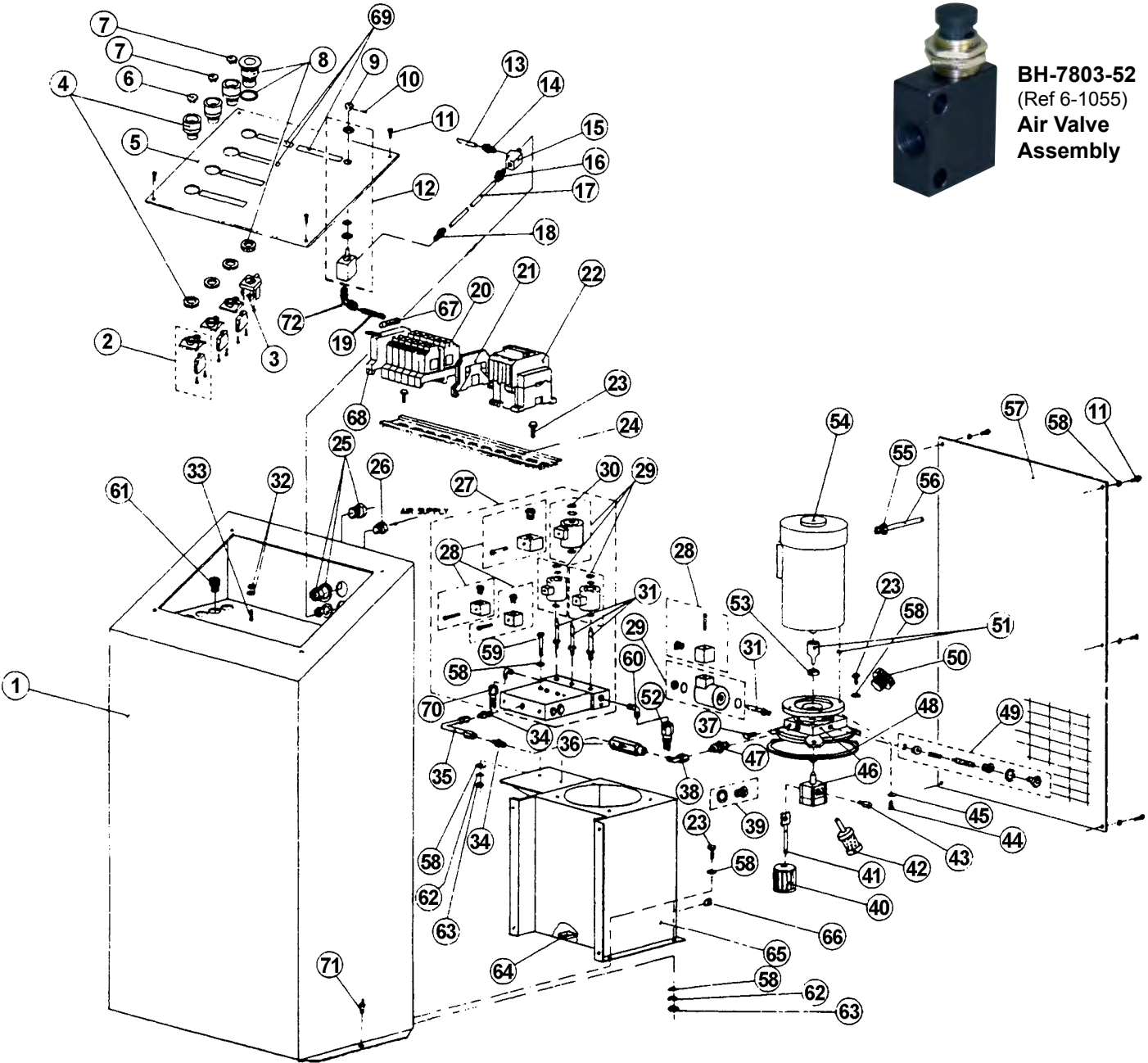
Item	SVI part #	OEM #	Req	Description
18	BH-7796-49	3-0197	2	Rear Slip Plate
19	BH-7790-35	6-0829	1 Set	1/4" Ball Bearings (225)
20	BH-7794-72	2-0841	2	Front Positioning Plate
21	BH-7792-71	1-1070	2	Front Bearing Cage
22	BH-7798-50	6-0107	4	Tube Clamp
23	BH-7806-10	6-0169	4	Self-Tap. Screw, #10 x 3/8"
24	call	6-0199	8	Flat Hd. Screw, 1/4"-20 x 1"
25	BH-7794-73	2-0843	2	Spacer Bar
26	BH-7805-63	2-0844	2	Retaining Bar
27	BH-7801-31	6-0282	2	Plug, 1/4" NPT
28	BH-7790-34	3-0196	2	Rear Bearing Cage
29	BH-7790-35	6-0829	1 Set	Ball Bearing, 1/4" (70)
30	F-HC-0250-20-1250	6-0027	6	Hex Hd. Bolt, 1/4"-20 x 1-1/4"
31	F-LW-0250	6-0056	6	Lock Washer, 1/4"
32	BH-7794-35	2-0635	2	Retaining Bar
33	BH-7794-36	2-0636	2	Spacer Bar
34	BH-7799-77	4-0375	2	Turnplate



DIRECTFIT™

Bay Saver II, Models 48109 & 48209 (continued)

Console



BH-7803-52
(Ref 6-1055)
Air Valve
Assembly



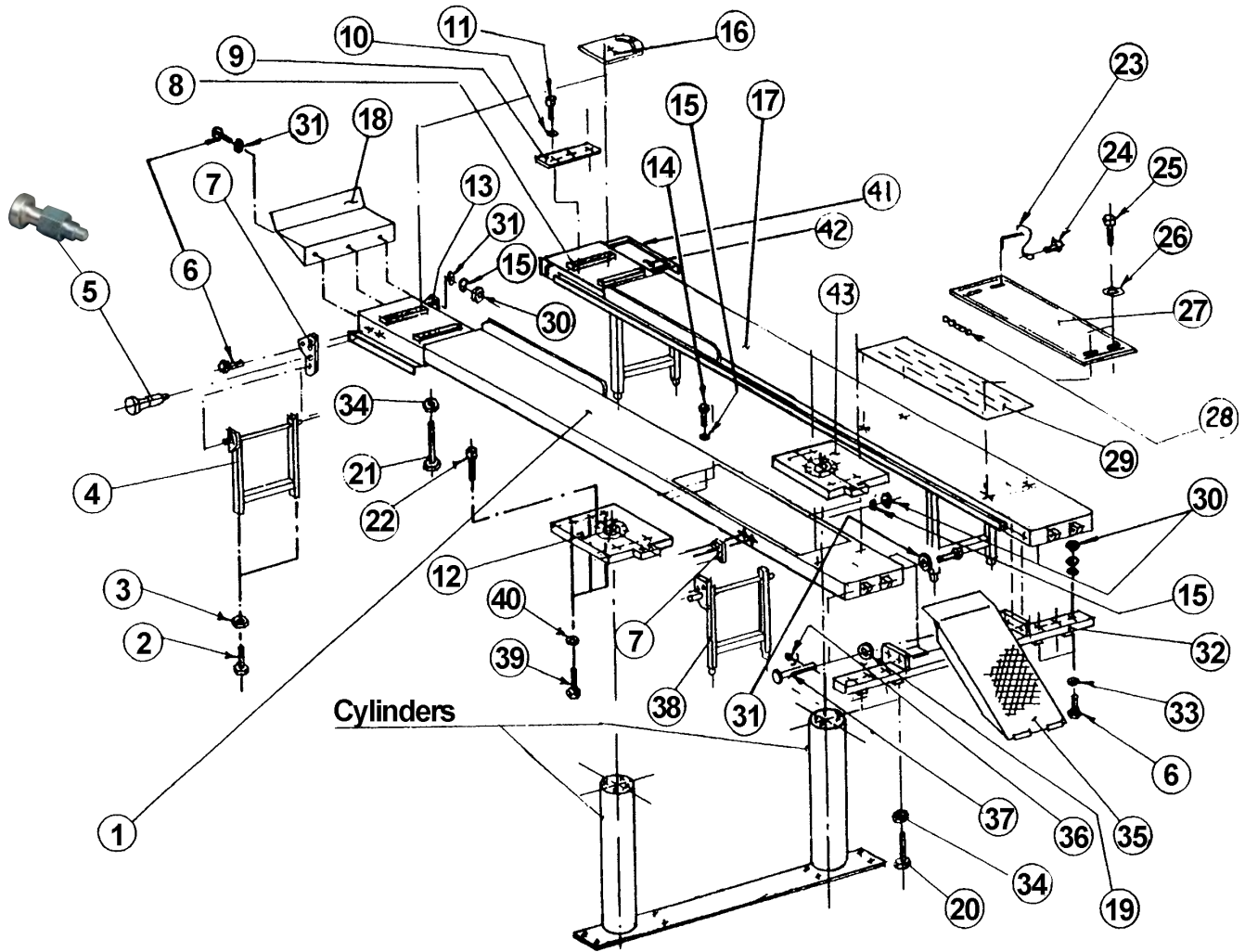
Bay Saver II, Models 48109 & 48209 (continued)

Console (continued)

Item	SVI part #	OEM #	Req	Description
1	BH-7799-71	4-0356	1	Console
2	BH-7803-89	6-1248	3	Pushbutton Contacts
3	BH-7803-91	6-1250	1	Emerg. Pushbutton Contacts
4	BH-7803-88	6-1247	3	Pushbutton
5	BH-7794-98	2-0962	1	Top Cover
6	BH-7803-93	6-1252	1	Pushbutton Plate (Synch.)
7	BH-7803-92	6-1251	2	Pushbutton Plate, (Up/Down Arrow)
8	BH-7803-90	6-1249	1	Emergency Stop Pushbutton w/ Reset
9	BH-7803-51	6-1052	1	Button
10	call	6-1051	1	Socket Hd. Set Screw
11	BH-7791-10	6-0041	10	Button Hd. Socket Capscrew, 1/4"-28 x 3/8"
12	BH-7803-52	6-1055	1	Air Valve Assembly
13	BH-7804-09	6-1345	1	3/8" PVC Braided Hose, 22' Lg. (C/W Fittings)
14	BH-7800-85	6-0121	1	Adapter, 3/8" Pushlock to 1/4" NPT M
15	BH-7800-62	6-0014	1	Tee, 1/4" NPT M to 1/4"
16	BH-7804-10	6-1347	1	Adapter, 1/4" Poly Tube to 1/4" NPT M
17	BH-7804-08	6-1343	1	1/4" Poly Tube, 12"
18	BH-7802-30	6-0708	1	Adapter, 1/4" Poly Tube to 1/8" NPT M
19	BH-7803-99	6-1270	1	1/4" Poly Tube, 30' (C/W Fittings)
20	BH-7803-85	6-1241	1	Terminal Block
21	BH-7803-95	6-1255	1	Ground Block
22	BH-7803-96	6-1258	1	Contractor
23	F-HC-0250-20-1000	6-0901	10	Hex Hd. Bolt, 1/4"-20 x 1"
24	BH-7803-94	6-1253	1	Terminal Bar Rail
25	BH-7800-78	6-0094	1	Large Strain Relief
26	BH-7802-33	6-0713	1	Bulkhead, 1/4" NPT
27	BH-7803-97	6-1259	1	Flow Divider w/ Solenoids
28	BH-7800-75	6-0091	4	Solenoid Electrical Plug
29	BH-7804-12	6-1365	4	Solenoid
30	BH-7801-51	6-0432	4	Cap Nut for Solenoid
31	BH-7790-29	6-0101	4	Solenoid Valve Spool
32	call	6-1346	2	Nut, #10-24
33	call	6-0815	1	Bolt, #10-24 x 1/2"
34	BH-7800-59	6-0011	2	Adapter, 3/8" NPT M to 3/8" JIC M
35	BH-7791-24	1-0102	1	Tube Elbow
36	BH-7800-74	6-0090	1	Flow Control

Item	SVI part #	OEM #	Req	Description
37	BH-7800-73	6-0089	1	Plug
38	BH-7804-01	6-1294	1	90° Elbow, 3/8" JIC F to 3/8" NPT M
39	BH-7801-80	6-0517	1	Oil Level Sight Plug
40	BH-7801-53	6-0434	1	Strainer
41	BH-7801-47	6-0428	1	Flange & Pipe for Strainer
42	BH-7800-79	6-0097	1	Oil Filter
43	BH-7801-01	6-0144	1	Pressure Time Delay Valve
44	F-HC-0375-16-1000	6-0067	4	Hex Hd. Bolt, 3/8"-16 x 1"
45	F-LW-0375	6-0058	4	Lock Washer, 3/8"
46	BH-7801-52	6-0433	1	Pump Assy. (C/W Pump, Block Fringe)
47	BH-7800-66	6-0020	1	Adapter, 14mm "O" Ring to 3/8" JIC M
48	BH-7791-51	1-0225	1	Rubber Gasket
49	BH-7801-50	6-0431	1	Pressure Relief Valve
50	BH-7800-81	6-0099	1	Filler Cap
51	BH-7801-48	6-0429	1	Shaft Adpt, w/Setscrew
52	BH-7795-15	2-1050	1	Hydraulic Hose Assembly
53	BH-7801-49	6-0430	1	Coupling
54	BH-7800-71	6-0087	1	Motor, 220V/1PH
55	BH-7800-77	6-0093	1	Medium Strain Relief
56	BH-7791-26	1-0104	1	Motor Cable
57	BH-7797-10	3-0497	1	Access Cover
58	F-FW-0250-USS	6-0060	22	Flat Washer, 1/4"
59	BH-7801-90	6-0648	2	Hex Hd. Bolt, 1/4"-20 x 2-3/4"
60	BH-7801-27	6-0274	2	90° Elbow, 1/4" NPT M to 3/8" JIC M
61	BH-7800-77	6-0093	5	3/8" Strain Relief
62	F-LW-0250	6-0056	8	1/4" Lock Washer
63	F-HN-0250-20	6-0032	8	Hex Nut, 1/4"-20
64	BH-7801-44	6-0405	1	Magnet
65	BH-7799-22	4-0146	1	Oil Reservoir
66	BH-7800-82	6-0102	1	Plug, 3/8" NPT
67	BH-7803-87	6-1243	1	Fuse, 250V/1PH
68	BH-7803-86	6-1242	1	Terminal Fuse Holder
69	BH-7805-128	6-1344	1	Decal Set
70	BH-7795-14	2-1049	1	Hydraulic Hose Assembly
71	BH-7801-00	6-0141	2	Concrete Nail, 1/4" x 1"
72	BH-7802-31	6-0709	1	1/4" Poly Tube to 1/8" NPT 90° Elbow Adpt.

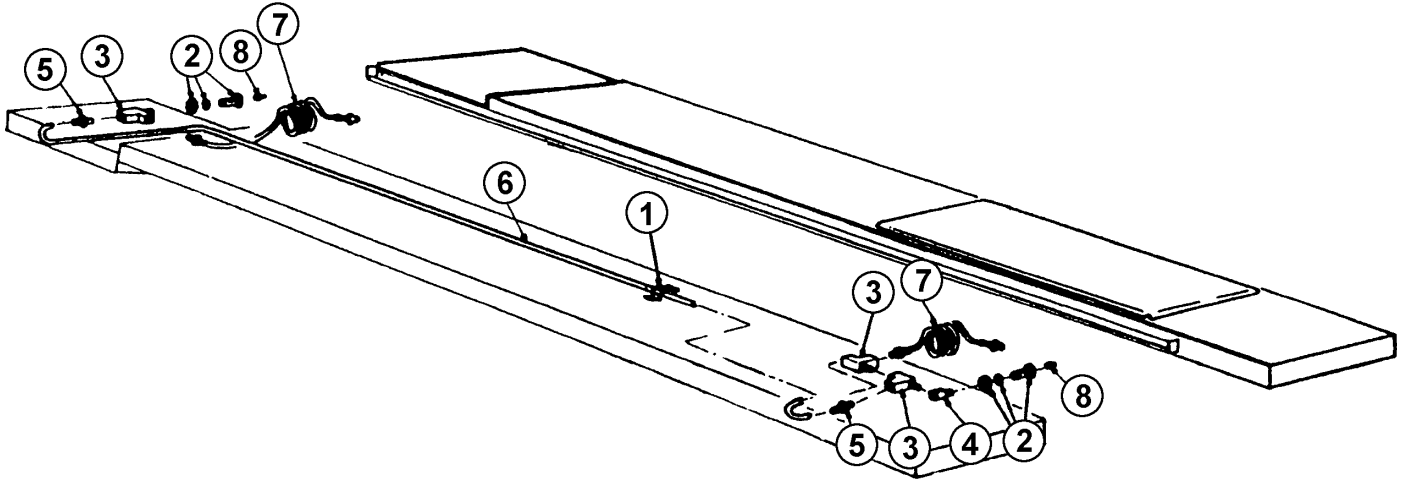
Alignment Runways, Model 40306 R



Item	SVI part #	OEM #	Req	Description
1	BH-7799-66	4-0330	1	Alignment Deck, L.S. (155" W/B)
2	call	6-0049	8	Tap Bolt, 5/8"-11 x 4"
3	F-JN-0625-11	6-0039	8	Jam Nut, 5/8"-11
4	BH-7796-58	3-0248	2	Leveling Leg, F.L., R.R.
5	BH-7790-24	2-0086	4	Plunger Assembly
6	F-HC-0500-13-1500	6-0291	32	Hex Bolt, 1/2"-13 x 1-1/2"
7	BH-7790-25	2-0999	4	Leveling Leg Bracket, Outside
8	BH-7794-36	2-0636	4	Spacer Bar
9	BH-7794-35	2-0635	4	Retaining Bar
10	F-LW-0250	6-0056	16	Lock Washer, 1/4"
11	F-HC-0250-20-0750	6-0178	16	Hex Bolt, 1/4"-20 x 3/4"
12	BH-7795-06	2-1001	1	Adapter Tie Bar, L.S.
13	BH-7795-05	2-1000	2	Leveling Leg Bracket, Inside
14	F-HC-0500-13-2500	6-0767	4	Hex Bolt, 1/2"-13 x 2-1/2"
15	F-LW-0500	6-0059	36	Lock Washer, 1/2"
16	BH-7797-92	4-0220	2	Turnplate
17	BH-7799-67	4-0331	1	Alignment Deck, R.S. (155" W/B)
18	BH-7794-76	2-0851	2	Front Wheel Stop
19	call	6-0808	2	Flat Washer, 51/64" x 1" x 1/16"
20	F-HC-0750-10-3000	6-1101	4	Hex Bolt, 3/4"-10 x 3"
21	F-HC-0750-10-6000	6-1128	8	Hex Bolt, 3/4"-10 x 6"
22	F-SC-0875-9-1500	6-1271	12	Socket Hd. Bolt, 7/8"-9 x 1-1/2"

Item	SVI part #	OEM #	Req	Description
23	BH-7794-37	2-0637	4	Locking Pin Assembly
24	call	6-0505	4	Self Tap. Screw, #10 x 1/2"
25	call	6-0069	8	Shoulder Bolt, 3/8" x 5/8"
26	call	6-0426	8	Flat Washer, 13/32 x 2"
27	BH-7796-49	3-0197	2	Slide Plate
28	BH-7790-35	6-0829	1 Set	1/4" Ball Bearing
29	BH-7790-34	3-0196	2	Bearing Cage
30	F-HN-0500-13	6-0035	32	Hex Nut, 1/2"-13
31	F-FW-0500-USS	6-0063	22	Flat Washer, 1/2"
32	BH-7797-04	3-0457	1	Rear Tie Bar
33	F-FW-0500-USS	6-0439	10	Flat Washer, 1/2"
34	F-HN-0750-10	6-0037	12	Hex Nut, 3/4"-10
35	BH-7797-13	3-0506	2	Approach Ramp
36	BH-7798-76	6-0115	2	Cotter Pin, 1/8" x 2"
37	BH-7791-19	1-0095	2	Ramp Pin
38	BH-7796-60	3-0272	2	Level. Leg, F.R., R.L.
39	F-HC-0750-10-2500	6-0891	12	Hex Bolt, 3/4"-10 x 2-1/2"
40	F-LW-0750	6-0181	12	Lock Washer, 3/4"
41	BH-7793-97	2-0364	2	Pull Out Step Assembly
42	BH-7792-14	1-0749	2	Safety Walk Tape
43	BH-7805-64	2-1002	1	Adapter Tie Bar, R.S.

Alignment Runways, Model 40306 R *(continued)*



Air Kit Assembly

Item	SVI part #	OEM #	Req	Description
1	BH-7801-73	6-0500	5	Frame Clip
2	BH-7801-06	6-0167	2	Term. Bolt, 3/4"-16M w/ 1/4" NPT F
3	BH-7800-62	6-0014	3	Street Tee, 1/4" NPT
4	BH-7800-63	6-0015	1	Street Elbow, 1/4" NPT

Item	SVI part #	OEM #	Req	Description
5	BH-7802-32	6-0710	2	Poly Tube Straight Adpt, 3/8" x 1/4" NPT
6	BH-7805-65	6-1352	1	Hose, 155" W/B
7	BH-7798-06	6-0337	2	12' Coiled Hose
8	BH-7801-31	6-0282	2	Plug, 1/4" NPT



DIRECT FIT™ BRAND

SVI International, Inc.

Catalogs and Information Online: www.sviinternational.com

EASY TO ORDER:
800-321-8173
815-748-0200
 Fax: 800-899-1784 • 815-748-0210
E-Mail: parts@sviintl.com
www.sviinternational.com

AUTO LIFT REPAIR PARTS FOR ALL MAKES & MODELS

~NO MATTER THE AGE OF THE LIFT!

- Arm Restraint Kits & Parts
- Cables—Lifting and Equalizing
- Chain
- doorjammerPRO - Door Protection Pad
- Height Extensions and Rubber Pads
- Installation Products & Tools
- Power Units and Parts
- Pulleys and Chain Rollers
- Seal Kits for In-Ground & Surface Mount
- Safety Legs / Non-Rotators
- Replacement Lift Kits
- Power Post Lifting Systems
- Tanks for In-Ground Lifts
- Turf Attachments for 2-Post Lifts

SURFACE MOUNT LIFT PARTS FOR:

Acanus	Gemini	Quality
Ammco®*	Gilbarco	Ranger
Alamo /	Globe	Ravaglioli
ASSSA	Grand	Rotary Lifts
ALM	Hofmann	Silent Tech
AMI	Hydralift	Slift
Ashawa	Ime Istobal	Somers Souriau
Ben Pearson	Kismet	Stenhoj
BendPak	Kimm	Stertil Koni
Benwil	Koni	Sun
Bishamon	Launch	Tecalemit
Boston	Laycock	Titan
Bradbury	Lincoln	Weaver
Cascos	Maha	Werther
Consul	Manitowoc Lifts	Western
Challenger	Mohawk	Westinghouse
Force	Nussbaum	Wheeltronic
Ford Smith	OMA	Worth
Forward	OMCN	Zippo
Fuchs/Zippo	PMW	

IN-GROUND LIFT PARTS FOR:

Benwil	Gilbarco	PKS Lifts
Challenger	Globe	Rotary
Cochin	HDL/ISS Innovative	US Hoist
Curtis	Joyce	Weaver
Ford Smith	Manitowoc Lifts	Western

AIR COMPRESSOR PARTS

- Air Receiver Tanks • Compressor Mufflers
- Automatic Tank Drain Valve for Champion Compressors
- Filters—Many OEM Ref Available!
- Filters, Regulators, Lubricators
- Intake Filter Products
- Milton Air System Products
- Re-Coil Hose • Valves
- Vibration Dampening Pads & much more!

BRAKE LATHES REPAIR PARTS

- Brake Lathe Repair Parts and Accessories for **All Makes**

EXHAUST REMOVAL SYSTEMS & PRODUCTS

FLUID DELIVERY

- Lenz Fittings
- Steel Hydraulic Line Tubing and Fittings
- Strut and Hangers

HOSE REELS BY REELCRAFT®

HYDRAULIC CYLINDERS—

- Custom Single-Acting Large Bore Cylinders
- Also see “Lifting Equipment”

LIFTING EQUIPMENT

- New In-Ground Lifts—Car, Truck & Bus
- Small Equipment Shop Maintenance (SESM) Lifts for lifting Landscape Equip. ATVs / UTVs, Motorcycles, Lawn Mowers, Golf Carts and More!
- Custom Lifting Equipment incl. Production Line Lifts, Rail Car Lifts and More
- Custom Hydraulic Cylinders for Various Applications
- Turf Attachments for 2-Post Lifts
- In-Ground Lift Sections and Kits
- And more!

LUBRICATION & PAINT / FOAM SPRAY REPAIR PARTS & KITS FOR:

- Alemite • ARO • Balcrank • Graco • Lincoln

PETROLEUM EQUIPMENT & REPAIR PARTS FOR:

- Gas Pump & Meter Kits and Parts for Gasboy • Tokheim • Fill-Rite
- Including Parts for Older Pumps: Wayne • Bennett • Gilbarco • Bowser A.O. Smith (Geosource) • Southwest

SEAL KITS

SHOP EQUIPMENT

- Hein-Werner Products • Omega Products
- Porto-Power • Pro-Lift

TIRE EQUIPMENT REPAIR PARTS

- Tire Changer and Wheel Balancer Parts for **All Makes**

Accu-Turn	FMC	Nussbaum
All Tool	Giuliano	Ranger
Ammco®*	Hofmann	Sicam
BaseLine®*	Hunter	Sice
Bosch	John Bean /	Snap-On
Cemb	(JBC)	Teco
Coats®*	Kwik-Way	Tuxedo
Corghi	Launch	

VALVES

- Air Compressor Valves of All Types
- Air and Hoist Control Valves
- Ball Valves • Check Valves
- Kingston Valves • Pressure Relief Valves
- Relief Valves • Safety Valves
- Solenoid Valves
- Tire Changer Valves • And More!

CUSTOM PRODUCTS

And let us know if you want something you use in your shop to be added to our product line!

DIRECT FIT™ In addition to SVI's DIRECT FIT™ BRAND, we are proud to be a one-stop shop for many other great products including:



3 Ready-Ship Warehouses for Faster Shipping! | BALTIMORE • CHICAGO • LOS ANGELES

Main Office: 155 Harvestore Drive • DeKalb, IL 60115

All names, numbers, symbols and descriptions are used for reference purposes only. It is not implied that any part listed is the product of these manufacturers.

SVI does not represent and is not associated in any way with any other companies. Entire contents copyright © 2021, SVI International, Inc. Prices subject to change without notice.

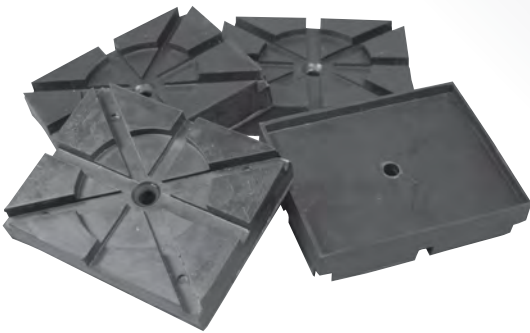
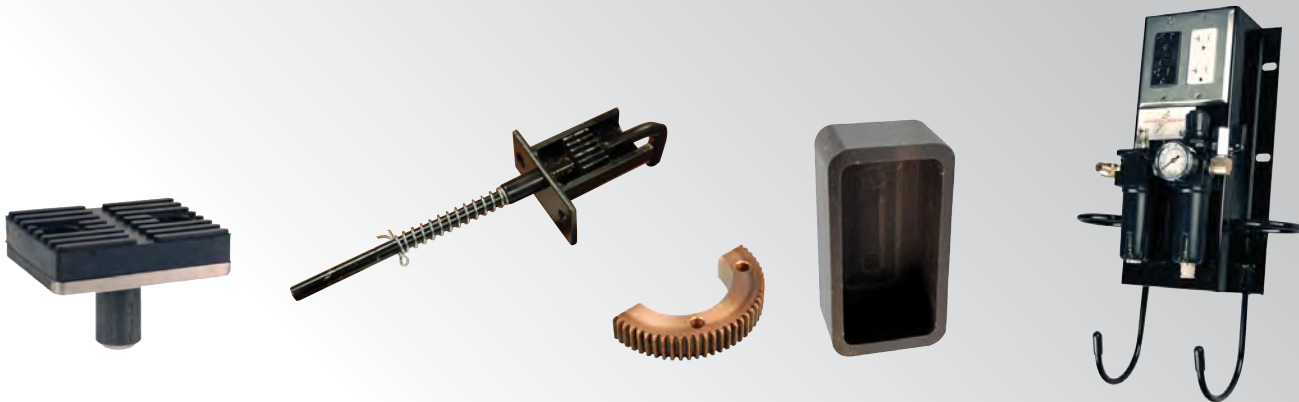
*AMMCO, BASELINE, COATS and DUCKHEAD are registered trademarks of Hennessy Industries, Inc. SVI International, Inc. is not associated in any way with Hennessy Industries, Inc.

**TERMS AND CONDITIONS OF THE
SALES ORDER
FOR SVI INTERNATIONAL, INC.**

1. **GENERAL.** The terms and conditions of sales order outlined herein shall apply to the sale by SVI INTERNATIONAL, INC. (hereinafter referred to as "Company") of the items described on the facing page (hereinafter referred to as "Merchandise") to Purchaser.
2. **DELIVERY.** Delivery shall be deemed to be complete when the Merchandise has been shipped F.O.B. Company's plants in DeKalb, Illinois, Montclair, California; and Hanover, Maryland ("Company's plants"). Shipments are subject to delays from causes or contingencies beyond the reasonable control of the Company. When otherwise not specified, shipments will be made in standard containers via carrier which, in the judgment of the Company, will result in the most practical method. Title and right of possession will pass to the Purchaser upon receipt by the carrier at the shipping point. If a customer of the Company should specify a specific carrier's method of shipment (i.e. UPS Next Day Air) and that carrier does not perform to the customer's expectations, freight credit to a customer's account will not be issued unless the Company can first obtain a credit.
3. **RISK OF LOSS.** Identification of the Merchandise under Uniform Commercial Code (hereinafter referred to as "UCC") Section 2-501 shall take place at the moment of shipment F.O.B. Company's plants. Risk of loss shall pass to the Purchaser when the Merchandise is shipped from the Company's plants.
4. **TITLE.** Title to the merchandise shall transfer to the Purchaser when the Merchandise is shipped from the Company's plants.
5. **WARRANTIES.** The Company guarantees its products to be free from defects in workmanship and raw materials for a period of one year from date of purchase. THIS WARRANTY IS EXPRESSLY IN LIEU OF ANY AND ALL WARRANTIES EXPRESS OR IMPLIED. COMPANY DOES NOT WARRANT THE MERCHANDISE IS MERCHANTABLE OR FIT FOR ANY PARTICULAR PURPOSE. Company's liability for breach of the terms of this Agreement, including any warranty, is limited to either refund of the invoice price of the Merchandise or at Company's option, replacement of the Merchandise free of charge, including transportation charges but not including the cost of labor. Purchaser has not relied on any statement or upon the conduct of Company with respect to the prospective use of the merchandise. Company shall not be liable for and Purchaser waives any and all claims for any loss or damage, directly or indirectly, arising from the use of the Merchandise and for punitive, incidental or consequential damages, including, but not limited to, damages to property, for loss of use, loss of time, loss of profit or loss of income. The Company does not authorize the sale of our products under any other warranty, expressed or implied. **Please note:** Electrical components and cylinder or shaft seals are not covered under warranty.
6. **SETOFF.** All claims for money due or to become due from the Company shall be subject to deduction by the Company for any setoff or counterclaim arising out of this or any other claims of the Company or its affiliated companies, whether such setoff or counterclaim arose before or after any assignment by Purchaser.
7. **INDEMNIFICATION.** Purchaser agrees to indemnify the Company and hold it harmless from and against all claims, liability, loss, damage or expense, including reasonable counsel fees, arising from or by reason of any modifications or alterations made by Purchaser. If a customer of the Company modifies or alters any part, in any manner whatsoever, or uses any part in departure from recommended performance specifications, said customer agrees to indemnify and hold the Company harmless from and against all liability and expenses based on damage to property or injury to or death of any person arising out of or attributable to such modified or altered part. Further, the Company will not accept any such modified or altered part for credit to a customer's account.
8. **FREIGHT POLICY.** Freight charges are prepaid and added to invoice or collect FOB shipping point. Note: All customers are responsible for all carrier shipping costs, fees, surcharges, etc. including order refusal and return fees.
9. **RETURN POLICY.** To return a part for credit or inspection, Purchaser must first contact our Main Office in Illinois, to obtain a Return Merchandise Form. Once Purchaser has obtained this form, the parts can be returned freight prepaid only. The Return form must be included with the shipment. Parts returned to the Company without the approved form will be returned freight collect to the shipper or refused. Returns must be initiated within 30 days of the invoice date. The Return Forms are valid for 30 days, from the date of issue. All Returns are subject to restocking charges. Return parts brought into our remote warehouses, will not be accepted by our personnel, without a Return Merchandise Form from the Main Office. Parts which have been used in any way or manner, including any installation or incorporation into a lift, hoist, or other equipment, shall NOT be eligible for return whether or not a Return form has been assigned. **Please note: Electrical parts or components are not returnable for credit.** This includes all switches, pushbuttons, relays, electric motors, capacitors, fuses, solenoids, power units with wiring issues or any other electrical items. Custom, built to order, special order, and non-stocked genuine parts are non-returnable.
10. **RESTOCK CHARGE.** Returns are subject to a restocking charge. Refusals are subject to the same restocking charge plus the cost of outbound and return freight charges and/or fees incurred by the Company due to shipment refusal.
11. **PRICES AND PAYMENTS.** All prices are subject to change without notice. All prices are F.O.B. shipping point. The Company standard terms are net 30 days, C.O.D. company check, C.O.D. cash, VISA, MasterCard, Discover or American Express. However, if in the judgment of the Company, the financial condition of the Purchaser at any time does not justify shipment according to standard terms of payment, the Company may require full or partial payment in advance.
12. **INTERPRETATION.** This sales order is intended by the parties as a complete and exclusive statement of the terms of their agreement. It supersedes all prior agreements, written or oral. No course of prior dealings between the parties and no usage of the trade shall be relevant to supplement or explain any terms used in this sales order. Acceptance or acquiescence in a course of performance rendered under this purchase order shall not be relevant to determine the meaning of this sales order even though the accepting or acquiescing party has knowledge of the nature of the performance and opportunity for objection. Whenever a term defined by the UCC is used in this sales order the definition contained in the UCC shall control.
13. **MODIFICATION.** This sales order can be modified or rescinded only by a writing signed by both parties.
14. **WAIVER.** No claim or right arising out of a breach of this sales order can be discharged in whole or in part by a waiver or renunciation of the claim or right unless such waiver or renunciation is supported by consideration and is in writing signed by the aggrieved party.
15. **ASSIGNMENT.** No right or interest in this sales order shall be assigned by either party without the written consent of the other and no delegation of any obligation owed, or of the performance of any obligation by either the Company or Purchaser shall be made without the written consent of the other party. Any attempted assignment or delegation not made in conformity with this paragraph shall be wholly void and totally ineffective for all purposes.
16. **TIME TO PERFORM AND BRING ACTION.** Time is of the essence of this sales order. Any action for breach of this sales order shall be commenced within two (2) years after the cause of action has accrued. Any party who loses any litigation shall reimburse the other party for costs including reasonable attorney's fees. The exclusive jurisdiction for any legal action shall be the Circuit Court of DeKalb County, Illinois.
17. **APPLICABLE LAW.** This sales order shall be governed by the UCC of Illinois as effective and in force on the date of this sales order.



BALTIMORE • CHICAGO • LOS ANGELES



DIRECTFIT™
SVI's DIRECT FIT™ BRAND

- Air Compressor Parts and Filters
- Auto Lift Parts for Any Brand
- Auto Lift Cables and Chain
- Auto Lift Power Units and Parts
- Auto Lift Sheaves / Pulleys and Chain Rollers
- Brake Lathes and Repair Parts for All Makes
- Exhaust System Products
- Fluid Delivery Repair Parts
- Hose Reels and Hose Stops
- In-Ground Auto Lifts
- Lubrication Equipment Repair Parts
- Petroleum / Service Station Pump and Tank Products
- RELS Brake Lathes
- Repair Parts for Gasboy Consumer Series
- SESM Lifts for ATV/UTV, Golf Cart and More!
- Tire Changer Repair Parts
- Transfer Pumps
- Turf Attachments for 2-Post Lifts
- Vehicle Lifting Systems
- Wheel Balancer Accessories

SVI International, Inc.

155 Harvestore Drive • DeKalb, IL 60115

800-321-8173 • 815-748-0200

Fax: 800-899-1784 • 815-748-0210

Entire contents copyright © 2021, SVI International, Inc.

Information and Catalogs Online:
www.sviinternational.com