

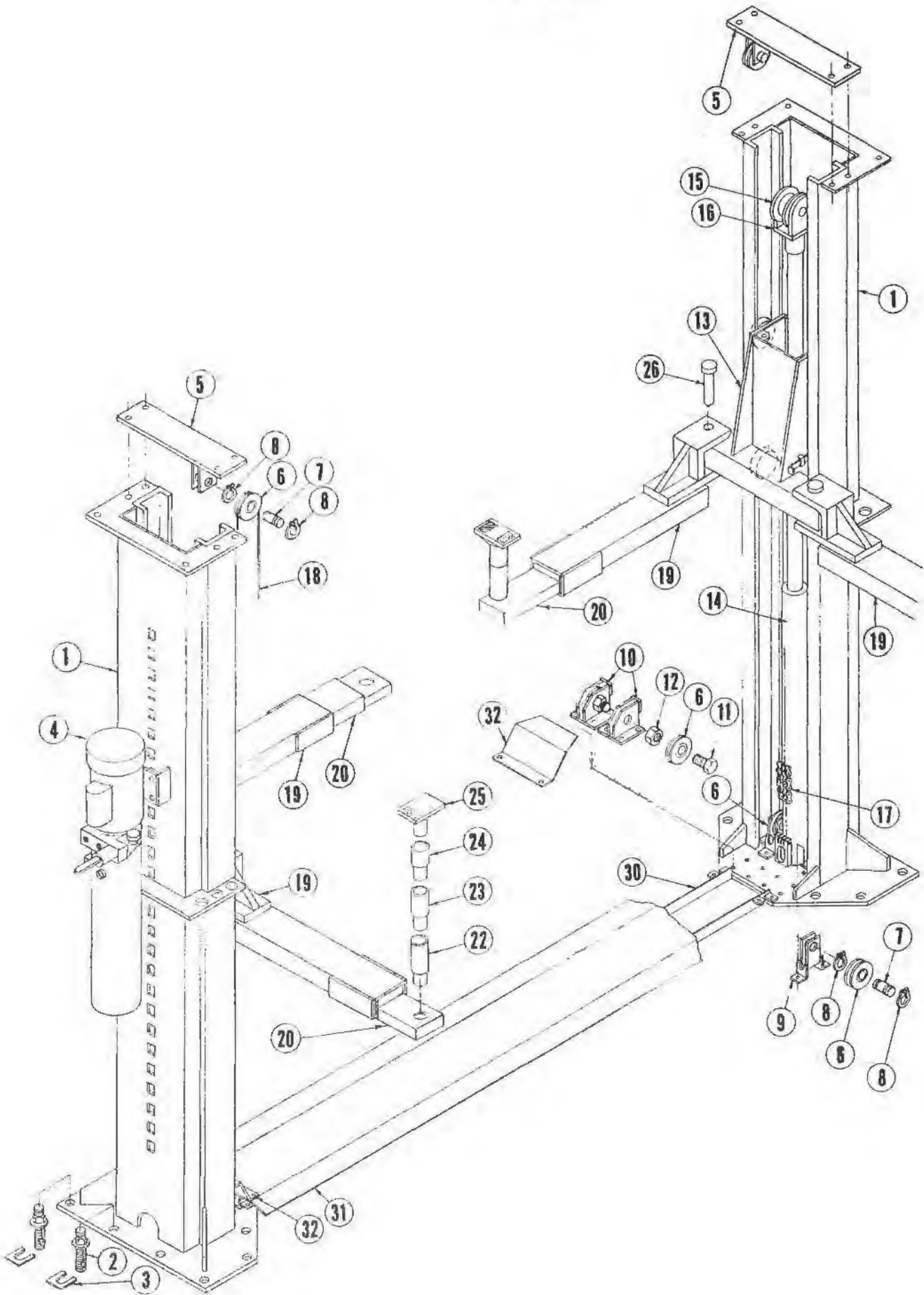
T
U
B
E
M
A
S
T
E
R

PARTS MANUAL
BEN PEARSON TUBEMASTER LIFTS

MODELS:

LMP 7 LMP 9

LIFT PARTS
LMP7 & 9



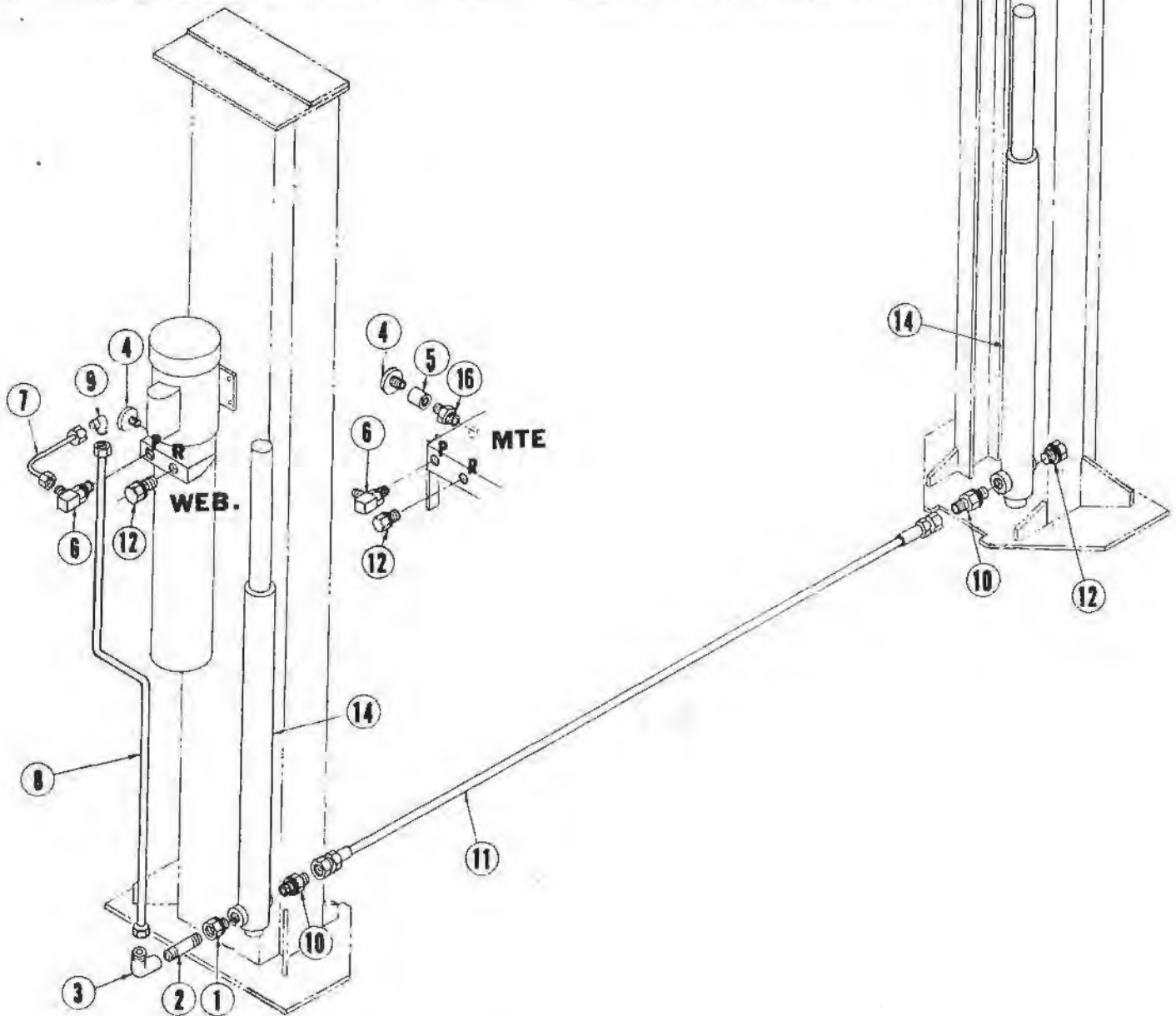
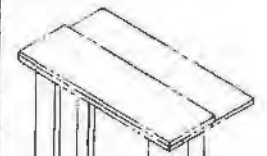
LIFT PARTS
LMP7 & 9

Code	Part Name	QTY.	LMP7	LMP9
1	Post Structure	2	82711	82711
2	Anchor Bolt 3/4 x 5	16	80362	80362
3	Shim Kit (32 Shims)	1	80589	80589
4	Power Unit - Universal (See Breakdown 10) WF	1	82955	82957
4	Power Unit - Universal (See Breakdown 10) MTF	1	82961	82963
	Hex Screw 5/16-18NC x 7/8	4	100198	100198
	Lock Washer 5/16	4	100159	100159
	Hex Nut 5/16-18NC	4	100102	100102
#	Connecting Body 10-3 Wire Ground	1	80136	80136
5	Support Structure - Top Idler	2	81917	81917
	Hex Screw 1/2-13NC x 1 3/4 Gr. 5	8	80453	80453
	Lock Washer 1/2	8	100125	100125
	Hex Nut 1/2-13NC	8	100124	100124
6	Idler Assembly - Cable	10	81924	81924
7	Pin - Idler	6	81819	81819
8	Retaining Ring - Wide 3/4	12	80864	80864
9	Idler Support Structure - Lower	4	81816	81816
	HFHSL Screw 1/2-13NC x 3/4	8	100243	100243
10	Idler Support Str. - Lower Auxiliary	4	81940	81940
	HFHSL Screw 3/8-16NC x 3/4 Gr. 5	16	100240	100240
11	Shoulder Screw 5/8-11NC	4	81976	81976
12	Nylock Nut - Thin 5/8-11NC	4	81977	81977
13	Carriage Assembly (See Breakdown)	2	81824	81824
14	Hydraulic Cyl. 2" Rod - 9/16 ORB Ports	2	81821	81921
	HFHSL Screw 3/8-16NC x 3/4 Gr. 5	4	100240	100240
	Seal Kit (Replacement Only Prince)	1	81913	81922
	Seal Kit (Replacement Only Cross)	1	82218	82219
15	Roller Assembly - Cyl. Consists Of:	1	82714	82714
	1 - 82715 - Roller			
	2 - 80171 - Bearing			
16	Cylinder End Structure	2	80675	80675
	Spacer - Roller	2	80227	80227
	Pin - Cylinder End	2	81822	81822
	Retaining Ring - Wide 3/4	4	80864	80864
	HFHSL Screw (End to Cyl.) 3/8 NC x 1 Gr. 5	2	100238	100238
17	Chain - Leaf 3 & 4	2	81823	81823
	Soc. Hd. Cap Screw 5/16-18NC x 1 3/4 Sp.	2	81185	81185
	Soc. Hd. Cap Screw 5/16-18NC x 2 3/4 Sp.	2	81907	81907
	Hex Nut - Nylock 5/16-18NC	4	80064	80064
18	Cable Assembly	2	82743	81926
	Hex Nut	8	100157	100073
	Flat Washer	8	100141	-
19	Arm Structure	4	82301	82301
20	Arm Extension Structure	4	82304	82304
	Hex Screw 1/2-13NC x 1 1/2 Gr. 5	4	80144	80144
	Lock Washer	4	100125	100125
#	NOT SHOWN			

OME Inc.
7307 Aurora Rd
Aurora OH 44202
PH: 440 543-6474
Toll Free: 800 543-8760

HYDRAULIC LAYOUT LMP7 & 9

Code	Part Name		QTY.	LMP7	LMP9
1	Female Adapter	9/16 ORB x 1/4 NPTF	1	80992	80992
2	Pipe Nipple	1/4 x 5	1	100225	100225
3	90° Elbow	3/4 JIC x 1/4 NPTF	1	100227	100227
4	Dry Pressure Gauge	1/4 NPT Connection	1	80124	80124
5	Coupling (MTE Only)	1/4 NPT	1	82066	82066
6	90° Elbow	9/16 ORB x 3/4 JIC	1	82056	82056
7	Tube Ass'y. (Upper)	1/2 OD 3/4-16 JIC	1	82198	82198
8	Tube Ass'y.	1/2 OD 3/4-16 JIC	1	82200	82200
9	90° Elbow	3/4 JIC	1	81929	81929
10	Tube Union	9/16 ORB x 9/16 JIC	2	60544	60544
11	Hose Assembly	3/8 Hose-9/16 JIC	1	81916	81916
12	Plug	9/16 ORB	2	100026	100026
14	Hydraulic Cylinder	9/16 ORB	2	81821	81921
16	Hex Nipple (MTE Only)	3/8 NPT x 1/4 NPT	1	61496	61496

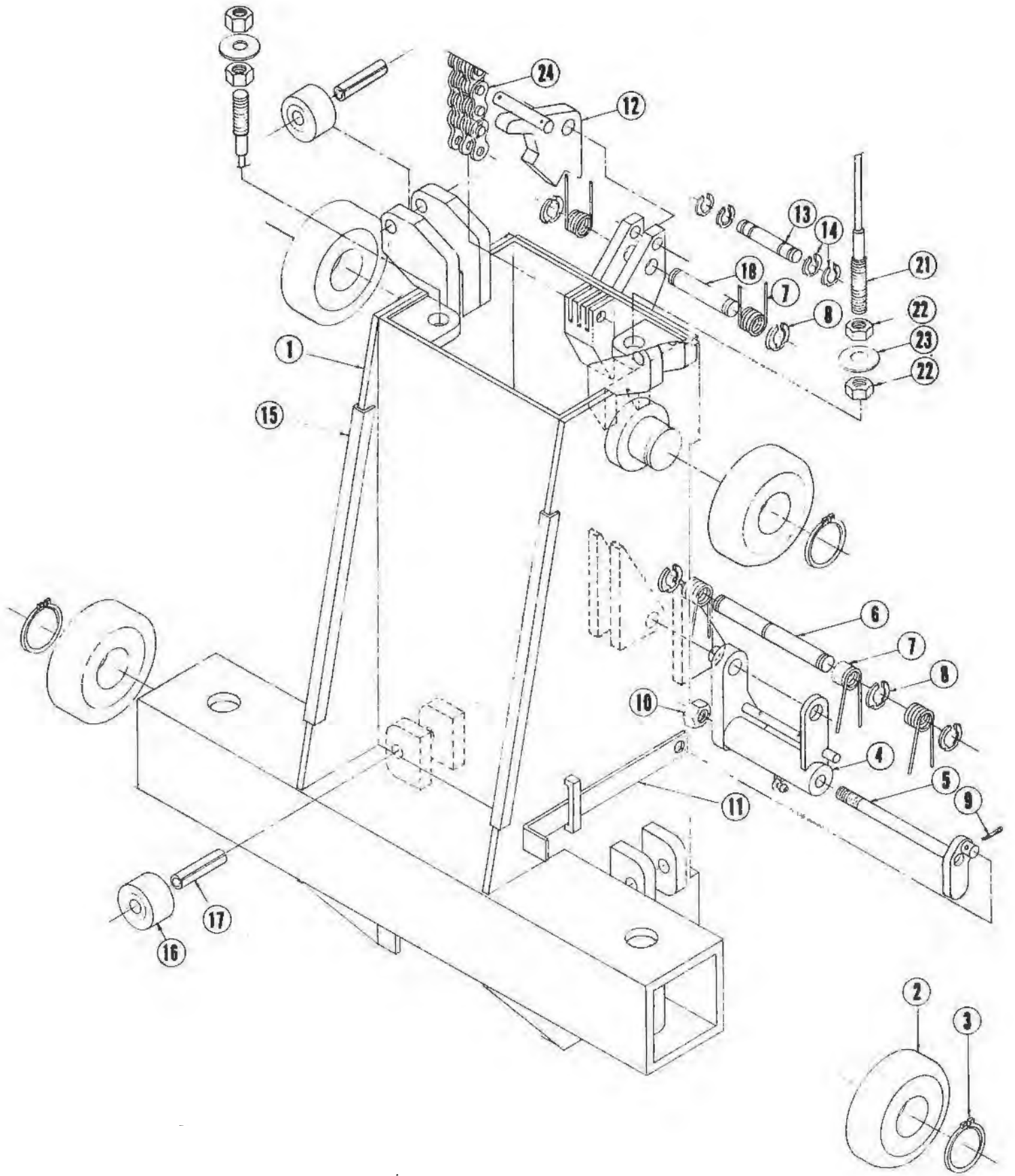


BILL OF MATERIAL
LMP7 & 9

Code	Part Name	QTY.	LMP7	LMP9
	Main Post Assembly w/Carriage	1	81949	81951
	Offside Post Assembly w/Carriage	1	81950	81952
	Tube Assembly - Lower	1	82200	82200
	Lift Arm Assembly	4	82300	82300
	Pin Structure 1" Dia. (Arms)	4	81885	81885
	Pad - Lifting	4	81690	81690
	5" Extension Structure	4	81691	81691
	2 5/8" Extension Structure	4	81693	81693
	Trough Structure	1	81945	81945
	Cover - Drive-Over	1	81947	81947
	Cover - Bottom Idler	2	81948	81948
	Cable Assembly	2	82743	81926
	Tube Assembly - Upper	1	82198	82198
	Hose Assembly - Cross-Over	1	81916	81916
	Power Unit 1Ø Universal	1		
	Connecting Body 1Ø	1	80136	80136
	Dry Pressure Gauge	1	80124	80124
	90° Elbow 3/4 JIC	1	81929	81929
	Anchor Bolt 3/4 x 5	16	80362	80362
	Shim Kit (32 Shims)	1	80589	80589
	Hex Plug 9/16 ORB	1	100026	100026
	Pipe Nipple 1/4 x 5	1	100225	100225
	90° Elbow 3/4 JIC x 1/4 NPTF	1	100227	100227
	90° ORB Elbow (One Not Used This Model)	2	82056	82056
	Coupling (MTE Only) 1/4 NPT	1	82066	82066
	Hex Nipple (MTE Only) 3/8 x 1/4	1	61496	61496
	ORB Straight Adapter (Not Used This Model)	1	82057	82057
	Hex Nut 5/8-18NF (For Cable)	8	-	100073
	Hex Nut 1/2-20NF (For Cable)	8	100157	-
	Flat Washer 17/32 ID (For Cable)	8	100141	-
	Hex Screw 3/8-16NC x 3/4 Trough	4	100179	100179
	Hex Screw 3/8-16NC x 1/2 Covers	4	80814	80814
	Flat Washer	8	100082	100082
	Lock Washer 3/8 External Tooth (Covers)	4	100046	100046
	Lock Washer 3/8 (Trough)	4	100119	100119
	Hex Screw 5/16-18NC x 7/8 (Mount PU)	4	100198	100198
	Lock Washer 5/16	4	100159	100159
	Hex Nut 5/16-18NC	4	100102	100102
	Operator's Manual 3/88	1	81974	81974
	Decals - Ren Pearson	6		

OME Inc.
7307 Aurora Rd
Aurora OH 44202
PH: 440 543-6474
Toll Free: 800 543-8760

CARRIAGE ASSEMBLY
LM07 & 9 - LMP7 & 9
LAS07 & 9 - LAS7 & 9



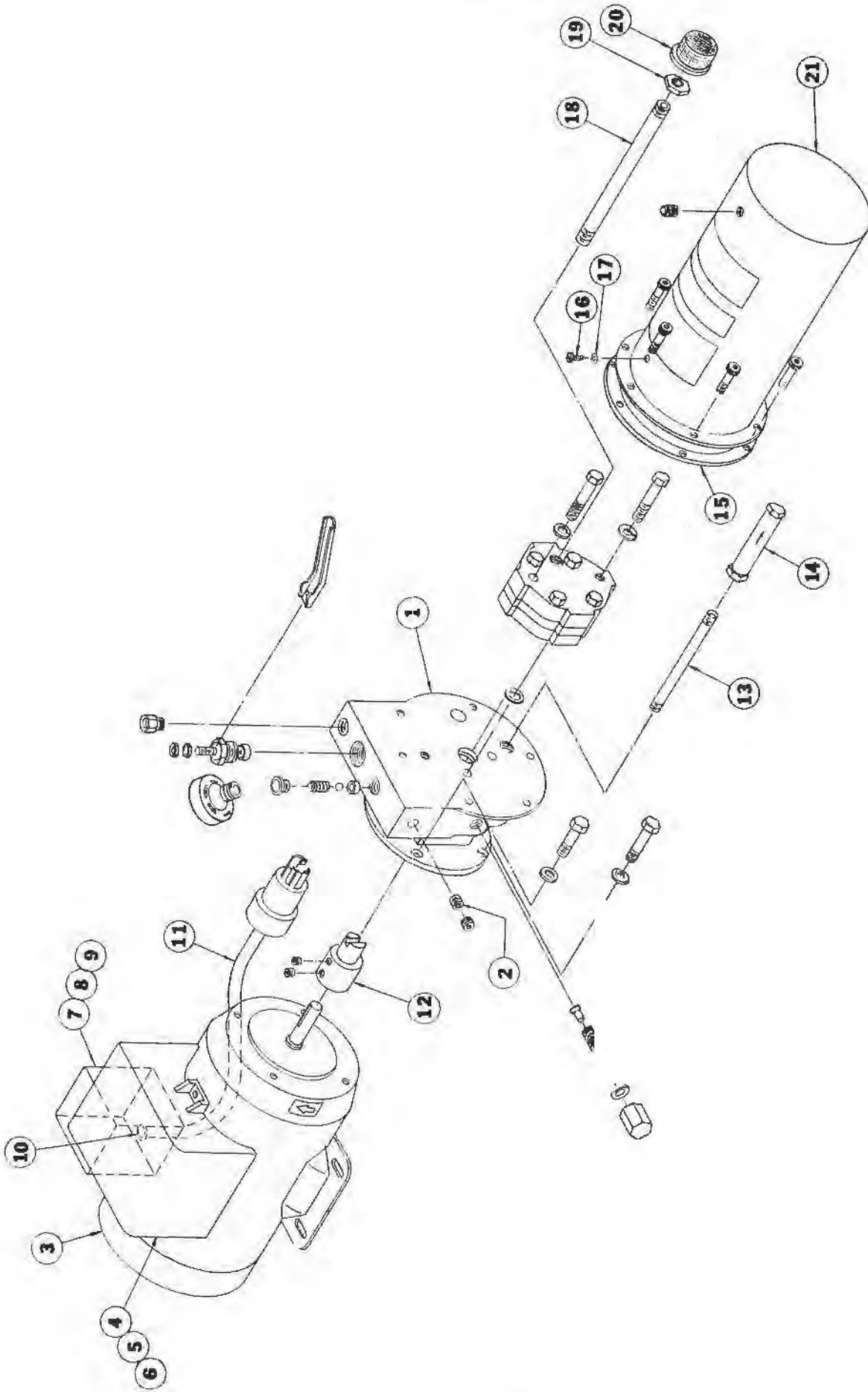
CARRIAGE ASSEMBLY
LMO7 & 9 - LMP & 9

Code	Part Name	QTY.	LM07 LMP7	LM09 LMP9
-	Carriage Assembly - LMO7 & 9 - LMP7 & 9	2	81824	81824
	Consists Of Codes 1 Thru 18			
1	Carriage Structure	1	82310	82310
2	Bearing - Mast Guide 3.72 OD	4	81446	81446
3	Retaining Ring 1 3/8	4	100089	100089
4	Latch Assembly 1 - 81471 Grease Fitting-Drive	1	82756	82756
5	Cam Structure	1	81842	81842
6	Shaft - Pivot Latch	1	82760	82760
7	Spring - Torsion	5	80739	80739
8	Retaining Ring 1/2	5	80738	80738
9	Cotter Pin 3/32 x 3/4	1	100233	100233
10	Nylock Nut 3/8-16NC	1	81082	81082
11	Lever - Cam	1	81849	81849
12	Latch Structure - Slack Chain	1	82171	82171
13	Pin - (Latch)	1	82173	82173
14	Retaining Ring 3/8	4	80683	80683
15	Bumper Pad	2	81850	81850
16	Cam Yoke Roller	4	80176	80176
17	Roll Pin 7/16 x 2	4	100302	100302
18	Shaft - Slack Chain	1	80737	80737
	(FOR ONE CARRIAGE)			
21	Cable Assembly - LMP Only	1	82743	81926
21	Cable Assembly - LMO Only	1	82742	81927
22	Hex Nut	4	100157	100073
23	Flat Washer 17/32 ID	4	100141	-
24	Chain 4/3	1	81823	81823

CARRIAGE ASSEMBLY
LAS7 & 9 - LAS07 & 9

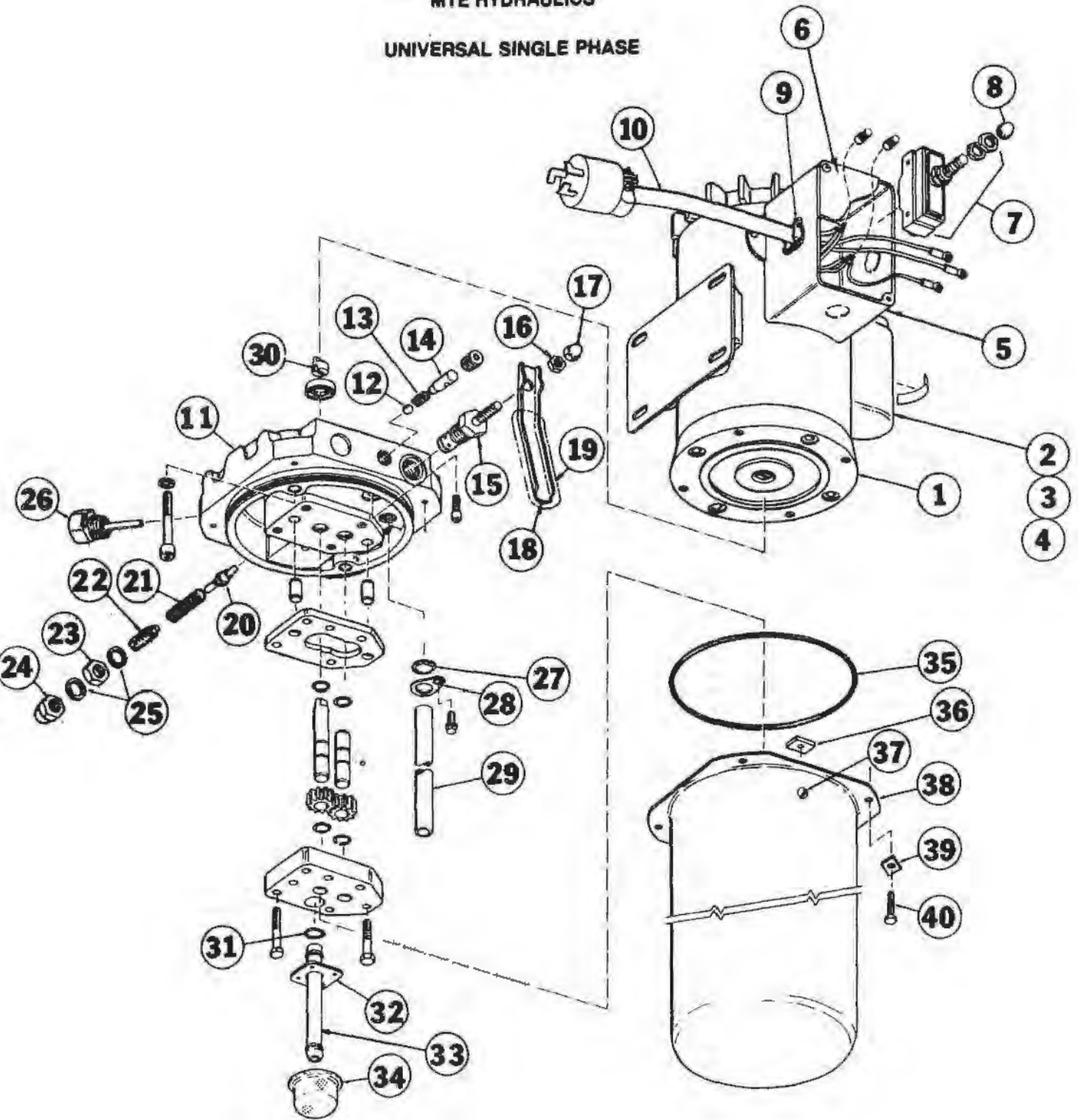
Code	Part Name	QTY.	LAS07 LAS7	LAS09 LAS9
-	Carriage Assembly - LAS7 & 9 - LAS07 & 9	2	81824	81824
	Consists of Codes 1 Thru 18:			
1	Carriage Structure	1	82310	82310
2	Bearing - Mast Guide 3.72 OD	4	81446	81446
3	Retaining Ring 1 3/8	4	100089	100089
4	Latch Assembly 1 - 81471 Grease Fitting Drive	1	82756	82756
5	Cam Structure	1	81842	81842
6	Shaft - Pivot Latch	1	82760	82760
7	Spring - Torsion	5	80739	80739
8	Retaining Ring 1/2	5	80738	80738
9	Cotter Pin 3/32 x 3/4	1	100233	100233
10	Nylock Nut 3/8-16NC	1	81082	81082
11	Lever - Cam	1	81849	81849
12	Latch Structure - Slack Chain	1	82171	82171
13	Pin (Latch)	1	82173	82173
14	Retaining Ring	4	80683	80683
15	Bumper Pad	2	81850	81850
16	Cam Yoke Roller	4	80176	80176
17	Roll Pin 7/16 x 2	4	100302	100302
18	Shaft - Slack Chain	1	80737	80737
	(FOR TWO CARRIAGES)			
21	Cable Assembly, Short (LAS0)	1	82744	82270
21	Cable Assembly, Long (LAS0)	1	82745	82271
21	Cable Assembly, Short (LAS)	1	82746	82274
21	Cable Assembly, Long (LAS)	1	82747	82275
22	Hex Nut	8	100157	100073
23	Flat Washer 17/32 ID	8	100141	-
24	Chain 4/3	2	81823	81823

1 PHASE POWER UNIT BREAKDOWN
WEBSTER ELECTRIC



POWER UNIT BREAKDOWN
MTE HYDRAULICS

UNIVERSAL SINGLE PHASE

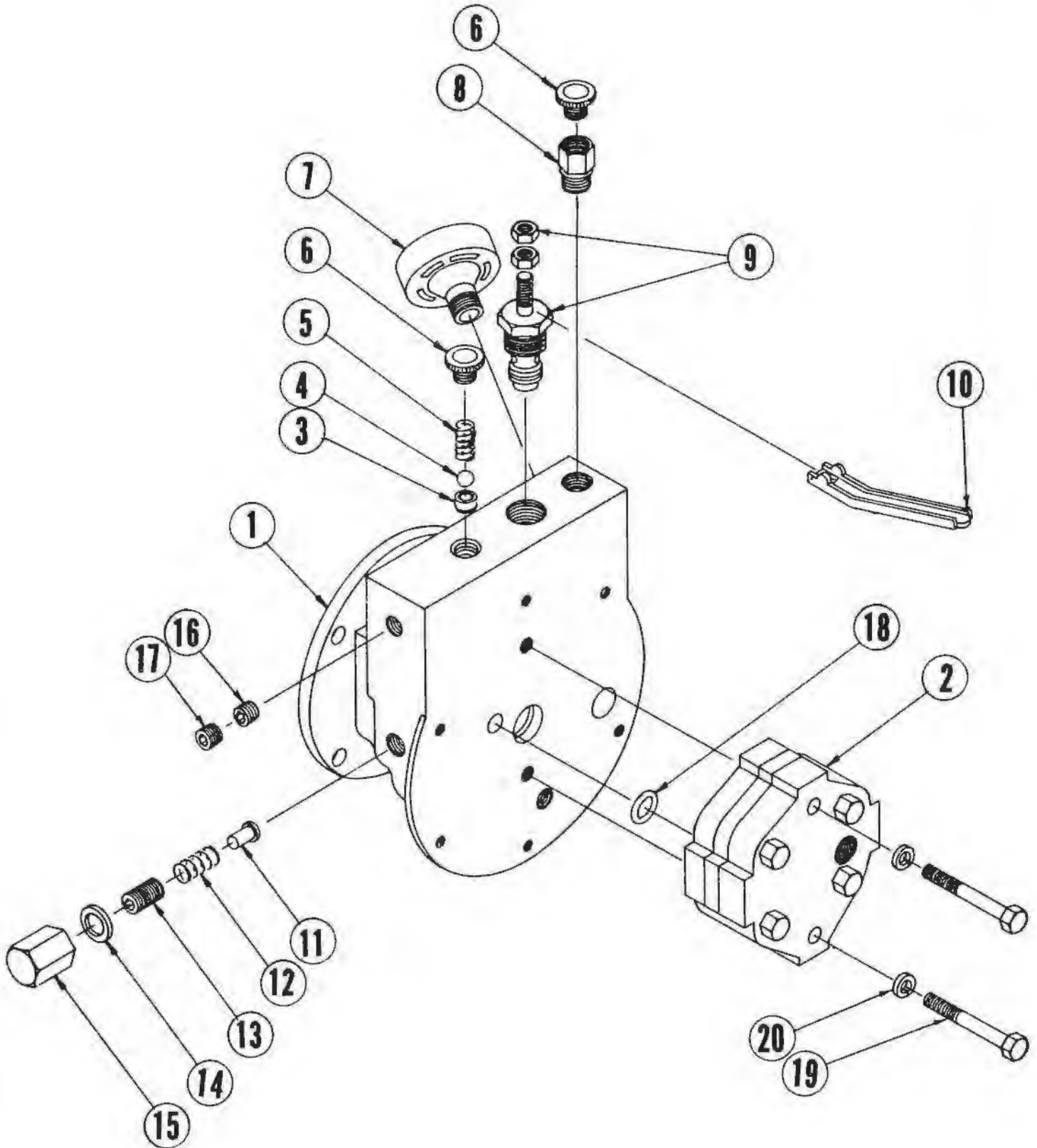


1 PHASE UNIVERSAL POWER UNIT - MTE
BREAKDOWN

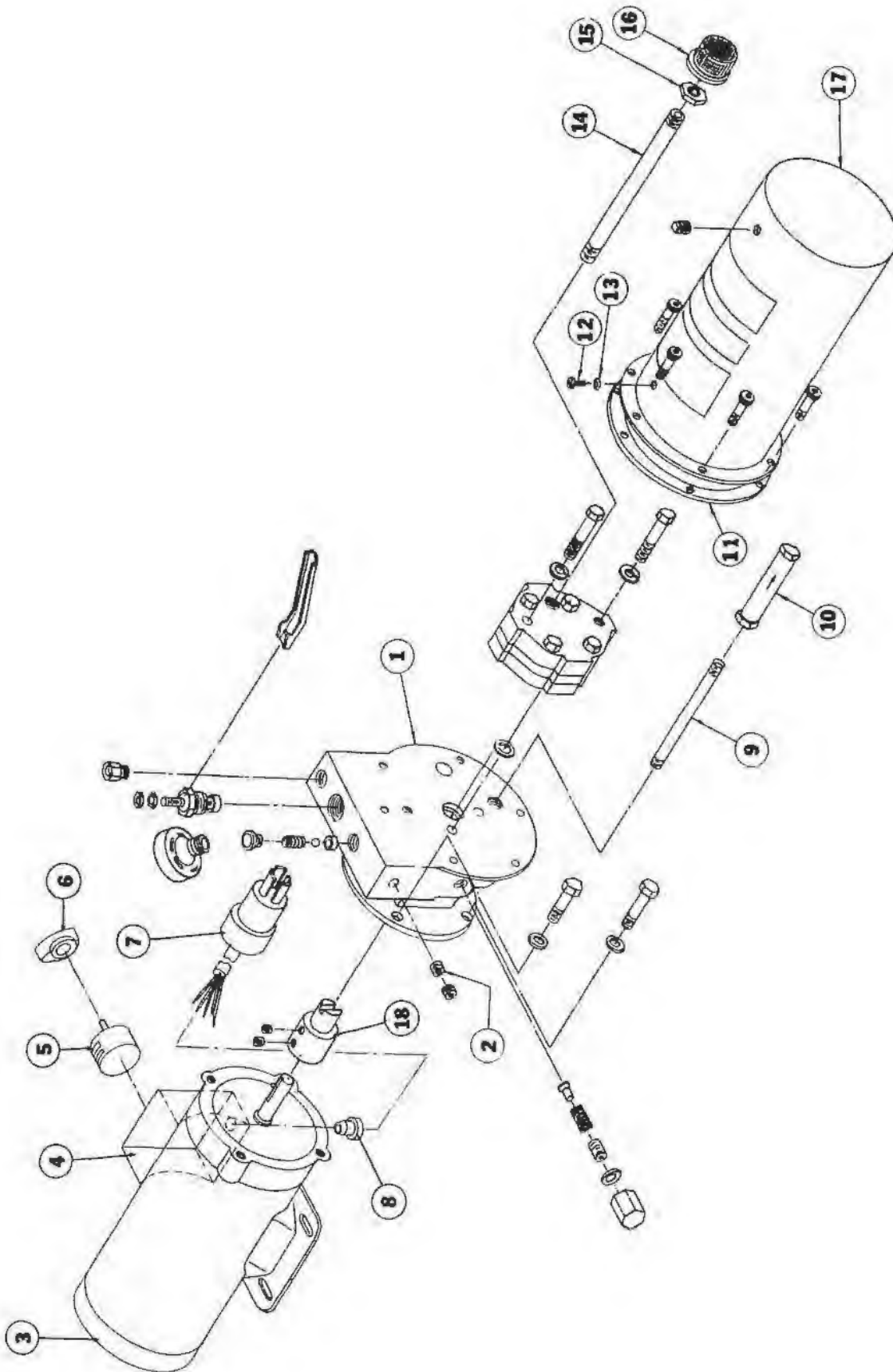
Code	Part Name	Qty.	Part No.
-	Power Unit 1 Phase Universal MTE Includes:	1	,
1	1 - 82097 Motor Assembly 1 Phase 2 HP 3400 RPM		
*2	1 - 82997 Capacitor Cover		
*3	1 - 82998 Start Capacitor		
*4	1 - 82999 Run Capacitor		
*5	1 - 83000 Conduit Box		
*6	1 - 82099 Conduit Box Cover		
*7	1 - 80282 Switch Assembly		
*8	1 - 82100 Switch Protector		
*9	1 - 82111 Strain Relief Bushing		
*10	1 - 83001 Power Cord Ass'y. w/Plug 80467		
11	1 - 82131 Pump & Mounting Plate Assembly		
**12	1 - 82103 Ball		
**13	1 - 82104 Spring		
**14	1 - 82105 Spring Guide		
**15	1 - 82088 Manual Cartridge Valve		
**16	1 - - Nut, 5/16-18		
**17	1 - - Acorn Nut, 5/16-18		
**18	1 - 82089 Lever, Valve		
**19	1 - 83002 Grip, Lever		
**20	1 - 82096 Valve Poppet		
**21	1 - 82109 Spring		
**22	1 - 82110 Adjusting Screw		
**23	1 - 80759 Hex Jam Nut 1/2-20 NF		
**24	1 - - Acorn Nut 1/2-20 NF		
**25	2 - - Washer		
26	1 - 81954 Breather		
27	1 - - Star Washer		
28	1 - 82528 Return Tube Clamp		
29	1 - 82530 Return Tube		
30	1 - 82098 Coupling		
31	1 - 82529 O'Ring		
32	1 - - Clamp, Suction Tube		
33	1 - 82531 Inlet Tube		
34	1 - 82094 Filter, Strainer		
35	1 - 82134 O'Ring, Reservoir		
36	1 - 82095 Magnet		
37	1 - - Secrew, Vent		
38	1 - 82092 Tank Reservoir, 3 1/2 Gallon		
39	4 - 82093 Reservoir Clamp		
40	4 - - Hex Cap Screw		
*	Parts Included In Motor Assembly		
**	Parts Included In Pump & Mounting Plate Assembly 82131		

OME Inc.
7307 Aurora Rd
Aurora OH 44202
PH: 440 543-6474
Toll Free: 800 543-8760

PUMP & MOUNTING PLATE ASSEMBLY - WEBSTER ELECTRIC
BREAKDOWN



3 PHASE POWER UNIT - WEBSTER ELECTRIC
BREAKDOWN

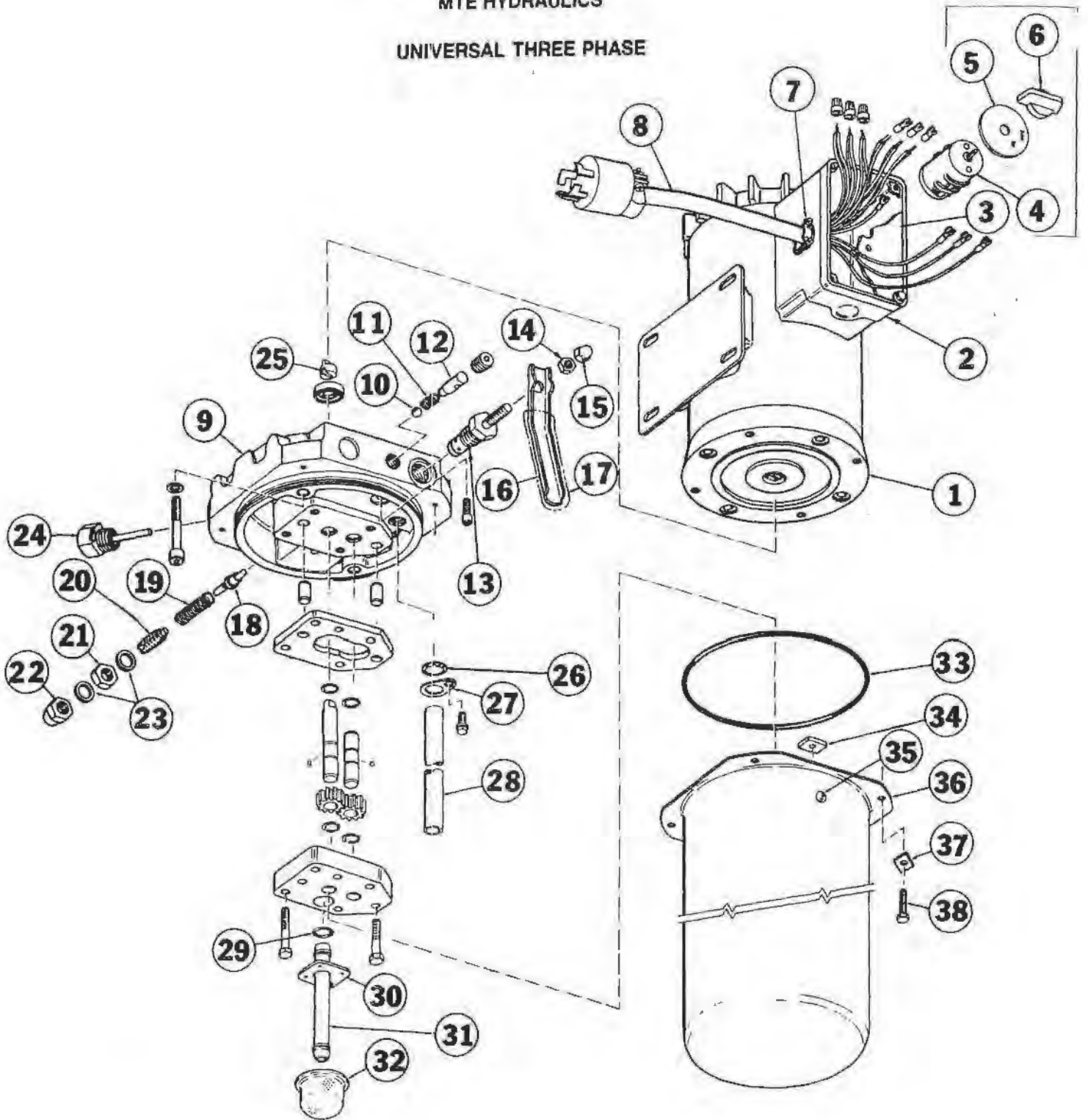


3 PHASE POWER UNIT - WEBSTER ELECTRIC
BREAKDOWN

Code	Part Name	Qty	Part No.
-	Power Unit - 3 Ø Universal Webster Electric Includes:	1	
1	1 - 82497 Pump & Mounting Plate Assembly (See Breakdown)		
2	1 - 82774 Orifice .062 Dia. Hole		
2	1 - 82775 Orifice .086 Dia. Hole		
2	1 - 82776 Orifice .093 Dia. Hole		
3	1 - 82496 Motor 2.8 HP 3 Ph. 3450 RPM 230/460v (Ass'y.)		
*4	1 - 82994 Motor Conduit Box		
*5	1 - 82495 Rotary Switch w/Knob		
*6	1 - 82996 Knob Switch		
*7	1 - 81169 Power Cord Ass'y. w/Plug 82521		
*8	1 - 82116 Strain Relief Bushing		
9	1 - 82075 Pipe Nipple 1/4 x 25.5 Long		
10	1 - 82074 Check Valve Assembly		
11	1 - 80287 Gasket, Tank		
12	1 - 80928 Pan Head Self Tap Screw #12		
13	1 - 80929 Gasket		
14	1 - 82073 Pipe Nipple 3/8 x 27 Long		
15	1 - 100083 Nut, Pal 3/8 NPT		
16	1 - 80285 Strainer		
17	1 - 82082 Tank 3.5 Gal.		
18	1 - 80900 Coupling		
*	Parts Are Included As Part Of 82496 Motor Ass'y.		

OME Inc.
7307 Aurora Rd
Aurora OH 44202
PH: 440 543-6474
Toll Free: 800 543-8760

POWER UNIT BREAKDOWN
MTE HYDRAULICS
UNIVERSAL THREE PHASE



3 PHASE UNIVERSAL MTE POWER UNIT
BREAKDOWN

Code	Part Name	Qty.	Part No.
-	Power Unit - 3 Phase Universal MTE Includes:	1	
1	1 - 82511 Motor Assembly 3 Phase 2 HP, 230v 3450 RPM		
*2	1 - 83005 Conduit Box 3 Phase		
*3	1 - 82517 Conduit Box Cover		
*4	1 - 82518 Switch, Rotary		
*5	1 - 83003 Cover, Switch (Included w/Switch)		
*6	1 - 83004 Knob-Switch (Included w/Switch)		
*7	1 - 82519 Strain Relief Bushing		
*8	1 - 83006 Power Cord Ass'y. w/Plug 82521		
9	1 - 82131 Pump And Mounting Plate Ass'y.		
**10	1 - 82103 Ball		
**11	1 - 82104 Spring		
**12	1 - 82105 Spring Guide		
**13	1 - 82088 Manual Cartridge Valve		
**14	1 - - Hex Nut, 5/16-18NC		
**15	1 - - Acorn Nut, 5/16-18NC		
**16	1 - 82089 Lever		
**17	1 - 83002 Grip, Lever		
**18	1 - 82096 Valve, Poppet		
**19	1 - 82109 Spring		
**20	1 - 82110 Adjusting Screw		
**21	1 - 80759 Jam Nut, 1/2-20 NF		
**22	1 - - Acorn Nut 1/2-20 NF		
**23	2 - - Washer 1/2		
24	1 - 81954 Breather Assembly		
25	1 - 82098 Coupling		
26	1 - - Star Washer		
27	1 - 82528 Return Tube Clamp		
28	1 - 82530 Return Tube		
29	1 - 82529 O'Ring		
30	1 - - Clamp - Must Be Purched w/31 Below		
31	1 - 82531 Inlet Tube		
32	1 - 82094 Filter, Strainer		
33	1 - 82134 O'Ring		
34	1 - 82095 Magnet		
35	1 - - Vent Screw		
36	1 - 82092 Reservoir 3 1/2 Gal.		
37	4 - 82093 Reservoir Clamp		
38	4 - - Hex Cap Screw		
*	Parts Included in Motor Assembly 82511		
**	Parts Included in Pump & Mounting Plate Ass'y. 82131		

OME Inc.
7307 Aurora Rd
Aurora OH 44202
PH: 440 543-6474
Toll Free: 800 543-8760