



**DIRECTFIT™**

# Auto Lift Repair Parts and Accessories for Ben Pearson

Automotive Shop Equipment | Auto Lift Repair Parts

*The Industry's Largest Selection of Auto Lift Repair Parts*

**DIRECTFIT™**  
SVI's DIRECT FIT™ BRAND



**SVI International, Inc.**  
155 Harvestore Drive • DeKalb, IL 60115

**800-321-8173**  
**815-748-0200**

[www.sviinternational.com](http://www.sviinternational.com)

BALTIMORE • CHICAGO • LOS ANGELES



**DIRECTFIT™**  
SVI's DIRECT FIT™ BRAND

## Table of Contents



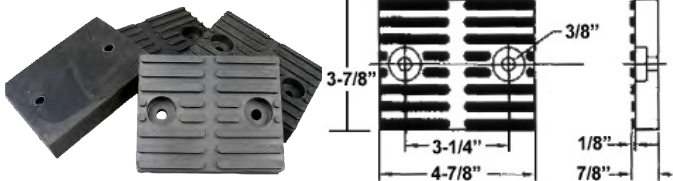
Height Extensions, Pads and Adapters ..... 3-4  
 Hydraulic Cylinder Seal Kits ..... 5  
 Cables for Ben Pearson ..... 6-7  
 Commonly Requested Parts..... 8-10  
 ART, ARTO, TPA, TPAO ..... 11-17  
 LAS 7, LAS 9 ..... 18-21  
 LASO 7, LASO9 ..... 21-24  
 LMO 7, LMO 9, LMP 7, LMP 9 ..... 25-29  
 NDL 5500, NDL 7000 ..... 30-33  
 NDO 7, NDO9, NDF 7, NDF 9 ..... 34-38  
 9000 FC ..... 39-41  
 FAR 12 ..... 42-45  
 LMA 9, LMA 12 ..... 46-47  
 LMT 6 ..... 48-49  
 LMT 12, SST 12, LMT 9, SST 9 ..... 50-53  
 LMT 22 ..... 54  
 LMT 30 ..... 55  
 LTC 9 ..... 56-59  
 QLR 2000 ..... 60-65

Power Units ..... 66  
 Turf Lift Attachments..... 67  
 More from SVI ..... 68

**BALTIMORE • CHICAGO • LOS ANGELES**  
**(800) 321-8173 • fax: (800) 899-1784**  
**www.sviinternational.com**

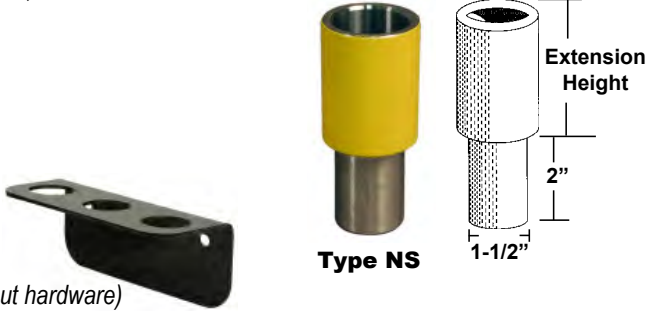
**Height Extensions, Pads and Adapters** See our *Height Extension Catalog* for more options.

**Please always confirm dimensions before ordering.** Height Extensions and Adapters come in many different styles and dimensions. SVI is well-known as the adapter expert, specializing in top quality standard and custom adapters. SVI is your answer.

<p><b>1-1/2" PIN OD</b>  <b>BH-7101-01C</b>                  (Ref 82591, 82361 - Base)  <b>Adapter Base and Pad</b></p>  <p>Replacement Pad: BH-7101-00</p>	<p><b>1-1/2" PIN OD</b>  <b>BH-7101-01FC Adapter Base &amp; Pad Assembly</b>                  Replacement Pad: BH-7101-00  <b>Also See BH-7101-01C</b></p>  <p>Also: BH-7101-01F (Ref 82361)  <b>Adapter Base Only - Formed</b>  <b>1-1/2" Diameter Pin (No Pad)</b></p>	<p><b>FOR AMMCO®*, BEN PEARSON, CHALLENGER, MANY</b>  <b>Rectangle Rubber Arm Pad</b>                  (Replaces Ref 82365, 82365-KIT, others)  <b>BH-7101-00 • 1 Pad</b>  <b>BH-7101-00-4 • Kit of 4 Pads with Fasteners</b></p> 
--	---	--

**1-1/2" PIN OD • 2" PIN LENGTH • EXTENSION HEIGHT VARIES (LISTED BELOW)**  
 For ALM, Ammco® Lifts, Ben Pearson, Challenger Lifts, Rotary Lifts, and others  
**Nesting Style Height Extension**

BH-7101-02 (Ref 81693, 27984, 91560)	2-5/8" Extension Height
BH-7090-14	3" Extension Height
BH-7101-04 (Ref 81692)	3-1/2" Extension Height
BH-7090-15	4" Extension Height
BH-7101-03 (Ref 81691, 27982, 91562)	5" Extension Height
BH-7090-16	6" Extension Height
BH-7090-17	7" Extension Height
BH-7500-95 (Ref FJ6145)	Hangar Bracket Rack (without hardware)



**TYPE**  
**GMT**  
 7" Wide Lifting Area

**Specialty Lift Adapters**  
**FOR 2019, 2020 AND NEWER**  
 Chevrolet 1500 Silverado  
 and GMC Sierra Truck Models



Made in the USA



*Call SVI today for specialty adapters specific to your lifting needs.*





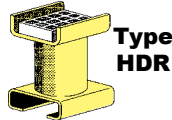
**Height Extensions, Pads and Adapters** See our Height Extension Catalog for more options.

**DIRECTFIT™**  
SVI's DIRECT FIT™ BRAND

**FOR CHALLENGER LIFTS, AMMCO®\* (NEW) & VBM**

**Fixed Slip-On Height Extension with Rectangle Pad**

*Fits over BH-7225-01 Rubber Pad*



**Type HDR**  
Opening Dimensions:  
6-1/8" x 1"

Replacement Pad: BH-7205

- BH-7227-31 • 3" Extension
- BH-7227-32 • 4" Extension
- BH-7227-33 • 5" Extension
- BH-7227-34 • 6" Extension
- BH-7227-35 • 7" Extension
- BH-7227-36 • 8" Extension
- BH-7227-37 • 9" Extension
- BH-7227-38 • 10" Extension
- BH-7227-39 • 11" Extension
- BH-7227-40 • 12" Extension



**Insist on SVI Direct Fit™ brand Products!**

Whether it's standard or custom, SVI is your answer.

**Don't see what you need?**

Contact SVI today!

**800-321-8173**

parts@sviintl.com

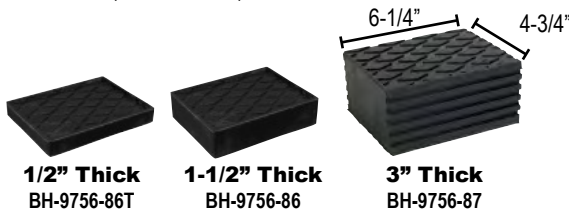
**UNIVERSAL | FOR MANY MAKES & MODELS**

**Rubber Adapter Blocks (Stack Pads) • 4-3/4" x 6-1/4"**

BH-9756-86T (Ref SB700071Y) 1/2" Thick

BH-9756-86 (Ref FJ2427) 1-1/2" Thick

BH-9756-87 (Ref FJ2428x) 3" Thick



**1/2" Thick**  
BH-9756-86T

**1-1/2" Thick**  
BH-9756-86

**3" Thick**  
BH-9756-87

**UNIVERSAL | FOR SPORT CARS!**  
**FOR LOW PROFILE VEHICLE APPLICATIONS**

**Rubber Riser Pad**

SC-8150-25 1 Pad

SC-8150-25-4 Kit of 4 Pads

Use SVI's Rubber Riser Pads to raise low-profile cars up higher from the floor for easier placement of 2-post swing arms



**Features Handle for Easy Placement**



**Outer Arm Adapter with Rubber Pad for Any Lift**

BH-7090-97 • For 3-1/2" Wide Arm

BH-7090-94 • For 4" Wide Arm

BH-7090-98 • For 4-3/4" Wide Arm

BH-7090-95 • For 5" Wide Arm

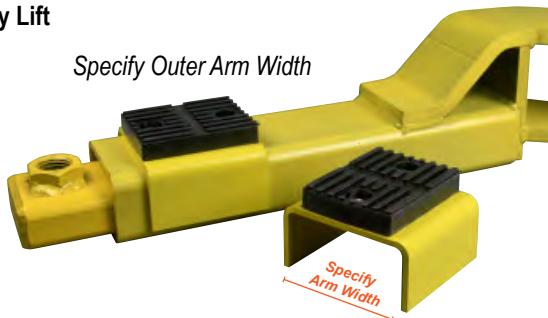
BH-7090-96 • For 6" Wide Arm

*Works well with Toyota GR Supra and Low-Profile Cars*

Replacement Pad: BH-7101-00



*Specify Outer Arm Width*





# Hydraulic Cylinder Seal Kits for Ben Pearson Lifts

**DIRECTFIT™**

SVI's DIRECT FIT™ BRAND

MODEL	ORDER SEAL KIT #	xREF
<b>9000A / 9000S / 9000AI</b>	BH-7116-67 Blue cylinder	95133
<b>9000AI, others</b>	BH-7103-71 Allen Bleeder	95181
<b>ART 5</b>	BH-7100-76 Hex Bleeder	83339
	BH-7100-77 Allen Bleeder	82860
<b>ART 7</b>	BH-7100-76 Hex Bleeder	83339
	BH-7100-77 Allen Bleeder	82860
<b>ARTO 5</b>	BH-7100-76 Hex Bleeder	83339
	BH-7100-77 Allen Bleeder	82860
<b>ARTO 7</b>	BH-7100-76 Hex Bleeder	83339
	BH-7100-77 Allen Bleeder	82860
<b>FAR 12</b>	BH-7100-73A	80078CK
<b>LAS 7</b>	BH-7100-37	81821CK
<b>LAS 9</b>	BH-7115-50	81921CK
<b>LASO 7</b>	BH-7100-37	81821CK
<b>LASO 9</b>	BH-7115-50	81921CK
<b>LMA 12 &amp; LMA 9</b>	BH-7100-73A	80078CK
<b>LMO 7</b>	BH-7100-37	81821CK
<b>LMO 9</b>	BH-7115-50	81921CK
<b>LMP 7</b> Serial # >41833	BH-7100-37	81821CK
	Serial # <41833	BH-7115-51
<b>LMP 9</b> Serial # >41937	BH-7115-50 (2-1/2" Bore)	81921CK
	Serial # <41937	BH-7100-67
<b>LMT 6</b>	BH-7114-22	80608
<b>LMT 9</b> Serial # <22316	BH-7100-83A	80026CK, 80141
	Serial # >22316	BH-7100-73A
<b>LMT 12</b> Serial # <22316	BH-7100-83A	80026CK, 80141
	Serial # >22316	BH-7100-73A
<b>LMT 22</b>	BH-7100-65	80410CK
<b>LTC 9</b>	BH-7103-15	81311CK, 83018
<b>NDF 7 &amp; 9</b>	BH-7100-76 Hex Bleeder	83339
	BH-7100-77 Allen Bleeder	82860
<b>NDL 5500 &amp; 7000</b>	BH-7100-76 Hex Bleeder	83339
	BH-7100-77 Allen Bleeder	82860
<b>NDO 7 &amp; 9</b>	BH-7100-76 Hex Bleeder	83339
	BH-7100-77 Allen Bleeder	82860
<b>QLR 2000</b>	BH-7103-15	81311CK, 83018
<b>SST 12 &amp; 9</b>	BH-7100-73A	80078CK



For Many Models

**Seal Kit for Cylinder 82803**  
For 82803 Massey Ferguson Cylinder with Hex Bleeder  
**BH-7100-76** (Ref 83339)



For Many Models

**Seal Kit for Cylinder 82803**  
For 82803 Holmac Cylinder with Allen Bleeder  
**BH-7100-77** (Ref 82860)



**Seal Kit for Cylinder on 9000A, 9000S, 9000AI**  
For Blue Cylinder  
**BH-7116-67** (Ref 95133)



**Seal Kit for 9000AI Series, HydraTech, others**  
For Allen Bleeder Style; 1-1/2" Rod x 2" Piston  
**BH-7103-71** (Ref 95181)



**Seal Kit for Cylinder on LAS-7, LMP7, LASO7**  
For 2-1/8" Rod x 2-1/2" Bore Cylinder 81821  
**BH-7100-37** (Ref 81821CK, 81821SK)



**Seal Kit for Cylinder on FAR12, LMA12, LMA9, LMT9, LMT12, SST9, SST12, others**  
For 1-1/4" Rod x 3-1/2" Bore Cylinder 80078  
**BH-7100-73A** (Ref 80078CK, 80078SK)

Note: For larger size, see BH-7100-83A



**Seal Kit for Cylinder on LAS9, LASO9, LMP9**  
For Some Versions  
**BH-7115-50** (Ref 81921CK, 81921SK)



**Seal Kit for Cylinder on LMP9**  
For Serial # <41937  
**BH-7100-67** (Ref 80800CK, 80800SK)



For 1-1/2" Rod x 4" Bore Cylinder 80026  
**BH-7100-83A** (Ref 80026CK, 80026SK)  
Note: For smaller size, see BH-7100-73A



## Cable Quick Reference for Ben Pearson Lifts

**DIRECTFIT™**  
SVI's DIRECT FIT™ BRAND

### CABLES FOR 2-POST LIFTS

Also see SVI's Cable Reference Book

Many standard and custom cables available! Don't see your cable? Call today!



SVI Part #	Ref #	O.A.L.	Dia.	Fits Lift Models
BH-7116-72	91040, 91041	34' 9"		2-Post 9000A, 9000S (Column height = 12' 6") Baymaster
BH-7116-73	91362, 91363	32' 9"		2-Post 9000A, 9000S (Column height = 11' 6") Baymaster
BH-7116-64	91231, 91232	28' 4"		2-Post 9000F Baymaster
Call for Details	92026	30' 6-3/4"		2-Post 9000ADJ (9ADJ), 9000ADJ-SA
BH-7116-66A	91626	35' 3-3/8"	5/16"	2-Post 9000ADJ (9ADJ), 9000ADJ-SA (9ADJ-SA), 9000AI-EH1
BH-7116-66	91593	33'	5/16"	2-Post 9000AI
BH-7116-66A	91626	35' 3-3/8"	5/16"	2-Post 9000AI-EH1
BH-7116-66B	91627	37' 3-3/8"	5/16"	2-Post 9000AI-EH2
BH-7116-75				2-Post 9000SA
BH-7116-76	91579	33' 1-1/2"	5/16"	2-Post 9000SI, 9000SA, 10000SA, 10000SI
BH-7116-76A	91624	35' 1-1/2"	5/16"	2-Post 9000SI-EH1, 9000SA-EH1, 10000SA-EH1, 10000SI-EH1
BH-7116-76B	91625	37' 1-1/2"	5/16"	2-Post 9000SI-EH2, 9000SA-EH2, 10000SA-EH2, 10000SI-EH2
BH-7116-01	91730	28' 5"	5/16"	2-Post 9000FC Magnum (Both Ends Threaded)
BH-7116-26	92037	28' 4-1/2"	5/16"	2-Post 9000FC Magnum (1 End Threaded / 1 Stop End)
Call for Details	92001			2-Post 10000SIW (Wide)
Call for Details	92003			2-Post 10000SIW-EH1 (Wide)
Call for Details	92004			2-Post 10000SIW-EH2 (Wide)
BH-7116-71	91267, 91268	38' 2"	5/16"	2-Post 12000S Baymaster
BH-7116-65	91690	38' 1-1/2"		2-Post 12000SI (12SI)
BH-7116-65A	91989			2-Post 12000SI-EH1 (12SI-EH1)
BH-7116-65B	91771	42' 1-1/2"		2-Post 12000SI-EH2 (12SI-EH2)
BH-7100-10	82743, 81920	27' 8-1/2"	9/32"	2-Post ART 5, TPA5,
BH-7100-01	81926	27' 8-1/2"	5/16"	2-Post ART7, LMP9 > 41937, TPA7
BH-7100-01SS	81926-x	27' 8-1/2"	5/16"	2-Post ART7, LMP9 > 41937, TPA7
BH-7100-15	82742	34' 5-1/2"	9/32"	2-Post ART05, TPA05
BH-7100-06	81927	34' 5-1/2"	5/16"	2-Post ART07, TPA07
BH-7100-11	82746	27' 6-7/8"	9/32"	2-Post LAS7 Front (Short)
BH-7100-12	82747	28' 2-1/2"	9/32"	2-Post LAS7 Rear (Long)
BH-7100-02	82274	27' 6-7/8"	5/16"	2-Post LAS9 Front (Short)
BH-7100-03	82275	28' 2-1/2"	5/16"	2-Post LAS9 Rear (Long)
BH-7100-13	82744	33' 8-7/8"	9/32"	2-Post LASO7 (Short)
BH-7100-14	82745	34' 4-1/2"	9/32"	2-Post LASO7 (Long)
BH-7100-04	82270	33' 8-7/8"	5/16"	2-Post LASO9 (Short)
BH-7100-05	82271	34' 4-1/2"	5/16"	2-Post LASO9 (Long)
BH-7102-08	81887	34' 5-1/2"	9/32"	2-Post LMO7
BH-7100-15	82742	34' 5-1/2"	9/32"	2-Post LMO7, ART05, TPA05
BH-7100-06	81927	34' 5-1/2"	5/16"	2-Post LMO9, ART07, TPA07
BH-7100-10	82743, 81920	27' 8-1/2"	9/32"	2-Post LMP7 >41833, ART5, TPA5,
BH-7100-18	80696	26' 2-1/2"	9/32"	2-Post LMP7 <41833, LPS7, LSP7
BH-7100-01	81926	27' 8-1/2"	5/16"	2-Post LMP9 > 41937, ART7, TPA7
BH-7100-01SS	81926-x	27' 8-1/2"	5/16"	2-Post LMP9 > 41937, ART7, TPA7
BH-7100-18	80696	26' 2-1/2"	9/32"	2-Post LPS7, LSP7, LMP7 <41833



# Cable Quick Reference for Ben Pearson Lifts

**DIRECTFIT™**

SVI's DIRECT FIT™ BRAND

**CABLES FOR  
2-POST  
LIFTS**  
*continued*

SVI Cable #	Ref #	O.A.L.	Dia.	Fits Lift Models
BH-7116-79				2-Post MAG12SI
BH-7116-80				2-Post MAG9SA
BH-7100-16	82858	32' 2-5/16"	9/32"	2-Post NDL5500 (NDL 5) (Short), NDL 7000 (NDL 7) (Short)
BH-7100-17	82859	32' 5-9/16"	9/32'	2-Post NDL5500 (NDL 5) (Long), NDL 7000 (NDL 7) (Long)
BH-7100-07	83689	33' 4-11/16"	5/16"	2-Post NDO7, NDO9, AO7, AO9
BH-7100-08	83740	27' 1-5/32"	5/16"	2-Post NDF7, NDF9
BH-7100-10	82743, 81920	27' 8-1/2"	9/32"	2-Post TPA5, ART5, LMP7 >41833
BH-7100-01	81926	27' 8-1/2"	5/16"	2-Post TPA7, ART7, LMP9 > 41937
BH-7100-01SS	81926-x	27' 8-1/2"	5/16"	2-Post TPA7, ART7, LMP9 > 41937
BH-7100-15	82742	34' 5-1/2"	9/32"	2-Post TPAO5, ARTO5, LMO7
BH-7100-06	81927	34' 5-1/2"	5/16"	2-Post TPAO7, ARTO7, LMO9

**CABLES FOR  
4-POST  
LIFTS**  
*Don't see your  
cable? Call today!*

BH-7100-24	81292	30' 0-3/16"	7/16"	4-Post LTC-9 R.F.
BH-7100-25	81291	24' 8-11/16"	7/16"	4-Post LTC-9 L.F.
BH-7100-26	81289	9' 7-29/32"	7/16"	4-Post LTC-9 L.R.
BH-7100-27	81290	14' 10-3/8"	7/16"	4-Post LTC-9 R.R.
BH-7100-28	82458	34' 4-3/8"	7/16"	4-Post QLR-2000 R.F. Fits 5" Sheave
BH-7100-29	82457	29' 4-1/2"	7/16"	4-Post QLR-2000 L.F. Fits 5" Sheave
BH-7100-30	82455	12' 3-3/4"	7/16"	4-Post QLR-2000 L.R. Fits 5" Sheave
BH-7100-31	82456	17' 2-9/16"	7/16"	4-Post QLR-2000 R.R. Fits 5" Sheave
BH-7100-20	84170	35' 2-9/16"	7/16"	4-Post QLR L.F. Fits 8" Sheave, ASL-1
BH-7100-21	84171	30' 4-1/4"	7/16"	4-Post QLR L.F. Fits 8" Sheave, ASL-1
BH-7100-22	84172	18' 2-3/8"	7/16"	4-Post QLR L.R. Fits 8" Sheave, ASL-1
BH-7100-23	84173	13' 1-3/4"	7/16"	4-Post QLR R.R. Fits 8" Sheave, ASL-1

**MANY MORE  
CABLES  
AVAILABLE**

Also see  
SVI's Cable  
Reference Book

*Many standard  
and custom cables  
available!*

BH-7100-38	89034	32" 5-3/8"	5/16"	
BH-7103-29	82272	28' 2-1/2"	5/16"	
BH-7103-30	82273	27' 7"	5/16"	
BH-7103-64	4S21680	17' 3-3/4"	7/16"	
BH-7103-65	4S21679	12' 1-1/2"	7/16"	
BH-7103-66	4S21678	37' 10-1/2"	7/16"	
BH-7103-67	4S21677	32' 9-1/2"	7/16"	
BH-7104-21	4B38019	30' 6-1/2"	1/4"	
BH-7793-48	1-2039	30' 6-1/2"	1/4"	
BH-7806-13	2-1680	17' 4"	7/16"	
BH-7806-12	2-1679	12' 2"	7/16"	
BH-7796-21	2-1678	37' 10-1/2"	7/16"	
BH-7796-12	2-1677	32' 8-1/2"	7/16"	
BH-7105-11	4B36006			
BH-7109-02	4S12039			
BH-7109-04	4S17786			





# SVI's Product Line is Vast

CONTACT US TODAY IF THERE'S SOMETHING YOU CAN'T FIND

800-321-8173 • 815-748-0200 • www.sviinternational.com



## Shims for 3/4" Wedge and Screw Anchors

*Color Coded Shims are In-Stock! Order Today!*

BH-7512-92	Assortment	150 Shims (50 each)
BH-7512-90	1/16" Blue	Pack of 50
BH-7512-91	1/8" Red	Pack of 50
BH-7512-89	1/4" Black	Pack of 50

## HEAVY DUTY PLASTIC SLOTTED SHIMS

Extra-thick shims make it easy to level and align 2- and 4-post surface mount lifts. These rugged plastic shims will not corrode, rot or rust. A must-have for every professional lift installer in the industry.



Installation Kits Available

## Installation Supplies

- Carbide Drill Bits
- Core Bits
- Epoxy and Adhesives
- Wedge Anchors
- Screw Anchors
- Rebar Cutters and Adapter
- Rod Seal Install Tools
- Safety & Inspection Stickers

Many Sizes Available!



**Simpson Carbide Drill Bits** Many Options and Sizes Available!  
 BH-7064Q-12-21 (Drilling Depth 16" / 3/4" dia.) SDS Max Quad Head Bit  
 BH-7065Q-12-23 (Drilling Depth 18" / 3/4" dia.) Spline Shank Quad Head Bit  
 BH-7065Q-12-16 (Drilling Depth 11" / 3/4" dia.) Spline Shank Quad Head Bit



## Wheel / Tire Hanger Kits

Increase Efficiency • For Any Budget



SF-92100  
Set of 2

BH-7545-70K-4 Kit of 4  
 BH-7545-70K Individual  
 Includes Hardware



**Wedge Anchors**  
 Many Sizes Available!  
 BH-7075-03  
 3/4" x 5-1/2"

Ask How to Get  
 Free Shipping on  
 Wedge Anchors!



**Screw Anchors**  
 Many Sizes Available!  
 BH-7075-26  
 1/2" x 4"  
 BH-7075-37  
 3/4" x 5"



**Rod Seal Install Tool Set**  
 BH-7079-01  
 Includes 3 Install Tools  
 to Service 3/4" ID Seals  
 up to 3" ID Seals



**Inspection Stickers**  
 Roll of 250  
 BH-7011-11

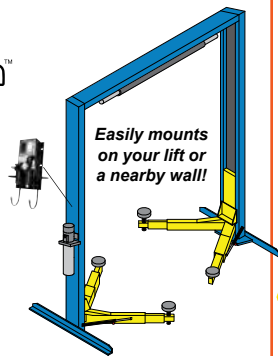
ASK FOR OUR INSTALLATION SUPPLIES CATALOG

## Air / Hydraulic Pumps for Rolling Bridge Jacks

Options Available—Call Today!



**POWER STATION™**  
**AIR / ELECTRIC**  
**UTILITY BOX**  
 4 Colors Available



Easily mounts  
 on your lift or  
 a nearby wall!

## Vehicle Lifts and Lifting Equipment

New Lifts for Cars, Trucks, Buses, Motorcycles, UTVs and More  
 Replacement Cylinders Sections & Kits • Turf Trays for 2-Post Lifts





# SVI's Product Line is Vast

CONTACT US TODAY IF THERE'S SOMETHING YOU CAN'T FIND

800-321-8173 • 815-748-0200 • [www.sviinternational.com](http://www.sviinternational.com)

**INCREASE EFFICIENCY • ELIMINATE COSTLY DAMAGE TO DOORS • REDUCE STRESS OF SHOP TECHNICIANS**

*doorjammer* **PRO**™  
Durable • Impact Resistant

A Must-Have for All 2-Post Lifts!

**Available in 2 Sizes!**

- BH-7077-02-2S    12" tall x 18" wide
- BH-7077-02-2    24" tall x 18" wide

**Prevents Door Dings!**  
Just one damaged door can cost  
**3 times as much** as a simple investment  
in one SVI doorjammerPRO™.



## Auto Lift Cables and Chain Sheaves / Pulleys / Chain Rollers



## TURF AND UTILITY TRAYS

**FOR 2-POST LIFTS**  
SYMMETRIC / ASYMMETRIC

*The #1 Choice for  
Symmetric or Asymmetric  
2-Post Surface Mount Lifts  
and In-Ground  
Side-By-Side, too!*



## Hose Reel Hose Stops

Options Available—Call Today!



## Auto Lift Power Units and Parts

Call SVI today!



## Tire Changer Parts and Accessories

For Most Makes and Models

See our *Tire Changer Repair Parts Catalog!*



## Brake Lathe Repair Parts

For Most Makes and Models

See our *Brake Lathe Repair Parts Catalog!*





**Commonly Requested Parts for Ben Pearson**

**DIRECTFIT™**  
SVI's DIRECT FIT™ BRAND



▲  
**BH-7116-45** (Ref 91584)  
**Arm Restraint Main Gear for Ben Pearson**

**Gear Pictured Left is For Models:**  
9000AI, 9000SI, 9000FC  
Magnum, 9000ADJ,  
9000ADJ-SA, 10000SA,  
10000SI-WIDE, 12000AI,  
12000SI, and others



**Lock Release Cable for 9000AI**  
**BH-7110-28**  
(Ref 91572)



▶  
**BH-7116-40** (Ref 91582)  
**Arm Restraint Engage Gear / Locking Gear for Ben Pearson**

**Gear Pictured Left is For Models:**  
9000AI, 9000SI, 9000FC  
Magnum, 9000ADJ,  
9000ADJ-SA, 10000SA,  
10000SI-WIDE, 12000AI,  
12000SI, and others



**Lock Release Cable for 9000SI**  
**BH-7103-59**  
(Ref 91620)



**Latch Catch**  
**BH-7110-11**  
(Ref 81069)



**3-1/2" OD Steel Cable Sheave for 5/16" Cable**  
**BH-7100-00S**  
(Ref 81924)



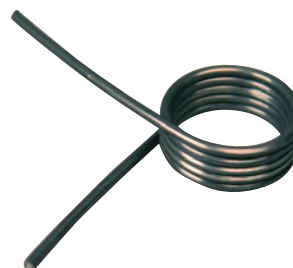
**Latch Catch**  
**BH-7110-12**  
(Ref 81068)



**Slider Block (1)**  
5" X 1.25" X 1.25"  
**BH-7110-01**  
(Ref 82816)  
*Please confirm dimensions*



**Half Moon Gear for Ammco / Ben Pearson and others**  
**BH-7806-31**  
(Ref 1-2618, 1-2044)

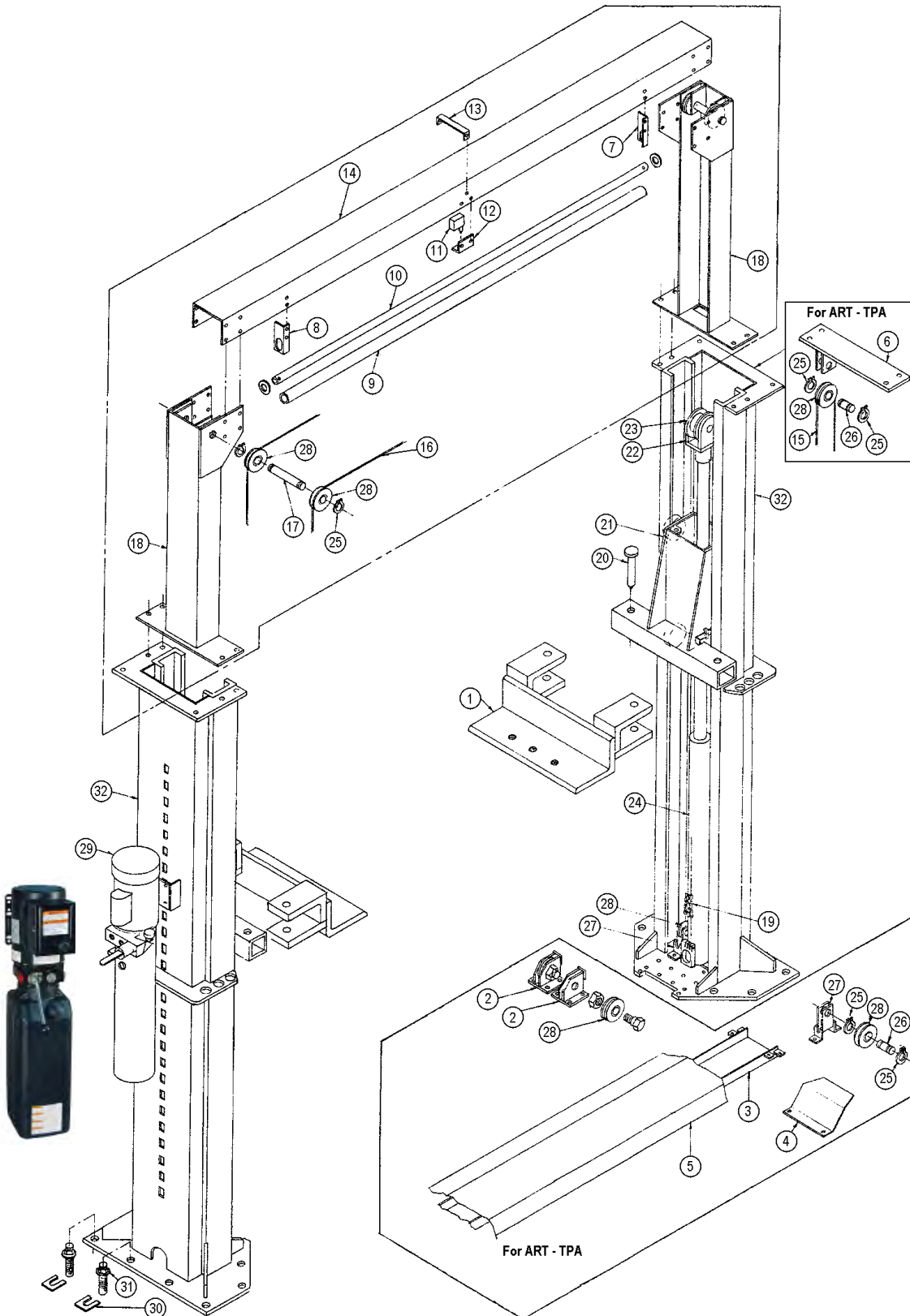


**Safety Latch Spring**  
**BH-7110-13**  
(Ref 81072)



# For Models ART, ARTO, TPA, TPAO

**DIRECTFIT™**  
SVI's DIRECT FIT™ BRAND







# For Models ART, ARTO, TPA, TPAO

**DIRECTFIT™**  
SVI's DIRECT FIT™ BRAND

Item SVI #	OEM #	Req.	Description
1	BH-7111-19	82132	2 Bolster Support Structure
2	BH-7111-18	81940	4 Idler Support Structure, ART TPA
3	BH-7111-17	81945	1 Trough Structure ART, TPA
4	BH-7111-16	81948	2 Cover Bottom Idler ART, TPA
5	BH-7111-15	81947	1 Cover Drive Over ART, TPA
6	BH-7111-14	81917	2 Support Struct Top Idler ART TPA
7	BH-7110-33	81861	1 RH Angle Support ARTO, TPAO
8	BH-7110-40	81860	1 LH Angle Support ARTO, TPAO
9	BH-7110-42	81863	1 Tubing Bumper ARTO, TPAO
10	BH-7110-41	82856	1 Pipe Bumper ARTO, TPAO
<b>11</b>	<b>BH-7004-19</b>	<b>80282</b>	<b>1 Micro Switch ARTO, TPAO</b>
12	BH-7111-13	81864	1 Angle Switch Support ARTO TPAO
13	BH-7111-12	81906	1 Cable Support Strap ARTO TPAO
14	BH-7111-11	81859	1 Channel Cross Over ARTO TPAO
<b>15</b>	<b>BH-7100-10</b>	<b>82743</b>	<b>2 Cable Assembly ART5, TPA5</b>
	<b>BH-7100-01</b>	<b>81926</b>	<b>2 Cable Assembly ART7, TPA7</b>
16	BH-7100-15	82742	2 Cable Assy ARTO5, TPAO5, LMO7
	BH-7100-06	81927	2 Cable Assy ARTO7, TPAO7
17	BH-7111-10	81911	2 Pin Top Idler ARTO, TPAO
18	BH-7111-09	81852	2 Channel Structure ARTO, TPAO

Item SVI #	OEM #	Req.	Description
19	BH-7111-08	81823	2 Chain
20	BH-7101-06	81885	4 Pin
21	BH-7111-07	81824	2 Carriage Assembly
22	BH-7111-06	80675	2 Cylinder End Structure
23	BH-7111-78	82714	2 Roller Assembly
24	BH-7100-61	81821	2 Hydraulic Cylinder All "5" Models
	BH-7100-63	81921	2 Hydraulic Cylinder All "7" Models
25	BH-7100-00C	80864	12 Retaining Ring ART, TPA
	BH-7100-00C	80864	4 Retaining Ring ATO, TPAO
26	BH-7100-00B	81819	6 Sheave Pin ART, TPA
	BH-7100-00B	81819	2 Sheave Pin ARTO, TPAO
27	BH-7111-05	81816	4 Idler Support Struct ART, TPA
	BH-7111-05	81816	2 Idler Support Struct ARTO, TPAO
28	BH-7100-00	81924	10 Cable Sheave ART, TPA
	BH-7100-00	81924	6 Cable Sheave ARTO, TPAO
<b>29</b>	<b>BH-7006-01</b>		<b>1 Power Unit 1PH, 2HP</b>
30	BH-7512-92	80589	1 Shim Kit 150 pcs, 3 sizes
31	BH-7075-03L	80362	16 3/4 x 5-1/2 Wedge Anchor
32	BH-7111-04	82711	2 Post Structure



**Micro Switch for ARTO, TPAO, and many others**  
**BH-7004-19 (Ref 80282)**

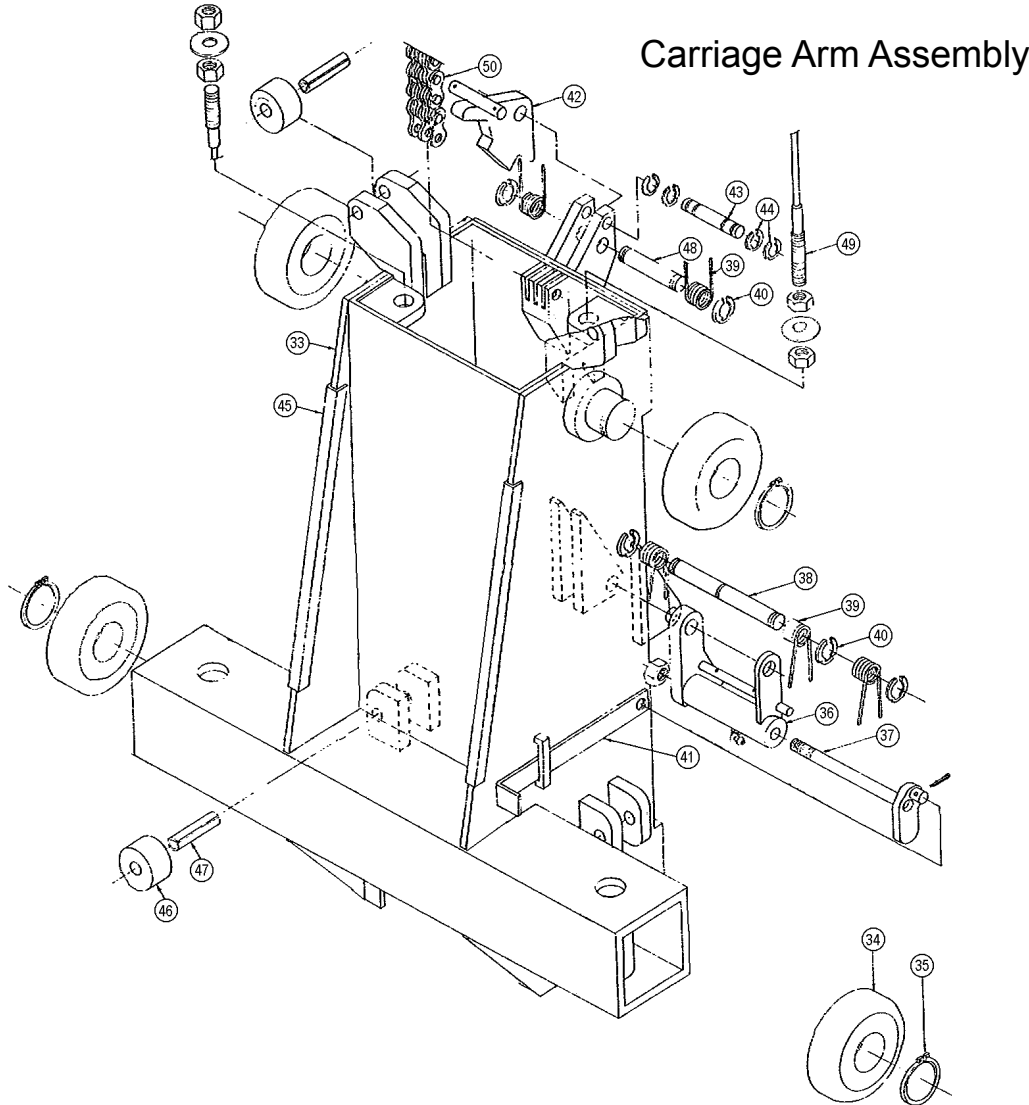


BALTIMORE • CHICAGO • LOS ANGELES

THREE **“READY SHIP”** WAREHOUSE LOCATIONS

# For Models ART, ARTO, TPA, TPAO

**DIRECTFIT™**  
SVI's DIRECT FIT™ BRAND



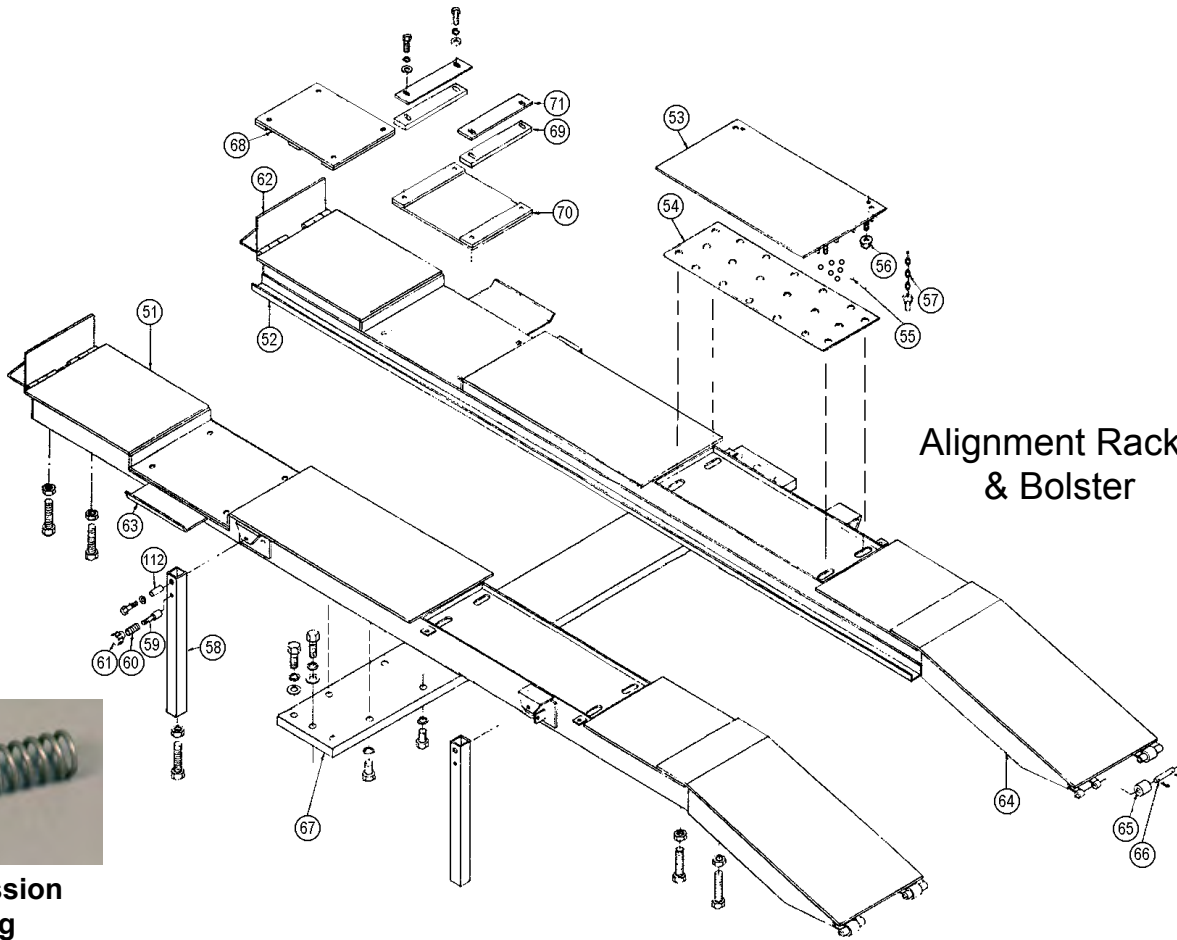
Item SVI #	OEM #	Req.	Description
- BH-7111-07	81824	2	Carriage Assembly (#s 33-48)
33 BH-7111-48	82310	1	Carriage Structure
<b>34 BH-7110-03</b>	<b>81446</b>	<b>4</b>	<b>Carriage Roller</b>
35 BH-7111-49	100089	4	Retaining Ring 1-3/8
36 BH-7102-47	82756	1	Latch Assembly
37 BH-7102-48	81842	1	Cam Structure
38 BH-7111-50	82760	1	Pivot Latch Shaft
39 BH-7100-90	80739	5	Torsion Spring
40 BH-7100-85	80738	5	Retaining Ring 1/2
41 BH-7102-36	81849	1	Lever

Item SVI #	OEM #	Req.	Description
42 BH-7101-24	82171	1	Latch Structure
43 BH-7111-51	82173	1	Latch Pin
44 BH-7100-86	80683	4	Retaining Ring 3/8
45 BH-7111-52	81850	2	Bumper Pad
<b>46 BH-7606-20</b>	<b>80176</b>	<b>4</b>	<b>Carriage Roller Bearing</b>
47 F-RP-437-2000	100302	4	Roll Pin
<b>48 BH-7102-10</b>	<b>80737</b>	<b>1</b>	<b>Shaft</b>
<b>49 BH-7100-01</b>	<b>81926</b>	<b>1</b>	<b>Cable Assembly (Floor)</b>
	<b>BH-7100-06</b>	<b>1</b>	<b>Cable Assembly (Overhead)</b>
50 BH-7111-08	81823	1	Chain



For Models ART, ARTO

**DIRECTFIT™**  
SVI's DIRECT FIT™ BRAND



Alignment Racks & Bolster



Compression Spring

**BH-7101-08**  
(Ref 100290)

Item SVI #	OEM #	Req.	Description
51	BH-7111-20 83313	1	LH Track Structure
52	BH-7111-21 83314	1	RH Track Structure
53	BH-7111-22 83211	2	Cover Structure Slip Plate
54	BH-7107-01 83215	2	Slip Plate Retainer Sheet
55	BH-7107-02 81529	50	Ball Bearing - Retainer
56	F-LN-0500-13 83126	8	1/2-13 Lock Nut
57	BH-7111-24 83243	4	Pin Chain
58	BH-7111-25 83218	4	Leg Structure 30" Long
	BH-7111-26 83277	4	Leg Structure 24" Long
59	BH-7101-07 83221	4	Pull Pin
60	BH-7101-08 100290	4	Compression Spring
61	BH-7101-09 60698	4	Knob
62	BH-7111-27 83460	2	Front Stop & Chock Structure
63	BH-7111-28 83228	2	Plate Stand
64	BH-7111-29 83231	2	Ramp Structure
65	BH-7111-30 83237	4	Roller
66	BH-7111-31 83238	4	Pin Roller
67	BH-7111-32 83279	1	Bolster
112	BH-7101-12 83222	4	Tube Spacer

Item SVI #	OEM #	Req.	Description
-	BH-7111-33 83247	1	Turntable Mounting Pkg Ammco/FMC/Hunter/Bee Line
68	BH-7111-38 83252	2	Spacer Structure / Ammco ...
69	BH-7111-40 83256	4	Adjusting Bar 1/2" / Ammco ...
-	BH-7111-34 83248	1	Turntable Mounting Pkg/Bear
70	BH-7111-39 83257	2	Spacer Structure / Bear
69	BH-7111-41 83259	4	Adjusting Bar 1/2" / Bear
71	BH-7111-42 82360	4	Adjusting Bar 1/8" / Bear
-	BH-7111-35 83249	1	Turntable Mounting Pkg / Bender
69	BH-7111-43 83261	4	Adjusting Bar 1/2" / JH Bender
71	BH-7111-44 83262	4	Adjusting Bar 1/4" / JH Bender
-	BH-7111-36 83250	1	Turntable Mounting Pk/Bishamon
70	BH-7111-39 83257	2	Spacer Structure / Bishamon
71	BH-7111-45 83263	4	Adjusting Bar 1/4" / Bishamon
-	BH-7111-37 83251	1	Turntable Mounting Pkg Snap on
69	BH-7111-46 83264	4	Adjusting Bar 1/2" Snap-On
71	BH-7111-47 83265	4	Adjusting Bar 1/4" Snap-On

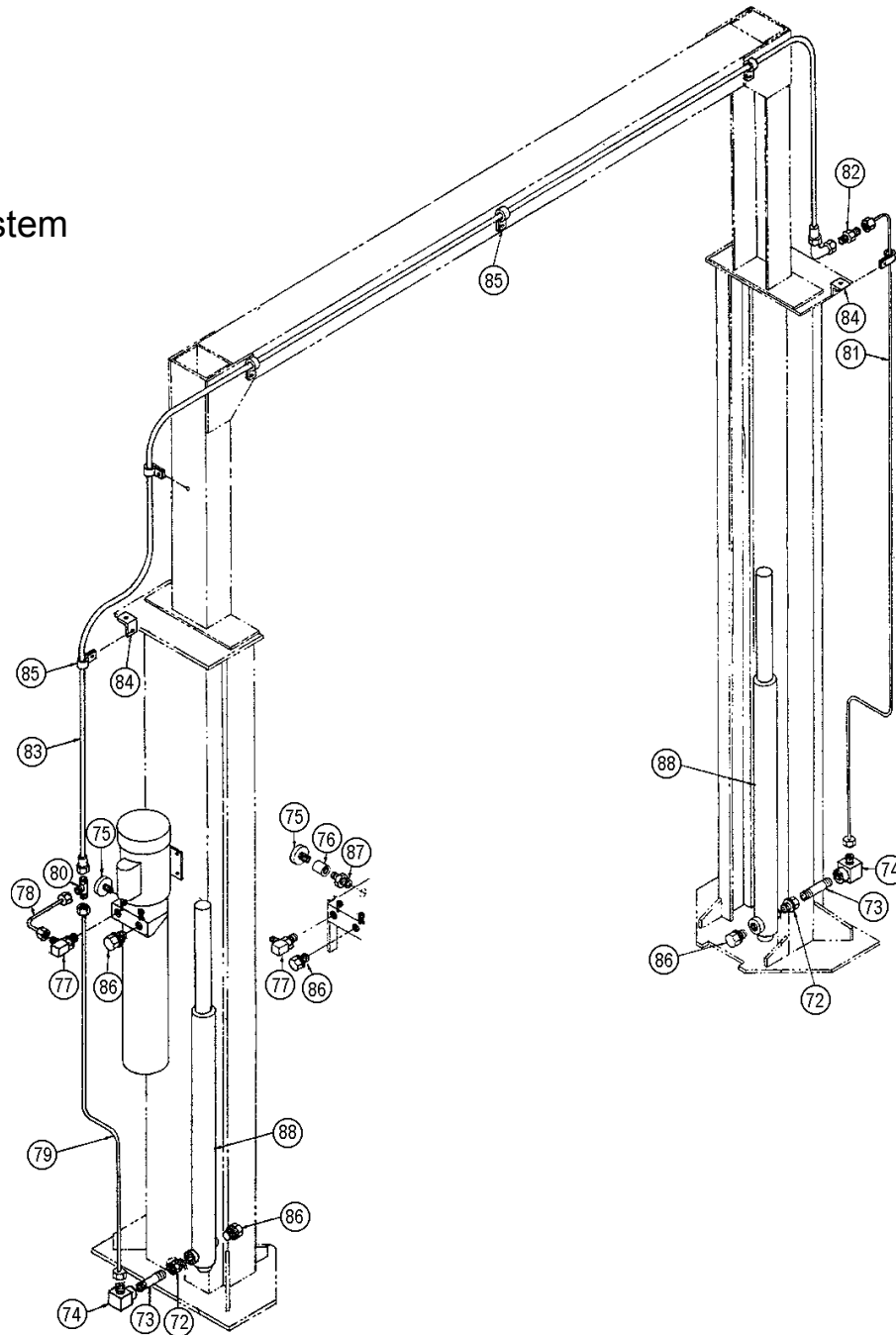
P  
a  
g  
e  
14



# For Models ARTO, TPAO

**DIRECTFIT™**  
SVI's DIRECT FIT™ BRAND

## Hydraulic System



Item SVI #	OEM #	Req.	Description
72	BH-7102-92	80992	2 Female Adapter
73	BH-7111-64	100225	2 Pipe Nipple 1/4 x 5
74	BH-7102-93	100227	2 90° Elbow
75	BH-7101-61	80124	1 Dry Pressure Gauge
76	BH-7111-65	82066	1 Coupling (MTE Only)
77	BH-7110-63	82056	1 90° Male Elbow
78	BH-7111-66	82198	1 Tube Assembly Upper 1/2 OD
79	BH-7111-67	82200	1 Tube Assembly Lower 1/2 OD

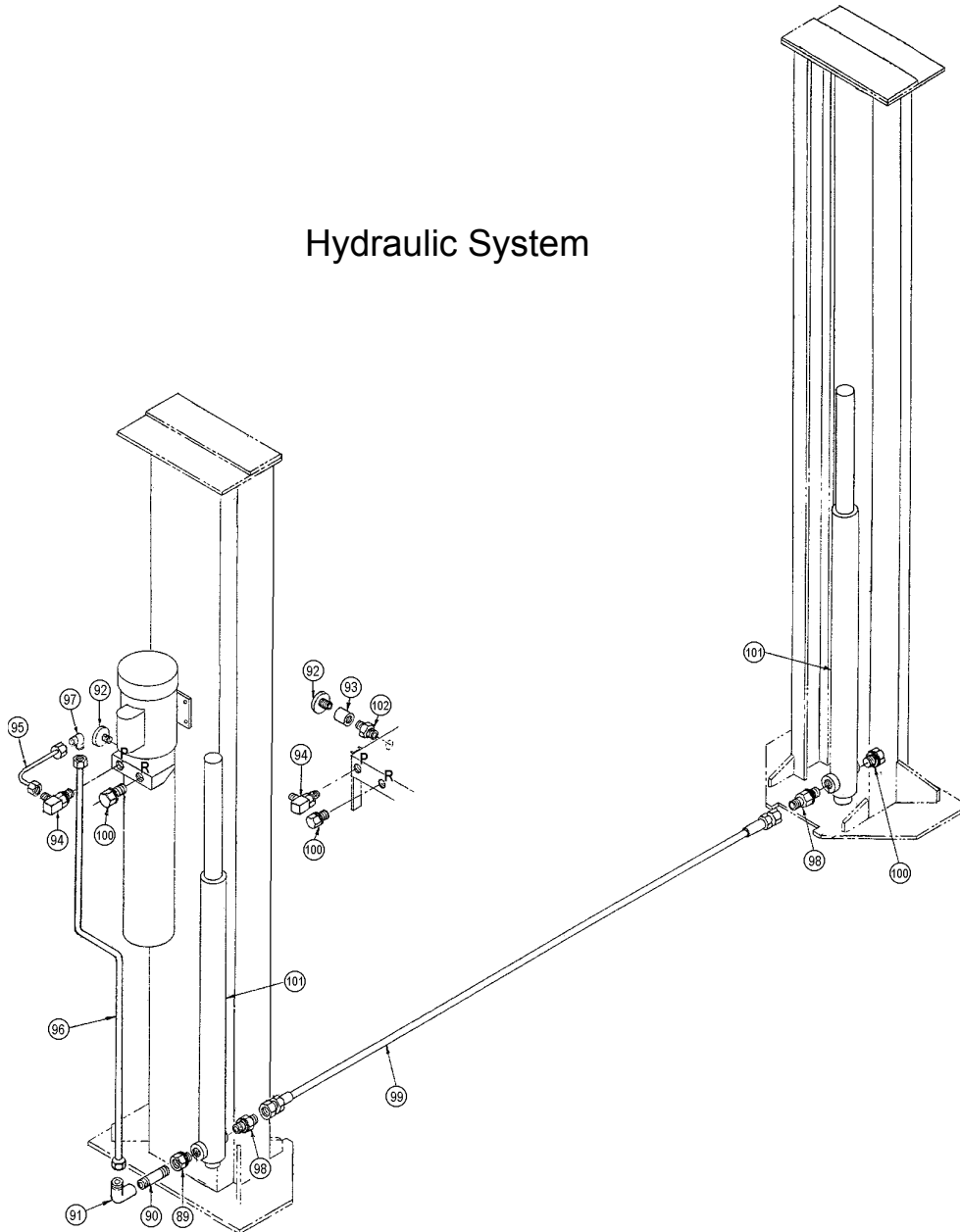
Item SVI #	OEM #	Req.	Description
80	BH-7111-72	100226	1 Union Tee 3/4-16 JIC
81	BH-7111-73	81898	1 Tube Assembly Offside 1/2 OD
82	BH-7111-74	100230	1 Union Connector 3/4-16 JIC
83	BH-7111-75	81900	1 Hose Assembly 3/8 ID x 3/4-16
84	BH-7111-76	81901	2 Hose Clamp Bracket
85	BH-7111-77	61412	6 Hose Clamp
86	BH-7110-66	100026	5 Hex Head Plug
87	BH-7111-71	61496	1 Hex Nipple (MTE Only)
88	BH-7100-63	81921	2 Hydraulic Cylinder



# For Models ART, TPA

**DIRECTFIT™**  
SVI's DIRECT FIT™ BRAND

## Hydraulic System



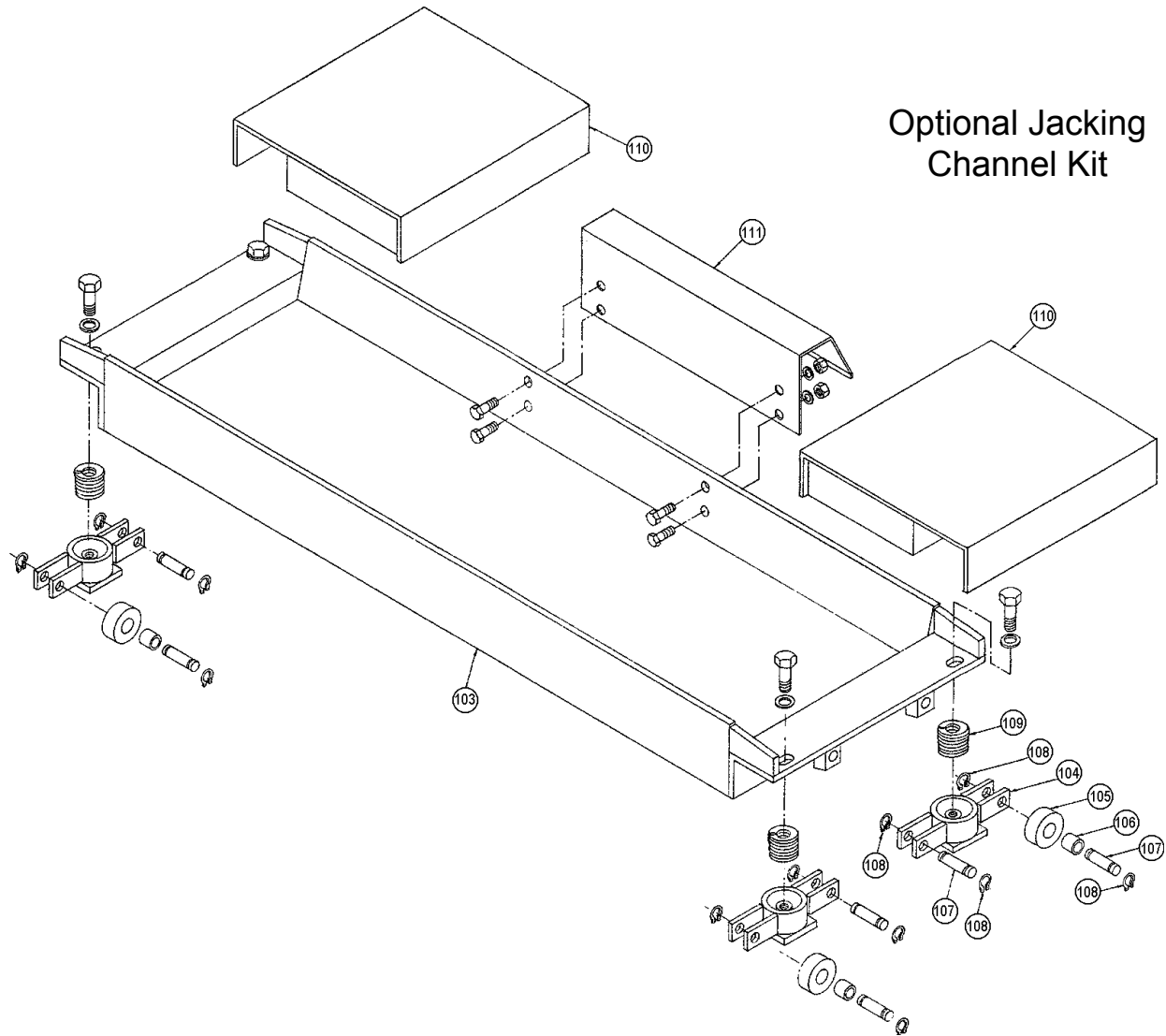
Item SVI #	OEM #	Req.	Description
96	BH-7111-67	82200	1 Tube Assembly Lower 1/2 OD
97	BH-7111-68	81929	1 90° Elbow
98	BH-7111-69	60544	2 Tube Union
99	BH-7111-70	81916	1 Hose Assembly 3/8
100	BH-7110-66	100026	2 Hex Head Plug
101	BH-7100-63	81921	2 Hydraulic Cylinder
102	BH-7111-71	61496	1 Hex Nipple (MTE Only)

Item SVI #	OEM #	Req.	Description
89	BH-7102-92	80992	1 Female Adapter
90	BH-7111-64	100225	1 Pipe Nipple 1/4 x 5
91	BH-7102-93	100227	1 90° Elbow
92	BH-7101-61	80124	1 Dry Pressure Gauge
93	BH-7111-65	82066	1 Coupling (MTE Only)
94	BH-7110-63	82056	1 90° Male Elbow
95	BH-7111-66	82198	1 Tube Assembly Upper 1/2 OD

Page

# For Models ART, ARTO, TPA, TPAO

**DIRECTFIT™**  
SVI's DIRECT FIT™ BRAND



Optional Jacking Channel Kit

ItemSVI #	OEM #	Req.	Description
- BH-7111-53	83472	1	Jacking Channel
<b>One Channel Consists of:</b>			
- BH-7111-54	83473	1	Jacking Channel Assembly
103 BH-7111-55	83413	1	Jacking Channel Structure
104 BH-7111-56	81550	4	Spring Support Structure
105 BH-7111-57	81556	4	Roller

ItemSVI #	OEM #	Req.	Description
106 BH-7111-58	81557	4	Bronze Bushing
107 BH-7111-59	81558	8	Pin
108 BH-7111-60	81559	16	Retaining Ring
109 BH-7111-61	81555	4	Die Spring
110 BH-7111-62	81570	2	Jack Support Structure
111 BH-7111-63	81574	1	Shield

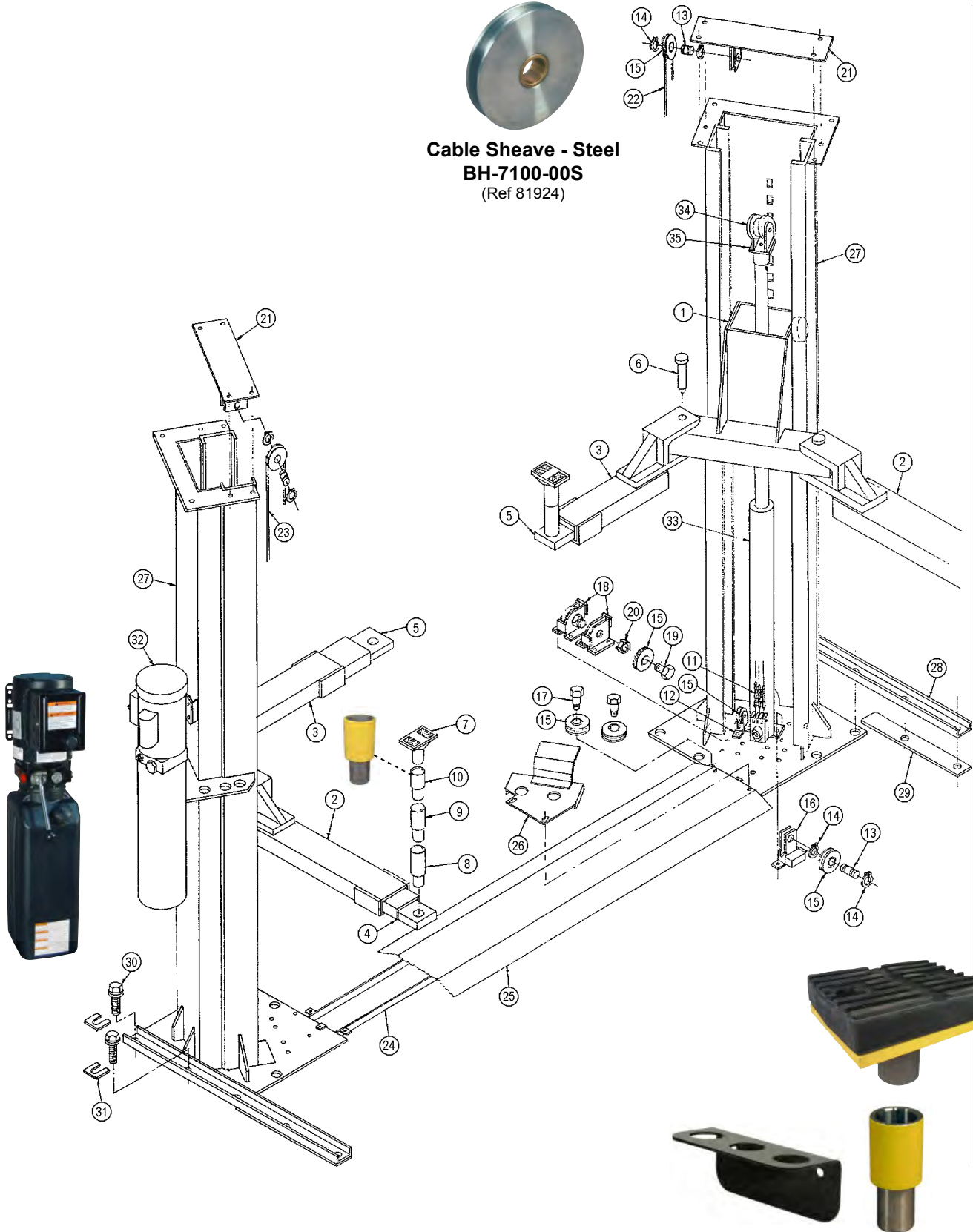


# For Models LAS 7, LAS 9

**DIRECTFIT™**  
SVI's DIRECT FIT™ BRAND



**Cable Sheave - Steel  
BH-7100-00S  
(Ref 81924)**





# For Models LAS 7, LAS 9

**DIRECTFIT™**  
SVI's DIRECT FIT™ BRAND

Item SVI #	OEM #	Req.	Description
1	BH-7111-07	81824	2 Carriage Assembly See Breakdown
2	BH-7115-25	82277	2 Long Lift Arm Structure
3	BH-7115-26	82279	2 Short Lift Arm Structure
4	BH-7115-27	82283	2 Long Arm Extension Structure
5	BH-7115-28	82285	2 Short Arm Extension Structure
6	BH-7101-06	81885	4 Pin
7	BH-7115-34	81690	4 Pad
	<b>BH-7101-01C</b>	<b>82591</b>	<b>4 Adapter Base &amp; Pad Assembly</b>
	BH-7101-00		4 Rubber Pads only
	BH-7101-00-4		4 Rubber Pad Kit (4)
8	<b>BH-7101-03</b>	<b>81691</b>	<b>4 5" Height Extension</b>
9	<b>BH-7101-04</b>	<b>81692</b>	<b>4 3-1/2" Height Extension</b>
10	<b>BH-7101-02</b>	<b>81693</b>	<b>4 2-5/8" Height Extension</b>
11	BH-7111-08	81823	2 Chain
12	BH-7111-05	81816	2 Idler Support Structure
13	BH-7100-00B	81819	6 Idler Pin
14	BH-7100-00C	80864	12 Retaining Ring
15	BH-7100-00	81924	14 Nylon Cable Sheave
or	<b>BH-7100-00S</b>	<b>81924</b>	<b>14 Steel Cable Sheave</b>
16	BH-7115-35	82480	2 Idler Support Structure, Lower
17	BH-7115-36	82276	4 Shoulder Screw
18	BH-7111-18	81940	4 Idler Support Structure, Auxiliary
19	BH-7111-63	81976	4 Shoulder Screw
20	BH-7113-83	81977	4 Nylock Nut
21	BH-7111-14	81917	2 Support Structure Top Idler

Item SVI #	OEM #	Req.	Description
22	<b>BH-7100-11</b>	<b>82746</b>	<b>1 Cable Assembly Short Front LAS 7</b>
22	<b>BH-7100-02</b>	<b>82274</b>	<b>1 Cable Assembly Short Front LAS 9</b>
23	<b>BH-7100-12</b>	<b>82747</b>	<b>1 Cable Assembly Long Rear LAS 7</b>
23	<b>BH-7100-03</b>	<b>82275</b>	<b>1 Cable Assembly Long Rear LAS 9</b>
24	BH-7115-37	82298	1 Trough Structure
25	BH-7115-38	82330	1 Drive Over Cover
26	BH-7115-39	82574	1 Cover Structure RH
*	BH-7115-40	82573	1 Cover Structure LH
27	BH-7115-22	82713	2 Post Structure
28	BH-7115-23	72312	2 Channel Stiffener
29	BH-7115-24	82313	2 Spacer Bar
30	BH-7075-03L	80362	18 3/4 x 5-1/2 Wedge Anchor
31	BH-7512-92	81709	1 Shim Kit 150 pcs, 3 Sizes
32	<b>BH-7006-01</b>		<b>1 Power Unit 1 PH, 2 HP</b>
33	BH-7100-61	81821	2 Hydraulic Cylinder LAS 7
33	BH-7100-63	81921	2 Hydraulic Cylinder LAS 9
-	BH-7100-37	81821CK	1 Seal Kit LAS 7
-	BH-7115-50	81921CK	1 Seal Kit LAS 9
34	BH-7100-51	82714	2 Cylinder Yoke Assembly
35	BH-7111-06	80675	2 Cylinder End Structure
	BH-7101-95	80227	2 Spacer Roller
	BH-7114-60	81822	2 Cylinder End Pin
	BH-7100-00C	80864	4 Retaining Ring



**Cable Sheave - Steel**

**BH-7100-00S**  
(Ref 81924)

## Hydraulic System

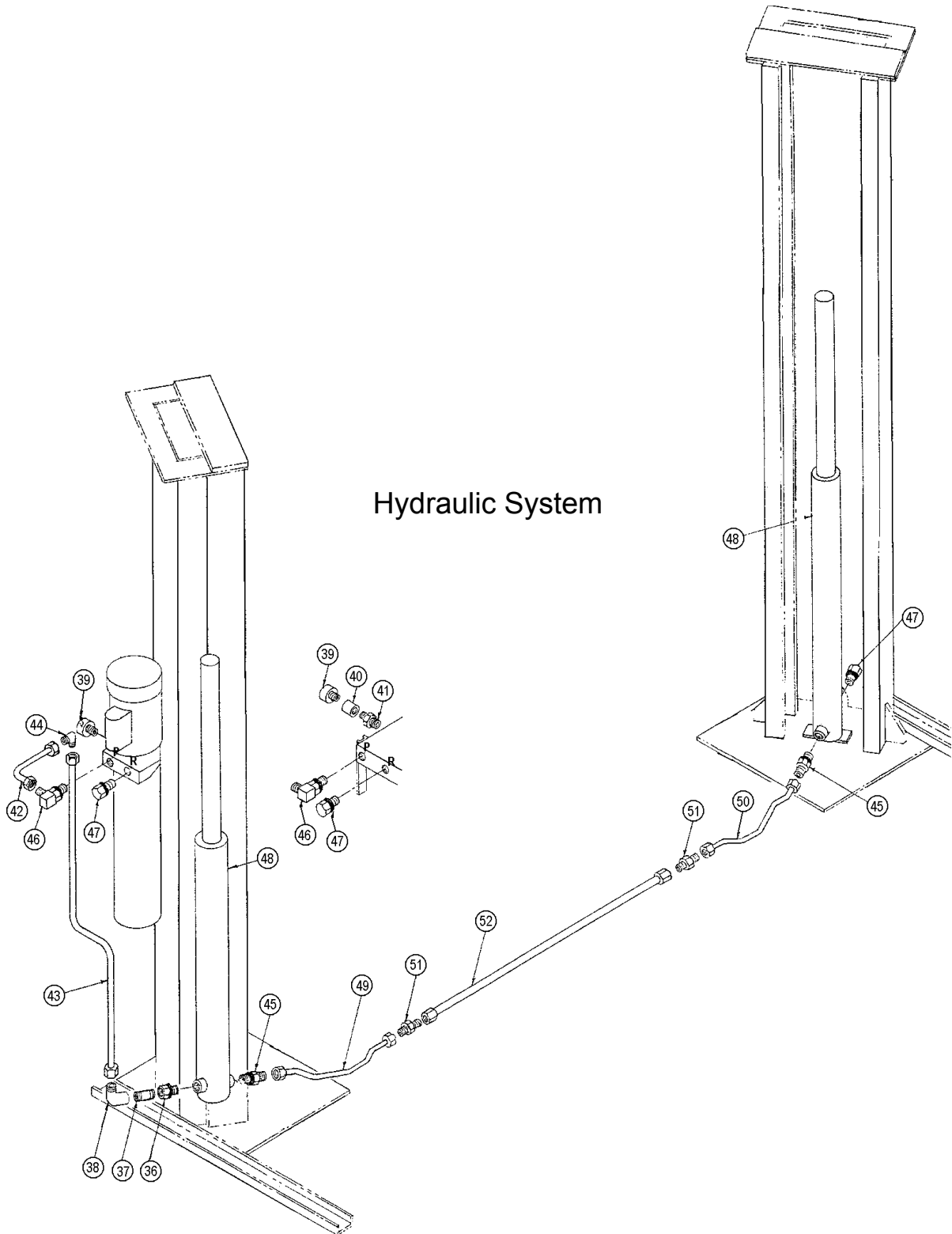
Item SVI #	OEM #	Req.	Description
36	BH-7102-92	80992	1 Female Adapter
37	BH-7111-64	100225	1 Pipe Nipple
38	BH-7102-93	100227	1 90° Elbow
39	BH-7101-61	80124	1 Dry Pressure Gauge
40	BH-7111-65	82066	1 Coupling (MTE Only)
41	BH-7111-71	64196	1 Hex Nipple
42	BH-7111-66	82198	1 Tube Assembly Upper
43	BH-7111-67	82200	1 Tube Assembly
44	BH-7111-68	81929	1 90° Elbow
45	BH-7111-69	60544	2 Tube Union

Item SVI #	OEM #	Req.	Description
46	BH-7110-63	82056	1 90° Elbow
47	BH-7110-66	100026	2 Plug
48	BH-7100-61	81821	1 Hydraulic Cylinder LAS 7
48	BH-7100-63	81921	1 Hydraulic Cylinder LAS 9
49	BH-7115-41	82338	1 LH Tube Assembly
50	BH-7115-42	82339	1 RH Tube Assembly
51	BH-7115-43	81703	2 Tube Union
52	BH-7115-44	82337	1 Hose Assembly
*	BH-7115-45	100289	1 Hex Plug
*	BH-7115-46	80831	2 Cap
* Not Pictured			

P  
a  
g  
e

# For Models LAS 7, LAS 9

**DIRECTFIT™**  
SVI's DIRECT FIT™ BRAND





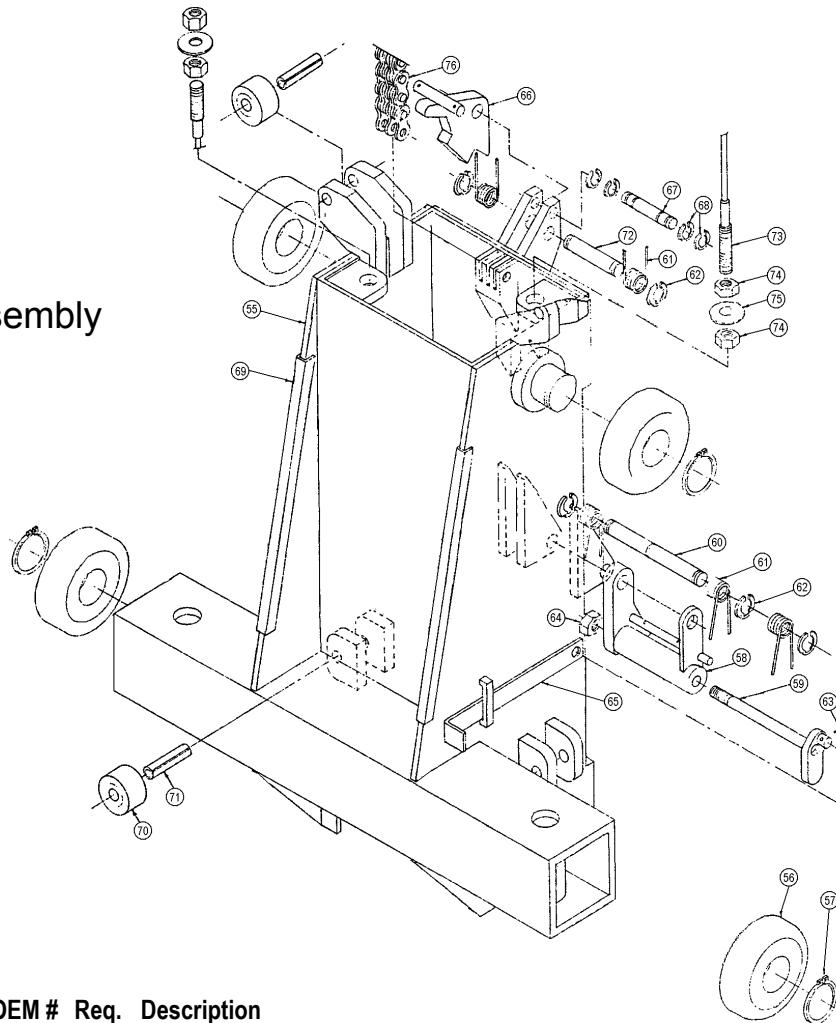


# For Models LASO 7, LASO 9, LAS 7, LAS 9

**DIRECTFIT™**

SVI's DIRECT FIT™ BRAND

## Carriage Assembly



ItemSVI #	OEM #	Req.	Description
- BH-7111-07	81824	2	Carriage Assembly Consists of # 55-72
55 BH-7111-48	82310	1	Carriage Structure
<b>56 BH-7110-03</b>	<b>81446</b>	<b>4</b>	<b>Carriage Roller</b>
57 BH-7111-49	100089	4	Retaining Ring
58 BH-7102-20	82756	1	Latch Assembly
59 BH-7102-48	81842	1	Cam Structure
60 BH-7111-50	82760	1	Pivot Latch Shaft
61 BH-7100-90	80739	5	Torsion Spring
62 BH-7100-85	80738	5	Retaining Ring
63 F-CP-093-1000100233		1	Cotter Pin
64 F-NL-0375-16	81082	1	Nylock Nut
65 BH-7102-36	81849	1	Cam Lever
66 BH-7101-24	82171	1	Latch Structure
67 BH-7111-51	82173	1	Latch Pin
68 BH-7100-86	80683	4	Retaining Ring
69 BH-7111-52	81850	2	Bumper Pad
70 BH-7606-20	80176	4	Carriage Roller Bearing

ItemSVI #	OEM #	Req.	Description
71 F-RP-437-2000	100302	4	Roll Pin
<b>72 BH-7102-10</b>	<b>80737</b>	<b>1</b>	<b>Shaft</b>
For Two Carriages			
<b>73 BH-7100-13</b>	<b>82744</b>	<b>1</b>	<b>Cable Assembly Short LASO 7</b>
<b>73 BH-7100-04</b>	<b>82270</b>	<b>1</b>	<b>Cable Assembly Short LASO 9</b>
<b>73 BH-7100-14</b>	<b>82745</b>	<b>1</b>	<b>Cable Assembly Long LASO 7</b>
<b>73 BH-7100-05</b>	<b>82271</b>	<b>1</b>	<b>Cable Assembly Long LASO 9</b>
<b>73 BH-7100-11</b>	<b>82746</b>	<b>1</b>	<b>Cable Assembly Short LAS 7</b>
<b>73 BH-7100-02</b>	<b>82274</b>	<b>1</b>	<b>Cable Assembly Short LAS 9</b>
<b>73 BH-7100-12</b>	<b>82747</b>	<b>1</b>	<b>Cable Assembly Long LAS 7</b>
<b>73 BH-7100-03</b>	<b>82275</b>	<b>1</b>	<b>Cable Assembly Long LAS 9</b>
74 BH-7110-54	100157	8	Hex Nut LAS 7 & LASO 7
74 BH-7110-70	100073	8	Hex Nut LAS 9 & LASO 9
75 BH-7112-29	100141	8	Flat Washer
76 BH-7111-08	81823	2	Chain



# For Models LASO 7, LASO 9

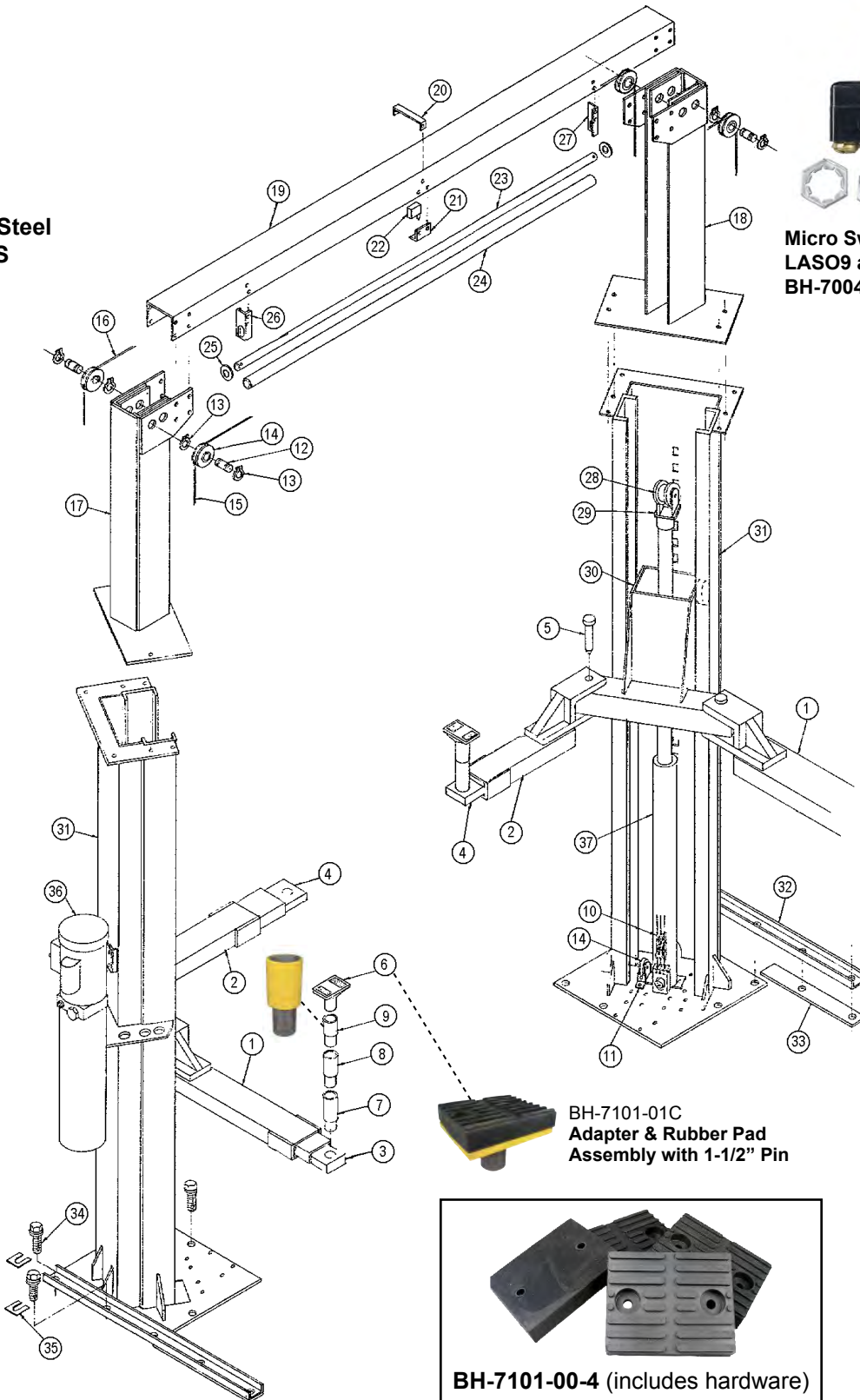
**DIRECTFIT™**  
SVI's DIRECT FIT™ BRAND



**Cable Sheave - Steel**  
**BH-7100-00S**  
(Ref 81924)



**Micro Switch for LASO 7,  
LASO9 and many others**  
**BH-7004-19** (Ref 80282)



**BH-7101-01C**  
**Adapter & Rubber Pad**  
**Assembly with 1-1/2" Pin**



**BH-7101-00-4** (includes hardware)

P  
a  
g  
e

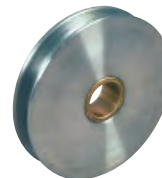


# For Models LASO 7, LASO 9

**DIRECTFIT™**  
SVI's DIRECT FIT™ BRAND

Item SVI #	OEM #	Req.	Description
1	BH-7115-25 82277	2	Long Lift Arm Structure
2	BH-7115-26 82279	2	Short Lift Arm Structure
3	BH-7115-27 82283	2	Arm Extension Structure Long
4	BH-7115-28 82285	2	Arm Extension Structure Short
5	BH-7101-06 81885	4	Pin Structure
<b>6</b>	<b>BH-7101-01C 82591</b>	<b>4</b>	<b>Adapter Base &amp; Pad Assembly</b>
	<b>BH-7101-00</b>	<b>4</b>	<b>Rubber Pads only</b>
	<b>BH-7101-00-4</b>	<b>4</b>	<b>Rubber Pad Kit (4)</b>
<b>7</b>	<b>BH-7101-03 81691</b>	<b>4</b>	<b>5" Height Adapter</b>
<b>8</b>	<b>BH-7101-04 81692</b>	<b>4</b>	<b>3-1/2" Height Adapter</b>
<b>9</b>	<b>BH-7101-02 81693</b>	<b>4</b>	<b>2-5/8" Height Adapter</b>
10	BH-7111-08 82823	2	Chain
11	BH-7111-05 81816	2	Idler Support Structure
12	BH-7100-00B 81819	6	Idler Pin
13	BH-7100-00C 80864	12	Retaining Ring
14	BH-7100-00 81924	6	Nylon Cable Sheave
or	<b>BH-7100-00S 81924</b>	<b>6</b>	<b>Steel Cable Sheave</b>
15	BH-7100-14 82745	1	Long Cable Assembly LASO 7
15	BH-7100-05 82271	1	Long Cable Assembly LASO 9
16	BH-7100-13 82744	1	Short Cable Assembly LASO 7
16	BH-7100-04 82270	1	Short Cable Assembly LASO 9
17	BH-7115-29 82259	1	Channel Structure Post Ext LH
18	BH-7115-30 82260	1	Channel Structure Post Ext RH
19	BH-7115-31 82267	1	Cross Over Channel
20	BH-7115-32 82297	1	Cable Support Strap
21	BH-7111-13 81864	1	Switch Support Angle

Item SVI #	OEM #	Req.	Description
<b>22</b>	<b>BH-7004-19 80282</b>	<b>1</b>	<b>Micro Switch</b>
	BH-7113-69 81910	1	Cover Switch
23	BH-7115-33 81862	1	Pipe Bumper
24	BH-7110-42 81863	1	Tubing Bumper
25	BH-7113-67 100224	2	Flat Washer
26	BH-7110-40 81860	1	Angle Support LH
27	BH-7110-33 81861	1	Angle Support RH
28	BH-7100-51 82714	2	Cylinder Roller Assembly
29	BH-7111-06 80675	2	Cylinder End Structure
	BH-7101-95 80227	2	Roller Spacer
	BH-7114-60 81822	2	Cylinder End Pin
	BH-7100-00C 80864	4	Retaining Ring
30	BH-7111-07 81824	2	Carriage Assy (See Breakdown)
31	BH-7115-22 82713	2	Post Structure
32	BH-7115-23 82312	2	Channel Stiffener
33	BH-7115-24 82313	2	Spacer Bar
34	BH-7075-03L 80362	18	3/4 x 5-1/2" Wedge Anchors
35	BH-7512-92 81709	1	Shim Kit 150 pcs, 3 Sizes
<b>36</b>	<b>BH-7006-01</b>	<b>1</b>	<b>Power Unit 1 PH, 2 HP</b>
37	BH-7100-61 81821	2	Hydraulic Cylinder LASO 7
37	BH-7100-63 81921	2	Hydraulic Cylinder LASO 9
-	BH-7100-37 81821CK	1	Seal Kit LASO 7
-	BH-7115-50 81921CK	1	Seal Kit LASO 9



**Cable Sheave - Steel**

**BH-7100-00S**  
(Ref 81924)

## Hydraulic System

Item SVI #	OEM #	Req.	Description
38	BH-7102-92 80992	2	Female Adapter
39	BH-7111-64 100225	2	Pipe Nipple
40	BH-7102-93 100227	2	90° Elbow
41	BH-7101-61 80124	1	Dry Pressure Gauge
42	BH-7111-65 82066	1	Coupling (MTE)
43	BH-7110-63 82056	1	90° Male Elbow
44	BH-7111-66 82198	1	Tube Assembly Short
45	BH-7111-67 82200	1	Tube Assembly Lower
46	BH-7111-72 100226	1	Union Tee

Item SVI #	OEM #	Req.	Description
47	BH-7111-73 81898	1	Tube Assembly Offside
48	BH-7111-74 100230	1	Union Connector
49	BH-7111-75 81900	1	Hose Assembly
50	BH-7111-76 81901	2	Hose Clamp Bracket
51	BH-7111-77 61412	6	Hose Clamp
52	BH-7110-66 100026	3	Hex Head Plug
53	BH-7111-71 61496	1	Hex Nipple (MTE)
54	BH-7100-61 81821	2	Hydraulic Cylinder LASO 7
54	BH-7100-63 81921	2	Hydraulic Cylinder LASO 9
-	BH-7100-37 81821CK	1	Seal Kit LASO 7
-	BH-7115-50 81921CK	1	Seal Kit LASO 9

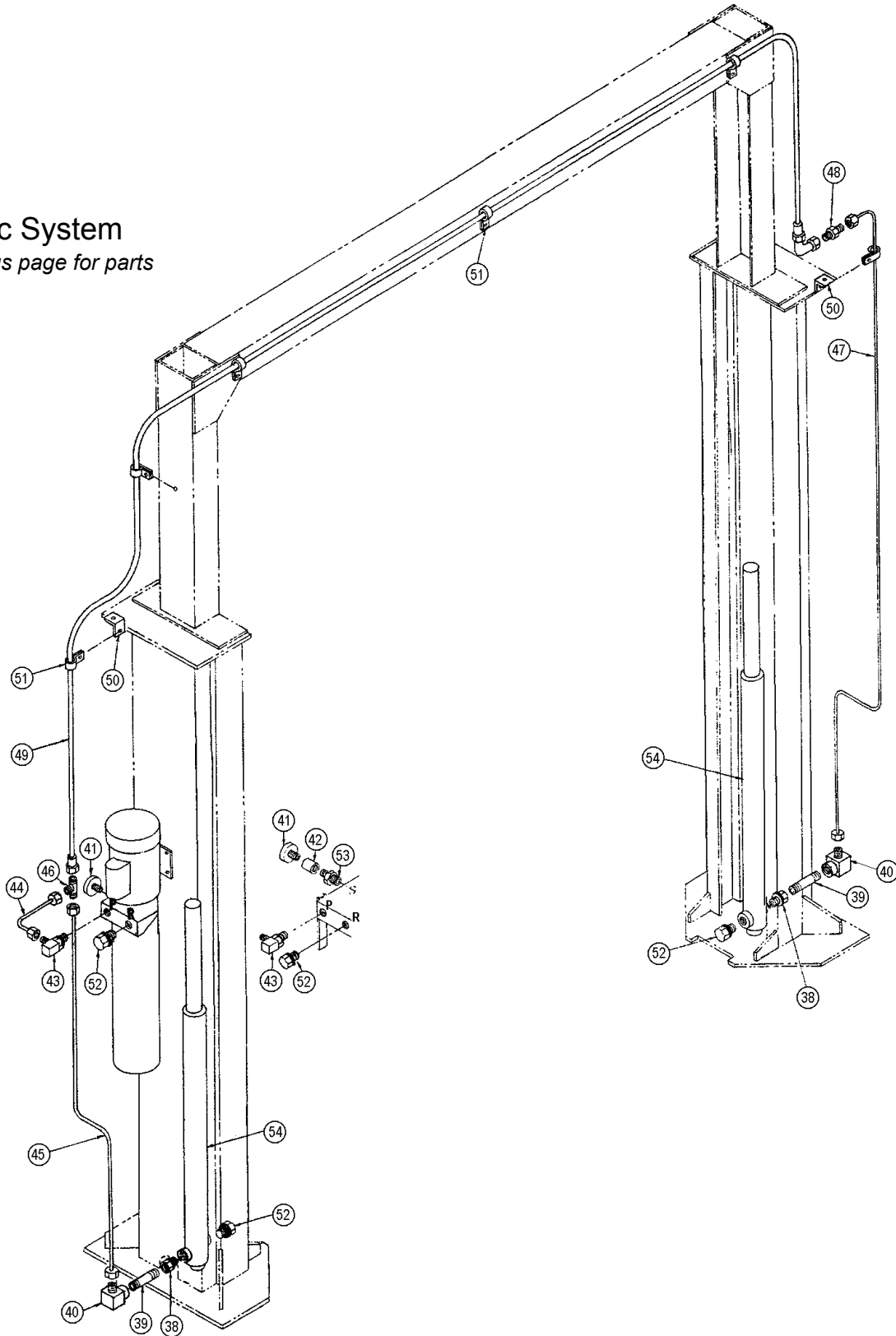
P  
a  
g  
e

# For Models LASO 7, LASO 9

**DIRECTFIT™**  
SVI's DIRECT FIT™ BRAND

## Hydraulic System

See previous page for parts







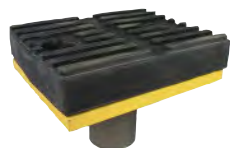


For Models **LMO 7, LMO 9, LMP 7, LMP 9**

**DIRECTFIT™**  
SVI's DIRECT FIT™ BRAND

Item SVI #	OEM #	Req.	Description
1	BH-7111-08	81823	2 Chain
2	BH-7111-09	81852	2 Channel Structure Post Ext
3	BH-7111-10	81911	2 Top Idler Pin LMO 7 & 9
3	BH-7100-00B	81819	2 Top Idler Pin LMP 7 & 9
4	BH-7100-00C	80864	4 Retaining Ring
5	BH-7111-11	81859	1 Cross Over Channel
6	BH-7111-12	81906	1 Cable Support Strap
7	BH-7111-13	81864	1 Switch Support Angle
<b>8</b>	<b>BH-7004-19</b>	<b>80282</b>	<b>1 Micro Switch</b>
-	BH-7111-69	81910	1 Cover Switch
9	BH-7110-41	82856	1 Pipe Bumper
10	BH-7110-42	81863	1 Tubing Bumper
11	BH-7113-67	100224	2 Flat Washer
12	BH-7110-40	81860	1 Angle Support LH
13	BH-7110-33	81861	1 Angle Support TH
<b>14</b>	<b>BH-7100-15</b>	<b>82742</b>	<b>2 Cable Assembly LMO 7</b>
<b>14</b>	<b>BH-7100-06</b>	<b>81927</b>	<b>2 Cable Assembly LMO 9</b>
<b>14</b>	<b>BH-7100-10</b>	<b>82743</b>	<b>2 Cable Assembly LMP 7</b> <b>Serial # &gt; 41833</b>
<b>14</b>	<b>BH-7100-18</b>	<b>80696</b>	<b>2 Cable Assembly LMP 7</b> <b>Serial # &lt; 41833</b>
<b>14</b>	<b>BH-7100-01</b>	<b>81926</b>	<b>2 Cable Assembly LMP 9</b> <b>Serial # &gt; 41937</b>
--	Call for details	80254	Chain for LMP 9 (not shown) Serial # < 41937
15	BH-7111-14	81917	2 Top Idler Support Str. LMP7 & 9
16	BH-7111-17	81945	1 Trough Structure LMP 7 & 9
17	BH-7111-15	81947	1 Cover Drive Over LMP 7 & 9
18	BH-7111-16	81948	2 Cover Bottom Idler LMP 7 & 9
19	BH-7111-18	81940	4 Idler Support Str Lower Aux LMP 7&9
20	BH-7114-63	81976	4 Shoulder Screw LMP 7 & 9
21	BH-7113-83	81977	4 Nylock Nut LMP 7 & 9
22	BH-7075-03L	80362	16 3/4 x 5-1/2 Wedge Anchors
23	BH-7512-92	80589	1 Shim Kit 150 pcs, 3 Sizes
<b>24</b>	<b>BH-7006-01</b>		<b>1 Power Unit 1PH, 2 HP</b>

Item SVI #	OEM #	Req.	Description
25	BH-7100-00	81924	6 Nylon Cable Sheave LMO 7 & 9
<b>or BH-7100-00S</b>	<b>81924</b>	<b>6</b>	<b>Steel Cable Sheave LMO 7 &amp; 9</b>
25	BH-7100-00	81924	10 Nylon Cable Sheave LMP 7 & 9
<b>or BH-7100-00S</b>	<b>81924</b>	<b>10</b>	<b>Steel Cable Sheave LMP 7 &amp; 9</b>
26a	BH-7111-05	81816	2 Idler Support Str. LMO 7 & 9
26a	BH-7111-05	81816	4 Idler Support Str. LMP 7 & 9
26b	BH-7100-00B	81819	2 Idler Pin LMO 7 & 9
26b	BH-7100-00B	81819	6 Idler Pin LMP 7 & 9
26c	BH-7100-00C	80864	4 Retaining Ring LMO 7 & 9
26c	BH-7100-00C	80864	12 Retaining Ring LMP 7 & 9
27	BH-7100-61	81821	2 Hydraulic Cylinder LMO 7, LMP 7
27	BH-7100-63	81921	2 Hydraulic Cylinder LMO 9, LMP 9
-	<b>BH-7100-37</b>	<b>81821CK</b>	<b>1 Seal Kit LMO 7</b>
-	<b>BH-7115-50</b>	<b>81921CK</b>	<b>1 Seal Kit LMO 9 and LMP 9</b>
-	<b>BH-7100-37</b>	<b>81821CK</b>	<b>1 Seal Kit LMP 7 &gt;41833</b>
-	<b>BH-7115-51</b>	<b>80674CK</b>	<b>1 Seal Kit LMP 7 &lt;41833</b>
-	<b>BH-7100-37</b>	<b>81821CK</b>	<b>1 Seal Kit LMP 9 &gt;41937</b>
-	<b>BH-7100-67</b>	<b>80800CK</b>	<b>1 Seal Kit LMP 9 &lt;41937</b>
28	BH-7100-51	84168	2 Cylinder Yoke Assembly
29	BH-7111-06	80675	2 Cylinder End Structure
	BH-7101-95	80227	2 Spacer Roller
	BH-7114-60	81822	2 Cylinder End Pin
	BH-7100-00C	80864	4 Retaining Ring
30	BH-7111-07	81824	2 Carriage Assembly
31	BH-7114-61	82301	4 Lift Arm Structure
32	BH-7114-62	82304	4 Arm Extension Structure
33	BH-7101-06	81885	4 Pin Structure
34	BH-7113-07	100010	4 Hex Screw
<b>35</b>	<b>BH-7101-01C</b>	<b>82591</b>	<b>4 Adapter Base &amp; Pad Assembly</b>
36	BH-7101-01	82361	1 Steel Adapter
<b>37</b>	<b>BH-7101-00</b>	<b>82365</b>	<b>1 Rubber Arm Pad</b>
<b>38</b>	<b>BH-7101-03</b>	<b>81691</b>	<b>4 5" Height Adapter</b>
<b>39</b>	<b>BH-7101-04</b>	<b>81692</b>	<b>4 3-1/2" Height Adapter</b>
<b>40</b>	<b>BH-7101-02</b>	<b>81693</b>	<b>4 2-5/8" Height Adapter</b>
41	BH-7111-04	82711	2 Post Structure



**Adapter & Rubber Pad Assembly with 1-1/2" Pin**

**BH-7101-01C**  
(Ref 82591, 82361 - Base)

SVI offers a large variety of height extensions and adapters like this:

**BH-7101-02** (Ref 81693)  
**2-5/8" Nesting Style Height Extension Adapter**

Other heights available.

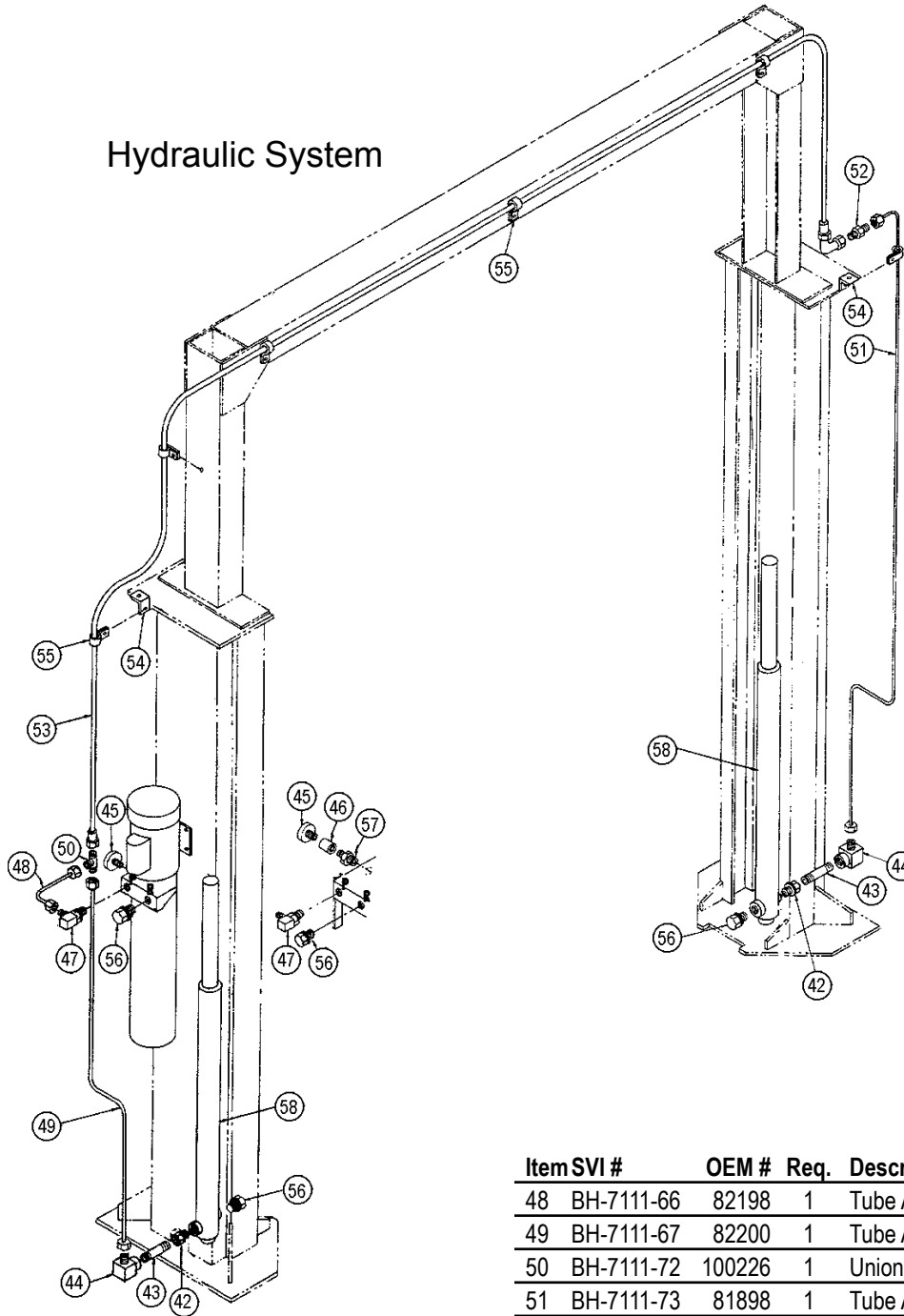
For Height Extension Bracket, Ask for BH-7500-95



# For Models LMO 7, LMO 9

**DIRECTFIT™**  
SVI's DIRECT FIT™ BRAND

## Hydraulic System



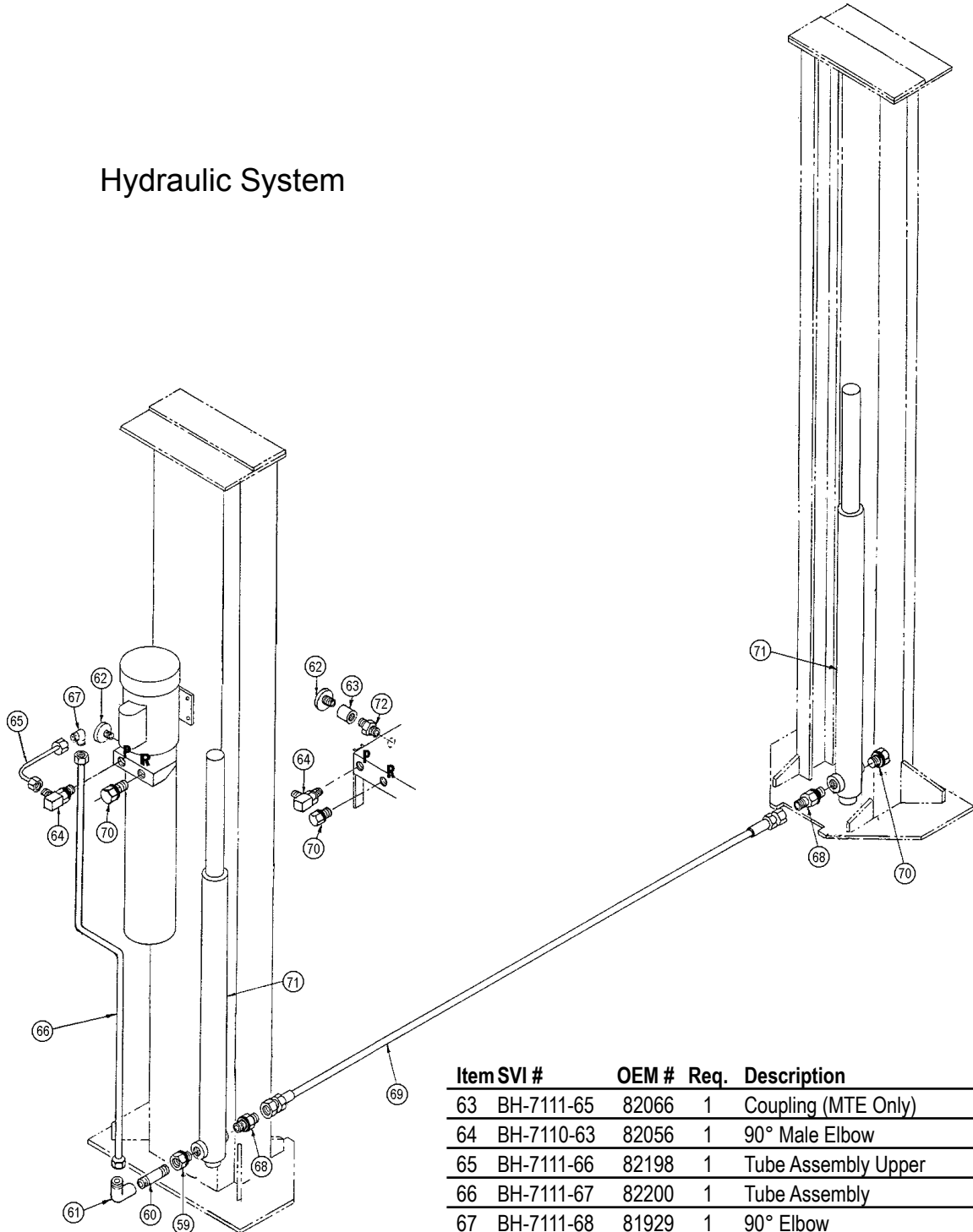
Item SVI #	OEM #	Req.	Description
42	BH-7102-92	80992	2 Female Adapter
43	BH-7111-64	100225	2 Pipe Nipple
44	BH-7102-93	100227	2 90° Elbow
45	BH-7101-61	80124	1 Dry Pressure Gauge
46	BH-7111-65	82066	1 Coupling (MTE Only)
47	BH-7110-63	82056	1 90° Male Elbow

Item SVI #	OEM #	Req.	Description
48	BH-7111-66	82198	1 Tube Assembly Short
49	BH-7111-67	82200	1 Tube Assembly Lower
50	BH-7111-72	100226	1 Union Tee
51	BH-7111-73	81898	1 Tube Assembly Offside
52	BH-7111-74	100230	1 Union Connector
53	BH-7111-75	81900	1 Hose Assembly
54	BH-7111-76	81901	2 Hose Clamp Bracket
55	BH-7111-77	61412	6 Hose Clamp
56	BH-7110-66	100026	3 Hex Head Plug
57	BH-7111-71	61496	1 Hex Nipple
58	BH-7100-61	81821	2 Hydraulic Cylinder LMO 7
58	BH-7100-63	81921	2 Hydraulic Cylinder LMO 9

# For Models LMP 7, LMP 9

**DIRECTFIT™**  
SVI's DIRECT FIT™ BRAND

## Hydraulic System



Item SVI #	OEM #	Req.	Description
59	BH-7102-92	80992	1 Female Adapter
60	BH-7111-64	100225	1 Pipe Nipple
61	BH-7102-93	100227	1 90° Elbow
62	BH-7101-61	80124	1 Dry Pressure Gauge

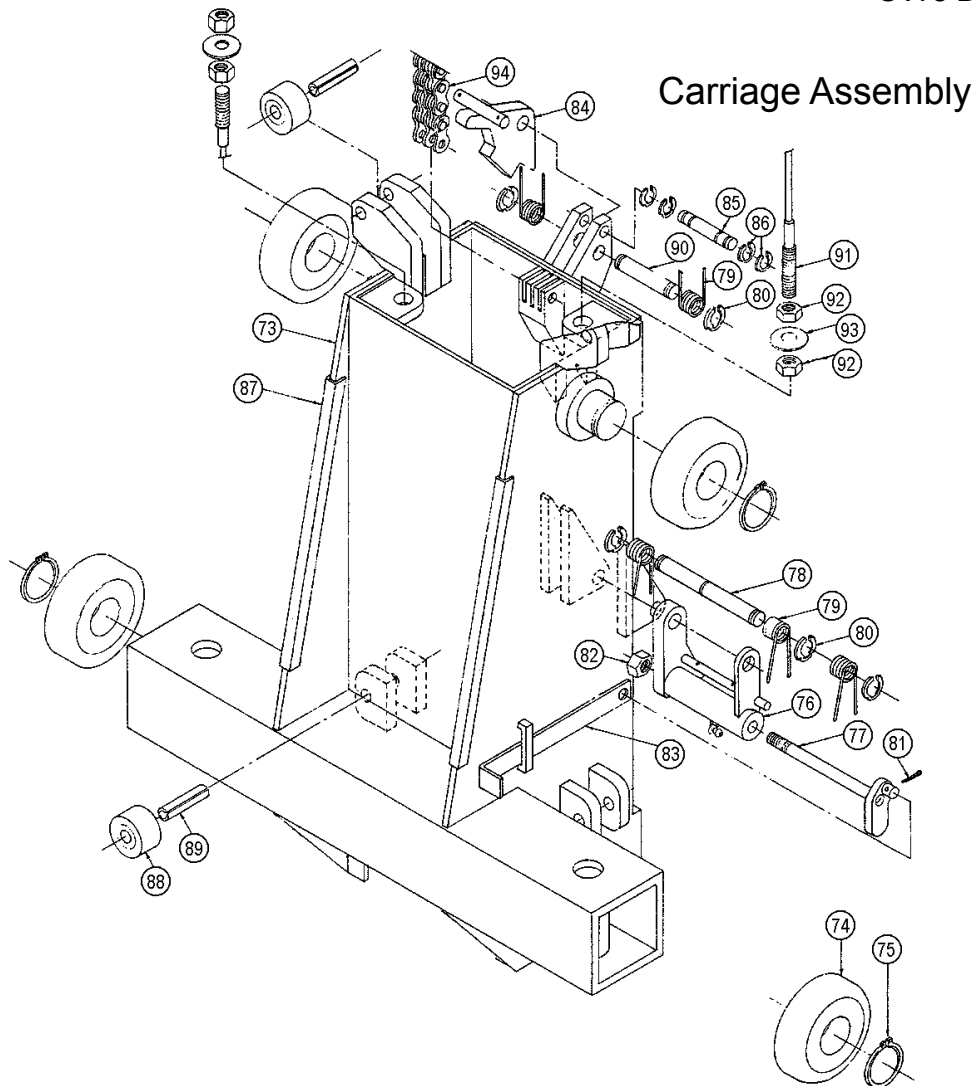
Item SVI #	OEM #	Req.	Description
63	BH-7111-65	82066	1 Coupling (MTE Only)
64	BH-7110-63	82056	1 90° Male Elbow
65	BH-7111-66	82198	1 Tube Assembly Upper
66	BH-7111-67	82200	1 Tube Assembly
67	BH-7111-68	81929	1 90° Elbow
68	BH-7111-69	60544	2 Tube Union
69	BH-7111-70	81916	1 Hose Assembly
70	BH-7110-66	100026	2 Plug
71	BH-7100-61	81821	2 Hydraulic Cylinder LMP 7
71	BH-7100-63	81921	2 Hydraulic Cylinder LMP 9
72	BH-7111-71	61496	1 Hex Nipple (MTE Only)



For Models LMO 7, LMO 9, LMP 7, LMP 9

**DIRECTFIT™**

SVI's DIRECT FIT™ BRAND



Item SVI #	OEM #	Req.	Description
- BH-7111-07	81824	2	Carriage Assembly Consists of #'s 73-90
73 BH-7111-48	82310	1	Carriage Structure
<b>74 BH-7110-03</b>	<b>81446</b>	<b>4</b>	<b>Carriage Roller</b>
75 BH-7111-49	100089	4	Retaining Ring
76 BH-7102-20	82756K	1	Latch Assembly
77 BH-7102-48	81842	1	Cam Structure
78 BH-7111-50	82760	1	Pivot Latch Shaft
79 BH-7100-90	80739	5	Torsion Spring
80 BH-7100-85	80738	5	Retaining Ring
81 F-CP-093-1000	100233	1	Cotter Pin
82 F-NL-0375-16	81082	1	Nylock Nut
83 BH-7102-36	81849	1	Cam Lever
84 BH-7101-24	82171	1	Latch Structure
85 BH-7111-51	82173	1	Pin

Item SVI #	OEM #	Req.	Description
86 BH-7100-86	80683	4	Retaining Ring
87 BH-7111-52	81850	2	Bumper Pad
<b>88 BH-7606-20</b>	<b>80176</b>	<b>4</b>	<b>Cam Yolk Roller</b>
89 F-RP-437-2000	100302	4	Roll Pin
<b>90 BH-7102-10</b>	<b>80737</b>	<b>1</b>	<b>Shaft</b>
For One Carriage			
<b>91 BH-7100-10</b>	<b>82743</b>	<b>1</b>	<b>Cable Assembly LMP 7 &gt;41833</b>
<b>91 BH-7100-18</b>	<b>80696</b>	<b>1</b>	<b>Cable Assembly LMP 7 &lt;41833</b>
<b>91 BH-7100-01</b>	<b>81926</b>	<b>1</b>	<b>Cable Assembly LMP 9 &gt;41937</b>
<b>91 BH-7100-15</b>	<b>82742</b>	<b>1</b>	<b>Cable Assembly LMO 7</b>
<b>91 BH-7100-06</b>	<b>81927</b>	<b>1</b>	<b>Cable Assembly LMO 9</b>
92 BH-7110-54	100157	4	Hex Nut LMO 7 & LMP 7
92 BH-7110-70	100073	4	Hex Nut LMO 9 & LMP 9
93 BH-7112-29	100141	4	Flat Washer LMO 7 & LMP 7
94 BH-7111-08	81823	1	Chain

Page



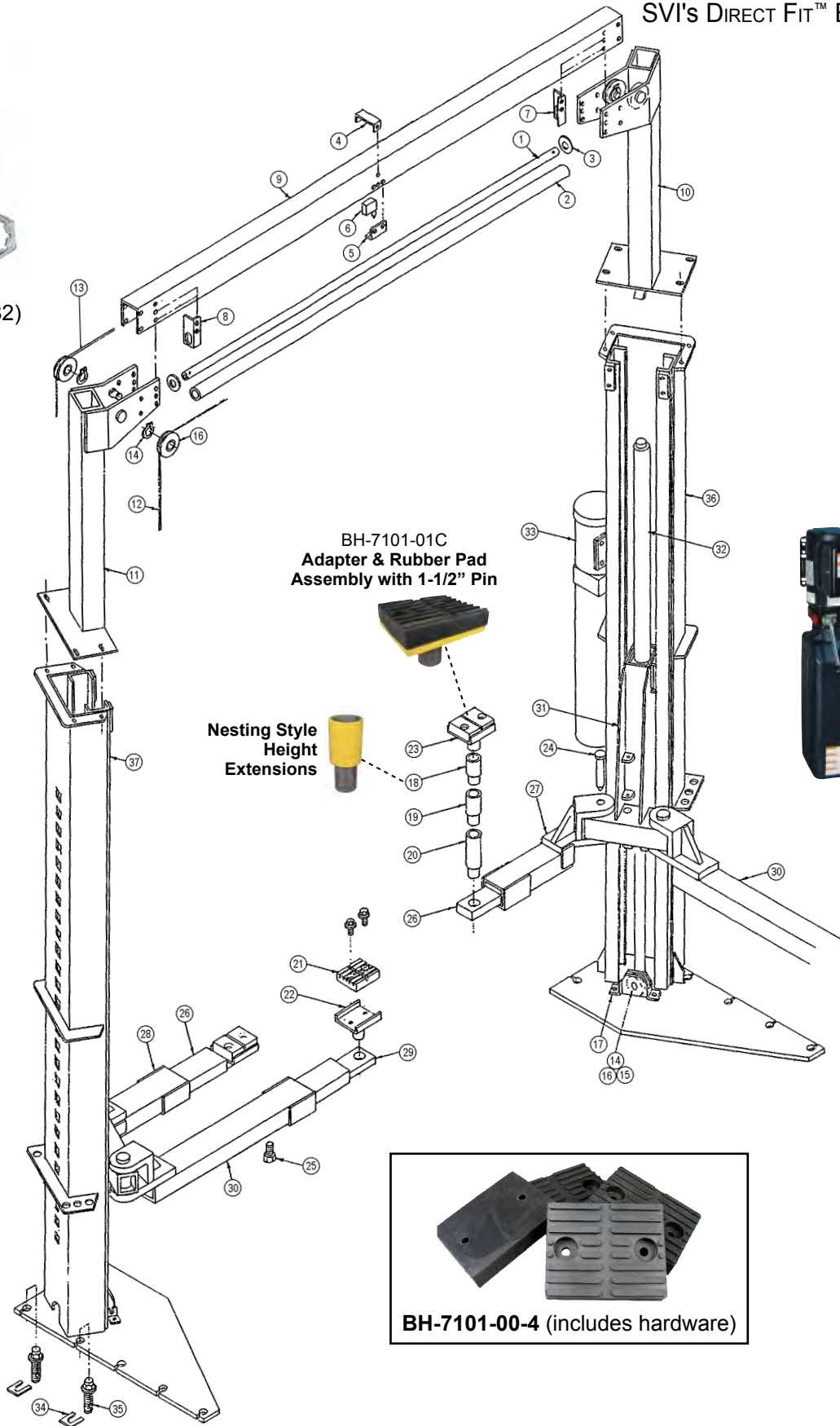


# For Models NDL 5500 & NDL 7000

**DIRECTFIT™**  
SVI's DIRECT FIT™ BRAND



**Micro Switch  
BH-7004-19 (Ref 80282)**



**BH-7101-00-4 (includes hardware)**

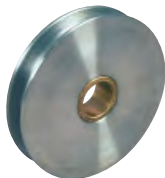


# For Models NDL 5500 & NDL 7000

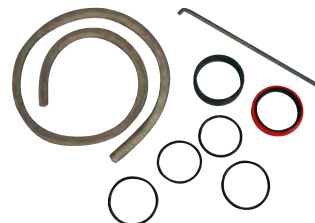
**DIRECTFIT™**  
SVI's DIRECT FIT™ BRAND

Item SVI #	OEM #	Req.	Description
1	BH-7110-41	82856	1 Bumper Pipe
2	BH-7110-42	81863	1 Bumper Tubing
3	BH-7113-67	100224	2 Flat Washer
	BH-7101-55	81483	2 Hex Screw
	BH-7112-24	100159	2 Lock Washer
	BH-7112-23	100102	2 Hex Nut
4	BH-7113-68	82857	1 Cable Support Strap
	BH-7110-73	100234	2 HFHSL Screw
	BH-7110-75	100237	2 HFHSL Nut
5	BH-7113-13	81864	1 Switch Support Angle
	BH-7110-73	100234	2 HFHSL Screw
	BH-7110-75	100237	2 HFHSL Nut
<b>6</b>	<b>BH-7004-19</b>	<b>80282</b>	<b>1 Micro Switch</b>
7	BH-7110-33	81861	1 Angle Support RH
	BH-7110-73	100234	4 HFHSL Screw
	BH-7110-75	100237	4 HFHSL Nut
8	BH-7110-70	81860	1 Angle Support LH
9	BH-7113-66	82854	1 Top Channel Structure
	BH-7110-74	100238	16 HFHSL Screw
	BH-7110-76	100239	16 HFHSL Nut
10	BH-7113-64	82842	1 Post Extension Structure RH
	BH-7113-65	100243	4 HFHSL Screw
	BH-7112-63	100304	8 HFHSL Screw
	BH-7110-82	100039	8 HFHSL Nut
11	BH-7113-63	82841	1 Post Extension Structure LH
<b>12</b>	<b>BH-7100-17</b>	<b>82859</b>	<b>1 Cable Assembly Long</b>
	BH-7100-54	100157	8 Hex Nut
<b>13</b>	<b>BH-7100-16</b>	<b>82858</b>	<b>1 Cable Assembly Short</b>
14	BH-7100-00C	80864	8 Retaining Ring
15	BH-7100-00B	81819	2 Idler Pin

Item SVI #	OEM #	Req.	Description
16	BH-7100-00	81924	6 Cable Sheave (Nylon)
<b>16</b>	<b>BH-7100-00S</b>	<b>81924</b>	<b>6 Cable Sheave (Steel)</b>
17	BH-7100-00A	82800	2 Idler Support Structure Bottom
	BH-7112-36	100240	4 HFHSL Screw
18	BH-7101-02	81693	4 2-5/8" Height Adapter
19	BH-7101-04	81692	4 3-1/2" Height Adapter
20	BH-7101-03	81691	4 5" Height Adapter
<b>21</b>	<b>BH-7101-00</b>	<b>82365</b>	<b>1 Rubber Arm Pad</b>
	<b>BH-7101-00-4</b>		<b>Rubber Arm Pad Kit</b>
22	BH-7101-01	82361	1 Steel Adapter
<b>23</b>	<b>BH-7101-01C</b>	<b>82591</b>	<b>4 Adapter Base &amp; Pad Assembly</b>
24	BH-7101-06	81885	4 Carriage Arm Pin
25	BH-7113-07	100010	4 Hex Screw
26	BH-7113-60	82835	2 Arm Ext. Structure Short
27	BH-7113-59	82830	1 Lift Arm Structure RH Short
28	BH-7113-58	82829	1 Lift Arm Structure LH Short
29	BH-7113-57	82834	2 Arm Extension Structure Long
30	BH-7113-56	82823	2 Lift Arm Structure Long
31	BH-7113-54	82804	2 Carriage Assembly NDL 5
	BH-7113-55	82882	2 Carriage Assembly NDL 7
<b>32</b>	<b>BH-7100-62</b>	<b>82803</b>	<b>2 Hydraulic Cylinder</b>
	<b>BH-7100-76</b>	<b>83339</b>	<b>1 Seal Kit Hex Bleeder</b>
	<b>BH-7100-77</b>	<b>82860</b>	<b>1 Seal Kit Allen Bleeder</b>
<b>33</b>	<b>BH-7006-01</b>	<b>1</b>	<b>Power Unit 1 PH, 2 HP</b>
34	BH-7512-92	80589	1 Shim Kit 150 pcs, 3 sizes
35	BH-7075-03L	80062	16 3/4 x 5-1/2 Wedge Anchor
36	BH-7113-51	82789	1 Post Structure RH NDL 5
	BH-7113-52	82873	1 Post Structure RH NDL 7
37	BH-7113-49	82788	1 Post Structure LH NDL 5
	BH-7113-50	82872	1 Post Structure LH NDL 7
	BH-7113-70	83649	1 Front Arm Ext Pkg (Optional)



**Cable Sheave - Steel**  
**BH-7100-00S**  
(Ref 81924)

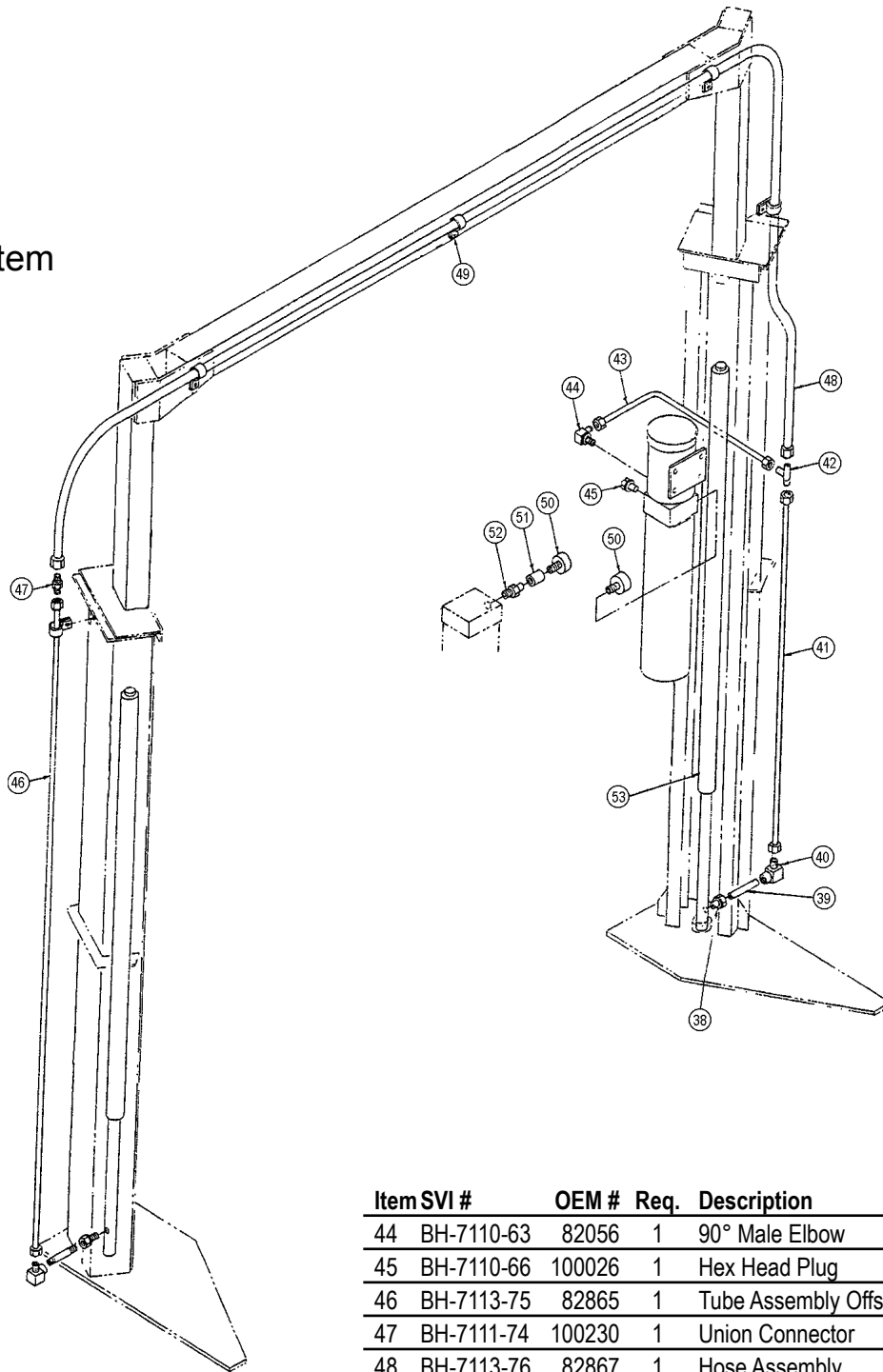


**BH-7100-77**  
(Ref 82860)  
**Seal Kit Allen Bleeder**

# For Models NDL 5500 & NDL 7000

**DIRECTFIT™**  
SVI's DIRECT FIT™ BRAND

## Hydraulic System



Item SVI #	OEM #	Req.	Description
38	BH-7102-92 80992	2	Female Adapter
39	BH-7111-64 100225	2	Pipe Nipple
40	BH-7102-93 100227	2	90° Elbow
41	BH-7113-73 82863	1	Tube Assembly - Main Lower
42	BH-7111-72 100226	1	Union Tee
43	BH-7113-74 82861	1	Tube Assembly - Main Upper

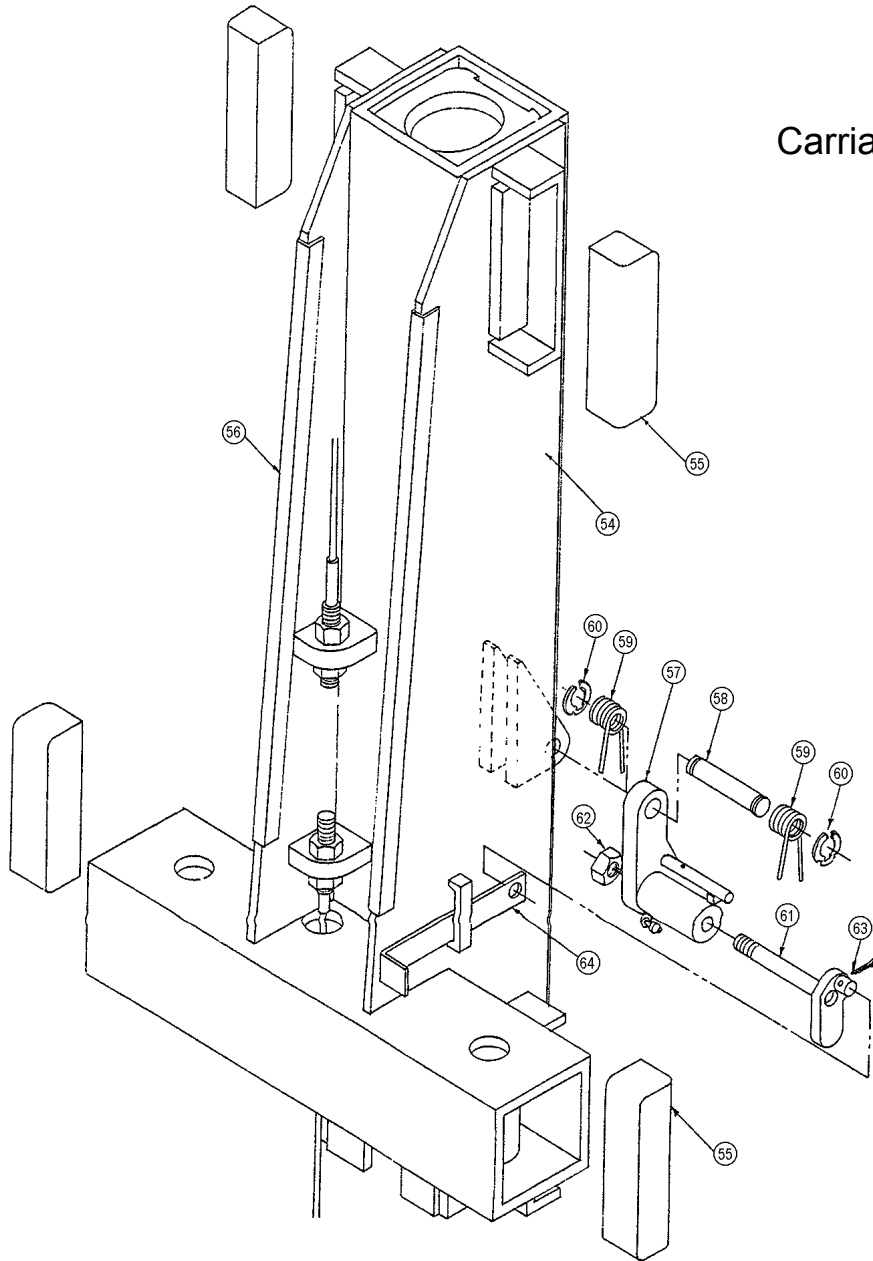
Item SVI #	OEM #	Req.	Description
44	BH-7110-63 82056	1	90° Male Elbow
45	BH-7110-66 100026	1	Hex Head Plug
46	BH-7113-75 82865	1	Tube Assembly Offside
47	BH-7111-74 100230	1	Union Connector
48	BH-7113-76 82867	1	Hose Assembly
49	BH-7111-77 61412	5	Hose Clamp
	BH-7110-73 100234	2	HFHSL Screw
	BH-7110-75 100237	2	HFHSL Nut
50	BH-7101-61 80124	1	Dry Pressure Gauge
51	BH-7111-65 82066	1	Coupling (MTE Only)
52	BH-7111-71 61496	1	Hex Nipple (MTE Only)
53	BH-7100-62 82803	2	Hydraulic Cylinder

P  
a  
g  
e

# For Models NDL 5500 & NDL 7000

**DIRECTFIT™**  
SVI's DIRECT FIT™ BRAND

## Carriage Assembly



ItemSVI #	OEM #	Req.	Description
- BH-7113-54	82804	1	Carriage Assembly NDL 5
- BH-7113-55	82882	1	Carriage Assembly NDL 7
54 BH-7113-77	82805	1	Carriage Structure NDL 5
54 BH-7113-78	82883	1	Carriage Structure NDL 7
<b>55 BH-7110-01</b>	<b>82816</b>	<b>4</b>	<b>Carriage Slider Block</b>
56 BH-7113-79	82822	2	Bumper Pad
57 BH-7102-34	82942	1	Latch Assembly
BH-7113-46	81471	1	Grease Fitting

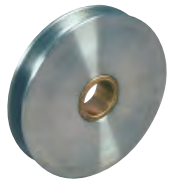
ItemSVI #	OEM #	Req.	Description
<b>58 BH-7102-10</b>	<b>80737</b>	<b>1</b>	<b>Shaft</b>
59 BH-7100-90	80739	2	Torsion Spring
60 BH-7100-85	80738	2	Retaining Ring
61 BH-7102-27	82820	1	Cam Structure
62 F-NL-0375-16	81082	1	Nylock Nut
63 F-CP-093-1000100233		1	Cotter Pin
64 BH-7102-36	81849	1	Cam Lever

P  
a  
g  
e



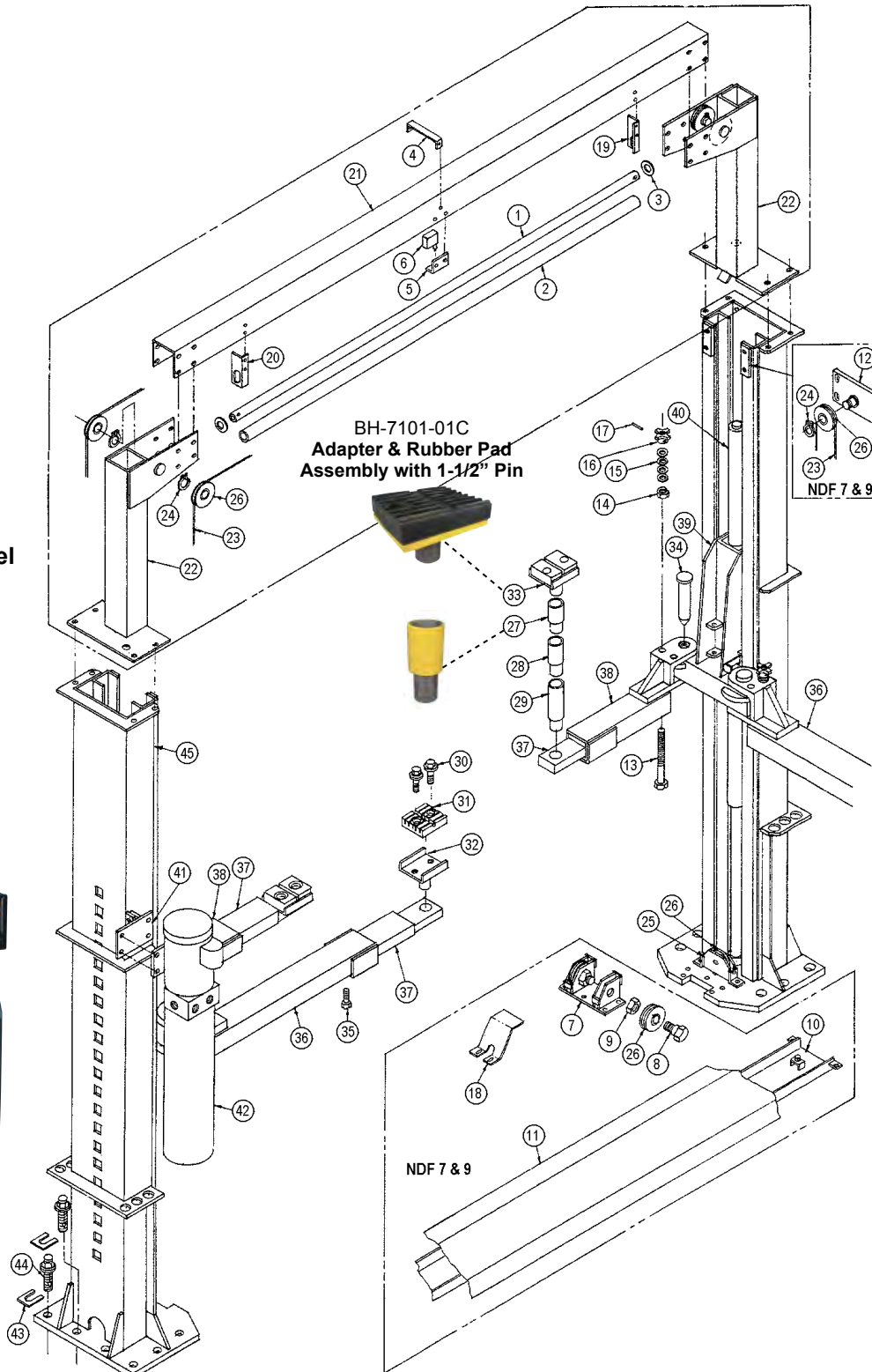
For Models NDO 7, NDO 9, NDF 7, NDF 9

**DIRECTFIT™**  
SVI's DIRECT FIT™ BRAND



Cable Sheave - Steel

**BH-7100-00S**  
(Ref 81924)





For Models NDO 7, NDO 9, NDF 7, NDF 9



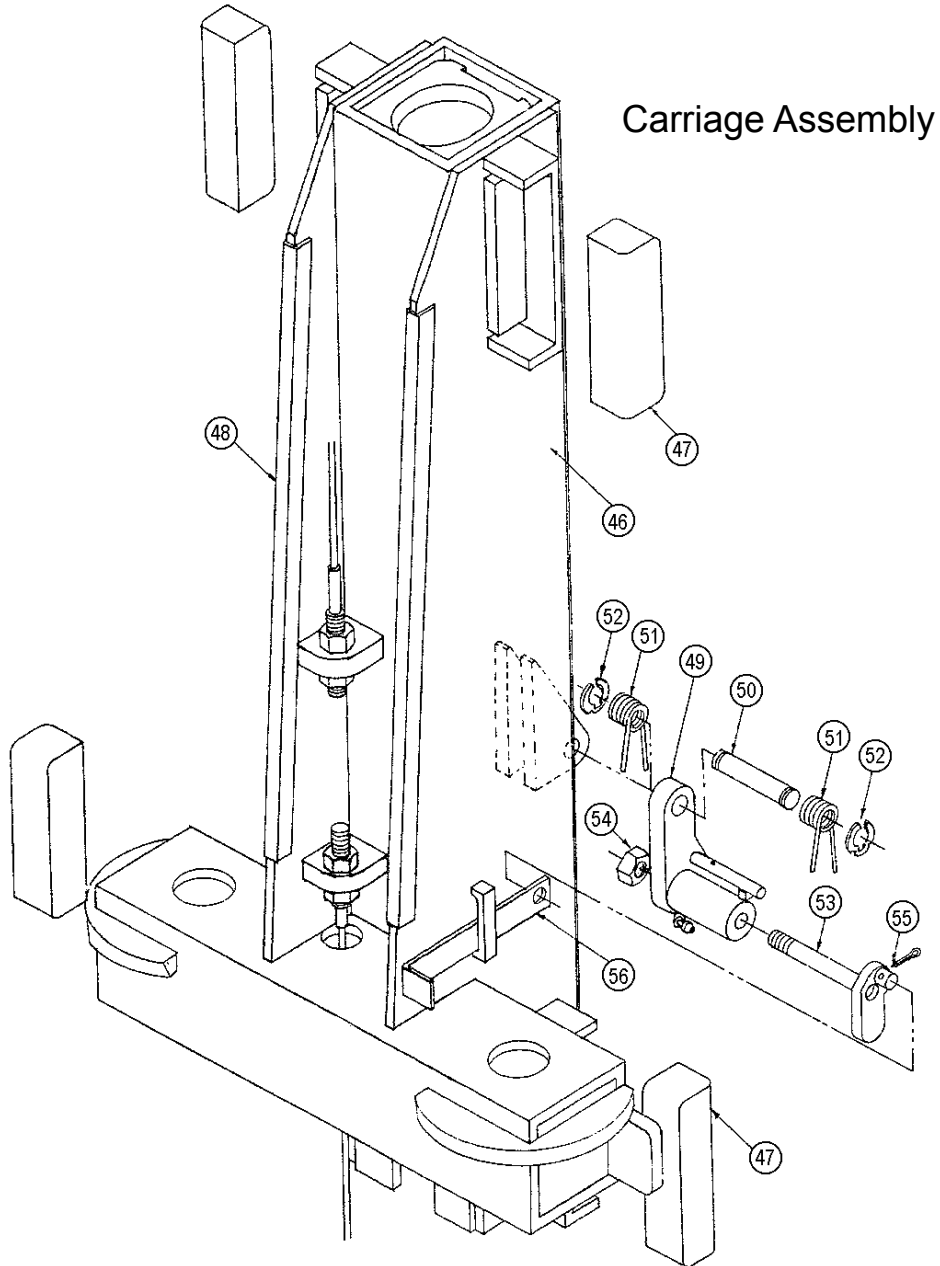
Item SVI #	OEM #	Req.	Description
1	BH-7110-41	82856 1	Pipe Bumper NDO
2	BH-7110-42	81863 1	Tubing Bumper NDO
3	BH-7113-67	100224 2	Flat Washer NDO
	BH-7101-55	81483 2	Hex Screw
	BH-7112-24	100159 2	Lock Washer
	BH-7112-23	100102 2	Hex Nut
4	BH-7113-80	83805 1	Cable Support Strap NDO
5	BH-7111-13	81864 1	Switch Support Angle NDO
	BH-7110-73	100234 4	HFHSL Screw
	BH-7110-75	100237 4	HFHSL Nut
<b>6</b>	<b>BH-7004-19</b>	<b>80282 1</b>	<b>Micro Switch NDO</b>
	BH-7113-69	81910 1	Micro Switch Cover
7	BH-7113-81	83728 2	Idler Support Struct. Bottom NDF
8	BH-7113-82	83804 4	Shoulder Screw NDF
9	BH-7113-83	81977 4	Nylock Nut NDF
	BH-7112-36	100240 12	HFHSL Screw (Support)
10	BH-7101-44	83734 1	Trough Structure NDF
	BH-7112-36	100240 4	HFHSL Screw (Trough to Base)
11	BH-7112-46	83800 1	Cover Structure Trough NDF
	BH-7110-76	100239 2	HFHSL Nut (Cover to Trough)
12	BH-7113-84	83725 2	Idler Support Struct Top NDF
13	BH-7113-85	83712 4	Adjusting Screw
14	BH-7113-86	83711 4	Nut Wedge
15	BH-7112-29	100141 16	Flat Washer
16	BH-7113-87	83713 4	Hand Knob
17	BH-7113-88	100109 4	Roll Pin
18	BH-7113-89	83798 2	Shield, Bottom Idlers NDF
	BH-7112-35	100342 4	HDHSL Screw (Shield Cover)
19	BH-7110-33	81861 1	Angle RH NDO
	BH-7110-73	100234 4	HFHSL Screw
	BH-7110-75	100237 4	HFHSL Nut
20	BH-7110-40	81860 1	Angle LH NDO
21	BH-7113-99	83688 1	Top Channel Cross Over NDO
	BH-7110-74	100238 16	HFHSL Screw (Ext to Channel)
	BH-7110-76	100239 16	HFHSL Nut
22	BH-7102-86	83681 2	Post Extension Struct. NDO
	BH-7112-63	100304 8	HFHSL Screw (Ext to Post)
	BH-7110-82	100039 8	HFHSL Nut

Item SVI #	OEM #	Req.	Description
<b>23</b>	<b>BH-7100-07</b>	<b>83689 2</b>	<b>Cable Assembly NDO</b>
	<b>BH-7100-08</b>	<b>83740 2</b>	<b>Cable Assembly NDF</b>
24	BH-7100-00C	80864 4	Retaining Ring NDO
	BH-7100-00C	80864 2	Retaining Ring NDF
25	BH-7100-00A	82800 2	Idler Support Struct Bottom NDO
	BH-7100-00B	81819 2	Idler Pin
	BH-7100-00C	80864 4	Retaining Ring
	BH-7112-36	100240 4	HFHSL Screw
26	BH-7100-00	81924 6	Cable Sheave (Nylon)
	<b>BH-7100-00S</b>	<b>81924 6</b>	<b>Cable Sheave (Steel)</b>
27	BH-7101-02	81693 4	2-5/8" Height Adapter
28	BH-7101-04	81692 4	3-1/2" Height Adapter
29	BH-7101-03	81691 4	5" Height Adapter
30	F-HC-0312-18-0750	100313 2	HFHSL Screw
	F-FW-0375-SAE		Flat Washer
<b>31</b>	<b>BH-7101-00</b>	<b>82365 1</b>	<b>Rubber Arm Pad</b>
	<b>BH-7101-00-4</b>		<b>Rubber Arm Pad Kit</b>
32	BH-7101-01	82361 1	Steel Adapter
<b>33</b>	<b>BH-7101-01C</b>	<b>82591 4</b>	<b>Adapter Base &amp; Pad Assembly</b>
			<b>Consists of Item #'s 30-32</b>
34	BH-7102-37	83715 4	Arm Pin
35	BH-7113-07	100010 4	Hex Screw
36	BH-7113-98	83704 2	Lift Arm Structure Long
37	BH-7113-97	83706 4	Arm Extension Structure
38	BH-7103-01	83699 2	Lift Arm Structure Short
39	BH-7113-96	83690 2	Carriage Assembly
40	BH-7100-62	83542, 82803 2	Hydraulic Cylinder
	BH-7100-98	80063 2	Cap Screw
	BH-7113-95	80064 2	Hex Nylock Nut
41	BH-7113-93	83732 1	Power Unit Bracket Structure
	BH-7112-20	100198 4	Hex Screw
	BH-7112-24	100159 4	Lock Washer
	BH-7112-23	100102 4	Hex Nut
	BH-7110-74	100238 2	HFHSL Screw
	BH-7110-76	100239 2	HFHSL Nut
<b>42</b>	<b>BH-7006-01</b>	<b>1</b>	<b>Power Unit 1 PH, 2 HP</b>
43	BH-7512-92	80589 1	Shim Kit 150 pcs, 3 sizes
44	BH-7075-03L	80062 16	3/4 x 5-1/2 Wedge Anchor
45	BH-7113-90	83779 2	Post Structure NDO 7 & NDF 7
	BH-7113-91	83673 2	Post Structure NDO 9 & NDF 9



For Models NDO 7, NDO 9, NDF 7, NDF 9

**DIRECTFIT™**  
SVI's DIRECT FIT™ BRAND



ItemSVI #	OEM #	Req.	Description
- BH-7113-96	83690	1	Carriage Assembly
46 BH-7114-00	83691	1	Carriage Structure
<b>47 BH-7110-01</b>	<b>81816</b>	<b>4</b>	<b>Carriage Slider Block</b>
48 BH-7113-79	82822	2	Bumper Pad
<b>49 BH-7102-34</b>	<b>82942</b>	<b>1</b>	<b>Latch Assembly</b>
BH-7113-46	81471	1	Grease Fitting
<b>50 BH-7102-10</b>	<b>80737</b>	<b>1</b>	<b>Carriage Lock Shaft</b>

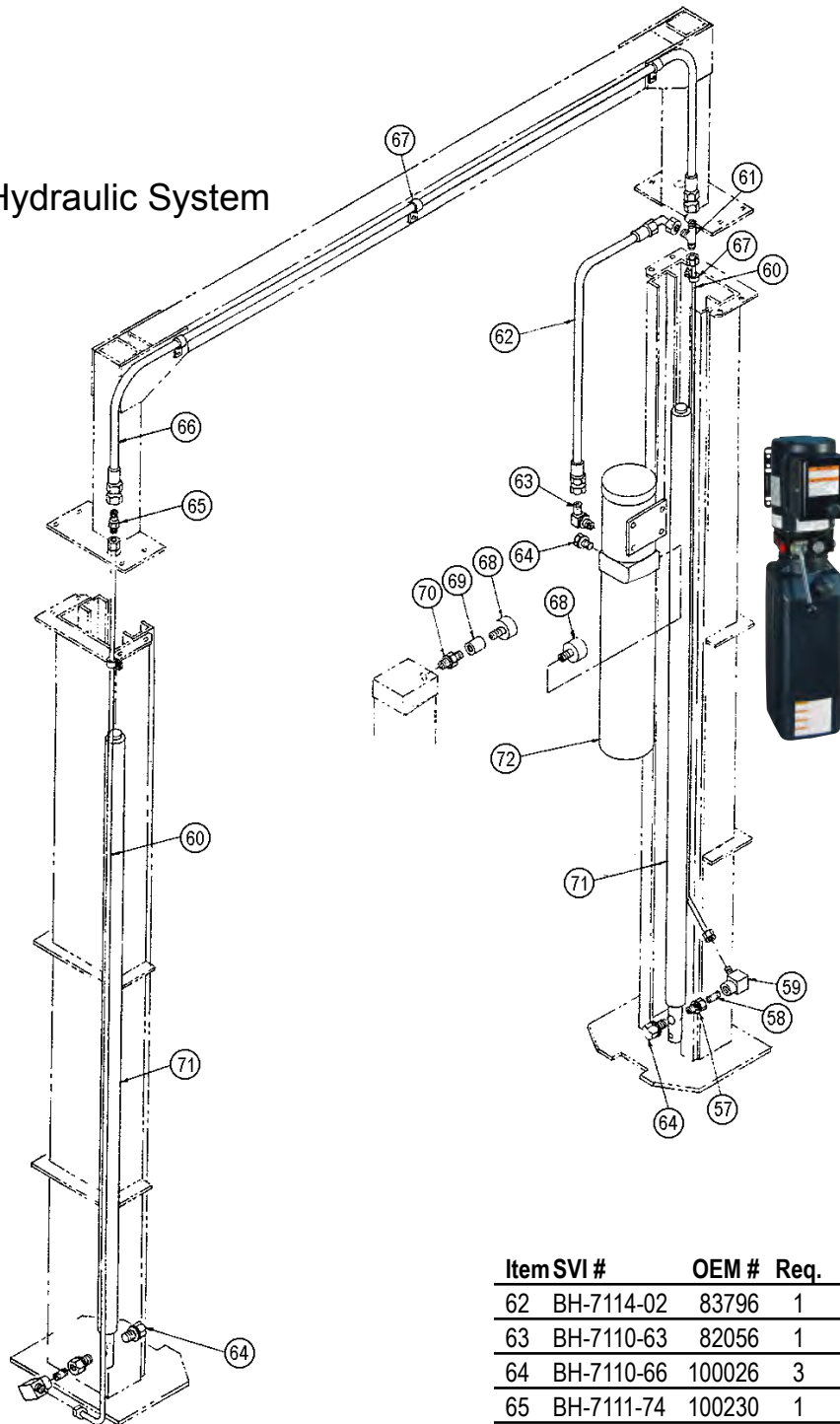
ItemSVI #	OEM #	Req.	Description
51 BH-7100-84	80739	2	Torsion Spring
52 BH-7100-85	80738	2	Retaining Ring
53 BH-7102-27	82820	1	Cam Structure
54 BH-7102-12	81082	1	Nylock Nut
55 F-CP-093-1000	100233	1	Cotter Pin
56 BH-7102-36	81849	1	Cam Lever

P  
a  
g  
e

# For Models NDO 7, NDO 9

**DIRECTFIT™**  
SVI's DIRECT FIT™ BRAND

## Hydraulic System



Item SVI #	OEM #	Req.	Description
57	BH-7102-92	80992	2 Female Adapter
58	BH-7102-94	100341	2 Pipe Nipple
59	BH-7102-93	100227	2 90° Elbow
60	BH-7114-01	83794	2 Main Tube Assembly
61	BH-7111-72	100226	1 Union Tee

Item SVI #	OEM #	Req.	Description
62	BH-7114-02	83796	1 Hose Assembly 3/8 ID
63	BH-7110-63	82056	1 90° Elbow
64	BH-7110-66	100026	3 Hex Head Plug
65	BH-7111-74	100230	1 Union Connector
66	BH-7114-02	83717	1 Hose Assembly 3/8 ID
67	BH-7111-77	61412	5 Hose Clamp
68	BH-7101-61	80124	1 Dry Pressure Gauge
69	BH-7111-65	82066	1 Coupling (MTE Only)
70	BH-7111-71	61496	1 Hex Nipple (MTE)
71	BH-7100-62	83542, 82803	2 Hydraulic Cylinder
72	<b>BH-7006-01</b>	<b>1</b>	<b>Power Unit 1 PH, 2 HP</b>

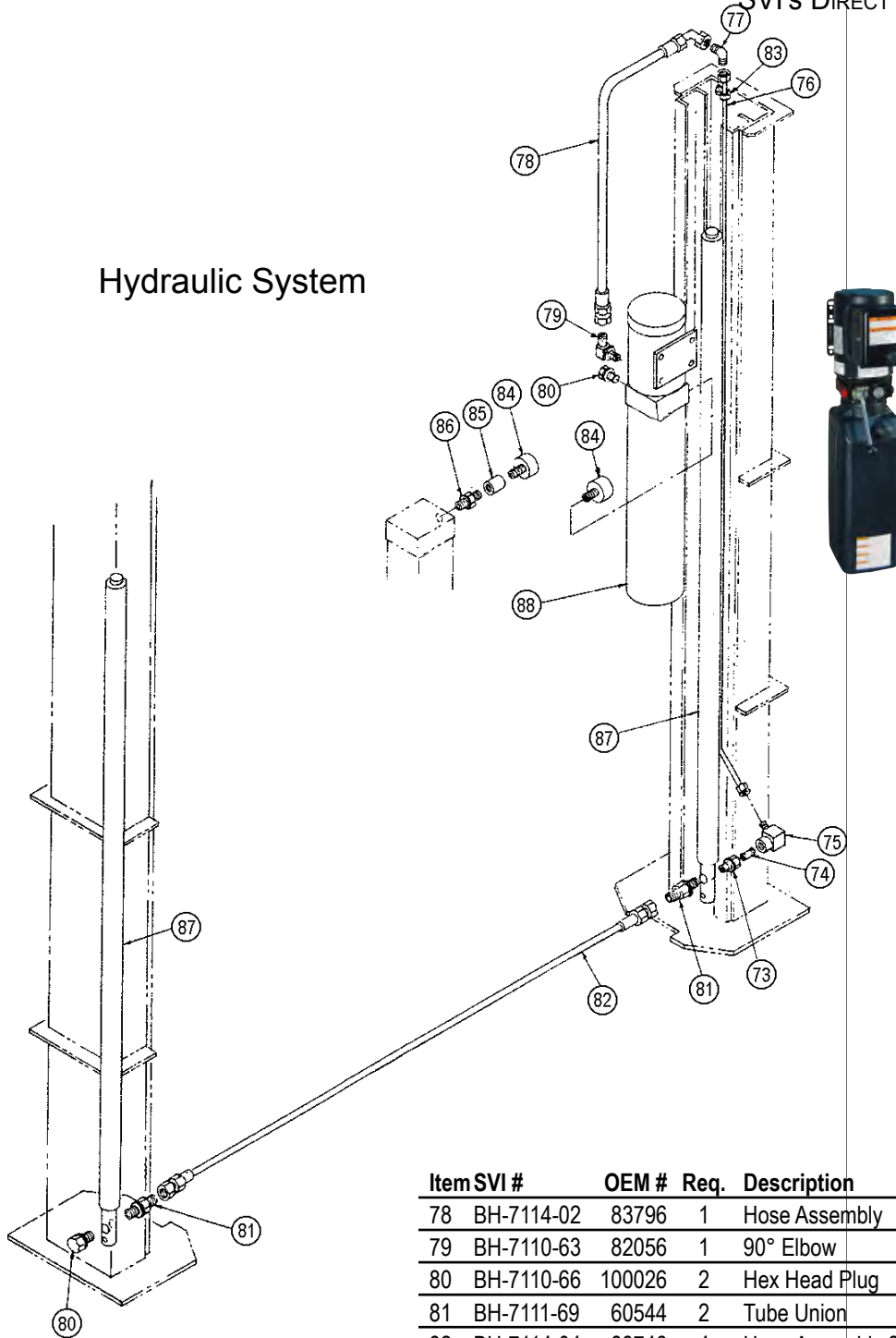


# For Models NDF 7, NDF 9

**DIRECTFIT™**

SVI's DIRECT FIT™ BRAND

## Hydraulic System



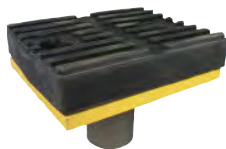
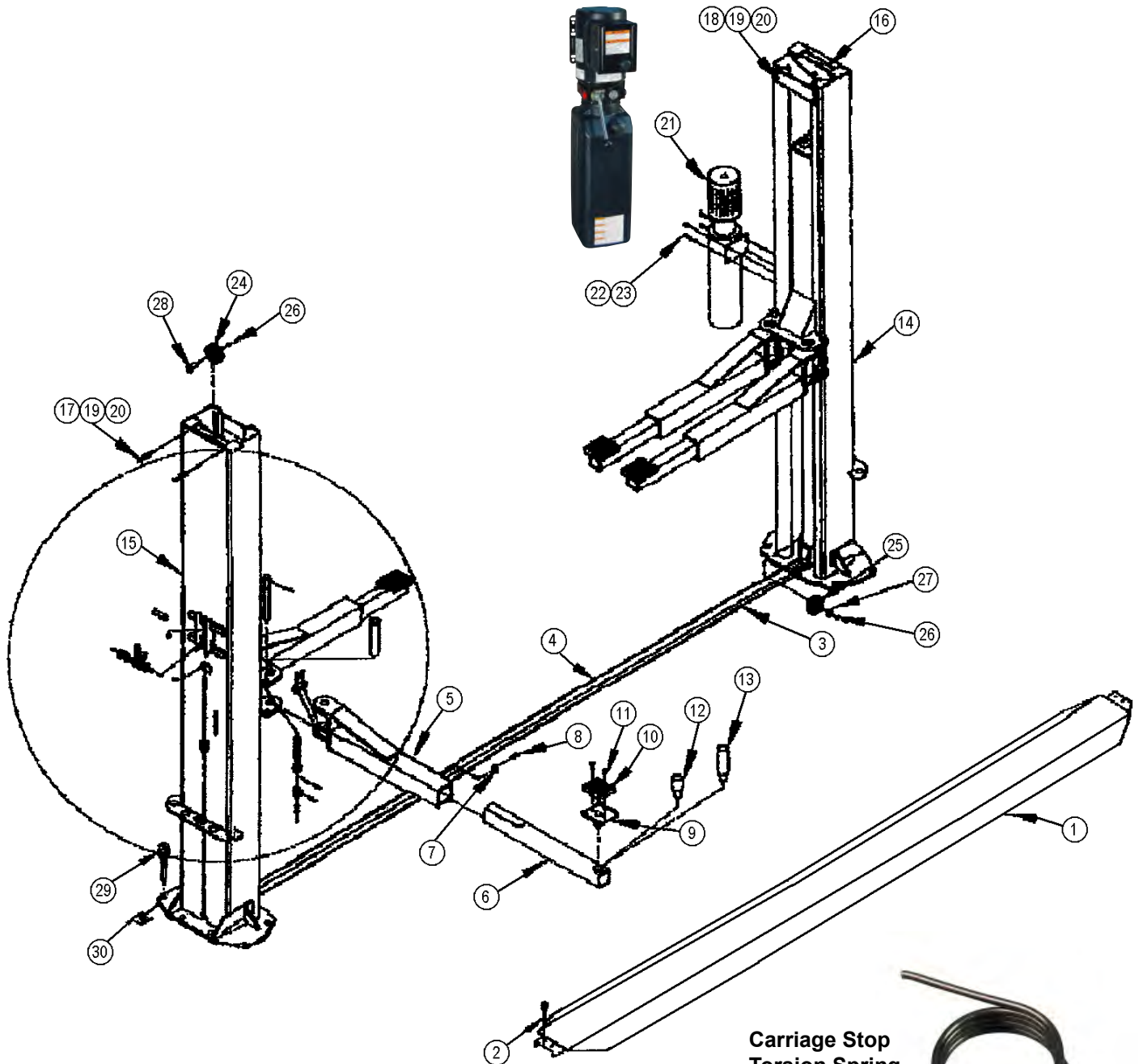
Item SVI #	OEM #	Req.	Description
73	BH-7102-92 80992	1	Female Adapter
74	BH-7102-94 100341	1	Pipe Nipple
75	BH-7102-93 100227	1	90° Elbow
76	BH-7114-01 83794	1	Main Tube Assembly
77	BH-7111-68 81929	1	90° Elbow

Item SVI #	OEM #	Req.	Description
78	BH-7114-02 83796	1	Hose Assembly
79	BH-7110-63 82056	1	90° Elbow
80	BH-7110-66 100026	2	Hex Head Plug
81	BH-7111-69 60544	2	Tube Union
82	BH-7114-04 83746	4	Hose Assembly 3/8 ID
83	BH-7111-77 61412	1	Clamp
84	BH-7101-61 80124	1	Dry Pressure Gauge
85	BH-7111-65 82065	1	Coupling (MTE Only)
86	BH-7111-71 61496	1	Hex Nipple (MTE)
87	BH-7100-62 83542, 82803	2	Hydraulic Cylinder
88	BH-7006-01	1	Power Unit 1 PH, 2 HP

P  
a  
g  
e

# For Model 9000 FC

**DIRECTFIT™**  
SVI's DIRECT FIT™ BRAND



**Adapter & Rubber Pad Assembly with 1-1/2" Pin**  
**BH-7101-01C**  
(Ref 82591, 82361 - Base)



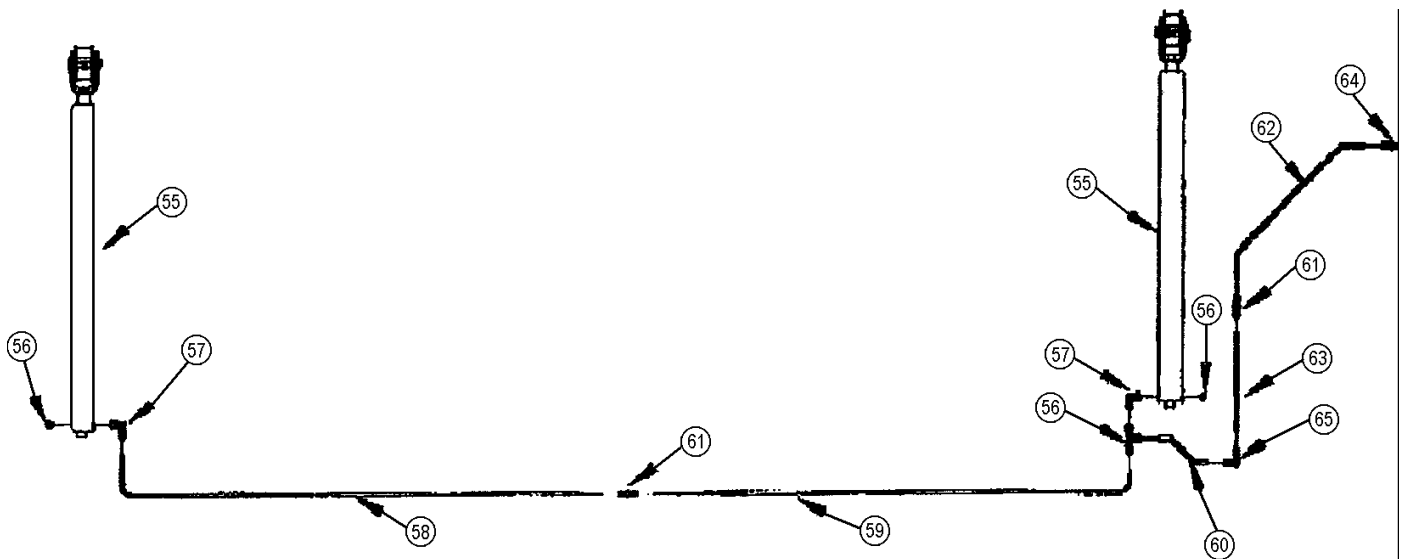
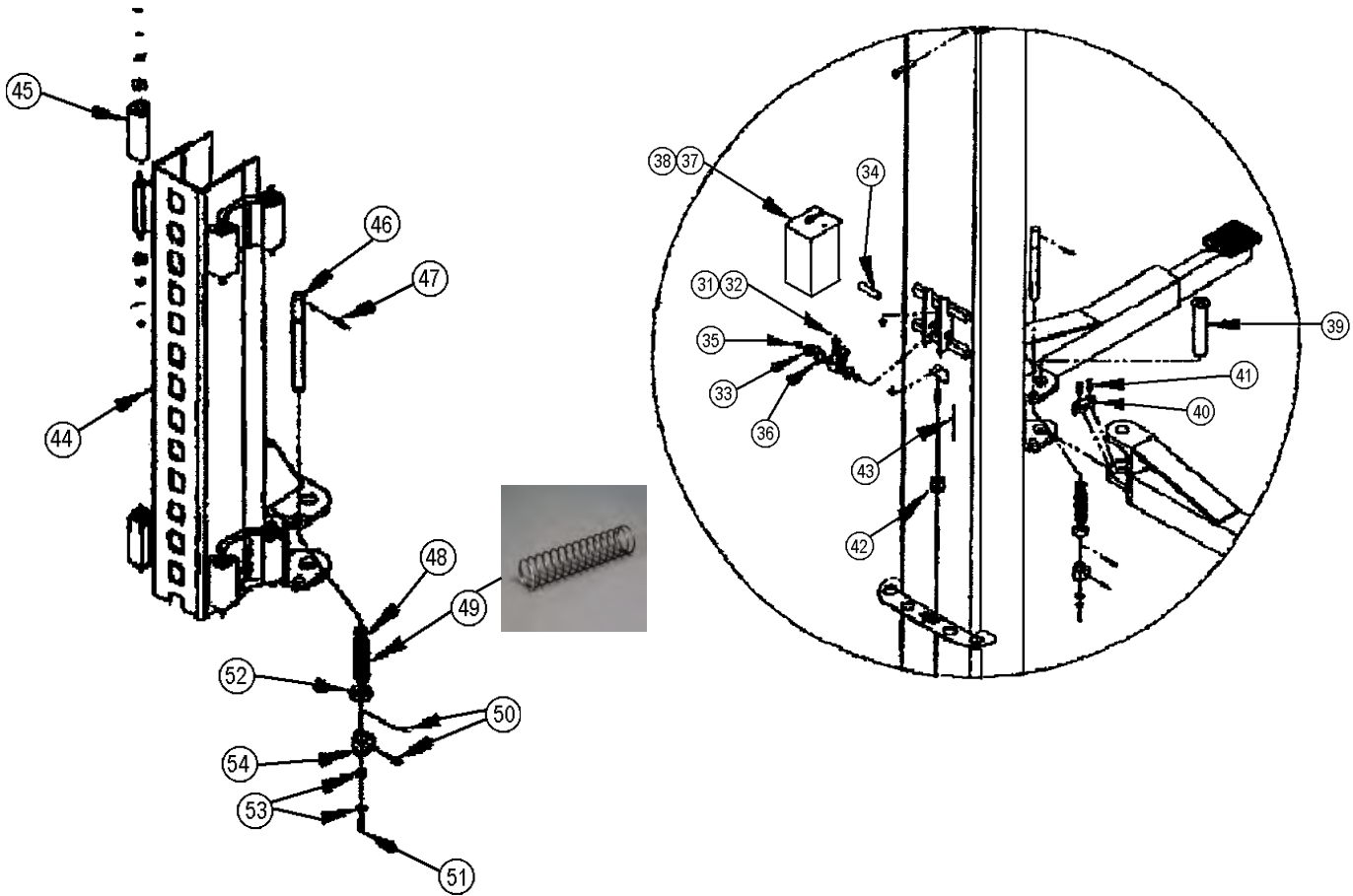
SVI offers a large variety of height extensions and adapters like this:  
**BH-7101-02** (Ref 81693)  
**2-5/8" Nesting Style Height Extension Adapter**  
*Other heights available.*

**Carriage Stop Torsion Spring**  
**BH-7116-23**  
(Ref 103016)



# For Model 9000 FC

**DIRECTFIT™**  
SVI's DIRECT FIT™ BRAND





# For Model 9000 FC

**DIRECTFIT™**  
SVI's DIRECT FIT™ BRAND

Item SVI #	OEM #	Req.	Description
1	BH-7116-15	91758	1 Crossover Structure
2	BH-7116-16	95082	4 Anchor Bolt 3/8 x 3-3/4
3	BH-7116-17	91731	1 Actuator Cable
4	BH-7116-26	92037	2 Equalizer Cable 28' 2-3/8"
5	BH-7116-29	91613	4 Arm Structure
6	BH-7116-30	91615	4 Arm Extension Structure
7	BH-7101-14	100082	4 Flatwasher 3/8"
8	BH-7116-31	101025	4 Self Tapping Screw
*	<b>BH-7101-01C</b>	<b>91555</b>	<b>4 Lift Pad Assembly</b>
9	BH-7116-33	91558	1 Lift Pad Structure <i>See BH-7101-01C</i>
10	BH-7116-34	91559	1 Bolt On Lift Pad
11	BH-7116-35	100179	2 Self Locking Screw
<b>12</b>	<b>BH-7101-02</b>	<b>91560</b>	<b>4 2-5/8" Lift Pad Extension</b>
<b>13</b>	<b>BH-7101-03</b>	<b>91562</b>	<b>4 5" Lift Pad Extension</b>
14	BH-7116-02	91729	1 RH Post Structure
15	BH-7116-03	91733	1 LH Post Structure
16	BH-7116-11	91750	2 Mount Sheave Upper
17	F-HC-0375-16-3500	101032	4 Hexhead Capscrew
18	BH-7116-13	91754	2 Bar Tie
19	BH-7110-74	100238	10 Washer Head Screw
20	BH-7110-76	100238	10 Self Locking Hex Nut
<b>21</b>	<b>BH-7006-01</b>		<b>1 2 HP, 1PH Power Unit</b>
22	BH-7110-73	100234	4 Hex Screw 5/16"
23	BH-7110-75	100237	4 Self Locking Hex Nut 5/16"
24	BH-7116-06	91748	2 Sheave Assembly
25	BH-7116-08	91565	4 Sheave
26	BH-7116-09	103000	6 Snap Ring 3/4"
27	BH-7116-10	100512	6 Flatwasher 3/4"
28	BH-7116-07	91755	2 Overhead Sheave Shaft Structure
29	BH-7075-03L	95083	12 3/4 x 5-1/2 Wedge Anchor
30	BH-7512-92	95001	1 Shim Kit 150 pcs, 3 sizes
31	BH-7116-18	91599	1 RH Carriage Latch
32	BH-7116-19	91600	1 LH Carriage Latch
*	BH-7116-20	91761	1 Carriage Stop Handle

Item SVI #	OEM #	Req.	Description
33	BH-7116-10	100512	4 Flat Washer 3/4"
*	BH-7205-21	91575	1 Handle Ball
34	BH-7116-22	91576	2 Carriage Stop Pivot Pin
35	BH-7116-09	103000	4 Snap Ring 3/4"
<b>36</b>	<b>BH-7116-23</b>	<b>103016</b>	<b>2 Carriage Stop Torsion Spring</b>
37	BH-7116-24	91762	1 Latch Cover Power Unit Side
38	BH-7116-25	91763	1 Latch Cover Offside
39	BH-7116-38	91063	4 Arm Pin Structure
<b>40</b>	<b>BH-7116-45</b>	<b>91584</b>	<b>4 Arm Restraint Gear</b>
41	BH-7116-46	101028	8 Capscrew 3/8 x 1
42	BH-7116-60	103020	4 Four Way Cable Tie
43	BH-7116-61	103025	4 Tie Wrap
44	BH-7116-04	92016	2 Carriage Structure
<b>45</b>	<b>BH-7106-07</b>	<b>91564</b>	<b>16 Bearing Block (Slider Block)</b>
46	BH-7116-39	91581	4 Arm Restraint Shaft
47	F-RP-250-2500	103018	4 Roll Pin
48	F-RR-5100-1000	103019	4 Snap Ring 1"
<b>49</b>	<b>BH-7116-41</b>	<b>103017</b>	<b>4 Arm Restraint Actuating Spring</b>
50	F-RP-0187-500	103009	8 Roll Pin
51	BH-7116-47	101027	4 Capscrew 5/16 x 3/4
52	BH-7101-50	100143	4 Flatwasher 1"
53	BH-7116-48	100088	8 Flatwasher 5/16"
<b>54</b>	<b>BH-7116-40</b>	<b>91582</b>	<b>4 Locking Gear</b>
55	BH-7116-49	91732	2 Cylinder Assembly
56	BH-7116-58	105041	3 Swivel Nut Run Tee
57	BH-7116-57	105040	2 Straight Thread Elbow
58	BH-7116-56	91770	1 Hydraulic Line
59	BH-7116-55	91769	1 Hydraulic Line
60	BH-7116-54	91768	1 Hydraulic Line
61	BH-7116-51	105032	2 Tube Union
62	BH-7116-52	91766	1 Hydraulic Line
63	BH-7116-53	91768	1 Hydraulic Line
64	BH-7116-50	105023	1 Straight Connector
65	BH-7116-59	105042	1 Union Elbow

\* Not Pictured



**BH-7116-45** (Ref # 91584)  
**Arm Restraint Main Gear**  
for Ben Pearson / Ammco



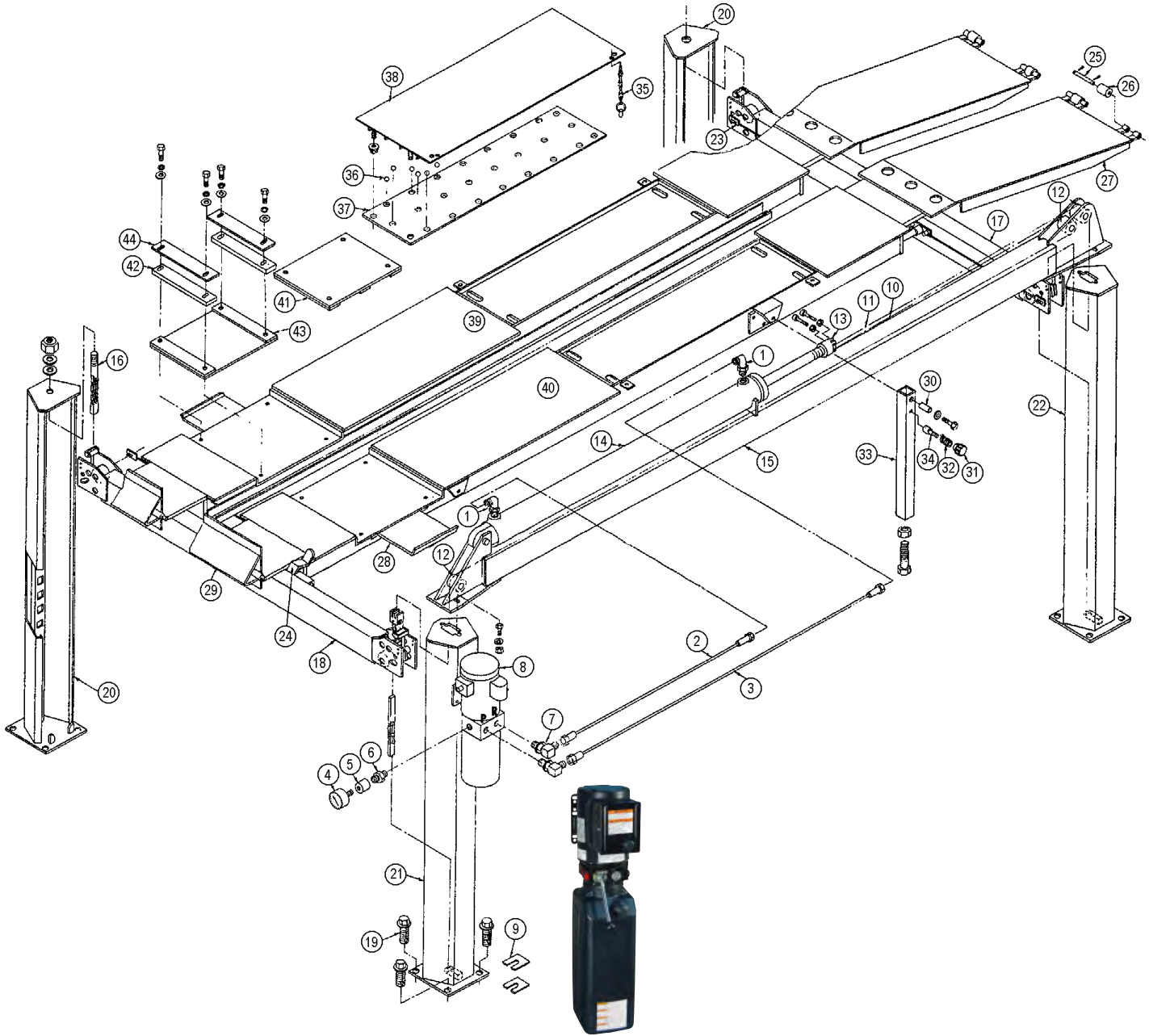
**BH-7116-40** (Ref # 91582)  
**Arm Restraint Engage Gear / Locking Gear**  
for Ben Pearson / Ammco

**Gears Pictured Left are For Models:**  
9000AI, 9000SI, 9000FC  
Magnum, 9000ADJ,  
9000ADJ-SA, 10000SA,  
10000SI-WIDE, 12000AI,  
12000SI, and others



# For Model FAR 12

**DIRECTFIT™**  
SVI's DIRECT FIT™ BRAND





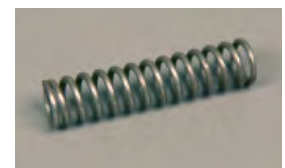


# For Model FAR 12

**DIRECTFIT™**  
SVI's DIRECT FIT™ BRAND

Item SVI #	OEM #	Req.	Description
1	BH-7101-59	80131 2	90° Male Elbow
2	BH-7100-93	80126 1	1/2" ID Hose Assembly Short
3	BH-7101-60	80125 4	1/2" ID Hose Assembly Long
4	BH-7101-61	80124 1	Dry Pressure Gauge
5	BH-7111-65	82066 1	Coupling (MTE Only)
6	BH-7111-71	61496 1	Hex Nipple (MTE Only)
7	BH-7110-63	82056 2	90° Elbow
<b>8</b>	<b>BH-7006-01</b>	<b>1</b>	<b>Power Unit 1PH, 2HP</b>
9	BH-7512-92	80589 1	Shim Kit 150 pcs, 3 sizes
10	BH-7111-83	81118 1	Leaf Chain Long
11	BH-7111-82	81117 1	Leaf Chain Short
<b>12</b>	<b>BH-7230-30</b>	<b>80028 3</b>	<b>2-3/4" Chain Roller 3/4" Bore</b>
13	BH-7101-25	80079 1	Cylinder End Connector
14	BH-7100-68	80078 1	Hydraulic Cylinder 72" Stroke
15	BH-7100-95	80001 1	Upper Horizontal Tube Structure
16	BH-7111-81	81721 2	Cross Chain Assembly Consists of:
	BH-7101-80	81722 1	Chain
	BH-7028-01	80139 1	Connecting Link
	BH-7101-49	80023 1	Stud Chain Retainer
17	BH-7111-80	83176 1	Rear Cross Tube Assembly
18	BH-7111-79	83178 1	Front Cross Tube Assembly
19	BH-7075-03L	80062 16	3/4 x 5-1/2 Wedge Anchor
20	BH-7110-23	81053 2	Passenger Front Column
21	BH-7101-57	81052 1	Driver Column Power Unit Mount
22	BH-7101-58	81051 1	Driver Column
23	BH-7111-87	83239 2	Adjusting Rod Straight Long
24	BH-7101-54	81088 1	Handle Assembly
25	BH-7111-31	83238 4	Pin Roller
26	BH-7111-30	83237 4	Roller
27	BH-7111-86	83440 2	Ramp Structure
28	BH-7111-28	83228 2	Plate Stand

Item SVI #	OEM #	Req.	Description
29	BH-7111-27	83460 2	Front Stop & Chock Structure
30	BH-7101-12	83222 4	Tube Spacer
31	BH-7101-09	60698 4	Knob
32	BH-7101-08	100290 4	Compression Spring
33	BH-7111-25	83218 4	Leg Structure 30" Long
33	BH-7111-26	83277 4	Leg Structure 24" Long
34	BH-7101-07	83221 4	Pull Pin
35	BH-7111-24	83243 4	Pin Chain
36	BH-7107-02	81529 50	Ball Bearing Retainer
37	BH-7107-01	83215 2	Slip Plate Retain Sheet
38	BH-7111-22	83211 2	Cover Structure Slip Plate
39	BH-7111-85	83183 1	RH Track Structure
40	BH-7111-84	83182 1	LH Track Structure
-	BH-7111-33	83247 1	Turntable Mounting Pkg Ammco/FMC/Hunter/Bee Line
41	BH-7111-38	83252 2	Spacer Structure / Ammco ...
42	BH-7111-40	83256 4	Adjusting Bar 1/2" / Ammco ...
-	BH-7111-34	83248 1	Turntable Mounting Pkg/Bear
43	BH-7111-39	83257 2	Spacer Structure / Bear
42	BH-7111-41	83259 4	Adjusting Bar 1/2" / Bear
44	BH-7111-42	82360 4	Adjusting Bar 1/8" / Bear
-	BH-7111-35	83249 1	Turntable Mounting Pkg / Bender
42	BH-7111-43	83261 4	Adjusting Bar 1/2" / JH Bender
44	BH-7111-44	83262 4	Adjusting Bar 1/4" / JH Bender
-	BH-7111-36	83250 1	Turntable Mounting Pk/Bishamon
43	BH-7111-39	83257 2	Spacer Structure / Bishamon
44	BH-7111-45	83263 4	Adjusting Bar 1/4" / Bishamon
-	BH-7111-37	83251 1	Turntable Mounting Pkg Snap on
42	BH-7111-46	83264 4	Adjusting Bar 1/2" Snap-On
44	BH-7111-47	83265 4	Adjusting Bar 1/4" Snap-On



**Compression Spring**  
**BH-7101-08**  
(Ref 100290)



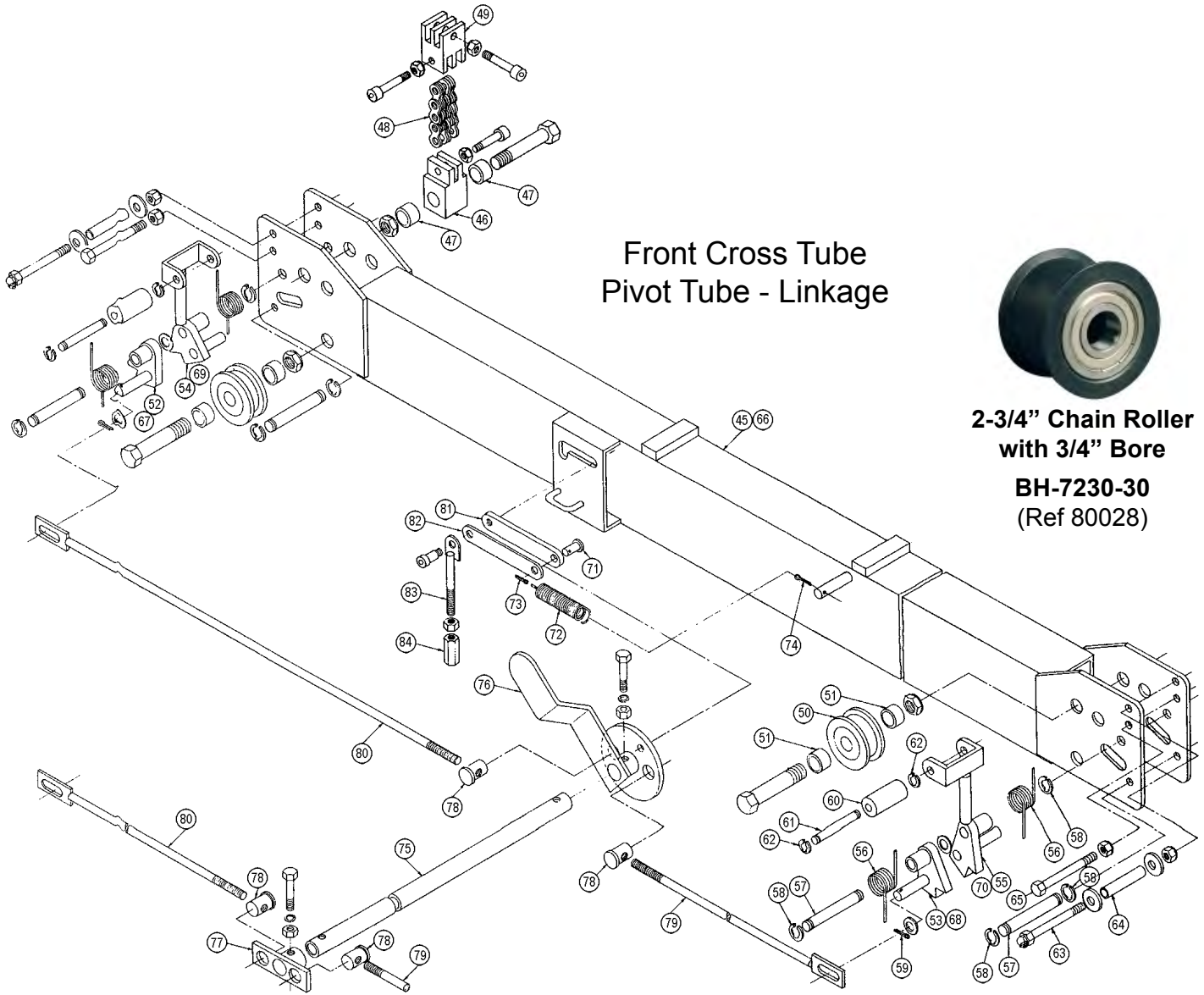
# For Model FAR 12

**DIRECTFIT™**  
SVI's DIRECT FIT™ BRAND

## Front Cross Tube Pivot Tube - Linkage



**2-3/4" Chain Roller  
with 3/4" Bore  
BH-7230-30  
(Ref 80028)**





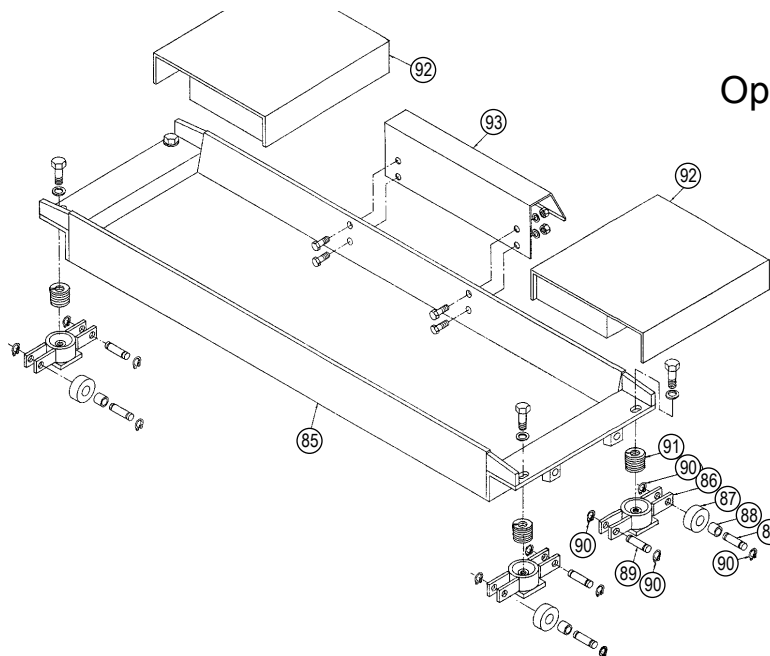
# For Model FAR 12

**DIRECTFIT™**  
SVI's DIRECT FIT™ BRAND

Item SVI #	OEM #	Req.	Description
- BH-7111-79	83178	1	Front Cross Tube Assy (#'s 45-65)
45 BH-7111-88	83179	1	Front Cross Tube Structure
46 BH-7101-70	81083	1	Lower Chain Retainer
47 BH-7101-69	81084	2	Spacer
48 BH-7101-68	81085	1	Chain Extension
49 BH-7101-45	81086	1	Upper Chain Retainer
<b>50 BH-7230-30</b>	<b>80025</b>	<b>2</b>	<b>2-3/4" Chain Roller 3/4" Bore</b>
<b>51 BH-7102-42</b>	<b>81067</b>	<b>4</b>	<b>Spacer</b>
52 BH-7110-12	81068	1	LH Latch Catch
53 BH-7110-11	81069	1	RH Latch Catch
54 BH-7110-17	81074	1	Latch Structure Slack Chain LH
55 BH-7110-24	81075	1	Latch Structure Slack Chain RH
<b>56 BH-7110-13</b>	<b>81072</b>	<b>4</b>	<b>Torsion Spring</b>
57 BH-7100-89	81073	4	Shaft 5/8"
58 BH-7100-88	100276	8	Retaining Ring
59 F-CP-125-0750	100175	2	Cotter Pin
60 BH-7102-38	81079	2	Roller
61 BH-7102-39	81080	2	Shaft 3/8"
62 BH-7100-86	80683	4	Retaining Ring 3/8"
63 BH-7110-18	81479	2	Hex Screw w/Grease Fitting
64 BH-7102-31	81176	2	Tube Spacer
65 F-HC-0375-16-4000	81081	2	Hex Screw
- BH-7111-80	83176	1	Rear Cross Tube Assembly See Front Tube Layout
46 BH-7101-70	81083	1	Lower Chain Retainer
47 BH-7101-69	81084	2	Spacer
48 BH-7101-68	81085	1	Chain Extension
49 BH-7101-45	80186	1	Upper Chain Retainer
<b>50 BH-7230-30</b>	<b>80028</b>	<b>2</b>	<b>2-3/4" Chain Roller 3/4" Bore</b>
51 BH-7102-42	81067	4	Spacer

Item SVI #	OEM #	Req.	Description
56 BH-7110-17	81072	4	Torsion Spring
57 BH-7100-89	81073	4	Shaft 5/8"
58 BH-7100-88	100276	8	Retaining Ring 5/8"
59 F-CP-125-0750	100175	2	Cotter Pin
60 BH-7102-38	81079	2	Roller
61 BH-7102-39	81080	2	Shaft 3/8"
62 BH-7100-86	80683	4	Retaining Ring 3/8"
63 BH-7110-18	81479	2	Hex Screw w/Grease Fitting
64 BH-7102-31	81176	2	Tube Spacer
65 F-HC-0375-16-4000	81081	2	Hex Screw
66* BH-7111-90	83177	1	Rear Cross Tube Structure
67* BH-7110-11	81069	1	RH Latch Catch
68* BH-7110-12	81068	1	LH Latch Catch
69* BH-7110-24	81075	1	RH Slack Chain
70* BH-7110-17	81074	1	LH Slack Chain
71 BH-7101-19	81103	1	Pin
72 BH-7110-14	100154	1	Spring
73 F-CP-125-0750	100175	1	Cotter Pin 3/4"
74 F-CP-125-1000	100190	1	Cotter Pin 1"
75 BH-7101-74	81112	1	Tube Structure Pivot
76 BH-7101-54	81088	1	Handle Assembly
77 BH-7101-72	81092	1	Pivot Structure Trip Release
78 BH-7110-20	81095	4	Pivot Pin
79 BH-7111-87	83239	2	Adjusting Rod Straight Long
80 BH-7111-92	83241	2	Adjusting Rod Straight Short
81 BH-7101-20	81102	1	Bar Tapped
82 BH-7101-22	81101	1	Bar
83 BH-7101-23	81251	1	Rod Structure 3/8"
84 BH-7105-09	81253	1	Nut

\* Not Pictured Correctly



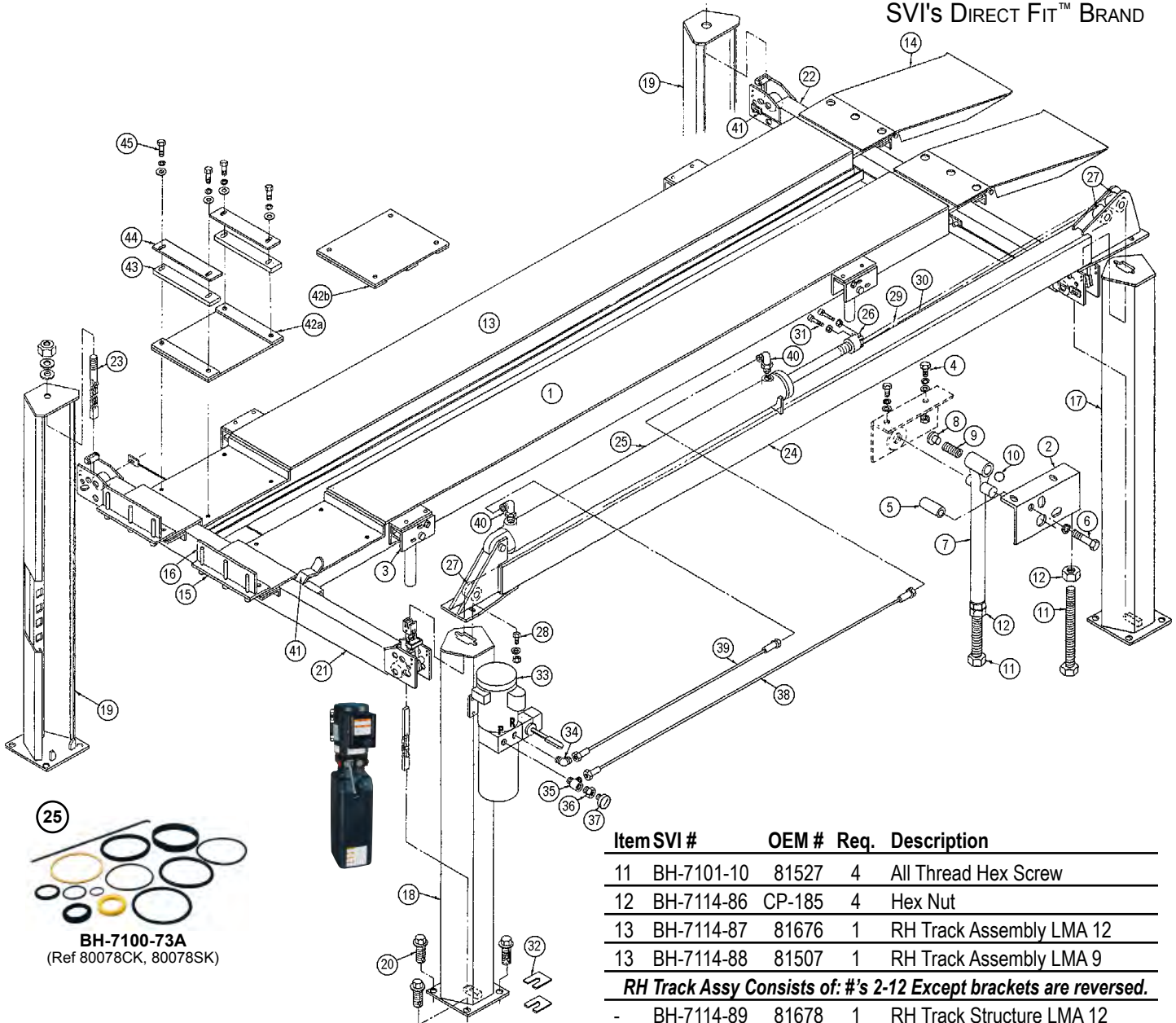
## Optional Jacking Channel Kit

Item SVI #	OEM #	Req.	Description
- BH-7111-53	83472	1	Jacking Channel
<b>One Channel Consists of:</b>			
- BH-7111-54	83473	1	Jacking Channel Assy
85 BH-7111-55	83413	1	Jacking Channel Structure
86 BH-7111-56	81550	4	Spring Support Structure
87 BH-7111-57	81556	4	Roller
88 BH-7111-58	81557	4	Bronze Bushing
89 BH-7111-59	81558	8	Pin
90 BH-7111-60	81559	16	Retaining Ring
91 BH-7111-61	81555	4	Die Spring
92 BH-7111-62	81570	2	Jack Support Structure
83 BH-7111-63	81574	1	Shield



For Models LMA 12, LMA 9

**DIRECTFIT™**  
SVI's DIRECT FIT™ BRAND



Item SVI #	OEM #	Req.	Description
11	BH-7101-10	81527	4 All Thread Hex Screw
12	BH-7114-86	CP-185	4 Hex Nut
13	BH-7114-87	81676	1 RH Track Assembly LMA 12
13	BH-7114-88	81507	1 RH Track Assembly LMA 9
<b><i>RH Track Assy Consists of: #'s 2-12 Except brackets are reversed.</i></b>			
-	BH-7114-89	81678	1 RH Track Structure LMA 12
-	BH-7114-90	81509	1 RH Track Structure LMA 9
2	BH-7114-81	81523	1 Bracket Structure (Rear)
3	BH-7114-82	81522	1 Bracket Structure (Front)
14	BH-7113-10	81537	2 Ramp Assembly
-	BH-7114-91	81538	2 Ramp Structure
-	BH-7114-92	81541	2 Ramp Pivot Structure
15	BH-7114-93	81662	2 Stop Support Structure Track
16	BH-7114-94	81665	2 Stop Structure
17	BH-7101-58	81051	1 Main Post Structure
18	BH-7101-57	81052	1 Post Str w/Power Unit Mount
19	BH-7110-23	81053	2 Offside Post Structure

Item SVI #	OEM #	Req.	Description
1	BH-7114-75	81675	1 LH Track Assembly LMA 12
1	BH-7114-76	81506	1 LH Track Assembly LMA 9
<b>LH Track Assembly Consists of: #'s 2-12</b>			
-	BH-7114-77	81677	1 LH Truck Structure LMA 12
-	BH-7114-78	81508	1 LH Truck Structure LMA 9
2	BH-7114-79	81522	1 Bracket Structure (Rear)
3	BH-7114-81	81523	1 Bracket Structure (Front)
4	BH-7114-82	12970	4 Hex Screw
5	BH-7114-83	81532	2 Stop Roller
6	BH-7114-80	81528	2 Hex Screw
7	BH-7114-84	81533	2 Leg Structure
8	BH-7114-85	81531	2 Plunger Spring
9	BH-7113-25	81530	2 Compression Spring
10	BH-7107-02	81529	2 Ball Bearing

P  
a  
g  
e  
46

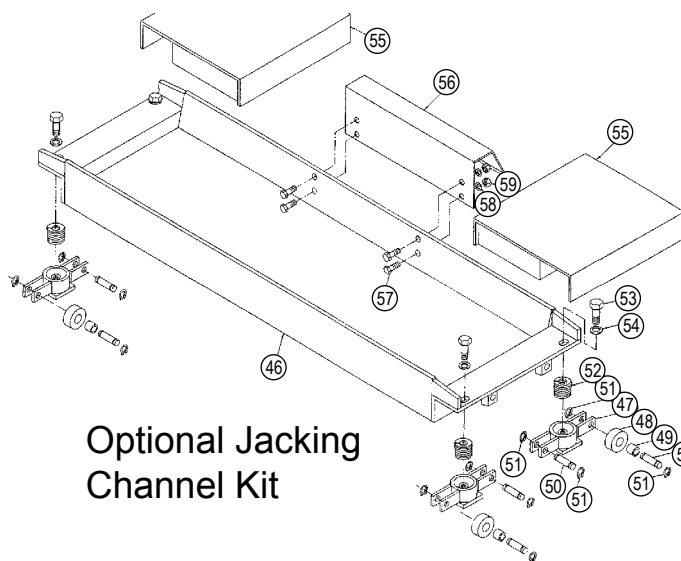


# For Models LMA 12, LMA 9

**DIRECTFIT™**  
SVI's DIRECT FIT™ BRAND

Item SVI #	OEM #	Req.	Description
20	BH-7075-03L 80062	16	3/4 x 5-1/2 Wedge Anchor
21*	BH-7114-64 81672	1	Front Cross Tube Assy LMA 12
21*	BH-7114-65 81502	1	Front Cross Tube Assy LMA 9
-	BH-7114-66 81674	1	Front Cross Tube Str. LMA 12
-	BH-7114-67 81504	1	Front Cross Tube Str. LMA 9
22*	BH-7114-68 81671	1	Rear Cross Tube Assy LMA 12
22*	BH-7114-69 81501	1	Rear Cross Tube Assy LMA 9
-	BH-7114-70 81673	1	Rear Cross Tube Str LMA 12
-	BH-7114-71 81503	1	Rear Cross Tube Str LMA 9
23	BH-7100-96 80152	2	Cross Chain Assy LMA 12
	BH-7114-73 80029	1	Chain
	BH-7101-51 80139	2	Connecting Link
	BH-7101-49 80023	1	Adjusting Stud
23	BH-7114-72 80153	2	Cross Chain Assy LMA 9
	BH-7114-74 80085	1	Chain
	BH-7101-51 80139	2	Connecting Link
	BH-7101-49 80023	1	Adjusting Stud
24	BH-7100-95 80001	1	Upper Horizontal Tube Str LMA 12
24	BH-7101-79 80073	1	Upper Horizontal Tube Str LMA 9
25	BH-7100-68 80078	1	Hydraulic Cylinder
-	BH-7100-73A 80078CK	1	Seal Kit
26	BH-7101-25 80079	1	Cylinder End Connector
27	BH-7230-30 80028	3	2-3/4" Chain Roller 3/4" Bore
28	BH-7110-78 80453	4	Hex Screw
29	BH-7111-82 81117	1	Leaf Chain Short LMA 12
29	BH-7111-45 81108	1	Leaf Chain Short LMA 9
30	BH-7111-83 81118	1	Leaf Chain Long LMA 12
30	BH-7111-46 81109	1	Leaf Chain Long LMA 9
31	F-SC-0312-18-2000 80756	2	Cap Screw
32	BH-7512-92 80589	1	Shim Kit 150 pcs, 3 Sizes
<b>33</b>	<b>BH-7006-01</b>	<b>1</b>	<b>Power Unit 1 PH, 2 HP</b>
34	BH-7101-64 80133	1	90° Elbow
35	BH-7101-63 80132	1	Male Branch Tee

Item SVI #	OEM #	Req.	Description
36	BH-7101-62 CP-2878	1	Bushing
37	BH-7101-61 80124	1	Dry Pressure Gauge
38	BH-7101-60 80125	1	Long Hose Assy 1/2 ID
39	BH-7100-93 80126	1	Short Hose Assy 1/2 ID
40	BH-7101-59 80131	2	90° Male Elbow
41*			Handle Pivot Tube Linkage
-	BH-7114-95 81591	1	Turntable Mounting Pkg Ammco/FMC/Hunter
42b	BH-7114-96 81596	2	Spacer Structure / Ammco ...
43	BH-7114-97 81599	4	Adjusting Bar 1/2" / Ammco ...
45	BH-7114-98 15810	8	Hex Screw / Ammco ...
-	BH-7114-99 81592	1	Turntable Mounting Pkg / Bear
42a	BH-7115-00 81583	2	Spacer Structure / Bear
43	BH-7115-01 81586	4	Adjusting Bar 1/2" / Bear
44	BH-7115-02 81587	4	Adjusting Bar 1/8" / Bear
45	BH-7114-98 15810	8	Hex Screw / Bear
-	BH-7115-03 81593	1	Turntable Mount Pkg / Bender
43	BH-7115-04 81658	4	Adjusting Bar 1/2" / JH Bender
44	BH-7114-05 81659	4	Adjusting Bar 1/4" / JH Bender
45	BH-7114-98 15810	8	Hex Screw / JH Bender
-	BH-7115-06 81594	1	Turntable Mount Pkg/Bishamon
42a	BH-7115-07 81655	2	Spacer Structure / Bishamon
44	BH-7115-08 81657	4	Adjusting Bar 1/4" / Bishamon
45	BH-7114-98 15810	8	Hex Screw / Bishamon
-	BH-7115-09 81595	1	Turntable Mount Pkg / Snap-On
43	BH-7115-10 81660	4	Adjusting Bar 1/2" / Snap-On
44	BH-7115-11 81661	4	Adjusting Bar 1/4" / Snap-On
45	BH-7114-98 15810	8	Hex Screw / Snap-On
#	BH-7115-12 81579	1	LH Tire Chock Structure
#	BH-7115-13 81580	1	RH Tire Chock Structure
* See LMT 12 & LMT 9 breakdowns on pages 55 & 56 for parts list.			
# Not Pictured			
Item SVI #	OEM #	Req.	Description
-	BH-7115-14 81575	1	Jacking Channel Kit Consists of:
-	BH-7115-15 81544	1	Jacking Channel Assembly
46	BH-7115-16 81545	1	Jacking Channel Structure
47	BH-7111-56 81550	4	Spring Support Structure
48	BH-7111-57 81556	4	Roller
49	BH-7111-58 81557	4	Bronze Bushing
50	BH-7111-59 81558	8	Pin
51	BH-7111-60 81559	16	Retaining Ring
52	BH-7111-61 81555	4	Die Spring
53	BH-7115-17 14906	4	Hex Screw
54	BH-7115-18 CP-8758	4	Flat Washer
55	BH-7111-62 81570	2	Jack Support Structure
56	BH-7111-63 81574	1	Shield
57	BH-7115-19 CP-8953	4	Hex Screw
58	BH-7115-20 CP-69	4	Lock Washer
59	BH-7115-21 CP-68	4	Hex Nut

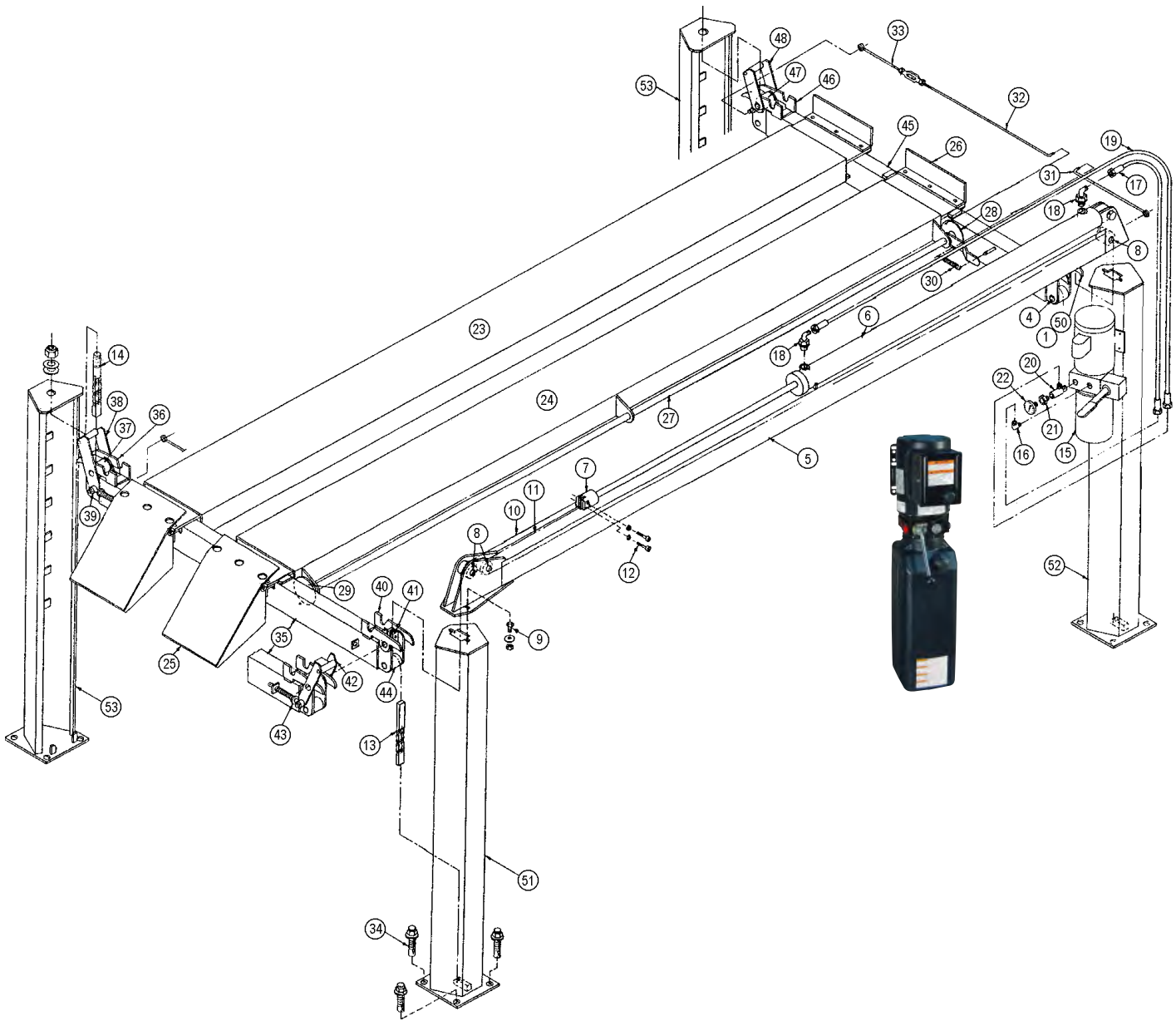


Optional Jacking Channel Kit



# For Model LMT 6

**DIRECTFIT™**  
SVI's DIRECT FIT™ BRAND





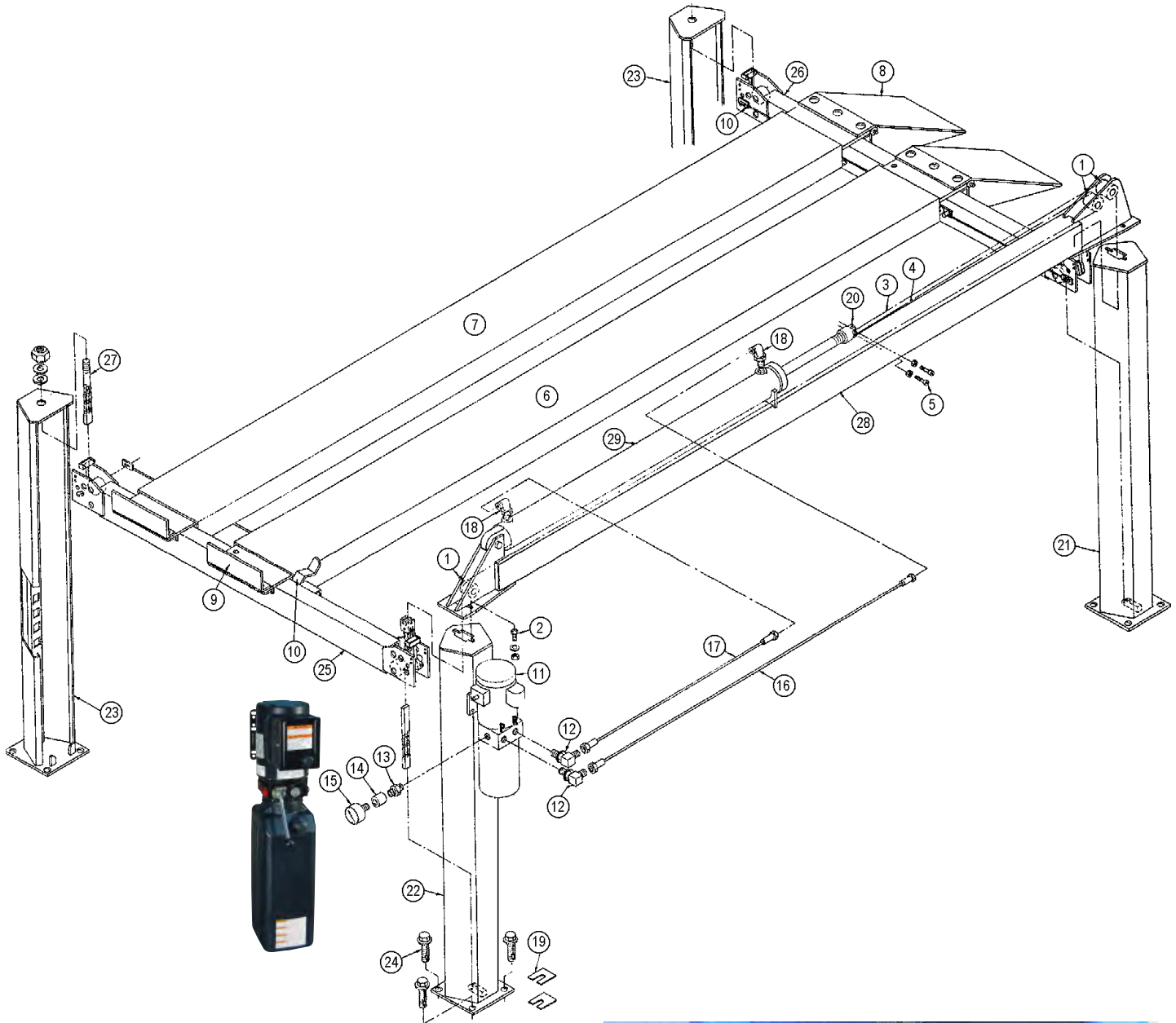
# For Model LMT 6

**DIRECTFIT™**  
SVI's DIRECT FIT™ BRAND

ItemSVI #	OEM #	Req.	Description
1	BH-7114-14	80619	1 Chain Retainer
2*	BH-7114-19	80790	1 Slack Chain Structure
3*	BH-7114-12	80797	1 Rod Structure Tension
4	BH-7230-30	80028	1 2-3/4" Chain Roller 3/4" Bore
5	BH-7114-20	80599	1 Upper Horizontal Tube Structure
6	BH-7114-21	80607	1 Hydraulic Cylinder 66" Stroke
*	BH-7114-22	80608	1 Cylinder Seal Kit
7	BH-7114-23	80606	1 Cylinder End Connector
8	BH-7230-30	80028	1 2-3/4" Chain Roller 3/4" Bore
9	BH-7110-78	80453	4 Hex Screw
10	BH-7114-24	80638	1 Leaf Chain, Short
11	BH-7114-25	80637	1 Leaf Chain, Long
12	BH-7100-98	80063	4 Cap Screw
-	BH-7114-26	80635	2 Cross Chain Assy w/Adj Stud
13	BH-7114-27	80636	1 Chain
	BH-7101-51	80139	2 Connecting Link
14	BH-7101-49	80023	1 Special Stud
<b>15</b>	<b>BH-7006-01</b>		<b>1 Power Unit 1 PH, 2 HP</b>
16	BH-7101-64	80133	1 90° Male Elbow
17	BH-7100-93	80126	1 Short Hose Assy 1/2 ID
18	BH-7101-59	80131	2 90° Male Elbow
19	BH-7101-60	80125	1 Long Hose Assy 1/2 ID
20	BH-7101-63	80132	1 Male Branch Tee
21	BH-7101-62 CP-2878		1 Reducer Bushing
22	BH-7101-61	80124	1 Dry Pressure Gauge
23	BH-7114-28	80622	1 Track Structure LH
24	BH-7114-29	80623	1 Track Structure RH
25	BH-7100-55	80631	2 Ramp Structure
26	BH-7100-52	80629	2 Track Stop Angle
	BH-7100-53	80630	2 Angle Retainer
27	BH-7114-30	80633	1 Trip Release Tube
28	BH-7114-31	80533	1 Trip Release Handle Structure

ItemSVI #	OEM #	Req.	Description
29	BH-7114-32	80537	1 Trip Release Pivot Structure
30	BH-7101-75 CP-1587		1 Spring
31	BH-7114-33	80640	2 Trip Linkage Rod Structure, Short
32	BH-7114-34	80639	2 Trip Linkage Rod, Long
33	BH-7114-35	80105	2 Turnbuckle Assembly
	BH-7114-36	80099	1 Rod End Structure
	BH-7114-37	80096	1 Turnbuckle
34	BH-7075-03L	80062	16 3/4 x 5-1/2 Wedge Anchor
-	BH-7114-08	80610	1 Rear Cross Tube Assy #s 35-44
35	BH-7114-09	80612	1 Rear Cross Tube Structure
36	BH-7114-10	80616	1 Catch Structure
37	BH-7230-30	80028	1 2-3/4" Chain Roller 3/4" Bore
38	BH-7114-11	80792	1 Slack Chain Structure
39	BH-7114-12	80797	1 Rod Structure Tension
40	BH-7114-13	80617	1 Catch Structure
41	BH-7114-14	80619	1 Chain Retainer
42	BH-7114-15	80789	1 Slack Chain Structure
43	BH-7114-12	80787	1 Rod Structure Tension
44	BH-7230-30	80028	1 2-3/4" Chain Roller 3/4" Bore
-	BH-7114-16	80611	1 Front Cross Tube Assembly #s 45 - 50 & 1 - 4
45	BH-7114-17	80613	1 Front Cross Tube Structure
46	BH-7114-13	80617	1 Catch Structure
47	BH-7230-30	80028	1 2-3/4" Chain Roller 3/4" Bore
48	BH-7114-18	80791	1 Slack Chain Structure
49*	BH-7114-12	80797	1 Rod Structure Tension
50	BH-7114-10	80616	1 Catch Structure
51	BH-7114-05	80591	1 Post Structure Main
52	BH-7114-06	80592	1 Post Structure Main Pwr. Unit Mount
53	BH-7114-07	80593	2 Post Structure Offside
*	BH-7114-38	80050	1 Tire Chock Structure
* Not Pictured			

# For Models LMT 12, SST 12, LMT 9, SST 9 **DIRECTFIT™** SVI's DIRECT FIT™ BRAND





# For Models LMT 12, SST 12, LMT 9, SST 9 **DIRECTFIT™** SVI's DIRECT FIT™ BRAND

Item SVI #	OEM #	Req.	Description
1	BH-7230-30	80028	3 2-3/4" Chain Roller 3/4" Bore
2	BH-7110-78	80453	4 Hex Screw
3	BH-7111-82	81117	1 Leaf Chain Short LMT 12
3	BH-7114-45	81108	1 Leaf Chain Short SST 12, LMT 9, SST 9
4	BH-7111-83	81118	1 Leaf Chain Long LMT 12
4	BH-7114-46	81109	1 Leaf Chain Short SST 12, LMT 9, SST 9
5	BH-7100-98	80063	2 Cap Screw
6	BH-7100-59	81111	1 LH Track Structure LMT 12
6	BH-7114-47	81327	1 LH Track Structure SST 12
6	BH-7101-78	81058	1 LH Track Structure LMT 9, SST 9
7	BH-7100-58	80102	1 RH Track Structure LMT 12
7	BH-7114-48	81328	1 RH Track Structure SST 12
7	BH-7101-77	80112	1 RH Track Structure LMT 9, SST 9
8	BH-7100-54	81340	2 Ramp Assembly
	BH-7100-55	80631	2 Ramp Structure
	BH-7100-56	80069	2 Rod (Ramp to Pivot)
	BH-7100-57	80627	2 Ramp Pivot Structure
9	BH-7100-52	80629	2 Track Stop Angle
	BH-7100-53	80630	2 Angle Retainer
10	See Breakdown		1 Handle Pivot Tube Linkage
<b>11</b>	<b>BH-7006-01</b>	<b>1</b>	<b>Power Unit 1PH, 2 HP</b>
12	BH-7110-63	82056	2 90° Male Elbow
13	BH-7111-71	61496	1 Hex Nipple
14	BH-7111-65	82066	1 Coupling
15	BH-7101-61	80124	1 Dry Pressure Gauge
16	BH-7101-60	80125	1 Hose Assembly 1/2 ID Long
17	BH-7100-93	80126	1 Hose Assembly 1/2 ID Short
18	BH-7101-59	80131	2 90° Male Elbow
19	BH-7512-92	80589	1 Shim Kit 150 pcs, 3 Sizes
20	BH-7101-25	80079	1 Cylinder End Connector
21	BH-7101-58	81051	1 Post Structure Main

Item SVI #	OEM #	Req.	Description
22	BH-7101-57	81052	1 Post Structure Main Pwr. Unit Mount
23	BH-7110-23	81053	2 Post Structure Offside
24	BH-7075-03L	80062	16 3/4 x 5-1/2 Wedge Anchor
25	BH-7101-56	81120	1 Front Cross Tube Assy LMT 12
25	BH-7101-82	81060	1 Front Cross Tube SST 12, LMT 9
25	BH-7114-39	81129	1 Front Cross Tube Assy SST 9
26	BH-7100-99	81119	1 Rear Cross Tube Assy LMT 12
26	BH-7101-81	81059	1 Rear Cross Tube SST 12, LMT 9
26	BH-7114-40	81128	1 Rear Cross Tube Assy SST 9
27	BH-7111-81	81721	2 Cross Chain Assembly LMT 12
	BH-7101-80	81722	1 Chain
	BH-7101-49	80023	1 Chain Retainer Bolt
	BH-7101-51	80139	1 Connecting Link
27	BH-7114-41	81723	2 Cross Chain Assy SST 12, LMT 9
	BH-7114-43	81724	1 Chain
	BH-7101-49	80023	1 Chain Retainer Bolt
	BH-7101-51	80139	1 Connecting Link
27	BH-7114-42	81725	2 Cross Chain Assembly SST 9
	BH-7114-44	81726	1 Chain
	BH-7101-49	80023	1 Chain Retainer Bolt
	BH-7101-51	80139	1 Connecting Link
28	BH-7100-95	80001	1 Upper Horizontal Tube LMT 12
28	BH-7101-79	80073	1 Upper Horizontal Tube SST 12, LMT 9, SST 9
29	BH-7100-68	80078	1 Hydraulic Cylinder
	BH-7100-83A	80026CK	1 Seal Kit LMT 12 & LMT 9 Serial # <22316
	BH-7100-73A	80078CK	1 Seal Kit LMT 12 & LMT 9 Serial # >22316
	BH-7100-73A	80078CK	1 Seal Kit SST 12 & SST 9
*	BH-7114-49	80980	1 Free Wheeler Device Assembly
	BH-7112-73	80335	2 Narrow Side Assembly
*	BH-7114-50	83088	1 Muffler Guard Kit



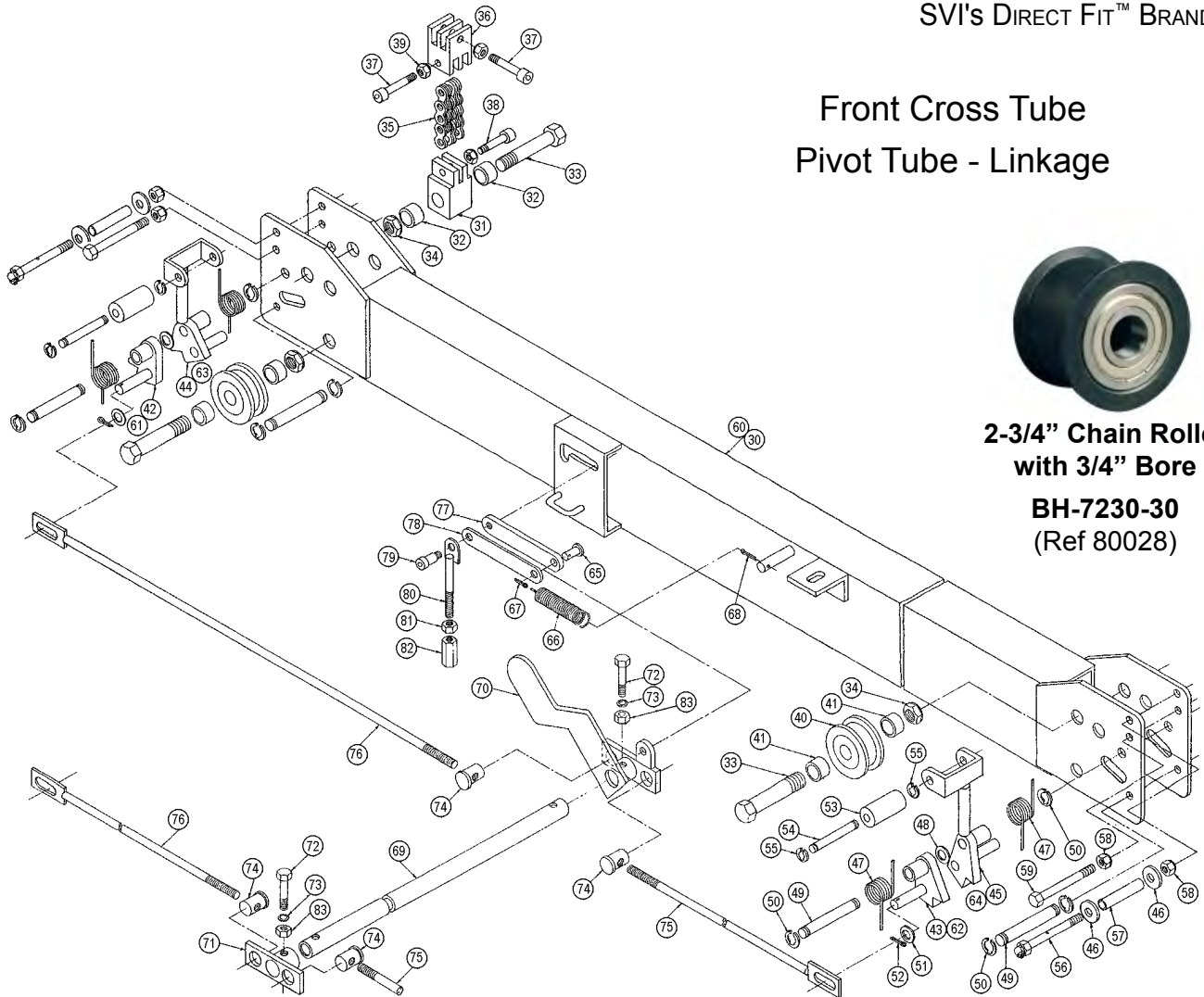
**Seal Kit**  
for LMT12 and LMT9  
Serial # >22316  
**BH-7100-73A**  
(Ref 80078CK, 80078SK)

Many Seal Kits Available—  
Contact SVI today!

For Models LMT 12, SST 12, LMT 9, SST 9 **DIRECTFIT™**

SVI's DIRECT FIT™ BRAND

Front Cross Tube  
Pivot Tube - Linkage



**2-3/4" Chain Roller  
with 3/4" Bore  
BH-7230-30  
(Ref 80028)**

**Front Cross Tube**

Item SVI #	OEM #	Req.	Description
<b>-- Front Cross Tube Assemblies Consist of Item #s 30-59</b>			
-	BH-7101-56	81120	1 Front Cross Tube Assy LMT 12
-	BH-7101-82	81060	1 Front Cross Tube Assy LMT9/SST12
-	BH-7114-39	81129	1 Front Cross Tube Assy SST 9
30	BH-7101-71	81122	1 Front Cross Tube Structure LMT 12
30	BH-7101-83	81062	1 Front Cross Tube Str. LMT 9 SST 12
30	BH-7114-51	81131	1 Front Cross Tube Str. SST 9
31	BH-7101-70	81083	1 Lower Chain Retainer
32	BH-7101-69	81084	2 Spacer
33	BH-7102-41	80033	3 Hex Screw
34	BH-7102-00	80034	3 Nylock Thin Nut
35	BH-7101-68	81085	1 Chain Extension
36	BH-7101-45	81086	1 Upper Chain Retainer
37	F-SC-0312-18-2000	80756	2 Cap Screw
38	F-SC-0312-18-1750	81185	1 Cap Screw
39	BH-7113-95	80064	3 Nylock Hex Nut
<b>40</b>	<b>BH-7230-30</b>	<b>80028</b>	<b>2 2-3/4" Chain Roller 3/4" Bore</b>
41	BH-7102-42	81067	4 Spacer

Item SVI #	OEM #	Req.	Description
42	BH-7110-12	81068	1 Latch Catch LH
43	BH-7110-11	81069	1 Latch Catch RH
44	BH-7110-17	81074	1 Slack Cable Latch
45	BH-7110-24	81074	1 Slack Cable Latch
46	BH-7102-11	81206	4 Flat Washer
47	BH-7110-13	81072	4 Torsion Spring
48	BH-7102-30	100155	2 Flat Washer
49	BH-7100-89	81073	4 Shaft
50	BH-7100-88	100276	8 Retaining Ring
51	BH-7110-26	100062	2 Flat Washer
52	F-CP-125-0750	100175	2 Cotter Pin
53	BH-7102-38	81079	2 Roller
54	BH-7102-39	81080	2 Shaft
55	BH-7100-86	80683	4 Retaining Ring
56	BH-7110-18	81479	2 Hex Screw w/Grease Fitting
57	BH-7102-31	81176	2 Tube Spacer
58	F-NL-0375-16	81082	4 Nylock Hex Nut
59	F-HC-0375-16-4000	81081	2 Hex Screw





# For Models LMT 12, SST 12, LMT 9, SST 9 **DIRECTFIT™** SVI's DIRECT FIT™ BRAND

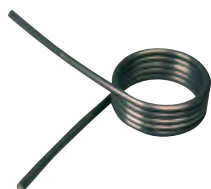
## Rear Cross Tube

Item SVI #	OEM #	Req.	Description
<b>-- Rear Cross Tube Assembly - See Front Tube Layout</b>			
- BH-7100-99	81119	1	Rear Cross Tube Assy LMT 12
- BH-7101-81	81059	1	Rear Cross Tube Assy LMT 9 SST 12
- BH-7114-40	81128	1	Rear Cross Tube Assy SST 9
31 BH-7101-70	81083	1	Lower Chain Retainer
32 BH-7101-69	81084	2	Spacer
33 BH-7102-41	80033	3	Hex Screw
34 BH-7102-00	80034	3	Nylock Thin Nut
35 BH-7101-68	81085	1	Chain Extension
36 BH-7101-45	81086	1	Upper Chain Retainer
37 F-SC-0312-18-2000	80756	2	Cap Screw
38 F-SC-0312-18-1750	81185	1	Cap Screw
39 BH-7113-95	80064	3	Nylock Hex Nut
40 BH-7230-30	80028	2	2-3/4" Chain Roller 3/4" Bore
41 BH-7102-42	81067	4	Spacer
46 BH-7102-11	81206	4	Flat Washer
47 BH-7110-13	81072	4	Torsion Spring
48 BH-7102-30	100155	2	Flat Washer
49 BH-7100-89	81073	4	Shaft
50 BH-7100-88	100276	8	Retaining Ring
51 BH-7110-26	100062	2	Flat Washer
52 F-CP-125-0750	100175	2	Cotter Pin
53 BH-7102-38	81079	2	Roller
54 BH-7102-39	81080	2	Shaft
55 BH-7100-86	80683	4	Retaining Ring
56 BH-7110-18	81479	2	Hex Screw w/Grease Fitting
57 BH-7102-31	81176	2	Tube Spacer
58 F-NL-0375-16	81082	4	Nylock Hex Nut
59 F-HC-0375-16-4000	81081	2	Hex Screw
60* BH-7101-76	81121	1	Rear Cross Tube Str. LMT 12
60* BH-7101-85	81061	1	Rear Cross Tube Str. LMT 9 SST 12
60* BH-7114-52	81130	1	Rear Cross Tube Str. SST 9
61* BH-7110-11	81069	1	Latch Catch RH
62* BH-7110-12	81068	1	Latch Catch LH
63* BH-7110-24	81075	1	Slack Cable Latch
64* BH-7110-17	81074	1	Slack Cable Latch

## Pivot Tube - Linkage

Item SVI #	OEM #	Req.	Description
65 BH-7101-19	81103	1	Pin
66 BH-7110-14	100154	1	Spring
67 F-CP-125-0750	100175	1	Cotter Pin
68 F-CP-125-1000	100190	1	Cotter Pin
69 BH-7101-74	81112	1	Tube Structure Pivot LMT 12
69 BH-7101-84	81087	1	Tube Str. Pivot LMT 9, SST 12, SST 9
70 BH-7101-54	81088	1	Trip Release Handle Structure
71 BH-7101-72	81092	1	Trip Release Pivot Structure
72 BH-7101-55	81483	2	Hex Screw
73 BH-7112-24	100159	2	Lock Washer
74 BH-7110-20	81095	4	Pivot Pin
75 BH-7110-21	81115	2	Adjusting Rod Str <b>Short</b> LMT 12
75 BH-7114-57	81099	2	Adj. Rod Str <b>Short</b> LMT 9 SST 12
75 BH-7114-56	81707	2	Adjusting Rod Str <b>Short</b> SST 9
76 BH-7110-22	81113	2	Adj. Rod Str, <b>Long</b> LMT 12, <b>103"</b>
76 BH-7106-05	81096	2	Adj. Rod Str <b>Long</b> LMT 9 SST 12
76 BH-7114-55	81139	2	Adjusting Rod Str, <b>Long</b> SST 9
77 BH-7101-220	81102	1	Bar Tapped
78 BH-7101-22	81101	1	Bar
79 BH-7101-24	81107	1	Bolt
80 BH-7101-23	81251	1	Rod Structure
81 BH-7105-08	100127	1	Hex Nut
82 BH-7105-09	81253	1	Nut
83 BH-7112-23	100102	2	Hex Nut

\* Not Pictured Correctly

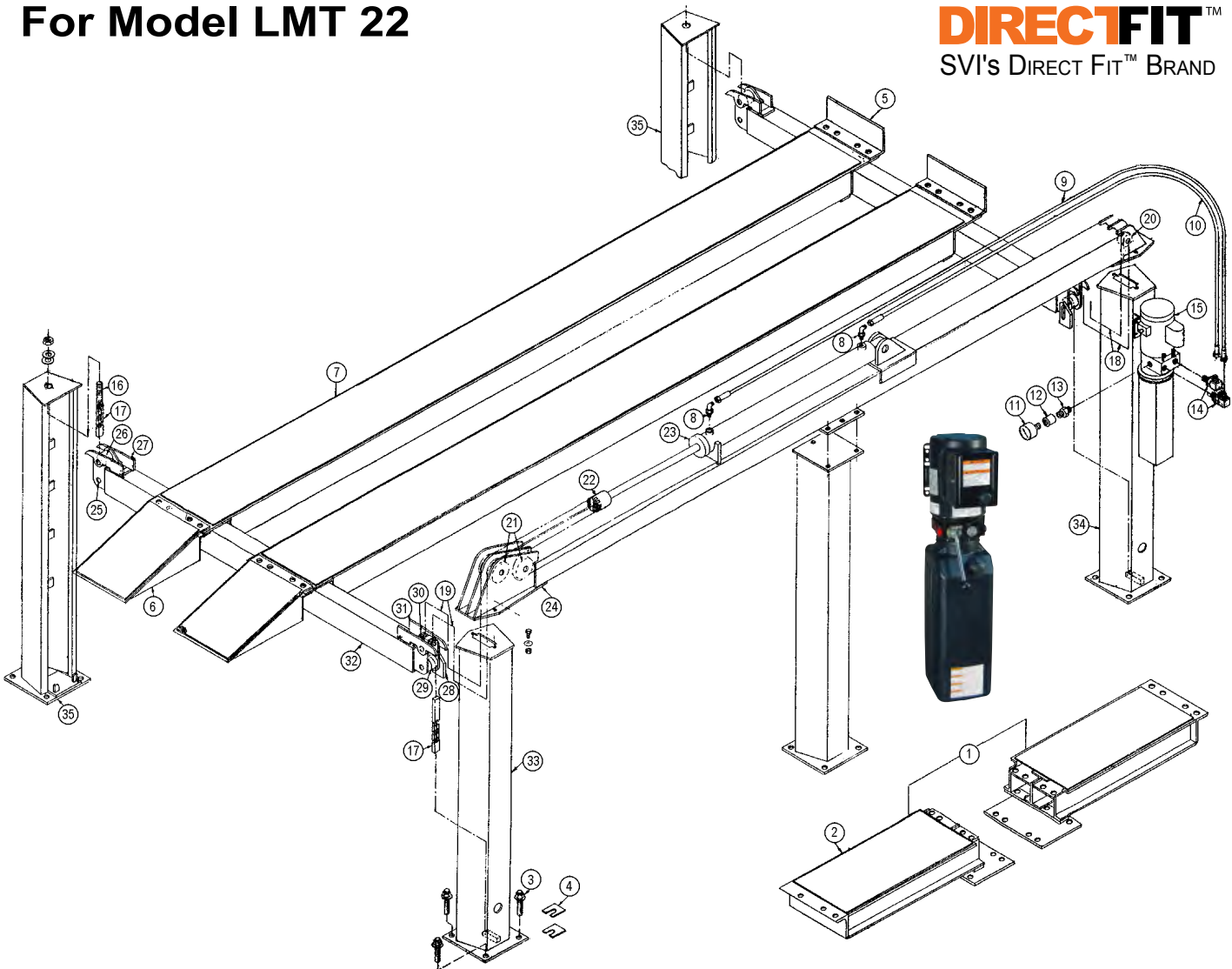


**Safety Latch Spring**  
**BH-7110-13**  
(Ref 81072)



For Model LMT 22

**DIRECTFIT™**  
SVI's DIRECT FIT™ BRAND



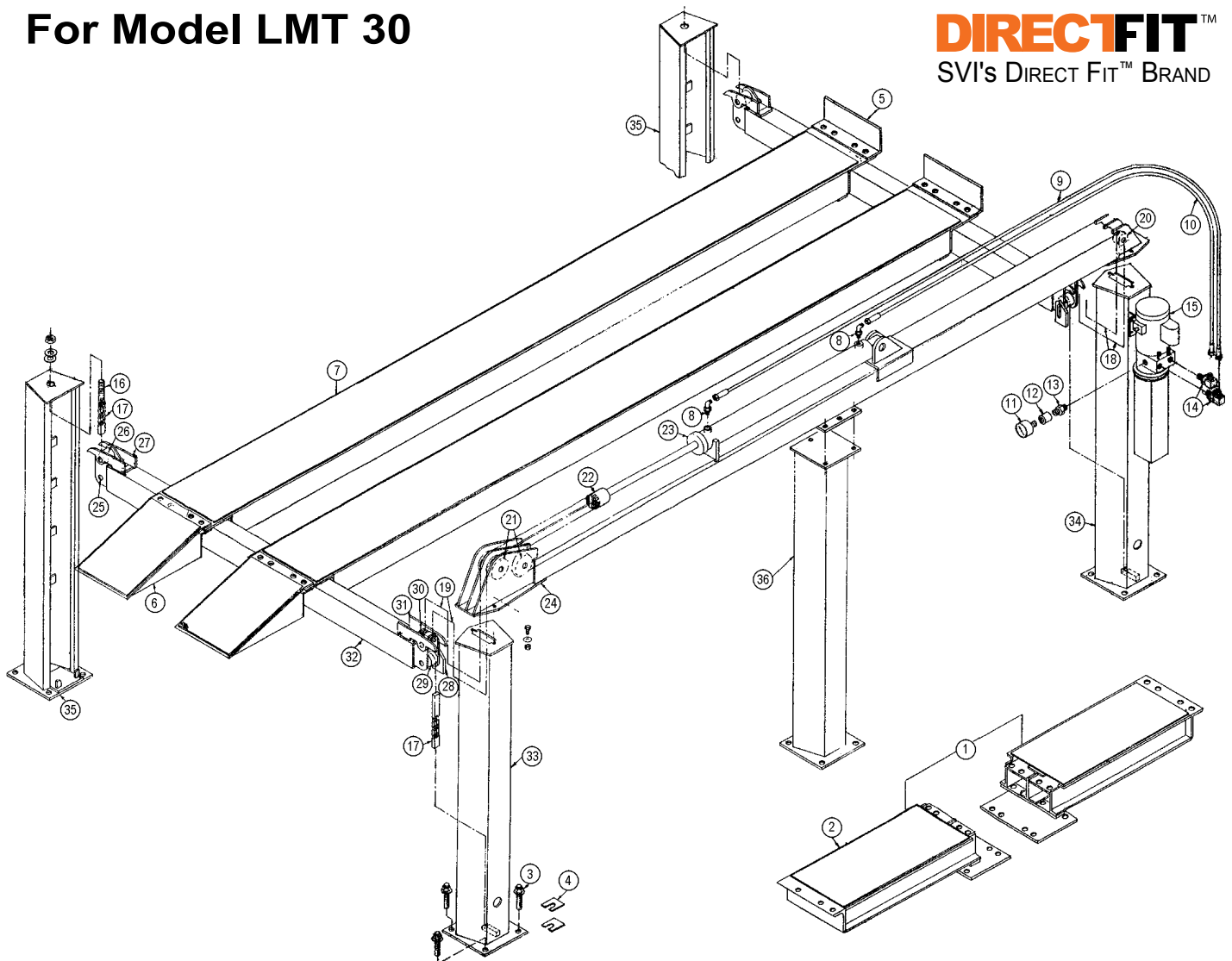
Item SVI #	OEM #	Req.	Description
1	BH-7111-98	80440	1 6' Track Extension
2	BH-7111-97	80811	1 3' Track Extension
3	BH-7075-03L	80062	16 3/4 x 5-1/2 Wedge Anchor
4	BH-7512-92	80589	1 Shim KIT 150 pcs, 3 sizes
5	BH-7101-88	80421	2 Stop Track
-	BH-7111-96	80435	1 Chock Structure
6	BH-7101-87	80422	2 Ramp Structure
7	BH-7101-89	80414	2 Track Structure
8	BH-7101-59	80131	2 90° Male Elbow
9	BH-7101-91	80365	1 Hose Assembly 180" Long
10	BH-7101-92	80364	1 Hose Assembly 120" Long
11	BH-7101-61	80124	1 Dry Pressure Gauge
12	BH-7111-65	82066	1 Pipe Coupling (MTE)
13	BH-7111-71	61496	1 Pipe Nipple (MTE)
14	BH-7110-63	82056	2 90° Male Elbow
15	<b>BH-7006-01</b>	<b>1</b>	<b>Power Unit 1PH, 2 HP</b>
16	BH-7101-32	80430	1 Stud Chain Retainer
17	BH-7111-95	81966	1 Chain
18	BH-7111-93	80433	2 Leaf Chain Long

Item SVI #	OEM #	Req.	Description
-	BH-7111-94	81965	2 Cross Chain Assy (# 16 & 17)
19	BH-7112-02	80432	2 Leaf Chain Short
20	BH-7230-30	80028	2 2-3/4" Chain Roller 3/4" Bore
21	BH-7101-94	80225	4 Roller Assembly
22	BH-7101-96	80412	1 Chain Connector
23	BH-7112-01	80410	1 Hydraulic Cylinder
-	BH-7100-65	80410CK	1 Replacement Seal Kit
24	BH-7101-98	80465	1 Upper Horizontal Tube Structure
25	BH-7101-99	80391	1 Trip
26	BH-7230-30	80028	1 2-3/4" Chain Roller 3/4" Bore
27	BH-7101-18	80832	1 Catch Structure
28	BH-7101-99	80391	1 Trip
29	BH-7230-30	80028	1 2-3/4" Chain Roller 3/4" Bore
30	BH-7104-02	80388	1 Chain Anchor
31	BH-7101-18	80832	1 Catch Structure
-	BH-7112-19	80377	2 Cross Member Assy (#25-32)
32	BH-7102-52	80378	1 Cross Member Structure
33	BH-7112-00	81963	1 Passenger Rear Column
34	BH-7111-99	81962	1 Passenger Front w/Power Unit
35	BH-7102-55	80366	2 Driver Column

Page 54

# For Model LMT 30

**DIRECTFIT™**  
SVI's DIRECT FIT™ BRAND



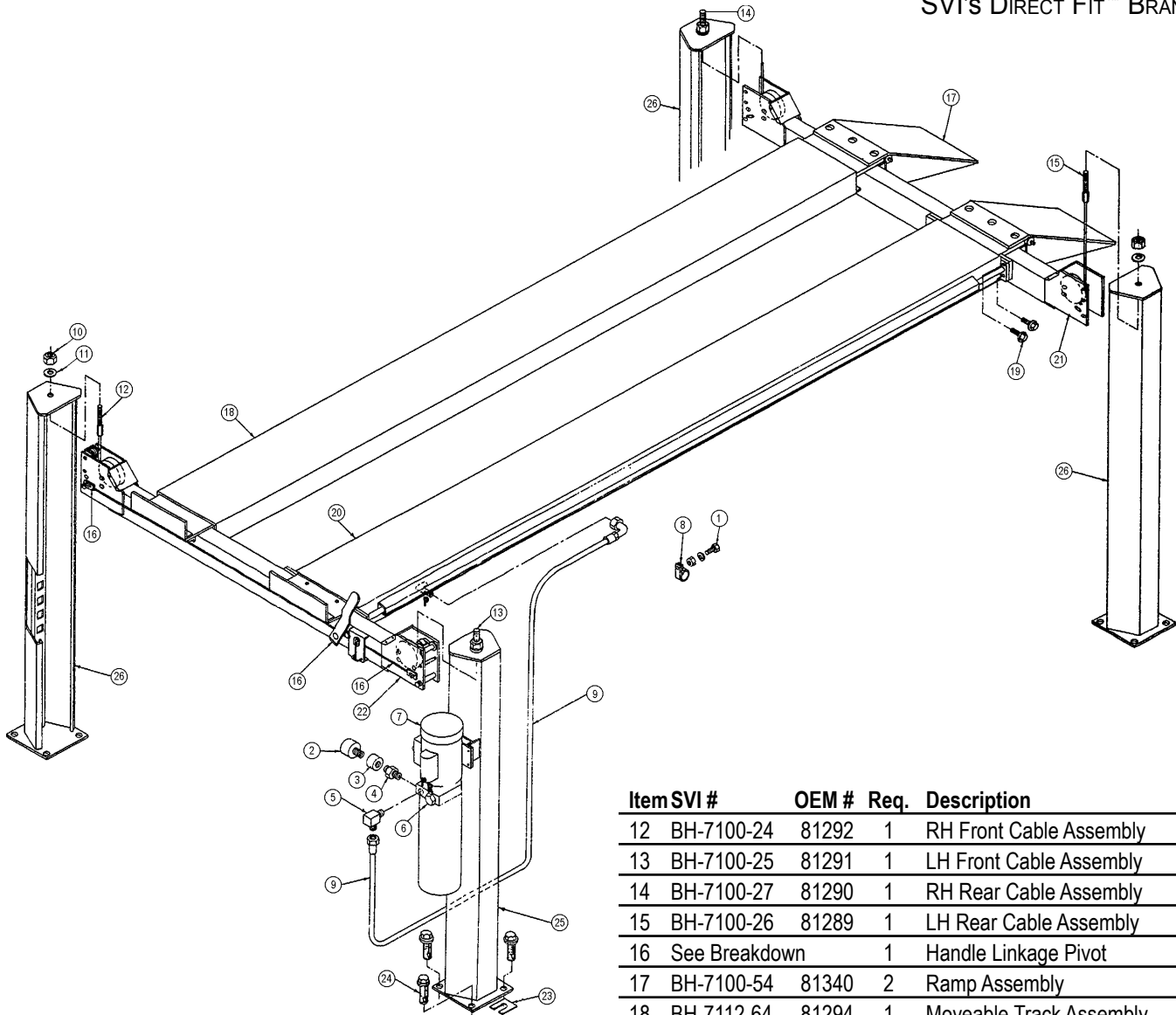
Item SVI #	OEM #	Req.	Description
1	BH-7111-98	80440	1 6' Track Extension
2	BH-7111-97	80811	1 3' Track Extension
3	BH-7075-03L	80362	20 3/4 x 5-1/2 Wedge Anchor
4	BH-7512-92	80589	2 Shim Kit 150 pcs, 3 sizes
5	BH-7101-88	80421	2 Stop Track
-	BH-7111-96	80435	1 Chock Structure
6	BH-7101-87	80422	2 Ramp Structure
7	BH-7101-89	80414	2 Track Structure
8	BH-7101-59	80131	2 90° Male Elbow
9	BH-7101-91	80365	1 Hose Assembly 180" Long
10	BH-7101-92	80364	1 Hose Assembly 120" Long
11	BH-7101-61	80124	1 Dry Pressure Gauge
12	BH-7111-65	82066	1 Pipe Coupling (MTE)
13	BH-7111-71	61496	1 Pipe Nipple (MTE)
14	BH-7110-63	82056	2 90° Male Elbow
<b>15</b>	<b>BH-7006-01</b>		<b>1 Power Unit 1 PH, 2 HP</b>
16	BH-7101-32	80942	1 Stud Chain Retainer
17	BH-7115-47	81971	1 Chain
18	BH-7115-48	80944	2 Leaf Chain Long
-	BH-7115-49	81970	2 Cross Chain Assy (# 16 & 17)

Item SVI #	OEM #	Req.	Description
19	BH-7112-18	80943	2 Leaf Chain Short
20	BH-7112-17	80892	2 Yoke Roller Assembly
21	BH-7112-16	80937	4 Roller Assembly
22	BH-7112-15	80936	1 Chain Connector
23	BH-7112-13	80817	1 Hydraulic Cylinder
-	BH-7112-14	82123	1 Replacement Seal Kit (Prince)
24	BH-7112-12	80896	1 Upper Horizontal Tube Structure
25	BH-7101-99	80391	1 Trip
26	BH-7112-11	80892	1 Yoke Roller Assembly
27	BH-7112-09	80891	1 Catch Structure
28	BH-7101-99	80391	1 Trip
29	BH-7112-11	80892	1 Yoke Roller Assembly
30	BH-7112-10	80894	1 Chain Anchor
31	BH-7112-09	80891	1 Catch Structure
-	BH-7112-07	80887	2 Cross Member Assy (#25-32)
32	BH-7112-08	80888	1 Cross Member Structure
33	BH-7112-05	81968	1 Passenger Rear Column
34	BH-7112-04	81967	1 Passenger Front w/Power Unit
35	BH-7112-03	80881	2 Driver Column
36	BH-7112-06	82127	1 Center Column



For Model LTC 9

**DIRECTFIT™**  
SVI's DIRECT FIT™ BRAND



Item SVI #	OEM #	Req.	Description
1	BH-7112-69	100111	1 Hex Screw includes:
	BH-7112-24	100159	1 Lock Washer
	BH-7112-23	100102	1 Hex Nut
2	BH-7101-61	80124	1 Dry Pressure Guage
3	BH-7111-65	82066	1 Coupling (MTE Only)
4	BH-7111-71	61496	1 Hex Nipple
5	BH-7110-63	82056	1 90° Elbow
6	BH-7110-66	100026	1 Plug
<b>7</b>	<b>BH-7006-01</b>	<b>1</b>	<b>Power Unit 1 PH, 2 HP</b>
8	BH-7112-68	80839	1 Hose Clamp
9	BH-7112-67	81321	1 Hose Assembly 3/8
10	BH-7112-66	80427	8 Nylock Hex Nut
11	BH-7112-65	100170	8 Flat Washer

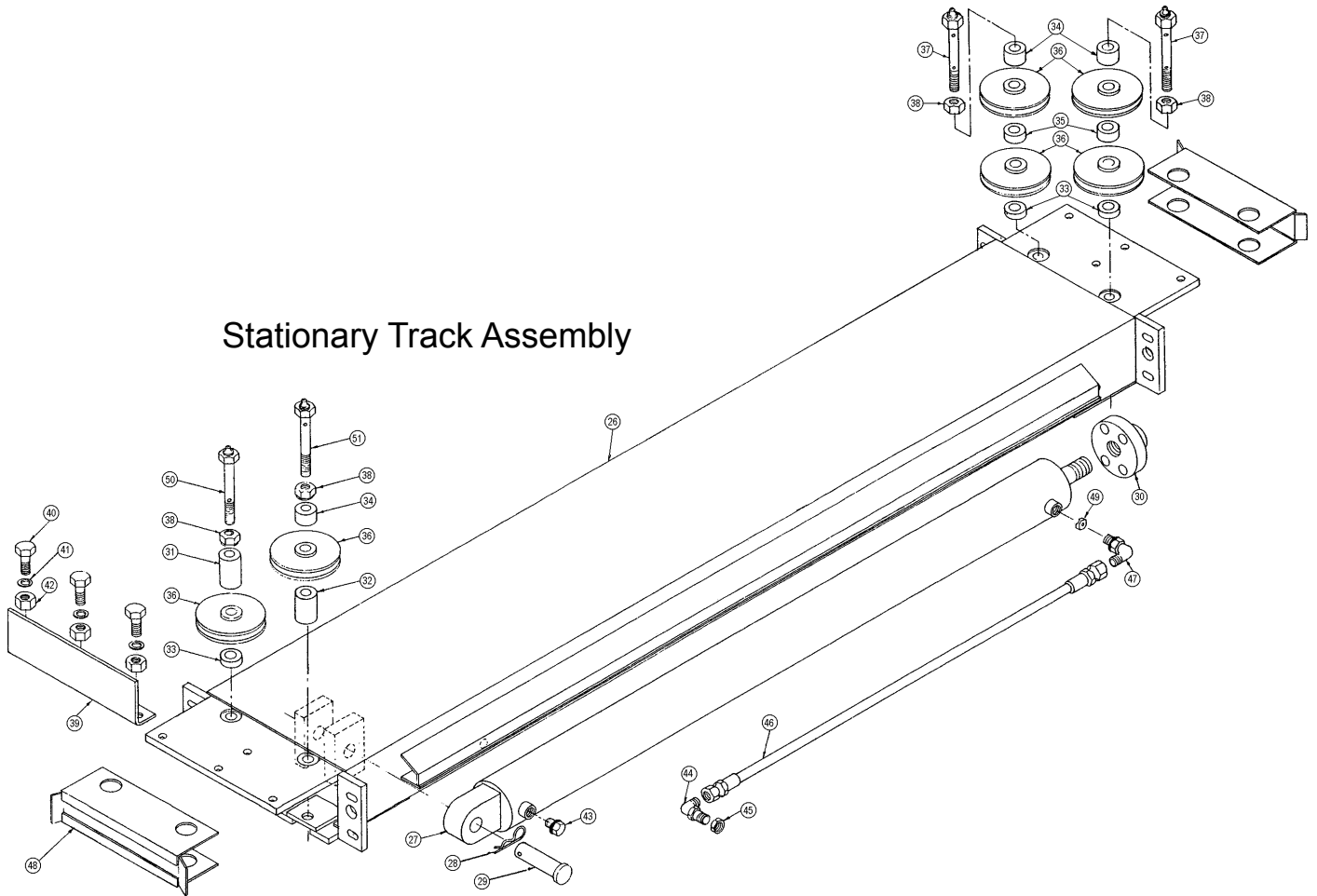
Item SVI #	OEM #	Req.	Description
12	BH-7100-24	81292	1 RH Front Cable Assembly
13	BH-7100-25	81291	1 LH Front Cable Assembly
14	BH-7100-27	81290	1 RH Rear Cable Assembly
15	BH-7100-26	81289	1 LH Rear Cable Assembly
16	See Breakdown	1	Handle Linkage Pivot
17	BH-7100-54	81340	2 Ramp Assembly
18	BH-7112-64	81294	1 Moveable Track Assembly
19	BH-7112-63	100304	8 HFHSL Screw
20	BH-7112-62	81295	1 Stationary Track Assembly
21	BH-7112-61	81265	1 Rear Cross Tube Assembly
22	BH-7112-60	81264	1 Front Cross Tube Assembly
23	BH-7512-92	80589	1 Shim Kit 150 pcs, 3 sizes
24	BH-7075-03L	80062	16 3/4 x 5-1/2" Wedge Anchors
25	BH-7112-59	81262	1 Post Structure w/Power Unit
26	BH-7112-58	81261	3 Post Structure
*	BH-7112-70	83656	2 Tire Chock
*	BH-7112-71	80333	1 Free Wheel Device Consists of:
*	BH-7112-72	80334	1 Wide Side Assembly
*	BH-7112-73	80335	1 Narrow Side Assembly
*	BH-7112-74	80777	4 Retaining Pin Structure
*	BH-7112-75	100110	4 Hair Pin Clip

\* Not Pictured

P  
a  
g  
e

# For Model LTC 9

**DIRECTFIT™**  
SVI's DIRECT FIT™ BRAND



Stationary Track Assembly

Item	SVI #	OEM #	Req.	Description
-	BH-7112-62	81295	1	Stationary Track Assembly
26	BH-7112-76	81299	1	Stationary Track Structure
27	BH-7103-15	81311	1	Hydraulic Cylinder Seal Kit
28	BH-7112-75	100110	1	Hair Pin Clip
29	BH-7112-77	81312	1	Cylinder Pin
30	BH-7112-78	81313	1	Cylinder Adapter
31	BH-7102-02	81316	1	Spacer RH Top
32	BH-7112-79	81315	1	Spacer LH Bottom
33	BH-7102-01	81317	3	Spacer Bottom
34	BH-7102-04	81314	3	Spacer Top
35	BH-7102-05	81323	2	Spacer Center Rear
36	BH-7100-32	82675	6	Cable Sheave Assembly
37	BH-7112-80	82676	2	Hex Screw Assembly
38	BH-7102-00	80034	4	Nylock Nut
39	BH-7100-52	80629	1	Track Stop Angle
40	BH-7110-78	80453	3	Hex Screw

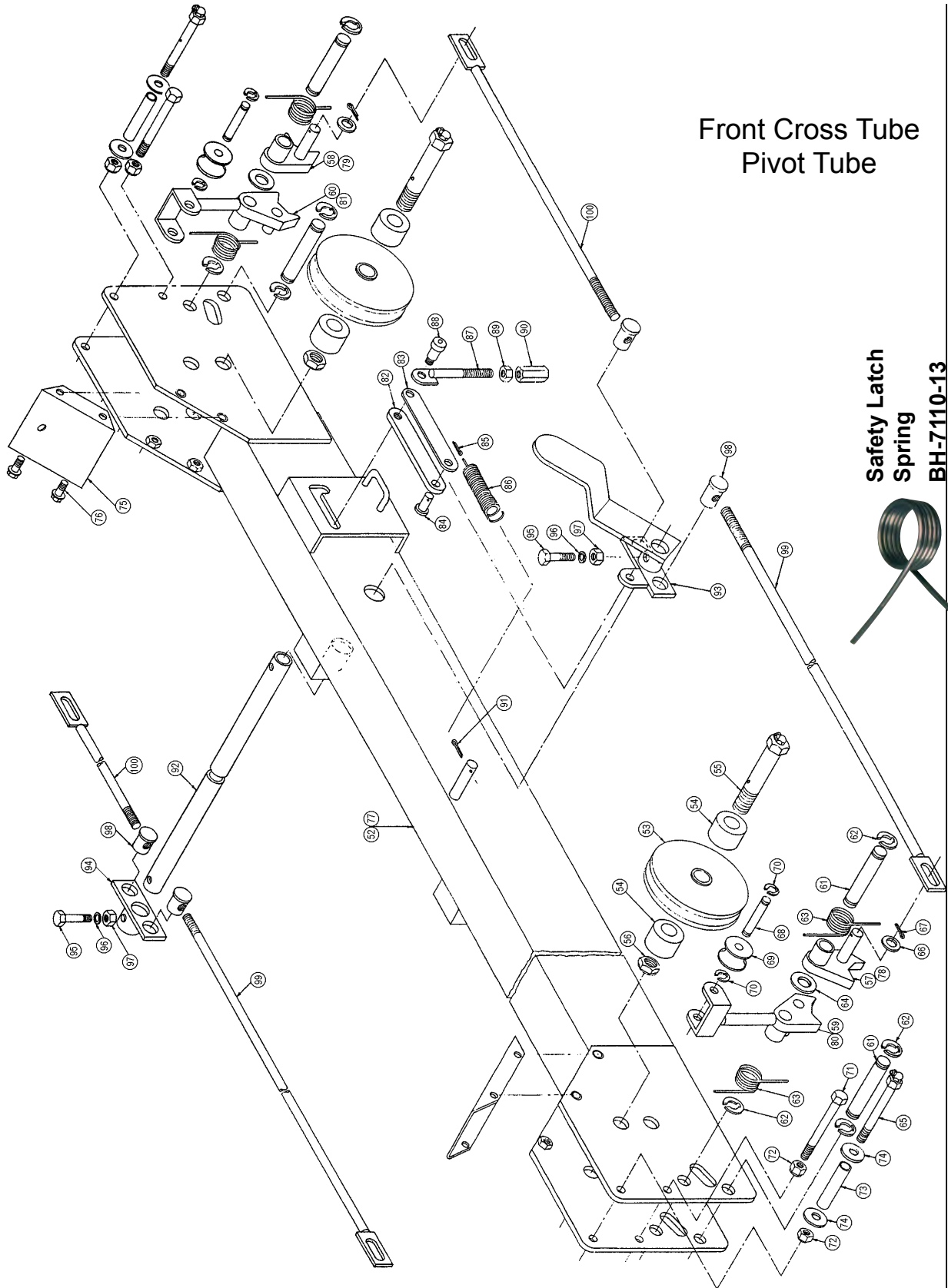
Item	SVI #	OEM #	Req.	Description
41	F-LW-0500	100125	3	Lock Washer
42	BH-7112-82	100124	4	Hex Nut
43	BH-7112-83	82130	1	Breather Plug
44	BH-7112-84	81318	1	90° Bulkhead Adapter Elbow
45	BH-7112-85	60051	1	Bulkhead Nut
46	BH-7112-86	81320	1	Hose Assembly 3/8 ID
47	BH-7112-87	60368	1	90° O-Ring Elbow
48	BH-7112-88	81414	2	Cable Guide
*	BH-7100-26	81289	1	Cable Assembly Cyl to LH Rear
*	BH-7100-27	81290	1	Cable Assembly Cyl to RH Rear
*	BH-7100-25	81291	1	Cable Assembly Cyl to LH Front
*	BH-7100-24	81292	1	Cable Assembly Cyl to RH Front
*	BH-7112-66	80427	8	Nylock Hex Nut
49	BH-7102-49	81959	1	Orifice
50	BH-7112-89	82680	1	Hex Screw Assembly
51	BH-7112-90	82678	1	Hex Screw Assembly
*	Not Pictured			

P  
a  
g  
e



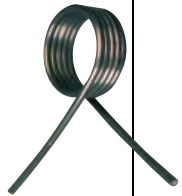
# For Model LTC 9

**DIRECTFIT™**  
SVI's DIRECT FIT™ BRAND



Front Cross Tube  
Pivot Tube

Safety Latch  
Spring  
BH-7110-13  
(Ref 81072)





# For Model LTC 9

**DIRECTFIT™**  
SVI's DIRECT FIT™ BRAND

Item SVI #	OEM #	Req.	Description
-	BH-7112-60	81264	1 Front Cross Tube Assy #'s 52-76
52	BH-7112-91	81266	1 Front Cross Tube Structure
53	BH-7100-32	82675	2 Cable Sheave Assy includes:
	BH-7112-92	82492	1 Sheave
	BH-7112-93	82493	1 Bronze Bushing
54	BH-7112-94	81282	4 Spacer
55	BH-7112-95	82682	2 Hex Screw Assembly
56	BH-7102-00	80034	2 Nylock Nut
57	BH-7110-12	81068	1 LH Latch Catch
58	BH-7110-11	81069	1 RH Latch Catch
59	BH-7102-06	81275	1 Latch Structure
<b>60</b>	<b>BH-7100-47</b>	<b>81276</b>	<b>1 Latch Structure</b>
61	BH-7100-89	81073	4 Shaft
62	BH-7100-88	100276	8 Retaining Ring
<b>63</b>	<b>BH-7110-13</b>	<b>81072</b>	<b>4 Safety Latch Spring</b>
64	BH-7102-30	100155	2 Flat Washer
65	BH-7110-18	81479	2 Bolt w/Grease Fitting
66	BH-7110-26	100062	2 Flat Washer
67	F-CP-125-0750	100175	2 Cotter Pin
68	BH-7109-97	81280	2 Slack Chain Shaft
69	BH-7109-96	81279	2 Slack Chain Roller
70	BH-7100-86	80683	4 Retaining Ring
71	F-HC-0375-16-4000	81081	2 Hex Screw
72	F-NL-0375-16	81082	4 Hex Nut Nylock
73	BH-7102-31	81176	2 Tube Spacer
74	BH-7102-11	81206	4 Flat Washer
75	BH-7112-96	81283	2 Idler Cover
76	BH-7112-97	60912	8 Flanged Head Screw
-	BH-7112-61	81265	1 Rear Cross Tube Assembly See Front Tube Layout
77*	BH-7113-02	81267	1 Rear Cross Tube Structure
53	BH-7100-32	82675	2 Cable Sheave Assy includes:
	BH-7112-92	82492	1 Sheave
	BH-7112-93	82493	1 Bronze Bushing
54	BH-7112-94	81282	4 Spacer
55	BH-7112-95	82682	2 Hex Screw Assembly
56	BH-7102-00	80034	2 Nylock Nut
78*	BH-7110-12	81068	1 LH Latch Catch
79*	BH-7110-11	81069	1 RH Latch Catch

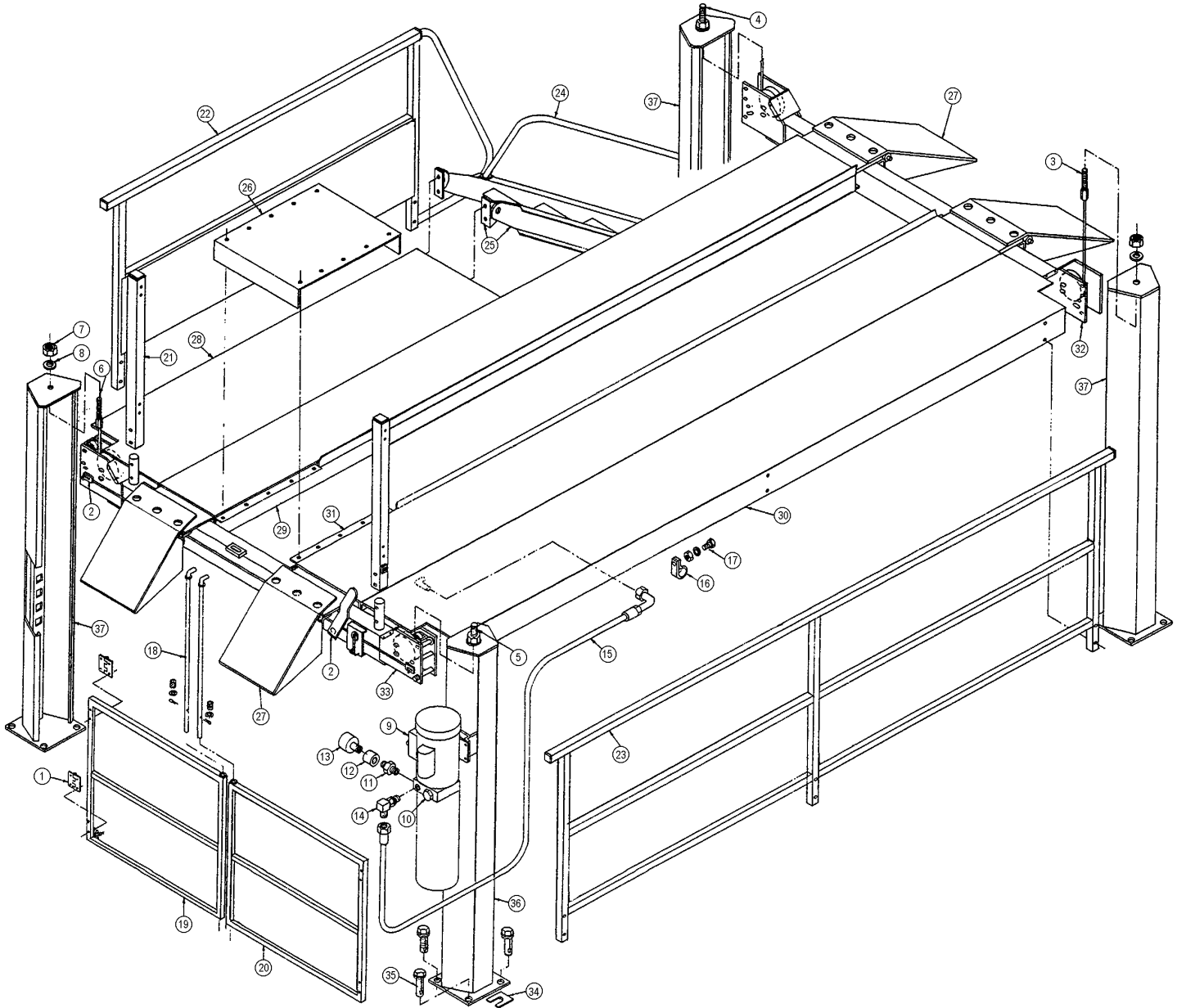
Item SVI #	OEM #	Req.	Description
<b>80*</b>	<b>BH-7100-47</b>	<b>81276</b>	<b>1 Latch Structure</b>
81*	BH-7102-06	81275	1 Latch Structure
61	BH-7100-89	81073	4 Shaft
62	BH-7100-88	100276	8 Retaining Ring
63	BH-7110-13	81072	4 Safety Latch Spring
64	BH-7102-30	100155	2 Flat Washer
65	BH-7110-18	81479	2 Bolt w/Grease Fitting
66	BH-7110-26	100062	2 Flat Washer
67	F-CP-125-0750	100175	2 Cotter Pin
68	BH-7109-97	81280	2 Slack Chain Shaft
69	BH-7109-96	81279	2 Slack Chain Roller
70	BH-7100-86	80683	4 Retaining Ring
71	F-HC-0375-16-4000	81081	2 Hex Screw
72	F-NL-0375-16	81082	4 Hex Nut Nylock
73	BH-7102-31	81176	2 Tube Spacer
74	BH-7102-11	81206	4 Flat Washer
75	BH-7112-96	81283	2 Idler Cover
76	BH-7112-97	60912	8 Flanged Head Screw
-	See Front Cross Tube Layout	1	Pivot Tube Linkage
82	BH-7101-20	81102	1 Bar Tapped
83	BH-7101-22	81101	1 Bar
84	BH-7101-19	81103	1 Pin
85	F-CP-125-0750	100175	1 Cotter Pin
86	BH-7110-14	100154	1 Spring
87	BH-7101-23	81251	1 Trip Rod
88	BH-7101-21	81107	1 Shoulder Screw
89	BH-7105-08	100127	1 Nut
90	BH-7105-09	81253	1 Nut
91	F-CP-125-1000	100190	1 Cotter Pin
92	BH-7112-98	81284	1 Tube Structure Pivot
93	BH-7112-99	81138	1 Handle Structure
94	BH-7101-72	81092	1 Pivot Structure
95	BH-7101-55	81483	2 Hex Screw
96	BH-7112-24	100159	2 Lock Washer
97	BH-7112-23	100102	2 Hex Nut
98	BH-7110-20	81095	4 Pivot Pin
99	BH-7113-00	81285	2 Adjusting Rod Long
100	BH-7113-01	81287	2 Adjusting Rod Short

\* Not pictured correctly.



# For Model QLR 2000

**DIRECTFIT™**  
SVI's DIRECT FIT™ BRAND





# For Model QLR 2000



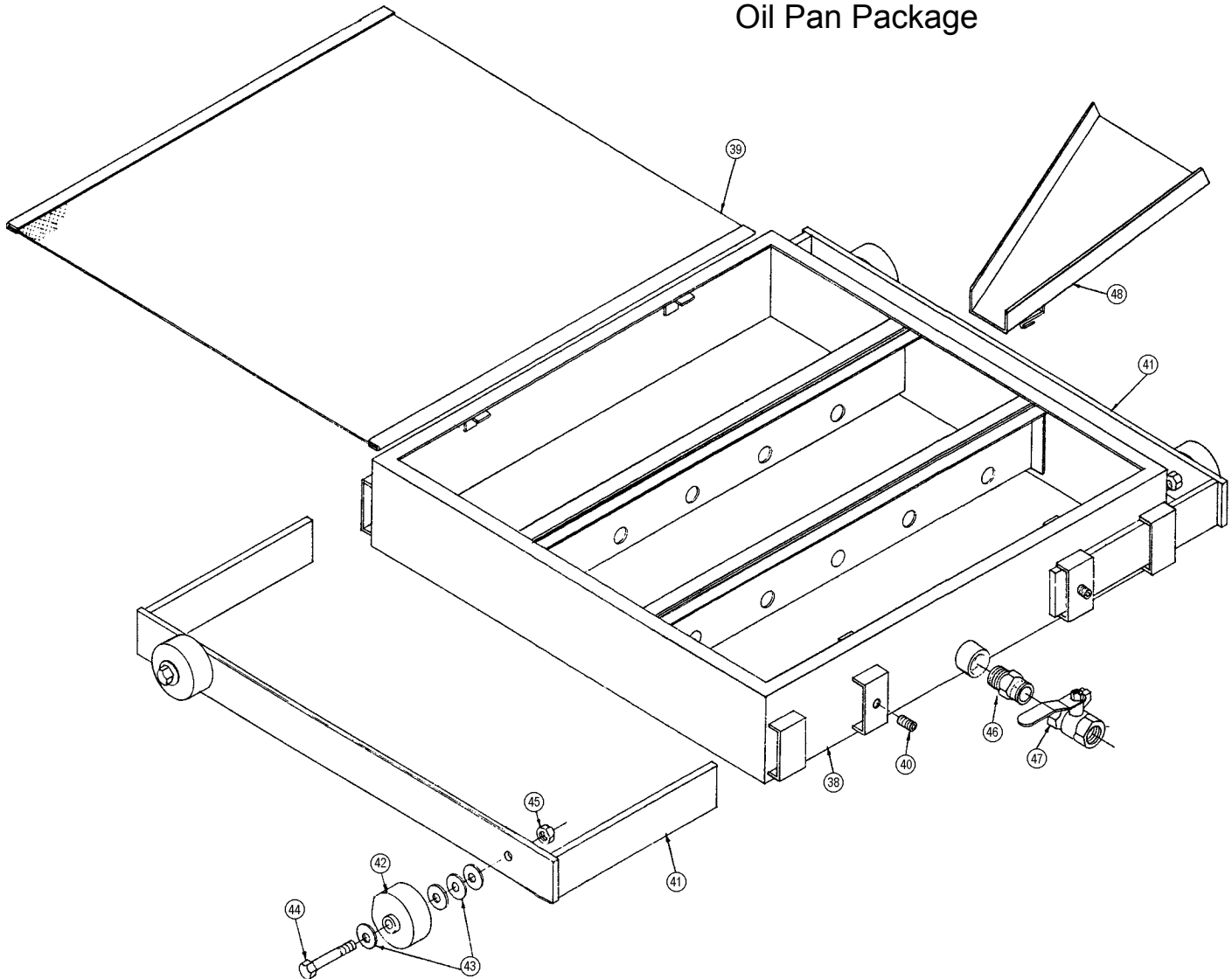
Item	SVI #	OEM #	Req.	Description
1	BH-7113-26	82556	4	Hinge
	BH-7113-27	100294	8	Machine Screw
	BH-7113-28	100099	16	Lock Washer
	BH-7113-29	100115	16	Hex Nut
	BH-7113-30	100309	8	Machine Screw
2	See Breakdown		1	Handle Linkage Pivot
3	BH-7100-30	82455	1	LH Rear Cable Assembly
4	BH-7100-31	82456	1	RH Rear Cable Assembly
5	BH-7100-29	82457	1	LH Front Cable Assembly
6	BH-7100-28	82458	1	RH Front Cable Assembly
7	BH-7112-66	80427	8	Nylock Hex Nut
8	BH-7112-65	100170	8	Flat Washer
9	<b>BH-7006-01</b>		<b>1</b>	<b>Power Unit 1 PH, 2 HP</b>
10	BH-7110-66	100026	1	Return Post Plug
11	BH-7111-71	61496	1	Hex Pipe Nipple
12	BH-7111-65	82066	1	Coupling (MTE Only)
13	BH-7101-61	80124	1	Dry Pressure Gauge
14	BH-7110-63	82056	1	90° Elbow
15	BH-7113-31	82587	1	Hose Assembly
16	BH-7111-77	61412	1	Hose Clamp
17	BH-7112-69	100111	1	Hex Screw
	BH-7112-24	100159	1	Lock Washer
	BH-7112-23	100102	1	Hex Nut
18	BH-7113-24	82673	2	Rod Structure Gate
	BH-7113-25	81530	2	Spring
	BH-7110-26	100062	2	Flat Washer
19	BH-7113-23	82542	1	Gate Structure RH
20	BH-7113-22	82541	1	Gate Structure LH
21	BH-7113-21	82670	2	Post Structure Gate
	BH-7113-07	100010	2	Hex Screw
	BH-7113-20	100209	4	Hex Screw
	BH-7110-76	100239	4	Hex Nut
22	BH-7113-19	82451	1	Handrail Structure RH
	BH-7113-20	100209	10	HFHSL Screw
	BH-7110-76	100239	10	HFHSL Nut
23	BH-7113-18	82589	1	Handrail Structure LH

Item	SVI #	OEM #	Req.	Description
24	BH-7113-17	82729	1	Ladder Handrail Structure
	BH-7110-74	100238	2	HFHSL Screw
25	BH-7113-13	82684	1	Ladder Assembly
	BH-7113-14	82460	1	Ladder Structure
	BH-7113-15	82571	2	Wheel w/Bushing
	BH-7113-16	82459	2	Ladder Support
	BH-7110-74	100238	4	HFHSL Screw
	BH-7110-76	100239	4	HFHSL Nut
26	BH-7113-11	82450	1	Center Cover
	BH-7113-12	100307	10	Carriage Bolt
	BH-7110-75	100237	10	HFHSL Nut
27	BH-7113-10	81537	4	Ramp Assembly
28	BH-7113-09	82656	1	Track Extension Structure RH
	BH-7110-74	100238	8	HFHSL Screw to Track
	BH-7110-76	100239	8	HFHSL Nut to Track
	BH-7113-07	100010	2	Hex Screw
	BH-7112-63	100304	2	HFHSL Screw to Cross Tube
	BH-7110-82	100039	2	HFHSL Nut to Cross Tube
29	BH-7113-08	82428	1	Track Structure RH
	BH-7112-63	100304	4	HFHSL Screw to Cross Tubes
	BH-7110-82	100039	4	HFHSL Nut to Cross Tubes
30	BH-7113-06	82655	1	Track Extension Structure LH
	BH-7110-74	100238	12	HFHSL Screw to Track
	BH-7110-76	100239	12	HFHSL Nut to Track
	BH-7113-07	100010	3	Hex Screw
	BH-7112-63	100304	4	HFHSL Screw to Cross Tube
31	BH-7113-05	82425	1	Stationery Track Assembly LH
	BH-7112-63	100304	8	HFHSL Screw to Cross Tubes
32	BH-7113-04	82544	1	Rear Cross Tube Assembly
33	BH-7113-03	82543	1	Front Cross Tube Assembly
34	BH-7512-92	80589	1	Shim Kit 150 pcs, 3 sizes
35	BH-7075-03L	80062	16	3/4 x 5-1/2" Wedge Anchor
36	BH-7112-59	81262	1	Post Structure w/Power Unit
37	BH-7112-58	81261	3	Post Structure
*	BH-7112-70	83656	2	Chock (Not Pictured)

# For Model QLR 2000

**DIRECTFIT™**  
SVI's DIRECT FIT™ BRAND

## Oil Pan Package



Item SVI #	OEM #	Req.	Description
-	BH-7113-32	82572	1 Oil Pan Assembly (#s 38-45)
38	BH-7113-33	82558	1 Oil Pan Structure
39	BH-7113-34	82687	1 Cover Structure
40	BH-7113-35	100052	4 Socket Head Set Screw
41	BH-7113-36	82566	2 Guide Structure
42	BH-7113-15	82571	4 Wheel w/Bushing

Item SVI #	OEM #	Req.	Description
43	BH-7113-37	100152	16 Flat Washer
44	BH-7113-38	100315	4 Hex Screw
45	BH-7113-39	100297	4 Thin Nylock Nut
46	BH-7113-40	100295	1 Hex Nipple
47	BH-7113-41	82565	1 Ball Valve
48	BH-7113-42	82732	1 Splash Pan Structure

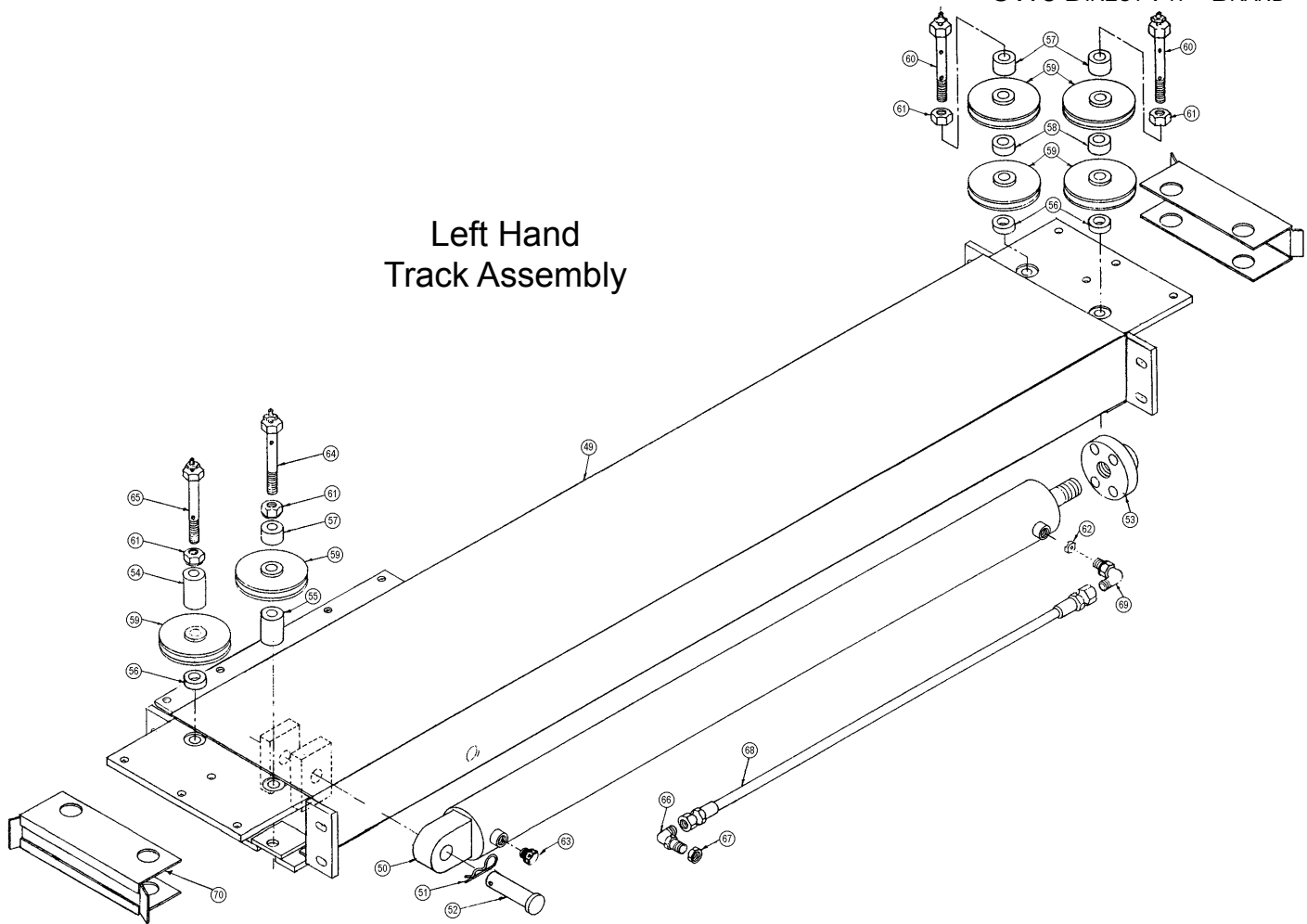
P  
a  
g  
e



# For Model QLR 2000

**DIRECTFIT™**  
SVI's DIRECT FIT™ BRAND

## Left Hand Track Assembly



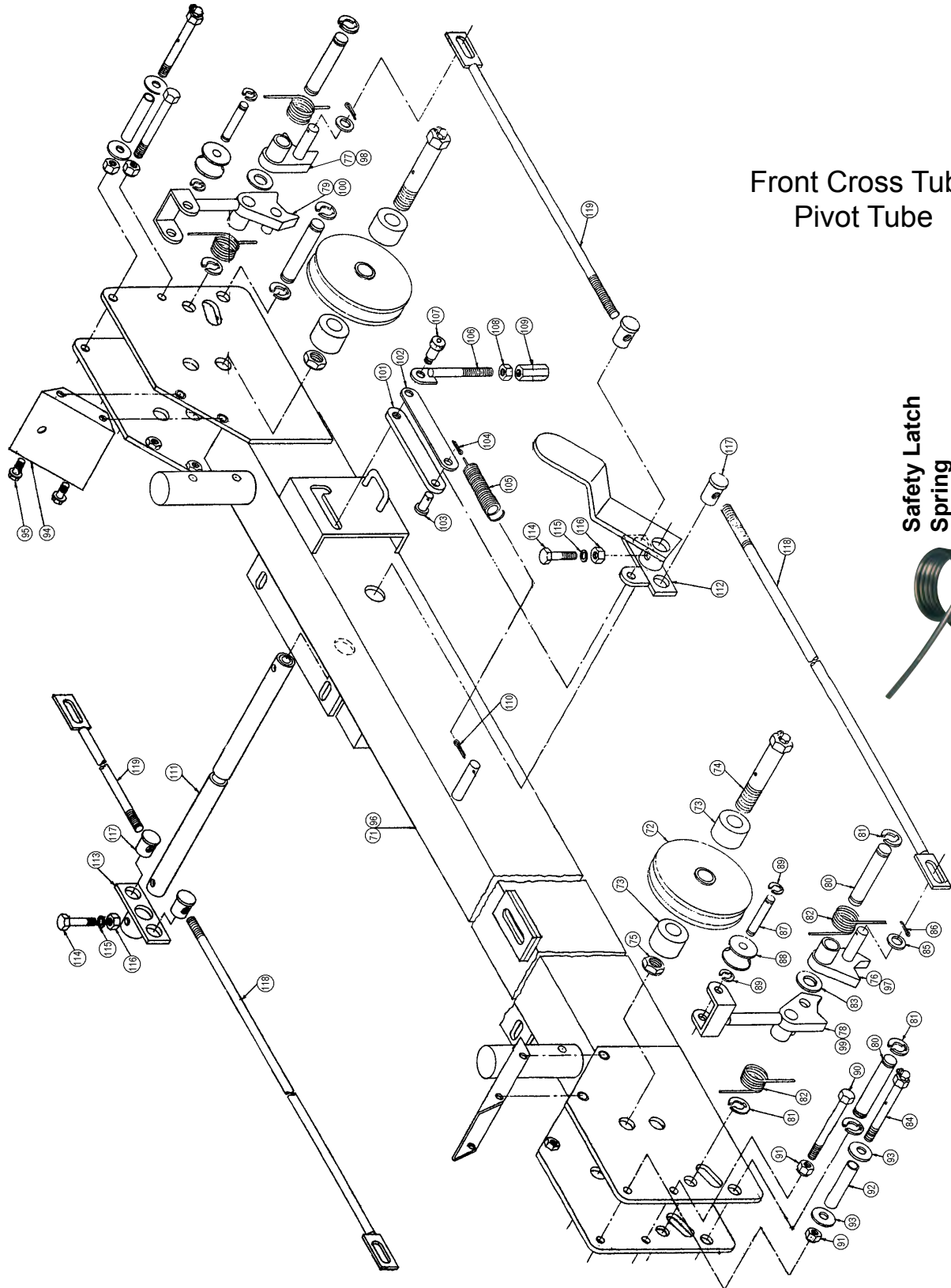
Item SVI #	OEM #	Req.	Description
-	BH-7113-05	82425	1 LH Track Assembly Consists of:
49	BH-7113-43	82427	1 LH Track Structure
50	BH-7103-15	81311CK	1 Seal Kit
51	BH-7112-75	100110	1 Hair Pin Clip
52	BH-7112-77	81312	1 Cylinder Pin
53	BH-7112-78	81313	1 Cylinder Adapter
54	BH-7102-02	81316	1 Spacer RH Front Top
55	BH-7112-79	81315	1 Spacer LH Front Bottom
56	BH-7102-01	81317	3 Spacer Bottom
57	BH-7102-04	81314	3 Spacer Top
58	BH-7102-05	81323	2 Spacer Rear Center
<b>59</b>	<b>BH-7100-32</b>	<b>82675</b>	<b>6 Cable Sheave Assembly</b>
	BH-7112-92	82492	1 Sheave
	BH-7112-93	82493	1 Bronze Bushing
60	BH-7112-80	82676	2 Hex Screw Assembly
	BH-7113-44	100305	1 Lubrication Fitting

Item SVI #	OEM #	Req.	Description
61	BH-7102-00	80034	4 Thin Nylock Nut
62	BH-7102-49	81959	1 Orifice
63	BH-7112-83	82130	1 Breather Plug
64	BH-7112-90	82678	1 Hex Screw Assembly
	BH-7113-44	100305	1 Lubrication Fitting
65	BH-7112-89	82680	1 Hex Screw Assembly
	BH-7113-44	100305	1 Lubrication Fitting
66	BH-7112-84	81318	1 90° Bulkhead Adapter Elbow
67	BH-7112-85	60051	1 Bulkhead Nut
68	BH-7112-86	81320	1 Hose Assembly 3/8 ID
69	BH-7112-87	60368	2 90° O-Ring Elbow
70	BH-7112-88	81414	2 Cable Guide Structure
*	<b>BH-7100-30</b>	<b>82455</b>	<b>1 Cable Assembly Cyl to LH Rear</b>
*	<b>BH-7100-31</b>	<b>82456</b>	<b>1 Cable Assembly Cyl to RH Rear</b>
*	<b>BH-7100-29</b>	<b>82457</b>	<b>1 Cable Assembly Cyl to LH Front</b>
*	<b>BH-7100-28</b>	<b>82458</b>	<b>1 Cable Assembly Cyl to RH Front</b>
*	BH-7112-66	80427	8 Cable Nylock Hex Nut
* Not Pictured			

Page

# For Model QLR 2000

**DIRECTFIT™**  
SVI's DIRECT FIT™ BRAND



Front Cross Tube  
Pivot Tube

Safety Latch  
Spring  
BH-7110-13  
(Ref 81072)





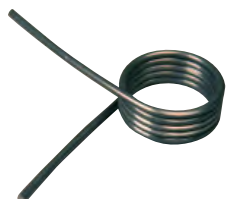
# For Model QLR 2000

**DIRECTFIT™**  
SVI's DIRECT FIT™ BRAND

ItemSVI #	OEM #	Req.	Description
-	BH-7113-03 82543	1	Front Cross Tube Assy #s 71-95
71	BH-7113-45 82466	1	Front Cross Tube Structure
72	BH-7100-32 82675	2	Cable Sheave Assembly
	BH-7112-92 82492	1	Sheave
	BH-7112-93 82493	1	Bronze Bushing
73	BH-7102-04 81314	4	Spacer
74	BH-7112-95 82682	2	Hex Screw Assembly
	BH-7113-46 81471	1	65° Grease Fitting
75	BH-7102-00 80034	2	Thin Nylock Nut
80	BH-7100-89 81073	4	Shaft
81	BH-7100-88 100276	8	Retaining Ring
<b>82</b>	<b>BH-7110-13 81072</b>	<b>4</b>	<b>Torsion Spring</b>
83	BH-7102-30 100155	2	Flat Washer
84	BH-7110-18 81479	2	Hex Screw Assembly
	BH-7113-46 81471	1	65° Grease Fitting
85	BH-7110-26 100062	2	Flat Washer
86	F-CP-125-0750 100175	2	Cotter Pln
87	BH-7109-97 81280	2	Slack Chain Shaft
88	BH-7109-96 81279	2	Slack Chain Roller
89	BH-7100-86 80683	4	Retaining Ring
90	F-HC-0375-16-4000 81081	2	Hex Screw
91	F-NL-0375-16 81082	4	Nylock Hex Nut
92	BH-7102-31 81176	2	Tube Spacer
93	BH-7102-11 81206	4	Flat Washer
94	BH-7112-96 81283	2	Idler Cover
95	BH-7112-97 60912	8	Flanged Head Screw
-	BH-7113-04 82544	1	Rear Cross Tube Assembly See Front Tube Layout
96	BH-7113-47 82465	1	Rear Cross Tube Structure
<b>72</b>	<b>BH-7100-32 82675</b>	<b>2</b>	<b>Cable Sheave Assembly</b>
	BH-7112-92 82492	1	Sheave
	BH-7112-93 82493	1	Bronze Bushing
73	BH-7102-04 81314	4	Spacer
74	BH-7112-95 82682	2	Hex Screw Assembly
	BH-7113-46 81471	1	65° Grease Fitting
75	BH-7102-00 80034	2	Thin Nylock Nut
97*	BH-7110-12 81068	1	LH Latch Catch
98*	BH-7110-11 81069	1	RH Latch Catch
99*	BH-7102-07 81276	1	Latch Structure

ItemSVI #	OEM #	Req.	Description
100*	BH-7102-06 81275	1	Latch Structure
80	BH-7100-89 81073	4	Shaft
81	BH-7100-88 100276	8	Retaining Ring
<b>82</b>	<b>BH-7110-13 81072</b>	<b>4</b>	<b>Torsion Spring</b>
83	BH-7102-30 100155	2	Flat Washer
84	BH-7110-18 81479	2	Hex Screw Assembly
	BH-7113-46 81471	1	65° Grease Fitting
85	BH-7110-26 100062	2	Flat Washer
86	F-CP-125-0750 100175	2	Cotter Pin
87	BH-7109-97 81280	2	Slack Chain Shaft
88	BH-7109-96 81279	2	Slack Chain Roller
89	BH-7100-86 80683	4	Retaining Ring
90	F-HC-0375-16-4000 81081	2	Hex Screw
91	F-NL-0375-16 81082	4	Nylock Hex Nut
92	BH-7102-31 81176	2	Tube Spacer
93	BH-7102-11 81206	4	Flat Washer
94	BH-7112-96 81283	2	Idler Cover
95	BH-7112-97 60912	8	Flanged Head Screw
	See Front Cross Tube Layout	1	Pivot Tube Linkage
101	BH-7101-20 81102	1	Bar Tapped
102	BH-7101-22 81101	1	Bar
103	BH-7101-19 81103	1	Pin
104	F-CP-125-0750 100175	1	Cotter Pin
105	BH-7110-14 100154	1	Spring
106	BH-7101-23 81251	1	Trip Rod
107	BH-7101-21 81107	1	Shoulder Screw
108	BH-7105-08 100127	1	Nut
109	BH-7105-09 81253	1	Nut
110	F-CP-125-1000 100190	1	Cotter Pin
111	BH-7113-48 82545	1	Tube Structure Pivot
112	BH-7112-99 81138	1	Handle Structure
113	BH-7101-72 81092	1	Pivot Structure
114	BH-7101-55 81483	2	Hex Screw
115	BH-7112-24 100159	2	Lock Washer
116	BH-7112-23 100102	2	Hex Nut
117	BH-7110-20 81095	4	Pivot Pin
118	BH-7110-22 81113	2	Adjusting Rod Long
119	BH-7110-21 81115	2	Adjusting Rod Short

\* Not pictured correctly.



**Safety Latch Spring**  
**BH-7110-13**  
(Ref 81072)



The #1 Source for Auto Lift Power Units!

**BH-7006-01 Series - Single Phase  
SPX Stone Power Unit**



**SPX STONE**

SPX Stone power units are a compact hydraulic power source utilizing an electric motor with the capability to generate high pressure ratings. The units are built specially for SVI and the industry it serves to provide a wide range of customer-specified pressure relief valve settings. The ability to properly select the required pressure relief allows industry professionals to confidently match the right power unit to the application. SVI performs this service routinely every day to ensure power units are shipped on a same-day basis with the correct pressure relief setting required for the job.

**208-230 VAC, 2HP, 1PH, 3450 RPM Motor  
4.0 Gallon Reservoir**

- Frame: 56 FR
- Max Amps: 230 VAC 18
- Pump: 2.3 GPM @ 2200 PSI\*
- Maximum Run Time: 75 Seconds
- Pressure / Return Port Size: 9/16" SAE
- Auxiliary Return Port: 3/8" NPT

Part #	SPX / Stone #	Pressure Relief Valve (psi/bar)	Motor	Pump	Easy Adaptation Kit
BH-7006-01-13	AB-1488	1885 psi / 130 bar	208-230 VAC, 2HP, 1PH, 3450 RPM	2.5CC/Rev	Included BH-7000-00
BH-7006-01-14	AB-1488	2030 psi / 140 bar	208-230 VAC, 2HP, 1PH, 3450 RPM	2.5CC/Rev	Included BH-7000-00
BH-7006-01-15	AB-1488	2175 psi / 150 bar	208-230 VAC, 2HP, 1PH, 3450 RPM	2.5CC/Rev	Included BH-7000-00
BH-7006-01-16	AB-1488	2320 psi / 160 bar	208-230 VAC, 2HP, 1PH, 3450 RPM	2.5CC/Rev	Included BH-7000-00
BH-7006-01-17	AB-1488	2465 psi / 170 bar	208-230 VAC, 2HP, 1PH, 3450 RPM	2.5CC/Rev	Included BH-7000-00
BH-7006-01-18	AB-1488	2610 psi / 180 bar	208-230 VAC, 2HP, 1PH, 3450 RPM	2.5CC/Rev	Included BH-7000-00
BH-7006-01-19	AB-1488	2755 psi / 190 bar	208-230 VAC, 2HP, 1PH, 3450 RPM	2.5CC/Rev	Included BH-7000-00
BH-7006-01-20	AB-1488	2900 psi / 200 bar	208-230 VAC, 2HP, 1PH, 3450 RPM	2.5CC/Rev	Included BH-7000-00
BH-7006-01-21	AB-1488	3045 psi / 210 bar	208-230 VAC, 2HP, 1PH, 3450 RPM	2.5CC/Rev	Included BH-7000-00
BH-7006-01-22	AB-1488	3190 psi / 220 bar	208-230 VAC, 2HP, 1PH, 3450 RPM	1.6CC/Rev	Optional BH-7000-00
BH-7006-01-23	AB-1488	3335 psi / 230 bar	208-230 VAC, 2HP, 1PH, 3450 RPM	1.6CC/Rev	Optional BH-7000-00
BH-7006-01-24	AB-1488	3480 psi / 240 bar	208-230 VAC, 2HP, 1PH, 3450 RPM	1.6CC/Rev	Optional BH-7000-00
BH-7006-01-25	AB-1488	3625 psi / 250 bar	208-230 VAC, 2HP, 1PH, 3450 RPM	1.6CC/Rev	Optional BH-7000-00
BH-7006-01-26	AB-1488	3770 psi / 260 bar	208-230 VAC, 2HP, 1PH, 3450 RPM	1.6CC/Rev	Optional BH-7000-00

**EASY ADAPTATION KIT • BH-7000-00**

**Included with:** BH-7006-01-13 thru -21

**Optional for:** BH-7006-01-22 thru -26

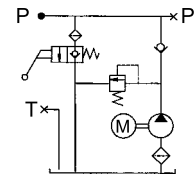
**CONTENTS**

- (1) BH-7000-02 36" Long Hose, 1/4" Hose, 3000 psi, -6 Male End and -6 Swivel Female End
- (1) BH-7000-06 Male 90° Elbow, -6 JIC to -SAE Straight Thread, Zinc Plated Steel
- (1) BH-7000-07 Swivel Nut Branch Tee, -6 Male to -6 Male to -6 Female Swivel Out, Zinc Plated Steel
- (1) BH-7000-08 8" Long, 1/4" Hose, 3000 psi, -6 Male End and -6 Swivel Female End
- (1) BH-7000-09A 24" Cable Tie, 0.36" Wide

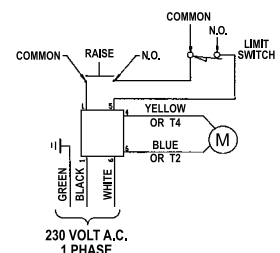


\* BH-7006-01-22/26 1.5 GPM @ 3190 to 3770 PSI

**HYDRAULIC CIRCUIT**



**ELECTRIC CIRCUIT**

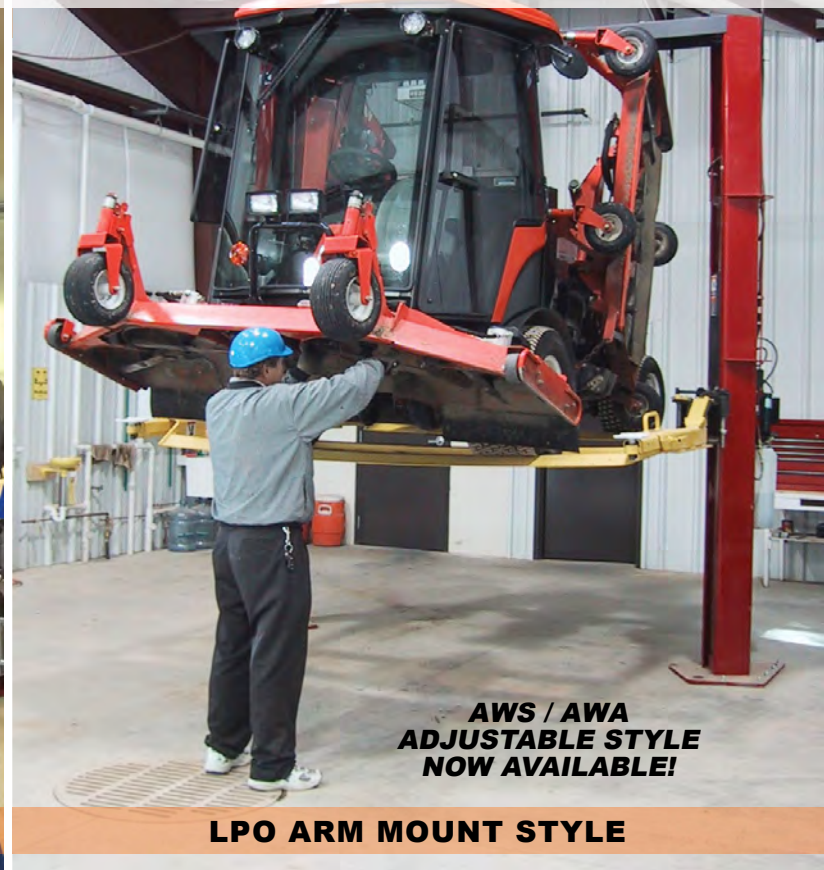




**YOUR CHOICE! 3 TURF TRAY STYLES, OPTIONS AND ACCESSORIES AVAILABLE**



**HSR ADAPTER HOLE MOUNT STYLE**



**AWS / AWA  
ADJUSTABLE STYLE  
NOW AVAILABLE!**

**LPO ARM MOUNT STYLE**

## **Turf Equipment / Utility Vehicle Attachments for Automotive Lifts**

- Golf Courses
- Park Districts
- Municipalities
- ATV Dealers
- Public Works
- Amusement Parks
- Vacation Resorts
- Agricultural Shops
- and so many more...

**No. 1—The First:** An SVI wholly-owned subsidiary was the very first ever to invent Turf Attachments for use on automotive lifts. On September 9, 1997 SVI's very own MLM Lifts and Manufacturing (formerly known as Manitowoc Lift) developed the very first production drawings for a Turf Equipment Lifting Accessory. This innovative product line has allowed thousands of lift owners to convert their automotive lifts into a multi-functional tool. This allows for both service of their cars and pickup trucks but also ease of repair access to all the turf and small maintenance equipment also found in and around their shop.

Turf Attachments are an ideal tool to incorporate into any shop that has a two-post automotive lift or in-ground side-by-side that also has the need for servicing all types of other equipment. Turf Attachments are ideal for park districts, golf courses, outdoor power equipment dealers, municipalities, ATV dealers and just about anywhere else that requires more versatility from their lifts.

SVI has emerged and remains the leading supplier in its field for turf / utility attachments. The nimble nature of SVI engineering and strong focus on customer service allows for a wide range of flexibility in producing attachments to fit virtually all makes and models of two post surface mount lifts encountered in the field. Put the SVI team to work for you today, attachments can be made for any two post lift including those with true asymmetric or triple stage swing arms. For a whole variety of turf / utility attachment solutions—SVI is your Answer!



**800-321-8173**

**BALTIMORE • CHICAGO • LOS ANGELES**





DIRECT FIT™ BRAND

# SVI International, Inc.

Catalogs and Information Online: [www.sviinternational.com](http://www.sviinternational.com)

**EASY TO ORDER:**  
**800-321-8173**  
**815-748-0200**  
 Fax: 800-899-1784 • 815-748-0210  
 E-Mail: [parts@sviintl.com](mailto:parts@sviintl.com)  
[www.sviinternational.com](http://www.sviinternational.com)

## AUTO LIFT REPAIR PARTS FOR ALL MAKES & MODELS

~NO MATTER THE AGE OF THE LIFT!

- Arm Restraint Kits & Parts
- Cables—Lifting and Equalizing
- Chain
- doorjammerPRO - Door Protection Pad
- Height Extensions and Rubber Pads
- Installation Products & Tools
- Power Units and Parts
- Pulleys and Chain Rollers
- Seal Kits for In-Ground & Surface Mount
- Safety Legs / Non-Rotators
- Replacement Lift Kits
- Power Post Lifting Systems
- Tanks for In-Ground Lifts
- Turf Attachments for 2-Post Lifts

### SURFACE MOUNT LIFT PARTS FOR:

Acanus	Gemini	Quality
Ammco®*	Gilbarco	Ranger
Alamo /	Globe	Ravaglioli
ASSSA	Grand	Rotary Lifts
ALM	Hofmann	Silent Tech
AMI	Hydralift	Slift
Ashawa	Ime Istobal	Somers Souriau
Ben Pearson	Kismet	Stenhoj
BendPak	Kimm	Stertil Koni
Benwil	Koni	Sun
Bishamon	Launch	Tecalemit
Boston	Laycock	Titan
Bradbury	Lincoln	Weaver
Cascos	Maha	Werther
Consul	Manitowoc Lifts	Western
Challenger	Mohawk	Westinghouse
Force	Nussbaum	Wheeltronic
Ford Smith	OMA	Worth
Forward	OMCN	Zippo
Fuchs/Zippo	PMW	

### IN-GROUND LIFT PARTS FOR:

Benwil	Gilbarco	PKS Lifts
Challenger	Globe	Rotary
Cochin	HDL/ISS Innovative	US Hoist
Curtis	Joyce	Weaver
Ford Smith	Manitowoc Lifts	Western

## AIR COMPRESSOR PARTS

- Air Receiver Tanks • Compressor Mufflers
- Automatic Tank Drain Valve for Champion Compressors
- Filters—Many OEM Ref Available!
- Filters, Regulators, Lubricators
- Intake Filter Products
- Milton Air System Products
- Re-Coil Hose • Valves
- Vibration Dampening Pads & much more!

## BRAKE LATHES REPAIR PARTS

- Brake Lathe Repair Parts and Accessories for **All Makes**

## EXHAUST REMOVAL SYSTEMS & PRODUCTS

### FLUID DELIVERY

- Lenz Fittings
- Steel Hydraulic Line Tubing and Fittings
- Strut and Hangers

### HOSE REELS BY REELCRAFT®

### HYDRAULIC CYLINDERS—

- Custom Single-Acting Large Bore Cylinders
- Also see “Lifting Equipment”

### LIFTING EQUIPMENT

- New In-Ground Lifts—Car, Truck & Bus
- Small Equipment Shop Maintenance (SESM) Lifts for lifting Landscape Equip. ATVs / UTVs, Motorcycles, Lawn Mowers, Golf Carts and More!
- Custom Lifting Equipment incl. Production Line Lifts, Rail Car Lifts and More
- Custom Hydraulic Cylinders for Various Applications
- Turf Attachments for 2-Post Lifts
- In-Ground Lift Sections and Kits
- And more!

## LUBRICATION & PAINT / FOAM SPRAY REPAIR PARTS & KITS FOR:

- Alemite • ARO • Balcrank • Graco • Lincoln

## PETROLEUM EQUIPMENT & REPAIR PARTS FOR:

- Gas Pump & Meter Kits and Parts for Gasboy • Tokheim • Fill-Rite
- Including Parts for Older Pumps: Wayne • Bennett • Gilbarco • Bowser A.O. Smith (Geosource) • Southwest

## SEAL KITS

### SHOP EQUIPMENT

- Hein-Werner Products • Omega Products
- Porto-Power • Pro-Lift

## TIRE EQUIPMENT REPAIR PARTS

- Tire Changer and Wheel Balancer Parts for **All Makes**

Accu-Turn	FMC	Nussbaum
All Tool	Giuliano	Ranger
Ammco®*	Hofmann	Sicam
BaseLine®*	Hunter	Sice
Bosch	John Bean /	Snap-On
Cemb	(JBC)	Teco
Coats®*	Kwik-Way	Tuxedo
Corghi	Launch	

## VALVES

- Air Compressor Valves of All Types
- Air and Hoist Control Valves
- Ball Valves • Check Valves
- Kingston Valves • Pressure Relief Valves
- Relief Valves • Safety Valves
- Solenoid Valves
- Tire Changer Valves • And More!

## CUSTOM PRODUCTS

And let us know if you want something you use in your shop to be added to our product line!

**DIRECT FIT™** In addition to SVI's DIRECT FIT™ BRAND, we are proud to be a one-stop shop for many other great products including:



3 Ready-Ship Warehouses for Faster Shipping! | **BALTIMORE • CHICAGO • LOS ANGELES**

**Main Office:** 155 Harvestore Drive • DeKalb, IL 60115

All names, numbers, symbols and descriptions are used for reference purposes only. It is not implied that any part listed is the product of these manufacturers.

SVI does not represent and is not associated in any way with any other companies. Entire contents copyright © 2020, SVI International, Inc. Prices subject to change without notice.

\*AMMCO, BASELINE, COATS and DUCKHEAD are registered trademarks of Hennessy Industries, Inc. SVI International, Inc. is not associated in any way with Hennessy Industries, Inc.

**TERMS AND CONDITIONS OF THE  
SALES ORDER  
FOR SVI INTERNATIONAL, INC.**

1. **GENERAL.** The terms and conditions of sales order outlined herein shall apply to the sale by SVI INTERNATIONAL, INC. (hereinafter referred to as "Company") of the items described on the facing page (hereinafter referred to as "Merchandise") to Purchaser.
2. **DELIVERY.** Delivery shall be deemed to be complete when the Merchandise has been shipped F.O.B. Company's plants in DeKalb, Illinois, Montclair, California; and Hanover, Maryland ("Company's plants"). Shipments are subject to delays from causes or contingencies beyond the reasonable control of the Company. When otherwise not specified, shipments will be made in standard containers via carrier which, in the judgment of the Company, will result in the most practical method. Title and right of possession will pass to the Purchaser upon receipt by the carrier at the shipping point. If a customer of the Company should specify a specific carrier's method of shipment (i.e. UPS Next Day Air) and that carrier does not perform to the customer's expectations, freight credit to a customer's account will not be issued unless the Company can first obtain a credit.
3. **RISK OF LOSS.** Identification of the Merchandise under Uniform Commercial Code (hereinafter referred to as "UCC") Section 2-501 shall take place at the moment of shipment F.O.B. Company's plants. Risk of loss shall pass to the Purchaser when the Merchandise is shipped from the Company's plants.
4. **TITLE.** Title to the merchandise shall transfer to the Purchaser when the Merchandise is shipped from the Company's plants.
5. **WARRANTIES.** The Company guarantees its products to be free from defects in workmanship and raw materials for a period of one year from date of purchase. THIS WARRANTY IS EXPRESSLY IN LIEU OF ANY AND ALL WARRANTIES EXPRESS OR IMPLIED. COMPANY DOES NOT WARRANT THE MERCHANDISE IS MERCHANTABILITY OR FIT FOR ANY PARTICULAR PURPOSE. Company's liability for breach of the terms of this Agreement, including any warranty, is limited to either refund of the invoice price of the Merchandise or at Company's option, replacement of the Merchandise free of charge, including transportation charges but not including the cost of labor. Purchaser has not relied on any statement or upon the conduct of Company with respect to the prospective use of the merchandise. Company shall not be liable for and Purchaser waives any and all claims for any loss or damage, directly or indirectly, arising from the use of the Merchandise and for punitive, incidental or consequential damages, including, but not limited to, damages to property, for loss of use, loss of time, loss of profit or loss of income. The Company does not authorize the sale of our products under any other warranty, expressed or implied. **Please note:** Electrical components and cylinder or shaft seals are not covered under warranty.
6. **SETOFF.** All claims for money due or to become due from the Company shall be subject to deduction by the Company for any setoff or counterclaim arising out of this or any other claims of the Company or its affiliated companies, whether such setoff or counterclaim arose before or after any assignment by Purchaser.
7. **INDEMNIFICATION.** Purchaser agrees to indemnify the Company and hold it harmless from and against all claims, liability, loss, damage or expense, including reasonable counsel fees, arising from or by reason of any modifications or alterations made by Purchaser. If a customer of the Company modifies or alters any part, in any manner whatsoever, or uses any part in departure from recommended performance specifications, said customer agrees to indemnify and hold the Company harmless from and against all liability and expenses based on damage to property or injury to or death of any person arising out of or attributable to such modified or altered part. Further, the Company will not accept any such modified or altered part for credit to a customer's account.
8. **FREIGHT POLICY.** Freight charges are prepaid and added to invoice or collect FOB shipping point. Note: All customers are responsible for all carrier shipping costs, fees, surcharges, etc. including order refusal and return fees.
9. **RETURN POLICY.** To return a part for credit or inspection, Purchaser must first contact our Main Office in Illinois, to obtain a Return Merchandise Form. Once Purchaser has obtained this form, the parts can be returned freight prepaid only. The Return form must be included with the shipment. Parts returned to the Company without the approved form will be returned freight collect to the shipper or refused. Returns must be initiated within 30 days of the invoice date. The Return Forms are valid for 30 days, from the date of issue. All Returns are subject to restocking charges. Return parts brought into our remote warehouses, will not be accepted by our personnel, without a Return Merchandise Form from the Main Office. Parts which have been used in any way or manner, including any installation or incorporation into a lift, hoist, or other equipment, shall NOT be eligible for return whether or not a Return form has been assigned. **Please note:** Electrical parts or components are not returnable for credit. This includes all switches, pushbuttons, relays, electric motors, capacitors, fuses, solenoids, power units with wiring issues or any other electrical items. Custom, built to order, special order, and non-stocked genuine parts are non-returnable.
10. **RESTOCK CHARGE.** Returns are subject to a restocking charge. Refusals are subject to the same restocking charge plus the cost of outbound and return freight charges and/or fees incurred by the Company due to shipment refusal.
11. **PRICES AND PAYMENTS.** All prices are subject to change without notice. All prices are F.O.B. shipping point. The Company standard terms are net 30 days, C.O.D. company check, C.O.D. cash, VISA, MasterCard, Discover or American Express. However, if in the judgment of the Company, the financial condition of the Purchaser at any time does not justify shipment according to standard terms of payment, the Company may require full or partial payment in advance.
12. **INTERPRETATION.** This sales order is intended by the parties as a complete and exclusive statement of the terms of their agreement. It supersedes all prior agreements, written or oral. No course of prior dealings between the parties and no usage of the trade shall be relevant to supplement or explain any terms used in this sales order. Acceptance or acquiescence in a course of performance rendered under this purchase order shall not be relevant to determine the meaning of this sales order even though the accepting or acquiescing party has knowledge of the nature of the performance and opportunity for objection. Whenever a term defined by the UCC is used in this sales order the definition contained in the UCC shall control.
13. **MODIFICATION.** This sales order can be modified or rescinded only by a writing signed by both parties.
14. **WAIVER.** No claim or right arising out of a breach of this sales order can be discharged in whole or in part by a waiver or renunciation of the claim or right unless such waiver or renunciation is supported by consideration and is in writing signed by the aggrieved party.
15. **ASSIGNMENT.** No right or interest in this sales order shall be assigned by either party without the written consent of the other and no delegation of any obligation owed, or of the performance of any obligation by either the Company or Purchaser shall be made without the written consent of the other party. Any attempted assignment or delegation not made in conformity with this paragraph shall be wholly void and totally ineffective for all purposes.
16. **TIME TO PERFORM AND BRING ACTION.** Time is of the essence of this sales order. Any action for breach of this sales order shall be commenced within two (2) years after the cause of action has accrued. Any party who loses any litigation shall reimburse the other party for costs including reasonable attorney's fees. The exclusive jurisdiction for any legal action shall be the Circuit Court of DeKalb County, Illinois.
17. **APPLICABLE LAW.** This sales order shall be governed by the UCC of Illinois as effective and in force on the date of this sales order.



BALTIMORE • CHICAGO • LOS ANGELES



**DIRECTFIT™**  
SVI's DIRECT FIT™ BRAND



- Air Compressor Parts and Filters
- Auto Lift Parts for Any Brand
- Auto Lift Cables and Chain
- Auto Lift Power Units and Parts
- Auto Lift Sheaves / Pulleys and Chain Rollers
- Brake Lathe Repair Parts for All Makes
- Exhaust System Products
- Fluid Delivery Repair Parts
- Hose Reels and Hose Stops
- In-Ground Auto Lifts
- Lubrication Equipment Repair Parts
- Petroleum / Service Station Pump and Tank Products
- Repair Parts for Gasboy Consumer Series
- SESM Lifts for ATV/UTV, Golf Cart and More!
- Tire Changer Repair Parts
- Turf Attachments for 2-Post Lifts
- Vehicle Lifting Systems
- Wheel Balancer Accessories

## SVI International, Inc.

155 Harvestore Drive • DeKalb, IL 60115

**800-321-8173 • 815-748-0200**

FAX: 800-899-1784 • 815-748-0210

E-MAIL: [parts@sviintl.com](mailto:parts@sviintl.com)

Entire contents copyright © 2020, SVI International, Inc.

Information and Catalogs Online:  
[www.sviinternational.com](http://www.sviinternational.com)