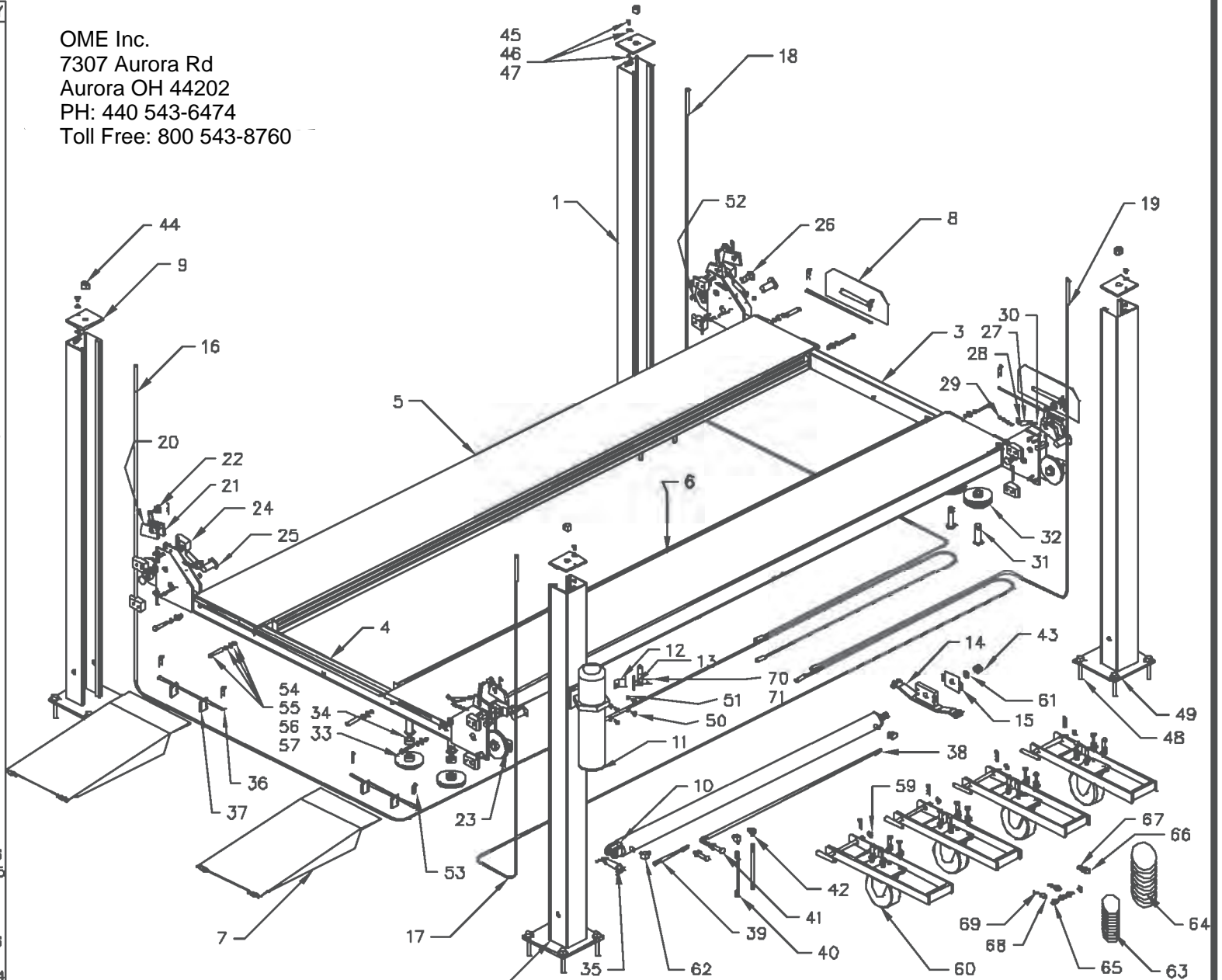


OME Inc.
 7307 Aurora Rd
 Aurora OH 44202
 PH: 440 543-6474
 Toll Free: 800 543-8760



#	ITEM NO.	DESCRIPTION	QTY
1.	5210287	OFFSIDE POST	3
2.	5210288	POWER SIDE POST	1
3.	5210290	CROSSSTUBE 4-SHEAVE	1
4.	5210289	CROSSSTUBE 2-SHEAVE	1
5.	5210284	OFFSIDE RAMP	1
6.	5210285	POWER SIDE RAMP	1
7.	5210294	APPROACH RAMP	2
8.	5210293	TIRE STOP ASSEMBLY	2
9.	5210815	POST TOP PLATE	4
10.	5502165	3"x70" CYLINDER	1
11.	5585079	POWER UNIT (AB-1466)	1
12.	5701190	AIR VALVE BRACKET	1
13.	5590175	AIR VALVE	1
14.	5210283	CYLINDER FLANGE ARM	1
15.	5731309	CABLE RETAINER PL.	1
16.	5595527	3/8" CABLE 333" LONG	1
17.	5595526	3/8" CABLE 277" LONG	1
18.	5595524	3/8" CABLE 170" LONG	1
19.	5595523	3/8" CABLE 114" LONG	1
20.	5210282	SAFETY #2	4
21.	5736821	SAFETY #1	4
22.	5575420	SLACK SAFETY SHEAVE	4
23.	5746607	SHEAVE ROLLER	4
24.	5716147	PLASTIC SLIDE BLOCK	16
25.	5505698	CR.TUBE SHEAVE AXLE	4
26.	5505699	SAFETY PIN	4
27.	5502195	AIR SAFETY CYLINDER	4
28.	5550410	1/8 NPT 90-DEG 1/4 BRASS FITT.	4
29.	5540145	3/4" x 4" SPRING	4
30.	5505625	1/4" FEMALE ROD END	4
31.	5505700	RAMP SHEAVE AXLE	4
32.	5746606	TWIN SHEAVE ROLLER	2
33.	5746607	SINGLE SHEAVE ROLLER	2
34.	5715364	RAMP SHEAVE SPACER	2
35.	5505695	1" x 3 1/2" CYL. PIN	1
36.	5746608	1/2" x 18 3/4" PIN	4
37.	5736622	APPROACH RAMP STOP	4
38.	5570735	1/4" HYDR HOSE 64" / 90-ST	1
39.	5570812	1/4" HYDR. HOSE 13" / ST-ST	1
40.	5570818	1/4" HYDR. HOSE 88" / ST-ST	2
41.	5550111	STR. FITT 2700-4-4	2
42.	5550103	90-DEG PWR UNIT FITT	1
43.	5535130	1-14 NYLOCK NUT	1
44.	5535997	5/8-11 NYLOCK NUT	4
45.	5530136	3/8-16 x 1 1/2" HEX BOLT	4
46.	5545130	3/8" LOCK WASHER	4
47.	5535170	3/8-16 HEX NUT	4
48.	5530455	3/4" x 4 3/4" ANCHDR BOLT	16
49.	5545535	C-SHIM	25
50.	5530260	5/16-18 x 3/4" HEX BOLT	4
51.	5535122	5/16-18 NYLOCK NUT	4
52.	5540275	E RING	8
53.	5505335	HAIRPIN CLIP	16
54.	5530221	1/2-13 x 3 1/2" HEX BOLT	8
55.	5545125	1/2" LOCK WASHER	24
56.	5545180	1/2" FLAT WASHER	24
57.	5535160	1/2-13 HEX NUT	24
58.	5530231	1/2-13 x 1 1/2" HEX BOLT	16
59.	5545170	3/4" FLAT WASHER	4
60.	5210997	CASTER KIT- OPTIONAL	4
61.	5545165	1" FLAT WASHER	1
62.	5550106	90-DEG FITT 2501-4-6	3
63.	5570785	COILED AIR HOSE	1
64.	5570795	1/4" POLY TUBING	1

#	ITEM NO.	DESCRIPTION	QTY
65.	5550395	1/4" UNION TEE FITTING	3
66.	5550370	STR. BULKHEAD FITTING	1
67.	5550371	1/4" POLY CONNECTOR	1
68.	5550405	BELL REDUCER	2
69.	5550380	1/8" x 1" CLOSE NIPPLE	2
70.	5530117	6-32 x 1 1/2" SLOT HEAD SCREW	2
71.	5535190	6-32 HEX NUT	2

NOTES: UNLESS OTHERWISE SPECIFIED

 PROJECTION APPROVED:	TOLERANCES: XX ± 0.02 XXX ± 0.005 FRACTIONS & 1/16 SUBTRACT 1/16 DIA. Ø ± 0.015 ANGLES ± 1/2" QTY 800'D	BEND-PAK 1645 LEMONWOOD DRIVE SANTA PAULA, CA 93060	
		HD-9ST	
DATE DDDIE 0A223	NEXT ASSY	MAT'L:	
		DATE: 10/14/04	REV.
SCALE: N/A			