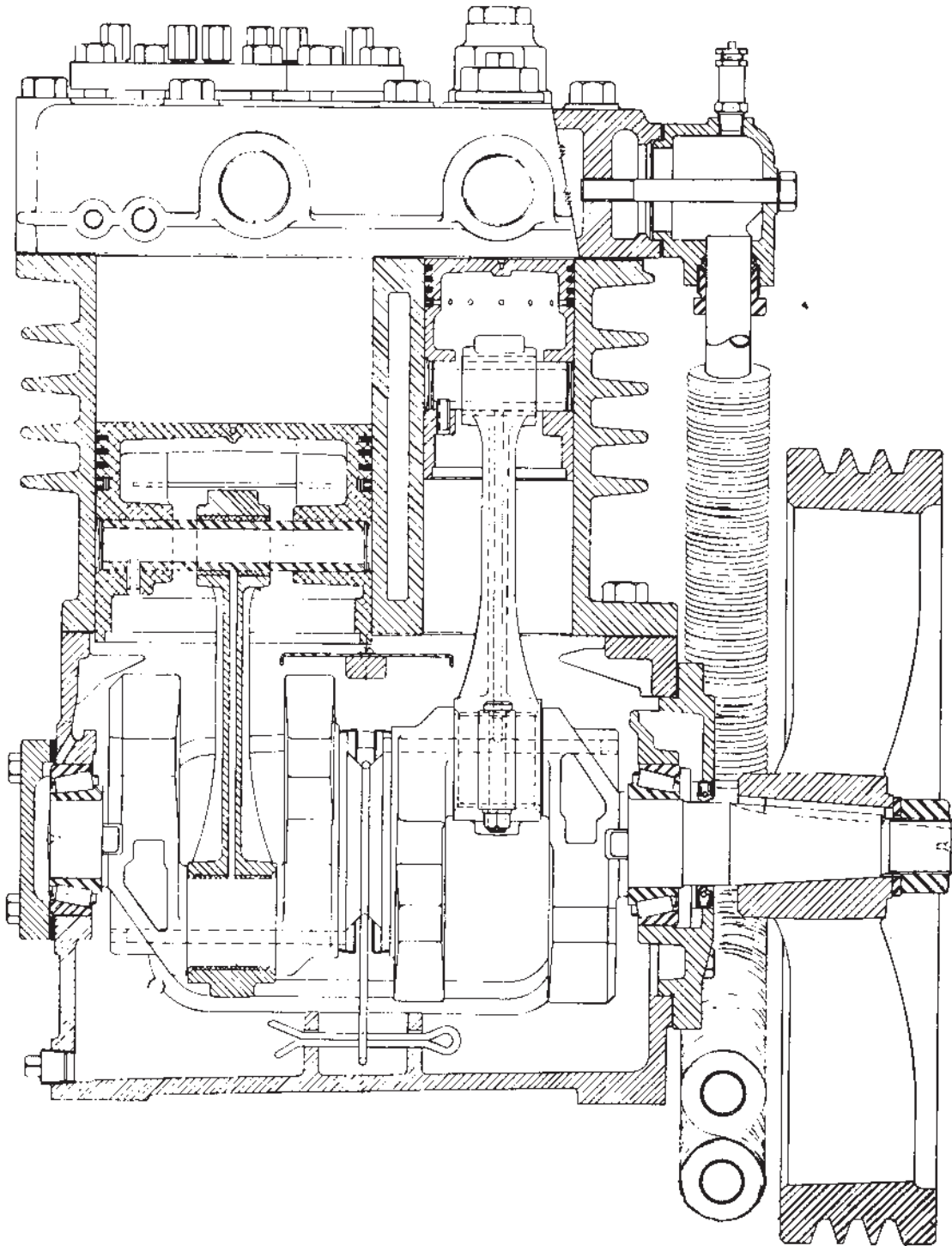


PANZITTA SALES & SERVICE
72 George Avenue
Wilkes-Barre, PA 18705
570-822-6720 800-822-6720
www.panzittasales.com

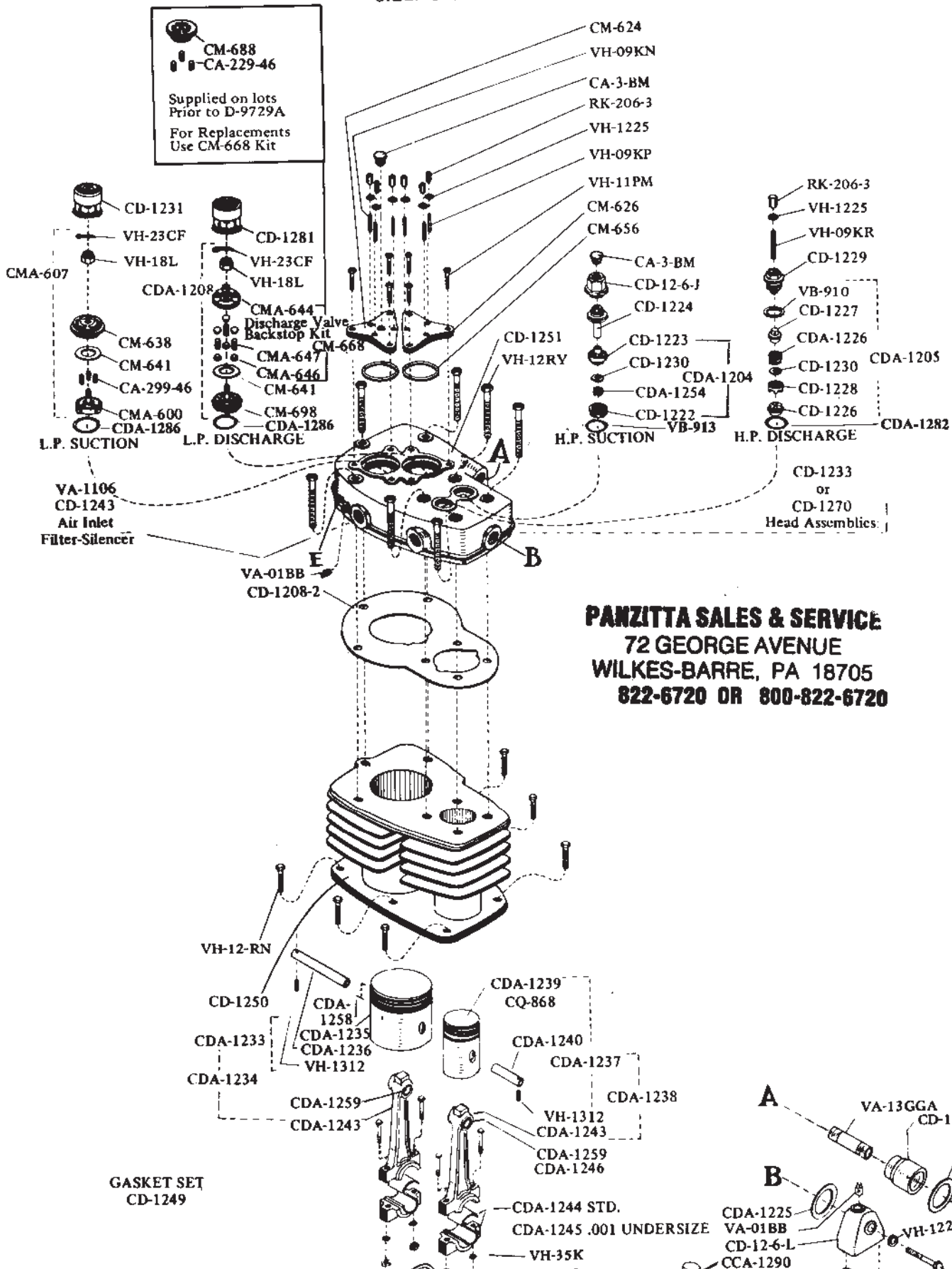
PARTS LIST
CURTIS AIR COMPRESSOR
MODEL D-97 TWO STAGE
LOT NO. D-9727A AND LARGER

SIZE: 6-1/4" - 3-3/8" x 3-3/4"



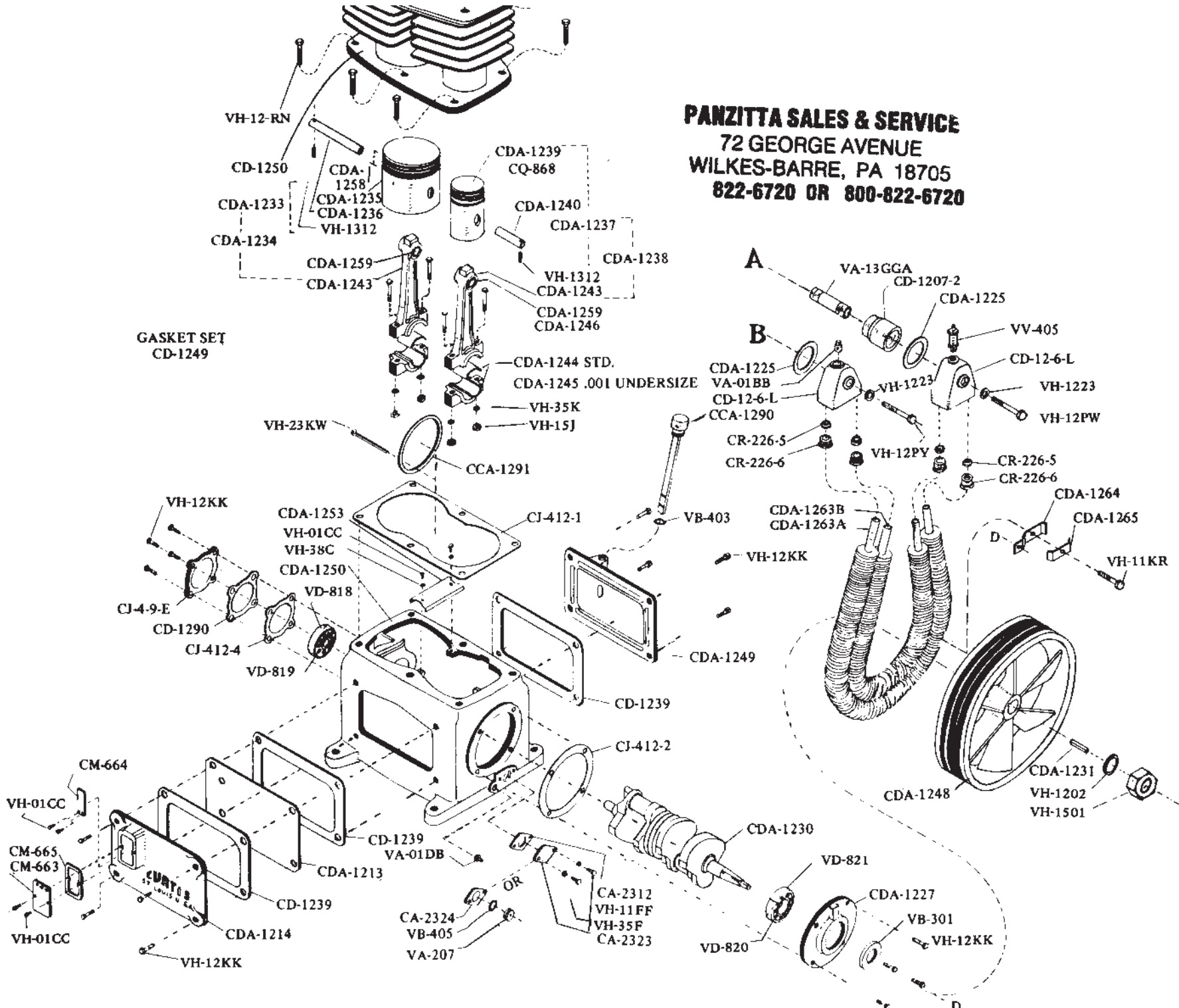
CURTIS AIR COMPRESSOR MODEL D-97 TWO STAGE LOT NO. D-9727A AND LARGER

SIZE: 6-1/4" x 3-3/8" x 3-3/4"



PANZITTA SALES & SERVICE
72 GEORGE AVENUE
WILKES-BARRE, PA 18705
822-6720 OR 800-822-6720

PANZITTA SALES & SERVICE
72 GEORGE AVENUE
WILKES-BARRE, PA 18705
822-6720 OR 800-822-6720



GASKET SET
 CD-1249

- VH-12-RN
- CD-1250
- CDA-1233
- CDA-1234
- CDA-1258
- CDA-1235
- CDA-1236
- VH-1312
- CDA-1239
- CQ-868
- CDA-1240
- CDA-1237
- CDA-1238
- CDA-1259
- CDA-1243
- VH-1312
- CDA-1243
- CDA-1259
- CDA-1246

- CDA-1244 STD.
- CDA-1245 .001 UNDERSIZE
- VH-35K
- VH-15J

- VH-23KW
- VH-12KK
- CDA-1253
- VH-01CC
- VH-38C
- CDA-1250
- VD-818
- CJ-4-9-E
- CD-1290
- CJ-412-4
- VD-819

- CM-664
- VH-01CC
- CM-665
- CM-663
- VH-01CC
- CD-1239
- CDA-1213
- CD-1239
- CDA-1214
- VH-12KK

- CA-2324
- VB-405
- VA-207
- OR
- CA-2312
- VH-11FF
- VH-35F
- CA-2323

- A
- VA-13GGA
- CD-1207-2
- CDA-1225
- B
- VV-405
- CD-12-6-L
- CDA-1225
- VA-01BB
- CD-12-6-L
- CCA-1290
- CR-226-5
- CR-226-6
- VH-1223
- VH-1223
- VH-12PW
- VH-12PY
- CR-226-5
- CR-226-6
- CDA-1263B
- CDA-1263A
- CDA-1264
- CDA-1265
- VH-11KR
- D
- VH-12KK
- VB-403
- CJ-412-1
- CDA-1249
- CD-1239
- CJ-412-2
- CDA-1248
- CDA-1231
- VH-1202
- VH-1501
- CDA-1230
- VD-821
- VD-820
- CDA-1227
- VB-301
- VH-12KK

PARTS LIST

MODEL D-97 TWO STAGE

LOT NO. D-9727A AND LARGER

| HEAD ASSEMBLY | | | PISTON - PIN - RINGS - CONNECTING ROD & BEARINGS | | |
|---------------|------------|--|--|------------|---|
| Part No. | No. Req'd. | DESCRIPTION | Parts No. | No. Req'd. | DESCRIPTION |
| CA-3-BM | 2 | Solid Cap | | | PISTON - PIN L.P. Piston with Rings and Pin. (Std. Assembly) L.P. Piston with Rings and Pin .010 Oversize L.P. Piston with Rings and Pin (.030 Oversize) L.P. Piston and Rod with Rings, Pin and Bearing (Std. Assembly) L.P. Piston L.P. Piston Pin H.P. Piston with Rings and Pin (Std. Assembly) H.P. Piston with Rings and Pin (.010 Oversize) H.P. Piston with Rings and Pin (.030 Oversize) H.P. Piston and Rod with Rings, Pin and Bearing (Std. Assembly) H.P. Piston H.P. Piston Pin Locking Pin |
| CA-299-46 | 6 | Suction and Discharge Springs (L.P.) | CDA-1233 | 1 | |
| CP-615-6 | 1 | Suction Valve Cap (H.P.) | | | |
| CD-1208-2 | 1 | Head Gasket | CDA-1233-010 | 1 | |
| CD-1222 | 1 | Suction Valve Retainer (H.P.) | | | |
| CD-1223 | 1 | Suction Valve Seat (H.P.) | CDA-1233-030 | 1 | |
| CD-1224 | 1 | Suction Valve Plug (H.P.) | | | |
| CD-1226 | 1 | Discharge Valve Seat (H.P.) | ** CDA-1234 | 1 | |
| CD-1227 | 1 | Discharge Valve Backstop (H.P.) | | | |
| CD-1228 | 1 | Discharge Valve Guide (H.P.) | CDA-1235 | 1 | |
| CD-1229 | 1 | Discharge Valve Plug (H.P.) | CDA-1236 | 1 | |
| CD-1230 | 2 | Valve Disc (H.P.) | CDA-1237 | 1 | |
| CD-1231 | 2 | Valve Spacer (L.P.) | | | |
| CD-1243 | 1 | Air Inlet Filter Silencer use VA-1106 | CDA-1237-010 | 1 | |
| CD-1251 | 1 | Cylinder Head | | | |
| CD-1270 | 1 | Head Assembly for Air Pressure Unloader | CDA-1237-030 | 1 | |
| CDA-1204 | 1 | Suction Valve Assembly High Pressure | | | |
| CDA-1205 | 1 | Discharge Valve Assembly High Pressure | ** CDA-1238 | 1 | |
| CMA-607 | 1 | Suction Valve Assembly Low Pressure | | | |
| CDA-1208 | 1 | Discharge Valve Assembly Low Pressure | CDA-1239 | 1 | |
| CDA-1226 | 1 | Discharge Valve Spring (H.P.) | CDA-1240 | 1 | |
| CDA-1254 | 1 | Suction Valve Spring (H.P.) | VH-1312 | 2 | |
| CDA-1282 | 1 | Valve Gasket (H.P.D.V.) | | | |
| CDA-1286 | 2 | Valve Gasket (L.P.S.V.) | | | |
| CM-624 | 1 | Suction Valve Cover Plate (L.P.) | | | |
| CM-626 | 1 | Discharge Valve Cover Plate (L.P.) | CDA-1258 | 1 | |
| CM-638 | 1 | Suction Valve Seat (L.P.) | CDA-1258-010 | 1 | |
| CM-641 | 2 | Valve Disc (L.P.) | | | |
| CMA-644 | 1 | Discharge Valve Backstop | CDA-1258-030 | 1 | |
| CMA-646 | 6 | Discharge Valve Spring Button | | | |
| CMA-647 | 3 | Discharge Valve Spring | CQ-868 | 1 | |
| CM-656 | 2 | Valve Cover Plate Gasket (L.P.) | CQ-868-010 | 1 | |
| CM-668 | 1 | Discharge Valve Backstop (L.P.) Kit | | | |
| CM-698 | 1 | Discharge Valve Seat Assembly (L.P.) | CQ-868-030 | 1 | |
| CMA-600 | 1 | Suction Valve Backstop (L.P.) | | | |
| VA-01BB | 1 | 1/4" Pipe Plug | | | |
| VH-23CF | 2 | Cotter 3/32 x 3/4 | | | |
| VB-910 | 1 | Copper Asbestos Gasket 1-15/16 x 1-11/16 x 1/16 | CDA-1243 | 2 | |
| VB-913 | 1 | Valve Gasket (H.P.) | CDA-1243-001 | 2 | |
| VA-13GGA | 1 | Pipe Nipple 1-1/4 x 4 | | | |
| VH-12RY | 7 | Hex Head Cap Screws 5/8" N.C. x 4-1/2" | CDA-1244 | 2 | |
| RK-206-3 | 7 | Stud Nuts 3/8-16 NC | CDA-1245 | 2 | |
| VH-1225 | 7 | Solid Copper Washers 9/16 x 25/64 | | | |
| VA-1106 | 1 | Air Inlet Filter Silencer | CDA-1246 | 4 | |
| VH-09KN | 3 | Hex Hollow Head Flat Point Set Screw 3/8 NC x 1-3/4 | CDA-1259 | 2 | |
| VH-09KP | 3 | Hex Hollow Head Flat Point Set Screw 3/8 NC x 2 | VH-35K | 4 | |
| VH-09KR | 1 | Hex Hollow Head Flat Point Set Screw 3/8 NC x 2-1/2 | VH-15J | 4 | |
| VH-18L | 2 | Castellated Nut 7/16 - 20 NF | | | |
| VH-11PM | 6 | Hex Head Cap Screw 1/2" NC x 1-1/2 | | | |

**For Oversize Assembly Order Oversize Piston, Assembly and Std. or Undersize Rod Assembly as Req'd.
Refer to master parts price list for prices.

PARTS LIST

MODEL D-97 TWO STAGE

LOT NO. D-9727A AND LARGER

PANZITTA SALES & SERVICE
 72 GEORGE AVENUE
 WILKES-BARRE, PA 18705
 822-6720 OR 800-822-6720

| Part No. | No. Req'd. | DESCRIPTION |
|-----------------------------|------------|---|
| CRANKSHAFT | | |
| CDA-1230 | 1 | Crankshaft Complete Less Bearings . . . |
| CDA-1232 | 1 | Crankshaft Complete with Bearing Cones |
| VD-819 | 1 | Roller Bearing Cone No. 3578 (Small End Plate Side) |
| VD-818 | 1 | Roller Bearing Cup No. 3525 (Small End Plate Side) |
| VD-820 | 1 | Roller Bearing Cone No. 3780 (Large End Plate Size) |
| VD-821 | 1 | Roller Bearing Cup No. 3720 (Large End Plate Side) |
| FLYWHEEL & PARTS | | |
| CDA-1231 | 1 | Crankshaft Key |
| CDA-1248 | 1 | Flywheel 3B Groove |
| VH-1202 | 1 | Lockwasher Split 1" Std. |
| VH-1501 | 1 | Hex Nut 1" - 14 NF |
| INTERCOOLER | | |
| CD-12-6-L | 2 | Intercooler Manifolds |
| CDA-1225 | 2 | Intercooler Gaskets |
| CDA-1263-A | 1 | Intercooler Outer Tube with Sleeves . . . |
| CDA-1263-B | 1 | Intercooler Inner Tube with Sleeves . . . |
| CDA-1264 | 1 | Intercooler Bracket |
| CDA-1265 | 1 | Intercooler Clamp |
| CR-226-5 | 4 | Intercooler Sleeves |
| CR-226-6 | 4 | Intercooler Nuts |
| VH12-PW | 1 | Hex Head Cap Screw 1/2NC x 3-3/4 . . . |
| VH-35K | 1 | Lockwasher 3/8 |
| VA-01BB | 1 | Pipe Plug 1/4" |
| VH-1223 | 2 | Solid Copper Washers 17/32 x 45/64 . . . |
| VH-11KR | 1 | Hex Head Cap Screw 3/8NC x 2-1/2 . . . |
| VRD-480 | 1 | Hex Head Cap Screw 1/2" NC x 4-1/2 . . . |
| VV-405 | 1 | Intercooler Pop Safety Valve 70 lbs. . . . |

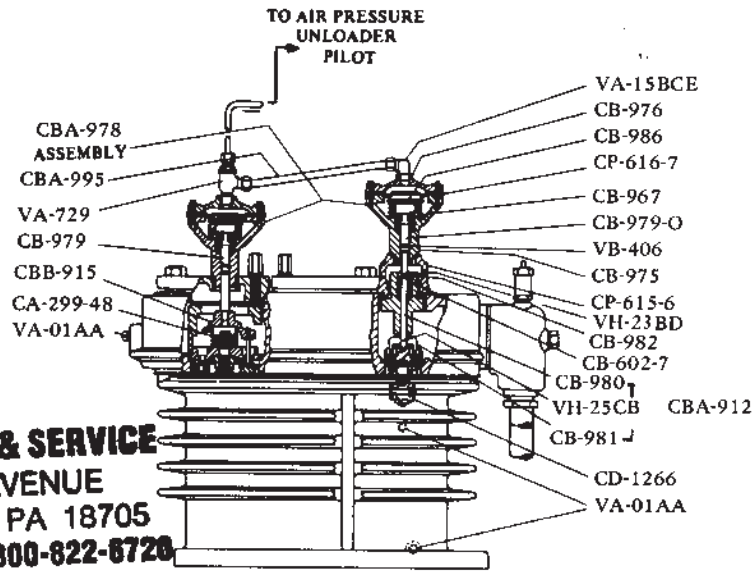
| Part No. | No. Req. | DESCRIPTION |
|-------------------|----------|---|
| BODY PARTS | | |
| CA-2312 | 1 | Gasket Flange Cover Plate |
| CA-2323 | 1 | Flange Cover Plate |
| CA-2324 | 1 | Flange for Oil Sight Glass |
| CCA-1290 | 1 | Oil Dip Stick with "O" Ring |
| CCA-1291 | 1 | Oiling Ring |
| CD 1239 | 3 | Side Door Gasket |
| CD 1249 | 1 | Gasket Set |
| CD 1250 | 1 | Cylinder |
| CD-1290 | 1 | Small End Plate Shim Set |
| CDA-1213 | 1 | Side Door Baffle |
| CDA-1214 | 1 | Side Door with Breather Port |
| CDA-1227 | 1 | Large End Plate with Bearing Cup and Oil Seal |
| CDA-1249 | 1 | Side Door with Dip Stick Opening |
| CDA-1250 | 1 | Crankcase |
| CDA-1253 | 1 | Oil Baffle |
| CJ-412-1 | 1 | Cylinder to Crankcase Gasket |
| CJ-412-2 | 1 | Large End Plate Gasket |
| CJ-412-4 | 2 | Small End Plate Gasket |
| CJ-4-9-F | 1 | Small End Plate |
| CM-663 | 1 | Breather Cover |
| CM-664 | 1 | Breather Valve |
| CM-665 | 1 | Breather Cover Gasket |
| VH-01CC | 4 | Round Head Machine Screws 10-32 x 3/8 . . |
| VH-12KK | 16 | Hex Head Cap Screws 3/8 NC x 1-1/4 |
| VH-35F | 2 | Lockwasher Split 1/4" Std. |
| VH-12RN | 6 | Hex Head Cap Screws 5/8-NC x 1-3/4 |
| VH-11FF | 2 | Hex Head Cap Screws 1/4-NC x 3/4 |
| VH-23KW | 1 | Cotter 5/16 x 3-3/4 |
| VA-207 | 1 | Sight Glass (oil) |
| VB-301 | 1 | Oil Seal Garlock No. 65 x 1057 |
| VB-403 | 1 | "O" Ring No. 115-7507 |
| VB-405 | 1 | "O" Ring No. 114-7507 |
| VH-38C | 2 | Lockwashers Shake Proof No. 10 Internal . |
| VA-01DB | 1 | Pipe Plug 1/2" |

Refer to Master Parts Price List for prices.

PARTS LIST

UNLOADER ASSEMBLIES

AIR PRESSURE UNLOADER ASSEMBLY



PANZITTA SALES & SERVICE
 72 GEORGE AVENUE
 WILKES-BARRE, PA 18705
 822-6720 OR 800-822-6720

| Part No. | No. Req'd. | DESCRIPTION |
|-----------|------------|---|
| CA-299-48 | 1 | Spring Unloader Fork (L.P.) |
| CBA-995 | 1 | Unloader Tubing Head |
| CBA-978 | 2 | Diaphragm Unloader Assembly 40 lbs. |
| CB-602-7 | 1 | Spring (H.P.) |
| CB-967 | 2 | Unloader Diaphragm Spring |
| CB-975 | 2 | Unloader Diaphragm Body |
| CB-976 | 2 | Unloader Diaphragm Cap |
| CB-979-O | 2 | Grooved Unloader Pins |
| CB-980 | 1 | Unloader Pin (H.P.) |
| CB-981 | 1 | Unloader Fork (H.P.) |
| CB-982 | 1 | Unloader Pin Washer (H.P.) |
| CBB-915 | 1 | Unloader Fork Assembly (L.P.) |
| CB-986 | 2 | Unloader Diaphragm Piston Assembly 40 lbs. |
| CBA-912 | 1 | Unloader Fork Assembly (H.P.) |

| Part No. | No. Req'd. | DESCRIPTION |
|----------|------------|---|
| CD-1266 | 1 | Unloader Hole Plug |
| CD-1270 | 1 | Head Assembly for Air Pressure Unloader |
| CP-616-7 | 2 | Unloader Diaphragm |
| VH-23BD | 1 | Cotter 1/16 x 1/2" |
| VA-01AA | 3 | Pipe Plug 1/8" |
| VH-03CF | 16 | Fillister Head Machine Screw No. 10-32 x 3/4 |
| VA-15BCE | 1 | Copper Tube Elbow 1/4" MPT x 1/4" OD Ball Solder less Tee 1/4" MPT x 1/4" FPT x 1/4" OD |
| VA-729 | 1 | Roll Pin 3/32 x 1/4 |
| VH-25CB | 1 | "O" Ring No. 010-7507 |
| VB-406 | 1 | Lock Nut |
| CB-613-8 | 2 | Thread Protector, 1/8" |
| VB-809 | 2 | Thread Protector, 1/4" |
| VB-810 | 2 | Thread Protector, 1/4" |

Refer to Master Parts Price List for prices.