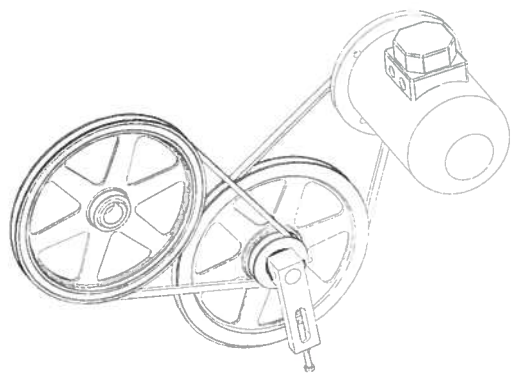
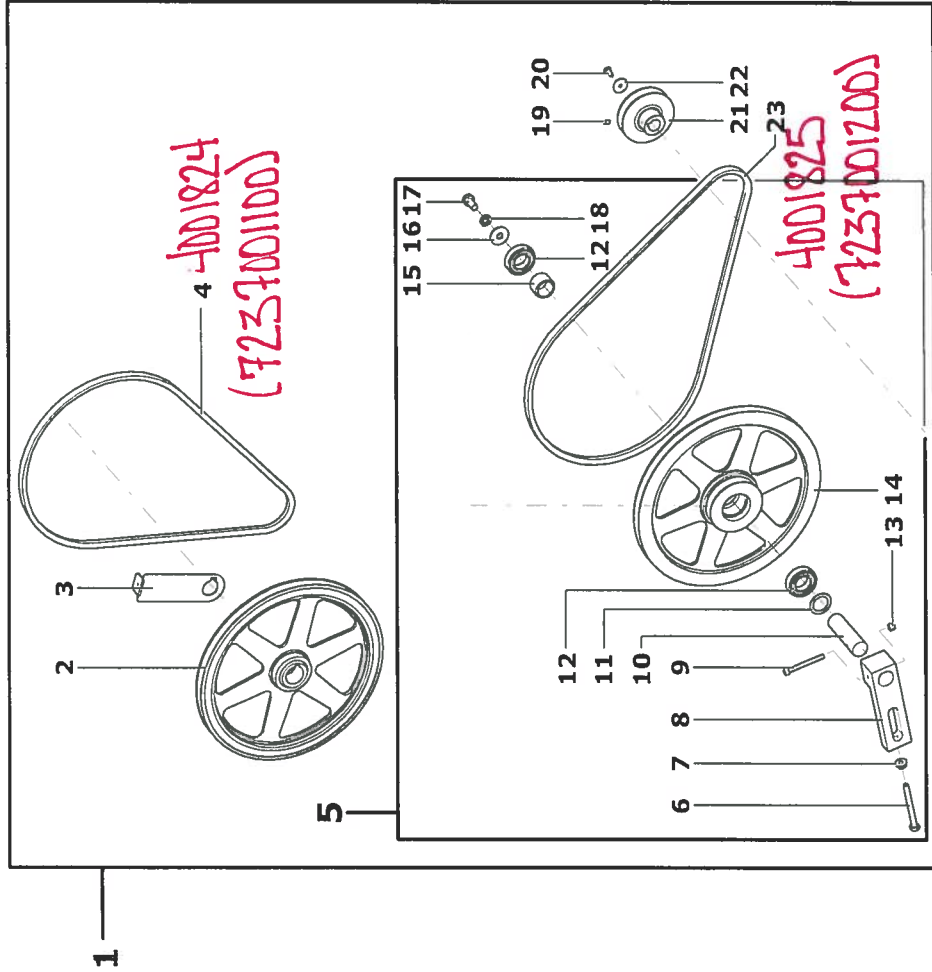


## RECOMMENDED SPARE PARTS FOR *CleverMix 20 ST*

Code	SAP Code	Description
6553003535	4000506	1HP 4P B5 BONORA SELFBREAKING MOTOR
72440M0950	4001689	M300 PLATE D=360MM
20200M0769	4001677	M310 TRANSPAR.TERMOFOR.SLIDIND DOOR
6142000850	4000457	M300 DEGREE TIMER
4000011800	4001530	63006-2RS1 SKF BEARING
4000008200	4001531	BALL BEARING 91904 2RS1
6132000600	4004632	PROXIMITY M12 PNP NC
7237001100	4001824	TEXROPE A48 "V" BELT
7237001200	4001825	TEXROPE A49 "V" BELT
7237031450	4001826	BELT TOOTH 750RPP5-M22
7237390057	4001532	BELT 10R995 675 Z135
4000010000	4001802	6005-2RS1 BALL BUSHING
4020000700	4001804	51103 AXIAL BALL BEARING
4000006000	4001800	6302-2RS1 BALL BUSHING
4000004400	4001798	6301-2RS1 BALL BUSHING
4030001400	4001924	BEARING OBL. 3207A-2RS1 SKF
5K00000995	201814	WHITE LED INDICATOR L
5K00000985	201813	EMERGENCY BUTTON KIT
6562100210	4000495	TRASFORMATORE 1000VA 100-110-127
6532001000	4000465	LIMIT SWITCH FR1152-3NC

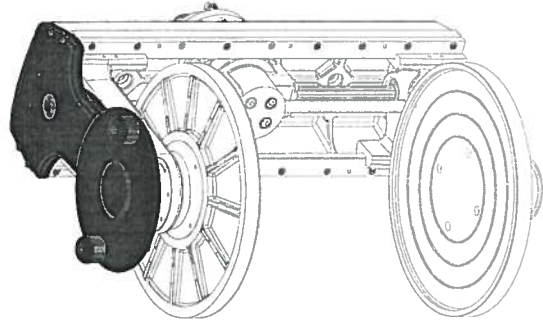
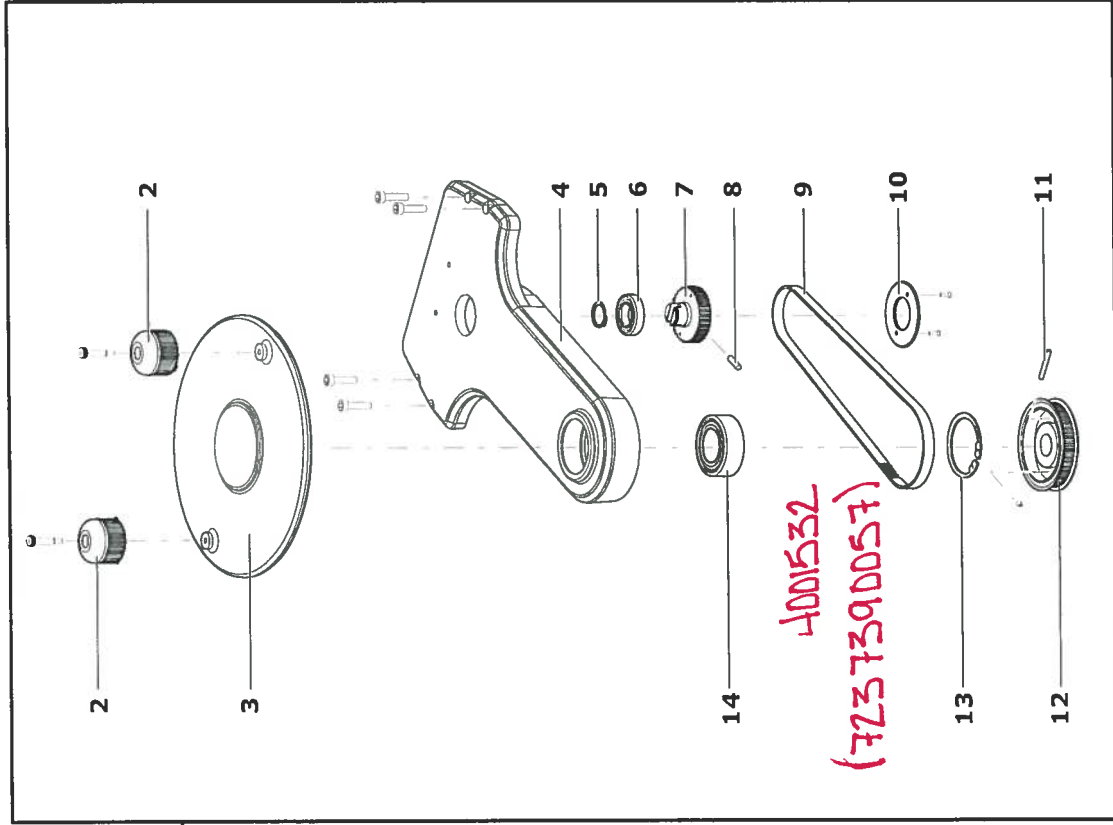


Clearmix 2D

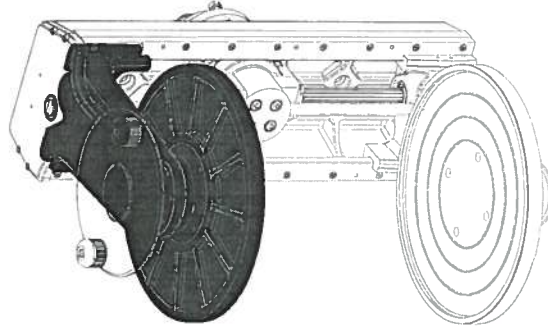
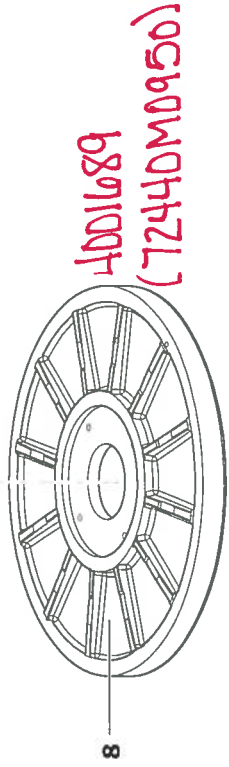
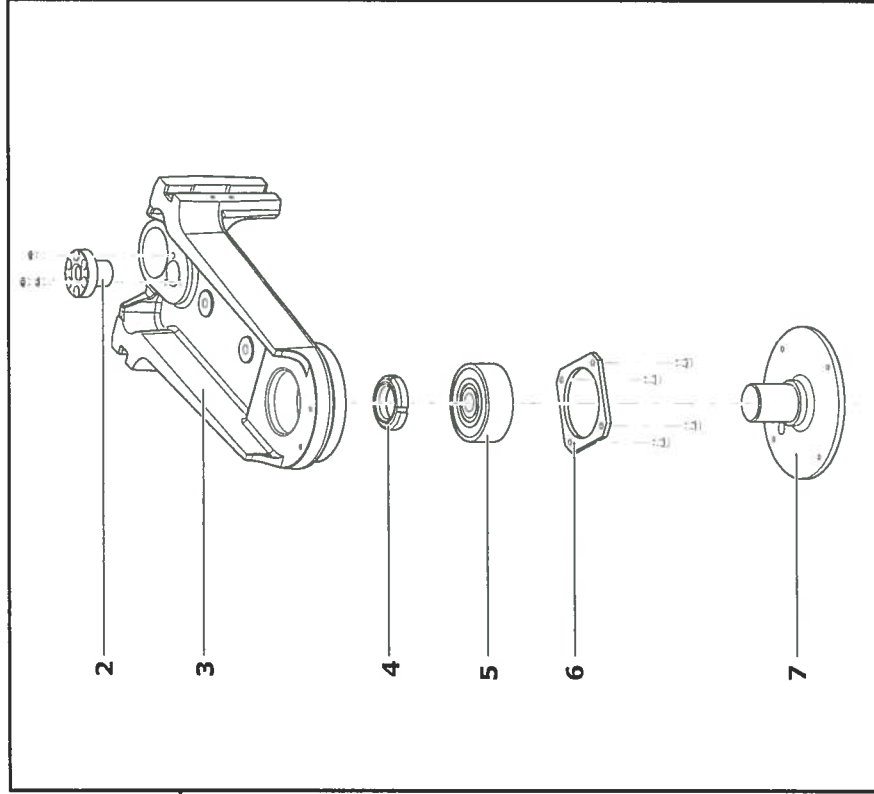
CPSCOLOR™  
any colour you see

Meccanica giroscopica  
Gyroscopic mechanics  
Mecánica giroscópica

Mécanique gyroscopique  
Biaxialmechanik



TAV. T. M. 002\_00



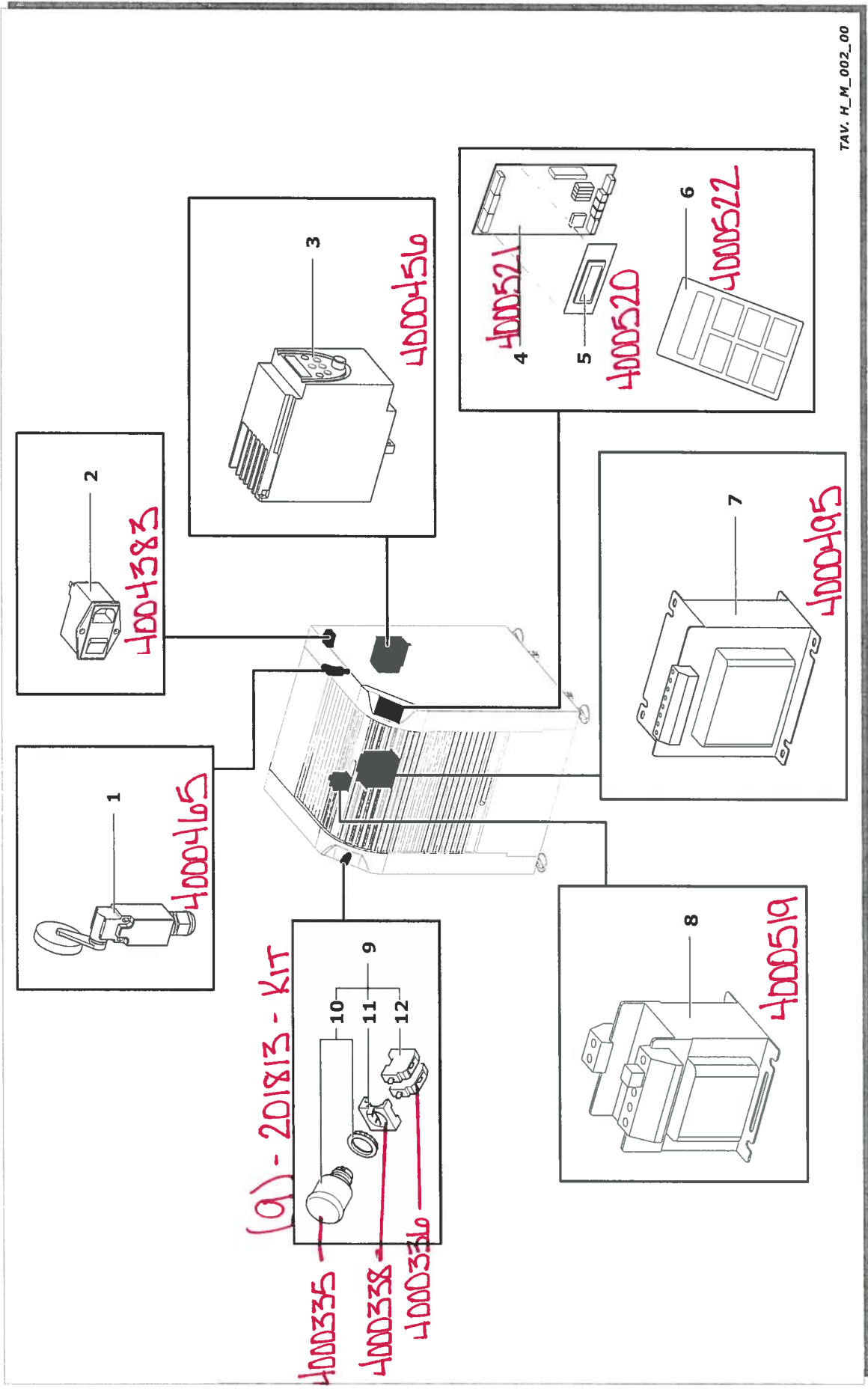
Clevertmix 2D PR

CPSCOLOR<sup>TM</sup>  
any colour you see

Componenti elettrici PR

Electric components PR  
Componentes eléctricos PR

Composants électriques PR  
Elektrischekomponenten PR



TAV. H\_M\_002\_00

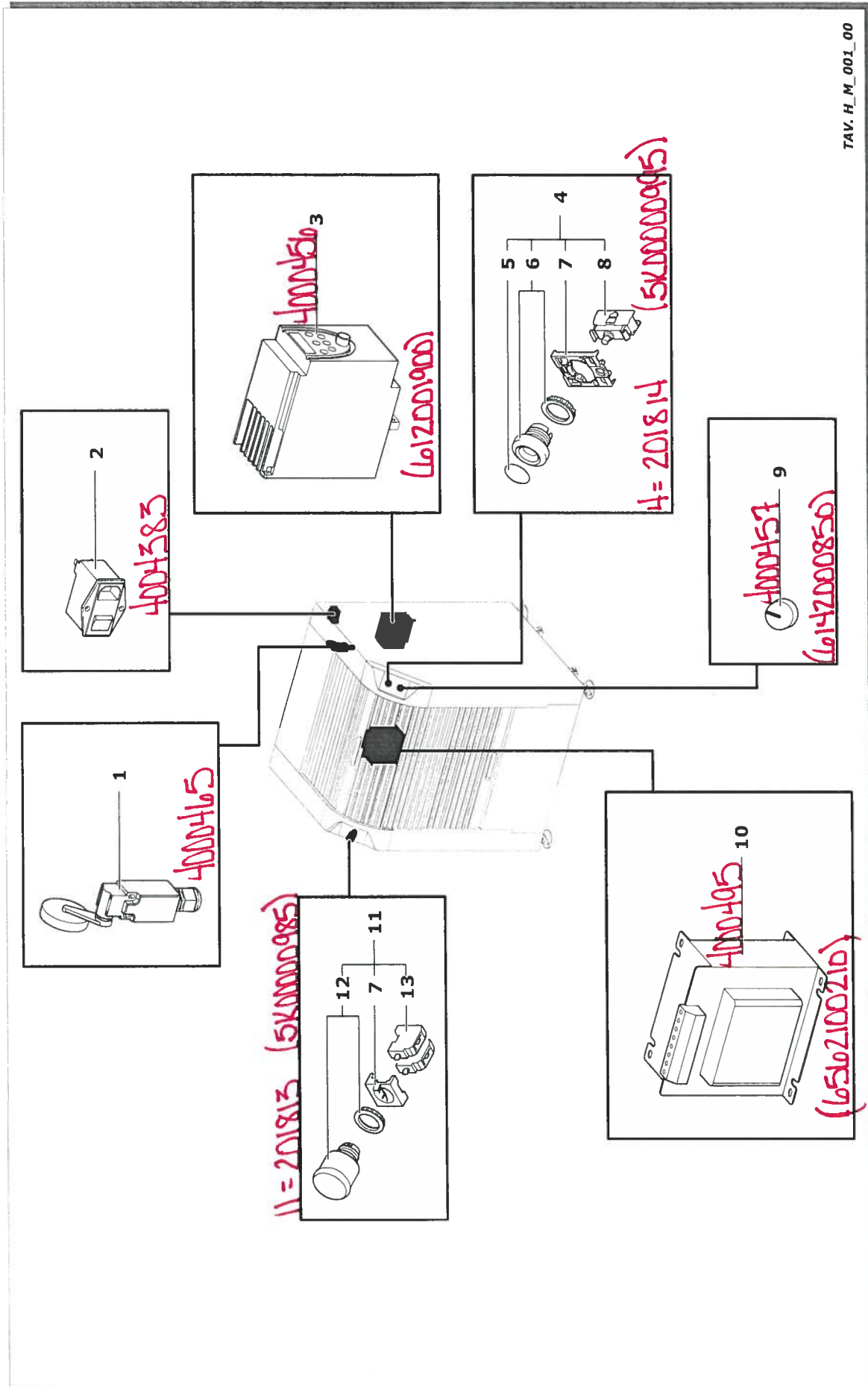
# Clevermix 20 ST

## Componenti elettrici ST

Electric components ST  
Componentes eléctricos ST

CPS-COLOR™  
any colour you see

Composants électriques ST  
Elektrischekomponenten ST



TAV. H. M. 001\_00