

COROB™ EVOshake 500

Vibrational shaker

Varaosaluettelo / Spare Part List



Corob Oy

Spare Part List

Vibrational shaker

COROB™ EVOshake 500

Version 1.0 RA (01/2016)

© COPYRIGHT 2016, COROB Oy
All rights reserved in all countries

If you require additional copies of this manual or further technical information about it, please write to:

COROB Oy
Päivöläntie 5 • FIN-28400 Ulvila • FINLAND
Tel: +358 20 171 0400 • Fax: +358 2 674 4770
Web site: www.corob.com
E-mail: corob.oy@corob.com

INTELLECTUAL PROPERTY RIGHTS AND DISCLAIMER

No part of this manual may be translated into any other languages and/or adapted and/or reproduced in any form, or by any means, electronic or mechanical, including but not limited to photocopying and recording, without prior written permission of COROB Oy.

COROB™ is a registered trademark and/or commercial trademark used on an exclusive basis by COROB Oy and its affiliated companies (hereinafter "COROB").

A failure of a trademark to appear hereunder does not mean that COROB does not use the trademark in question nor does it constitute a waiver by COROB of any related intellectual property rights.

Valuable proprietary technical information contained in the present manual are referring to proprietary know-how, designs, drawings and/or applications used on an exclusive basis by COROB frequently covered by Patents and/or Patent Applications and thus protected by International and National Intellectual Property Laws.

Unless otherwise indicated, all references to other companies other than COROB and its affiliated companies, their names, data and addresses used in the screens and/or examples are purely coincidental and serve as a reference only to clarify the use of the COROB™ products.

COROB has carefully reviewed the wording and images contained in the present manual, nevertheless COROB reserves the right to modify and/or update the information herein to correct editorial errors and/or inaccuracy of the information herein without notice or commitment on its part.

The present manual contains all information necessary for the foreseeable and normal use of the COROB™ products by the final user.

The manual does not contain guidelines and/or information for product repair. For safety reasons, only trained and authorized technical personnel should perform such interventions. Failure to do so may result in personal injury or damage to the product.

For the purpose mentioned above, COROB has appointed authorized technical personnel.

Authorized technical personnel shall mean technicians who have attended a technical training course held by COROB and/or its affiliated companies.

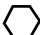
Unauthorized interventions could void the warranty coverage of your COROB™ product pursuant to the sales contract or to the General Sales Conditions of COROB. COROB can be held responsible only within the limits of the warranty coverage provided by the General Sales Conditions.

COROB does not intend to limit or exclude its liability against any statutory provisions under any applicable law. Therefore the reference to above warranty limitations or exclusions may not apply.

The final user can ask COROB or visit the web site www.corob.com for contact details about the nearest authorized technical service.

Varaosakirjan käytöstä

Varaosaluettelo koostuu sisällysluettelosta, varaosakuvista, varaosataulukoista sekä hinnastosta. Taulukossa osat ovat lueteltuna numerojärjestyksessä. Luetteloon on merkitty myös koodittomia varaosia, joita ei voi erikseen tilata. Näillä osilla on yleensä DIN numero.

Kuvissa  -merkityistä osanumeroista ([sininen](#)) on linkki alikokoonpanoon.

Varaosaluettelo on voimassa toistaiseksi.

Varaosille annamme kuuden (6) kuukauden takuun.


Varaosien tilaaminen

Varaosia voit tilata joko

- sähköpostitse: **service_fi@corob.com** tai
- puhelimitse: **020 1710 400**

Use of the spare part manual

The spare part catalogue consists of a list of contents, pictures of spare parts, spare part tables and price list. In a table the parts are listed in numerical order. The catalogue also includes spare parts without a code that cannot be ordered separately. These parts have usually a DIN number.

If the part number ([blue](#)) is marked with  , you can jump to a subassembly.

The spare part catalogue is valid until further notice.

The spare parts have six-month warranty.

How to order spare parts

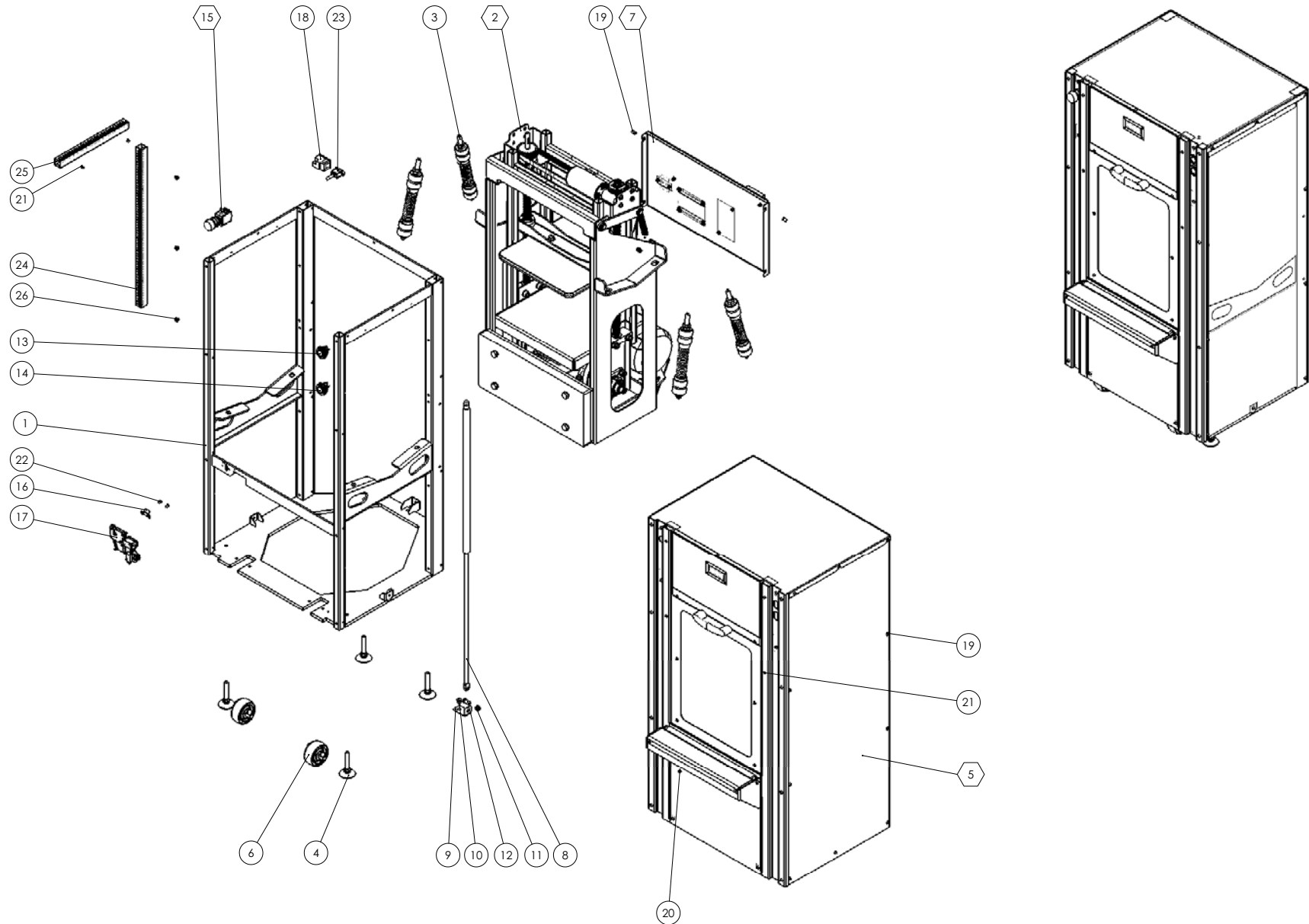
You can order spare parts from COROB Oy by

- e-mail: **service_fi@corob.com** or
- phone: **+358 20 171 0400**

Sisällysluettelo Table of contents

V47810 EVOSHAKE 500	2
V47897 Ravistusyksikkö kp ... Shaking unit assy	4
V47894 Keskirunko kp ... Middle frame assy.....	6
V47653 Vastapaino kp ... Counter weight assy	8
V47895 Sisärunko kp ... Inner frame assy.....	10
V47643 Ylälautanen ... Upper plate	12
V47839 Suoja kp ... Cover assy.....	14
V47836 Ovi kp ... door assy.....	16
V47938 Kannake kp ... support assy	18
V48133 Etulevy kp ... Frontal sheet assy	20
V48125 Kotelo kp ... Casing assy.....	22
V48219 Hätäseisäskytkin kp ... Emergency switch assy.....	24
V48191 Sähkökaavio ... Electrical chart	26

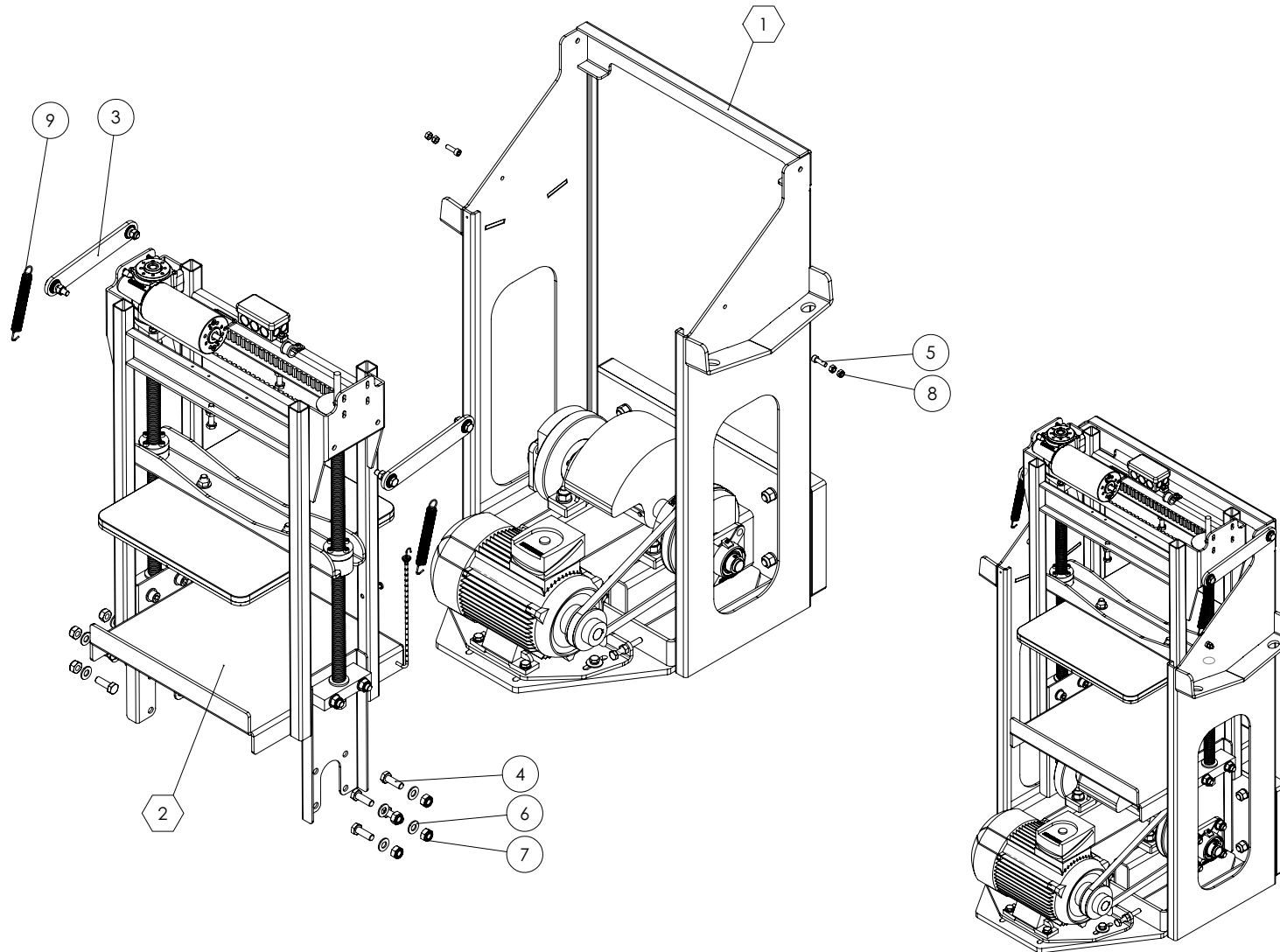
V47810 EVOSHAKE 500



V47810 EVOSHAKE 500

No	Koodi Code	Ver	Osa	Part	Spesifikaatio (sivu) Specification (page)
1	V47714	6	RUNKO HKP	FRAME WELD ASSY	OUTER BODY
2	V47897	1	RAVISTUSYKSIKKÖ KP	SHAKING UNIT ASSY	(4)
3	V47624	2	VAIMENNIN	DAMPER	
4	V47664	0	JALKA	FOOT	
5	V47839	1	SUOJA	COVER	(14)
6	V48121	1	PYÖRÄ KP	WHEEL ASSY	
7	V48125	0	KOTELO KP	CASING ASSY	(22)
8	V47959	0	KAASUJOUSI	GAS SPRING	STROKE 500MM
9	V47960	0	KIINNITYSLEVY	ADAPTER PLATE	FOR GAS SPRING
10	V42718	0	KUUSIORUUVI	HEXAGON SCREW	M8 x 10 DIN 933 8.8 ZN
11	V41424	0	LUKITUSMUTTERI	LOCKING NUT	M8 DIN 985
12	V42456	0	KUUSIORUUVI	HEXAGON SCREW	M8 x 20 DIN 933 8.8 Zn
13	V48181	0	KYTKIN (SÄHK)	SWITCH	WITH GREEN LED
14	V48218	0	KYTKIN (SÄHK)	SWITCH	WITH RED LED
15	V48219	0	HÄTÄSEISKYTKIN KP	EMERGENCY SWITCH ASSY	(24)
16	V48216	0	SUOJALEVY	PROTECTING PLATE	LOCK GUIDE
17	V48111	0	LUKKOLAITE	LOCK DEVICE	
18	V48234	0	VERKKOSUODIN SIS.SULAKKEEN PITIMEN + 2 SULAKETTA	MAINS FILTER	SCHURTER KMF1.1191.11
19	V46595	0	KUUSIOKOLORUUVI	ALLEN SCREW	M5 x 12 ISO 7380 ZN
20	V40460	0	LUKITUSMUTTERI	LOCKING NUT	M5 DIN 982
21	V48145	0	KUUSIOKOLORUUVI	ALLEN SCREW	M4 x 6 ISO 7380
22	V43694	0	KUUSIOKOLORUUVI	ALLEN SCREW	M4 x 8 DIN 912
23	V48221	0	JOHTO	CABLE	USB CABLE
24	V48240	0	KAAPELIKOURU	CABLE TRAY	25x25 L=600
25	V48239	0	KAAPELIKOURU	CABLE TRAY	25x25 L=300
26	V48215	0	PELTIRUUVI	SELF-TAPPING SCREW	4,2x13 ZN

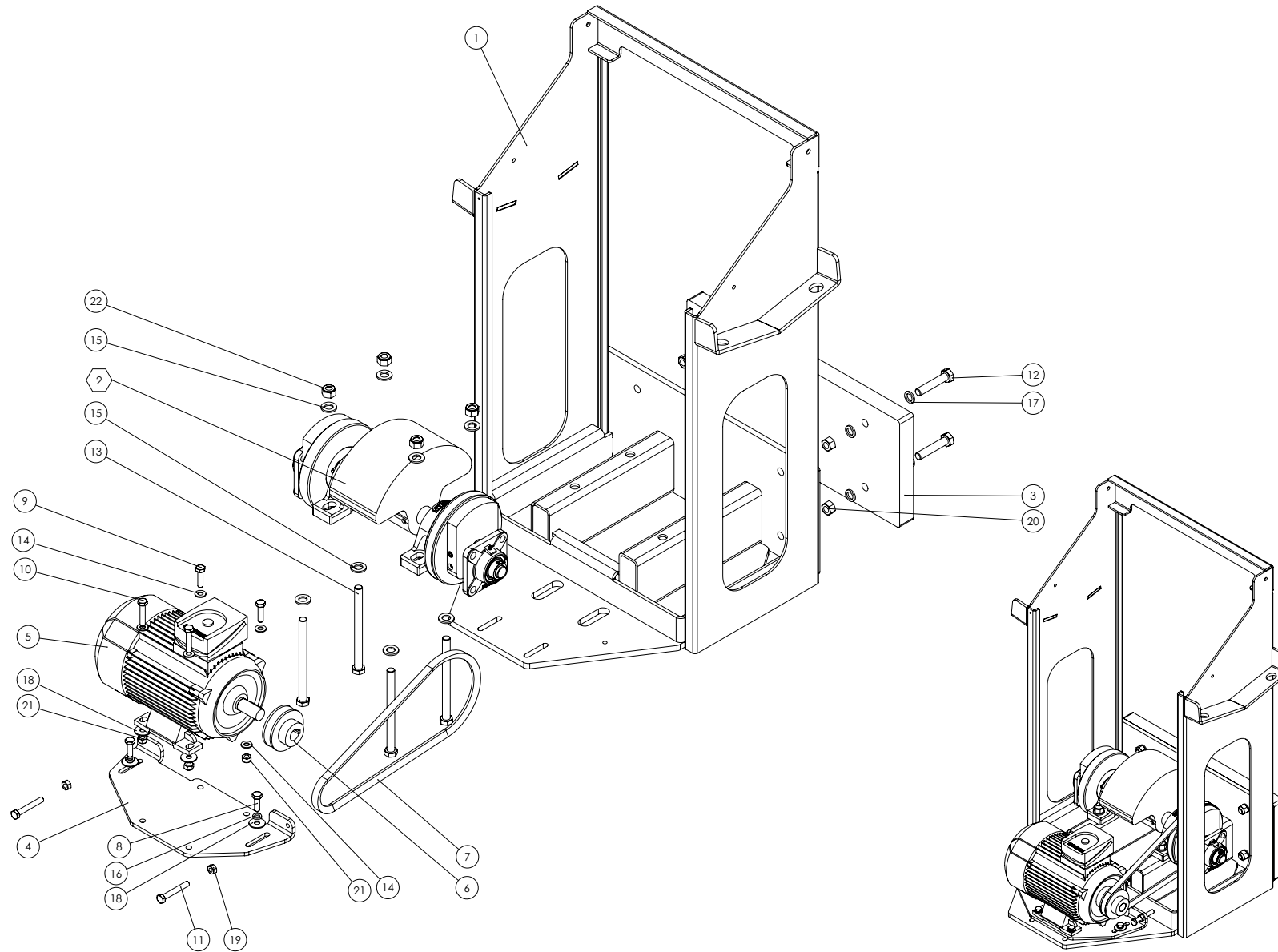
V47897 Ravistusyksikkö kp ... Shaking unit assy



V47897 Ravistusyksikkö kp ... Shaking unit assy

No	Koodi Code	Ver	Osa	Part	Spesifikaatio (sivu) Specification (page)
1	V47894	1	KESKIRUNKO KP	MIDDLE FRAME ASSY	(6)
2	V47895	4	SISÄRUNKO KP	INNER FRAME ASSY	(10)
3	V47834	0	TUKIVARSI KP	CONTROL ARM ASSY	
4	V42234	0	KUUSIORUUVI	HEXAGON SCREW	M10 x 30 DIN 933 8.8
5	V41684	0	KUUSIOKOLORUUVI	ALLEN SCREW	M6 x 20 DIN 912
6	V40201	0	ALUSLEVY	WASHER	M10 DIN 125
7	V42343	0	LUKITUSMUTTERI	LOCKING NUT	M10 DIN 985 Nylock 8.8 Zn
8	V41083	0	LUKITUSMUTTERI	LOCKING NUT	M6 DIN 985
9	V48150	0	VETOJOUSI	DRAW-SPRING	Ø1.8 L=125MM

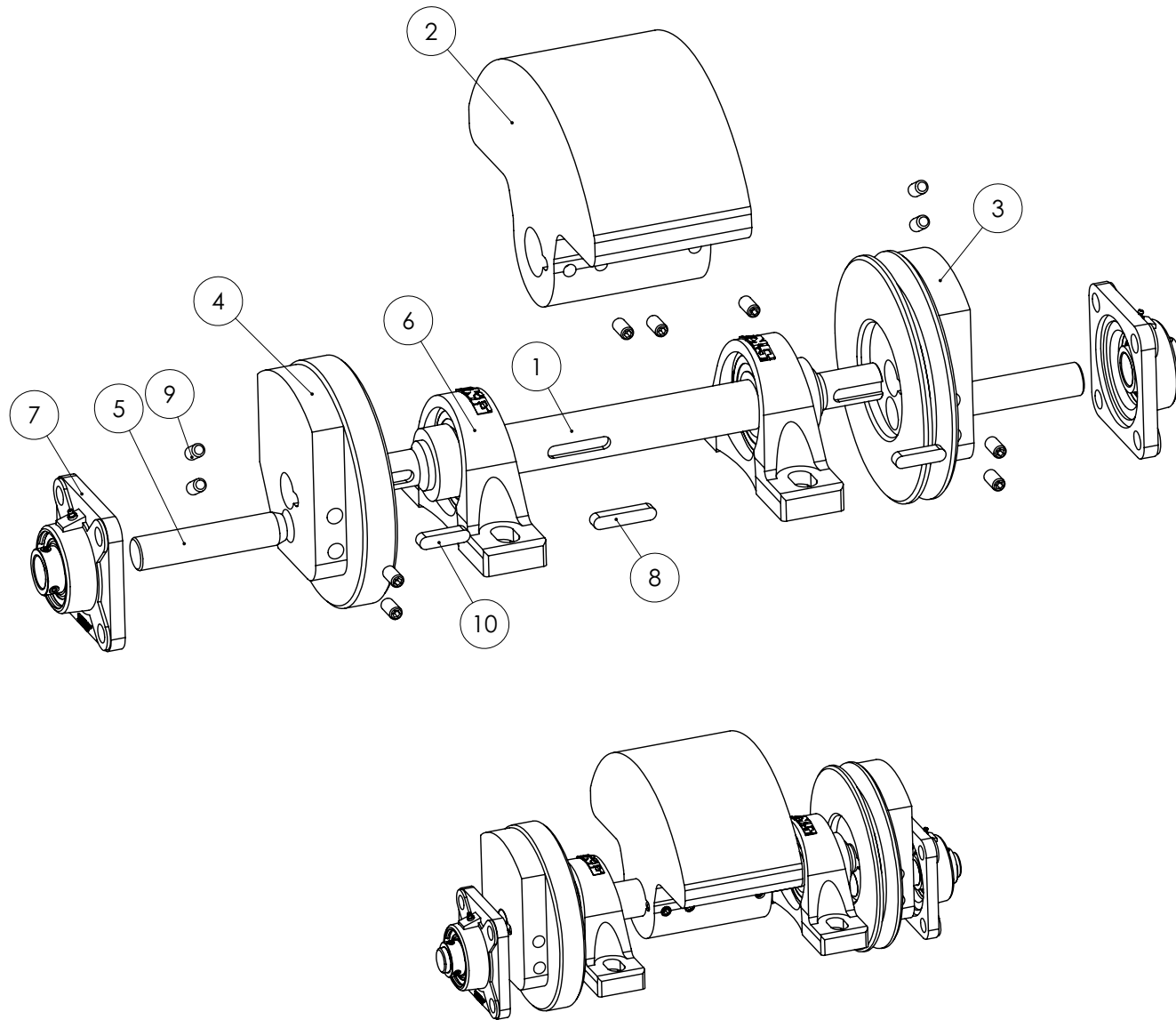
V47894 KESKIRUNKO KP ... MIDDLE FRAME ASSY



V47894 KESKIRUNKO KP ... MIDDLE FRAME ASSY

No	Koodi Code	Ver	Osa	Part	Spesifikaatio (sivu) Specification (page)
1	V47812	4	KESKIRUNKO HKP	MIDDLE FRAME WELD ASSY	V2
2	V47653	2	VASTAPAINO KP	COUNTER WEIGHT ASSY	(8)
3	V47827	2	LEVY	PLATE	
4	V47889	0	MOOTTORIPETI	MOTOR BEDSTEAD	
5	V47686	0	MOOTTORI	MOTOR	IE2-W21R 80 G 4 H, 0,75kW
6	V47677	1	KIILAHIHNA	V-BELT PULLEY	SPA 63X1, d=19
7	V47715	0	KÄYTTÖHIHNA	DRIVE BELT	OPTIBELT XPA 832, Ld=832, La=850
8	V40799	0	KUUSIORUUVI	HEXAGON SCREW	M8 x 25 DIN 933
9	V40651	0	KUUSIORUUVI	HEXAGON SCREW	M8 x 30 DIN 933 8.8
10	V47892	0	KUUSIORUUVI	HEXAGON SCREW	M8 x 40 DIN 931 8.8 Zn
11	V47891	0	KUUSIORUUVI	HEXAGON SCREW	M8 x 55 DIN 933 8.8 Zn
12	V43320	0	KUUSIORUUVI	HEXAGON SCREW	M12 x 60 DIN 933 8.8
13	V47893	0	KUUSIORUUVI	HEXAGON SCREW	M12 x 150 DIN 931 8.8 Zn
14	V40200	0	ALUSLEVY	WASHER	M8 DIN 125
15	V40202	0	ALUSLEVY	WASHER	M12 DIN 125
16	V41430	0	LUKITUSLEVYPARI	LOCK WASHER	M8 DIN 25201 NORD-LOCK
17	V41432	0	LUKITUSLEVYPARI	LOCK WASHER	M12 DIN 25201 NORD-LOCK
18	V42959	0	KORIALUSLEVY	FLAT WASHER	8/25
19	V40208	0	KUUSIOMUTTERI	HEXAGON NUT	M8 DIN 934
20	V40851	0	KUUSIOMUTTERI	HEXAGON NUT	M12 DIN 934
21	V41424	0	LUKITUSMUTTERI	LOCKING NUT	M8 DIN 985
22	V42526	0	LUKITUSMUTTERI	LOCKING NUT	M12 DIN 985 NYLOCK 8.8 Zn

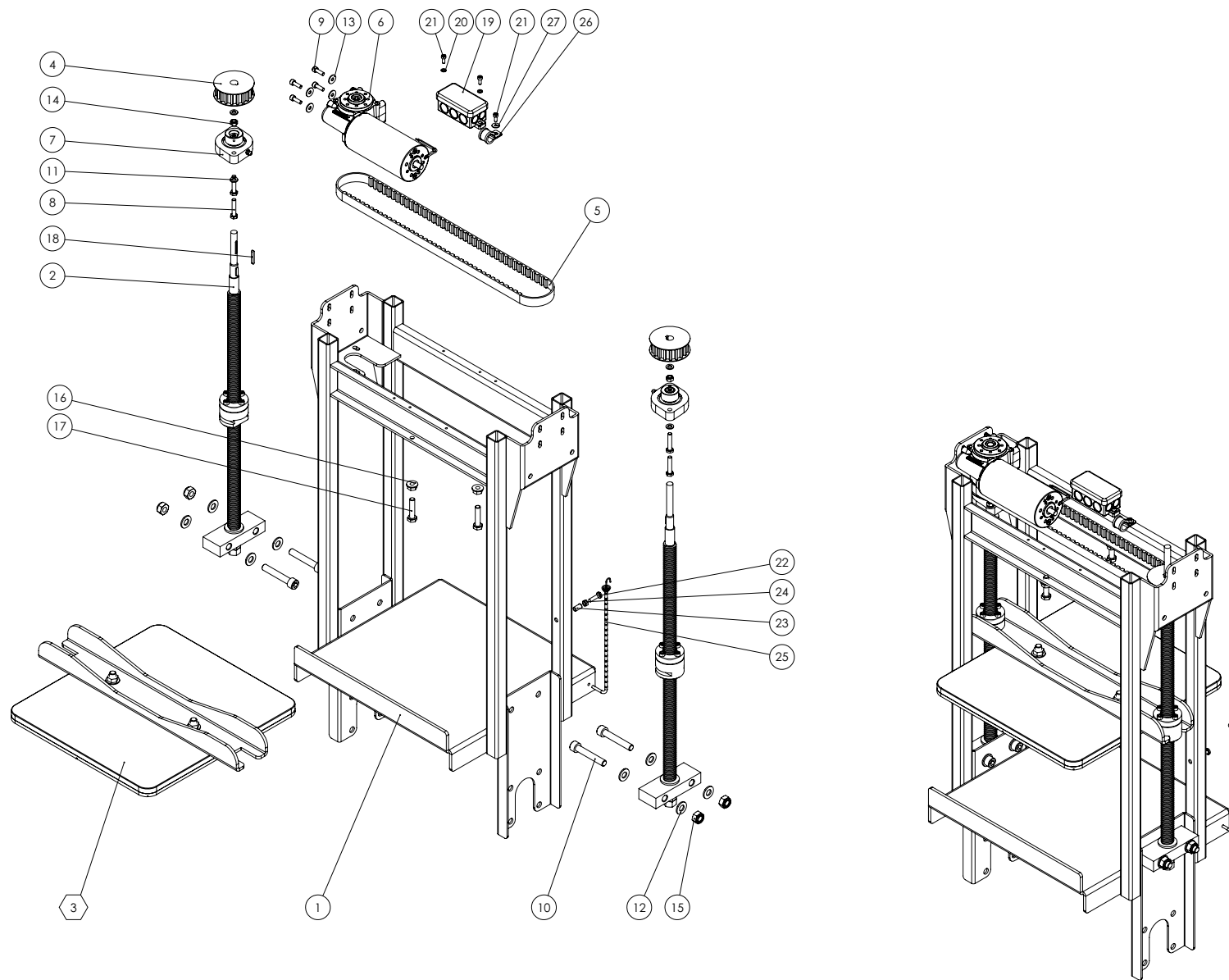
V47653 Vastapaino kp ... Counter weight assy



V47653 Vastapaino kp ... Counter weight assy

No	Koodi Code	Ver	Osa	Part	Spesifikaatio (sivu) Specification (page)
1	V48094	1	AKSELI	SHAFT	
2	V48080	0	PAINO	WEIGHT	
3	V47657	5	HIHNAPYÖRÄ	BELT PULLEY	
4	V47658	3	HIHNAPYÖRÄ	BELT PULLEY	
5	V47640	1	PYÖRÖTANKO	ROUND BAR	D=20
6	V47863	0	LAAKERIYKSIKKÖ	BEARING UNIT	SKF SY 30 TF
7	V47862	0	LAIPPALAAKERI	FLANGE BEARING	SKF FY 20 TF
8	V47651	0	KIILA	WEDGE	8x7x40
9	V47655	0	KUUSIOKOLOPIDÄTINRUUVI	ALLEN SET SCREW	M8x16 DIN 916
10	V48228	0	KIILA	WEDGE	8x7x32 DIN 6885A

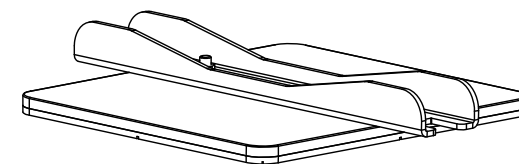
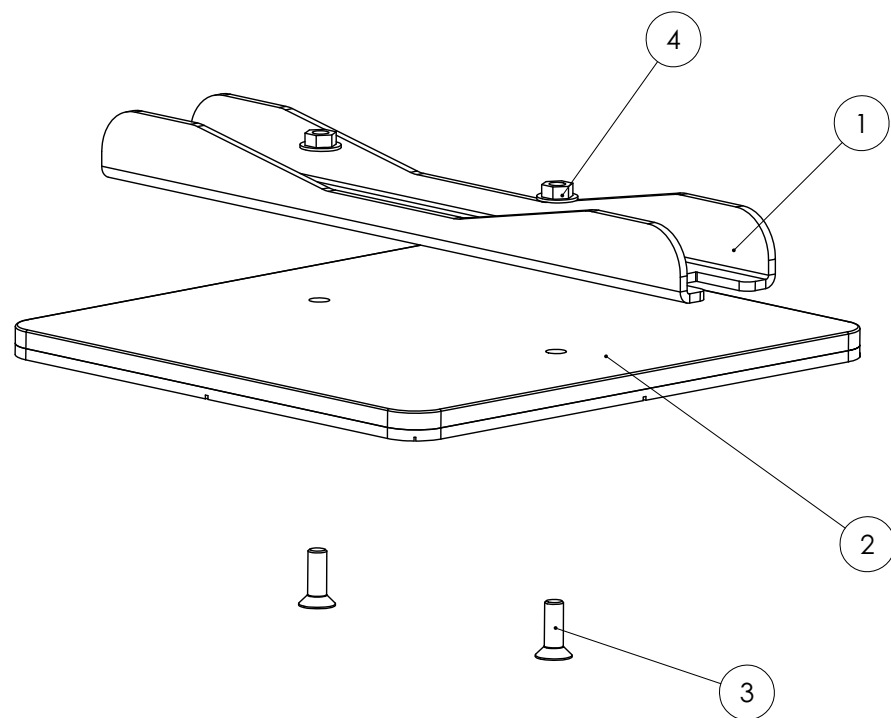
V47895 SISÄRUNKO KP ... INNER FRAME ASSY



V47895 SISÄRUNKO KP ... INNER FRAME ASSY

No	Koodi Code	Ver	Osa	Part	Spesifikaatio (sivu) Specification (page)
1	V47813	2	RUNKO HKP	FRAME WELD ASSY	INNER BODY V2
2	V47668	2	KANNATIN	SUPPORT	(LONG)
3	V47643	1	YLÄLAUTANEN	UPPER PLATE	(12)
4	V47674	2	HAMMASPYÖRÄ	GEARWHEEL	AL 23 AT10/19-2
5	V47675	0	HAMMASHIHNA	TOOTHED BELT	Synchroflex 16AT10/980
6	V47864	0	MOOTTORI	MOTOR	Dunkermotoren GR 63x55 + SG 80
7	V47865	0	LAIPPALAAKERI	FLANGE BEARING	INA GLCTE15
8	V42622	0	KUUSIORUUVI	HEXAGON SCREW	M6 x 30 DIN 931 8.8
9	V45529	0	KUUSIOKOLORUUVI	ALLEN SCREW	M5 x 16 DIN 912
10	V47638	0	KUUSIOKOLORUUVI	ALLEN SCREW	M10 x 60 DIN 912 12.9
11	V40199	0	ALUSLEVY	WASHER	M6 DIN 125
12	V40201	0	ALUSLEVY	WASHER	M10 DIN 125
13	V45502	0	KORIALUSLEVY	FLAT WASHER	M5 Ø5.3/15 Zn
14	V41083	0	LUKITUSMUTTERI	LOCKING NUT	M6 DIN 985
15	V42343	0	LUKITUSMUTTERI	LOCKING NUT	M10 DIN 985 Nylock 8.8 Zn
16	V40545	0	KUUSIOMUTTERI	HEXAGON NUT	M8 10.9 WULOCK
17	V48128	0	KUUSIORUUVI	HEXAGON SCREW	M8x35 8.8 Zn DIN933
18	V47670	0	KIILA	WEDGE	3x3,7x25 DIN 6885
19	V48237	0	SÄHKÖKOTELO	ELECTRIC BOX	1627131
20	V40198	0	ALUSLEVY	WASHER	M4 DIN 125
21	V40216	0	KUUSIOKOLORUUVI	ALLEN SCREW	M4 x 10 DIN 912
22	V48241	0	URARUUVI	SLOTHEAD SCREW	M5 x 20 DIN 7985
23	V48134	0	NIITTIMUTTERI	NUT	M5
24	V40122	0	KUUSIOMUTTERI	HEXAGON NUT	M5 DIN 934
25	V48245	0	SANKAKUMI	HANDLE HOLDER	
26	V48126	0	KAAPELIKIINNITIN	CABLE BRACKET	
27	V42138	0	KORIALUSLEVY	FLAT WASHER	M4 DIN 9021 Ø4.3/12

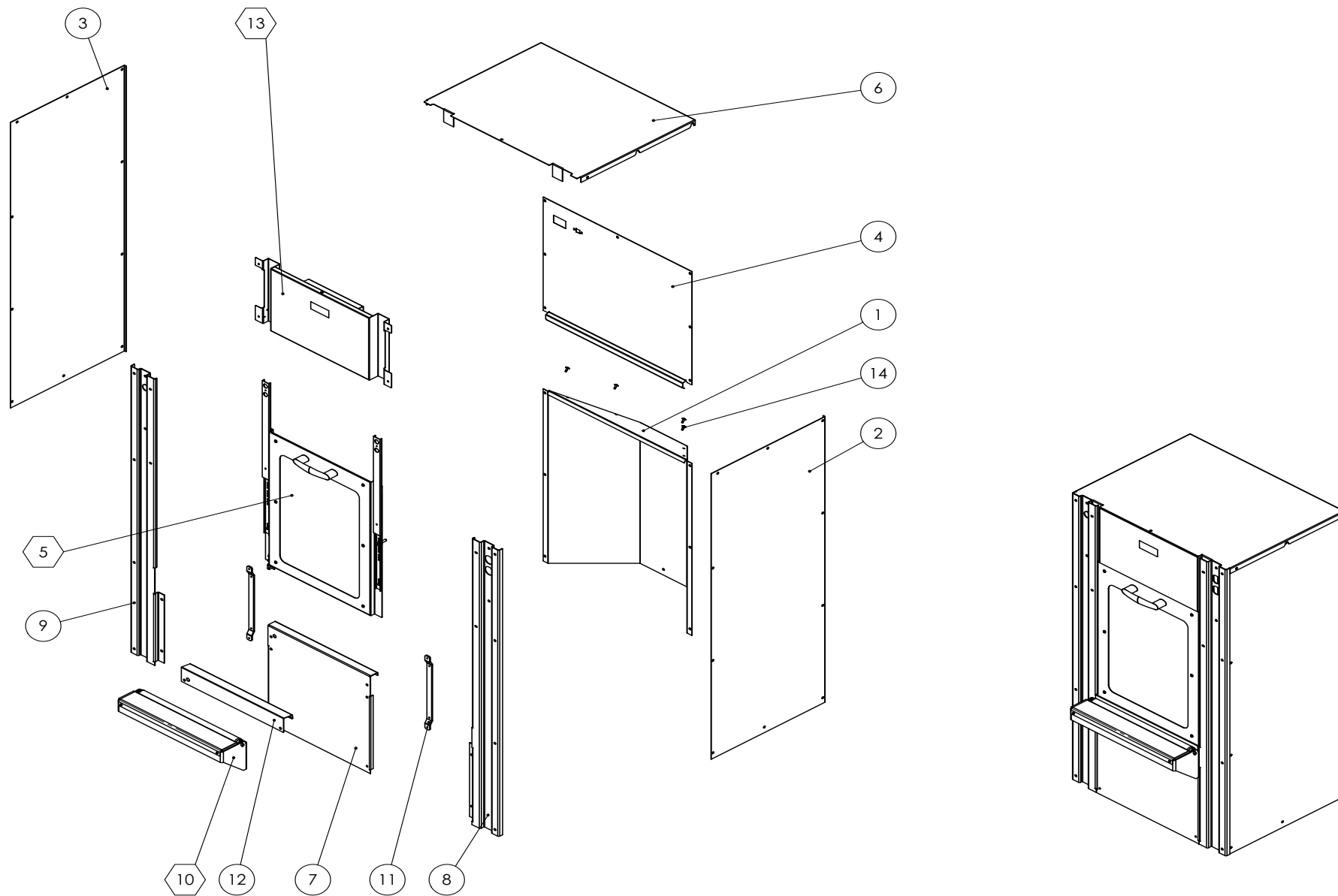
V47643 Ylälautanen ... Upper plate



V47643 Ylälautanen ... Upper plate

No	Koodi Code	Ver	Osa	Part	Spesifikaatio (sivu) Specification (page)
1	V47641	3	TUKIPROFIILI	SUPPORT PROFILE	
2	V47648	1	LEVY	PLATE	
3	V48124	0	KUUSIOKOLORUUVI	ALLEN SCREW	M10 x 30 DIN7991
4	V48123	0	KUUSIOMUTTERI	HEXAGON NUT	M10 10.9 WULOCK

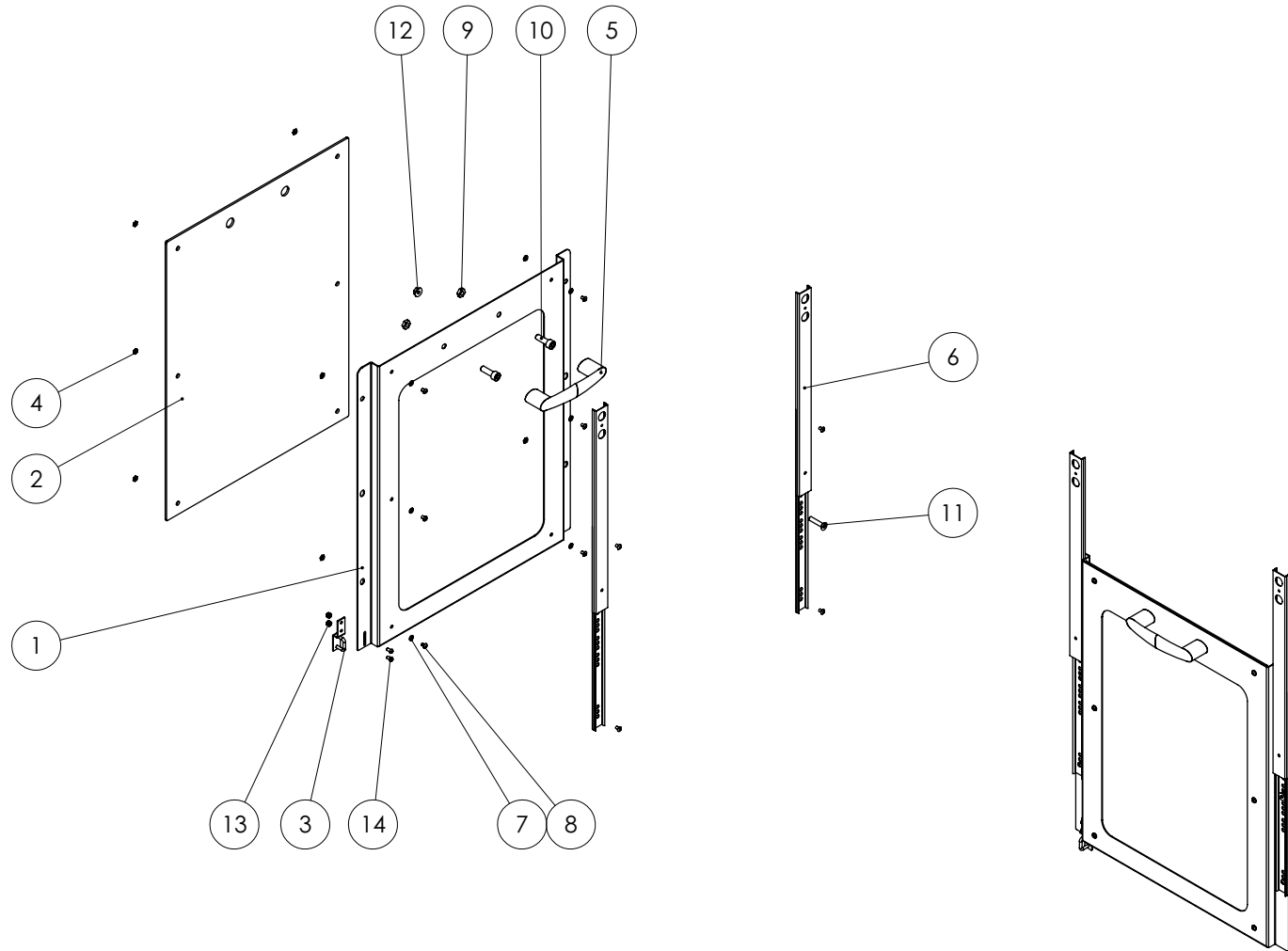
V47839 Suoja kp ... Cover assy



V47839 Suoja kp Cover assy

No	Koodi Code	Ver	Osa	Part	Spesifikaatio (sivu) Specification (page)
1	V47838	3	TAKALEVY	BACK PANEL	
2	V47837	3	SIVULEVY	SIDE PLATE	RIGHT
3	V47916	2	SIVULEVY	SIDE PLATE	LEFT
4	V47859	3	TAKALEVY	BACK PANEL	
5	V47836	1	OVI KP	DOOR ASSY	(16)
6	V47787	7	YLÄLEVY	UPPER FRAME	
7	V47784	11	ETULEVY	FRONT PANEL	
8	V47782	7	SIVULEVY	SIDE PLATE	RIGHT
9	V47783	5	SIVULEVY	SIDE PLATE	LEFT
10	V47938	1	KANNAKE KP	SUPPORT ASSY	(18)
11	V47947	1	KANNATIN	SUPPORT	
12	V47993	5	SUOJA	COVER	
13	V48133	1	ETULEVY KP	FRONTAL SHEET ASSY	FOR PCB (20)
14	V48215	0	WRONIC-RUUVI	WRONIC-RUUVI	4,2x13 ZN

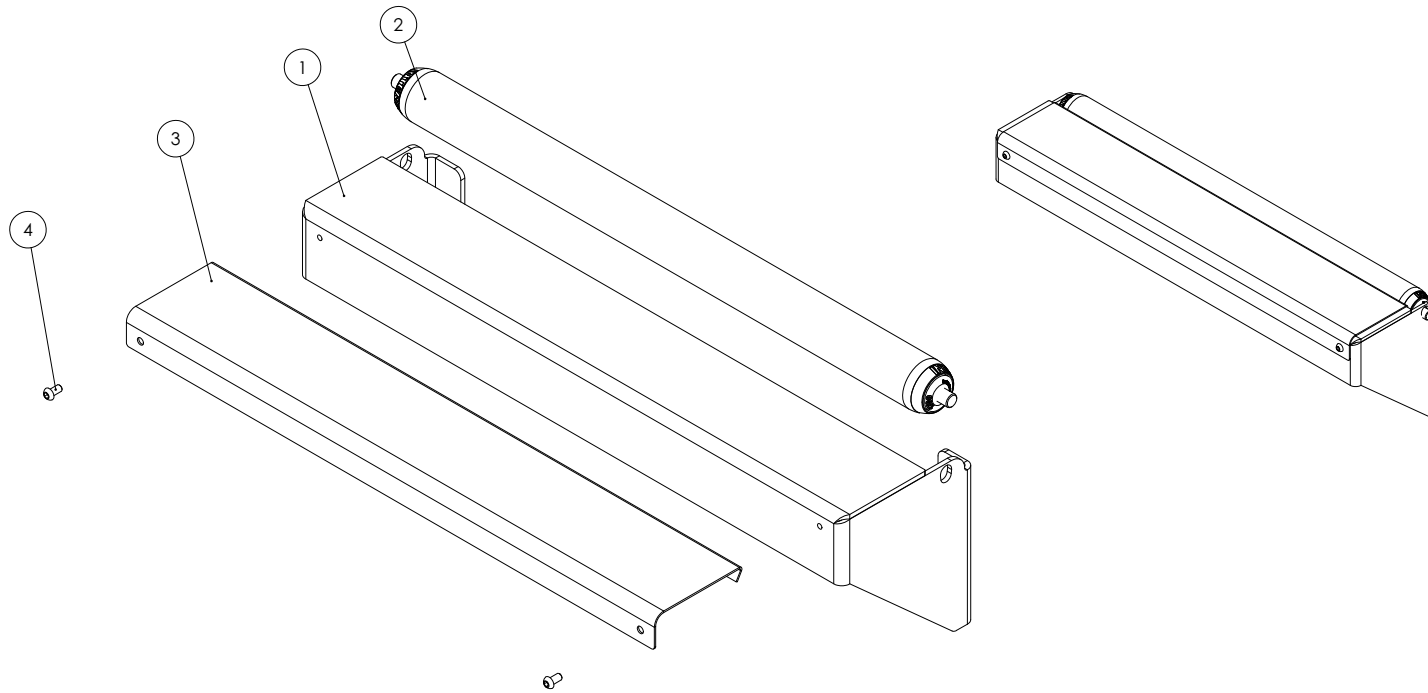
V47836 OVI KP ... DOOR ASSY



V47836 OVI KP ... DOOR ASSY

No	Koodi Code	Ver	Osa	Part	Spesifikaatio (sivu) Specification (page)
1	V47786	8	TUKILEVY	SUPPORT PLATE	
2	V47835	2	OVI	DOOR	
3	V47957	1	KIINNIKE HKP	BRACKET WELD ASSY	
4	V48122	0	MUTTERI	NUT	M4 x 2 WEF-M4-2
5	V48144	0	KAHVA	HANDLE	ACKURAT HTS14643SS
6	V47840	0	JOHDE	BEAM	Art.No. 457221
7	V40198	0	ALUSLEVY	WASHER	M4 DIN 125
8	V48145	0	KUUSIOKOLORUUVI	ALLEN SCREW	M4 x 6 ISO 7380
9	V40430	0	KUUSIOMUTTERI	HEXAGON NUT	M8 DIN 936
10	V42550	0	KUUSIOKOLORUUVI	ALLEN SCREW	M8 x 25 DIN 912 8.8
11	V45129	0	KUUSIOKOLORUUVI	ALLEN SCREW	M6 x 30 DIN 7991 10.9
12	V40576	0	KUUSIOMUTTERI	HEXAGON NUT	M6 10.9 WULOCK
13	V40248	0	LUKITUSMUTTERI	LOCKING NUT	M4 DIN 982
14	V48130	0	KUUSIOKOLORUUVI	ALLEN SCREW	M4 x 8 Zn ISO7380

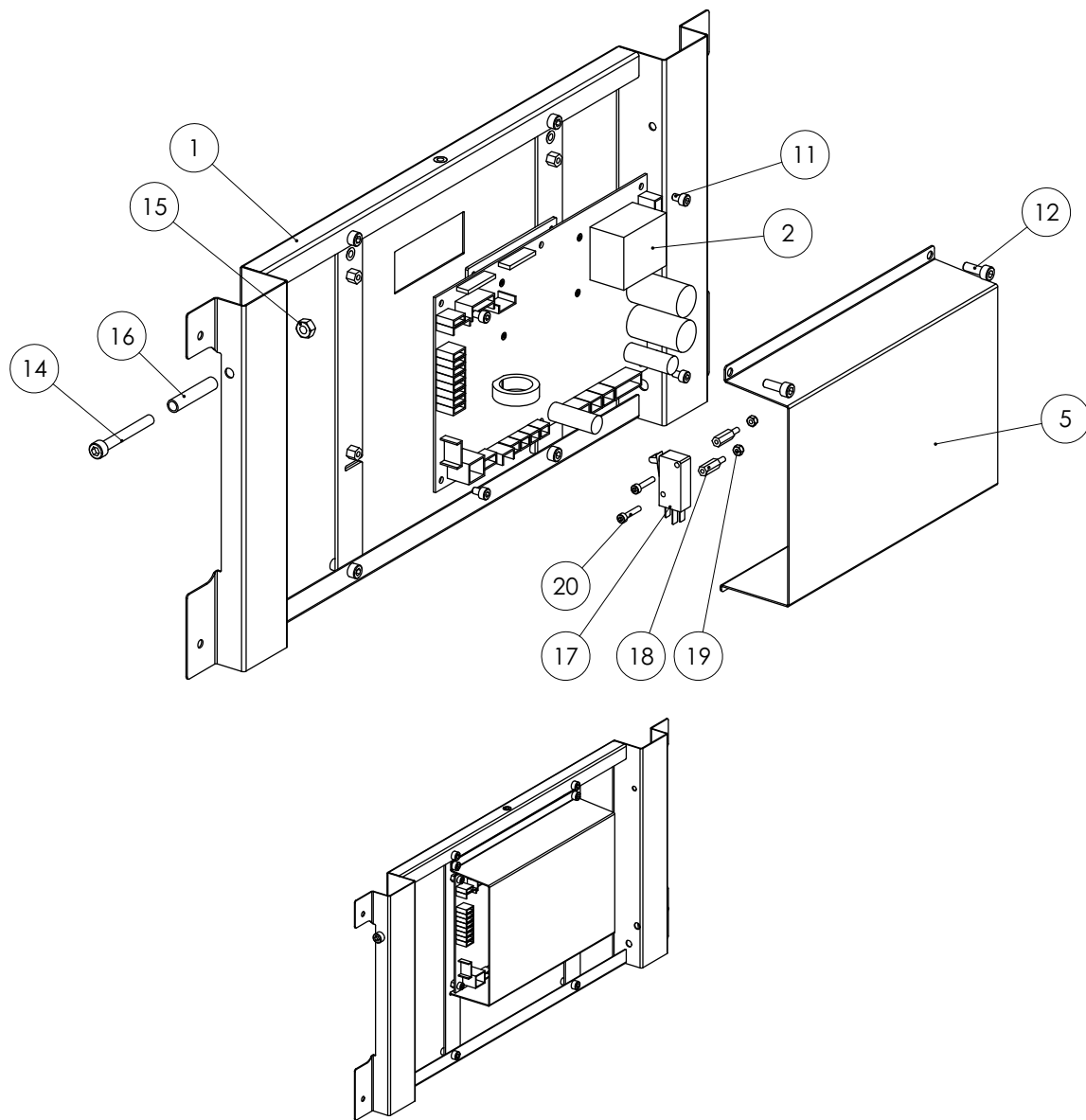
V47938 KANNAKE KP ... SUPPORT ASSY



V47938 KANNAKE KP ... SUPPORT ASSY

No	Koodi Code	Ver	Osa	Part	Spesifikaatio (sivu) Specification (page)
1	V47937	4	KANNAKE	SUPPORT	
2	V47900	0	RULLA	ROLLER	INTERROL 1.731.J31.EAN, EL=400, RL=390
3	V47992	0	SUOJA	COVER	
4	V48130	0	KUUSIOKOLORUUVI	ALLEN SCREW	M4 x 8 Zn ISO7380

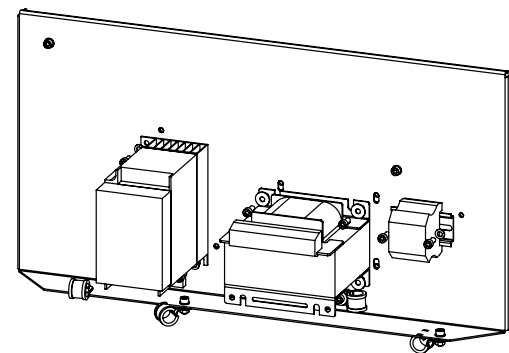
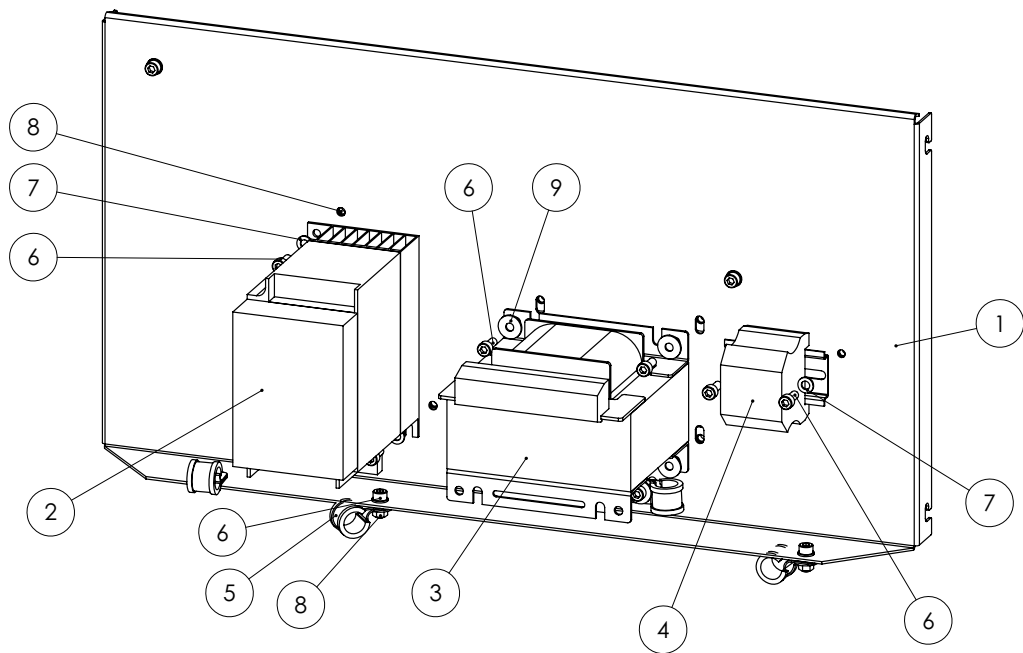
V48133 ETULEVY KP ... FRONTAL SHEET ASSY



V48133 ETULEVY KP ... FRONTAL SHEET ASSY

No	Koodi Code	Ver	Osa	Part	Spesifikaatio (sivu) Specification (page)
1	V47920	7	ETULEVY	FRONT PANEL	
2	V48127	0	PIIRIKORTTI	PRINTED CIRCUIT BOARD (PCB)	
3	V47896	0	NÄYTTÖ	DISPLAY	C216L04YBW00
4	V48136	0	KOROTUSRUUVI	SPACER STUD	M4 X 7
5	V47931	3	SUOJAPELTI	SUOJAPELTI	
6	V48134	0	NIITTIMUTTERI	NUT	M5
7	V48137	0	TUKILEVY	SUPPORT PLATE	FOR PCB
8	V40248	0	LUKITUSMUTTERI	LOCKING NUT	M4 DIN 982
9	V48138	0	SUOJALEVY	PROTECTING PLATE	FOR DISPLAY
10	V48135	0	URARUUVI	SLOTHEAD SCREW	M2.5 X 16
11	V43735	0	KUUSIOKOLORUUVI	ALLEN SCREW	M4 x 6 DIN 912
12	V45825	0	KUUSIOKOLORUUVI	ALLEN SCREW	M5 x 14 DIN 912 8.8 Zn
13	V48140	0	KIINNITYSRUUVI	FIXING SCREW	M2.5 X 6
14	V40934	0	KUUSIOKOLORUUVI	ALLEN SCREW	M6 x 50 DIN 912
15	V41083	0	LUKITUSMUTTERI	LOCKING NUT	M6 DIN 985
16	V48267	0	LETKU	HOSE	L=45MM
17	V48110	0	MIKROKYTKIN	MICRO-SWITCH	PANASONIC ABV1215503R
18	V48285	0	KOROTUSRUUVI	SPACER STUD	M3 X 14
19	V42750	0	LUKITUSMUTTERI	LOCKING NUT	M3 DIN 985
20	V43682	0	KUUSIOKOLORUUVI	ALLEN SCREW	M3 x 16 DIN 912

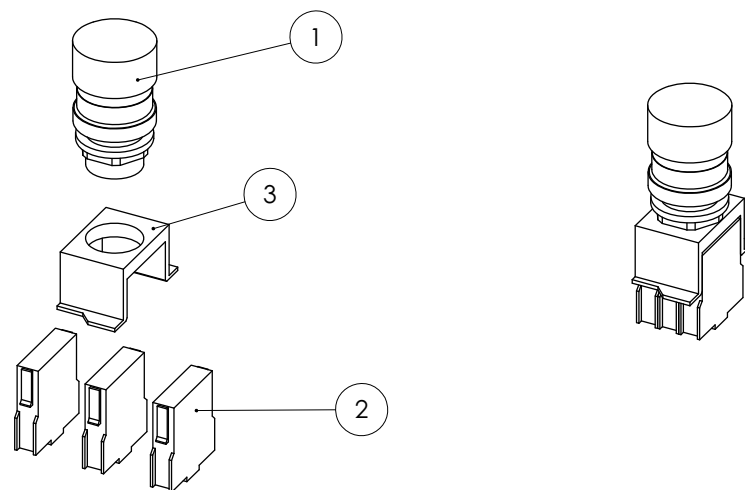
V48125 Kotelo kp ... Casing assy



V48125 Kotelo kp ... Casing assy

No	Koodi Code	Ver	Osa	Part	Spesifikaatio (sivu) Specification (page)
1	V47915	4	KIINNITYSLEVY	ADAPTER PLATE	
2	V47914	0	TAAJUUSMUUTTAJA	FREQUENCY INVERTER	Tosvert VF-nC3-s200/240 V 0, 75kW
3	V47948	0	MUUNTAJA	TRANSFORMER	300VA 230V SEC. 18V-28V
4	V47949	0	RIVILIITIN	TERMINAL BLOCK	
5	V48126	0	KAAPELIKIINNITIN	CABLE BRACKET	
6	V41514	0	KUUSIOKOLORUUVI	ALLEN SCREW	M5 x 12 DIN 912
7	V40111	0	ALUSLEVY	WASHER	M5 DIN 125
8	V40122	0	KUUSIOMUTTERI	HEXAGON NUT	M5 DIN 934
9	V45502	0	KORIALUSLEVY	FLAT WASHER	M5 Ø5.3/15 Zn

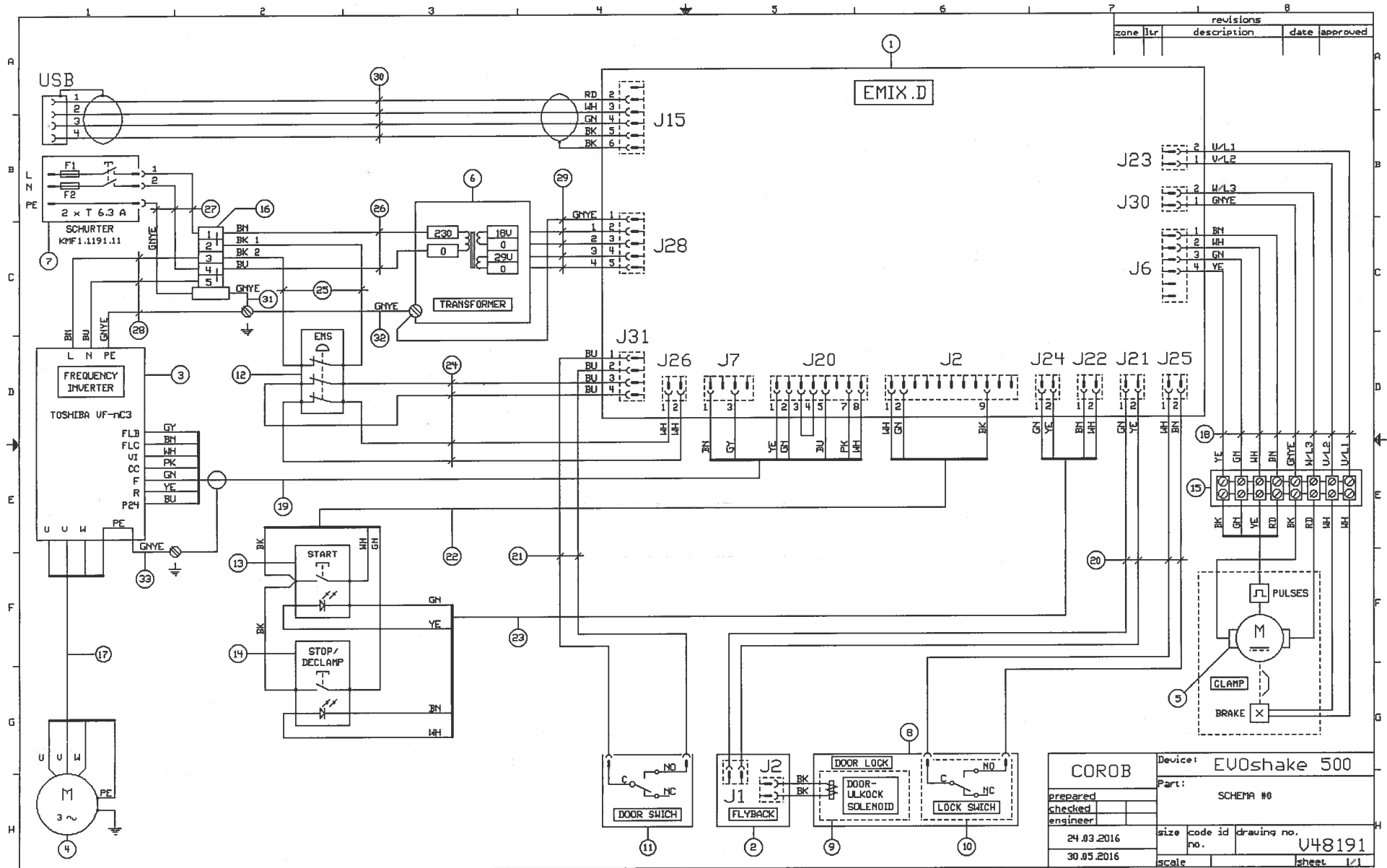
V48219 Hätäseisäkytkin kp ... Emergency switch assy



V48219 Hätäseiskeytkin kp ... Emergency switch assy

No	Koodi Code	Ver	Osa	Part	Spesifikaatio (sivu) Specification (page)
1	V48182	0	HÄTÄSEISKYTKIN	EMERGENCY SWITCH	
2	V48183	0	KONTAKTORI	CONTACTOR	MODULAR CONTACT (MOMENTARY)
3	V48184	0	RUNKO	FRAME	

V48191 Sähkökaavio ... Electrical chart



V48191 Sähkökaavio ... Electrical chart

No	Koodi Code	Ver	Osa	Part	Spesifikaatio (sivu) Specification (page)
1	V48127	0	PIIRIKORTTI	PCB	
2	V48220	0	LIITINKORTTI	CONNECTOR BOARD	FLYBACK DIODE
3	V47914	0	TAAJUUSMUUTTAJA	FREQUENCY INVERTER	Tosvert VF-nC3-s200/240 V 0, 75kW
4	V47686	0	MOOTTORI	MOTOR	IE2-W21R 80 G 4 H, 0,75kW
5	V47864	0	MOOTTORI	MOTOR	Dunkermotoren GR 63x55 + SG 80
6	V47948	0	MUUNTAJA	TRANSFORMER	300VA 230V SEC. 18V-28V
7	V48234	0	VERKKOSUODIN	SCREEN	SCHURTER KMF1.1191.11
8	V48111	2	LUKKOLAITE	LOCK DEVICE	
9	V48223	0	SOLENOIDI	SOLENOID	142-08A62XX SMO-0837L9.8CJ AMPMODU
10	V48110	0	MIKROKYTKIN	MICRO-SWITCH	PANASONIC ABV1215503R
11	V48110	0	MIKROKYTKIN	MICRO-SWITCH	PANASONIC ABV1215503R
12	V48219	0	HÄTÄSEISKYTKIN KP	EMERGENCY SWITCH ASSY	
13	V48181	0	KYTKIN (SÄHK)	SWITCH	WITH GREEN LED
14	V48218	0	KYTKIN (SÄHK)	SWITCH	WITH RED LED
15	V48237	0	SÄHKÖKOTELO	ELECTRIC BOX	1627131
16	V47949	0	RIVILIITIN	TERMINAL BLOCK	
17	V48095	0	MOOTTORIKAAPELI	MOTOR CABLE	3-VAIHE, L=700MM
18	V48081	0	PURISTUSMOOTTORIKAAPELI	CLAMPING MOTOR CABLE	L=780MM
19	V48083	0	OHJAUSKAAPELI	CONTROL CABLE	INVERTER, L=1900MM
20	V48086	0	KAAPELI	CABLE	DOOR SOLENOID/SWITCH, L=1180MM
21	V48087	0	KAAPELI	CABLE	DOOR SAFETY, L=110MM
22	V48088	0	PAINIKEKAAPELI KP	BUTTON CABLE ASSY	
23	V48189	0	KAAPELI	CABLE	BUTTON-LED, L=360MM
24	V48089	0	EMS-KAAPELI KP	EMS CABLE ASSY	L=400MM
25	V48085	0	EMS-KAAPELI	EMS CABLE	INVERTER, L=1400MM
26	V48090	0	KAAPELI KP	CABLE ASSY	TRANSFORMERS PRIMER, L=300MM

V48191 Sähkökaavio ... Electrical chart

No	Koodi Code	Ver	Osa	Part	Spesifikaatio (sivu) Specification (page)
27	V48084	0	KAAPELI	CABLE	INLET 230V, L=980MM
28	V48091	0	KAAPELI KP	CABLE ASSY	INVERTER INPUT 230V, 2 x L=380MM, L=320MM
29	V48082	0	KAAPELI	CABLE	18V & 29V, L=1900MM
30	V48221	0	JOHTO	CABLE	USB CABLE
31	V48092	0	MAADOITUSKAAPELI	GROUND CABLE	L=100MM
32	V48093	0	MAADOITUSKAAPELI	GROUND CABLE	TRANSFORMER, L=100MM
33	V48309	0	KAAPELI	CABLE	INVERTER GROUNDING CABLE, L=50MM