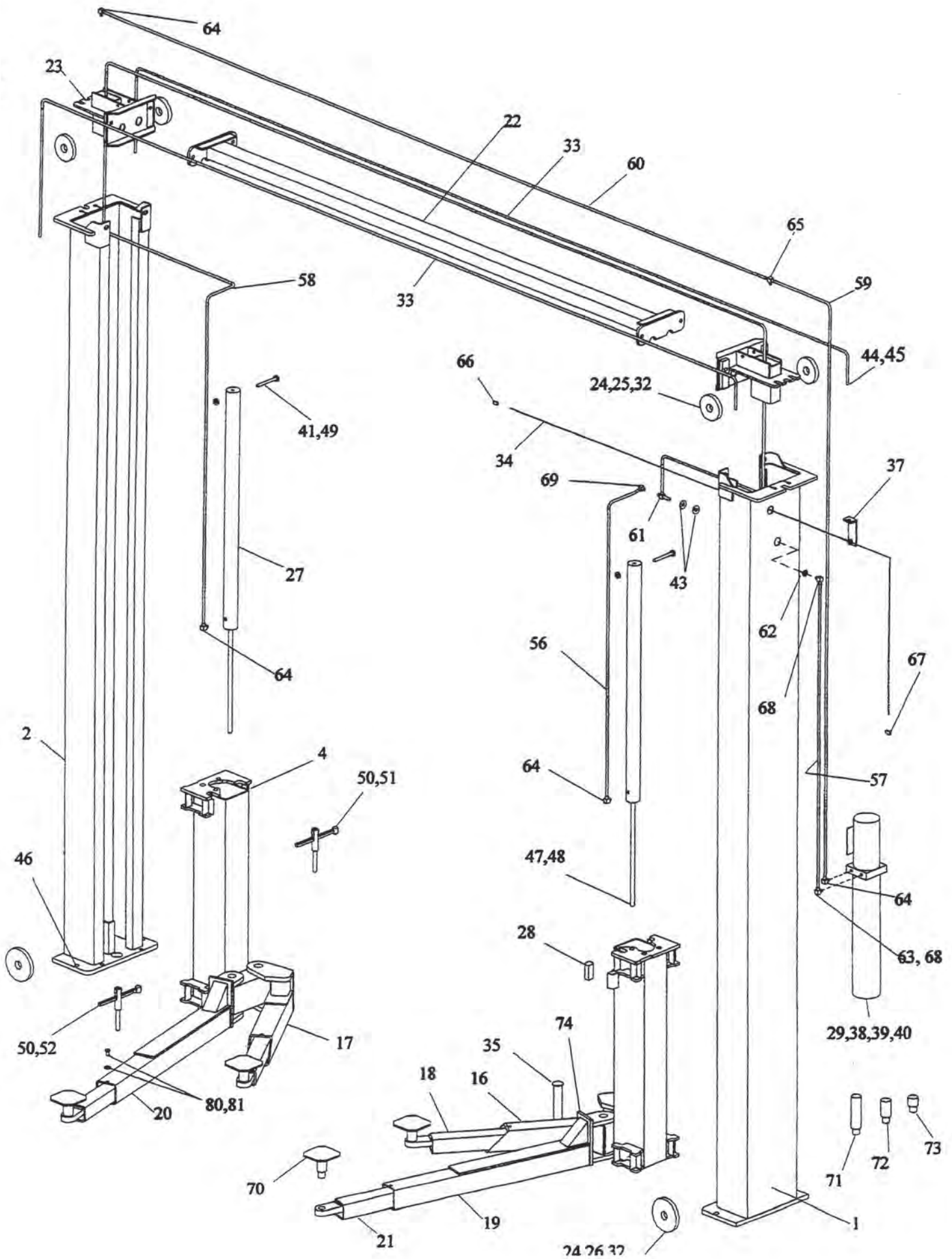


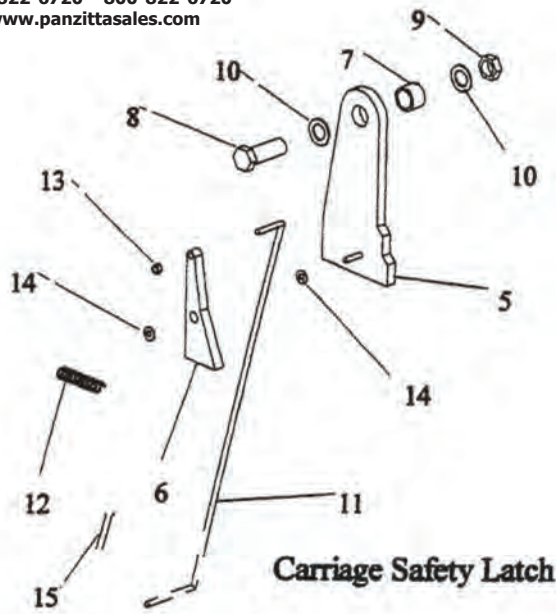
**FORWARD MANUFACTURING  
TWO POST ASYMMETRICAL LIFT  
INSTALLATION AND OWNERS MANUAL  
MODELS DP97A, DP97A2, DP10A, DP10A2**

**NOVEMBER 1999**

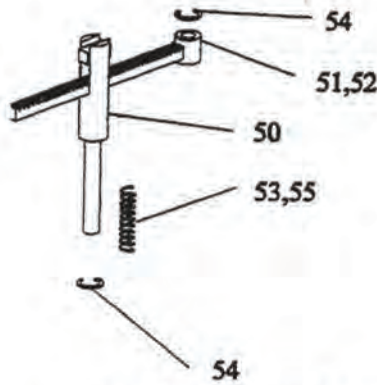
**I MAN 994322**



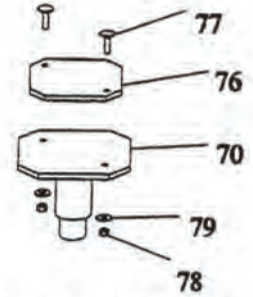




Carriage Safety Latch



Arm Lock Assembly



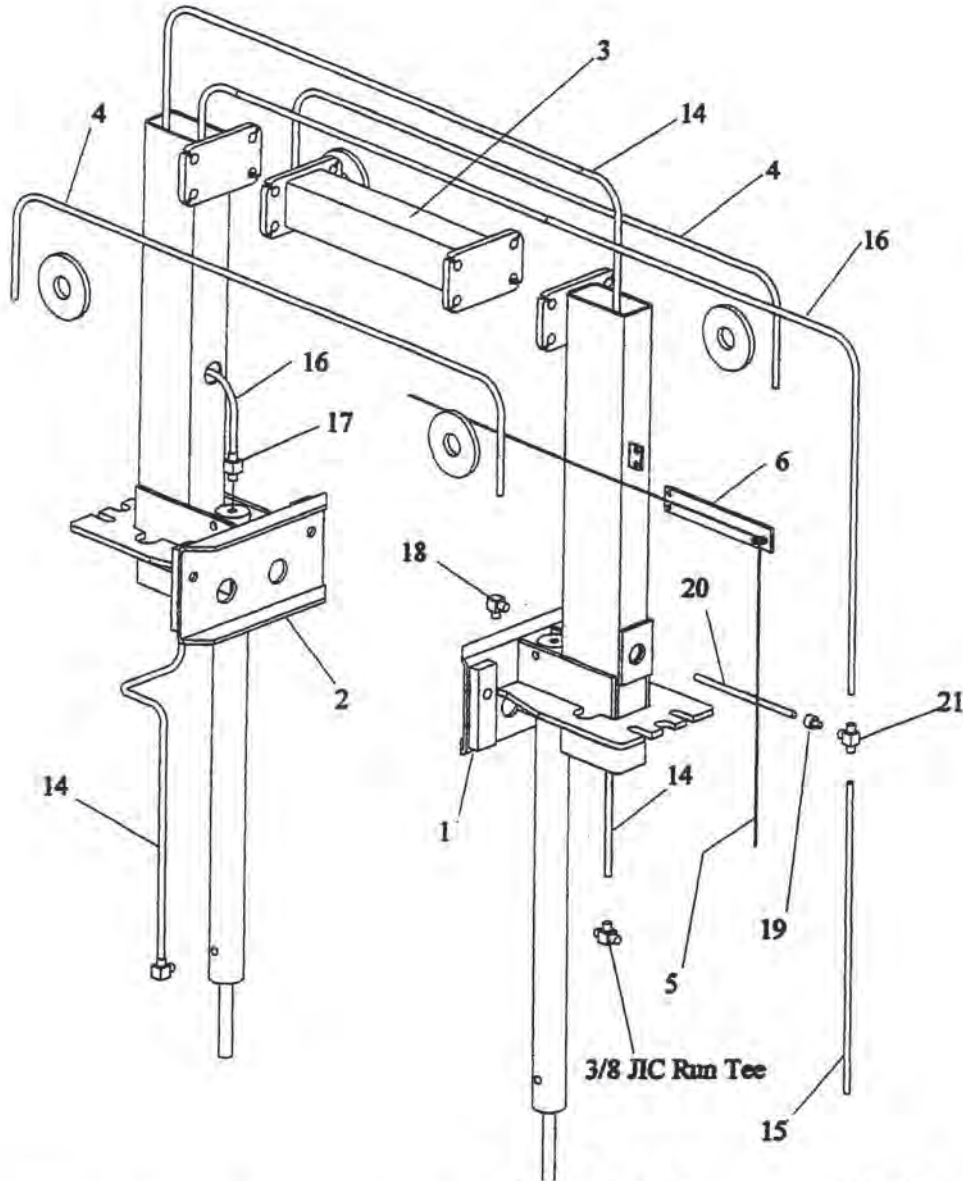
Swivel Pad w/ Rubber Insert

Item	Part No.	Description
1	106101	Mainside Leg Weldment
2	106201	Offside Leg Weldment
3	106500	Carriage Assembly
4	106501	Carriage Weldment
5	070525	Safety Latch
6	070528	Wipeout
7	070530	Pivot, Latch
8	913682	Bolt, Latch, 3/4 x 2 NC
9	913600	Nut, Latch, 3/4 Nyloc NC
10	913605	Washer, Latch, 3/4 Flat
11	090541	Pull Rod
12	991071	Spring, Latch
13	991070	Cap, Nut, 3/16
14	912005	Washer, 3/8 Flat
15	991077	Cotter Pin, 3/32 x 1-1/2
16	106606	Short S/A Tube Wld, R/H
17	106607	Short S/A Tube Wld, L/H
18	106608	Short Slider Weldment
19	106704	Long S/A Tube Wld, R/H
20	106705	Long S/A Tube Wld, L/H
21	106703	Long Slider Weldment
22	106801	Overhead Wldmnt, 113"
23	106802	Cyl Mount Wld
24	991030	1-3/8 Snap Ring
25	995020	4" Sheave
26	995030	5" Sheave
27	992317	Cylinder, 2 x 67-1/2
28	995120	Rub Block, UHMWPE
29	992017	Pwr Unit, AB-1135, RV19
30	912701	1/2 x 2-1/2 NC Bolt
31	912601	1/2 NC Nut
32	991211	Bushing, Sheave
33	992627	Cable, 3/8 Dia x 33'-6"
34	992609	Cable, Limit Switch, 1/16" x 16'
35	995430	Swing Arm Pin, 8"
36	991124	Shims
37	106804	Overhead Limit Cable Ring Wld
38	911701	5/16 NC Nut, Dorman Limit Mount

Item	Part No.	Description
39	911703	5/16 Nyl Ins Nut, NC
40	911741	5/16 x 1 NC Bolt, 4 P/U, 2 Ring
41	912603	1/2 NC Nyloc Nut, Cyl mount
42	912605	1/2 Flat Washer
43	912906	9/16 SAE Washer, Bulkhd Mnt
44	913604	3/4 Nyl Insert Nut, NF, Cable
45	913606	3/4 SAE Washer
46	913828	3/4 x 5-1/2 Anchor Bolt
47	913602	3/4 NF Nut, Cyl Mount
48	913611	3/4 NF Jam Nut, Cyl Mount
49	912791	1/2 x 5 NC Bolt, Gr 8
Arm Lock Assembly		
50	106702	7" Plunger
51	070705	8" Slider
52	106701	11" Slider
53	991216	Spring, 13/16 Dia x 3
54	991209	E-Clip
55	913206	5/8 SAE Washer
56	992156	3/8 Hose x 56", High Press
57	992142	3/8 Hose x 62", High Press
58	992157	3/8 Hose x 209", High Press
59	992137	3/8 Hose x 86", High Press
60	992144	3/8 Hose x 114", High Press
61	992431	3/8 JIC Bulkhead Run Tee
62	992454	3/8 Bulkhead Nut
63	992410	3/8 O-Ring to 3/8 Male JIC
64	992402	3/8 Male JIC to 3/8 MNPT 90
65	992419	3/8 JIC Branch T to 3/8 MNPT
66	991084	1/16 Cable Clamp, Alum Squeeze
67	991244	1/8 Cable Clamp, Threaded
68	992426	3/8 JIC 90 Swivel Nut
69	995464	3/8 JIC 45 Swivel Nut
70	106605	Pad Weldment Stacking Type
71	995550	6" Pad Extension
72	995560	3" Pad Estension
73	996220	1-1/2" Pad Extension
74	991303	Bumper Strip, 4-5/8 Long
75	991082	Tie Wrap, 24"
76	991234	Rubber Pad Insert
77	991243	1/4 x 1 Elevator Bolt
78	911401	1/4 NC Nut
79	911405	1/4 Flat Washer
80	912631	1/2 x 3/4 NC Bolt, S/A Assy
81	912607	1/2 Lock Washer, S/A Assy
82	991019	Manual, DPO9A/A2

It e





<u>Item</u>	<u>Part No.</u>	<u>Description</u>	<u>Item</u>	<u>Part No.</u>	<u>Description</u>
1	108801	2' Extended Upright, M/S	11	912605	1/2 Flat Washer
2.	108802	2' Extended Upright, O/S	12	912603	1/2 NC Nyloc Nut
3	108803	Overhead Wldment for Ext.	13	912791	1/2 x 5 NC Gr 8 Bolt
4.	992639	Cable, 3/8 Dia x 37' - 6"	14	992158	3/8 Hose x 257"
5	992609	Cable, Limit Switch, 1/16 Dia	15	992161	3/8 Hose x 77"
6	057804	O/H Limit Cable Ring Wld	16	992159	3/8 Hose x 176"
7	911703	5/16 Nyl Ins Nut, Ring Wld	17	992403	3/8 MJIC to 3/8 M Pipe
8	911741	5/16 x 1 NC Bolt, 2 Ring Wld	18	992471	3/8 M Pipe Street Elbow 90
9	912701	1/2 x 2-1/2 NC Bolt, O/H Mnt	19	992472	3/8 F Pipe to 3/8 MJIC
10	912601	1/2 NC Nut	20	992473	3/8 x 8 Pipe Nipple
			20	992427	3/8 JIC Swivel Nut Branch Tee