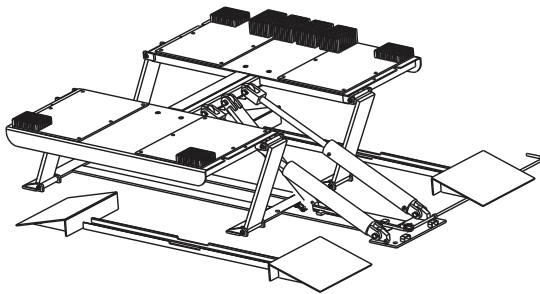


# PARTS BREAKDOWN

## Low Rise Car Lift

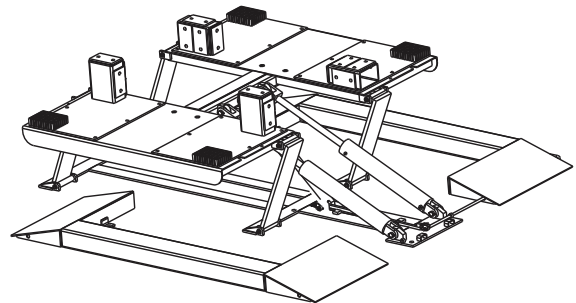
### TL07

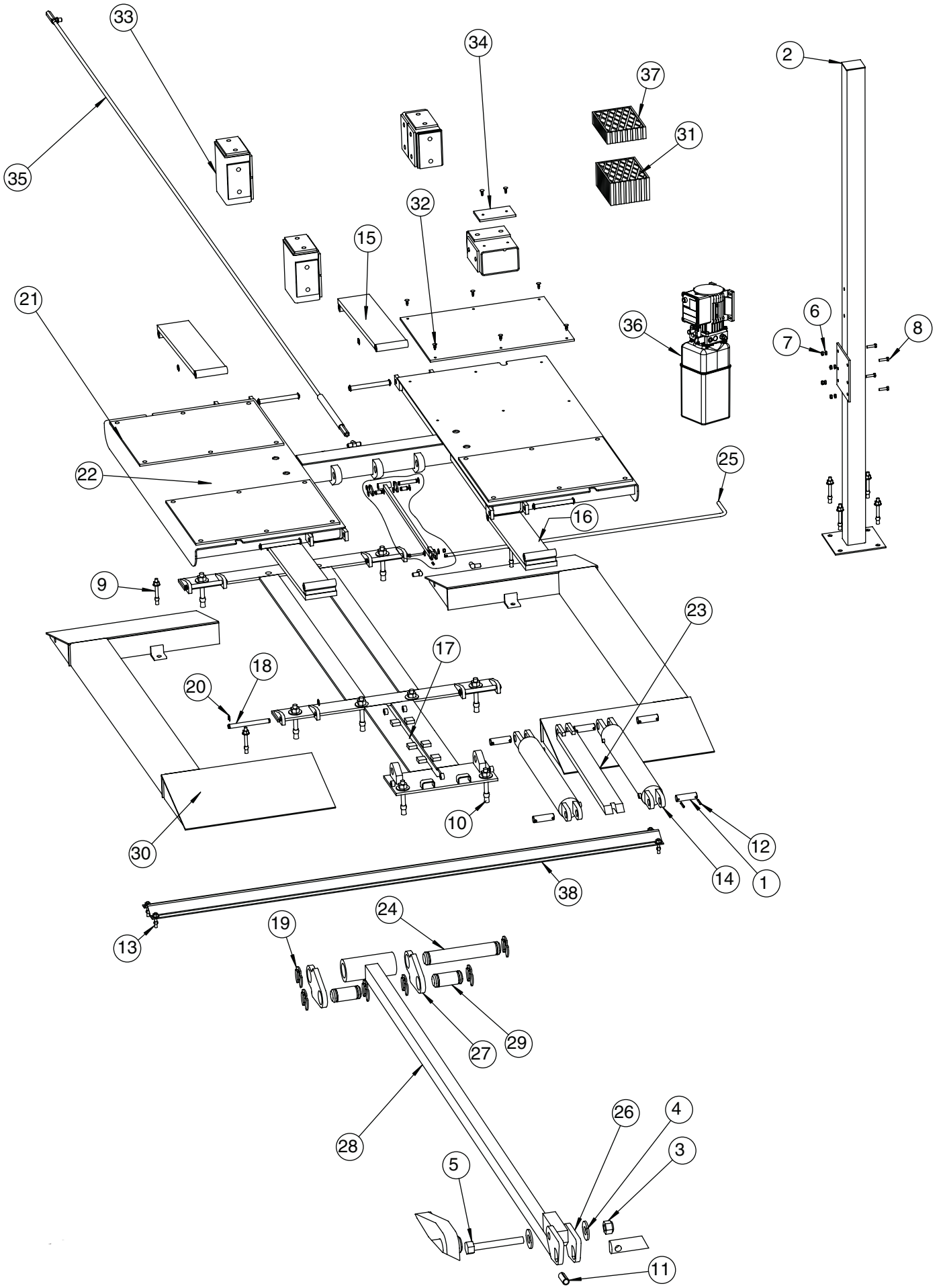
Capacity 7000 lbs.  
(Maximum 1750 lbs. per pad)



### TL10

Capacity 10,000 lbs.  
(Maximum 2500 lbs. per pad)





1.	CYLINDER PIN	021420
2.	7' POWER UNIT MOUNT	021704
3.	1/4"-20 NYLON INSERT HEX NUT	911403
4.	1/4" FLAT WASHER	911405
5.	1/4"-20 HHCS X 2" LG.	911481
6.	5/16"-18 HEX NUT	911701
7.	5/16"-18 NYLON INSERT HEX NUT	911703
8.	5/16"-18 HHCS X 1-1/4 LG.	911751
9.	1/2" X 4-1/4" ANCHOR BOLT	912728
10.	3/4" X 5-1/2" ANCHOR BOLT	913828
11.	SPRING PIN	0970609
12.	ROLL PIN X 1-1/2"	991060
13.	HOSE GUARD ANCHOR	991345
14.	CYLINDER	992305
15.	REAR LEG	1010100
16.	FRONT LEG	1010101
17.	BASE	1010106
18.	LEG PIN	1010116
19.	1/2" KLIP-RING	1010117
20.	5/8" KLIP-RING	1010118
21.	RUBBER PAD	1010400
22.	TOP STRUCTURE	1010401
23.	LOCKING LEG	1010500
24.	LATCH PIN	1010505
25.	LATCH RELEASE HANDLE	1010509
26.	LATCH RELEASE KEYED PIVOT	1010510
27.	LATCH RELEASE PIVOT	1010511
28.	LATCH RELEASE	1010513
29.	LATCH PIN	1010514
30.	RAMP	
	TL10 (Shown)	1010600
	TL07 (Not Shown)	1010605
31.	3" RUBBER ADAPTER (TL07 Only)	FJ2428
32.	CHRISTMAS TREE FASTENER	1010906
33.	ADAPTER ASSEMBLY (TL10 Only)	1010907
34.	RUBBER PAD (VLXS10 Only)	1010908
35.	HYDRAULIC KIT	1010909
36.	115V 60Hz POWER UNIT	P1083
37.	1-1/2" RUBBER ADAPTER	FJ2427
38.	HOSE GUARD	021730