

NOTE: LIFT MUST BE RAISED TO FULL HEIGHT TO ENGAGE CAM FOR LOWERING.

ORDER THESE PARTS

2	991060	ROLL PIN, 1/4" x 1-1/2"	1
1	021520	CAM	1
ITEM	P/N	NAME	RQD.

NOTICE: THIS PRINT CONTAINS CONFIDENTIAL INFORMATION AND IS THE SOLE PROPERTY OF FORWARD MFG. CO INC. AND IS NOT TO BE USED, COPIED, OR REPRODUCED WITHOUT THE EXPRESSED WRITTEN CONSENT OF FORWARD MFG. CO. INC.

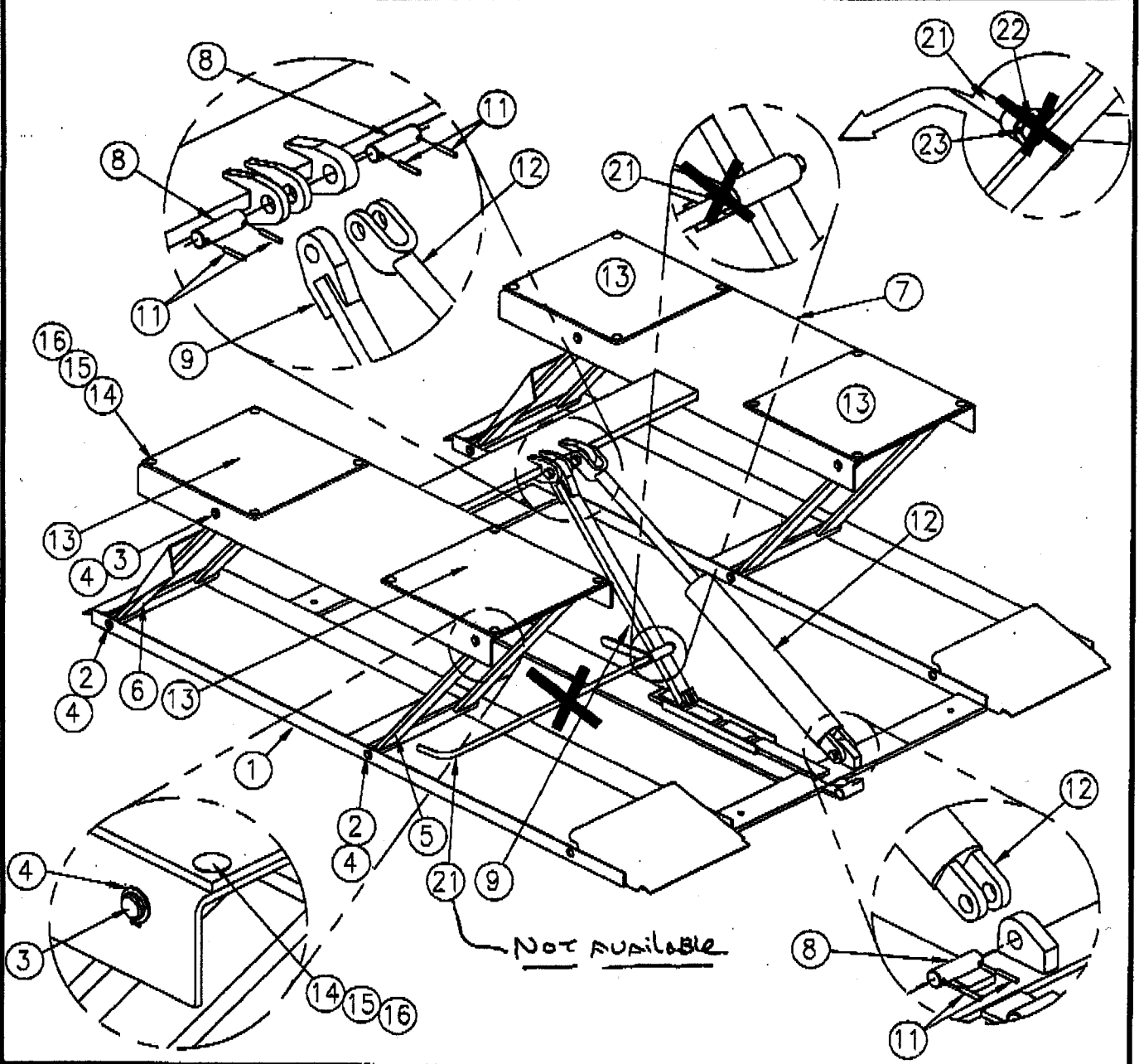
CAM RETRO KIT 6000TL

SCALE: 1/16
DATE: 8.11.05

FORWARD MFG. CO. INC.

REV	PART NO.
-	P001813

C	10.25.02	REFORMAT INTO MULTIPLE SHEETS
D	2.21.03	ECN 549 991060 REV QTY FROM 7 TO 6; 994238 WAS 994180; DELETED 021703



NOTICE: THIS PRINT CONTAINS CONFIDENTIAL INFORMATION AND IS THE SOLE PROPERTY OF FORWARD MFG. CO INC. AND IS NOT TO BE USED, COPIED, OR REPRODUCED WITHOUT THE EXPRESSED WRITTEN CONSENT OF FORWARD MFG. CO. INC.

6000TL QUICK SERVICE LIFT
6000 POUND CAPACITY

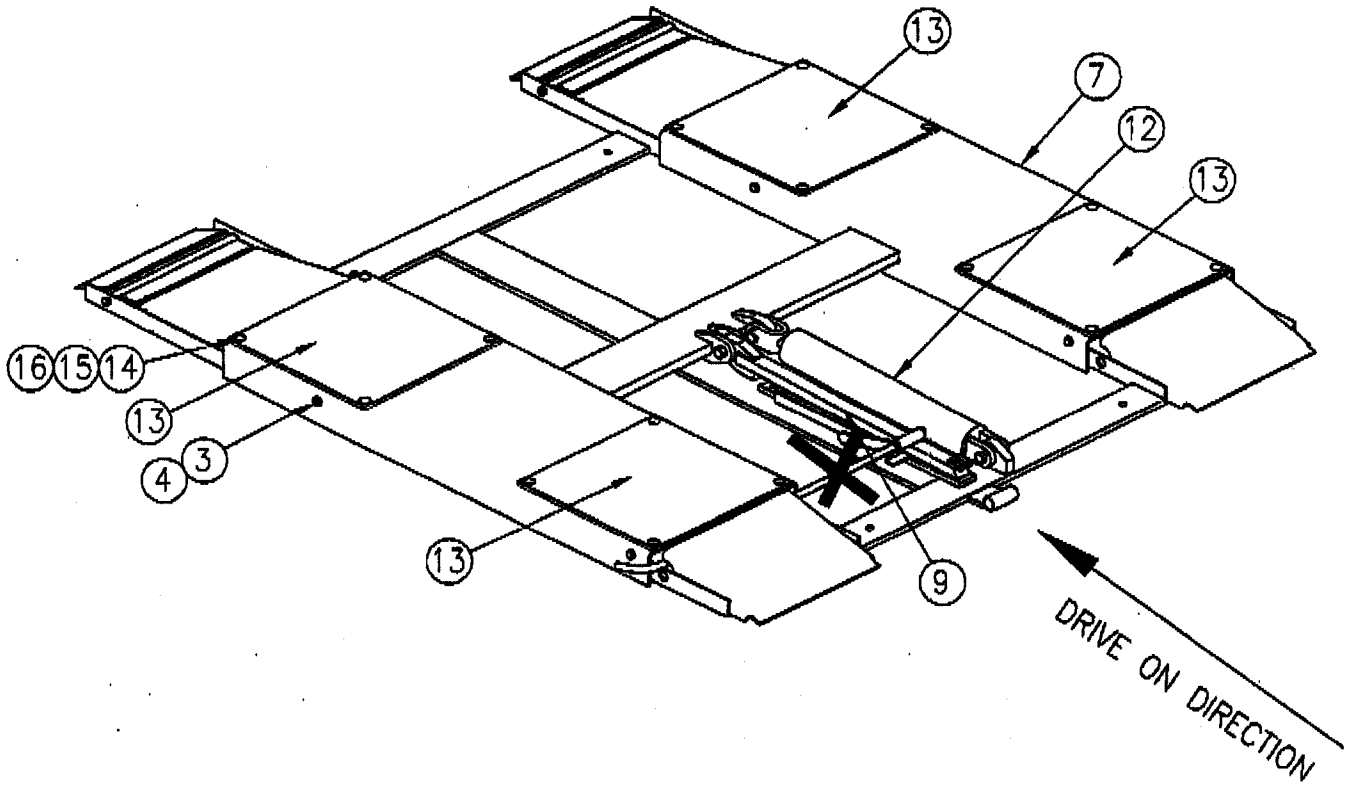
SCALE: 1.16
DATE: 12/6/00

SHEET 5 OF 5

FORWARD MFG. CO. INC.

REV D	PART NO. 021000
----------	--------------------

C	10.25.02	REFORMAT INTO MULTIPLE SHEETS	
D	2.21.03	ECN 549	991060 REV QTY FROM 7 TO 6; 994238 WAS 994180; DELETED 021703



NOTICE: THIS PRINT CONTAINS CONFIDENTIAL INFORMATION AND IS THE SOLE PROPERTY OF FORWARD MFG. CO INC. AND IS NOT TO BE USED, COPIED, OR REPRODUCED WITHOUT THE EXPRESSED WRITTEN CONSENT OF FORWARD MFG. CO. INC.

6000TL QUICK SERVICE LIFT
6000 POUND CAPACITY

SCALE: 1.16

DATE: 12/6/00

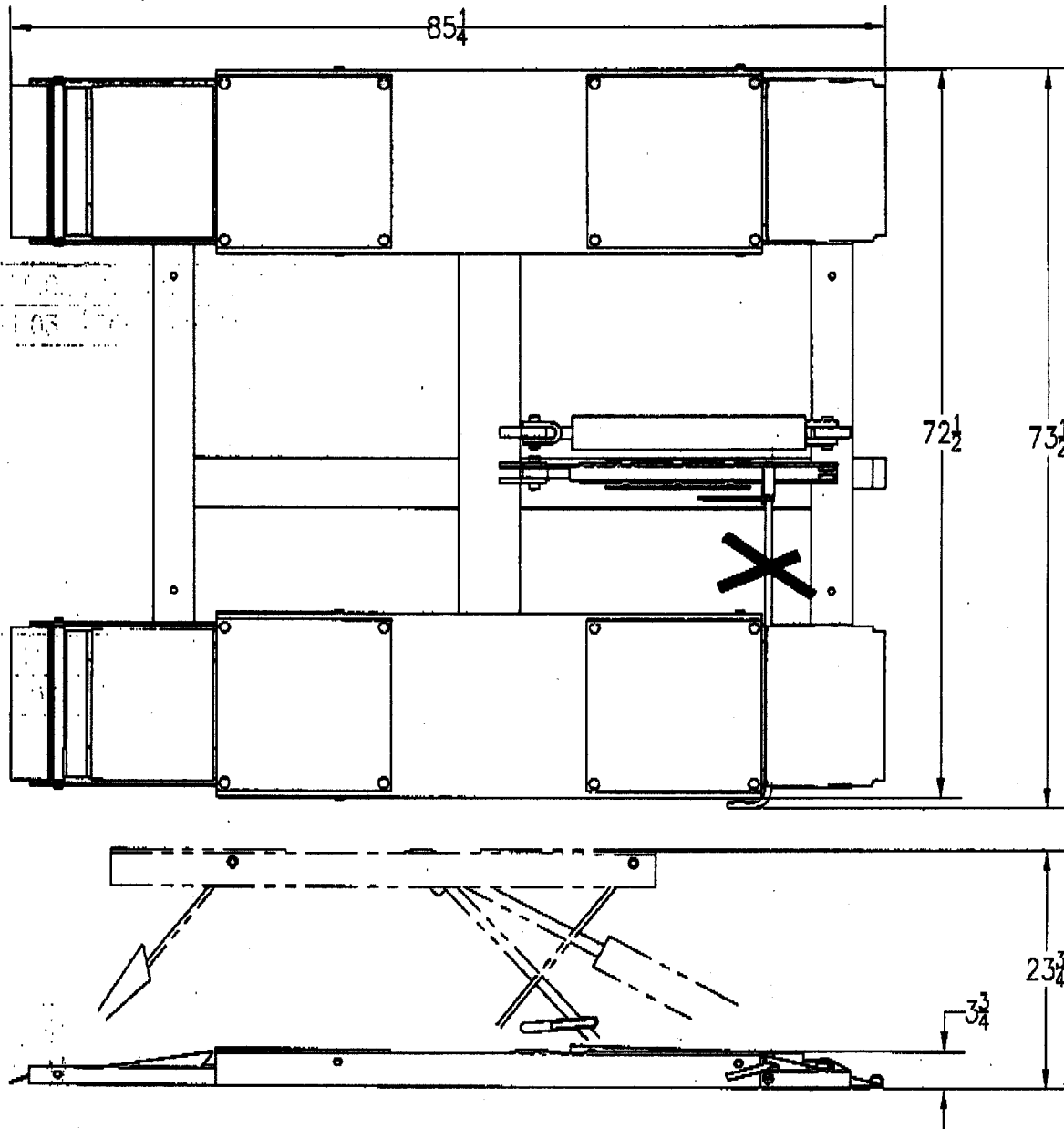
SHEET 4 OF 5

FORWARD MFG. CO. INC.

REV
D

PART NO.
021000

C	10.25.02	REFORMAT INTO MULTIPLE SHEETS	
D	2.21.03	ECN 549	991060 REV QTY FROM 7 TO 6; 994238 WAS 994180; DELETED 021703



NOTICE: THIS PRINT CONTAINS CONFIDENTIAL INFORMATION AND IS THE SOLE PROPERTY OF FORWARD MFG. CO INC. AND IS NOT TO BE USED, COPIED, OR REPRODUCED WITHOUT THE EXPRESSED WRITTEN CONSENT OF FORWARD MFG. CO. INC.

6000TL QUICK SERVICE LIFT
6000 POUND CAPACITY

SCALE: 1.16
DATE: 12/6/00

SHEET 1 OF 5

FORWARD MFG. CO. INC.

REV
D

PART NO.
021000

12' Nose 992184

C	10.25.02	REFORMAT INTO MULTIPLE SHEETS
D	2.21.03	ECN 549 991060 REV QTY FROM 7 TO 6; 994238 WAS 994180; DELETED 021703

Redlined by Doug Brown 7/13/05

ITEM	P/N	NAME	DESCR.	RQD.
24	021520	CAM		1
25	991070	ROTTER PIN	1/16 x 1	1
22	913200	WASHER	5/8" SAE	1
21	021000	LATCH RELEASE WELDMENT		1
20	994238	BOLT BOX		1
19	992014	POWER UNIT	110 VOLT 992425 ELBOW 99242L	1
18	021730	HOSE COVER	12Ga x 5 x 60	1
17	-	-		-
16	911405	FLAT WASHER	1/4 NOM.	16
15	911401	NUT	1/4NC	16
14	991243	ELEVATOR BOLT	1/4NC x 1 99268M KIT	16
13	991338	RUBBER PAD	5/16 BLACK REINFORCED CONV BELT	4
12	992305	CYLINDER	3ø BORE x 18 STROKE	1
11	991060	ROLL PIN	1/4ø x 1-1/2	1
10	-	-		-
9	021501	LATCH WELDMENT		1
8	021420	LATCH/CYLINDER PIN	1ø x 3-1/4	3
7	021401	TOP WELDMENT		1
6	021301	RAMP LEG WELDMENT		2
5	021201	LEG WELDMENT		2
4	991174	HEAVY DUTY SNAP RING	TRU-ARC 5160-75	16
3	021131	TOP LEG PIN	3/4ø x 18-7/16	4
2	021130	BASE LEG PIN	3/4ø x 16-7/8	4
1	021101	BASE WELDMENT		1

7

NOTICE: THIS PRINT CONTAINS CONFIDENTIAL INFORMATION AND IS THE SOLE PROPERTY OF FORWARD MFG. CO INC. AND IS NOT TO BE USED, COPIED, OR REPRODUCED WITHOUT THE EXPRESSED WRITTEN CONSENT OF FORWARD MFG. CO. INC.

6000TL QUICK SERVICE LIFT
6000 POUND CAPACITY

SCALE: 1.16
DATE: 12/6/00 SHEET 3 OF 5

FORWARD MFG. CO. INC.

REV D	PART NO. 021000
----------	--------------------