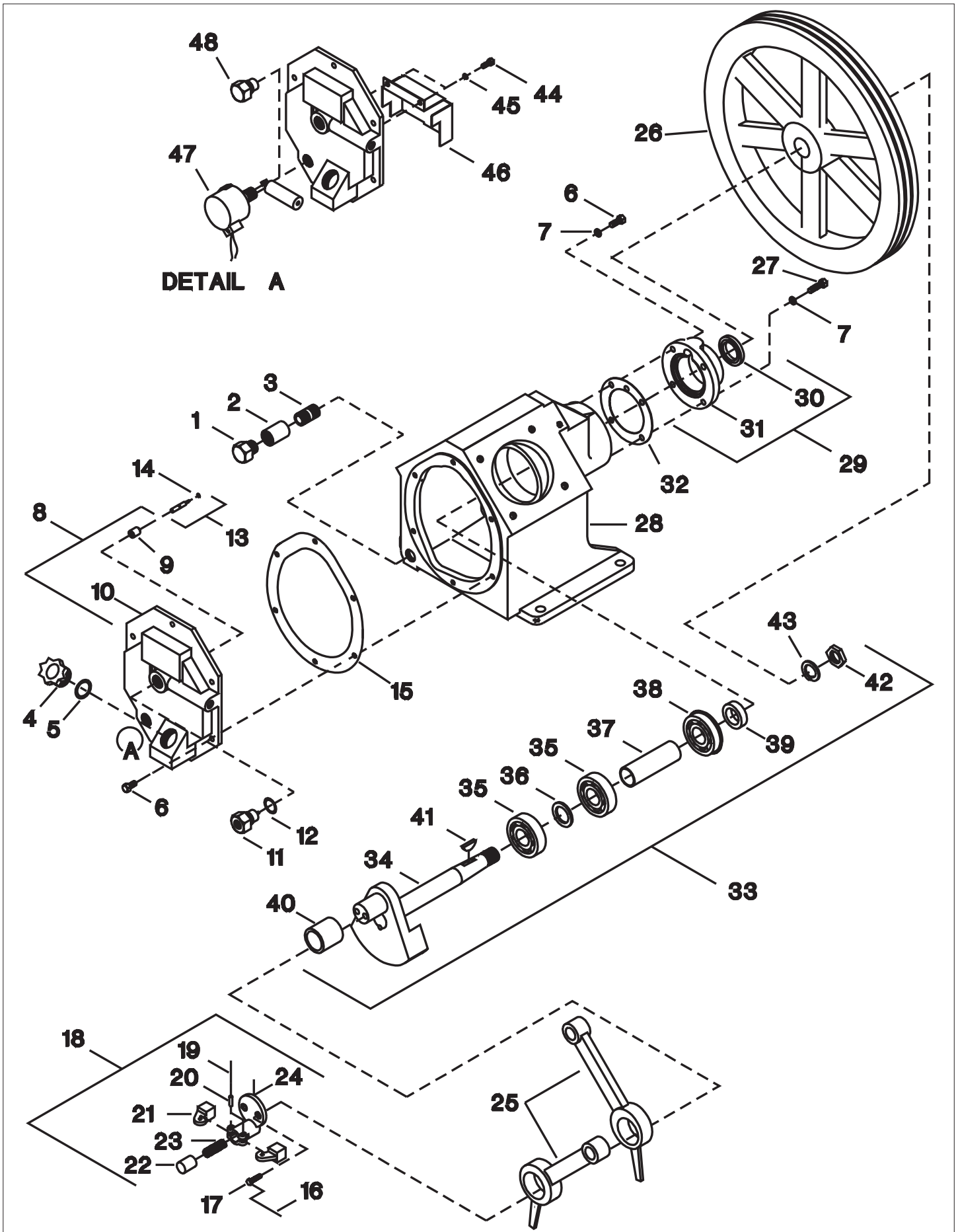


PARTS LIST

T30 MODEL 2545
TWO STAGE
INDUSTRIAL
AIR COMPRESSOR

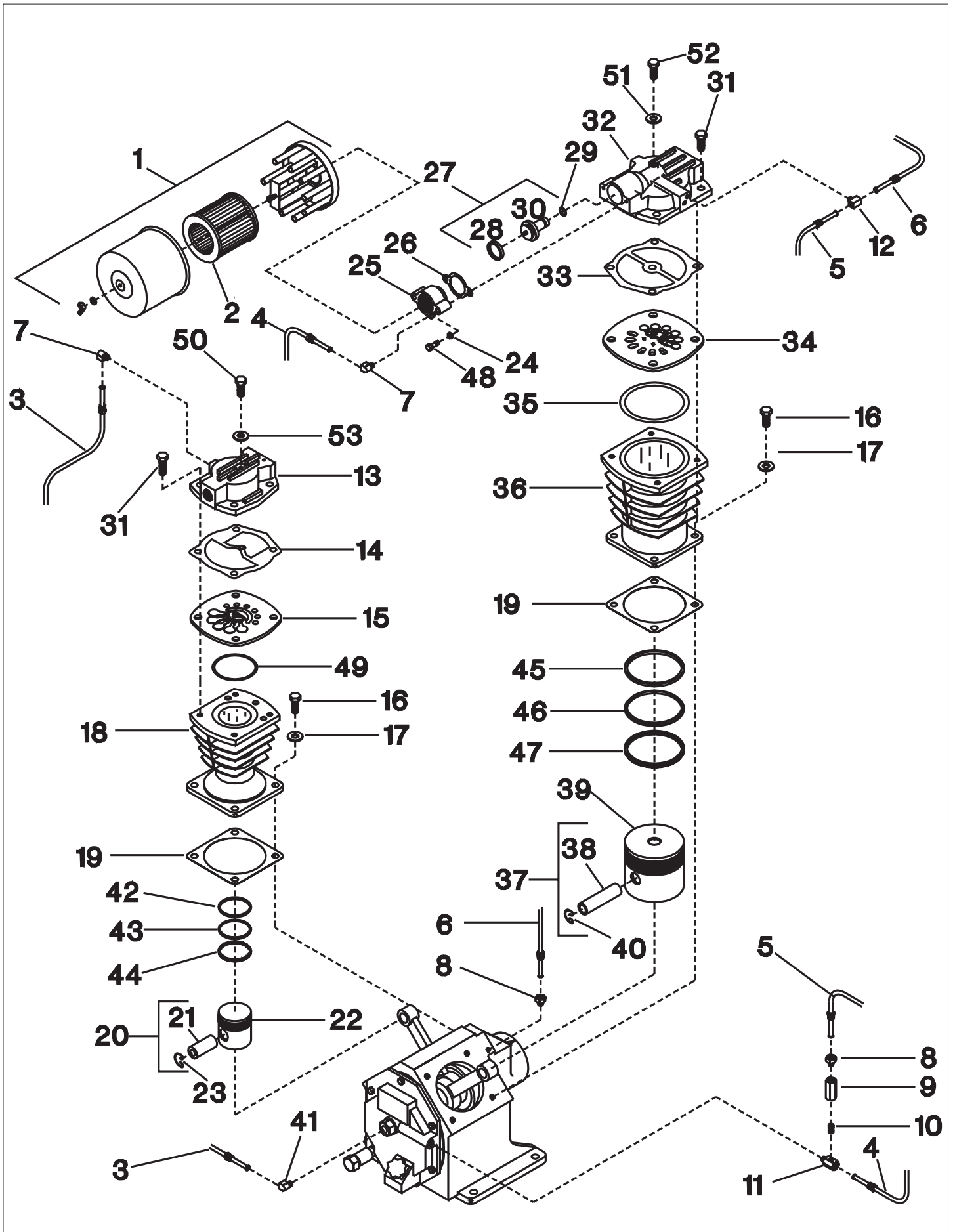
FIGURE 1. COMPRESSOR PUMP ASSEMBLY (VIEW 1).



REF. NO.	PART NO.	DESCRIPTION	QTY.	SPARES		
				1	2	3
1-1	95344651	PLUG, PIPE - HEX HEAD 1/2"	1			
1-2	32179061	COUPLING, PIPE - 1/2"	1			
1-3	95273330	NIPPLE, PIPE	1			
1-4	32247843	PLUG, OIL FILL	1			
1-5	32247850	O-RING, OIL FILL PLUG	1	1	1	2
1-6	95105250	CAPSCREW, HEX - 5/16-18X1"	8			
1-7	95674651	WASHER, COPPER	2			
1-8	32293938	ASSEMBLY, FRAME END COVER	1			
1-9	37127057	● BUSHING, PILOT VALVE	1			
1-10	NSS	● COVER, FRAME END	1			
1-11	37113701	VALVE, PILOT	1			
1-12	30346597	WASHER, COPPER - 7/8"	1		1	1
1-13	32028698	ASSEMBLY, THRUST PIN	1			
1-14	95210225	● O-RING, THRUST PIN	1	1	1	2
1-15	32294035	GASKET, FRAME END COVER	1	1	1	2
1-16	90799289	LOCKWIRE, 12 GAUGE - 5"	1			
1-17	30278667	CAPSCREW, LOCK - 3/8-16X7/8"	2			
1-18	30289110	ASSEMBLY, CRANKPIN CAP	1			
1-19	32006587	● LOCKWIRE, 12 GAUGE - 4"	1			
1-20	30215008	● PIN, CENTRIFUGAL UNLOADER WEIGHT	2			
1-21	30221725	● WEIGHT, CENTRIFUGAL UNLOADER	2			
1-22	30216113	● PLUNGER, CENTRIFUGAL UNLOADER	1			
1-23	30416978	● SPRING, CENTRIFUGAL UNLOADER	1			1
1-24	30210447	● BODY, CRANKPIN CAP	1			
1-25	32198160	ROD, CONNECTING	2		2	2
1-26	97333975	BELTWHEEL	1			
1-27	95079984	CAPSCREW, HEX - 5/16-18X1-1/4"	2			
1-28	32203192	FRAME, COMPRESSOR	1			
1-29	32183972	ASSEMBLY, SHAFT END COVER	1			
1-30	NSS	● SEAL, SHAFT (SEE NOTE)	1		1	2
1-31	NSS	● COVER, SHAFT END	1			
1-32	32294027	GASKET, SHAFT END COVER	1	1	1	2
1-33	32294431	ASSEMBLY, CRANKSHAFT	1			
1-34	NSS	● ASSEMBLY, DISC & SHAFT	1			
1-35	95200770	● BEARING, BALL	2			
1-36	32203218	● SPACER, INNER BEARING	1			
1-37	32203226	● SPACER, OUTER BEARING	1			
1-38	95305546	● BEARING, BALL - WITH SNAP RING	1			
1-39	37127941	● RING, BEARING RETAINER	1			
1-40	30210165	● BUSHING, CRANKPIN	1			
1-41	95433173	● KEY, WOODRUFF	1			
1-42	95098315	● NUT, BELTWHEEL -7/8-14	1			
1-43	95043162	● LOCKWASHER, SPRING - 7/8"	1			
DETAIL A						
1-44	95053070	CAPSCREW, HEX - 1/4-20X1/2"	2			
1-45	95043196	LOCKWASHER, SPRING - 1/4"	2			
1-46	32270654	BAFFLE, LOW OIL LEVEL SWITCH	1			
1-47	32276313	SWITCH, LOW OIL LEVEL	1			
1-48	97330245	OIL, SIGHTGLASS (IF LOW OIL LEVEL SWITCH IS NOT USED)	1			

NOTE: If Shaft Seal replacement is desired, we recommend a Shaft Repair/Seal Kit (Part Number 32319683). This kit includes a shaft repair sleeve, a replacement shaft seal, a tube of Loctite, a shaft end cover gasket and instructions.

FIGURE 2. COMPRESSOR PUMP ASSEMBLY (VIEW 2).



REF. NO.	PART NO.	DESCRIPTION	QTY.	SPARES		
				1	2	3
2-1	32230542	FILTER, AIR INLET - COMPLETE	1			
2-2	32012957	● ELEMENT, FILTER - 10 MICRON	1	1	1	1
2-3	32293953	ASSEMBLY, TUBE - PILOT VALVE/HIGH PRESSURE HEAD	1			
2-4	32201444	ASSEMBLY, TUBE - FRAME END COVER TEE/INLET	1			
2-5	32293961	ASSEMBLY, TUBE - FEC CHECK VALVE/LOW PRESSURE HEAD	1			
2-6	32293946	ASSEMBLY, TUBE - BREATHER	1			
2-7	95031860	ELBOW, TUBE - 5/16X1/8"	2			
2-8	95082483	CONNECTOR, TUBE - 5/16X1/8"	2			
2-9	32001141	VALVE, CHECK	1			
2-10	95796017	NIPPLE, CLOSE - 1/8X3/4"	1			
2-11	32203242	CONNECTOR, MALE - 5/16X1/4"	1			
2-12	95007522	TEE, MALE BRANCH - 5/16X1/8"	1			
2-13	56280423	HEAD, HIGH PRESSURE	1			
2-14	32294043	GASKET, HEAD - HIGH PRESSURE	1	1	1	2
2-15	56280357	ASSEMBLY, VALVE PLATE - HIGH PRESSURE (SEE FIG. 4)	1			
2-16	95053567	CAPSCREW, HEX - 1/2-13X1-1/4"	8			
2-17	95674701	GASKET, COPPER WASHER - 1/2"	8			
2-18	32295248	CYLINDER - 2-3/4" - 2ND STAGE	1			
2-19	32294019	GASKET, FLANGE	2	2	2	4
2-20	32496614	COMPLETE, PISTON/PIN - HIGH PRESSURE	1		1	1
2-21	32182818	● PIN, PISTON	1			
2-22	NSS	● PISTON - 2-3/4"	1			
2-23	30287791	● RING, LOCK	2			
2-24	95043188	LOCKWASHER, SPRING - 5/16"	2			
2-25	32230633	COVER, UNLOADER	1			
2-26	32182826	GASKET, UNLOADER COVER	1	1		
2-27	32256265	ASSEMBLY, PISTON UNLOADER	1	1	1	2
2-28	32254740	● SEAL, UNLOADER PISTON	1	1	1	2
2-29	32188385	● O-RING, UNLOADER PISTON	1	1	1	2
2-30	NSS	● PISTON, UNLOADER	1			
2-31	95104188	CAPSCREW, HEX - 1/2-13X1-3/4"	8			
2-32	56280415	HEAD, LOW PRESSURE (SUCTION UNLOADER UNITS)	1			
2-32	56281165	HEAD, LOW PRESSURE (AS&S UNITS) [*NOT ILLUSTRATED]	1			
2-33	32294050	GASKET, HEAD - LOW PRESSURE	1	1	1	2
2-34	56280514	ASSEMBLY, VALVE PLATE - LOW PRESSURE (SEE FIG. 3)	1			
2-35	32294076	O-RING, VALVE PLATE	1	1	1	2
2-36	32295271	CYLINDER - 5" - 1ST STAGE	1			
2-37	32496580	COMPLETE, PISTON/PIN - LOW PRESSURE	1	1	1	2
2-38	30297022	● PIN, PISTON	1			
2-39	NSS	● PISTON, LOW PRESSURE (5")	1			
2-40	30287791	● RING, LOCK	2		1	1
2-41	95110441	ELBOW, 5/16X1/4" TUBE	1			
2-42	32294167	SET, HIGH PRESSURE (2.75") PISTON RINGS	1			
2-43	32294175	RING, SCRAPER (2.75")	1			
2-44	32295792	RING, OIL CONTROL (2.75")	1			
2-45	32294209	SET, LOW PRESSURE (5") PISTON RINGS	1			
2-46	32294217	RING, SCRAPER (5")	1			
2-47	32295784	RING, OIL CONTROL (5")	1			
2-48	95079927	CAPSCREW, 5/16-18X1-3/4" HEX HEAD	2			
2-49	32294068	O-RING, HIGH PRESSURE VALVE PLATE	1	1	1	2
2-50	95318978	CAPSCREW, 1/4-28X2-1/4" HEX HEAD	1			
2-51	95674677	WASHER, 3/8" COPPER	1			

FIGURE 3. LOW PRESSURE (FIRST STAGE) VALVE PLATE ASSEMBLY.

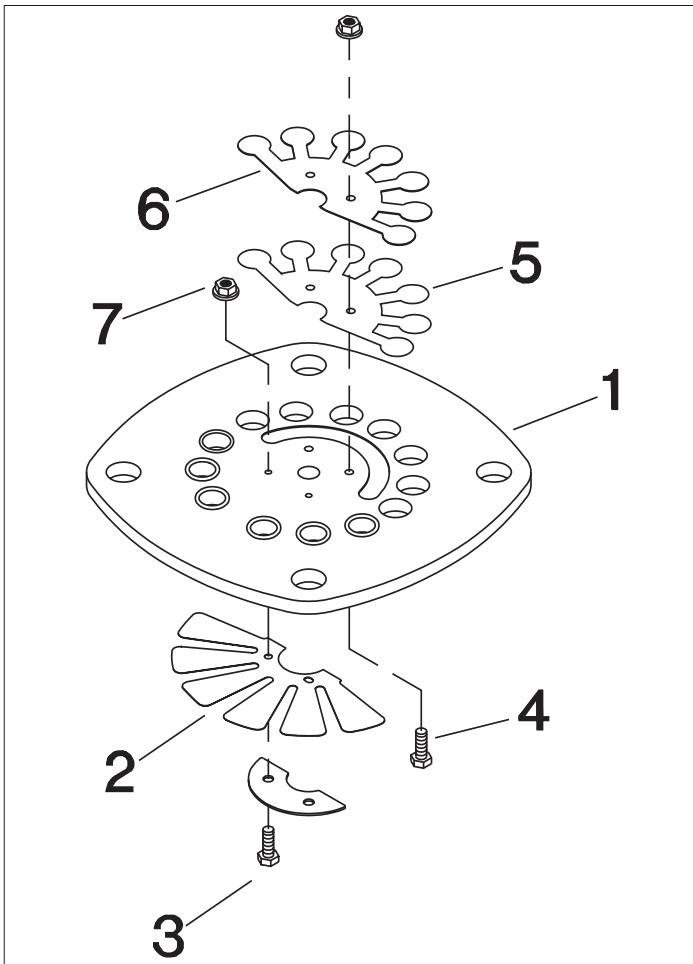
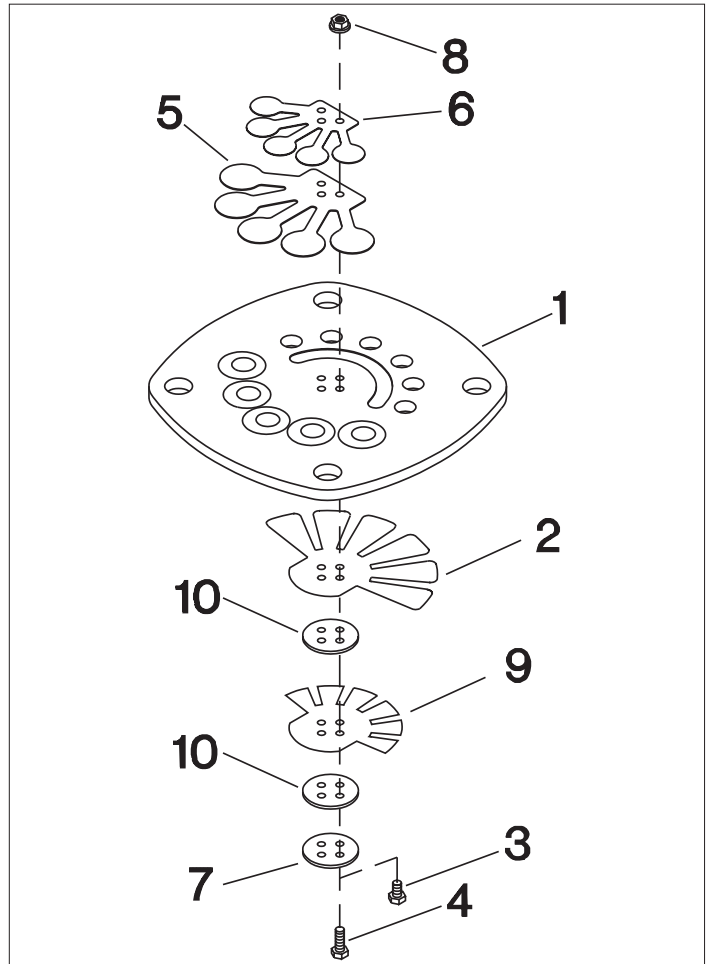


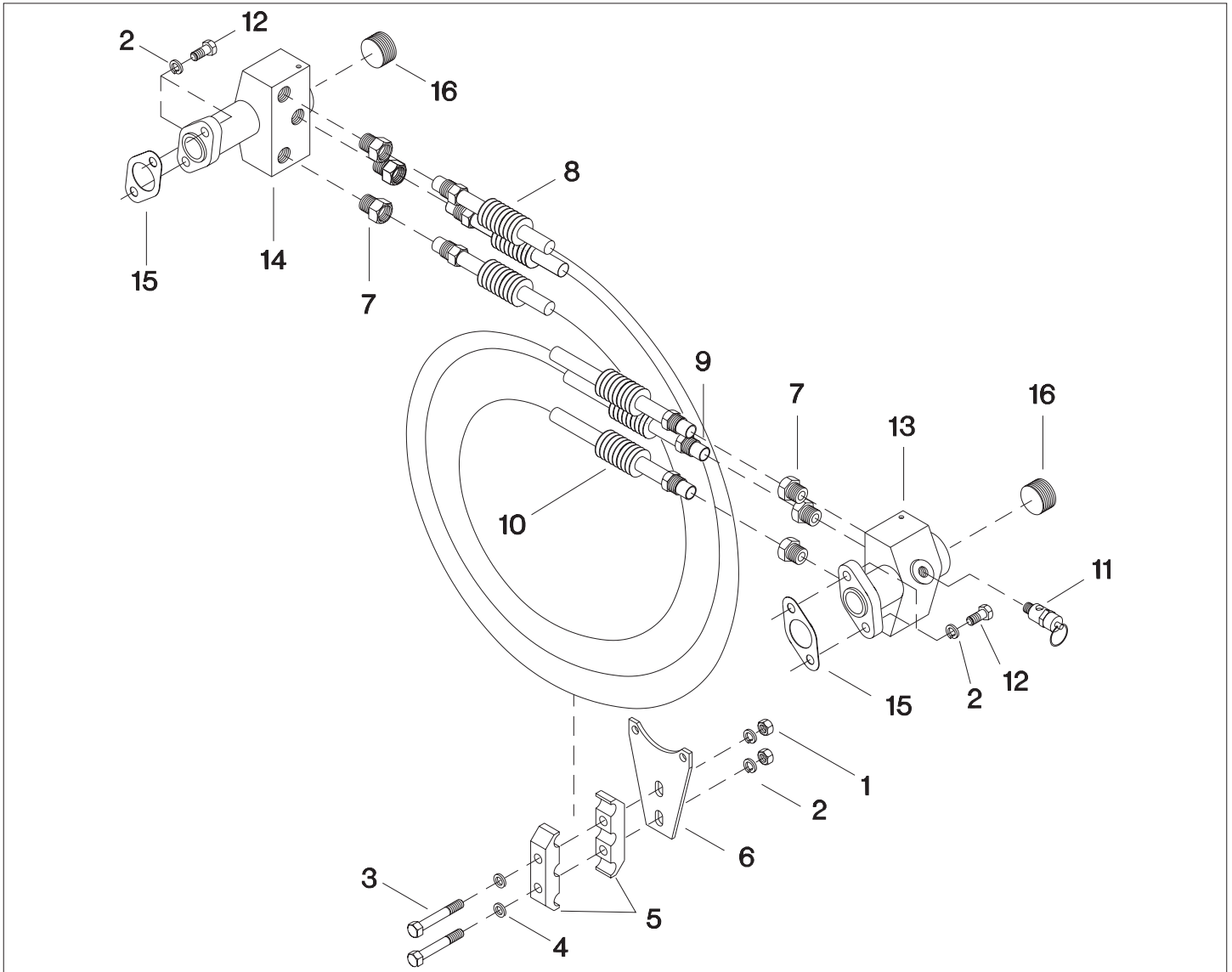
FIGURE 4. HIGH PRESSURE (SECOND STAGE) VALVE PLATE ASSEMBLY.



REF. NO.	PART NO.	DESCRIPTION	QTY.	SPARES		
				1	2	3
Ref.	56280514	ASSEMBLY, LOW PRESSURE (5") VALVE PLATE (WITH DISCHARGE BACK STOP)	1			
3-1	32294274	PLATE, LOW PRESSURE VALVE	1			
3-2	32294324	VALVE, LOW PRESSURE INTAKE FINGER	1			
3-3	32294340	RETAINER, LOW PRESSURE INTAKE VALVE	1			
3-4	96705702	SCREW, M4X16 HEX HEAD	4			
3-5	32294332	VALVE, LOW PRESSURE DISCHARGE FINGER	1			
3-6	56280142	BACKSTOP, LOW PRESSURE DISCHARGE	1			

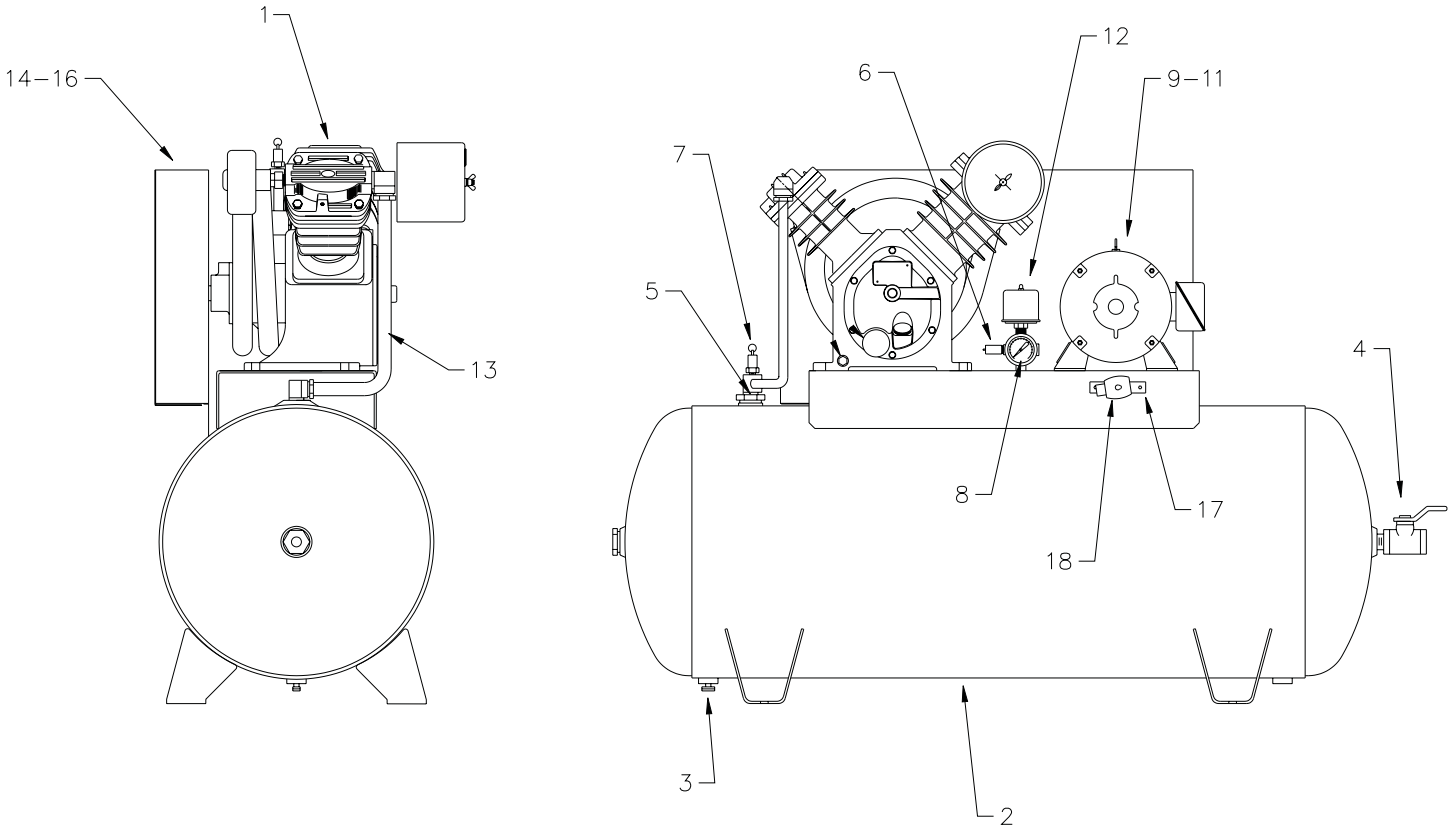
REF. NO.	PART NO.	DESCRIPTION	QTY.	SPARES		
				1	2	3
Ref.	56280357	ASSEMBLY, HIGH PRESSURE (2.75") VALVE PLATE	1			
4-1	56280365	PLATE, HIGH PRESSURE VALVE	1			
4-2	32294282	VALVE, HIGH PRESSURE INTAKE FINGER	1			
4-3	96738323	SCREW, M3X10 HEX HEAD	1			
4-4	96738331	SCREW, M3X20 HEX HEAD	3			
4-5	32294290	VALVE, HIGH PRESSURE DISCHARGE	1			
4-6	56280134	BACKSTOP, HIGH PRESSURE DISCHARGE	1			
4-7	32294308	RETAINER, HIGH PRESSURE INTAKE VALVE	1			
4-8	97511059	NUT, M3 HEX WITH LOCKWASHER	3			
4-9	32295826	DAMPER, VALVE	1			

FIGURE 5. INTERCOOLER ASSEMBLY.



REF. NO.	PART NO.	DESCRIPTION	QTY.	SPARES		
				1	2	3
Ref.	32188666	ASSEMBLY, INTERCOOLER	1			
5-1	95077764	NUT, HEX - 3/8-16	2			
5-2	95081857	LOCKWASHER, SPRING - 3/8"	6			
5-3	95079646	CAPSCREW, HEX - 3/8-16X2-1/2"	2			
5-4	95069597	WASHER, FLAT - 3/8"	2			
5-5	32294159	CLAMP, INTERCOOLER	2			
5-6	32294142	BRACKET, INTERCOOLER CLAMP	1			
5-7	95083226	CONNECTOR, MALE - 5/8X1/2"	6			
5-8	32211708	ASSEMBLY, TUBE - #3 INTERCOOLER	1		1	2
5-9	32211690	ASSEMBLY, TUBE - #2 INTERCOOLER	1		1	2
5-10	32211682	ASSEMBLY, TUBE - #1 INTERCOOLER	1		1	2
5-11	72062185	VALVE, RELIEF - 80 PSIG	1			2
5-12	95468443	CAPSCREW, HEX - 3/8-16X1"	4			
5-13	32185787	MANIFOLD, HEAD - LP	1			
5-14	32185795	MANIFOLD, HEAD - HP	1			
5-15	32188377	GASKET, MANIFOLD	2	2	2	4

FIGURE 6. TYPICAL PACKAGE.



REF. NO.	PART NO.	DESCRIPTION	QTY.
6-1	32304388	COMPRESSOR, BARE	1
6-2	97335772	ASSEMBLY, RECEIVER	1
6-3	32027120	VALVE, MANUAL DRAIN	1
6-4	32106569	VALVE, BALL — SERVICE VALVE	1
6-5	97331235	VALVE, CHECK	1
6-6	31385693	VALVE, SAFETY/RELIEF — RECEIVER	1
6-7	32174286	VALVE, SAFETY/RELIEF — DISCHARGE	1
6-8	32499816	GAUGE, PRESSURE — 300 PSIG	1
6-9	54386073	MOTOR, ELECTRIC — 220/380-3-50	1
6-9	32333890	MOTOR, ELECTRIC — 220/380-3-60	1
6-10	54386487	PULLEY, MOTOR (FOR 220/380-3-50 MOTOR)	1
6-10	54386495	PULLEY, MOTOR (FOR 220/380-3-60 MOTOR)	1
6-11	95100186	BELT, DRIVE — A90 (FOR 220/380-3-50 MOTOR)	1
6-11	95100178	BELT, DRIVE — A85 (FOR 220/380-3-60 MOTOR)	1
6-12	56288798	SWITCH, PRESSURE	1
6-13	32333833	ASSEMBLY, TUBE - COMPRESSOR TO RECEIVER	1
6-14	32184327	FRONT, BELTGUARD	1
6-15	32315590	BACK, BELTGUARD	1
6-16	32188518	BRACE, BELTGUARD	2
6-17	54384045	BRACKET, SOLENOID VALVE	1
6-18	32701682	VALVE, SOLENOID	1
NI	32333841	ASSY., TUBE — UNLOADER	1

NI = NOT ILLUSTRATED.

MAINTENANCE PAKS

Maintenance paks contain all the parts necessary for one complete routine maintenance service of your compressor. All-Season T30 Select lubricant, air filter elements, gaskets, drive belts, and instructions are standard with all maintenance paks.

PART NO.	DESCRIPTION
38485082	PAK, MAINTENANCE

VIBRATION ISOLATOR PADS

Vibration isolator pads are designed to absorb 40%-60% of the sound and vibration of your compressor.

PART NUMBER	DESCRIPTION
32320681	PAD, VIBRATION ISOLATOR - 4" X 4" SP-NR
32320699	PAD, VIBRATION ISOLATOR - 5" X 5" SP-NR
32321002	PAD, VIBRATION ISOLATOR - 4" X 4" NRC
32321028	PAD, VIBRATION ISOLATOR - 5" X 5" NRC
32321010	PAD, VIBRATION ISOLATOR - 6" X 6" NRC

SP-NR: Steel plate bonded between a NR pad and a non-skid oil-resistant ribbed neoprene top pad.

NRC: Two ribbed neoprene pads bonded to 1/2" cork pad.

COMPRESSOR LUBRICANT

All Season T30 Select® is an all-temperature diester synthetic lubricant that is formulated for exceptional lubrication at low, normal and high operating temperatures.

PART NUMBER	DESCRIPTION
32318875	LUBRICANT, ALL SEASON T30 SELECT - QUART
32318883	LUBRICANT, ALL SEASON T30 SELECT – CASE OF 12 QUARTS

START-UP KITS

Each start-up kit contains the necessary quantities of All Season T30 Select lubricant and air filter element(s) to start-up and maintain your compressor for the first year.

PART NUMBER	DESCRIPTION
32305898	KIT, START-UP

CRANKCASE HEATER KITS

Crankcase heaters are recommended when ambient temperatures are consistently below 32°F (0°C). An easy-to-install external crankcase heater kit is intended for aftermarket use. Two kits may be required for some applications.

PART NUMBER	DESCRIPTION
97330385	KIT, CRANKCASE HEATER

STEP SAVER KITS

Step Saver Kits provide all of the parts required to perform common repair or scheduled maintenance tasks, such as piston ring replacement or valve replacement.

PART NUMBER	DESCRIPTION	CONTENTS
32307118	KIT, VALVE/GASKET	Valve wearing parts and head gaskets that are destroyed in replacing valve parts.
32307084	KIT, RING/GASKET	Complete set of piston rings, a crankshaft seal, and gaskets that are destroyed in breaking the unit down to replace the rings.
32204307	KIT, BEARING/CONNECTING ROD	Set of connecting rods, main bearings, and a crankpin bushing, a gasket set is recommended with this kit.
32307126	SET, GASKET	Complete set of gaskets that are destroyed in breaking the unit down for service. recommended with bearing/connecting rod kit or as spare gaskets.
32319477	KIT, OVERHAUL	All of the above for complete overhaul service.

LOOK WHAT INGERSOLL-RAND CAN DO FOR YOU!



Efficient Field Service

We maintain a highly trained staff of technicians to service your equipment for preventive maintenance, or to assist you should emergencies ever occur.



Complete Repair Service

Our trained technicians will repair or overhaul your equipment to factory specifications, using only genuine I-R parts.



Special Engineering Service

We can help you identify and solve your problems by evaluating your needs and recommending the proper equipment to give you maximum efficiency.



Spare Parts

By stocking genuine I-R spare parts, we can help you avoid costly delays or substituting inferior parts. Using genuine I-R parts on your I-R equipment will help to keep even older equipment running in good-as-new condition.



Complete Stock of Equipment

We carry a complete line of I-R equipment and accessories designed to meet any compressed air application. We are backed by I-R's prompt factory shipment to ensure you on-time delivery.

A SUBSTITUTE IS NOT A REPLACEMENT!

Ensure you get peak performance and longevity out of your Ingersoll-Rand product by insisting on genuine Ingersoll-Rand replacement parts and maintenance kits. Not only are the replacement parts made to precise dimensions and OEM-specified metallurgy, but each part is backed by the Ingersoll-Rand warranty. Your local Air Center, Distributor, or direct Ingersoll-Rand salesperson will work with you to ensure you get the parts you need to do the job right. Equip your machines with only the best — Ingersoll-Rand genuine parts.

NOTE: THE USE OF REPAIR PARTS OTHER THAN THOSE INCLUDED WITHIN THE INGERSOLL-RAND COMPANY APPROVED PARTS LIST MAY CREATE UNSAFE CONDITIONS OR MECHANICAL FAILURES OVER WHICH INGERSOLL-RAND COMPANY HAS NO CONTROL. INGERSOLL-RAND COMPANY SHALL BEAR NO RESPONSIBILITY FOR EQUIPMENT ON WHICH NON-APPROVED REPAIR PARTS ARE INSTALLED.

The manufacturer reserves the right to make changes or add improvements without notice and without incurring any obligation to make such changes to products previously sold.