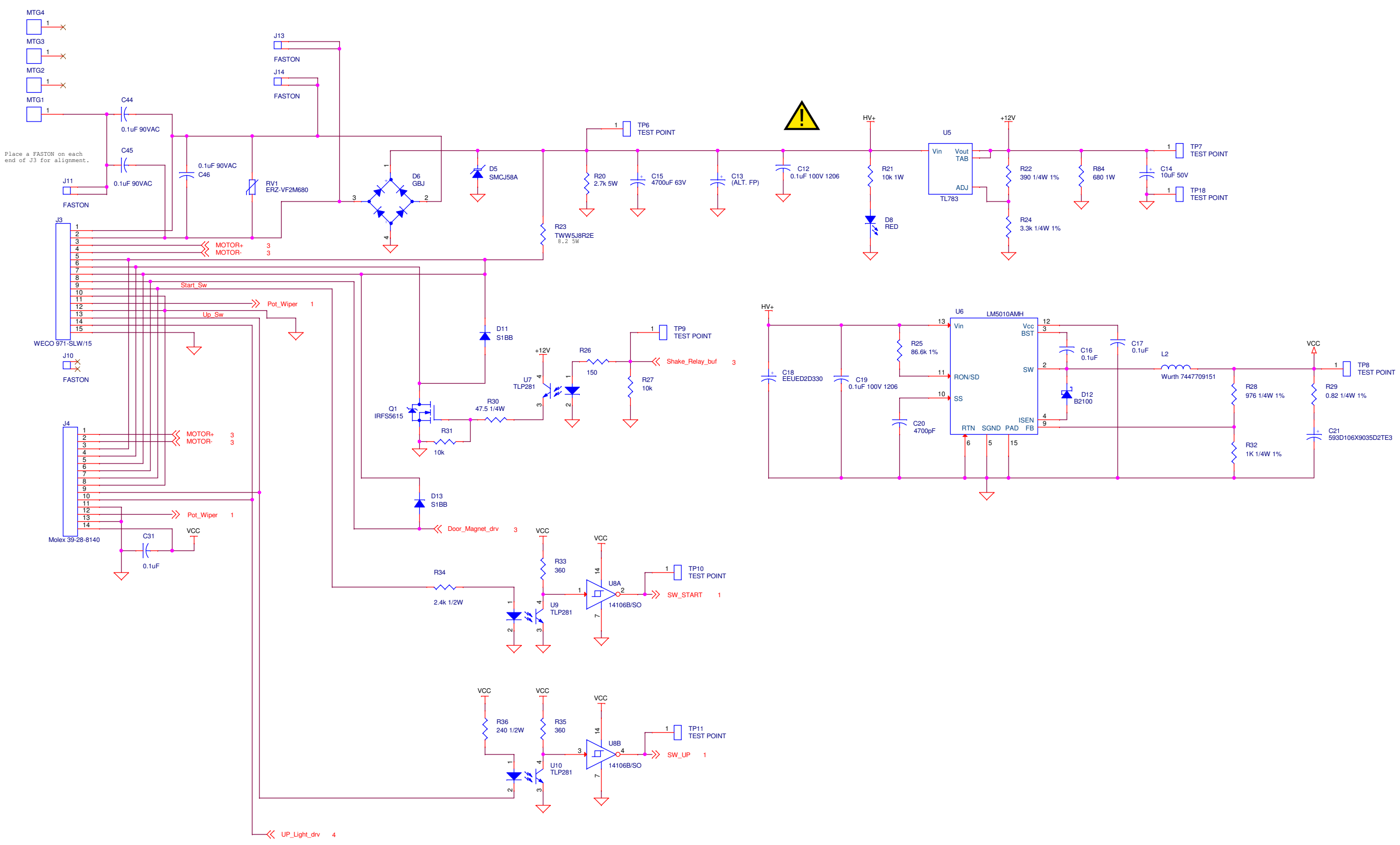


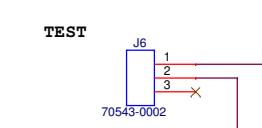
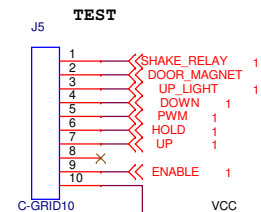
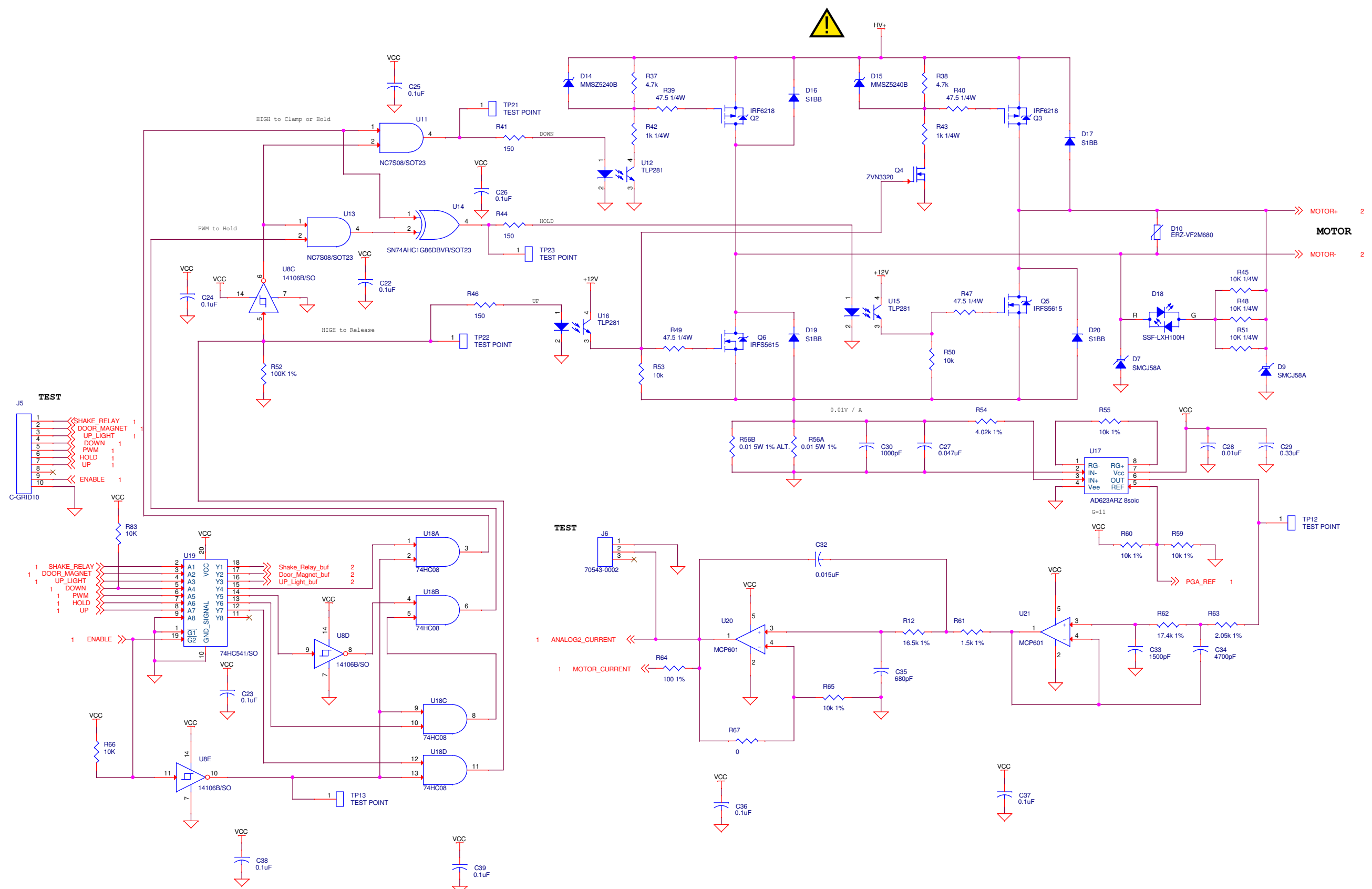
CLAMPING
CURRENT
SELECTOR

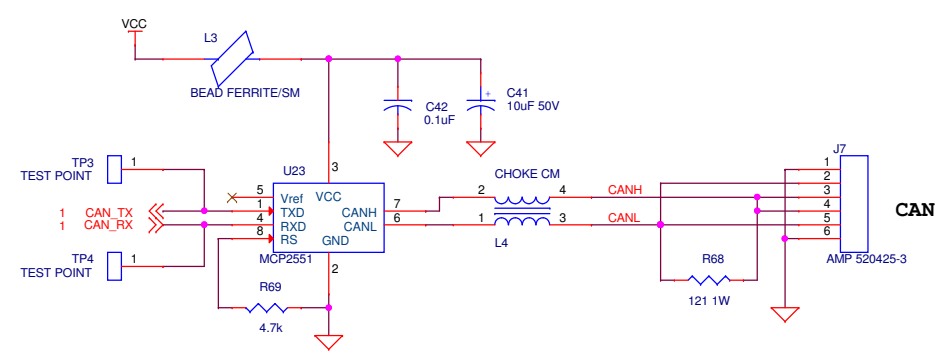
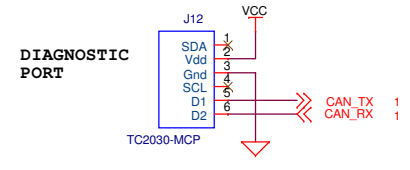
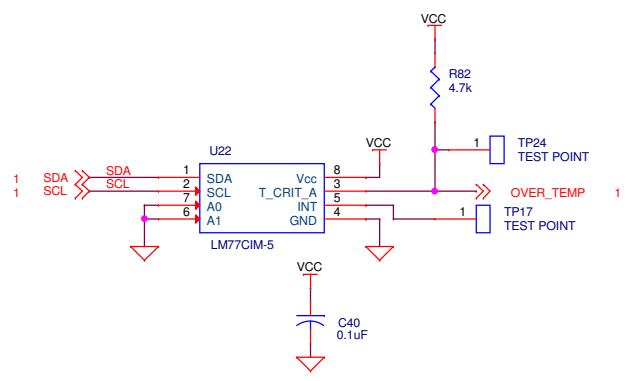
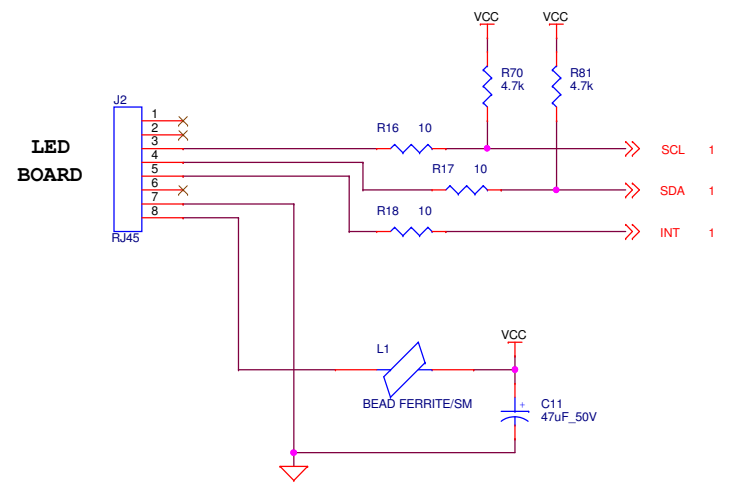
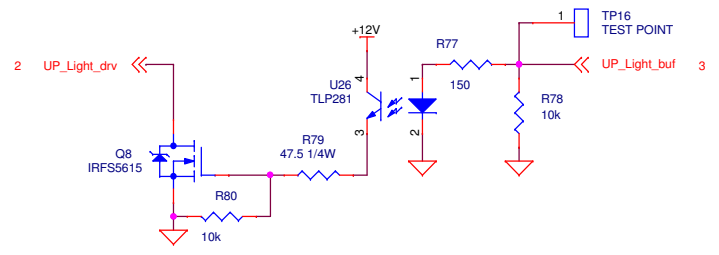
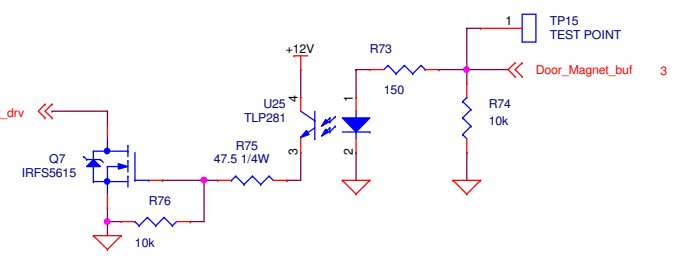
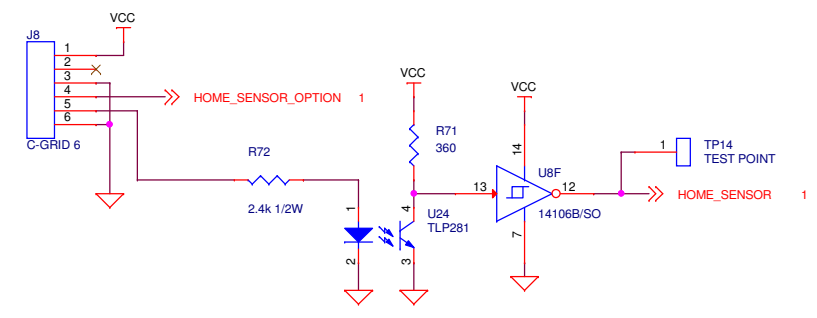
OPTION SELECT
SW1 - SERVICE
SW2 - MODE

FLUID MANAGEMENT, INC.
A Unit of IDEX Corporation
1023 Wheeling Road
Wheeling, IL 60090

| | | | |
|---|-------------------------|-------|--------|
| Title | | | |
| Mixer Board, Adjustable Pressure | | | |
| Size | Document Number | Rev | |
| C | 87140035RH | F | |
| Date: | Wednesday, May 30, 2012 | Sheet | 1 of 4 |







| | | | |
|---|------------------------|-------|--------|
| FLUID MANAGEMENT, INC. | | | |
| IDEX Dispensing Division | | | |
| 1023 Wheeling Road | | | |
| Wheeling, IL 60090 | | | |
| Title | | | |
| Mixer Board, Adjustable Pressure | | | |
| Size | Document Number | Rev | |
| C | 87140035RH | F | |
| Date: | Thursday, May 31, 2012 | Sheet | 4 of 4 |