



# Power Units & Parts for Surface-Mount Lifts

Automotive Shop Equipment | Auto Lift Repair Parts

**Extensive Selection of Power Units & Repair Parts for Surface-Mount Auto Lifts**



Featuring **SPX** Brand Power Units

Formerly Known as Fenner Fluid Power and Fenner Stone

*Low-Cost Import Power Units also available.*

**SVI International, Inc.**

155 Harvestore Drive • DeKalb, IL 60115

**800-321-8173**

**815-748-0200**

[www.sviinternational.com](http://www.sviinternational.com)



BALTIMORE • CHICAGO • LOS ANGELES

# Table of Contents

Power Unit Selection .....3–12

Commonly Requested  
Switches and Parts..... 13–14

Parts for Applied Hydraulics Power Units ..... 15

Parts for Duro Power Units..... 15

Parts for Fenner / SPX Power Units ..... 16–21

Parts for Global Hydraulics Power Units ..... 22

Parts for Barnes Power Units ..... 23–24

Parts for MTE Power Units ..... 25–26

Parts for Monarch Power Units..... 27

Parts for Webster Power Units ..... 28

Parts for Vibo Import Power Units ..... 29

## Power units *The choice is yours...*

ASIDE FROM A COMPLETE LINE OF POWER UNITS AND POWER UNIT REPAIR PARTS, SVI OFFERS A HUGE SELECTION OF PRODUCTS FOR THE SHOP.

- Air Compressor Parts and Filters
- Auto Lift Parts for Any Brand
- Auto Lift Cables and Chain
- Auto Lift Sheaves / Pulleys and Chain Rollers
- Brake Lathe Repair Parts
- Exhaust System Products
- Fluid Delivery Repair Parts
- Hose Reels and Hose Stops
- In-Ground Auto Lifts
- Lubrication Equipment Repair Parts
- Petroleum / Service Station Pump and Tank Products
- Repair Parts for Gasboy Consumer Series
- SESM Lifts for ATV/UTV, Golf Cart and More!
- Tire Changer Repair Parts
- Transfer Pumps
- Turf Attachments for 2-Post Lifts
- Vehicle Lifting Systems
- Wheel Balancer Accessories

*The #1 Source for Auto Lift Power Units!*

**BH-7006A Series - Single Phase  
SPX Stone Power Unit**



**SPX STONE**™ SPX Stone power units are a compact hydraulic power source utilizing an electric motor with the capability to generate high pressure ratings. The units are built specially for SVI and the industry it serves to provide a wide range of customer-specified pressure relief valve settings. The ability to properly select the required pressure relief allows industry professionals to confidently match the right power unit to the application. SVI performs this service routinely every day to ensure power units are shipped on a same-day basis with the correct pressure relief setting required for the job.

**208-230 VAC, 2HP, 1PH, 3450 RPM Motor  
4.0 Gallon Reservoir**

- **Frame:** 56 FR
- **Max Amps:** 230 VAC 18
- **Pump:** 2.3 GPM @ 2200 PSI\*
- **Maximum Run Time:** 75 Seconds
- **Pressure / Return Port Size:** 9/16" SAE
- **Auxiliary Return Port:** 3/8" NPT

Part #	SPX / Stone #	Pressure Relief Valve (psi/bar)	Motor	Pump	Easy Adaptation Kit
BH-7006A-13	AB-1488	1885 psi / 130 bar	208-230 VAC, 2HP, 1PH, 3450 RPM	2.5CC/Rev	Optional BH-7000-00
BH-7006A-14	AB-1488	2030 psi / 140 bar	208-230 VAC, 2HP, 1PH, 3450 RPM	2.5CC/Rev	Optional BH-7000-00
BH-7006A-15	AB-1488	2175 psi / 150 bar	208-230 VAC, 2HP, 1PH, 3450 RPM	2.5CC/Rev	Optional BH-7000-00
BH-7006A-16	AB-1488	2320 psi / 160 bar	208-230 VAC, 2HP, 1PH, 3450 RPM	2.5CC/Rev	Optional BH-7000-00
BH-7006A-17	AB-1488	2465 psi / 170 bar	208-230 VAC, 2HP, 1PH, 3450 RPM	2.5CC/Rev	Optional BH-7000-00
BH-7006A-18	AB-1488	2610 psi / 180 bar	208-230 VAC, 2HP, 1PH, 3450 RPM	2.5CC/Rev	Optional BH-7000-00
BH-7006A-19	AB-1488	2755 psi / 190 bar	208-230 VAC, 2HP, 1PH, 3450 RPM	2.5CC/Rev	Optional BH-7000-00
BH-7006A-20	AB-1488	2900 psi / 200 bar	208-230 VAC, 2HP, 1PH, 3450 RPM	2.5CC/Rev	Optional BH-7000-00
BH-7006A-21	AB-1488	3045 psi / 210 bar	208-230 VAC, 2HP, 1PH, 3450 RPM	2.5CC/Rev	Optional BH-7000-00
BH-7006-01-22	AB-1488	3190 psi / 220 bar	208-230 VAC, 2HP, 1PH, 3450 RPM	1.6CC/Rev	Optional BH-7000-00
BH-7006-01-23	AB-1488	3335 psi / 230 bar	208-230 VAC, 2HP, 1PH, 3450 RPM	1.6CC/Rev	Optional BH-7000-00
BH-7006-01-24	AB-1488	3480 psi / 240 bar	208-230 VAC, 2HP, 1PH, 3450 RPM	1.6CC/Rev	Optional BH-7000-00
BH-7006-01-25	AB-1488	3625 psi / 250 bar	208-230 VAC, 2HP, 1PH, 3450 RPM	1.6CC/Rev	Optional BH-7000-00
BH-7006-01-26	AB-1488	3770 psi / 260 bar	208-230 VAC, 2HP, 1PH, 3450 RPM	1.6CC/Rev	Optional BH-7000-00



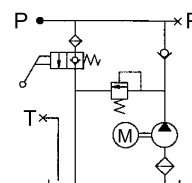
**OPTIONAL EASY ADAPTATION KIT**  
Order: BH-7000-00

**CONTENTS**

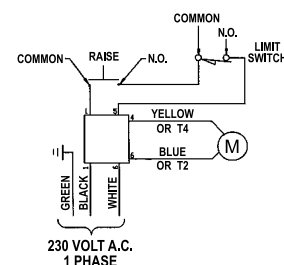
- (1) BH-7000-02 36" Long Hose, 1/4" Hose, 3000 psi, -6 Male End and -6 Swivel Female End
- (1) BH-7000-06 Male 90° Elbow, -6 JIC to -SAE Straight Thread, Zinc Plated Steel
- (1) BH-7000-07 Swivel Nut Branch Tee, -6 Male to -6 Male to -6 Female Swivel Out, Zinc Plated Steel
- (1) BH-7000-08 8" Long, 1/4" Hose, 3000 psi, -6 Male End and -6 Swivel Female End
- (1) BH-7000-09A 24" Cable Tie, 0.36" Wide

\* BH-7006-01-22/26 1.5 GPM @ 3190 to 3770 PSI

**HYDRAULIC CIRCUIT**



**ELECTRIC CIRCUIT**





The #1 Source for Auto Lift Power Units!

**BH-7006-01 Series - Single Phase  
SPX Stone Power Unit**



**SPX STONE** SPX Stone power units are a compact hydraulic power source utilizing an electric motor with the capability to generate high pressure ratings. The units are built specially for SVI and the industry it serves to provide a wide range of customer-specified pressure relief valve settings. The ability to properly select the required pressure relief allows industry professionals to confidently match the right power unit to the application. SVI performs this service routinely every day to ensure power units are shipped on a same-day basis with the correct pressure relief setting required for the job.

**208-230 VAC, 2HP, 1PH, 3450 RPM Motor  
4.0 Gallon Reservoir**

- **Frame:** 56 FR
- **Max Amps:** 230 VAC 18
- **Pump:** 2.3 GPM@2200 PSI\*
- **Maximum Run Time:** 75 Seconds
- **Pressure / Return Port Size:** 9/16" SAE
- **Auxiliary Return Port:** 3/8" NPT

Part #	SPX / Stone #	Pressure Relief Valve (psi/bar)	Motor	Pump	Easy Adaptation Kit
BH-7006-01-13	AB-1488	1885 psi / 130 bar	208-230 VAC, 2HP, 1PH, 3450 RPM	2.5CC/Rev	Included BH-7000-00
BH-7006-01-14	AB-1488	2030 psi / 140 bar	208-230 VAC, 2HP, 1PH, 3450 RPM	2.5CC/Rev	Included BH-7000-00
BH-7006-01-15	AB-1488	2175 psi / 150 bar	208-230 VAC, 2HP, 1PH, 3450 RPM	2.5CC/Rev	Included BH-7000-00
BH-7006-01-16	AB-1488	2320 psi / 160 bar	208-230 VAC, 2HP, 1PH, 3450 RPM	2.5CC/Rev	Included BH-7000-00
BH-7006-01-17	AB-1488	2465 psi / 170 bar	208-230 VAC, 2HP, 1PH, 3450 RPM	2.5CC/Rev	Included BH-7000-00
BH-7006-01-18	AB-1488	2610 psi / 180 bar	208-230 VAC, 2HP, 1PH, 3450 RPM	2.5CC/Rev	Included BH-7000-00
BH-7006-01-19	AB-1488	2755 psi / 190 bar	208-230 VAC, 2HP, 1PH, 3450 RPM	2.5CC/Rev	Included BH-7000-00
BH-7006-01-20	AB-1488	2900 psi / 200 bar	208-230 VAC, 2HP, 1PH, 3450 RPM	2.5CC/Rev	Included BH-7000-00
BH-7006-01-21	AB-1488	3045 psi / 210 bar	208-230 VAC, 2HP, 1PH, 3450 RPM	2.5CC/Rev	Included BH-7000-00
BH-7006-01-22	AB-1488	3190 psi / 220 bar	208-230 VAC, 2HP, 1PH, 3450 RPM	1.6CC/Rev	Optional BH-7000-00
BH-7006-01-23	AB-1488	3335 psi / 230 bar	208-230 VAC, 2HP, 1PH, 3450 RPM	1.6CC/Rev	Optional BH-7000-00
BH-7006-01-24	AB-1488	3480 psi / 240 bar	208-230 VAC, 2HP, 1PH, 3450 RPM	1.6CC/Rev	Optional BH-7000-00
BH-7006-01-25	AB-1488	3625 psi / 250 bar	208-230 VAC, 2HP, 1PH, 3450 RPM	1.6CC/Rev	Optional BH-7000-00
BH-7006-01-26	AB-1488	3770 psi / 260 bar	208-230 VAC, 2HP, 1PH, 3450 RPM	1.6CC/Rev	Optional BH-7000-00

**EASY ADAPTATION KIT • BH-7000-00**

**Included with:** BH-7006-01-13 thru -21

**Optional for:** BH-7006-01-22 thru -26

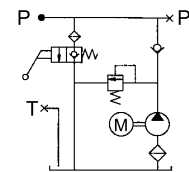
**CONTENTS**

- (1) BH-7000-02 36" Long Hose, 1/4" Hose, 3000 psi, -6 Male End and -6 Swivel Female End
- (1) BH-7000-06 Male 90° Elbow, -6 JIC to -SAE Straight Thread, Zinc Plated Steel
- (1) BH-7000-07 Swivel Nut Branch Tee, -6 Male to -6 Male to -6 Female Swivel Out, Zinc Plated Steel
- (1) BH-7000-08 8" Long, 1/4" Hose, 3000 psi, -6 Male End and -6 Swivel Female End
- (1) BH-7000-09A 24" Cable Tie, 0.36" Wide

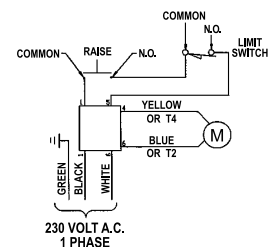


\* BH-7006-01-22/26 1.5 GPM@3190 to 3770 PSI

**HYDRAULIC CIRCUIT**



**ELECTRIC CIRCUIT**





The #1 Source for Auto Lift Power Units!

**BH-7006-01LS Series - Single Phase SPX Stone Power Unit**



**LS Series • Power Unit with Limit Switch**

**SPX STONE** SPX Stone power units are a compact hydraulic power source utilizing an electric motor with the capability to generate high pressure ratings. The units are built specially for SVI and the industry it serves to provide a wide range of customer-specified pressure relief valve settings. The ability to properly select the required pressure relief allows industry professionals to confidently match the right power unit to the application. SVI performs this service routinely every day to ensure power units are shipped on a same-day basis with the correct pressure relief setting required for the job.

The Overhead Limit Switch Release is connected to a cable that goes up to the overhead and across. The switch housing is installed at the top of the push-to-raise housing on the power unit and below the limit switch release is another micro switch wired in concert with the push-to-raise micro switch. When a vehicle hits the overhead limit bar the cable is pulled up moving the switch housing plunger up and off the second micro switch pushbutton which opens the circuit and causes the lift to shut down, stopping its upward movement.

**208-230 VAC, 2HP, 1PH, 3450 RPM Motor  
4.0 Gallon Reservoir**

- Frame: 56 FR
- Max Amps: 230 VAC 18
- Pump: 2.3 GPM@2200 PSI
- Maximum Run Time: 75 Seconds
- Pressure / Return Port Size: 9/16" SAE
- Auxiliary Return Port: 3/8" NPT



Part #	SPX / Stone #	Pressure Relief Valve (psi/bar)	Motor	Pump	Easy Adaptation Kit
BH-7006-01LS-13	AB-1270	1885 psi / 130 bar	208-230 VAC, 2HP, 1PH, 3450 RPM	2.5CC/Rev	Optional BH-7000-00
BH-7006-01LS-14	AB-1270	2030 psi / 140 bar	208-230 VAC, 2HP, 1PH, 3450 RPM	2.5CC/Rev	Optional BH-7000-00
BH-7006-01LS-15	AB-1270	2175 psi / 150 bar	208-230 VAC, 2HP, 1PH, 3450 RPM	2.5CC/Rev	Optional BH-7000-00
BH-7006-01LS-16	AB-1270	2320 psi / 160 bar	208-230 VAC, 2HP, 1PH, 3450 RPM	2.5CC/Rev	Optional BH-7000-00
BH-7006-01LS-17	AB-1270	2465 psi / 170 bar	208-230 VAC, 2HP, 1PH, 3450 RPM	2.5CC/Rev	Optional BH-7000-00
BH-7006-01LS-18	AB-1270	2610 psi / 180 bar	208-230 VAC, 2HP, 1PH, 3450 RPM	2.5CC/Rev	Optional BH-7000-00
BH-7006-01LS-19	AB-1270	2755 psi / 190 bar	208-230 VAC, 2HP, 1PH, 3450 RPM	2.5CC/Rev	Optional BH-7000-00
BH-7006-01LS-20	AB-1270	2900 psi / 200 bar	208-230 VAC, 2HP, 1PH, 3450 RPM	2.5CC/Rev	Optional BH-7000-00
BH-7006-01LS-21	AB-1270	3045 psi / 210bar	208-230 VAC, 2HP, 1PH, 3450 RPM	2.5CC/Rev	Optional BH-7000-00

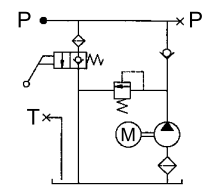


**OPTIONAL EASY ADAPTATION KIT**  
Order: BH-7000-00

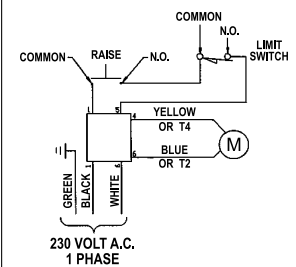
**CONTENTS**

- (1) BH-7000-02 36" Long Hose, 1/4" Hose, 3000 psi, -6 Male End and -6 Swivel Female End
- (1) BH-7000-06 Male 90° Elbow, -6 JIC to -SAE Straight Thread, Zinc Plated Steel
- (1) BH-7000-07 Swivel Nut Branch Tee, -6 Male to -6 Male to -6 Female Swivel Out, Zinc Plated Steel
- (1) BH-7000-08 8" Long, 1/4" Hose, 3000 psi, -6 Male End and -6 Swivel Female End
- (1) BH-7000-09A 24" Cable Tie, 0.36" Wide

**HYDRAULIC CIRCUIT**



**ELECTRIC CIRCUIT**





The #1 Source for Auto Lift Power Units!

**BH-7006-03 Series - Three Phase  
SPX Stone Power Unit**



**SPX STONE** SPX Stone power units are a compact hydraulic power source utilizing an electric motor with the capability to generate high pressure ratings. The units are built specially for SVI and the industry it serves to provide a wide range of customer-specified pressure relief valve settings. The ability to properly select the required pressure relief allows industry professionals to confidently match the right power unit to the application. SVI performs this service routinely every day to ensure power units are shipped on a same-day basis with the correct pressure relief setting required for the job.

**208-230/460 VAC, 2HP, 3PH, 3450 RPM T.E.F.C. Motor  
4.0 Gallon Reservoir**

**Frame:** 56 FR  
**Max Amps:** 460 VAC 10.5  
**Pump:** 1.7 GPM@2450 PSI

**Maximum Run Time:** 75 Seconds  
(Exception: 55 Seconds for BH-7006-03-21)  
**Pressure / Return Port Size:** 9/16" SAE  
**Auxiliary Return Port:** 3/8" NPT

Part #	SPX / Stone #	Pressure Relief Valve (psi/bar)	Motor	Pump	Easy Adaptation Kit
BH-7006-03-13	AD-1234	1885 psi / 130 bar	208-230/460 VAC, 2HP, 3PH, 3450 RPM	2.0CC/Rev	Optional BH-7000-00
BH-7006-03-14	AD-1234	2030 psi / 140 bar	208-230/460 VAC, 2HP, 3PH, 3450 RPM	2.0CC/Rev	Optional BH-7000-00
BH-7006-03-15	AD-1234	2175 psi / 150 bar	208-230/460 VAC, 2HP, 3PH, 3450 RPM	2.0CC/Rev	Optional BH-7000-00
BH-7006-03-16	AD-1234	2320 psi / 160 bar	208-230/460 VAC, 2HP, 3PH, 3450 RPM	2.0CC/Rev	Optional BH-7000-00
BH-7006-03-17	AD-1234	2465 psi / 170 bar	208-230/460 VAC, 2HP, 3PH, 3450 RPM	2.0CC/Rev	Optional BH-7000-00
BH-7006-03-18	AD-1234	2610 psi / 180 bar	208-230/460 VAC, 2HP, 3PH, 3450 RPM	2.0CC/Rev	Optional BH-7000-00
BH-7006-03-19	AD-1234	2755 psi / 190 bar	208-230/460 VAC, 2HP, 3PH, 3450 RPM	2.0CC/Rev	Optional BH-7000-00
BH-7006-03-20	AD-1234	2900 psi / 200 bar	208-230/460 VAC, 2HP, 3PH, 3450 RPM	2.0CC/Rev	Optional BH-7000-00
BH-7006-03-21	AD-1234	3045 psi / 210 bar	208-230/460 VAC, 2HP, 3PH, 3450 RPM	2.0CC/Rev	Optional BH-7000-00

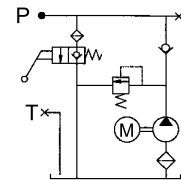


**OPTIONAL EASY ADAPTATION KIT**  
Order: BH-7000-00

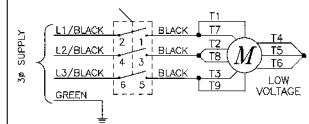
**CONTENTS**

- (1) BH-7000-02 36" Long Hose, 1/4" Hose, 3000 psi, -6 Male End and -6 Swivel Female End
- (1) BH-7000-06 Male 90° Elbow, -6 JIC to -SAE Straight Thread, Zinc Plated Steel
- (1) BH-7000-07 Swivel Nut Branch Tee, -6 Male to -6 Male to -6 Female Swivel Out, Zinc Plated Steel
- (1) BH-7000-08 8" Long, 1/4" Hose, 3000 psi, -6 Male End and -6 Swivel Female End
- (1) BH-7000-09A 24" Cable Tie, 0.36" Wide

**HYDRAULIC CIRCUIT**



**ELECTRIC CIRCUIT**





The #1 Source for Auto Lift Power Units!

**BH-7006-05 Series - Single Phase  
SPX Stone Power Unit**



**SPX STONE™** SPX Stone power units are a compact hydraulic power source utilizing an electric motor with the capability to generate high pressure ratings. The units are built specially for SVI and the industry it serves to provide a wide range of customer-specified pressure relief valve settings. The ability to properly select the required pressure relief allows industry professionals to confidently match the right power unit to the application. SVI performs this service routinely every day to ensure power units are shipped on a same-day basis with the correct pressure relief setting required for the job.

**208-230 VAC, 2HP, 1PH, 3450 RPM Motor  
6.3 Gallon Reservoir**

Frame: 56 FR  
Max Amps: 230 VAC 19  
Pump: 1.7 GPM@2450 PSI

Maximum Run Time: 75 Seconds  
Pressure / Return Port Size: 9/16" SAE  
Auxiliary Return Port: 3/8" NPT

Part #	SPX / Stone #	Pressure Relief Valve (psi/bar)	Motor	Pump	Easy Adaptation Kit
BH-7006-05-13	AB-1545	1885 psi / 140 bar	208-230 VAC, 2HP, 1PH, 3450 RPM	2.0CC/Rev	Optional BH-7000-00
BH-7006-05-14	AB-1545	2030 psi / 140 bar	208-230 VAC, 2HP, 1PH, 3450 RPM	2.0CC/Rev	Optional BH-7000-00
BH-7006-05-15	AB-1545	2175 psi / 150 bar	208-230 VAC, 2HP, 1PH, 3450 RPM	2.0CC/Rev	Optional BH-7000-00
BH-7006-05-16	AB-1545	2320 psi / 160 bar	208-230 VAC, 2HP, 1PH, 3450 RPM	2.0CC/Rev	Optional BH-7000-00
BH-7006-05-17	AB-1545	2465 psi / 170 bar	208-230 VAC, 2HP, 1PH, 3450 RPM	2.0CC/Rev	Optional BH-7000-00
BH-7006-05-18	AB-1545	2610 psi / 180 bar	208-230 VAC, 2HP, 1PH, 3450 RPM	2.0CC/Rev	Optional BH-7000-00
BH-7006-05-19	AB-1545	2755 psi / 190 bar	208-230 VAC, 2HP, 1PH, 3450 RPM	2.0CC/Rev	Optional BH-7000-00
BH-7006-05-20	AB-1545	2900 psi / 200 bar	208-230 VAC, 2HP, 1PH, 3450 RPM	2.0CC/Rev	Optional BH-7000-00
BH-7006-05-21	AB-1545	3045 psi / 210 bar	208-230 VAC, 2HP, 1PH, 3450 RPM	2.0CC/Rev	Optional BH-7000-00

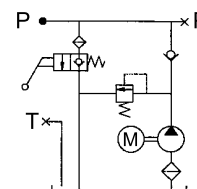


**OPTIONAL EASY ADAPTATION KIT**  
Order: BH-7000-00

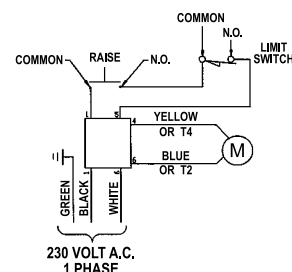
**CONTENTS**

- (1) BH-7000-02 36" Long Hose, 1/4" Hose, 3000 psi, -6 Male End and -6 Swivel Female End
- (1) BH-7000-06 Male 90° Elbow, -6 JIC to -SAE Straight Thread, Zinc Plated Steel
- (1) BH-7000-07 Swivel Nut Branch Tee, -6 Male to -6 Male to -6 Female Swivel Out, Zinc Plated Steel
- (1) BH-7000-08 8" Long, 1/4" Hose, 3000 psi, -6 Male End and -6 Swivel Female End
- (1) BH-7000-09A 24" Cable Tie, 0.36" Wide

**HYDRAULIC CIRCUIT**



**ELECTRIC CIRCUIT**





BH-7006-08  
Pictured

The #1 Source for Auto Lift Power Units!

**BH-7006-08 / BH-7007-03 Series**  
**Single Phase • SPX Stone Power Unit**



**SPX STONE** SPX Stone power units are a compact hydraulic power source utilizing an electric motor with the capability to generate high pressure ratings. The units are built specially for SVI and the industry it serves to provide a wide range of customer-specified pressure relief valve settings. The ability to properly select the required pressure relief allows industry professionals to confidently match the right power unit to the application. SVI performs this service routinely every day to ensure power units are shipped on a same-day basis with the correct pressure relief setting required for the job.

**BH-7006-08 Series**

**115/230 VAC, 1HP, 1PH, 3450 RPM Motor • 4.0 Gallon Reservoir**

Frame: 56 FR  
Max Amps: 115/230 VAC 13/6.5  
Pump: 1.2 GPM@2200 PSI

Maximum Run Time: 75 Seconds  
Pressure / Return Port Size: 9/16" SAE  
Auxiliary Return Port: 3/8" NPT

**BH-7006-08**  
**LESS PLUG**

**BH-7007-03 Series**

**115/230 VAC, 1HP, 1PH, 3450 RPM Motor • 4.0 Gallon Reservoir**

Frame: 56 FR  
Max Amps: 115 VAC 19  
Pump: 0.79 GPM@2200 PSI

Maximum Run Time: 75 Seconds  
Pressure / Return Port Size: 9/16" SAE  
Auxiliary Return Port: 3/8" NPT

**BH-7007-03**  
**WITH 110V PLUG**

Part #	SPX / Stone #	Pressure Relief Valve (psi/bar)	Motor	Pump	Easy Adaptation Kit
BH-7006-08-14	AB-1588	2030 psi / 140 bar	115/230 VAC, 1HP, 1PH, 3450 RPM, 110 Volt	1.6CC/Rev	Optional BH-7000-00
BH-7006-08-15	AB-1588	2175 psi / 150 bar	115/230 VAC, 1HP, 1PH, 3450 RPM, 110 Volt	1.6CC/Rev	Optional BH-7000-00
BH-7006-08-16	AB-1588	2320 psi / 160 bar	115/230 VAC, 1HP, 1PH, 3450 RPM, 110 Volt	1.6CC/Rev	Optional BH-7000-00
BH-7006-08-17	AB-1588	2465 psi / 170 bar	115/230 VAC, 1HP, 1PH, 3450 RPM, 110 Volt	1.6CC/Rev	Optional BH-7000-00
BH-7006-08-18	AB-1588	2610 psi / 180 bar	115/230 VAC, 1HP, 1PH, 3450 RPM, 110 Volt	1.6CC/Rev	Optional BH-7000-00
BH-7007-03-14	AB-1396	2030 psi / 140 bar	115/230 VAC, 1HP, 1PH, 3450 RPM, 110 Volt	1.0CC/Rev	Optional BH-7000-00
BH-7007-03-15	AB-1396	2175 psi / 150 bar	115/230 VAC, 1HP, 1PH, 3450 RPM, 110 Volt	1.0CC/Rev	Optional BH-7000-00
BH-7007-03-16	AB-1396	2320 psi / 160 bar	115/230 VAC, 1HP, 1PH, 3450 RPM, 110 Volt	1.0CC/Rev	Optional BH-7000-00
BH-7007-03-17	AB-1396	2465 psi / 170 bar	115/230 VAC, 1HP, 1PH, 3450 RPM, 110 Volt	1.0CC/Rev	Optional BH-7000-00
BH-7007-03-18	AB-1396	2610 psi / 180 bar	115/230 VAC, 1HP, 1PH, 3450 RPM, 110 Volt	1.0CC/Rev	Optional BH-7000-00

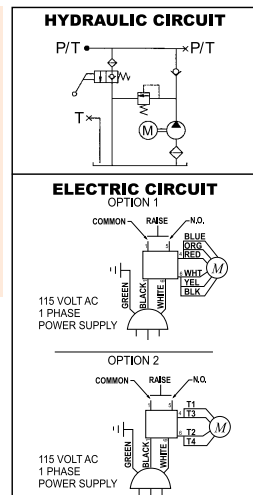


**OPTIONAL EASY ADAPTATION KIT**

Order: BH-7000-00

**CONTENTS**

- (1) BH-7000-02 36" Long Hose, 1/4" Hose, 3000 psi, -6 Male End and -6 Swivel Female End
- (1) BH-7000-06 Male 90° Elbow, -6 JIC to -SAE Straight Thread, Zinc Plated Steel
- (1) BH-7000-07 Swivel Nut Branch Tee, -6 Male to -6 Male to -6 Female Swivel Out, Zinc Plated Steel
- (1) BH-7000-08 8" Long, 1/4" Hose, 3000 psi, -6 Male End and -6 Swivel Female End
- (1) BH-7000-09A 24" Cable Tie, 0.36" Wide







The #1 Source for Auto Lift Power Units!

**BH-7007-01 Series - Single Phase SPX Stone Power Unit**



**SPX STONE™** SPX Stone power units are a compact hydraulic power source utilizing an electric motor with the capability to generate high pressure ratings. The units are built specially for SVI and the industry it serves to provide a wide range of customer-specified pressure relief valve settings. The ability to properly select the required pressure relief allows industry professionals to confidently match the right power unit to the application. SVI performs this service routinely every day to ensure power units are shipped on a same-day basis with the correct pressure relief setting required for the job.

Horizontal or Vertical Mount

**115/230 VAC, 3/4HP, 1PH, 3450 RPM Motor  
6.5 Quart Reservoir**

Frame: 56 FR  
 Max Amps: 115/230 VAC 15/7.5  
 Pump: 0.6 GPM@2000 PSI  
 Maximum Run Time: 75 Seconds  
 Pressure / Return Port Size: 9/16" SAE  
 Auxiliary Return Port: 3/8" NPT

Part #	SPX / Stone #	Pressure Relief Valve (psi/bar)	Motor	Pump	Easy Adaptation Kit
BH-7007-01-14	AC-10TC	2030 psi / 140 bar	115/230 VAC, 3/4HP, 1PH, 3450 RPM, 110 Volt	0.8CC/Rev	Optional BH-7000-00
BH-7007-01-15	AC-10TC	2175 psi / 150 bar	115/230 VAC, 3/4HP, 1PH, 3450 RPM, 110 Volt	0.8CC/Rev	Optional BH-7000-00
BH-7007-01-16	AC-10TC	2320 psi / 160 bar	115/230 VAC, 3/4HP, 1PH, 3450 RPM, 110 Volt	0.8CC/Rev	Optional BH-7000-00



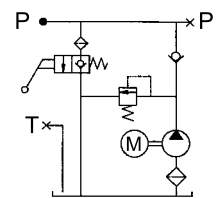
**OPTIONAL EASY ADAPTATION KIT**

Order: BH-7000-00

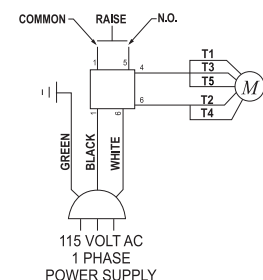
**CONTENTS**

- (1) BH-7000-02 36" Long Hose, 1/4" Hose, 3000 psi, -6 Male End and -6 Swivel Female End
- (1) BH-7000-06 Male 90° Elbow, -6 JIC to -SAE Straight Thread, Zinc Plated Steel
- (1) BH-7000-07 Swivel Nut Branch Tee, -6 Male to -6 Male to -6 Female Swivel Out, Zinc Plated Steel
- (1) BH-7000-08 8" Long, 1/4" Hose, 3000 psi, -6 Male End and -6 Swivel Female End
- (1) BH-7000-09A 24" Cable Tie, 0.36" Wide

**HYDRAULIC CIRCUIT**



**ELECTRIC CIRCUIT**





## The #1 Source for Auto Lift Power Units!

### BH-7003-01 Series - Single Phase Import VIBO Power Unit



Alternative to SVI's BH-7006A-18 Power Unit

**VIBO** VIBO is a leading offshore enterprise specializing in the research, development and manufacture of hydraulic power units. The shop utilizes state of the art equipment and high grade materials to produce a full line of products including those featured by SVI.

Their professional design team provides hydraulic solutions for the customers it serves, including specialized solutions for custom applications.

VIBO operates with a "Win-Win Development" commitment to provide SVI with excellent service in terms of price, product quality and technical support. Valuing a relationship and the mutual benefit of cooperation with SVI, VIBO is leading the industry as an excellent brand when value pricing with an eye on quality is a top priority.

VIBO—Value / Innovation / Belief / Obligation

#### 220 VAC, 3HP, 1PH, 3360 RPM Motor 2.9 Gallon Reservoir

**Frame:** 56 FR  
**Max Amps:** 220 VAC 12  
**Pump:** 1.8 GPM@2200 PSI

**Maximum Run Time:** 75 Seconds  
**Pressure / Return Port Size:** 9/16" SAE  
Features a pressure / return port on both sides of the manifold.  
Use one or the other for ease in installation.

Part #	Pressure Relief Valve (psi/bar)	Motor	Pump	Easy Adaptation Kit
BH-7003-01	2610 psi / 180 bar	220 VAC, 3HP, 1PH, 3360 RPM	2.0CC/Rev	Optional BH-7000-00

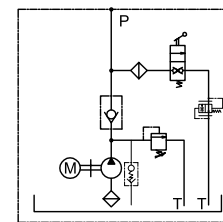


#### OPTIONAL EASY ADAPTATION KIT Order: BH-7000-00

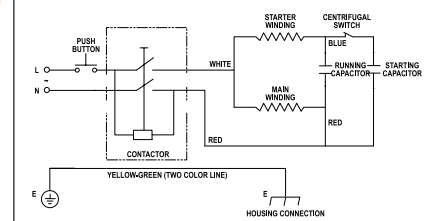
**CONTENTS**

- (1) BH-7000-02 36" Long Hose, 1/4" Hose, 3000 psi, -6 Male End and -6 Swivel Female End
- (1) BH-7000-06 Male 90° Elbow, -6 JIC to -SAE Straight Thread, Zinc Plated Steel
- (1) BH-7000-07 Swivel Nut Branch Tee, -6 Male to -6 Male to -6 Female Swivel Out, Zinc Plated Steel
- (1) BH-7000-08 8" Long, 1/4" Hose, 3000 psi, -6 Male End and -6 Swivel Female End
- (1) BH-7000-09A 24" Cable Tie, 0.36" Wide

#### HYDRAULIC CIRCUIT



#### ELECTRICAL CIRCUIT



SVI—Service • Value • Innovation







# Commonly Requested Switches and Parts

**DIRECTFIT™**

Don't see what you need? Call SVI: 800-321-8173

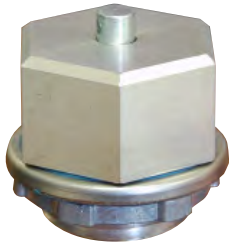
 <p><b>BH-7004-19</b> (Ref 1258-AA, Many) Switch Push to Raise <b>Kit: BH-7004-19K</b> (includes Boot)</p>	<p>BH-7503-65 Housing (right) Sold Separately</p>   <p><b>BH-7503-65S</b> (Ref 1258-AA) Raise Switch with Green Button</p>	 <p><b>BH-7000-81</b> (Ref 5525130) Double Pole 6-Prong Switch (1)</p>	 <p><b>BH-7004-36</b> (Ref 4611-AA, Many) Small Microswitch (New Style)</p>																								
 <p><b>BH-7010-02</b> Switch for Applied Hydraulics Power Unit</p>	 <p><b>BH-7010-05</b> Power Unit Switch 6-Terminal</p>	 <p><b>BH-7010-06</b> Power Unit Switch 4-Terminal</p>	 <p><b>BH-7010-07</b> Power Unit Switch 3-Terminal</p>																								
 <p><b>BH-7215-01</b> (Ref 205252, 80820730) Microswitch with Roller End</p>	 <p><b>BH-7006-55</b> (Ref 4193-AA) Up Switch (1)</p>	 <p><b>BH-7004-46</b> Microswitch / Pushbutton Assembly for Power Units</p> <table border="1"> <thead> <tr> <th>Item</th> <th>SVI Part #</th> <th>OEM Ref</th> <th>Description</th> </tr> </thead> <tbody> <tr> <td>--</td> <td>BH-7004-46</td> <td></td> <td>Microswitch / Push Button Assy.</td> </tr> <tr> <td>1</td> <td>BH-7006-31</td> <td>4212-AA</td> <td>Protective Boot</td> </tr> <tr> <td>2</td> <td>BH-7004-29</td> <td>4610-AA</td> <td>Start Switch Green Button</td> </tr> <tr> <td>3</td> <td>BH-7004-28</td> <td>4609-AA</td> <td>Plastic Nut</td> </tr> <tr> <td>4</td> <td>BH-7004-36</td> <td>N413-1</td> <td>Microswitch</td> </tr> </tbody> </table>		Item	SVI Part #	OEM Ref	Description	--	BH-7004-46		Microswitch / Push Button Assy.	1	BH-7006-31	4212-AA	Protective Boot	2	BH-7004-29	4610-AA	Start Switch Green Button	3	BH-7004-28	4609-AA	Plastic Nut	4	BH-7004-36	N413-1	Microswitch
Item	SVI Part #	OEM Ref	Description																								
--	BH-7004-46		Microswitch / Push Button Assy.																								
1	BH-7006-31	4212-AA	Protective Boot																								
2	BH-7004-29	4610-AA	Start Switch Green Button																								
3	BH-7004-28	4609-AA	Plastic Nut																								
4	BH-7004-36	N413-1	Microswitch																								
 <p><b>BH-7490-54</b> Limit Switch for Tuxedo TP11KAC</p>	 <p><b>BH-7239-45</b> (Ref 991404) Double Pole 6-Prong Switch (1) for Forward Lifts</p>																										



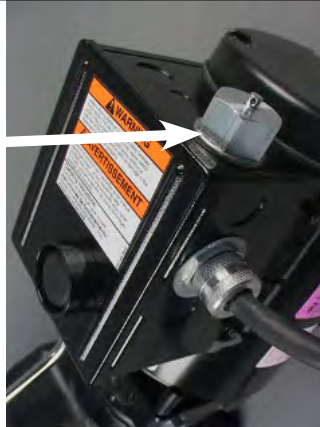
# Commonly Requested Switches and Parts

**DIRECTFIT™**

Don't see what you need? Call SVI: 800-321-8173



**BH-7006-47**  
Overhead Limit  
Switch Housing

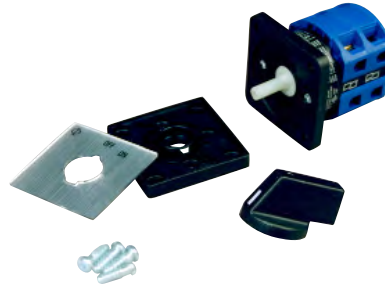


**BH-7004-42**  
(Ref 6-1185, W-138)  
3-Phase  
Turnstile Switch



**BH-7256-34** (Ref 65027)  
Overhead Limit Switch

**BH-7256-34A**  
Limit Switch Only



**BH-7004-25R**  
(Ref 1329-AA, W-35)  
3-Phase  
Turnstile Switch



**BH-7004-43**  
(Ref 4477-AB)  
3-Phase  
Turnstile  
Switch



**BH-7453-89**  
(Ref 85.23)  
Up Switch for  
Nussbaum  
3-7/8" x 3"



**BH-7538-95** (Ref P3000-2)  
Lowering Valve for Rotary



**BH-7543-66**  
(Ref P1164-2)  
Lowering Valve  
for Rotary



*SVI has the power units  
and parts you need!*

**Call today: 800-321-8173**



## Parts for Applied Hydraulics Power Units

**DIRECTFIT™**

Don't see what you need? Call SVI: 800-321-8173

<p><b>BH-7010-02</b> Switch for Applied Hydraulics Power Unit</p>	<p><b>BH-7010-04</b> (Ref 54580903) Check Valve</p>	<p><b>BH-7010-03</b> (OEM 54580917) Lowering Valve with Handle</p>	<p><b>BH-7010-03NH</b> (OEM 54580917x) Lowering Valve (No Handle)</p>

## Parts for DURO Power Units

Duro Power units are found on many brands of lifts including *Tuxedo, Eagle, Kernel, and many more!*



**3-Gallon Reservoir  
for DURO  
Power Unit**  
**BH-7490-49**

SVI Part #	Cross Ref #	Description
BH-7490-49	EAG KER PU DURO 03	3 Gallon Reservoir for Duro
BH-7488-40	PU-DURO-041	Capacitor for Duro Power Unit
BH-7488-44	PU-DURO-031	Lowering Valve for Duro Power Unit
BH-7490-50	EAG AKL DURO 05	Lowering Valve for Duro Power Unit

*Prevents Door  
Dings!*

**doorjammer PRO™**  
*Durable • Impact Resistant*

**Available in 2 Sizes!**

<b>BH-7077-02-2S</b>	12" tall x 18" wide
<b>BH-7077-02-2</b>	24" tall x 18" wide

**POWER STATION™  
AIR / ELECTRIC  
UTILITY BOX**

**BH-7070-K** For 2-Post Lifts  
**BH-7069-K** For 4-Post Lifts



# Parts for Fenner / SPX Power Units

**DIRECTFIT™**

Don't see what you need? Call SVI: 800-321-8173

## Replacement Reservoirs

Available from SVI—Call today!

**Call to order your reservoir today!  
Many available!**

For Fenner Power Units, call with your "AB number" to ensure correct reservoir.



**BH-7005-21**  
(Ref 260185)



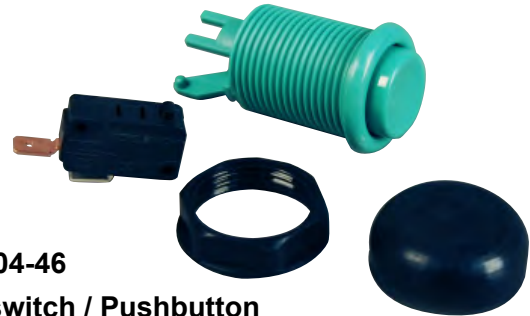
**BH-7004-14**  
(Ref 1214-AA)



**BH-7004-30**  
(Ref 8060-CC)



**BH-7006-27**  
(Ref 1283-AB)



**BH-7004-46**  
Microswitch / Pushbutton  
Assembly for Power Units

Individual Components Also Available



**BH-7004-45**  
(Ref 2002068)  
Capacitor



**BH-7239-603**  
(Ref 991468)  
Power Unit Start  
Switch Cover  
for Forward Lifts

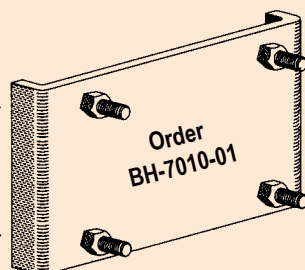
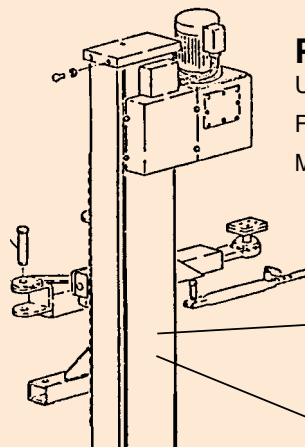
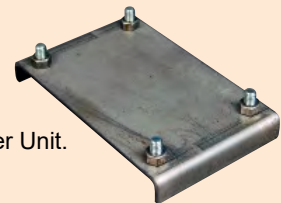
## Miscellaneous Items

### Power Unit Relocation Bracket - BH-7010-01

Use to replace old top of column mount power unit with new style Power Unit.

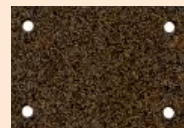
For 56 Frame Power Units such as SVI unit BH-7006-01.

May require hose or tubing extensions. Consult local hydraulic house or call SVI for help.



Supplied unfinished for ease of welding. You will need to grind paint or powder coat finish off column to install. Once welded refinish area with a close matching paint.

### BH-7011-10 Vibration Gasket



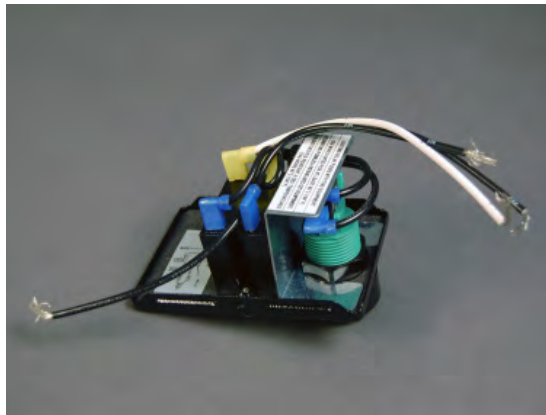




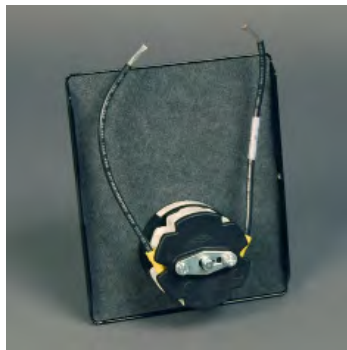
# Parts for Fenner / SPX Power Units

**DIRECTFIT™**

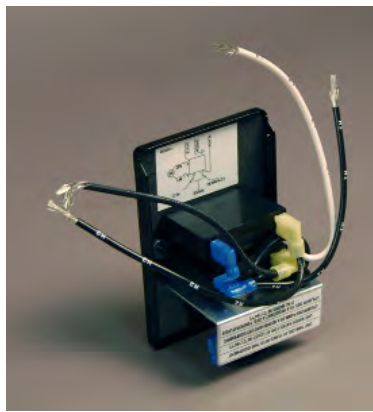
Don't see what you need? Call SVI: 800-321-8173



**BH-7006-30**  
(Ref W-200-230, 3000631)  
**Microswitch Wiring Assembly**



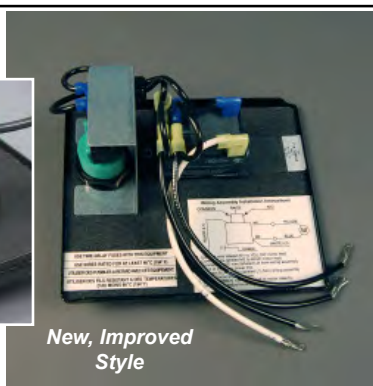
**BH-7004-44**  
(Ref W-435)  
**Wiring Assembly**



**BH-7006-33** (Ref W-200-115, 3000707)  
**Microswitch Wiring Assembly**



Old Style  
NLA



*New, Improved  
Style*

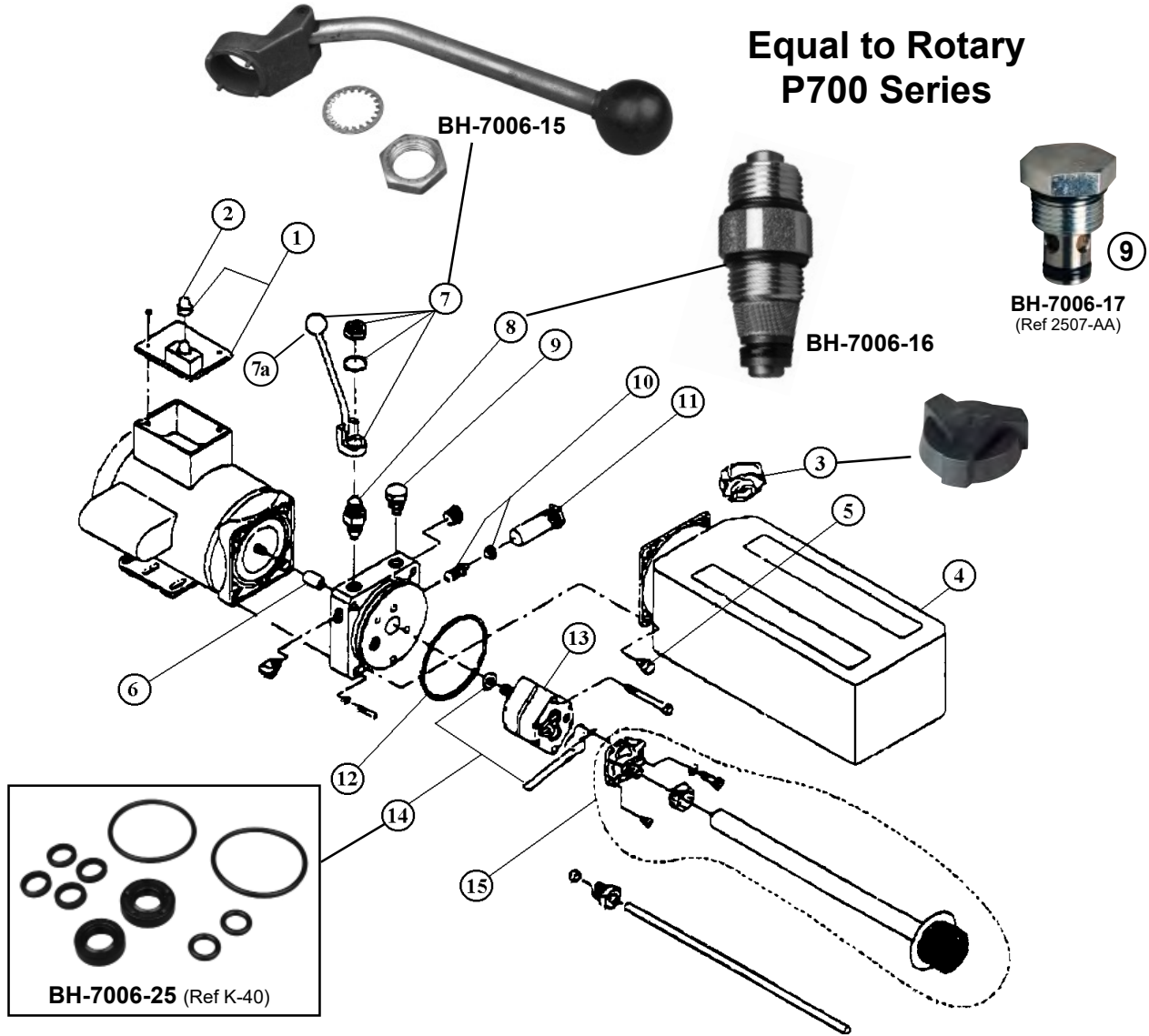
**BH-7006-51**  
(Ref W-401-230, 3000630)  
**Microswitch Wiring Assembly** New Style



# Parts for Fenner / SPX Power Units

**DIRECTFIT™**

Don't see what you need? Call SVI: 800-321-8173



P  
a  
g  
e  
18

Item	SVI Part #	OEM #	Req	Description
1	BH-7007-35	W-29	1	Microswitch Wiring Assembly
2	BH-7002-12	1277-AA	1	Microswitch Boot
3	BH-7004-30	8060-CC	1	Breather, Pop-on
4	<b>Must Provide AB# to order correct Reservoir</b>			
	BH-7006-40		1	Reservoir 3.5 Gal Plastic
	BH-7006-40K			or Reservoir Kit 3.5 Gal
5	BH-7007-44	3346-AA	4	Reservoir Screw
6	BH-7004-18	1118-AA	1	Coupling 1-1/4"
7	<b>BH-7006-15</b>	<b>K-100</b>	1	<b>Manual Release Assembly</b>
7a	BH-7006-15B	1266-AA	1	Handle Ball (only) (Included in BH-7006-15)
8	<b>BH-7006-16</b>	<b>VF-9021</b>	1	<b>Manual Release Valve</b>

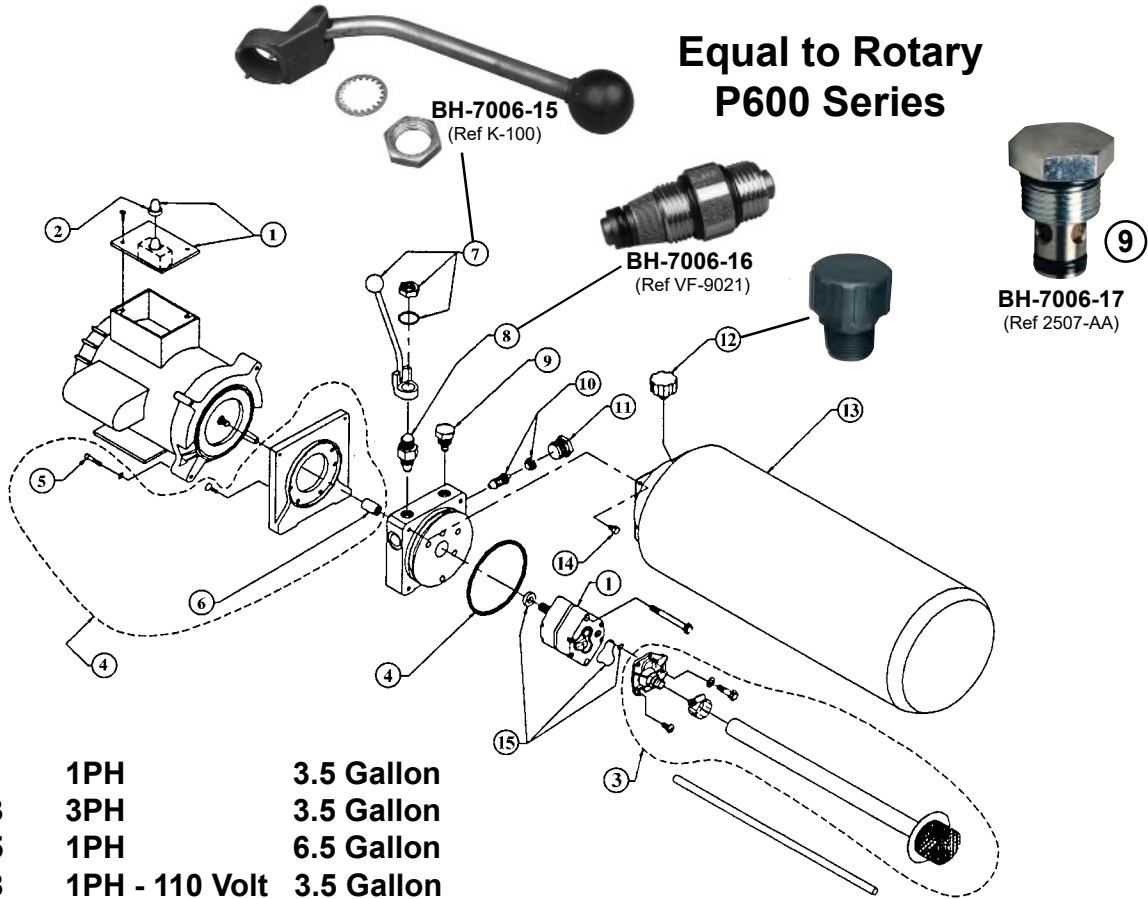
Item	SVI Part #	OEM #	Req	Description
--	BH-7006-16OR			O-Ring Kit for BH-7006-16
9	BH-7006-17	2507-AA	1	Check Valve Cartridge
10	Call now!		1	Fixed Relief Valve
	<b>Please Provide AB# to order correct Valve</b>			
11	BH-7007-39	3729-AA	1	Relief Valve Cap
	BH-7006-19	1600-BA	1	Relief Valve Cap
12	OB-70-348	G1-1073-48	1	Reservoir O-Ring
13	BH-7006-21	PS-2.5	1	Pump Assembly (KP25)
14	<b>BH-7006-25</b>	<b>K-40</b>	1	<b>Pump O-Ring Kit</b>
15	BH-7007-40	K-168	1	Inlet Plumbing Kit



# Parts for Fenner / SPX Power Units

**DIRECTFIT™**

Don't see what you need? Call SVI: 800-321-8173



**Equal to Rotary P600 Series**

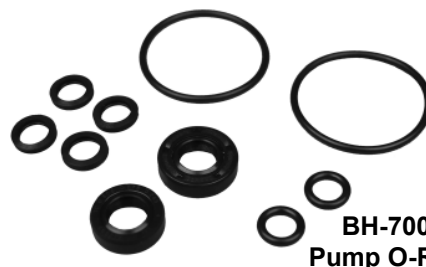
- BH-7006-01 1PH 3.5 Gallon**
- BH-7006-03 3PH 3.5 Gallon**
- BH-7006-05 1PH 6.5 Gallon**
- BH-7006-08 1PH - 110 Volt 3.5 Gallon**
- BH-7006-01LS 1PH 3.5 Gallon**  
(Has limit switch for overhead shut off)

Item	SVI Part #	OEM #	Req	Description
1	BH-7006-21	PS-2.5	1	Pump Assembly (BH-7006)
2	BH-7002-12	1277-AA	1	Microswitch Boot
3	BH-7006-23A	K-102	1	Inlet Plumbing Kit (BH-7006)
4	OB-70-348	G1-1073-48	1	Reservoir O-Ring
5	F-SC-0250-20-1625		4	1/4-20 x 1-5/8 SHCS
6	BH-7006-14	2181-BA	1	Coupling 1-3/4"
7	BH-7006-15	K-100	1	Manual Release Assembly
8	<b>BH-7006-16</b>	<b>VF-9021</b>	<b>1</b>	<b>Manual Release Valve</b>
--	<b>BH-7006-16OR</b>			<b>O-Ring Kit for BH-7006-16</b>
9	BH-7006-17	2507-AA	1	Valve Cartridge Check

Item	SVI Part #	OEM #	Req	Description
10	BH-7006-18	RV-16	1	Fixed Relief Valve
11	BH-7006-19	1600-BA	1	Relief Valve Cap
12	BH-7006-27	1683-AB	1	Breather
13	<b>Must Provide AB# to order correct Reservoir</b>			
	BH-7006-28R	KR-44	1	Reservoir 3.5 Gal Steel
	BH-7006-40K	KR-54	1	Reservoir 3.5 Gal Plastic Kit
14	BH-7006-29	F2-1170-31	4	Reservoir Screw
15	BH-7006-25	K-40	1	Pump O-Ring Kit



**BH-7006-16** (Pictured Far Left)  
(OEM ref VF-9021)  
**Manual Release Valve**  
~or~  
**BH-7006-16OR** (Pictured Left)  
**O-Ring Seals Only for Manual Release Valve**



**BH-7006-25**  
**Pump O-Ring Kit**

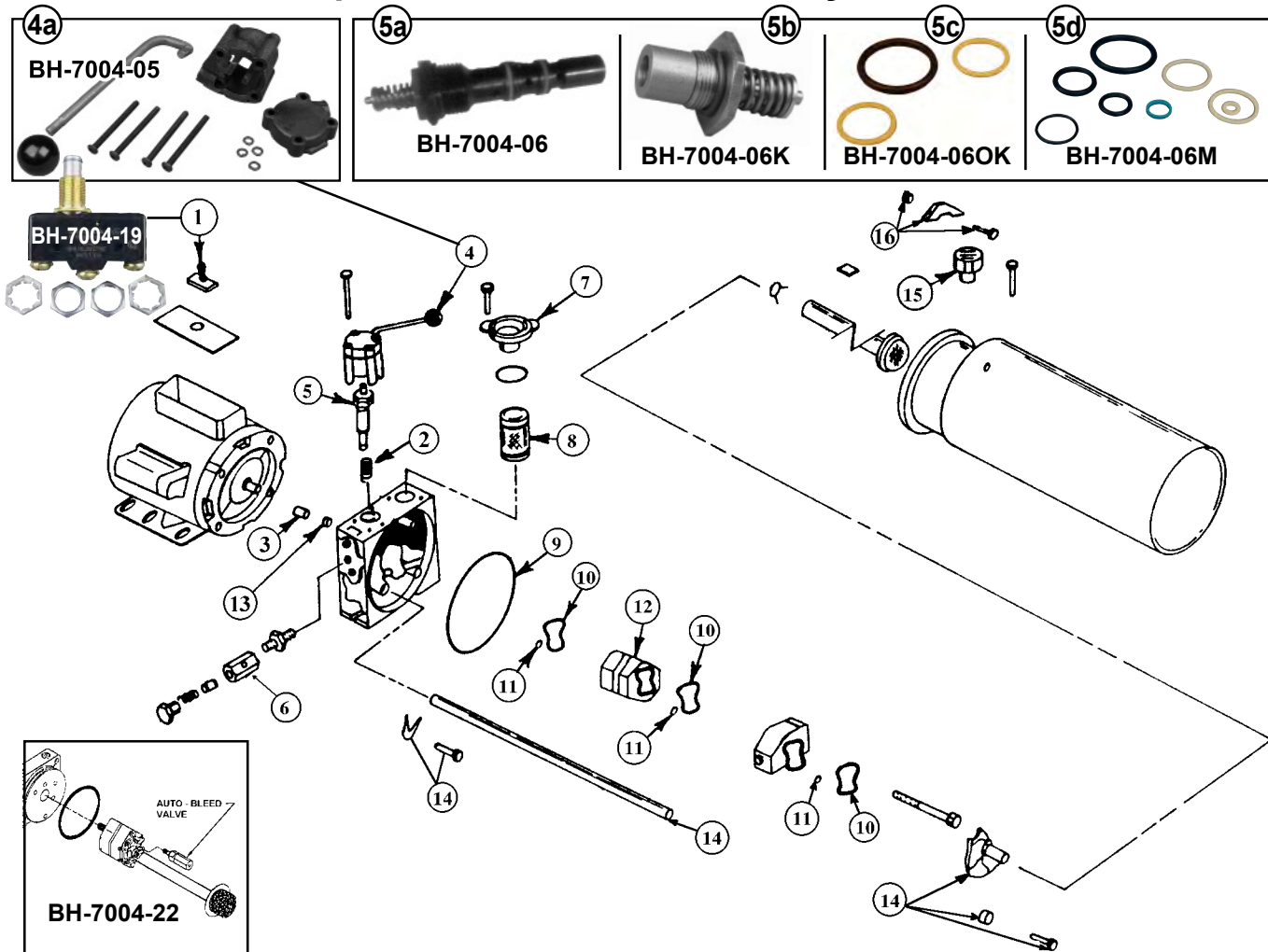


# Parts for Fenner / SPX Power Units

**DIRECTFIT™**

Don't see what you need? Call SVI: 800-321-8173

For use on Rotary P502 Power Units.  
Some parts also for use on Rotary P500 Units.



Item	SVI Part #	OEM #	Req	Description
1	BH-7004-19	1258-AA	1	Switch
	BH-7002-12	1277-AA	1	Microswitch Boot
	BH-7004-19K			Microswitch and Boot KIT
2	BH-7006-18	RV-16	1	Fixed Relief Valve
3	BH-7004-18	1118-AA	1	Coupling 1-1/4"
4 a	BH-7004-05	A-01	1	Lower Handle/Cover Kit
	b BH-7004-05B	1144-CC	1	Plastic Body Only
	c BH-7004-05C	1145-CC	1	Plastic Cap Only
5 a	BH-7004-06	V-12	1	Lowering Valve Assy.
	b BH-7004-06K	KV-12	opt.	Valve Stem Repair Kit
	c BH-7004-06OK			O-Ring Kit for Lowering Valve Above
	d BH-7004-06M			O-Ring Kit for Lowering Valve Above

Item	SVI Part #	OEM #	Req	Description
6	BH-7004-07	RV-12	1	Relief Valve w/spring
7	BH-7004-08	1142-BB	1	Breather Cap 3/8" thread
8	BH-7004-09	1160-BB	1	Filter Element (NLA)
9	BH-7004-10	1140-BA	1	Reservoir Gasket
10	OB-70-132	PC-31-6	3	Large Pump O-Ring
10/11	BH-7006-25	K-40	1	Pump O-Ring Kit
11	OB-70-110	PL-31-8	3	Small Pump O-Ring
12	BH-7006-21	P2.5D	1	Pump
13	BH-7004-17	1094-AA	1	Shaft Seal
14	BH-7004-13	K-09	1	Vertical Suction Tube Kit
15	BH-7004-14	1214-AA	1	Filler Breather 3/8" thread
16	BH-7004-16	1138-CA	3	Reservoir Hanger Assy.
--	BH-7004-22	K-156		Auto Bleed Valve

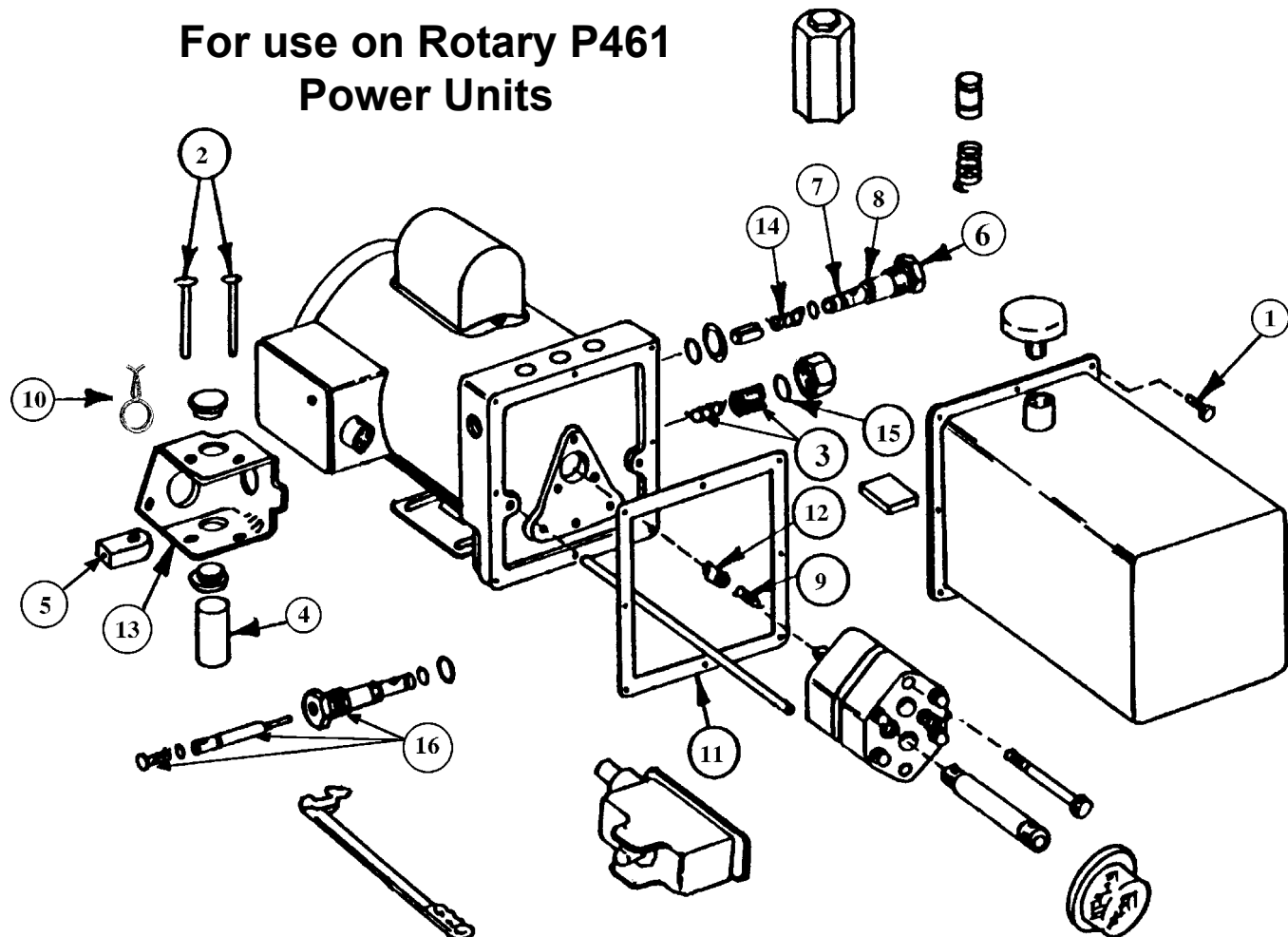
Page 20

# Parts for Fenner / SPX Power Units

**DIRECTFIT™**

Don't see what you need? Call SVI: 800-321-8173

## For use on Rotary P461 Power Units



Item	SVI Part #	OEM #	Req	Description
1	F-HC-0125-24-0375	F1-1010-37	8	Hex Head Cap Screw
2	BH-7005-02	F6-0181-87	2	Headed Pin
3	BH-7005-18	RV-2	1	Relief Valve Assembly includes: W5-1020-95
4	BH-7005-04	S9-5000-14	1	Cam Shaft Assembly
5	BH-7005-05	S9-5001-11	1	Relief Valve Cam Assy.
6	BH-7005-17	2286-AA	1	Check Cap Assembly
7	OB-90-013	G1-1010-12	1	O-Ring
8	OB-90-015	G1-1010-14	1	O-Ring
9	BH-7005-09	C1-1033-00	1	Spring

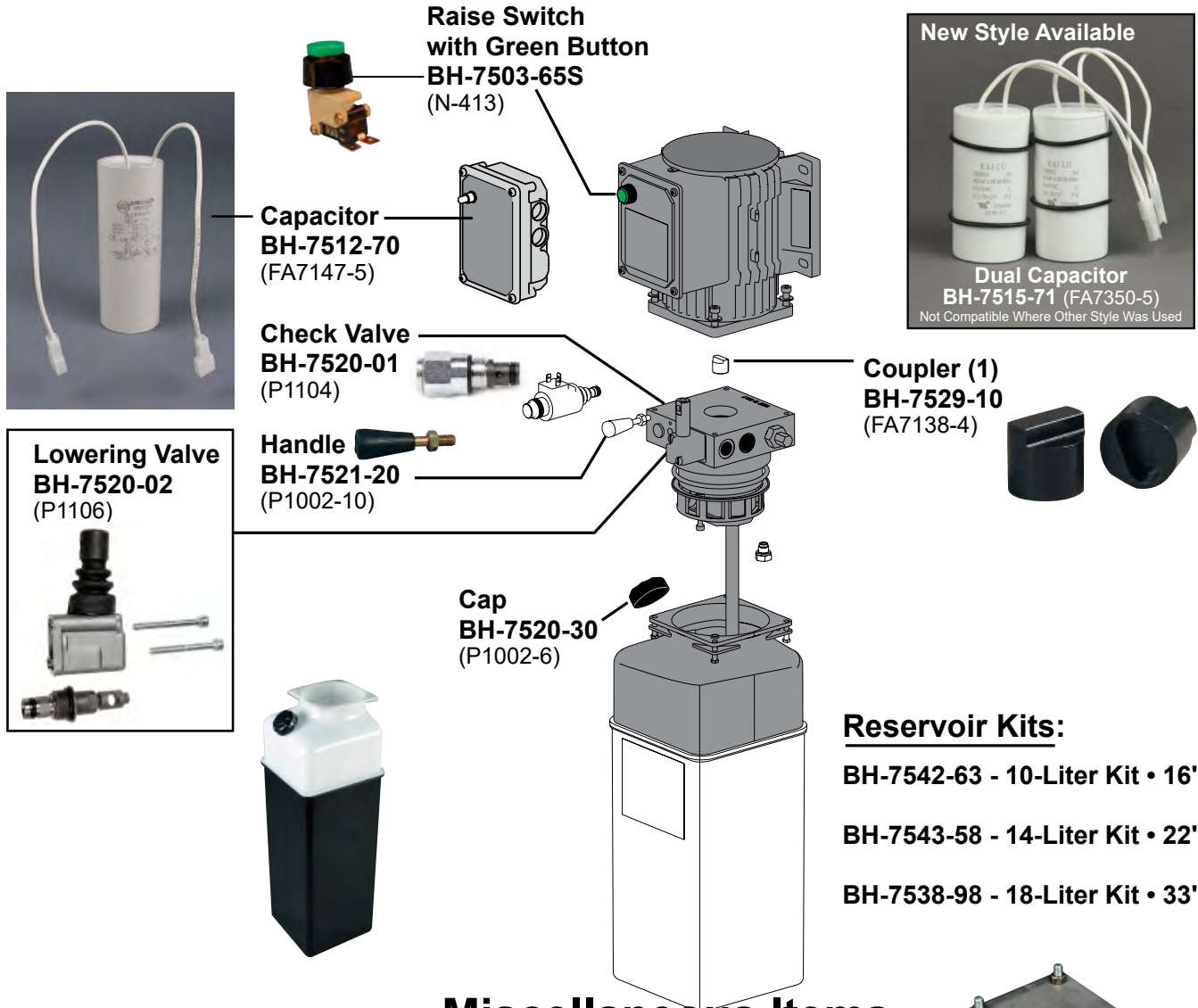
Item	SVI Part #	OEM #	Req	Description
10	BH-7005-10B	11072	1	Torsion Spring (single) (other styles no longer available)
11	BH-7005-11	G3-3002-00	1	Reservoir Gasket
12	BH-7005-12	J3-1001-14	1	Coupling
13	BH-7005-13	S9-6000-03	1	Act. Mfg. Bracket Assy.
14	BH-7005-14	S1-1009-00	1	Check Valve Spring Assy.
15	BH-7005-15	W6-1006-00	1	Seal Ring
16	BH-7005-16	2155-AA	1	Release Cap & Stem Assy. includes: S3-1000-01, S4-1000-00



# Parts for Global Hydraulics Power Unit

**DIRECTFIT™**

Don't see what you need? Call SVI: 800-321-8173



## Miscellaneous Items

### Power Unit Relocation Bracket - BH-7010-01

Use to replace old top of column mount power unit with new style Power Unit.

For 56 Frame Power Units such as SVI unit BH-7006-01.

May require hose or tubing extensions. Consult local hydraulic house or call SVI for help.



Supplied unfinished for ease of welding. You will need to grind paint or powder coat finish off column to install. Once welded refinish area with a close matching paint.

### BH-7011-10 Vibration Gasket

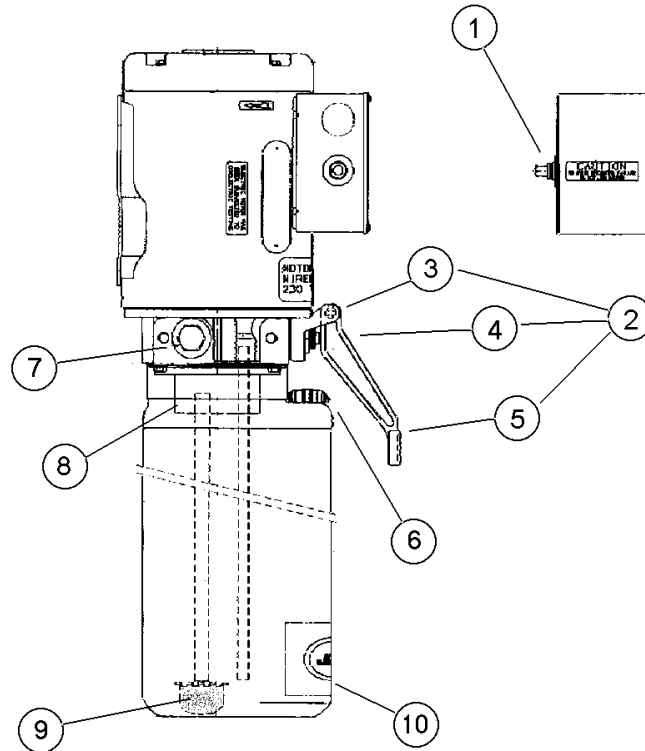




# Parts for Barnes Power Units

**DIRECTFIT™**

Don't see what you need? Call SVI: 800-321-8173



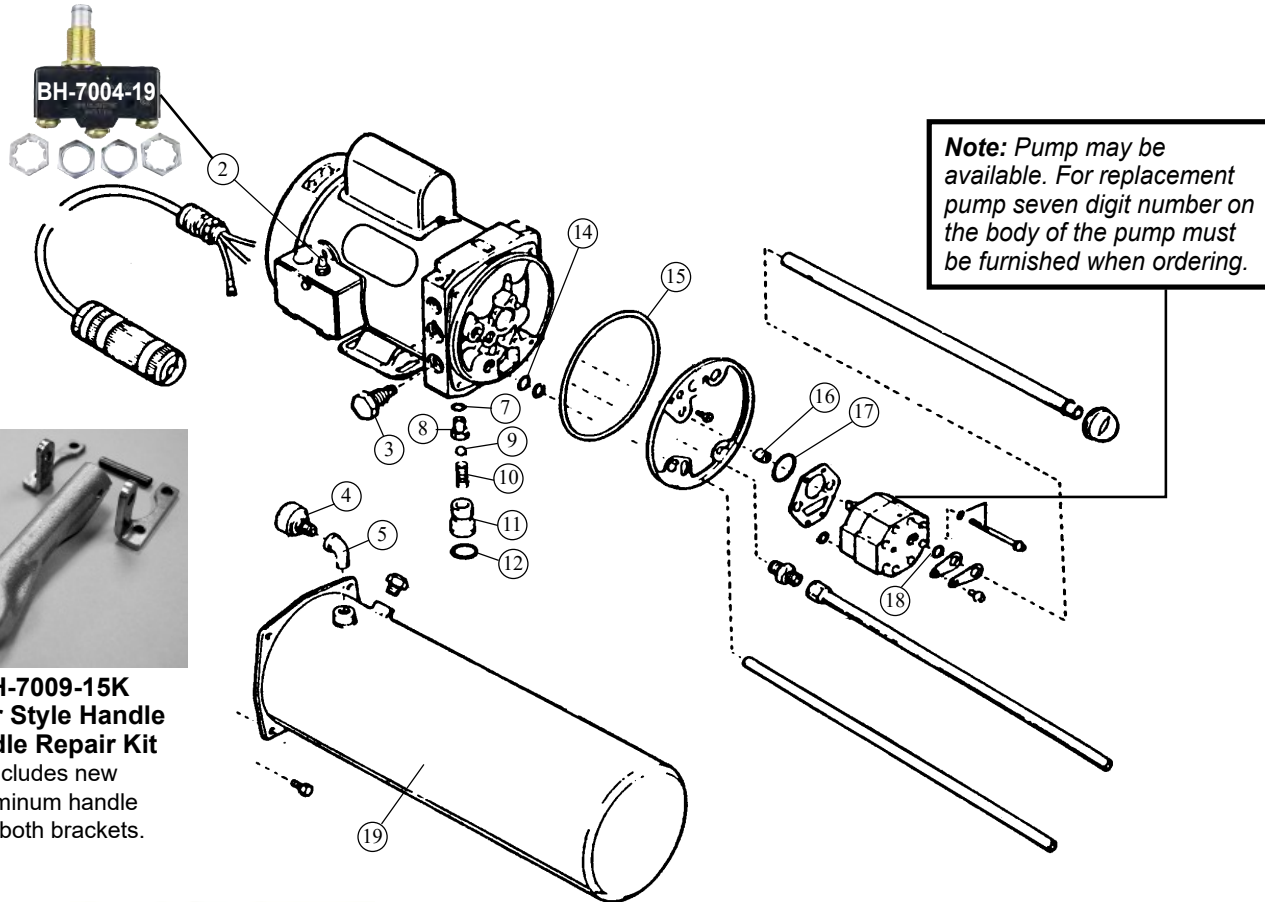
Item	SVI Part #	OEM #	Req	Description
1	BH-7004-19	2381089	1	Pushbutton Switch
	BH-7002-12	2380268	1	Pushbutton Boot
2	BH-7009-71	2180814	1	Lowering Valve Kit
3	BH-7009-76	2240125	1	Handle Bracket
4	BH-7009-74	2180810	1	Lowering Valve
5	BH-7009-75	2180907	1	Handle
6	BH-7009-77	2500037	1	Filler Breather Cap
7	BH-7009-69	2210866	1	Check Valve Kit
7	BH-7009-70	2180003	1	Relief Valve Kit
8	BH-7009-66	1300171	1	Pump Assembly
9	BH-7009-73	2430011	1	Suction Strainer
10	BH-7009-72	2281116	1	Reservoir Kit
--	BH-7004-12			Bolt
--	BH-7002-12			Rubber Pushbutton Boot



# Parts for Barnes Power Units

**DIRECTFIT™**

Don't see what you need? Call SVI: 800-321-8173



**Note:** Pump may be available. For replacement pump seven digit number on the body of the pump must be furnished when ordering.



**BH-7009-15K**  
Lever Style Handle  
Handle Repair Kit  
Includes new aluminum handle and both brackets.



**BH-7009-09**  
**BH-7009-60**  
Old Style Valve



**BH-7009-20**  
Filter

Item	SVI Part #	OEM #	Req	Description
1	BH-7009-15K	2530027	1	Handle Kit
	BH-7009-15	2530027	1	Handle
	BH-7009-10	2440098	1	Left Bracket
	BH-7009-11	2440099	1	Right Bracket
	F-RP-187-1125		1	Roll Pin
--	F-NL-0010-32	2140061	1	Nut Stop
2	BH-7004-19	2381089	1	Push Button Switch
	BH-7002-12	2380268	1	Push Button Boot
3	BH-7009-05	2180060	1	Check Valve
4	BH-7009-06	2500006	1	Breather
5	BH-7009-07	2270022	1	45° Elbow

Item	SVI Part #	OEM #	Req	Description
6	BH-7009-09	2180062	1	Release Valve
	BH-7009-60	1	Release Valve (Old Style)	
7-12	BH-7009-29	2300195	1	Relief Valve Kit Includes: Hex Cap, Gasket, Spring, Ball, Valve Seat, O-Ring
13	BH-7009-20			Filter
14	OB-70-110	2120038	6	O-Ring
15	BH-7009-32	2120058	1	O-Ring
16	BH-7009-35	2390005	1	Coupling
17	OB-70-014	2120026	1	O-Ring
18	BH-7009-41	2120040	1	O-Ring
19	BH-7009-55	2280762	1	Reservoir

P  
a  
g  
e  
24



# Parts for MTE Power Units

**DIRECTFIT™**

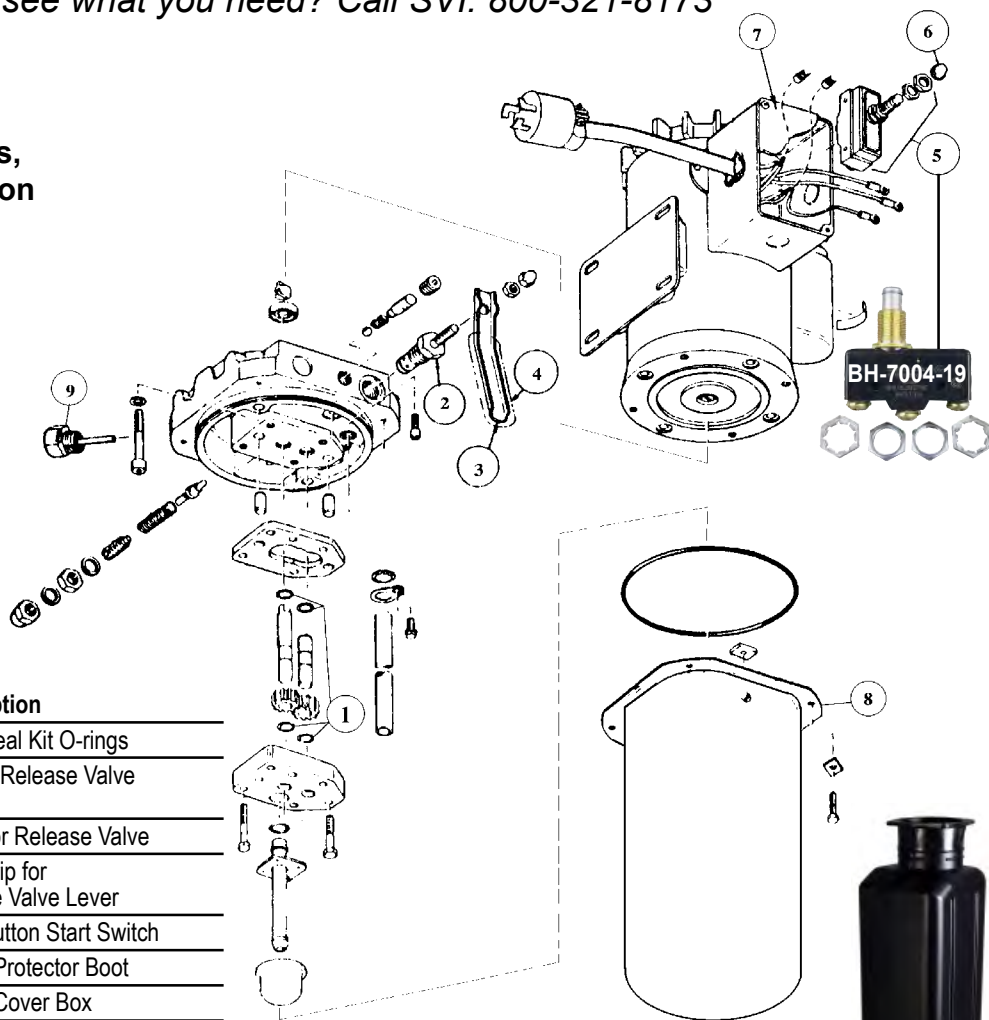
Don't see what you need? Call SVI: 800-321-8173

When ordering MTE parts, provide the "S-Number" on or by the pump.

Example:

S-202T####

S-203T####



Item	SVI Part #	Req	Description
1	BH-7000-20	1 set	Shaft Seal Kit O-rings
2	<b>BH-7000-11</b>	1	Manual Release Valve Several Other Choices Available
3	BH-7000-12	1	Lever for Release Valve
4	BH-7000-13	1	Vinyl Grip for Release Valve Lever
5	<b>BH-7004-19</b>	1	Push Button Start Switch
6	<b>BH-7002-12</b>	1	Switch Protector Boot
7	BH-7000-16	1	Switch Cover Box
8	Call to order		Reservoir - Model # Required
9	BH-7000-18	1	Filler/Breather Cap

Call SVI today to order replacement Reservoirs for MTE Power Units!



**BH-7000-89 Valve**

(38500237 / 991403)

All NEW MTE Power Units Including

- 4751 • 4749 • 4757
- 4752 • 4750 • 4758
- 4753 • 4761 • 4759
- 4754 • 4755 • 4818
- 4756



**BH-7000-11 Valve**

(38500097)

As Pictured



**BH-7000-32 Valve**

DISCONTINUED

- (27002113)
- (27002100)
- S202T-4343
- 2/4 - Post Lifts
- 1/96 thru 11/96



**BH-7000-31 Valve**

(27002113)

- (27002100)
- S202T-4450
- S202T-4620
- S201T-4443
- 2/4 - Post Lifts
- 11/96 thru 2000
- LR-60



# MTE Valves

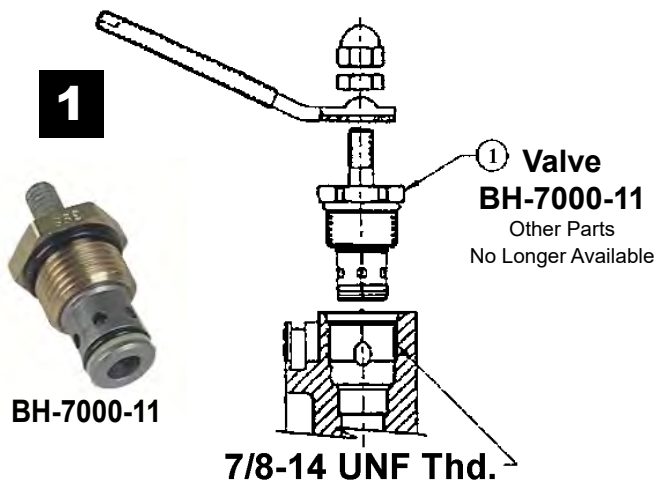
## 2-Way, Normally Closed Manually Operated Lower Valves

### 7/8-14 UNF Threaded Valves

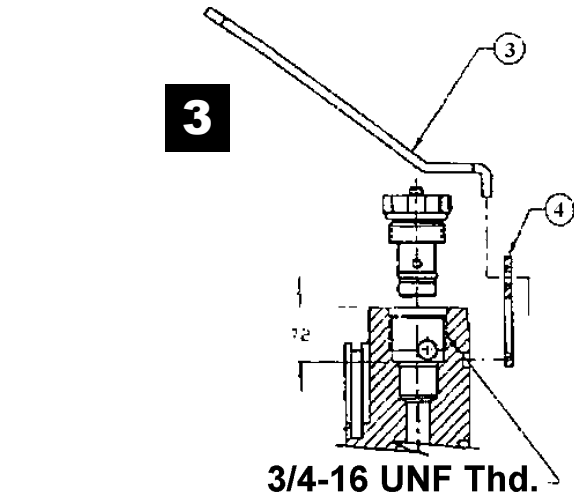
(Valve Designs #1 & #2 CAN be interchanged)

### 3/4-16 UNF Threaded Valves

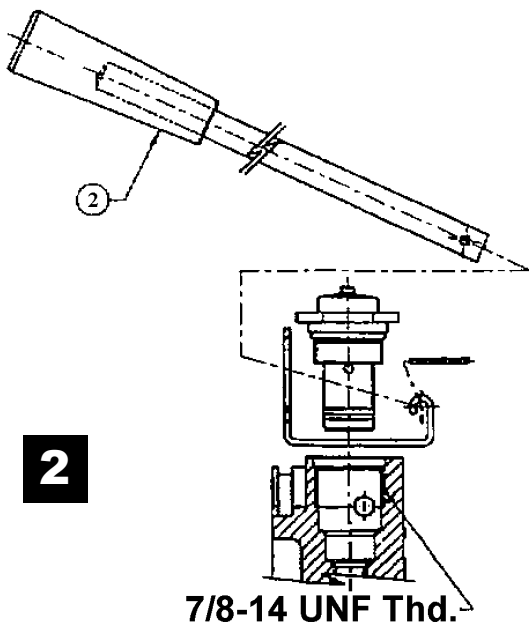
(Valve Designs #3 & #4 CANNOT be interchanged)



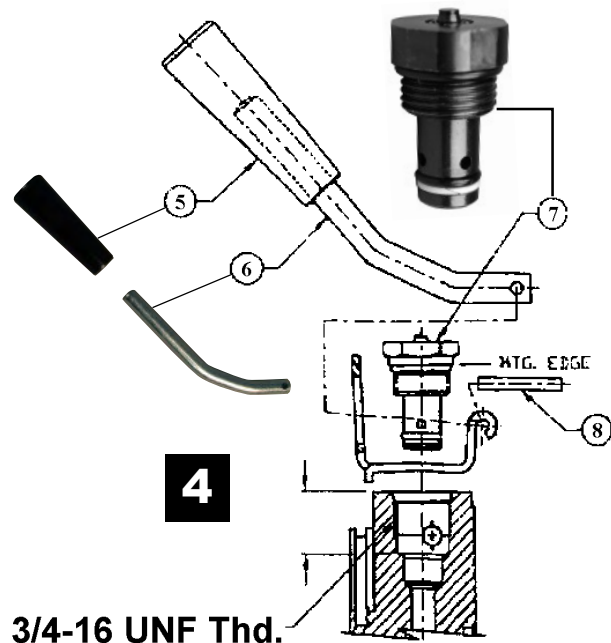
Item	SVI Part #	OEM #	Description
1	BH-7000-11	38500097	Valve Assembly



Item	SVI Part #	OEM #	Description
3	BH-7000-34	36601017	Handle
4	BH-7000-35	35802075	Retainer



Item	SVI Part #	OEM #	Description
2	BH-7000-29	36701007	Handle Grip



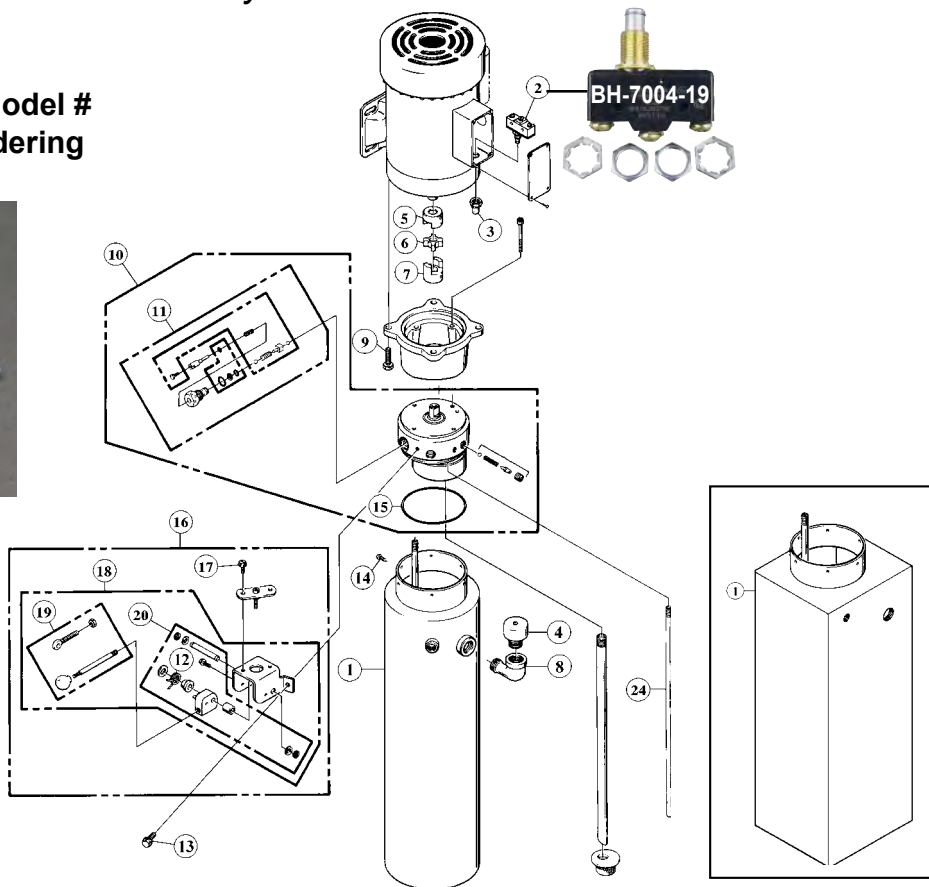
Item	SVI Part #	OEM #	Description
5	BH-7000-29	36701007	Handle Grip
6	BH-7000-28	33701163	Handle
7	BH-7000-31	27002113	Valve Assembly
8	BH-7000-27	33801019	Pin

# Parts for Monarch Power Units

**DIRECTFIT™**

Don't see what you need? Call SVI: 800-321-8173

Provide Model #  
When Ordering



Item	SVI Part #	OEM #	Req	Description
1	BH-7002-38	6338, 06338	1	Reservoir 6" x 21" 2.6 Gal.
	BH-7002-46	06984	Opt.	Reservoir - Rectangular
2	<b>BH-7004-19</b>	<b>03529</b>	1	<b>25 Amp Limit Switch</b>
	<b>BH-7004-19K</b>			<b>Limit Switch and Boot</b>
3	<b>BH-7002-12</b>	<b>03230</b>	1	<b>Rubber Pushbutton Boot</b>
4	BH-7002-39	01143	1	Vent Plug
5	BH-7002-16	01139	1	Coupling 5/8" Bore
6	BH-7002-17	01603	1	Spider Coupling
7	BH-7002-18	01189	1	Coupling 5/8" Bore
8	BH-7002-40	01283	1	3/4" NPT Street Elbow
9	F-HC-0375-16-0750	07817	4	Hex Head Cap Screw
10	BH-7008-10	02766	1	Pump Assembly
11	<b>BH-7002-22</b>	<b>03680</b>	1	<b>Lowering Valve Parts Kit</b>
12	BH-7002-35	00071	1	Torsion Spring
13	F-HW-0312-18-0625	07889	4	Hex Washer Head Screw
14	F-MS-0010-24-0375	07703	6	Machine Screw
15	BH-7002-26	02352	1	Pump O-ring
16	BH-7002-27	03718	1	Bracket Assy. Complete
17	F-HW-0250-20-0500	07886	2	Hex Washer Head Screw
18	BH-7002-29	03717	1	Bracket Assy. Parts Kit
19	BH-7002-30	03647	1	Handle Assy. Parts Kit
20	BH-7002-34	03661	1	Switch Assy. Parts Kit

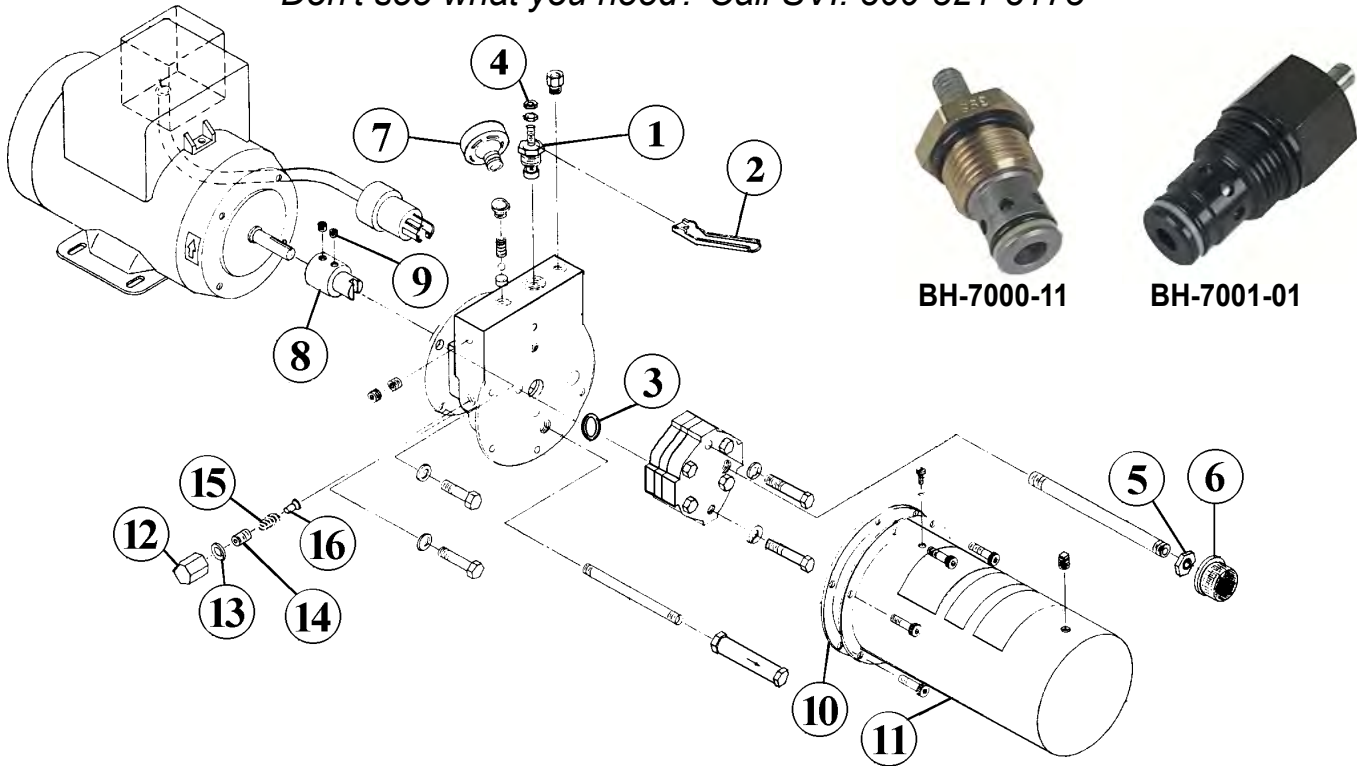
Item	SVI Part #	OEM #	Req	Description
<b>Not Pictured:</b>				
--	BH-7006-01-xx	08137		2hp, 1ph, 3450 RPM Motor
--	F-SC-0250-20-1000	07760		SHCS 1/4 - 20 X 1"
--	F-SC-0250-20-2000	07745		SHCS 1/4 - 20 X 2"
--	F-SC-0250-20-3000	07818		SHCS 1/4 - 20 X 3"
--	BH-7002-17	01603		Spider Coupling 33/64 Bore
--	BH-7002-18	01189		Coupling 5/8 Bore
--	BH-7002-19	01605		Housing, Pump/Motor Adapt
--	BH-7008-10	02766		Pump Assembly
--	BH-7002-23	03607		Plunger & Housing O-Rings
--	BH-7002-24	03606		Check Valve Parts Kit
--	BH-7002-25	02222		Relief Valve Parts Kit
--	BH-7002-30	03647		Handle Assembly Parts Kit
--	BH-7002-31	01327		Rod Control Eyebolt
--	BH-7002-32	01326		4" Handle Rod
--	BH-7002-33	07790		Hex Nut 5/16 - 18
--	BH-7002-36	07703		HWHS 5/16 - 18 X 5/8"
--	BH-7002-42	01106		1/4 NPT Plug
--	BH-7002-43	01134		Filter Screen (suction)
--	BH-7002-47	06878		Reservoir



# Parts for Webster Power Units

**DIRECTFIT™**

Don't see what you need? Call SVI: 800-321-8173



BH-7000-11

BH-7001-01

Item	SVI Part #	OEM #	Req	Description
1	BH-7001-01	86957	1	Lowering Valve (E-Clip) (Smooth Stems, No Threads)
1	BH-7000-11	See MTE	1	Lowering Valve (MTE Style)
2	BH-7001-05	86282-3	1	Handle Lever Grip
3	OB-70-012	29771-012	1	O-Ring
4	BH-7001-04	29642-25	1	Retaining Ring
5	BH-7001-13	86373	1	Pal Nut
6	BH-7001-14	86110	1	Strainer
7	BH-7001-17	80083P	1	Filler/Breather
8	BH-7001-18	90883	1	Coupling

Item	SVI Part #	OEM #	Req	Description
9	BH-7001-19	29540-5	2	Set Screw
10	BH-7001-20	80086-13	1	Gasket
11	BH-7001-21	80055-21A	1	3-Gallon Reservoir Tank Must Provide Model # When Ordering
12	BH-7001-24	151-23413	1	Relief Valve Cap
13	BH-7001-25	171-86598	1	Relief Valve Gasket
14	BH-7001-26	151-25395	1	Relief Valve Adj. Screw
15	BH-7001-27	151-23575	1	Relief Valve Spring
16	BH-7001-28	151-25002	1	Relief Valve Poppet





# Parts for Vibo Power Units

**DIRECTFIT™**

*Don't see what you need? Call SVI: 800-321-8173*



**BH-7003-01**



**BH-7003-02**



**BH-7003-03**

## PARTS FOR BH-7003-01 POWER UNIT

SVI Part #	Description
BH-7003-10	Microswitch for BH-7003-01
BH-7003-11	Starting Capacitor for BH-7003-01
BH-7003-12	3 Gallon Plastic Reservoir for BH-7003-01
BH-7003-13	Reservoir Cap for BH-7003-01
BH-7003-14	Lowering Valve for BH-7003-01, 02 & 03
BH-7003-15	Working Capacitor for BH-7003-01
BH-7003-16	Handle for BH-7003-01



**BH-7003-10**



**BH-7003-11**



**BH-7003-12**



**BH-7003-13**



**BH-7003-14**



**BH-7003-15**



**BH-7003-16**

## PARTS FOR BH-7003-02 POWER UNIT

SVI Part #	Description
BH-7003-14	Lowering Valve for BH-7003-01, 02 & 03
BH-7003-20	Microswitch for BH-7003-02
BH-7003-21	Running Capacitor for BH-7003-02
BH-7003-22	Starting Capacitor for BH-7003-02



**BH-7003-14**



**BH-7003-20**



**BH-7003-21**



**BH-7003-22**

## PARTS FOR BH-7003-03 POWER UNIT

SVI Part #	Description
BH-7003-14	Lowering Valve for BH-7003-01, 02 & 03
BH-7003-17	1 to 1-1/2 Gallon Plastic Reservoir for BH-7003-03
BH-7003-18	Microswitch for BH-7003-03
BH-7003-19	Running Capacitor for BH-7003-03
BH-7003-23	Starting Capacitor for BH-7003-03



**BH-7003-14**



**BH-7003-17**



**BH-7003-18**



**BH-7003-19**



**BH-7003-23**



# DIRECT FIT™ BRAND

## SVI International, Inc.

Catalogs and Information Online: [www.sviinternational.com](http://www.sviinternational.com)

**EASY TO ORDER:**

**800-321-8173**

**815-748-0200**

Fax: 800-899-1784 • 815-748-0210

E-Mail: [parts@sviintl.com](mailto:parts@sviintl.com)

[www.sviinternational.com](http://www.sviinternational.com)

### LUBRICATION & PAINT / FOAM SPRAY REPAIR PARTS & KITS FOR:

- Alemite • ARO • Balcrank • Graco • Lincoln

### PETROLEUM EQUIPMENT & REPAIR PARTS FOR:

- Gas Pump & Meter Kits and Parts for Gasboy • Tokheim • Fill-Rite
- Including Parts for Older Pumps: Wayne • Bennett • Gilbarco • Bowser A.O. Smith (Geosource) • Southwest

### SEAL KITS

### SHOP EQUIPMENT

- Hein-Werner Products • Omega Products
- Porto-Power • Pro-Lift

### TIRE EQUIPMENT REPAIR PARTS

- Tire Changer and Wheel Balancer
- Parts for All Makes

Accu-Turn	FMC	Nussbaum
All Tool	Giuliano	Ranger
Ammco®*	Hofmann	Sicam
BaseLine®*	Hunter	Sice
Bosch	John Bean / (JBC)	Snap-On
Cemb	Kwik-Way	Teco
Coats®*	Launch	Tuxedo
Corgi		

### VALVES

- Air Compressor Valves of All Types
- Air and Hoist Control Valves
- Ball Valves • Check Valves
- Kingston Valves • Pressure Relief Valves
- Relief Valves • Safety Valves
- Solenoid Valves
- Tire Changer Valves • And More!

### CUSTOM PRODUCTS

And let us know if you want something you use in your shop to be added to our product line!

### AUTO LIFT REPAIR PARTS FOR ALL MAKES & MODELS

-NO MATTER THE AGE OF THE LIFT!

- Arm Restraint Kits & Parts
- Cables—Lifting and Equalizing
- Chain
- doorjammerPRO - Door Protection Pad
- Height Extensions and Rubber Pads
- Installation Products & Tools
- Power Units and Parts
- Pulleys and Chain Rollers
- Seal Kits for In-Ground & Surface Mount
- Safety Legs / Non-Rotators
- Replacement Lift Kits
- Power Post Lifting Systems
- Tanks for In-Ground Lifts
- Turf Attachments for 2-Post Lifts

### SURFACE MOUNT LIFT PARTS FOR:

Acanus	Gemini	Quality
Ammco®*	Gilbarco	Ranger
Alamo /	Globe	Ravaglioli
ASSSA	Grand	Rotary Lifts
ALM	Hofmann	Silent Tech
AMI	Hydralift	Slift
Ashawa	Ime Istobal	Somers Souriau
Ben Pearson	Kismet	Stenhøj
BendPak	Kimm	Stertil Koni
Benwil	Koni	Sun
Bishamon	Launch	Tecalemit
Boston	Laycock	Titan
Bradbury	Lincoln	Weaver
Cascos	Maha	Werther
Consul	Manitowoc Lifts	Western
Challenger	Mohawk	Westinghouse
Force	Nussbaum	Wheeltronic
Ford Smith	OMA	Worth
Forward	OMCN	Zippo
Fuchs / Zippo	PMW	

### IN-GROUND LIFT PARTS FOR:

Benwil	Gilbarco	PKS Lifts
Challenger	Globe	Rotary
Cochin	HDL/ISS Innovative	US Hoist
Curtis	Joyce	Weaver
Ford Smith	Manitowoc Lifts	Western

### AIR COMPRESSOR PARTS

- Air Receiver Tanks • Compressor Mufflers
- Automatic Tank Drain Valve for Champion Compressors
- Filters—Many OEM Ref Available!
- Filters, Regulators, Lubricators
- Intake Filter Products
- Milton Air System Products
- Re-Coil Hose • Valves
- Vibration Dampening Pads & much more!

### BRAKE LATHES REPAIR PARTS

- Brake Lathe Repair Parts and Accessories for All Makes 

### EXHAUST REMOVAL SYSTEMS & PRODUCTS

### FLUID DELIVERY

- Lenz Fittings
- Steel Hydraulic Line Tubing and Fittings
- Strut and Hangers

### HOSE REELS BY REELCRAFT®

### HYDRAULIC CYLINDERS—

- Custom Single-Acting Large Bore Cylinders
- Also see "Lifting Equipment"

### LIFTING EQUIPMENT

- New In-Ground Lifts—Car, Truck & Bus
- Small Equipment Shop Maintenance (SESM) Lifts for lifting Landscape Equip. ATVs / UTVs, Motorcycles, Lawn Mowers, Golf Carts and More!
- Custom Lifting Equipment incl. Production Line Lifts, Rail Car Lifts and More
- Custom Hydraulic Cylinders for Various Applications
- Turf Attachments for 2-Post Lifts
- In-Ground Lift Sections and Kits
- And more!

**DIRECTFIT™**

In addition to SVI's DIRECT FIT™ BRAND, we are proud to be a one-stop shop for many other great products including:



3 Ready-Ship Warehouses for Faster Shipping! | **BALTIMORE • CHICAGO • LOS ANGELES**

**Main Office:** 155 Harvestore Drive • DeKalb, IL 60115

All names, numbers, symbols and descriptions are used for reference purposes only. It is not implied that any part listed is the product of these manufacturers.

SVI does not represent and is not associated in any way with any other companies. Entire contents copyright © 2021, SVI International, Inc. Prices subject to change without notice.

\*AMMCO, BASELINE, COATS and DUCKHEAD are registered trademarks of Hennessy Industries, Inc. SVI International, Inc. is not associated in any way with Hennessy Industries, Inc.

**TERMS AND CONDITIONS OF THE  
SALES ORDER  
FOR SVI INTERNATIONAL, INC.**

1. **GENERAL.** The terms and conditions of sales order outlined herein shall apply to the sale by SVI INTERNATIONAL, INC. (hereinafter referred to as "Company") of the items described on the facing page (hereinafter referred to as "Merchandise") to Purchaser.
2. **DELIVERY.** Delivery shall be deemed to be complete when the Merchandise has been shipped F.O.B. Company's plants in DeKalb, Illinois, Montclair, California; and Hanover, Maryland ("Company's plants"). Shipments are subject to delays from causes or contingencies beyond the reasonable control of the Company. When otherwise not specified, shipments will be made in standard containers via carrier which, in the judgment of the Company, will result in the most practical method. Title and right of possession will pass to the Purchaser upon receipt by the carrier at the shipping point. If a customer of the Company should specify a specific carrier's method of shipment (i.e. UPS Next Day Air) and that carrier does not perform to the customer's expectations, freight credit to a customer's account will not be issued unless the Company can first obtain a credit.
3. **RISK OF LOSS.** Identification of the Merchandise under Uniform Commercial Code (hereinafter referred to as "UCC") Section 2-501 shall take place at the moment of shipment F.O.B. Company's plants. Risk of loss shall pass to the Purchaser when the Merchandise is shipped from the Company's plants.
4. **TITLE.** Title to the merchandise shall transfer to the Purchaser when the Merchandise is shipped from the Company's plants.
5. **WARRANTIES.** The Company guarantees its products to be free from defects in workmanship and raw materials for a period of one year from date of purchase. THIS WARRANTY IS EXPRESSLY IN LIEU OF ANY AND ALL WARRANTIES EXPRESS OR IMPLIED. COMPANY DOES NOT WARRANT THE MERCHANDISE IS MERCHANTABLE OR FIT FOR ANY PARTICULAR PURPOSE. Company's liability for breach of the terms of this Agreement, including any warranty, is limited to either refund of the invoice price of the Merchandise or at Company's option, replacement of the Merchandise free of charge, including transportation charges but not including the cost of labor. Purchaser has not relied on any statement or upon the conduct of Company with respect to the prospective use of the merchandise. Company shall not be liable for and Purchaser waives any and all claims for any loss or damage, directly or indirectly, arising from the use of the Merchandise and for punitive, incidental or consequential damages, including, but not limited to, damages to property, for loss of use, loss of time, loss of profit or loss of income. The Company does not authorize the sale of our products under any other warranty, expressed or implied. **Please note:** Electrical components and cylinder or shaft seals are not covered under warranty.
6. **SETOFF.** All claims for money due or to become due from the Company shall be subject to deduction by the Company for any setoff or counterclaim arising out of this or any other claims of the Company or its affiliated companies, whether such setoff or counterclaim arose before or after any assignment by Purchaser.
7. **INDEMNIFICATION.** Purchaser agrees to indemnify the Company and hold it harmless from and against all claims, liability, loss, damage or expense, including reasonable counsel fees, arising from or by reason of any modifications or alterations made by Purchaser. If a customer of the Company modifies or alters any part, in any manner whatsoever, or uses any part in departure from recommended performance specifications, said customer agrees to indemnify and hold the Company harmless from and against all liability and expenses based on damage to property or injury to or death of any person arising out of or attributable to such modified or altered part. Further, the Company will not accept any such modified or altered part for credit to a customer's account.
8. **FREIGHT POLICY.** Freight charges are prepaid and added to invoice or collect FOB shipping point. Note: All customers are responsible for all carrier shipping costs, fees, surcharges, etc. including order refusal and return fees.
9. **RETURN POLICY.** To return a part for credit or inspection, Purchaser must first contact our Main Office in Illinois, to obtain a Return Merchandise Form. Once Purchaser has obtained this form, the parts can be returned freight prepaid only. The Return form must be included with the shipment. Parts returned to the Company without the approved form will be returned freight collect to the shipper or refused. Returns must be initiated within 30 days of the invoice date. The Return Forms are valid for 30 days, from the date of issue. All Returns are subject to restocking charges. Return parts brought into our remote warehouses, will not be accepted by our personnel, without a Return Merchandise Form from the Main Office. Parts which have been used in any way or manner, including any installation or incorporation into a lift, hoist, or other equipment, shall NOT be eligible for return whether or not a Return form has been assigned. **Please note:** Electrical parts or components are not returnable for credit. This includes all switches, pushbuttons, relays, electric motors, capacitors, fuses, solenoids, power units with wiring issues or any other electrical items. Custom, built to order, special order, and non-stocked genuine parts are non-returnable.
10. **RESTOCK CHARGE.** Returns are subject to a restocking charge. Refusals are subject to the same restocking charge plus the cost of outbound and return freight charges and/or fees incurred by the Company due to shipment refusal.
11. **PRICES AND PAYMENTS.** All prices are subject to change without notice. All prices are F.O.B. shipping point. The Company standard terms are net 30 days, C.O.D. company check, C.O.D. cash, VISA, MasterCard, Discover or American Express. However, if in the judgment of the Company, the financial condition of the Purchaser at any time does not justify shipment according to standard terms of payment, the Company may require full or partial payment in advance.
12. **INTERPRETATION.** This sales order is intended by the parties as a complete and exclusive statement of the terms of their agreement. It supersedes all prior agreements, written or oral. No course of prior dealings between the parties and no usage of the trade shall be relevant to supplement or explain any terms used in this sales order. Acceptance or acquiescence in a course of performance rendered under this purchase order shall not be relevant to determine the meaning of this sales order even though the accepting or acquiescing party has knowledge of the nature of the performance and opportunity for objection. Whenever a term defined by the UCC is used in this sales order the definition contained in the UCC shall control.
13. **MODIFICATION.** This sales order can be modified or rescinded only by a writing signed by both parties.
14. **WAIVER.** No claim or right arising out of a breach of this sales order can be discharged in whole or in part by a waiver or renunciation of the claim or right unless such waiver or renunciation is supported by consideration and is in writing signed by the aggrieved party.
15. **ASSIGNMENT.** No right or interest in this sales order shall be assigned by either party without the written consent of the other and no delegation of any obligation owed, or of the performance of any obligation by either the Company or Purchaser shall be made without the written consent of the other party. Any attempted assignment or delegation not made in conformity with this paragraph shall be wholly void and totally ineffective for all purposes.
16. **TIME TO PERFORM AND BRING ACTION.** Time is of the essence of this sales order. Any action for breach of this sales order shall be commenced within two (2) years after the cause of action has accrued. Any party who loses any litigation shall reimburse the other party for costs including reasonable attorney's fees. The exclusive jurisdiction for any legal action shall be the Circuit Court of DeKalb County, Illinois.
17. **APPLICABLE LAW.** This sales order shall be governed by the UCC of Illinois as effective and in force on the date of this sales order.



BALTIMORE • CHICAGO • LOS ANGELES



ASIDE FROM A COMPLETE LINE OF POWER UNITS AND POWER UNIT REPAIR PARTS, SVI OFFERS A HUGE SELECTION OF PRODUCTS FOR THE SHOP.



- Air Compressor Parts and Filters
- Auto Lift Parts for Any Brand
- Auto Lift Cables and Chain
- Auto Lift Sheaves / Pulleys and Chain Rollers
- Brake Lathe Repair Parts for All Makes
- Exhaust System Products
- Fluid Delivery Repair Parts
- Hose Reels and Hose Stops
- In-Ground Auto Lifts
- Lubrication Equipment Repair Parts
- Petroleum / Service Station Pump and Tank Products
- Repair Parts for Gasboy Consumer Series
- SESM Lifts for ATV/UTV, Golf Cart and More!
- Tire Changer Repair Parts
- Transfer Pumps
- Turf Attachments for 2-Post Lifts
- Vehicle Lifting Systems
- Wheel Balancer Accessories



## SVI International, Inc.

155 Harvestore Drive • DeKalb, IL 60115

**800-321-8173 • 815-748-0200**

Fax: 800-899-1784 • 815-748-0210

Entire contents copyright © 2021, SVI International, Inc.

Information and Catalogs Online:  
[www.sviinternational.com](http://www.sviinternational.com)