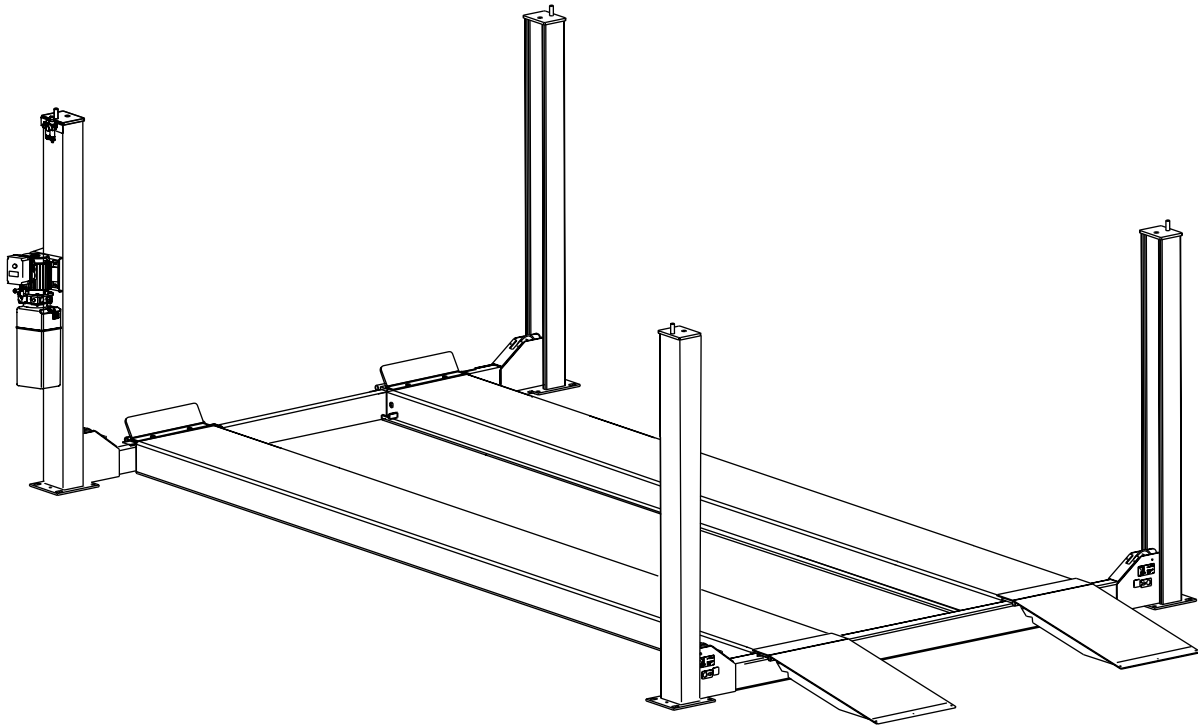




# AR14/SM14

Four Post Surface Mounted Lift  
Capacity 14,000 lbs. (7,000 lbs. per axle)



P  
A  
R  
T  
S  
  
B  
R  
E  
A  
K  
D  
O  
W  
N

**IMPORTANT:** When ordering parts or requesting service always give exact model and power unit serial number. Model number is shown on nameplate attached to air lock release valve. Power unit serial number is located on side of power unit.

OWNERS RECORD  
Complete information at right and keep in a safe place.

Date Installed \_\_\_\_\_  
 Installed in Bay # \_\_\_\_\_  
 Power Unit Serial # \_\_\_\_\_  
 Power Unit Model # \_\_\_\_\_  
 Lift Serial # \_\_\_\_\_  
 Lift Model # \_\_\_\_\_

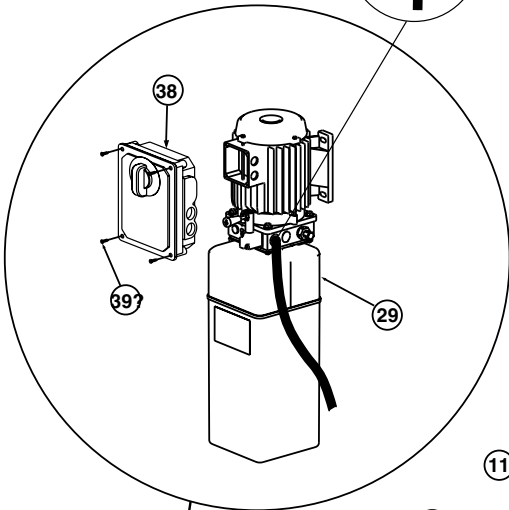
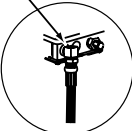
NOTE: For replacement parts -See your nearest Rotary Parts Distributor.

**PB 2-3-3-10**

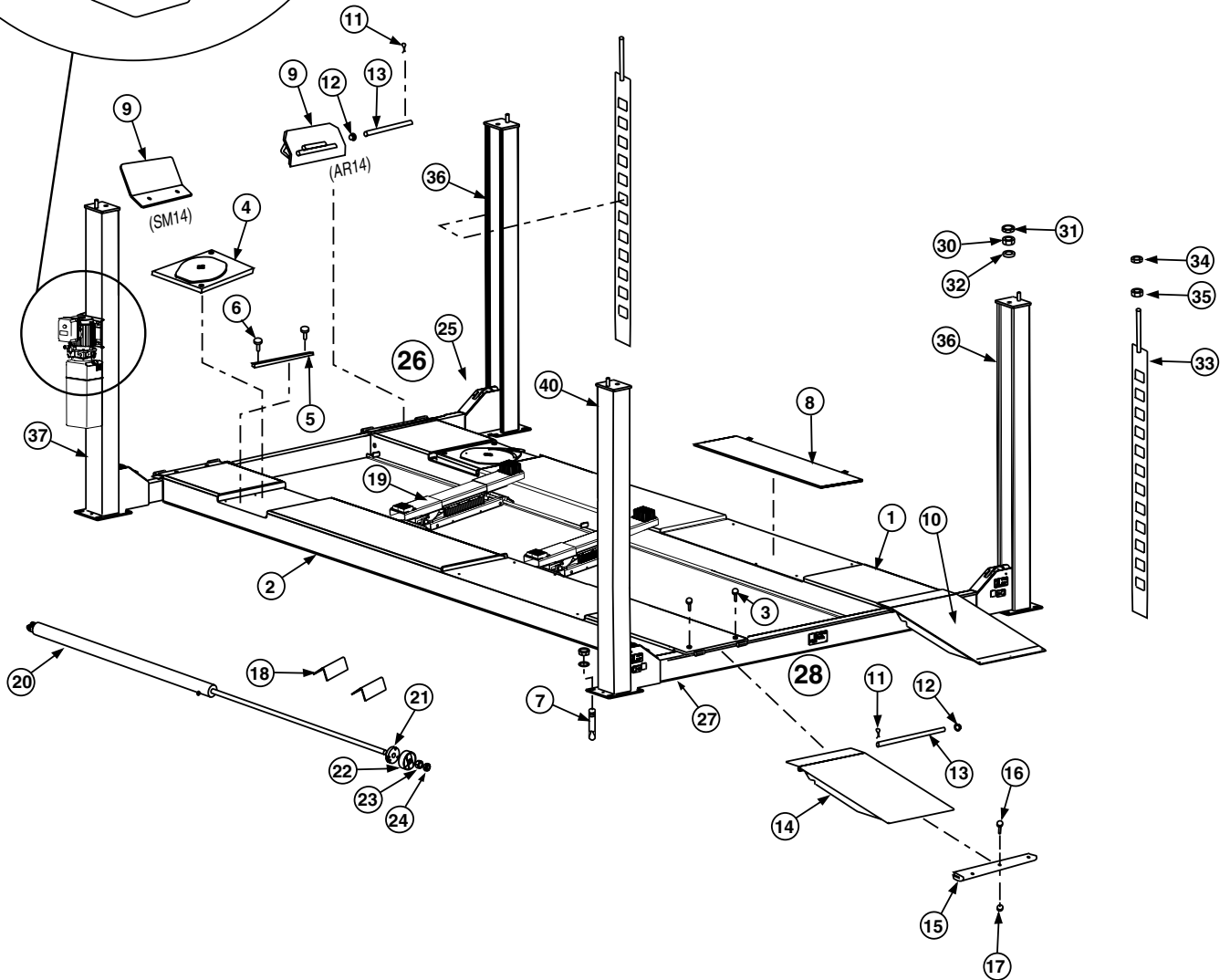
Rev. D 9/25/2007



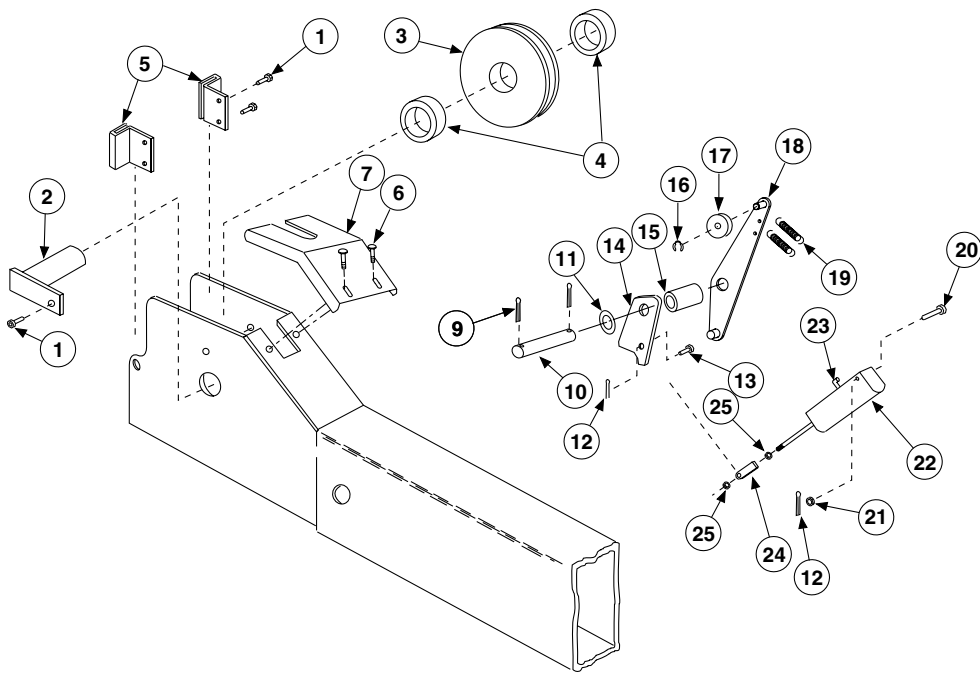
P1028-4 (Used on some models between Power Unit and Hose.)



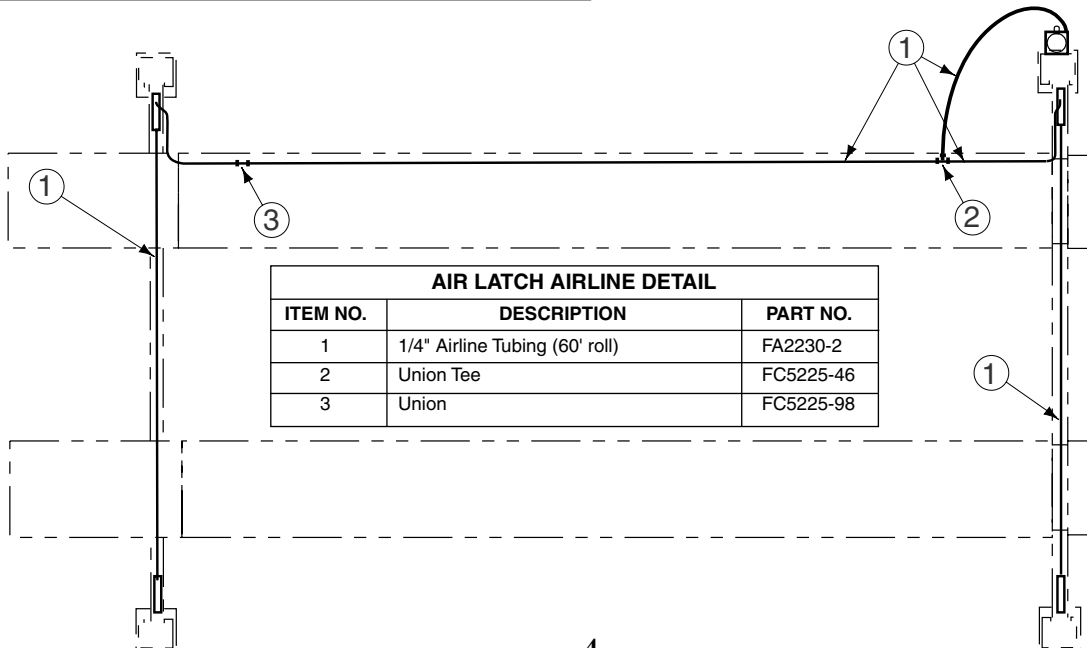
RUNWAY TABLE		
LIFT MODEL	Left Hand Runway Assembly <i>(Includes cylinder, cables and sheaves)</i>	Right Hand Runway Assembly/ Weldment
SM14S / 158 1/2" WB	S110304	S120698
SM14L / 182 1/2" WB	S110305	S120700
SM14EL / 206 1/2" WB	S110306	S120702
SM14S NB / 158 1/2" WB	S110307	S120698
SM14L NB / 182 1/2" WB	S110308	S120700
SM14EL NB / 206 1/2" WB	S110309	S120702
AR14S / 158 1/2" WB	S110336	S110337
AR14L / 192 1/2" WB	S110338	S110339
AR14EL / 212 1/2" WB	S110340	S110341
AR14L NB / 192 1/2" WB	S110342	S110339



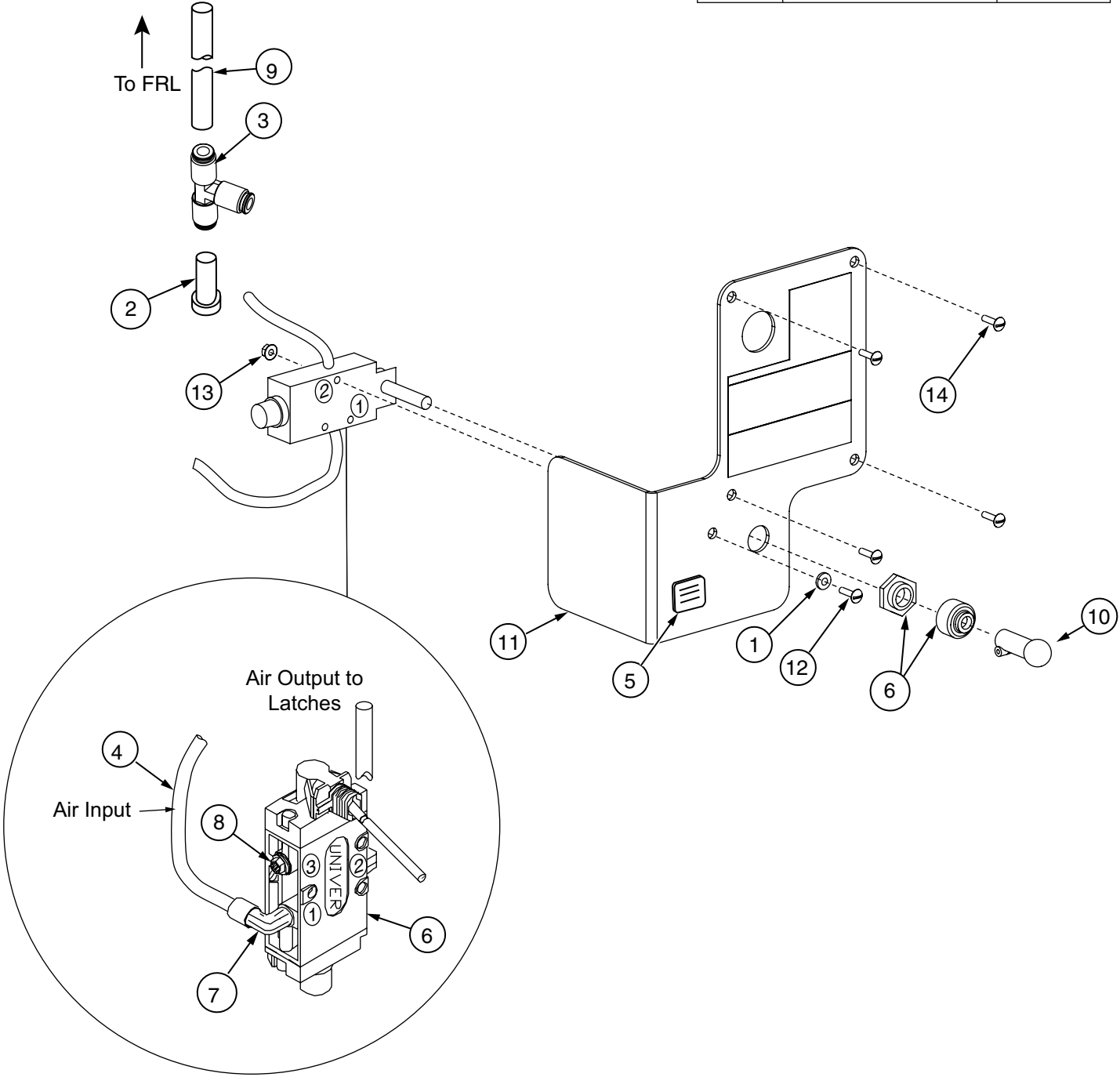
ITEM	DESCRIPTION	PART NO.	
1	R.H. Runway Assembly.....	Refer to table on opposite page.	
2	L.H. Runway Assembly (Includes cylinder, cables and sheaves).....	Refer to table on opposite page.	
		SM14	AR14
3	1/2" — 13NC x 1 1/4" Flg. Whiz-Lock HHCS (High Strength) .....	40279.....	40279
4	Radius Gauge .....	NA.....	FA5153
5	Turntable Guide Arm .....	NA.....	FA5153-1
6	5/16"-18NC x 5/8" Whiz-Lock.....	NA.....	42073
7	5/8" Anchor Bolt .....	FC5228.....	FC5228
8	Rear Slip Plate Kit .....	NA.....	S110335
9	Wheel Stop (SM).....	FC342.....	FC134-13
*10	Ramp Chock Assembly (Standard).....	S110302.....	S110302
	Ramp Chock Assembly (Extended) .....	S110303.....	S110303
11	5/32" x 1" Lg. Cotter Pin.....	41202.....	41202
12	5/8" Push Nut Fastener — TRW #PW625019 Or Equal.....	FC5179-4.....	FC5179-4
13	Hinge Pin.....	FC134-99.....	FC134-99
14	Ramp Chock Weld (Standard) .....	S120689.....	S120689
	Ramp Chock Weld (Extended).....	S120691.....	S120691
15	Ramp Chock Slide .....	FC134-33.....	FC134-33
16	#10-24NC x 3/4" SLTRUSSHMS.....	40050.....	40050
17	#10-24NC Flg. Whiz-Lock Nut.....	40633.....	40633
18	Triangular Wheel Chock .....	FC320.....	FC320
19	Rolling Jack.....	RJ7000/RJ7000Z.....	RJ7000/RJ7000Z
20	Hydraulic Cylinder.....	S130002.....	S130156
21	Cable Pull Bar .....	S120706.....	S120706
22	Cable Retainer .....	S120068.....	S120068
23	1 3/8"-6NC Hex Nut .....	40771.....	40771
24	1 3/8"-6NC Hex Jam Nut .....	40773.....	40773
25	Front Yoke Weldment.....	S120678.....	S120678
26	Front Yoke Ass'y (Including Latches).....	S110298.....	S110298
27	Rear Yoke Weldment .....	S120684.....	S120684
28	Rear Yoke Ass'y (Including Latches) .....	S110299.....	S110299
29	1Ø Power Unit .....	P3534.....	P3302
	3Ø Power Unit .....	P1523.....	P3347
30	1"-8NC Hex Nut.....	40768.....	40768
31	1"-8NC Hex Jam Nut.....	40767.....	40767
32	1"-8NC Flat Washer .....	41113.....	41113
33	Latch Bar.....	S120028.....	S120028
34	3/4"-10NC Hex Jam Nut.....	40759.....	40759
35	3/4"-10NC Hex Nut.....	40760.....	40760
36	Column.....	S110300.....	S110300
37	Power Unit Column .....	S110301.....	S110301
38	Control Box .....	FA7366.....	FA7366
	Capacitor Box.....	FA7147-1.....	FA7147-1
	Capacitor Box Cover Plate.....	FA7366-1.....	FA7366-1
	Drum Switch.....	FA7364.....	FA7364
	Drum Switch Lever.....	FA7364-1.....	FA7364-1
39	M5 x 45 PHMS, Plated.....	41672.....	41672
40	Column.....	S120687.....	S120687

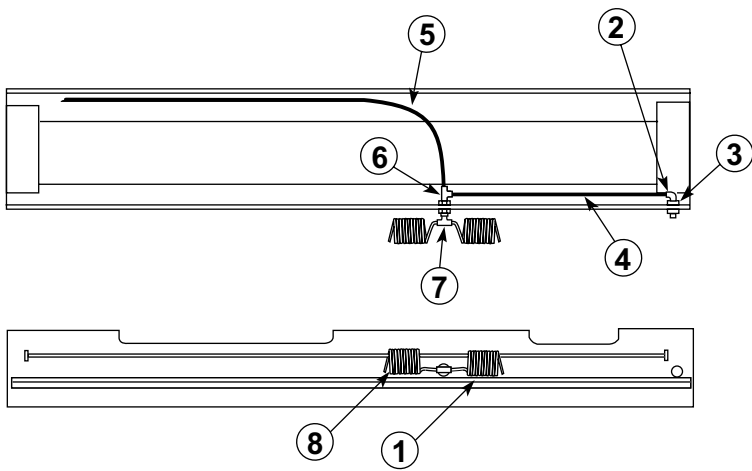


YOKE END DETAIL			YOKE END DETAIL		
ITEM	DESCRIPTION	PART NO.	ITEM	DESCRIPTION	PART NO.
1	5/16"-18NC x 3/4" Lg. Hex Head Cap Screw	40252	14	Latch	FC5706-10
2	Sheave Pin		15	Spacer	FC5706-09
	Standard	FC5224-21	16	3/8" Snap Ring TRUARC #5304-37	41410
	Chrome Plated	FC5728-7	17	Slack Cable Roller	FC553-21
3	Sheave	FC5810-10	18	Kicker	S120103
4	Yoke Sheave Spacer	S130203	19	Extension Spring	FC522-25
5	Slider	FC5706-16	20	Clevis Pin	S130051
6	Nylon Tree Rivet	S130120	21	1/4" Flat Washer	40782
7	Guard	FC5802-18	22	Air Cylinder	
8	Number Not Used	N/A		1-Port	S130061
9	Cotter Pin, 1/8" X 1 1/4"	41201	2-Port	S130017	
10	Latch Shaft	FC5901-7	23	Elbow	FC5224-39
11	Washer	FC5301-98	24	Clevis	FC5706-7
12	1/4" Hairpin Cotter Pin (.05" dia. wire)	41901	25	1/4" -28NF Hex Nut	40622
13	Clevis Pin	S130051			



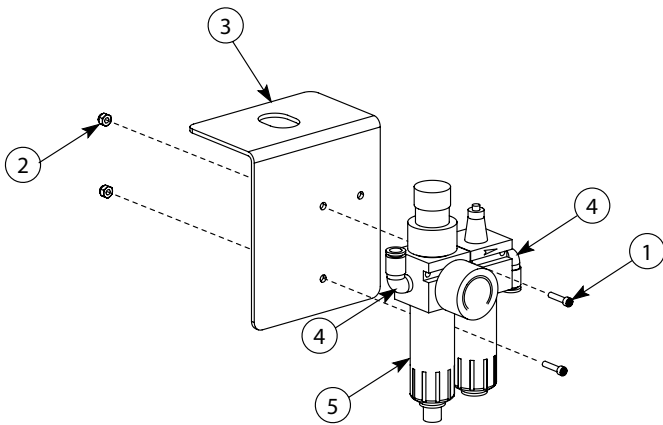
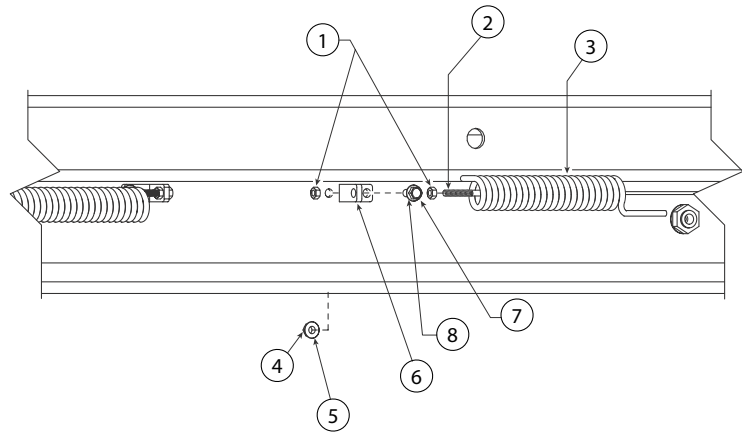
AIR LOCK RELEASE VALVE DETAIL		
ITEM NO.	DESCRIPTION	PART NO.
1	#8 SAE Flat Washer	40788
2	3/8" Plug	FA2230-16
3	Union Tee	FA2242-1
4	1/4" Tubing	FC2230-2
5	Nameplate	NP280
6	Control Ass'y.	T140073
7	Swivel Elbow	T140074
8	Filter / Muffler	T140075
9	3/8" tubing (40ft roll)	FA2230-15
10	Air Lock Handle	T140119
11	Control Bracket 1Ø	S110274
	Control Bracket 3Ø	S110286
12	#8-32NC x 1-1/2" PHMS	40007
13	#8-32NC Nylon Locknut	40649
14	M5 x 0.8 PHMS 3Ø	41549



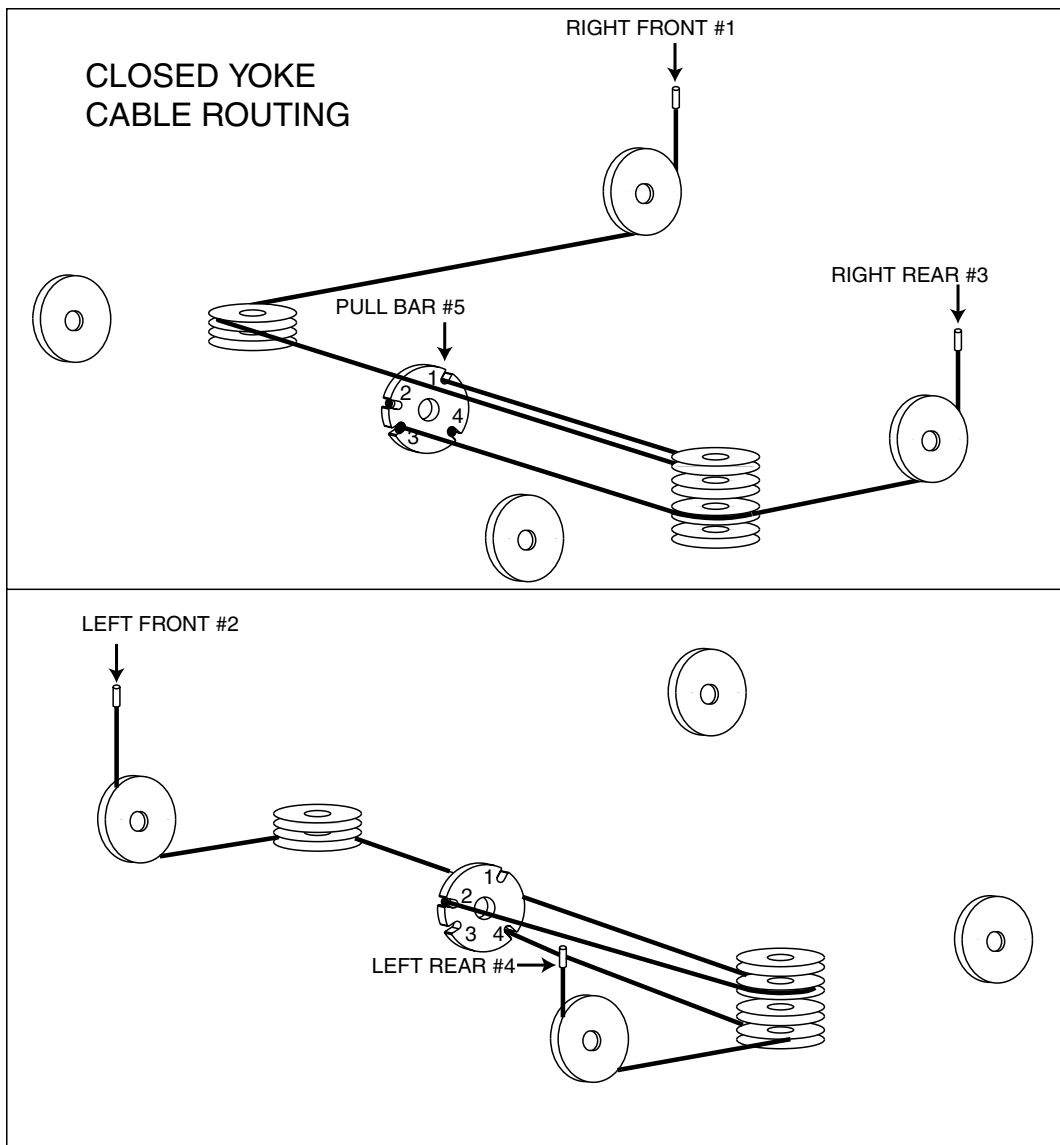


INTERNAL AIRLINE PARTS			
ITEM NO.	DESCRIPTION	PART NO.	
		SHORT	L, EL MODEL
1	Front Recoil Hose	FC147-14	FC147-14
2	Male Elbow	FC147-7	FC147-7
3	Female Bulkhead	FC147-1	FC147-1
4	Runway Tubing	FC147-6	FC147-6
5	Tubing	FC5313-2	FC5313-2
6	Male Run Tee	FC147-3	FC147-3
7	Male Branch Tee	FC147-5	FC147-5
8	Rear Recoil Hose	FC147-14	S130160

Retainer Cable Detail			
ITEM NO.	DESCRIPTION	PART NO.	
		SHORT	L, EL MODELS
1	1/4" x 20NC Hex Nut	40625	40625
2	Rear Airline Retainer Cable	XS130063	S130159
	Front Airline Retainer Cable	XS130063	XS130063
3	Recoil Hose	-	-
4	3/8" Nut	40660	40660
5	3/8" Lockwasher	40845	40845
6	Retainer Bracket	FC147-9	FC147-9
7	3/8"-16NC x 3/4" Lg. HHCS	40130	40130
8	3/8" Flat Washer	40820	40820

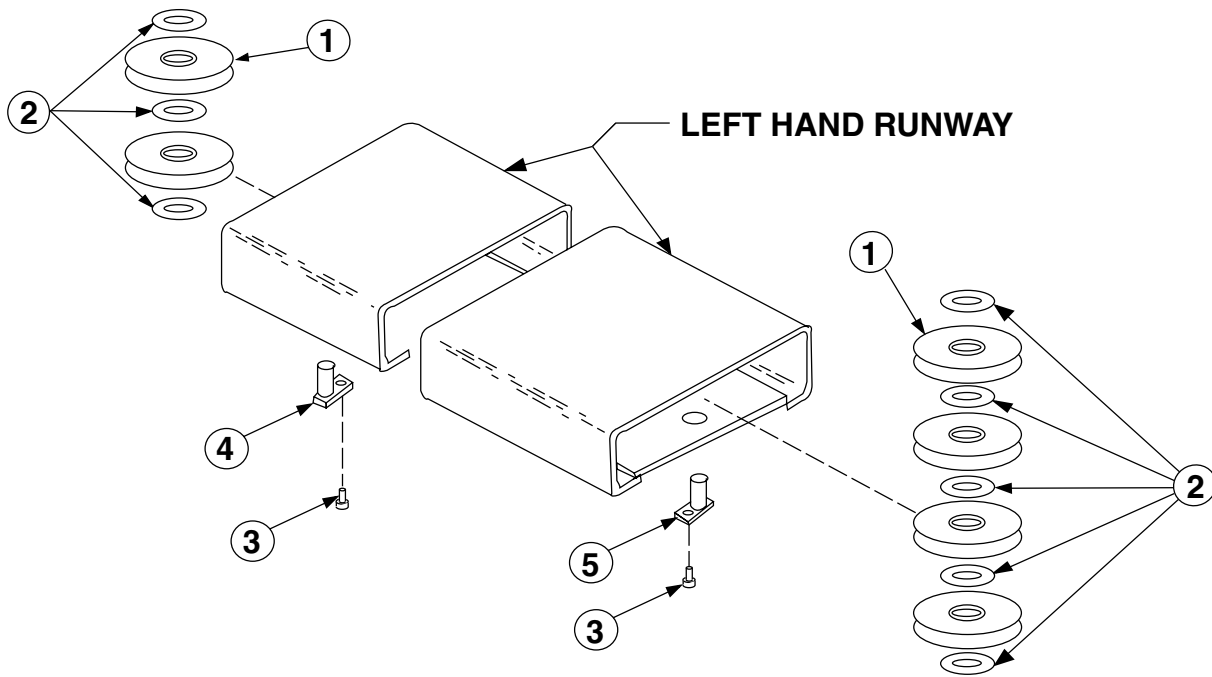


FRL DETAIL		
ITEM NO.	DESCRIPTION	PART NO.
1	#10-24 x 3/4" Hex SHCS	AP00027
2	#10-24 Nylon Lock Nut	40811
3	Adapter Bracket	S120674
4	Elbow	FC147-7
5	Filter/Regulator/Lubricator	S130080



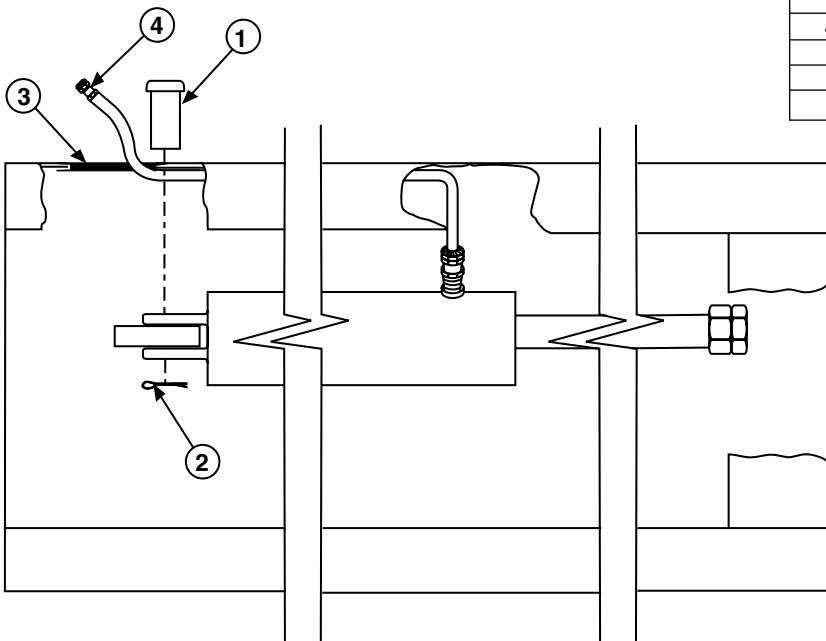
CABLES		PART NO.					
		SM/AR14			SM/AR14NB		
ITEM NO.	DESCRIPTION	158 1/2"	182"/192"	212"	158 1/2"	182"/192"	212"
1	Right Front Cable AR Series	S130174	S130170	S130166	S130188	S130184	S130180
	Right Front Cable SM Series	S130174	S130197	S130195	S130188	S130201	S130199
2	Left Front Cable AR Series	S130173	S130169	S130165	S130187	S130183	S130179
	Left Front Cable SM Series	S130173	S130196	S130194	S130187	S130200	S130198
3	Right Rear Cable	S130164	S130164	S130164	S130178	S130178	S130178
4	Left Rear Cable	S130163	S130163	S130163	S130177	S130177	S130177
5	Pull Bar	S120706	S120706	S120706	S120706	S120706	S120706

\* CABLE RETAINER NOT SHOWN TO CLARIFY ILLUSTRATION OF CABLE ROUTING



SHEAVE DETAIL		
ITEM NO.	DESCRIPTION	PART NO.
1	Sheave	FC5810-10
2	Plastic Bearing	FC5225-17
3	5/16"-18NC HHCS x 3/4" Lg.	40401
4	Front Sheave Pin (Standard)	FC555-1
	Front Sheave Pin (Chrome)	FC5728-7
5	Rear Sheave Pin (Standard)	S120675
	Rear Sheave Pin (Chrome)	S120676

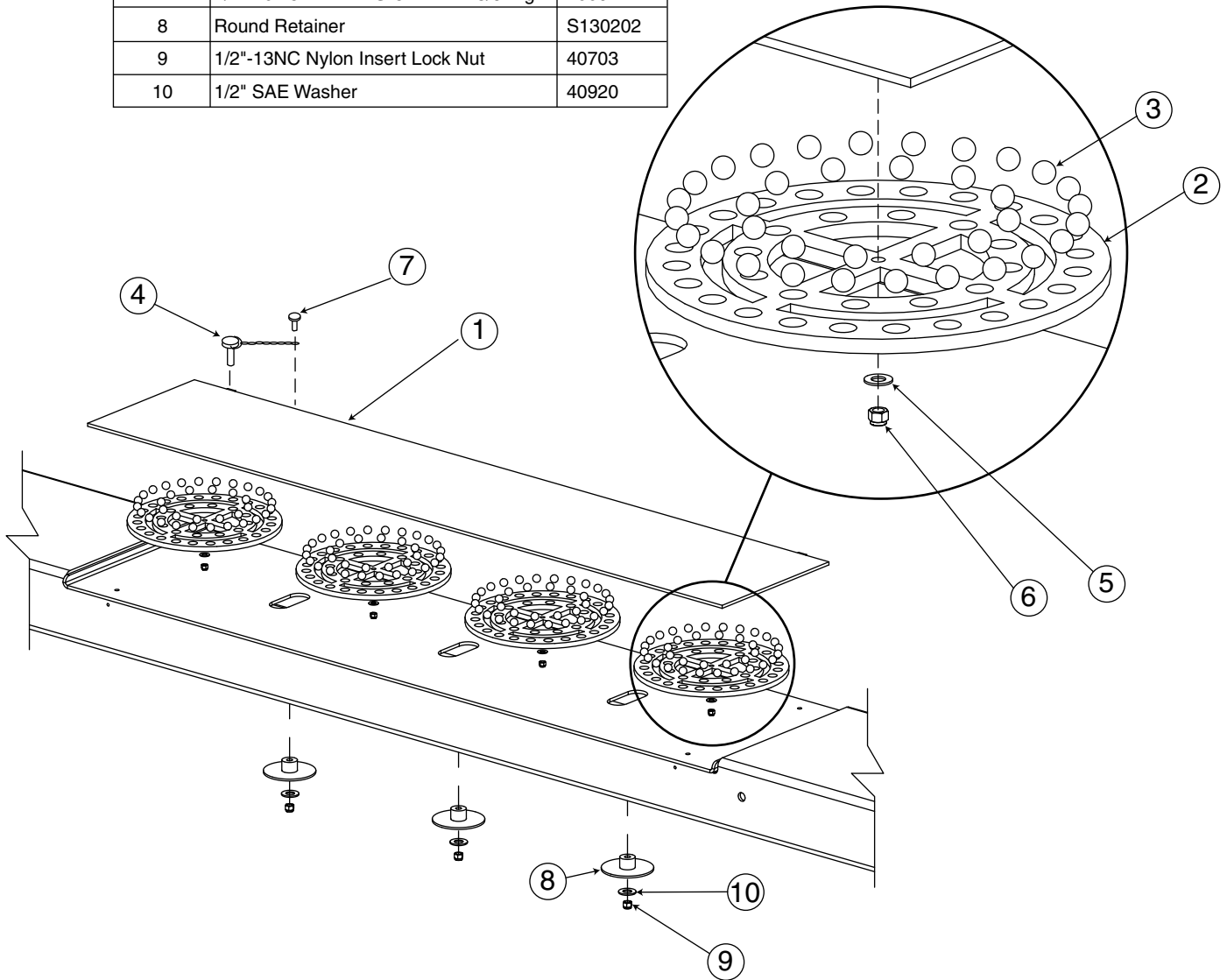
HYDRAULIC HOSE DETAIL			
ITEM NO.	DESCRIPTION	ITEM NO.	ITEM NO.
1	Clevis Pin	FC5346-1	S130158
2	3/16" x 1-1/4" Lg. Cotter Pin	41247	41247
3	Grommet	2 1/2" Hole	S130015
		1 1/2" Hole	S130063
4	Hose		
	"S" Model	S130149	S130149
	"L" Model	S130148	S130154
	"EL2" Model	S130150	S130155





4 WS SLIP PLATE PARTS		
ITEM NO.	DESCRIPTION	PART NO.
1	Slip Plate Weldment	S120775
2	Ball Retainer Assembly	FC5190-31
3	Ball	FC5190-7
4	Lock Pin Assembly	FC5283
5	3/8" SAE Washer	40805
6	3/8"-16NC Nylon Insert Jam Nut	40657
7	1/4"-20NC PNHDMS CD PLT x 3/8" Lg.	40067
8	Round Retainer	S130202
9	1/2"-13NC Nylon Insert Lock Nut	40703
10	1/2" SAE Washer	40920

Slip Plate Rebuild Kit S100084  
 Includes: (4) Ball Retainer Assembly FC5190-31  
 (144) Balls, FC5190-7  
 (4) 3/8" SAE Washer  
 (4) 3/8"-16 Nylon Insert Jam Nut  
 (3) Round Retainer  
 (3) 1/2"-13 Nylon Insert Lock Nut  
 (3) 1/2" SAE Washer



## NOTES

## NOTES

---

**Rotary World Headquarters**

2700 Lanier Drive  
Madison, IN 47250, USA  
[www.rotarylif.com](http://www.rotarylif.com)

**North America Contact Information**

Tech. Support: p 800.445.5438  
f 800.578.5438  
e [userlink@rotarylif.com](mailto:userlink@rotarylif.com)  
Sales: p 800.640.5438  
f 800.578.5438  
e [userlink@rotarylif.com](mailto:userlink@rotarylif.com)

**World Wide Contact Information**

World Headquarters/USA: 1.812.273.1622  
Canada: 1.905.812.9920  
European Headquarters/Germany: +49.771.9233.0  
United Kingdom: +44.178.747.7711  
Australasia: +60.3.7660.0285  
Latin America / Caribbean: +54.3488.431.608  
Middle East / Northern Africa: +49.771.9233.0

© Rotary®, Printed in U.S.A., All Rights Reserved. Unless otherwise indicated, ROTARY, DOVER and all other trademarks are property of Dover Corporation and its affiliates.



A  DOVER COMPANY

