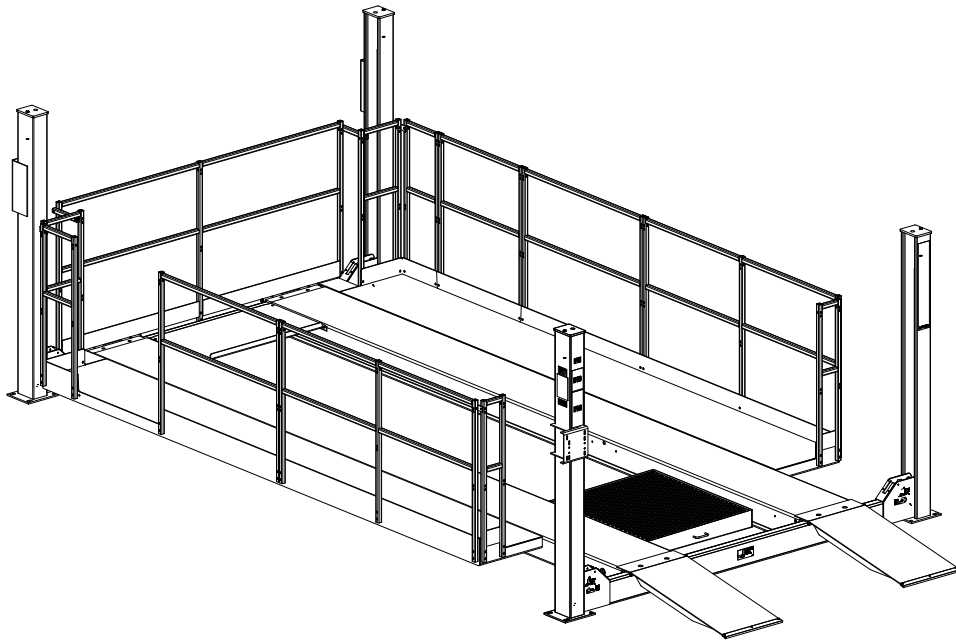




QL12

Four Post Surface Mounted Lift
Capacity 12,000 lbs. (6,000 lbs. per axle)



P
A
R
T
S

B
R
E
A
K
D
O
W
N

IMPORTANT: When ordering parts or requesting service always give exact model and power unit serial number. Model number is shown on nameplate attached to air lock release valve. Power unit serial number is located on side of power unit.

OWNERS RECORD
Complete information
at right and keep in
a safe place.

Date Installed _____

Installed in Bay # _____

Power Unit Serial # _____

Power Unit Model # _____

Lift Serial # _____

Lift Model # _____

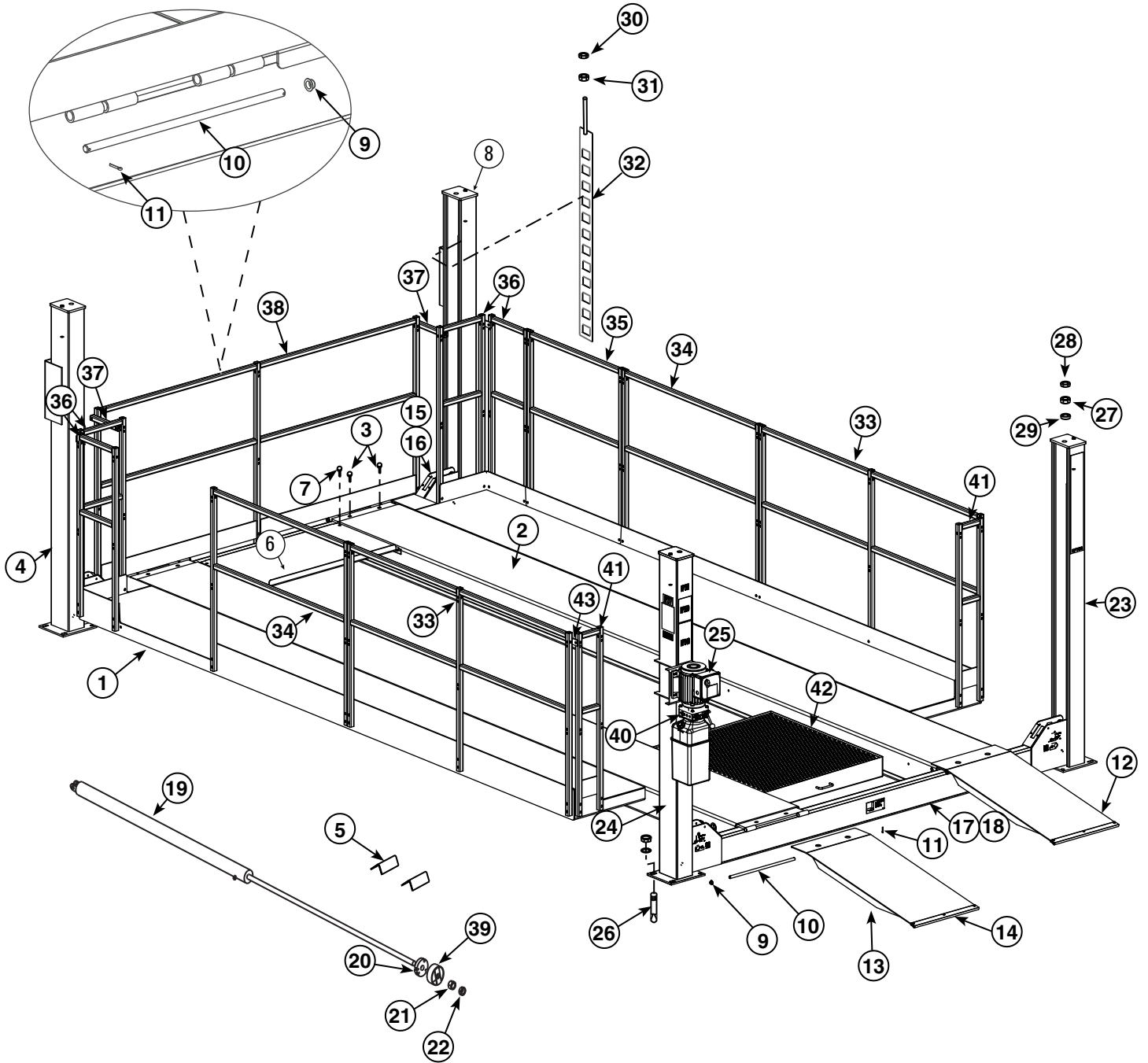
NOTE: For replacement parts -See your nearest Rotary Parts Distributor.

PB2-3-5-8

Rev. - 3/25/2009

QL12X01X MODELS		
LIFT MODEL	Left Runway Assembly (Includes Cylinders, Cables, and Sheaves)	Right Runway Weldment
L (182-1/2" Wheel Base) No Ladder	S110375	S120890
EL2 (206-1/2" Wheel Base) No Ladder	S110374	S120889

Lower Rail Attachment

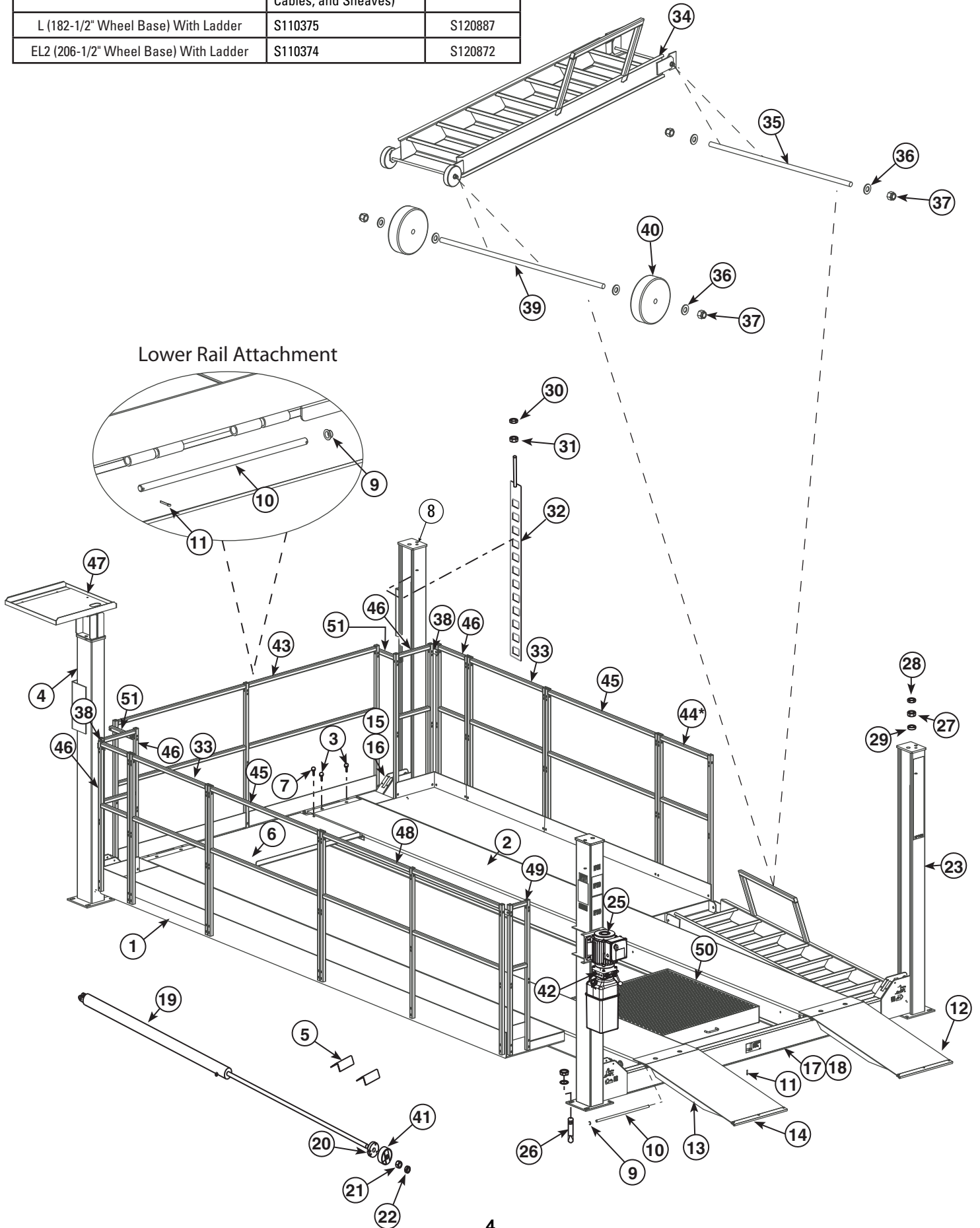


ITEM	DESCRIPTION	PART NO.
1	Left Hand Runway Assembly (Includes: cylinder, cables and sheaves)	See Chart
2	Right Hand Runway Assembly	See Chart
3	1/2"-13NC x 1 1/4" Flg. Whiz-Lock HHCS ZPL	40279
4	Left Front Column	S120879
5	Triangular Wheel Chock	FC320
6	Center Manway	S120945
7	3/8" -16NC Hex Head Cap Screw x 1" Lg. Bolt	40140
	3/8" -16NC Hex Nut	40657
	3/8" - Flat Washer (2 req.'d)	40820
8	Right Front Column	S120878
9	5/8" Push-nut Fastener-TRW #PW625019 (or equal)	FC5179-4
10	Hinge Pin	FC134-99
11	5/32" x 1" Cotter Pin	41202
12	Ramp Assembly (Standard)	S110302
13	Ramp Assembly (Extended)	S110303
14	Ramp Chock Slide	FC134-33
15	Front Yoke Weldment	S120678
16	Front Yoke Assembly (Includes Latches)	S120298
17	Rear Yoke Weldment	S120684
18	Rear Yoke Assembly	S110299
19	Hydraulic Cylinder	S130002
20	Cable Pull Bar	S120706
21	1 3/8"-6NC Hex Nut	40771
22	1 3/8"-6NC Hex Jam Nut	40773
23	Right Rear Column	S120687
24	Power Unit Column	S120862
25	Power Unit	
	1ø	P3509
	3ø	P3523
26	5/8" Anchor Bolt	FC5228
27	7/8"-9NC Hex Nut	40765
28	7/8"-9NC Hex Jam Nut	40766
29	7/8" Flat Washer	41073
30	3/4"-10NC Hex Jam Nut	40759
31	3/4"-10NC Hex Nut	40760
32	Latch Bar	S120028
33	82-1/2" Walkway Rail	S120881
34	51" Rail	S120886
35	35-3/8" Rail	S120941
36	14-3/8" Rail	S120883
37	10-1/4" Close Out Rail	S120897
38	100-3/4" Front Rail	S120864
39	Cable Retainer	S120068
40	Elbow	P1028-4
41	7-3/8" Crossover Rail	221820

42	Oil Drain Pan	FC5967
43	Corner Bracket	S120898
Rail Hardware		
	3/8" x 2" HHCS	40206
	3/8" x 3" HHCS	912121
	3/8" Flat Washer	40820
	3/8" Lock Washer	40800
	3/8" Hex Nut	40659

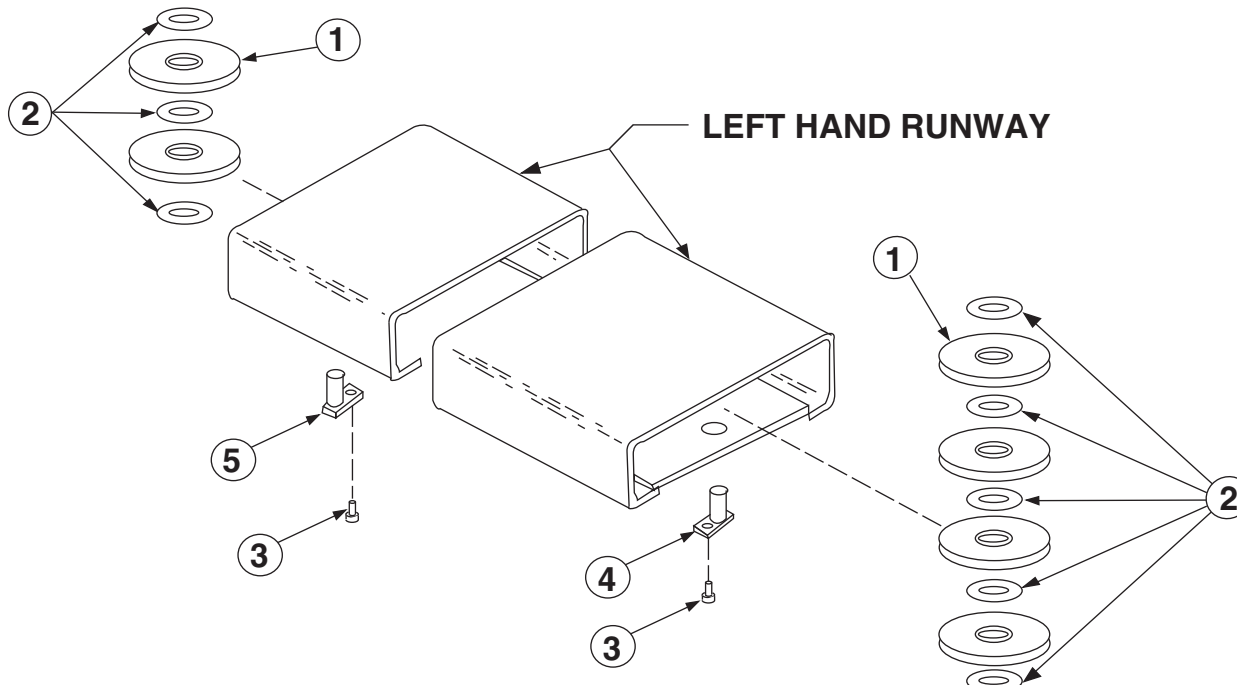
QL12X00X MODELS

LIFT MODEL	Left Runway Assembly (Includes Cylinders, Cables, and Sheaves)	Right Runway Weldment
L (182-1/2" Wheel Base) With Ladder	S110375	S120887
EL2 (206-1/2" Wheel Base) With Ladder	S110374	S120872

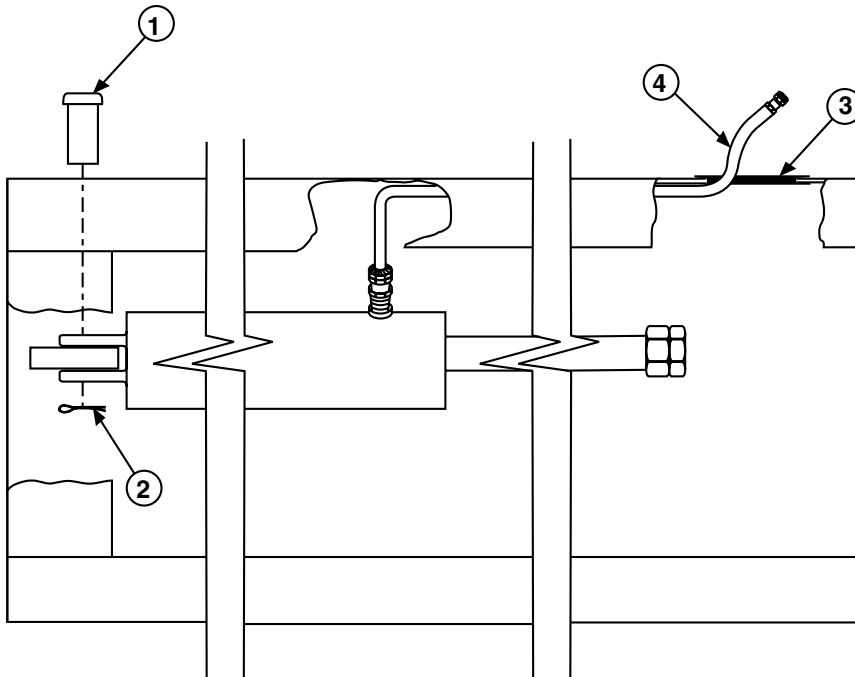


ITEM	DESCRIPTION	PART NO.
1	Left Hand Runway Assembly (Includes: cylinder, cables and sheaves)	See Chart
2	Right Hand Runway Assembly	See Chart
3	1/2"-13NC x 1 1/4" Flg. Whiz-Lock HHCS ZPL	40279
4	Left Front Column	S120879
5	Triangular Wheel Chock	FC320
6	Center Manway	S120945
7	3/8" -16NC Hex Head Cap Screw x 1" Lg. Bolt	40140
	3/8" -16NC Hex Nut	40657
	3/8" - Flat Washer (2 req.'d)	40820
8	Right Front Column	S120878
9	5/8" Push-nut Fastener-TRW #PW625019 (or equal)	FC5179-4
10	Hinge Pin	FC134-99
11	5/32" x 1" Cotter Pin	41202
12	Ramp Assembly (Standard)	S110302
13	Ramp Assembly (Extended)	S110303
14	Ramp Chock Slide	FC134-33
15	Front Yoke Weldment	S120678
16	Front Yoke Assembly (Includes Latches)	S120298
17	Rear Yoke Weldment	S120684
18	Rear Yoke Assembly	S110299
19	Hydraulic Cylinder	S130002
20	Cable Pull Bar	S120706
21	1 3/8"-6NC Hex Nut	40771
22	1 3/8"-6NC Hex Jam Nut	40773
23	Right Rear Column	S120687
24	Power Unit Column	S120862
25	Power Unit	
	1ø	P3509
	3ø	P3523
26	5/8" Anchor Bolt	FC5228
27	7/8"-9NC Hex Nut	40765
28	7/8"-9NC Hex Jam Nut	40766
29	7/8" Flat Washer	41073
30	3/4"-10NC Hex Jam Nut	40759
31	3/4"-10NC Hex Nut	40760
32	Latch Bar	S120028
33	35-3/8" Rail	S120941
34	Ladder Weldment	032401
35	Pivot Rod Assembly	032417
36	1/2" Washer	
37	1/2" Nylon Lock Nut	
38	Corner Bracket	S120898
39	Wheel Rod	0302418
40	4" x 1-1/4" Wheel	991191
41	Cable Retainer	S120068

42	Elbow	P1028-4
43	100-3/4" End Rail	S120864
44	24" Rail* (EL2 Only)	S120445
45	51" Rail	S120886
46	14-3/8" Rail	S120883
47	Vacuum Weldment (Optional)	S120961
48	82-1/2" Rail	S120881
49	7-7/8" Rail	221820
50	Oil Pan Drain	FC5967
51	Closeout Rail	S120897
Rail Hardware		
	3/8" x 2" HHCS	40206
	3/8" x 3" HHCS	912121
	3/8" Flat Washer	40820
	3/8" Lock Washer	40800
	3/8" Hex Nut	40659

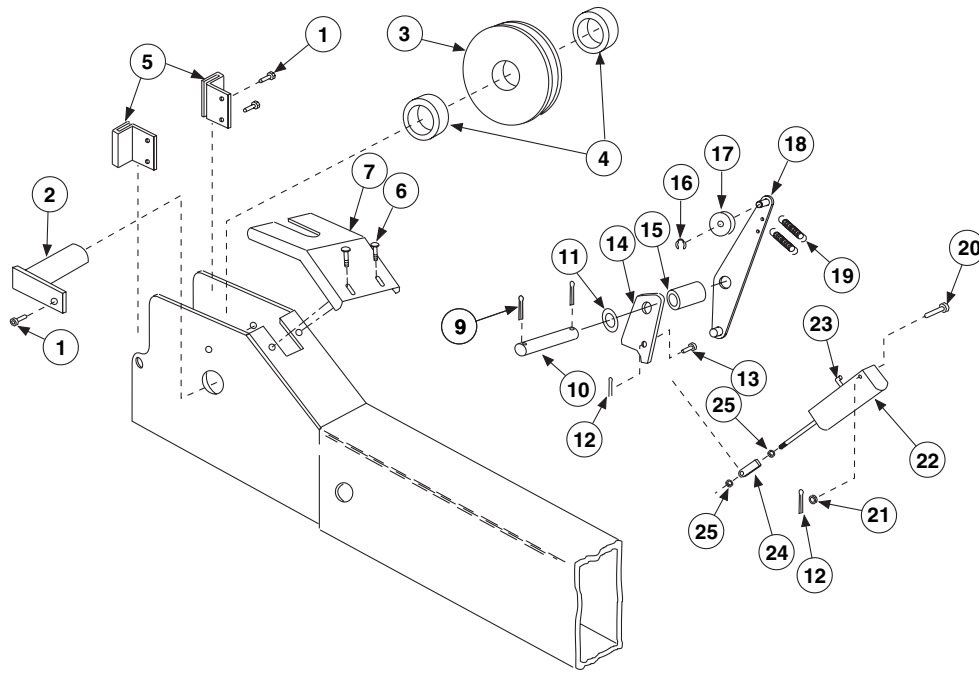


SHEAVE DETAIL		
ITEM NO.	DESCRIPTION	PART NO.
1	Sheave	FC5804-2
2	Plastic Bearing	FC5843-3
3	5/16"-18NC HHCS x 3/4" Lg.	40252
4	Rear Sheave Pin	5120676
5	Front Sheave Pin	FC5728-7

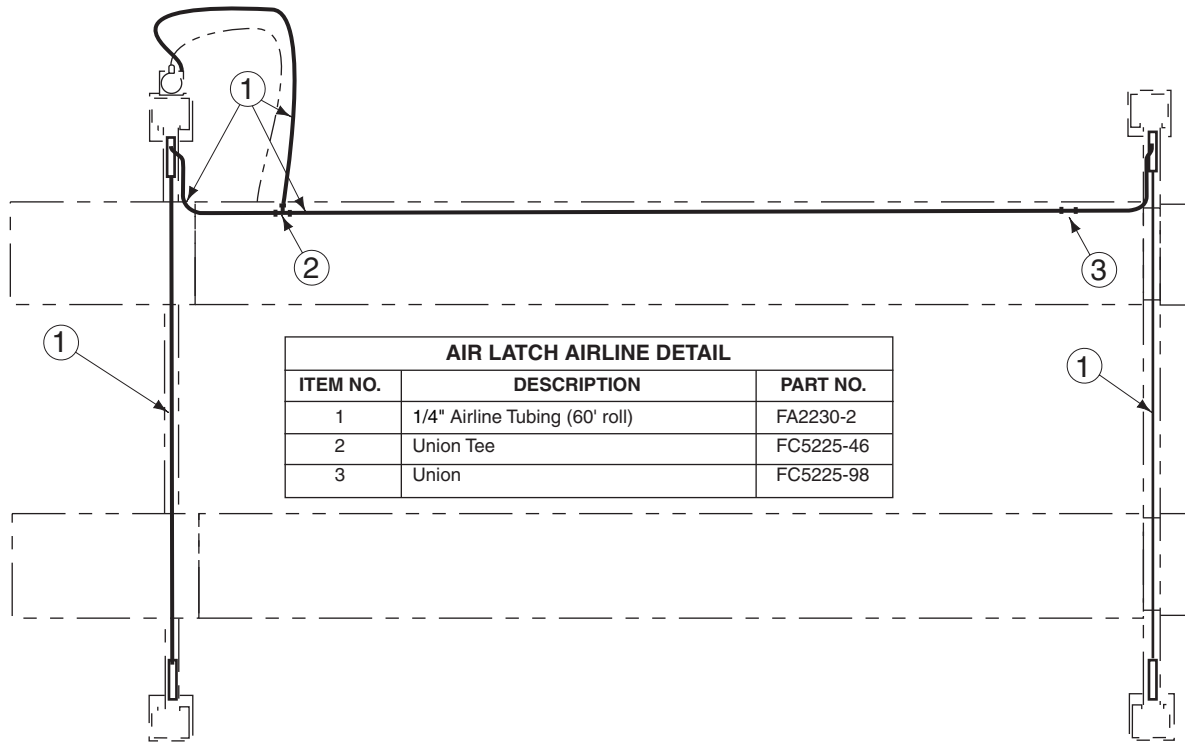


HYDRAULIC HOSE DETAIL			
ITEM #	DESCRIPTION	PRODUCT #	
1	Clevis Pin	FC5346-1	
2	3/16" x 1-1/4" Lg. Cotter Pin	41247	
3	Grommet	2 1/2" Hole	S130015
		1 1/2" Hole	S130063
4	Hose	S130012	

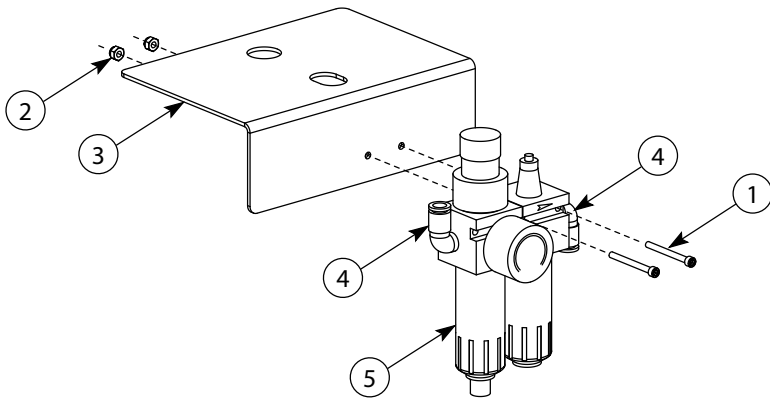
Illustration is view of underside of Left Hand Runway.



YOKE END DETAIL			YOKE END DETAIL		
ITEM	DESCRIPTION	PART NO.	ITEM	DESCRIPTION	PART NO.
1	5/16"-18NC x 3/4" Lg. Hex Head Cap Screw	40252	14	Latch	FC5706-10
2	Sheave Pin		15	Spacer	FC5706-09
	Standard	FC5224-21	16	3/8" Snap Ring TRUARC #5304-37	41410
	Chrome Plated	FC5728-7	17	Slack Cable Roller	FC553-21
3	Sheave	FC5810-10	18	Kicker	S120103
4	Yoke Sheave Spacer	S130203	19	Extension Spring	FC522-25
5	Slider	FC5706-16	20	Clevis Pin	S130051
6	Nylon Tree Rivet	S130120	21	1/4" Flat Washer	40782
7	Guard	FC5802-18	22	Air Cylinder	
8	Number Not Used	N/A		1-Port	S130061
9	Cotter Pin, 1/8" X 1 1/4"	41201		2-Port	S130017
10	Latch Shaft	FC5901-7	23	Elbow	FC5224-39
11	Washer	FC5301-98	24	Clevis	FC5706-7
12	1/4" Hairpin Cotter Pin (.05" dia. wire)	41901	25	1/4" -28NF Hex Nut	40622
13	Clevis Pin	S130051			

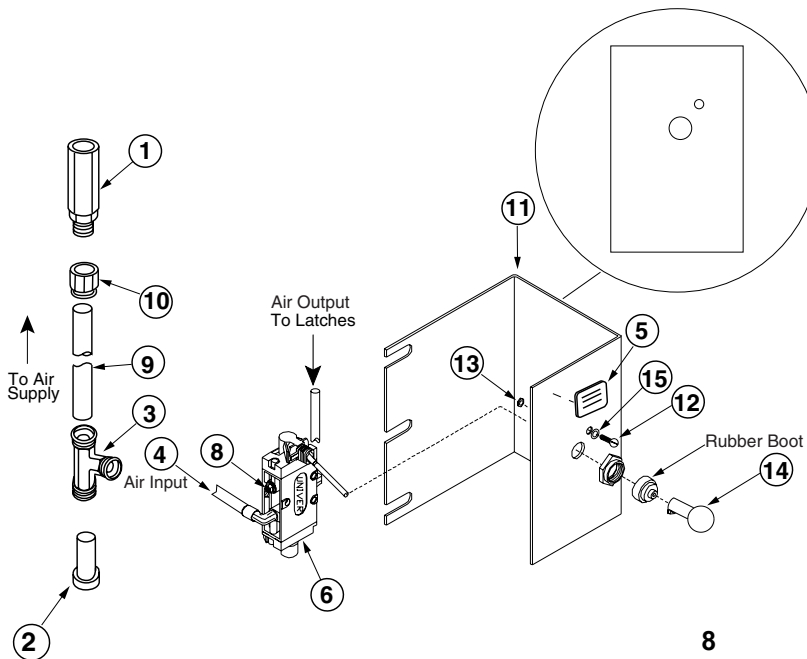


AIR LATCH AIRLINE DETAIL		
ITEM NO.	DESCRIPTION	PART NO.
1	1/4" Airline Tubing (60' roll)	FA2230-2
2	Union Tee	FC5225-46
3	Union	FC5225-98

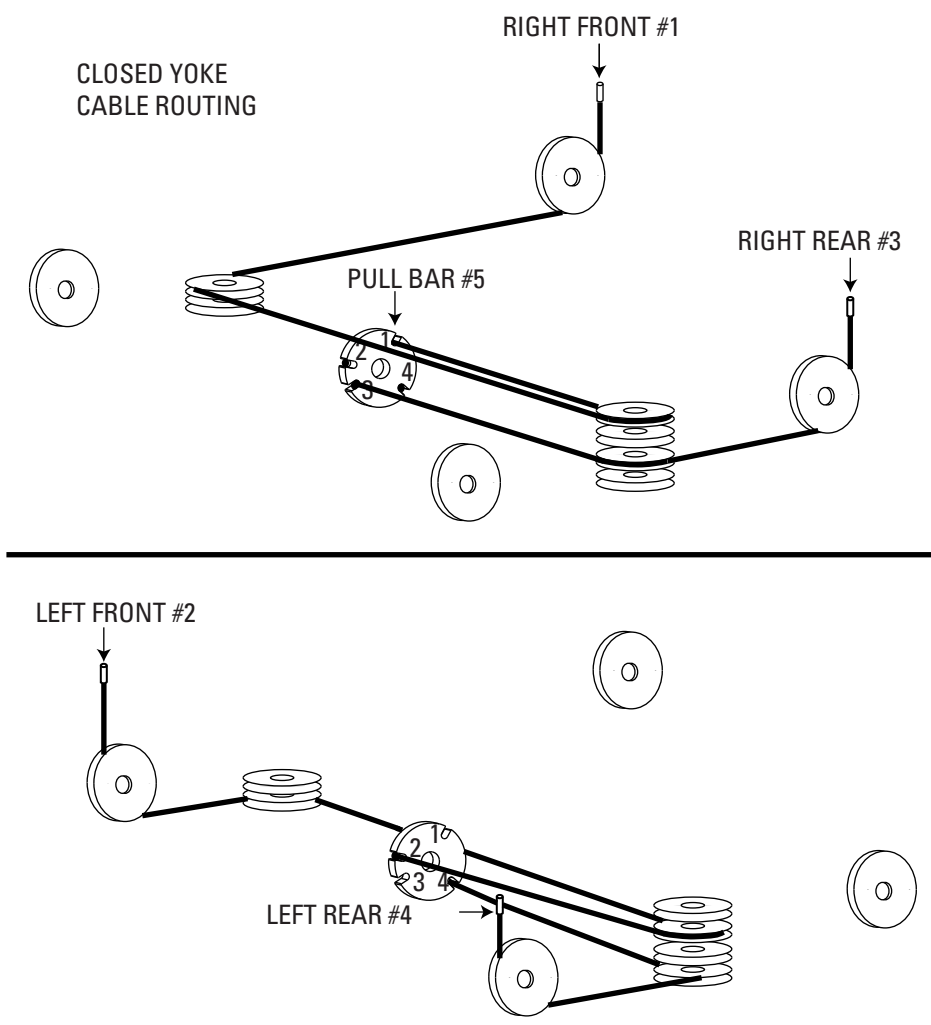


FRL DETAIL		
ITEM NO.	DESCRIPTION	PART NO.
1	#8-32 x 1-3/4" Hex SHCS	40432
2	#8-32 Nylon Lock Nut	40649
3	Adapter Bracket	S120569
4	Elbow	FC147-7
5	Filter/Regulator/Lubricator	S130065

OPTIONAL MOUNTING ON SIDE



AIR LOCK RELEASE VALVE DETAIL		
ITEM NO.	DESCRIPTION	PART NO.
1	Valve	FA3134-12
2	3/8" Plug	FA2230-16
3	Union Tee	FA2242-1
4	1/4" Tubing (50' roll)	FA2230-2
5	Nameplate	NP280
6	Control Assembly	T140073
7	Elbow	FC5341-90
8	Filter/Muffler	T140075
9	3/8" Tubing (40 Ft. Roll)	FA2230-15
10	Female Connector	FA3134-13
11	Air Valve Bracket	S120457
12	#8-32NC x 1-1/2" Screw	40007
13	#8-32 Nut	40637
14	Handle	T140119
15	#8 Flat Washer	40788



ITEM NO.	CABLES DESCRIPTION	PART NO.	
		182"	206 1/2"
1	Right Front Cable	S130197	S130195
2	Left Front Cable	S130196	S130194
3	Right Rear Cable	S130164	S130164
4	Left Rear Cable	S130163	S130163
5	Pull Bar	S120706	S120706

* CABLE RETAINER NOT SHOWN TO CLAIRIFY ILLUSTRATION OF CABLE ROUTING

NOTES

NOTES

Rotary World Headquarters

2700 Lanier Drive
Madison, IN 47250, USA
www.rotarylif.com

North America Contact Information

Tech. Support: p 800.445.5438
f 800.578.5438
e userlink@rotarylif.com
Sales: p 800.640.5438
f 800.578.5438
e userlink@rotarylif.com

World Wide Contact Information

World Headquarters/USA: 1.812.273.1622
Canada: 1.905.812.9920
European Headquarters/Germany: +49.771.9233.0
United Kingdom: +44.178.747.7711
Australasia: +60.3.7660.0285
Latin America / Caribbean: +54.3488.431.608
Middle East / Northern Africa: +49.771.9233.0

© Rotary®, Printed in U.S.A., All Rights Reserved. Unless otherwise indicated, ROTARY, DOVER and all other trademarks are property of Dover Corporation and its affiliates.



A **DOVER** COMPANY

