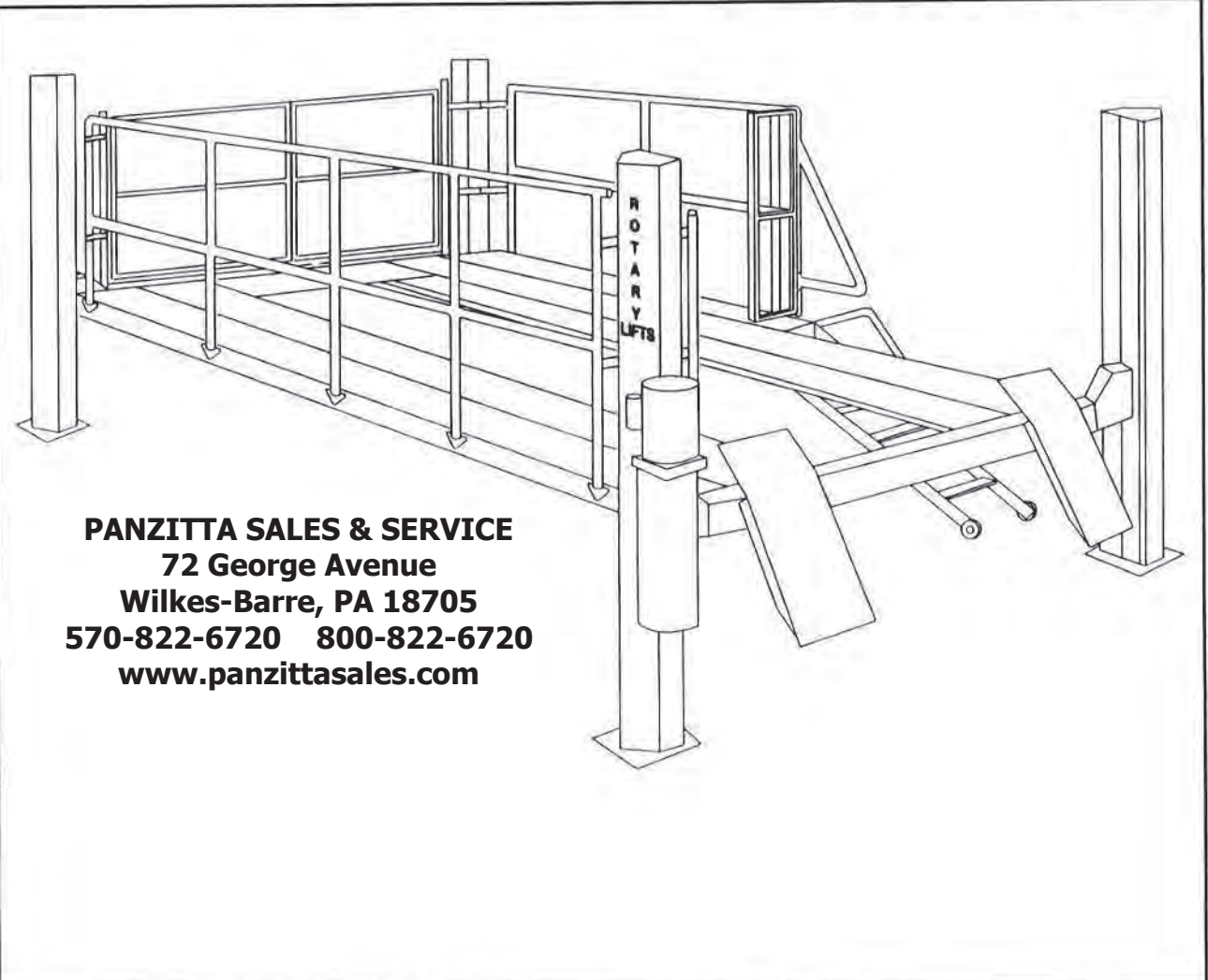


# MODEL QL4P & QL4P-DT PARTS BREAKDOWN



**PANZITTA SALES & SERVICE**  
**72 George Avenue**  
**Wilkes-Barre, PA 18705**  
**570-822-6720 800-822-6720**  
**www.panzittasales.com**

**IMPORTANT:** When ordering parts or requesting service, always give exact model and power unit serial number. Model number is shown on nameplate attached to power unit column. Power unit serial number is located on side of reservoir.

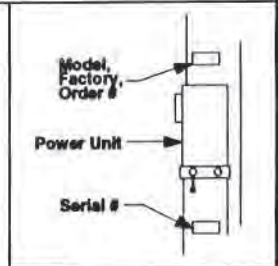
**NOTES:**

Beginning 3/4/93 with #046, Quick Lube lifts were equipped with the Venix Square Air Cylinder Assembly.

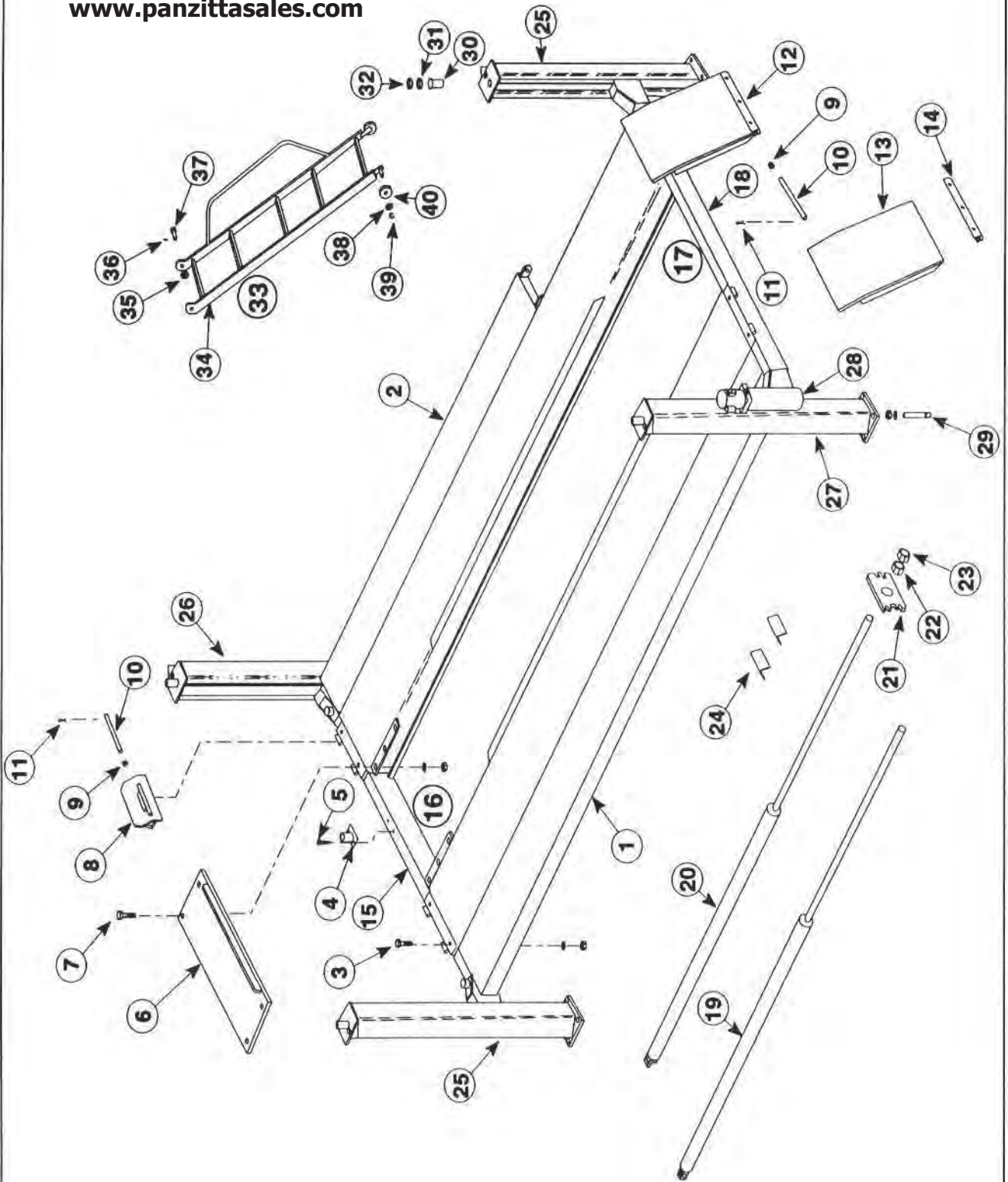
**OWNER'S RECORD**

Complete information at right and keep in a safe place.

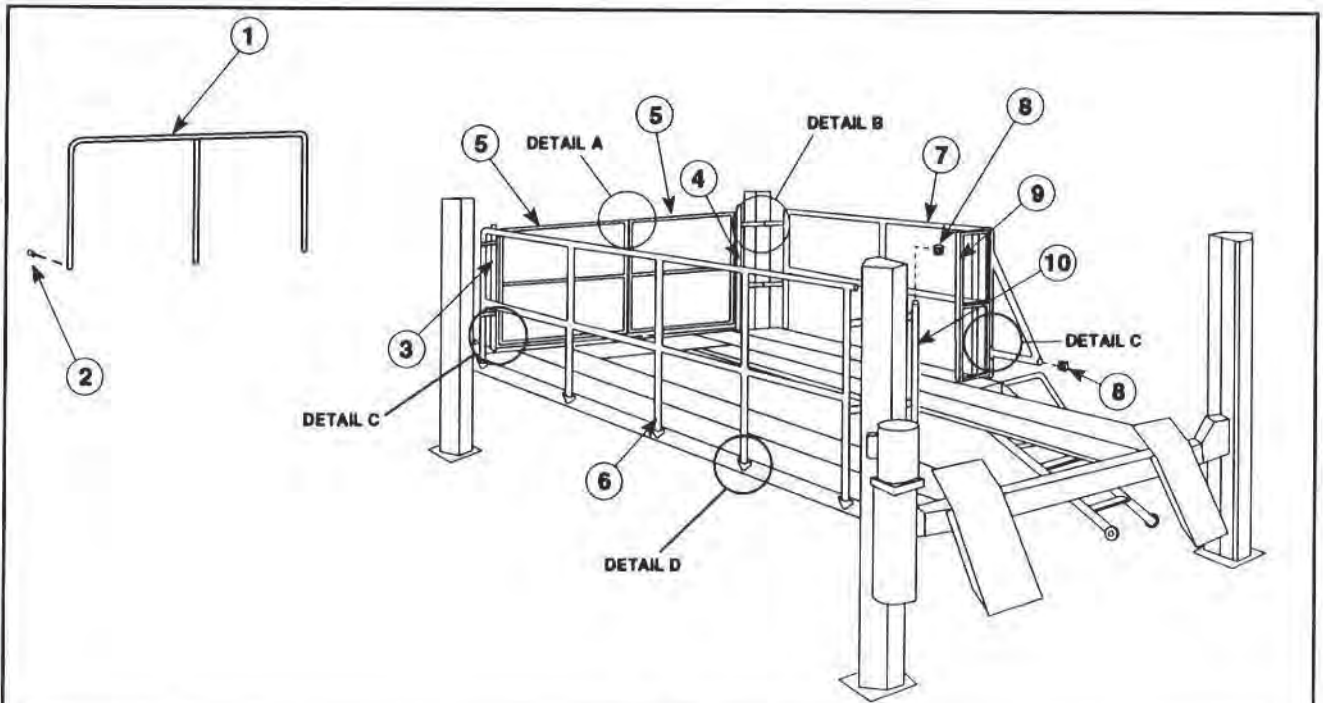
Date Installed \_\_\_\_\_ / \_\_\_\_\_ / \_\_\_\_\_  
Installed in Bay # \_\_\_\_\_  
Std. Serial # \_\_\_\_\_ P614  
Factory Order # \_\_\_\_\_  
Model # \_\_\_\_\_



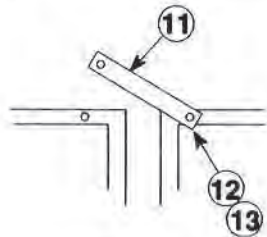
**PANZITTA SALES & SERVICE**  
72 George Avenue  
Wilkes-Barre, PA 18705  
570-822-6720 800-822-6720  
www.panzittasales.com



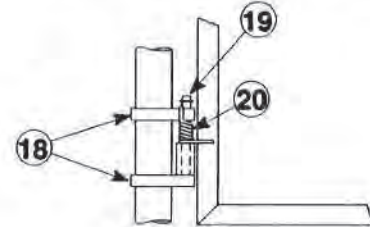
REPLACEMENT PARTS		
ITEM NO.	DESCRIPTION	PART NO.
1	Left Hand Runway Assembly (Includes cylinder, cables and sheaves)	FC5439
2	Right Hand Runway Assembly	FC5438
3	1/2"-13NC x 1" HHCS (High Strength)	40260
4	Center Support (QL4P only)	FC5459-1
5	1/2" x 1" Flange Head Bolts	40282
6	Center Manway	FC5239
7	3/8" -16NC Hex Head Cap Screw x 1" Lg. Bolt	40140
	3/8" -16NC Hex Nut	40660
8	Wheel Stop	FC134-13
9	5/8" Push-nut Fastener-TRW #PW625019 (or equal)	FC5179-4
10	Hinge Pin	FC134-99
11	5/32" x 1" Cotter Pin	41202
12	Ramp / Chock Assembly (Front and Rear on QL4P-DT)	FC134-12
13	Ramp / Chock	FC134-65
14	Ramp / Chock Slide	FC134-33
15	Front Yoke	FC5315-1
16	Front Yoke Assembly (Includes Latches)	FC5315
17	Rear Yoke	FC5309-1
18	Rear Yoke Assembly (Includes Latches)	FC5309
19	Hydraulic Cylinder (New Style)	FC5342
20	Hydraulic Cylinder (Old Style)	FC542
21	Cable Pull Bar	FC543
22	1 3/8"-6NC Hex Nut	40771
23	1 3/8"-6NC Hex Jam Nut	40773
24	Triangular Wheel Chock	FC320
25	Right Hand Column	FC5146
26	Left Hand Column	FC5145
27	Power Unit Column	FC5232
28	Power Unit (Lifts equipped with interlocks)	P614
	Power Unit Kit for non-interlock QL4P lifts (includes power unit)	single phase
		3-phase
29	5/8" Anchor Bolt	FC5228
30	Spacer	FC5287
31	7/8"-9NC Hex Nut	40765
32	7/8"-9NC Hex Jam Nut	40766
33	Ladder Assembly	FC5238
34	Ladder	FC5238-1
35	1/2" Plain Washer	40940
36	1/8" x 1" Cotter Pin	41200
37	Clevis Pin	FC5238-8
38	1/2" SAE Washer	40920
39	External Retaining Ring	Truarc 5100-50
40	4" x 1 1/4" Wheel	FJ2271-1



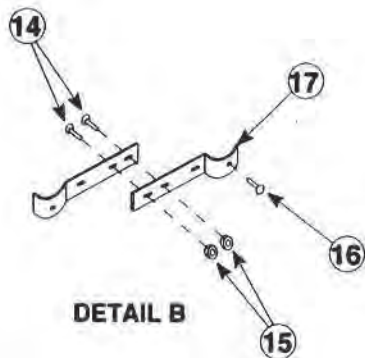
RAILINGS					
ITEM NO.	DESCRIPTION	PART NO.	ITEM NO.	DESCRIPTION	PART NO.
1	Front Railing	FC5444	13	Gate Pin	FC5237-25
2	3/8"-16NC Set Screw x 1/2" Lg.	40125	14	1/4"-20NC x 1/2" Lg. Hex Cap Screw	40062
3	Left Gate Post	FC5466	15	1/4"-20NC Hex Flanged Lock Nut	40641
4	Right Gate Post	FC5469	16	1/4"-20NC x 1/2" Lg. Hex Tapping Screw	40067
5	Gate Section	FC5237-15	17	Adjustable Strap	FC5470
6	Long Railing	FC5509	18	Pin Fitting	Kee Klamp #83-7
7	Short Railing	FC5510	19	Push Nut	FC5503
8	Plastic Plug	Kee Klamp #77-7	20	Gate Torsion Spring	FC5237-27
9	Small Gate	FC5237-8	21	3/8"-16NC Hex Cap Screw x 1" Lg.	40140
10	Rear Post	FA574-1	22	3/8" Ext. Tooth L.W.	40845
11	Gate Latch	FC5237-31	23	3/8"-16NC Hex Nut	40660
12	Push Nut	FC5503			



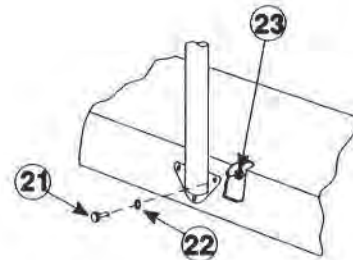
DETAIL A



DETAIL C



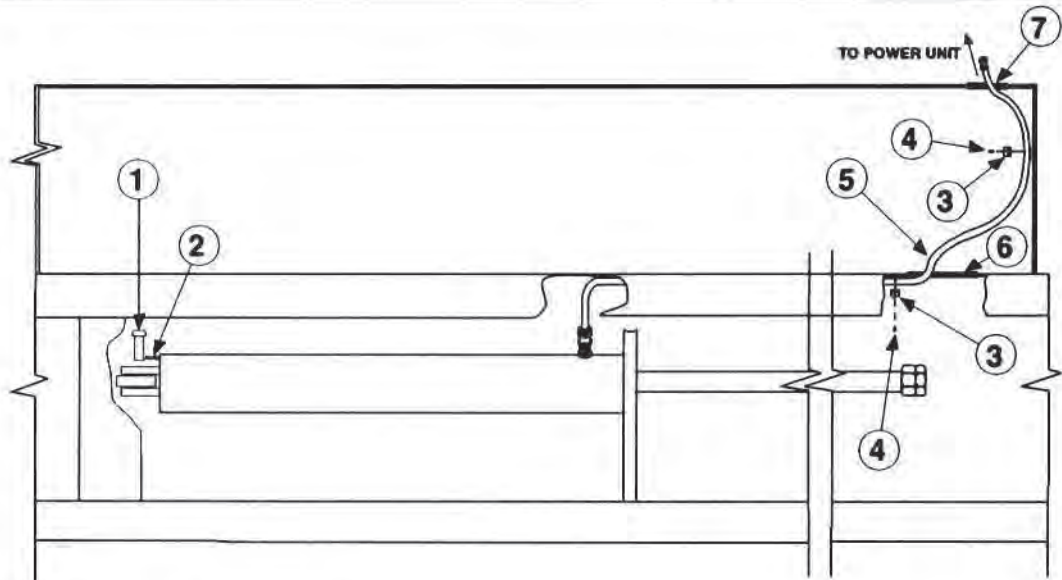
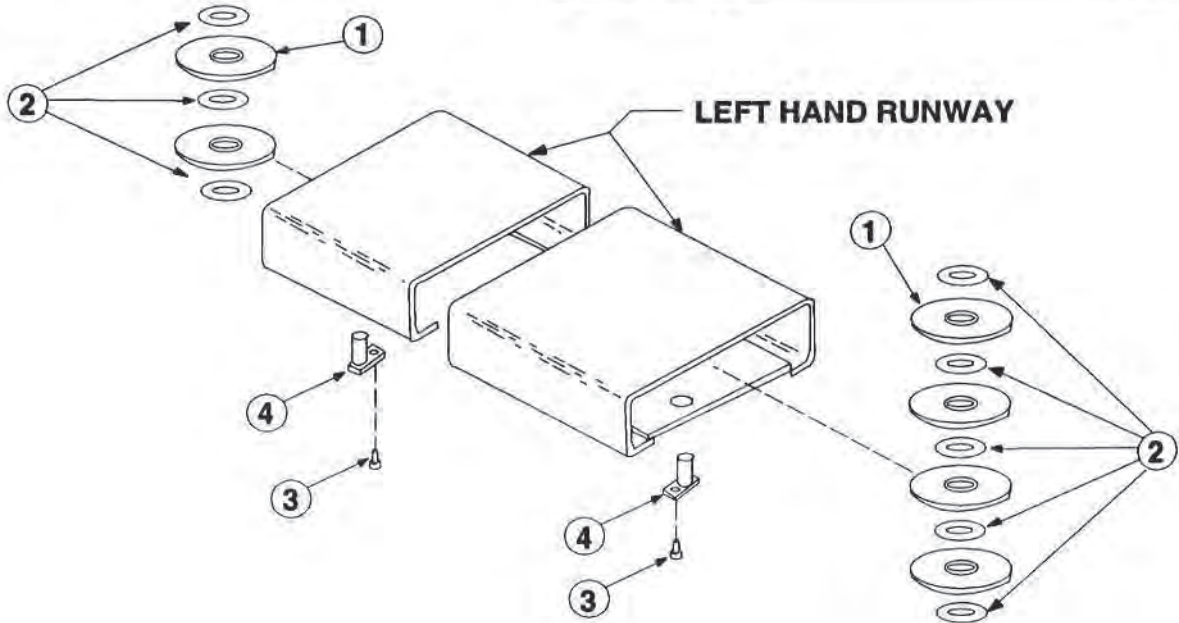
DETAIL B



DETAIL D

**PANZITTA SALES & SERVICE**  
 72 George Avenue  
 Wilkes-Barre, PA 18705  
 570-822-6720 800-822-6720  
[www.panzittasales.com](http://www.panzittasales.com)

SHEAVE DETAIL		
ITEM NO.	DESCRIPTION	PART NO.
1	Sheave	FC548
2	Spacer	FC5346-2
3	5/16"-18NC HSBHCS x 1/2" Lg.	40225
4	Sheave Pin	FC555-1

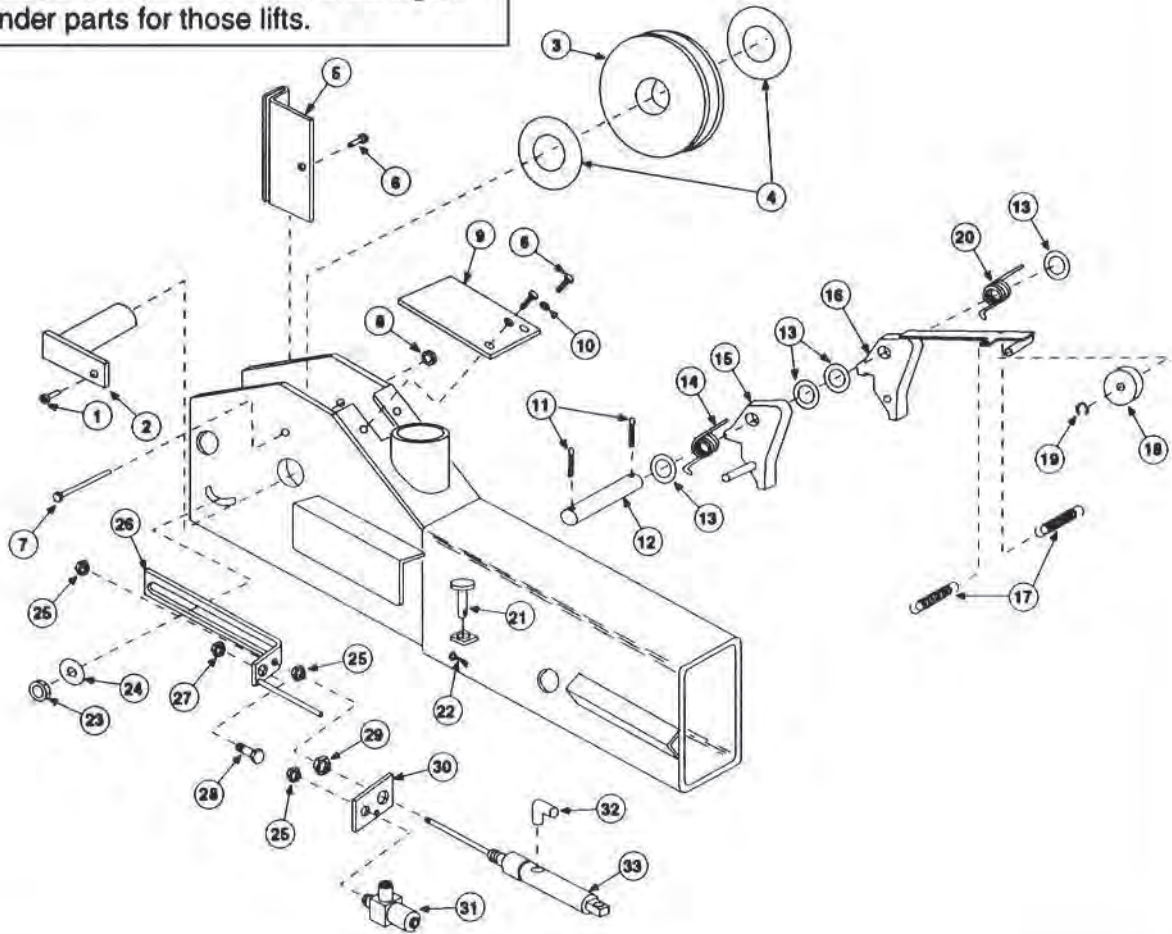


HYDRAULIC HOSE DETAIL		
ITEM NO.	DESCRIPTION	PART NO.
1	Clevis Pin	FC5346-1
2	3/16" x 1 1/2" Cotter Pin	FF6103-6
3	Clamp	FA2239-1
4	#10-24NC Slotted HHTS x 5/8" Lg.	40029
5	Power Unit Hose	FJ822
6	Strip Grommet	FC5317-12
7	Grommet	FC5317-11

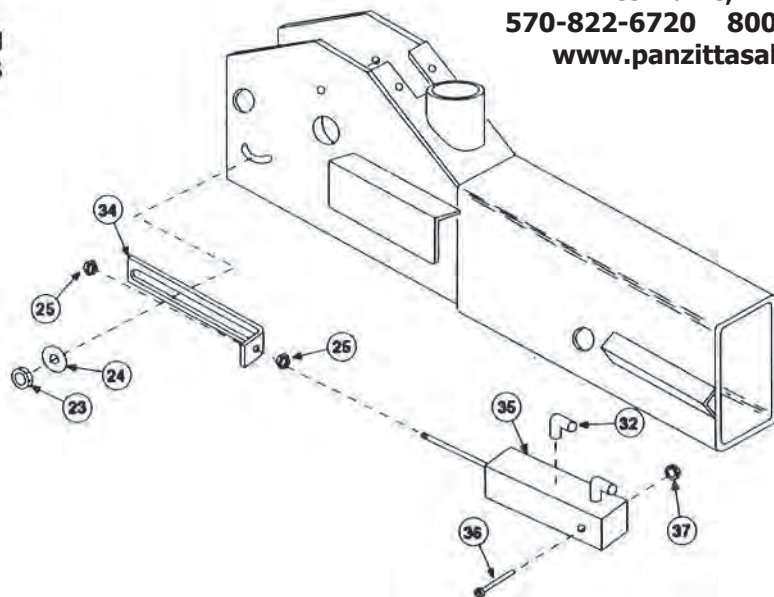
(view is underside of Left Hand Runway)

**PANZITTA SALES & SERVICE**  
**72 George Avenue**  
**Wilkes-Barre, PA 18705**  
**570-822-6720 800-822-6720**  
**www.panzittasales.com**

**Note:** Beginning 3/4/93 with #046, Quick Lube lifts were equipped with the Venix Square Air Cylinder Assembly. Refer to the bottom illustration when ordering air cylinder parts for those lifts.



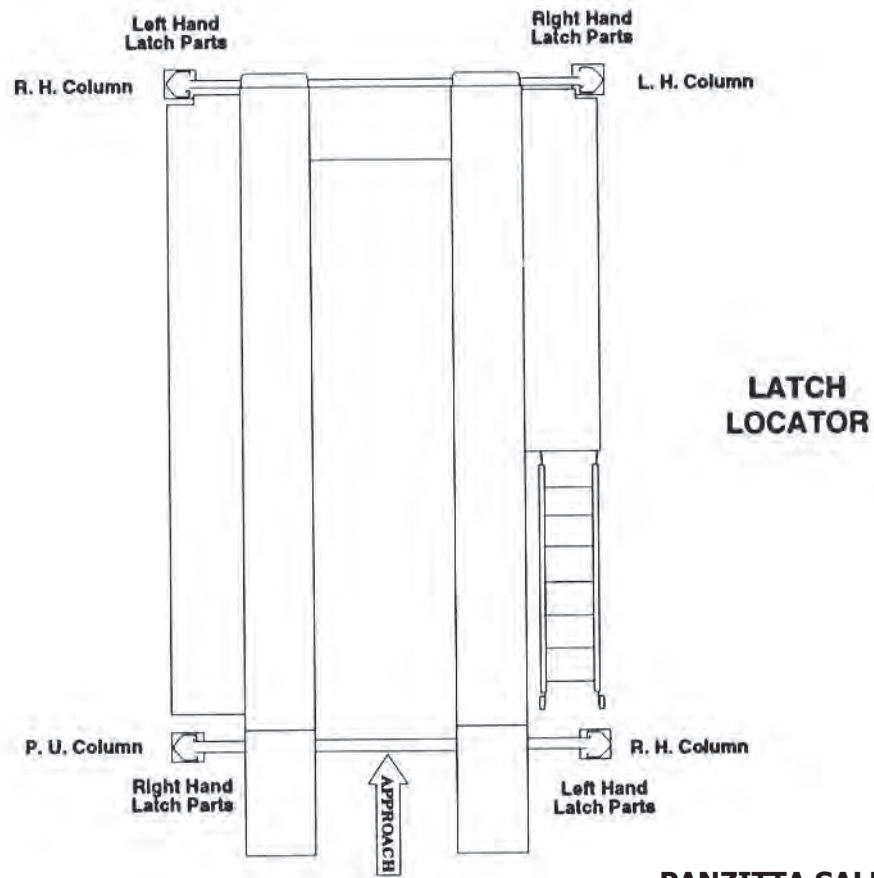
**LIFTS EQUIPPED WITH  
VENIX AIR CYLINDERS**



**PANZITTA SALES & SERVICE**  
 72 George Avenue  
 Wilkes-Barre, PA 18705  
 570-822-6720 800-822-6720  
[www.panzittasales.com](http://www.panzittasales.com)

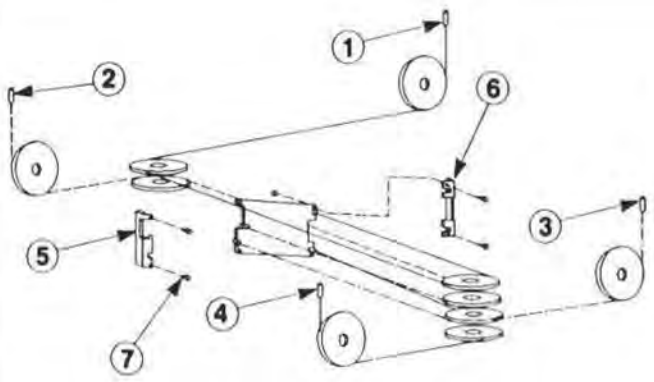
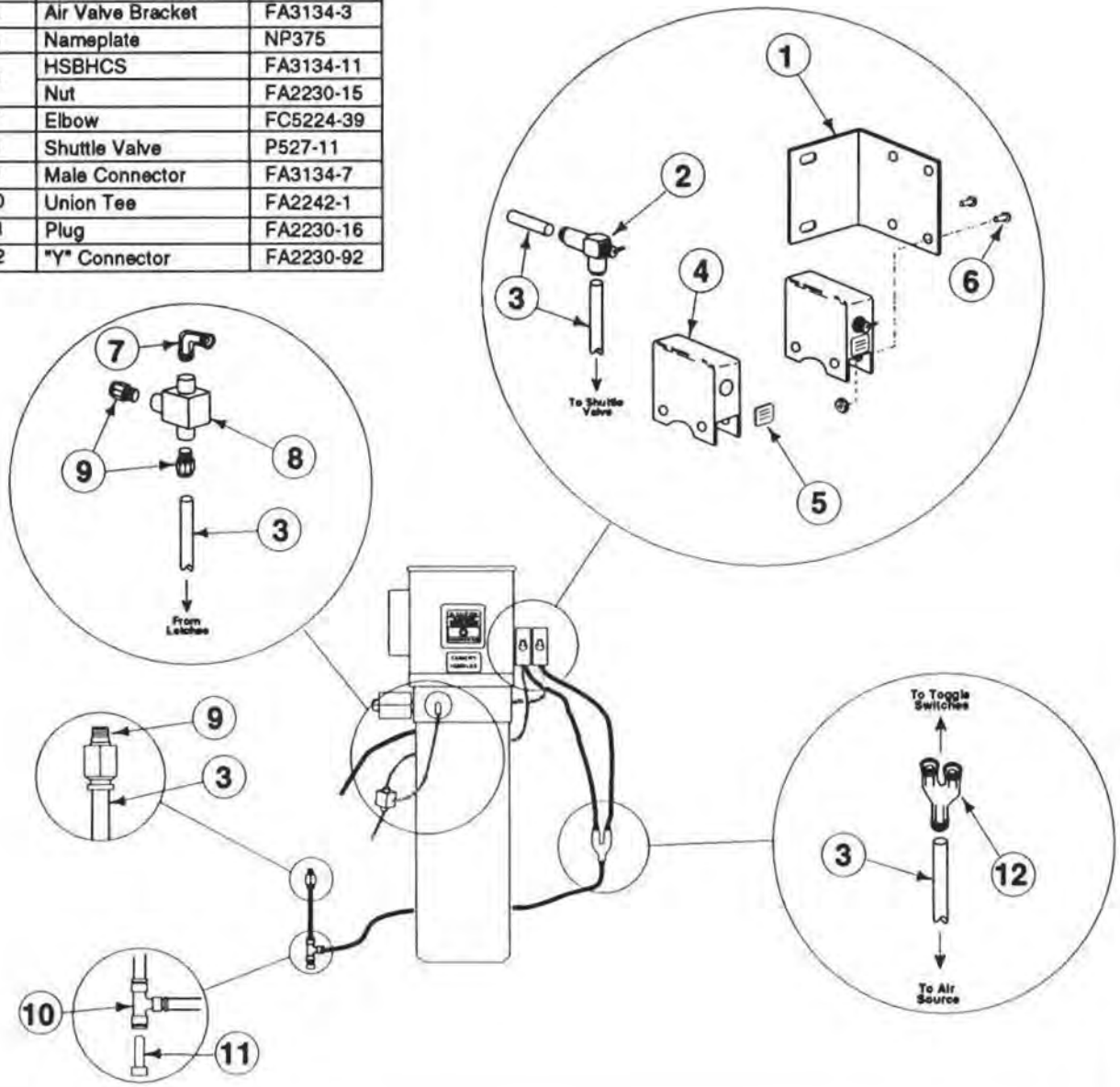
**YOKE END DETAIL**

ITEM NO.	DESCRIPTION	PART NO.	ITEM NO.	DESCRIPTION	PART NO.
1	5/16"-18NC HSBHCS x 1/2" Lg.	40225	19	TRUARC 3/8" Snap Ring	41410
2	Sheave Pin	FC523-8	20	Right Hand Torsion Spring	FC5224-63
3	Sheave	FC548	21	Clevis Pin	FA2230-12
4	Spacer	FC548-5	22	Cotter Pin, 3/32" x 1/2"	41165
5	Plastic Slider	FC5301-97	23	3/8"-16NC Nylon Lock Nut	40657
6	1/4"-20NC HHCS x 1/2" Lg.	40067	24	3/8" Plain Washer	40820
7	1/4"-20NC HHCS x 4" Lg.	40118	25	1/4"-28NF Hex Jam Nut	40622
8	1/4"-20NC Hex Nut	40625	26	Slotted Bracket	FA2230-97
9	Rubber Guard	FC553-10	27	3/8"-16NC Hex Jam Nut	40658
10	1/4" Plain Washer	40780	28	3/8"-16NC HHCB x 1" Lg.	40140
11	Cotter Pin, 1/8" X 1 1/4"	41201	29	5/8"-18NF Hex Jam Nut	FA2230-9
12	Latch Shaft	FC5224-17	30	Bracket	FA2230-94
13	Washer	FC5301-98	31	Air Valve	FA2230-93
14	Left Hand Torsion Spring	FC5224-62	32	Elbow	FC5224-38
15	Left Hand Locking Latch	FC5505	33	Air Cylinder	FA2230-1
	Right Hand Locking Latch	FC5504	34	Slotted Bracket, Square Air Cylinder	FA2273-22
16	Left Hand Slack Cable Locking Latch	FC553-20	35	Square Air Cylinder	FA2273-20
	Right Hand Slack Cable Locking Latch	FC553-19	36	Cylinder Bolt	FA2273-23
17	Extension Spring	FC522-25	37	#10-24NC Hex Jam Nut	40630
18	Slack Cable Roller	FC553-21			



**PANZITTA SALES & SERVICE**  
 72 George Avenue  
 Wilkes-Barre, PA 18705  
 570-822-6720 800-822-6720  
 www.panzittasales.com

AIRLINE DETAIL		
ITEM NO.	DESCRIPTION	PART NO.
1	Control Ass'y. Bracket	FA2230-17
2	Air Valve	FA3134-10
3	1/4" Tubing	FA2273-4
4	Air Valve Bracket	FA3134-3
5	Nameplate	NP375
6	HSBHCS	FA3134-11
	Nut	FA2230-15
7	Elbow	FC5224-39
8	Shuttle Valve	P527-11
9	Male Connector	FA3134-7
10	Union Tee	FA2242-1
11	Plug	FA2230-16
12	"Y" Connector	FA2230-92



CABLES		
ITEM NO.	DESCRIPTION	PART NO.
1	Right Front Cable	FC547
2	Left Front Cable	FC546
3	Right Rear Cable	FC545
4	Left Rear Cable	FC544
5	Left Cable Retaining Bar	FC543-3
6	Right Cable Retaining Bar	FC543-2
7	1/4"-20NC x 1 1/2" HHCS	40110