



World Leader in Lift Productivity

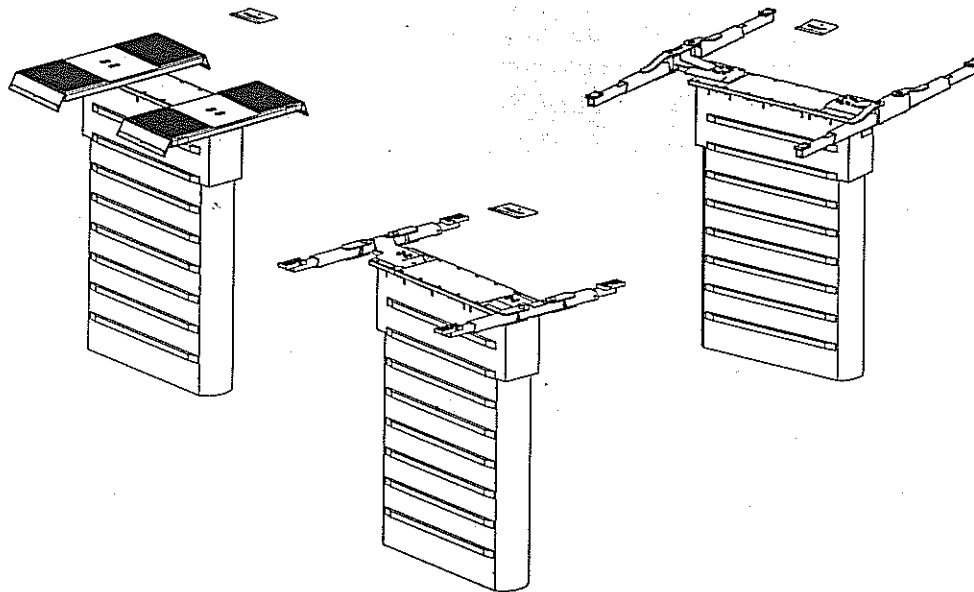
SL210/SL212

(500 Series)

SL210 Fixed Pad Capacity 9,000 lbs.

SL210 Capacity 10,000 lbs.

SL212 Capacity 12,000 lbs.



P
A
R
T
S

B
R
E
A
K
D
O
W
N

IMPORTANT: When ordering parts or requesting service always give exact model and power unit serial number. Model number is shown on nameplate attached to air lock release valve. Power unit serial number is located on side of power unit.

OWNERS RECORD
Complete information
at right and keep in
a safe place.

Date Installed _____

Installed in Bay # _____

Power Unit Serial # _____

Power Unit Model # _____

Lift Serial # _____

Lift Model # _____

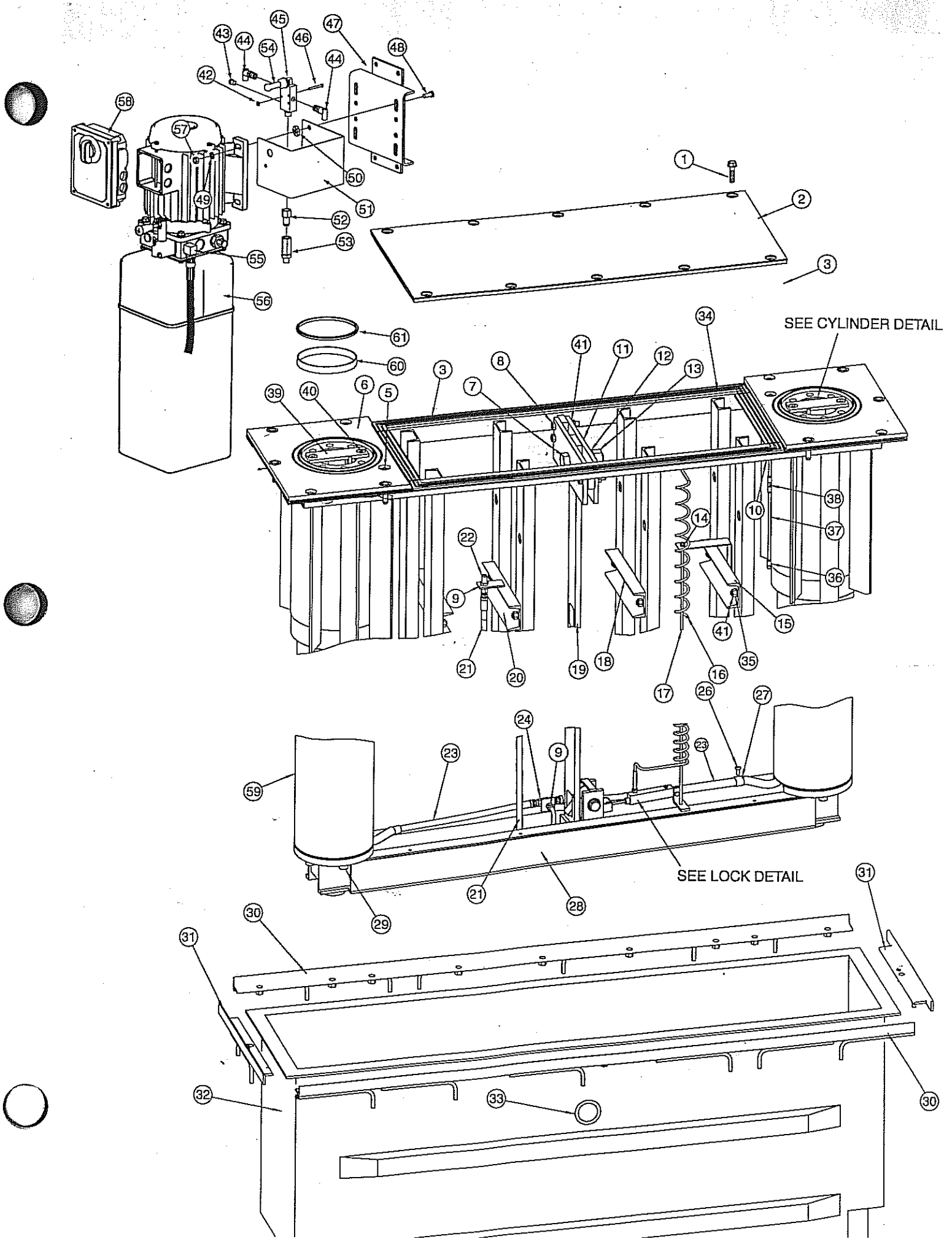
NOTE: For replacement parts -See your nearest Rotary Parts Distributor.

LP20174

PB5-12-1

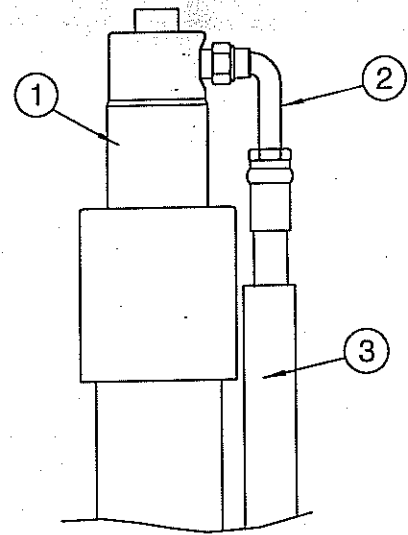
Rev. D 06/10/2004

| ITI M # | DESCRIPTION | PART# | |
|---------|---|-----------------|-------------------|
| 1 | 1/2"-13NC x 2" Self Tap, Grade5, Plated Full Thread | 40268 | |
| 2 | Cover Plate | T120190 | |
| 3 | One Piece Gasket | T140163 | |
| 4 | Number Not Used | --- | |
| 5 | Zerk Fitting L#5000 1/8" Pipe | T140007 | |
| 6 | Guide Barrel Assembly (with Nylon Tubes and Fittings) | T110149 | |
| 7 | 1-1/8"-7NC x 3" HHCS, Grade 5, Plated | 40606 | |
| 8 | 1/2"-13NC x 2-1/2" HHCS, Grade 5 | 40338 | |
| 9 | 9/16" Internal Tooth Lockwasher, Plated | 40998 | |
| 10 | Male Connector for Nylon Tube | FC5225-47 | |
| 11 | Latch Bar Plate | T130342 | |
| 12 | 1-1/8" Internal Tooth Lock Washer, Plated | 40608 | |
| 13 | 1-1/8"-7NC Hex Nut, Plated | 40607 | |
| 14 | 1/4"-20NC Hex Jam Nut | 40640 | |
| 15 | Conduit Bracket Assembly | T120157 | |
| 16 | Air Coil Hose | T140096 | |
| 17 | Air Coil Hose Rod | T130338 | |
| 18 | Short Tie Channel | T130345 | |
| 19 | Latch Bar | T130341 | |
| 20 | Hose Bracket Assembly | T120158 | |
| 21 | Vertical Hose | T140170 | |
| 22 | Bulkhead Adapter | T140132 | |
| 23 | Plunger Hose | T140169 | |
| 24 | SS Bulkhead Union Tee | T140134 | |
| 25 | Number Not Used | --- | |
| 26 | 5/16"-18NC x 3/8" Phillips Pan Head Machine Screw, Plated | 40227 | |
| 27 | Hose Clip | FJ7499 | |
| 28 | Equalizer | T120226 | |
| 29 | 5/8" Helical Spring Lockwasher, Plated | 40961 | |
| | 5/8"-11NC x 2-1/2" Hex Socket Head Cap Screw | 40343 | |
| 30 | Anchor Frame Side | T120198 | |
| 31 | Anchor Frame End | T120197 | |
| 32 | Containment (with Uniseal hole drilled) | T140124 | |
| 33 | 2" Uniseal | T140023 | |
| 34 | Frame Weldment | T120164 | |
| 35 | 1/2"-13NC x 1" HHCS, Grade 5 | 40261 | |
| 36 | Guide Barrel Fitting Kit | T100147 | |
| 37 | 1/4" Nylon Tube (11-1/8" long) | T130191 | |
| 38 | Union Tee | FC5225-46 | |
| 39 | Lift Bar Weldment | T120166 | |
| 40 | 1/2"-13NC x 1-1/4" Countersunk Socket Head Cap Screw | 40337 | |
| 41 | 1/2"-13NC Hex Flanged Whizlock Nut, Plated | 40704 | |
| 42 | #8-32NC Nylon Insert Lock Nut | 40649 | |
| 43 | Brass Filter | T140075 | |
| 44 | Swivel Elbow | T140074 | |
| 45 | Air Lock Valve | T140073 | |
| 46 | #8-32NC x 1-1/2" Rnd Head Machine Screw | 40007 | |
| 47 | Power Unit Wall Bracket | T120020 | |
| 48 | 5/16"-18NC x 1-1/2" HHCS Zinc Plated | 40271 | |
| 49 | 5/16" Ext. Tooth Lock Washer Plated | 40854 | |
| 50 | 5/16" Push Nut | FC5209 | |
| 51 | Air Lock Valve Mounting Bracket | T130187 | |
| 52 | 1/4" Push-In 1/4" NPT Female Fitting | T140081 | |
| 53 | Filter | FA3134-12 | |
| 54 | Air Lock Valve Handle | T140119 | |
| 55 | Elbow | FJ7224 | |
| 56 | SL210 | Standard | Fixed Pads |
| | 1Ø 60 Hz. Power Unit | P1350 | P1352 |
| | 3Ø 50/60Hz. Power Unit | P1346 | P1353 |
| | 3Ø 60Hz./575V | P1354 | P1356 |
| | SL212 | | |
| | 1Ø 60 Hz. Power Unit | P1302 | |
| | 3Ø 50/60Hz. Power Unit | P1347 | |
| | 3Ø 60Hz./575V | P1359 | |
| 57 | 5/16"-18NC Hex Nut | 40670 | |
| 58 | Capacitor Box (with Drum Switch) All Voltages | FA7203 | |
| | M5 x 10 PHMS, Plated | 40275 | |
| 59 | Plunger | T120161 | |
| 60 | Bearing | T140148 | |
| 61 | Wiper Seal | T140118 | |



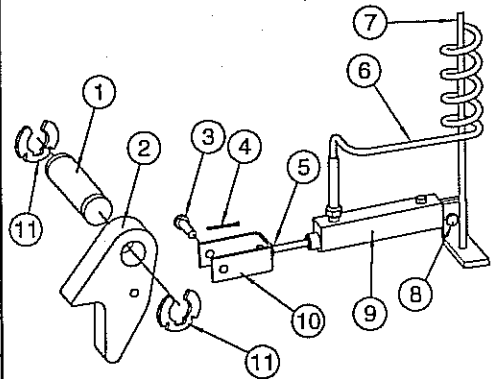
CYLINDER DETAIL

| ITEM# | DESCRIPTION | PART# | QTY. |
|-------|--------------------|---------|------|
| 1 | Hydraulic Cylinder | N367 | 2 |
| 2 | Plunger Hose | T140169 | 2 |
| 3 | Hose Support Tube | T140166 | 2 |



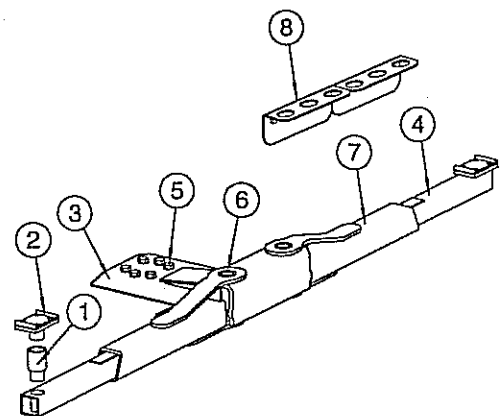
LOCK DETAIL

| ITEM# | DESCRIPTION | PART# | QTY. |
|-------|------------------------------------|---------|------|
| 1 | Latch Shaft | T130350 | 1 |
| 2 | Locking Latch | T130348 | 1 |
| 3 | Latch Clevis Pin, Plated | T140135 | 1 |
| 4 | 1/16" x 3/4" Lg. Cotter Pin | 41606 | 1 |
| 5 | 1/4"-28NF Hex Nut, Plated | 40648 | 2 |
| 6 | Air Coil Hose | T140096 | 1 |
| 7 | Air Coil Hose Rod | T130338 | 1 |
| 8 | 1/4"-20NC x 1-1/4" HHCS, Grade 2 | 40115 | 1 |
| | 1/4"-20NC Hex Nylon Insert Locknut | 40642 | 1 |
| 9 | Air Cylinder | T140062 | 1 |
| 10 | Clevis | T130349 | 1 |
| 11 | Retaining Ring TRUARC #5304-125 | 41417 | 2 |

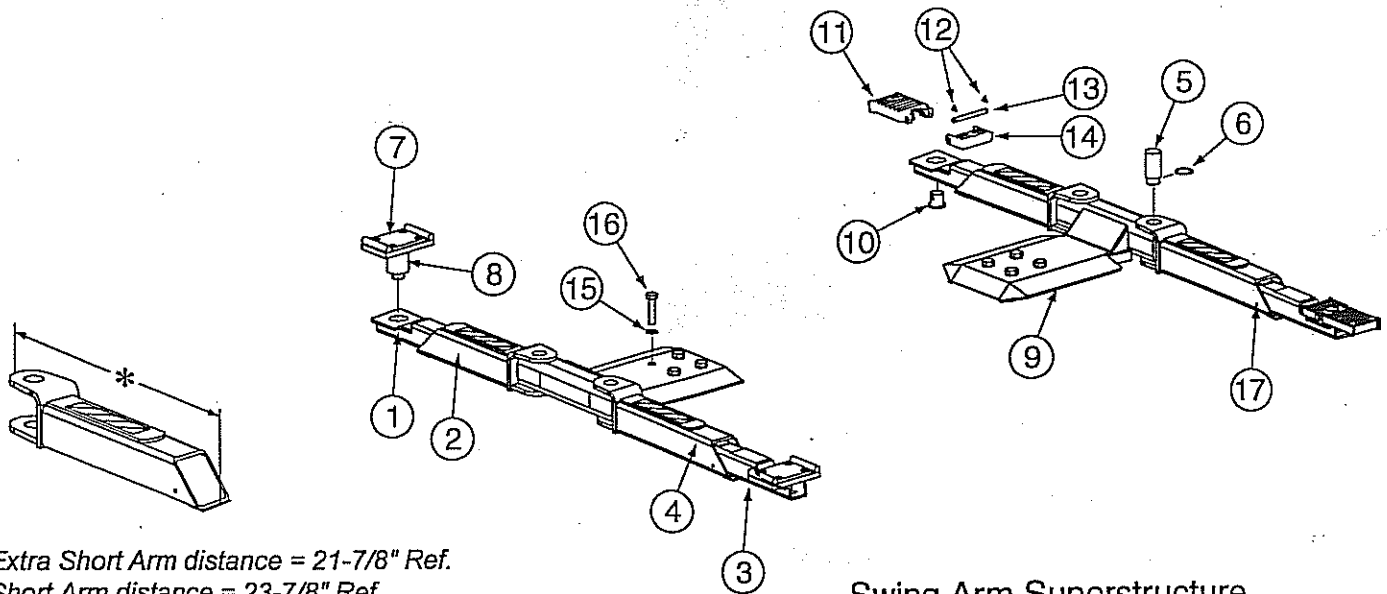


SL212 ARM DETAIL

| ITEM# | DESCRIPTION | PART# | QTY. |
|-------|--|---------|------|
| 1 | 4" Extension | FJ6143 | 4 |
| | 8" Extension | FJ6144 | 2 |
| 2 | Adapter Assembly | FJ6158 | 4 |
| 3 | Yoke Weldment | T120152 | 2 |
| 4 | Inner Arm | T120150 | 4 |
| 5 | 7/8"-9NC x 3-1/2" HHCS, Grd 5, Plated | 40498 | 12 |
| | 7/8" External Tooth Lockwasher, Plated | 41072 | 12 |
| 6 | Arm Pin | T120153 | 4 |
| | 3/16" x 3" Cotter Pin | 41253 | 4 |
| 7 | Outer Arm | T120151 | 4 |
| 8 | Extension Rack | FJ6145 | 2 |



SL210 ARM DETAIL



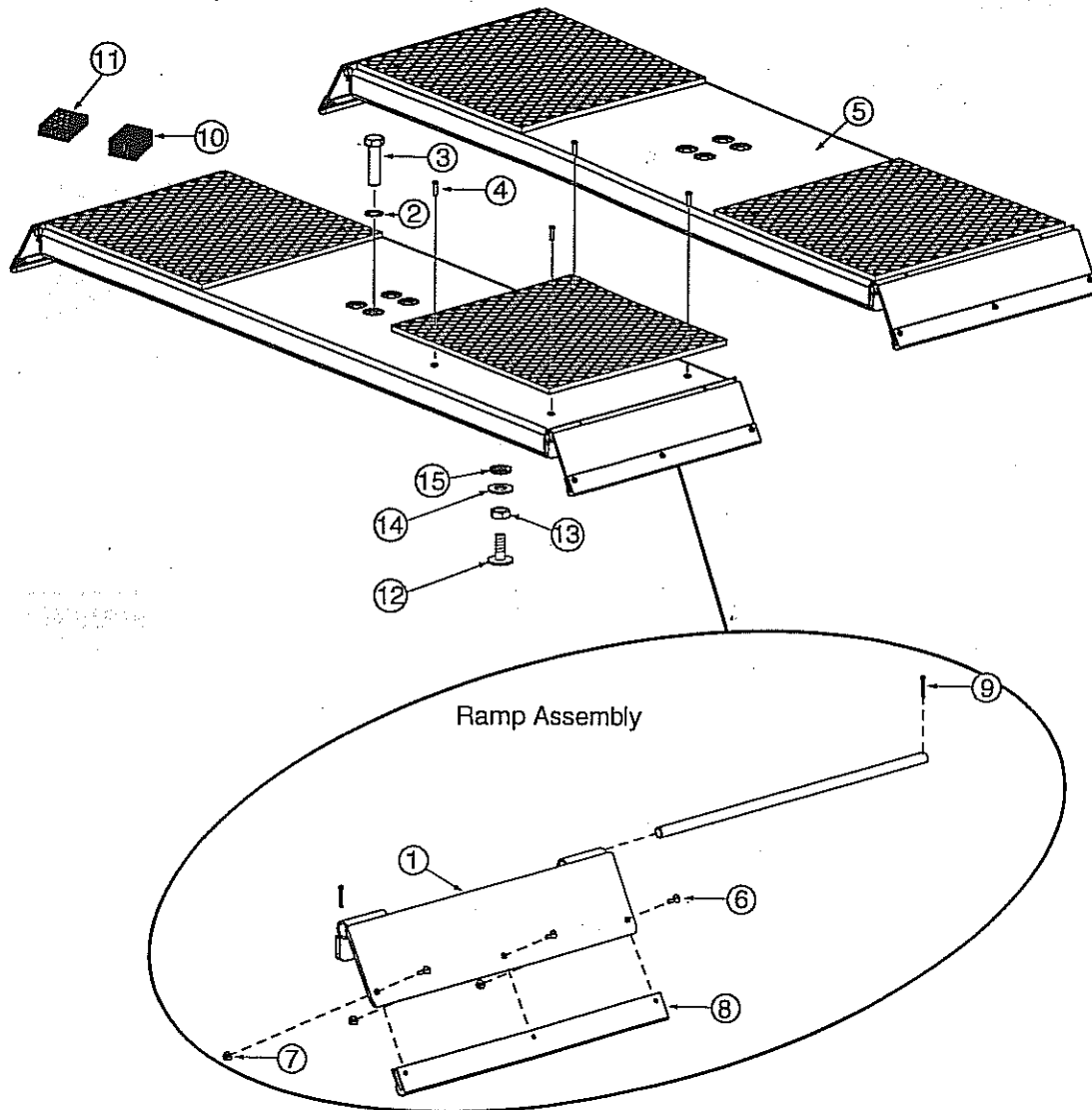
Swing Arm Superstructure

- * Extra Short Arm distance = 21-7/8" Ref.
- * Short Arm distance = 23-7/8" Ref.
- * Long Arm distance = 28-1/8" Ref.

| ITEM | DESCRIPTION | PART # |
|------|--|----------|
| 1 | *Short Inner Arm (Rubber Pad Adapters) | T120224 |
| | *Short Inner Arm Assembly (Flip-Up Adapters) | T120220 |
| 2 | *Extra Short Outer Arm | T120227 |
| | *Short Outer Arm | T120218 |
| 3 | *Long Inner Arm (Rubber Pad Adapters) | T120223 |
| | *Long Inner Arm Assembly (Flip-Up Adapters) | T120219 |
| 4 | *Long Outer Arm | T120217 |
| 5 | Arm Pin | T130451 |
| 6 | Arm Pin Retaining Ring | T140168 |
| 7 | Rubber Pad | FJ6158-4 |
| 8 | Adapter Assembly | FJ6182 |
| 9 | Yoke | T120221 |
| 10 | Adapter Swivel Pin | FJ79-6 |
| 11 | High Step Adapter | FJ6177 |
| 12 | 3/32" Hog Ring for 1/2" Shaft | FJ671-6 |
| 13 | Adapter Pin | FJ6179 |
| 14 | Low Step Adapter | FJ6178 |
| 15 | 7/8" External Tooth Lockwasher, Plated | 41072 |
| 16 | 7/8"-9NC x 3-1/2" HHCS, Grd 5, Plated | 40498 |
| 17 | 3/8"-16NC x 5/8" HHCS Grade 8 Plated | 40155 |
| | 3/8" Internal Tooth Lockwasher | 40843 |

12
42
8
8

SL210 FIXED PAD SUPERSTRUCTURE DETAIL



| ITEM# | DESCRIPTION | PART# | QTY. |
|-------|---|-----------|------|
| 1 | Ramp Weldment | N2135 | 2 |
| 2 | 7/8" External Tooth Lockwasher, Plated ... | 41072 | 8 |
| 3 | 7/8"-9NC x 3-1/2" HHCS, Grd 5, Plated ... | 40498 | 8 |
| 4 | 1/4" x .475 Blind Rivet | 40174 | 16 |
| 5 | Pad Weldment | T120203 | 2 |
| 6 | #10-24NC x 3/4" SLTRUSSHMS Plated ... | 40050 | 12 |
| 7 | #10-24NC FI Whizlock Nut Plated | 40633 | 12 |
| 8 | 20" Chock Slide | FC134-33 | 4 |
| 9 | 5/32" x 1" Cotter Pin | 41202 | 8 |
| 10 | 3" Rubber Adapter Pad | FJ2428 | 8 |
| 11 | 1-1/2" Rubber Adapter Pad | FJ2427 | 4 |
| 12 | Adjustment Screw | FJ7465-15 | 4 |
| 13 | 3/8"-16NC Hex Jam Nut, Plated | 40658 | 4 |
| 14 | 3/8" USS Flat Washer, Plated | 40820 | 4 |
| 15 | 3/8" Helical Spring Lockwasher, Plated | 40498 | 4 |

