

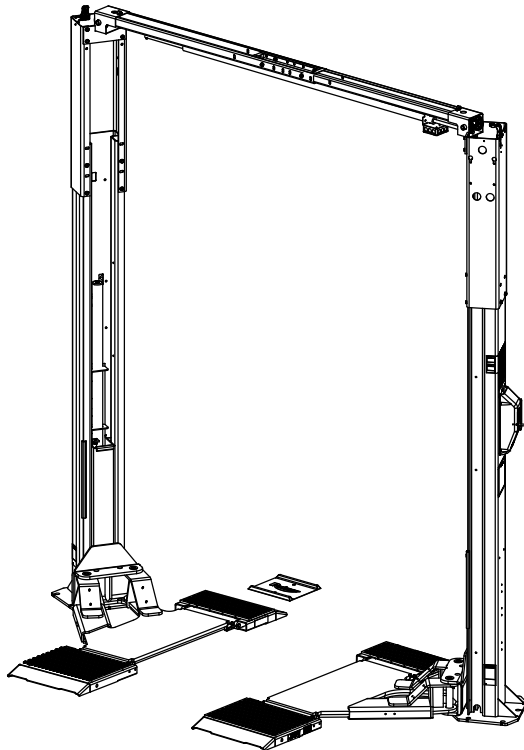


SPOA7 With Movable Pads

Capacity 7,000 lbs.
(600 Series Lifts)

SPOA82

Capacity 7,000 lbs.
(600 Series Lifts)



P
A
R
T
S

B
R
E
A
K
D
O
W
N

IMPORTANT: When ordering parts or requesting service always give exact model and power unit serial number. Model number is shown on nameplate attached to power unit column. Power unit serial number is located on side of power unit.

OWNERS RECORD
Complete information at right and keep in a safe place.

Date Installed _____

Installed in Bay # _____

Power Unit Serial # _____

Power Unit Model # _____

Lift Serial # _____

Lift Model # _____

NOTE: For replacement parts -See your nearest Rotary Parts Distributor.

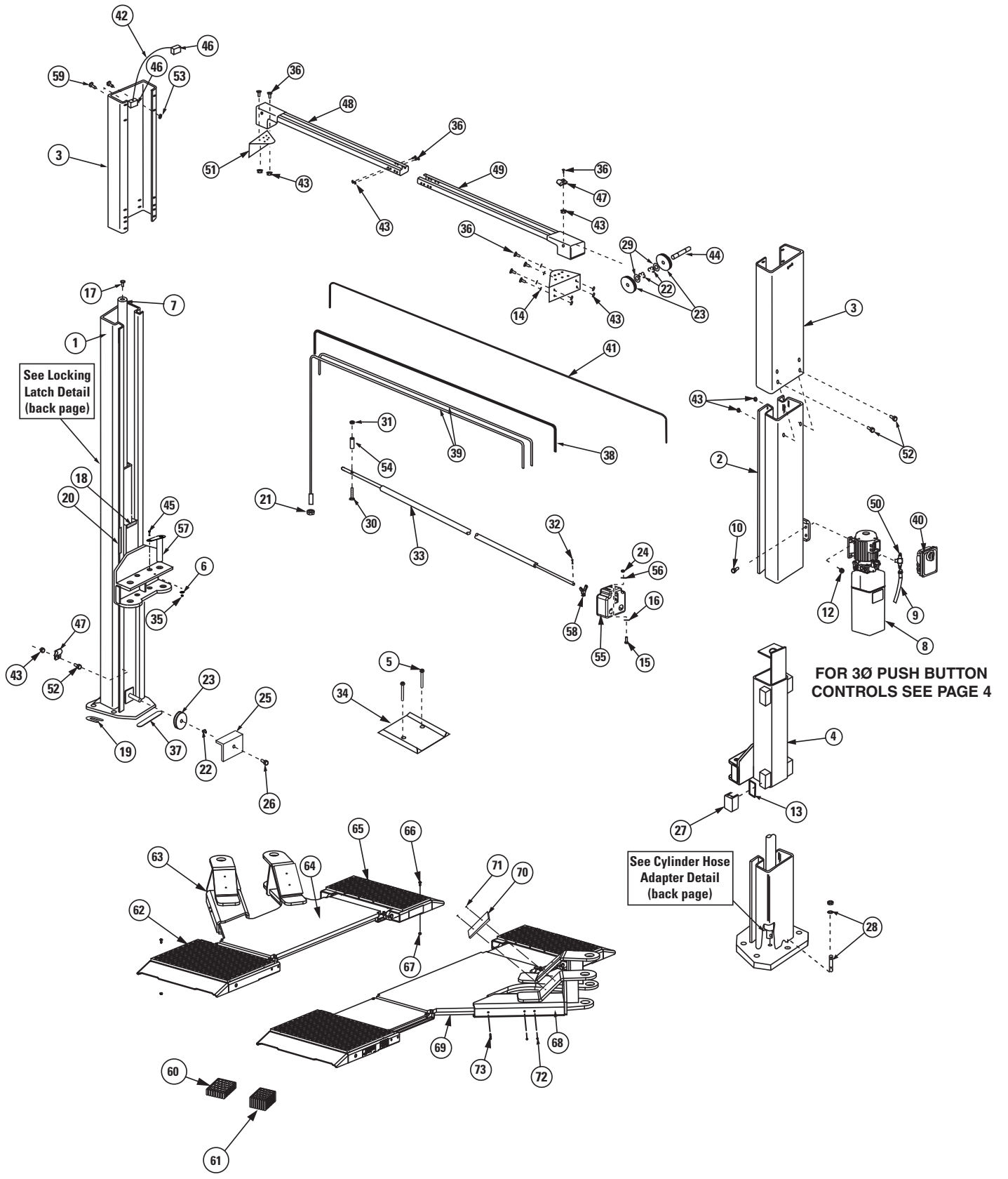
PB 2-32-31-3
Rev. G 5/13/2015

| | | | |
|---|----------|--|--------|
| 1. L.H. Column Weldment..... | N752 | 49. R.H. Overhead Assembly (Inner)..... | N481-1 |
| 2. R.H. Column Weldment..... | N755 | 50. Branch Tee..... | FJ7668 |
| 3. Column Extension | | 51. Column Mounting Bracket..... | N439 |
| Standard Height..... | N470 | 52. 3/8"-16NC x 3/4" Carriage Bolts..... | N/A |
| EH-1 MODEL..... | N471 | 53. 1/4"-20NC Flanged Locknut..... | 40641 |
| EH-2 MODEL..... | N472 | 54. 3/4" Spacer..... | FJ7871 |
| 4. Carriage Yoke Weldment..... | N822 | 55. Cutoff Switch Assembly 1Ø / 3Ø w/ Push Button..... | N413 |
| 5. Wheel Spotting Dish Anchor (included in FF729)..... | FJ7659-2 | Cutoff Switch 1Ø / 3Ø w/ Push Button..... | N413-1 |
| 6. 5/16" Fender Washer..... | 40226 | Cutoff Switch Assembly 3Ø..... | N432 |
| 7. Hydraulic Cylinder | | Cutoff Switch 3Ø..... | N432-1 |
| 68" Rise..... | N3156 | 56. 1/4" External Tooth Lockwasher..... | 40779 |
| 71" Rise..... | N382 | 57. M Pad Arm Pin Weldment..... | N2343 |
| 8. Power Unit | | 58. Actuator Assembly (3Ø)..... | N432-5 |
| 1Ø 60Hz 208-230V (SPOA82)..... | P3352 | 59. 1/4"-20NC x 1" HHCS Grade 5..... | 40108 |
| 3Ø 50-60Hz 230-460V (SPOA82)..... | P3353 | 60. 1-1/2" Rubber Adapter Pad..... | FJ2427 |
| 9. Power Unit Hose..... | FJ837 | 61. 3" Rubber Adapter Pad..... | FJ2428 |
| 10. 5/16"-18NC x 1-1/2" Flanged HHCS (Full Thread)..... | 40509 | 62. 14-5/8" x 20" Rubber Pad..... | FJ2480 |
| 11. NA..... | NA | 63. Left Rear Arm Weldment..... | N2328 |
| 12. 5/16"-18NC Hex Flanged Lock Nut..... | 40678 | 64. M-Pad LH Assembly..... | N2317 |
| 13. Slider Block Shim..... | N115 | 65. 8-5/8" x 20" Rubber Pad..... | FJ2489 |
| 14. 3/8" External Tooth Lockwasher..... | N/A | 66. M6 x 1.0 x 16mm Phillips PHMS, Stainless..... | 41690 |
| 15. 1/4"-20NC x 3/4" Lg. HHCS..... | 40099 | 67. M6 x 1.0 Hex Nylon Insert Lock Nut, Pltd..... | 41556 |
| 16. 1/4" Plain Washer..... | 40795 | 68. N2330 Right Rear Arm Weldment..... | N2330 |
| 17. Bleeder Screw (Specify Manufacturer)..... | N/A | 69. M-Pad RH Assembly..... | N2318 |
| 18. Carriage Bumper..... | FA941 | 70. Arm Pad..... | FJ2493 |
| 19. Horse Shoe Shim..... | FJ716-6 | 71. 1/4"-20NC Flat Head Cap Screw..... | 40065 |
| 20. Approach Bumper..... | FJ7391-1 | 72. 5/16"-18NC x 1" HHCS..... | 40221 |
| 21. 5/8"-11NC Nylon Insert Lock Nut..... | 40743 | 73. 3/8"-16 x 1" Set Screw..... | 40141 |
| 22. Truarc #5304-75 Klipring for 3/4" Shaft..... | 41411 | | |
| 23. Sheave..... | N377 | | |
| 24. 1/4"-20NC Zinc Hex Nut..... | 40627 | | |
| 25. Sheave Cover..... | N119-1 | | |
| 26. 1/4"-20NC x 3/8" Lg. PHMS Plated (2 pcs.)..... | 40063 | | |
| 27. Slider block..... | FJ7360 | | |
| 28. 3/4" Concrete Anchor..... | FJ7380 | | |
| 29. 1-1/2" O.D. x .760-.770" I.D. x .045" Bushing..... | 41388 | | |
| 30. 1Ø 1/4"-20NC x 2" HHCS..... | 40109 | | |
| 3Ø 1/4"-20NC x 2-3/4" Hex Head Bolt..... | 40114 | | |
| 31. 1/4"-20NC Insert Locknut..... | 40642 | | |
| 32. 1/8" x 1" Lg. Cotter Pin (3Ø Only)..... | 41200 | | |
| 33. Switch Bar Assembly | | | |
| 1Ø / 3Ø w/ Push Button..... | N415 | | |
| 3Ø..... | N434 | | |
| 34. Wheel Spotting Dish Kit..... | FF729-1 | | |
| 35. 5/16"-18NC Nylock Lock Nut..... | 911703 | | |
| 36. 3/8"-16 NC x 3/4" Long Flanged HHCS..... | 40124 | | |
| 37. Front Shim..... | FJ7659-3 | | |
| 38. Overhead Hose | | | |
| Standard..... | FJ839 | | |
| EH-1 MODEL..... | FJ842 | | |
| EH-2 MODEL..... | FJ843 | | |
| 39. Equalizer Cables | | | |
| Standard (SPOA82)..... | N372 | | |
| EH-1 MODEL (SPOA82)..... | N378 | | |
| EH-2 MODEL (SPOA82)..... | N373 | | |
| 40. Capacitor Box..... | FA7147-1 | | |
| Capacitor Box Cover Plate..... | FA7366-1 | | |
| Drum Switch..... | FA7364 | | |
| Drum Switch Lever..... | FA7364-1 | | |
| M5 x 45 PHMS, Plated..... | 41672 | | |
| 41. Locking Latch Cable..... | FJ7595-1 | | |
| 42. Cable Guide..... | N618 | | |
| 43. 3/8"-16NC Flanged Locknut..... | 40664 | | |
| 44. Sheave Shaft..... | FJ7444-8 | | |
| 45. 5/16"-18NC x 1-1/4" LG. HHCS..... | 40208 | | |
| 46. Cable End Bracket..... | N619 | | |
| 47. Hose Clip..... | N383 | | |
| 48. L.H. Overhead Assembly (Outer)..... | N480-1 | | |

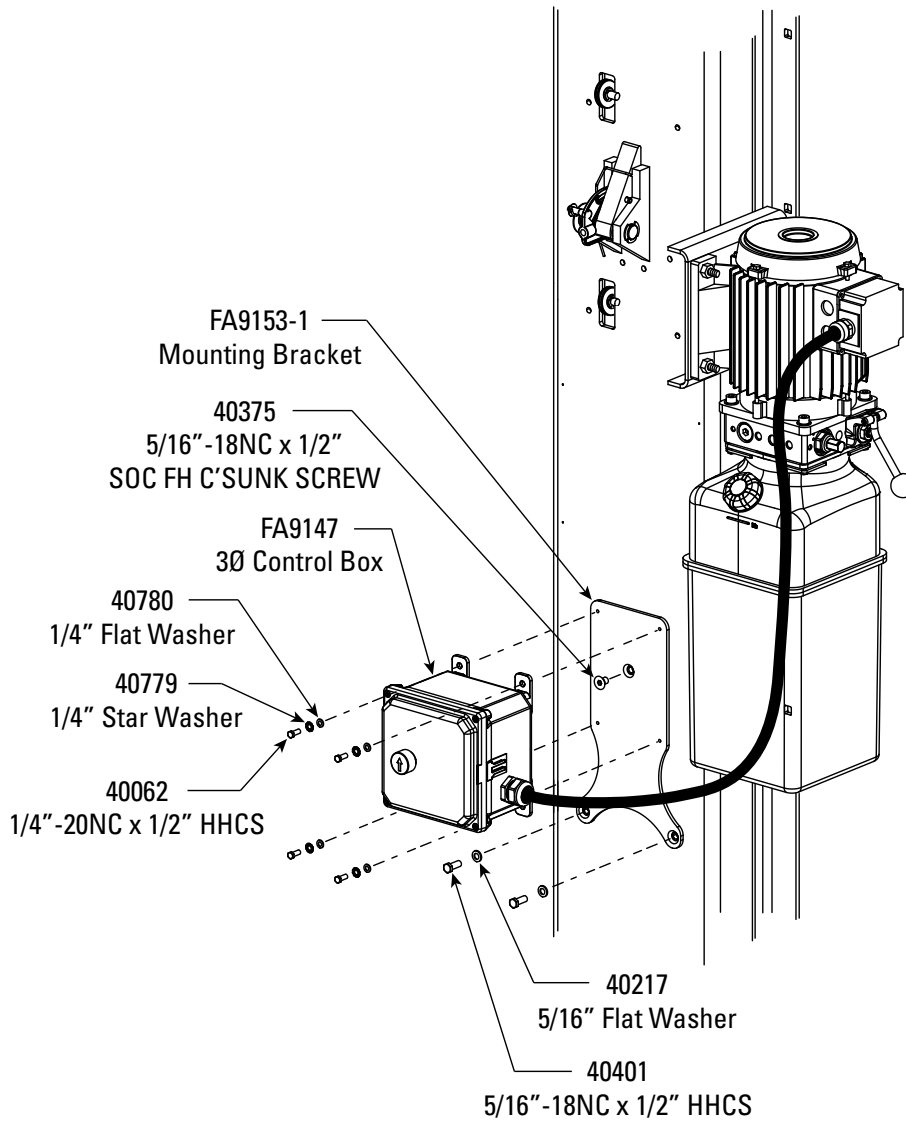
NOTE: Standard hardware items should be purchased from local hardware source when possible.



Care should be taken to use hardware equal to that specified in this listing. (If grade is not specified, use Grade 2 minimum.)

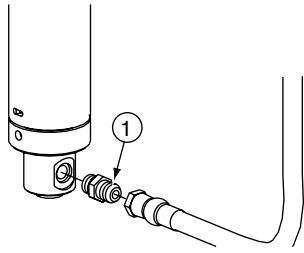


3Ø POWER UNIT

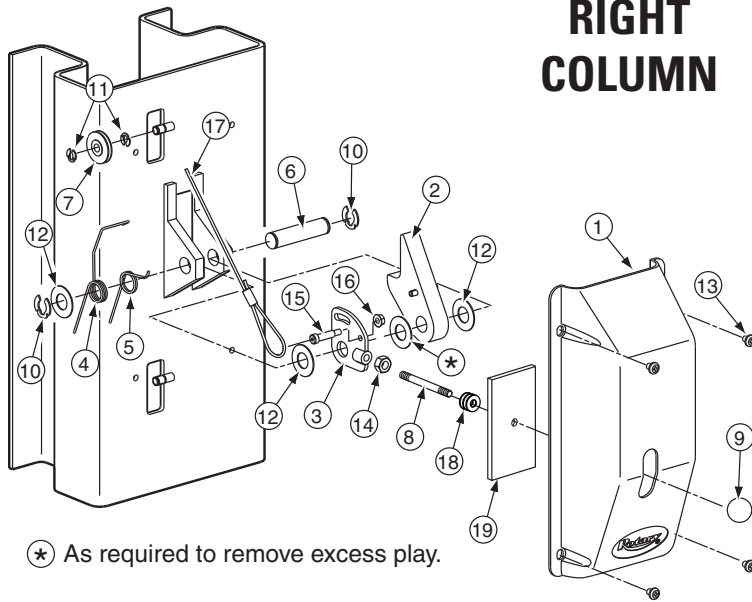


| | |
|------------------------|--|
| FA9147 Includes Items: | |
| FA9147-1 | 3Ø Control Box Enclosure with Gasket |
| FA9147-2 | 25 AMP Contactor, 3 Pole with 480 Volt Coil GE CR553AB3CAA |
| FA9147-6 | Contacting Coil DB1AB 208-240 Volt for Contactor GE CR553A |
| FA9147-8 | Switch Momentary Push Button with Contact Block |
| FA9147-9 | Cord 600 Volt 4-Wire 42" Long with Ring Terminals |

| | |
|-----------|--|
| FA9147-12 | 550-600 Volt Coil GE Pin PB1AD for 575 Volt Lifts Only |
|-----------|--|

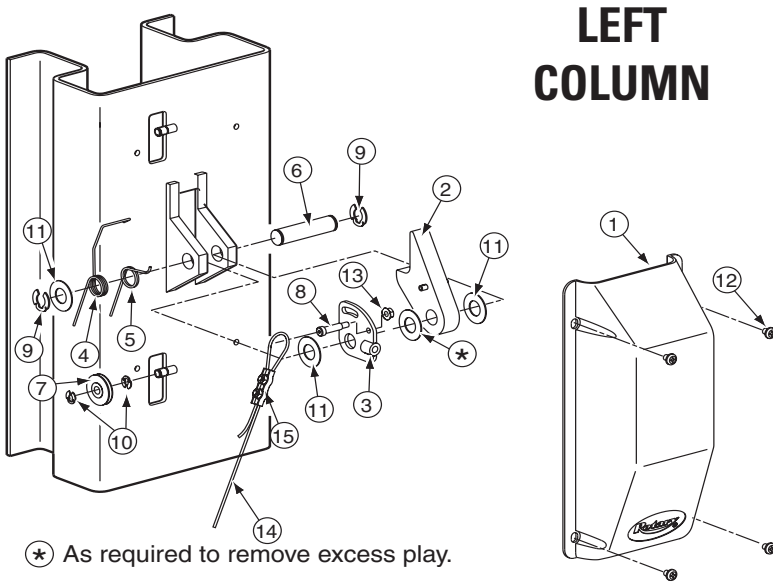


| CYLINDER HOSE ADAPTER DETAIL | | |
|------------------------------|------------------|----------|
| ITEM | DESCRIPTION | PART |
| 1 | Straight Adapter | FJ7352-3 |



⊛ As required to remove excess play.

| LOCKING LATCH DETAIL PARTS LIST | | |
|---------------------------------|---|-----------|
| ITEM | DESCRIPTION | PART |
| 1 | Control Side Cover | FJ7452 |
| 2 | Latch/Bumper Assembly | N616 |
| 3 | Control Plate | FJ7594-2 |
| 4 | Spring | FJ7566-10 |
| 5 | Spring | FJ7382-9 |
| 6 | Latch Shaft | FJ7382-34 |
| 7 | Locking Latch Sheave | FJ7322 |
| 8 | Handle | FJ7382-18 |
| 9 | Ball Handle | FC134-91 |
| 10 | Truarc Klipring #5304-75 for 3/4" Shaft | 41411 |
| 11 | Truarc Klipring #5304-37 for 3/8" Shaft | 41410 |
| 12 | 1-1/2" O.D. x 3/4" I.D. x .045" Mach. Bush. | 41388 |
| 13 | 5/16"-18NC x 3/8" Lg. PHMS | 40227 |
| 14 | 3/8" - 16NC Hex Jam Nut | 40658 |
| 15 | Shoulder Bolt, 5/16"-20 NC x 1-1/4" | 40220 |
| 16 | Flanged Locknut, 1/4" - 20NC | 41423 |
| 17 | Locking Latch Cable | FJ7595-1 |
| | EH-4 for SPO10W/TL07 Only | FJ7600 |
| 18 | 3/8" Flat Washer | 40820 |
| 19 | Slot Cover | N617 |



⊛ As required to remove excess play.

| LOCKING LATCH DETAIL PARTS LIST | | |
|---------------------------------|---|-----------|
| ITEM | DESCRIPTION | PART |
| 1 | Latch Cover | FJ7451 |
| 2 | Latch/Bumper Assembly | N616 |
| 3 | Control Plate | FJ7594-2 |
| 4 | Spring | FJ7566-10 |
| 5 | Spring | FJ7382-9 |
| 6 | Latch Shaft | FJ7382-34 |
| 7 | Locking Latch Sheave | FJ7322 |
| 8 | Shoulder Bolt 5/16"-20NC x 1-1/4" | 40220 |
| 9 | Truarc Klipring #5304-75 for 3/4" Shaft | 41411 |
| 10 | Truarc Klipring #5304-37 for 3/8" Shaft | 41410 |
| 11 | 1-1/2" O.D. x 3/4" I.D. x .045" Mach. Bush. | 41388 |
| 12 | 5/16"-18NC x 3/8" Lg. PHMS | 40227 |
| 13 | Flanged Locknut, 1/4" - 20NC | 41423 |
| 14 | Locking Latch Cable | FJ7595-1 |
| | EH-4 for SPO10W/TL07 Only | FJ7600 |
| 15 | Latch Cable Clamp | N63-1 |

NOTES

Rotary World Headquarters

2700 Lanier Drive
Madison, IN 47250, USA
www.rotarylift.com

North America Contact Information

Tech. Support:
p 800.445.5438
f 800.578.5438
e userlink@rotarylift.com
Sales:
p 800.640.5438
f 800.578.5438
e userlink@rotarylift.com

World Wide Contact Information

World Headquarters/USA: 1.812.273.1622
Canada: 1.905.812.9920
European Headquarters/Germany: +49.771.9233.0
United Kingdom: +44.178.747.7711
Australasia: +60.3.7660.0285
Latin America / Caribbean: +54.3488.431.608
Middle East / Northern Africa: +49.771.9233.0

© Vehicle Service GroupSM

Printed in U.S.A., All Rights Reserved. Unless otherwise indicated, ROTARY, and all other trademarks are property of Dover Corporation and its affiliates.

