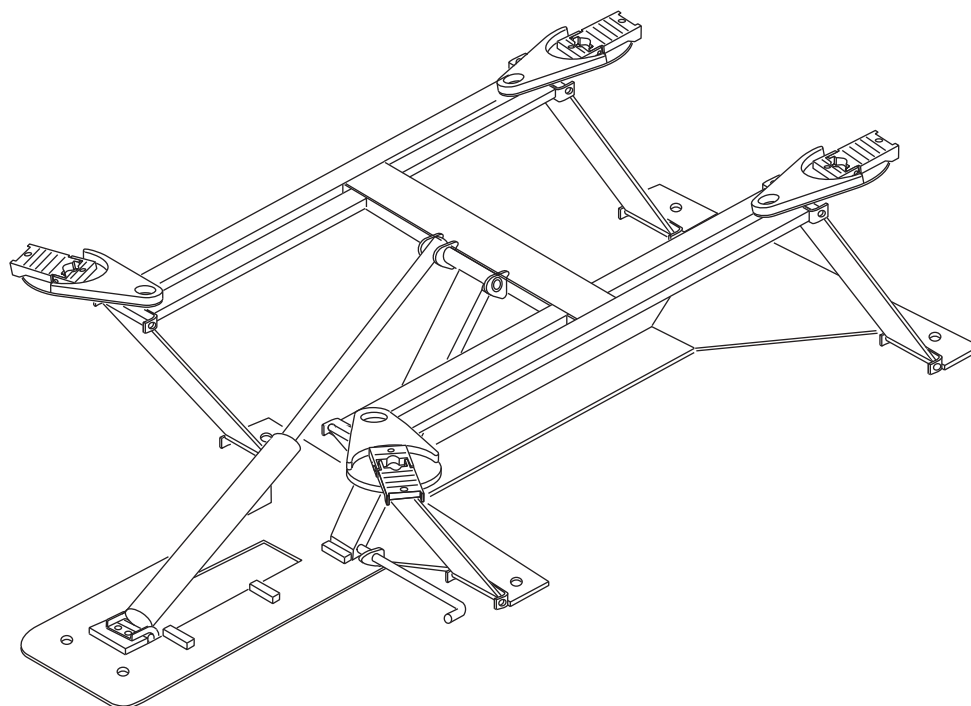


**PANZITTA SALES & SERVICE**  
72 George Avenue  
Wilkes-Barre, PA 18705  
570-822-6720 800-822-6720  
www.panzittasales.com



**P  
A  
R  
T  
S  
  
B  
R  
E  
A  
K  
D  
O  
W  
N**

# VLD6/VLD6-3/VLD6-4 VLS6 VL6/VL6-1



**IMPORTANT:** When ordering parts or requesting service always give exact model and power unit serial number. Model number is shown on nameplate attached to power unit column. Power unit serial number is located on side of power unit.

<b>OWNERS RECORD</b> Complete information at right and keep in a safe place.	Date Installed _____
	Installed in Bay # _____
	Power Unit Serial # _____
	Power Unit Model # _____
	Lift Serial # _____
	Lift Model # _____

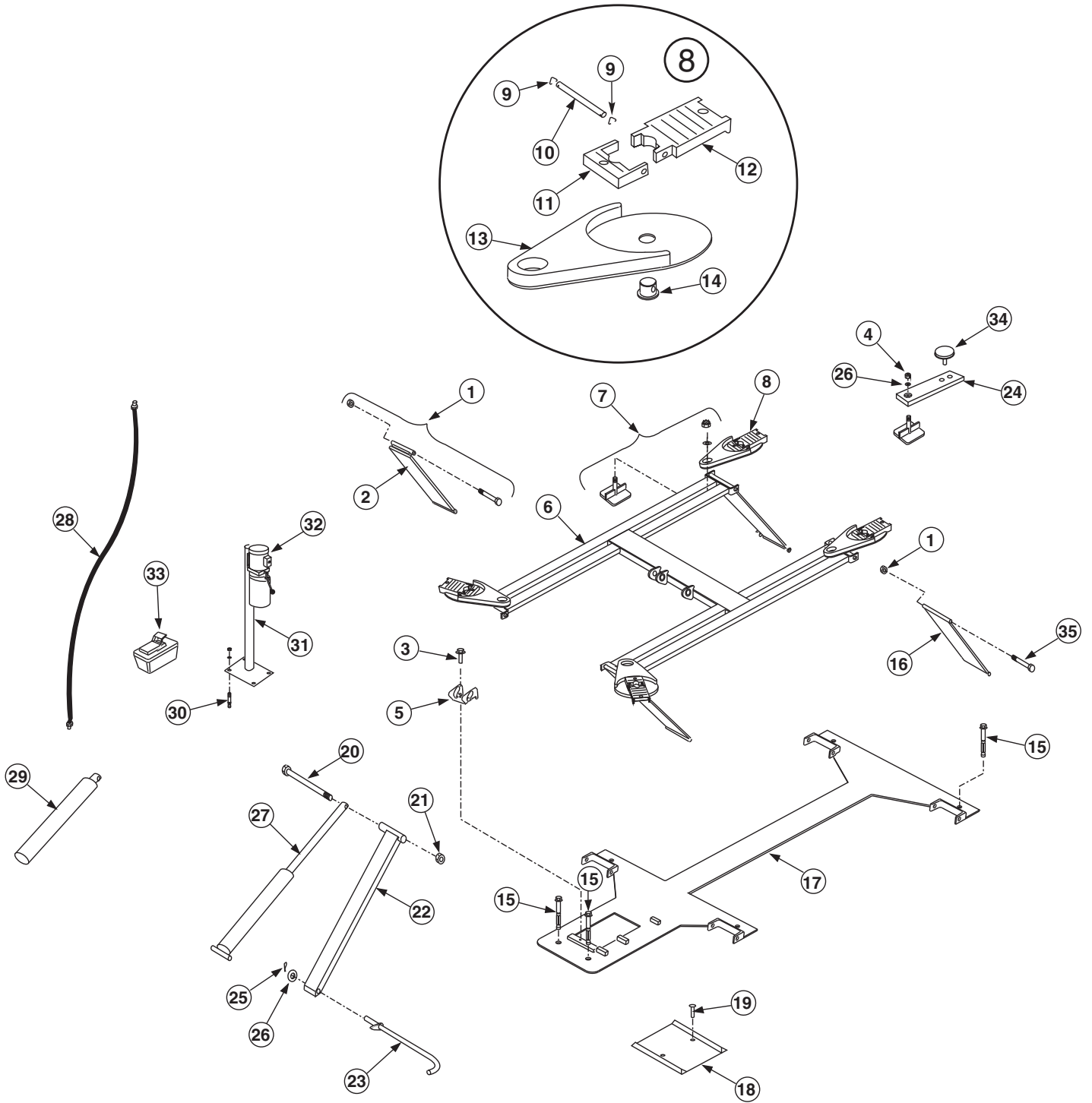
**PB 2-4-8**  
Rev. E 05/15/03



**World Leader in Lift Productivity**

ITEM #	DESCRIPTION	PART #
1	Leg Bolt Kit	FJ2260
2	Front Leg Assembly	FJ2244
3	3/8" X 1" Flange Head Cap Screw	40144
4	5/8"-18 Stover Lock Nut	FJ2375
5	Cylinder Bracket	FJ2293-1
6	Superstructure Assembly	FJ2459
7	Adapter Retainer Kit (Set of 4)	FJ2261
8	Tear Drop - Swivel Arm Adapter Asm.	FJ2379
9	3/32" Hog Ring	FJ671-6
10	Adapter Pin	FJ671-3
11	Low Step Adapter	FJ671-2
12	High Step Adapter	FJ671-1
13	Swivel Arm / Adapter Base	@
14	Adapter Swivel Pin	FJ79-6
15	3/4" Concrete Anchor	FJ2377
16	Rear Leg Assembly	FJ2245
17	Base	FJ2370
18	Wheel Spotting Dish	FF729-1
19	Drive Anchor	FJ7659-2
20	5/8"-11NC HHCS x 8 1/2" Lg. Gd. 8	40359
21	Nut	FJ2298-8
22	Locking Leg Assembly	FJ2458
23	Release Cam	FJ2294-3
24	Rectangular Arm Assembly	FJ2373
25	1/8" x 1 1/4" Cotter Pin	41201
26	Machinery Bushing Washer	FJ2252-4
27	Hydraulic Cylinder	FJ2248
28	Hose	FJ85
29	Optional Cylinder Cover	FJ2280
30	3/8" Concrete Anchor	FC5388-98
	Power Unit Stand	FJ864
31	7' Power Unit Stand (VLD6-4)	FJ2453
	Dual Power Unit Stand	FJ570
32	Power Unit (Electric version)	P833
33	Foot Pump Power Unit (Air version)	P831
34	Pad Adaptor	FJ2374

**PANZITTA SALES & SERVICE**  
**72 George Avenue**  
**Wilkes-Barre, PA 18705**  
**570-822-6720 800-822-6720**  
**www.panzittasales.com**



**PANZITTA SALES & SERVICE**  
**72 George Avenue**  
**Wilkes-Barre, PA 18705**  
**570-822-6720 800-822-6720**  
**www.panzittasales.com**