



Flight Management

# Miller GyroMixer

Door Replacement

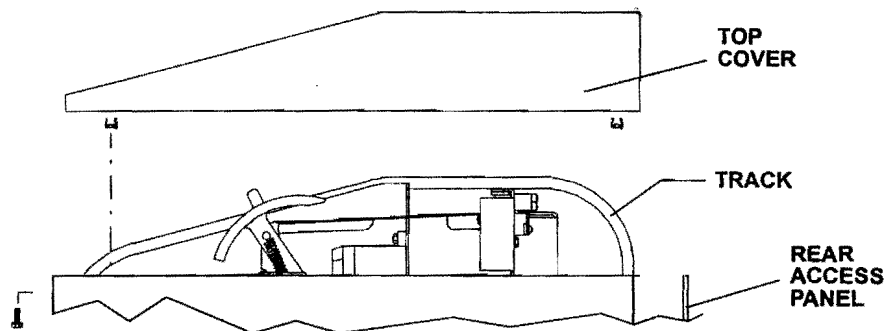
## Reinforced Door Replacement Instructions

### GENERAL

The front door of the mixer is comprised of a system of interlocking slats. The slats are assembled by sliding together end-to-end. The assembly of slats is captured at both ends by two (2) tracks. Some models have narrow tracks and others have wider ones. This kit can be used for all models. This document is intended for use by service technicians and owners while replacing this sliding door. The process will replace a damaged door with a new one.

### REPLACING THE SLIDING DOOR

1. Unplug the mixer.
2. Remove the rear access panel by loosening the six (6) screws and sliding off the mixer.
3. Remove the top cover by removing the four (4) screws from underneath.
4. Remove the two (2) screws and door stop from the right track. (Left as viewed from back.)

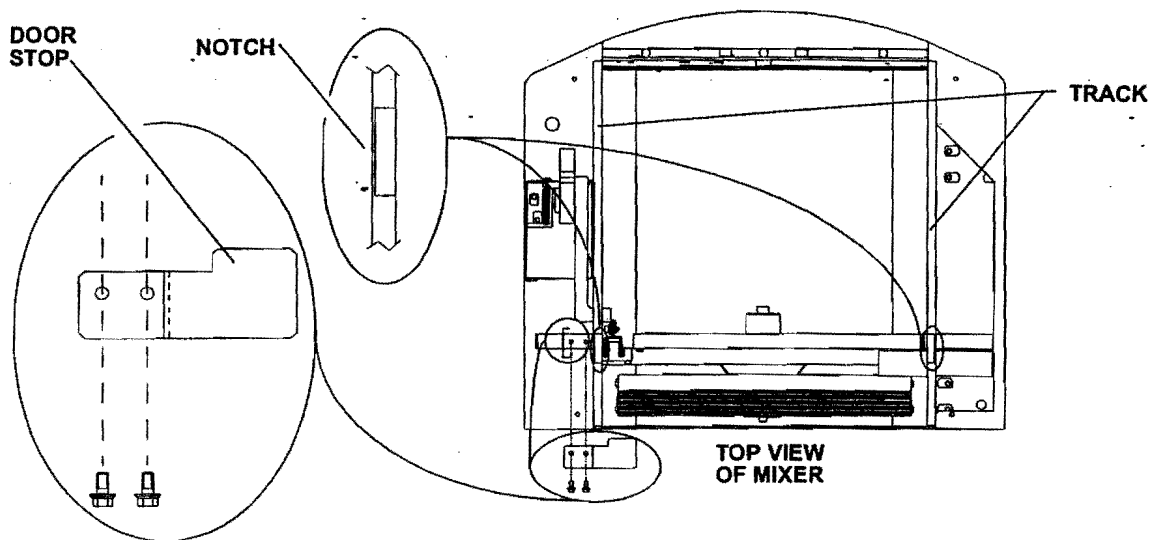


5. Close the sliding door.

1023 Wheeling Road  
Wheeling, Illinois 60090

Part # 25283  
Rev. A

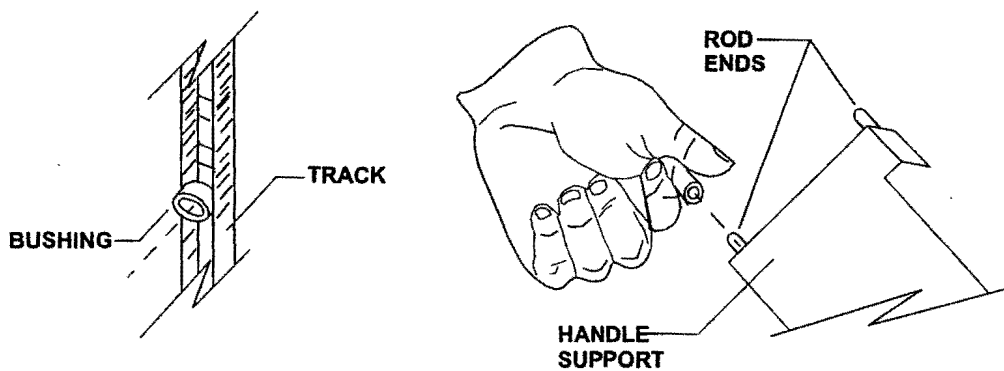
Voice (800) 462-2466  
(847) 537-0880  
FAX (847) 537-5530



6. Working at the back of the mixer, gently slide the door out of the two notches in the top of the right and left side door tracks. Discard door.
7. Clean the door tracks. (Optional: Spray silicon lubricant in tracks for smooth operation.)
8. Place the new door on a clean, flat surface.
9. Vertically apply masking tape to the slats in order to keep the slats in line.

**NOTE:** The handle portion of the door assembly has rods that are captured by the track. bushings may need to be placed over the rod ends, depending upon the size of the track. Bushings are provided with this kit. Small tracks may not require bushings.

10. Determine if bushings fit into the track. If not, Discard any left over bushings.



11. Place bushings over rod ends as needed.

12. Feed the replacement sliding door into the two notches on the top right and left side door tracks. Be sure that the handle is located to the bottom and outside of the mixer.
13. Gently glide the door all the way down.
14. Remove the masking tape.
15. Test the operation of the door by opening and closing. Make adjustments, as necessary.
16. Mount the door stop back onto the right track with the two (2) screws removed earlier.
17. Reassemble the top cover and rear access panel.
18. Restore power to the mixer.

