

SERVICE PARTS LIST INDEX

<u>Group No.</u>	<u>Group Name</u>
1	CYLINDER
2	CYLINDER HEAD
3	AIR FILTER
4	CRANKSHAFT
5	PISTONS AND CONNECTING RODS
6	INTERCOOLER-AFTERCOOLER
7	UNLOADER COVER
8	REAR RETAINER
9	FLYWHEEL
10	CRANKCASE
11	UNLOADER AND BREATHER TUBE

GASKET KIT WD8051967

TUNE UP KIT WD8051968

INCLUDES GASKET KIT, RING KIT, CONNECTING ROD INSERTS, VALVE DISKS & SPRINGS, AND AIR FILTER

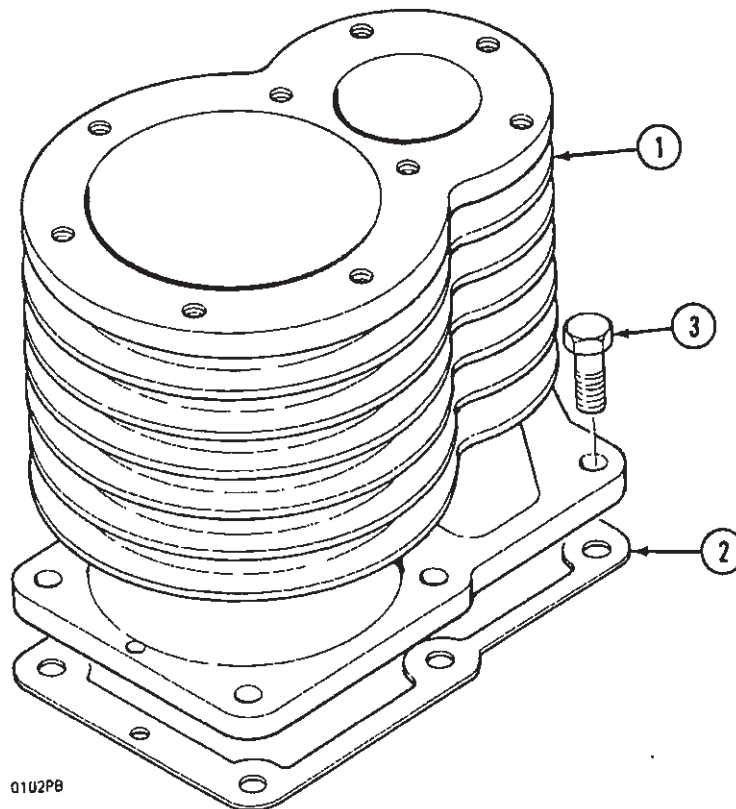
TUNE UP KIT WD8051969

INCLUDES GASKET KIT, RING KIT, CONNECTING ROD INSERTS, **NEW VALVES**, AND AIR FILTER

PANZITTA SALES & SERVICE
72 George Avenue
Wilkes-Barre, PA 18705
570-822-6720 800-822-6720
www.panzittasales.com

GROUP NO. 1 CYLINDER (GH1-756)

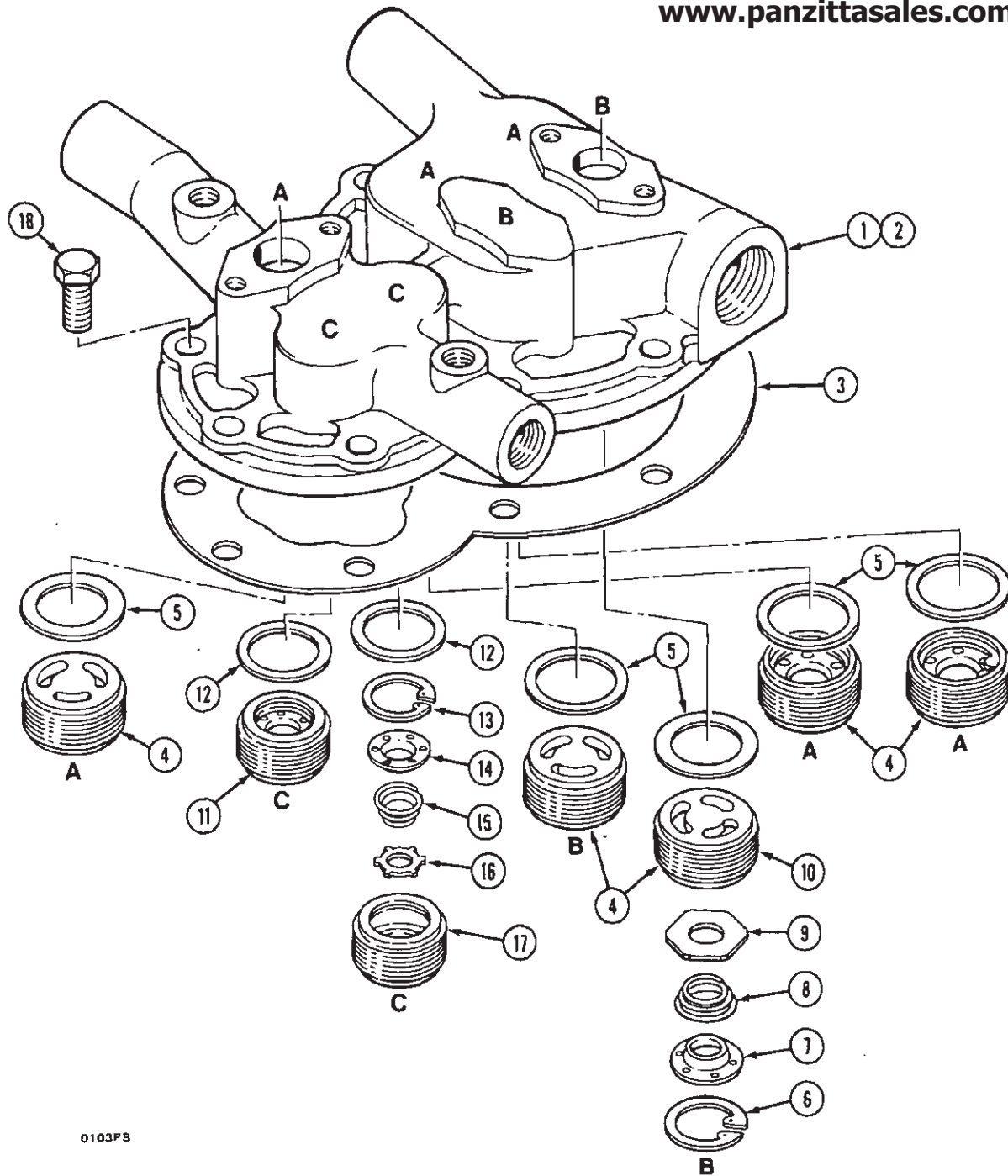
<u>Ref. No.</u>	<u>Part Description</u>	<u>Qty.</u>	<u>Part No.</u>
1	BLOCK, Cylinder	1	H1-756
2	GASKET, Cylinder	1	H16-1763
3	SCREW, Cap	6	02-54



PANZITTA SALES & SERVICE
72 George Avenue
Wilkes-Barre, PA 18705
570-822-6720 800-822-6720
www.panzittasales.com

SERIES 5000

PANZITTA SALES & SERVICE
72 George Avenue
Wilkes-Barre, PA 18705
570-822-6720 800-822-6720
www.panzittasales.com



0103PB

Group No. 2 Cylinder Head

GROUP NO. 2 CYLINDER HEAD (GH2-736)

<u>Ref. No.</u>	<u>Part Description</u>	<u>Qty.</u>	<u>Part No.</u>
1	HEAD ASSEMBLY, Cylinder	1	AH2-736
4	VALVE ASSEMBLY, Large	5	Inc. A to F AH15-1308--A
6	RING, Retaining	5	Inc. B to C H64-193--B
7	RETAINER, Valve	5	H15-1309
8	SPRING, Valve	5	H24-683
9	VALVE	5	H15-1310
10	SEAT, Valve	5	H15-1308--C
5	GASKET, Valve	5	H16-1770
11	VALVE ASSEMBLY, Medium	2	AH15-1298
13	RING, Retaining	2	Inc. D to E H64-192--D
14	RETAINER, Valve	2	H15-1299
15	SPRING, Valve	2	H24-681
16	VALVE	2	H15-1300
17	SEAT, Valve	2	H15-1298--E
12	GASKET, Valve	2	H16-1771
2	HEAD, Cylinder	1	H2-736--F
3	*GASKET, Cylinder Head 0.015 In. Thick	1	H16-1764
3	*GASKET, Cylinder Head 0.020 In. Thick	1	H16-1764-1
3	*GASKET, Cylinder Head 0.031 In. Thick	1	H16-1764-2
18	SCREW, Cap	9	02-555

HEAD OVERHALL KIT W/ VALVE SPRINGS & DISCS WD3181968
HEAD OVERHALL KIT W/ NEW VALVES WD3181969

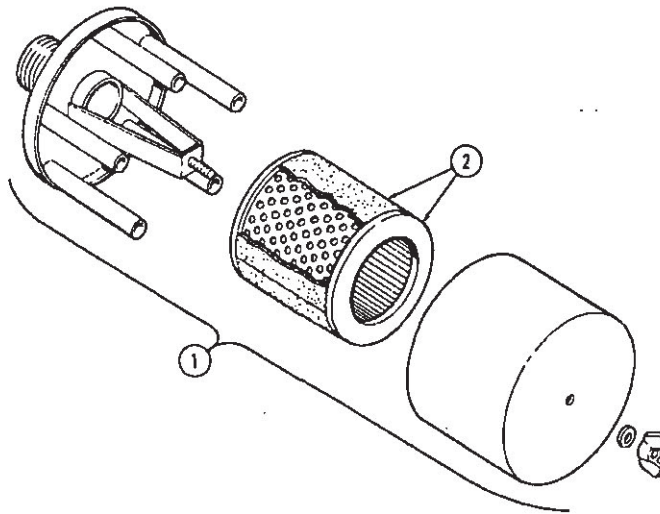
* Use as required to prevent piston from striking head.

PANZITTA SALES & SERVICE
72 George Avenue
Wilkes-Barre, PA 18705
570-822-6720 800-822-6720
www.panzittasales.com

SERIES 5000

GROUP NO. 3 AIR FILTER (GH43-661)

<u>Ref. No.</u>	<u>Part Description</u>	<u>Qty.</u>	<u>Part No.</u>
1	FILTER, Air	1	H43-661 Inc. A
2	ELEMENT	1	H43-662--A

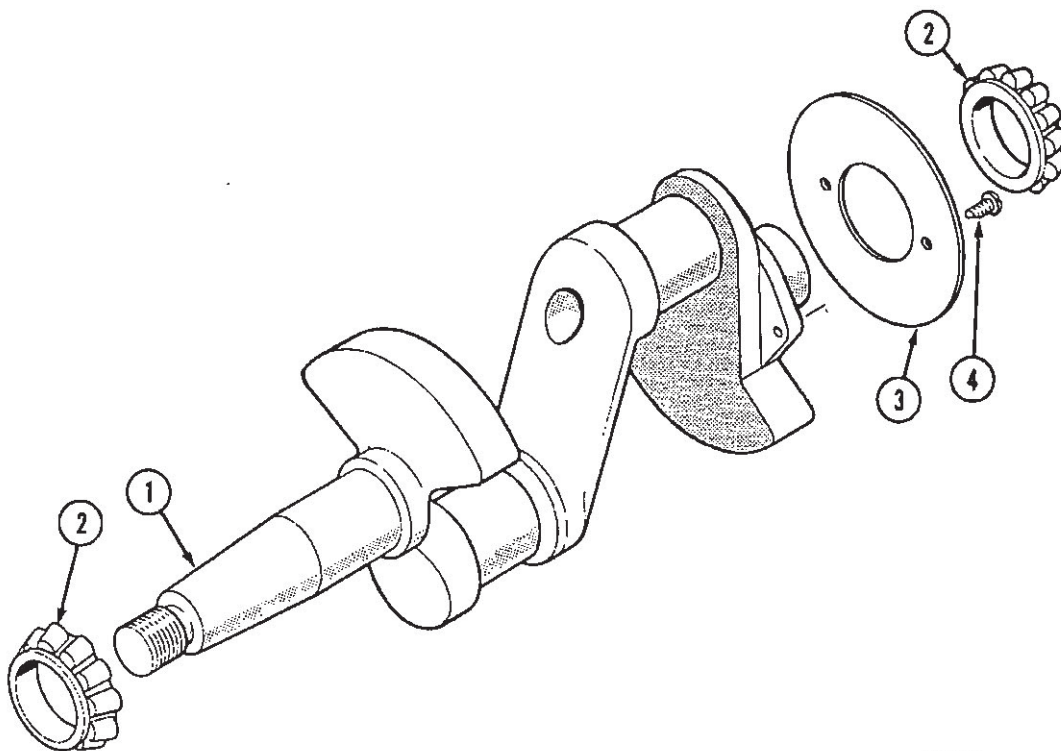


PANZITTA SALES & SERVICE
72 George Avenue
Wilkes-Barre, PA 18705
570-822-6720 800-822-6720
www.panzittasales.com

GROUP NO. 4 CRANKSHAFT (GH5-521)

<u>Ref. No.</u>	<u>Part Description</u>	<u>Qty.</u>	<u>Part No.</u>
1	CRANKSHAFT	1	H5-521
2	CONE, Bearing WD8051965	2	H181-417
3	SLINGER, Oil	1	H114-12
4	SCREW, Drive	2	03-2005

BEARING CUP WD8051966

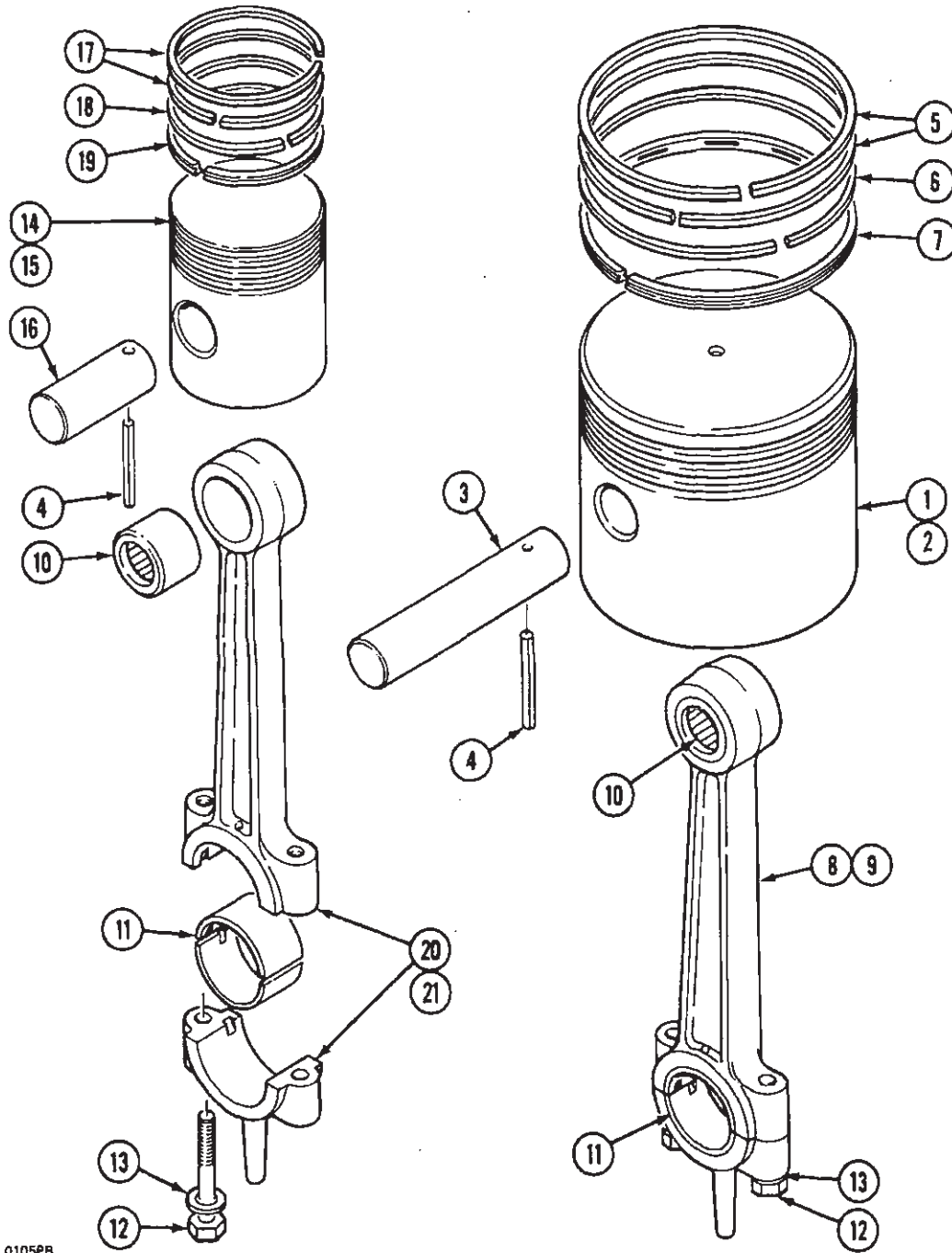


0104PB

PANZITTA SALES & SERVICE
72 George Avenue
Wilkes-Barre, PA 18705
570-822-6720 800-822-6720
www.panzittasales.com

SERIES 5000

PANZITTA SALES & SERVICE
72 George Avenue
Wilkes-Barre, PA 18705
570-822-6720 800-822-6720
www.panzittasales.com



0105PB

[RING KIT WD8051962](#)
[ROD INSERT KIT \(BOTH RODS\) WD8051963](#)
[ROD BEARING KIT \(BOTH RODS\) WD8051964](#)

Group No. 5 Pistons And Connecting Rods



GROUPS AND COMPONENTS

Group No. 5 **PISTONS & CONNECTING RODS**

MODEL
Series
5000

PART NUMBERS

Ref.	Part Description	Qty.	STANDARD					
			GH8-752	GH8-752				
			S/N 4005X 6541 and Later	S/N 4005X 6540 and Before				
14	PISTON ASSEMBLY, High Pressure	1	AH8-752 Inc. A & B	● Inc. A & B				
15	PISTON	1	H8-752--A	● --A				
16	PIN, Piston	1	H7-1125--B	● --B				
17	RING, Piston, Compression (Taper Face)	2	H38-538	●				
18	RING, Piston, Compression (Straight Face)	1	H38-540	●				
19	RING, Piston, oil	1	H38-535	●				
20	CONNECTING ROD ASSEMBLY, High Pressure	1	AH7-114-1 Inc. C to D	● Inc. C to D				
21	ROD, Connecting	1	H7-114-C	● --C				
10	BEARING, Needle (Bushing)	1	H81-983	H181-416				
12	BOLT, Connecting rod	2	H38-1264	●				
13	WASHER, Flat	2	06-3--D	● --D				
1	PISTON ASSEMBLY, Low pressure	1	AH8-751 Inc. E & F	● Inc. E & F				
2	PISTON	1	H8-751--E	● --E				
3	PIN, Piston	1	H7-1124--F	● --F				
5	RING, Piston, compression (Taper Face)	2	H38-534	●				
6	RING, Piston, compression (Straight Face)	1	H38-539	●				
7	RING, Piston, oil	1	H38-538	●				
8	CONNECTING ROD ASSEMBLY, Low Pressure	1	AH7-114-1 Inc. G to H	● Inc. G to H				
9	ROD, Connecting	1	H7-114--G	● --G				
10	BEARING, Needle (Bushing)	1	H81-983	H181-416				
22	BOLT, Connecting rod	2	H38-1264	●				
13	WASHER, Flat	2	06-3--H	● --H				
11	INSERT, Bearing	4	H21-978	●				
4	RETAINER, Piston pin	2	17-598-2	●				

Part number is same as in first column

PANZITTA SALES & SERVICE
72 George Avenue
Wilkes-Barre, PA 18705
570-822-6720 800-822-6720
www.panzittasales.com

GROUP NO. 5 PISTONS AND CONNECTING RODS (GH8-752)

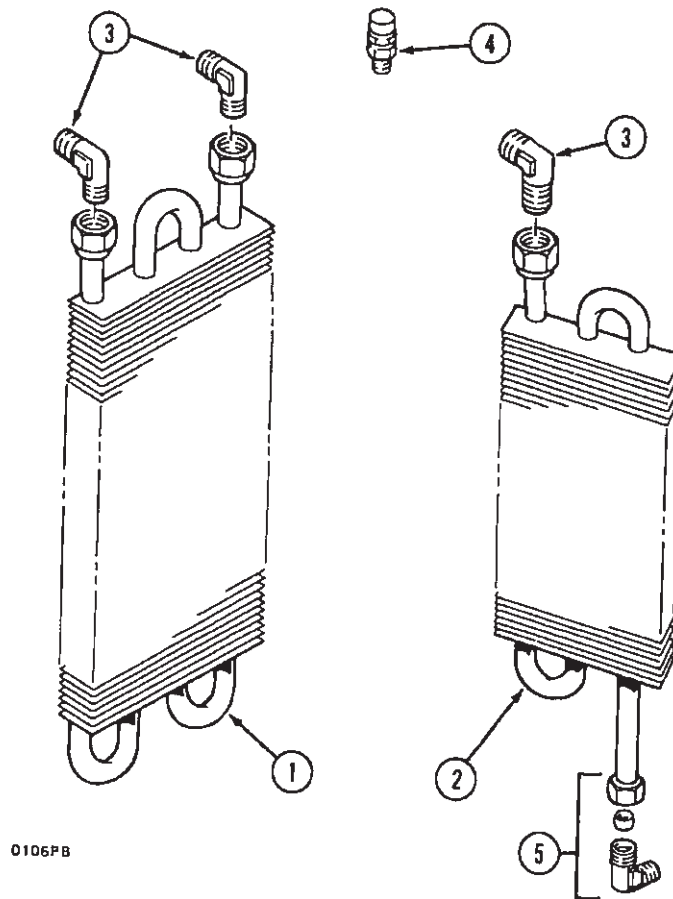
<u>Ref. No.</u>	<u>Part Description</u>	<u>Qty.</u>	<u>Part No.</u>
14	PISTON ASSEMBLY, High Pressure	1	AH8-752 Inc. A & B
15	PISTON	1	H8-752--A
16	PIN, Piston	1	H17-1125--B
17	RING, Piston, Compression (Taper Face)	2	H18-536
18	RING, Piston, Compression (Straight Face)	1	H18-540
19	RING, Piston, Oil	1	H18-535
20	CONNECTING ROD ASSEMBLY, High Pressure	1	AH7-114 Inc. C & D
21	ROD, Connecting	1	H7-114--C
10	BEARING, Needle	1	H181-416
12	BOLT, Connecting Rod	2	H34-1264
13	WASHER, Flat	2	06-3--D
1	PISTON ASSEMBLY, Low Pressure	1	AH8-751 Inc. E & F
2	PISTON	1	H8-751--E
3	PIN, Piston	1	H17-1124--F
5	RING, Piston, Compression (Taper Face)	2	H18-534
6	RING, Piston, Compression (Straight Face)	1	H18-539
7	RING, Piston, Oil	1	H18-533
8	CONNECTING ROD ASSEMBLY, Low Pressure	1	AH7-114 Inc. G to H
9	ROD, Connecting	1	H7-114--G
10	BEARING, Needle	1	H181-416
12	BOLT, Connecting Rod	2	H34-1264
13	WASHER, Flat	2	06-3--H
11	INSERT, Bearing	4	H21-978
4	RETAINER, Piston Pin	2	17-598-2

PANZITTA SALES & SERVICE
72 George Avenue
Wilkes-Barre, PA 18705
570-822-6720 800-822-6720
www.panzittasales.com

SERIES 5000

GROUP NO. 6 INTERCOOLER-AFTERCOOLER (GH71-748)

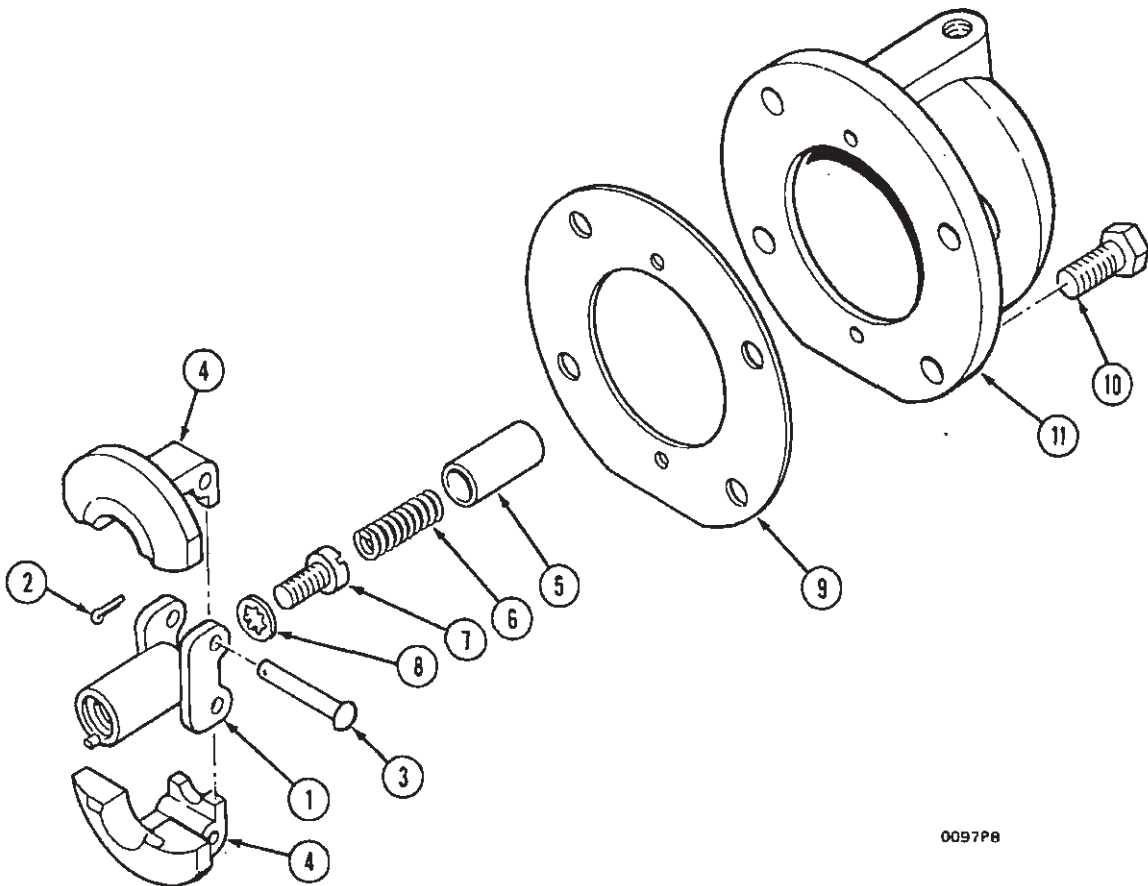
<u>Ref. No.</u>	<u>Part Description</u>	<u>Qty.</u>	<u>Part No.</u>
1	INTERCOOLER	1	H71-748
3	ELBOW	3	H182-645
4	VALVE, Relief	1	H15-1302
2	AFTERCOOLER	1	H71-749
5	FITTING, Elbow	1	H182-665



PANZITTA SALES & SERVICE
72 George Avenue
Wilkes-Barre, PA 18705
570-822-6720 800-822-6720
www.panzittasales.com

GROUP NO. 7 UNLOADER COVER (GH116-320)

<u>Ref. No.</u>	<u>Part Description</u>	<u>Qty.</u>	<u>Part No.</u>
11	COVER, Unloader	1	H116-320-1
1	POST, Weight	1	H39-4824
4	WEIGHT	2	H44-64
3	PIN	2	H17-1127
5	PLUNGER	1	H8-748
6	SPRING	1	H24-680
7	SCREW, Special	1	H34-1261
8	WASHER, Lock	1	H20-802
9	GASKET	1	H16-1757
10	SCREW, Cap	4	02-18
2	PIN, Cotter	2	03-7



0097P8

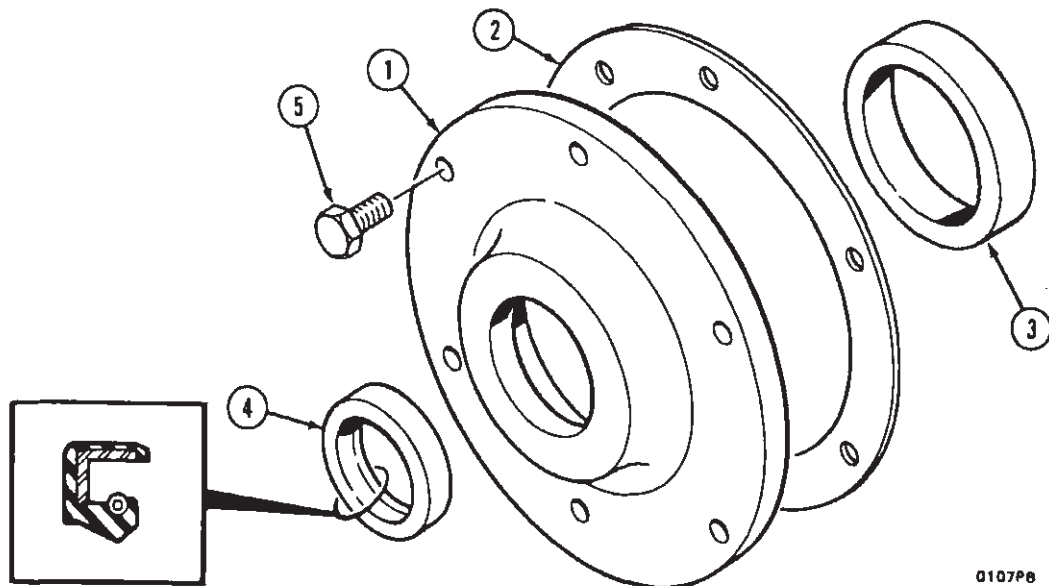
PANZITTA SALES & SERVICE
72 George Avenue
Wilkes-Barre, PA 18705
570-822-6720 800-822-6720
www.panzittasales.com

SERIES 5000

GROUP NO. 8 REAR RETAINER (GH31-753)

<u>Ref. No.</u>	<u>Part Description</u>	<u>Qty.</u>	<u>Part No.</u>
1	CAP, Bearing	1	H31-753
3	CUP, Bearing WD8051966	1	H181-415
2	*GASKET, 0.006 In. Thick	1	H16-1765
2	*GASKET, 0.010 In. Thick	1	H16-1765-1
2	*GASKET, 0.015 In. Thick	1	H16-1765-2
5	SCREW, Cap	6	02-18
4	SEAL, Oil	1	H125-749

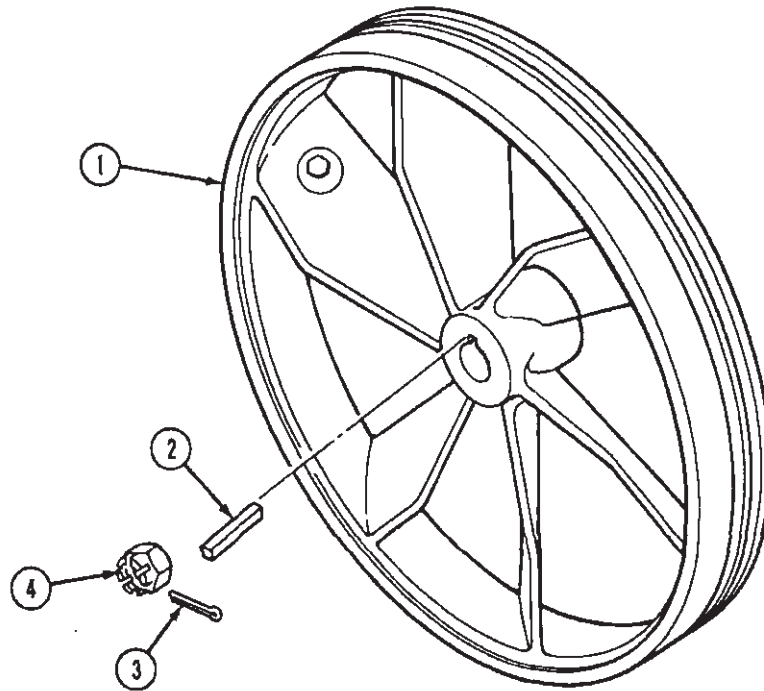
* Use as required to insure Crankshaft end play of 0.001-0.003 In.



PANZITTA SALES & SERVICE
72 George Avenue
Wilkes-Barre, PA 18705
570-822-6720 800-822-6720
www.panzittasales.com

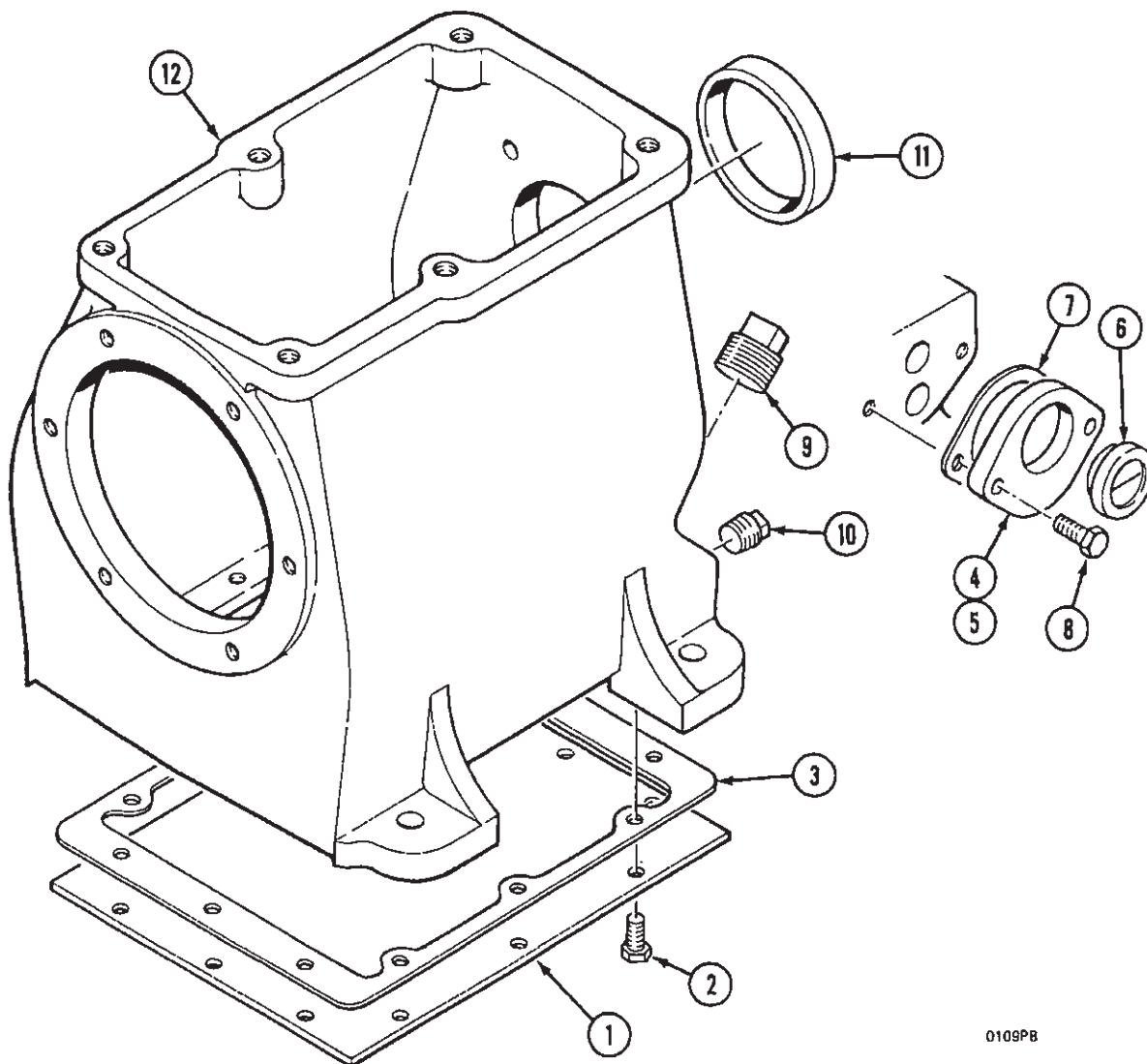
GROUP NO. 9 FLYWHEEL (GH9-750)

<u>Ref. No.</u>	<u>Part Description</u>	<u>Qty.</u>	<u>Part No.</u>
1	FLYWHEEL ASSEMBLY	1	AH9-750
2	KEY	1	09-30
4	NUT, Castellated	1	04-809
3	PIN, Cotter	1	07-45



0108PB

PANZITTA SALES & SERVICE
72 George Avenue
Wilkes-Barre, PA 18705
570-822-6720 800-822-6720
www.panzittasales.com



0109PB

PANZITTA SALES & SERVICE
72 George Avenue
Wilkes-Barre, PA 18705
570-822-6720 800-822-6720
www.panzittasales.com

GROUP NO. 10 CRANKCASE (GH100-213)

<u>Ref. No.</u>	<u>Part Description</u>	<u>Qty.</u>	<u>Part No.</u>
12	CRANKCASE	1	H100-213
11	CUP, Bearing	1	H181-415
1	PLATE, Bottom	1	H14-1420
3	GASKET, Bottom Plate	1	H16-1766
2	SCREW, Cap	12	H34-1265
5	GAGE ASSEMBLY, Sight	1	AH60-431 Inc. A & B
6	GAGE, Sight	1	H60-431--A
4	FLANGE	1	H54-714--B
7	GASKET	1	H16-1760
8	SCREW, Cap	2	02-18
9	PLUG, Filler	1	011-205
10	PLUG, Drain	1	011-2

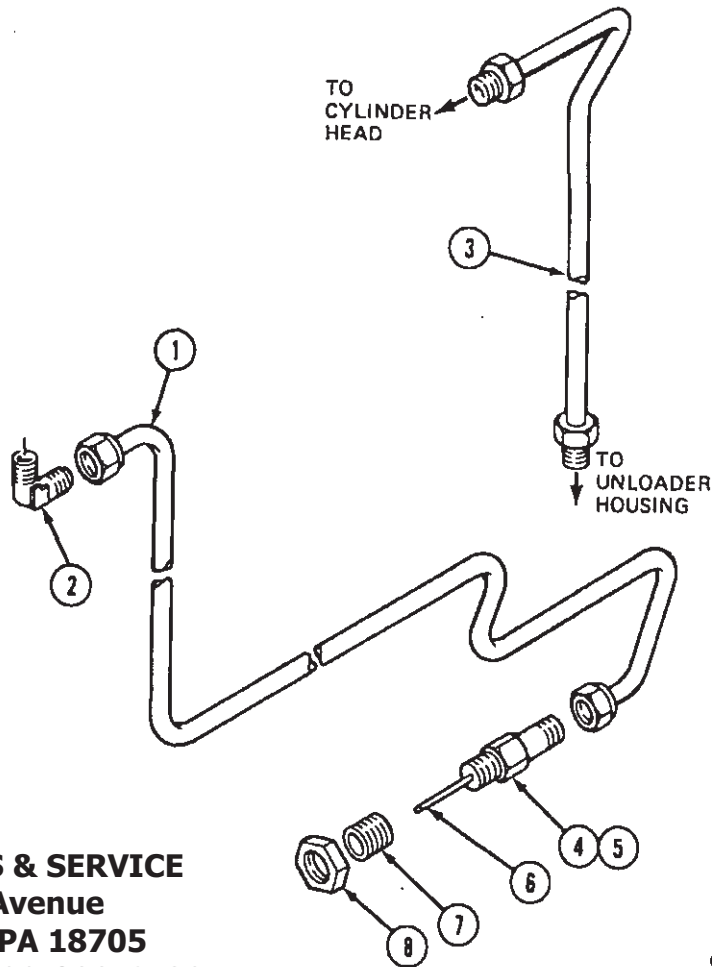
PANZITTA SALES & SERVICE
72 George Avenue
Wilkes-Barre, PA 18705
570-822-6720 800-822-6720
www.panzittasales.com

SERIES 5000

GROUP NO. 11 UNLOADER AND BREATHER TUBES (GH55-1735)

<u>Ref. No.</u>	<u>Part Description</u>	<u>Qty.</u>	<u>Part No.</u>
1	TUBE, Unloader	1	H55-1735
2	ELBOW, Tube	1	H182-383
4	VALVE ASSEMBLY, Release	1	AH15-1301 Inc. A to B
5	VALVE, Release	1	H15-1301--A
6	PLUNGER	1	H8-753
7	BUSHING	1	H21-977
8	NUT, Jam	1	H53-545--B
3	TUBE ASSEMBLY, Breather	1	H55-1734 Inc. C
9	CONNECTOR, Male	1	182-14--C

ITEMS 4 THROUGH 8 WD3181967



PANZITTA SALES & SERVICE
 72 George Avenue
 Wilkes-Barre, PA 18705
 570-822-6720 800-822-6720
 www.panzittasales.com

0110PB