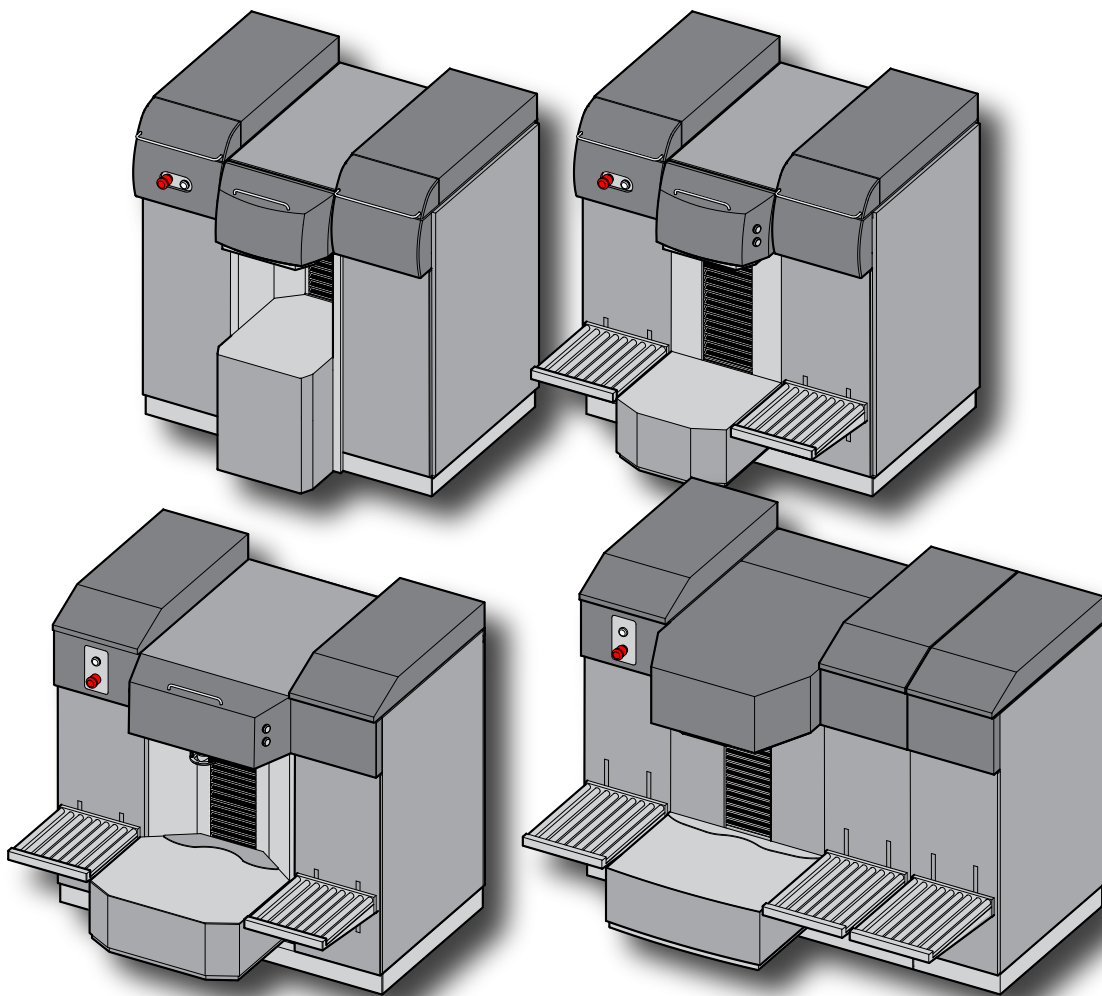


# COROB D600 - D700 - D800TX

## Automatic dispenser User's Manual



User's manual  
Automatic dispenser  
**COROB D600 - D700 - D800TX**  
Version 3.0 - R) (0) /20&%)  
TRANSLATION OF THE ORIGINAL INSTRUCTIONS

© COPYRIGHT 20&%, COROB S.p.A.  
All rights reserved in all countries  
If you require additional copies of this manual or further technical information about it, please write to:

**COROB S.p.A.**  
**Via Agricoltura 103 • 41038 San Felice s/P • Modena • Italy**  
**Phone: +39-0535-663111 • Fax: +39-0535-663285**  
**Web site: [www.corob.com](http://www.corob.com)**  
**Email: [info.it@corob.com](mailto:info.it@corob.com)**

#### **INTELLECTUAL PROPERTY RIGHTS AND DISCLAIMER**

No part of this manual may be translated into any other languages and/or adapted and/or reproduced in any form, or by any means, electronic or mechanical, including but not limited to photocopying and recording, without prior written permission of COROB S.p.A..

COROB is a registered trademark and/or commercial trademark used on an exclusive basis by COROB S.p.A. and its affiliated companies (hereinafter "COROB").

A failure of a trademark to appear hereunder does not mean that COROB does not use the trademark in question nor does it constitute a waiver by COROB of any related intellectual property rights.

Valuable proprietary technical information contained in the present manual are referring to proprietary know-how, designs, drawings and/or applications used on an exclusive basis by COROB frequently covered by Patents and/or Patent Applications and thus protected by International and National Intellectual Property Laws.

Unless otherwise indicated, all references to other companies other than COROB and its affiliated companies, their names, data and addresses used in the screens and/or examples are purely coincidental and serve as a reference only to clarify the use of the COROB products.

COROB has carefully reviewed the wording and images contained in the present manual, nevertheless COROB reserves the right to modify and/or update the information herein to correct editorial errors and/or inaccuracy of the information herein without notice or commitment on its part.

The present manual contains all information necessary for the foreseeable and normal use of the COROB products by the final user.

The manual does not contain guidelines and/or information for product repair. For safety reasons, only trained and authorized technical personnel should perform such interventions. Failure to do so may result in personal injury or damage to the product.

For the purpose mentioned above, COROB has appointed authorized technical personnel.

Authorized technical personnel shall mean technicians who have attended a technical training course held by COROB and/or its affiliated companies.

Unauthorized interventions could void the warranty coverage of your COROB product pursuant to the sales contract or to the General Sales Conditions of COROB. COROB can be held responsible only within the limits of the warranty coverage provided by the General Sales Conditions. COROB does not intend to limit or exclude its liability against any statutory provisions under any applicable law. Therefore the reference to above warranty limitations or exclusions may not apply.

The final user can ask COROB or visit the web site [www.corob.com](http://www.corob.com) for contact details about the nearest authorized technical service.

## QUICK GUIDE

---

### At the beginning of the working day

- Check that the nozzle center is clean.
- (With humidifier system for solvent-based colorants or without humidifier system) Check that the sponge is clean and saturated; if it is necessary to saturate, use only appropriate liquid (the choice of the liquid depends on the nature of the colorants, and must be done directly by the manufacturer of the products used).
- (With humidifier system for water-based colorants) Check that the water in the bottle is not below the minimum level.
- Carry out system Initialization and Purge.

### Things to remember

- Never let the machine OFF.
- In the canisters, stirring of each colorant takes place automatically (stirring times can however be customized).
- Be careful not to fill the canisters with too much colorant. In case of overfilling, act as indicated in the user's manual.
- The colorant to be poured inside the canisters must be stirred manually. Do not use automatic shakers.
- Close the canisters with their lids right after filling operations.
- Remember to update accordingly the canisters filling levels via the management software.
- (With humidifier system for solvent-based colorants or without humidifier system) The sponge must be saturated at least twice a week (the frequency of intervention is indicative, since it depends on the nature of colorants and the environment conditions).
- (With humidifier system for water-based colorants) Top up the water bottle as soon as the minimum level is reached. Do not exceed the maximum level.

### At the end of the working day

- Refill the canisters.
- Update the canister filling levels in the management software.
- Shut down the computer. Do not shut off the machine.

**It is recommended to carefully read the user's manual.**



# CONTENTS

---

---

<b>1</b>	<b>GENERAL INFORMATION</b>	<b>7</b>
1.1	Purpose and use of this manual	7
1.1.1	<i>Conventionally used graphics</i>	7
1.2	Definitions	7
<b>2</b>	<b>FEATURES</b>	<b>9</b>
2.1	Description of the machine	9
2.2	Description of units	10
2.3	Standard and optional configurations	12
2.4	Usable cans	12
2.5	Intended use	13
2.6	Identifying information	13
<b>3</b>	<b>SAFETY</b>	<b>15</b>
3.1	Safety warnings and unauthorized use	15
3.2	Warnings on the use of colorants	16
3.3	Residual risks	17
3.4	Position of labels	18
3.5	Safety devices	19
3.6	Requirements of the installation site	20
<b>4</b>	<b>SHIPPING AND HANDLING</b>	<b>21</b>
4.1	General warnings	21
4.2	Unpacking and placement	21
4.2.1	<i>Adjusting the support feet</i>	24
4.2.2	<i>Standard material supplied</i>	25
4.3	Installation	25
4.4	Storage	25
4.5	Disposal and recycling	26
<b>5</b>	<b>START-UP</b>	<b>27</b>
5.1	General warnings	27
5.2	Control devices and connections	28
5.3	Electrical connection and start-up	29
5.4	Initialization	29
5.5	Emergency stop	30
5.6	Shut-down	30
<b>6</b>	<b>USING THE DISPENSER</b>	<b>31</b>
6.1	General warnings	31
6.2	At the beginning of the working day	31
6.3	Running the machine	31
6.3.1	<i>Loading the can - Semiautomatic shelf</i>	32
6.3.2	<i>Loading the can - Automatic shelf</i>	33
6.3.3	<i>Loading the can - Panel roll conveyor</i>	33
6.3.4	<i>Use of the can centering device</i>	34
6.3.5	<i>Use of the Bung Hole Locator</i>	34
6.3.6	<i>Punching the can</i>	35
6.3.7	<i>Dispensing</i>	36
6.4	Automatic processes	36
6.5	Refilling the canisters	37
6.6	Troubleshooting	39
<b>7</b>	<b>ORDINARY MAINTENANCE</b>	<b>41</b>
7.1	General warnings	41
7.2	Maintenance table	41
7.3	Products to be used	41
7.4	External cleaning	42

7.5	Cleaning the nozzle center.....	42
7.6	Cleaning and moistening the humidifier cap sponge .....	43
7.7	Checking and replacing the puncher .....	45
7.8	Refilling the humidifier system bottle .....	46
<b>8</b>	<b>TECHNICAL SPECIFICATIONS .....</b>	<b>47</b>
8.1	Technical data.....	47
8.2	Dimensions .....	48
8.3	Declaration of conformity .....	50
8.4	Warranty.....	50

# 1 GENERAL INFORMATION

## 1.1 Purpose and use of this manual

**Read this manual carefully before using the machine.**

This manual, inserted in the product packing, contains instructions on the use and routine maintenance needed to uphold the machine's performance over time. The manual contains all information needed to correctly use the machine and avoid any accident.

The manual is to be considered an integral part of the machine, and must be stored until it is fully dismantled.

The manual contains all information available at the time of preparation regarding the machine and any accessories; for accessories, the manual includes any variations or changes that involve different operating procedures.

Should it be lost or partially ruined, so that its contents can no longer be read in full, you must request a new manual from the manufacturer.

**If the images contained in this manual show the machine without the guards and/or employees without personal protective equipment, it is only for the purpose to make clearer the discussion of the issues.**

**Some of the illustrations in this manual were taken from prototypes; some details may differ on machines in standard production.**

### 1.1.1 Conventionally used graphics

**Boldface** type is used to highlight notes or information of particular importance to a topic.



#### **DANGER**

Indicates a risk of personal injury.



#### **WARNING**

Indicates a risk of damage to the machine that could interfere with its operation.



*Indicates a risk of damage to the machine that could interfere with its operation.*



*Indicates situations and/or operations that involve the management software installed on the computer.*



*Indicates situations and/or operations that involve the management software installed on the computer.*

## 1.2 Definitions

### **OPERATOR**

A person familiar with the methods to produce paints or similar products, trained and authorized to operate and use the machine by its controls and to load and unload production materials with all safety devices installed and enabled. He or she must work only in safety conditions and is allowed to carry out routine maintenance operations.

### **MAINTENANCE TECHNICIAN/INSTALLATION TECHNICIAN**

Specialist prepared and trained in a technical field (mechanical and electrical) and assigned by the manufacturer to work on the machine to perform machine installation, adjustments, repair breakdowns or carry out maintenance.

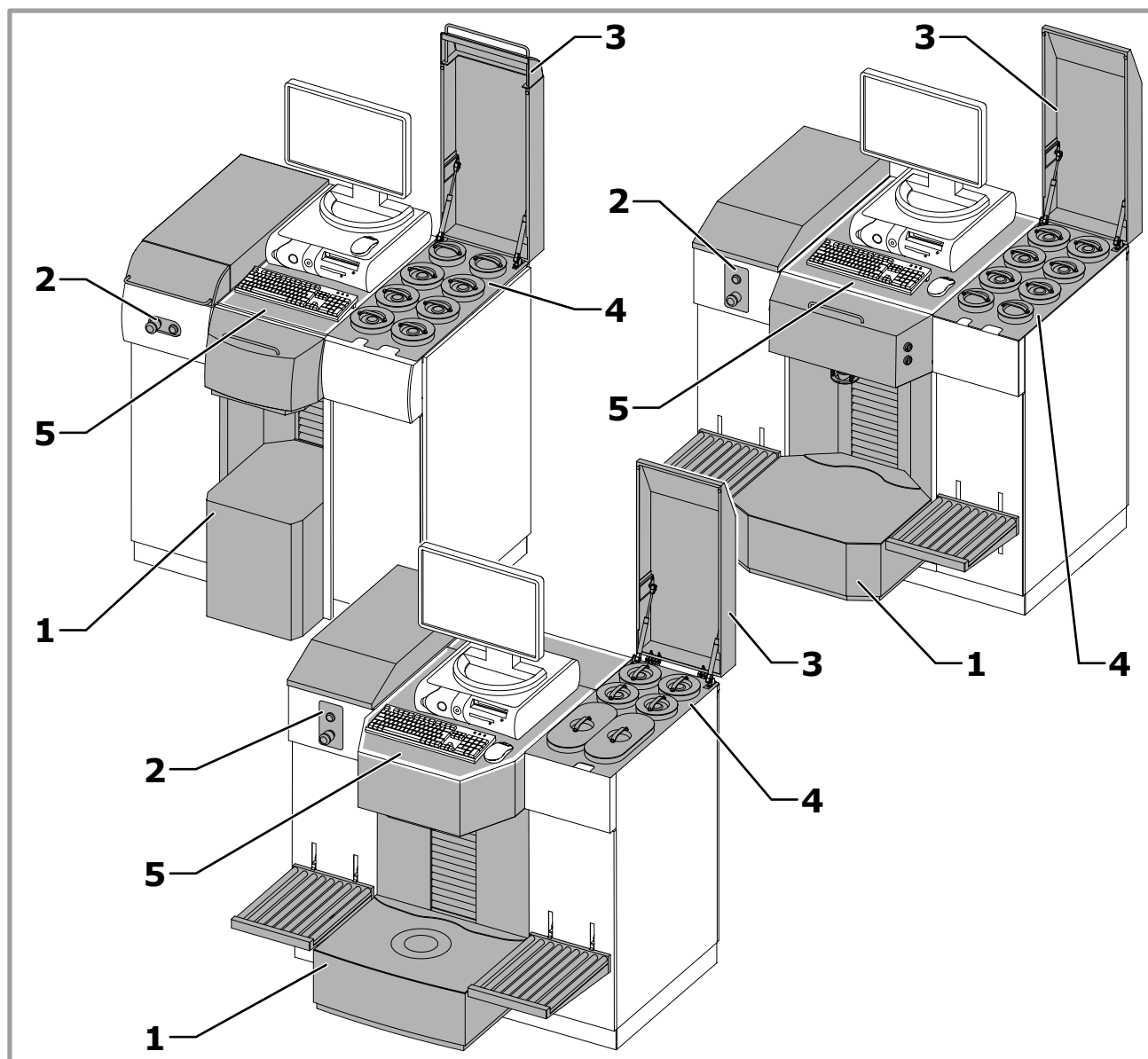
## **FEATURES**



## 2 FEATURES

### 2.1 Description of the machine

The **COROB D600 - D700 - D800TX** automatic dispensers are devices to automatically dispense fluid colorant products into containers (metal or plastic canisters, cans or bins) of the size indicated in this manual, pre-filled with base, to produce finished products such as paints, dyes, enamels, and inks of the desired hue, chosen by means of the machine management software.



The dispenser consists of:

1. Dispensing area and can handling system.
2. Control panel.
3. Upper covers.
4. Canister filling area.
5. Computer support surface.

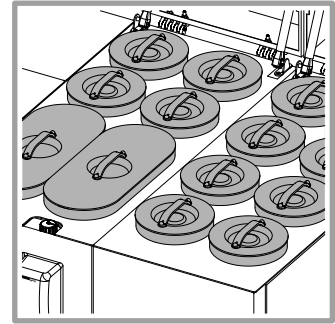
The dispenser is fully managed by a normal personal computer that can be provided upon request, since it is not supplied as standard together with the machine. The manufacturer can also supply a wide range of software applications to manage all of the machine's functions.

## FEATURES

### 2.2 Description of units

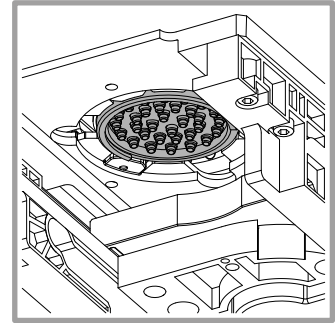
#### Canisters

The machine canisters can be of different capacities and are suitable for containing the product to be dispensed. Covers in the upper part of the machine provide access for filling the canisters. Each canister has its own lid.



#### Nozzle Center

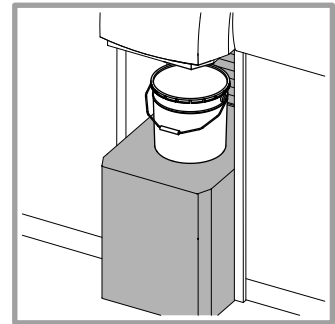
The ends of the dispensing pipes coming from the canisters converge and are fixed to the nozzle center, from which the tinting product to fill the can is dispensed.



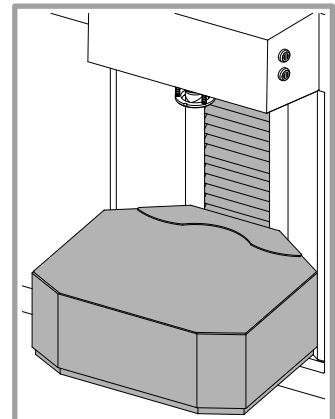
#### Shelf

The can shelf allows for the correct positioning of the can under the dispensing nozzles.

The *Automatic shelf* is managed by the computer that controls its movement and checks that the can placed on it is actually the one selected for dispensing. A photocell checks for the presence of the can and that the shelf is correctly positioned.

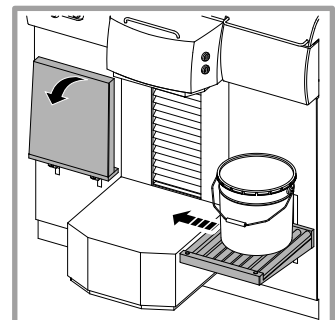


The *Semiautomatic shelf* is commanded by the operator with the activation buttons (two-handed control); the shelf stops when the can is detected by the photocell.



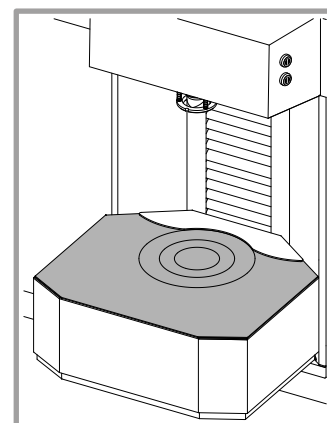
#### Tipping panel roll conveyor system

An optional system made up of tipping panel roll conveyors is available to facilitate the loading of cans; the conveyors are fixed to the front panels of the machine and allow heavy cans to be eased as far as the shelf.



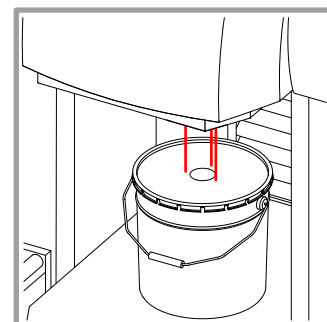
**Can centering device**

On the machine accessorized with punching system, a centering device is mounted on the shelf. The can centering device is custom-made based on the size of the cans to be handled and is useful for aligning them with the nozzle center, so that the can lid is punched in the middle and dispensing takes place precisely into the hole created. The can centering device is also available as an optional accessory to the standard machine, useful for positioning pre-punched cans right under the dispensing center.



**Bung Hole Locator (B.H.L.)**

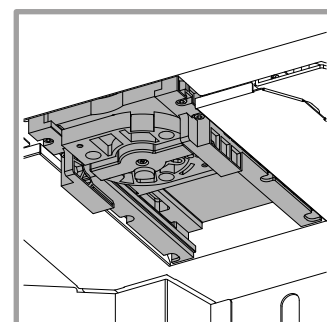
This is a system that emits laser beams that allow the positioning of pre-punched cans, so that the hole is in line with the center of the dispensing nozzles.



**Nozzle Humidifier Cap**

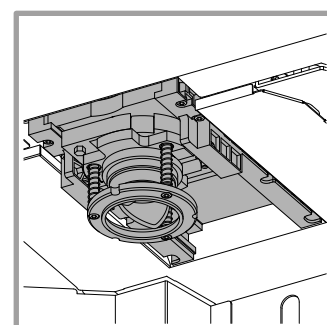
Colorants tend to dry out; this tendency may be more or less strong depending on the type of colorant and the environment conditions (temperature, relative humidity, etc.). To prevent colorants from drying out in the nozzle center, the machine is equipped with a humidifier cap which requires constant maintenance.

The *Lift-up Autocap* is an automatic humidifier cap which ensures that the nozzles are hermetically sealed. It is managed by the software, which opens it automatically before dispensing and closes it immediately afterwards.



**Manually-operated automatic puncher**

The puncher is a device that perforates the can lid. Punching is carried out by the operator by pushing contemporaneously the semiautomatic shelf activation buttons (two-handed control); thanks to the upward movement, the shelf pushes the can resting on it against the puncher, and with a downward movement brings it to the correct position for dispensing.

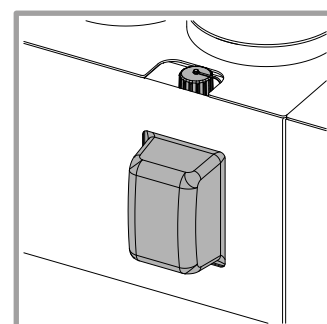


**No-Dry-Nozzle Humidifier System**

The humidifier system for water-based colorants guarantees the nozzles are humidified not only with Autocap closed but also during dispensing. The air, humidified by the water contained in the bottle, is transferred to the nozzles area. Based on the humidity level detected, the system activates or shuts off whenever needed.

The humidifier system for solvent-based colorants humidifies the nozzles when Autocap is closed. The solvent, contained in a small tank inside the Autocap, keeps the nozzles area constantly saturated.

The two systems can be used individually or together according to the tinting system used on the machine.



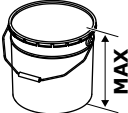
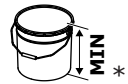
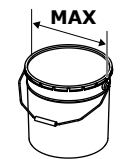


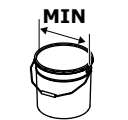
## FEATURES

### 2.3 Standard and optional configurations

	D600 TE	D600 TI	D700	D800TX
<b>Canister capacity</b>	3 Quarts - 4 Quarts - 6 Quarts - 4 Gallons (3 - 4 - 6 - 15 liters) 9.5 Quarts - 5.3 Gallons (9 - 20 liters) <i>(only on large additional canister modules)</i>			
<b>Number of circuits</b>	maximum 24		maximum 32	
<b>Circuit with Standard pump</b>	standard			
<b>Nozzle center flow diameter*</b>	1.10" (28 mm) (16) 1.54" (39 mm) (17-20) 1.77" (45 mm) (21-24)		1.10" (28 mm) (16) 1.54" (39 mm) (17-20) 1.77" (45 mm) (21-32)	
<b>Punching diameter</b>	1.85" (47 mm) (20) 2.17" (55 mm) (21-24)		47 mm (20) 55 mm (21-32)	
<b>Additional canister modules</b>	maximum 2		maximum 4	
<b>Lift-up Autocap</b>	standard			
<b>Semiautomatic shelf</b>	standard	optional	standard	
<b>Automatic shelf</b>	optional	standard	\	optional
<b>Manually-operated automatic puncher</b>	optional <i>(with semiautomatic shelf)</i>		optional	optional <i>(with semiautomatic shelf)</i>
<b>Panel roll conveyors</b>	standard		optional	
<b>Laser Bung Hole Locator (B.H.L.)</b>	optional			
<b>No-Dry-Nozzle Humidifier System</b>	optional			
<b>Circuit with LAB pump</b>	optional			
<b>Circuit with HF pump**</b>	optional			

\* Hole diameter for pre-punched cans = flow diameter + 0.59" (15 mm). The diameter may also vary based on the partition of water/solvent circuits of the machine. \*\* One HF circuit replaces two standard circuits.

### 2.4 Usable cans

	D600 TE		D600 TI		D700		D800TX	
	Standard	With puncher	Standard	With puncher	Standard	With puncher	Standard	With puncher
	19.9" (505 mm)	17.7" (450 mm)	15.9" (405 mm)	13.6" (345 mm)	19.3" (490 mm)	16.9" (430 mm)	17.7" (450 mm)	15.4" (390 mm)
	2.8" (70 mm)	5.1" (130 mm)	2.4" (61.5 mm)	5.1" (130 mm)	2.8" (70 mm)	5.1" (130 mm)	2.8" (70 mm)	6.1" (155 mm)
	14.2" (360 mm)		13.4" (340 mm)	12.6" (320 mm)	14.2" (360 mm)		14.2" (360 mm)	
	2.3" (60 mm)	3.9" (100 mm)	2.3" (60 mm)	3.9" (100 mm)	2.3" (60 mm)	3.9" (100 mm)	3.9" (100 mm)	

\* Due to the high fill level of 1-Pint and 1-Quart cans (0.5 and 1-liter cans), COROB advises not to perforate them.

## 2.5 Intended use

---

The machine is intended for professional use to dispense colorants in small, medium and large point of sales or professional paint stores.

The machine must be used only with cans within the limits set forth in chapter 2.4 (Usable cans), with the colorants specified in the table of chapter 8.1 (Technical data) and according to the procedures described in this manual.

Any use of the machine other than that stated, which cannot be implied or deduced from this manual, is to be considered improper and unintended therefore it voids any manufacturer's liability arising from non-compliance with these requirements.

## 2.6 Identifying information

---

The machine has an identification plate (chapter 3.4) indicating:

1. Manufacturer's name.
2. CE and WEEE marking.
3. Machine model.
4. Year of manufacture.
5. Serial number.
6. Electrical specifications.



*Do not remove or tamper with the identification plate in any way.*

**SAFETY**

## 3 SAFETY

### 3.1 Safety warnings and unauthorized use



#### COMPULSORY

- **Read the user's manual carefully before carrying out any operation on the machine.**
- The machine must be used only for its intended purpose.
- Pay close attention to the signs on the machine.
- When prescribed, wear personal protective equipment.
- Only qualified and appropriately trained personnel (MAINTENANCE TECHNICIAN) are authorized to access the machine parts protected by panels for extraordinary maintenance and repair interventions.
- Any routine maintenance intervention performed by the operator must be carried out with the machine off and the power supply cable disconnected from the mains socket outlet.
- The machine must be used by **a single operator**. Unauthorized people who could reach or touch machine parts during operation must not be admitted in the nearby area.
- The machine must be used by an operator who has attained the age of majority and is in suitable psychophysical conditions defined by an occupational physician.
- The substances that may be used on the machine -- such as colorants, paints, solvents, lubricants and cleansers -- may be hazardous to your health; handle, store and dispose of these substances in keeping with current regulations and the instructions provided with the product.



#### PROHIBITED

- The machine must not be used with cans exceeding the limits set forth in chapter 2.4 (Usable cans) and with colorants other than those specified in the technical data table.
- **THE MACHINE MUST NOT BE USED IN AREAS AT RISK FOR EXPLOSION.**
- Avoid naked flames or material that may create sparks and cause a fire.
- The machine must not be employed for food use.
- The OPERATOR must not carry out operations reserved to the MAINTENANCE TECHNICIAN or the INSTALLATION TECHNICIAN. The manufacturer CANNOT BE HELD RESPONSIBLE for damages deriving from the non-observance of this prohibition.
- It is strictly forbidden to use the machine without protections or with any safety devices present on the machine disabled, broken down, or removed. The panels must be kept closed at all times.
- Do not stare the light source of the Laser Bung Hole Locator (Class II laser product).
- If the machine catches fire, **never use water**. Use only dry powder or carbon dioxide fire extinguishers, and strictly follow the instructions and warnings indicated by the manufacturer and listed on the extinguisher.



#### ELECTRICAL DANGER

- **ALWAYS PLUG THE MACHINE INTO A SOCKET THAT ENSURES PROPER GROUNDING.** The line must be protected from overloads, short-circuits and direct contacts according to current accident prevention regulations. Incorrect grounding may lead to the risk of electrical shock.
- The machine must not be powered by a power source having specifications other than those listed on the identification plate.
- In the event of a sudden power outage, when power returns the machine will automatically be switched on to allow the automatic processes to prevent products from drying out.
- To prevent any risk of electrical shock or injuries, use the machine indoors only. It is prohibited to use the machine outdoors where it could be subjected to rain or high humidity.
- Always unplug the power supply cable from the socket outlet before carrying out any maintenance operations.
- The machine is isolated from the power supply line when the power cable is disconnected; it must therefore be installed near an easily accessible mains socket outlet.

## SAFETY

- Do not use extension cords to power the machine.
- Do not use multisockets to connect other equipment to the same socket that powers the machine. Make sure that the power supply of the equipment connected to the machine via serial port, like the computer, is equipotential (which has a single access point to earth) because potential differences cause interferences and/or damage to the serial ports.
- Periodically check the condition of the power supply cable; if it is damaged, replace it with a new cable supplied by the manufacturer.

## 3.2 Warnings on the use of colorants

---



### DANGER

---

The machine is suitable for use with tinting products in general. Scrupulously follow the instructions for use given on the colorant package and carefully read the **MATERIAL SAFETY DATA SHEETS (MSDS)** that the dealer or manufacturer of the product is required to provide.

Observe all of the safety instructions provided. When compulsory, wear the specified personal protective equipment.






















---

Below are some of the most common warnings and safety precautions provided by colorant manufacturers.

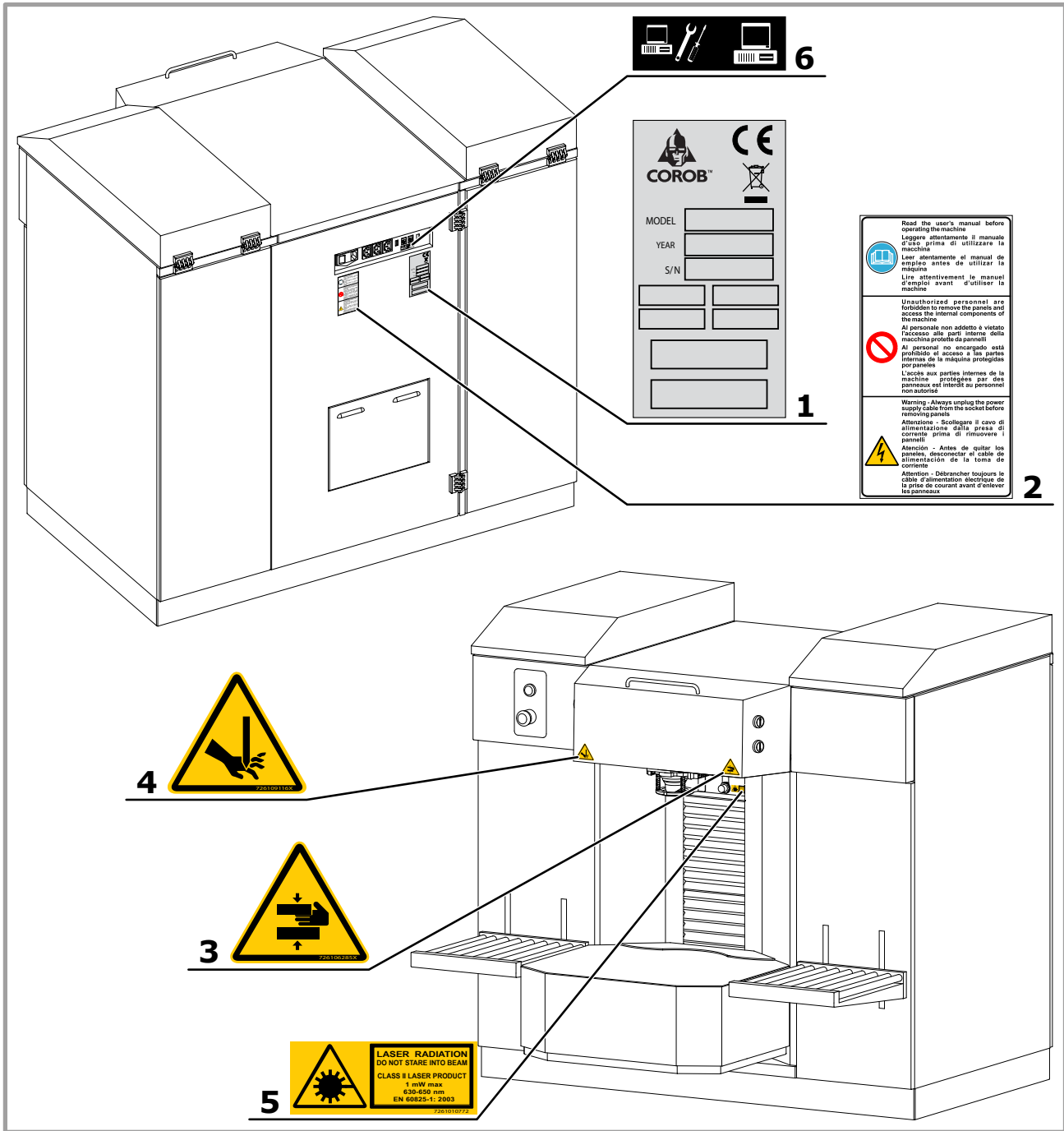
1. Harmful if swallowed.
2. Avoid eye and skin contact. In case of eye and skin contact, rinse with plenty of water.
3. Keep out of the reach of children.
4. When compulsory, wear the specified personal protective equipment.
5. In case of accidental product leaks or spills, thoroughly ventilate the area and proceed as indicated in this manual and in the instructions provided with the product itself.
6. Do not dispose of colorant in the sewage system. Follow local regulations when disposing of waste.




### 3.3 Residual risks

Risk	Preventive measure	P.P.E.	Re. in the manual
 <b>Risk of electrocution</b> - Risk of electrical shock if you power the machine from a socket not equipped with ground connection.	Power the machine through a grounded socket outlet.	\	ch. 5
 <b>Risk of electrocution</b> - Risk of electrical shock if you access machine parts protected by panels without first cutting off electrical power.	The operator is not authorized to access the machine parts protected by panels. For the maintenance technician: before performing any maintenance intervention, shut off the machine and disconnect the power supply cable from the mains socket outlet.	\	
 <b>Dorsal/lumbar injuries</b> - Handling heavy loads when moving the machine and loading cans on the shelf may cause injuries.	Do not exceed the weight limits stated by the current regulations in force (kg 20 for women, kg 25 for men). If necessary, use appropriate lifting equipment.	 	ch. 4 - 6
 <b>Risk of falling objects / crushing</b> - When positioning a can on the shelf, there is a risk it may fall onto the operator.	Position the can so that the whole base rests on the shelf surface.	 	ch. 6
 <b>Risk of crushing / entanglement</b> - The automatic movement of the humidifier cap and of the shelf may cause injuries.	The machine must be used by a single operator. Keep hands away from the dispensing area at all times while the machine is operating.	 	ch. 6
 <b>Risk of crushing / entanglement</b> - During colorant refilling operations, the stirrer inside the canister may automatically start rotating.	Before performing any intervention, press the emergency button.		ch. 6.5
 <b>Risk of cuts</b> - During the punching operations or maintenance operations on the punching device, the contact with the puncher blade may cause injuries.	The machine must be used by a single operator. Keep hands away from the dispensing area at all times while the machine is operating. Use the special tool to remove the puncher.		ch. 6 - 7
 <b>Risk of slipping / falling</b> - Misuse of the shelf may cause injuries.	Do not climb onto the shelf and/or sit on it.	 	ch. 6.3
 <b>Risk of explosion</b> - Fumes generated by the colorants used may cause an explosion.	Do not use the machine in areas at risk for explosion. Avoid naked flames or material that may create sparks and cause a fire.	\	
 <b>Risk of exposure to laser beam</b> - The Bung Hole Locator (B.H.L.) uses red laser light sources which can be potentially dangerous for the eyes.	Avoid staring at the light source.		ch. 6
 <b>Risk of poisoning and sensitization</b> - Fumes generated by the colorants used may cause poisoning and/or sensitization during canister refilling operations, machine cleaning and disposal.	Read the warnings reported in the Material Safety Data Sheets of the colorants used. The MSDS must be provided by the colorant manufacturer. Keep the room suitably ventilated.	Personal Protective Equipment as specified in MSDS.	ch. 3.2 - 4 - 6 - 7

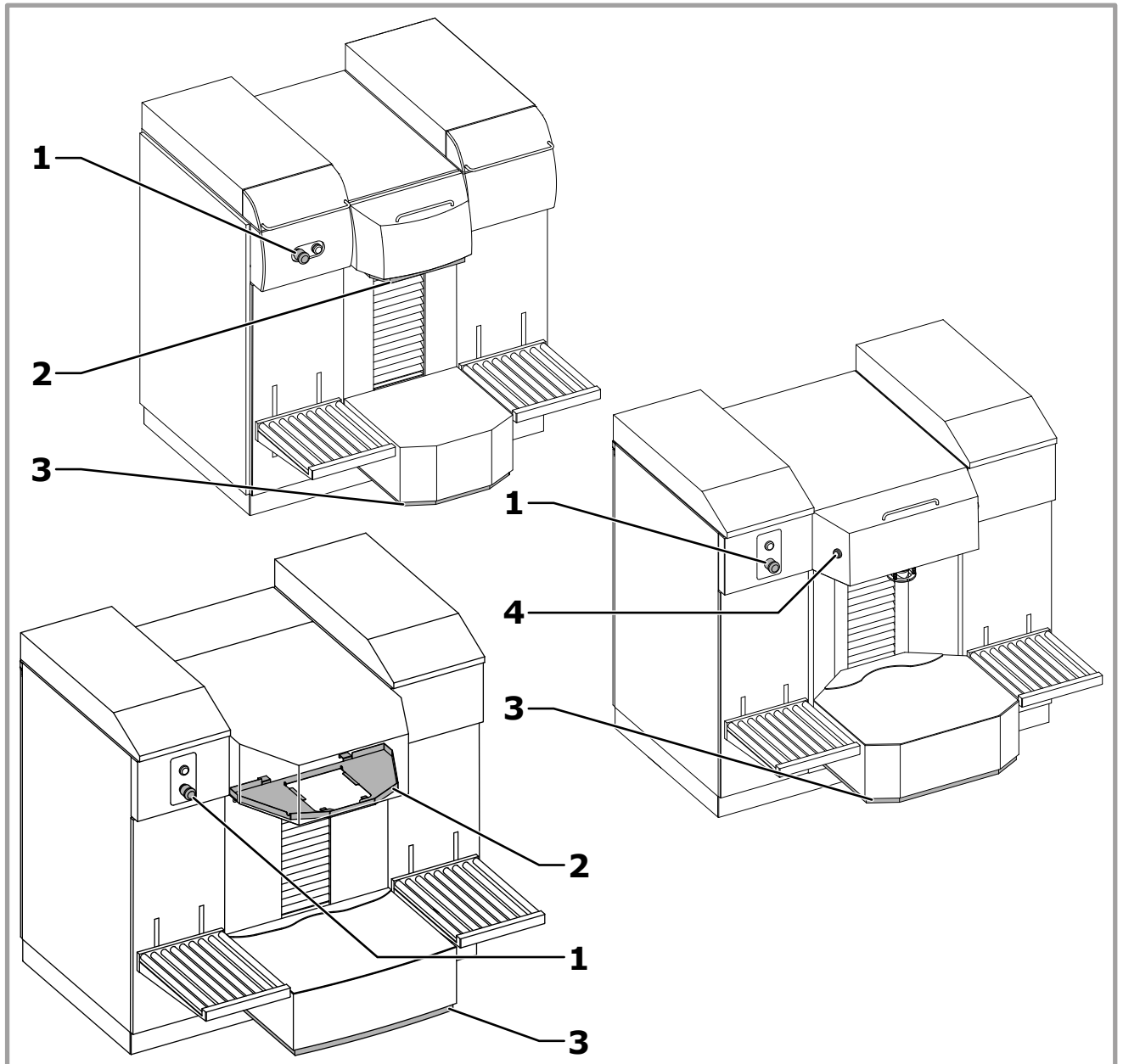
### 3.4 Position of labels



1. Identification plate (chapter 2.4)
2. Label "General warnings"
3. Label "Risk of crushing"
4. Label "Risk of cuts"
5. Label "Laser danger"
6. Label "Serial ports"

 Do not remove or make illegible the safety or instruction labels. Replace any label which has become illegible or is missing, by requesting it to the manufacturer.

### 3.5 Safety devices



	D600 TE	D600 TI	D700	D800TX
1. Emergency button.	✓	✓	✓	✓
2. Shelf upper safety plate (with automatic shelf).	✓	✓		✓
3. Shelf lower safety plate.	✓		✓	✓
4. Safety button to enable shelf operation (with semiautomatic shelf).	✓	✓	✓	✓



#### **DANGER**

In the event of a breakdown of the safety devices, it is forbidden to use components not provided by the manufacturer. In case of need, contact only the service organization authorized by the manufacturer.

## SAFETY

### 3.6 Requirements of the installation site

---

Environment requirements for the site where the machine is to be used:

- Clean and dust-free.
- With level and stable floor.
- Fitted with a grounded power supply socket.
- Equipped with sufficient lighting to ensure good visibility from every point of the machine (light value not lower than 500 Lux).
- Ventilated to prevent the concentration of harmful fumes.
- Temperature between 10 °C (50 °F) and 40 °C (104 °F) and relative humidity between 5% and 85%, without condensation.



#### **WARNING**

---

The environment working conditions are strictly related to the type of colorants used (ask for information from the paint manufacturer). The requirements indicated above are valid for the machine only.

Do not place the machine near heat sources or in direct sunlight. Also humidity sources should be avoided. The machine must be used indoors only.

Environment conditions outside the values indicated (chapter 8.1) may cause serious damage to the machine, especially the electronic equipment.

---



#### **DANGER**

---

When using **colorants containing volatile solvents** the room in which the machine is installed must be spacious, with good ventilation (air exchange) and no type of parts must be leant against or stocked close to the machine.

---

## 4 SHIPPING AND HANDLING

### 4.1 General warnings

Personnel in charge of these operations must wear the following personal protective equipment.



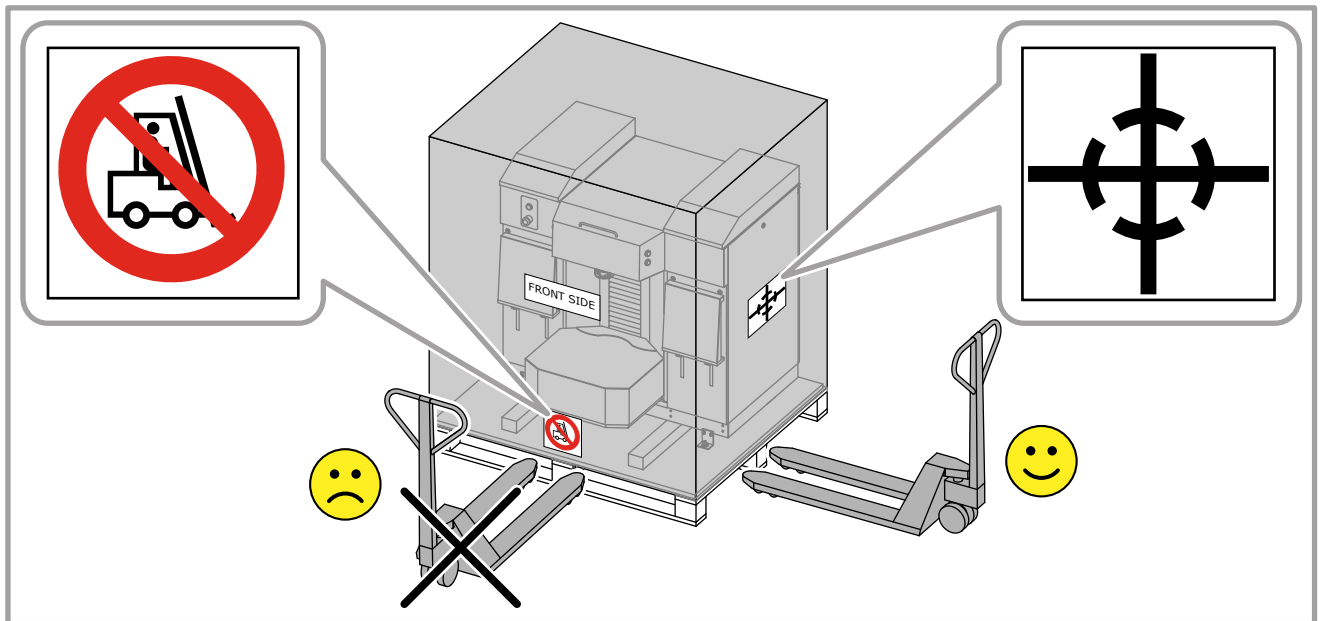
**! DANGER**

To avoid personal injuries and property damage, use the utmost care and caution when handling the machine, and carefully follow the instructions given in this chapter.

Do not insert the forks of the lift truck into the long side to lift the packing.

**! WARNING**

The packing must be handled only by qualified personnel using appropriate handling equipment. Do not stack items on the packing.



*If the machine is installed near a wall, keep it at least 4" (10 cm) away to prevent the cables from being crushed.*

### 4.2 Unpacking and placement

		1 x 10 mm 2 x 17 mm	To remove the fixing brackets
--	--	------------------------	-------------------------------

**! DANGER**

The following procedure must be carried out by at least 2 people.

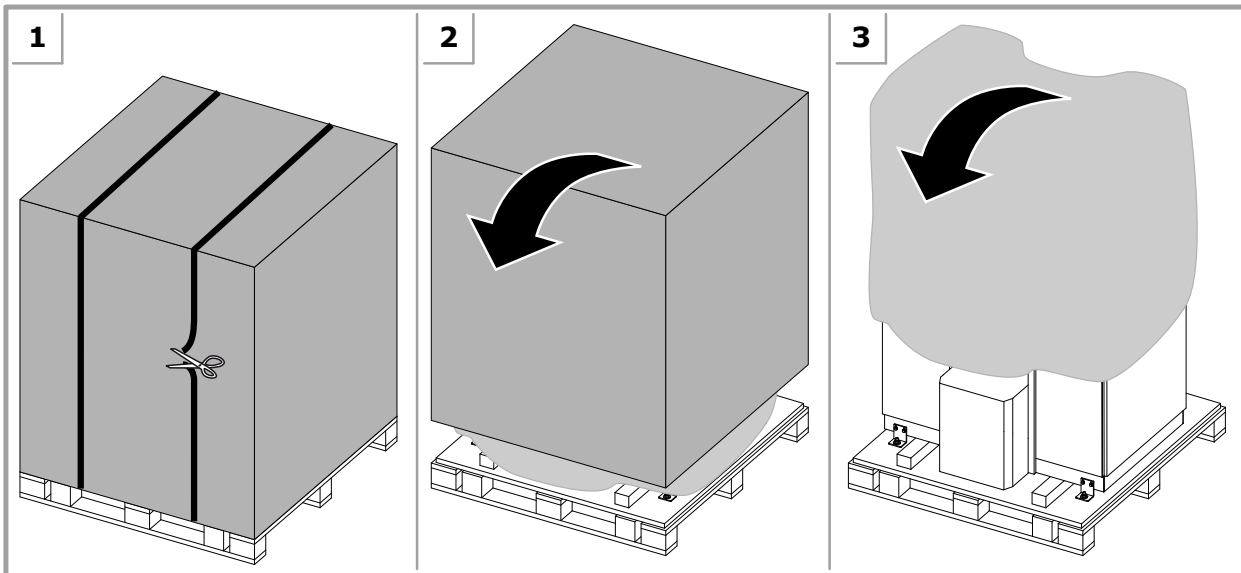
Store the packing material for future use, or dispose of it according to current regulations. In any case, we recommend that you keep it for the entire duration of the machine warranty.

**Make sure the packing has not suffered any damage or tampering during shipping; if so, contact the authorized technical service or your dealer.**

1. Cut the straps wrapped around the packing.
2. Remove the covering from the pallet.

## SHIPPING AND HANDLING

3. Remove machine wrapping. Take out any accessories and/or material supplied with the machine.



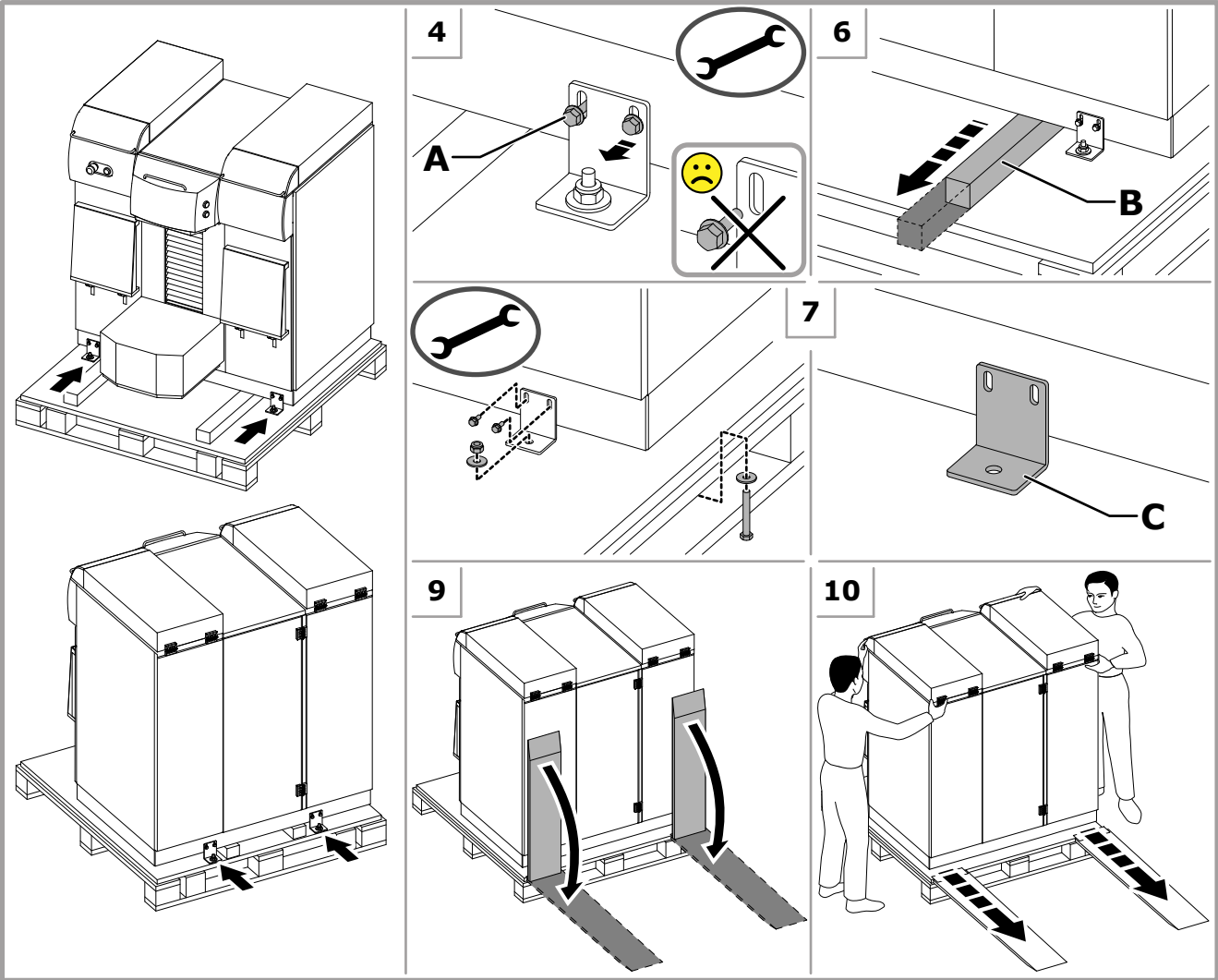
### DANGER

---

Should the machine appear damaged during shipping, do not attempt to start it and contact the authorized technical service or dealer.

---

4. Loosen all screws **A** holding the brackets to the machine.
5. Lower the feet (chapter 4.2.1) so that the machine is slightly raised from the wooden beams on which it rests.
6. Remove the wooden beams **B**.
7. Completely unscrew and remove all screws and nuts fastening each bracket **C** to the pallet.
8. Raise the feet (chapter 4.2.1) until when the machine can move easily on its wheels.
9. Lower both platforms.
10. Grasp the machine on the sides (this must be done by at least two people) then slide it slowly along the platforms on its wheels, then lower it to the ground.



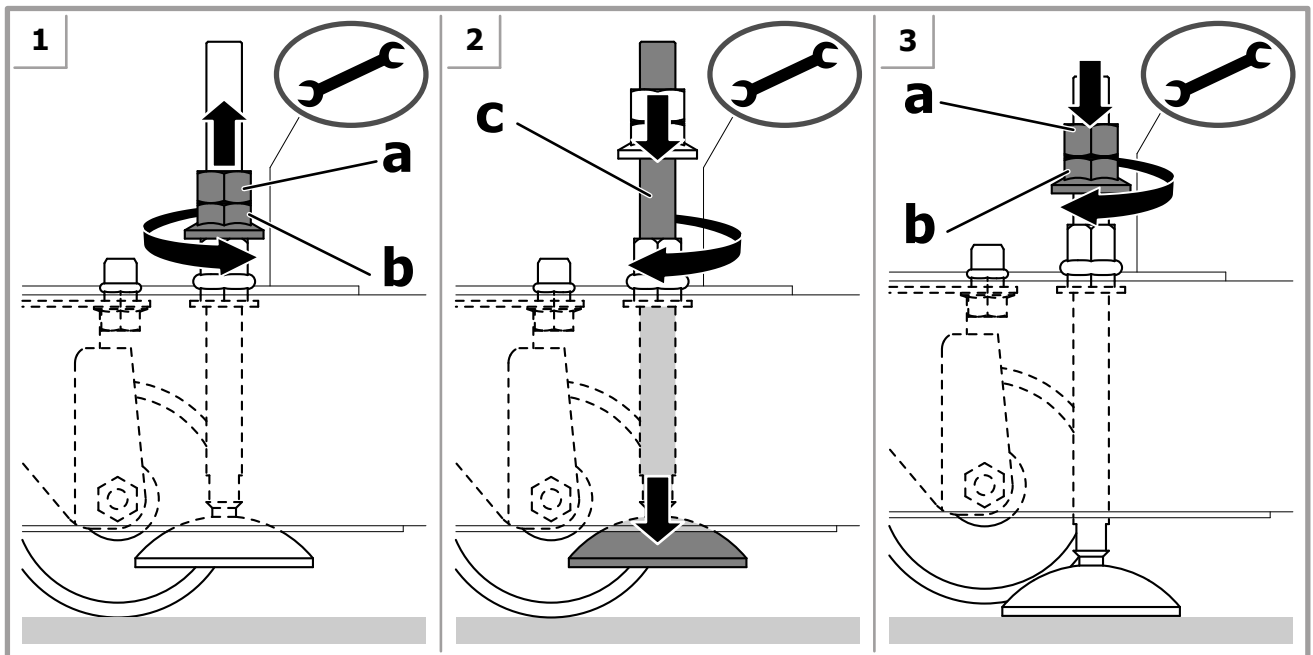
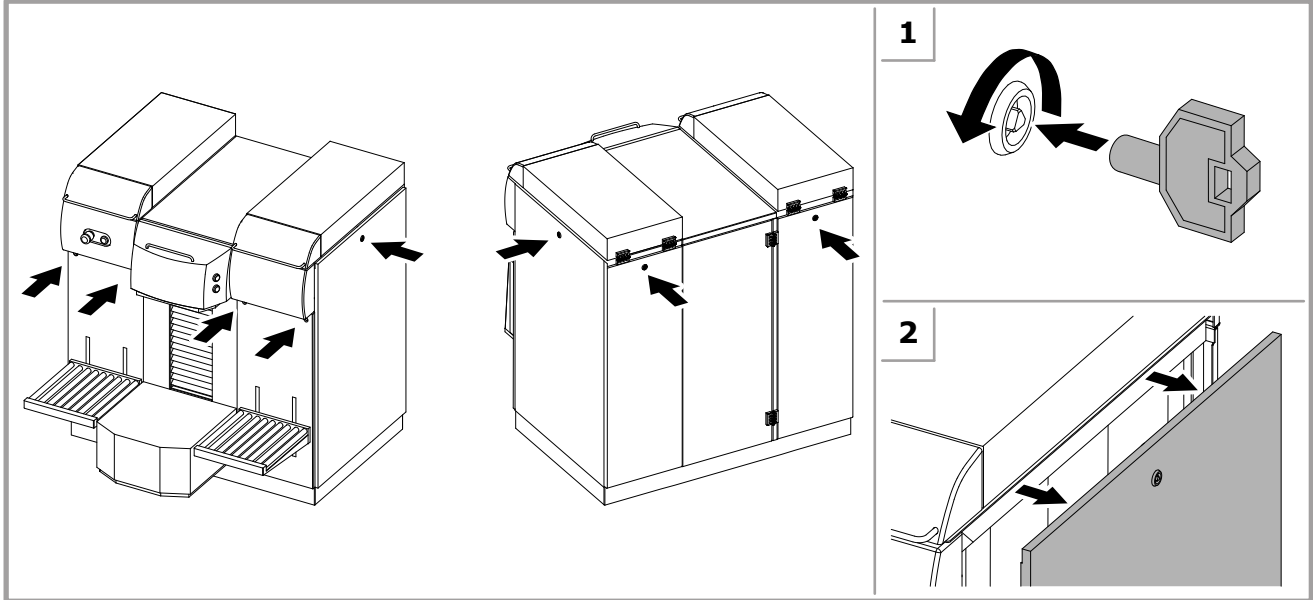
11. Lower the feet (chapter 4.2.1) to support and level the machine properly, and make sure that the wheels are not resting.

To repack the machine, follow the unpacking instructions in reverse order. We recommend reusing the original packing any time the machine must be moved or shipped.

**SHIPPING AND HANDLING**

**4.2.1 Adjusting the support feet**

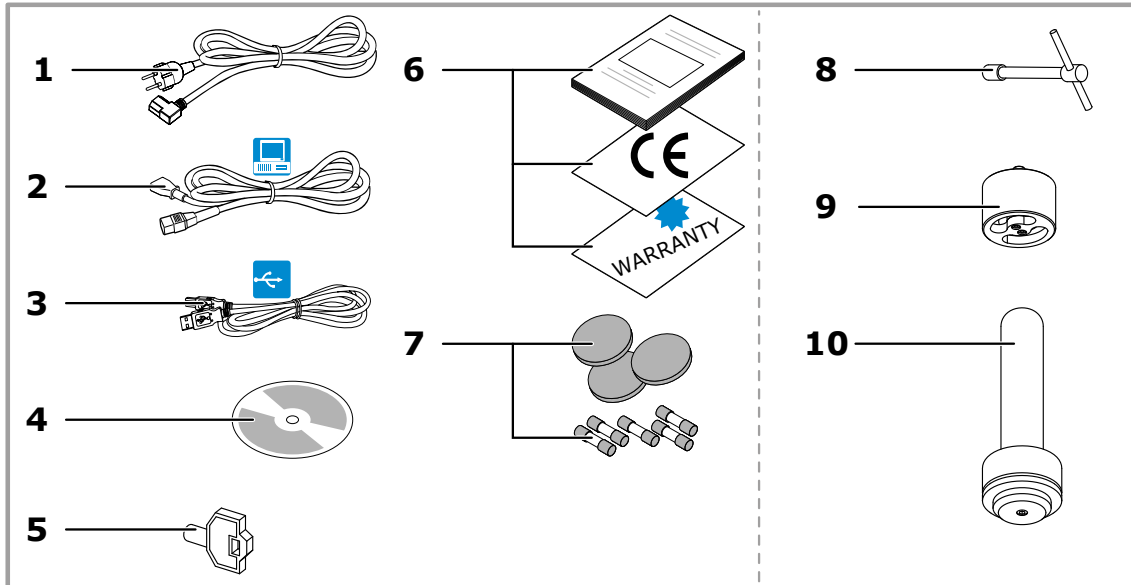
			To open machine panels
		1 x 19 mm	To adjust machine feet





### 4.2.2 Standard material supplied

After unpacking the machine, make sure the following items are present:



- |   |                            |
|---|----------------------------|
| 1. Power supply cable.                      | 7. Spare parts.            |
| 2. Computer power cables.                   | <i>With puncher only:</i>  |
| 3. USB cable.                               | 8. T-wrench.               |
| 4. Equipment software tools standard CD.    | 9. Tool for punch removal. |
| 5. Panel key.                               | 10. Manual plugger.        |
| 6. User's manual and product documentation. |                            |

Depending on the options specified on the purchase order, you may also find:

- Management software.
- Any accessories to be installed on the machine.

Make sure that all of the above items are included in the packing; if not, contact the manufacturer.

### 4.3 Installation

Once the machine has been unpacked and placed in its operating site, it must be installed.



#### **WARNING**

Only qualified and appropriately trained personnel are authorized to install the machine.

### 4.4 Storage

If stored, the machine must be kept in a safe and protected environment, with a suitable temperature and humidity degree and protected from dust.

## 4.5 Disposal and recycling

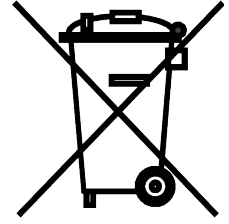
---

This equipment must not be disposed of with unsorted municipal waste. Carry out a separate collection.

Pursuant to the WEEE Directive, collection, treatment, recovery and environmentally sound disposal of Waste Electrical and Electronic Equipment (WEEE) shall be carried out in compliance with the national measures of each EU-Member State implementing the Directive.

Differentiate the parts making up the machine based on the various materials they are made of (plastic, iron, etc.).

For the colorants remaining in the canisters, for the machine components most soiled with colorant and if any products have been used on the machine that require special disposal procedures, follow local regulations when disposing of waste.



## 5 START-UP

---

### 5.1 General warnings

---

Personnel in charge of these operations must wear the following personal protective equipment.



#### **DANGER**

**THIS EQUIPMENT MUST BE GROUNDED. Check the grounding of the power supply system before connecting the machine.**

Do not use extension cords to power the machine.

The computer and any other devices connected to the machine via a serial line or connected to the computer itself must be powered via the auxiliary sockets.

Do not connect equipment other than computer, label printer or calibration scale to the machine auxiliary sockets.

Do not use multisockets to connect other equipment to the same socket that powers the machine.

---



#### **WARNING**

Do not attempt to power the machine from a source having specifications other than those listed on the identification plate.

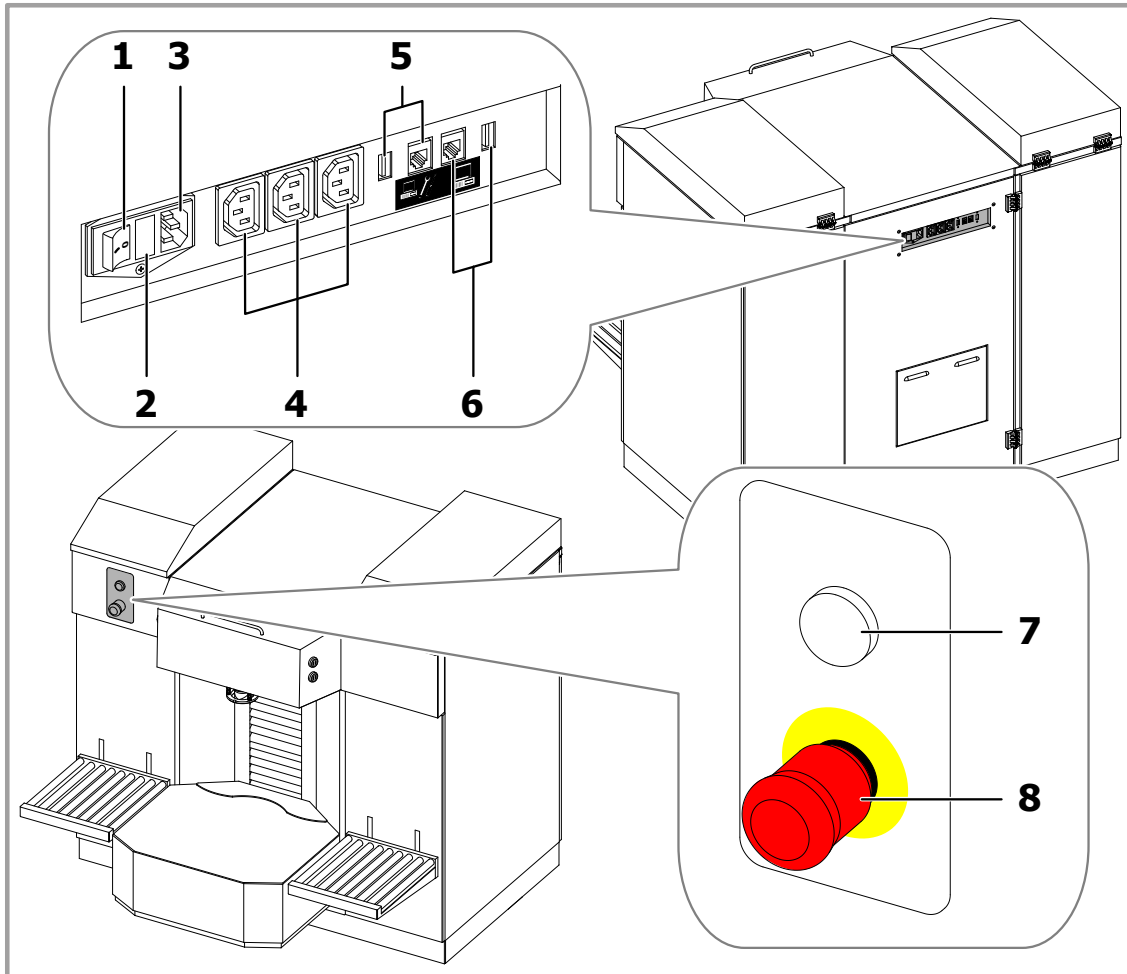
The machine is isolated from the power supply line when the power plug is disconnected; it must therefore be installed near an easily accessible mains socket outlet.



Do not use multisockets to connect other equipment to the machine auxiliary sockets.

The power supply of the equipment connected to the machine via serial port, like the computer, must be equipotential (which has a single access point to earth) because potential differences cause interferences and/or damage to the serial ports.

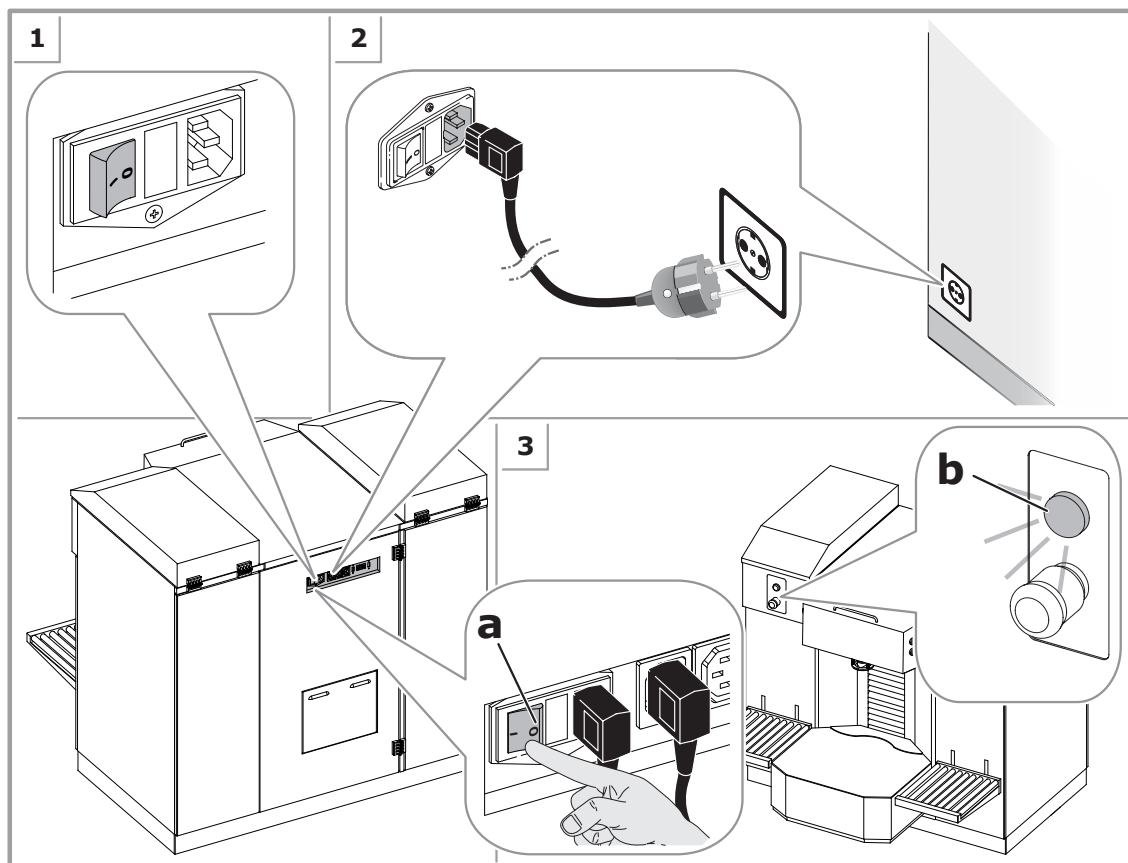
---


## 5.2 Control devices and connections




1. Machine main switch.	
2. Fuse compartment.	The value of fuses is shown in the technical specifications table (chapter 8.1).
3. Main plug.	
4. Auxiliary sockets.	Power supply to the computer and other equipment (calibration scale or label printer).
 5. Ports for service computer.	USB or RS232 connection to the service computer.
 6. Ports for management computer.	USB or RS232 connection to the machine management computer.
7. ON lamp.	When this lamp is lit, it indicates that the machine is powered and the main switch is in the ON position (I).
8. Emergency button.	Red mushroom-head button. This is the emergency stop button for the machine, to use in case of a breakdown or dangerous conditions (chapter 5.5).

## 5.3 Electrical connection and start-up




 If the ON lamp does not light, make sure the emergency button is not pressed (chapter 5.5). If the computer and monitor do not come on, make sure the power cables have been properly connected to the auxiliary sockets, and that the corresponding switches have been turned on..

 When the software is launched it offers the operator a series of procedure requests, including initialization (chapter 5.4). This operation is strictly related to the type of management software used.

## 5.4 Initialization

**INITIALIZATION** is a preparatory phase that has to be carried out when the machine is turned on.

 If the computer is turned off and back on again, initialization is not strictly necessary, even if required by the software; it is solely at the discretion of the operator.



### **DANGER**

If the Autocap is open, initialization automatically closes it.

If the automatic shelf is at a certain height it will lower completely.

Moreover, initialization must be carried out in the following cases:


- At the beginning of each work shift, even if only the computer had been shut down.
- To send new operating parameters set via the management software.
- After an emergency stop (chapter 5.5).

For more information about the Initialization function, refer to the software user's manual.

## START-UP

### 5.5 Emergency stop

In case of a breakdown or dangerous conditions, press the emergency stop button. Pressing this button, power is cut off to the entire machine and all movements are stopped.

 *The emergency button does not turn the computer off, since it requires special shut-down procedures (the auxiliary sockets remain powered).*

After eliminating the cause of the malfunction or solved the dangerous condition, reset the button by pulling it.



#### WARNING

When normal operation is restored, it is necessary to carry out machine initialization (chapter 5.4).


### 5.6 Shut-down

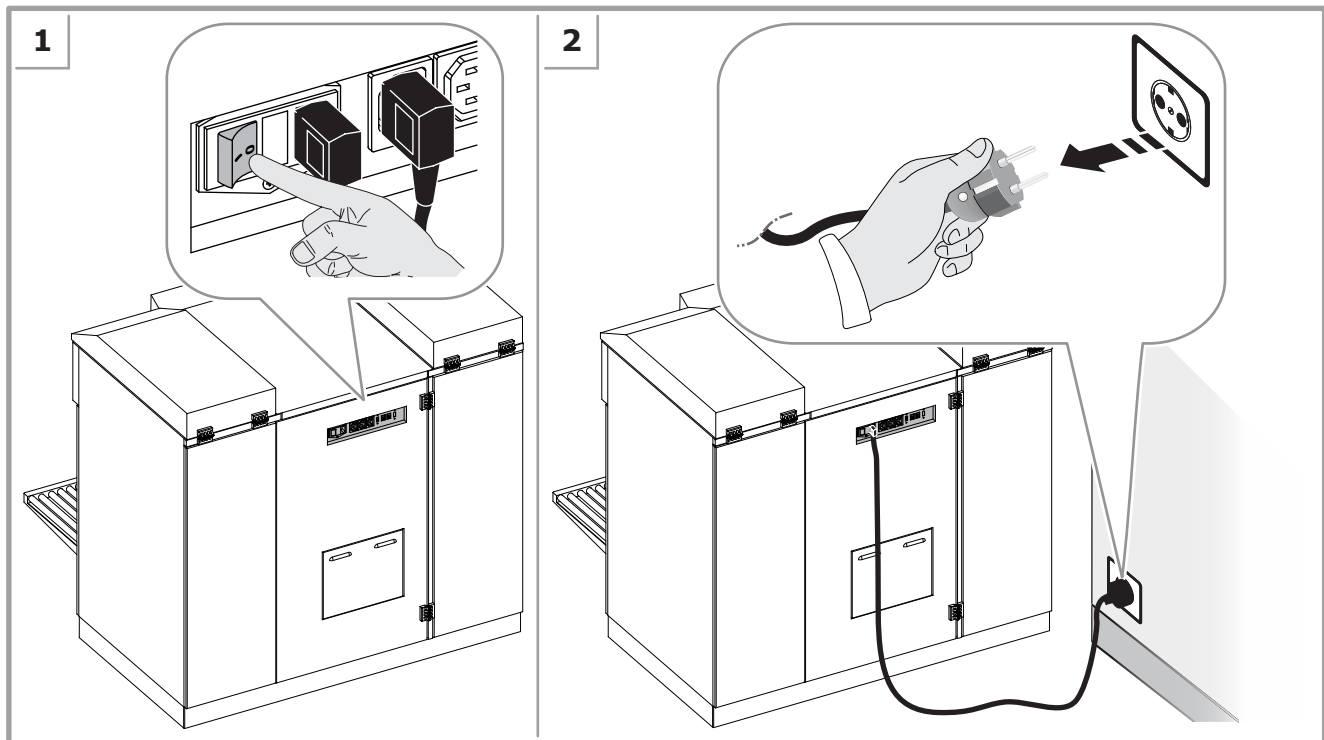


#### WARNING

**WE RECOMMEND THAT YOU NEVER SHUT DOWN THE MACHINE**, even when closed for business, because the automatic, timed functions help keep the colorant preserved and homogeneous.

Should it be essential to shut down the machine, avoid keeping it off for extended periods of time. When the machine is not being used, if necessary shut off only the computer.

 *Very little power is used by the machine itself when inactive or during a stirring cycle.*



## 6 USING THE DISPENSER

### 6.1 General warnings

Personnel in charge of these operations must wear the following personal protective equipment.



#### **DANGER**

The machine must be used by a single operator. Unauthorized people who could reach or touch machine parts during operation must not be admitted in the nearby area.

It is strictly forbidden to use the machine without protections or with any safety devices present on the machine disabled, broken down, or removed. The panels must be kept closed at all times.

Do not, for any reason, place your hands in the dispensing area when running the machine, except for loading and unloading the cans.

When handling cans, do not exceed the weight limits stated by the current regulations in force (kg 20 for women, kg 25 for men).

### 6.2 At the beginning of the working day

At the beginning of each work shift, always carry out the following operations:

- Check that the nozzle center is clean.
- (With humidifier system for solvent-based colorants or without humidifier system) Check that the sponge is clean and saturated; if it is necessary to saturate, use only appropriate liquid (the choice of the liquid depends on the nature of the colorants, and must be done directly by the manufacturer of the products used).
- (With humidifier system for water-based colorants) Check that the water in the bottle is not below the minimum level.
- Carry out system Initialization and Purge.

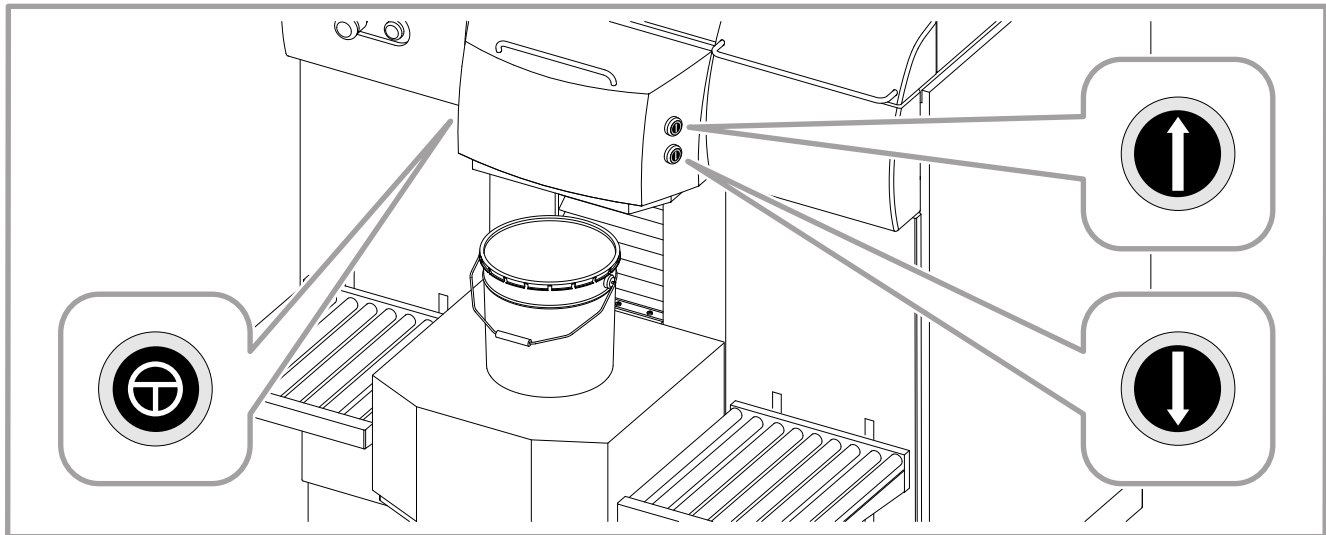
### 6.3 Running the machine

The operator is guided in running the machine by the management software, which displays the instructions to be carried out and the actions performed by the machine.

Steps	Options	Reference
<b>Make the selections from the management software (selection of the product, formula and cansize).</b>		
<b>Load the can in the machine and adjust the height of the can shelf.</b>	with semiautomatic shelf	chapter 6.3.1
	with automatic shelf	chapter 6.3.2
<b>Adjust can position with respect to the dispensing center.</b>	with panel roll conveyor	chapter 6.3.3
	with can centering device	chapter 6.3.4
<b>Carry out punching of the can lid (optional).</b>	with Laser B.H.L.	chapter 6.3.5
	with punching device	chapter 6.3.6
<b>Via the software, enter the formula dispensing command.</b>		chapter 6.3.7
<b>When dispensing is finished, remove the can and proceed with another dispensing process.</b>		

## USING THE DISPENSER

### 6.3.1 Loading the can - Semiautomatic shelf



**Shelf UP button**

This button, when pressed with the safety button, causes the shelf to rise and, when released, to stop immediately. If it is not released, the shelf stops automatically when the can resting on it is detected by the photocell.




**Shelf DOWN button**

This button, when pressed with the safety button, causes the shelf to lower and, when released, to stop immediately.

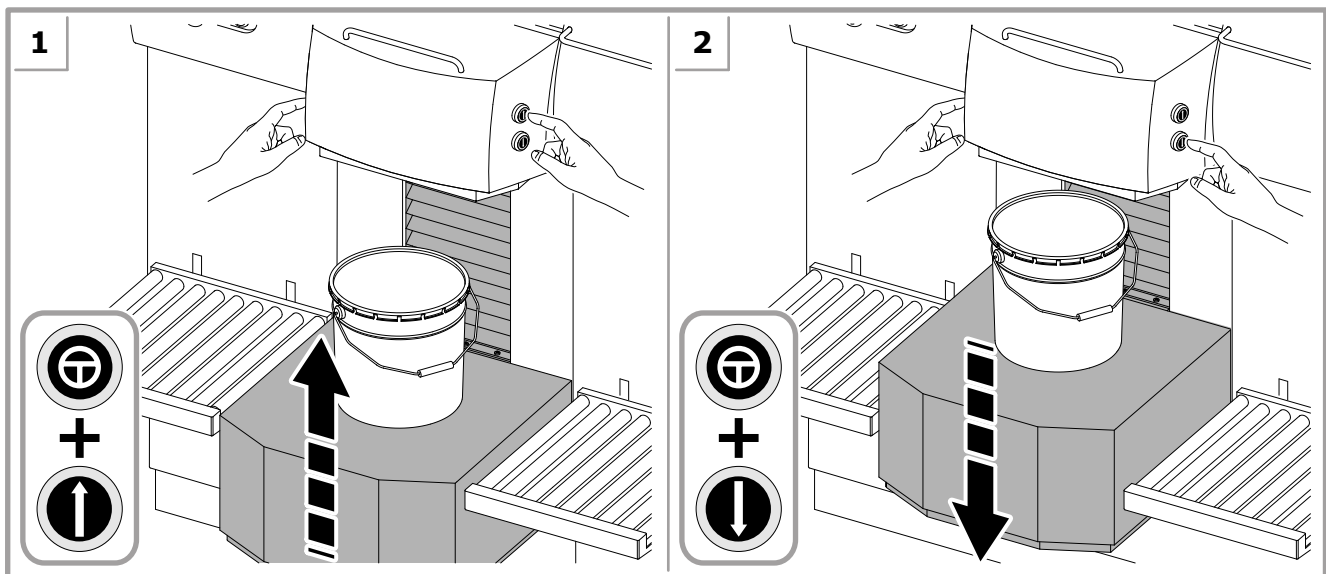


**SAFETY button, to enable shelf movement**

This button, when pressed with the up or down button, enables the shelf to move respectively up or down and, when released, to stop immediately.


 With the purpose to prevent any crushing risks, the semiautomatic shelf is fitted with a lower safety plate (chapter 3.5). The safety plate intervenes by causing the shelf to stop if it is inadvertently touched by the operator.

1. Place the can on the shelf. Use the panel roll conveyors, if fitted, to slide and ease heavy cans on the shelf (chapter 6.3.3). Press and hold down the **Safety** and **Up** buttons to raise the shelf, which stops when the can is correctly positioned.
2. If necessary, lower the shelf by means of the **Safety** and **Down** buttons.

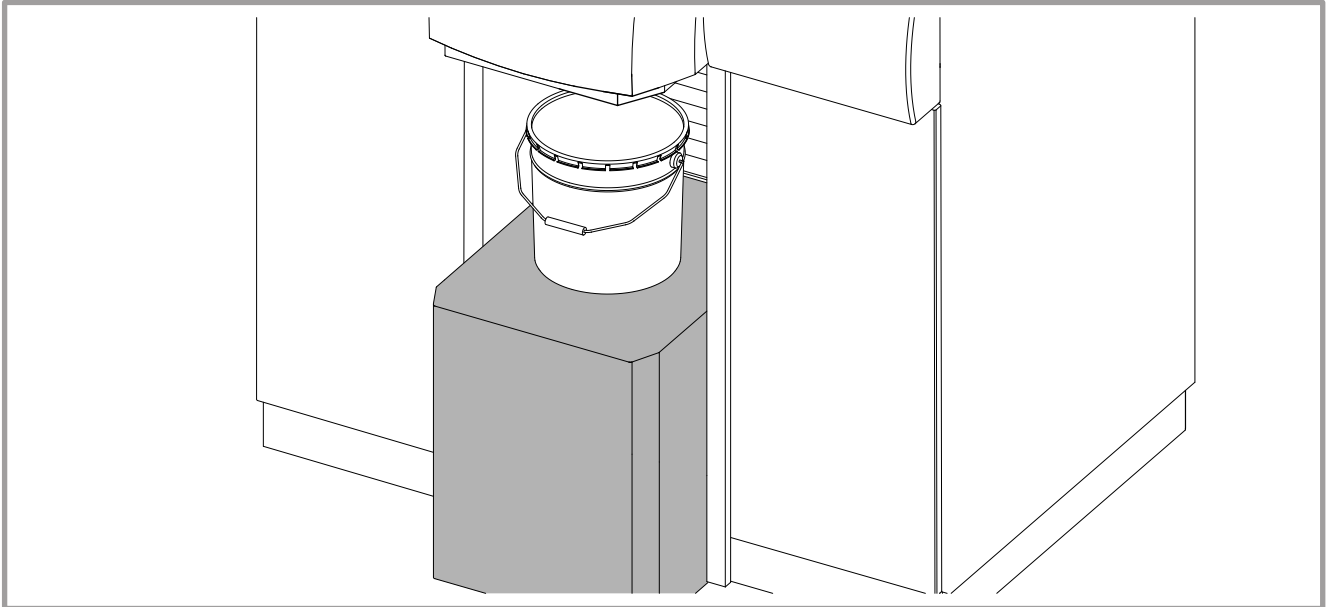




### 6.3.2 Loading the can - Automatic shelf

 With the purpose to prevent any crushing risks, the machine is fitted with two safety plates (chapter 3.5). The safety plates intervene by causing the shelf to stop if they are inadvertently touched by the operator.

1. Place the can on the shelf. Use the panel roll conveyors, if fitted, to slide and ease heavy cans on the shelf (chapter 6.3.3).



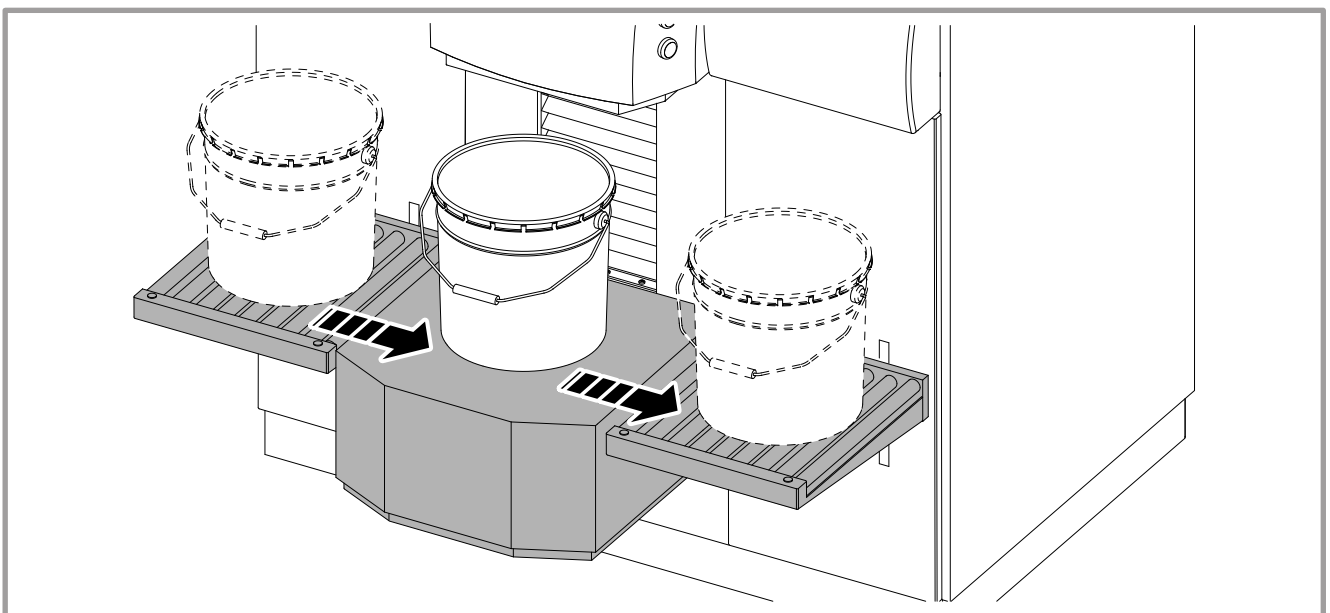
The management program controls the movement of the automatic shelf, checks for the can presence and that the can placed on it is actually the one selected through the program for dispensing the formula.

These checks are also carried out by a photocell located underneath the nozzle center. The shelf automatically stops when the can is detected by the photocell.

After a can has been positioned, the program will indicate an error if the can is missing from the shelf, or if it is larger or smaller than the one selected for dispensing.

### 6.3.3 Loading the can - Panel roll conveyor

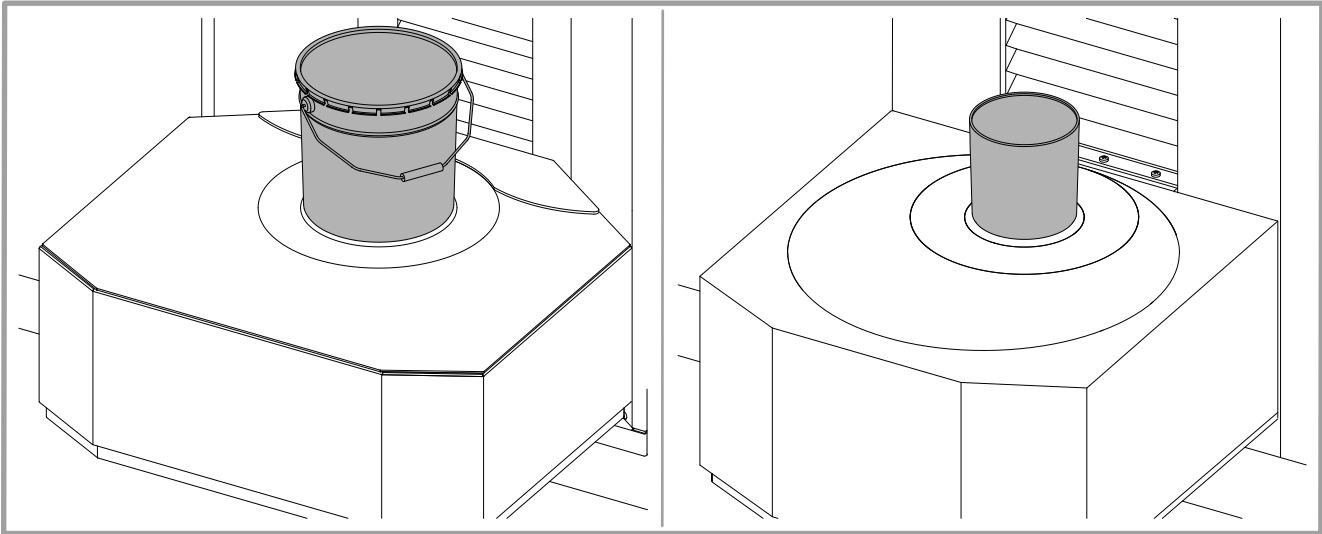
Place the can on the roll conveyor and slide it under the dispensing nozzles.



## USING THE DISPENSER

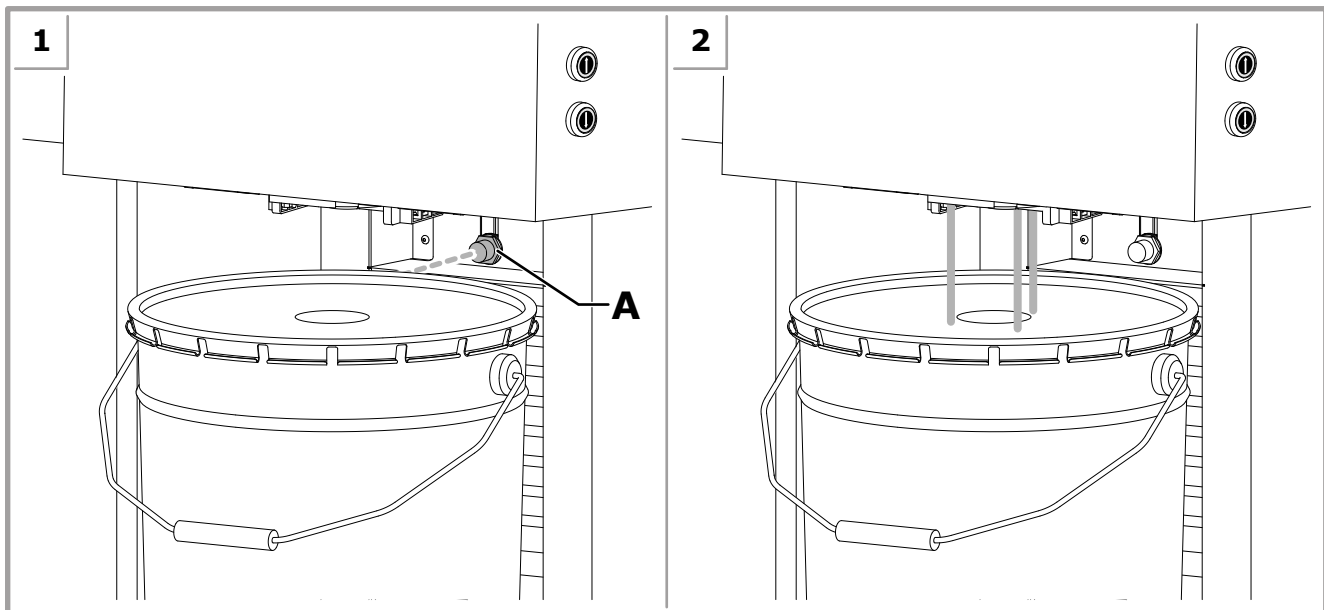
### 6.3.4 Use of the can centering device

Place the can in the centering ring of the suitable diameter.

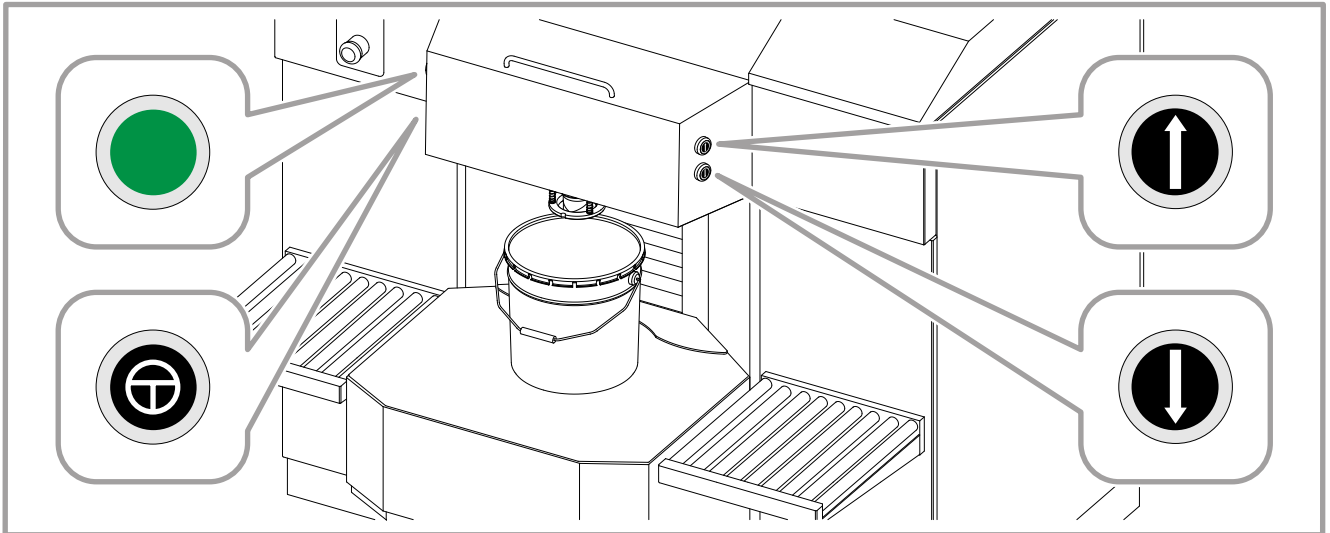


### 6.3.5 Use of the Bung Hole Locator

1. After having correctly positioned the can so as to obscure photocell A, the laser beams will switch on.
2. Position the can in such a way that the hole on the lid is in the center of the laser beams.



### 6.3.6 Punching the can



**Shelf UP button**



**Shelf DOWN button**



**SAFETY button, to enable shelf movement**



**Punching lamp**

When the punching lamp is on, pressing the three buttons simultaneously will cause the shelf to be raised to punch the can lid.

The green lamp on indicates that the machine is ready to execute punching, since the can is correctly positioned and obscures the photocell.

The blinking lamp indicates that an error has occurred during punching.

 Remember to carry out punching **BEFORE** commanding the dispensing from the software.

1. When the can has been positioned so as to obscure photocell A (chapter 6.3.1) the green lamp will light, to indicate that it is now possible to proceed with punching.

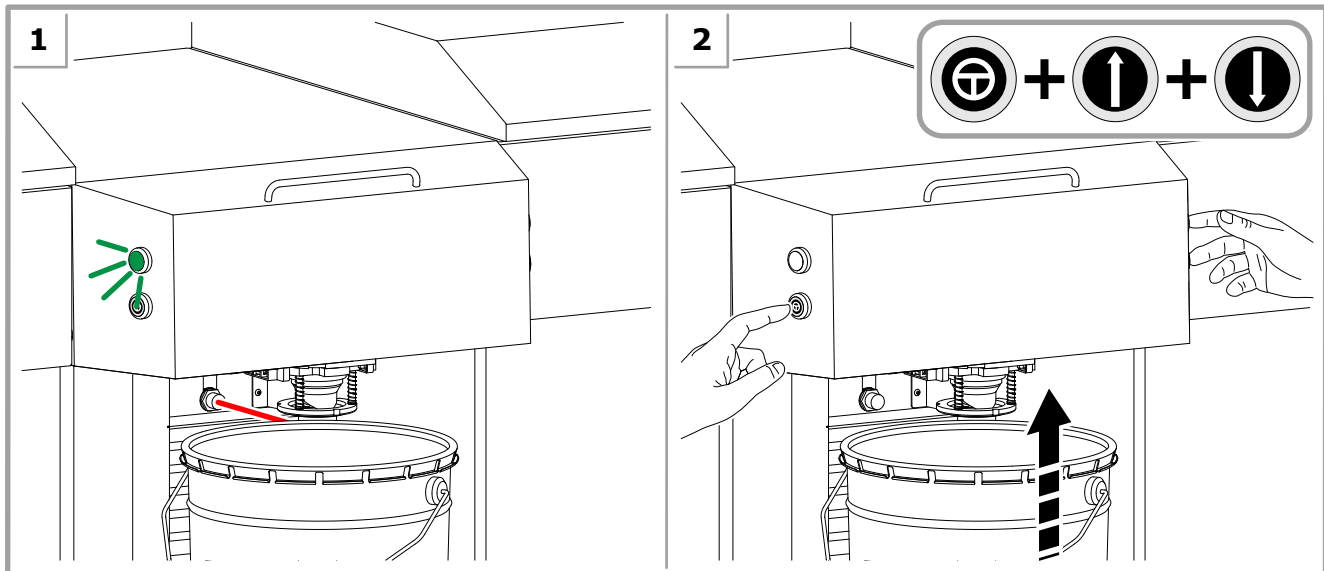


**WARNING**

Ensure that there is a lid on the can.

2. Press and hold down contemporaneously the **Safety, Up** and **Down** buttons; the shelf will rise further in order to push the can against the puncher and then return to the initial position. During shelf descent, it is possible to release the buttons.

## USING THE DISPENSER



### 6.3.7 Dispensing

When the dispensing command is entered, the Autocap opens to expose the nozzles and the machine begins to dispense the products included in the formula in the set amounts; the Autocap will automatically close when dispensing is finished.


The dispensing time is the time required by the colorant of which the greatest amount is used in the formula.

## 6.4 Automatic processes

**Colorant stirring** is a timed process, activated automatically to properly store the product in the canisters and keep it in ideal, homogeneous conditions for dispensing, through the movement of stirring paddles inside canisters.

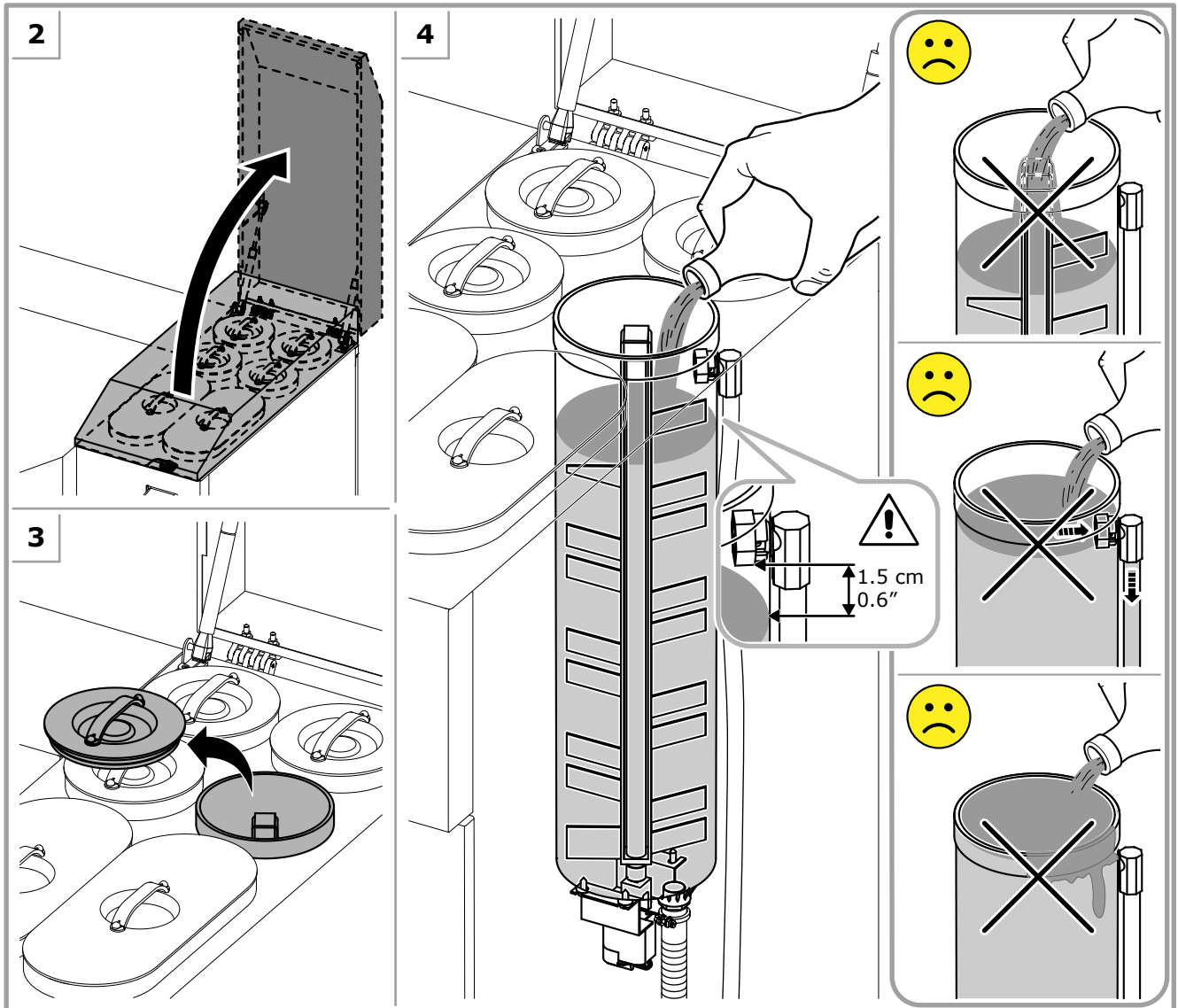
The recirculation process circulates the colorant through the dispensing circuits, avoiding pigment sedimentation in the various parts of the circuit. The colorant leaves the bottom of the canister and returns in the canister through the recirculation connector, without being dispensed through the nozzle center.

The duration and the interval between one stirring or recirculation cycle and another can be customized via the configuration software, based on the nature of the products used on the machine.


 *We recommend to keep the canisters closed with their corresponding lids; do not insert hands in the canister even when no colorant is present.*

When an automatic process is in progress, the machine can still be used; the process will be suspended and restarted after a few seconds that the machine is inactive.

## 6.5 Refilling the canisters



1. Press the emergency button (chapter 5.5).
2. Open the upper covers.
3. Remove the lid of the canister to be filled.

 Shake the container of colorant to be poured into the canister manually. Do not use automatic shakers.

4. Add the desired colorant to the canister, so as to avoid spattering or creating air emulsions in the colorant.



### WARNING

Never exceed the maximum colorant level in the canister, approximately 0.6" (1.5 cm) under the recirculation connector. Never pour colorant directly onto the stirrer shaft.

5. Close the canister with its corresponding lid.
6. Repeat the above steps to fill other canisters.
7. Close the upper covers and restore the machine by releasing the emergency button (chapter 5.5).
8. Update the colorant level value for the topped up canisters in the machine management software (refer to the software user's manual).

## USING THE DISPENSER



### WARNING

---

In case of improper actions, which caused canister overfilling with colorant:

- In case the colorant has poured inside the machine, do not try to clean; turn the machine off at once and contact an authorized service center.
- If, on the contrary, the product has already poured out of the canister, it is necessary to shut off the machine immediately and clean with paper or a moistened cloth. Whenever possible, leave the colorant to dry itself and remove with a spatula.
- If the product has not yet come out of the canister borders, it is necessary to avoid closing the canister with its lid and provide immediately to dispense the exceeding colorant until the correct level is reached. Clean carefully the upper border of the canister with paper or a moistened cloth before closing it with the lid.

**NEVER USE WATER OR SOLVENT-BASED CLEANING PRODUCTS TO CLEAN THE MACHINE.**

---



### DANGER

---

When using **colorants containing volatile solvents** the canister top up must be carried out opening one canister at the time.

---



### WARNING

---

Failure to update the colorant levels in the canisters may compromise the accuracy of the hue produced or, worse yet, lead to emptying the machine canisters and circuits.



---



*If "SOLVENT FREE" colorants are used, or those that dry out quickly, we recommend that you keep the canisters full at all times by topping up frequently.*

After topping up the colorant, it is advisable to carry out the stirring process using the functions provided in the management software, to eliminate any air that may be emulsified and incorporated into the colorant.

## 6.6 Troubleshooting

Problem	Cause	Solution
The machine does not turn on.	Power supply is missing.	Check the connections at the back of the machine (chapter 5.3).
	Main switch in OFF position (O).	Set the main switch to the ON position (I) (chapter 5.3).
	Emergency button is pressed.	Release the emergency button (chapter 5.5).
	One or more fuses may be blown up.	Replace any blown fuse inside the fuse compartment (chapter 5.2).
	The power supply unit is in overcurrent.	Wait a few minutes and try to restart the machine. If the problem persists, contact the authorized technical service.
	Electrical connections are defective.	Contact the authorized technical service.
The management software shows an error in the communication protocol.	Machine is OFF.	Turn the machine on (chapter 5.3) and restart the management software.
	Machine disconnected from the computer.	Check the connections at the back of the machine (chapter 5.3).
	Computer serial port or USB port wrongly configured or defective.	Use the configuration and calibration software to make sure you have correctly configured the port used to communicate with the machine.
		Repair the computer serial port or USB port.
	Serial cable damaged.	Replace the communication cable using manufacturer's original spare parts.
Connection defective.	Contact the authorized technical service.	
The green punching lamp blinks.	The operator released one of the buttons, thus interrupting the punching operation.	Move the semiautomatic shelf down (chapter 6.3.1) until the photocell is no longer covered by the can, the green punching lamp will stop blinking; load a can with lid then repeat the punching operation.
	Punching has failed because the can lid was missing.	
	Due to a mechanical problem the punching device did not return to its initial position.	 DANGER OF CUTS.  YOU MUST WEAR CUT-PROOF GLOVES. Grasp the punching group and bring it back to the initial position, the green punching lamp will stop blinking; repeat the punching operation. If the problem persists, contact the authorized technical service.

**ORDINARY MAINTENANCE**



## 7 ORDINARY MAINTENANCE

### 7.1 General warnings

Personnel in charge of these operations must wear the following personal protective equipment.



#### **DANGER**

Before carrying out any maintenance operations, you must turn off the machine and unplug the power supply cable from the mains socket outlet.

During machine maintenance operations there is a high risk of contact with the coloring product; strictly follow the indications of chapter 3.2.

### 7.2 Maintenance table

#### **WARNING**

The frequencies indicated are approximate, since they depend on the type of colorants, environment conditions and frequency of use of the machine.

Operations	Accessories	Frequency		
		beginning of shift	twice a week	when necessary
Initialize and purge machine		✓		
Clean the nozzle center		✓		
Check the sponge is clean		✓		
Check the sponge is saturated	with humidifier system for solvent-based colorants or without humidifier system	✓		
Moisten the sponge	with humidifier system for solvent-based colorants or without humidifier system		✓	
Clean the sponge			✓	
Check condition of puncher	with punching device		✓	
Clean the dispenser externally				✓
Fill up the humidifier system bottle	with humidifier system for water-based colorants			✓

### 7.3 Products to be used

We recommend to use products compatible with the type of colorants in the machine when cleaning the nozzle center and moistening the humidifier cap sponge.

Type of colorant	Suggested product
Solvent-based colorants	slow-evaporating solvent, compatible with the colorants used
Water-based colorants	water
Mixed systems	the choice depends on the type of vehicles used to produce the colorants; for more information, contact the dealer or colorant manufacturer.

Should growths form in the Autocap, in the sponges or in the humidifier system water bottle, it is advisable to use the following fluids:

- Propylene glycol solution, 50% by volume, in water;
- AgCl solution in water;
- Bleach (dilution 1%).

## 7.4 External cleaning



### WARNING

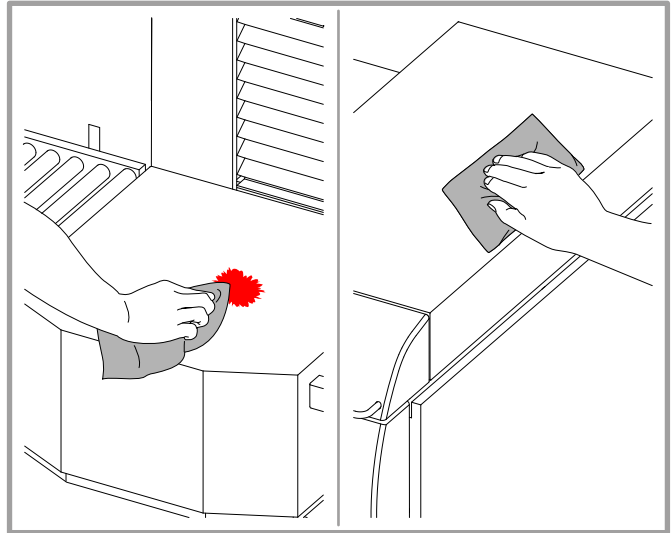
**NEVER USE WATER OR SOLVENT-BASED CLEANING PRODUCTS TO CLEAN THE MACHINE.**

In case the colorant has poured inside the machine, do not try to clean; turn the machine off at once and contact an authorized service center.

In case of paint spills, clean the machine immediately.

1. Disconnect power supply (chapter 5.6).
2. Clean coverings, panels and control devices of the machine, to remove dirt, dust and any colorant stains, using a soft and dry cloth, or slightly moistened with a mild cleansing solution.
3. Connect power supply and switch on the machine (chapter 5.3).

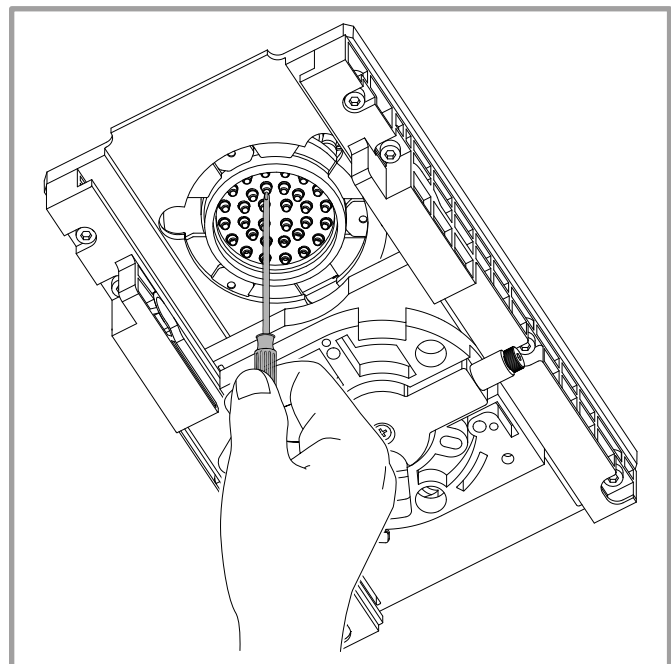
See the manufacturer manual for instructions on cleaning the computer.



## 7.5 Cleaning the nozzle center


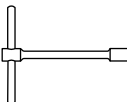


1. Open the Autocap using the command in the management software.
2. Disconnect power supply (chapter 5.6).
3. Accurately clean the nozzles using a sharp tool; remove any dried colorant residue delicately, to avoid damaging the ends of the circuits.
4. Connect power supply and switch on the machine (chapter 5.3); the Autocap closes automatically during initialization.
5. Carry out Purge, using the command in the management software.



## 7.6 Cleaning and moistening the humidifier cap sponge

 In case of sponge replacement, use only those supplied with the machine.

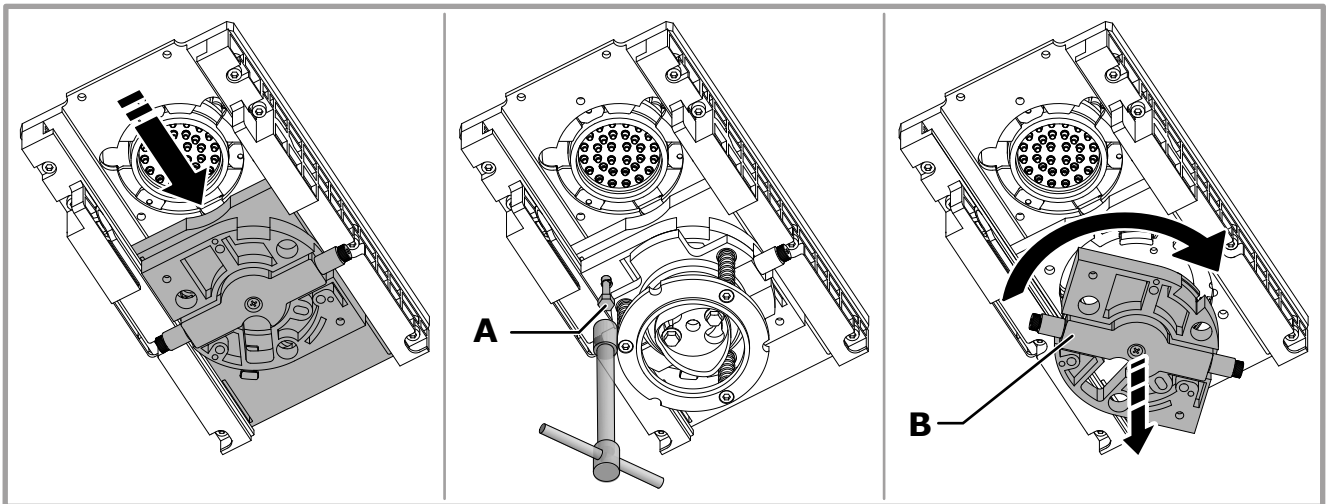
		8 mm	To remove the Autocap screw(s)
---	---	------	--------------------------------

 **DANGER**

**IF THE MACHINE IS EQUIPPED WITH PUNCHING DEVICE, YOU MUST WEAR CUT-PROOF GLOVES.**

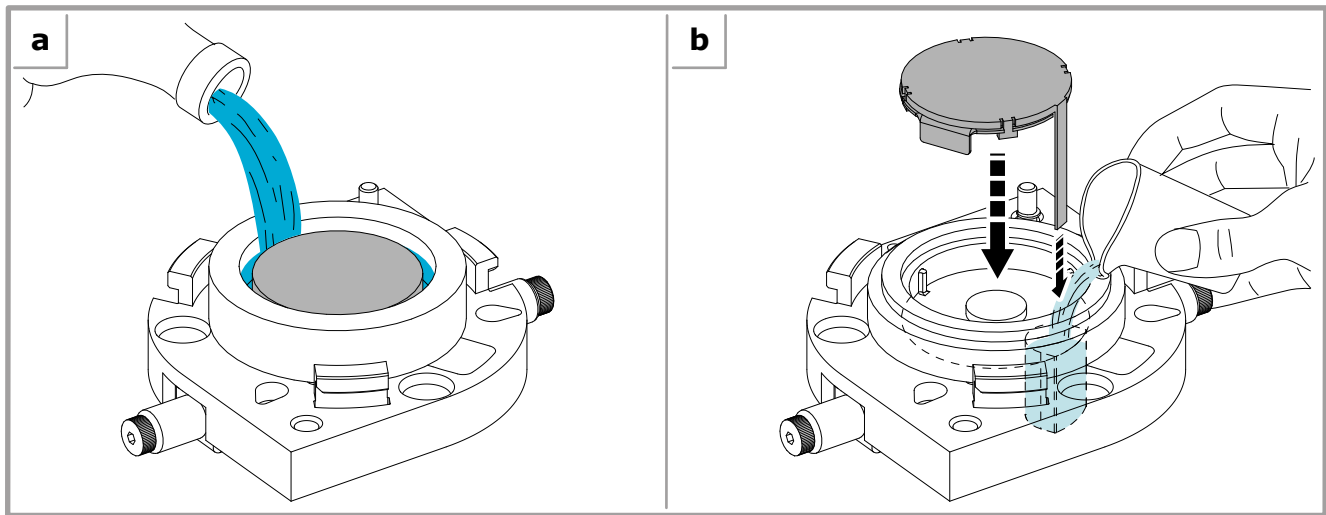


1. Open the Autocap using the command in the management software.
2. Disconnect power supply (chapter 5.6).
3. If present, open the inspection door in the dispensing area.
4. Loosen screw A (if present) and remove the sponge support B by turning it counter-clockwise.



WITHOUT HUMIDIFIER SYSTEM	WITH SOLVENT HUMIDIFIER SYSTEM	WITH WATER HUMIDIFIER SYSTEM
<p>a. Check the condition of the sponge and moisten as needed. The level of the humidifying liquid must not exceed the height of the sponge. If it is very dirty, remove the sponge from the cap and wash it thoroughly.</p>	<p>b. Check the condition of the sponge. If it is very dirty, remove the sponge from the cap and wash it thoroughly. Top up with a small quantity of solvent the tank inside the sponge support; when repositioning the sponge on the filter, be careful to dip the tail into the solvent.</p>	<p>c. Check the condition of the sponge. If it is very dirty, remove the sponge from the cap and wash it thoroughly.</p>

## ORDINARY MAINTENANCE



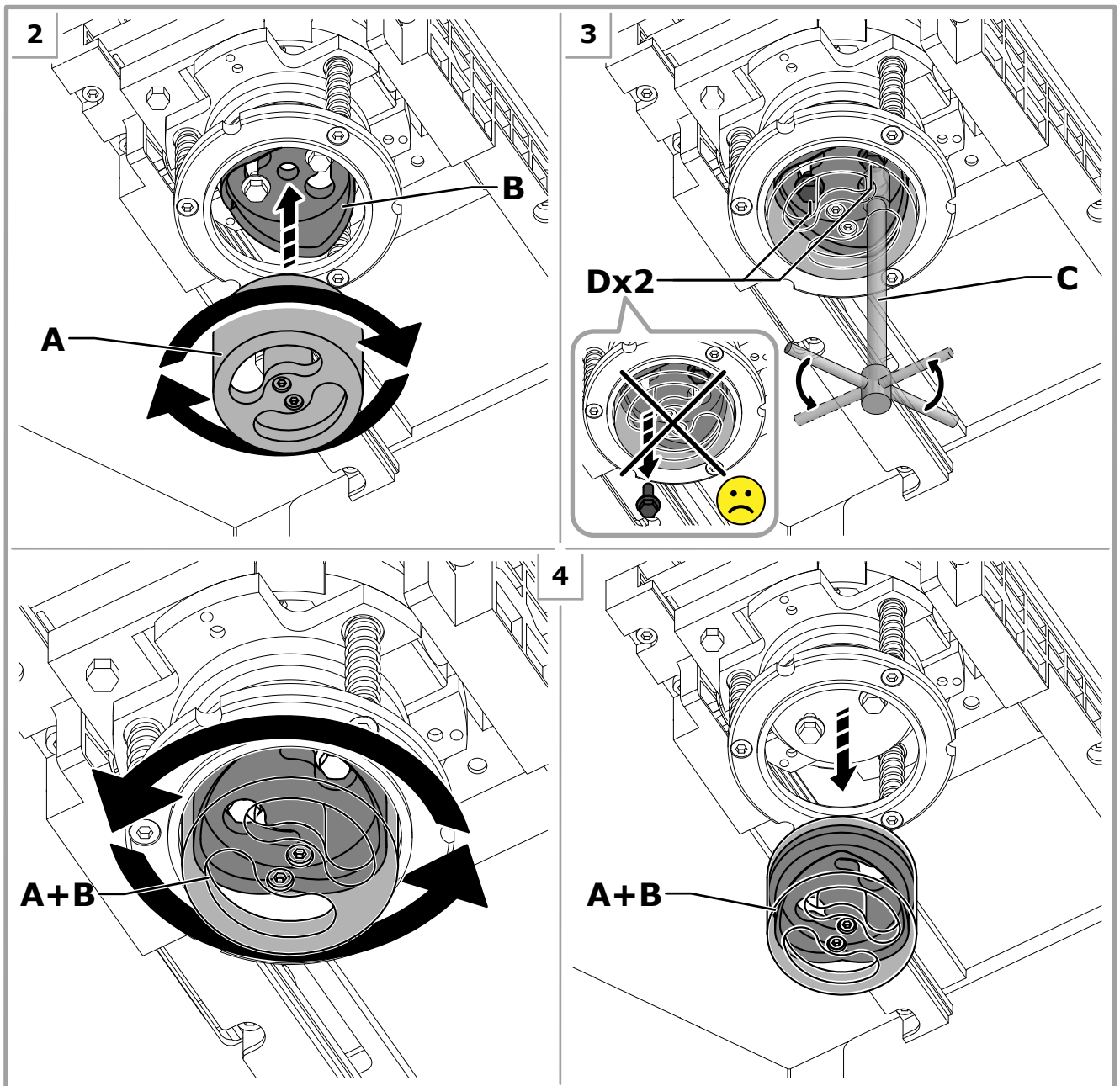
5. In all cases, if the sponge is severely damaged, replace it.
6. Fit back the sponge support.
7. Connect power supply and switch on the machine (chapter 5.3); the Autocap closes automatically during initialization.

## 7.7 Checking and replacing the puncher

**DANGER**

**TO PERFORM THIS OPERATION YOU MUST WEAR CUT-PROOF GLOVES.**

		8 mm	To remove the puncher



1. Disconnect power supply (chapter 5.6).
2. Screw tool A to puncher B.
3. Insert wrench C in the tool slots and slightly loosen screws D (do not unscrew them completely).

## ORDINARY MAINTENANCE

4. Rotate and pull down tool A, so as to remove puncher B, then separate the puncher from the tool.
5. If necessary, clean the surfaces of the puncher to remove encrusted matter, using a product compatible with the type of bases used in your system. We recommend lubricating the puncher walls with a common, non-contaminant lubricant (ENOTAP or similar).
6. Reassemble the puncher following the above steps in reverse order.
7. Connect power supply and switch on the machine (chapter 5.3).

If the can punching is inadequate because the cutting edge of the puncher is excessively worn, replace the worn puncher.

## 7.8 Refilling the humidifier system bottle



### WARNING

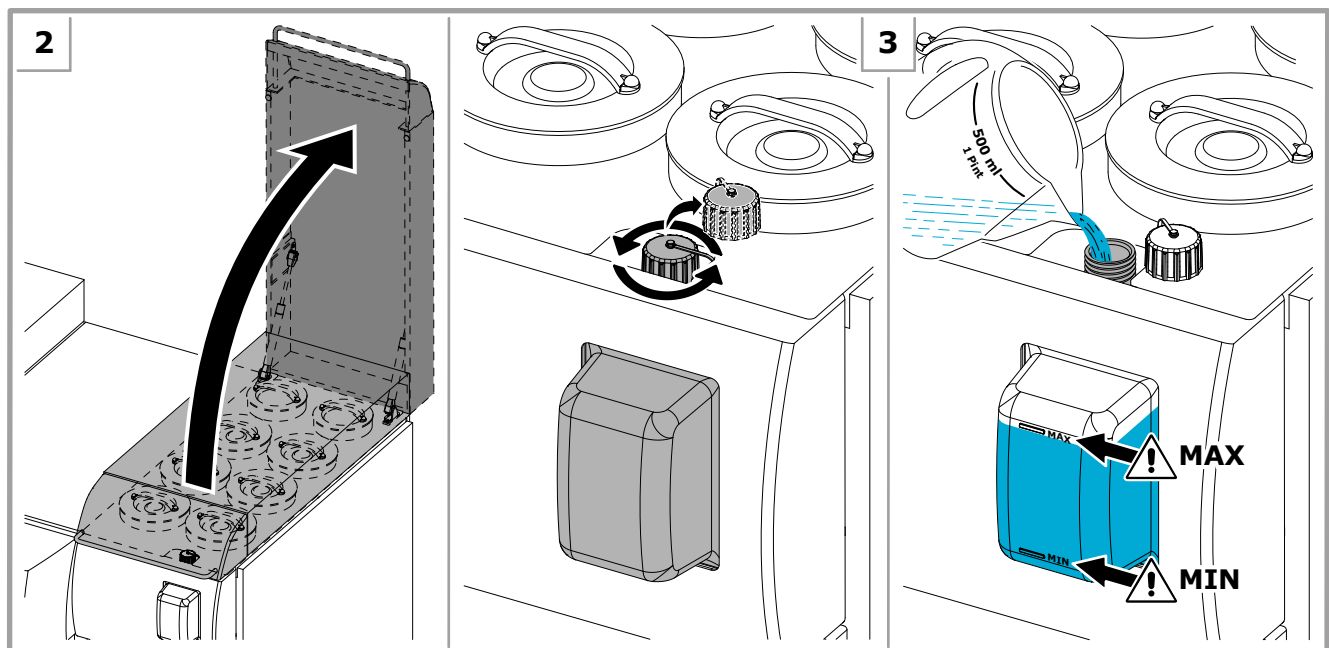
When the water in the bottle reaches the minimum level, fill up immediately.

1. Disconnect power supply (chapter 5.6).
2. Open the machine upper cover where the bottle is located.
3. Unscrew the bottle cap and add water (1 Pint / 0.5 liters maximum), paying attention NOT TO EXCEED THE MAXIMUM LEVEL.




*To reduce the risk of lime encrustations due to hard water, it is recommended to use distilled water.*

4. Replace the cap and firmly tighten.
5. Close the upper cover, connect power supply and switch on the machine (chapter 5.3).



## 8 TECHNICAL SPECIFICATIONS

### 8.1 Technical data

		D600 TE	D600 TI	D700	D800TX
Power supply		Single-phase 220 - 240 V ~ ± 10% Single-phase 100 - 110 V ~ ± 10% Other power supplies available upon request			
Frequency		50/60 Hz			
Fuses*		F 10 A			
Maximum power absorbed*		650 W		650 W (up to 24 circuits) 800 W (from 25 to 32 circuits)	
Noise level		Level of equivalent acoustic pressure: < 70 dB (A)			
Environment working conditions**		Temperature: between 10°C (50°F) and 40°C (104°F) Relative humidity: between 5% and 85%, without condensation			
Vibrations		The machine does not transmit vibrations to the floor that may compromise the stability and precision of any nearby equipment.			
Dispensing technology		gear pump			
Dispensing system		simultaneous			
Dispensing center		External	Internal	\	External
Type of canisters		all-purpose (POM acetalic resin)			
Type of valves		electrovalves			
 ***	Machine	639 lb (290 kg) (16) 772 lb (350 kg) (24)		661 lb (300 kg) (16) 904 lb (410 kg) (32)	
	Packed machine	728 lb (330 kg) (16) 882 lb (400 kg) (24)		750 lb (340 kg) (16) 992 lb (450 kg) (32)	

\* Not including connected auxiliary devices. The power information is purely indicative, and depends strictly on the machine configuration.

\*\* The environment working conditions are strictly related to the type of colorants used (ask for information from the paint manufacturer). The data shown are valid for the machine only.

\*\*\* Data refer to the machine with empty canisters and without accessories.

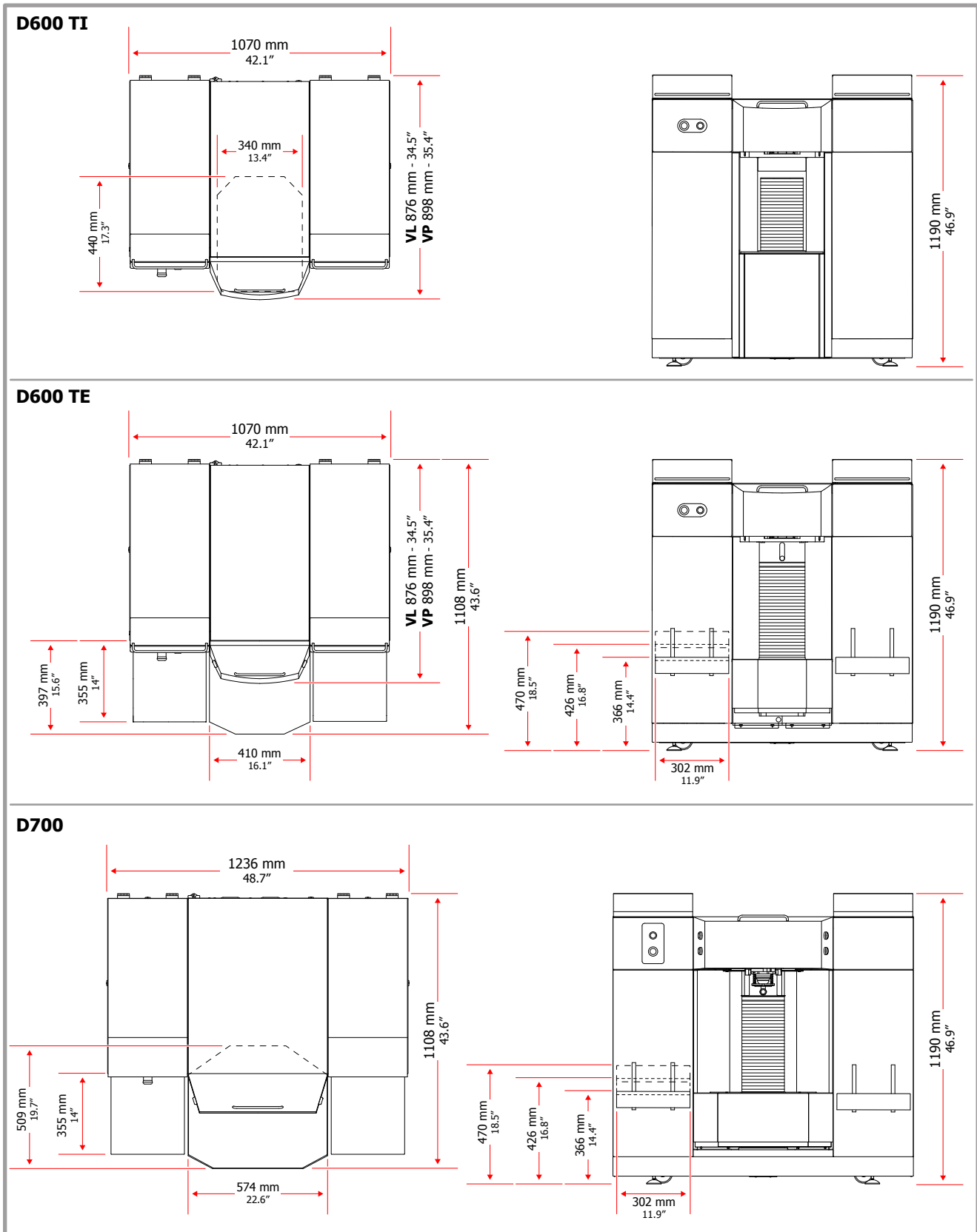
	Standard circuit	LAB circuit	HF circuit
Flow rate (theoretical at 100 rpm)	0.5 l/min	0.161 l/min	0.952 l/min
Minimum dispensed quantity****	1/384 US fl oz (0.077 ml)	1/1152 US fl oz (0.026 ml)	1/192 US fl oz (0.154 ml)
Theoretical resolution****	0.00214 cc/step	0.000713 cc/step	0.00428 cc/step

\*\*\*\* Values highly affected by the nature of the colorants and their rheological properties.

**TECHNICAL SPECIFICATIONS**

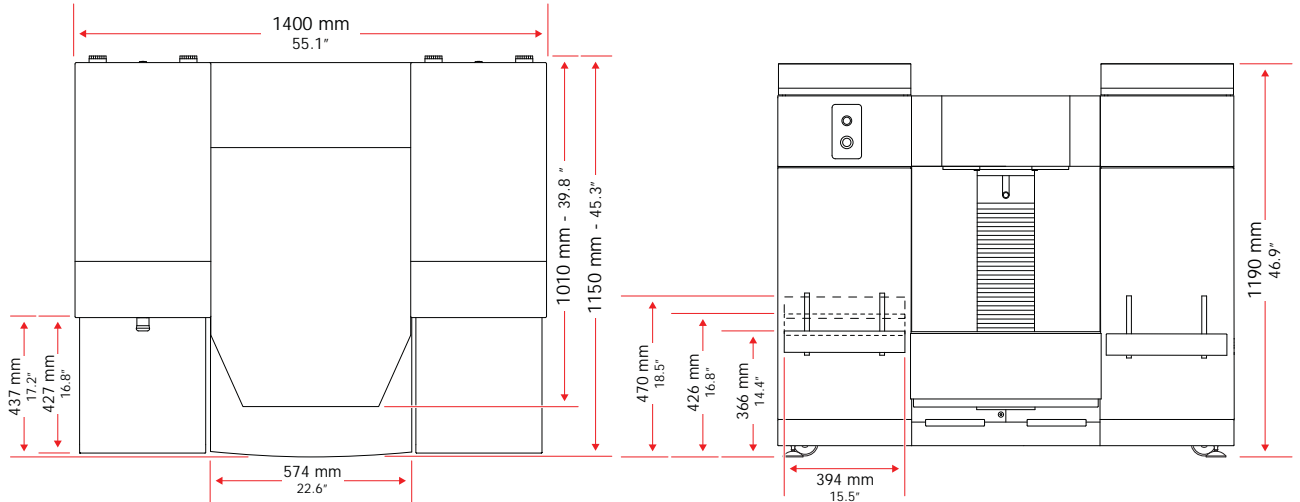
**8.2 Dimensions**

\* Data are indicative and depend on machine configuration.

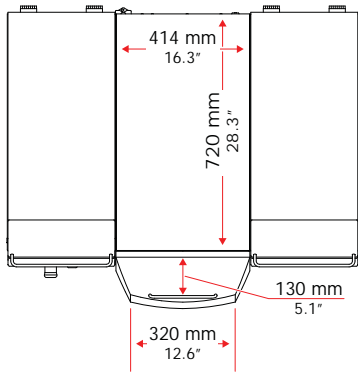




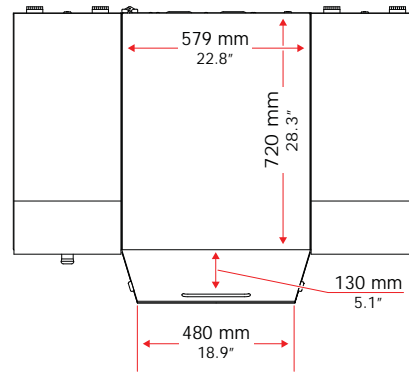
**D800TX**



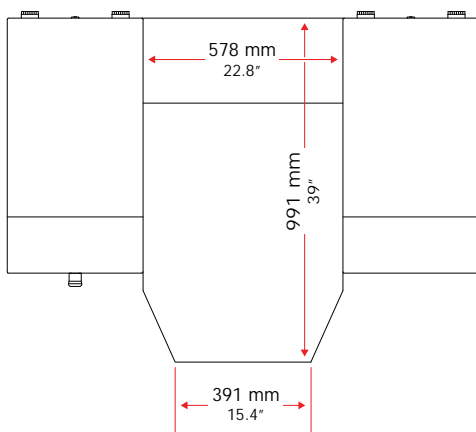
**D600 TI / D600 TE**



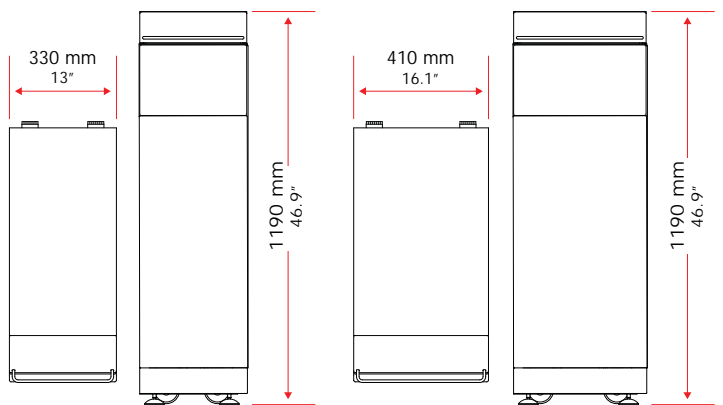
**D700**



**D800TX**



**ADDITIONAL MODULE**



### 8.3 Declaration of conformity


---

See Appendix.

### 8.4 Warranty

---

In order for the warranty to be valid, please complete the form included in the machine packing, and send it to the address listed on the form itself.

 *Contact our authorized and qualified personnel only for all your service needs. Use only original spare parts for all maintenance and replacement interventions.*

Altering or removing the guards and safety devices provided on the machine will not only void the warranty immediately, but is also dangerous and illegal.

The manufacturer may not be held liable for personal injury or property damage caused by improper use of the equipment or tampering with the guards and safety devices installed on the machine.

The following shall **void the manufacturer's warranty**:

- Improper use of the machine.
- Failure to observe the instructions and maintenance rules set forth in the manual.
- Making or having changes and/or repairs made on the machine by personnel outside the service organization authorized by the manufacturer and/or made using non-original spare parts.

## Dichiarazione CE di Conformità *EC Declaration of Conformity*

Versione linguistica originale in Italiano

*Translation of the original Italian version*

DESCRIZIONE - *DESCRIPTION*

**DISPENSATORE AUTOMATICO  
AUTOMATIC DISPENSER**

MODELLO - *MODEL*

MATRICOLA - *SERIAL No.*

**[MACHINE NAME]**

Fabbricante e persona autorizzata a costituire il fascicolo tecnico:  
*Manufacturer and person authorised to compile the technical file:*

**COROB S.p.A.**

**Via Agricoltura, 103 - 41038 San Felice s/P (MO) - Italy**

Il fabbricante dichiara sotto la propria esclusiva responsabilità che la macchina alla quale questa dichiarazione si riferisce è conforme ai requisiti essenziali previsti dalle seguenti direttive:

*The manufacturer certifies, under its own responsibility, that the machine to which this statement refers to, complies with the essential requirements foreseen by the regulations:*

- Direttiva Macchine 2006/42/CE
- Direttiva Compatibilità Elettromagnetica 2014/30/EU
- Direttiva 2011/65/EU come modificata da 2015/863/EU
- Direttiva WEEE 2012/19/EU

- *Machinery Directive 2006/42/EC*
- *Electromagnetic Compatibility Directive 2014/30/EU*
- *Directive 2011/65/EU as amended by 2015/863/EU*
- *WEEE Directive 2012/19/EU*

Si garantisce poi che la progettazione della macchina e la relativa produzione è effettuata, e documentata, seguendo precise procedure aziendali conformi con la norma EN ISO 9001:2015 inerente i sistemi di gestione qualità.

*It is furthermore guaranteed that the design of the machine and the relevant manufacturing are carried out, and supported by documents, following accurate factory procedures in accordance with the standard EN ISO 9001:2015 about quality management systems.*

Andrea Alvisi  
(Special Proxy Holder)  
COROB S.p.A.  
San Felice sul Panaro, 10/05/2021

