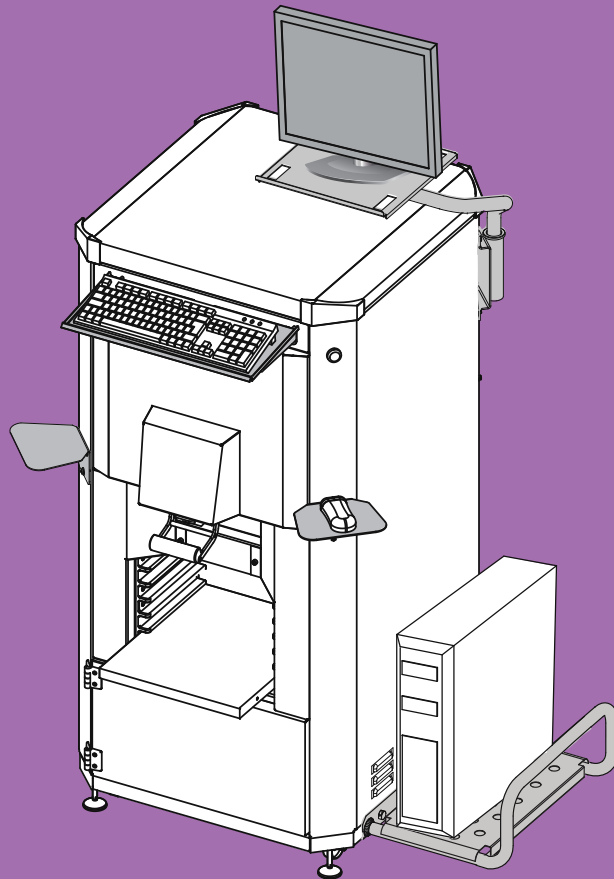


COROB™ FIRST 70

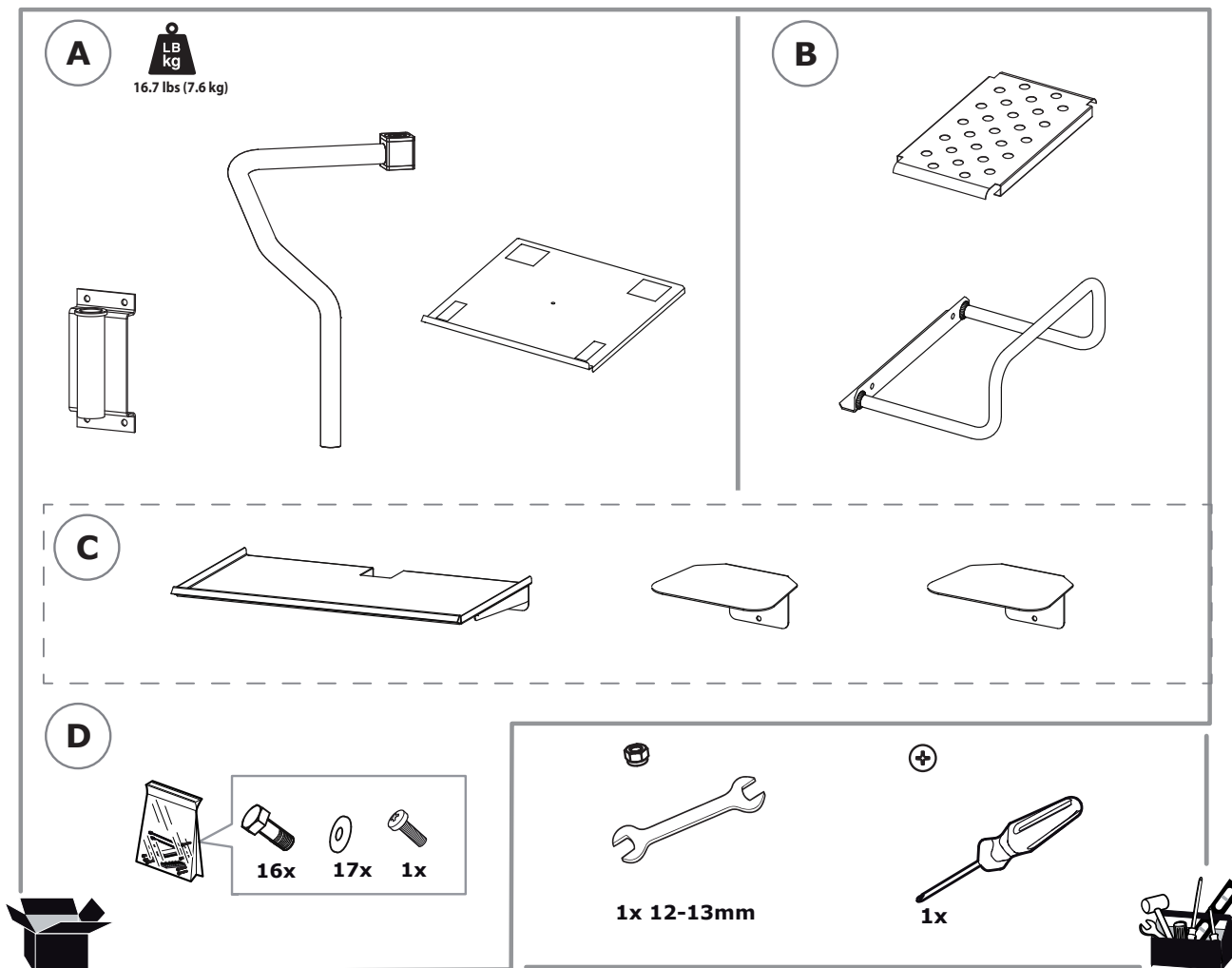


COMPUTER SUPPORT KIT ASSEMBLY INSTRUCTIONS



ASSEMBLY INSTRUCTIONS

Fig. 1



BOX CONTENTS

- A - Monitor support kit, with corresponding mounting nut, bolt and washer.
- B - CPU support kit.
- C - Keyboard, Mouse and Printer support kit.
- D - Material to secure kit.

SAFETY WARNINGS







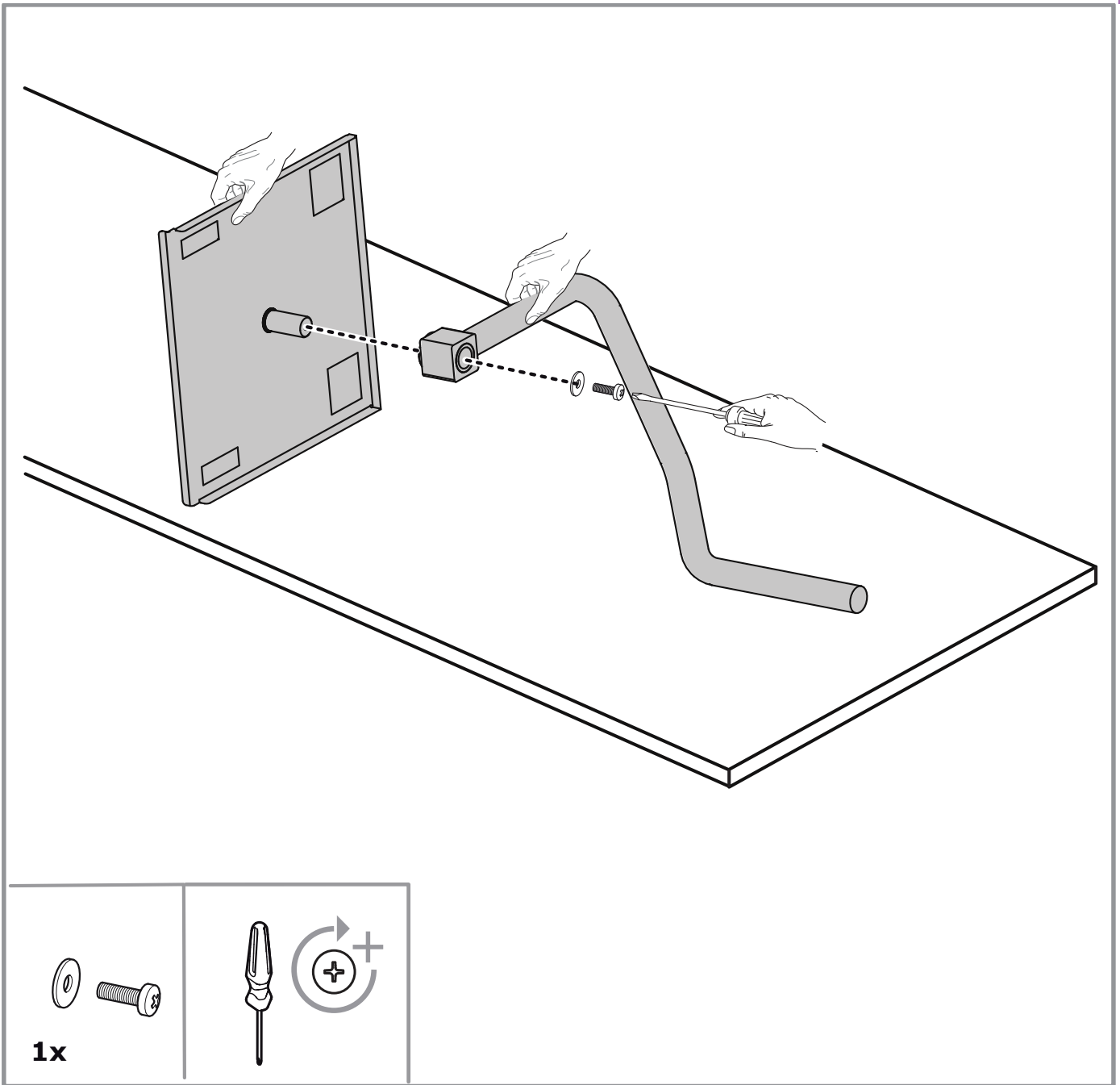
-  The assembly must be carried out exclusively by specialized personnel. Read the instructions before proceeding with the assembly.
-  Wear Personal Protective Equipment during assembly stages.
-  Max monitor size:
17" (LxDxH) 49 cm x 37.7 cm x 31 cm
-  Max CPU size:
L - 43.1 cm x H - 35.5 cm x W - 18.5 cm
-  Do not exceed the maximum load allowed on the CPU support:
10.0 kg / 22.04 lb.
-  Do not place any objects other than monitor, keyboard and mouse on top of the support kit.

Fig. 2

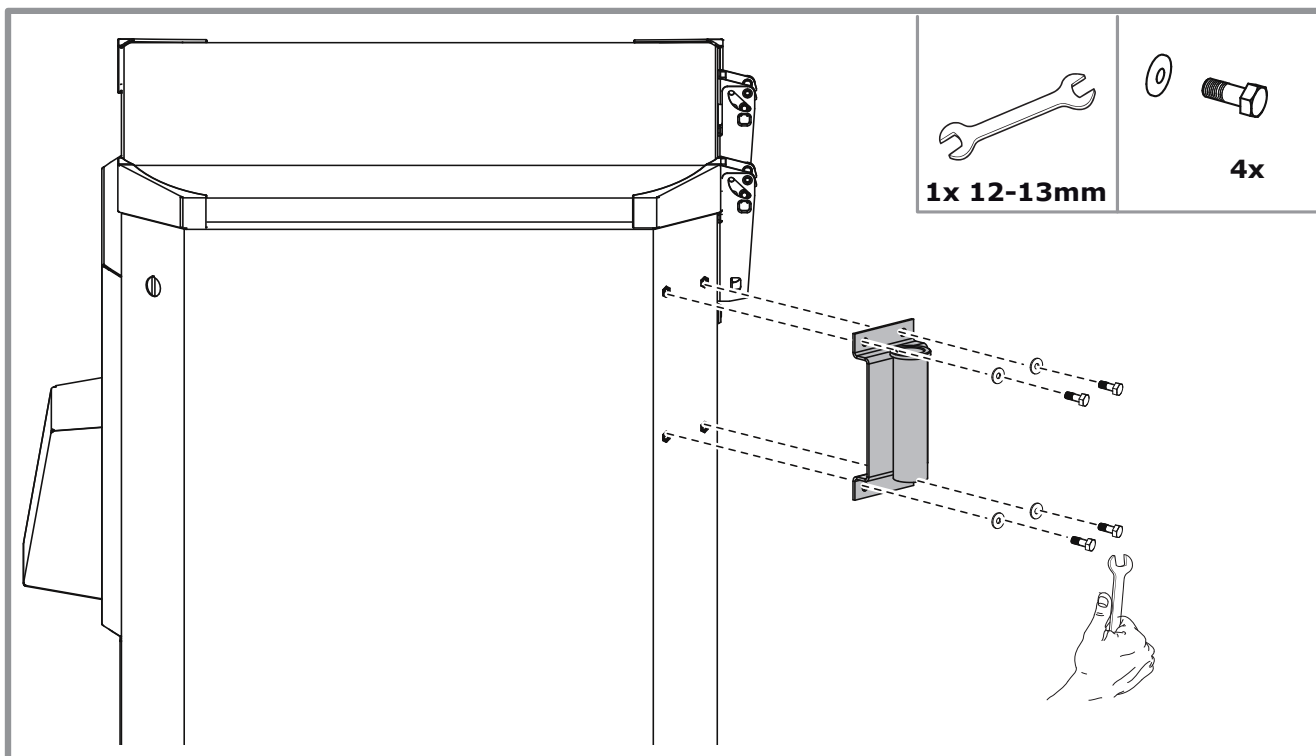


MOUNTING THE MONITOR SUPPORT BRACKET

Working on a bench, secure the monitor support arm to the monitor support bracket.

ASSEMBLY INSTRUCTIONS

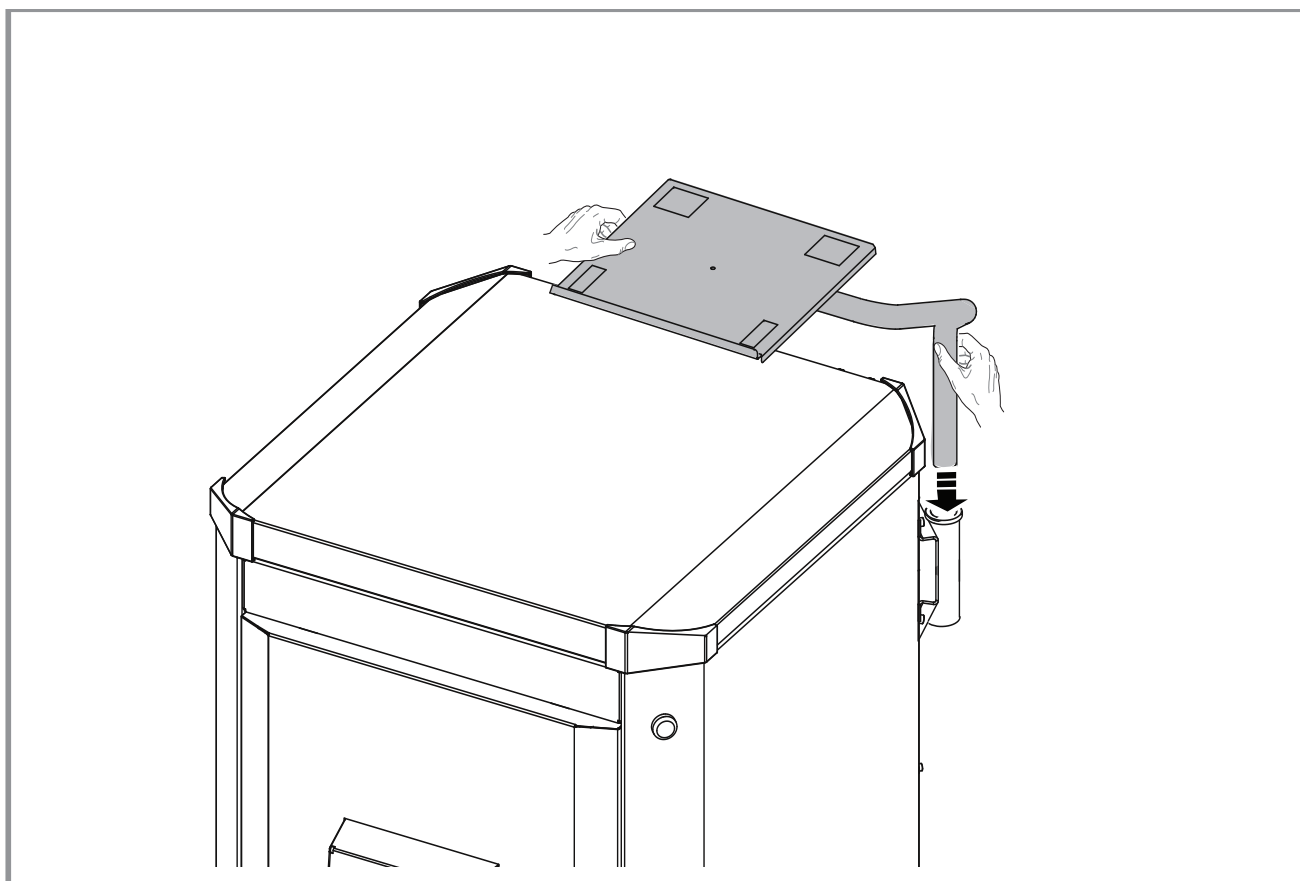
Fig. 3



MOUNTING THE MONITOR FIXING BRACKET

Secure the monitor fixing bracket, with corresponding mounting screws and washers.

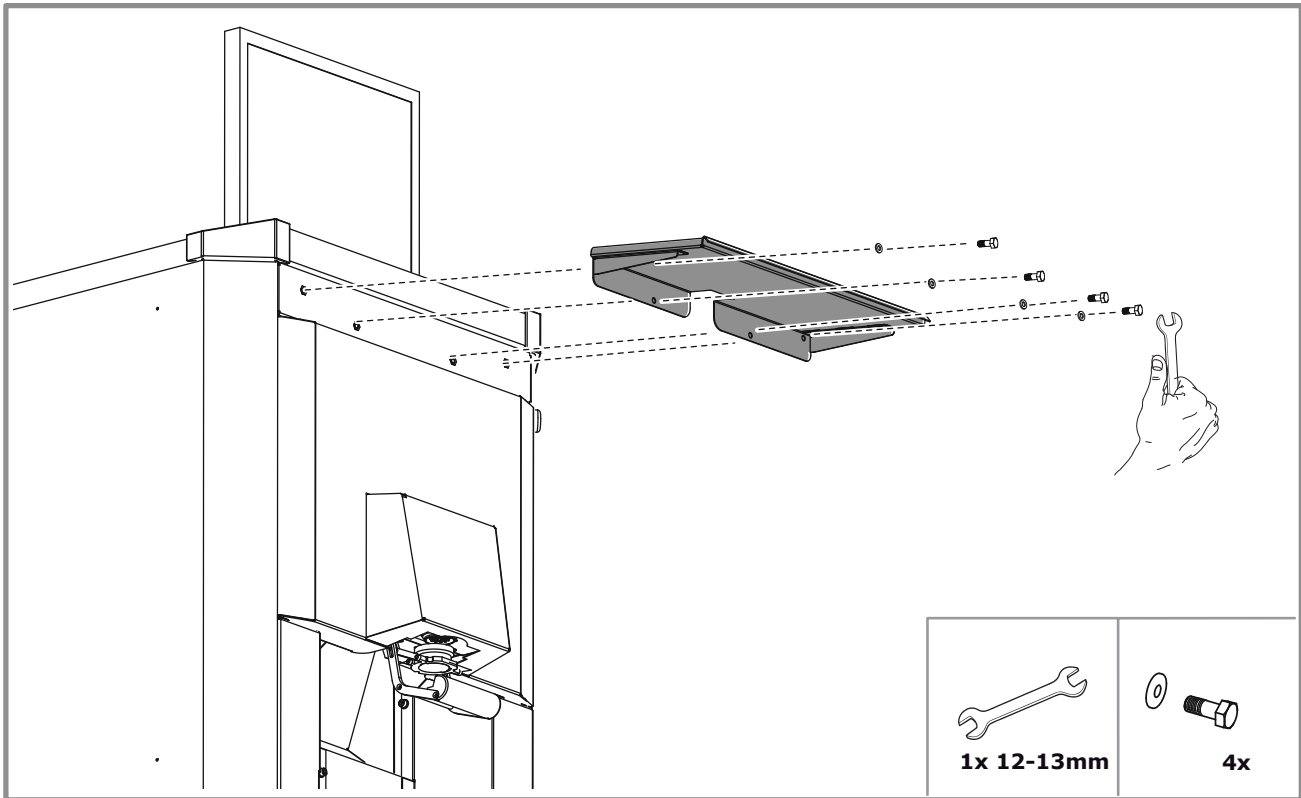
Fig. 4



FIXING THE MONITOR ASSEMBLY

Fix the monitor assembly with fixing monitor bracket.

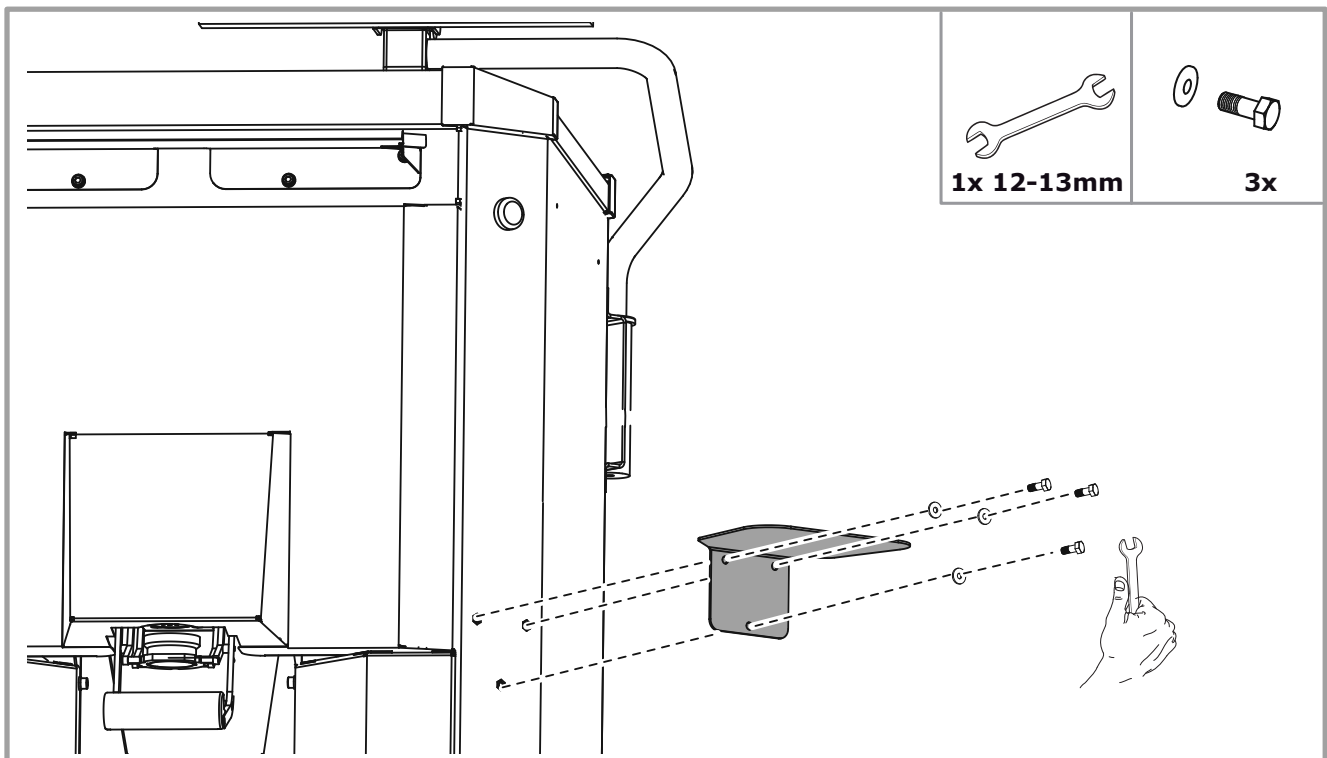
Fig. 5



MOUNTING THE KEYBOARD SUPPORT

Secure the keyboard support, with corresponding mounting screws and washers.

Fig. 6

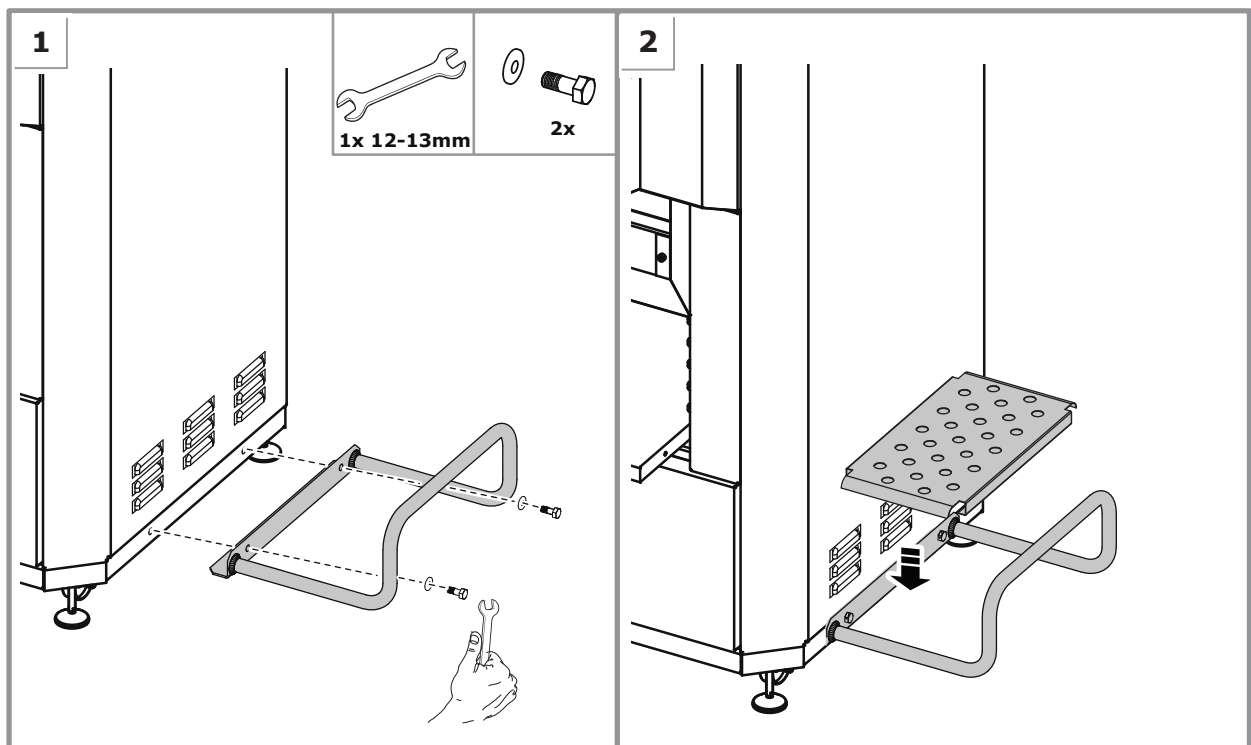


MOUNTING THE MOUSE/PRINTER SUPPORT

Secure the mouse/printer support, with corresponding mounting screws and washers. Support can be mounted either on the right or the left side of machine.

ASSEMBLY INSTRUCTIONS

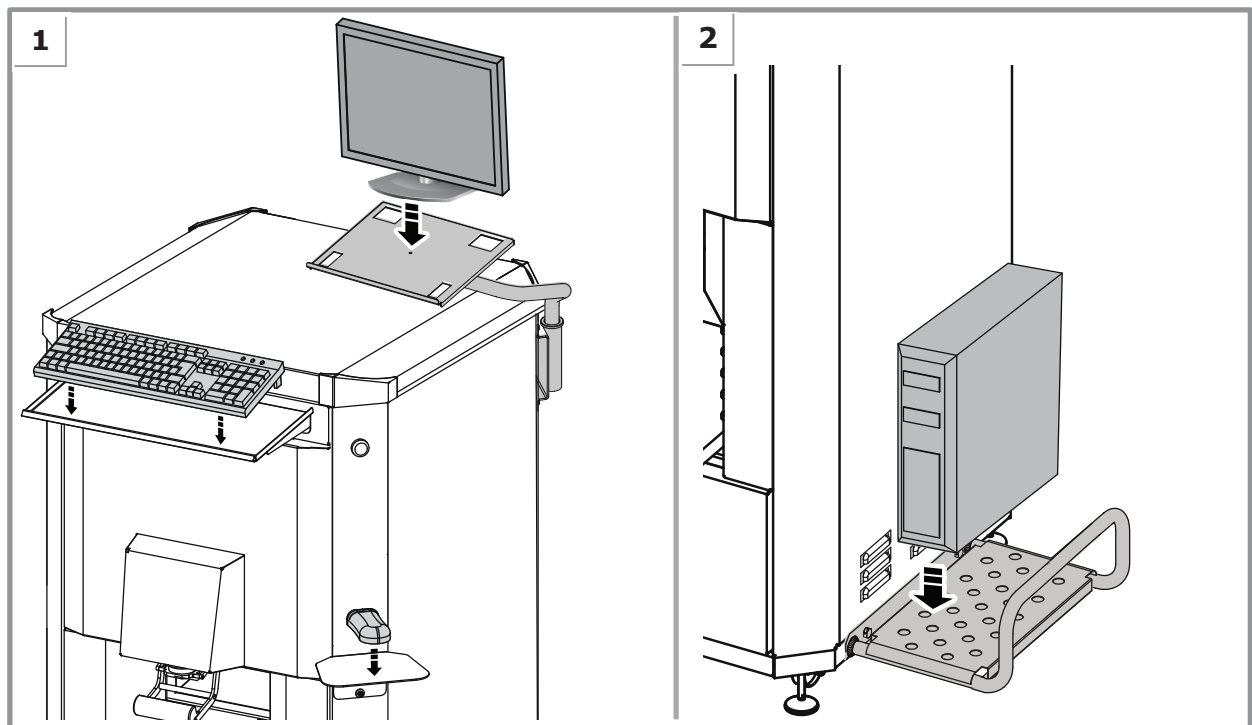
Fig. 7



MOUNTING THE CPU SUPPORT

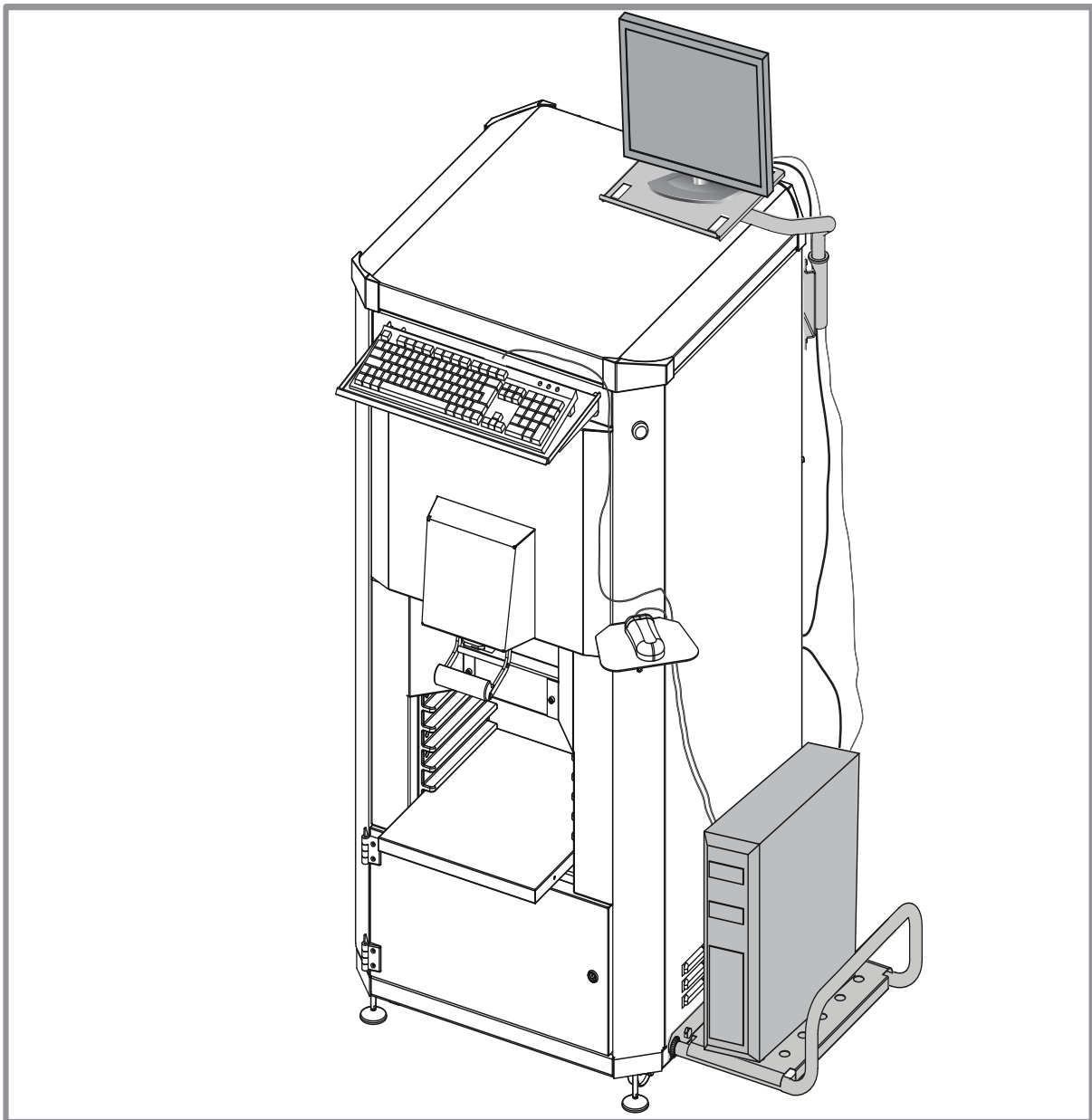
1. Secure the CPU support, with corresponding mounting screws and washers.
2. Place the CPU support plate.

Fig. 8



PREPARE THE WORKSTATION

1. Place the keyboard, mouse corresponding support shelves.
2. Place the CPU on the CPU support plate.



CABLE ROUTING DETAILS FOR EXTERNAL CPU

1. Connect the signal and power cables to the monitor.
2. Connect keyboard and mouse cables to the CPU.
3. Connect power cable to CPU.
4. Connect both monitor and CPU power cables to power socket.

COROB S.p.A.

Via Agricoltura 103 • 41038 San Felice s/P • Modena • Italy

Phone: +39-0535-663111 • Fax: +39-0535-663285

Web site: www.corob.com

Email: info.it@corob.com

COROB India Pvt. Ltd.

158, Dani Compound, Vidyanagari Marg, C.S.T. Road, Kalina, Santacruz (E), Mumbai - 400098

Maharashtra, India

p +91 22 6649 7777 • f +91 22 6649 7700

**Factory: Plot No. 10 - 13 & 13 A, Daman Industrial Estate, Somnath Road, Daman - 396210
India**

© COPYRIGHT 2014, COROB S.p.A..

Tutti i diritti riservati in tutti i paesi

Nessuna parte di questo manuale può essere tradotta in altra lingua e/o adattata e/o riprodotta in altra forma e/o mezzo meccanico, elettronico, per fotocopie, registrazioni o altro, senza una precedente autorizzazione scritta da parte di COROB S.p.A..

COROB™ è un marchio commerciale e/o registrato in uso esclusivo da parte di COROB S.p.A. e delle sue consociate (di seguito "COROB").

L'elaborazione del testo e delle immagini è stata vagliata con la massima cura, nonostante ciò COROB si riserva il diritto di modificare e/o aggiornare le informazioni qui contenute per correggere errori tipografici e/o imprecisioni, senza preavviso o alcun impegno da parte della stessa.

© COPYRIGHT 2014, COROB S.p.A..

All rights reserved in all countries

No part of this manual may be translated into any other languages and/or adapted and/or reproduced in any form, or by any means, electronic or mechanical, including but not limited to photocopying and recording, without prior written permission of COROB S.p.A..

CCOROB™ is a registered trademark and/or commercial trademark used on an exclusive basis by COROB S.p.A. and its affiliated companies (hereinafter "COROB").

COROB has carefully reviewed the wording and imagines contained in the present manual, nevertheless COROB reserves the right to modify and/or update the information herein to correct editorial errors and/or inaccuracy of the information herein without notice or commitment on its part.