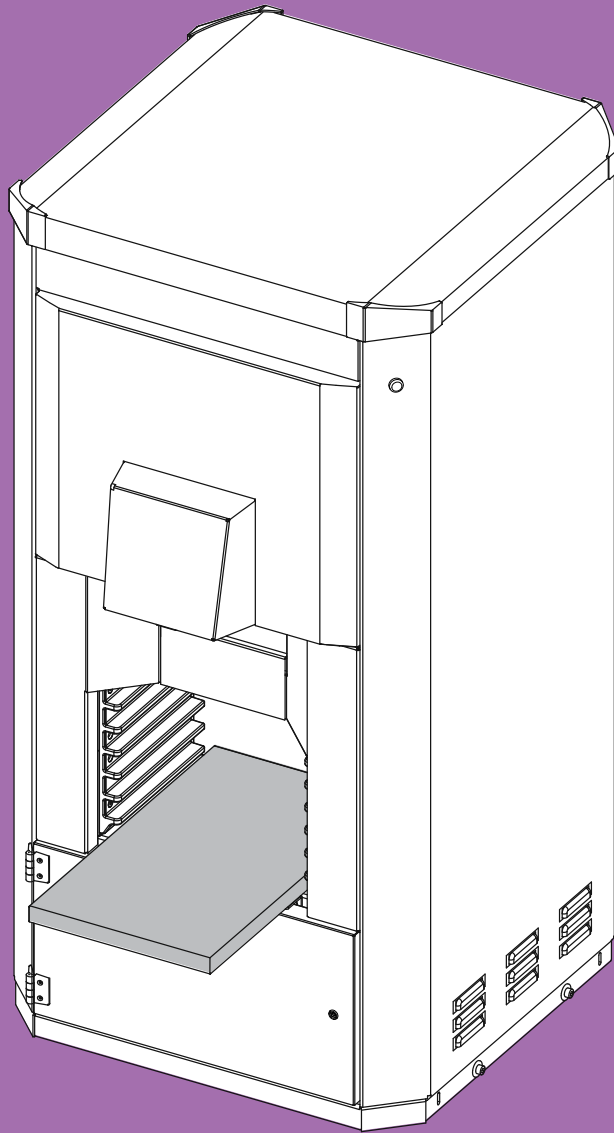


# COROB™ FIRST 70

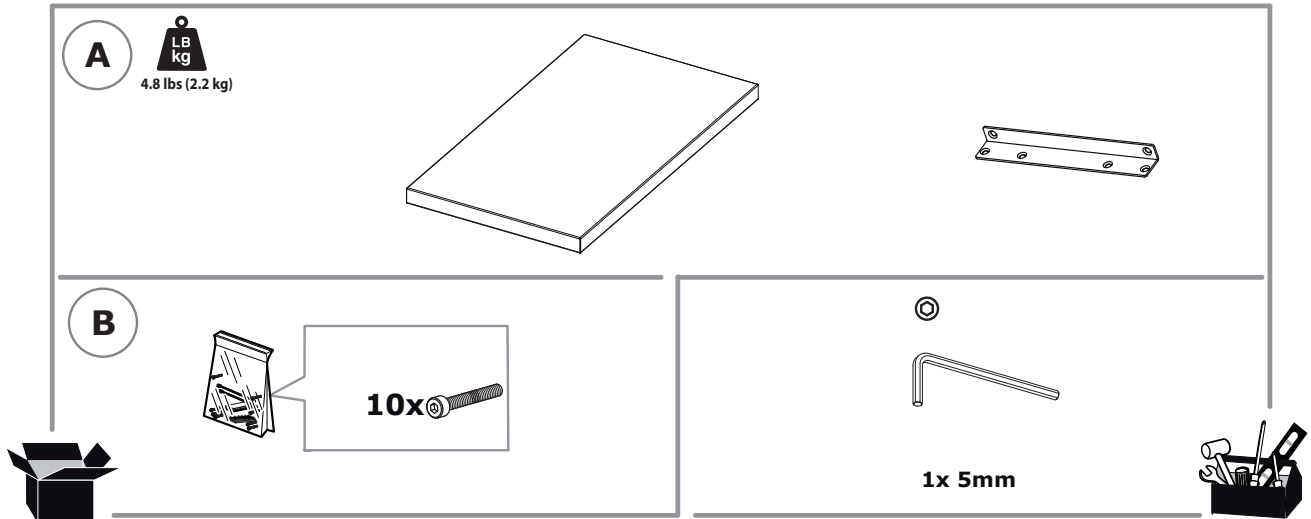


## ***FIXED SHELF KIT ASSEMBLY INSTRUCTIONS***



# ASSEMBLY INSTRUCTIONS

Fig. 1



## BOX CONTENTS

- A - 20 LT Fixed Shelf, support kit with corresponding mounting bracket.
- B - Material to secure 20 LT Fixed Shelf.

## SAFETY WARNINGS



The assembly must be carried out exclusively by specialized personnel. Read the instructions before proceeding with the assembly.

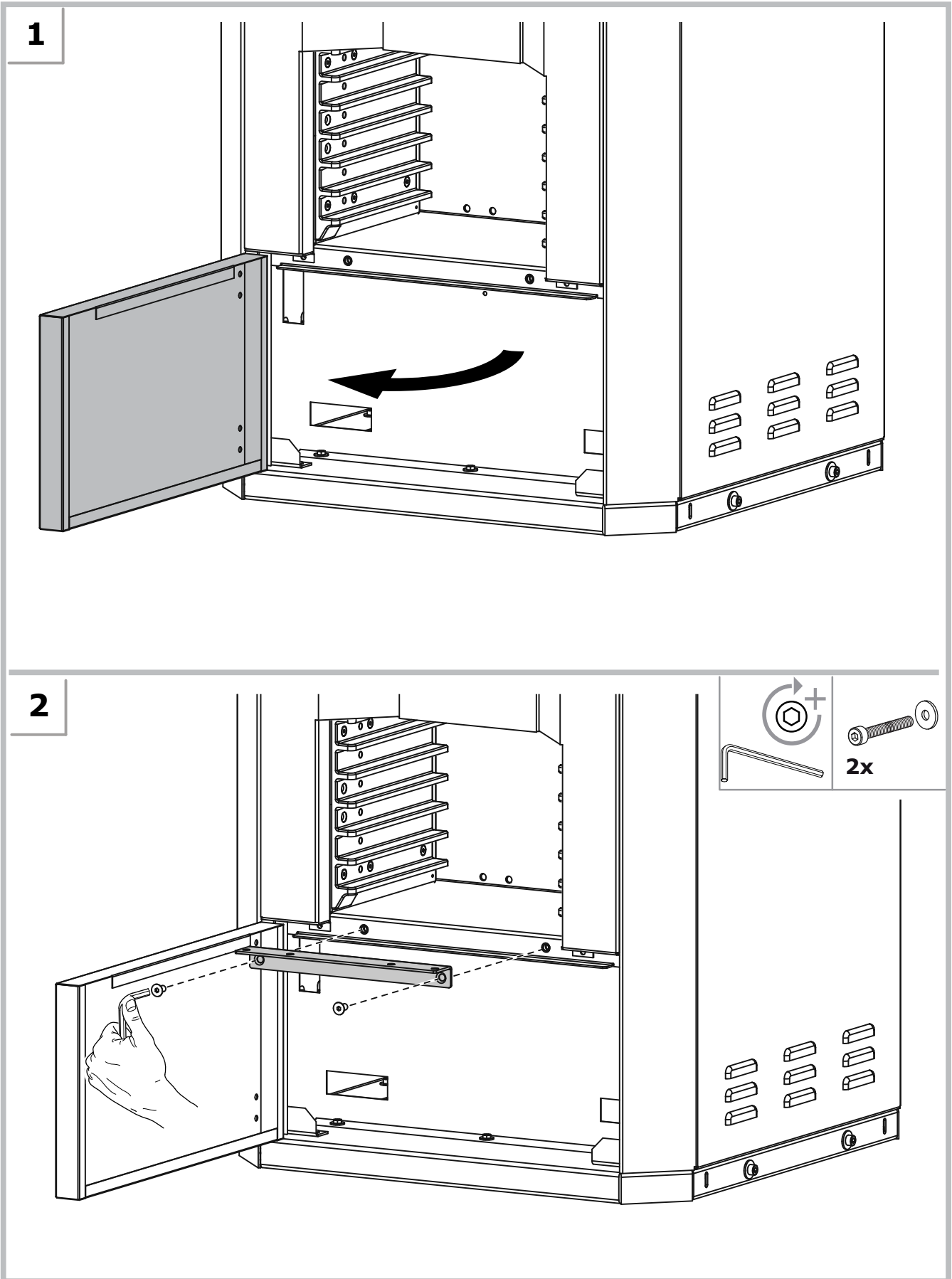


Wear Personal Protective Equipment during assembly stages.



Do not exceed the maximum load allowed on the shelf:  
35.0 kg / 77.16 lb.

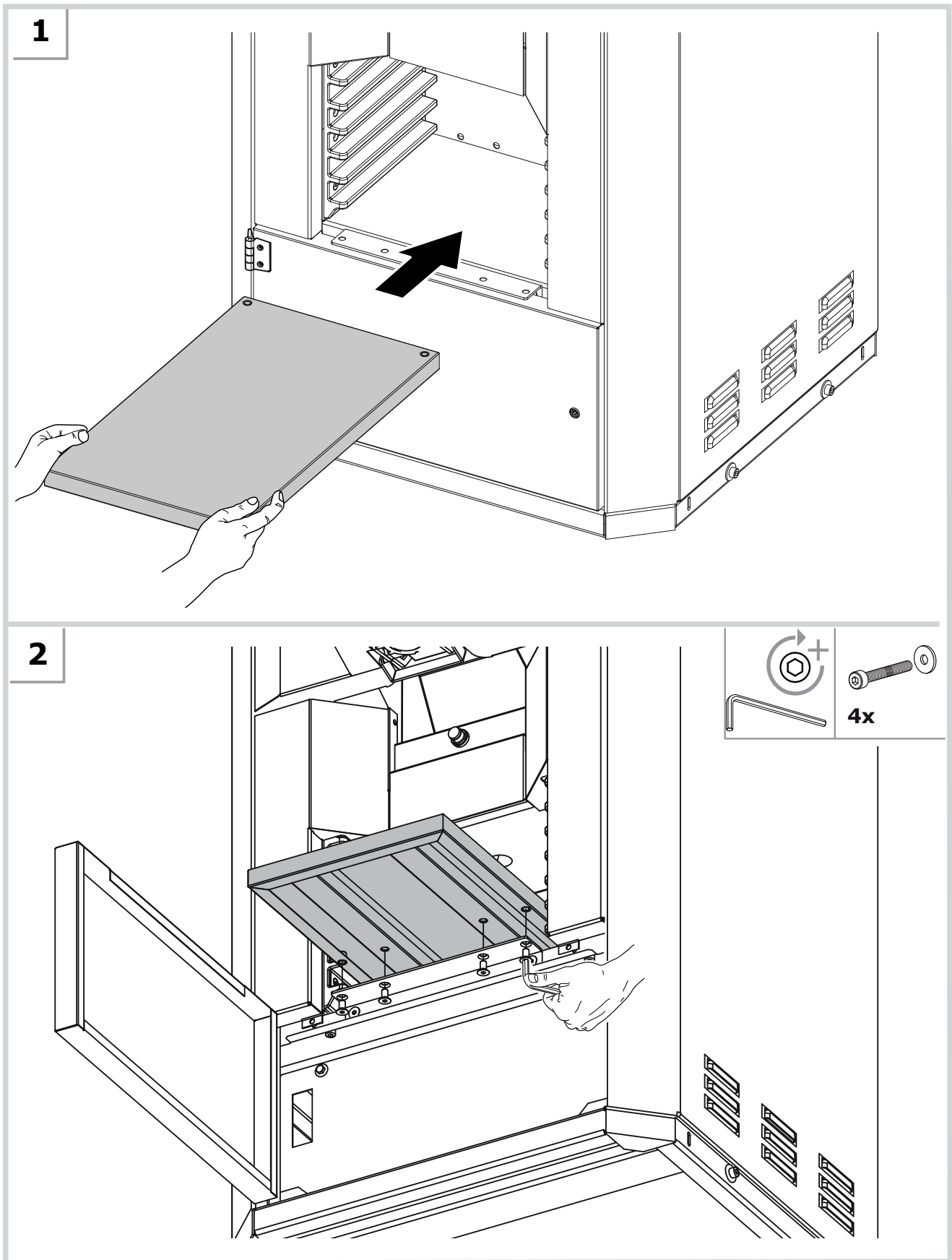
Fig. 2



## FIXING THE FRONT SUPPORT BRACKET

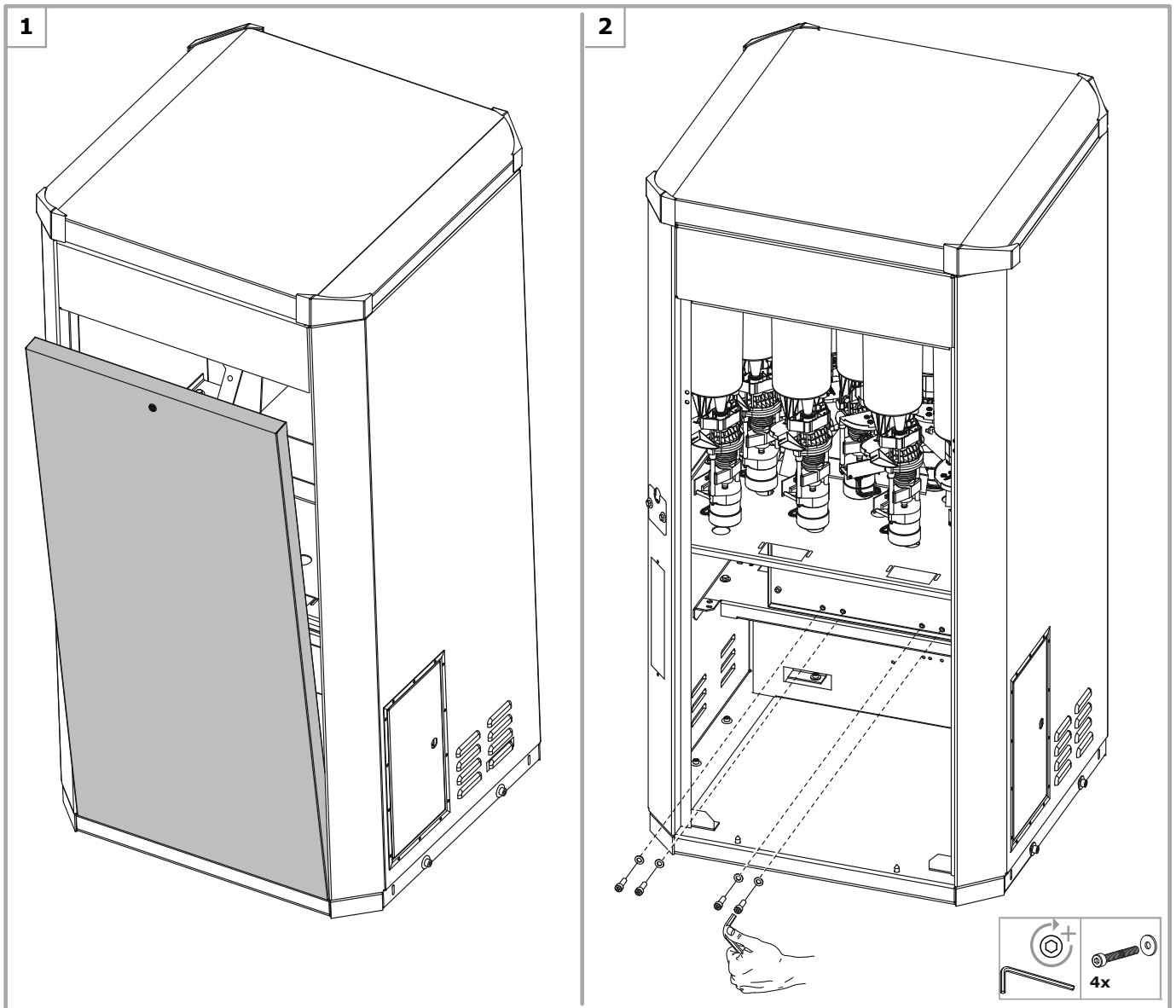
1. Open the front door, using the appropriate key.
2. Secure the F70 Fix Shelf Support using the corresponding hardware and screws.

Fig. 3



## FIXING THE FRONT SUPPORT BRACKET

1. Close the door and insert the 20 LT Fixed Shelf into the appropriate slot. Open the door.
2. Secure the F70 Fix Shelf Support using the corresponding hardware and screws. After securing the shelf, close the door.



## OPENING THE BACK COVER

1. Open the back cover, using the required key.
2. Secure the 20 LT Fixed Shelf using the appropriate hardware and screws. Close the back cover.

## **COROB S.p.A.**

**Via Agricoltura 103 • 41038 San Felice s/P • Modena • Italy**

**Phone: +39-0535-663111 • Fax: +39-0535-663285**

**Web site: [www.corob.com](http://www.corob.com)**

**Email: [info.it@corob.com](mailto:info.it@corob.com)**

## **COROB India Pvt. Ltd.**

**158, Dani Compound, Vidyanagari Marg, C.S.T. Road, Kalina, Santacruz (E), Mumbai - 400098**

**Maharashtra, India**

**p +91 22 6649 7777 • f +91 22 6649 7700**

**Factory: Plot No. 10 - 13 & 13 A, Daman Industrial Estate, Somnath Road, Daman - 396210  
India**

© COPYRIGHT 2015, COROB S.p.A..

Tutti i diritti riservati in tutti i paesi

Nessuna parte di questo manuale può essere tradotta in altra lingua e/o adattata e/o riprodotta in altra forma e/o mezzo meccanico, elettronico, per fotocopie, registrazioni o altro, senza una precedente autorizzazione scritta da parte di COROB S.p.A..

COROB™ è un marchio commerciale e/o registrato in uso esclusivo da parte di COROB S.p.A. e delle sue consociate (di seguito "COROB").

L'elaborazione del testo e delle immagini è stata vagliata con la massima cura, nonostante ciò COROB si riserva il diritto di modificare e/o aggiornare le informazioni qui contenute per correggere errori tipografici e/o imprecisioni, senza preavviso o alcun impegno da parte della stessa.

© COPYRIGHT 2015, COROB S.p.A..

All rights reserved in all countries

*No part of this manual may be translated into any other languages and/or adapted and/or reproduced in any form, or by any means, electronic or mechanical, including but not limited to photocopying and recording, without prior written permission of COROB S.p.A..*

*CCOROB™ is a registered trademark and/or commercial trademark used on an exclusive basis by COROB S.p.A. and its affiliated companies (hereinafter "COROB").*

*COROB has carefully reviewed the wording and imagines contained in the present manual, nevertheless COROB reserves the right to modify and/or update the information herein to correct editorial errors and/or inaccuracy of the information herein without notice or commitment on its part.*