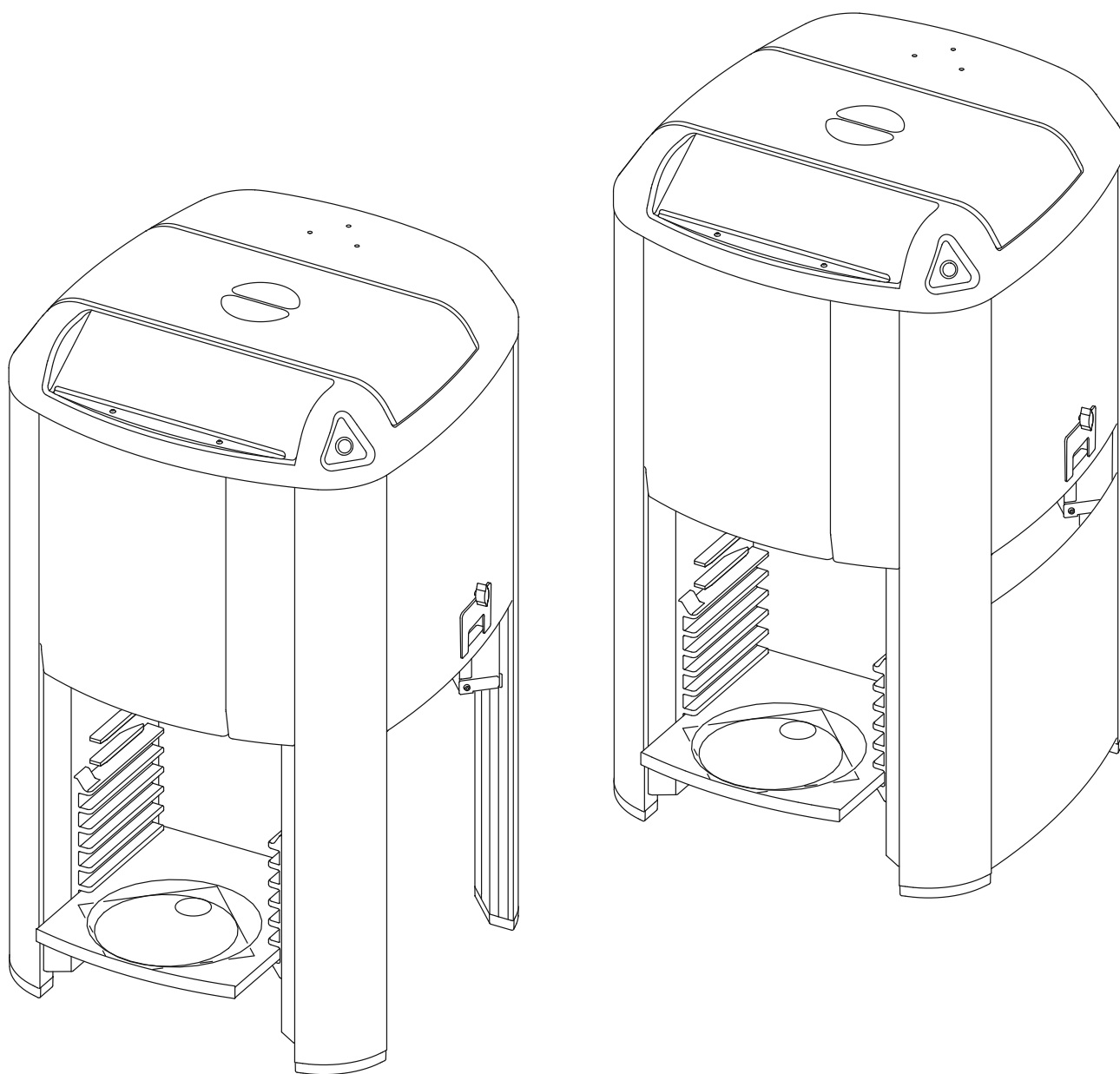


# FLEX 200

## Automatic Dispenser



User's Manual  
Automatic Dispenser  
**FLEX 200**  
Version 1.0 - R (0 /20 )  
ORIGINAL INSTRUCTIONS

© COPYRIGHT 20 , COROB S.p.A.  
All rights reserved in all countries

If you require additional copies of this manual or further technical information about it, please write to:

**COROB India Pvt. Ltd.**

**Regd. Office: SF A 01 "Art Guild House" Phoenix Market City Complex, Kamani Junction, LBS Marg, Kurla(W), Mumbai - 400070, Maharashtra, India**

**p +91 22 6649 7777 • f +91 22 6649 7700**

**Factory: Plot No. 10 - 13 & 13 A, Daman Industrial Estate, GDIDC, Somnath Road - Daman 396210 - India**

**p +91 260 6613777 • f +91 260 6613799**

#### **INTELLECTUAL PROPERTY RIGHTS AND DISCLAIMER**

No part of this manual may be translated into any other languages and/or adapted and/or reproduced in any form, or by any means, electronic or mechanical, including but not limited to photocopying and recording, without prior written permission of COROB S.p.A.

COROB is a registered trademark and/or commercial trademark used on an exclusive basis by COROB S.p.A. and its affiliated companies (hereinafter "COROB").

A failure of a trademark to appear hereunder does not mean that COROB does not use the trademark in question nor does it constitute a waiver by COROB of any related intellectual property rights.

Valuable proprietary technical information contained in the present manual are referring to proprietary know-how, designs, drawings and/or applications used on an exclusive basis by COROB frequently covered by Patents and/or Patent Applications and thus protected by International and National Intellectual Property Laws.

Unless otherwise indicated, all references to other companies other than COROB and its affiliated companies, their names, data and addresses used in the screens and/or examples are purely coincidental and serve as a reference only to clarify the use of the COROB products.

COROB has carefully reviewed the wording and imagines contained in the present manual, nevertheless COROB reserves the right to modify

And/or update the information herein to correct editorial errors and/or inaccuracy of the information herein without notice or commitment on its part.

The present manual contains all information necessary for the foreseeable and normal use of the COROB products by the final user.

The manual does not contain guidelines and/or information for product repair. For safety reasons, only trained and authorized technical personnel should perform such interventions. Failure to do so may result in personal injury or damage to the product.

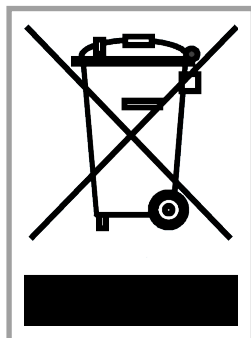
For the purpose mentioned above, COROB has appointed authorized technical personnel.

Authorized technical personnel shall mean technicians who have attended a technical training course held by COROB and/or its affiliated companies.

Unauthorized interventions could void the warranty coverage of your COROB product pursuant to the sales contract or to the General Sales Conditions of COROB. COROB can be held responsible only within the limits of the warranty coverage provided by the General Sales Conditions.

COROB does not intend to limit or exclude its liability against any statutory provisions under any applicable law. Therefore the reference to above warranty limitations or exclusions may not apply.

The final user can ask COROB or visit the web site [www.corob.com](http://www.corob.com) for contact details about the nearest authorized technical service.



#### **PRODUCT DISPOSAL AND RECYCLING**

**This equipment must not be disposed of with unsorted municipal waste. Carry out a separate collection.**

Pursuant to the WEEE Directive, collection, treatment, recovery and environmentally sound disposal of Waste Electrical and Electronic Equipment (WEEE) shall be carried out in compliance with the national measures of each EU-Member State implementing the Directive.

For more information about proper disposal and recycling of your COROB product, please contact the company at the address [info.it@corob.com](mailto:info.it@corob.com).

For the colorants remaining in the canisters, for the machine components most soiled with colorant and if any products have been used on the machine that require special disposal procedures, follow local regulations when disposing of waste.

## QUICK GUIDE

---

### At the beginning of the working day

- Check that the dispensing circuits and the machine in general are clean.
- Check all valves are in closed condition as identified by the sticker.
- Check the conditions of the cleaning brush unit; if necessary, clean and fill the brush container using only appropriate liquid (the choice of the liquid depends on the nature of the colorants, and must be done directly by the manufacture of the products used).
- Carry out system Initialization and Purge.

### Things to remember

- Never let the machine in the OFF position.
- In the canisters, stirring of each colorant takes place automatically (stirring times can however be customized).
- Be careful not to fill the canisters with too much colorant. In case of overfilling, act as indicated in the user's manual.
- The colorant to be poured inside the canisters must be stirred manually. Do not use automatic shakers.
- Close the canisters with their lids immediately after filling operations.
- Remember to update accordingly the canisters filling levels via the management software.

### At the end of the working day

- Refill the canisters.
- Update the canister filling levels in the management software.
- Shut down the computer. Do not shut off the machine.

**It is recommended to carefully read the user's manual.**

# CONTENTS

---

<b>1</b>	<b>GENERAL INFORMATION .....</b>	<b>5</b>
1.1	Purpose and use of this manual .....	5
1.1.1	<i>Conventionally used graphics</i> .....	5
1.2	Definitions .....	5
<b>2</b>	<b>FEATURES .....</b>	<b>6</b>
2.1	Description of the machine .....	6
2.2	Description of unit .....	7
2.3	Usable cans .....	8
2.4	Intended use .....	8
2.5	Identifying information .....	8
<b>3</b>	<b>SAFETY .....</b>	<b>9</b>
3.1	Safety warnings and unauthorized use .....	9
3.2	Warning on the use of colorants .....	10
3.3	Residual risks .....	11
3.4	Position of labels .....	12
3.5	Requirement of the installation site .....	13
3.6	Safety device .....	13
<b>4</b>	<b>SHIPPING, HANDLING AND UNPACKING.....</b>	<b>14</b>
4.1	General warnings.....	14
4.2	Unpacking and placement .....	14
4.2.1	<i>Removing turntable lock hardware</i> .....	16
4.2.3	<i>Standard material supplied</i> .....	17
4.3	Storage .....	17
<b>5</b>	<b>START-UP .....</b>	<b>18</b>
5.1	General warnings .....	18
5.2	Management computer .....	18
5.3	Control devices .....	19
5.4	Electrical connection and start-up .....	20
5.5	Initialization .....	20
5.6	Use of the off-line button .....	21
5.7	Shut-down .....	21
<b>6</b>	<b>USING THE DISPENSER .....</b>	<b>22</b>
6.1	General warnings .....	22
6.2	At the beginning of the working day .....	22
6.3	Running the machine .....	22
6.3.1	<i>Running the machine</i> .....	22
6.3.2	Loading of cans .....	23
6.3.3	Use of the Bung Hole Locator .....	23
6.3.4	Dispensing .....	23
6.4	Automatic process .....	24
6.5	Refilling the canister .....	24
6.6	Troubleshooting .....	27
<b>7</b>	<b>ORDINARY MAINTENANCE .....</b>	<b>28</b>
7.1	General warnings .....	28
7.2	Maintenance table .....	28
7.3	Products to be used .....	28
7.4	External cleaning .....	28
7.5	Refilling the liquid of the cleaning brush .....	29
<b>8</b>	<b>TECHNICAL SPECIFICATIONS .....</b>	<b>30</b>
8.1	Technical data .....	30
8.2	Dimensions .....	31
8.3	Declaration of conformity.....	31
8.4	Warranty .....	31

# 1 GENERAL INFORMATION

---

## 1.1 Purpose and use of this manual

**Read this manual carefully before using the machine.**

This manual, inserted in the product packing, contains instructions on the use and routine maintenance needed to uphold the machine's performance over time. The manual contains all information needed to correctly use the machine and avoid any accident.

The manual is to be considered an integral part of the machine and must be stored until it is fully dismantled.

The manual contains all information available at the time of preparation regarding the machine and any accessories; for accessories, the manual includes any variations or changes that involve different operating procedures.

Should it be lost or partially ruined, so that its contents can no longer be read in full, you must request a new manual from the manufacturer.

**If the images contained in this manual show the machine without the guards and/or employees without personal protective equipment, it is only for the purpose to make clearer the discussion of the issues.**

**Some of the illustrations in this manual were taken from prototypes; some details may differ on machines in standard production.**

### 1.1.1 Conventionally used graphics

**Boldface** type is used to highlight notes or information of particular importance to a topic.



**DANGER**

---

Indicates a risk of personal injury.

---



**WARNING**

---

Indicates a risk of damage to the machine that could interfere with its operation.

---



*Indicates important instructions referring to precautionary rules and/or measures to adopt.*



*Indicates situations and/or operations that involve the management software installed on the computer.*



*Indicates that to carry out the intervention described, the use of the specified tools is required.*

## 1.2 Definitions

### OPERATOR

A person familiar with the methods to produce paints or similar products, trained and authorized to operate and use the machine by its controls and to load and unload production materials with all safety devices installed and enabled. He or she must work only in safety conditions and is allowed to carry out routine maintenance operations.

### MAINTENANCE TECHNICIAN/INSTALLATION TECHNICIAN

Specialist prepared and trained in a technical field (mechanical and electrical) and assigned by the manufacturer to work on the machine to perform machine installation, adjustments, repair breakdowns or carry out maintenance.

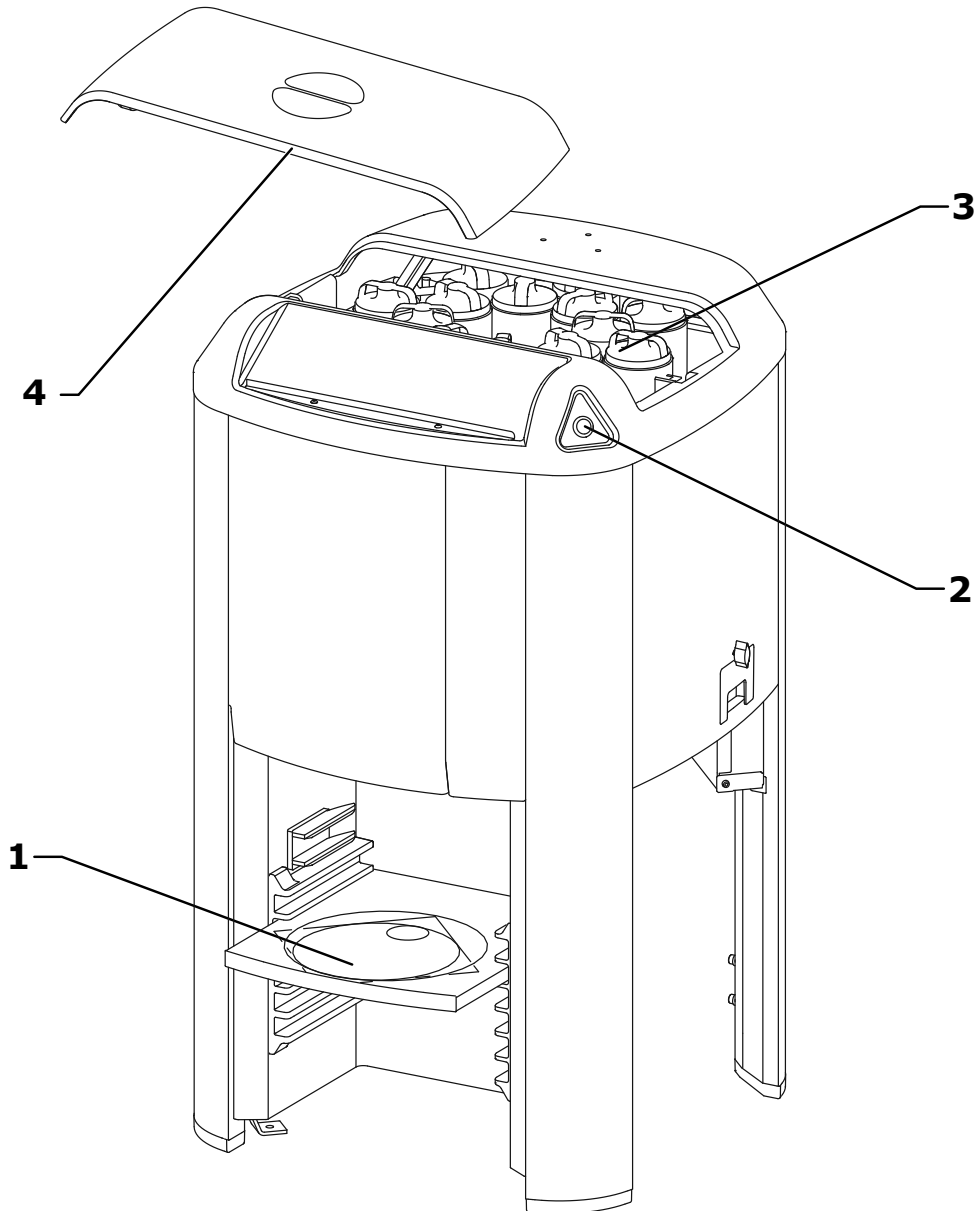
## 2 FEATURES

---

### 2.1 Description of the machine

The **FLEX 200** automatic dispenser is a device to automatically dispense fluid colorant products into containers (metal or plastic canisters, cans or bins) of the size indicated in this manual, pre-filled with base, to produce finished products such as paints, dyes, enamels, and inks of the desired hue, chosen by means of the machine management software.

The **FLEX 200** dispenser, with **5G** technology, features such as an interrupted formula recovery function, if used with programs that support these functions.



The dispenser consists of:

1. Dispensing area and can handling system.
2. Off-line button.
3. Canister filling area.
4. Canister top access cover

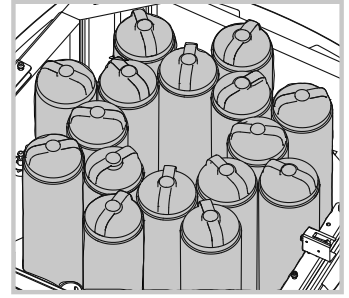
The dispenser is managed by the computer. The manufacturer can also supply a wide range of software applications to manage all of the machine's functions.

If the machine is supplied with the option **COROB Connect**, it will be possible to drive it through the use of an Android or Windows Tablet device, with its corresponding dispensing software. The connection between the device where the dispensing software is installed and the machine is automatic.

## 2.2 Description of unit

### Canister

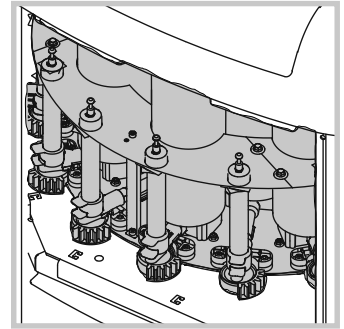
The machine canisters are suitable for containing the product to be dispensed. The cover in the upper part of the machine provides access for filling the canisters. Each canister has its own lid.



### Turntable

The turntable is a rotating structure that houses the canister units and the corresponding dispensing groups with piston pump.

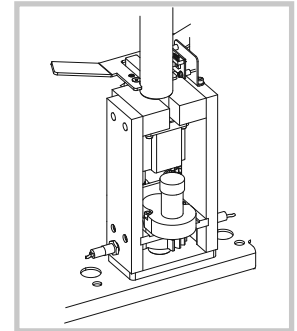
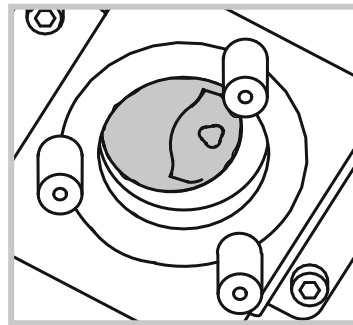
The management program moves automatically the turntable, in both directions, during the dispensing stage, bringing the circuit involved in the dispensing operation to the front position. The turntable is also automatically moved to carry out automatic timed processes of machine.



### Dispensing nozzle and pump/valve manipulator group

Each circuit is equipped with a dispensing nozzle, from which the tinting product to fill the can is dispensed.

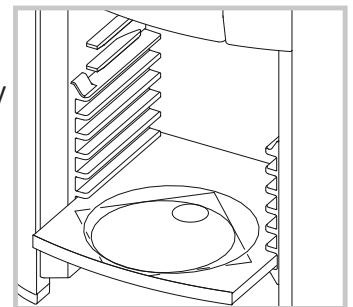
The mechanical group placed at front, in the dispensing area, operates the piston pump and opens and closes dispensing valve.



### Shelf

The can shelf allows for the correct positioning of the can under the dispensing nozzle.

The manually adjustable shelf is removable and can be positioned at the desired height by simply inserting it in the slots provided.

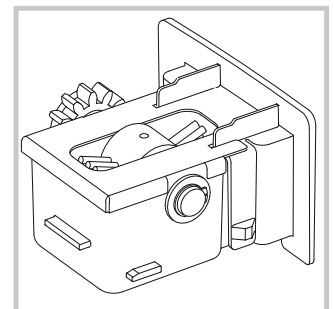


### Nozzle cleaning brush

The brush is automatically activated at each rotation of the turntable, and allows to clean the dispensing nozzle of each circuit. The brush is placed in a small container which holds the cleaning liquid.

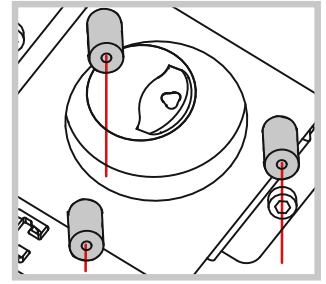
During normal machine operation the brush is in rest position. During the cleaning process, the brush rotates and the bristles wipe the nozzle of the circuit brought to the cleaning position.

Safety switch of cleaning brush unit. If the brush container is not fully inserted, table rotation is prevented.

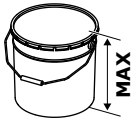
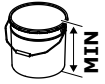

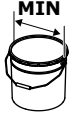
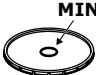



## Bung Hole Locator (B. H. L.)

This is a system that emits laser beams that allow the positioning of pre-punch cans, so that the hole is in line with the center of the dispensing nozzle.



## 2.3 Usable cans

					
380 mm (15")	140 mm (5.5")	320 mm (12.6")	70 mm (2.8")	25 mm (1")	35 kg (77 lb)

## 2.4 Intended use and reasonably foreseeable misuse

The machine is intended for professional use to dispense colorants in small, medium and large point of sales or professional paint stores.

The machine must be used only with cans within the limits set forth in chapter 2.3 (Usable cans), with the colorants specified in the table of chapter 8.1 (Technical data) and according to the procedures described in this manual.

Any use of the machine other than that stated, which cannot be implied or deduced from this manual, is to be considered improper and unintended therefore it voids any manufacturer's liability arising from non-compliance with these requirements.

## 2.5 Identifying information

The machine has an identification plate (chapter 3.4) indicating:

1. Manufacturer's name.
2. Marking.
3. Machine model.
4. Month and Year of manufacture.
5. Serial number.
6. Electrical specifications.

 *Do not remove or tamper with the identification plate in any way.*



## 3 SAFETY

---

### 3.1 Safety warnings and unauthorized use



#### COMPULSORY

- **Read the user's manual carefully before carrying out any operation on the machine.**
- The machine must be used only for its intended purpose.
- Pay close attention to the signs on the machine.
- When prescribed, wear personal protective equipment.
- Only qualified and appropriately trained personnel (MAINTENANCE TECHNICIAN) are authorized to access the machine parts protected by panels for extraordinary maintenance and repair interventions.
- Any routine maintenance intervention performed by the operator must be carried out with the machine off and the power supply cable disconnected from the mains socket outlet.
- The machine must be used by **a single operator**. Unauthorized people who could reach or touch machine parts during operation must not be admitted in the nearby area.
- The machine must be used by an operator who has attained the age of majority and is in suitable psychophysical conditions defined by an occupational physician.
- The substances that may be used on the machine -- such as colorants, paints, solvents, lubricants and cleansers -- may be hazardous to your health; handle, store and dispose of these substances in keeping with current regulations and the instructions provided with the product.



#### PROHIBITED

- The machine must not be used with cans exceeding the limits set forth in chapter 2.3 (Usable cans) and with colorants other than those specified in the technical data table.
- **THE MACHINE MUST NOT BE USED IN AREAS AT RISK FOR EXPLOSION.**
- **Do not pour highly flammable liquids in the machine; in case of use of colorants containing volatile solvents, follow specific indications of chapter 3.5 "Requirements of the installation site".**
- Avoid naked flames or material that may create sparks and cause a fire.
- It is forbidden to smoke in the machine nearby area.
- The machine must not be employed for food use.
- The OPERATOR must not carry out operations reserved to the MAINTENANCE TECHNICIAN or the INSTALLATION TECHNICIAN. The manufacturer CANNOT BE HELD RESPONSIBLE for damages deriving from the non-observance of this prohibition.
- It is strictly forbidden to use the machine without protections or with any safety devices present on the machine disabled, broken down, or removed. The panels must be kept closed at all times.
- Do not rotate turntable manually when dispenser is switched on. This may cause personal injury or damage to the machine.
- Do not stare the light source of the Laser Bung Hole Locator (Class II laser product).
- If the machine catches fire, **never use water**. Use only dry powder or carbon dioxide fire extinguishers, and strictly follow the instructions and warnings indicated by the manufacturer and listed on the extinguisher.



#### ELECTRICAL DANGER

- **ALWAYS PLUG THE MACHINE INTO A SOCKET THAT ENSURES PROPER GROUNDING.** The line must be protected from overloads, short-circuits and direct contacts according to current accident prevention regulations. Incorrect grounding may lead to the risk of electrical shock.
- The machine must not be powered by a power source having specifications other than those listed on the identification plate.
- In the event of a sudden power outage, when power returns the machine will automatically be switched on to allow the automatic processes to prevent products from drying out.

- To prevent any risk of electrical shock or injuries, use the machine indoors only. It is prohibited to use the machine outdoors where it could be subjected to rain or high humidity.
- Always unplug the power supply cable from the socket outlet before carrying out any maintenance operations.
- The machine is isolated from the power supply line when the power cable is disconnected; it must therefore be installed near an easily accessible mains socket outlet.
- Do not use extension cords to power the machine.
- Do not use multisockets to connect other equipment to the same socket that powers the machine. Make sure that the power supply of the equipment connected to the machine via serial port, like the computer, is equipotential (which has a single access point to earth) because potential differences cause interferences and/or damage to the serial ports.
- Periodically check the condition of the power supply cable; if it is damaged, replace it with a new cable supplied by the manufacturer.

### 3.2 Warnings on the use of colorants



#### **DANGER**

---


















The machine is suitable for use with tinting products in general. Scrupulously follow the instructions for use given on the colorant package and carefully read the **MATERIAL SAFETY DATA SHEETS (MSDS)** that the dealer or manufacturer of the product is required to provide.

Observe all of the safety instructions provided. When compulsory, wear the specified personal protective equipment.

Below are some of the most common warnings and safety precautions provided by colorant manufacturers.


1. Harmful if swallowed.
2. Avoid eye and skin contact. In case of eye and skin contact, rinse with plenty of water.
3. Keep out of the reach of children.
4. When compulsory, wear the specified personal protective equipment.
5. In case of accidental product leaks or spills, thoroughly ventilate the area and proceed as indicated in this manual and in the instructions provided with the product itself.
6. Do not dispose of colorant in the sewage system. Follow local regulations when disposing of waste.

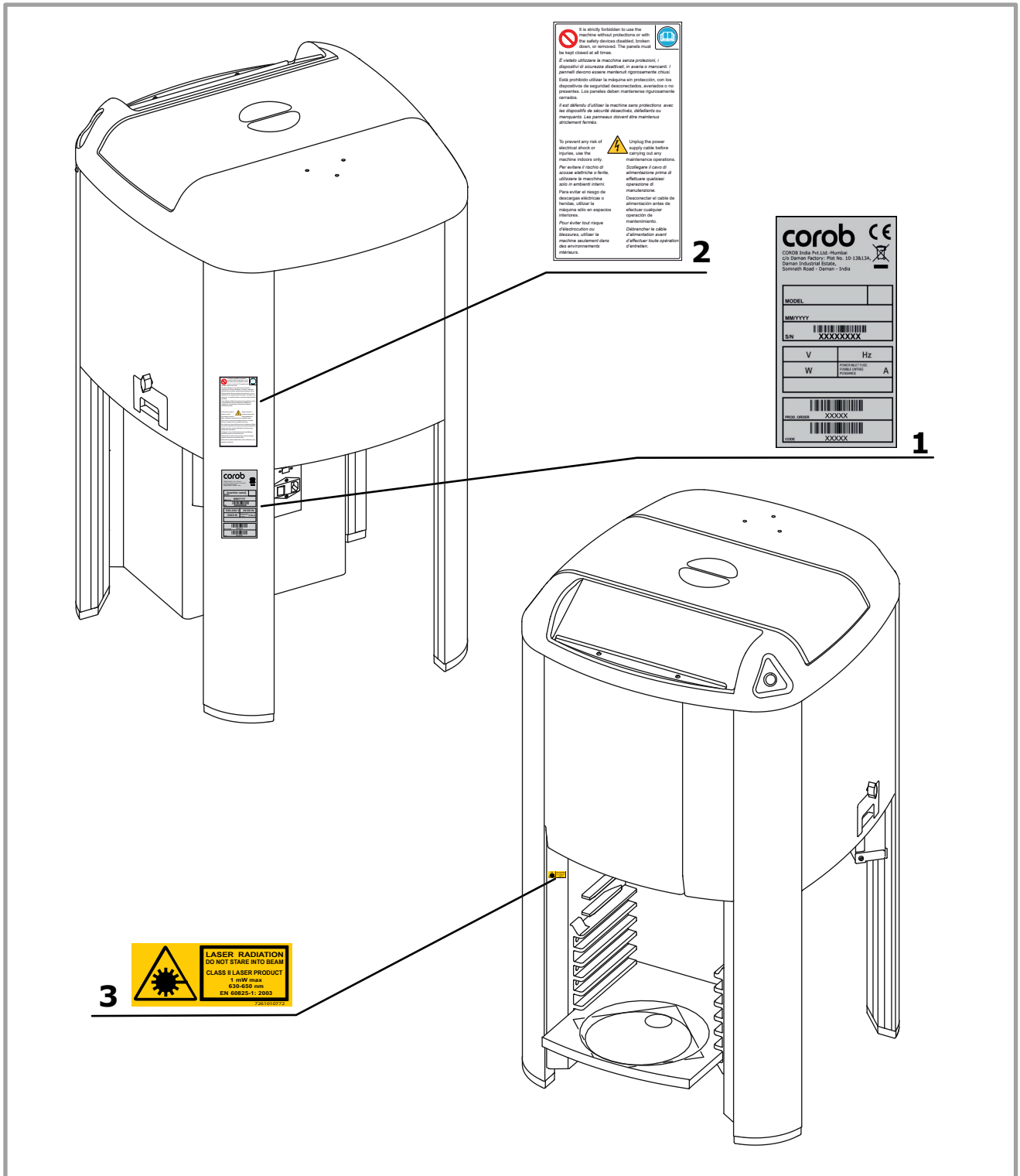
### 3.3 Residual risks

Risk	Preventive measure	P.P.E.	Re. in the manual	
	<b>Risk of electrocution</b> - Risk of electrical shock if you power the machine from a socket not equipped with ground connection.	Power the machine through a grounded socket outlet. It is recommended to earth the machine body.	\	ch. 5
	<b>Risk of electrocution</b> - Risk of electrical shock if you access machine parts protected by panels without first cutting off electrical power.	The operator is not authorized to access the machine parts protected by panels. For the maintenance technician: before performing any maintenance intervention, shut off the machine and disconnect the power supply cable from the mains socket outlet.	\	
	<b>Dorsal/lumbar injuries</b> - Handling heavy loads when moving the machine and loading cans on the shelf may cause injuries.	Do not exceed the weight limits stated by the current regulations in force (20 kg for women, 25 kg for men). If necessary, use appropriate lifting equipment.	 	ch. 4 - 6
	<b>Risk of crushing / entanglement / dragging</b> - During machine operation, the rotation of the turntable takes place automatically.	The machine must be used by a single operator. Unauthorized people who could reach or touch machine parts during operation must not be admitted in the nearby area.	 	ch. 6
	<b>Risk of falling objects / crushing</b> - When positioning a can on the shelf, there is a risk it may fall onto the operator.	Position the can so that the whole base rests on the shelf surface.	 	ch. 6
	<b>Risk of crushing / impact</b> - Placing an excessive load on the shelf or on the monitor support arm (optional) may cause the machine to lose stability.	Do not exceed the maximum load allowed. On the shelf: 35 kg (77 lb)	 	ch. 6
	<b>Risk of crushing / entanglement</b> - During colorant refilling operations, the stirrer inside the canister may automatically start rotating.	Before performing any intervention, press the off-line button.	\	ch. 6.4
	<b>Risk of slipping / falling</b> - Misuse of the shelf may cause injuries.	Do not climb onto the shelf and/or sit on it. Do not use the shelf as a ladder.	 	ch. 6.2.1
	<b>Risk of burning</b> - Setting too high time and frequency stirring values causes the canister stirring motors to get overheated.	Set a stirring time lower than 30 minutes and the interval between one stirring process and another equal to or higher than the stirring time.		ch. 6.3
	<b>Risk of poisoning and sensitization</b> - Fumes generated by the colorants used may cause poisoning and/or sensitization during canister refilling operations, machine cleaning and disposal.	Read the warnings reported in the Material Safety Data Sheets of the colorants used. The MSDS must be provided by the colorant manufacturer. Keep the room suitably ventilated.	Personal Protective Equipment as specified in MSDS.	ch. 3.2 - 4 - 6 - 7

### 3.4 Position of labels

1. Identification plate (chapter 2.5)
2. Label "General warnings"
3. Label "Laser danger"

 Do not remove or make illegible the safety or instruction labels. Replace any label which has become illegible or is missing, by requesting it to the manufacturer.



**2**

It is strictly forbidden to use the machine without protection or with the safety devices disabled, broken, blank, or removed. The panels must be kept closed at all times.

È vietato utilizzare la macchina senza protezione, i dispositivi di sicurezza disattivati, in modo o mancanti, i pannelli devono essere mantenuti rigorosamente chiusi.

Este prohibido utilizar la máquina sin protección, con los dispositivos de seguridad desactivados, ausentes o no presentados. Los paneles deben mantenerse rigorosamente cerrados.

Il est défendu d'utiliser la machine sans protection avec les capacités de sécurité désactivées, endommagées ou manquantes, les panneaux doivent être maintenus strictement fermés.

To prevent any risk of electrical shock or injuries, use the machine indoors only.

Per evitare il rischio di scosse elettriche o ferite, utilizzare la macchina solo in ambienti interni.

Para evitar el riesgo de descarga eléctrica o lesiones, utilice la máquina solamente en espacios interiores.

Pour éviter tout risque d'électrocution ou blessures, utiliser la machine uniquement dans des environnements intérieurs.


Unplug the power supply cable before carrying out any maintenance operations.

Staccare il cavo di alimentazione prima di effettuare qualsiasi operazione di manutenzione.

Desconnecter el cable de alimentación antes de efectuar cualquier operación de mantenimiento.

Déconnecter le câble d'alimentation avant d'effectuer toute opération d'entretien.

**1**

**corob** 

COROB India Pvt. Ltd. | Head Office  
 Old Daman Factor - Plot No. 10-13&13A,  
 Daman Industrial Estate,  
 Sumerath Road - Daman - India

MODEL	
MMYYYY	
S/N	XXXXXXXXXX
V	Hz
W	A
PROD. CODE	XXXXXX
CODE	XXXXXX

**3**

 **LASER RADIATION**  
 DO NOT STARE INTO BEAM  
 CLASS II LASER PRODUCT  
 1 mW max  
 630-690 nm  
 EN 60825-1: 2003  
 7201010772

### 3.5 Requirements of the installation site

Environment requirements for the site where the machine is to be used:

- Clean and dust-free.
- With level and stable floor.
- Fitted with a grounded power supply socket.
- Equipped with sufficient lighting to ensure good visibility from every point of the machine (light value not lower than 500 Lux).
- Ventilated to prevent the concentration of harmful fumes: for example, for a 3 m high, 4x4 m room (total volume of 48 m<sup>3</sup>) an air change rate (ac/h) of 3 required.
- Temperature between 10 °C (50 °F) and 40 °C (104 °F) and relative humidity between 5% and 85%, without condensation.

#### **WARNING**

The environment working conditions are strictly related to the type of colorants used (ask for information from the paint manufacturer). The requirements indicated above are valid for the machine only.

Do not place the machine near heat sources or in direct sunlight. Also humidity sources should be avoided. The machine must be used indoors only.

Environment conditions outside the values indicated (chapter 8.1) may cause serious damage to the machine, especially the electronic equipment.

#### **DANGER**

When using **colorants containing volatile solvents**, the room in which the machine is installed must be spacious and with good ventilation: for example, for a 3 m high, 4x4 m room (total volume of 48 m<sup>3</sup>) an air change rate (ac/h) of 3 required. No type of parts must be leant against or stocked close to the machine.

Avoid naked flames or materials that may create spark and cause a fire

It is forbidden to smoke in the machine nearby area.

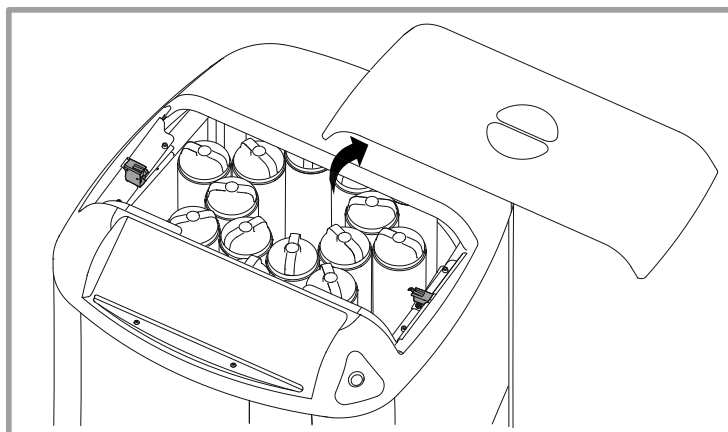
### 3.6 Safety devices

When top cover is lifted, the safety switches are activated. The machine commands are interrupted. The ON lamp blinks fast to indicate the machine is switched ON (Refer to the table).

#### **DANGER**

In the event of breakdown of the safety device, it is forbidden to use the component not provided by manufacturer. In case of need, contact only service organization authorized by manufacturer.

Top cover	Status of the ON lamp	Machine condition	Meaning
Placed	ON	On-line	The machine is ON and ready to receive commands coming from the computer.
Removed	Blinking fast	Off-line	The machine operates in a restricted mode. Certain functions like dispensing, timed processes etc. are disabled for safety reasons. However, service functions are enabled for a service engineer to diagnose the machine.



## 4 SHIPPING AND HANDLING

### 4.1 General warnings

Personnel in charge of these operations must wear the following personal protective equipment.



#### DANGER

To avoid personal injuries and property damage, use the utmost care and caution when handling the machine, and carefully follow the instructions given in this chapter.



#### WARNING

The packing must be handled only by qualified personnel using appropriate handling equipment. Do not stack items on the packing.



*If the machine is installed near a wall, keep it at least 10 cm (4") away to prevent the cables from being crushed.*

### 4.2 Unpacking and placement

			1x13-14 mm 1x8 mm 1x5 mm	To remove the screws that secure the machine to the pallet.  To remove the turntable lock hardware.
--	--	--	--------------------------------	---



#### DANGER

The following procedure must be carried out by at least 2 people.

Store the packing material for future use, or dispose of it according to current regulations. In any case, we recommend that you keep it for the entire duration of the machine warranty.

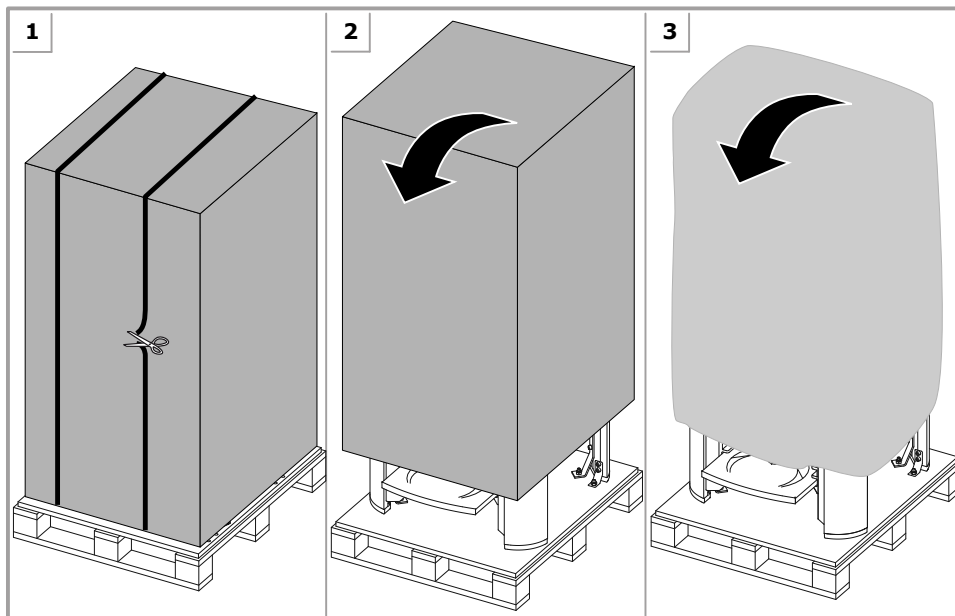
**Make sure the packing has not suffered any damage or tampering during shipping; if so, contact the authorized technical service or your dealer.**

1. Cut the straps wrapped around the packing.
2. Remove the covering from the pallet.
3. Remove machine wrapping. Take out any accessories and/or material supplied with the machine.

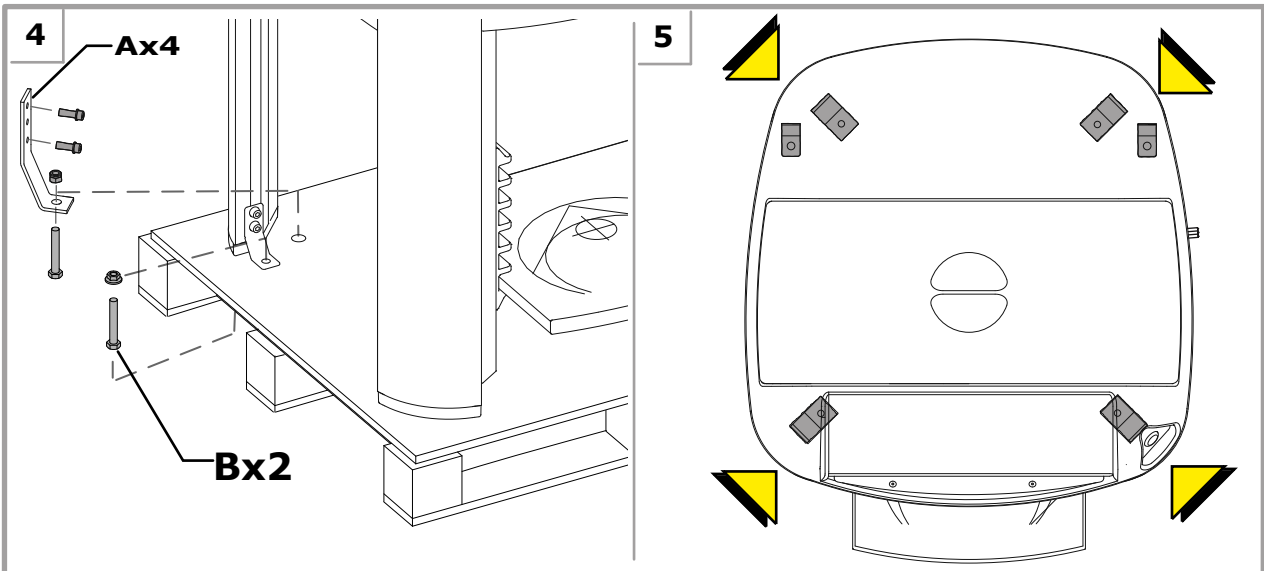


#### DANGER

Should the machine appear damaged during shipping, do not attempt to start it and contact the authorized technical service or dealer.



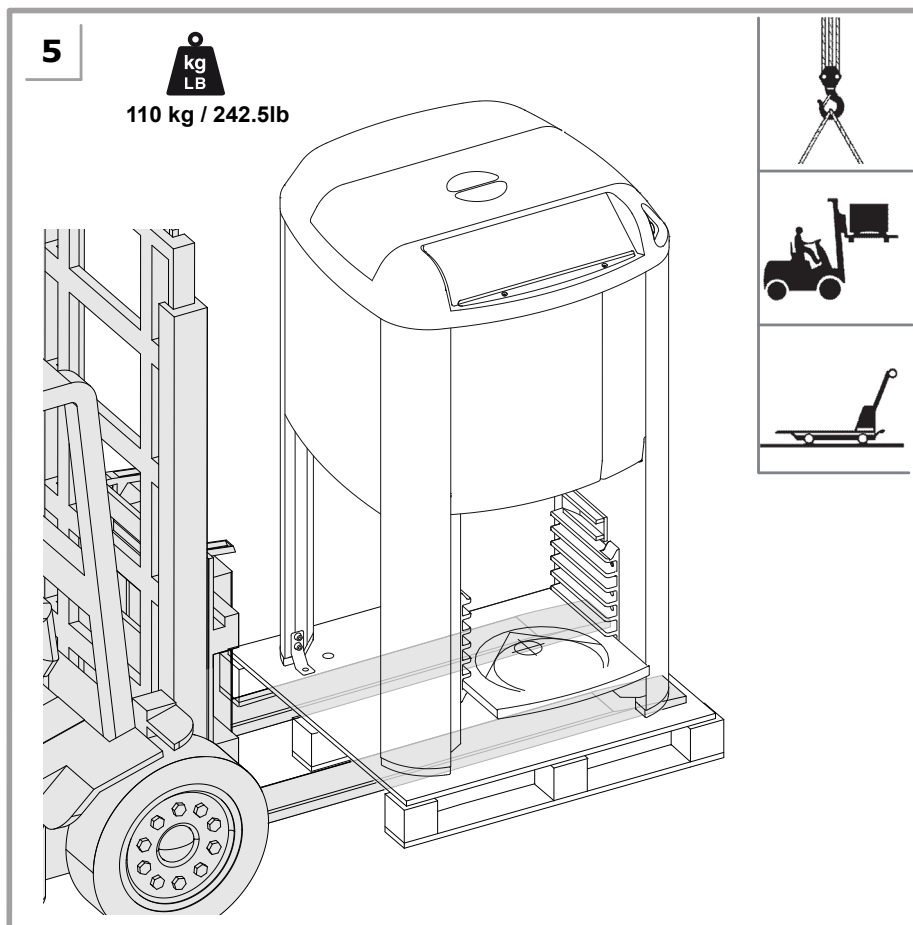
4. Remove the four brackets **A** and two screws **B** that hold the machine to the base of the pallet.



**WARNING**

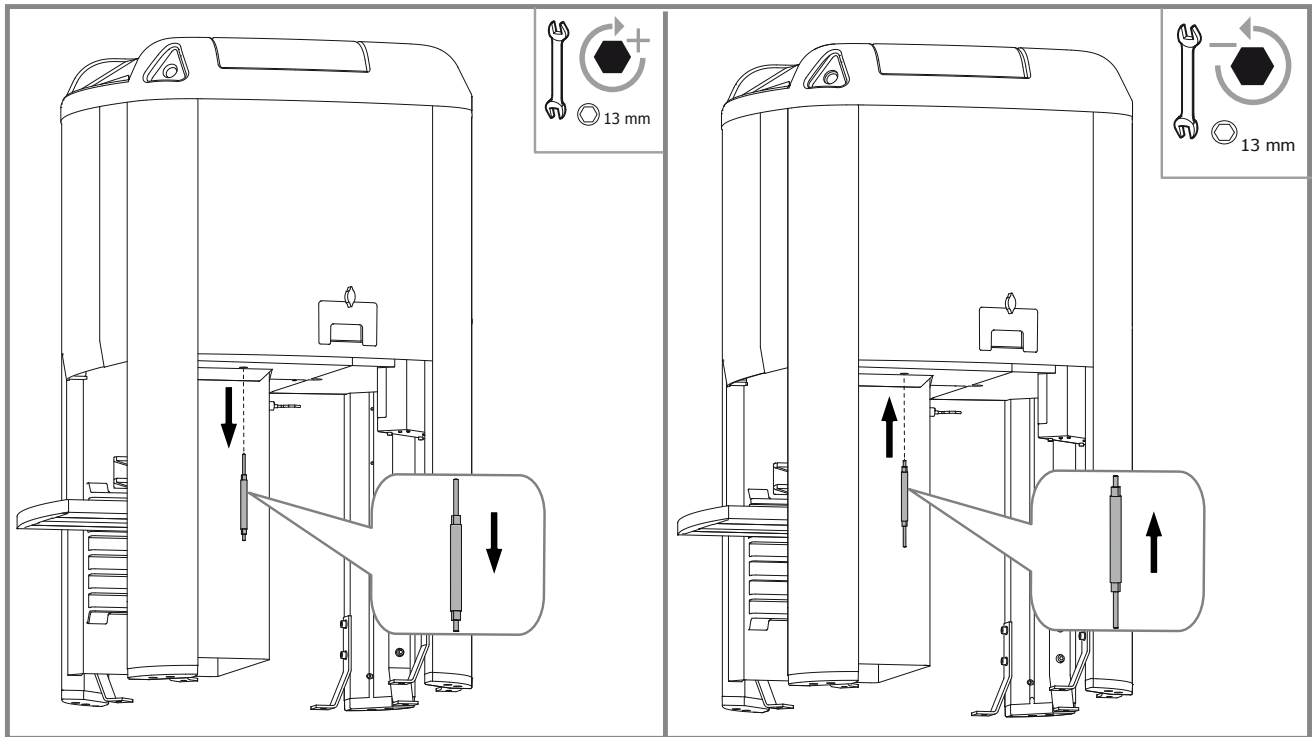
To lift and position the machine, you must use suitable lifting means only, that must be chosen based on machine weight (chapter 8).

5. Remove the machine from the pallet using a suitable lifting equipment and place the machine in its working position.
6. Insert the shelf on the machine.



To repack the machine, follow the unpacking instructions in reverse order. We recommend reusing the original packing any time the machine must be moved or shipped.

#### 4.2.1 Removing turntable lock hardware



#### **WARNING**

Do not operate the machine without first removing the hardware that holds the turntable. Risk of damage to the machine.

1. With the spanner (size 13 mm), remove the turntable locking hardware from bottom side of the machine.
2. Reverse the direction of turntable locking hardware and then reassemble with the spanner from bottom side of machine (Make sure that the small portion of locking hardware fixed to the machine).



#### **4.2.2 Standard material supplied**

After unpacking the machine, make sure the following items are present:

1. Power supply cable.
2. USB cable.
3. Equipment software tools standard CD.
4. Labels.
5. User's manual and product documentation.
6. Spare parts.

Depending on the options specified on the purchase order, you may also find:

- Management software.
- Any accessories to be installed on the machine.

Make sure that all of the above items are included in the packing; if not, contact the manufacturer.

#### **4.3 Storage**

If stored, the machine must be kept in a safe and protected environment, with a suitable temperature and humidity degree and protected from dust.

## 5 START-UP

---

### 5.1 General warnings

Personnel in charge of these operations must wear the following personal protective equipment.



#### **DANGER**

---

**THIS EQUIPMENT MUST BE GROUNDED. Check the grounding of the power supply system before connecting the machine.**

Do not use extension cords to power the machine.

The computer and any other devices connected to the machine via a serial line or connected to the computer itself must be powered by an equipotential power supply network.

Do not use multisockets to connect other equipment to the same socket that powers the machine.

---



#### **WARNING**

---

Do not attempt to power the machine from a source having specifications other than those listed on the identification plate.

The machine is isolated from the power supply line when the power plug is disconnected; it must therefore be installed near an easily accessible mains socket outlet.

The power supply of the equipment connected to the machine via serial port, like the computer, must be equipotential (which has a single access point to earth) because potential differences cause interferences and/or damage to the serial ports.

---

### 5.2 Management computer

The dispenser is managed by the computer. The manufacturer can also supply a wide range of software applications to manage all of the machine's functions.

If the machine is supplied with the option COROB Connect, it will be possible to drive it through the use of an Android or Windows Tablet device, with its corresponding dispensing software.

The complete installation of the machine, including computer connection, management software installation and system configuration, must be carried out by a specialized maintenance technician.

## 5.3 Control devices and connections

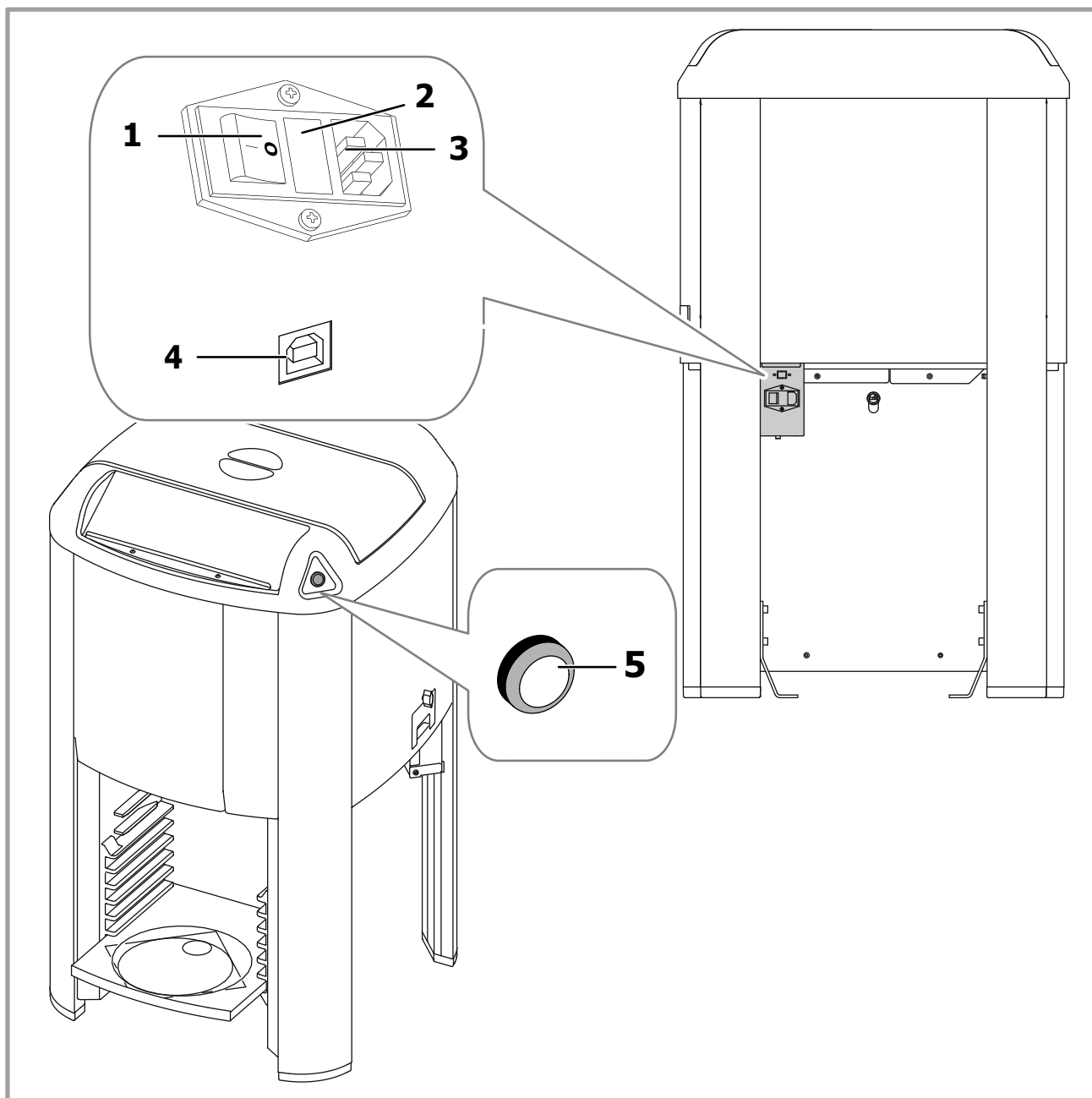
**Machine main switch (1)**

**Fuse compartment (2)** - The value of fuses is shown in the technical specifications table (chapter 8.1).

**Main plug (3)**


**USB serial port (4)** - For the connection to the management computer.

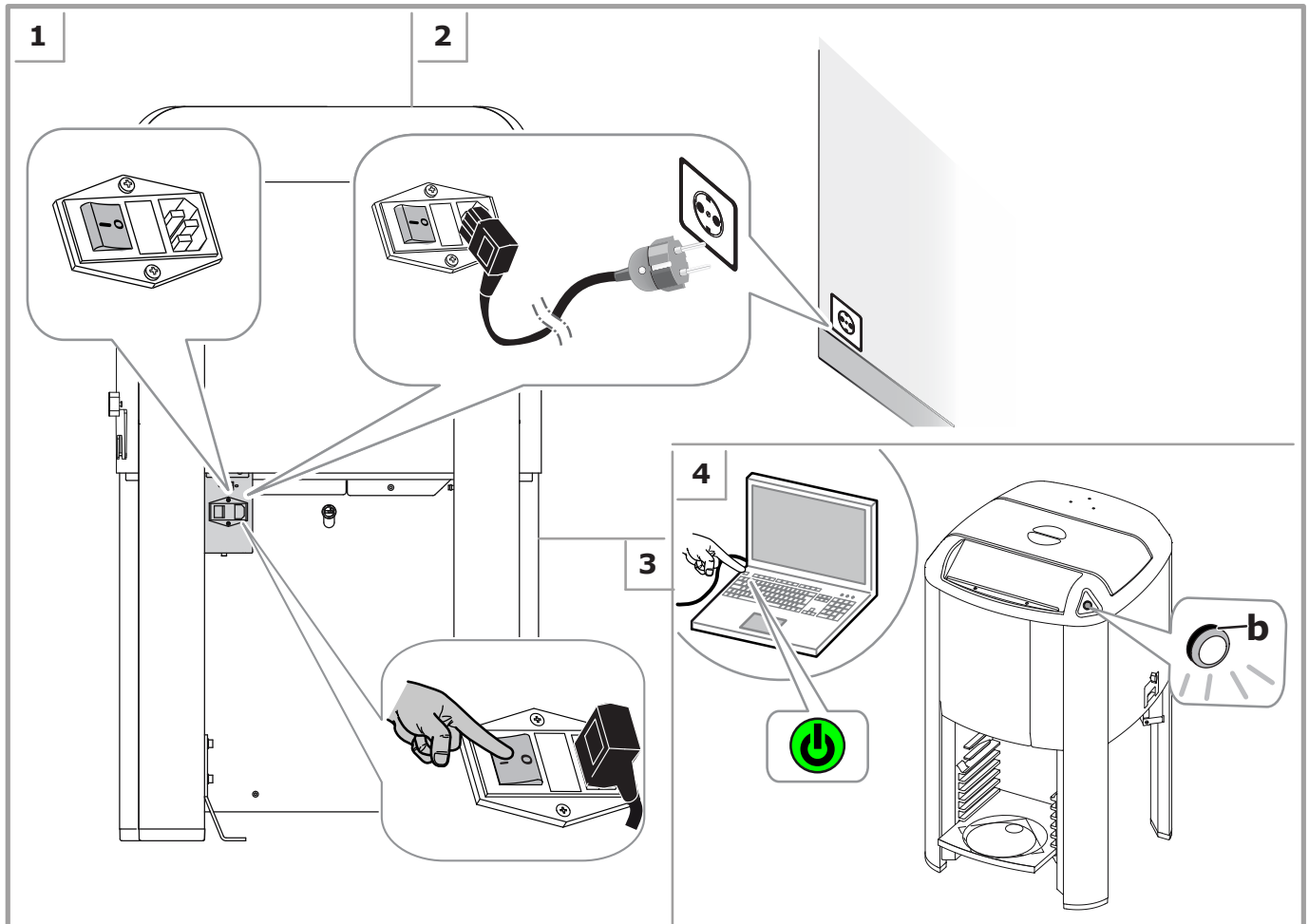
**Off-line button with ON lamp (5)** - To interrupt machine functions, without shutting it off.



## 5.4 Electrical connection and start-up


After turning on the computer, at system start-up, the ON lamp comes on.

 When the software is launched it offers the operator a series of procedure requests, including initialization (chapter 5.5). This operation is strictly related to the type of management software used.



## 5.5 Initialization

**INITIALIZATION** is a preparatory phase that has to be carried out when the machine is turned on.

 If initialization, even if required when the software is started, is not carried out, the machine gets automatically ready for use before executing any commands.

Afterwards, the timed process of colorant stirring is started.



### **DANGER**

At machine start-up, the initialization command might cause the turntable to be automatically moved, with the purpose to bring the first configured circuit to a known position.

## 5.6 Use of the off-line button

When the off-line button is pressed, all functions of the machine are interrupted. The ON lamp blinks fast to indicate that the machine is switched on but with the functions blocked. In these conditions, any commands coming from the computer are refused.

After interrupting the machine functions, it will be possible to carry out canister refilling. The status of the ON lamp highlights the condition in which the machine is:

Status of the ON lamp	Machine condition	Meaning
OFF	Off	The machine is OFF.
ON	On-line	The machine is ON and ready to receive commands coming from the computer.
Blinking fast	Off-line	Machine functions are interrupted and the commands coming from the computer are refused.



### WARNING

Pressing the off-line button while a formula is being dispensed will cause dispensing to be interrupted.

The interrupted formula recovery function, i.e. the ability to resume dispensing the quantity necessary to complete the formula, is enabled only if the dispensing program supports this function.

## 5.7 Shut-down



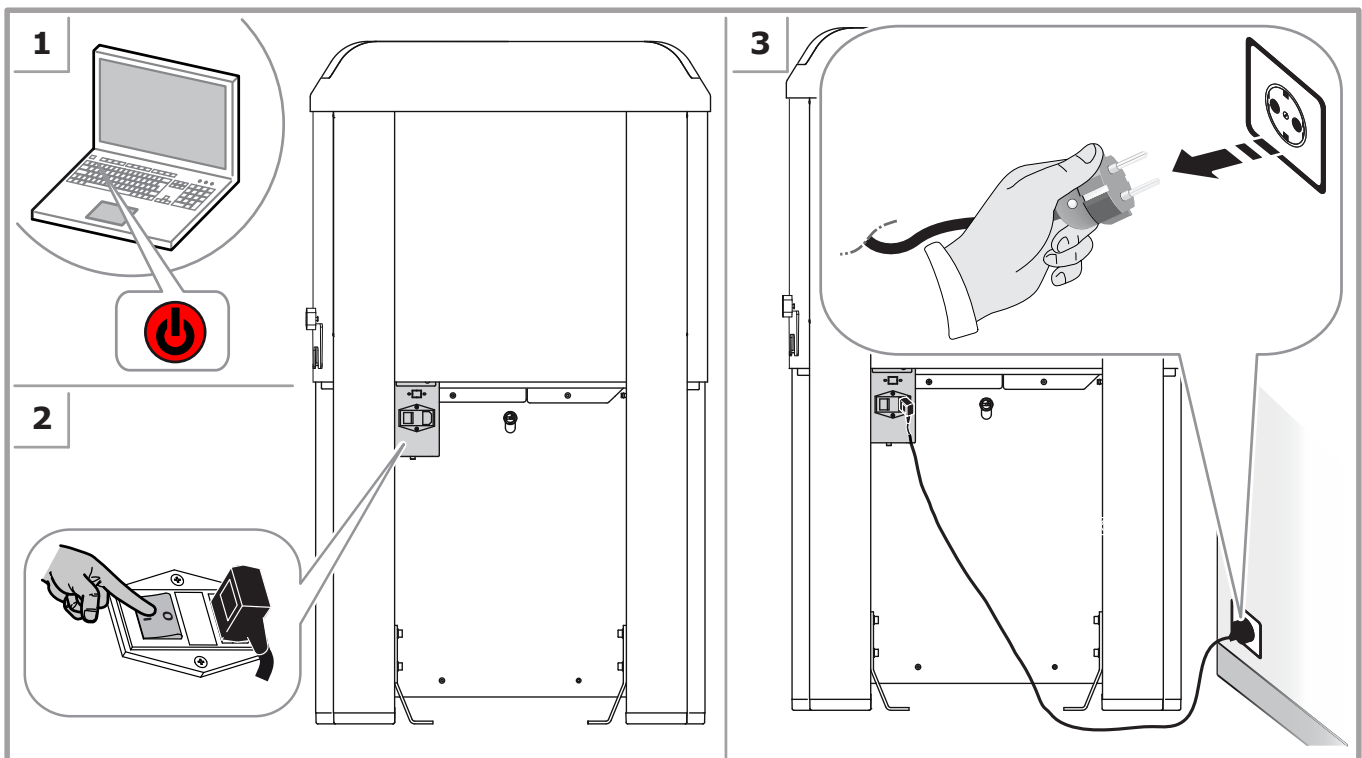
### WARNING

**WE RECOMMEND THAT YOU NEVER SHUT DOWN THE MACHINE**, even when closed for business, because the automatic, timed functions help keep the colorant preserved and homogeneous.

Should it be essential to shut down the machine, avoid keeping it off for extended periods of time. When the machine is not being used, if necessary shut off only the computer.



*Very little power is used by the machine itself when inactive or during a stirring cycle.*



## 6 USING THE DISPENSER

---

### 6.1 General warnings

Personnel in charge of these operations must wear the following personal protective equipment.



#### **DANGER**

---

The machine must be used by a single operator. Unauthorized people who could reach or touch machine parts during operation must not be admitted in the nearby area.

It is strictly forbidden to use the machine without protections or with any safety devices present on the machine disabled, broken down, or removed. The panels must be kept closed at all times.

Do not, for any reason, place your hands in the dispensing area when running the machine, except for loading and unloading the cans.

When handling cans, do not exceed the weight limits stated by the current regulations in force (kg 20 for women, kg 25 for men).

---

### 6.2 At the beginning of the working day

At the beginning of each work shift, always carry out the following operations:

- Check that the dispensing circuits and the machine in general are clean.
- Check all valves are in closed condition as identified by the sticker.
- Check the conditions of the cleaning brush unit; if necessary, clean and fill the brush container using only appropriate liquid (the choice of the liquid depends on the nature of the colorants and must be done directly by the manufacturer of the products used).
- Carry out system Purge.

### 6.3 Running the machine

The operator is guided in running the machine by the management software, which displays the instructions to be carried out and the actions performed by the machine.

Steps	Re.
<b>Make the selections from the management software (selection of the product, formula and can size).</b>	
<b>Position the manually adjustable shelf.</b>	Chap. 6.3.1
<b>Place the can on the shelf and adjust its position with respect to the dispensing center.</b>	Chap. 6.3.2
<b>Via the software, enter the formula dispensing command.</b>	Chap. 6.3.4
<b>When dispensing is finished, remove the can and proceed with another dispensing process.</b>	

---

#### 6.3.1 Adjusting the can shelf height

Insert the manually adjustable shelf in the slots provided, based on the size of the can to be used.

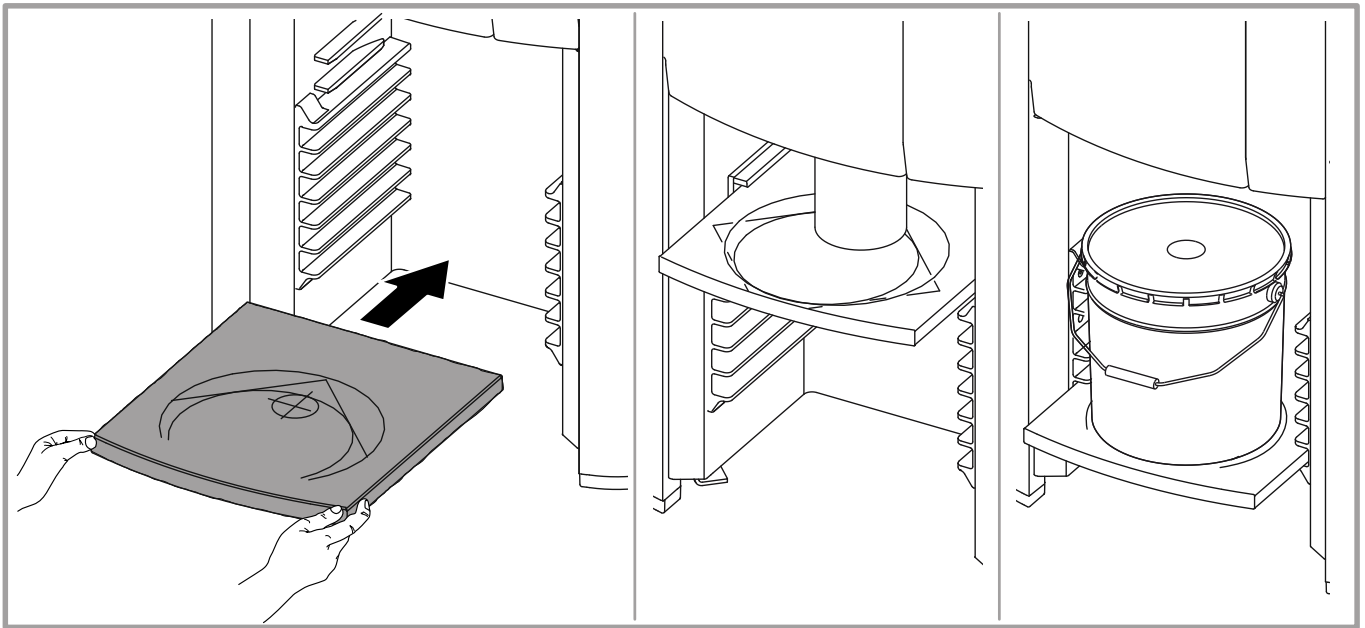


#### **DANGER**

---

Do not load on the shelf cans weighing more than 35 kg (77 lb). Do not climb onto the shelf and/or sit on it. Do not use the shelf as a ladder.

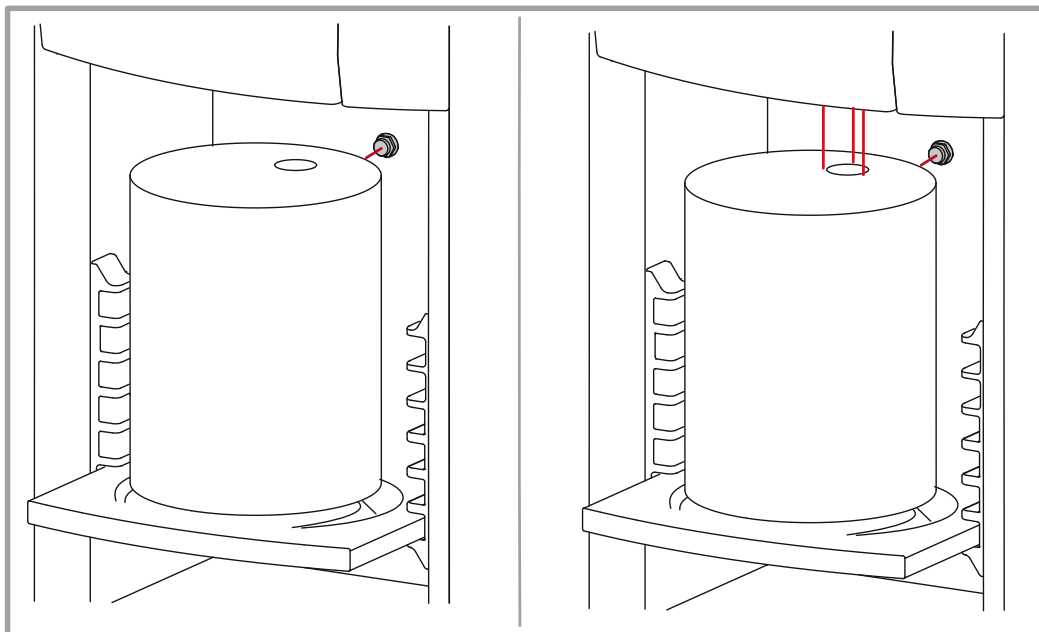
---



### 6.3.2 Loading the can

Place the can on the shelf.

(If the optional photocell is present) Position the can so that the hole on the can lid is well centered under the dispensing nozzle.



### 6.3.3 Use of the Bung Hole Locator

After having loaded the can, the laser beams will switch on.

Position the can in such a way that the hole on the lid is in the center of the laser beams

### 6.3.4 Dispensing

When the dispensing command is entered, the turntable automatically starts rotating to bring to the front, one after another, the circuits involved, and dispense the products included in the formula in the set amounts.

If the function is configured, at the beginning / end of each dispensing operation, the circuit gets cleaned: it is brought above the cleaning brush and the process is started.

The cleaning brush is activated in order to allow the nozzles to be cleaned by gliding over the brush when the turntable rotates.

## 6.4 Automatic processes

**Stirring** is a timed process, activated automatically to properly store the product in the canisters and keep it in ideal, homogeneous conditions for dispensing, through the movement of stirring paddles inside canisters.

The duration and the interval between one stirring cycle and another can be customized via the configuration software, based on the nature of the products used on the machine.

The **Recirculation** process is similar to the dispensing process, but without the colorant coming out of the nozzle, that is to say with the valve closed. The process moves the colorant through some parts of the dispensing circuit, avoiding pigment sedimentation.



### **DANGER**

---

Do not set a stirring time higher than 30 minutes and an interval between one stirring process and another lower than the stirring time.

---



*We recommend to keep the canisters closed with their corresponding lids; do not insert hands in the canister even when no colorant is present.*

**Cleaning** of the dispensing nozzles is a process that allows to wipe with a brush the nozzle of each circuit. The brush is activated and the turntable rotates so as to leave the nozzle of circuit at a time on the brush for few seconds.

If configured, the machine can carry out automatic timed cleaning of nozzles of all circuits.

After each dispensing, the cleaning process of the circuit involved in dispensing starts.

When automatic process is in progress, the machine can still be used; the process will be suspended and restarted after a few seconds that the machine is inactive.

## 6.5 Refilling the canisters

The colorant refilling procedure must be carried out using the function provided in the dispensing software.

1. Select the canister filling option in the dispenser software. The selected canister is brought to the filling position.
2. Open the cover in the dispenser upper part.
3. Remove the lid of the canister to be filled.



*Shake the container of colorant to be poured into the canister manually. Do not use automatic shakers.*

4. Add the desired colorant to the canister, by pouring it so as to avoid spattering or creating air emulsions in the colorant.



### **WARNING**

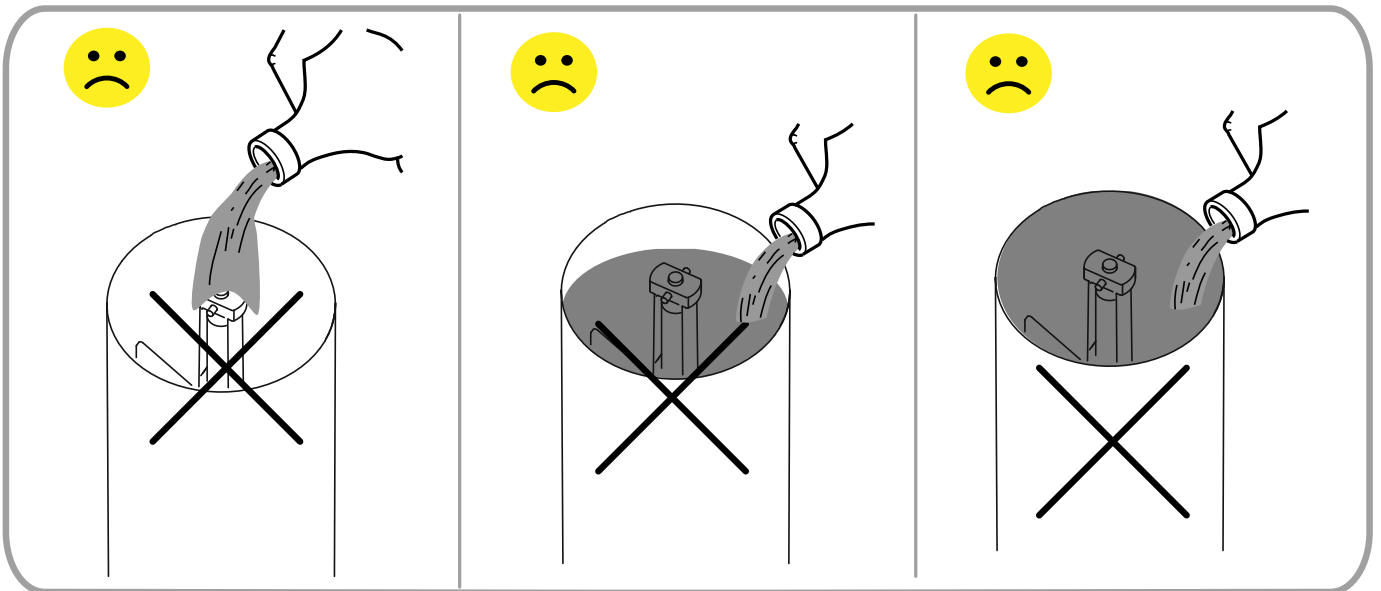
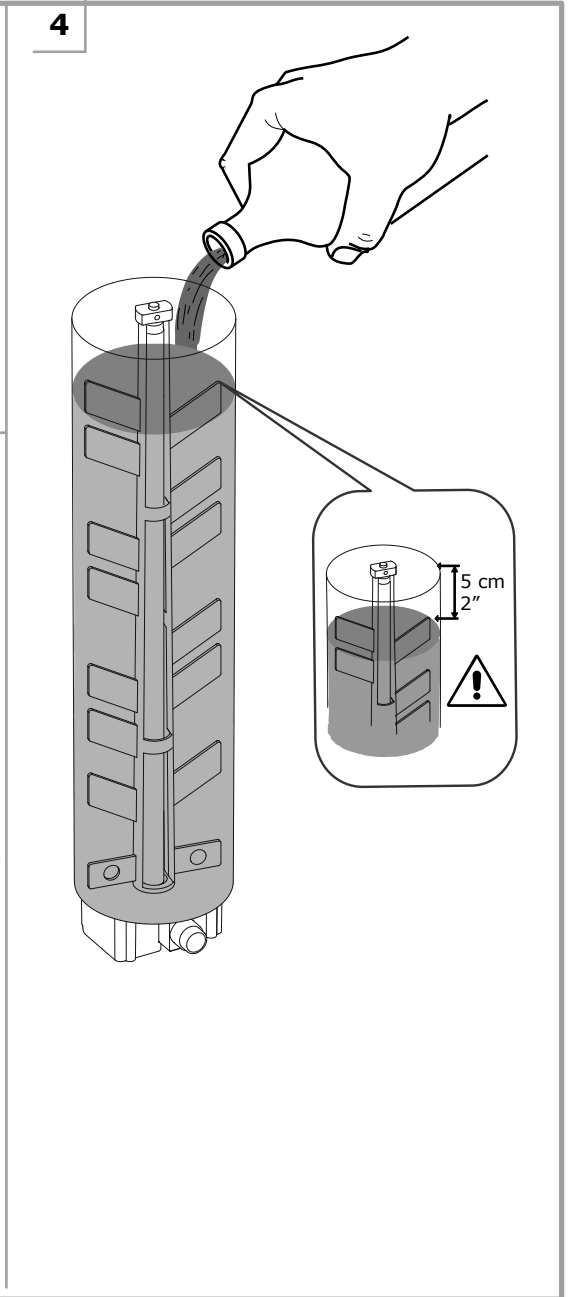
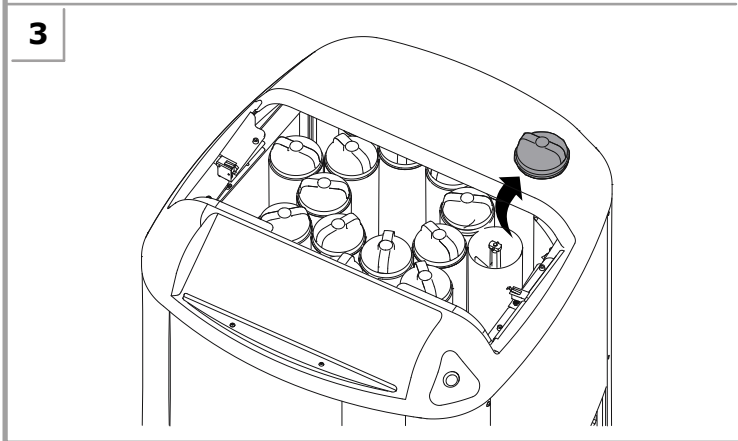
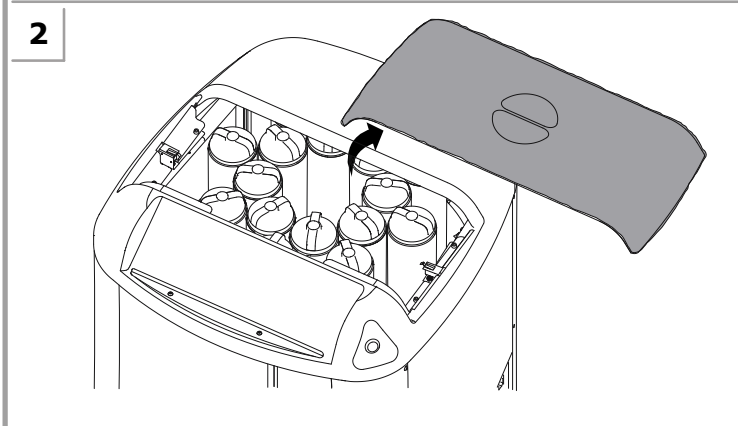
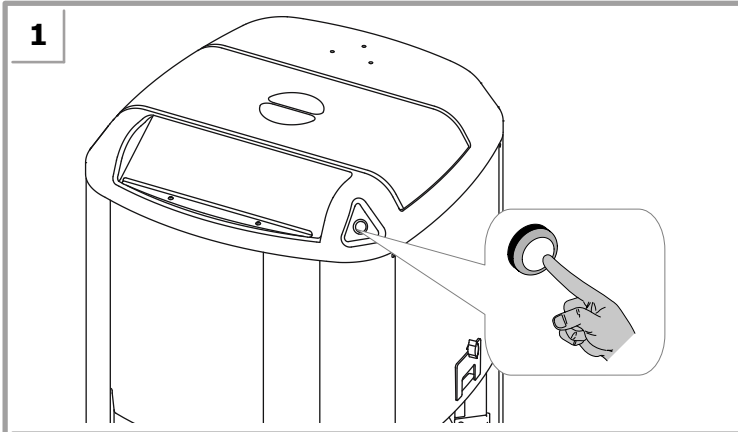
---

The colorant level **MUST NOT** exceed the maximum level, placed at 5 cm (2") from the upper edge of the canister. Colorant spills cause the circuit pumping unit to be blocked.

---

5. Close the canister with its corresponding lid.
6. Repeat the above steps to fill other canisters.







## WARNING

In case of improper actions, which caused canister overfilling with colorant:

- In case the colorant has poured inside the machine, do not try to clean; turn the machine off at once and contact an authorized service center.
- If, on the contrary, the product has already poured out of the canister, it is necessary to shut off the machine immediately and clean with paper or a moistened cloth. Whenever possible, leave the colorant to dry itself and remove with a spatula.
- If the product has not yet come out of the canister borders, it is necessary to avoid closing the canister with its lid and provide immediately to dispense the exceeding colorant until the correct level is reached. Clean carefully the upper border of the canister with paper or a moistened cloth before closing it with the lid.

**NEVER USE WATER OR SOLVENT-BASED CLEANING PRODUCTS TO CLEAN THE MACHINE.**

**USING AGGRESSIVE CLEANING LIQUIDS CAN DAMAGE COMPONENTS AND EXTERNAL PANELS PAINT COATING.**



## DANGER

When using colorants containing volatile solvents the canister top up must be carried out opening one canister at the time.

Avoid naked flames or material that may create sparks and cause a fire



## WARNING

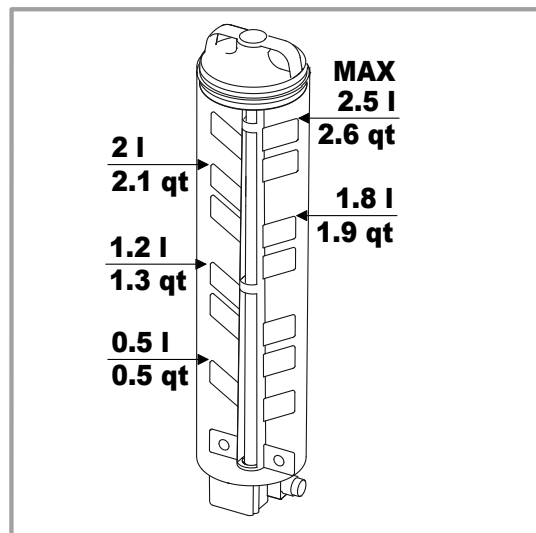
Failure to update the colorant levels in the canisters may compromise the accuracy of the hue produced or, worse yet, lead to emptying the machine canisters and circuits.



*We recommend that you keep the canisters full at all times by topping up frequently.*

After topping up the colorant, it is advisable to carry out the stirring process using the functions provided in the management software, to eliminate any air that may be emulsified and incorporated into the colorant.

Here below you will find a reference diagram to perform canister filling.



## 6.6 Troubleshooting

Problem	Cause	Solution
The machine does not turn on.	Power supply is missing.	Check the connections at the back of the machine (chapter 5.4).
	Main switch in OFF position (O).	Set the main switch to the ON position (I) (chapter 5.4).
	One or more fuses may be blown up.	Replace any blown fuse inside the fuse compartment (chapter 5.3).
	The power supply unit is in over current.	Wait a few minutes and try to restart the machine. If the problem persists, contact the authorized technical service.
	Electrical connections are defective.	Contact the authorized technical service.
The management software shows an error in the communication protocol.	Machine is OFF.	Turn the machine on (chapter 5.4) and restart the management software.
	Machine disconnected from the computer.	Check the connections at the back of the machine (chapter 5.4).
	Computer serial port or USB port wrongly configured or defective.	Use the configuration and calibration software to make sure you have correctly configured the port used to communicate with the machine.
		Repair the computer serial port or USB port.
	Serial cable damaged.	Replace the communication cable using manufacturer's original spare parts.
Connection defective.	Contact the authorized technical service.	
The ON lamp blinks fast and the machine refuses the commands.	The off-line button is pressed.	Push the off-line button to bring the machine back to the on-line condition (chapter 5.6).
	The upper cover is not closed correctly.	Close the upper cover so that safety switch is activated.
Turntable does not rotate	The turntable lock hardware was not removed at time of installation	Remove the lock hardware (chapter 4.2.1)
	The upper cover is not closed correctly.	Close the upper cover so that the safety switch is activated.
	The off-line button is pressed.	Push the off-line button to bring the machine back to the on-line condition (chapter 5.6).
The machine does not execute timed processes (stirring, recirculation, cleaning).	The upper cover is not closed correctly.	Close the upper cover so that safety switch is activated.
	The off-line button is pressed.	Push the off-line button to bring the machine back to the on-line condition (chapter 5.6).
	The cleaning container unit may not be inserted correctly in place	Insert the cleaning unit properly so that safety switch is activated.
Inaccurate color mix	Incorrect base paint selected or formulation error in dispensing software.	Check the can chosen and the selections made in the program.
	Low colorant level in canister causing air to enter pump assembly.	Fill canister with colorant and perform morning purge function to remove air from pump.
	The cleaning brush unit is dirty or not working well.	Check the condition of the cleaning brush unit and perform maintenance (chapter 7.5).
Dripping	Valve open or Valve leak	Close the valve (EVOservice -->Communication -->Service functions--> Nozzle valve--> Close) or perform Reset action on that circuit valve or replace the pump.

## 7 ORDINARY MAINTENANCE

### 7.1 General warnings

Personnel in charge of these operations must wear the following personal protective equipment.



#### DANGER

Before carrying out any maintenance operations, you must turn off the machine and unplug the power supply cable from the mains socket outlet.

During machine maintenance operations there is a high risk of contact with the coloring product; strictly follow the indications of chapter 3.2.

### 7.2 Maintenance table



#### WARNING

The frequencies indicated are approximate, since they depend on the type of colorants, environment conditions and frequency of use of the machine.

Operations	Frequency	
	Beginning of shift	When necessary
Initialize and purge machine	✓	
Refill the cleaning brush liquid	✓	
Clean the dispenser externally		✓
Clean the dispensing nozzles	✓	

### 7.3 Products to be used

We recommend to use products compatible with the type of colorants in the machine when cleaning the nozzle center and moistening the humidifier cap sponge.

Type of colorant	Suggested product
Solvent-based colorants	Slow-evaporating solvent, compatible with the colorants used
Water-based colorants	Water
Mixed systems	The choice depends on the type of vehicles used to produce the colorants; for more information, contact the dealer or colorant manufacturer.

Should growths form, it is advisable to use the following fluids:

- Propylene glycol solution, 50% by volume, in water;
- AgCl solution in water;
- Bleach (dilution 1%).

### 7.4 External cleaning



#### WARNING

**NEVER USE WATER OR SOLVENT-BASED CLEANING PRODUCTS TO CLEAN THE MACHINE.**

**USING AGGRESSIVE CLEANING LIQUIDS CAN DAMAGE COMPONENTS AND EXTERNAL PANELS PAINT COATING.**

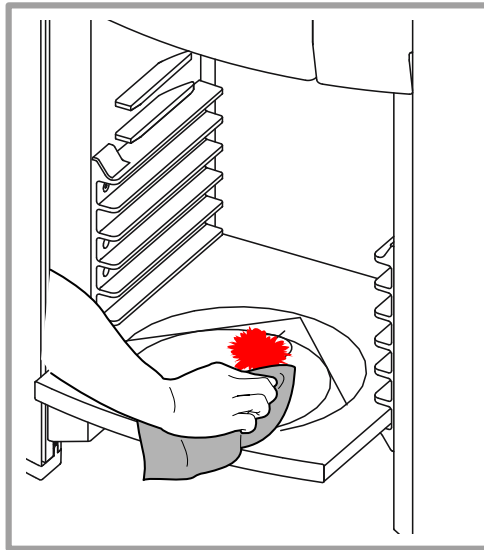
In case the colorant has poured inside the machine, do not try to clean; turn the machine off at once and contact an authorized service center.

In case of paint spills, clean the machine immediately.

1. Disconnect power supply (chapter 5.7).
2. Clean coverings, panels and control devices of the machine, to remove dirt, dust and any colorant stains, using a soft and dry cloth, or slightly moistened with a mild cleansing solution.

3. Connect power supply and switch on the machine (chapter 5.4).

See the manufacturer manual for instructions on cleaning the computer.



## 7.5 Refilling the liquid of the cleaning brush

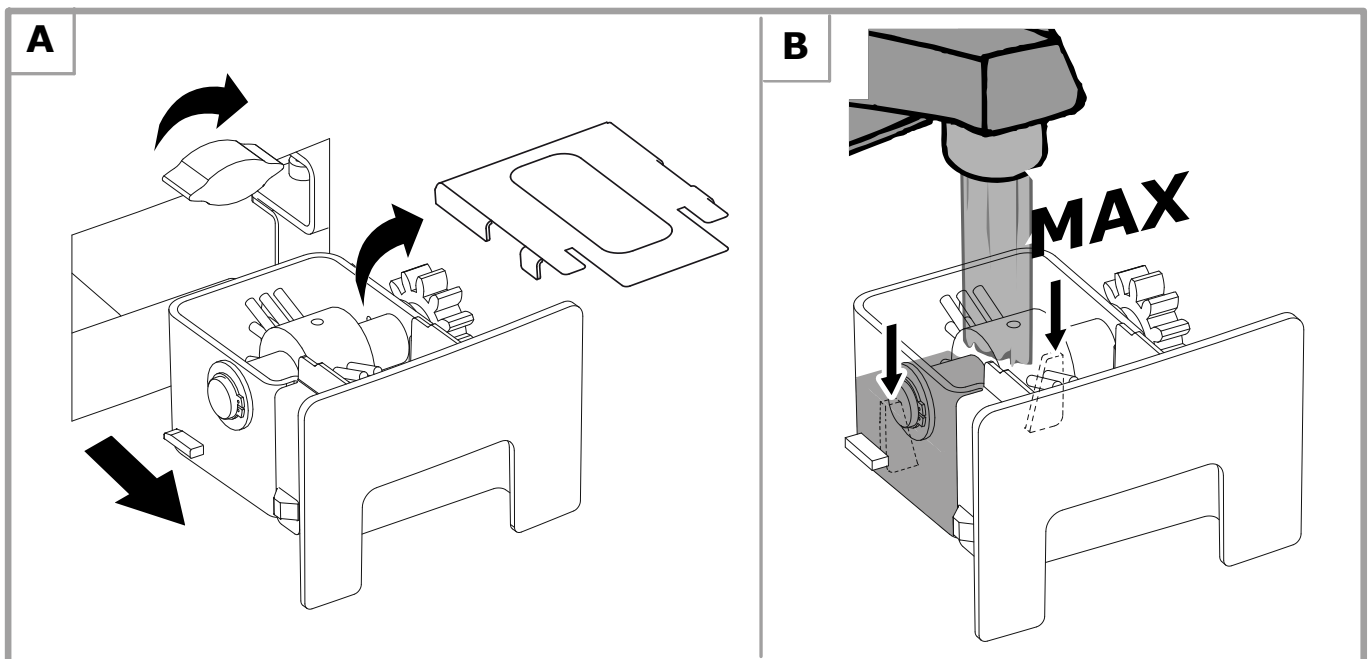
The quantity of cleaning liquid used depends on the frequency of usage of the machine and the type of liquid chosen.



Only use cleaning fluids that have been recommended by the colorant manufacturer.


When the cleaning liquid in the brush container reaches the minimum level, fill up immediately.

1. Disconnect power supply (chapter 5.7).
2. Turn the knob horizontal position and remove the cleaning brush unit from machine.
3. Remove the brush and clean it. Replace if necessary.
4. Remove the top cover of cleaning unit, wash the brush and container and fill it with cleaning liquid.
5. Reassemble the brush and place back the unit in the machine, turn the knob vertical position making sure to insert it firmly.
6. Connect power supply and switch on the machine (chapter 5.4).



## 8 TECHNICAL SPECIFICATIONS

### 8.1 Technical data

Power supply	Single-phase 100 - 240 V~ ± 10%	
Frequency	50/60 Hz	
Fuses <sup>(a)</sup>	T 2.5 A	
Max. Power absorbed <sup>(a)</sup>	60 W	
Noise level <sup>(b)</sup>	Level of equivalent acoustic pressure: < 70 dB (A)	
Environment working conditions <sup>(c)</sup>	Temperature: between 10°C (50°F) and 40°C (104°F) Relative humidity: between 5% and 85%, without condensation	
Vibrations	The machine does not transmit vibrations to the floor that may compromise the stability and precision of any nearby equipment.	
Canister capacity	2.5 liters (2.64 q)	
Number of canisters	16	
Dispensing technology	Piston pump	
Circuit flow rate	0.2 l/min	
Dispensing system	Sequential	
Type of valves	Ceramic valves	
Type of colorants	Decorative: water, universal	
 (d)	Machine	110 kg (242.5 lb)
	Packed machine	134 kg (295.42 lb)

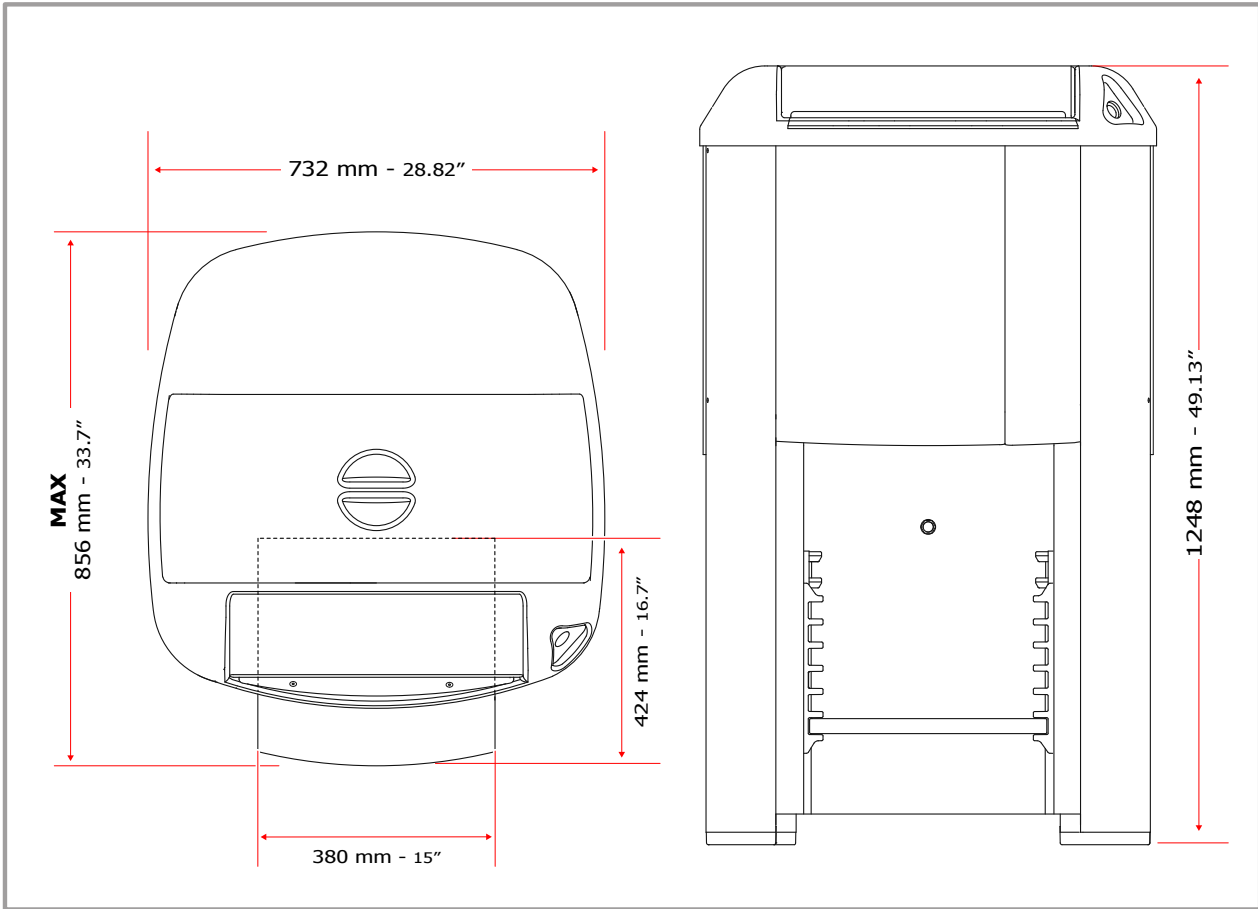
(a) The power information is purely indicative and depends strictly on the machine configuration.

(b) Value measured in laboratory and documented by the corresponding test report available at the manufacturers. Operating conditions: machine normal working cycle, under simulated load conditions.

(c) The environment working conditions are strictly related to the type of colorants used (ask for information from the paint manufacturer). The data shown are valid for the machine only.

(d) Data refer to the machine with empty canisters and without accessories.

## 8.2 Dimensions




## 8.3 Declaration of conformity

See Appendix.

## 8.4 Warranty

In order for the warranty to be valid, please complete the form included in the machine packing, and send it to the address listed on the form itself.

 *Contact our authorized and qualified personnel only for all your service needs. Use only original spare parts for all maintenance and replacement interventions.*

Altering or removing the guards and safety devices provided on the machine will not only void the warranty immediately but is also dangerous and illegal.

The manufacturer may not be held liable for personal injury or property damage caused by improper use of the equipment or tampering with the guards and safety devices installed on the machine.

The following shall **void the manufacturer's warranty**:

- Improper use of the machine.
- Failure to observe the instructions and maintenance rules set forth in the manual.
- Making or having changes and/or repairs made on the machine by personnel outside the service organization authorized by the manufacturer and/or made using non-original spare parts.

## Dichiarazione CE di Conformità EC Declaration of Conformity

Versione linguistica originale in Italiano

*Translation of the original Italian version*

DESCRIZIONE - DESCRIPTION

**DISPENSATORE AUTOMATICO  
AUTOMATIC DISPENSER**

MODELLO - MODEL

MATRICOLA - SERIAL No.

**[MACHINE NAME]**

Fabbricante - Manufacturer

**COROB India Pvt. Ltd. - Mumbai - India**

**c/o Daman Factory: Plot No. 10 - 13 & 13 A, Daman Industrial Estate, Somnath Road**

Mandatario e persona autorizzata a costituire il fascicolo tecnico:

*Authorised representative and person authorised to compile the technical file:*

**COROB S.p.A. - Via Agricoltura, 103 - 41038 San Felice s/P (MO) - Italy**

Il fabbricante dichiara sotto la propria esclusiva responsabilità che la macchina alla quale questa dichiarazione si riferisce è conforme ai requisiti essenziali previsti dalle seguenti direttive:

*The manufacturer certifies, under its own responsibility, that the machine to which this statement refers to, complies with the essential requirements foreseen by the regulations:*

- Direttiva Macchine 2006/42/CE
- Direttiva Compatibilità Elettromagnetica 2014/30/EU
- Direttiva 2011/65/EU come modificata da 2015/863/EU
- Direttiva WEEE 2012/19/EU
- Direttiva 2014/53/EU

- Machinery Directive 2006/42/EC
- Electromagnetic Compatibility Directive 2014/30/EU
- Directive 2011/65/EU as amended by 2015/863/EU
- WEEE Directive 2012/19/EU
- Directive 2014/53/EU

Si garantisce poi che la progettazione della macchina e la relativa produzione è effettuata, e documentata, seguendo precise procedure aziendali conformi con la norma EN ISO 9001:2015 inerente i sistemi di gestione qualità.

*It is furthermore guaranteed that the design of the machine and the relevant manufacturing are carried out, and supported by documents, following accurate factory procedures in accordance with the standard EN ISO 9001:2015 about quality management systems.*

Nasser Arivoli (Managing Director)  
COROB India Pvt. Ltd.  
Mumbai, 10/05/2021





<p><b>BG</b> - Производителят, който е лицето изпълнено с изготвяне на техническата документация, декларира на собствена изключителна отговорност, че машината, за която се отнася тази декларация, е в съответствие със съществуващите изисквания, предвидени от следните Директиви: Директива 2006/42/EC - Машини - Директива 2014/30/EU относно Електромагнитна съвместимост - Директива 2011/65/EU изменена с 2015/863/EU - Директива WEEE 2012/19/EU - Директива 2014/53/EU. Освен това се гарантира, че проектирането на машината и съответното производство са извършени и документирани при спазване на конкретни фирмени процедури в съответствие със стандарт EN ISO 9001:2015, отнасящ се до системите за управление на качеството.</p>
<p><b>CS</b> - Výrobce a osoba pověřená sestavením technické dokumentace stvrzují na svou vlastní zodpovědnost, že zařízení, ke kterému se toto toto prohlášení vztahuje, je v souladu se základními požadavky stanovenými následujícími směrniciemi: Směrnice o strojních zařízeních 2006/42/EC - Směrnice o elektromagnetické kompatibilitě 2014/30/EU - Směrnice 2011/65/EU ve znění 2015/863/EU - Směrnice WEEE 2012/19/EU - Směrnice 2014/53/EU. Dále se zaručuje, že stroj byl navržen a vyroben, a výroba je zdokumentována, v souladu s přesnými firmními postupy, které odpovídají normě EN ISO 9001:2015 o systémech řízení jakosti.</p>
<p><b>DA</b> - Fabrikanten og personen bemyndiget til at udarbejde den tekniske dokumentation erklærer på eget ansvar at maskinen, som denne erklæring henviser til, er i overensstemmelse med de væsentlige krav i de følgende direktiver: Maskindirektiv 2006/42/EC - Direktivet om elektromagnetisk kompatibilitet 2014/30/EU - Direktivet 2011/65/EU som ændret ved 2015/863/EU - Direktivet WEEE 2012/19/EU - Direktivet 2014/53/EU. Det garanteres desuden, at designet af maskinen og den relevante produktionsproces er udført og dokumenteret ifølge præcise fabriksprocedurer i overensstemmelse med standarden EN ISO 9001:2015 vedrørende kvalitetstyringssystemer.</p>
<p><b>DE</b> - Der Hersteller und autorisierte Verfasser der technischen Dokumentation erklärt unter eigener exklusiver Verantwortung, dass die Maschine, auf die sich diese Erklärung bezieht, den Grundanforderungen entspricht, die von den folgenden Richtlinien vorgesehen werden: Maschinenrichtlinie 2006/42/EC - Richtlinie zur elektromagnetischen Verträglichkeit 2014/30/EU - Richtlinie 2011/65/EU geändert durch 2015/863/EU - Richtlinie WEEE 2012/19/EU - Richtlinie 2014/53/EU. Darüber hinaus wird garantiert, dass die Planung der Maschine und ihre Herstellung unter Befolgung von genauen Unternehmensprozessen, die der Norm EN ISO 9001:2015 hinsichtlich der Qualitätsmanagement-Systeme entsprechen, durchgeführt und dokumentiert wird.</p>
<p><b>EL</b> - Ο κατασκευαστής, και ο εξουσιοδοτημένος συντάκτης του τεχνικού φακέλου, πιστοποιεί, ότι, με δική του υπαιτιότητα, το μηχάνημα στο οποίο αναφέρεται το παρόν, συμμορφώνεται με τις ουσιαστικές απαιτήσεις που προβλέπονται από τους κανονισμούς: Οδηγία Μηχανήματος 2006/42/EC - Οδηγία Ηλεκτρομαγνητικής Συμβατότητας 2014/30/EU - Οδηγία 2011/65/EU όπως τροποποιήθηκε από το 2015/863/EU - Οδηγία WEEE 2012/19/EU - Οδηγία 2014/53/EU. Εγγυάται περαιτέρω ότι ο σχεδιασμός του μηχανήματος και η σχετική κατασκευή του εκτελείται και υποστηρίζεται από έγγραφα, ακολουθώντας τις ακριβείς εργοστασιακές διαδικασίες σύμφωνα με το πρότυπο EN ISO 9001:2015 σχετικά με τα συστήματα διαχείρισης ποιότητας.</p>
<p><b>ES</b> - El fabricante y la persona autorizada para componer el fascículo técnico declara, bajo su propia y exclusiva responsabilidad, que la máquina a la que hace referencia esta declaración guarda conformidad con los requisitos esenciales previstos por las directivas siguientes: Directiva de máquinas 2006/42/EC - Directiva de compatibilidad electromagnética 2014/30/EU - Directiva 2011/65/EU modificada por 2015/863/EU - Directiva WEEE 2012/19/EU - Directiva 2014/53/EU. Se garantiza además que el diseño de la máquina y su producción se han efectuado y documentado de acuerdo con procedimientos de fábrica precisos conformes a la norma EN ISO 9001:2015 relativa a los sistemas de gestión de calidad.</p>
<p><b>ET</b> - Tootja ja tehnilise toimiku koostajaks volitatud isik kinnitab oma täielikul vastutusel, et seade, millele käesolev avaldus viitab, vastab järgnevat regulatsioonide põhinõudmistele: Masinadirektiiv 2006/42/EC - Elektromagnetilise ühilduvuse direktiiv 2014/30/EU - Direktiiv 2011/65/EU muudetud 2015/863/EU-ga - Direktiiv WEEE 2012/19/EU - Direktiiv 2014/53/EU. Peale selle on garanteeritud, et seadme projekteerimisel ja tootmisel on järgitud täpseid tehaseprotseduure, mis vastavad standardile EN ISO 9001:2015 kvaliteedijuhtimissüsteemide kohta, ning et seada toetab ka vastav dokumentatsioon.</p>
<p><b>FI</b> - Valmistaja ja henkilö, joka on valtuutettu laatimaan tekninen asiakirja-aineisto, vakuuttavat omalla vastuullaan, että kone, johon tämä lausunto viittaa, vastaa seuraavien direktiivien olennaisia vaatimuksia: Konedirektiivi 2006/42/EC - Sähkömagneettista yhteensopivuutta koskeva direktiivi (EMC) 2014/30/EU ja Direktiivi 2011/65/EU sellaisena kuin se on muutettuna direktiivillä 2015/863/EU - Direktiivi WEEE 2012/19/EU - Direktiivi 2014/53/EU. Lisäksi taataan, että koneen suunnittelussa ja valmistuksessa ja näiden dokumentoinnissa noudatetaan tehtaan tarkkoja menettelytapoja, jotka täyttävät laadunhallintaa koskevan EN ISO 9001:2015 -standardin vaatimukset.</p>
<p><b>FR</b> - Le fabricant, et toute personne autorisée à établir le dossier technique, déclare sous sa propre responsabilité que la machine à laquelle se rapporte cette déclaration est conforme aux exigences essentielles prévues par les directives suivantes : Directive Machines 2006/42/EC - Directive Compatibilité Électromagnétique 2014/30/EU - Directive 2011/65/EU telle que modifiée par 2015/863/EU - Directive WEEE 2012/19/EU - Directive 2014/53/EU. Le fabricant garantit également que la conception de la machine, ainsi que sa production, ont été effectuées et documentées, en suivant des procédures d'entreprise précises conformes à la norme EN ISO 9001:2015 relative aux systèmes de gestion qualité.</p>
<p><b>GA</b> - Dearbhaíonn an deánatóir, agus an duine atá údaráithe chun an comhad teicniúil a chur le chéile, ar a fhreagaracht féin go bhfuil an gceangas a mbaineann leis i gcomhréir leis na riachtanais atá leagtha amach sna treoircha seo a leanas: Treoir um Innealra 2006/42/EC - Treoir um Chomhoiriúnacht Leictreamaighnéadach 2014/30/EU - Treoir 2011/65/EU arna leasú le 2015/863/EU - Treoir WEEE 2012/19/EU - Treoir 2014/53/EU. Deimhnítear freisin go bhfuil dearadh an ghléis agus a dhéantús déanta, agus doiciméadaithe, de réir gnásnasa beachta an chomhlachta atá i gcomhréir leis an rial EN ISO 9001:2015 a bhaineann le córais bainistíochta cáilíochta.</p>
<p><b>HR</b> - Proizvođač, i osoba ovlaštena za sastavljanje tehničke dokumentacije, izjavljuju pod svojom punom odgovornošću da je stroj na koji se odnosi ova izjava sukladan bitnim zahtjevima sljedećih direktiva: Direktive o strojevima 2006/42/EC - Direktive o elektromagnetskoj kompatibilnosti 2014/30/EU - Direktive 2011/65/EU izmijenjena i dopunjena 2015/863/EU - Direktive WEEE 2012/19/EU - Direktive 2014/53/EU. Također, jamči se da su projektiranje stroja i njegova proizvodnja izvedeni i dokumentirani sljedećim precizne tvorničke procedure sukladne normi EN ISO 9001:2015 o sustavima upravljanja kvalitetom.</p>
<p><b>HU</b> - A gyártó, valamint a műszaki fűzet összeállítására felhatalmazott személy saját felelősségük tudatában kijelentik, hogy a jelen nyilatkozat tárgyát képező gép megfelel az alábbi irányelvek alapvető rendelkezéseinek: 2006/42/EC Gépek irányelve - 2014/30/EU Elektromágneses kompatibilitás irányelv - 2011/65/EU irányelv, módosítással módosított 2015/863/EU irányelv - WEEE 2012/19/EU irányelv - 2014/53/EU irányelv. A gyártó garantálja továbbá, hogy a gép tervezése, kivitelezése, valamint a folyamat dokumentálása az üzemi előírások precíz betartásával történt, a minőségkezelési rendszerekkel foglalkozó EN ISO 9001:2015 szabvánnyal összhangban.</p>
<p><b>IS</b> - Framleiðandinn, og einstaklingurinn sem hefur heimild til að taka saman tekniskjöflin, vottar, að eigin ábyrgð, að vélin sem vísað er til í þessari yfirlýsingu, sé í samræmi við þær grunnkröfur sem gert er ráð fyrir í eftirfarandi reglugerðum: Vélátiskipun 2006/42/EC - Tískipun um rafsegulsviðsamhæfi 2014/30/EU - Tískipun 2011/65/EU eins og henni var breytt með 2015/863/EU - Tískipun 2012/19/EU - Tískipun 2014/53/EU. Ennfremur er ábyrgt að hönnun vélarinnar og tengd framleiðsla fer fram, og er það skjalsett, í samræmi við nákvæmt framleiðsluferil og í samræmi við EN ISO 9001:2015 staðalinn um gæðastjórnunarkerfi.</p>
<p><b>IT</b> - Gamintojas ir asmuo įgaliotas sudaryti techninę dokumentaciją, savo atsakomybę pareiškia, kad staklės, kurioms skirta ši deklaracija, atitinka esminius šių direktyvų reikalavimus: Masinų direktyva 2006/42/EC - Elektromagnetinio suderinamumo direktyva 2014/30/EU - Direktyva 2011/65/EU su pakeitimais, padarytais 2015/863/EU - Direktyva WEEE 2012/19/EU - Direktyva 2014/53/EU. Taip pat užtikrinama ir dokumentais patvirtinama, kad staklės buvo sukurtos ir pagamintos tiksliai laikantis gamybos reikalavimų pateiktų EN ISO 9001:2015 standarte, dėl kokybės valdymo sistemos.</p>
<p><b>LV</b> - Ražotājs un persona, kas ir pilnvarota sastādīt tehnisko dokumentāciju, apliecina uz savu atbildību, ka mašīna, uz kuru šī deklarācija attiecas, atbilst šādu direktīvu: pamatprasībām Mašīnu Direktīva 2006/42/EC - Elektromagnētiskās saderības Direktīva 2014/30/EU - Direktīva 2011/65/EU grozīta ar 2015/863/EU pantu - Direktīva WEEE 2012/19/EU - Direktīva 2014/53/EU. Tiek arī nodrošināts, ka mašīnas dizains, pēc precīziem biznesa procesiem atbilst standartā EN ISO 9001:2015 prasībām attiecībā uz vadības sistēmu kvalitāti.</p>
<p><b>MT</b> - Il-manifattur, u l-persuna awtorizzata biex tikkompila l-fajl tekniku jiddikjaraw taht ir-responsabilita taghhom stess li l-magna li ghaliha qed issir din id-dikjarazzjoni hija konformi ghar-rekwiziti essenzjali previsti mid direttivi li ghejin: Direttiva dwar il-Magni 2006/42/EC - Direttiva dwar il-Kompatibilita Elettronamjetika 2014/30/EU - Direttiva 2011/65/EU kif emendata b'2015/863/EU - Direttiva WEEE 2012/19/EU - Direttiva 2014/53/EU. Dan jizgura wkoll li d-disinn tal magna u l-produzzjoni taghha jsiru, u jigu ddokumentati wara processi tan-negozju precizi li huma konformi ma' EN ISO 9001:2015 dwar is-sistemi ta' gestjoni tal-kwalita.</p>
<p><b>NL</b> - De fabrikant en gemachtigde voor het samenstellen van het technisch dossier verklaart dat het betreffende toestel voldoet aan de toepasselijke fundamentele voorschriften van de volgende richtlijnen: Machinerichtlijn 2006/42/EC - EMC-richtlijn 2014/30/EU - Richtlijn 2011/65/EU zoals gewijzigd bij 2015/863/EU - Richtlijn WEEE 2012/19/EU - Richtlijn 2014/53/EU. Verder wordt gegarandeerd dat het ontwerp en de productie van het toestel werd gedocumenteerd en geïmplementeerd volgens de vereisten van de norm EN ISO 9001:2015 voor kwaliteitsmanagementsystemen.</p>
<p><b>NO</b> - Produzent og den personen som er autorisert til å utstede den tekniske dokumentasjonen, erklærer under eget ansvar, at den maskinen denne erklæringen viser til, er i samsvar med de grunnleggende kravene som fremsettes i følgende direktiv: Maskindirektiv 2006/42/EC - Direktivet om elektromagnetisk kompatibilitet 2014/30/EU - Direktiv 2011/65/EU som endret ved 2015/863/EU - Direktiv WEEE 2012/19/EU - Direktiv 2014/53/EU. Det garanteres videre at utformingen av maskinen og den påfølgende framstillingen er blitt utført og dokumentert etter spesifikke prosedyrer for selskapet, i samsvar med regelverket NS-EN ISO 9001:2015 om ledelsessystem for kvalitet.</p>
<p><b>PL</b> - Producent oraz osoba upoważniona do sporządzenia dokumentacji technicznej zaświadcza, że maszyna, której dotyczy niniejsza deklaracja, jest zgodna z zasadniczymi wymaganiami przewidzianymi w następujących dyrektywach: Dyrektywa Maszynowa 2006/42/EC - Dyrektywa Kompatybilności Elektromagnetycznej 2014/30/EU - Dyrektywa 2011/65/EU zmieniona przez 2015/863/EU - Dyrektywa WEEE 2012/19/EU - Dyrektywa 2014/53/EU. Ponadto gwarantuje się, że fazy projektowania oraz produkcji maszyny zostały przeprowadzone oraz są udokumentowane według dokładnych procedur zakładowych, zgodnych z normą EN ISO 9001:2015, dotyczącą systemów zarządzania jakością.</p>
<p><b>PT</b> - O Fabricante e a pessoa autorizada a preencher o documento técnico declaram, à sua inteira e exclusiva responsabilidade, que a máquina a que se refere esta declaração está em conformidade com os requisitos essenciais estabelecidos pelas seguintes diretivas: Diretiva Máquinas 2006/42/EC - Diretiva Compatibilidade Eletromagnética 2014/30/EU - Diretiva 2011/65/EU alterada pela 2015/863/EU - Diretiva WEEE 2012/19/EU - Diretiva 2014/53/EU. É também garantido que a concepção e produção da máquina são efetuadas e documentadas de acordo com procedimentos empresariais específicos em conformidade com a norma EN ISO 9001:2015 relativa aos sistemas de gestão da qualidade.</p>
<p><b>RO</b> - Fabricantul și persoana autorizată pentru realizarea dosarului tehnic declară pe propria răspundere că mașina la care se referă prezenta declarație se conformează cerințelor esențiale prevăzute de următoarele directive: Directiva 2006/42/EC Mașini - Directiva 2014/30/EU Compatibilitatea electromagnetică - Directiva 2011/65/EU astfel cum a fost modificat de 2015/863/EU - Directiva WEEE 2012/19/EU - Directiva 2014/53/EU. Se garantează, de asemenea, că proiectarea mașinii și producția acesteia, documentate corespunzător, se efectuează cu respectarea unor proceduri de întreprindere specifice, conforme cu standardul EN ISO 9001:2015 aferent sistemelor de management al calității.</p>
<p><b>SK</b> - Výrobca a osoba poverená vypracovaním technickej dokumentácie na vlastnú zodpovednosť prehlasujú, že stroj, na ktorý sa toto prehlásenie vzťahuje, je v súlade so základnými požiadavkami, ktoré vyžadujú nasledujúce smernice: Smernica o strojných zariadeniach 2006/42/EC - Smernica o elektromagnetickej kompatibiliti 2014/30/EU - Smernica 2011/65/EU zmenená a doplnená 2015/863/EU - Smernica WEEE 2012/19/EU - Smernica 2014/53/EU. Ďalej sa zaručuje, že stroj bol navrhnutý a vyrobený, a výroba je zdokumentovaná, v súlade s presnými firmnými postupmi, ktoré zodpovedajú norme EN ISO 9001:2015 o systémoch riadenia kvality.</p>
<p><b>SL</b> - Proizvajalec in oseba, pooblašena za sestavo tehnične dokumenta, s polno odgovornostjo izdaja potrdilo, da je stroj, predmet te izjave, izdelan v skladu z osnovnimi zahtevami, kot jih določajo predpisi: Direktiva o strojih 2006/42/EC - Direktiva o elektromagnetni združljivosti 2014/30/EU - Direktiva 2011/65/EU kakor je bila spremenjena z 2015/863/EU - Direktiva WEEE 2012/19/EU - Direktiva 2014/53/EU. Jamčimo tudi za obliko sistema in predmetno izdelavo, pri katerih smo opravili postopke in pripravili ustrežno dokumentacijo v skladu z ustrežno tovarniško prakso in predpisom EN ISO 9001:2015, ki velja za sisteme zagotavljanja kakovosti.</p>
<p><b>SV</b> - Tillverkaren och den person som har befogenhet att sammanställa den tekniska dokumentationen intygar, på eget ansvar, att maskinen denna försäkran hänvisar till överensstämmer med de väsentliga krav som ställs av följande direktiv: Maskindirektiv 2006/42/EC - Direktivet om elektromagnetisk kompatibilitet 2014/30/EU - Direktivet 2011/65/EU ändrat genom 2015/863/EU - Direktivet WEEE 2012/19/EU - Direktivet 2014/53/EU. Det garanteras vidare att utformningen av maskinen och därtill hörande tillverkning genomförs dokumenterat, i enlighet med exakta fabriksförfaranden som följer standard EN ISO 9001:2015 om system för kvalitetsstyrning.</p>
<p><b>TR</b> - Üretici ve teknik dosyayı oluşturmakla görevli kişi bu beyanını ilgili olduđu makinenin, ařadığı direktifler tarafından öngörülen temel gerekliliklere uygun olduđunu kendi sorumluluđu altında beyan eder: 2006/42/EC Makine Direktifi - 2014/30/EU Elektromanyetik Uyumluluk Direktifi - 2015/863/EU tarafından deđiřtirilen 2011/65/EU sayılı Direktif - WEEE 2012/19/EU Direktifi - 2014/53/EU Direktifi. Bundan bařka, makinenin tasarımı ve ilgili üretimi, kalite yönetimi sistemlerine iliřkin EN ISO 9001:2015 standardına uygun kesin iřletme prosedürlerinin izlenmesi yoluyla gerçekleřtirilmesi ve belgelendirilmesi sađlanır.</p>