

COATS®

Models 1100, 1150-2D Wheel Balancers



Model 1150-2D
Shown

Parts Identification

READ these instructions before placing unit in service. KEEP these and other materials delivered with the unit in a binder near the machine for ease of reference by supervisors and operators.

HENNESSY INDUSTRIES, INC.

1601 J. P. Hennessy Drive, LaVergne, TN USA 37086 615/641-7533 800/688/6359 www.ammcoats.com
HENNESSY INDUSTRIES INC. Manufacturer of AMMCO®, COATS® and BADA® Automotive Service Equipment and Tools.

Manual Part No.: 85609416 03
Revision: 2/15

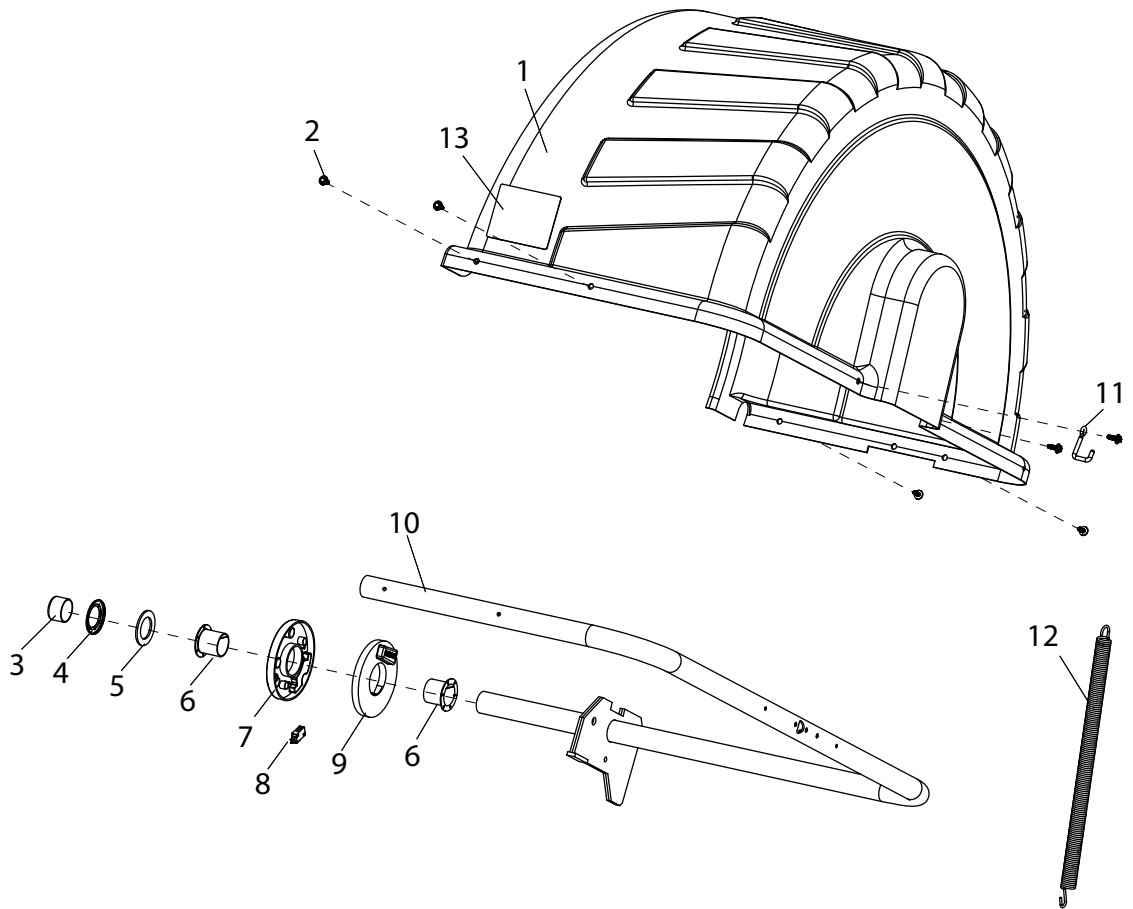
Parts Identification

The following pages include parts breakdowns with exploded view illustrations to help with ordering replacement or spare kits. Assemblies are noted where it is recommended that individual parts not be ordered separately. Note that the parts view illustrations are for multiple models and not all parts shown are on all models. Every effort is made to supply accurate exploded views, however, due to interim changes in manufacturing operations, some units may not be exactly as illustrated.

Table of Contents

Wheel Guard Assembly.....	3
Chassis Assembly	4
Distance Gauge Assembly	5
Motor Assembly	6 - 7
Touch Panel and Pod Assembly.....	8 - 9
Power Panel & MCB	10

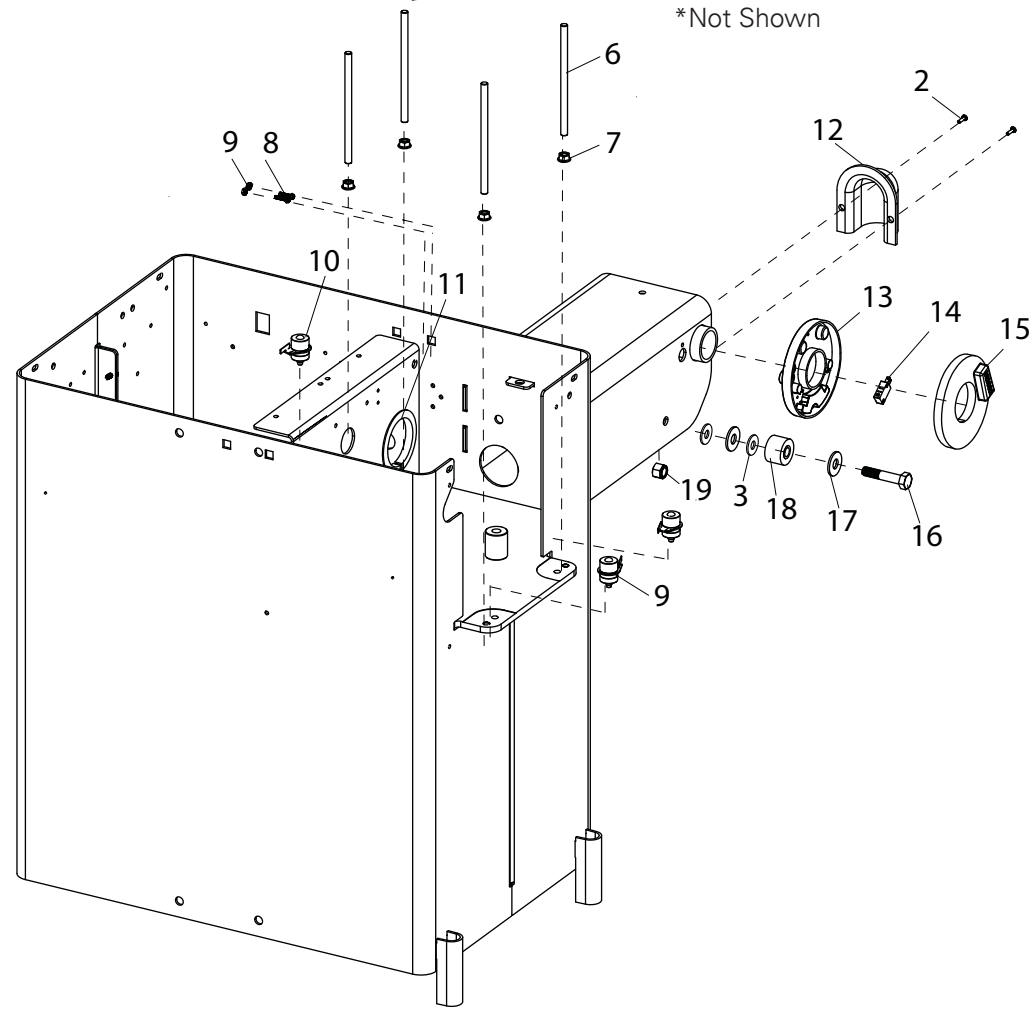
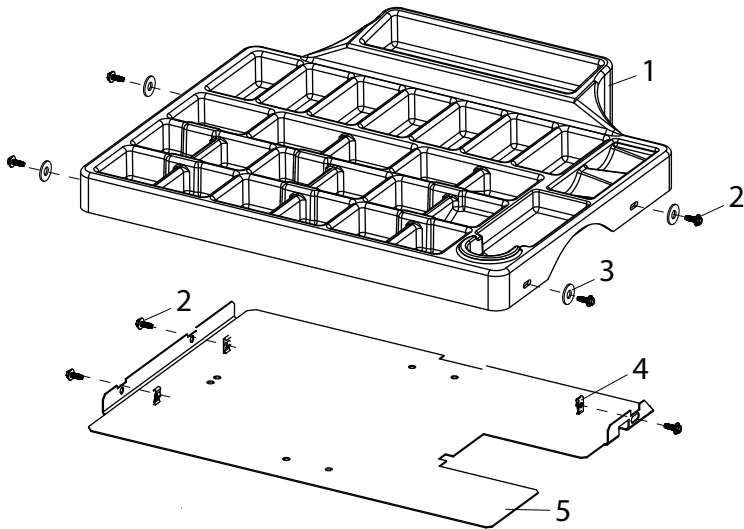
Wheel Guard Assembly



Item	Part No.	Description
1	8113620	Wheel Guard
2	8106301	1/4" Hex Self-Tap Screw
3	8109949	Hood Bar Cap
4	8109945	1-1/2" Retainer Washer
5	8109944	Hood Bar Washer
6	8307014	Flanged Nylon Bearing
7	8113333	Hood Switch Housing
8	8113334	Limit Switch
9	8113332	Hood Switch Cam/Cover
10	8114319	Hood Bar W/C
11	8111021	Caliper Storage Hook
12	8308062	Hood Spring
13	85609404	Warning Decal

Chassis Assembly

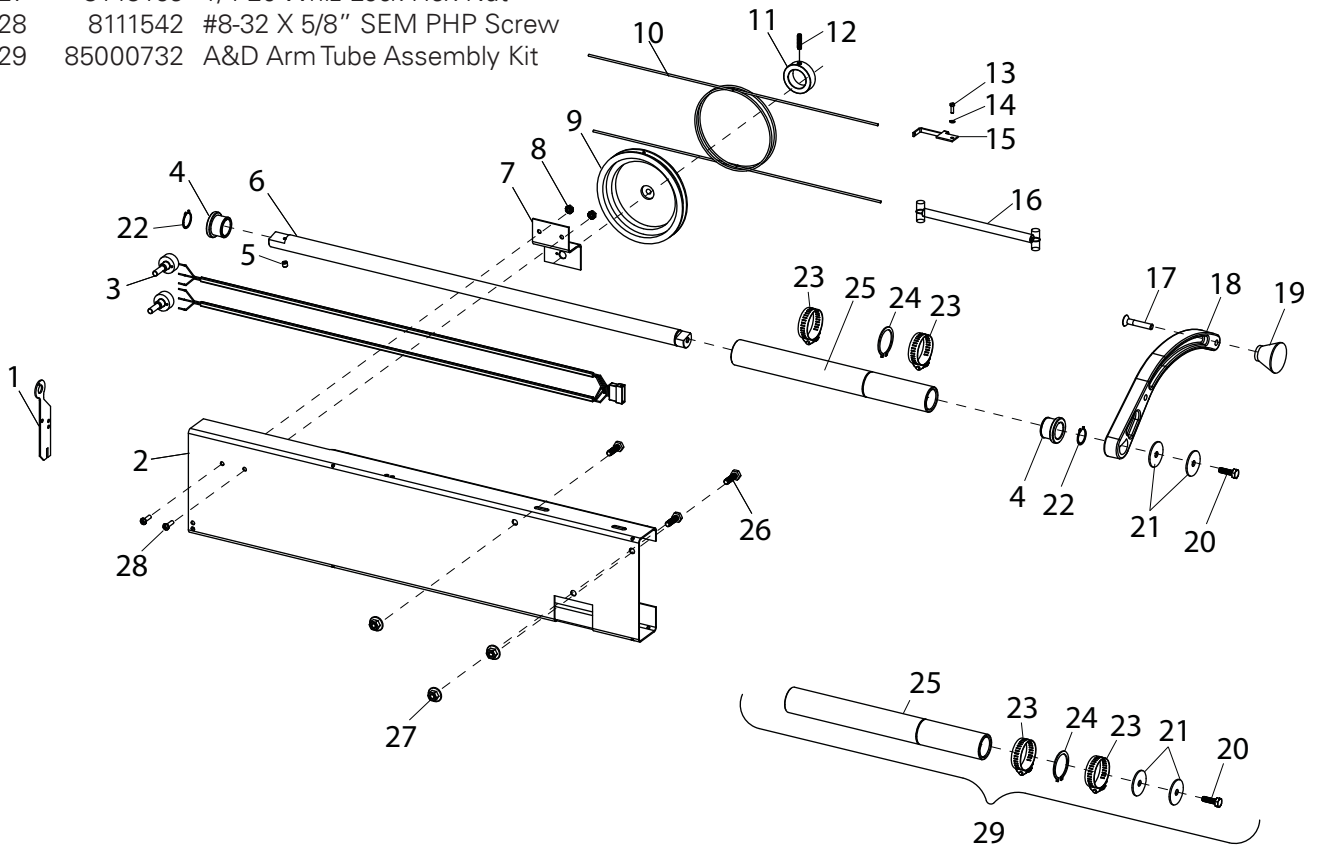
Item	Part No.	Description
1	85609391	Weight Tray
2	8106301	1/4" Hex Self-Tap Screw
3	8111032	1/4" Heavy Fender Washer
4	8106304	1/4-20 Tinnerman Nut
5	8111064	Weight Tray Shield
6	8108727	Threaded Rod
7	8106303	3/8-16 Hex Jam Nut
8	8110560	#8-32 x 3/4 Screw (Ground)
9	8301084	#8-32 Kep Nut (Ground)
10	8114473	Piezo Assy (1 Tab Piezo), Set of 3
	81142663	Piezo Assy (2 Tab Piezo), Set of 3
11	85606581	Flex Grommet
12	8111029	Rear Harness Cover
13	8113333	Hood Switch Housing
14	8113334	Limit Switch
15	8113332	Hood Switch Cam/Cover
16	8301120	1/2-13 x 2-1/2 HH Bolt
17	8301121	1/2" Flat Washer
18	8309008	Rubber Hood Stop
19	8301122	1/2-13 Hex Nut
*20	8113927	Safety Decal



*Not Shown

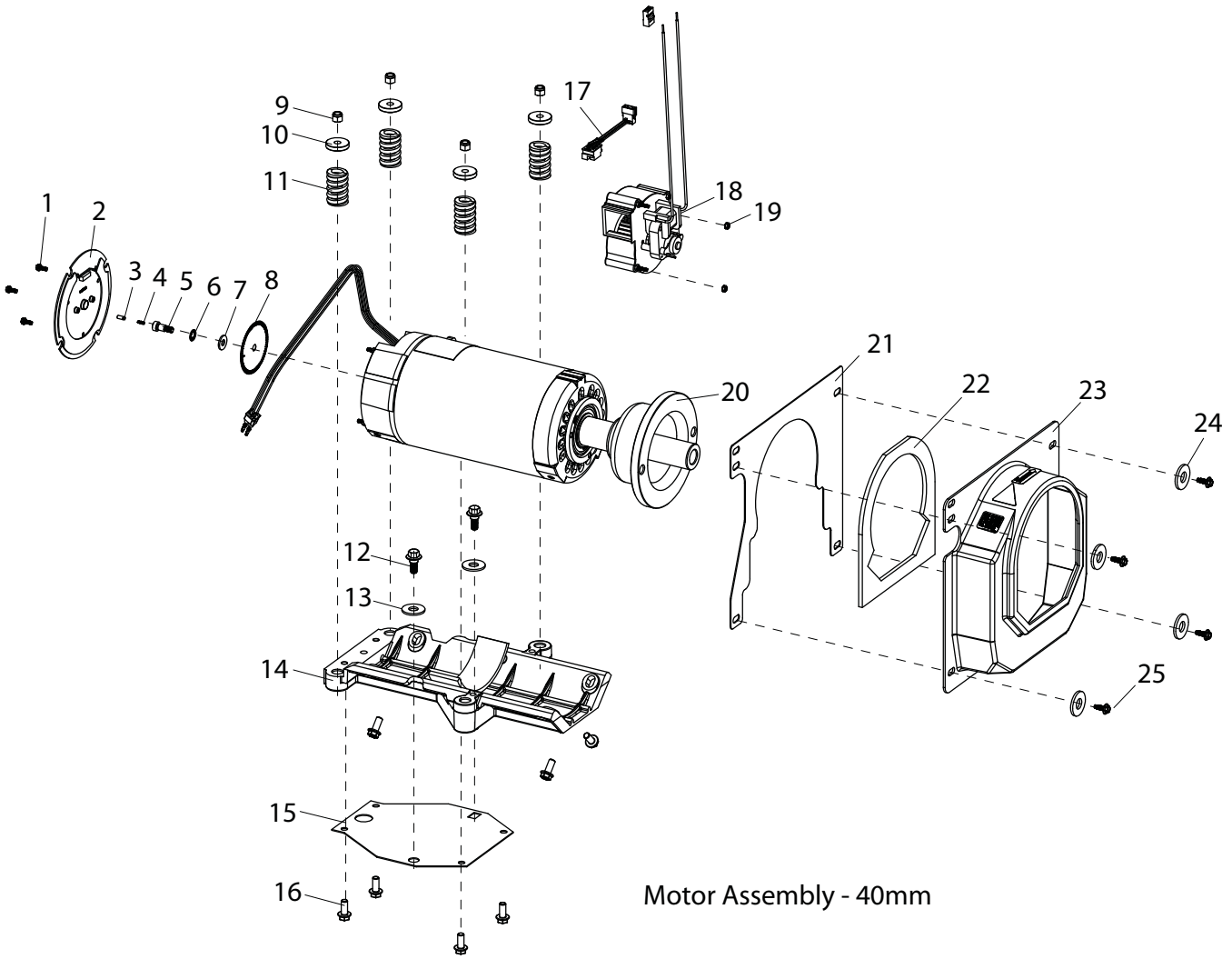
Distance Gauge Assembly

Item	Part No.	Description
1	8114254	A & D Pendulum
2	8114251	A & D Bracket
3	85608205	A & D Pots with Harness Assy
4	85000730	Distance Rod Bushing
5	8114408	M6 x 6mm Long Set Screw
6	80180018	A & D Rod
7	8114258	A & D Pot Bracket
8	8301084	#8-32 Kep Nut
9	80180017	Distance Pot Pulley
10	80180022	String
11	8114403	Pulley Collar
12	8114404	10-24 x 3/4 SHSS Screw
13	80180020	Spring Bracket, 3MM Screw
14	80180021	Washer 3mm
15	80180019	String Bracket
16	80180023	Spring
17	8111173	1/4-20 x 1-1/2 FHS Screw
18	8114373	Arm
19	8114253	Cone
20	85000731	6mm-1 x 20mm HHCS Screw, Gr.8.8
21	8111032	1/4" Heavy Fender Washer
22	903174	Retaining Ring
23	8114264	Hose Clamp
24	8100964	1 1/4-inch Retaining Ring
25	8114255	A & D Tube
26	8301534	1/4-20 x 1 HHCS Screw, Zinc
27	8143169	1/4-20 Whiz Lock Hex Nut
28	8111542	#8-32 X 5/8" SEM PHP Screw
29	85000732	A&D Arm Tube Assembly Kit



A & D Tube Assembly Kit

Motor Assembly



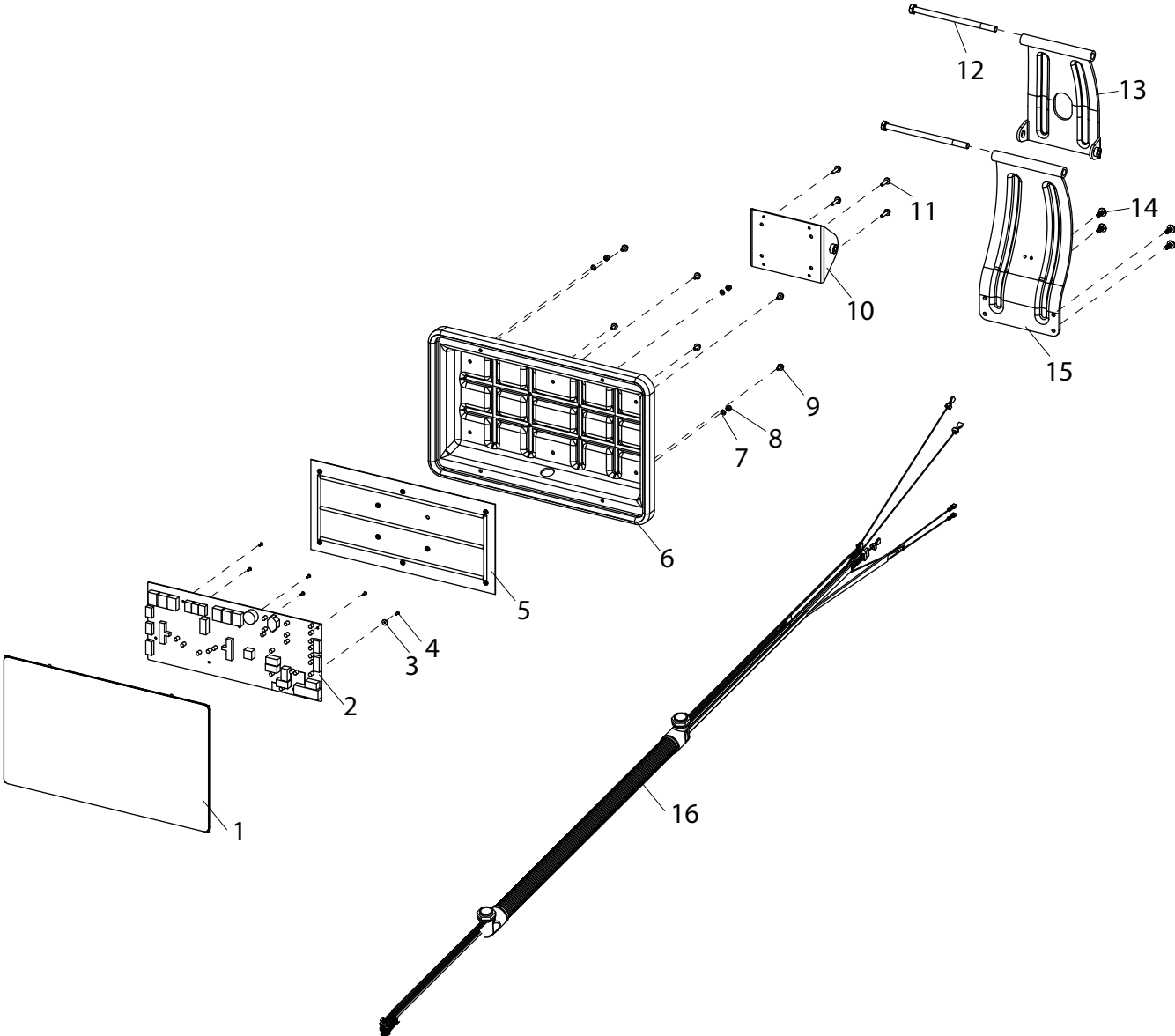
Motor Assembly - 40mm

(Motor Assembly)

Item	Part No.	Description
1	8144110	#10-24 x 0.50 HWHS Screw
2	8308513	Rear End Bell Cover
3	8113560	Carbon Bushing
4	8113561	Brush Spring
5	8113559	Brush Holder
6	8104200	3/8" ID Lock Washer
7	900278	5/16" Flat Washer
8	8308817	Rotary Shutter
9	8301035	3/8-16 Hex Nyloc Nut
10	8308036	Piezo Spring Retainer
11	8307008	Piezo Spring
12	85609427	Special Shoulder Bolt
13	8301121	1/2" Flat Washer
14	8110430	Motor Cradle
15	8112182	Flex Plate
16	8106302	3/8" Whiz Lock Screw, Gr.5
17	8110923	Encoder Assembly
18	8114265	Fan Assembly, 230 VAC
19	8301084	#8-32 Kep Nut
20	85010010	Motor Replacement Kit (40mm)
21	85609063	Motor Cover Shield
22	8308536	Motor Gasket
23	85608997	Motor Shroud Assembly
24	8111032	1/4" Heavy Fender Washer
25	8106301	1/4" Hex Self-Tap Screw

* Not Shown

Touch Panel and Pod Assembly



(Monitor, Touch Screen, and Computer Assemblies)

Item	Part No.	Description
1	85609299	Touch Panel
2	85608097	PCB Display
3	85609410	#4-0.125 ID x 0.438 ID Flat Washer
4	85608013	M3 x 8 CRPH Screw
5	85608231	Plate with Riveted Nut
6	85608092	Electronics Pod
7	85608177	M5 Flat Washer
8	85608080	M5 Self-lock Hex Nut
9	85608489	M5 x 0.8-10 HHCS Flanged Bolt
10	85608246	Pod Bracket with Riveted Nut
11	85608490	M5 x 0.8-20 HHCS Flanged Bolt
12	85608472	M10 x 1.5-180mm HHCS Screw
13	85608087	Top Support Bracket
14	8106301	1/4" Hex Self-Tap Screw
15	85608084	Bottom Support Bracket
16	85608117	Control Board Harness Assy (1 Tab Piezo), Set of 3
	8560811701	Control Board Harness Assy (2 Tab Piezo), Set of 3

Power Panel & MCB

Item	Part No.	Description	Item	Part No.	Description
1	85609122	ON/OFF Switch	14	806058	Strain Relief
2			15	8113101	Power Cord Assembly, 1 PH
3	85609308	Power Panel		8143127	Power Cord Assembly, 3 PH
4	85000361	Stand-off, Snaplock	16	8305076	1 PH Plug, L6-20P
5	8114412	Motor Control PCB		8140786	3 PH Plug, L15-20P
6	8309005	Wire Assembly	*	85000711	Motor Protection, 1 PH
7	8309057	Wire Assembly	*	85000712	Motor Protection, 3 PH
8	8112236	Washer			
9	8110537	Bracket Assembly			
10	8111542	#8-32 x 5/8 Lg. PHP SEM Screw			
11	8112356	Capacitor Assembly (1PH only)			
12	85608188	Fan Harness, 230V			
13	85608117	Control Board Harness Assy (1 Tab Piezo), Set of 3			
	8560811701	Control Board Harness Assy (2 Tab Piezo), Set of 3			

*Not Shown

