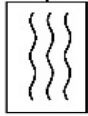
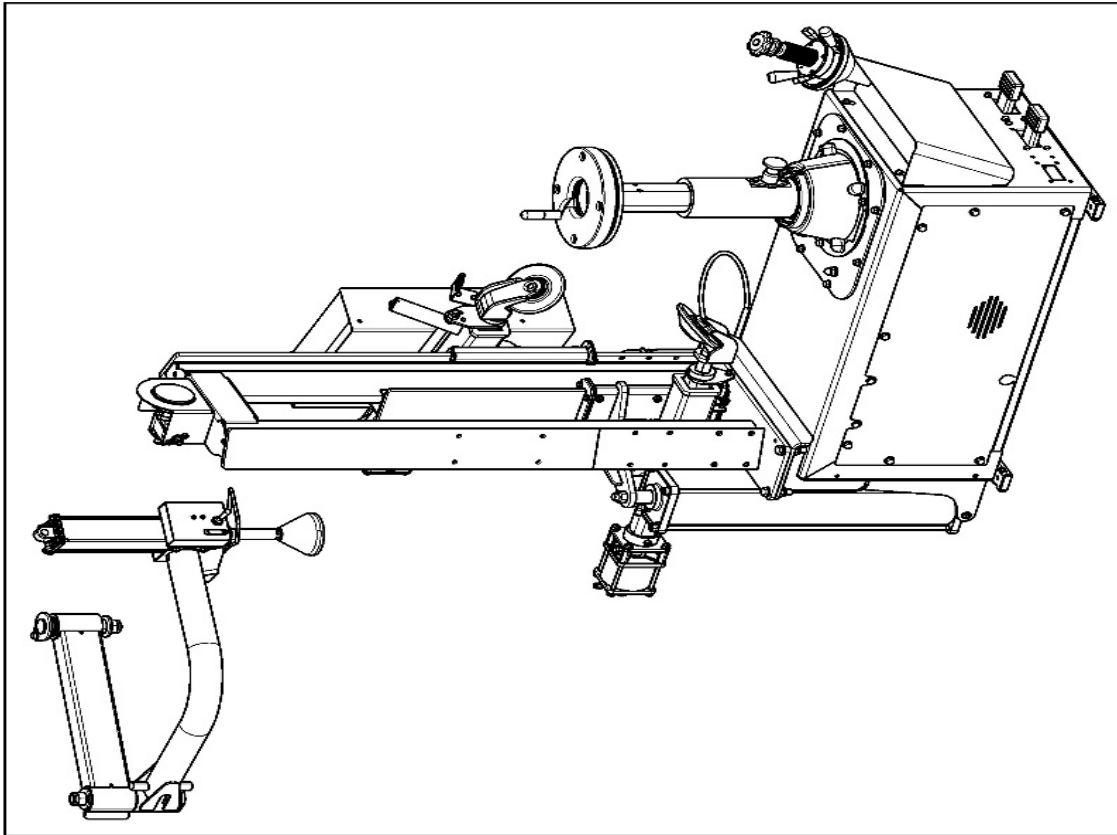


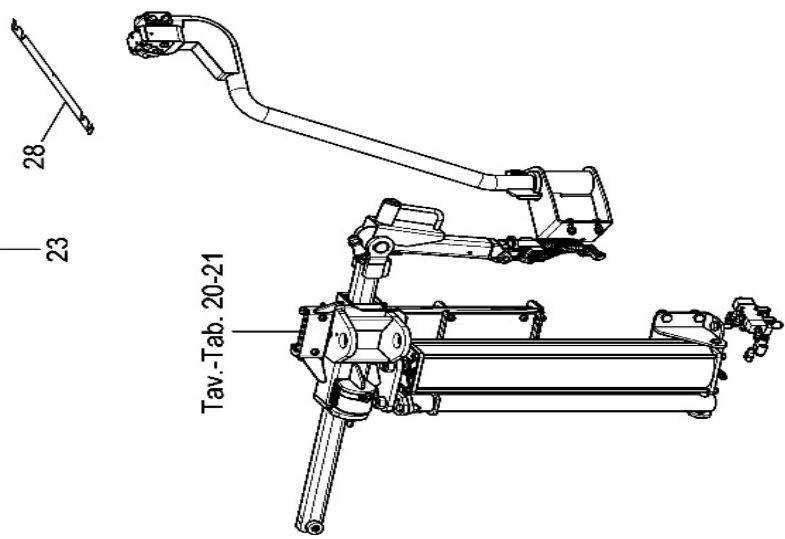
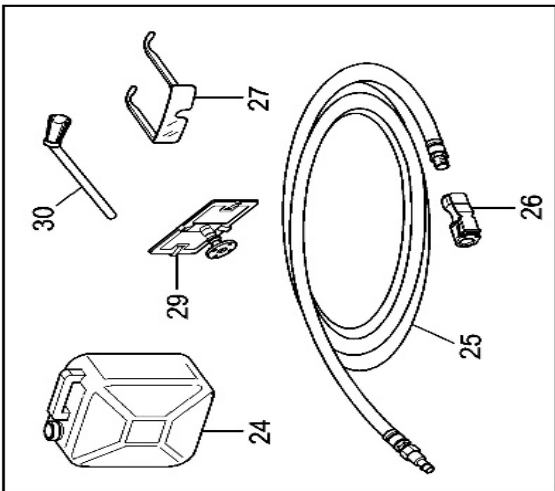


**TC39 Tire Changer**

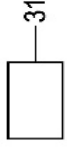
© 2018-2021 Hunter Engineering Company



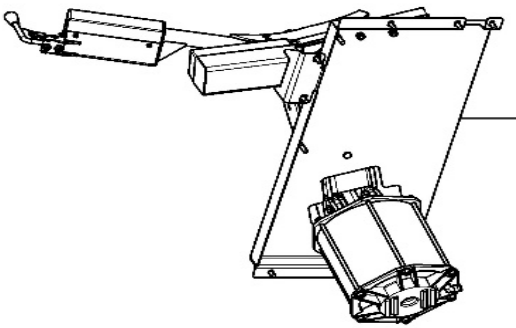
Tav.-Tab. 22



Tav.-Tab. 20-21



31

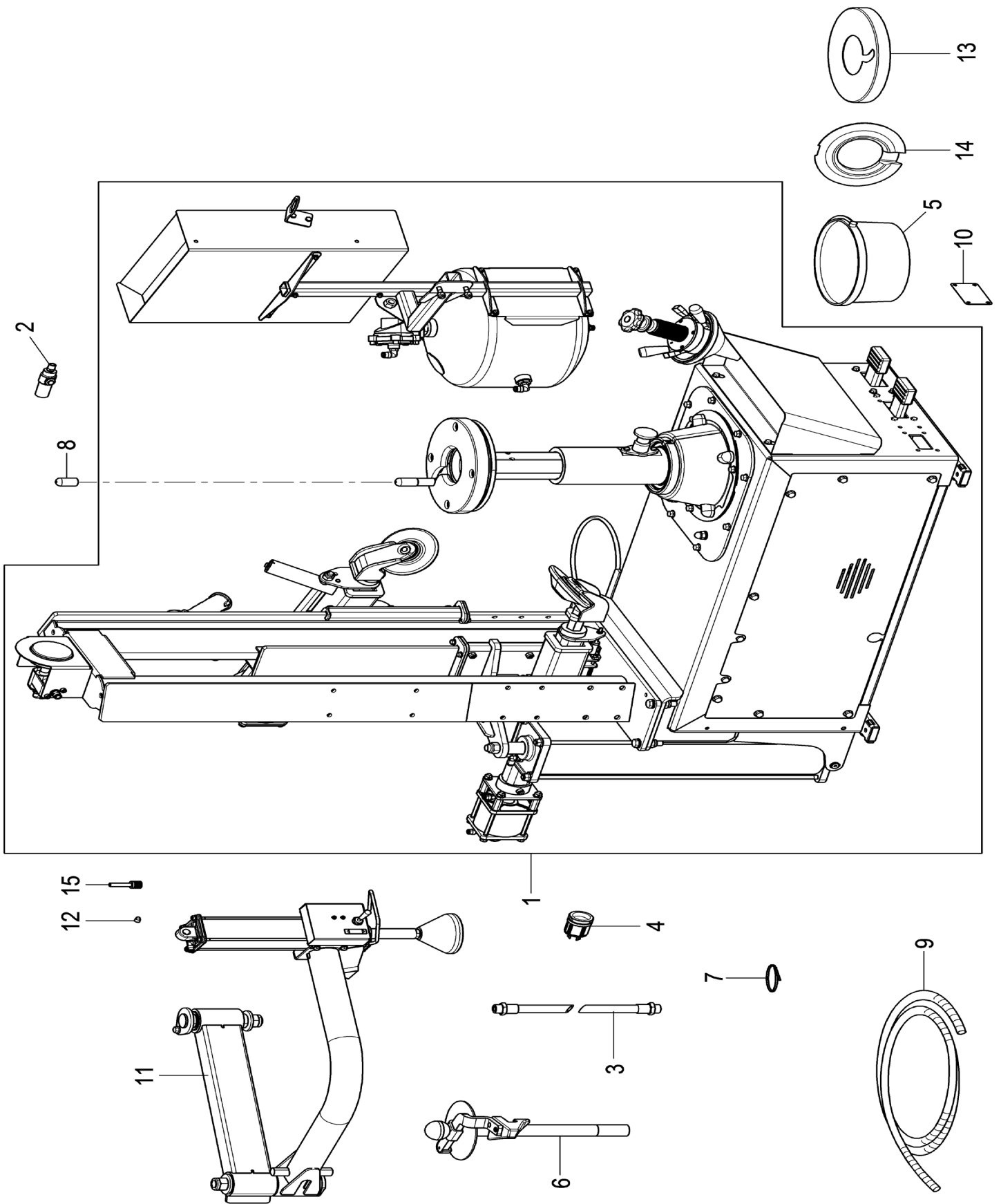


Tav.-Tab. 17-18-19

# TC39 Main Assembly

REFER TO NEXT SHEET FOR PARTS DESCRIPTION LISTING

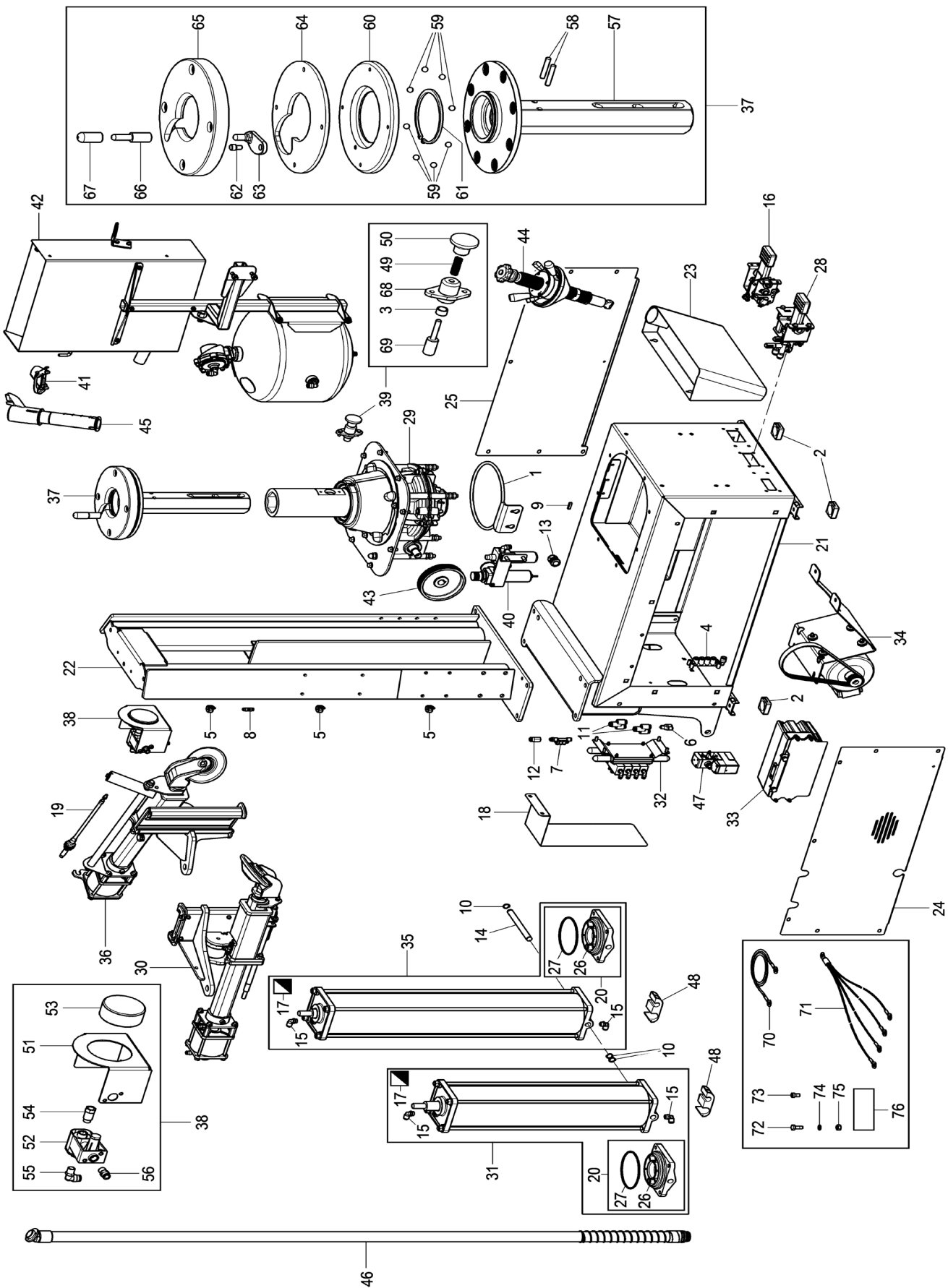
<b>Index No.</b>	<b>Part Number</b>	<b>Description</b>
2	RP6-710890662	Machine body
3	RP6-710890632	Base unit with column
4	RP6-710490401	Pedalboard for inverter
5	RP6-710890110	Inflation pedalboard unit
6	RP6-710890150	VSF reduction gear unit
7	RP6-710890242	Lower bead breaker carriage unit
8	RP6-710890320	Pneumatic valves unit
9	RP6-710890350	Blade unit with motor
10	RP6-710890492	Upper bead breaker carriage unit
11	RP6-710890610	Air treatment unit
12	RP6-710891370	Locking shaft unit
13	RP6-710891320	Pneumatic bead depressor unit
14	RP6-710891360	Support unit with bowl
15	RP6-710891330	Inverter unit with plate
16	RP6-710090730	Bead depressor with traction tool
17	RP6-1000A147	Vane bead breaker kit
18	RP6-710290370	Bead breaking fulcrum-type cylinder
19	RP6-710291280	Valve Powerout
20	RP6-1000A156	Kit lever less
21	RP6-710890481	Tool carriage unit
22	RP6-	Decal placement
23	RP6-710293230	Standard equipment
24	RP6-710217660	Lubricating oil bottle
25	RP6-710217680	Pipe kit
26	RP6-710217690	Inflation nozzle
27	RP6-710217700	Protective glasses
28	RP6-710815670	Thickness for column
29	RP6-G1000A86	MIRROR
30	RP6-1506	BRUSH
31	RP6-P6-999923160	Warning Prop 65 plate



### TC39 Machine Body

REFER TO NEXT SHEET FOR PARTS DESCRIPTION LISTING

<b>Index No.</b>	<b>Part Number</b>	<b>Description</b>
1	RP6-710890632	Drive base unit
2	RP6-710890641	Deflating terminal unit
3	137-86-2	REPLACEMENT HOSE ONLY
4	RP6-520178	Nema L6-20P 20A 250V plug
5	RP6-3784	Tire Paste
6	RP6-710090730	Beadpusher with pulling system
7	RP6-0178	3.6x142 clamp
8	RP6-710090481	Guard with OR
9	RP6-511037	Sheath
10	RP6-710814150	Pedal slot closing
11	RP6-710891321	Pneumatic beadpusher unit
12	RP6-325151	Cap
13	RP6-710013421	Reverse wheels protection
14	RP6-1157	LARGE CONE
15	RP6-325154	Cap fitting



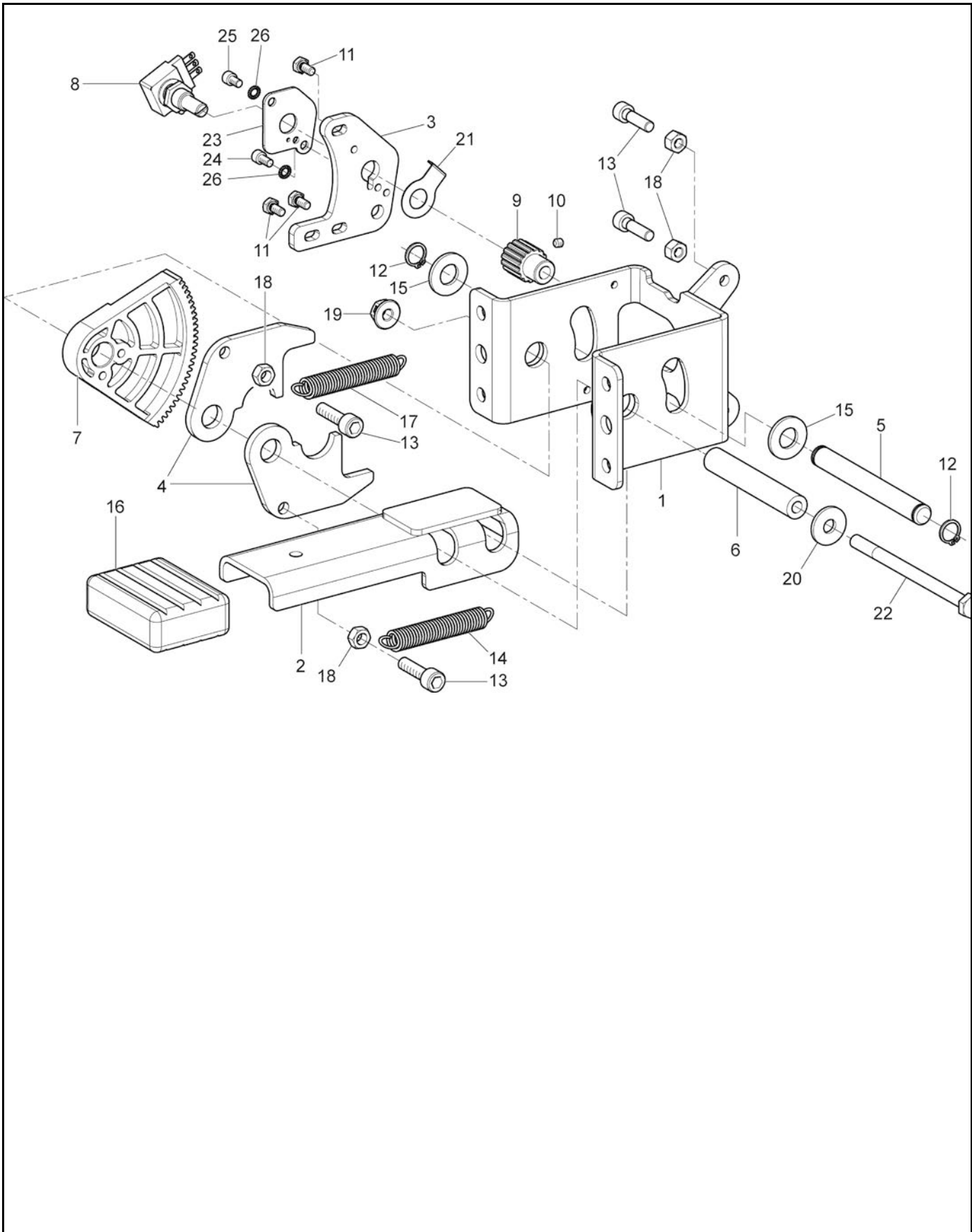
## TC39 Tire Changer Base Unit With Column

REFER TO NEXT SHEET FOR PARTS DESCRIPTION LISTING

## Parts Description Listing

Index No.	Part Number	Description
1	RP6-0223	BRACKET FOR LUBE CONTAINER
2	RP6-2528	Rubber foot
3	RP6-730023890	Spacer for spring
4	RP6-3666001	5-way shunt
5	RP6-5717	Hose clamp
6	145-318-2	FITTING-5/32 Y
7	RP6-7351	"1/8" 5-WAY CONNECTION"
8	RP6-9451	D.4 right middle fitting
9	RP6-231003	6x6x25 wrench
10	RP6-243007	External seeger 15
11	RP6-325181	Y8 fitting
12	RP6-325194	8-1/8 straight fixed fitting
13	RP6-599445	Cable press
14	RP6-710012440	D.15 pin cylinder
15	RP6-325118	Rotating fitting
16	RP6-710490401	Pedalboard for inverter
17	RP6-GU4940	Cylinder gasket kit D.125
18	RP6-710811680	Valve guard
19	RP6-710811910	Bowden cable
20	RP6-790070630	Rear flange kit
21	RP6-710812802	Base assembly
22	RP6-710813340	Column assembly
23	RP6-710813930	Front bowl assembly
24	RP6-710813950	Left casing
25	RP6-710814020	Right casing
26	RP6-710010061	Rear flange
27	RP6-401159	OR
28	RP6-710890110	Inflation pedalboard unit
29	RP6-710890151	VSF reduction gear unit
30	RP6-710890242	Lower bead breaker carriage unit
31	RP6-710890260	D.125 pneumatic cylinder unit
32	RP6-710890320	Pneumatic valves unit
33	RP6-710891330	Inverter unit with plate
34	RP6-710890350	Blade unit with motor
35	RP6-710890410	D.125 pneumatic cylinder
36	RP6-710890492	Lower bead breaker carriage unit
37	RP6-710890540	Wheel bearing unit
38	RP6-710890570	Pressure gauge support unit

Index No.	Part Number	Description
39	RP6-710890590	Wheel bearing positioning unit
40	RP6-710890610	Air treatment unit
41	RP6-710890620	Tubeless inflation support unit
42	RP6-710891360	Support unit with bowl
43	RP6-730012420	D.132 pulley
44	RP6-710891370	Locking shaft unit
45	RP6-770090000	Inflation device assembly
46	RP6-790090810	Pipe
47	RP6-790090730	60 PSI valve group
48	RP6-750616050	Fitting guard
49	RP6-8830	Spring
50	RP6-0903169	Handgrip
51	RP6-710813880	Pressure gauge support blade
52	RP6-710890580	Pressure gauge support unit
53	RP6-7026001	D.80 (80psi) pressure gauge
54	RP6-0312053	"1/4" extension"
55	RP6-0325031	Rotating fitting
56	RP6-0325016	Fixed fitting
57	RP6-710813840	Bearing assembly
58	RP6-0234192	8x50 cylindrical pin
59	RP6-3391	STEEL BALL D.10 AA
60	RP6-710010700	Upper flange
61	RP6-0243055	External seeger 105
62	RP6-710012780	Threaded pin
63	RP6-710013680	Connecting rod with traction tool
64	RP6-710012770	Spacer for bearing
65	RP6-710012960	Rubber wheel bearing
66	RP6-710012941	Pin extension
67	RP6-710090481	Guard with OR
68	RP6-710811650	Pin guide assembly
69	RP6-730022700	Locking pin
70	RP6-790065110	Ground cable
71	RP6-790065100	Ground cables assembly
72	RP6-0203146	TE M5x6 bolt
73	RP6-0206229	TCEI M5x10 bolt
74	RP6-0239017	Washer
75	RP6-0224005	M5 middle nut
76	RP6-4221	Grounding plate



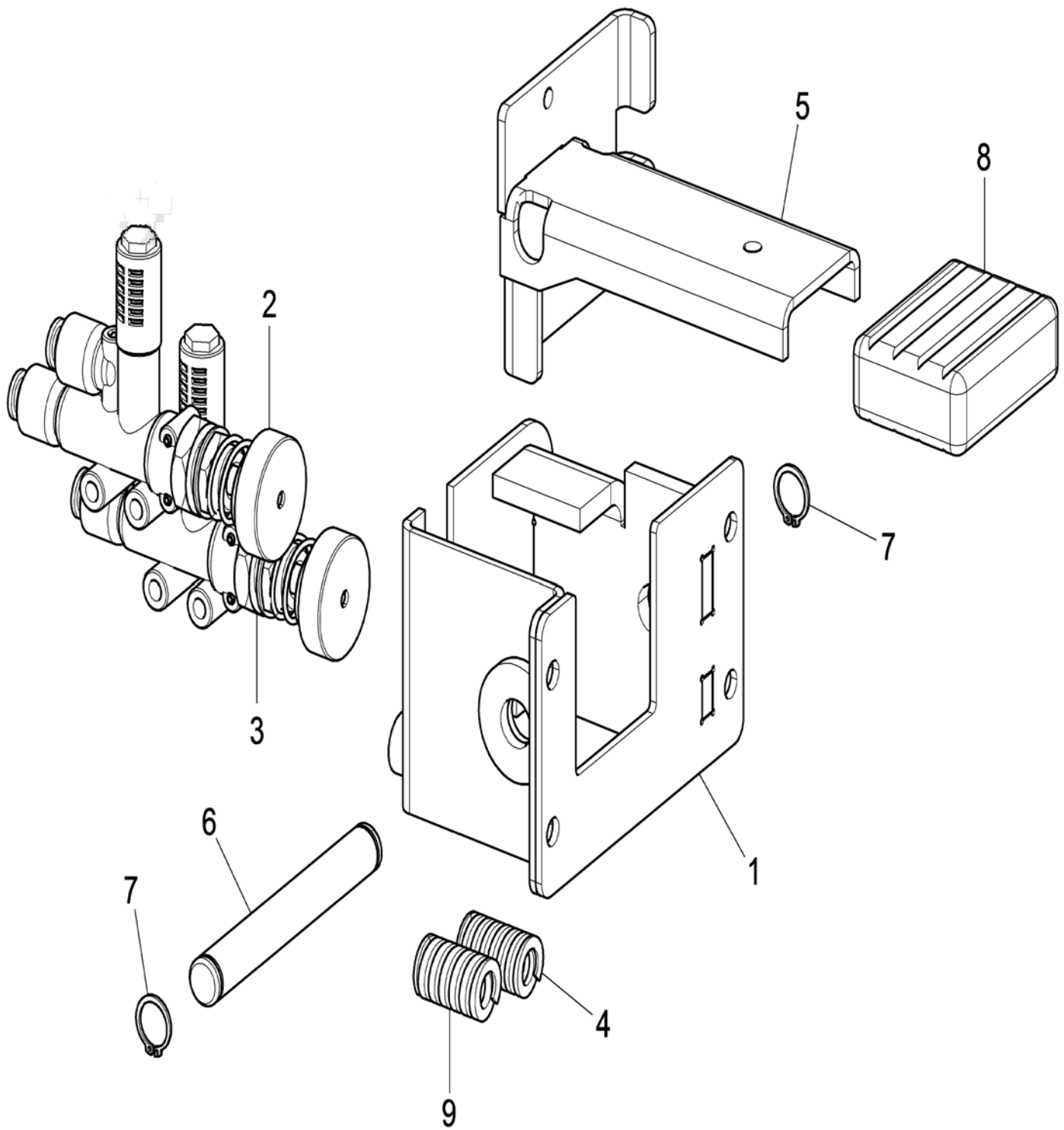
## Motor Pedal Board

REFER TO NEXT SHEET FOR PARTS DESCRIPTION LISTING



Parts Description Listing

Index No.	Part Number	Description
1	RP6-710412801	Pedal support
2	RP6-710412900	Welded pedal
3	RP6-710412820	Potentiometer support
4	RP6-710412830	Lever for sector
5	RP6-710412840	Pedal board pin
6	RP6-710413000	Pedalboard pin
7	RP6-710411670	Toothed sector
8	RP6-710565010	Cable and potentiometer
9	RP6-730011050	D.17 pinion gear
10	RP6-213485	STEI M4x4 screw
11	RP6-203228	TE M4x8 screw
12	RP6-243005	External seeger 12
13	RP6-206408	TCEI M6x22 screw
14	RP6-1309900	1,2x9,5x64 Zn T spring
15	RP6-0472	FE 12.3x22x2 washer
16	RP6-0173	Pedal protection plug
17	RP6-918017	TRZ spring
18	RP6-4137	M6 BIBOLT NUT
19	RP6-4137	M6 BIBOLT NUT
20	RP6-237011	ø6x18 flat washer
21	RP6-790011970	Safety washer
22	RP6-201414	TE M6x90 screw
23	RP6-710613460	Plate
24	RP6-206228	TCEI M4x8 screw
25	RP6-206347	TCEI M4x6 screw
26	RP6-239018	4,3 toothed washer

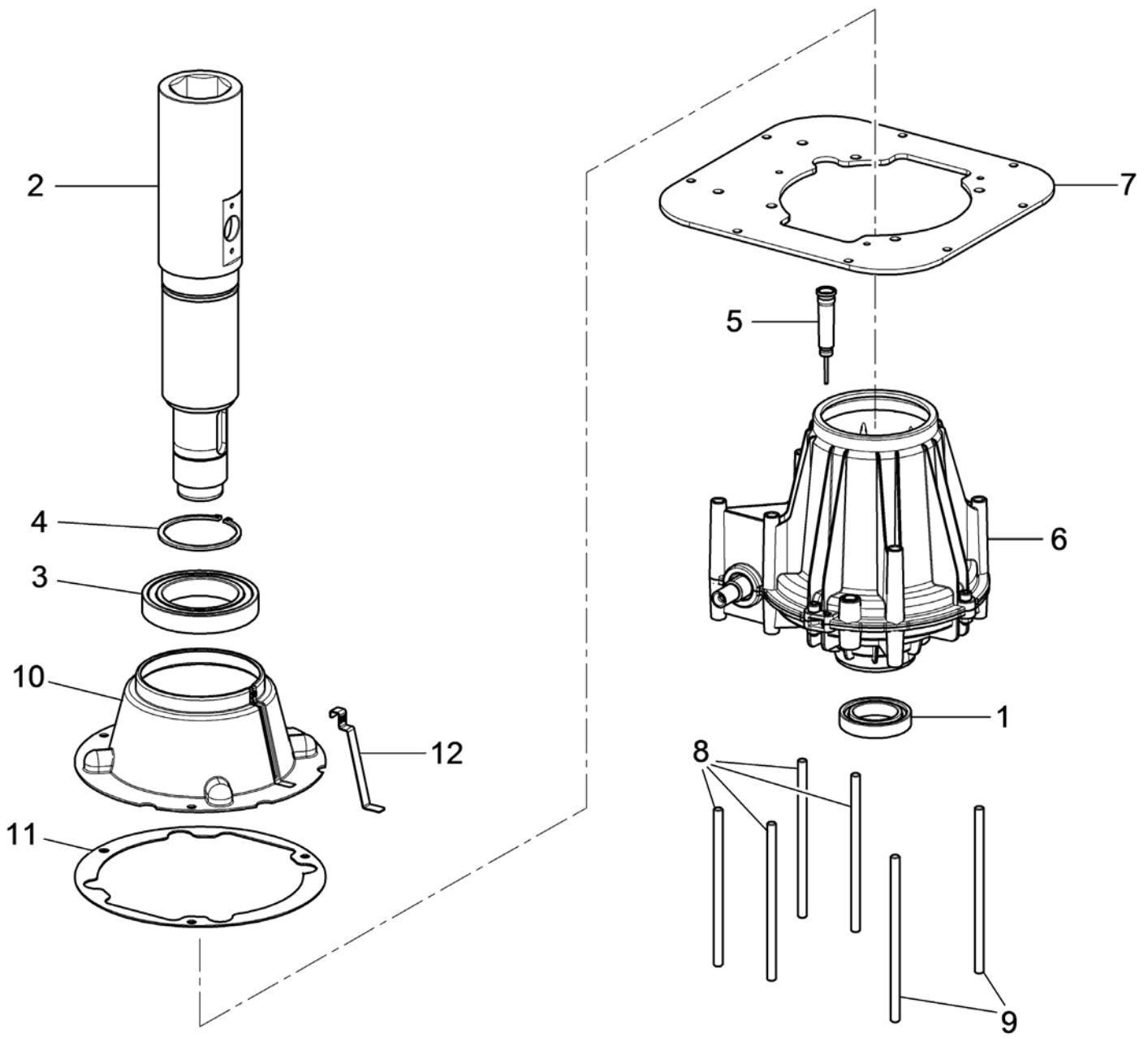


### Inflation Pedal Board Unit

REFER TO NEXT SHEET FOR PARTS DESCRIPTION LISTING

Parts Description Listing

Index No.	Part Number	Description
1	RP6-710810350	Pedal supporting assembly
2	RP6-710090340	3/2 valves
3	RP6-2989001	3-2 valve D.30 pan
4	RP6-299161	Spring
5	RP6-710214880	Pedal assembly
6	RP6-710613150	Pedalboard pin
7	RP6-243005	External seeger 12
8	RP6-0173	Pedal protection plug
9	RP6-299177	Spring

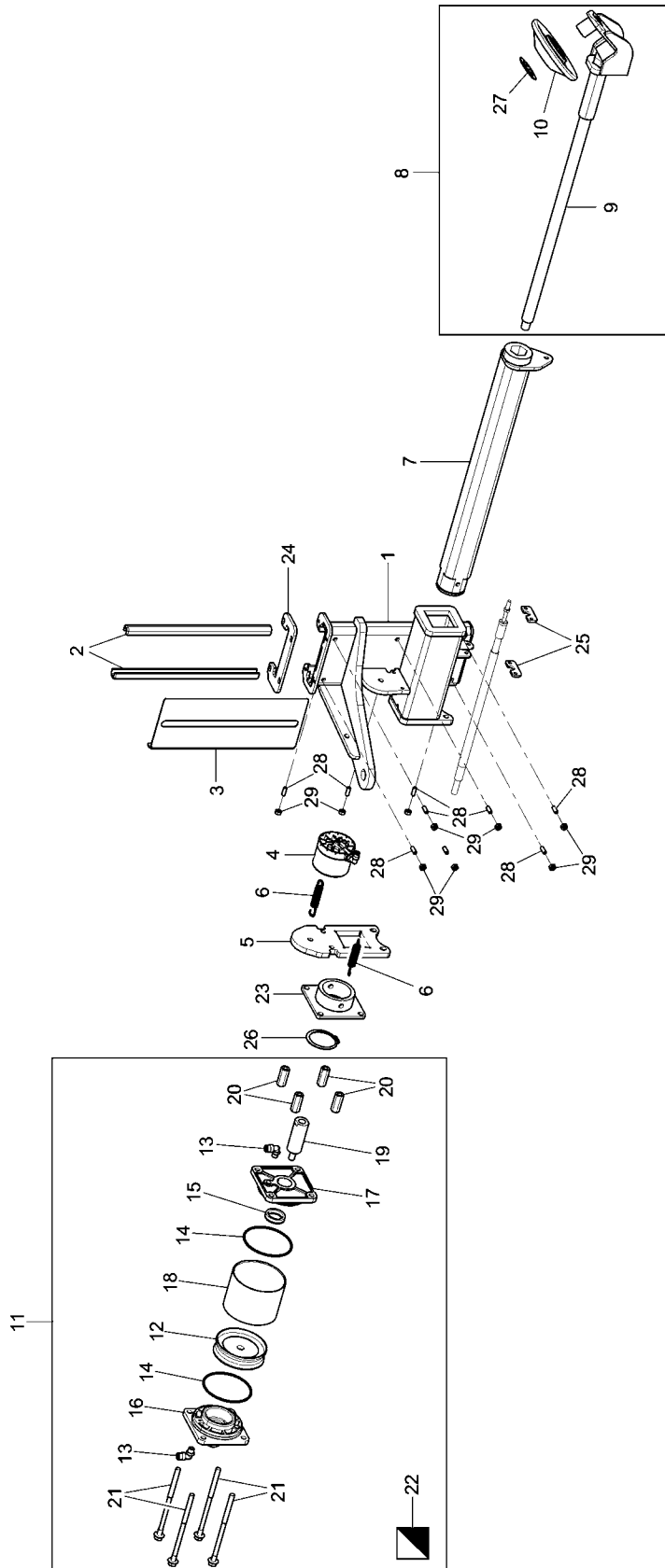


## VSF Reduction Gear Unit

REFER TO NEXT SHEET FOR PARTS DESCRIPTION LISTING

Parts Description Listing

Index No.	Part Number	Description
1	RP6-8574	Bearing
2	RP6-710810500	Reduction gear shaft assembly
3	RP6-605052	Radial bearing
4	RP6-243088	External seeger
5	RP6-140305610	Oil level rod
6	RP6-710891750	Fixed reduction gear
7	RP6-710810820	Reduction gear fixing blade
8	RP6-750315460	Threaded bar M10x190
9	RP6-710514840	Threaded bar M10x195
10	RP6-710413770	Reduction gear cover
11	RP6-710413790	Cover fixing
12	RP6-710413780	Cover closing

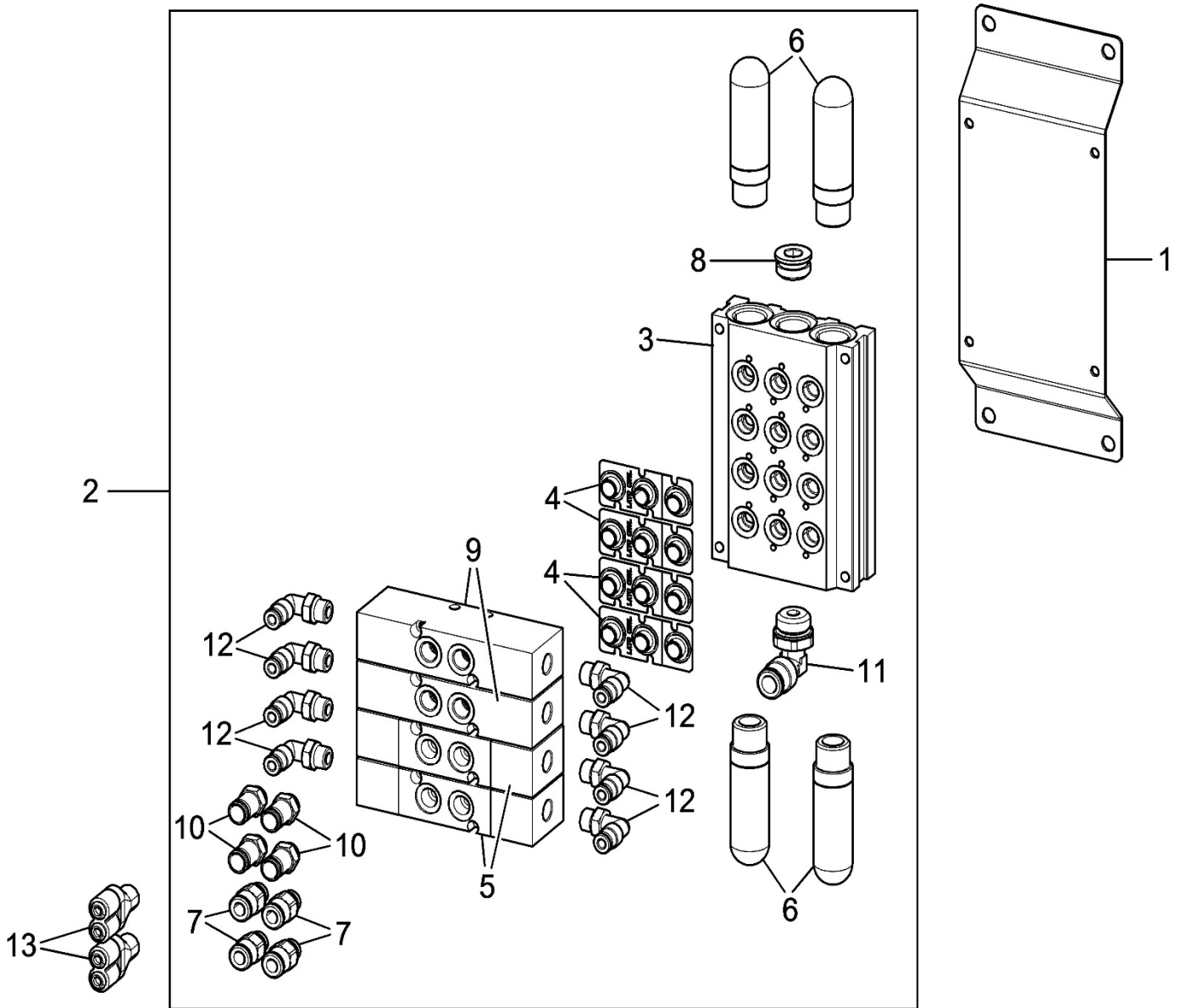


## Lower Roller Assembly

REFER TO NEXT SHEET FOR PARTS DESCRIPTION LISTING

Parts Description Listing

Index No.	Part Number	Description
1	RP6-710811192	Lower carriage unit
2	RP6-770710600	Gib for plate
3	RP6-750614511	Gibs adjusting screw
4	RP6-710690520	Neck cylinder
5	RP6-710811020	Neck
6	RP6-3159 **	SPRING T2 X 13 X 70
7	RP6-710812081	Bead breaker arm assembly
8	RP6-710890230	Arm unit with roll
9	RP6-710812060	Roll support assembly
10	RP6-710090010	Roll
11	RP6-710491140	Pneumatic cylinder unit
12	RP6-321027	Piston
13	RP11-3-00057	QUICK L-SHPD SWVL EXTR.U.1/8X6
14	RP6-401216	OR
15	RP6-GU4740	3710 CYLINDER REBUILD KIT
16	RP6-710112530	Rear flange
17	RP6-710112540	Front flange
18	RP6-710413990	Barrel
19	RP6-710414010	D.25 rod
20	RP6-710416520	M8x35 column
21	RP6-710416530	Cam cylinder tie rod
22	RP6-GU4890	SEAL KIT, TOOLHEAD CYL
23	RP6-710811980	Collar assembly
24	RP6-710815200	Gib retaining blade
25	RP6-710411550	Cable closing plate
26	RP6-243022	External seeger
27	RP6-710010050	Washer for roll
28	RP6-210535	STEI M8x1x16 screw
29	RP6-225036	M8 middle nut



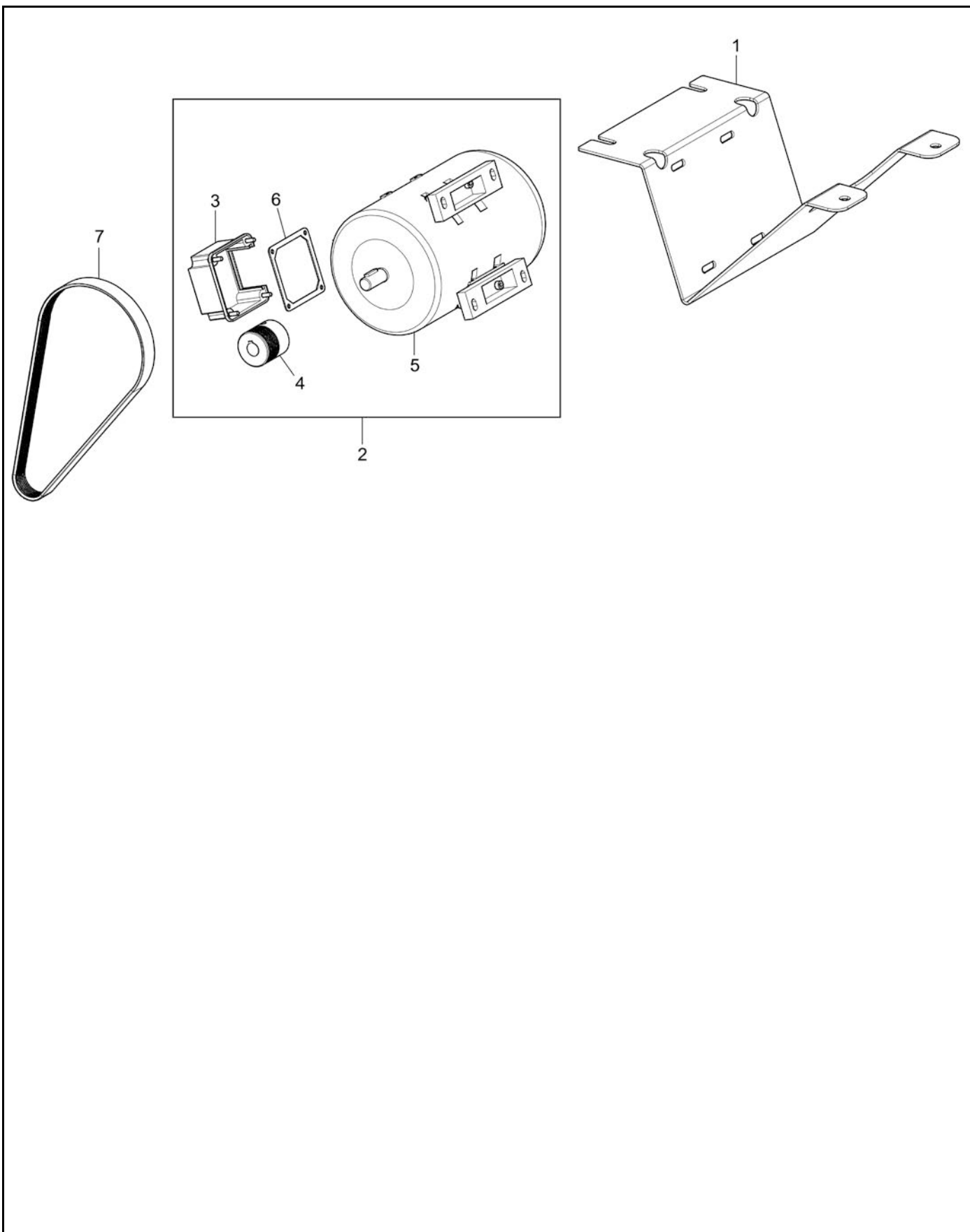
### Pneumatic Valves Unit

REFER TO NEXT SHEET FOR PARTS DESCRIPTION LISTING



Parts Description Listing

Index No.	Part Number	Description
1	RP6-710811670	Valve support blade
2	RP6-710814220	Base with valves
3	RP6-710870010	Conveyor
4	RP6-710870040	Gasket
5	RP6-710870030	Valve
6	RP6-399334	Silencer
7	RP6-325248	6 1/8 straight fitting
8	RP6-311122	Cap
9	RP6-710870020	Valve
10	RP6-325110	Fitting
11	RP6-325247	8 3/8 rotating L-shaped fitting
12	RP6-2002	4-1/8 union at 90°
13	145-318-2	FITTING-5/32 Y

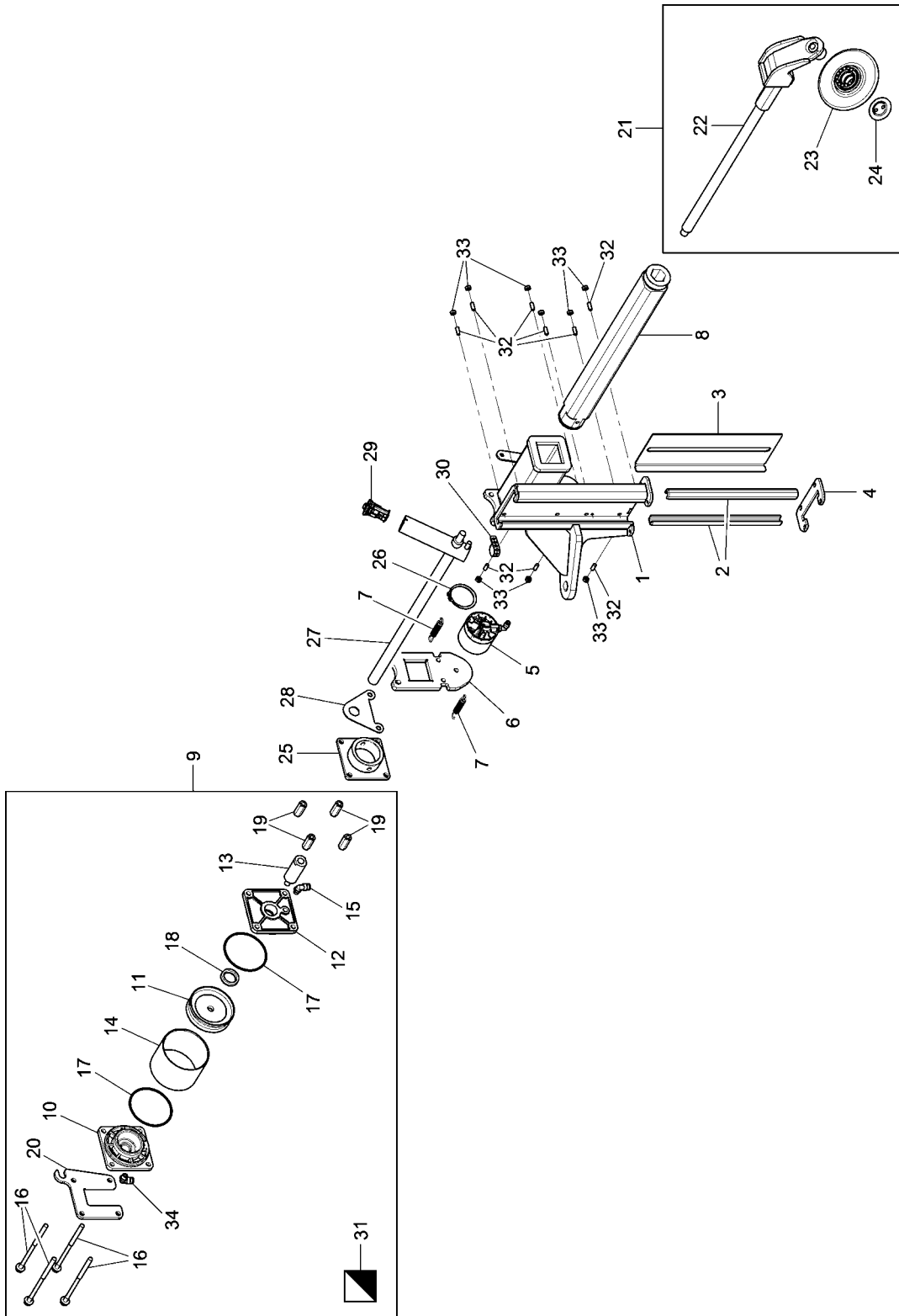


### Motor Assembly

REFER TO NEXT SHEET FOR PARTS DESCRIPTION LISTING

Parts Description Listing

Index No.	Part Number	Description
1	RP6-710811720	Motor support blade
2	RP6-710890650	Motor unit with pulley
3	RP6-900071180	Termination box cover
4	RP6-730011130	Pulley
5	RP6-900004810	0,75 kW motor
6	RP6-900071190	Gasket
7	RP6-4035	Belt (P260/660J)

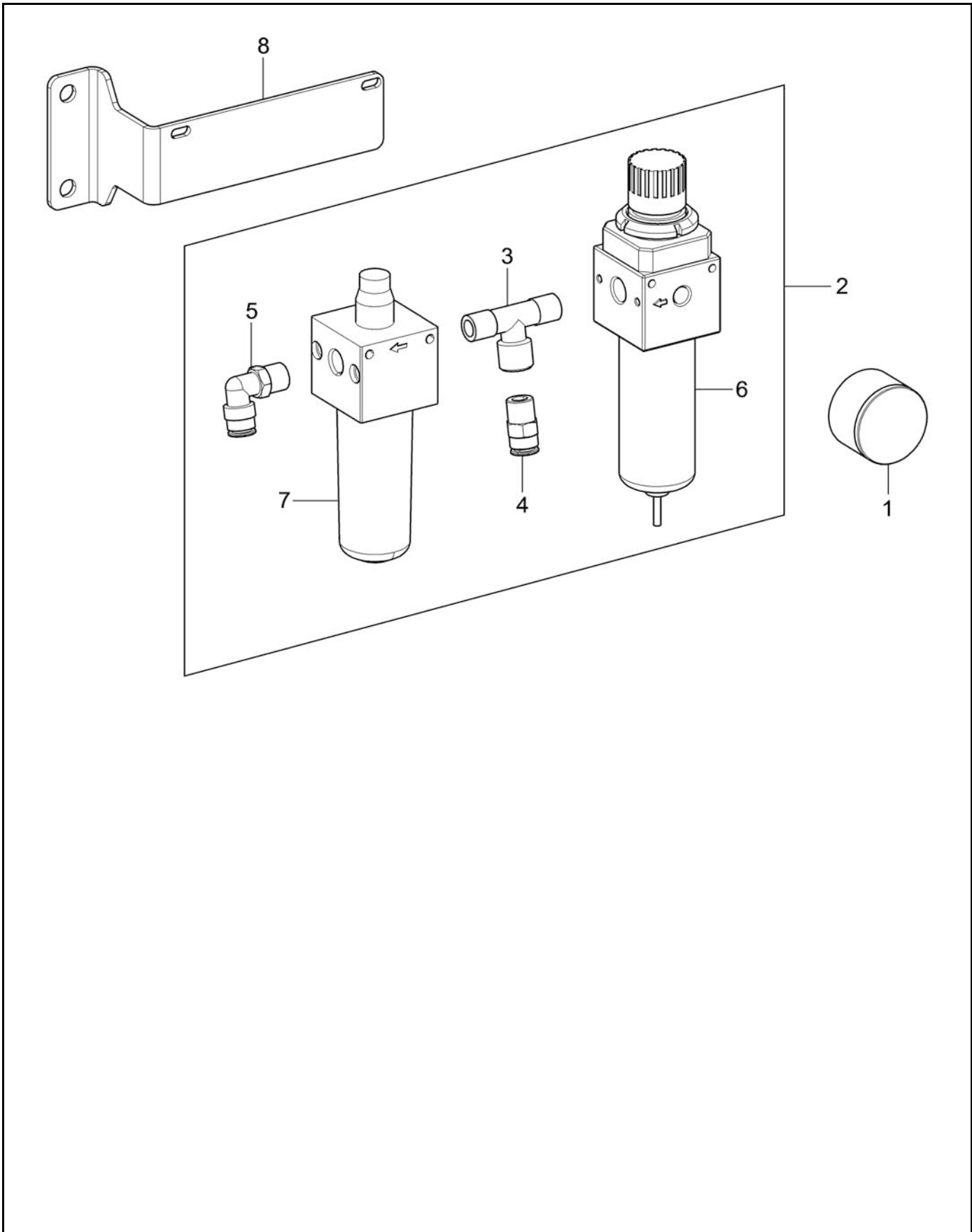


## Upper Roller Assembly

REFER TO NEXT SHEET FOR PARTS DESCRIPTION LISTING

Parts Description Listing

Index No.	Part Number	Description
1	RP6-710810922	Upper carriage unit
2	RP6-770710600	Gib for plate
3	RP6-750614511	Gibs adjusting screw
4	RP6-710815200	Gib retaining blade
5	RP6-710690520	Neck cylinder
6	RP6-710811020	Neck
7	RP6-3159 **	SPRING T2 X 13 X 70
8	RP6-710812011	Bead breaker arm assembly
9	RP6-710890220	Cylinder unit
10	RP6-710112530	Rear flange
11	RP6-321027	Piston
12	RP6-710112540	Front flange
13	RP6-710414010	D.25 rod
14	RP6-710413990	Barrel
15	RP11-3-00057	QUICK L-SHPD SWVL EXTR.U.1/8X6
16	RP6-710811140	M8 tie rod assembly
17	RP6-401216	OR
18	RP6-GU4740	3710 CYLINDER REBUILD KIT
19	RP6-710416520	M8x35 column
20	RP6-710811130	Plate for bottom
21	RP6-710890230	Arm unit with roll
22	RP6-710812060	Roll support assembly
23	RP6-710090010	Roll
24	RP6-710010050	Washer for roll
25	RP6-710811980	Insieme collare
26	RP6-243022	External seeger
27	RP6-710812270	Pipe assembly with handle
28	RP6-710814070	Guide plate
29	RP6-710590800	NA Valve
30	RP6-5717	Hose clamp
31	RP6-GU4890	SEAL KIT, TOOLHEAD CYL
32	RP6-210535	STEI M8x1x16 screw
33	RP6-225036	M8 middle nut
34	RP6-325017	6-1/8 union at 90°

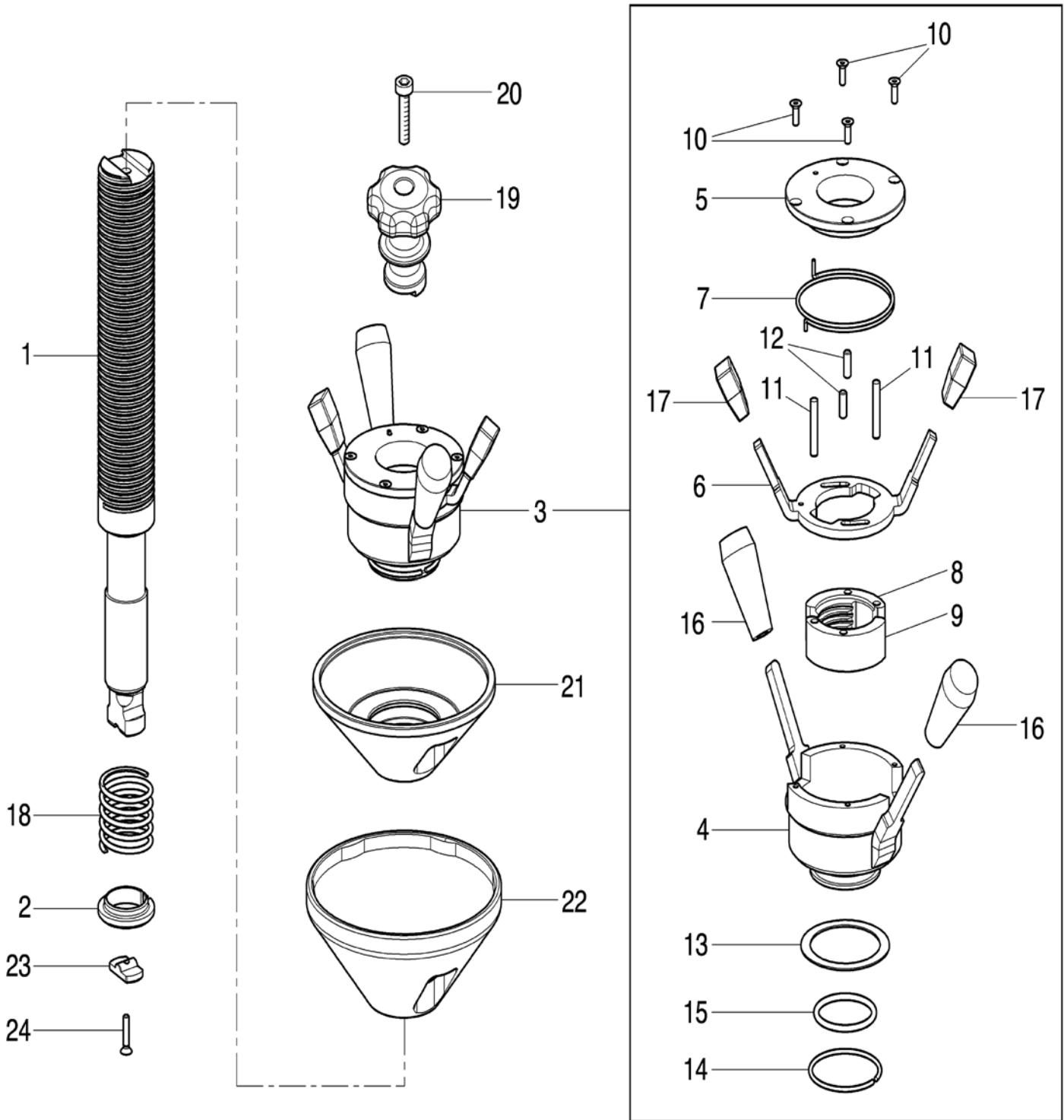


### Air Treatment Unit

REFER TO NEXT SHEET FOR PARTS DESCRIPTION LISTING

Parts Description Listing

Index No.	Part Number	Description
1	RP6-0141	GAUGE
2	RP6-710290850	CONDITIONING UNIT
3	RP6-0201	CONNECTION 8 - 1/4IN
4	RP6-325016	Fixed union
5	RP6-325118	Rotary union
6	RP6-7203	REGULATOR/FILTER UNIT
7	RP6-8985	C series lubricator
8	RP6-710814120	Support



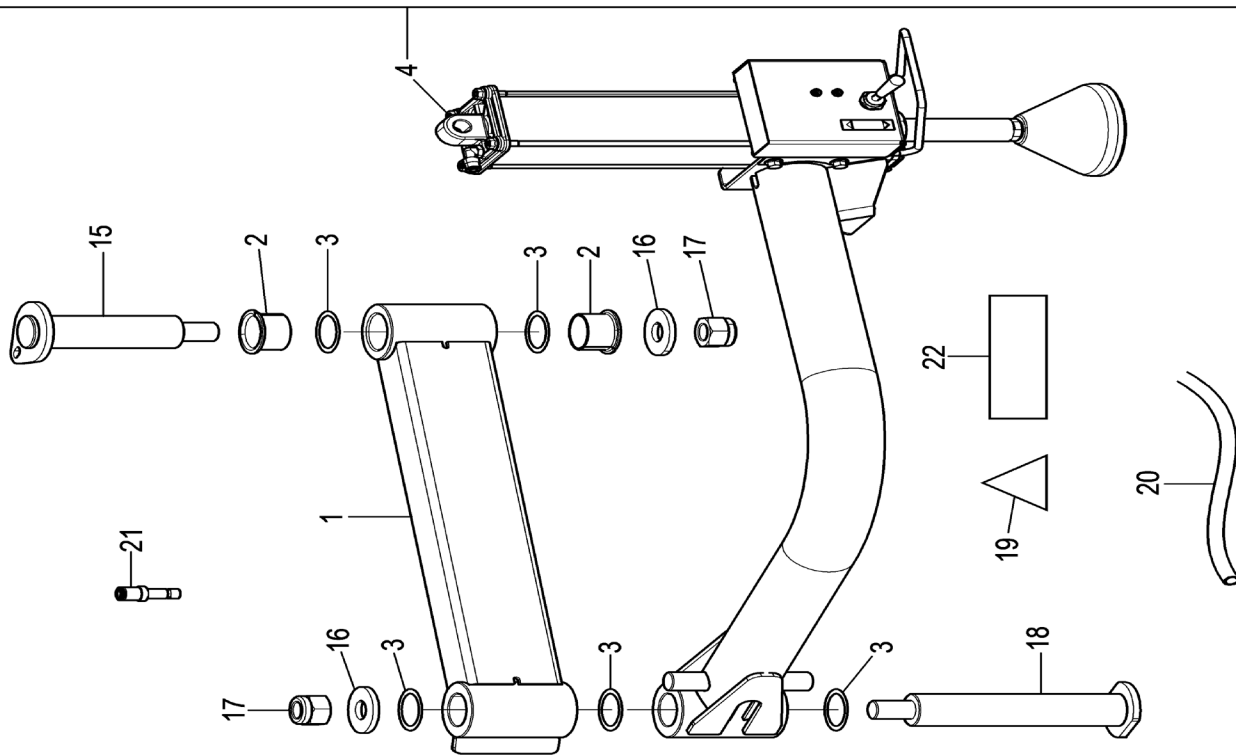
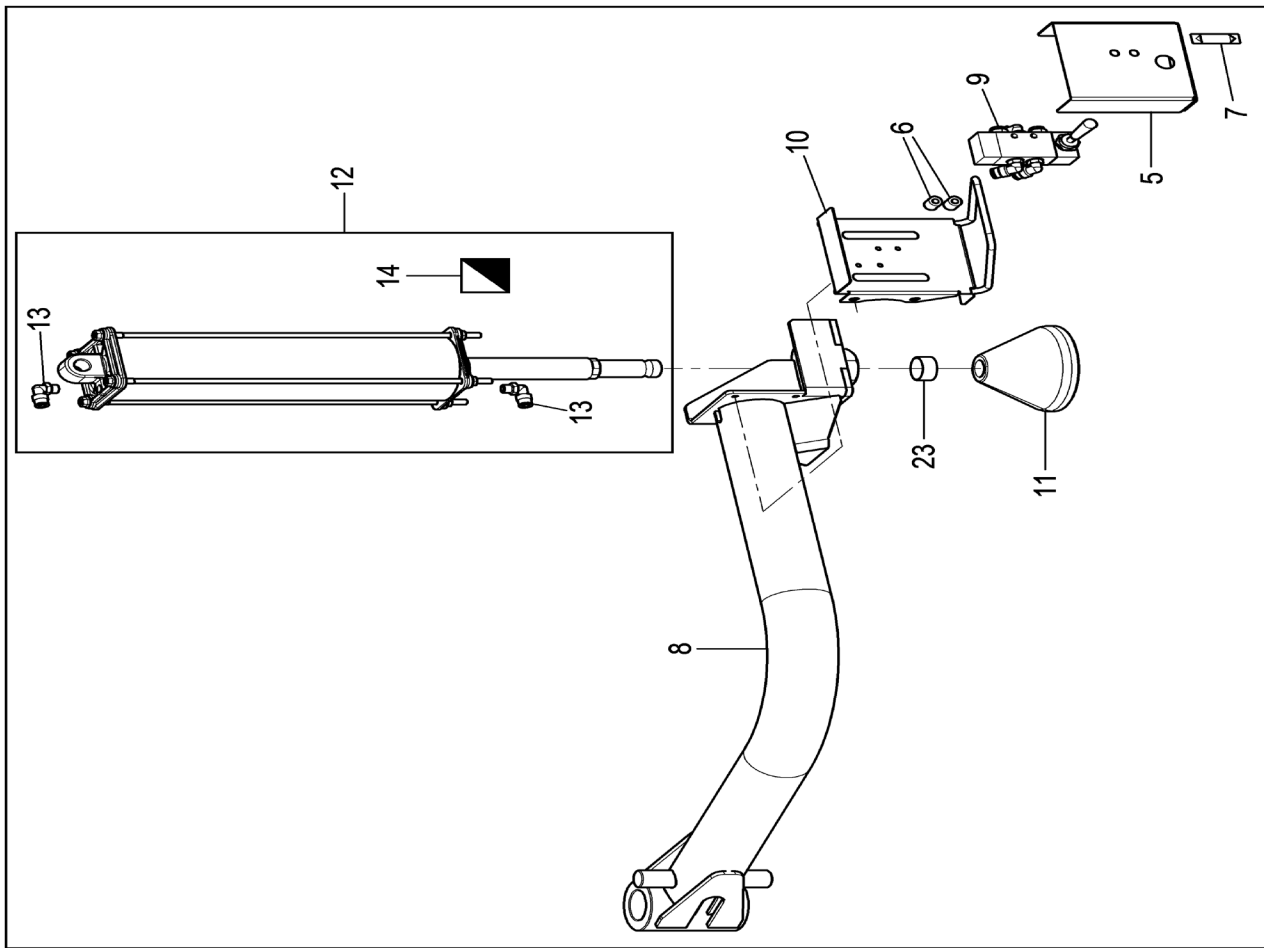
### Locking Shaft Unit

REFER TO NEXT SHEET FOR PARTS DESCRIPTION LISTING



Parts Description Listing

Index No.	Part Number	Description
1	RP6-730022710	D.40 locking shaft
2	RP6-710013670	Bearing for spring
3	RP6-710090830	Locking ring nut
4	RP6-129580660	Ring nut body
5	RP6-129580670	ring nut cover
6	RP6-129580680	ring nut cam
7	RP6-129580690	ring nut spring
8	RP6-129580700	Lh threaded half-bushing
9	RP6-129580710	Rh threaded half-bushing
10	RP6-209160	TSPEI M4x12 screw
11	RP6-234111	5x32 cylindrical pin
12	RP6-234174	5x14 cylindrical pin
13	RP6-237549	Thickness washer
14	RP6-243702	Ring 50
15	RP6-401061	OR
16	RP6-903120	D.8 pressure knob
17	RP6-903133	Handle
18	RP6-918007	CMP spring
19	RP6-710816750	Knob
20	RP6-1894	BOLT M8X25 UNI
21	RP6-710013650	Cone for shaft
22	RP6-1156	Cone guard
23	RP6-710412130	Pad
24	RP6-209226	TSPEI M40x20 screw

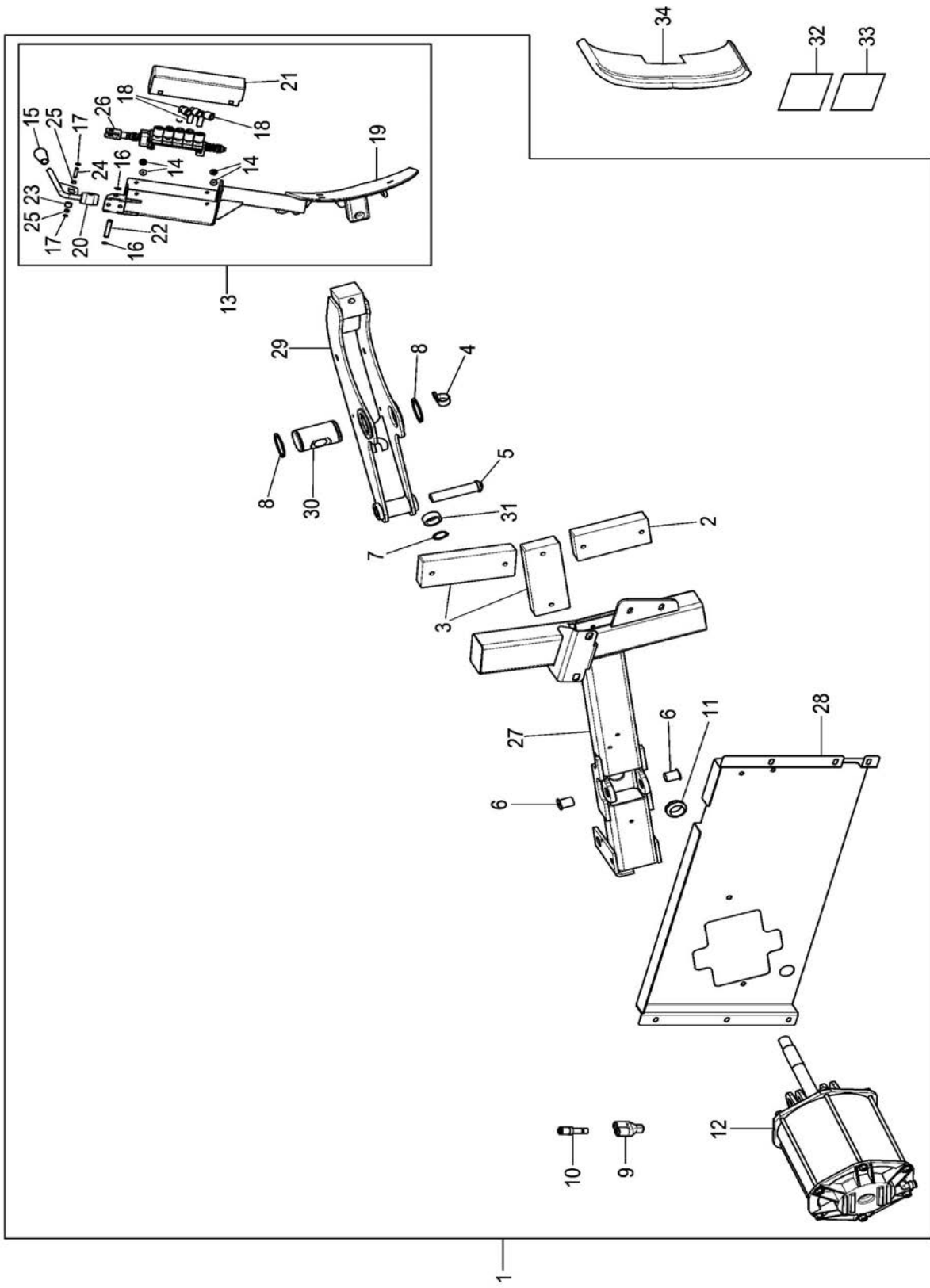


## Pneumatic Bead Depressor Unit

REFER TO NEXT SHEET FOR PARTS DESCRIPTION LISTING

Parts Description Listing

Index No.	Part Number	Description
1	RP6-710816300	Short arm assembly
2	RP6-630087	PGB bushing
3	RP6-237542	Shim adjusting ring
4	RP6-710891301	Bent arm unit with cylinder
5	RP6-770711860	Valve guard
6	RP6-770711870	Spacer for valve
7	RP6-999914700	Bead depressing controls plate
8	RP6-770711370	Bent arm
9	RP6-770790020	Cylinder control valve
10	RP6-770711570	Valve support
11	RP6-140820500	Pusher cone
12	RP6-710891760	D.70 pneumatic cylinder
13	RP11-3-00057	QUICK L-SHPD SWVL EXTR.U.1/8X6
14	RP6-U5060	Cylinder gasket kit D.70
15	RP6-710812320	Pin assembly with washer
16	RP6-710814190	Washer
17	RP6-228026	M20 self-locking nut
18	RP6-770711490	Pin with washer
19	RP6-2166	Bead breaker hand danger indicating plate
20	RP6-710891050	Pipes kit
21	RP6-325054	8-6 reduction
22	RP6-999923960	Bead press arm plus plate
23	RP6-630036	Self-lubricating bushing

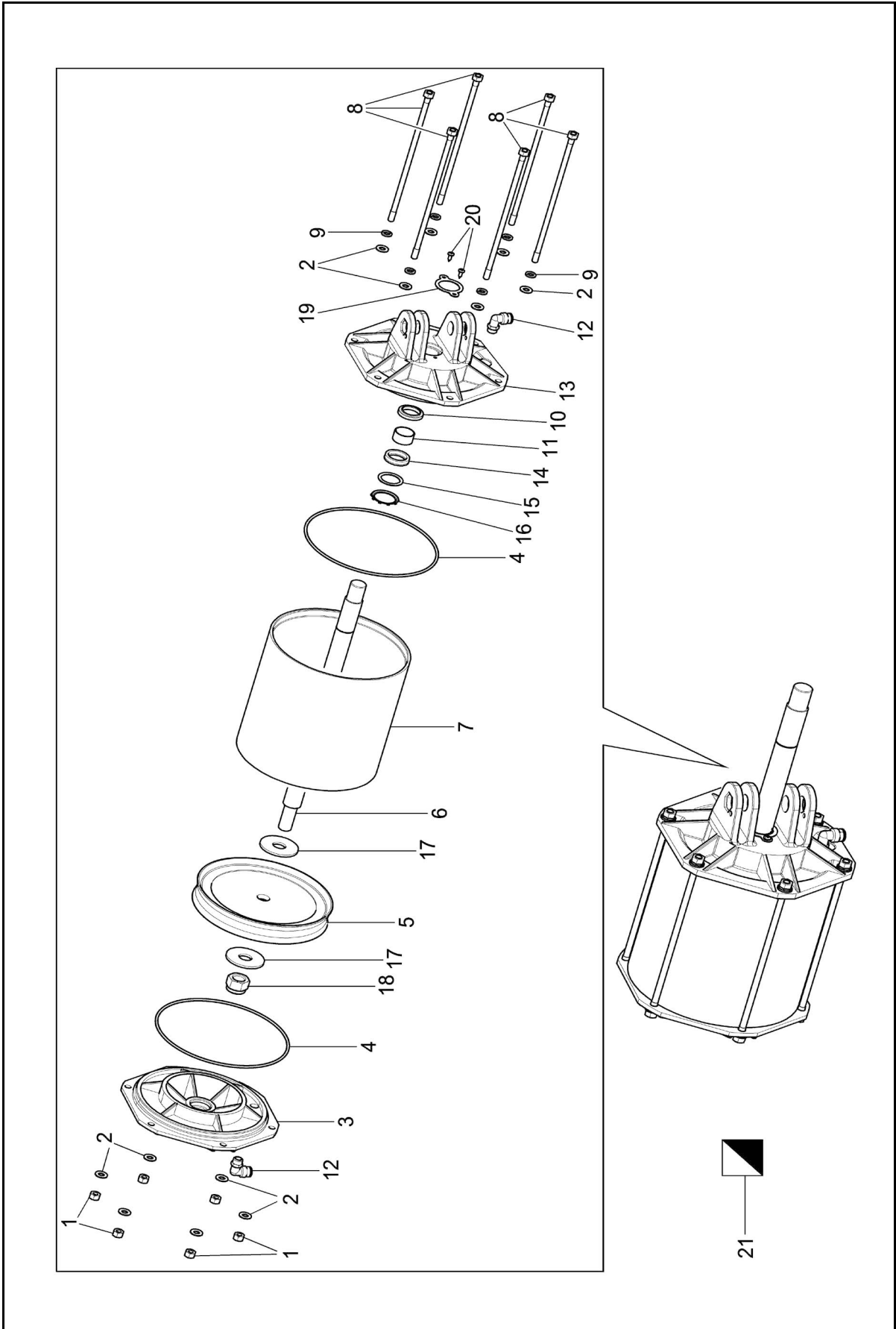


### Side Shovel Assembly

REFER TO NEXT SHEET FOR PARTS DESCRIPTION LISTING

Parts Description Listing

Index No.	Part Number	Description
1	RP6-710890600	Bead breaker unit on ground level+control
2	RP6-0381	Rubber bearing
3	RP6-0659	Long rubber bearing
4	RP6-6131	Clips series cx 21
5	RP6-140320430	Arm fulcrum pin
6	RP6-140920361	Cylinder fulcrum pin
7	RP6-0255	C-CLIP RING D.25
8	RP6-243022	External seeger
9	RP6-325181	V8 union
10	RP6-325218	10x8 reduction
11	RP6-599418	Rubber-made fairlead
12	RP6-710290370	Bead breaking fulcrum-type cylinder
13	RP6-710291271	Vane unit with control
14	RP6-3163	Motherscrew
15	RP6-6283	Knob
16	RP6-243002	External seeger 8
17	RP6-299042	D.4 stopper ring
18	RP6-325225	D.10 L rapid union
19	RP6-710212462	Vane unit
20	RP6-710212602	Handle control assembly
21	RP6-710212650	Guard
22	RP6-710212660	Pin for handle
23	RP6-710216240	Wheel
24	RP6-710212670	PWROUT FORK SHAFT
25	RP6-710216260	Bushing for fork
26	RP6-710291280	Valve Powerout
27	RP6-710813990	Bead breaker beam assembly
28	RP6-710814390	Casing for bead breaker
29	RP6-790090700	Bead breaker arm
30	RP6-730019810	Fulcrum pin
31	RP6-790012770	Spacer
32	RP6-128-504-2	Decal-do not break bead with air pressure in tire
33	RP6-128-505-2	Decal-keep arms and legs clear of bead breaker
34	RP6-G800A11	SHOVEL PROTECTOR

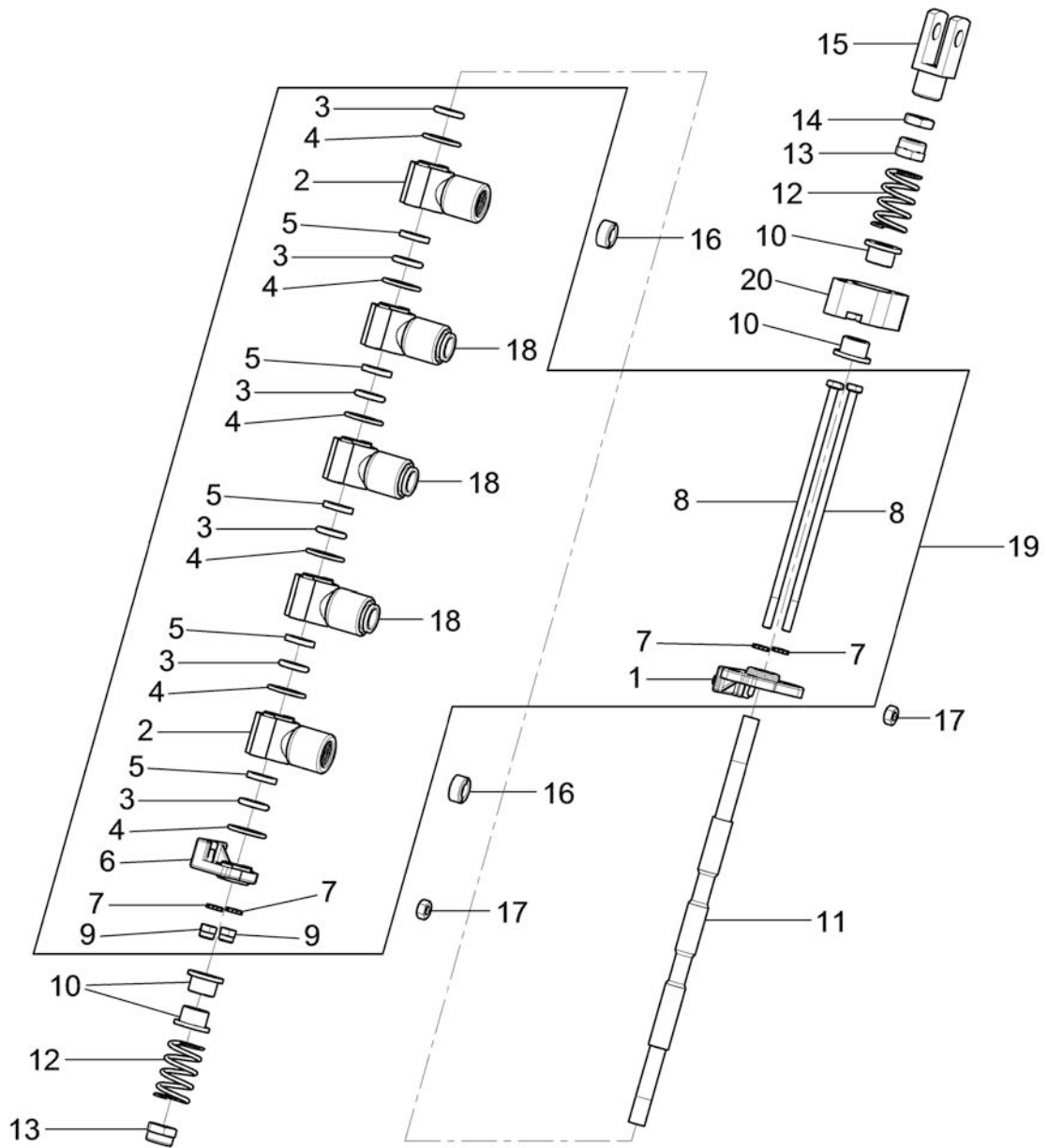


**Bead Breaking Fulcrum-Type Cylinder**

REFER TO NEXT SHEET FOR PARTS DESCRIPTION LISTING

Parts Description Listing

Index No.	Part Number	Description
1	RP6-0257	M8 HIGH NUT
2	RP6-0249	WASHER D.8.4
3	RP6-140920550	Rear flange
4	RP6-GU4740	3710 CYLINDER REBUILD KIT
5	RP6-GU4740	3710 CYLINDER REBUILD KIT
6	RP6-710210120	Bead breaker cylinder rod
7	RP6-140920041	Cylinder bead-breaker barrel
8	RP6-140920062	M8 tie rod
9	RP6-238006	8,4 elastic washer
10	RP6-GU4740	3710 CYLINDER REBUILD KIT
11	RP6-630036	Self-lubricating bushing
12	RP6-325107	L rotary union
13	RP6-140920541	Front flange for rod
14	RP6-GU4740	3710 CYLINDER REBUILD KIT
15	RP6-140926220	Gasket washer
16	RP6-299156	Seeger for hole
17	RP6-140920380	D.54x18x4 washer
18	RP6-228020	18x1,5 selflocking nut
19	RP6-140912061	Plate
20	RP6-220063	TCB M4,2x13 screw
21	RP6-GU4740	3710 CYLINDER REBUILD KIT



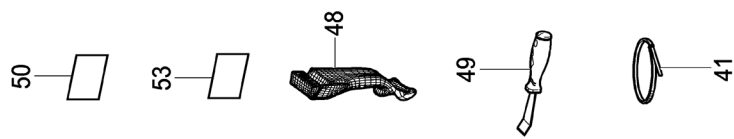
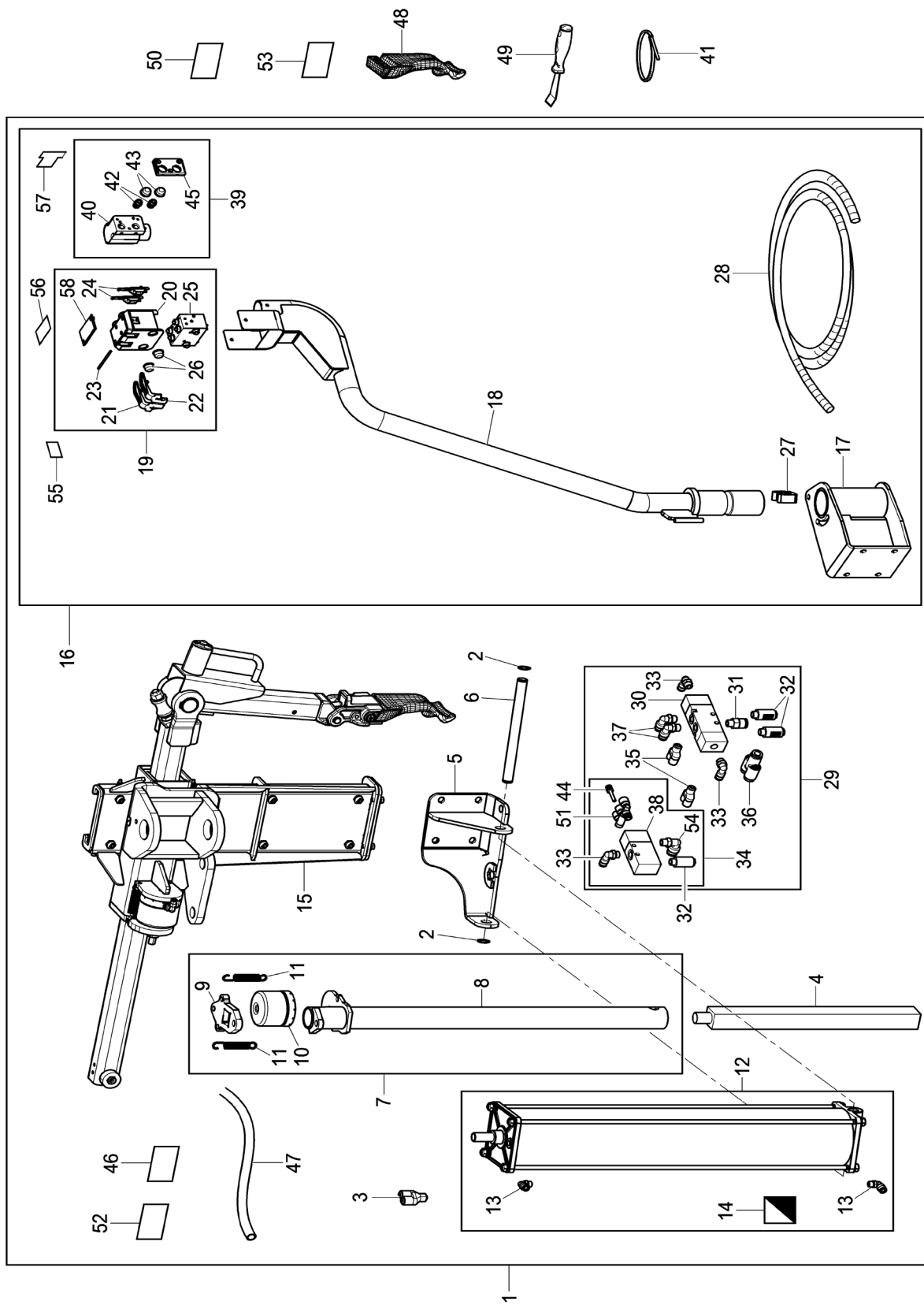
### Valve Group

REFER TO NEXT SHEET FOR PARTS DESCRIPTION LISTING



**Parts Description Listing**

<b>Index No.</b>	<b>Part Number</b>	<b>Description</b>
1	RP6-730015470	Front bottom
2	RP6-730015460	1/4 module valve
3	RP6-401251	OR
4	RP6-401091	OR 2062
5	RP6-730016030	Washer
6	RP6-730015480	Rear bottom
7	RP6-239018	4,3 toothed washer
8	RP6-3053	M4 tie rod
9	RP6-0822	M4 SELF-LOCKING NUT
10	RP6-710212561	Bushing
11	RP6-710212550	D.10 spool
12	RP6-710212710	CMP spring
13	RP6-228017	M8x1,25 self-locking low nut
14	RP6-226009	M8 low nut
15	RP6-0734	M8x16 fork
16	RP6-399301	1/4" silencer
17	RP6-0964	NUT M5
18	RP6-730091860	D.10 cartridge module unit
19	RP6-730092200	PRMTG 3M Ø10 + 2M 1/4
20	RP6-710216800	Spacer



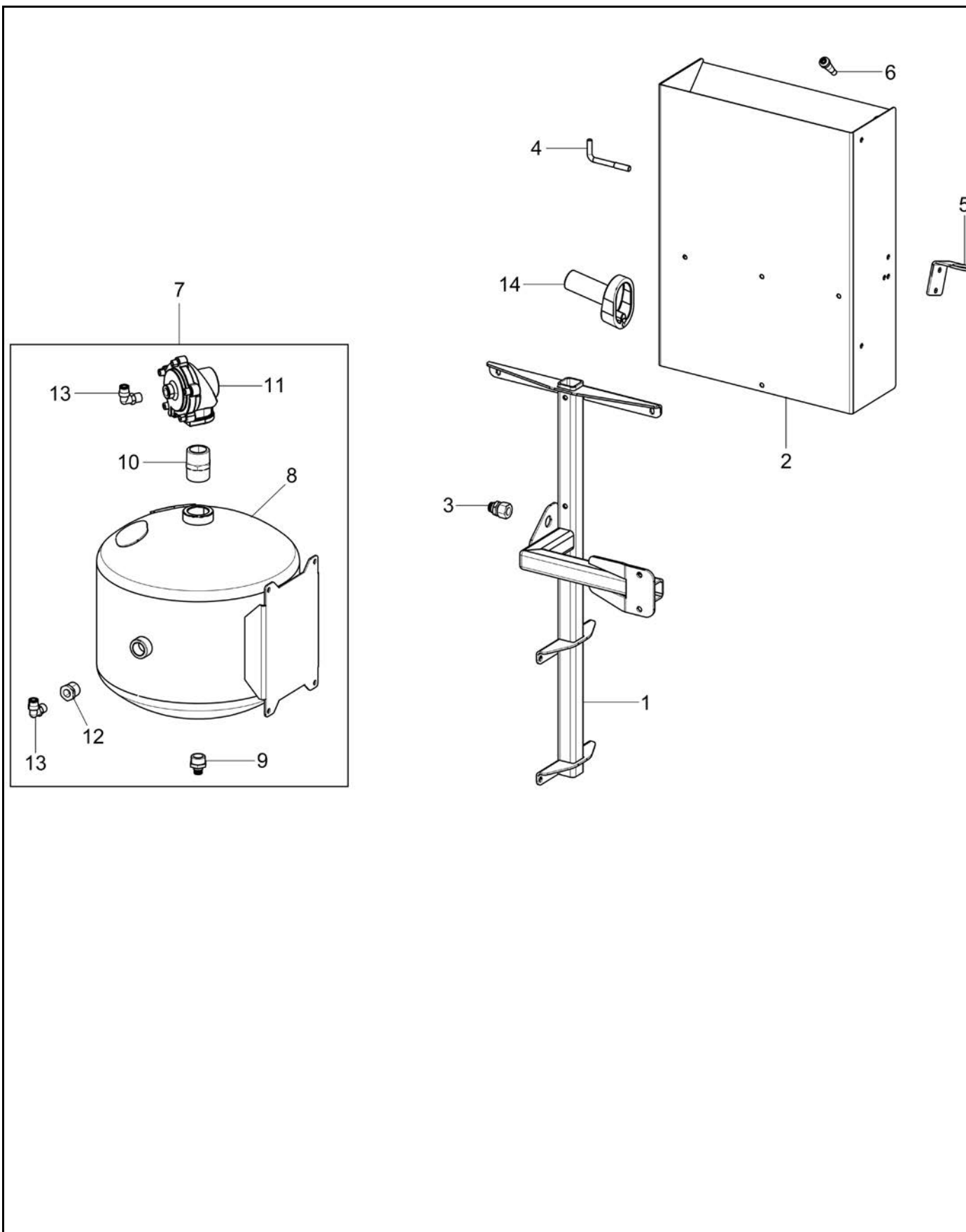
### Standard Levered Head Kit

REFER TO NEXT SHEET FOR PARTS DESCRIPTION LISTING

## Parts Description Listing

Index No.	Part Number	Description
1	RP6-710890675	Kit lever less
2	RP6-243008	External seeger 16
3	RP6-315181	Y 8 fitting
4	RP6-710812600	Squared shaft for neck
5	RP6-710813780	Cylinder bracket assembly
6	RP6-710814160	Pin
7	RP6-710890460	Neck guide unit
8	RP6-710812540	Neck guide assembly
9	RP6-710213640	Neck
10	RP6-710690520	Neck cylinder
11	RP6-3159 **	SPRING T2 X 13 X 70
12	RP6-710890470	D.100 pneumatic cylinder
13	RP11-3-00057	QUICK L-SHPD SWVL EXTR.U.1/8X6
14	RP6-GU5050	Cylinder gasket kit D.100
15	RP6-710890482	Tool carriage unit
16	RP6-710891730	Controls pipe kit
17	RP6-710811340	Control pipe support assembly
18	RP6-710813850	Control pipe assembly
19	RP6-710891720	Control box unit
20	RP6-710216950	Drilled box
21	RP6-710891700	LH lever unit
22	RP6-710891710	RH lever unit
23	RP6-0190	Pin for lever
24	RP6-4172	Lever positioner
25	RP6-710292810	Control valve unit
26	RP6-710216960	Push button
27	RP6-3745	BRUSH CLIP KIT
28	RP6-599442	Sheath
29	RP6-710890722	Tool control valve unit
30	RP6-710670011	5/3 - G1/8 - G 1/4 valve
31	RP6-325015	8-1/8' straight fitting
32	RP6-399066	Silencer
33	RP6-325130	L-shaped rotating fitting
34	RP6-710891250	Valve group
35	145-318-2	FITTING-5/32 Y
36	RP6-325181	Y8 fitting

Index No.	Part Number	Description
37	RP11-3-00057	QUICK L-SHPD SWVL EXTR.U.1/8X6
38	RP6-6088	Valve
39	RP6-710890731	Control valve unit
40	RP6-710814361	Valve body
41	RP6-0178	3.6x142 clamp
42	RP6-2391	Microvalve kit
43	RP6-710216960	Push button
44	RP6-0325154	Cap fitting
45	RP6-710814371	Plug for valve
46	RP6-128-1194-2	Decal-attention TCA arm
47	RP6-710891040	Pipes kit
48	RP6-1000A142	Projecting spoke upper tool
49	RP6-710217650	Weight-removing shovel
50	RP6-128-1750-2	TC39 plate
51	RP6-710590810	OR valve
52	RP6-128-435-2	Decal-remove clip-on weights
53	RP6-P6-999923160	Decal-warning Prop 65
54	RP6-0325202	Rotating L-shaped fitting
55	RP6-P6-999923950	Decal-indent
56	RP6-P6-999923990	Decal-roller
57	RP6-P6-999923940	Decal-tool head
58	RP6-710816610	Plate

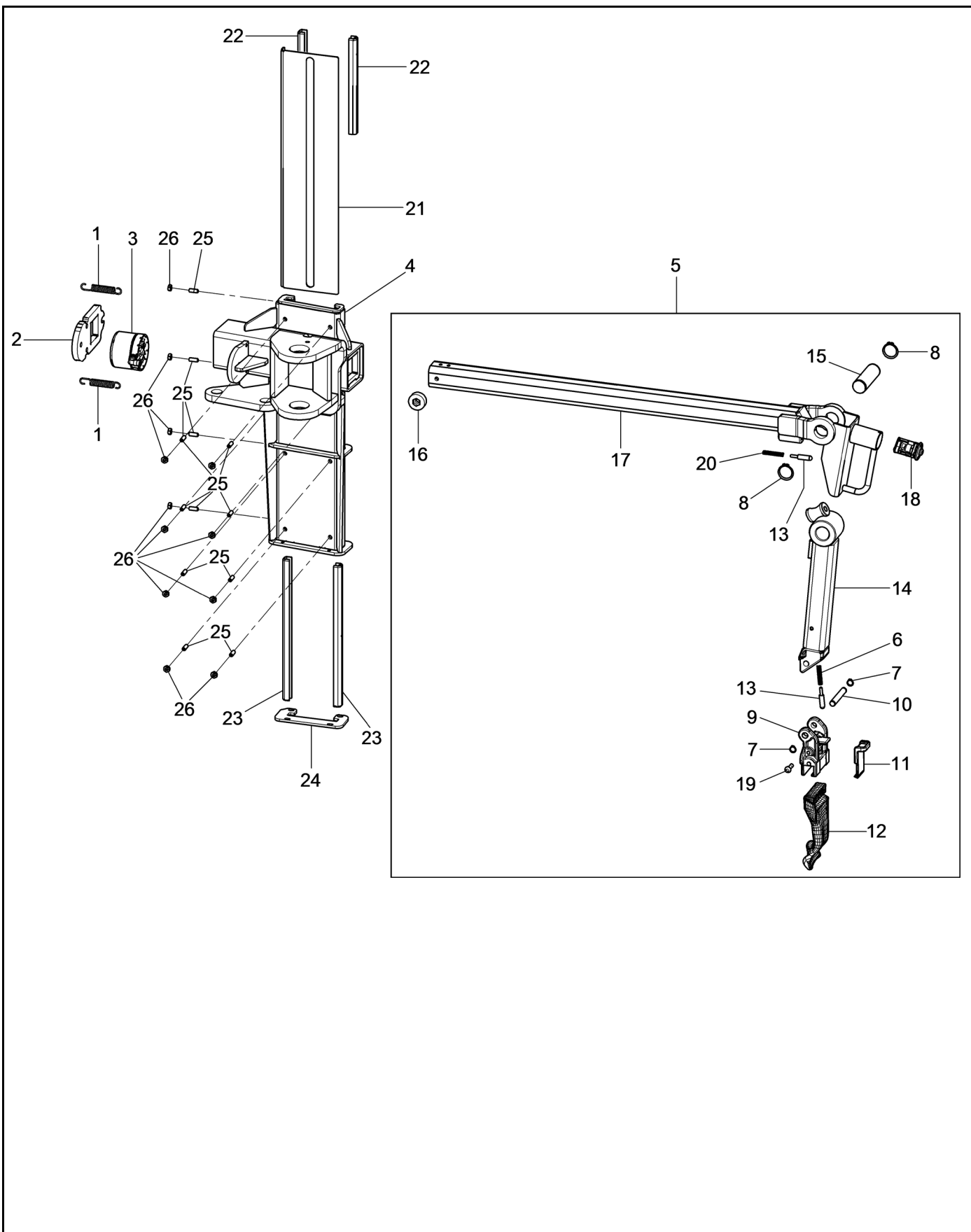


## Storage and Blast Tank

REFER TO NEXT SHEET FOR PARTS DESCRIPTION LISTING

**Parts Description Listing**

<b>Index No.</b>	<b>Part Number</b>	<b>Description</b>
1	RP6-710816180	Bowl support assembly
2	RP6-710814351	Lateral bowl assembly
3	RP6-3138	8-1/4" wall through bolt
4	RP6-710013660	Hook
5	RP6-710814180	Support
6	RP6-7204	TIRE VALVE
7	RP6-790090150	Tank unit
8	RP6-790010750	ASME tank
9	RP6-1175900	1/2" Release cock
10	RP6-1202700	M-M1" nipple union
11	RP6-309095	Blow valve
12	RP6-0477	REDUCTION CONNECTOR 1/2 - 1/4
13	RP6-325031	Rotary union
14	RP6-129311670	Stake

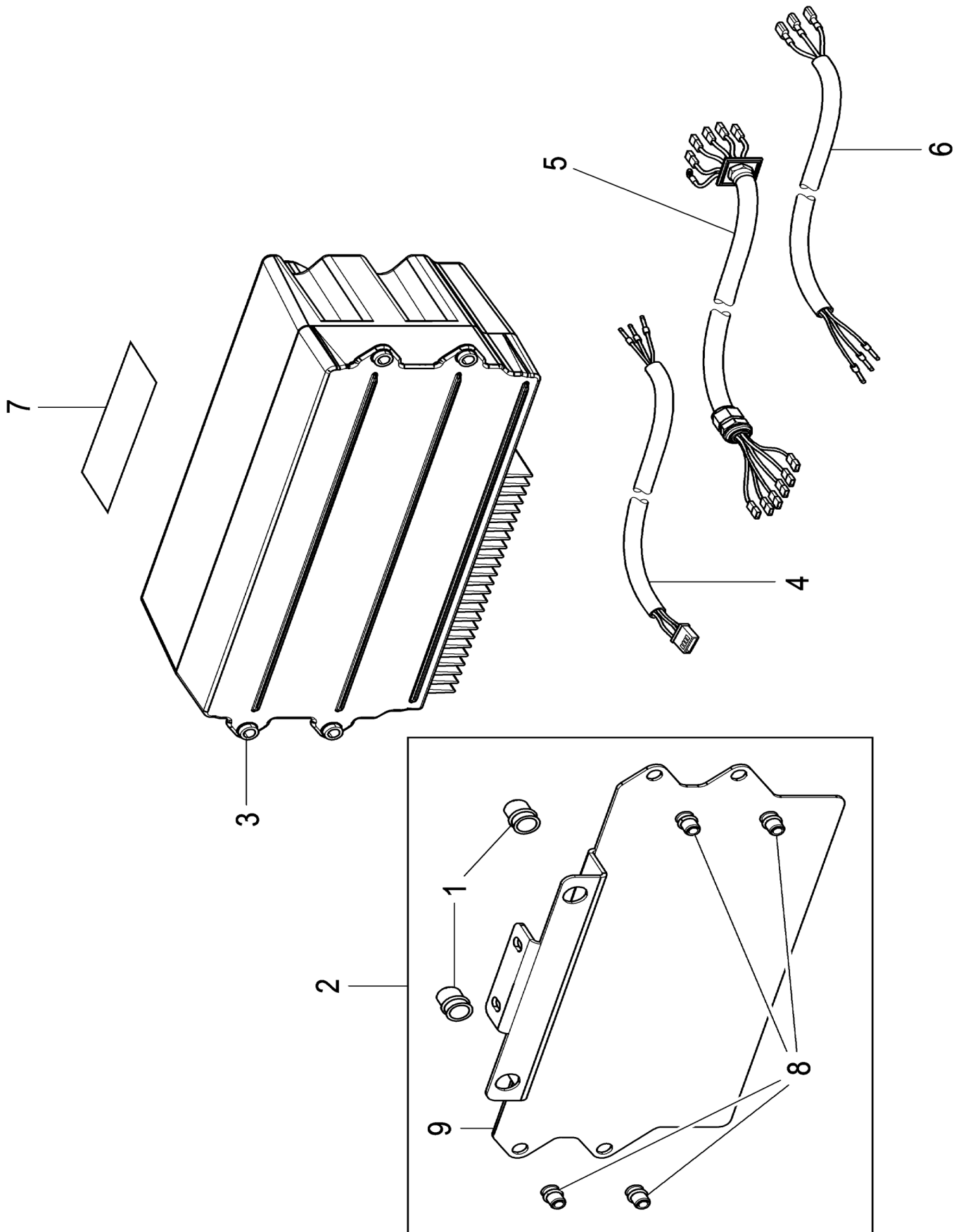


## Tool Carriage Assembly

REFER TO NEXT SHEET FOR PARTS DESCRIPTION LISTING

Parts Description Listing

Index No.	Part Number	Description
1	RP6-3159 **	SPRING T2 X 13 X 70
2	RP6-710510091	Neck cam
3	RP6-710690520	Neck cylinder
4	RP6-710812383	Tool carriage assembly
5	RP6-710891011	Tool arm unit
6	RP6-4046	0,8x7x35 Zn C spring
7	RP6-243003	External seeger 10
8	RP6-0255	C-CLIP RING D.25
9	RP6-710113900	Tool support
10	RP6-710011780	Pin for fulcrum
11	RP6-710013190	Tool support guard
12	RP6-710014120	Tool Head
13	RP6-710111260	Push rod for spring
14	RP6-710111351	Vertical arm
15	RP6-710112380	Pin
16	RP6-13830247	Pad
17	RP6-710514202	Upper tool arm
18	RP6-710590800	NA Valve
19	RP6-270021	TCB M8x20 bolt
20	RP6-918010	1x6,8x37x13 CMP spring
21	RP6-730023240	Gibs support plate
22	RP6-730023250	Gib
23	RP6-770710600	Gib for plate
24	RP6-710815200	Gib retaining blade
25	RP6-210535	STEI M8x1x16 bolt
26	RP6-227036	M8 low hexagonal nut



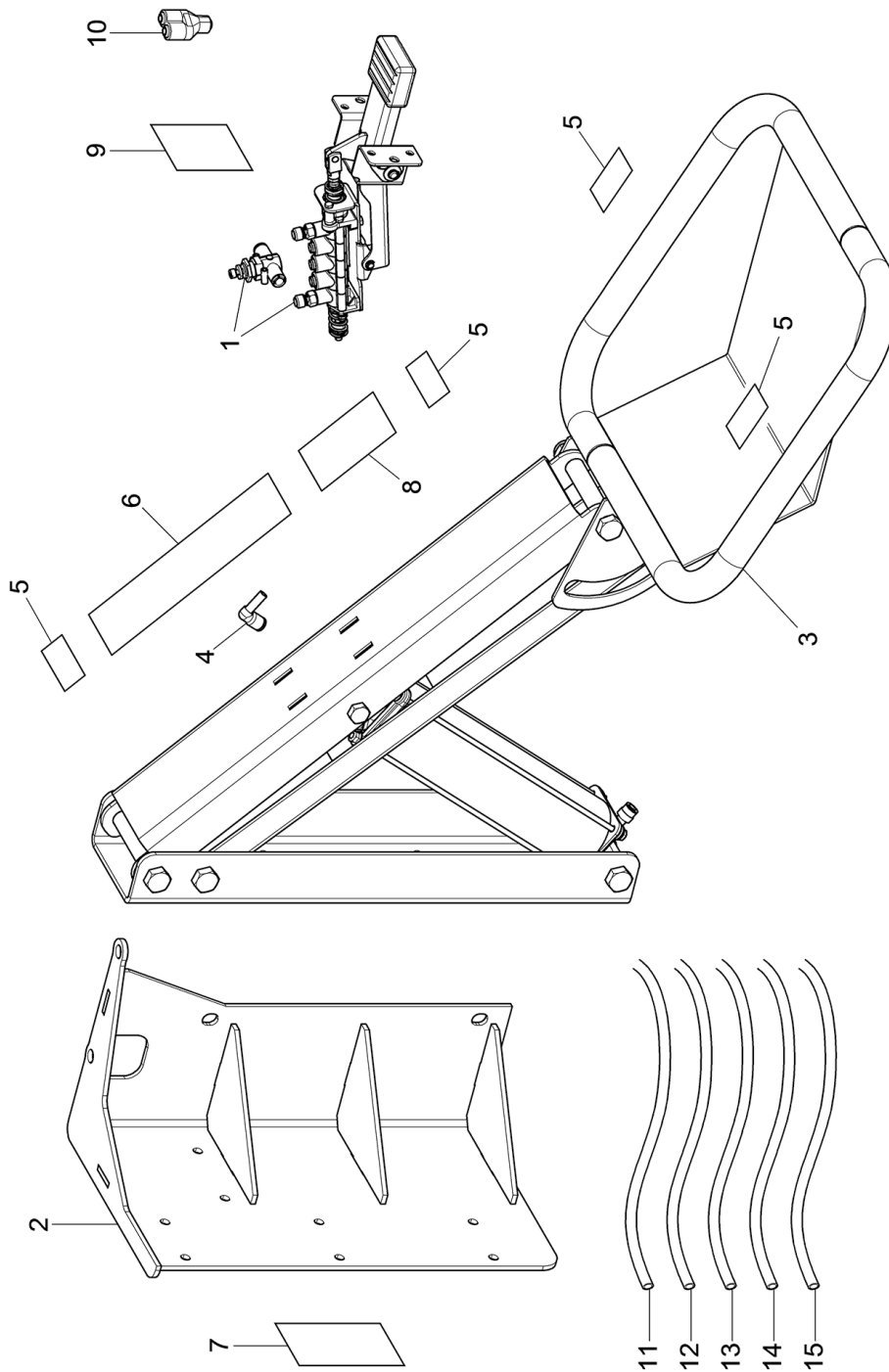
Inverter

REFER TO NEXT SHEET FOR PARTS DESCRIPTION LISTING



Parts Description Listing

Index No.	Part Number	Description
1	RP6-251116	M8 threaded insert
2	RP6-710891380	Inverter support plate
3	RP6-INV2K2019	Universal Inverter
4	RP6-710565020	Inverter signal cable
5	RP6-710265051	Inverter cable
6	RP6-710265031	Power cable
7	RP6-999916011	Motoinverter plate
8	RP6-9751	M5 threaded insert
9	RP6-710816140	Inverter support

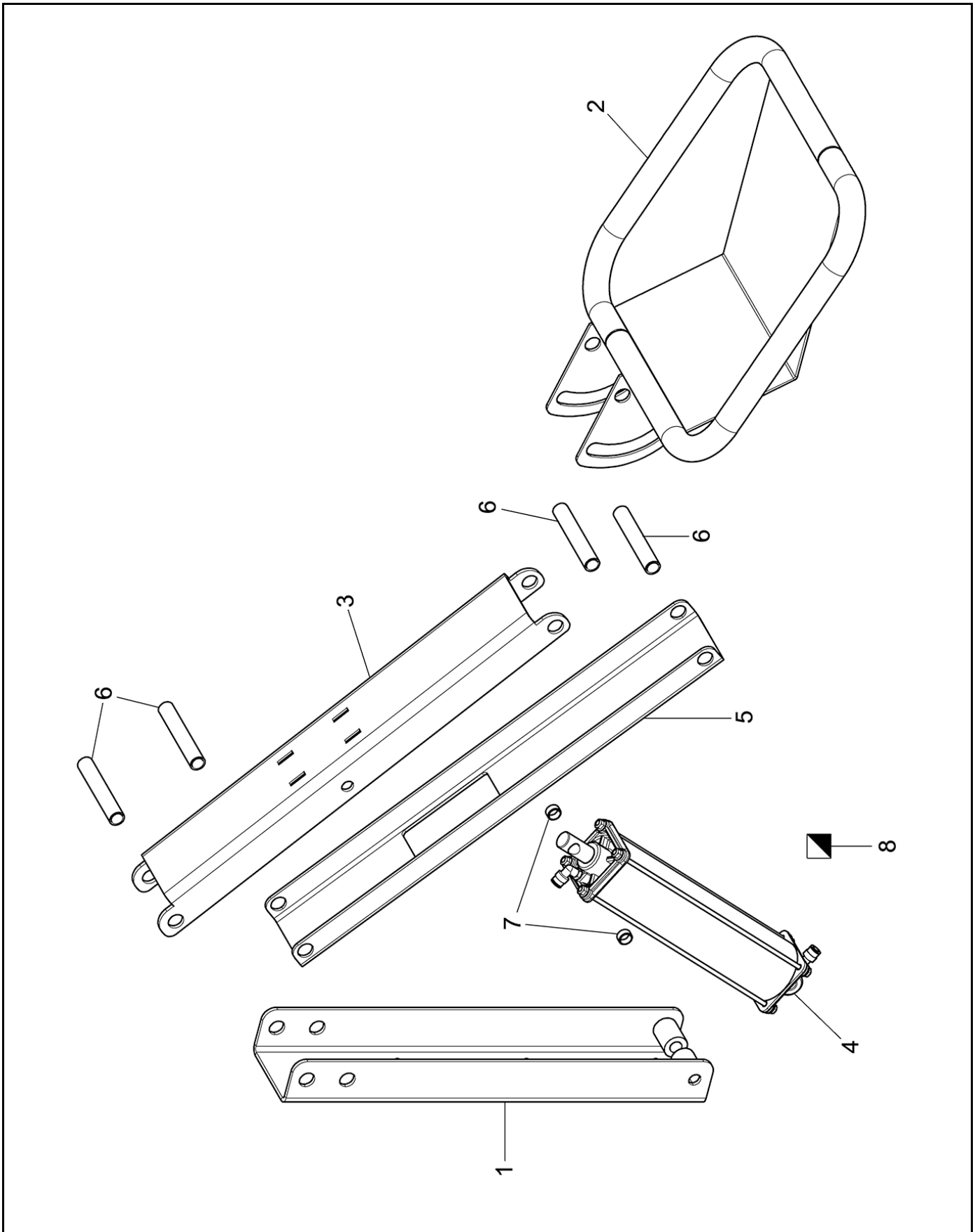


## Wheel Lift Assembly

REFER TO NEXT SHEET FOR PARTS DESCRIPTION LISTING

**Parts Description Listing**

<b>Index No.</b>	<b>Part Number</b>	<b>Description</b>
1	RP6-710890130	Lifter pedalboard unit
2	RP6-710814100	Lifting device bracket assembly
3	RP6-710591900	Lateral lifting device
4	RP6-3244	90 DEGREES CONNECTOR 3182
5	RP6-1541	Danger indicating plate
6	RP6-2668	Wheel lifting device danger indicating plate
7	RP6-999915200	Serial number plate
8	RP6-999916880	Max. capacity 80 Kg plate
9	RP6-999916450	Lifting device pedal label
10	RP6-325181	V8 union
11	RP6-317022	8x6 black Elastolan pipe L=1000
12	RP6-317022	8x6 black Elastolan pipe L=1300
13	RP6-317022	8x6 black Elastolan pipe L=70
14	RP6-317022	8x6 black Elastolan pipe L=200
15	RP6-317022	8x6 black Elastolan pipe L=750

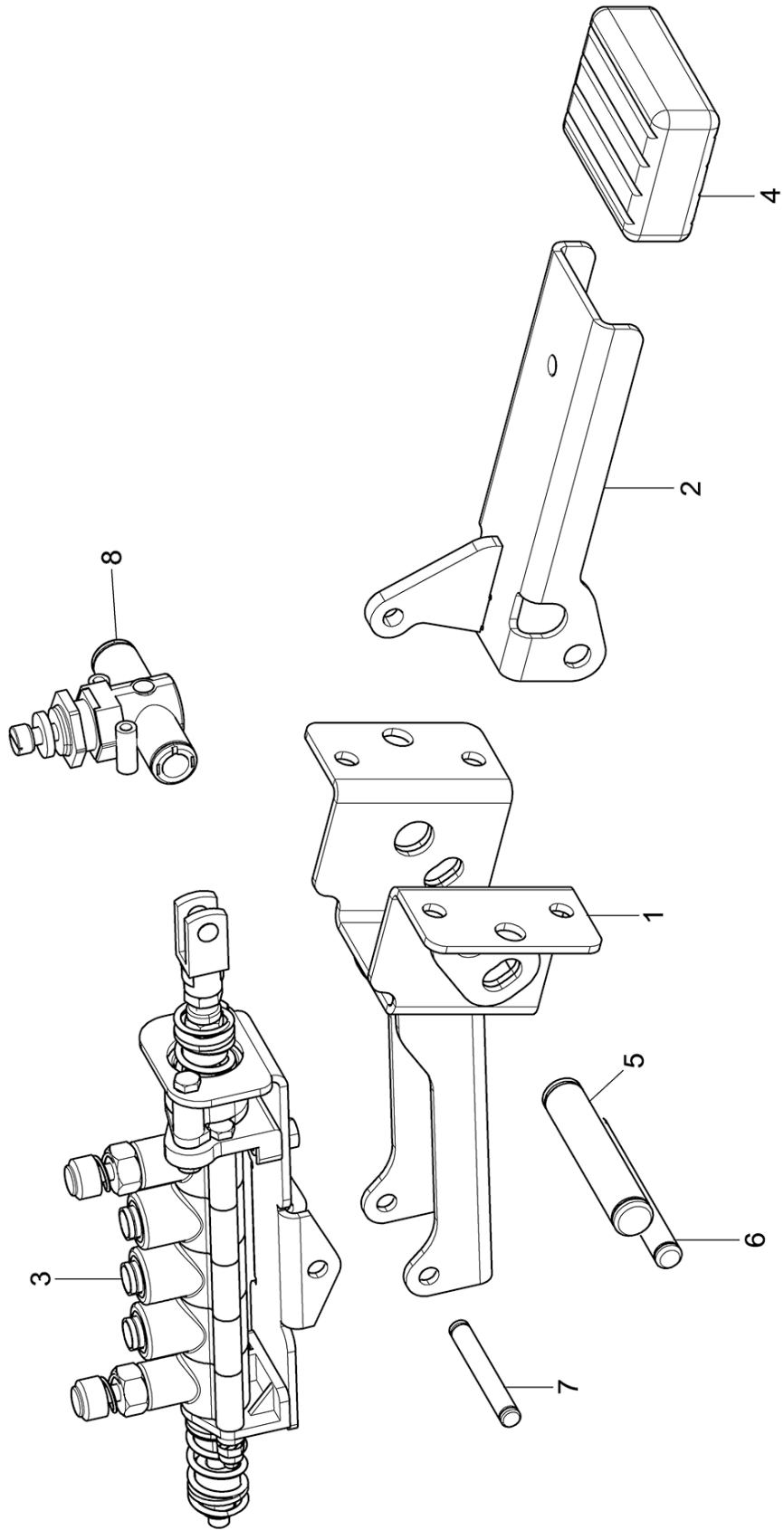


### Wheel Lift Sub-Assembly

REFER TO NEXT SHEET FOR PARTS DESCRIPTION LISTING

Parts Description Listing

Index No.	Part Number	Description
1	RP6-710516630	Welded support
2	RP6-710516670	Wheel support
3	RP6-710516700	Arm
4	RP6-770012550	D. 70 cylinder
5	RP6-710516900	Plate
6	RP6-710516910	Pipe
7	RP6-710517030	Spacer
8	RP6-GU4920	Cylinder gaskets set D.70

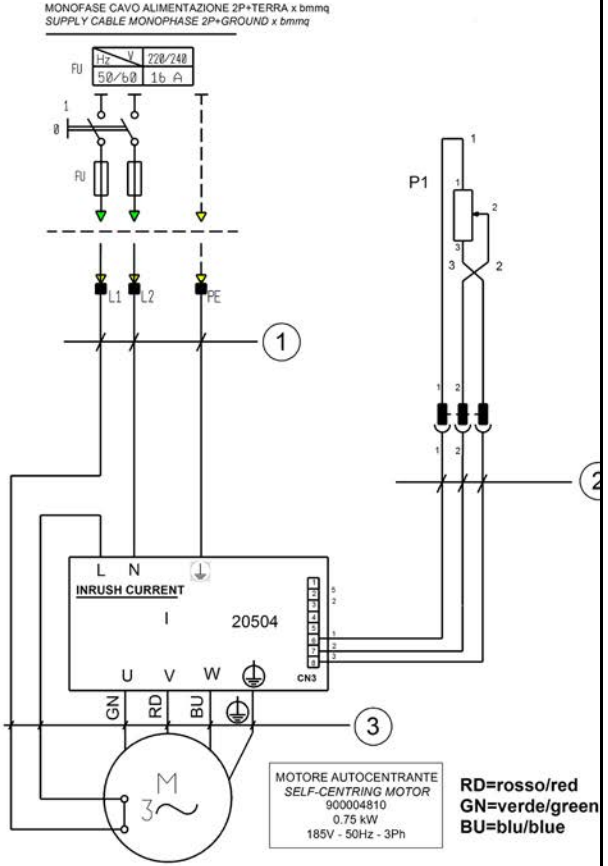
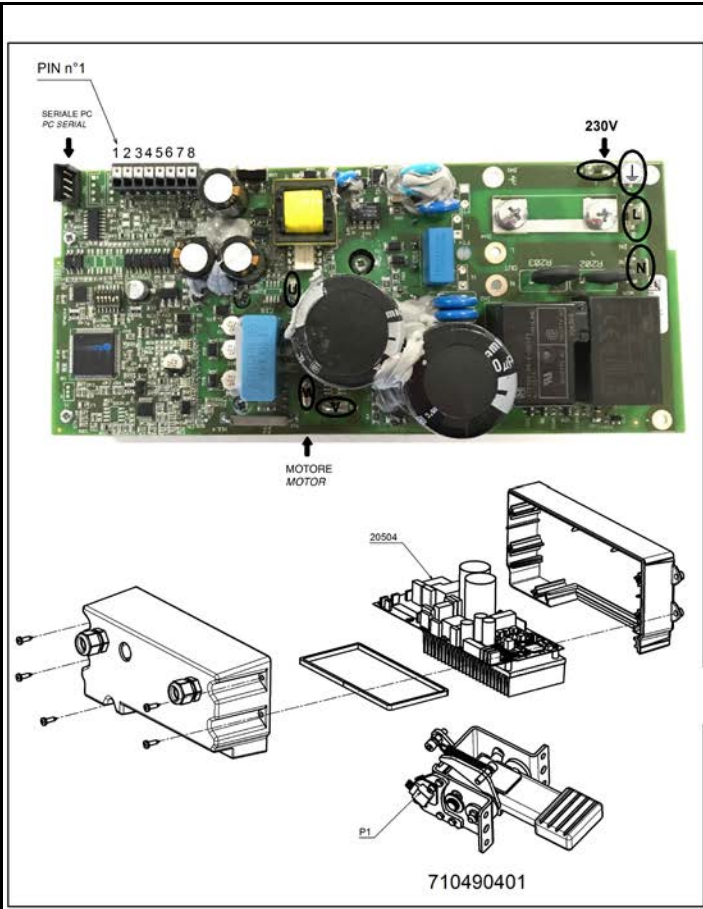


## Wheel Lift Pedal

REFER TO NEXT SHEET FOR PARTS DESCRIPTION LISTING

Parts Description Listing

Index No.	Part Number	Description
1	RP6-710810400	Pedal supporting assembly
2	RP6-710810430	Pedal beam
3	RP6-710890140	Blade with valve unit
4	RP6-0173	Pedal protection plug
5	RP6-710810470	D.12 pin
6	RP6-710810480	D.8 pin
7	RP6-710810490	D.6 pin
8	RP6-399284	Flow regulator



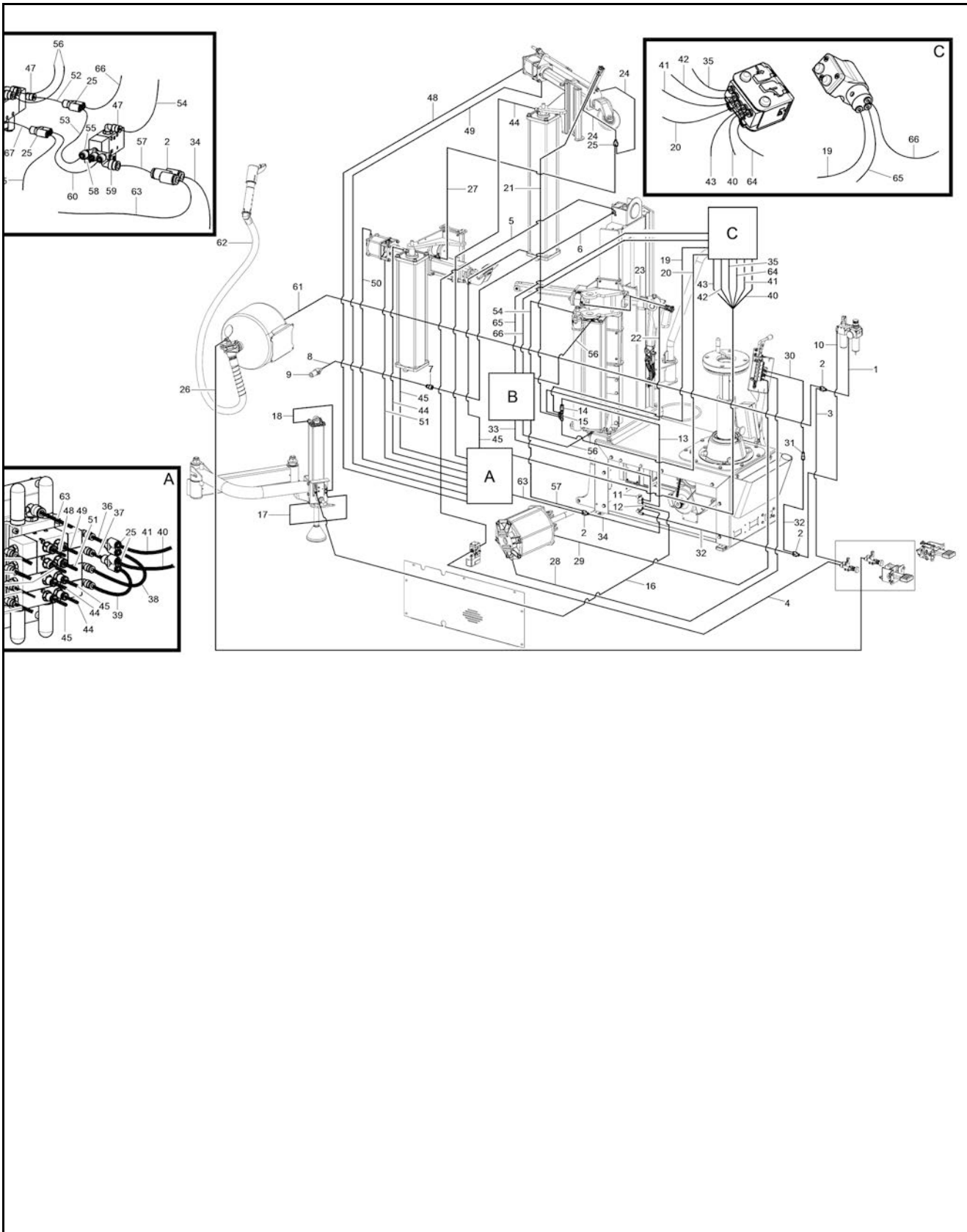
Electrical Diagram

REFER TO NEXT SHEET FOR PARTS DESCRIPTION LISTING



Parts Description Listing

Index No.	Part Number	Description
1	■	Clamp
2	I	Motor control inverter
3	M	Motor
4	P1	Motor rotation control potentiometer control
5	RP6-N3	Pedalboard micro inverter connector
6	RP6-710265031	Power cable
7	RP6-710565020	Inverter signal cable
8	RP6-710265051	Inverter cable



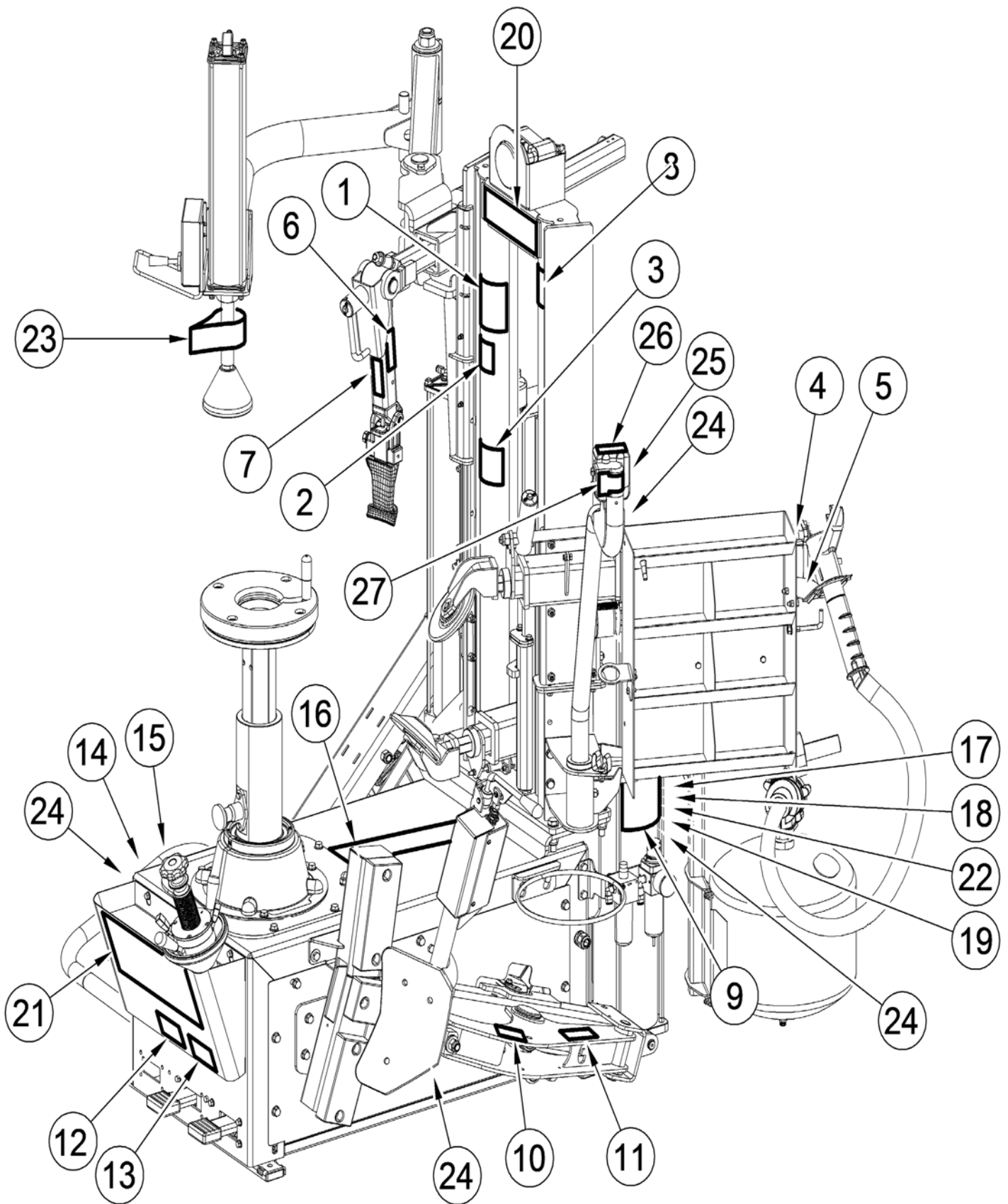
## Pneumatic Diagram

REFER TO NEXT SHEET FOR PARTS DESCRIPTION LISTING

## Parts Description Listing

Index No.	Part Number	Description
1	16-936-2	Nylon Tubing 8x6 mm (sold by the foot)
2	RP6-325181	V8 union
3	16-936-2	Nylon Tubing 8x6 mm (sold by the foot)
4	16-936-2	Nylon Tubing 8x6 mm (sold by the foot)
5	16-936-2	Nylon Tubing 8x6 mm (sold by the foot)
6	16-936-2	Nylon Tubing 8x6 mm (sold by the foot)
7	RP6-3138	8-1/4" wall through bolt
8	137-86-2	REPLACEMENT HOSE ONLY
9	RP6-710890641	Deflating terminal unit
10	16-936-2	Nylon Tubing 8x6 mm (sold by the foot)
11	RP6-3666001	5-way shunt
12	RP6-325054	8-6 reduction
13	16-936-2	Nylon Tubing 8x6 mm (sold by the foot)
14	RP6-325194	8-1/8 straight fixed union
15	RP6-7351	1/8" 5-WAY CONNECTION
16	16-937-2	Nylon Tubing 6x4 mm (sold by the foot)
17	16-937-2	Nylon Tubing 6x4 mm (sold by the foot)
18	RP6-16-937-2	Nylon Tubing 6x4 mm (sold by the foot)
19	16-450-2	Nylon Tubing 4x2 mm (sold by the foot)
20	16-937-2	Nylon Tubing 6x4 mm (sold by the foot)
21	16-450-2	Nylon Tubing 4x2 mm (sold by the foot)
22	16-450-2	Nylon Tubing 4x2 mm (sold by the foot)
23	16-450-2	Nylon Tubing 4x2 mm (sold by the foot)
24	16-450-2	Nylon Tubing 4x2 mm (sold by the foot)
25	145-318-2	FITTING-5/32 Y
26	16-936-2	Nylon Tubing 8x6 mm (sold by the foot)
27	16-450-2	Nylon Tubing 4x2 mm (sold by the foot)
28	RP6-317036	10x6,5 elastolan pipe L=1700
29	RP6-317036	10x6,5 elastolan pipe L=1500
30	RP6-317036	10x6,5 elastolan pipe L=1600
31	RP6-325218	10x8 reduction
32	16-936-2	Nylon Tubing 8x6 mm (sold by the foot)
33	16-936-2	Nylon Tubing 8x6 mm (sold by the foot)
34	16-936-2	Nylon tubing 8x6 mm (sold by the foot)
35	RP6-317039	4x2, 7 blue rilsan pipe l=1750

Index No.	Part Number	Description
36	RP6-MP70	4x2,7 white rilsan pipe L=50
37	RP6-MP90	4x2,7 yellow rilsan pipe L=50
38	RP6-MP70	4x2,7 white rilsan pipe L=100
39	RP6-MP90	4x2,7 yellow rilsan pipe L=100
40	RP6-MP90	4x2,7 yellow rilsan pipe L=1750
41	RP6-MP70	4x2,7 white rilsan pipe L=1750
42	RP6-317028	4x2,7 green rilsan pipe L=1750
43	RP6-317027	4x2,7 red rilsan pipe L=1750
44	16-936-2	Nylon Tubing 8x6 mm (sold by the foot)
45	16-936-2	Nylon Tubing 8x6 mm (sold by the foot)
46	RP11-3-00057	QUICK L-SHPD SWVL EXTR.U.1/8X6
47	RP6-325130	L rotary union
48	16-937-2	Nylon Tubing 6x4 mm (sold by the foot)
49	16-937-2	Nylon Tubing 6x4 mm (sold by the foot)
50	16-937-2	Nylon Tubing 6x4 mm (sold by the foot)
51	16-937-2	Nylon Tubing 6x4 mm (sold by the foot)
52	RP6-317041	4x2,7 silver rilsan pipe L=50
53	RP6-317041	4x2,7 silver rilsan pipe L=250
54	16-450-2	Nylon Tubing 4x2 mm (sold by the foot)
55	RP6-710590810	OR valve
56	16-937-2	Nylon Tubing 6x4 mm (sold by the foot)
57	16-936-2	Nylon Tubing 8x6 mm (sold by the foot)
58	RP6-325154	Cap union
59	RP6-325202	Rotary L union
60	RP6-317042	4x2,7 orange rilsan pipe L=250
61	16-936-2	Nylon Tubing 8x6 mm (sold by the foot)
62	RP6-790090810	Pipe
63	16-936-2	Nylon Tubing 8x6 mm (sold by the foot)
64	RP6-317040	4x2,7 midnight blue rilsan pipe L=1750
65	RP6-317042	4x2,7 orange rilsan pipe L=1850
66	RP6-317041	4x2,7 silver rilsan pipe L=1850
67	RP6-317042	4x2,7 orange rilsan pipe L=50
68		
69		
70		



### Pneumatic Diagram

REFER TO NEXT SHEET FOR PARTS DESCRIPTION LISTING

Parts Description Listing

Index No.	Part Number	Description
1	128-284-2	Decal-safety instructions
2	128-323-2	Decal-eye protection
3	128-1213-2	Decal-tca tpms sensor
4	128-286-2	Decal-danger air blast
5	128-1149-2	Decal-warning air blast
6	128-489-2	Decal-mounting arm inclination
7	128-435-2	Decal-remove clip-on weights
8	128-287-2	Decal-warning inflation
9	128-285-2	Decal-warning pressure limitations
10	128-504-2	Decal-do not break bead with air pressure in tire
11	128-505-2	Decal-keep arms and legs clear of bead breaker
12	RP6-3691	Decal-inflation
13	RP6-710211210	Decal-rotation direction
14	RP6-99990758	Decal-electricity danger
15	RP6-4244	Decal-rotating parts danger indicating
16	128-1241-2	Decal-keep clear
17	RP6-999916311	Decal-rubbish skip
18	RP6-999915200	Serial number plate
19	RP6-1594	Decal-installation date
20	128-1748-2	TC logo plate
21	128-1750-2	TC39 plate
22	RP6-999923160	Decal-warning Prop 65
23	999923960	Bead press arm plus plate
24	RP6-4221	Grounding plate
25	RP6-999923950	Indent plate
26	RP6-999923990	Roller plate
27	RP6-999923940	Tool head plate

**DECAL PLACEMENT**

**REFER TO NEXT SHEET FOR PARTS DESCRIPTION LISTING**