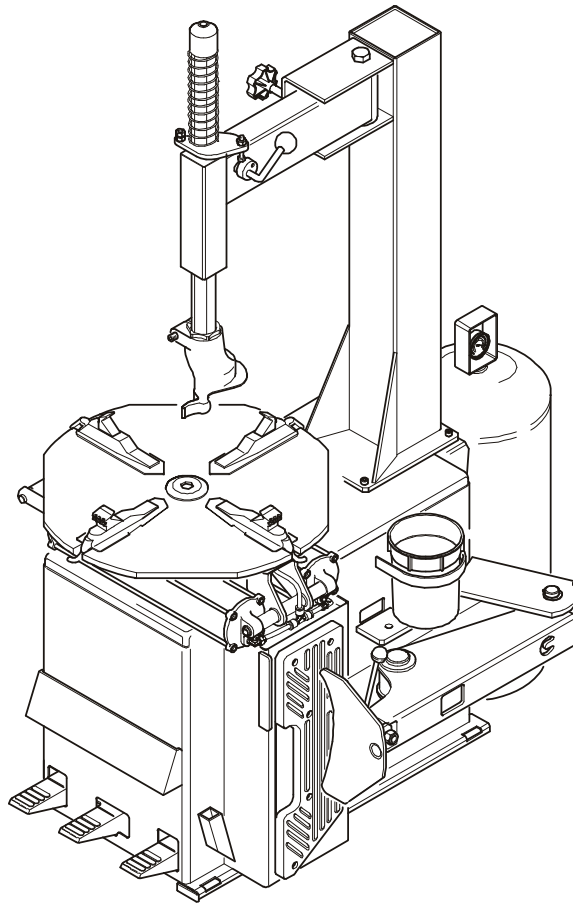


EEWH306A

Air/Electric Tire Changers

Spare Parts List



PANZITTA SALES & SERVICE
72 George Avenue
Wilkes-Barre, PA 18705
570-822-6720 800-822-6720
www.panzittasales.com

Snap-on®

TEEW306A3

U P D A T I N G G U I D E

MODIFIED / CHANGED PARTS Regarding Revision D of March 2004 List of updated new code numbers from this revision:					
957	958	607a	946	884	885
957a	958a	607b	946a	884a	885a
Other Variations: Electric Diagram for new motor LESSON.					
MODIFIED / CHANGED PARTS Regarding Revision E of July 2004 List of updated new code numbers from this revision:					
607.b	883.				
607,c	883a				
MODIFIED / CHANGED PARTS Regarding Revision F of April 2005 List of updated new tables from this revision:					
607.c	591	= new Pneumatic Diagram:			
607.d	591.b	0031102			
MODIFIED / CHANGED PARTS Regarding Revision G of September 2005 List of updated new tables from this revision:					
824.a	642	633.b			
1507	1509	633.c			
MODIFIED / CHANGED TABLES Regarding Revision H of March 2006					
Replaced	1507	1509	884.a		
Added	1507.a	1509.a	1310.a		
affected by PCN n°	05G0188	06G0023	05G0170		
MODIFIED / CHANGED TABLES Regarding Revision I of June 2006					
Replaced	1507.a	1509.a	591.b		
Added	1507.b	1509.b	591.c		
affected by PCN n°	06G0031	06G0031	06G0030		
MODIFIED / CHANGED TABLES Regarding Revision L of May 2007					
Replaced	957.a				
Added	957.b				
affected by PCN n°	07G0036				
MODIFIED / CHANGED TABLES Regarding Revision M of November 2007					
Replaced	957.b				
Added	957.c				
affected by PCN n°	07G0139				

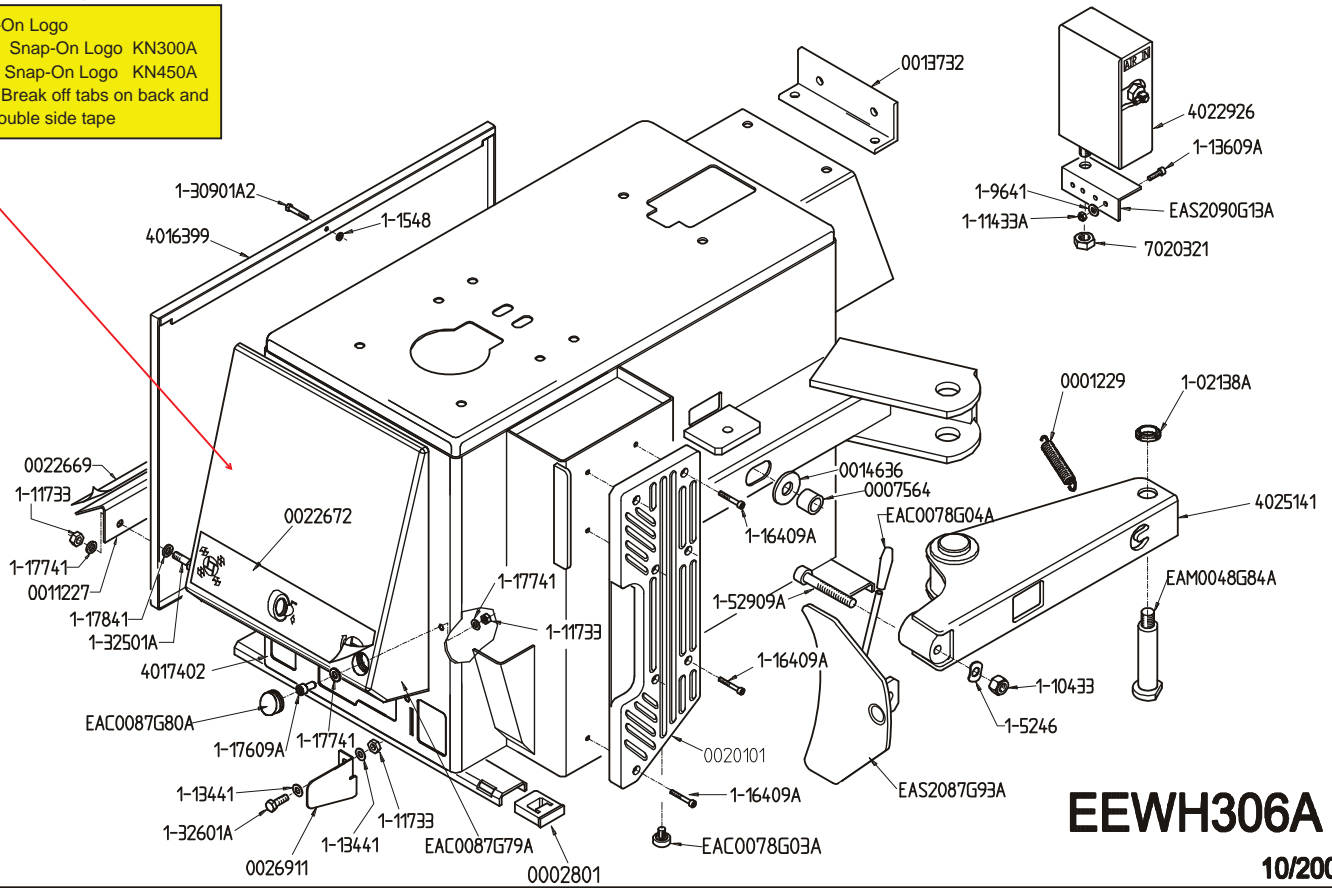
034-m-November-07

PANZITTA SALES & SERVICE
72 George Avenue
Wilkes-Barre, PA 18705
570-822-6720 800-822-6720
www.panzittasales.com

PANZITTA SALES & SERVICE
72 George Avenue
Wilkes-Barre, PA 18705
570-822-6720 800-822-6720
www.panzittasales.com

957.c

Snap-On Logo
7 3/4" Snap-On Logo KN300A
4 1/2" Snap-On Logo KN450A
Note: Break off tabs on back and use double side tape



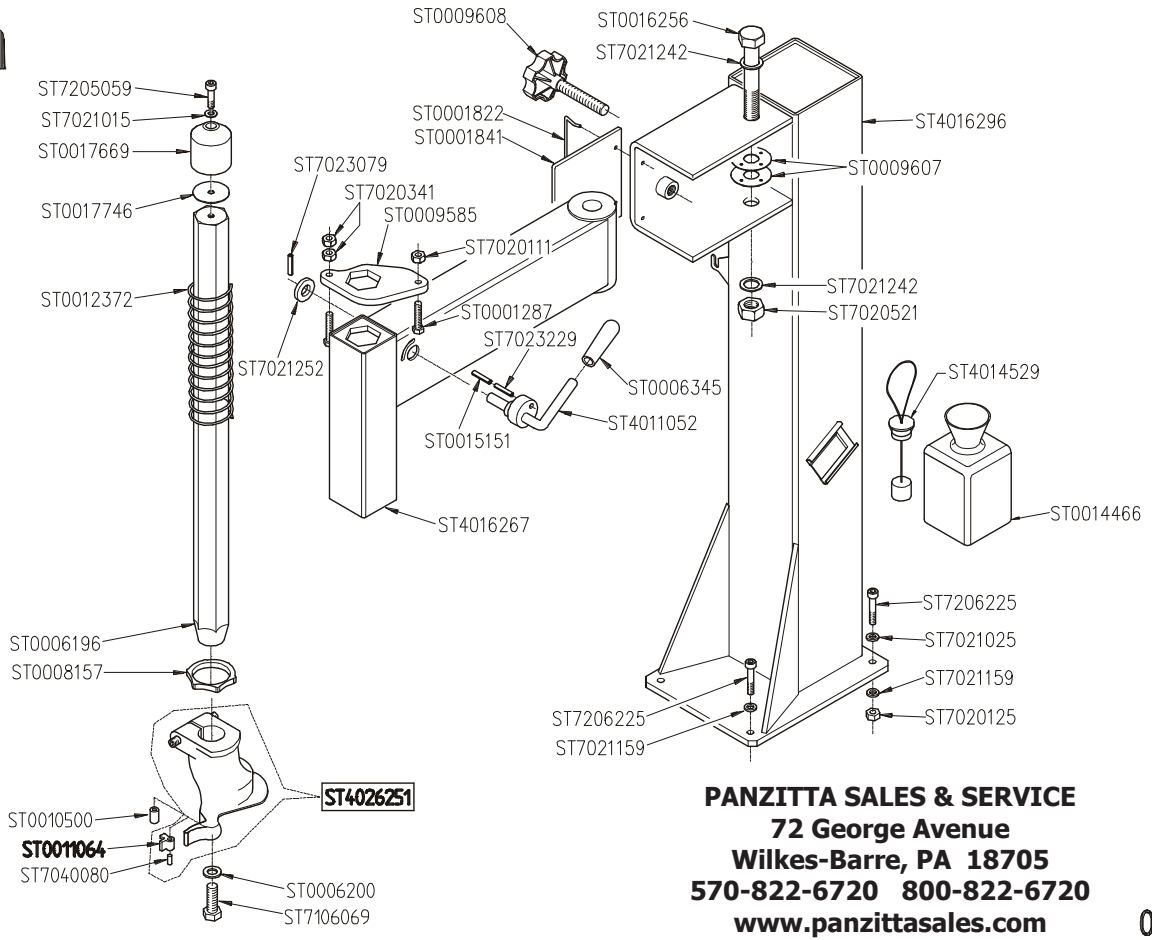
EEWH306A

10/2007

EEWH 306 A



958.a

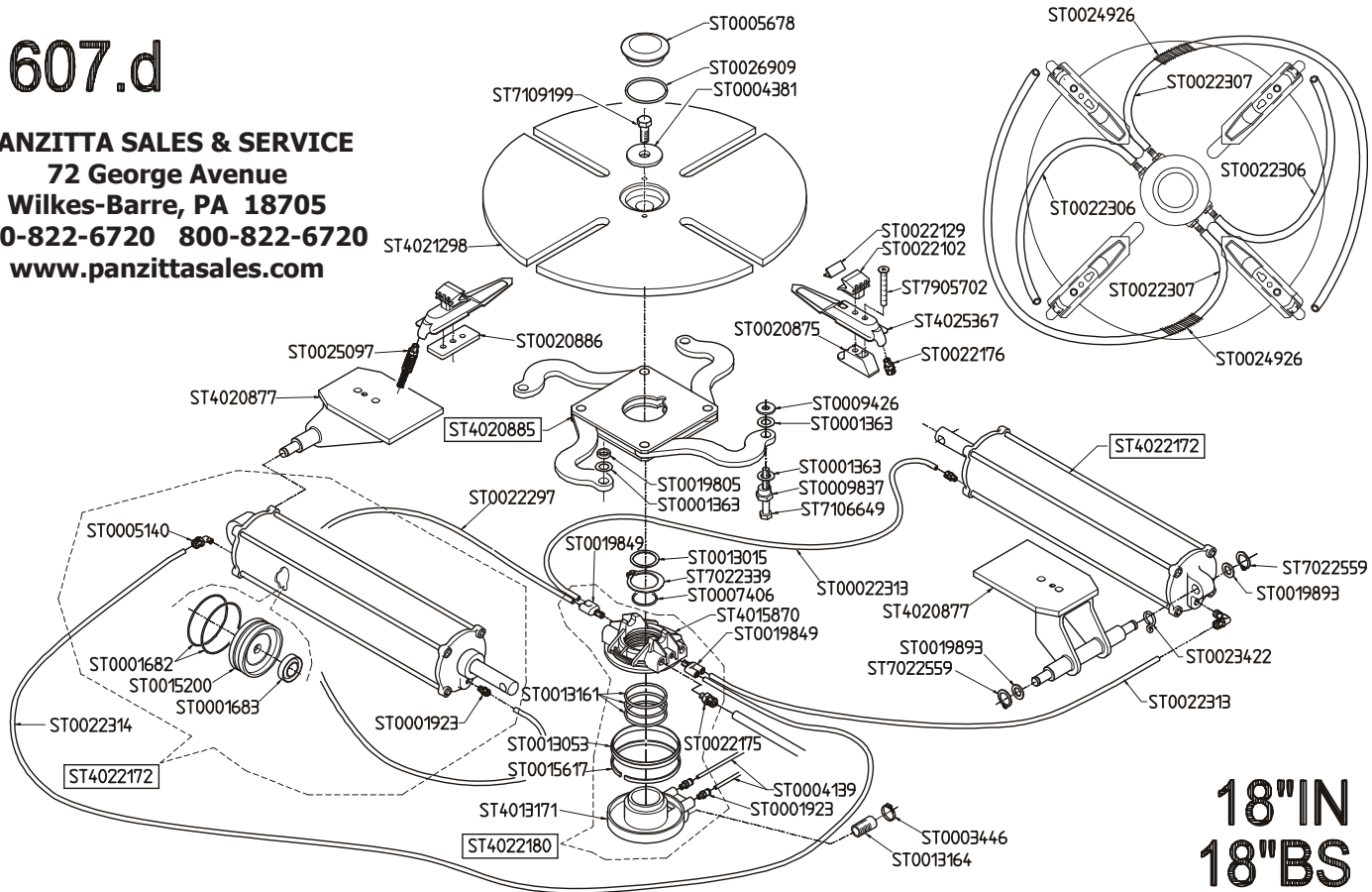


PANZITTA SALES & SERVICE
72 George Avenue
Wilkes-Barre, PA 18705
570-822-6720 800-822-6720
www.panzittasales.com

02/2004

607.d

PANZITTA SALES & SERVICE
 72 George Avenue
 Wilkes-Barre, PA 18705
 570-822-6720 800-822-6720
 www.panzittasales.com



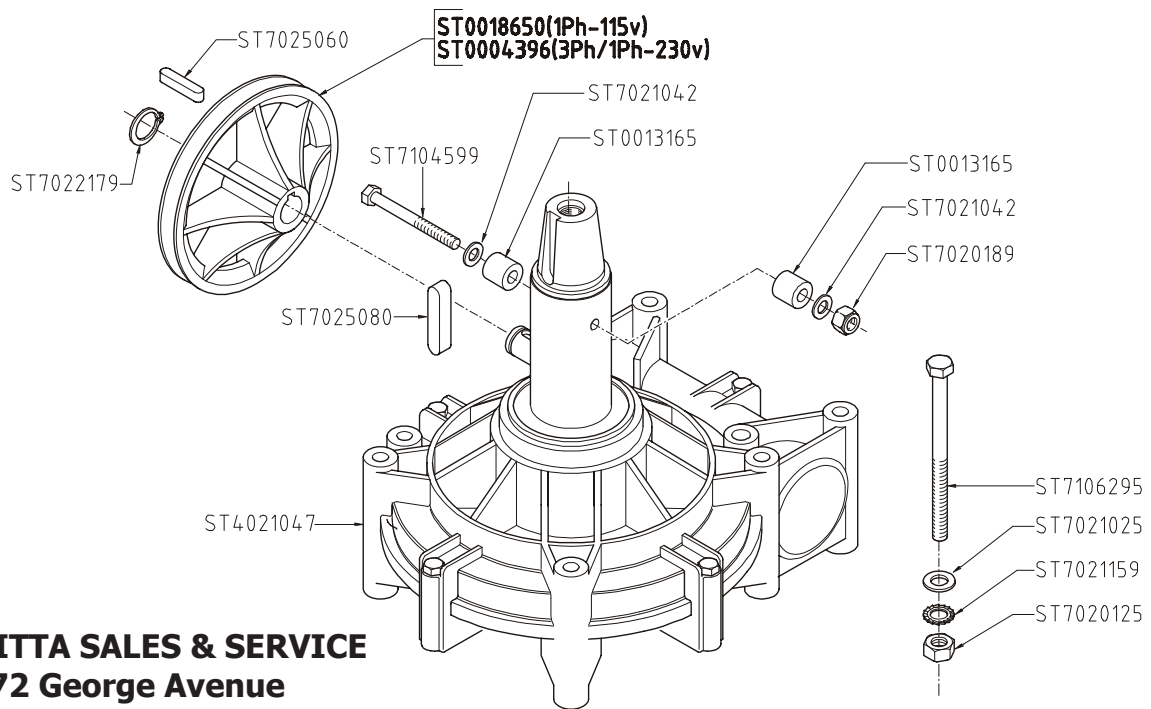
EEWH 306 A

18"IN
18"BS

01/2005



944

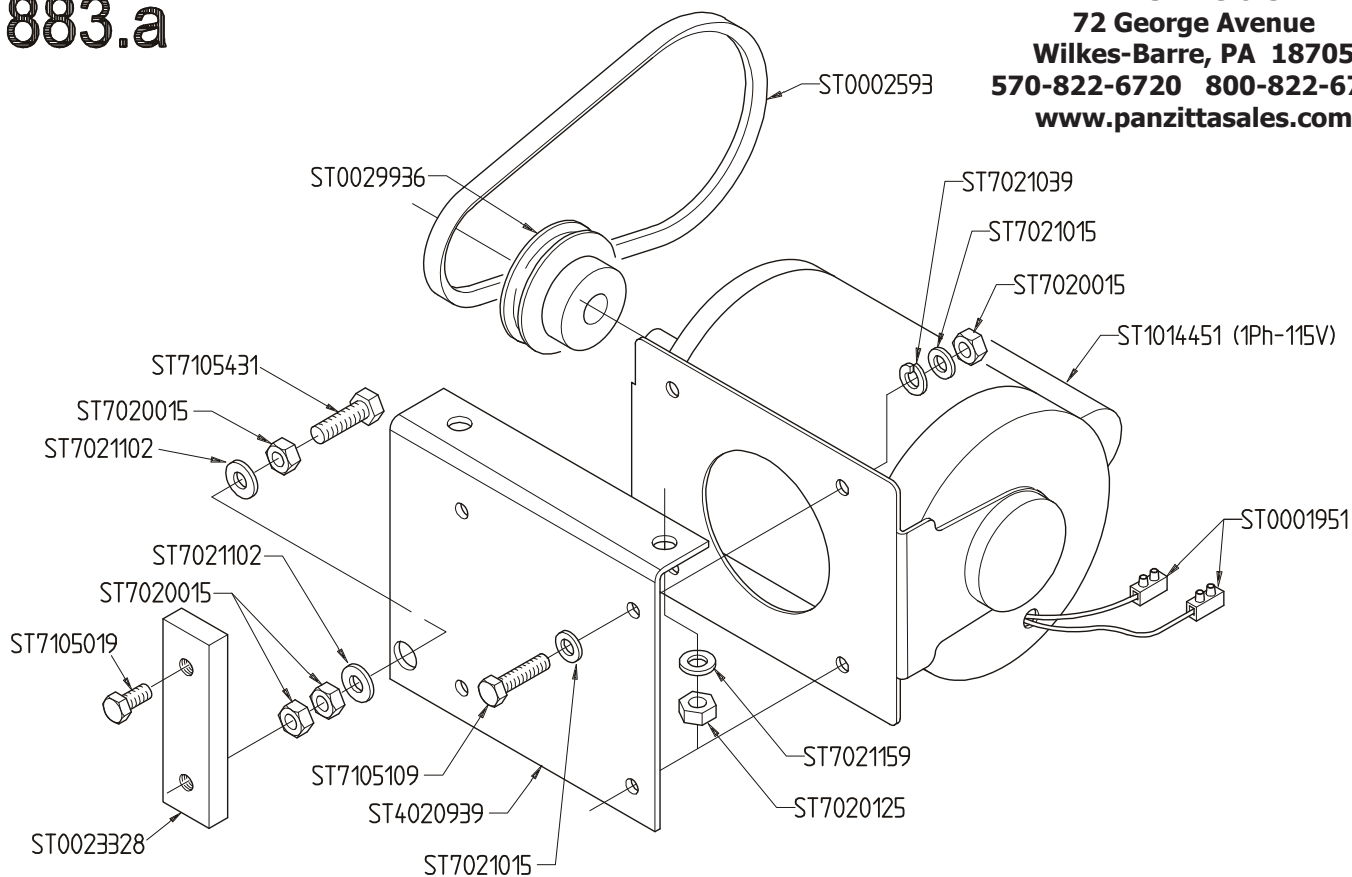


PANZITTA SALES & SERVICE
72 George Avenue
Wilkes-Barre, PA 18705
570-822-6720 800-822-6720
www.panzittasales.com

01/2000

883.a

PANZITTA SALES & SERVICE
72 George Avenue
Wilkes-Barre, PA 18705
570-822-6720 800-822-6720
www.panzittasales.com

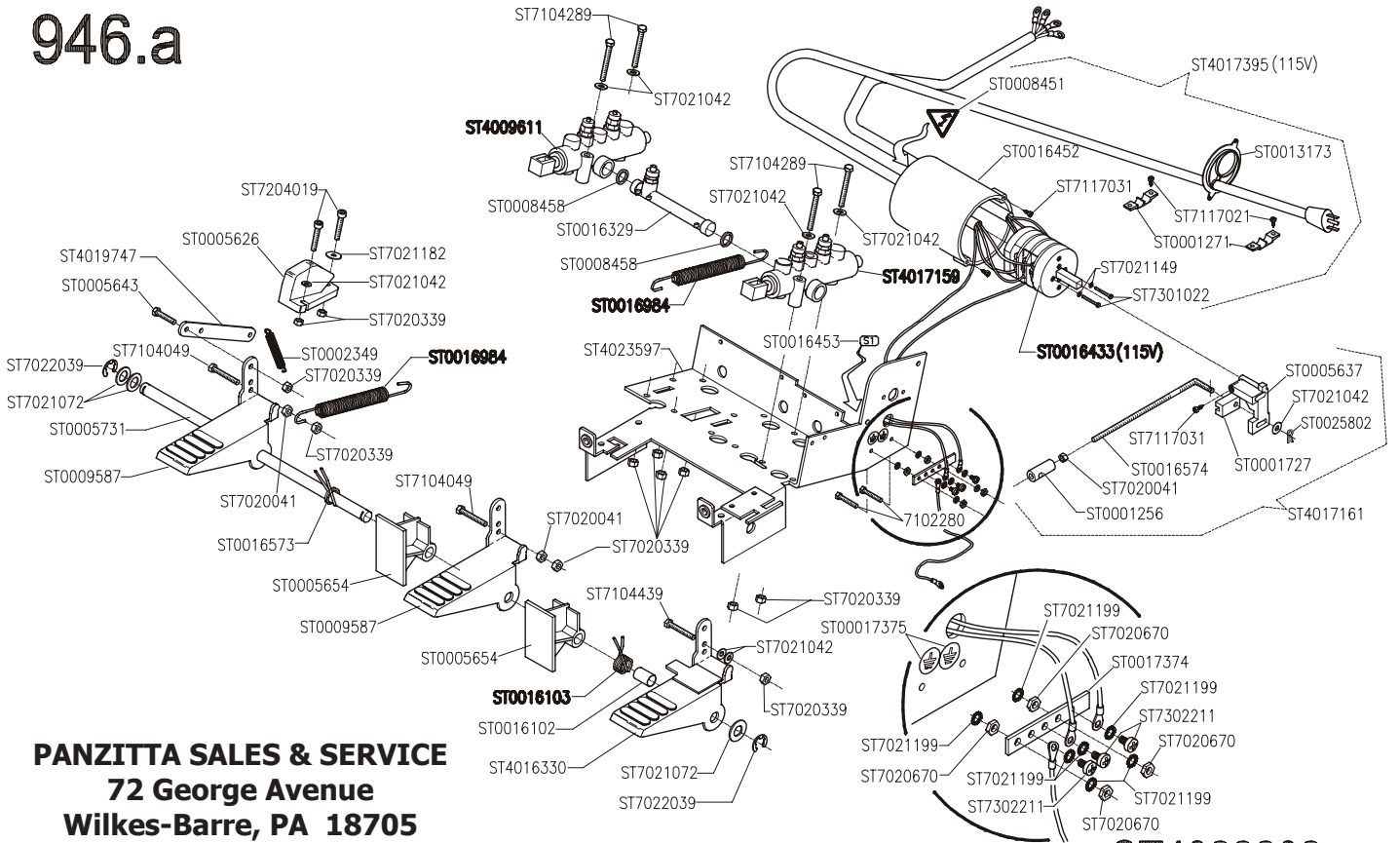


EEWH 306 A



07/2004

946.a

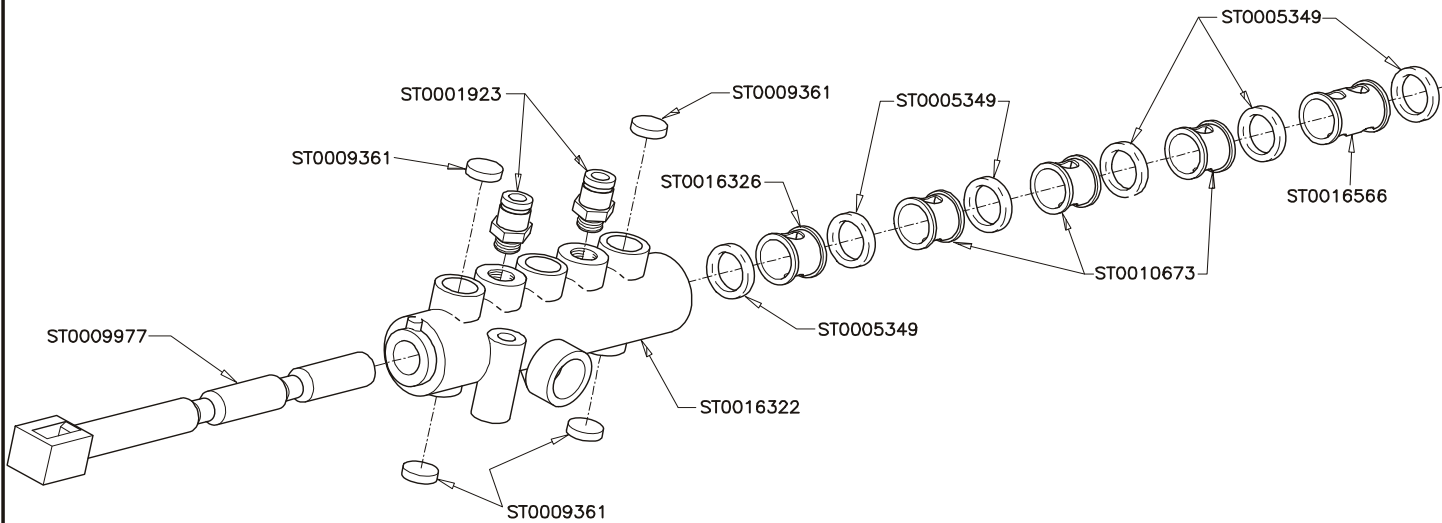


PANZITTA SALES & SERVICE
72 George Avenue
Wilkes-Barre, PA 18705
570-822-6720 800-822-6720
www.panzittasales.com

ST4022202 (115v)
09/2003

637

PANZITTA SALES & SERVICE
72 George Avenue
Wilkes-Barre, PA 18705
570-822-6720 800-822-6720
www.panzittasales.com



EEWH 306 A

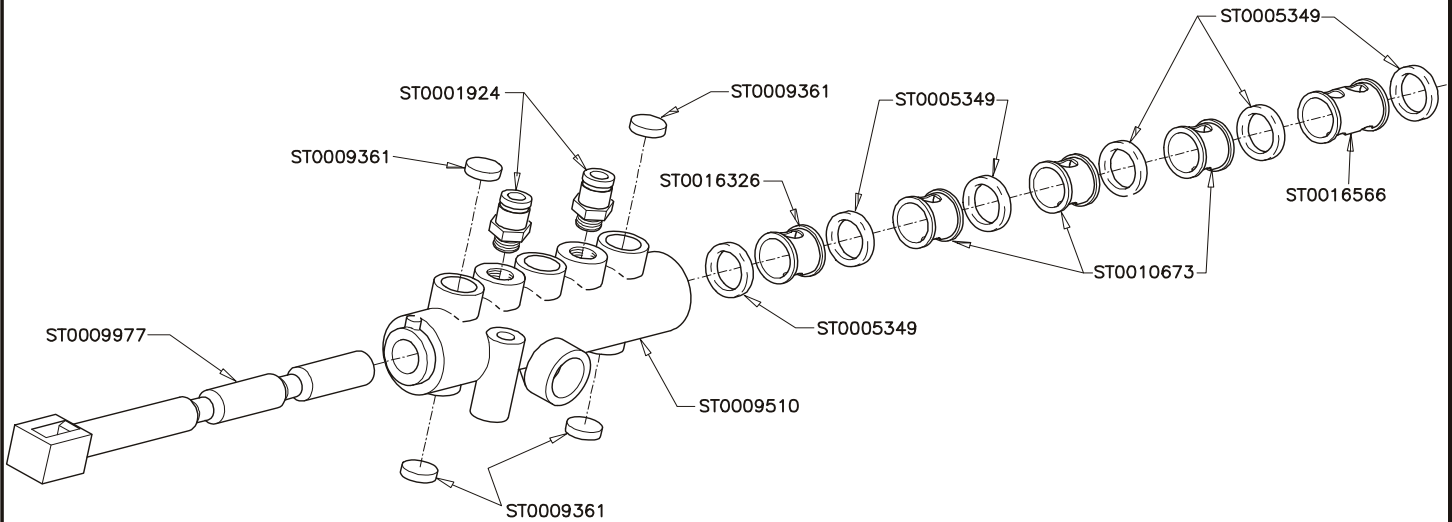
ST4009611

09/97



639

PANZITTA SALES & SERVICE
72 George Avenue
Wilkes-Barre, PA 18705
570-822-6720 800-822-6720
www.panzittasales.com



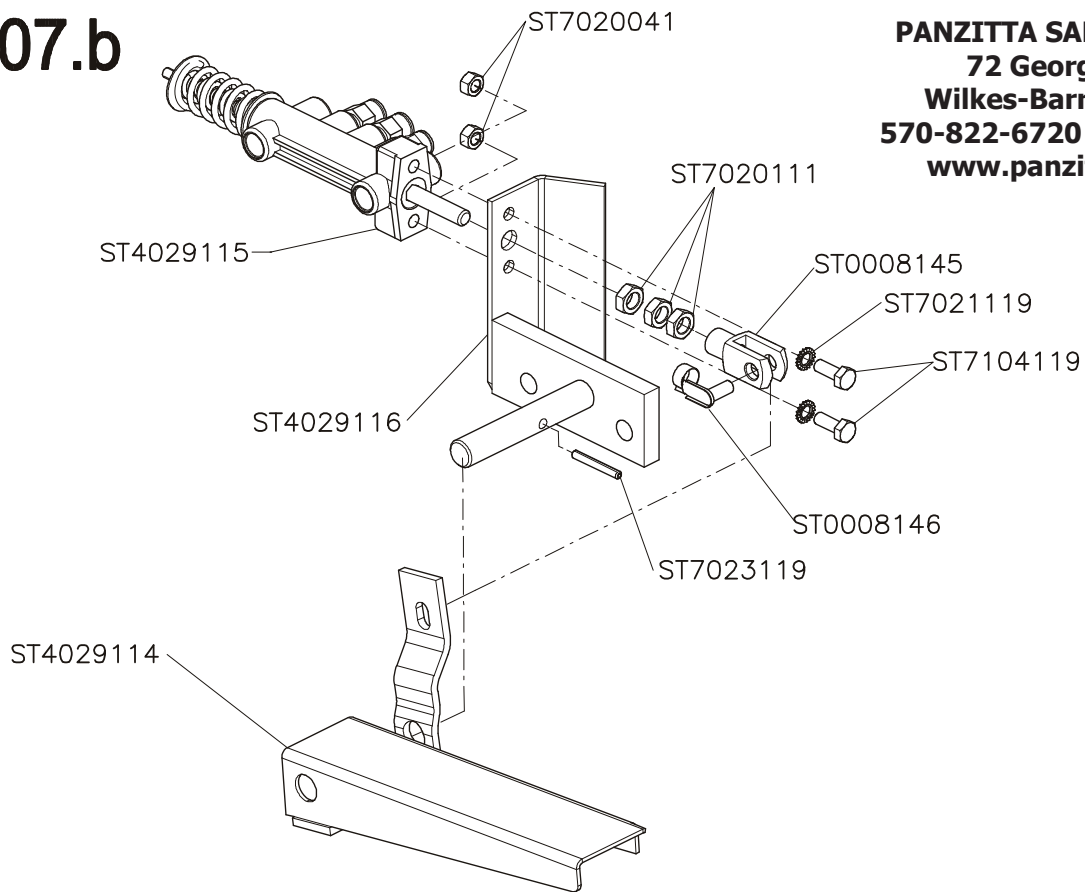
ST4017159

09/97

034-m-November-07

1507.b

PANZITTA SALES & SERVICE
72 George Avenue
Wilkes-Barre, PA 18705
570-822-6720 800-822-6720
www.panzittasales.com



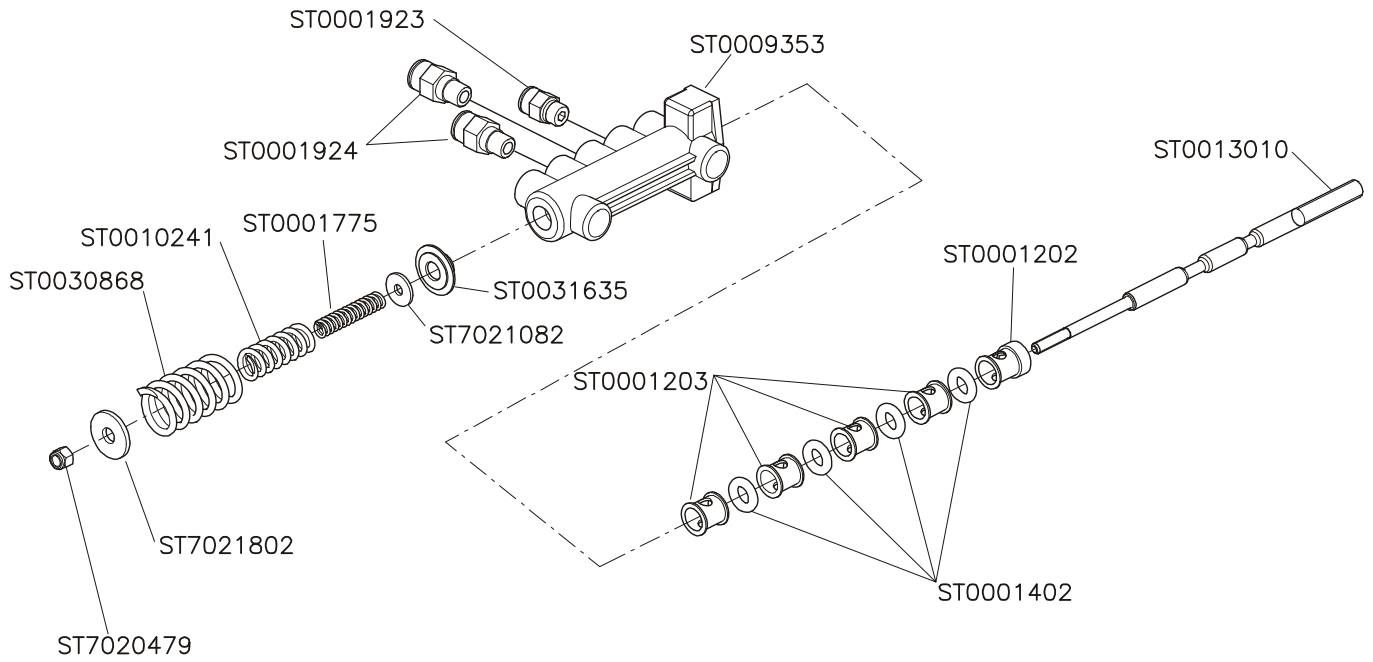
ST4029117

03/2006

EEWH 306 A



1509.b



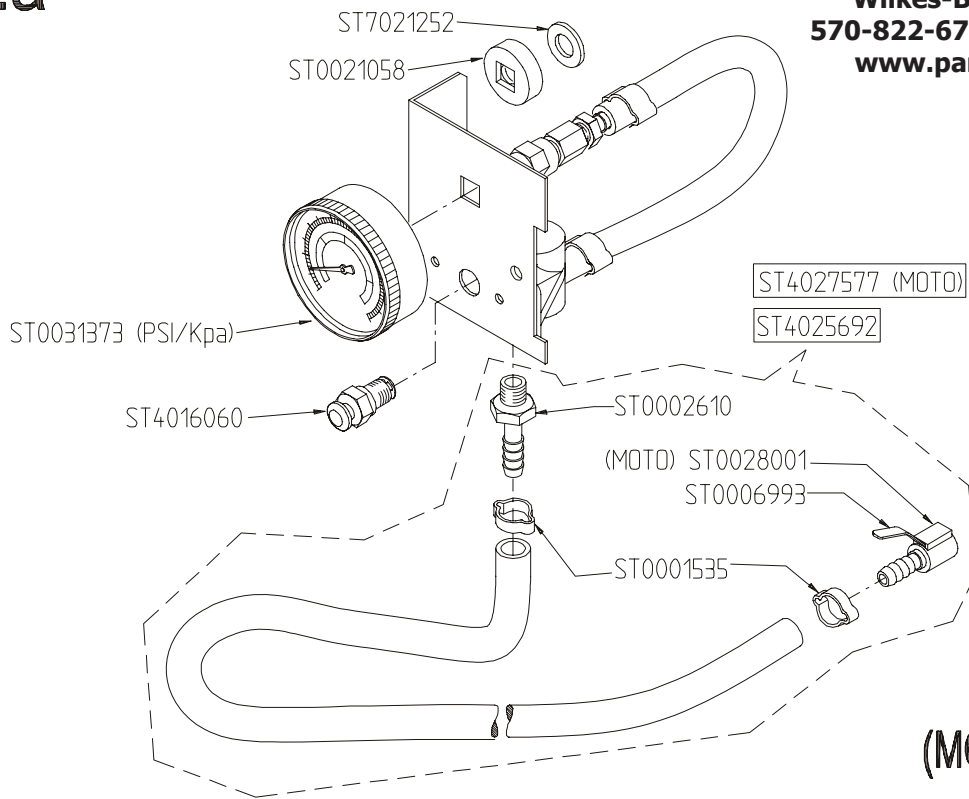
PANZITTA SALES & SERVICE
72 George Avenue
Wilkes-Barre, PA 18705
570-822-6720 800-822-6720
www.panzittasales.com

ST4029115

03/2006

1310.a

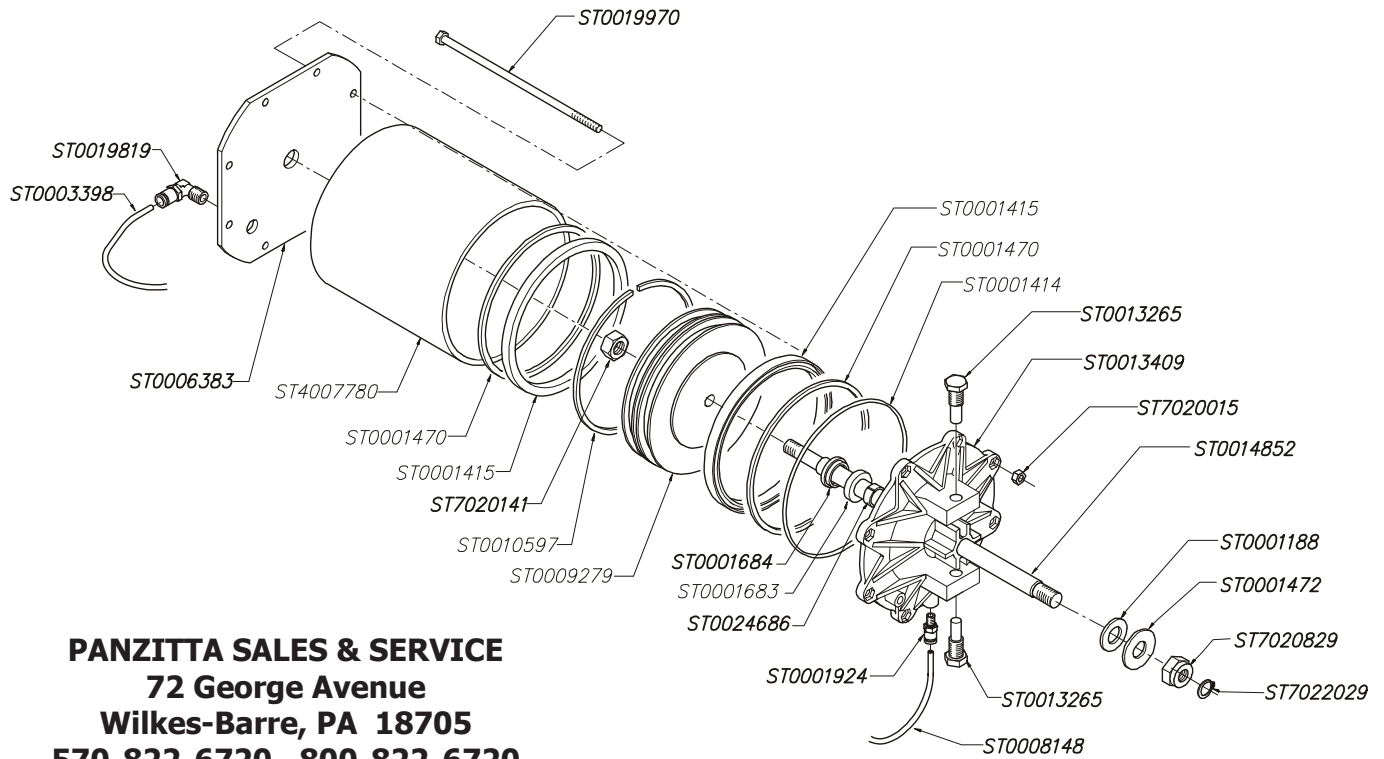
PANZITTA SALES & SERVICE
 72 George Avenue
 Wilkes-Barre, PA 18705
 570-822-6720 800-822-6720
 www.panzittasales.com



(MOTO) ST4029362
ST4029363

10/2005

591.c



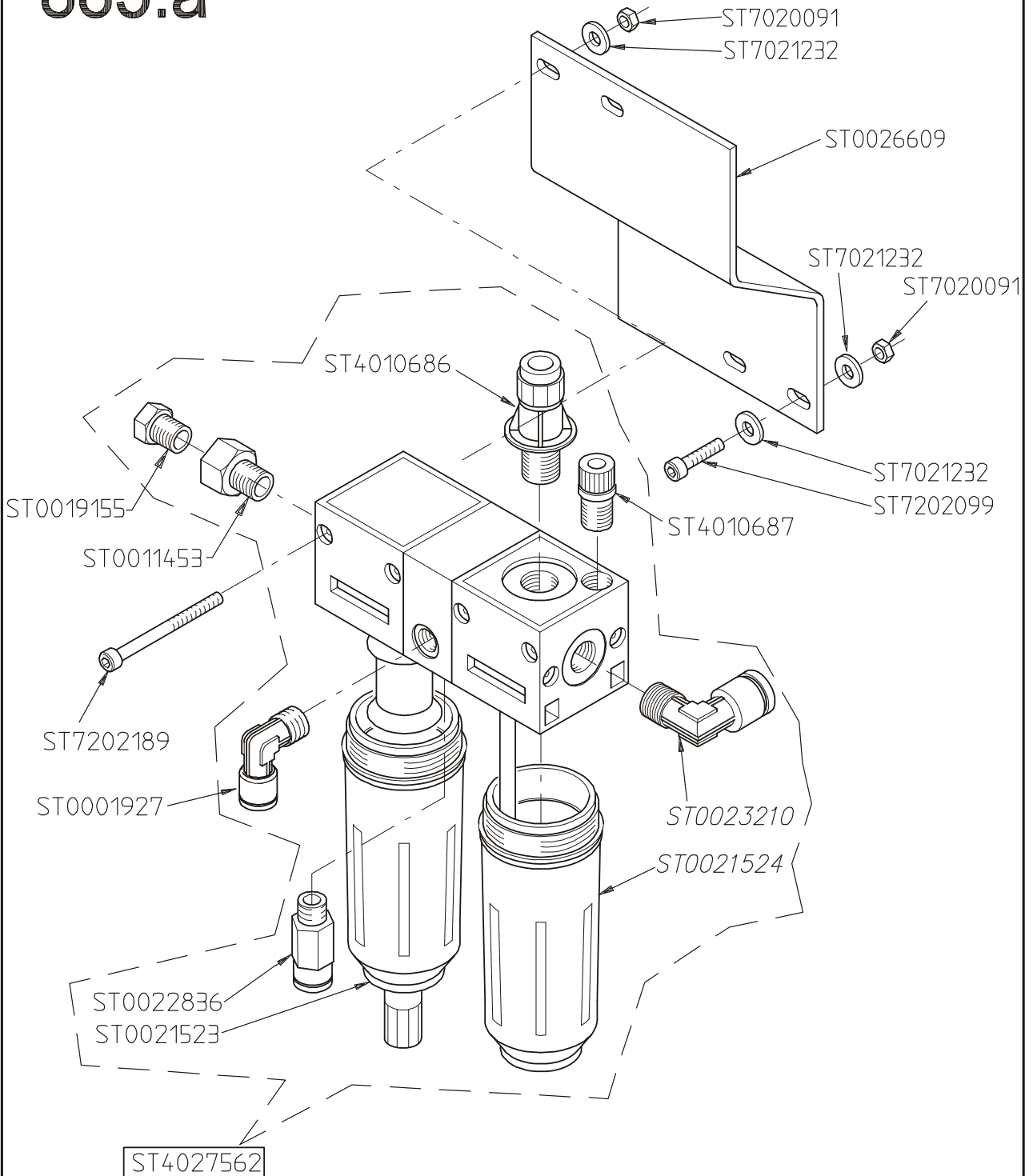
PANZITTA SALES & SERVICE
72 George Avenue
Wilkes-Barre, PA 18705
570-822-6720 800-822-6720
www.panzittasales.com

ST4014897

03/2006

885.a

034-m-November-07



PANZITTA SALES & SERVICE
72 George Avenue
Wilkes-Barre, PA 18705
570-822-6720 800-822-6720
www.panzittasales.com

02/2004

633.C

PANZITTA SALES & SERVICE
72 George Avenue
Wilkes-Barre, PA 18705
570-822-6720 800-822-6720
www.panzittasales.com

