

EEWH317A

Air/Electric Tire Changer

Spare Parts List

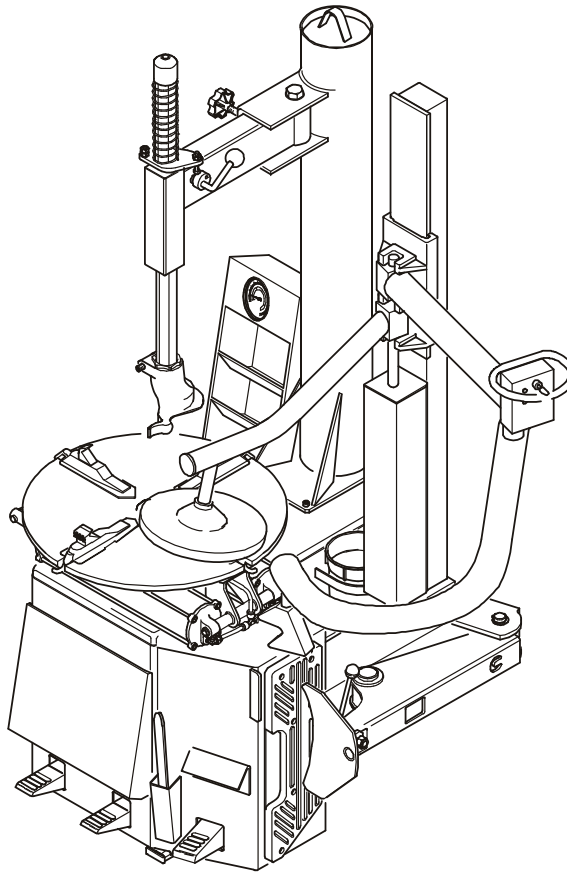
PANZITTA SALES & SERVICE

72 George Avenue

Wilkes-Barre, PA 18705

570-822-6720 800-822-6720

www.panzittasales.com



Snap-on®

P/N: TEEWH317A3



PANZITTA SALES & SERVICE
72 George Avenue
Wilkes-Barre, PA 18705
570-822-6720 800-822-6720
www.panzittasales.com

U P D A T I N G G U I D E					
MODIFIED / CHANGED TABLES Regarding Revision F of November 2007					
Replaced Added affected byPCN	1450.a 1450.b 07G0139				

U P D A T I N G G U I D E					
MODIFIED / CHANGED TABLES Regarding Revision E of May 2007					
Replaced Added affected byPCN	1450 1450.a 07G0036				

U P D A T I N G G U I D E					
MODIFIED / CHANGED TABLES Regarding Revision D of May 2006					
Replaced Added affected byPCN	1507 1507.b 06G0031 05G0188	1509 1509.b 06G0031	1318.b 1318.c 06G0030	1515 1515.a 05G0170	

U P D A T I N G G U I D E							
MODIFIED / CHANGED TABLES Regarding Revision C of September 2005							
1320.a 1320.b	1320.a 1320.b	1320.a 1320.b	1320.a 1320.b	1320.a 1320.b	1320.a 1320.b	1320.a 1320.b	

U P D A T I N G G U I D E				
MODIFIED / CHANGED TABLES Regarding Revision B of March 2005				
1320.a 1320.b	1318 1318.b	937.b -	938.a -	
Pneumatic Diagram has been added at page 22.				

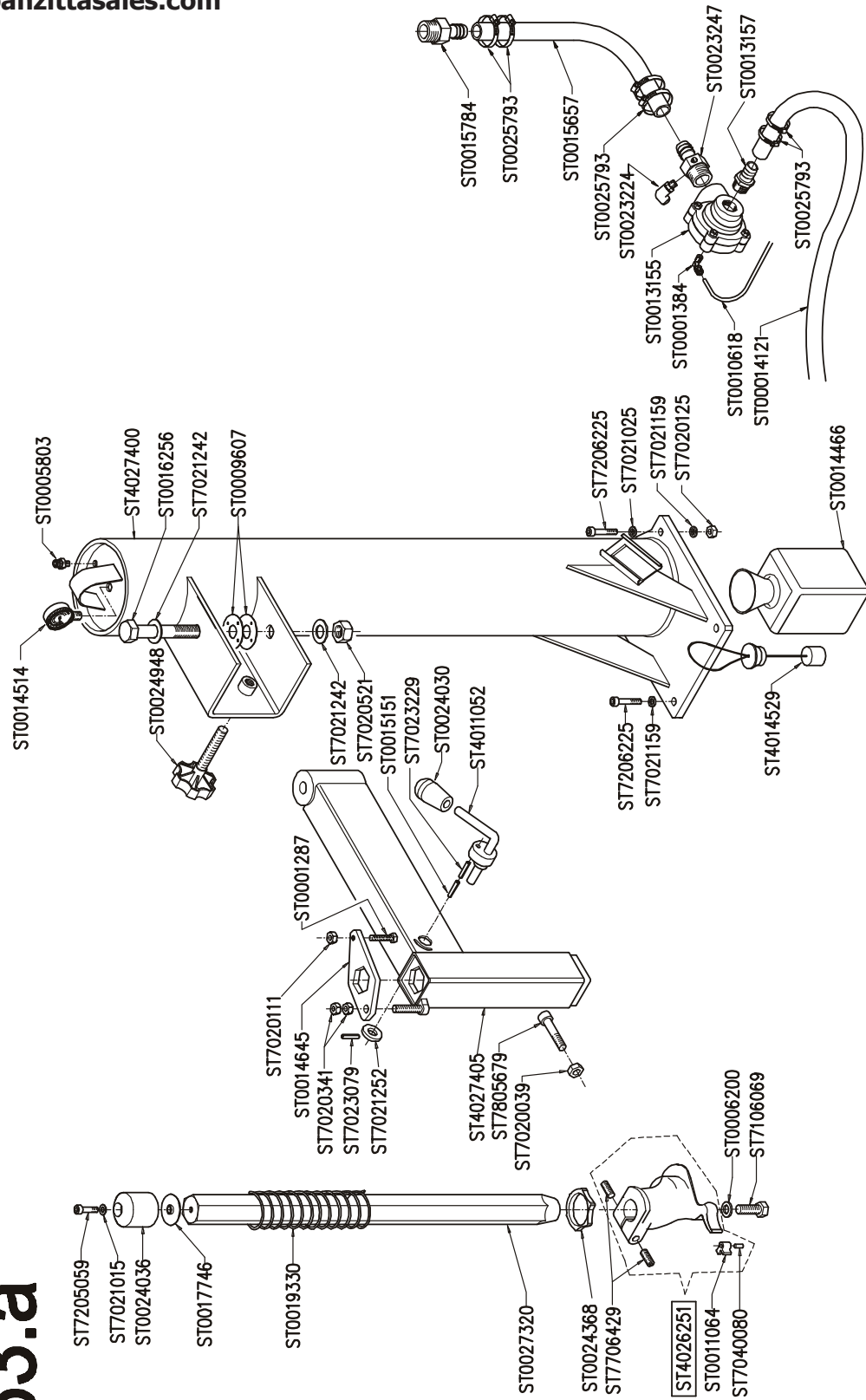
177-F-November-07

72 George Avenue
Wilkes-Barre, PA 18705
570-822-6720 800-822-6720
www.panzittasales.com

06/2002

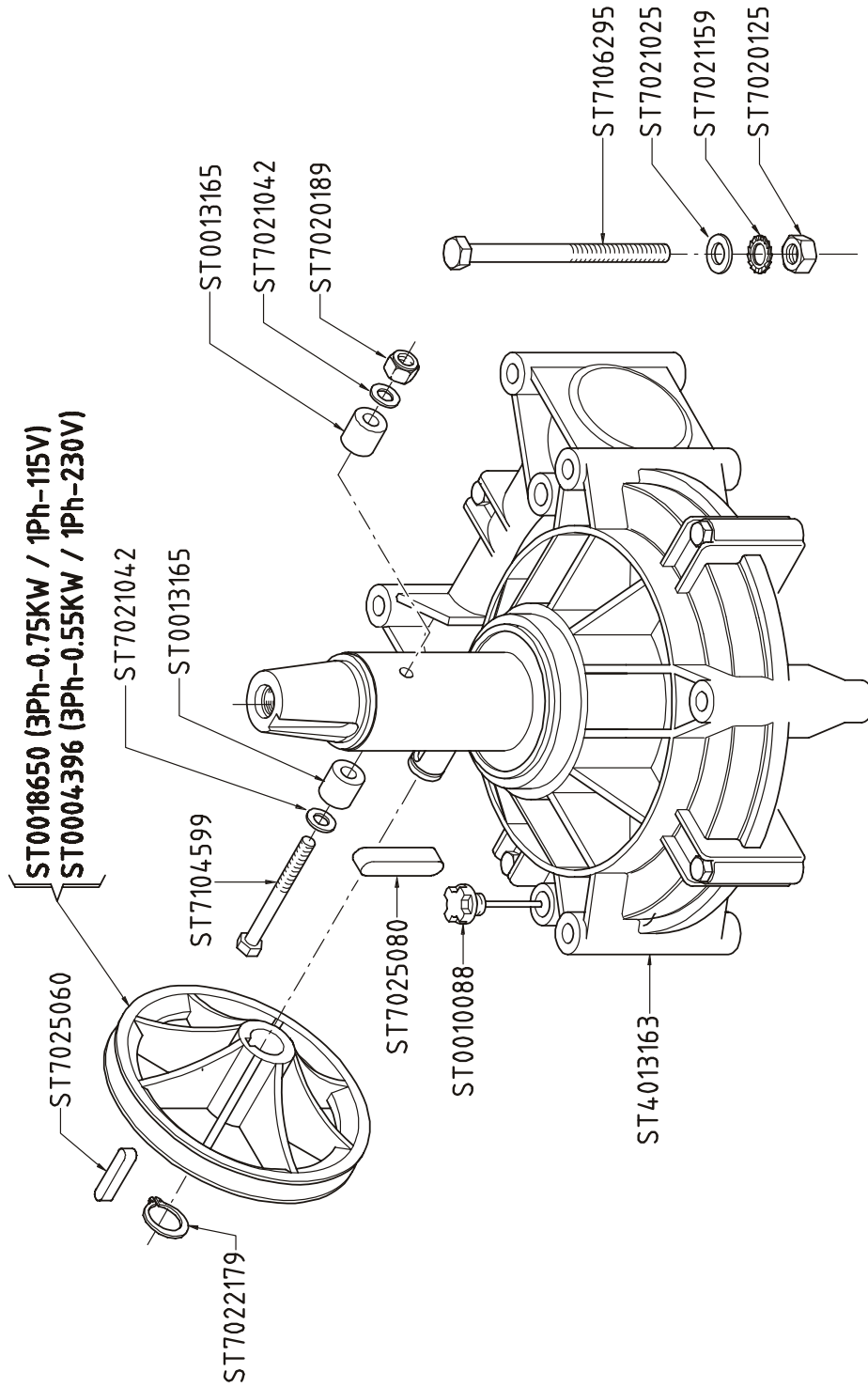
177-F-November-07

863.a

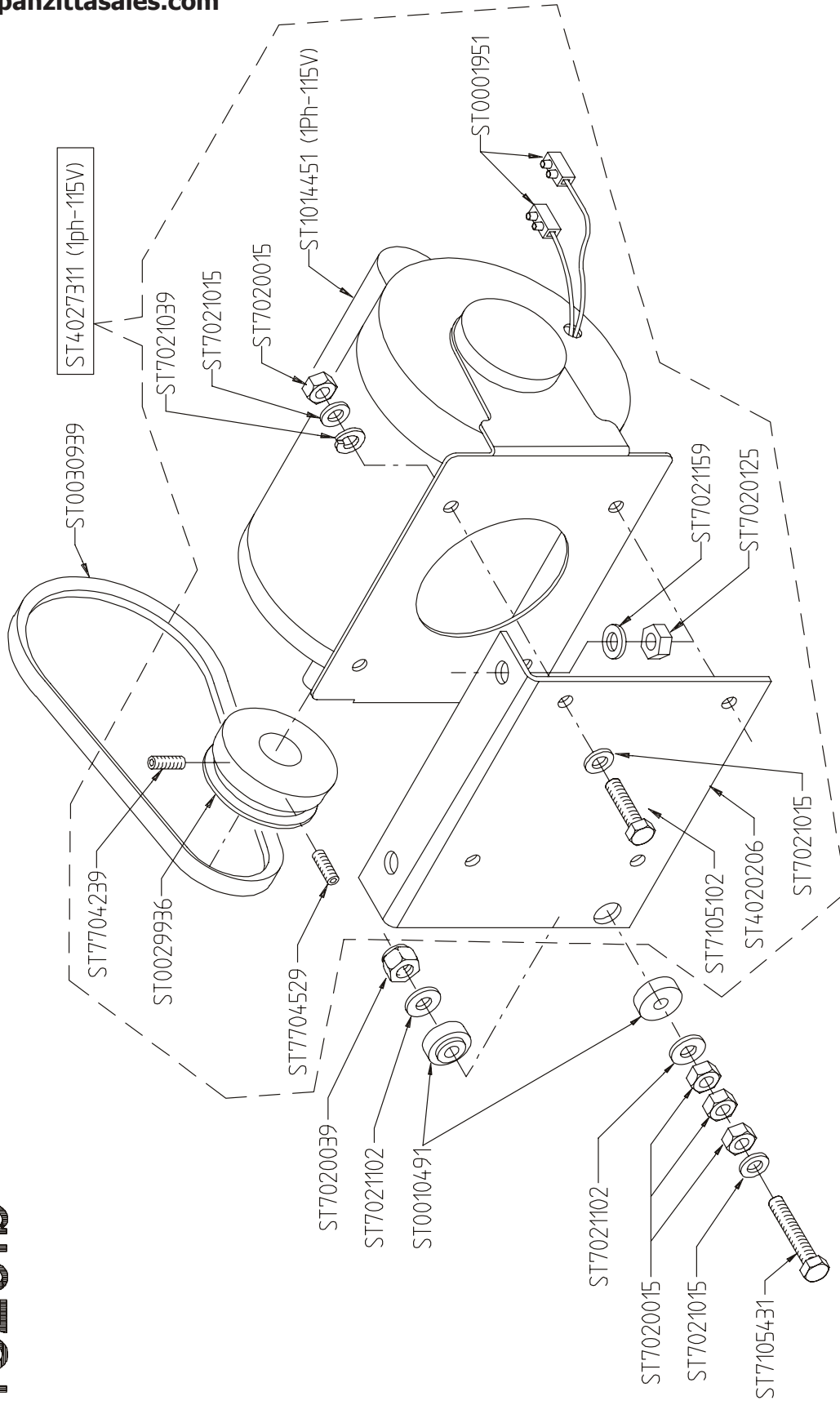


177-F-November-07

627



1320.b

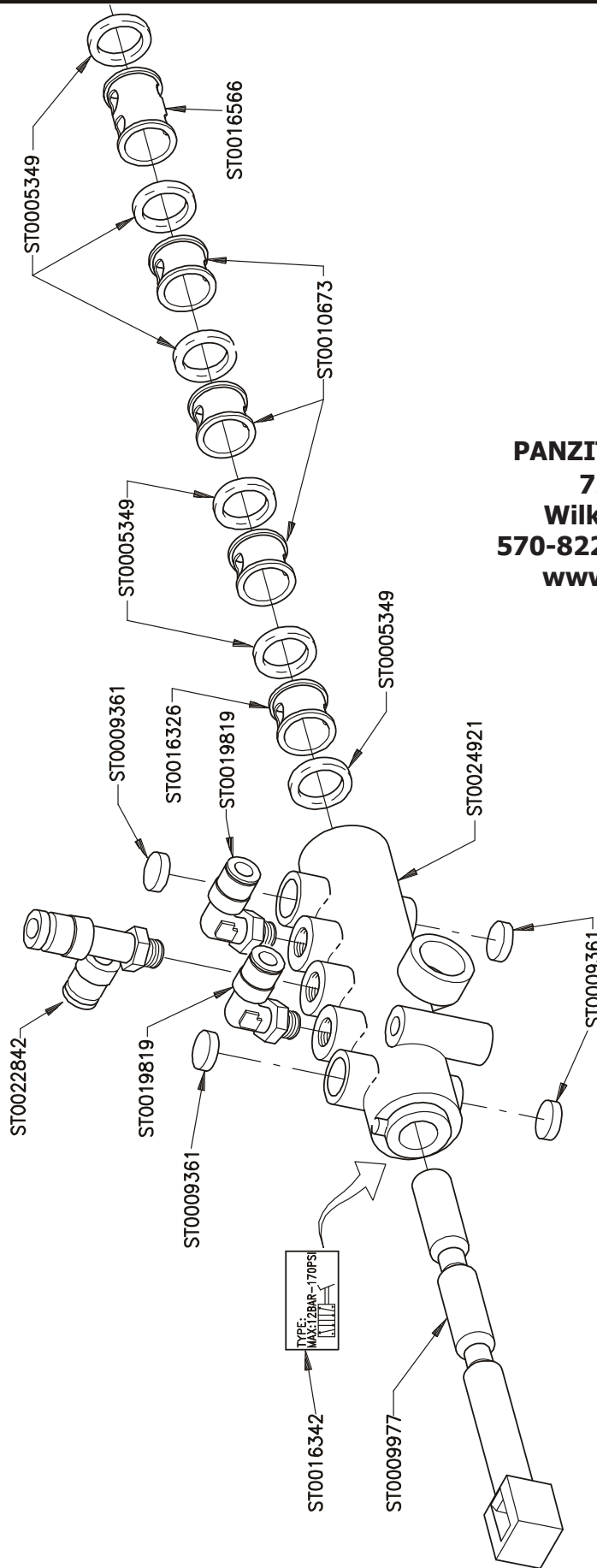


177-F-November-07

ST4025003
09/2003

PANZITTA SALES & SERVICE
72 George Avenue
Wilkes-Barre, PA 18705
570-822-6720 800-822-6720
www.panzittasales.com

1308

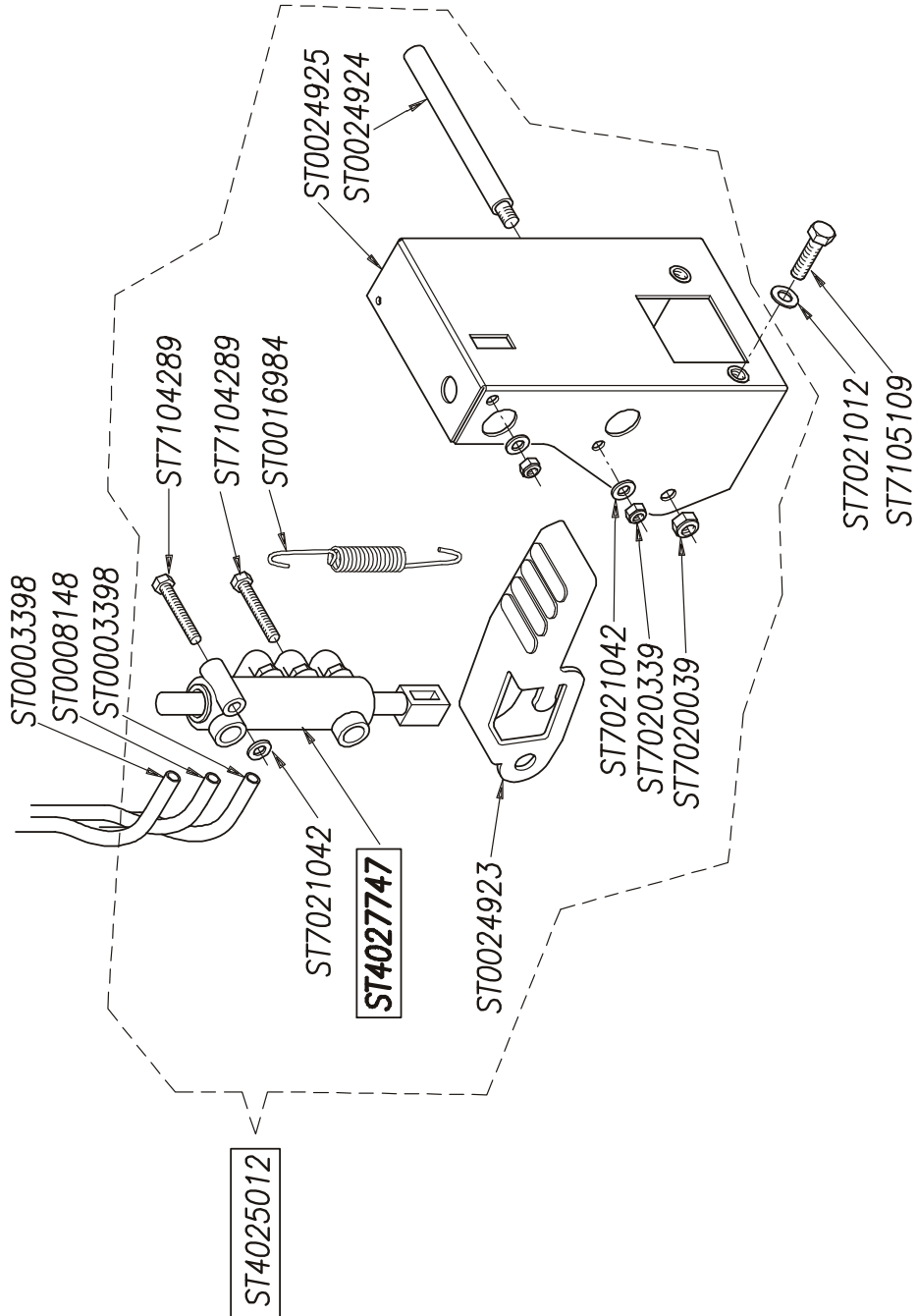


177-F-November-07

72 George Avenue
Wilkes-Barre, PA 18705
570-822-6720 800-822-6720
www.panzittasales.com

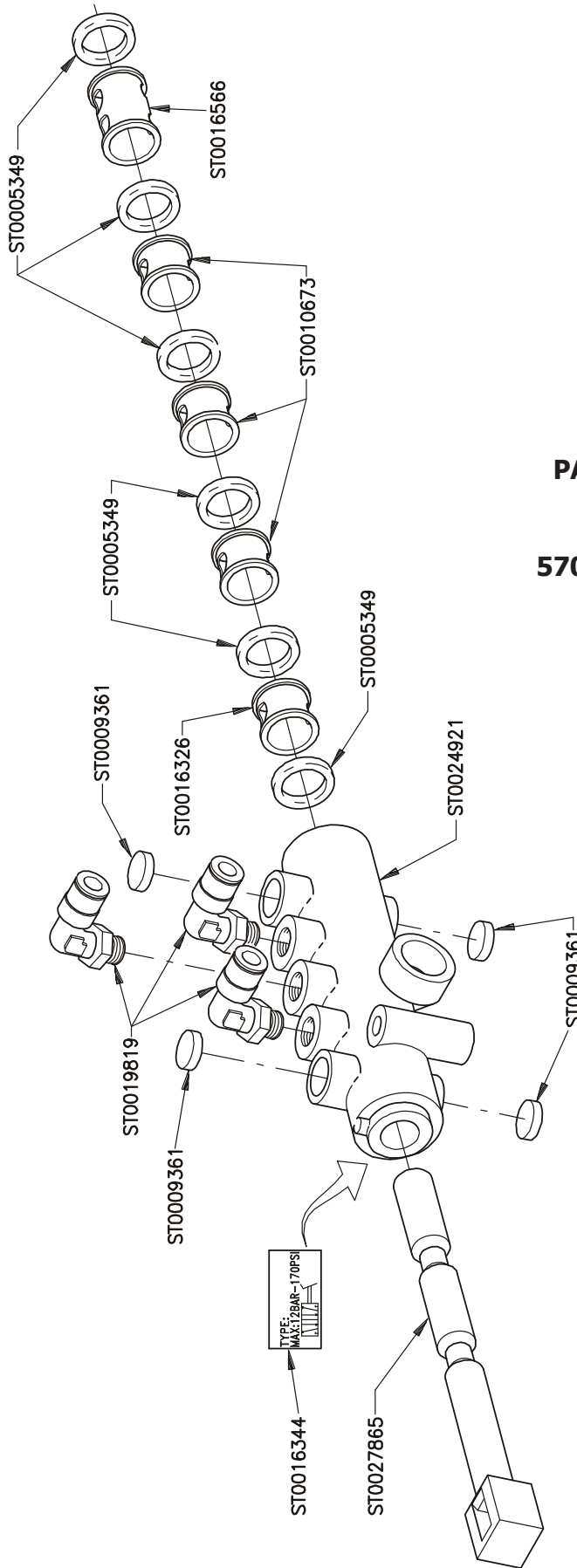
10/2003

177-F-November-07



1323

1309



PANZITTA SALES & SERVICE
72 George Avenue
Wilkes-Barre, PA 18705
570-822-6720 800-822-6720
www.panzittasales.com

ST4027747

09/2003

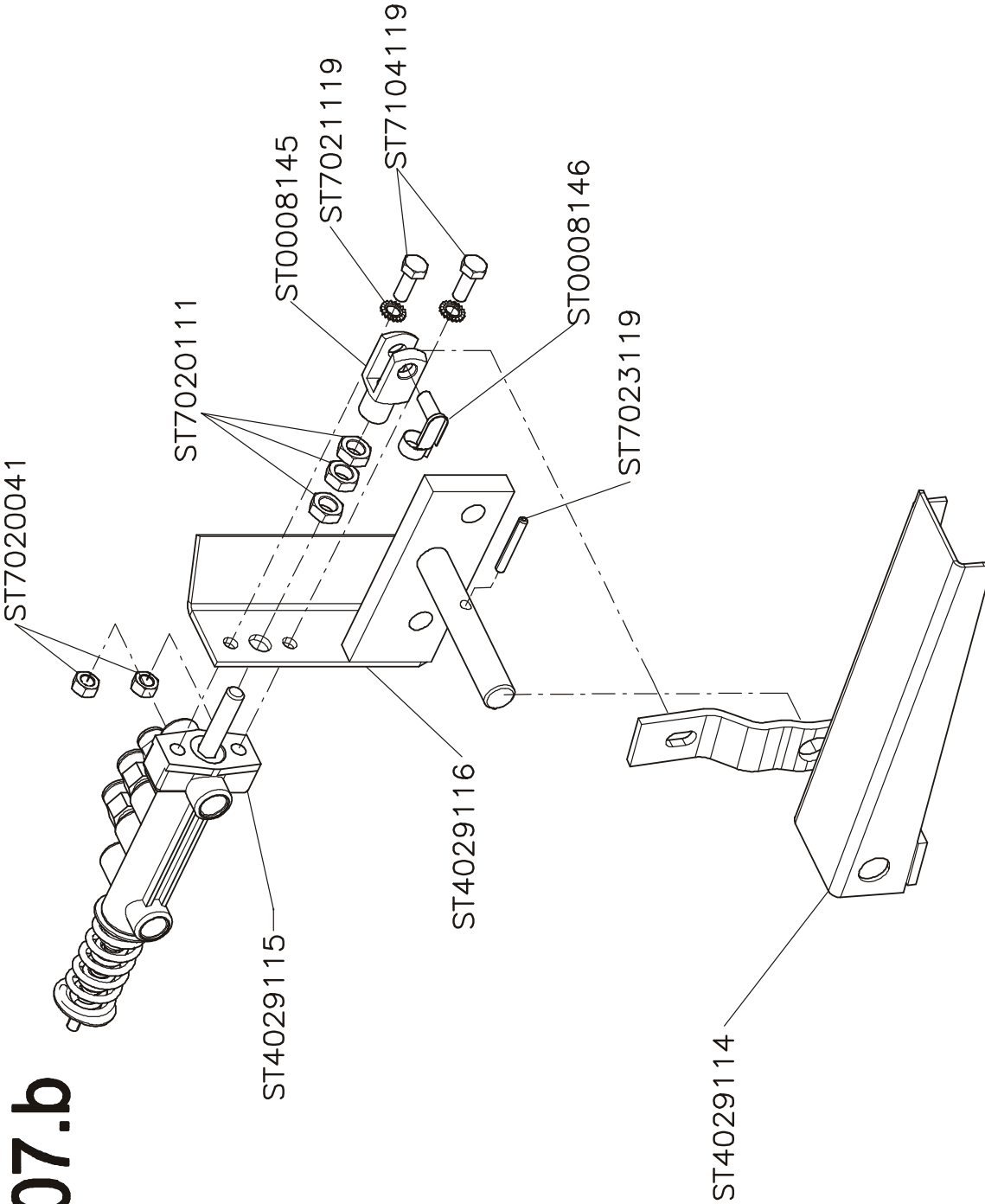
177-E-November-07

72 George Avenue
Wilkes-Barre, PA 18705
570-822-6720 800-822-6720
www.panzittasales.com

ST4029117

03/2006

177-F-November-07

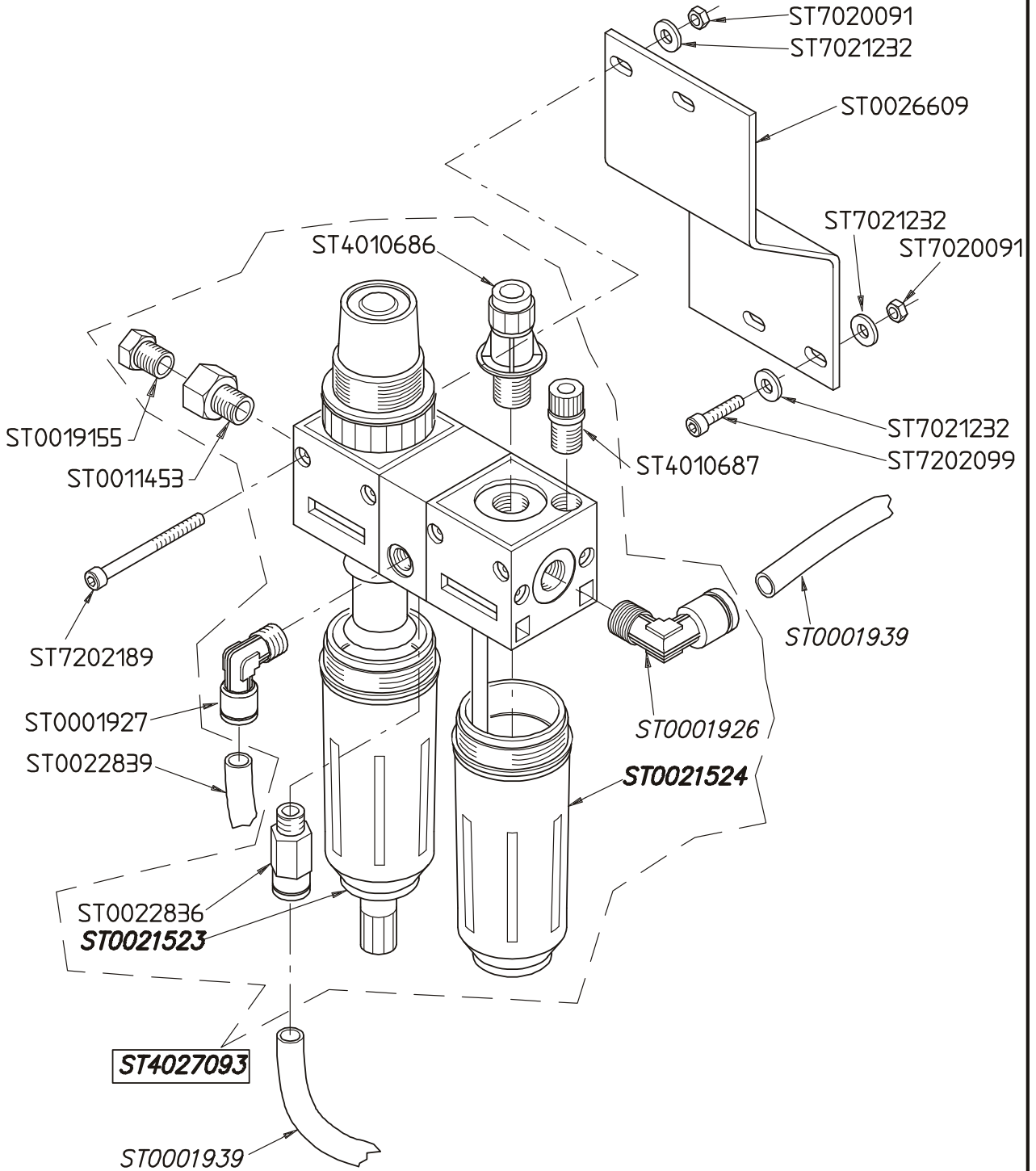


1507.b

1152.a

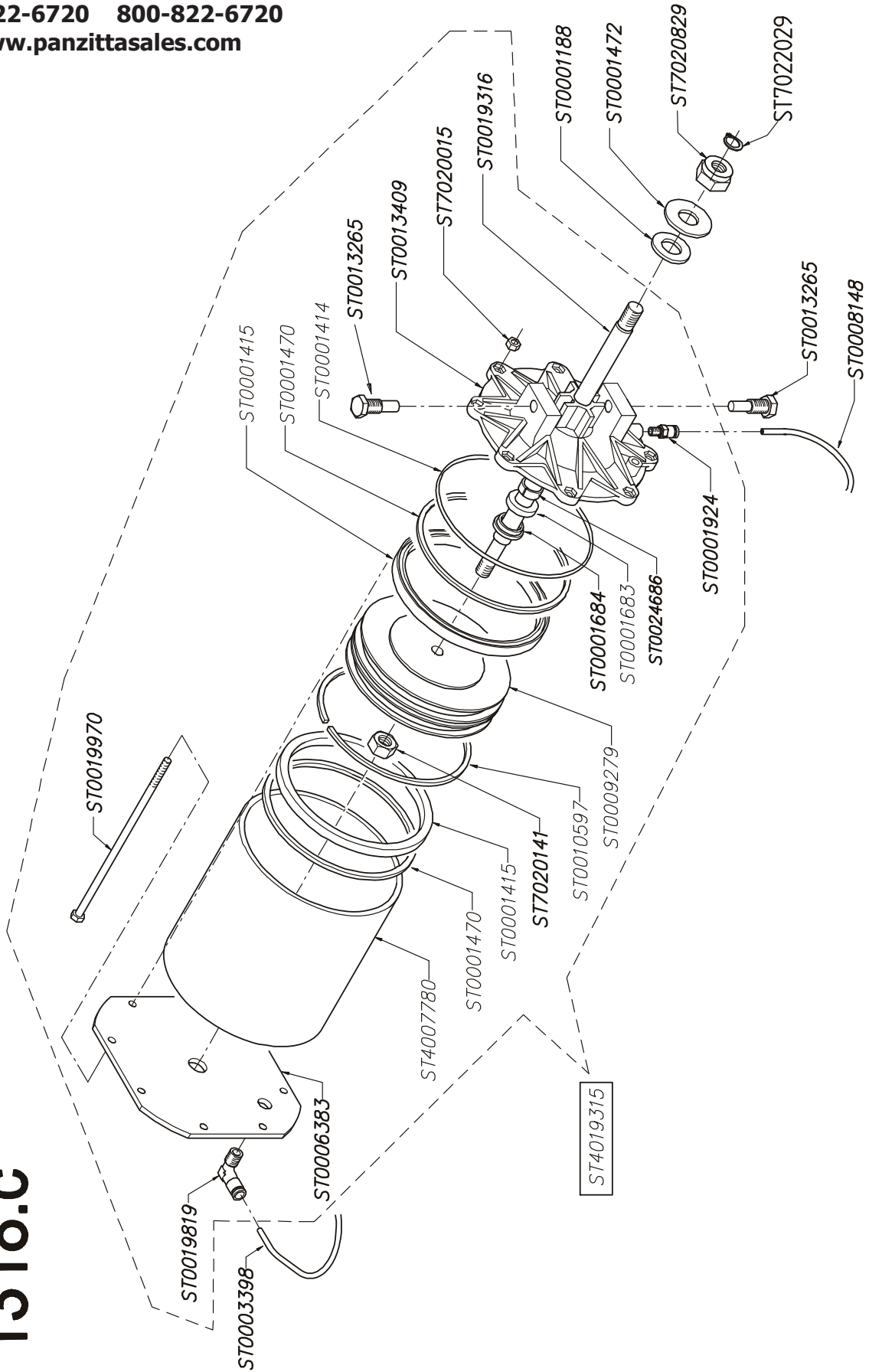
PANZITTA SALES & SERVICE
72 George Avenue
Wilkes-Barre, PA 18705
570-822-6720 800-822-6720
www.panzittasales.com

177-F-November-07



72 George Avenue
Wilkes-Barre, PA 18705
570-822-6720 800-822-6720
www.panzittasales.com

1318.C



177-E-November-07

1515.a

177-F-November-07

