



Cable Sheave / Pulleys and Chain Roller Identification Guide

DIRECTFIT™

Automotive Shop Equipment | Auto Lift Repair Parts

SVI's Extensive Product Line also includes auto lift cables, chain, and much more!



SVI International, Inc.

155 Harvestore Drive • DeKalb, IL 60115

800-321-8173

815-748-0200

www.sviinternational.com

*Huge Selection of Cables, Chain,
Sheaves / Pulleys, Chain Rollers!
Call the Experts! **800-321-8173***

SERVICE • **V**ALUE • **I**NNOVATION
OLUTIONS • ISTON • DEAS



Table of Contents

Cable Sheaves / Pulleys..... 3–6

 Step 1: Measure Your Sheave 3

 Step 2: Select-A-Size..... 3–5

 Step 3: Customize 6, 12

Chain Rollers 7–9

 Step 1: Measure Your Chain Roller 7

 Step 2: Select-A-Size..... 7–8

 Step 3: Customize 9, 13

Sheave Shaft Customization 10–11

 Sheave Shaft Worksheet (with Cotter Pin Retainers)..... 10, 14

 Sheave Shaft Worksheet (with Snap Ring Retainers) 10, 15

Forms..... 12–15

SVI makes it easy. **DIRECTFIT™**

All SVI parts are produced to meet or exceed industry standards. With sheaves that range from aluminum sheave to nylon with sealed roller bearings, we can find the pulleys and parts you require today. With over 15,000 of quality repair parts available in-stock from SVI, you will always find what you need, when you need it. At SVI, there are no such things as discontinued sheaves and chain rollers—when a part isn’t available, we make one.

SVI International, Inc.

155 Harvestore Drive • DeKalb, IL 60115

800-321-8173

815-748-0200

www.sviinternational.com



Select-A-Size or Customize

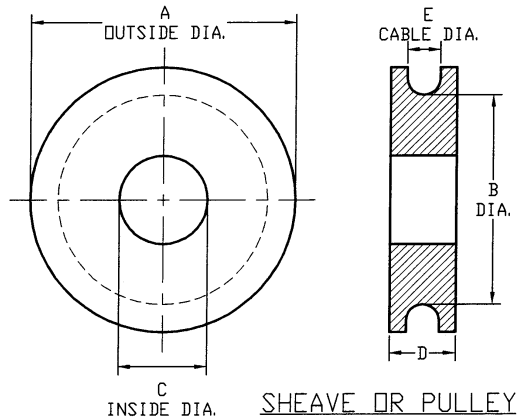
Cable Sheaves / Pulleys



STEP #1:
Measure
your Pulley



SVI is your
answer!



SHEAVE OR PULLEY



Cable Sheaves / Pulleys

STEP #2: *Select-A-Size* (continues on next page)

***Material:**
S = Steel
P = Plastic
A = Aluminum

Don't see the size you need? Move to step 3 and customize. SVI makes it easy!

SVI Part #	A	B	C	D	E	MATERIAL	NOTES
BH-7109-96	Ø1-1/8	Ø 15/16	Ø 25/64	7/8	Ø 3/8	P	Single Pulley
BH-7435-21	Ø1-1/4	Ø1	Ø 47/64	5/16	Ø 1/8	S	Single Pulley
BH-7229-20	Ø1-1/2	Ø1-1/4	Ø 1/4	9/32	Ø 1/8	P	Single Pulley
BH-7250-76	Ø1-1/2	Ø1-5/16	Ø 15/64	7/32	Ø 3/16	A	Single Pulley
BH-7517-24	Ø1-9/16	Ø1	Ø 3/8	5/8	Ø 7/16	P	Single Pulley
BH-7233-88	Ø1-19/32	Ø1	Ø 3/8	5/8	Ø 3/8	P	Single Pulley
BH-7516-32	Ø1-3/4	Ø1	Ø 1/2	7/8	Ø 5/8	S	Single Pulley
BH-7104-08	Ø1-3/4	Ø1-3/8	Ø 1/4	9/32	Ø 1/8	P	Single Pulley
BH-7145-29	Ø2	Ø 3/4	Ø 25/64	3/4	Ø 7/16	P	Single Pulley
BH-7791-78	Ø2	Ø1-15/32	Ø 25/64	9/16	Ø 1/8	P	Single Pulley
2020-002A	Ø2	Ø1-5/8	Ø 1/2	1/2	Ø 1/8	A	Single Pulley
2060-020	Ø2	Ø1-5/8	Ø 21/32	29/64	Ø 1/4	P	Single Pulley
BH-7592-06	Ø2	Ø1-5/8	Ø1	3/8	Ø 3/16	S	Single Pulley
BH-7208-56	Ø2-1/2	Ø2	Ø 1/2	7/16	Ø 1/8	S	Single Pulley
2020-003A	Ø3	Ø2-7/32	Ø 1/2	3/4	Ø 1/4	A	Single Pulley
BH-7793-42	Ø3	Ø2-19/64	Ø 3/4	5/8	Ø 5/16	S	Single Pulley
2060-021	Ø3	Ø2-5/16	Ø 29/32	11/16	Ø 1/4	P	Single Pulley
BH-7229-18	Ø3	Ø2-3/8	Ø 3/8	9/16	Ø 1/4	S	Single Pulley
BH-7592-05	Ø3	Ø2-3/8	Ø1	5/8	Ø 1/4	S	Single Pulley
BH-7234-40	Ø3	Ø2-25/64	Ø 3/4	5/8	Ø 3/8	S	Single Pulley
BH-7476-51	Ø3	Ø2-13/32	Ø 3/4	5/8	Ø 3/8	S	Single Pulley
BH-7475-81	Ø3	Ø2-1/2	Ø 3/4	1/2	Ø 1/4	S	Single Pulley
BH-7151-65	Ø3	Ø2-9/16	Ø 3/8	5/8	Ø 3/8	P	Single Pulley
3050-003A	Ø3	Ø2-37/64	Ø 19/32	1/2	Ø 5/16	S	Single Pulley
BH-7452-29	Ø3-1/4	Ø2-1/2	Ø1-9/16	39/64	Ø 3/8	P	Single Pulley
BH-7450-01A	Ø3-5/16	Ø2-1/2	Ø1-3/16	39/64	Ø 3/8	P	Single Pulley
BH-7240-10	Ø3-11/32	Ø2-9/16	Ø1-3/16	21/32	Ø 7/16	P	Single Pulley
BH-7104-04	Ø3-7/16	Ø2-5/8	Ø 3/4	3/4	Ø 1/4	S	Single Pulley
BH-7233-101	Ø3-1/2	Ø2-1/2	Ø20MM	1	Ø 5/16	P	Single Pulley
BH-7233-151	Ø3-1/2	Ø2-1/2	Ø20MM	1	Ø 3/8	P	Single Pulley
BH-7435-73	Ø3-1/2	Ø2-11/16	Ø1	3/4	Ø 5/16	S	Single Pulley
BH-7437-86	Ø3-1/2	Ø2-3/4	Ø 3/4	3/4	Ø 5/16	S	Single Pulley

***Material:** S = Steel, P = Plastic, A = Aluminum

More sizes on the next page

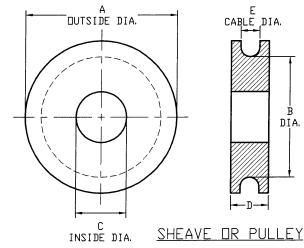


Cable Sheaves / Pulleys

STEP #2: *Select-A-Size*

(continued from previous page)

***Material:**
 S = Steel
 P = Plastic
 A = Aluminum



SVI Part #	A	B	C	D	E	MATERIAL	NOTES
BH-7239-115	Ø3-1/2	Ø2-53/64	Ø 3/4	25/32	Ø 5/16	S	Single Pulley
BH-7116-08	Ø3-1/2	Ø2-27/32	Ø 3/4	3/4	Ø 5/16	P	Single Pulley
BH-7530-01	Ø3-1/2	Ø2-27/32	Ø 3/4	27/32	Ø 5/16	S	Single Pulley
BH-7530-01N	Ø3-1/2	Ø2-27/32	Ø 3/4	27/32	Ø 5/16	P	Single Pulley
BH-7100-00	Ø3-1/2	Ø2-7/8	Ø 3/4	9/16	Ø 9/32	P	Single Pulley
BH-7100-00S	Ø3-1/2	Ø2-7/8	Ø 3/4	9/16	Ø 9/32	S	Single Pulley
BH-7528-85	Ø3-1/2	Ø2-31/32	Ø 3/4	3/4	Ø 5/16	S	Single Pulley
BH-7232-08	Ø3-9/16	Ø2-15/16	Ø1	15/16	Ø 1/4	P	Single Pulley
BH-7486-27	Ø3-5/8	Ø2-27/32	Ø25MM	3/5	Ø 3/8	S	Single Pulley
BH-7378-06	Ø3-5/8	Ø2-7/8	Ø1	3/4	Ø 3/8	S	Single Pulley
BH-7500-50	Ø3-5/8	Ø2-31/32	Ø 3/4	23/32	Ø 5/16	S	Single Pulley
BH-7500-50N	Ø3-5/8	Ø2-31/32	Ø 3/4	23/32	Ø 5/16	P	Single Pulley
BH-7487-23	Ø3-3/4	Ø2-29/32	Ø25MM	3/4	Ø 3/8	S	Single Pulley
BH-7702-20	Ø3-3/4	Ø3	Ø1-1/4	1-1/2	Ø 7/16	S	Dual Pulley
BH-7480-16	Ø3.897 [Ø99MM]	Ø3.110 [Ø79MM]	Ø25MM	.748 [19MM]	10MM	S	Single Pulley
BH-7770-10	Ø4	Ø3-1/8	Ø 3/4	3/4	Ø 3/8	S	Single Pulley; KIT
BH-7150-20	Ø4	Ø3-3/16	Ø 3/4	7/8	Ø 3/8	S	Single Pulley
BH-7180-01	Ø4	Ø3-1/4	Ø 3/4	3/4	Ø 3/8	S	Single Pulley
BH-7180-02	Ø4	Ø3-1/4	Ø 3/4	1-3/4	Ø 3/8	S	Single Pulley
BH-7180-03	Ø4	Ø3-1/4	Ø 3/4	1-5/8	Ø 3/8	S	Dual Pulley
BH-7202-007	Ø4	Ø3-1/4	Ø 3/4	3/4	Ø 7/16	S	Single Pulley
BH-7255-57	Ø4	Ø3-1/4	Ø 47/64	13/16	Ø 7/16	S	Single Pulley
BH-7352-73	Ø4	Ø3-1/4	Ø 5/8	3/4	Ø 3/8	P	Single Pulley
BH-7771-06	Ø4	Ø3-1/4	Ø 3/4	3/4	Ø 3/8	S	Single Pulley
BH-7270-086	Ø4	Ø3-17/64	Ø 3/4	3/4	Ø 3/8	S	Single Pulley
BH-7250-56	Ø4	Ø3-3/8	Ø 3/4	5/8	Ø 7/16	S	Single Pulley
BH-7351-48	Ø4-7/16	Ø3-3/8	Ø 5/8	7/8	Ø 3/8	S	Single Pulley
BH-7354-51	Ø4-7/16	Ø3-3/8	Ø 3/4	7/8	Ø 3/8	S	Single Pulley
BH-7354-52	Ø4-7/16	Ø3-3/8	Ø1-1/8	13/16	Ø 3/8	S	Single Pulley
BH-7350-40	Ø4-7/16	Ø3-7/16	Ø 5/8	7/8	Ø 5/16	S	Single Pulley
BH-7351-51	Ø4-7/16	Ø3-7/16	Ø1	25/32	Ø 3/8	S	Single Pulley
3025-026B	Ø4-1/2	Ø3-17/32	Ø25MM	11/16	Ø 5/16	P	Single Pulley
3025-026B-1	Ø4-1/2	Ø3-17/32	Ø62MM	11/16	Ø 5/16	P	Single Pulley
3025-040	Ø4-1/2	Ø3-9/16	Ø1-5/32	3/4	Ø 5/16	P	Single Pulley
BH-7545-60	Ø4-5/8	Ø3-61/64	Ø1	1	Ø 7/16	S	Single Pulley
BH-7270-013	Ø4-3/4	Ø3-7/8	Ø1	3/4	Ø 3/8	S	Single Pulley
BH-7235-00	Ø4-3/4	Ø4	Ø1-3/8	3/4	Ø 3/8	S	Single Pulley
BH-7702-82	Ø4-3/4	Ø4-1/8	Ø1	3/4	Ø 3/16	S	Single Pulley
BH-7103-50	Ø5	Ø3-3/4	Ø1	1	Ø 7/16	S	Single Pulley
BH-7790-91	Ø5	Ø3-3/4	Ø1	1	Ø 7/16	S	Single Pulley
3025-008	Ø5	Ø3-7/8	Ø1-5/32	1-5/8	Ø 5/16	P	Single Pulley
BH-7151-20	Ø5	Ø3-15/16	Ø 3/4	7/8	Ø 5/16	S	Single Pulley
BH-7100-32	Ø5	Ø4	Ø 3/4	15/16	Ø 1/2	S	Single Pulley
BH-7151-22	Ø5	Ø4-1/8	Ø 3/4	7/8	Ø 3/8	S	Single Pulley
3025-044	Ø5	Ø4-3/16	Ø 5/8	1-5/8	Ø 5/16	P	Single Pulley
2020-012	Ø5	Ø4-1/4	Ø 7/8	3/4	Ø 3/8	A	Single Pulley
BH-7479-204	Ø5	Ø4-1/4	Ø25MM	41/64	Ø 3/8	S	Single Pulley
BH-7226-13	Ø5	Ø4-5/16	Ø1-3/8	15/16	Ø 7/16	S	Single Pulley

P
a
g
e

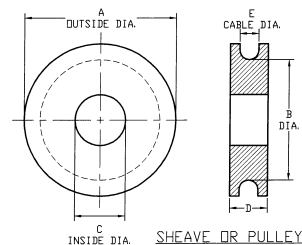


Cable Sheaves / Pulleys

STEP #2: *Select-A-Size*

(continued from previous page)

***Material:**
 S = Steel
 P = Plastic
 A = Aluminum



SVI Part #	A	B	C	D	E	MATERIAL	NOTES
3050-002A	Ø5	Ø4-3/8	Ø 5/8	43/64	Ø 5/16	S	Single Pulley
BH-7229-34	Ø5	Ø4-3/8	Ø1	63/64	Ø 5/16	P	Single Pulley
BH-7229-34S	Ø5	Ø4-3/8	Ø1	63/64	Ø 5/16	S	Single Pulley
BH-9702-02A	Ø5	Ø4-1/2	Ø 3/4	1-3/16	Ø 5/16	S	Dual Pulley
BH-9701-02	Ø5-5/32	Ø4-5/8	Ø 3/4	2-1/8	Ø 5/16	S	Quad Pulley, KIT <i>BH-9701-02A is the pulley</i>
BH-7479-57	Ø5-7/8	Ø5-1/16	Ø1-3/8	1-15/16	Ø 1/2	S	Single Pulley
BH-7250-49	Ø6	Ø5-5/16	Ø 7/8	7/8	Ø 7/16	S	Single Pulley
BH-7254-71	Ø6	Ø5-3/8	Ø1-1/2	21/32	Ø 7/16	S	Single Pulley
BH-7235-66	Ø6-1/8	Ø5-3/8	Ø1-3/8	3/4	Ø 3/8	S	Single Pulley
BH-7479-56	Ø6-3/8	Ø5	Ø1-3/8	1-3/4	Ø 1/2	S	Single Pulley
BH-7285-08	Ø6-3/4	Ø5-1/2	Ø1-1/2	45/64	Ø 3/8	S	Single Pulley
BH-7790-11	Ø6-3/4	Ø5-33/64	Ø1-1/2	61/64	Ø 7/16	S	Single Pulley
BH-7150-63	Ø6-3/4	Ø5-9/16	Ø1-5/8	7/8	Ø 7/16	S	Dual Pulley
BH-7150-67	Ø6-3/4	Ø5-9/16	Ø1-5/8	7/8	Ø 1/2	S	Single Pulley
BH-7285-11	Ø6-3/4	Ø6-1/8	Ø1-1/2	1	Ø 3/8	S	Single Pulley
BH-7287-86	Ø6-3/4	Ø6-1/8	Ø1-1/2	47/64	Ø 3/8	S	Single Pulley
BH-7151-31	Ø6-13/16	Ø5-11/16	Ø1-5/8	7/8	Ø 7/16	S	Single Pulley
BH-7501-40	Ø7	Ø5-31/32	Ø1-1/4	13/16	Ø 3/8	S	Single Pulley
BH-7239-83	Ø7	Ø6	Ø40MM	7/8	Ø 1/2	S	Single Pulley
BH-7222-04	Ø7	Ø6-1/8	Ø1-5/8	1	Ø 5/16	S	Single Pulley
BH-7436-31	Ø7-1/4	Ø6-1/8	Ø1-1/2	1-3/8	Ø 3/8	S	Single Pulley
BH-7794-19	Ø7-7/8	Ø6-3/4	Ø1-1/2	1	Ø 5/8	S	Single Pulley
BH-7793-51	Ø7-7/8	Ø6-13/16	Ø1-1/2	1	Ø 5/8	S	Single Pulley
BH-7166-400	Ø7-7/8	Ø7	Ø1-3/8	25/32	Ø	S	Single Pulley
BH-7792-72	Ø8	Ø6-5/8	Ø1-1/2	2	Ø 9/16	S	Single Pulley
BH-7212-159	Ø8	Ø7-1/8	Ø30MM	1	Ø 7/16	S	Single Pulley
BH-7212-081	Ø8	Ø7-1/4	Ø45MM	2	Ø 3/8	S	Triple Pulley
BH-7501-45	Ø8-1/8	Ø7	Ø1-1/2	7/8	Ø 7/16	S	Single Pulley
BH-7232-71	Ø8-3/16	Ø6-15/16	Ø1	7/8	Ø 7/16	S	Single Pulley
BH-7232-71G	Ø8-3/16	Ø6-15/16	Ø1	7/8	Ø 7/16	S	Single Pulley
BH-7204-015	Ø8-1/4	Ø7-3/8	Ø40MM	29/32	Ø 7/16	S	Single Pulley
BH-7213-55	Ø8-5/16	Ø7-3/8	Ø1-1/4	13/16	Ø 7/16	S	Single Pulley
BH-7531-51	Ø8-13/16	Ø7-11/16	Ø1-1/2	7/8	Ø 7/16	S	Single Pulley
BH-7531-51G	Ø8-13/16	Ø7-11/16	Ø1-1/2	7/8	Ø 7/16	S	Single Pulley, Greaseable
BH-7102-23	Ø9	Ø8	Ø1-1/2	2	Ø 7/16	S	Single Pulley
BH-7102-88	Ø9	Ø8	Ø1-1/2	2	Ø 7/16	S	Single Pulley
BH-7151-67	Ø9-1/8	Ø7-13/16	Ø1-5/8	1-3/8	Ø 7/16	S	Single Pulley
BH-7151-48	Ø9-1/4	Ø8	Ø1-5/8	15/16	Ø 7/16	S	Single Pulley
BH-7154-04	Ø9-1/4	Ø8	Ø1-5/8	3-3/4	Ø 7/16	S	Dual Pulley
BH-7157-46	Ø9-1/4	Ø8	Ø1-5/8	3-3/4	Ø 1/2	S	Single Pulley
BH-7531-56	Ø9-1/4	Ø8	Ø1-1/2	1	Ø 1/2	S	Single Pulley
BH-7233-208	Ø9-1/4	Ø8-1/8	Ø1-1/2	.984 [25MM]	Ø 1/2	S	Single Pulley
BH-7239-300	Ø10	Ø9	Ø40MM	7/8	Ø 1/2	S	Single Pulley
BH-7516-21	Ø10-1/8	Ø9-1/16	Ø1-1/2	7/8	Ø 7/16	S	Single Pulley
BH-7234-419	Ø10-3/8	Ø9	Ø1-1/2	7/8	Ø 7/16	S	Single Pulley
BH-7479-210	Ø10.452 [265.50MM]	Ø9.547 [242.50MM]	Ø57MM	.984 [25MM]	11MM	S	Single Pulley
BH-7202-013	Ø11-1/4	Ø10	Ø1-1/2	1-1/8	Ø 5/8	S	Single Pulley
BH-7501-50	Ø11-3/4	Ø10	Ø1-1/2	1-13/64	Ø 5/8	S	Single Pulley

Don't see the size you need? Move to step 3 and customize. SVI makes it easy!



Cable Sheaves / Pulleys



STEP #3: *Customize*



If your pulley or chain roller size cannot be identified, copy this custom order sheet, fill it out and fax it to your SVI representative at fax # 800-899-1784. NOTE: A full-size form is available in the Forms section of this catalog.

Cable Sheave Worksheet Be sure to include all 5 dimensions.

SHEAVE MATERIAL (STEEL, PLASTIC, ALUMINUM)

"A" OUTER DIAMETER

"E" CABLE DIAMETER

"D" WIDTH

"B" GROOVE DIAMETER

"C" OUTER DIAMETER OF SHAFT THAT FITS THROUGH SHEAVE INNER DIAMETER. MEASURE OUTSIDE DIAMETER IN AN AREA THAT IS NOT WORN. USE CALIPERS OR MICROMETER TO MEASURE. GIVE DIMENSION TO THE THOUSANDTHS PLACE. FOR EXAMPLE: 1.181" O. D.

NEED ONE OF THESE DIMENSIONS

CUSTOMER NAME: _____

PHONE #: _____

FAX #: _____

LIFT BRAND: _____

MODEL: _____

THIS DRAWING IS THE PROPERTY OF SVI INTERNATIONAL, INC. IT IS NOT TO BE USED OR DUPLICATED WITHOUT WRITTEN PERMISSION OF THE OWNER AND IS NOT TO BE USED IN ANY WAY INCONSISTENT WITH THE PURPOSE FOR WHICH IT WAS LOANED.

<p>SVI INTERNATIONAL, INC. 155 HARVESTORE DRIVE DEKALB, IL 60115 Automotive Service Equipment</p>	
	<p>PART NAME CABLE SHEAVE WORKSHEET</p>

NOTE: A full-size form is available in the Forms section of this catalog.

Select-A-Size or Customize

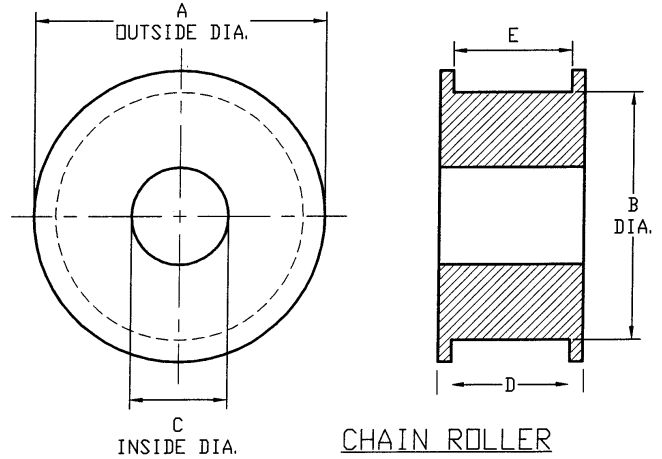
Chain Rollers



STEP #1: Measure your Chain Roller

DIRECTFIT™

- CHICAGO
- LOS ANGELES



Chain Rollers



STEP #2: *Select-A-Size*

SVI Part #	A	B	C	D	E
BH-7820-07	Ø2-1/2	Ø2-1/4	Ø20MM	1-13/16	1-3/8
BH-7238-23A	Ø2-39/64	Ø2-1/4	Ø1-1/4	1-13/16	1-3/8
BH-7256-18	Ø2-3/4	Ø2-23/64	Ø1-3/8	2-17/64	1-13/16
BH-7102-40	Ø2-3/4	Ø2-3/8	Ø 3/4	1-3/4	1-5/16
BH-7621-15	Ø2-3/4	Ø2-3/8	Ø 3/4	1-13/16	1-7/16
BH-7245-26	Ø2-3/4	Ø2-3/8	Ø 3/4	1-13/16	1-1/2
BH-7378-01	Ø2-3/4	Ø2-3/8	Ø 3/4	1-13/16	1-1/2
BH-7621-15	Ø2-3/4	Ø2-3/8	Ø 3/4	1-13/16	1-1/2
BH-7702-29	Ø2-3/4	Ø2-3/8	Ø 3/4	1-13/16	1-1/2
BH-7702-60	Ø2-3/4	Ø2-3/8	Ø 3/4	1-13/16	1-1/2
BH-7340-54	Ø2-3/4	Ø2-3/8	Ø 3/4	1-13/16	1-1/2
BH-7230-30	Ø2-3/4	Ø2-3/8	Ø 3/4	1-13/16	1-19/32
BH-7476-10	Ø2-3/4	Ø2-3/8	Ø 3/4	2-1/16	1-7/16
BH-7488-1586	Ø2-3/4	Ø2-3/8	Ø 7/8	2	1-7/16
BH-7472-01	Ø2-3/4	Ø2-3/8	Ø1-25/64	2-1/4	1-13/16
BH-7102-21	Ø2-3/4	Ø2-3/8	Ø1-1/2	1-13/16	1-7/16
BH-7110-27	Ø2-15/16	Ø2-3/8	Ø 3/4	1-3/4	1-1/2
BH-7760-99A	Ø3-1/2	Ø3-3/16	Ø1-3/8	1-17/32	1-1/32
BH-7761-03A	Ø3-1/2	Ø3-3/16	Ø1-3/8	1-11/16	1-5/16
BH-7476-49D1	Ø3-11/16	Ø3	Ø1	1-7/8	1-7/32

More sizes on the next page



Chain Rollers



STEP #2: *Select-A-Size*

DIRECTFIT™

SVI Part #	A	B	C	D	E
BH-7476-49D1	Ø3-7/8	Ø3-1/2	Ø1	1-3/4	1-11/32
BH-7208-19	Ø3-7/8	Ø3-1/2	Ø1-1/2	1-3/8	1-1/16
BH-7208-26	Ø3-7/8	Ø3-1/2	Ø1-1/2	1-3/8	1-1/16
BH-7237-84	Ø3-15/16	Ø3-11/16	Ø1-3/8	1-13/16	1-7/16
BH-7245-28	Ø4	Ø3-5/8	Ø 3/4	1-13/16	1-1/2
BH-7378-09	Ø4	Ø3-5/8	Ø 3/4	1-13/16	1-1/2
BH-7239-135	Ø4	Ø3-5/8	Ø 3/4	1-13/16	1-1/2
BH-7150-61	Ø4	Ø3-5/8	Ø 3/4	1-13/16	1-1/2
BH-7168-0112	Ø4	Ø3-5/8	Ø1	1-5/8	1
BH-7168-0305	Ø4	Ø3-5/8	Ø1	1-3/4	1-1/8
BH-7479-79	Ø4	Ø3-5/8	Ø1	1-3/4	1-3/8
BH-7103-53	Ø4	Ø3-5/8	Ø1	1-13/16	1-1/2
BH-7170-17	Ø4	Ø3-5/8	Ø1	1-13/16	1-1/2
BH-7245-27	Ø4	Ø3-5/8	Ø1	1-13/16	1-1/2
BH-7237-22	Ø4	Ø3-5/8	Ø1-1/4	1-13/16	1-13/32
BH-7239-46	Ø4	Ø3-3/4	Ø 3/4	1-25/32	1-3/8
BH-7621-19	Ø4	Ø3-3/4	Ø1-3/8	1-3/4	1-3/16
BH-7251-14	Ø4	Ø3-3/4	Ø1-3/8	1-15/16	1-9/16
BH-7621-14	Ø4-1/8	Ø3-3/4	Ø 3/4	1-13/16	1-7/16
BH-7375-35	Ø4-1/8	Ø3-3/4	Ø 3/4	1-13/16	1-1/2
BH-7702-68	Ø4-1/8	Ø3-3/4	Ø1	1-13/16	1-19/32
BH-7230-29	Ø4-1/8	Ø3-3/4	Ø1-3/8	1-13/16	1-19/32
BH-7205-24	Ø4-1/8	Ø3-3/4	Ø2-3/4	2-13/64	1-51/64
BH-7487-20	Ø4-1/2	Ø3-3/4	Ø26MM	2-5/16	1-13/16
BH-7703-06	Ø4-1/2	Ø4	Ø30MM	2-1/16	1-1/2
BH-7208-25	Ø4-3/4	Ø4-3/16	Ø1-1/4	1-1/2	1-1/16
BH-7208-46	Ø4-3/4	Ø4-3/16	Ø1-1/4	1-1/2	1-5/64
BH-7229-03	Ø5	Ø4	Ø1-3/8	1-21/32	1-1/8
BH-7229-15	Ø5	Ø4	Ø1-3/8	2-1/32	1-15/32
BH-7229-04A	Ø5	Ø4	Ø1-3/8	2-3/64	1-35/64
BH-7350-37	Ø5-7/16	Ø5-1/32	Ø1-1/2	2	1-5/8
BH-7350-48	Ø5-7/16	Ø5-1/32	Ø1-1/2	2-3/8	1-7/8
BH-7621-13	Ø5-1/2	Ø5	Ø1-3/8	1-3/4	1-15/32
BH-7351-07	Ø5-1/2	Ø5	Ø1-3/8	2-3/4	1-15/16

Don't see the size you need? Move to step 3 and customize. SVI makes it easy!



Chain Roller Customization



STEP #3: *Customize*



If your pulley or chain roller size cannot be identified, copy this custom order sheet, fill it out and fax it to your SVI representative at fax # 800-899-1784.
 NOTE: A full-size form is available in the Forms section of this catalog.

Chain Roller Worksheet

Be sure to include all 6 dimensions.

"A"
OUTER DIAMETER

"B"
GROOVE DIAMETER

"C"
OUTER DIAMETER OF SHAFT THAT FITS THROUGH CHAIN PULLEY INNER DIAMETER. MEASURE OUTSIDE DIAMETER IN AN AREA THAT IS NOT WORN. USE CALIPERS OR MICROMETER TO MEASURE. GIVE DIMENSION TO THE THOUSANDTHS PLACE. FOR EXAMPLE: 1.181" O. D.

"D"
WIDTH

"E"
INSIDE WIDTH

"F"
OVERALL WIDTH

NEED ONE OF THESE DIMENSIONS

PULLEY MAY OR MAY NOT HAVE THIS STEPPED HUB.

CHOOSE:

BRONZE BUSHING

ROLLER BEARING

CUSTOMER NAME: _____

PHONE #: _____

FAX #: _____

LIFT BRAND: _____

MODEL: _____

QUANTITY: _____

SVI INTERNATIONAL, INC.
 155 HARVESTORE DRIVE
 DEKALB, IL 60115
 Automotive Service Equipment

PART NAME: CHAIN ROLLER WORKSHEET

THIS DRAWING IS THE PROPERTY OF SVI INTERNATIONAL, INC. IT IS NOT TO BE USED OR DUPLICATED WITHOUT WRITTEN PERMISSION OF THE OWNER AND IS NOT TO BE USED IN ANY WAY INCONSISTENT WITH THE PURPOSE FOR WHICH IT WAS LOANED.

NOTE: A full-size form is available in the Forms section of this catalog.



Sheave Shaft Customization



STEP #4: *Customize*

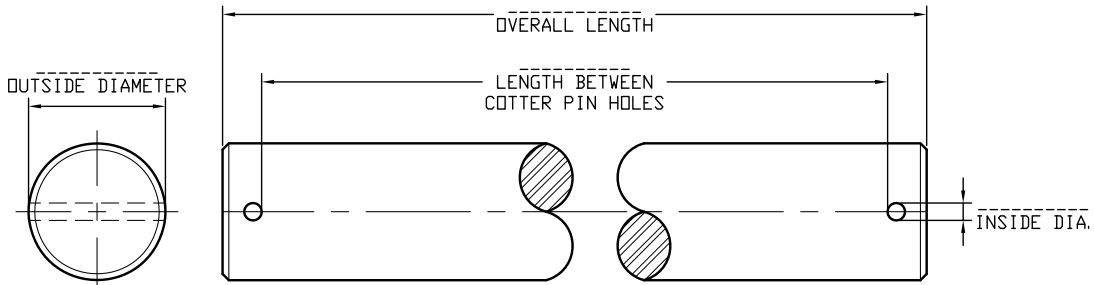


If your pulley or chain roller shaft cannot be identified, copy this custom order sheet, fill it out and fax it to your SVI representative at fax # 800-899-1784.

NOTE: A full-size form is available in the Forms section of this catalog.

Sheave Shaft Worksheet (with Cotter Pin Retainers)

MEASURE OUTSIDE DIAMETER
IN AN AREA THAT IS NOT WORN.
USE CALIPERS OR MICROMETER
TO MEASURE. GIVE DIMENSION
TO THE THOUSANDTHS PLACE.
FOR EXAMPLE: 1.181" O. D.



RECORD ALL MEASUREMENTS IN INCHES

NOTES:
1- REPLACEMENT SHAFT WILL BE SUPPLIED
WITH TWO NEW COTTER PINS.

CUSTOMER NAME: _____

PHONE #: _____

FAX #: _____

LIFT BRAND: _____

MODEL: _____

<p>SVI INTERNATIONAL, INC. 155 HARVESTORE DRIVE DEKALB, IL 60115 INTERNATIONAL Automotive Service Equipment</p>	SCALE: NONE
	DATE: 12/16/05
<p>PART NAME SHEAVE SHAFT WORKSHEET (WITH COTTER PIN RETAINERS)</p>	DRAWN BY: MM
	REV.
PART No.	REF.

THIS DRAWING IS THE PROPERTY OF SVI INTERNATIONAL, INC. IT IS NOT TO BE USED OR DUPLICATED WITHOUT WRITTEN PERMISSION OF THE OWNER AND IS NOT TO BE USED IN ANY WAY INCONSISTENT WITH THE PURPOSE FOR WHICH IT WAS LOANED.

NOTE: A full-size form is available in the Forms section of this catalog.



Sheave Shaft Customization



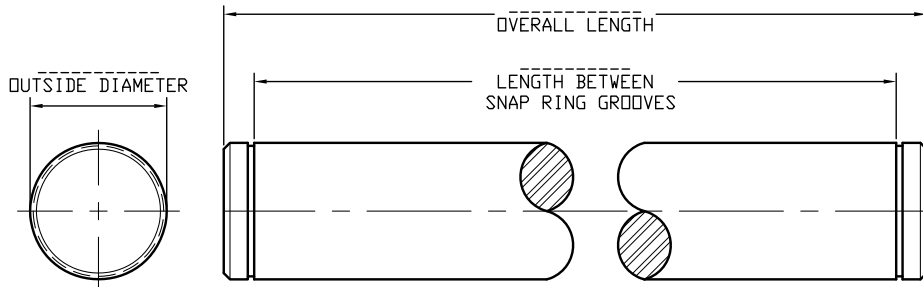
STEP #4: *Customize*



If your pulley or chain roller shaft cannot be identified, copy this custom order sheet, fill it out and fax it to your SVI representative at fax # 800-899-1784.
 NOTE: A full-size form is available in the Forms section of this catalog.

Sheave Shaft Worksheet (with Snap Ring Retainers)

MEASURE OUTSIDE DIAMETER
 IN AN AREA THAT IS NOT WORN.
 USE CALIPERS OR MICROMETER
 TO MEASURE. GIVE DIMENSION
 TO THE THOUSANDTHS PLACE.
 FOR EXAMPLE: 1.181" O. D.



RECORD ALL MEASUREMENTS IN INCHES

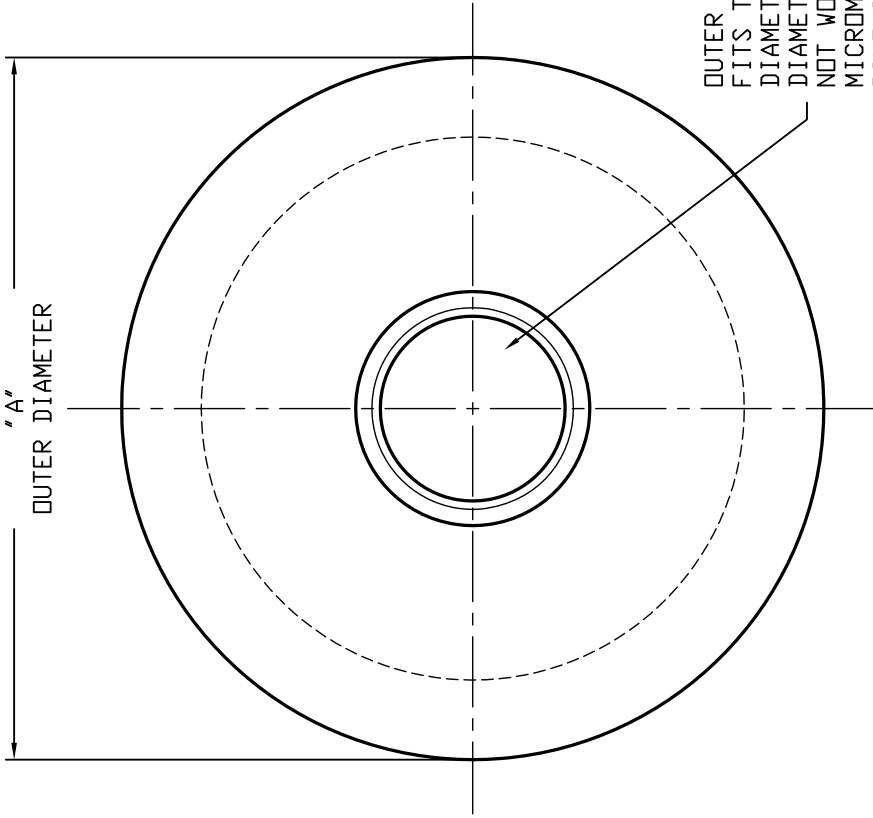
NOTES:
 1- REPLACEMENT SHAFT WILL BE SUPPLIED
 WITH TWO NEW SNAP RINGS.

CUSTOMER NAME: _____
 PHONE #: _____
 FAX #: _____
 LIFT BRAND: _____
 MODEL: _____

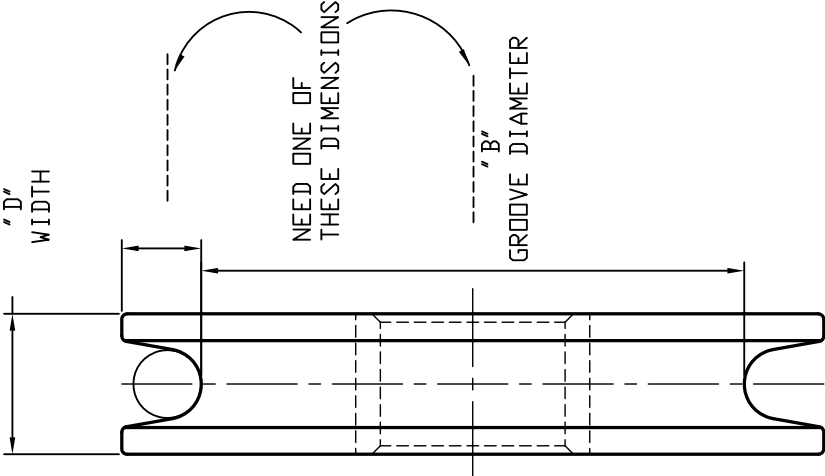
S V I INTERNATIONAL, INC. 155 HARVESTORE DRIVE DEKALB, IL 60115 Automotive Service Equipment	SCALE: NONE
	DATE: 12/16/05
SHEAVE SHAFT WORKSHEET (WITH SNAP RING RETAINERS)	DRAWN BY: MM
	REF.
PART No.	

THIS DRAWING IS THE PROPERTY OF SVI INTERNATIONAL, INC. IT IS NOT TO BE USED OR DUPLICATED WITHOUT WRITTEN PERMISSION OF THE OWNER AND IS NOT TO BE USED IN ANY WAY INCONSISTENT WITH THE PURPOSE FOR WHICH IT WAS LOANED.

NOTE: A full-size form is available in the Forms section of this catalog.



SHEAVE MATERIAL
(STEEL, PLASTIC,
ALUMINUM)



OUTER DIAMETER OF SHAFT THAT
FITS THROUGH SHEAVE INNER
DIAMETER. MEASURE OUTSIDE
DIAMETER IN AN AREA THAT IS
NOT WORN. USE CALIPERS OR
MICROMETER TO MEASURE. GIVE
DIMENSION TO THE THOUSANDTHS
PLACE. FOR EXAMPLE: 1.181" O. D.

CUSTOMER NAME:

PHONE #:

FAX #:

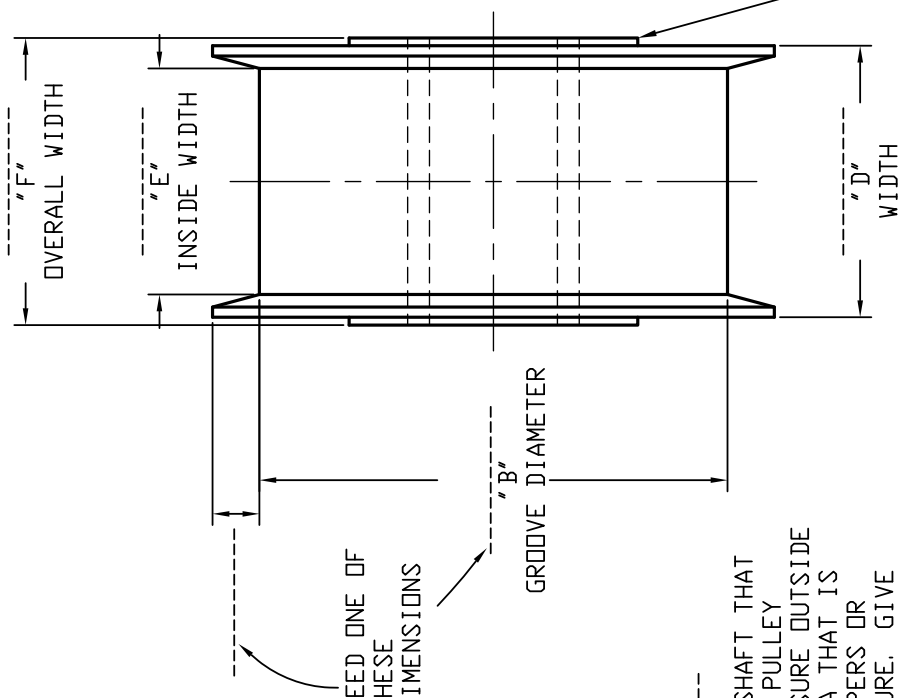
LIFT BRAND:

MODEL:

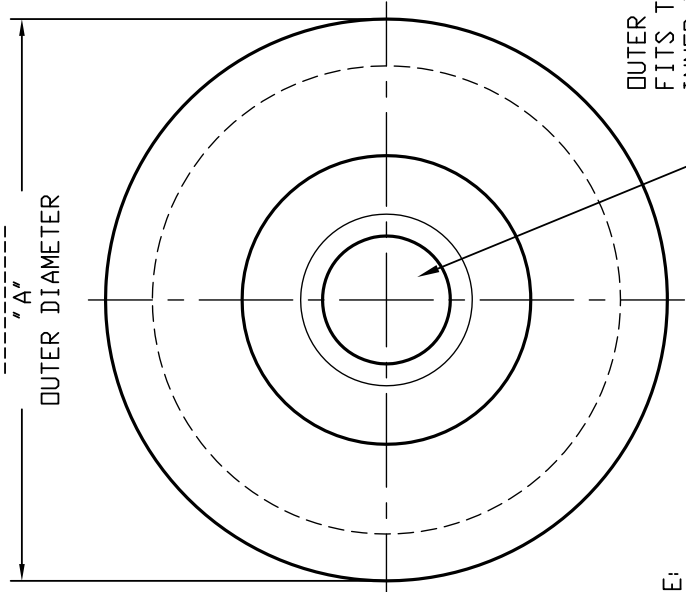
SVI INTERNATIONAL, INC.
155 HARVESTORE DRIVE
DEKALB, IL 60115
INTERNATIONAL Automotive Service Equipment

PART CABLE SHEAVE WORKSHEET
NAME

THIS DRAWING IS THE PROPERTY OF SVI INTERNATIONAL
INC. IT IS TO BE USED ONLY FOR THE PURPOSE FOR WHICH
IT WAS LOANED. NO REPRODUCTION OR TRANSMISSION
WITHOUT WRITTEN PERMISSION BY SVI INTERNATIONAL IS
TO BE USED IN ANY WAY INCONSISTENT WITH THE
PURPOSE FOR WHICH IT WAS LOANED.



PULLEY MAY OR MAY NOT HAVE THIS STEPPED HUB.



CHOOSE:

- BRONZE BUSHING
- ROLLER BEARING

OUTER DIAMETER OF SHAFT THAT FITS THROUGH CHAIN PULLEY INNER DIAMETER. MEASURE OUTSIDE DIAMETER IN AN AREA THAT IS NOT WORN. USE CALIPERS OR MICROMETER TO MEASURE. GIVE DIMENSION TO THE THOUSANDTHS PLACE. FOR EXAMPLE: 1.181" O. D.

CUSTOMER NAME: _____


PHONE #: _____

FAX #: _____

LIFT BRAND: _____

MODEL: _____

QUANTITY: _____

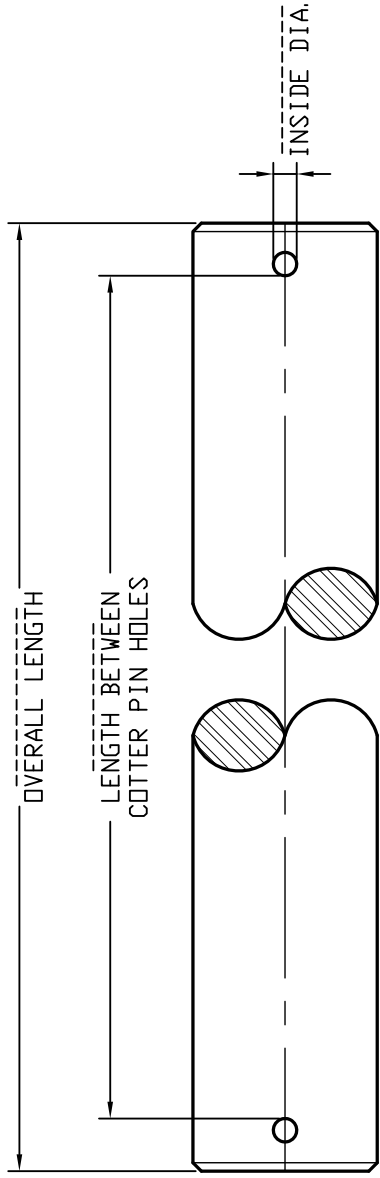
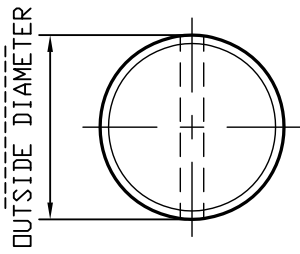


SVI INTERNATIONAL, INC.
 155 HARVESTORE DRIVE
 DEKALB, IL 60115
 INTERNATIONAL Automotive Service Equipment

PART NAME: CHAIN ROLLER WORKSHEET

THIS DRAWING IS THE PROPERTY OF SVI INTERNATIONAL INC. IT IS NOT TO BE USED OR DUPLICATED WITHOUT WRITTEN PERMISSION OF THE OWNER AND IS NOT TO BE USED IN ANY WAY INCONSISTENT WITH THE PURPOSE FOR WHICH IT WAS LOANED.

MEASURE OUTSIDE DIAMETER
 IN AN AREA THAT IS NOT WORN.
 USE CALIPERS OR MICROMETER
 TO MEASURE. GIVE DIMENSION
 TO THE THOUSANDTHS PLACE.
 FOR EXAMPLE: 1.181" O. D.



RECORD ALL MEASUREMENTS IN INCHES

NOTES:
 1- REPLACEMENT SHAFT WILL BE SUPPLIED
 WITH TWO NEW COTTER PINS.


CUSTOMER NAME: _____

PHONE #: _____

FAX #: _____

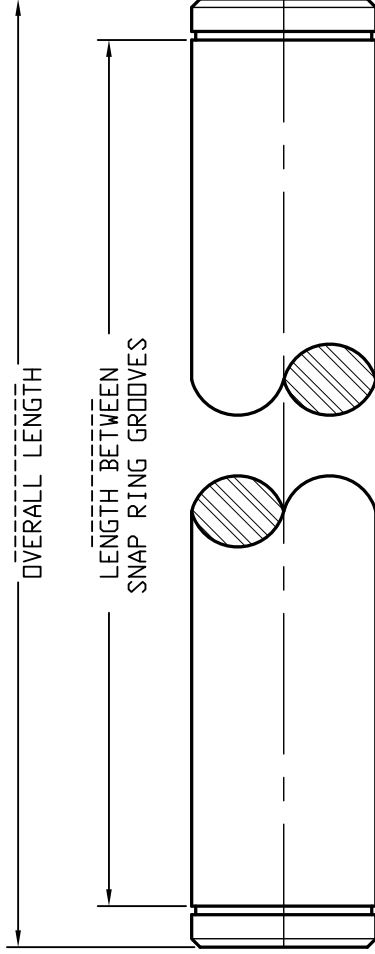
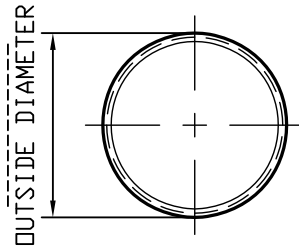
LIFT BRAND: _____

MODEL: _____

 SVI INTERNATIONAL, INC. 155 HARVESTORE DRIVE DEKALB, IL 60115 INTERNATIONAL Automotive Service Equipment	SCALE: NONE
	DATE: 12/16/05
	DRAWN BY: MM
	REV.
PART NAME	SHEAVE SHAFT WORKSHEET (WITH COTTER PIN RETAINERS)
PART No.	REF.

THIS DRAWING IS THE PROPERTY OF SVI INTERNATIONAL, INC. IT IS NOT TO BE USED OR DUPLICATED WITHOUT WRITTEN PERMISSION OF THE OWNER AND IS NOT TO BE USED IN ANY WAY INCONSISTENT WITH THE PURPOSE FOR WHICH IT WAS LOANED.

MEASURE OUTSIDE DIAMETER
 IN AN AREA THAT IS NOT WORN.
 USE CALIPERS OR MICROMETER
 TO MEASURE. GIVE DIMENSION
 TO THE THOUSANDTHS PLACE.
 FOR EXAMPLE: 1.181" O. D.



RECORD ALL MEASUREMENTS IN INCHES

NOTES:
 1- REPLACEMENT SHAFT WILL BE SUPPLIED
 WITH TWO NEW SNAP RINGS.


CUSTOMER NAME: _____

PHONE #: _____

FAX #: _____

LIFT BRAND: _____

MODEL: _____

 SVI INTERNATIONAL, INC. 155 HARVESTORE DRIVE DEKALB, IL 60115 INTERNATIONAL Automotive Service Equipment	SCALE: NONE
	DATE: 12/16/05
	DRAWN BY: MM
	REV.
PART NAME SHEAVE SHAFT WORKSHEET (WITH SNAP RING RETAINERS)	REF.
PART No.	

THIS DRAWING IS THE PROPERTY OF SVI INTERNATIONAL INC. IT IS NOT TO BE USED OR DUPLICATED WITHOUT WRITTEN PERMISSION OF THE OWNER AND IS NOT TO BE USED IN ANY WAY INCONSISTENT WITH THE PURPOSE FOR WHICH IT WAS LOANED



Knee Deep

IN CABLE ASSEMBLIES

Sustained Value

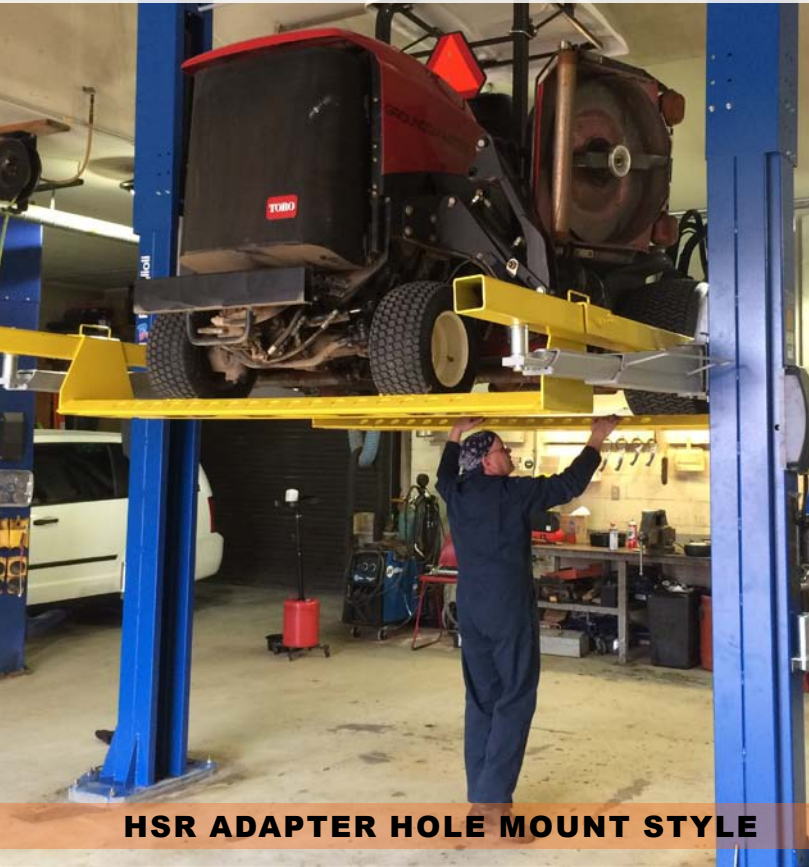
When you're ready to put yourself knee deep in savings, SVI can help. We leverage our extensive capabilities and the combined value found across our broad product line to keep your repair product costs to a minimum. Others may claim lower prices, but the fact is no one else truly delivers full spectrum value like SVI. Year in and year out, SVI follows best pricing practices—cable assemblies are no exception. Make sure you are knee deep—knee deep in savings when it comes to the prices you're paying for cable assemblies.

Initiative

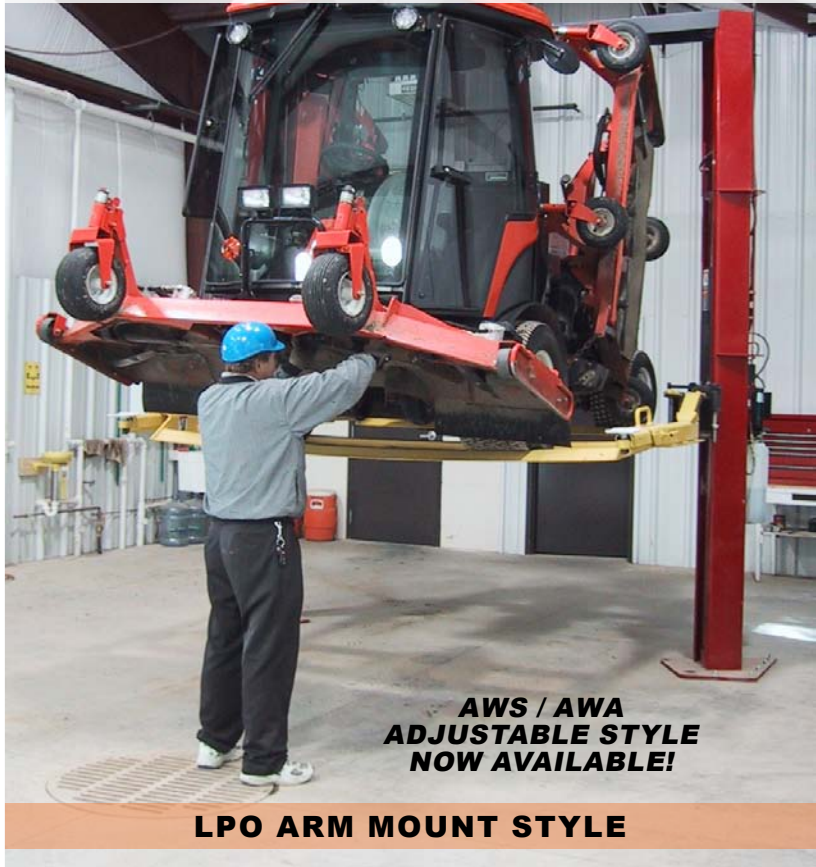
- Custom-Made Cables
- Many Markets Served
- Over 700 Engineered Cable Blueprints on File
- Special Pricing Programs Available
- Best Pricing
- Largest In-Stock Inventory of Ready-to-Ship Cable Assemblies
- Fasteners Furnished with Each Cable
- Customer-Specific Stocking Programs

CHICAGO • LOS ANGELES
800-321-8173 • 815-748-0200
www.sviinternational.com

YOUR CHOICE! 3 TURF TRAY STYLES, OPTIONS AND ACCESSORIES AVAILABLE



HSR ADAPTER HOLE MOUNT STYLE



**AWS / AWA
ADJUSTABLE STYLE
NOW AVAILABLE!**

LPO ARM MOUNT STYLE

Turf Equipment / Utility Vehicle Attachments for Automotive Lifts

- Golf Courses
- Park Districts
- Municipalities
- ATV Dealers
- Public Works
- Amusement Parks
- Vacation Resorts
- Agricultural Shops
- and so many more...

No. 1—The First: An SVI wholly-owned subsidiary was the very first ever to invent Turf Attachments for use on automotive lifts. On September 9, 1997 SVI's very own MLM Lifts and Manufacturing (formerly known as Manitowoc Lift) developed the very first production drawings for a Turf Equipment Lifting Accessory. This innovative product line has allowed thousands of lift owners to convert their automotive lifts into a multi-functional tool. This allows for both service of their cars and pickup trucks but also ease of repair access to all the turf and small maintenance equipment also found in and around their shop.

Turf Attachments are an ideal tool to incorporate into any shop that has a two-post automotive lift or in-ground side-by-side that also has the need for servicing all types of other equipment. Turf Attachments are ideal for park districts, golf courses, outdoor power equipment dealers, municipalities, ATV dealers and just about anywhere else that requires more versatility from their lifts.

SVI has emerged and remains the leading supplier in its field for turf / utility attachments. The nimble nature of SVI engineering and strong focus on customer service allows for a wide range of flexibility in producing attachments to fit virtually all makes and models of two post surface mount lifts encountered in the field. Put the SVI team to work for you today, attachments can be made for any two post lift including those with true asymmetric or triple stage swing arms. For a whole variety of turf / utility attachment solutions—SVI is your Answer!



800-321-8173



DIRECT FIT™ BRAND

SVI International, Inc.

Catalogs and Information Online: www.sviinternational.com

EASY TO ORDER:
800-321-8173
815-748-0200
 Fax: 800-899-1784 • 815-748-0210
 E-Mail: parts@sviintl.com
www.sviinternational.com

AUTO LIFT REPAIR PARTS FOR ALL MAKES & MODELS

~NO MATTER THE AGE OF THE LIFT!

- Arm Restraint Kits & Parts
- Cables—Lifting and Equalizing
- Chain
- doorjammerPRO - Door Protection Pad
- Height Extensions and Rubber Pads
- Installation Products & Tools
- Power Units and Parts
- Pulleys and Chain Rollers
- Seal Kits for In-Ground & Surface Mount
- Safety Legs / Non-Rotators
- Replacement Lift Kits
- Power Post Lifting Systems
- Tanks for In-Ground Lifts
- Turf Attachments for 2-Post Lifts

SURFACE MOUNT LIFT PARTS FOR:

Acanus	Gemini	Quality
Ammco®*	Gilbarco	Ranger
Alamo /	Globe	Ravaglioli
ASSSA	Grand	Rotary Lifts
ALM	Hofmann	Silent Tech
AMI	Hydralift	Slift
Ashawa	Ime Istobal	Somers Souriau
Ben Pearson	Kismet	Stenhoj
BendPak	Kimm	Stertil Koni
Benwil	Koni	Sun
Bishamon	Launch	Tecalemit
Boston	Laycock	Titan
Bradbury	Lincoln	Weaver
Cascos	Maha	Werther
Consul	Manitowoc Lifts	Western
Challenger	Mohawk	Westinghouse
Force	Nussbaum	Wheeltronic
Ford Smith	OMA	Worth
Forward	OMCN	Zippo
Fuchs/Zippo	PMW	

IN-GROUND LIFT PARTS FOR:

Benwil	Gilbarco	PKS Lifts
Challenger	Globe	Rotary
Cochin	HDL/ISS Innovative	US Hoist
Curtis	Joyce	Weaver
Ford Smith	Manitowoc Lifts	Western

AIR COMPRESSOR PARTS

- Air Receiver Tanks • Compressor Mufflers
- Automatic Tank Drain Valve for Champion Compressors
- Filters—Many OEM Ref Available!
- Filters, Regulators, Lubricators
- Intake Filter Products
- Milton Air System Products
- Re-Coil Hose • Valves
- Vibration Dampening Pads & much more!

BRAKE LATHES REPAIR PARTS

- Brake Lathe Repair Parts and Accessories for **All Makes**

EXHAUST REMOVAL SYSTEMS & PRODUCTS

FLUID DELIVERY

- Lenz Fittings
- Steel Hydraulic Line Tubing and Fittings
- Strut and Hangers

HOSE REELS BY REELCRAFT®

HYDRAULIC CYLINDERS—

- Custom Single-Acting Large Bore Cylinders
- Also see “Lifting Equipment”

LIFTING EQUIPMENT

- New In-Ground Lifts—Car, Truck & Bus
- Small Equipment Shop Maintenance (SESM) Lifts for lifting Landscape Equip. ATVs / UTVs, Motorcycles, Lawn Mowers, Golf Carts and More!
- Custom Lifting Equipment incl. Production Line Lifts, Rail Car Lifts and More
- Custom Hydraulic Cylinders for Various Applications
- Turf Attachments for 2-Post Lifts
- In-Ground Lift Sections and Kits
- And more!

LUBRICATION & PAINT / FOAM SPRAY REPAIR PARTS & KITS FOR:

- Alemite • ARO • Balcrank • Graco • Lincoln

PETROLEUM EQUIPMENT & REPAIR PARTS FOR:

- Gas Pump & Meter Kits and Parts for Gasboy • Tokheim • Fill-Rite
- Including Parts for Older Pumps: Wayne • Bennett • Gilbarco • Bowser A.O. Smith (Geosource) • Southwest

SEAL KITS

SHOP EQUIPMENT

- Hein-Werner Products • Omega Products
- Porto-Power • Pro-Lift

TIRE EQUIPMENT REPAIR PARTS

- Tire Changer and Wheel Balancer Parts for **All Makes**

Accu-Turn	FMC	Nussbaum
All Tool	Giuliano	Ranger
Ammco®*	Hofmann	Sicam
BaseLine®*	Hunter	Sice
Bosch	John Bean /	Snap-On
Cemb	(JBC)	Teco
Coats®*	Kwik-Way	Tuxedo
Corghi	Launch	

VALVES

- Air Compressor Valves of All Types
- Air and Hoist Control Valves
- Ball Valves • Check Valves
- Kingston Valves • Pressure Relief Valves
- Relief Valves • Safety Valves
- Solenoid Valves
- Tire Changer Valves • And More!

CUSTOM PRODUCTS

And let us know if you want something you use in your shop to be added to our product line!

DIRECT FIT™

In addition to SVI's DIRECT FIT™ BRAND, we are proud to be a one-stop shop for many other great products including:



B-Line by **FATON**



and many more!

2 Ready-Ship Warehouses for Faster Shipping! | **CHICAGO • LOS ANGELES**

Main Office: 155 Harvestore Drive • DeKalb, IL 60115

All names, numbers, symbols and descriptions are used for reference purposes only. It is not implied that any part listed is the product of these manufacturers.

SVI does not represent and is not associated in any way with any other companies. Entire contents copyright © 2022, SVI International, Inc. Prices subject to change without notice.

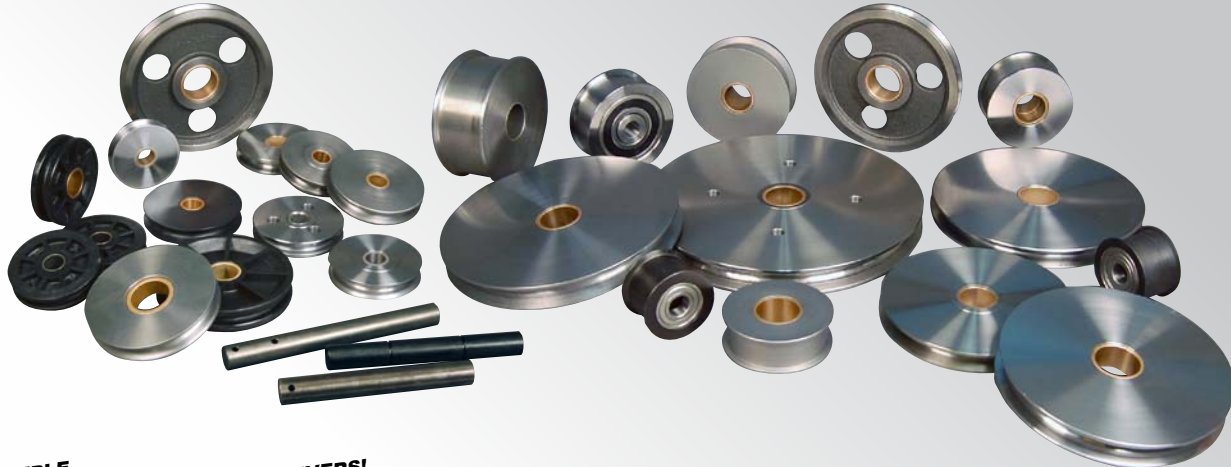
*AMMCO, BASELINE, COATS and DUCKHEAD are registered trademarks of Hennessy Industries, Inc. SVI International, Inc. is not associated in any way with Hennessy Industries, Inc.

**TERMS AND CONDITIONS OF THE
SALES ORDER
FOR SVI INTERNATIONAL, INC.**

1. **GENERAL.** The terms and conditions of sales order outlined herein shall apply to the sale by SVI INTERNATIONAL, INC. (hereinafter referred to as "Company") of the items described on the facing page (hereinafter referred to as "Merchandise") to Purchaser.
2. **DELIVERY.** Delivery shall be deemed to be complete when the Merchandise has been shipped F.O.B. Company's plants in DeKalb, Illinois, Montclair, California; and Hanover, Maryland ("Company's plants"). Shipments are subject to delays from causes or contingencies beyond the reasonable control of the Company. When otherwise not specified, shipments will be made in standard containers via carrier which, in the judgment of the Company, will result in the most practical method. Title and right of possession will pass to the Purchaser upon receipt by the carrier at the shipping point. If a customer of the Company should specify a specific carrier's method of shipment (i.e. UPS Next Day Air) and that carrier does not perform to the customer's expectations, freight credit to a customer's account will not be issued unless the Company can first obtain a credit.
3. **RISK OF LOSS.** Identification of the Merchandise under Uniform Commercial Code (hereinafter referred to as "UCC") Section 2-501 shall take place at the moment of shipment F.O.B. Company's plants. Risk of loss shall pass to the Purchaser when the Merchandise is shipped from the Company's plants.
4. **TITLE.** Title to the merchandise shall transfer to the Purchaser when the Merchandise is shipped from the Company's plants.
5. **WARRANTIES.** The Company guarantees its products to be free from defects in workmanship and raw materials for a period of one year from date of purchase. THIS WARRANTY IS EXPRESSLY IN LIEU OF ANY AND ALL WARRANTIES EXPRESS OR IMPLIED. COMPANY DOES NOT WARRANT THE MERCHANDISE IS MERCHANTABILITY OR FIT FOR ANY PARTICULAR PURPOSE. Company's liability for breach of the terms of this Agreement, including any warranty, is limited to either refund of the invoice price of the Merchandise or at Company's option, replacement of the Merchandise free of charge, including transportation charges but not including the cost of labor. Purchaser has not relied on any statement or upon the conduct of Company with respect to the prospective use of the merchandise. Company shall not be liable for and Purchaser waives any and all claims for any loss or damage, directly or indirectly, arising from the use of the Merchandise and for punitive, incidental or consequential damages, including, but not limited to, damages to property, for loss of use, loss of time, loss of profit or loss of income. The Company does not authorize the sale of our products under any other warranty, expressed or implied. **Please note:** Electrical components and cylinder or shaft seals are not covered under warranty.
6. **SETOFF.** All claims for money due or to become due from the Company shall be subject to deduction by the Company for any setoff or counterclaim arising out of this or any other claims of the Company or its affiliated companies, whether such setoff or counterclaim arose before or after any assignment by Purchaser.
7. **INDEMNIFICATION.** Purchaser agrees to indemnify the Company and hold it harmless from and against all claims, liability, loss, damage or expense, including reasonable counsel fees, arising from or by reason of any modifications or alterations made by Purchaser. If a customer of the Company modifies or alters any part, in any manner whatsoever, or uses any part in departure from recommended performance specifications, said customer agrees to indemnify and hold the Company harmless from and against all liability and expenses based on damage to property or injury to or death of any person arising out of or attributable to such modified or altered part. Further, the Company will not accept any such modified or altered part for credit to a customer's account.
8. **FREIGHT POLICY.** Freight charges are prepaid and added to invoice or collect FOB shipping point. Note: All customers are responsible for all carrier shipping costs, fees, surcharges, etc. including order refusal and return fees.
9. **RETURN POLICY.** To return a part for credit or inspection, Purchaser must first contact our Main Office in Illinois, to obtain a Return Merchandise Form. Once Purchaser has obtained this form, the parts can be returned freight prepaid only. The Return form must be included with the shipment. Parts returned to the Company without the approved form will be returned freight collect to the shipper or refused. Returns must be initiated within 30 days of the invoice date. The Return Forms are valid for 30 days, from the date of issue. All Returns are subject to restocking charges. Return parts brought into our remote warehouses, will not be accepted by our personnel, without a Return Merchandise Form from the Main Office. Parts which have been used in any way or manner, including any installation or incorporation into a lift, hoist, or other equipment, shall NOT be eligible for return whether or not a Return form has been assigned. **Please note:** Electrical parts or components are not returnable for credit. This includes all switches, pushbuttons, relays, electric motors, capacitors, fuses, solenoids, power units with wiring issues or any other electrical items. Custom, built to order, special order, and non-stocked genuine parts are non-returnable.
10. **RESTOCK CHARGE.** Returns are subject to a restocking charge. Refusals are subject to the same restocking charge plus the cost of outbound and return freight charges and/or fees incurred by the Company due to shipment refusal.
11. **PRICES AND PAYMENTS.** All prices are subject to change without notice. All prices are F.O.B. shipping point. The Company standard terms are net 30 days, C.O.D. company check, C.O.D. cash, VISA, MasterCard, Discover or American Express. However, if in the judgment of the Company, the financial condition of the Purchaser at any time does not justify shipment according to standard terms of payment, the Company may require full or partial payment in advance.
12. **INTERPRETATION.** This sales order is intended by the parties as a complete and exclusive statement of the terms of their agreement. It supersedes all prior agreements, written or oral. No course of prior dealings between the parties and no usage of the trade shall be relevant to supplement or explain any terms used in this sales order. Acceptance or acquiescence in a course of performance rendered under this purchase order shall not be relevant to determine the meaning of this sales order even though the accepting or acquiescing party has knowledge of the nature of the performance and opportunity for objection. Whenever a term defined by the UCC is used in this sales order the definition contained in the UCC shall control.
13. **MODIFICATION.** This sales order can be modified or rescinded only by a writing signed by both parties.
14. **WAIVER.** No claim or right arising out of a breach of this sales order can be discharged in whole or in part by a waiver or renunciation of the claim or right unless such waiver or renunciation is supported by consideration and is in writing signed by the aggrieved party.
15. **ASSIGNMENT.** No right or interest in this sales order shall be assigned by either party without the written consent of the other and no delegation of any obligation owed, or of the performance of any obligation by either the Company or Purchaser shall be made without the written consent of the other party. Any attempted assignment or delegation not made in conformity with this paragraph shall be wholly void and totally ineffective for all purposes.
16. **TIME TO PERFORM AND BRING ACTION.** Time is of the essence of this sales order. Any action for breach of this sales order shall be commenced within two (2) years after the cause of action has accrued. Any party who loses any litigation shall reimburse the other party for costs including reasonable attorney's fees. The exclusive jurisdiction for any legal action shall be the Circuit Court of DeKalb County, Illinois.
17. **APPLICABLE LAW.** This sales order shall be governed by the UCC of Illinois as effective and in force on the date of this sales order.



SVI IS YOUR ANSWER!



SAMPLE



HUGE!
Over 29"
diameter

SVI DELIVERS!



SVI knows custom!

Check out the huge sheaves
supplied to a shipyard based on
their sample and requirements.

ASIDE FROM A COMPLETE LINE
OF CABLE SHEAVES / PULLEYS
AND CHAIN ROLLERS
SVI OFFERS A HUGE SELECTION
OF PRODUCTS FOR THE SHOP.

- Air Compressor Parts and Filters
- Auto Lift Parts for Any Brand
- Auto Lift Cables and Chain
- Auto Lift Power Units and Parts
- Brake Lathe Repair Parts for All Makes
- Exhaust System Products
- Fluid Delivery Repair Parts
- Hose Reels and Hose Stops
- In-Ground Auto Lifts
- Lubrication Equipment Repair Parts
- Petroleum / Service Station Pump and Tank Products
- Repair Parts for Gasboy Consumer Series
- SESM Lifts for ATV/UTV, Golf Cart and More!
- Tire Changer Repair Parts
- Transfer Pumps
- Turf Attachments for 2-Post Lifts
- Vehicle Lifting Systems
- Wheel Balancer Accessories

SVI International, Inc.

155 Harvestore Drive • DeKalb, IL 60115

800-321-8173 • 815-748-0200

Fax: 800-899-1784 • 815-748-0210