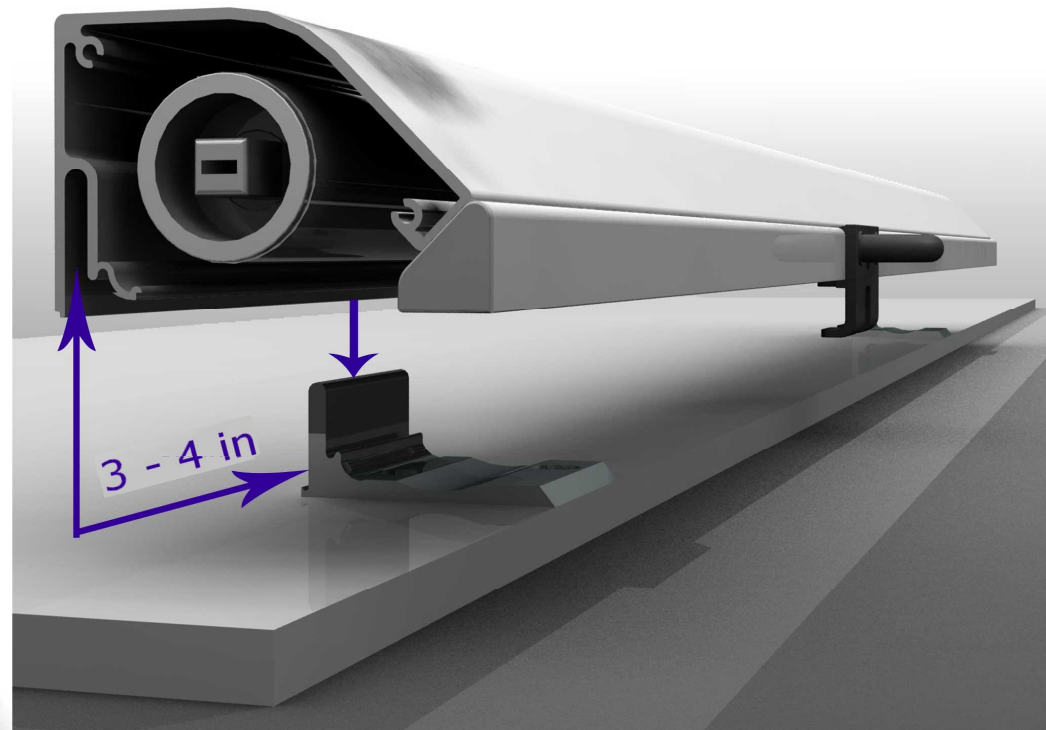


# Prodew

## Fitting Instructions Systems 2800 & 2850 (top mounted)

### Cassette night blind

1. Mark out the length of the cassette in the position to be fitted.
2. Take the two moulded fixing brackets and mark the holes through which they are to fitted. These brackets should be installed 3 - 4 inches in from each end of the blind.
3. Drill a hole either for a self tapping screw or pop rivet, we recommend ( *SELF TAPPING ZINC/PHILIPS* )
4. With brackets fitted, take the cassette and pull the bottom rail out slightly to clear the cassette, and lower it on to the brackets, locating the corresponding profiles, and push down. A sharp tap with the hand on the cassette at the bracket points ensures the cassette is secure.
5. To remove, pull the bottom rail out slightly and fold back over cassette, so that a grip can be obtained under the nose and tug sharply upwards. It is not advised during fitting to repeat this more than once, as it can loosen the bracket grip and prevent secure fixing.
6. This cassette blind can also be face mounted, as well as top mounted. Please refer to face mounted instructions if this method of fitting is required.



PRODEW INC.  
USA HOME OFFICE  
1359 GRESHAM ROAD  
MARIETTA, GEORGIA 30062

TOLL FREE (866) 677-6339  
PHONE: (770) 420 3060  
FAX: (770) 795 1314  
WWW.PRODEW.COM

# Prodew

## Fitting Instructions Systems 2600 & 2650

### Ready to operate module night blind

1. Mark out the length of the blind in the position it is to be fitted.
2. Take the spring clips (provided) and mark the centre holes through which they are fitted. They can be top or face mounted. These spring clips should be installed 70-100mm in from each end of the blind.
3. Drill a hole either for a self - tapping screw or pop rivet, we recommend (*self - drilling drywall screws / Philips Wafer Head / size: 8 x 9/16 / zinc*). Ensure that the head of the screw or pop rivet is not too large so as to obstruct the blind fitting rail from seating correctly.
4. Position the fixing bracket so that the projecting part faces away from the direction the bottom rail sits when rolled up. ie. If the cloth rolls from the back of the roller, fit the projection from the front. This is not absolutely essential but it is easier to remove the blind as a later date should it be necessary.
5. With the brackets fitted, take the blind and offer the fitting rail into the fixing clips. The lead edge is opposite to the projection of the clip. Then simply push it up to click the blind into place.
6. In small recesses where it is difficult to push on the fitting rail to click it home, a flat bladed screwdriver can be located in a groove on the underside of the rail to assist in locating the rail into its brackets. (see illustration).
7. **IMPORTANT - NEVER** force a blind into a space narrower than the specified length of the blind. All blinds should fit comfortably into the space provided. This can render the blind inoperable.



If your blind is 1700mm or longer, you must use 3no spring clips to ensure a smooth operation of the blind



PRODEW INC.  
USA HOME OFFICE  
1359 GRESHAM ROAD  
MARIETTA, GEORGIA 30062

TOLL FREE (866) 677-6339  
PHONE: (770) 420 3060  
FAX: (770) 795 1314  
WWW.PRODEW.COM