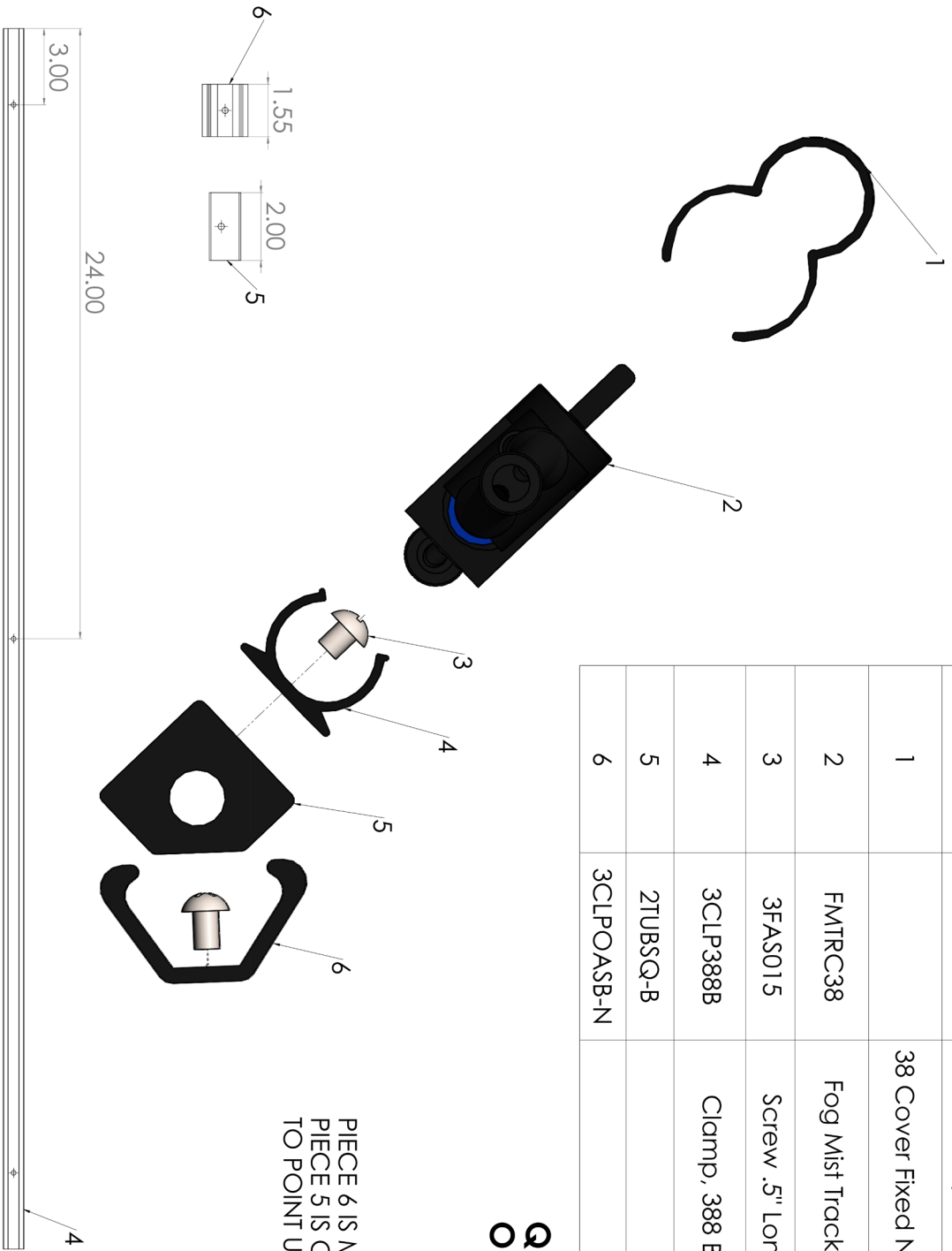


Rear Wall / Undershelf Installation

Instructions	Images
<p>STEP 1</p> <ul style="list-style-type: none"> The track clamps comes in 48 inch long increments. Use 3 clips and blocks per section of track clamps: Two mounted 6 inches in from the ends of the track and one mounted in the center. 	
<p>STEP 2</p> <ul style="list-style-type: none"> Use these blocks on the clamps as guides to install the clips into their proper locations on the back wall. 	
<p>STEP 3</p> <ul style="list-style-type: none"> Mount the clips 1-2 inches below the shelf standard with the screws provided. (Use a string/chalk line or laser to level track if needed) 	
<p>STEP 4</p> <ul style="list-style-type: none"> Once the clamps have been mounted in place, the nozzle lines can be installed. Press the 3/4 inch tubing into the track first and then the shutoff valves. The water and air feeds should be in the same locations. 	
<p>STEP 5</p> <ul style="list-style-type: none"> Once the lines are installed, use the short cover pieces with holes drilled in them to lock the nozzles in place. 	

Undershelf Layout Diagrams



Item No.	Part Number	Description	Qty.
1		38 Cover Fixed Nozzle	4
2	FMTRC38	Fog Mist Track 38	1
3	3FAS015	Screw .5" Long	6
4	3CLP388B	Clamp, 388 BK	1
5	2TUBSQ-B		3
6	3CLPOASB-N		3

QUANTITY BASED ON 4 FT. SECTIONS

PIECE 6 IS MOUNTED TO WALL
 PIECE 5 IS CLIPPED IN PIECE 6
 TO POINT UPWARD APPROX. 45°

TOTAL 4 AIR COMPRESSORS

