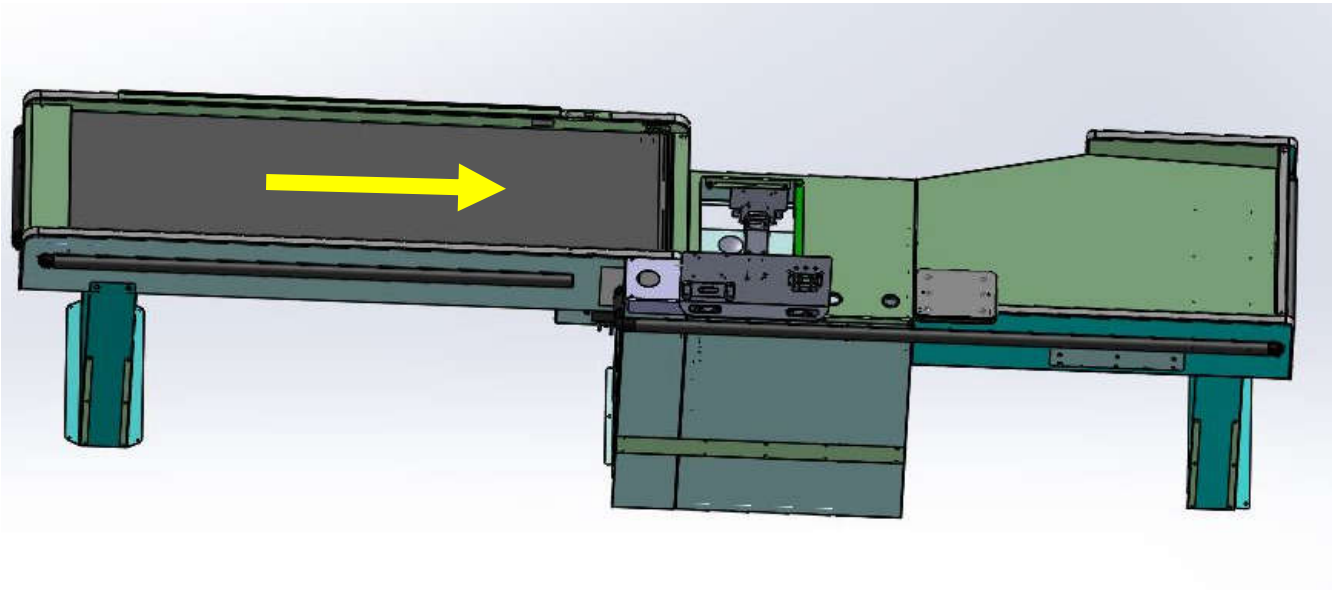


Sam's Club

Checklane Replacement Parts Identification for the 7'
Pedestal w Scan/Pass Rear Left Handed

Article #10059635

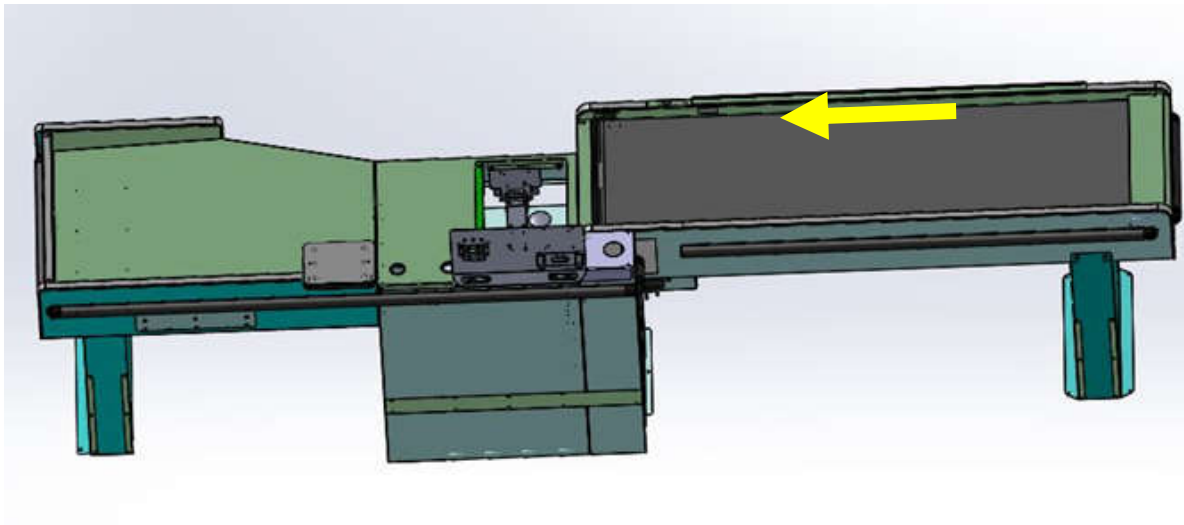
Pan Oston M-30643-LH_18442



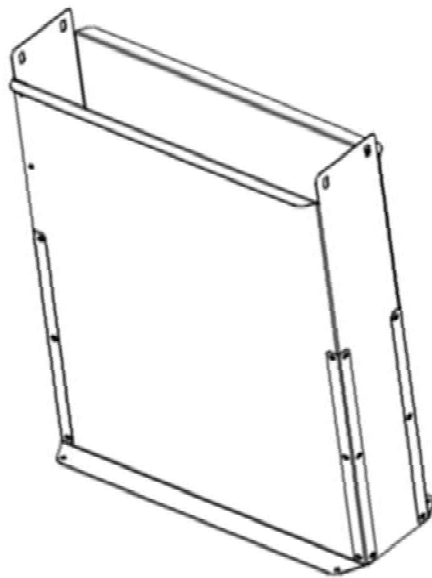
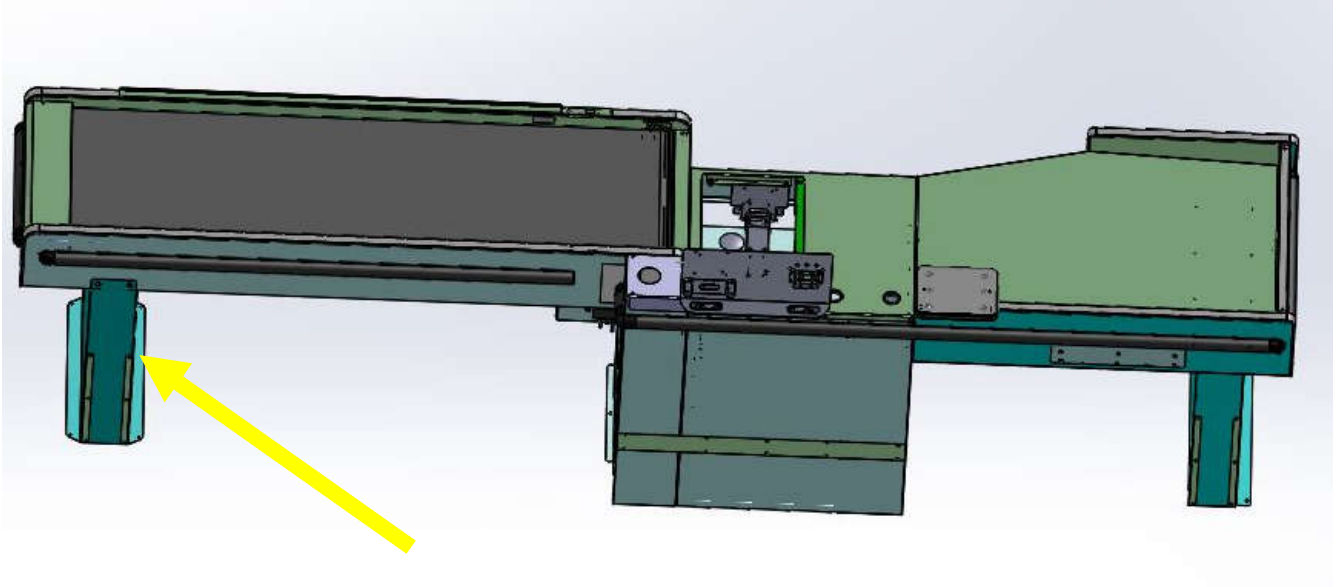
Right Handed

Article #100603150

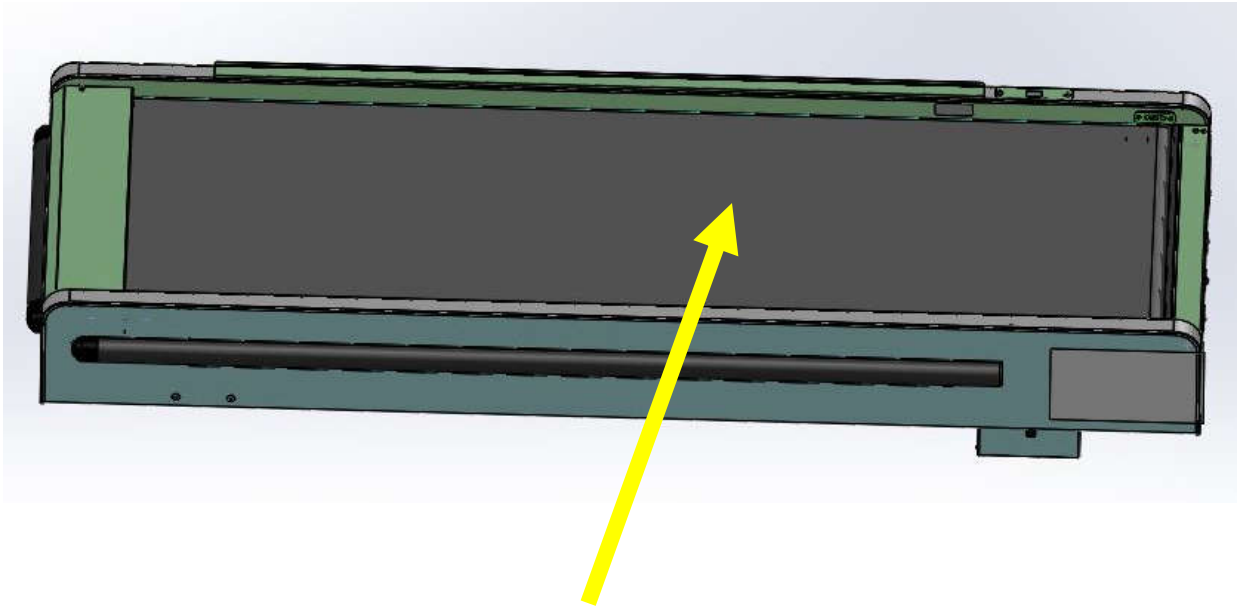
Pan Oston M-30643-RH_18442



Conveyor Pedestal Assembly (Universal)
Article # 1000017065
Pan Oston # BM-124232_18442

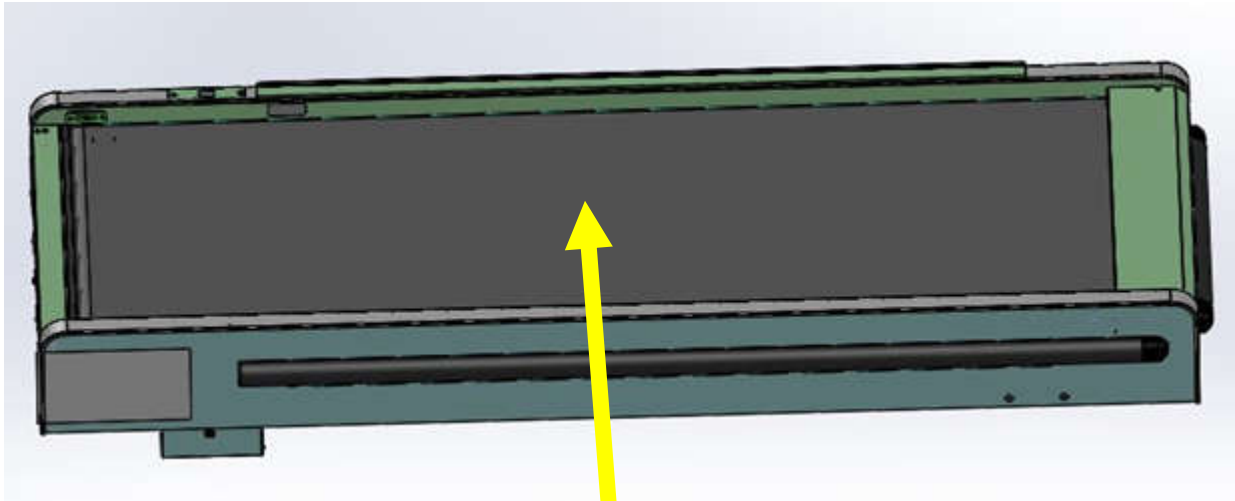


7' Conveyor Assembly Left Handed
Article # 100625270
Pan Oston # BM-137083_18442



7' Conveyor Belt
Article # N/A
Pan Oston # 601-W546-L4028-BLK

7' Conveyor Assembly Right Handed
Article # 100625271
Pan Oston # BM-137083-RH_18442



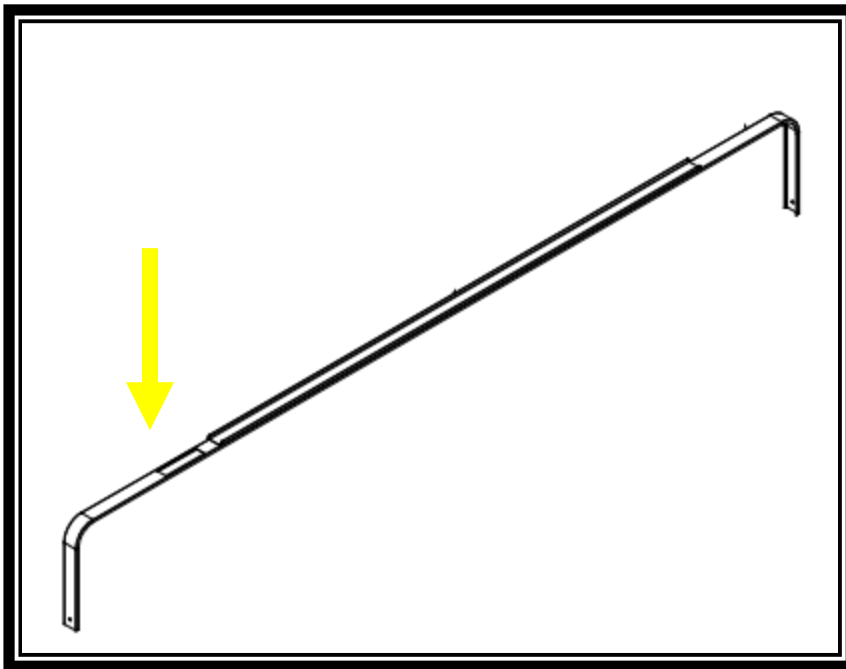
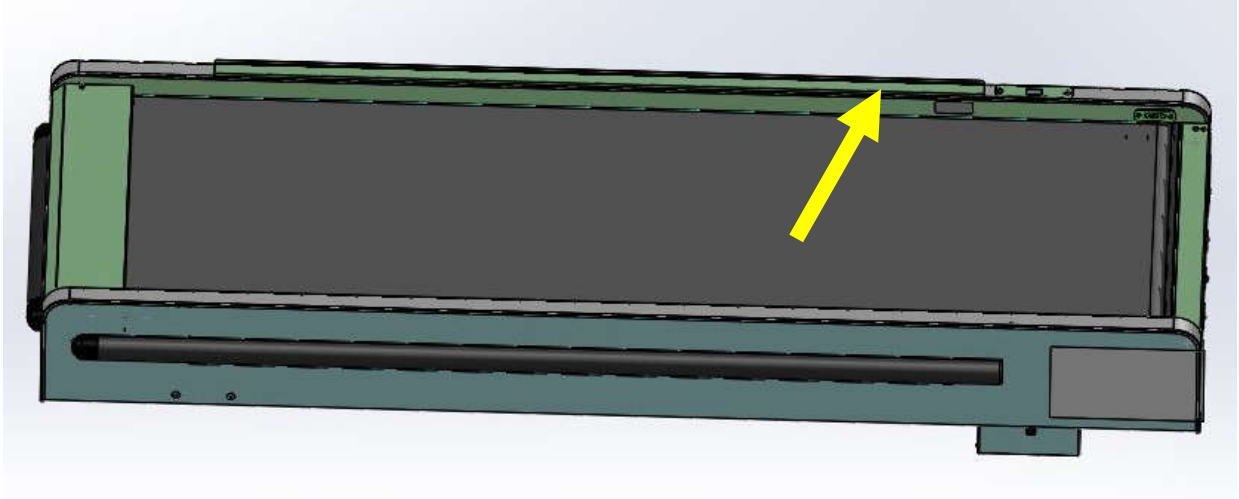
7' Conveyor Belt
Article # N/A
Pan Oston # 601-W546-L4028-BLK

7' Conveyor Assembly Cashier Side Trim

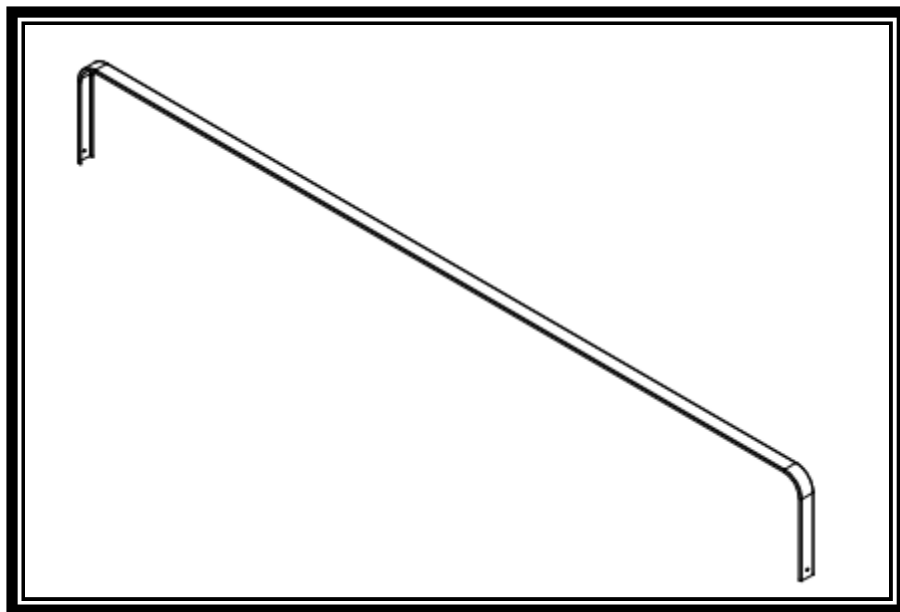
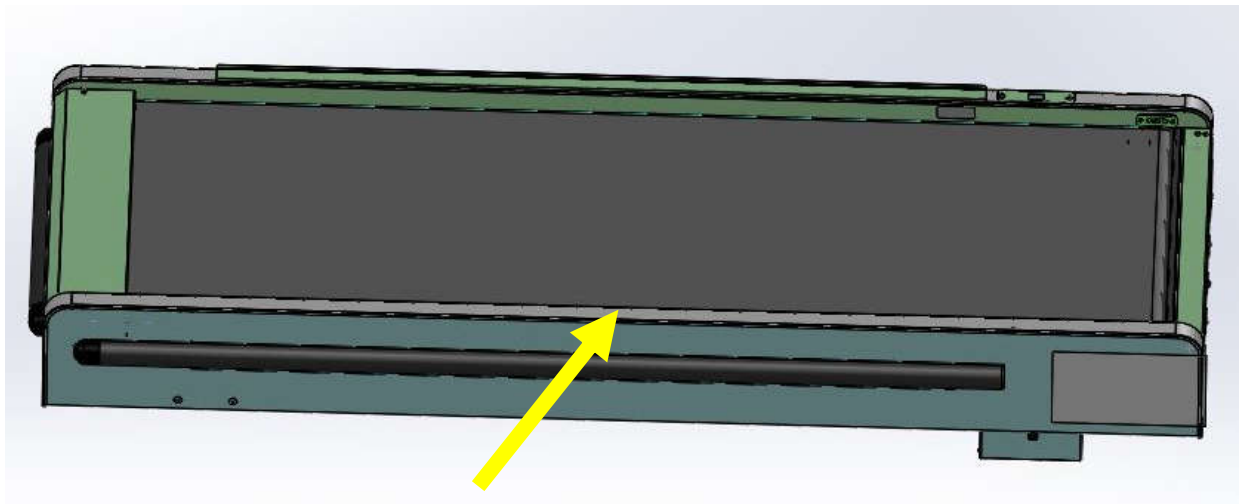
Article # N/A

Pan Oston # BM-137090-SRV

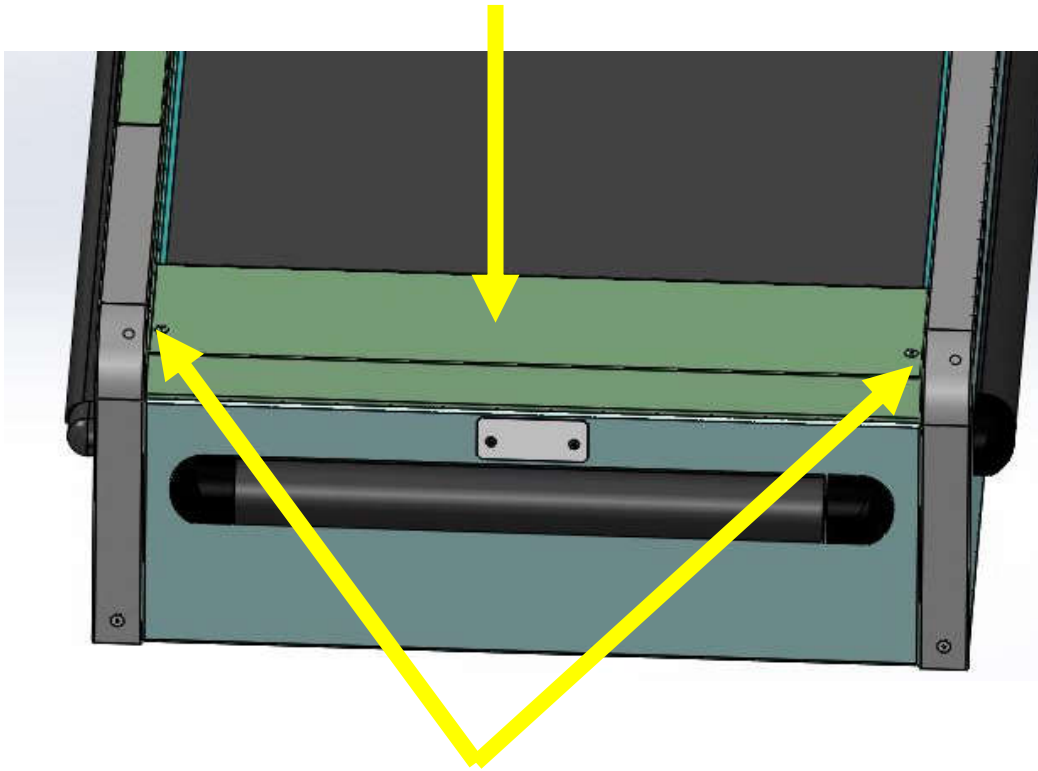
(Note this trim has the hole for the on/off switch plate)



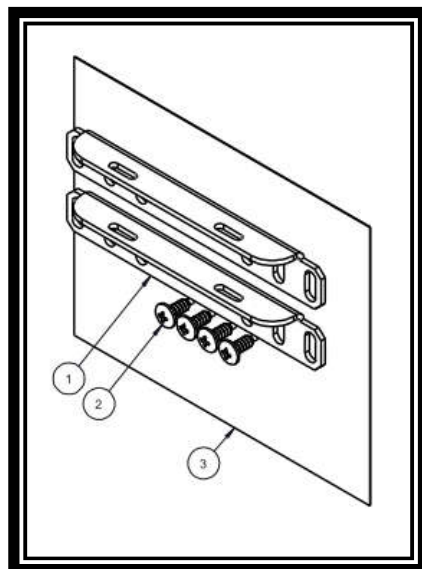
7' Conveyor Assembly Customer Side Trim
Article # N/A
Pan Oston # 241134
(Note this trim has no holes)



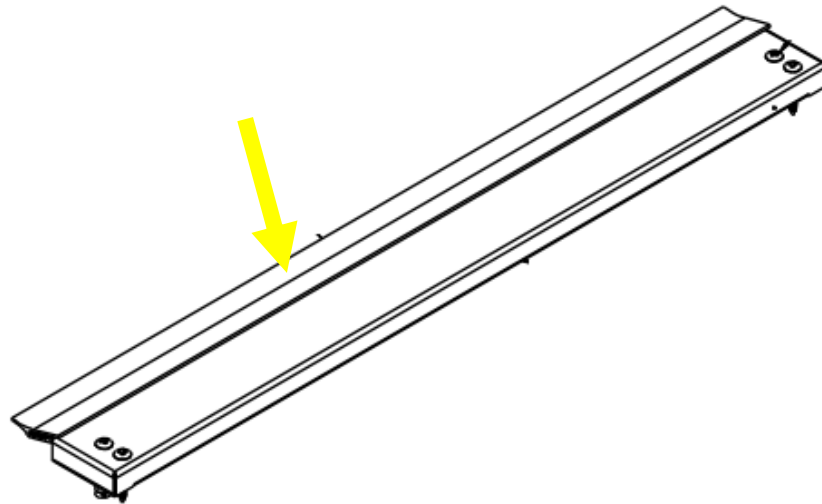
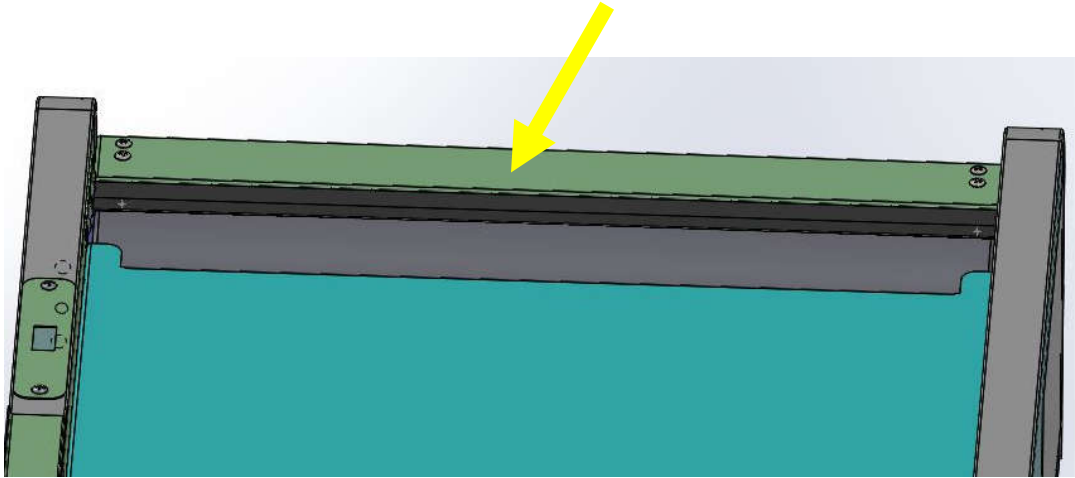
7' Conveyor Assembly Nose Cover
Article # 100021062
Pan Oston # 26629



Nose Cover Angle Kit #100621190
Pan Oston # BM-135385-SRV
(Comes with two angles and screws)



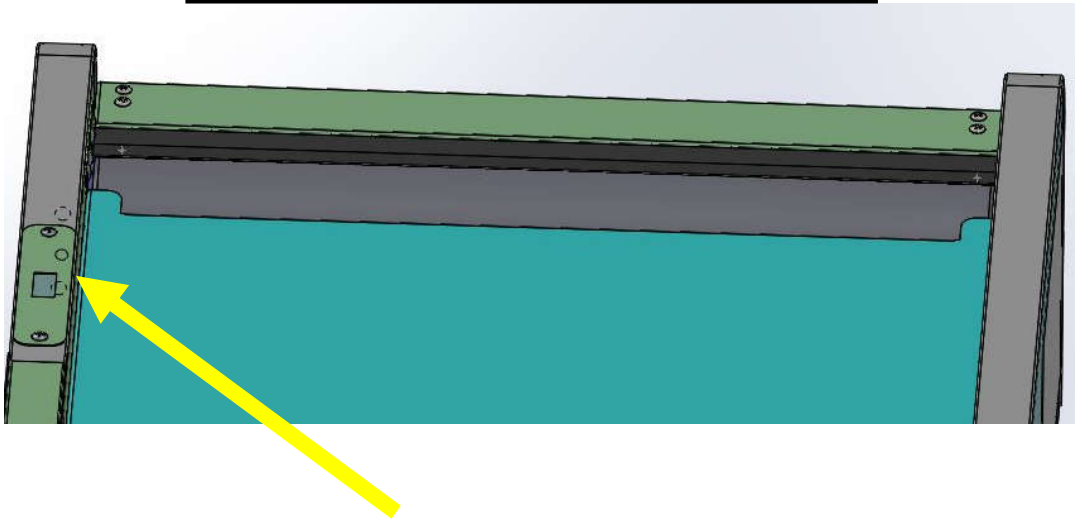
7' Conveyor Assembly (Cashier End)
Scan Plate Lay a side w Safety Edge
Article #N/A
Pan Oston # BM-25140-SRV



Plastic Safety Edge Article #100062540
Pan Oston #14014-22

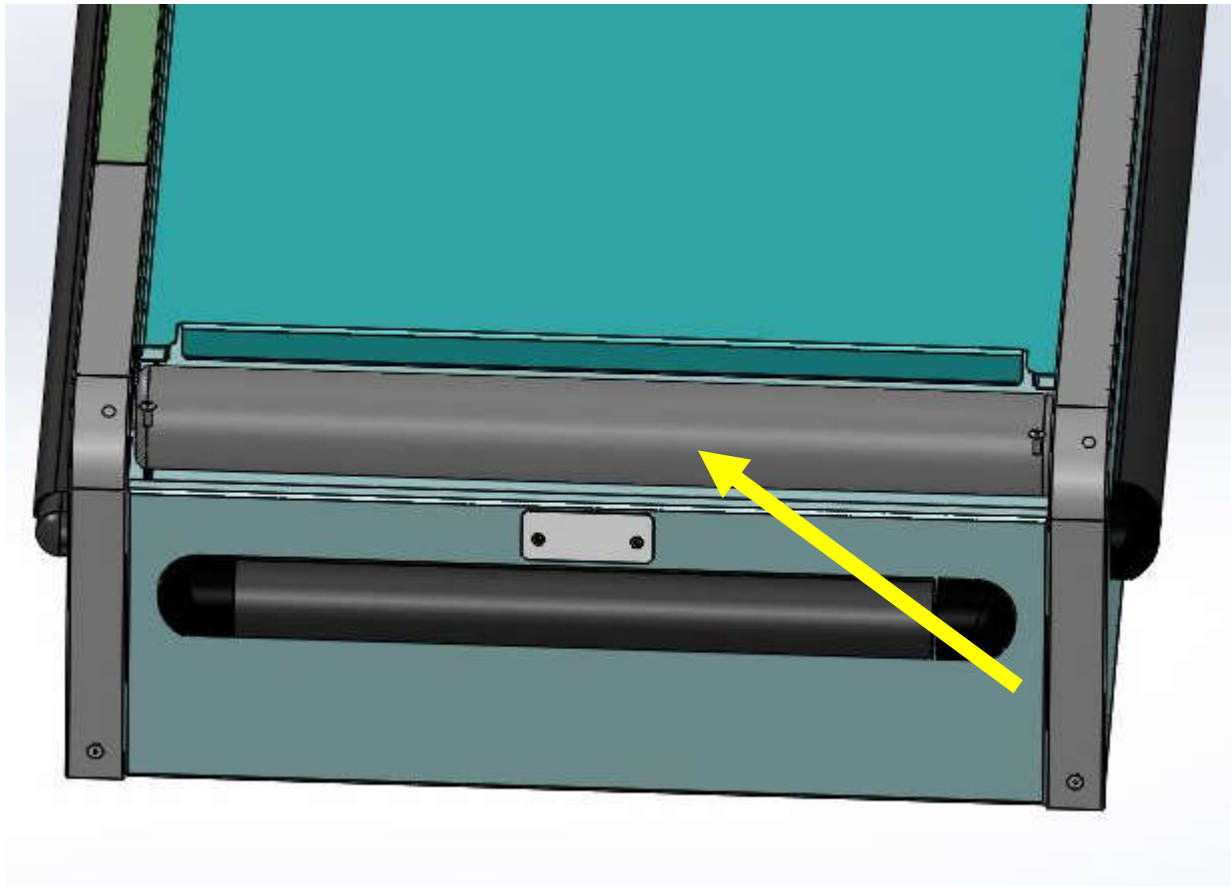
7' Conveyor Assembly
2 Wire Source Article #100523360
Pan Oston # 83268

4 Wire Receiver Article #100523361
Pan Oston # 83269

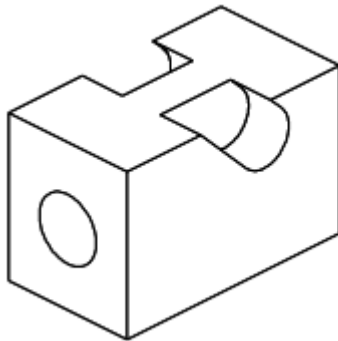
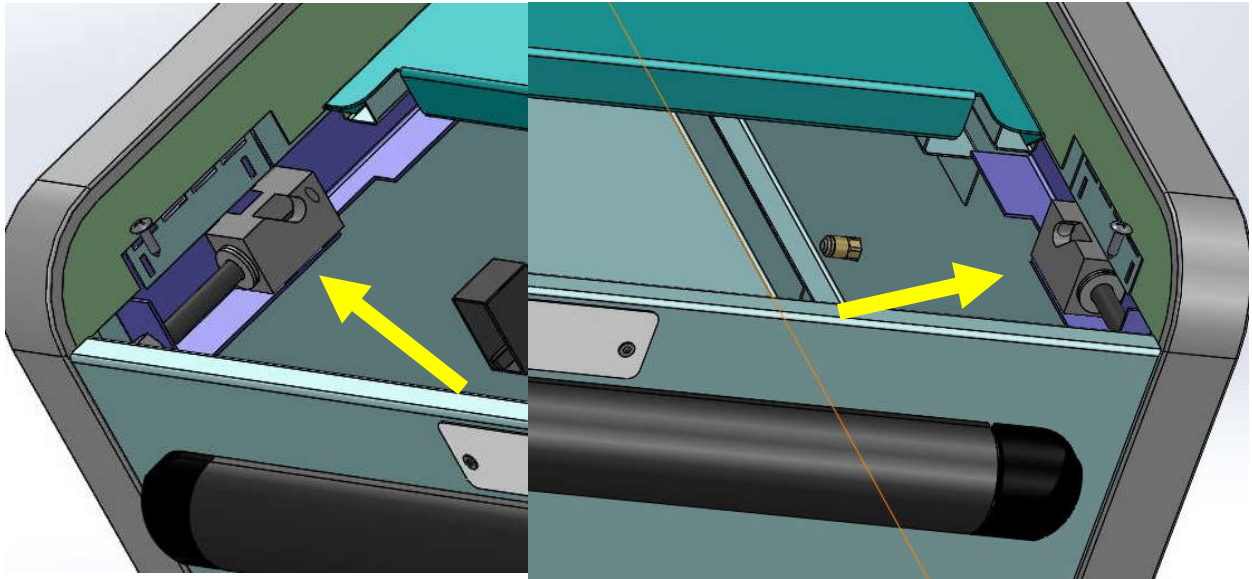


On/Off Switch
Article #100532613
Pan Oston # 603-13

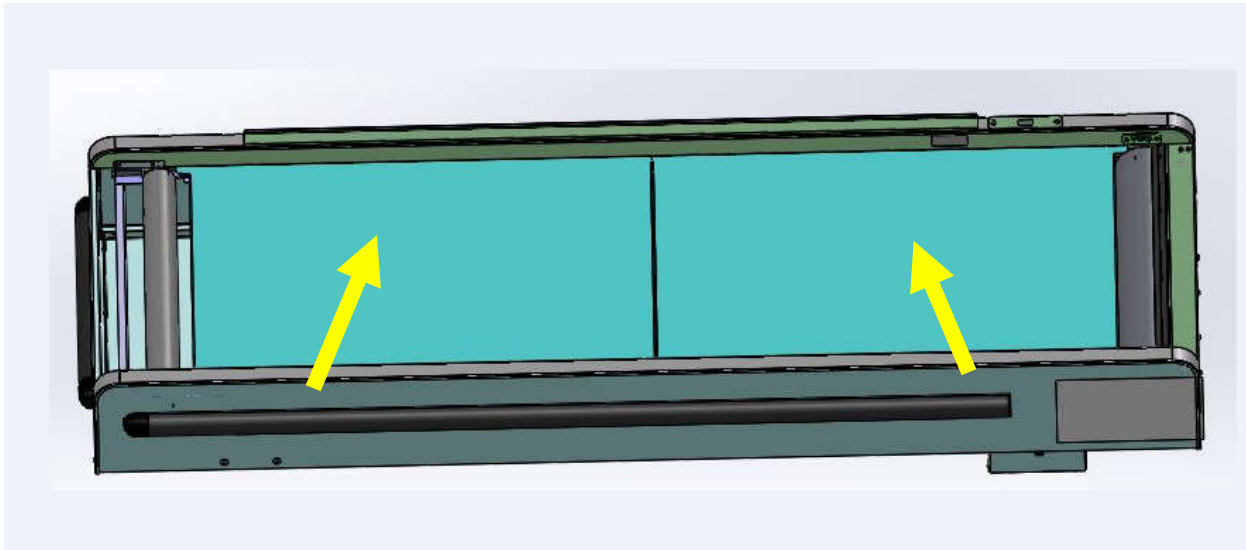
7' Conveyor Assembly (Customer End)
Idler Roller
Article # 100543904
Pan Oston # 602-550
(Nose Cover & belt is hidden to show idler)



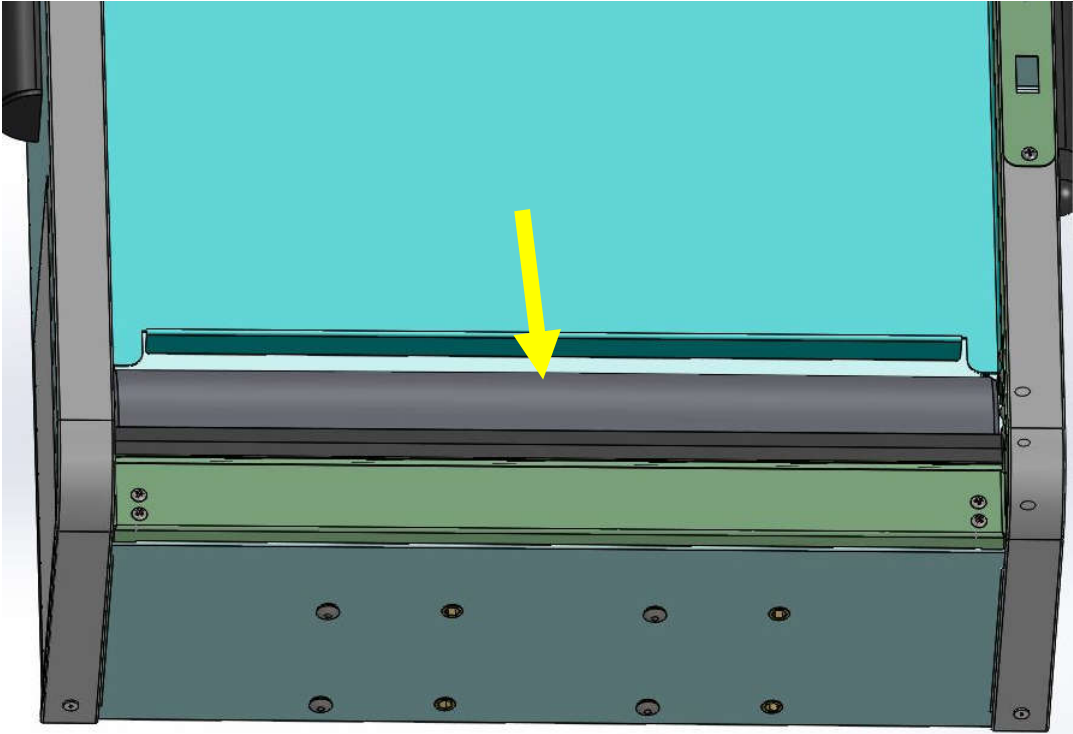
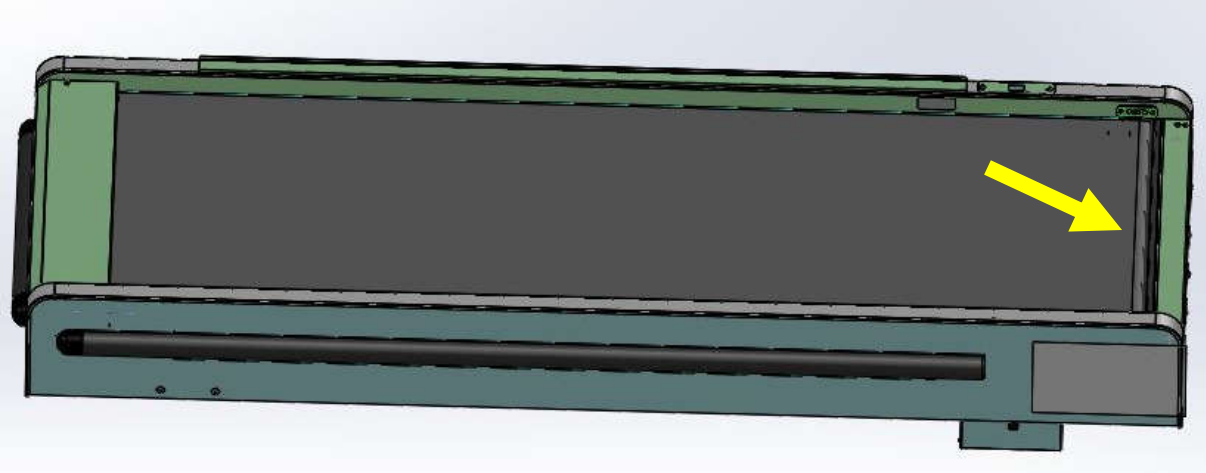
7' Conveyor Assembly Customer End
Idler Plastic Blocks, 2 per idler
Article # N/A
Pan Oston # 19535
(Idler is hidden to show idler blocks)



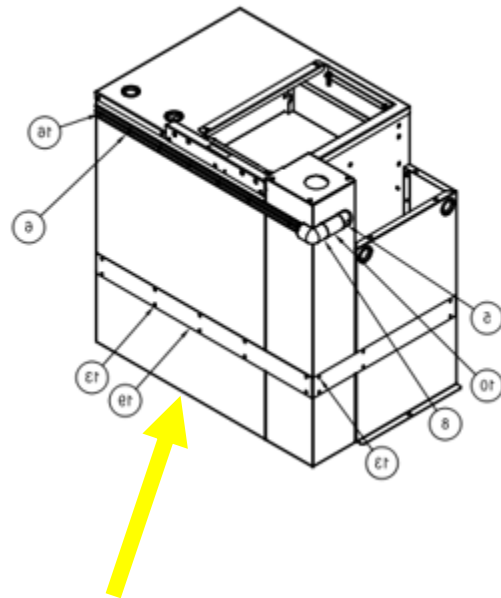
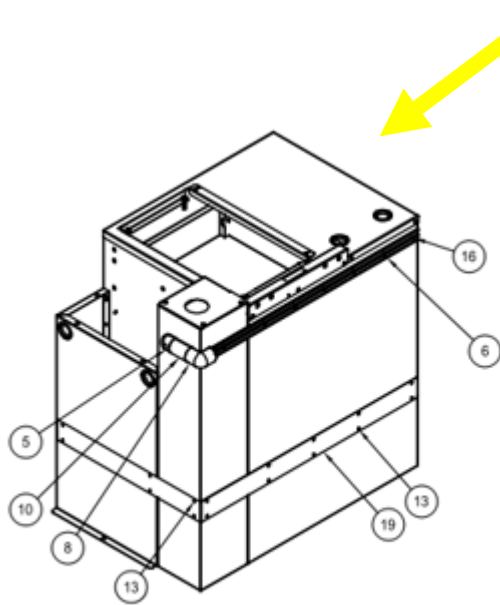
7' Conveyor Assembly
Belt Supports, 2 per conveyor
Article # N/A
Pan Oston # 241335_18441
(Belt is hidden to show supports)



7' Conveyor Assembly
Motor (Cashier End)
Article # 100543905
Pan Oston # 652-550
(Belt is hidden)

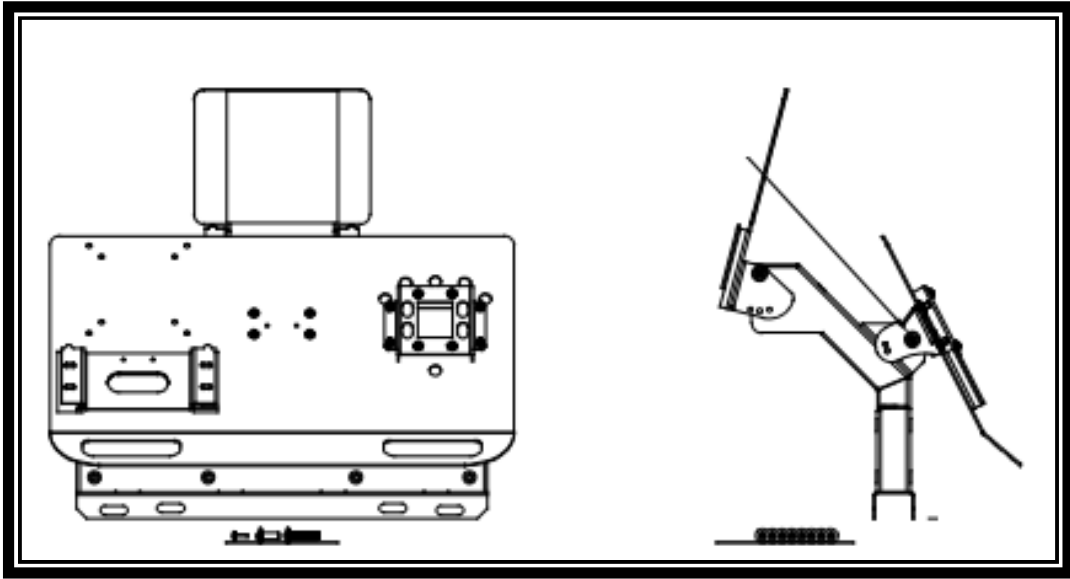
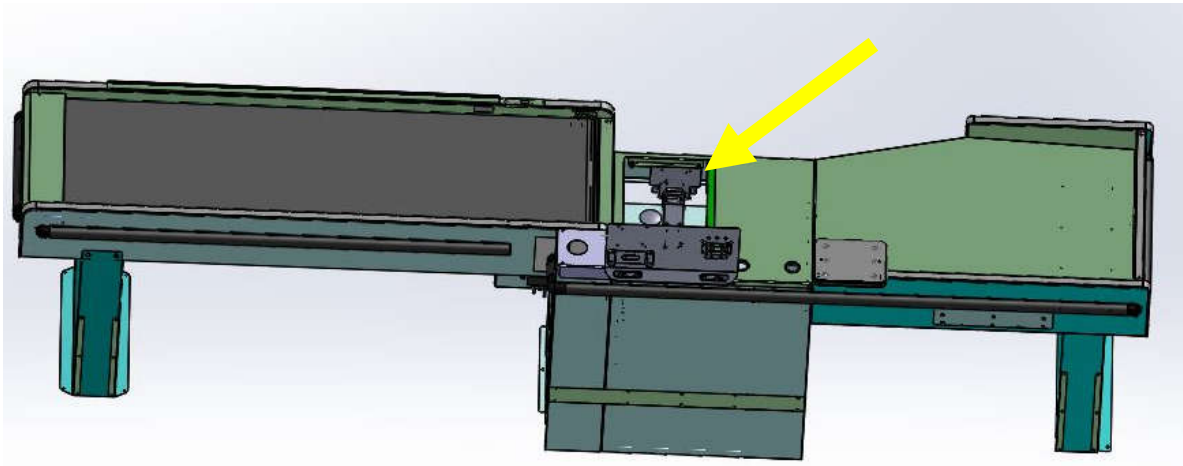


7' Conveyor Assembly
Left Handed Scanner Cabinet Assembly
Article # 100625272
Pan Oston # BM-135856-LH_18442

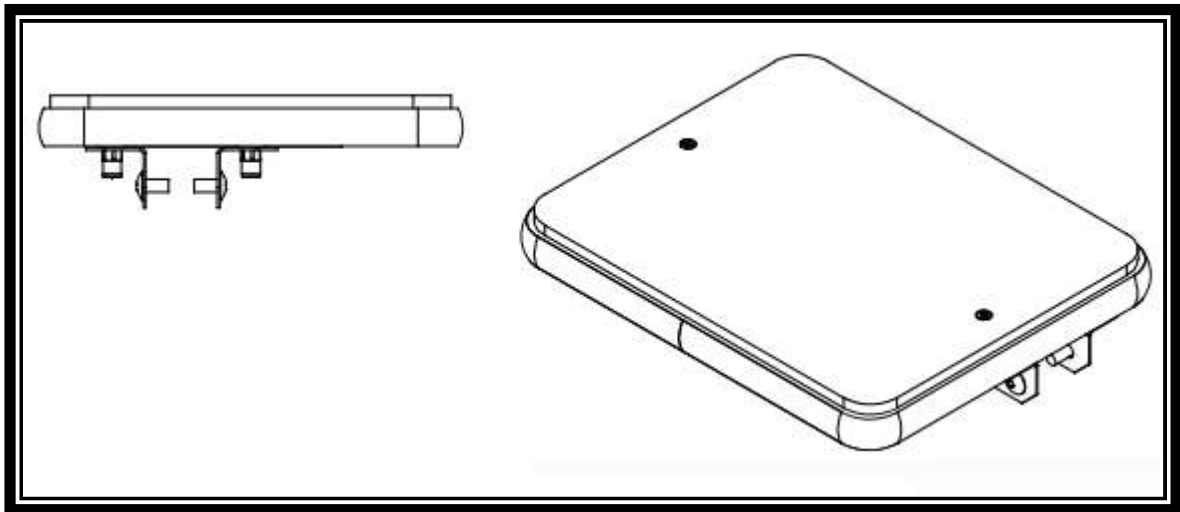
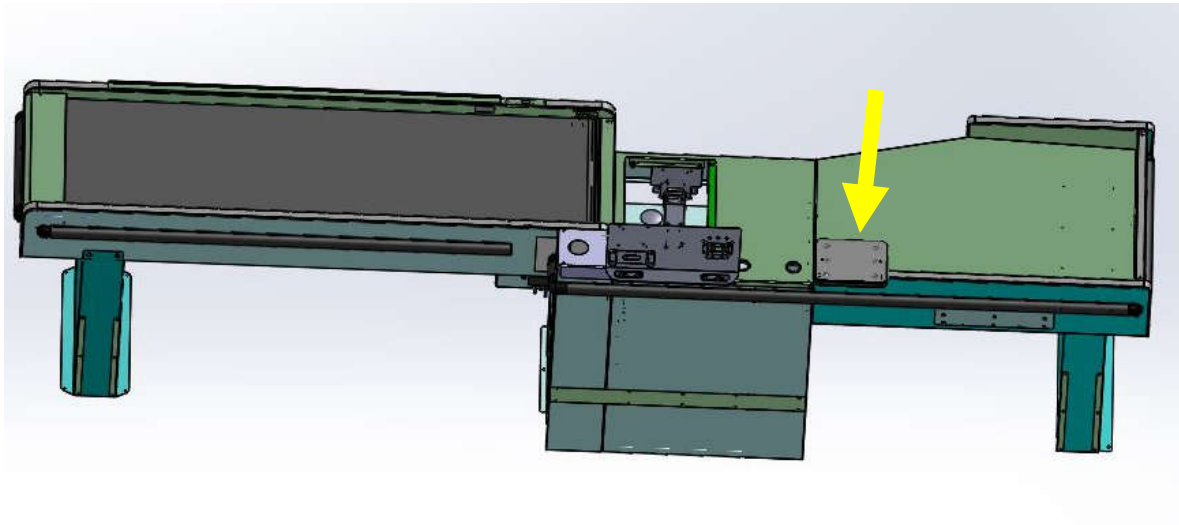


7' Conveyor Assembly
Right Handed Scanner Cabinet Assembly
Article # 100625273
Pan Oston # BM-135856-RH_18442

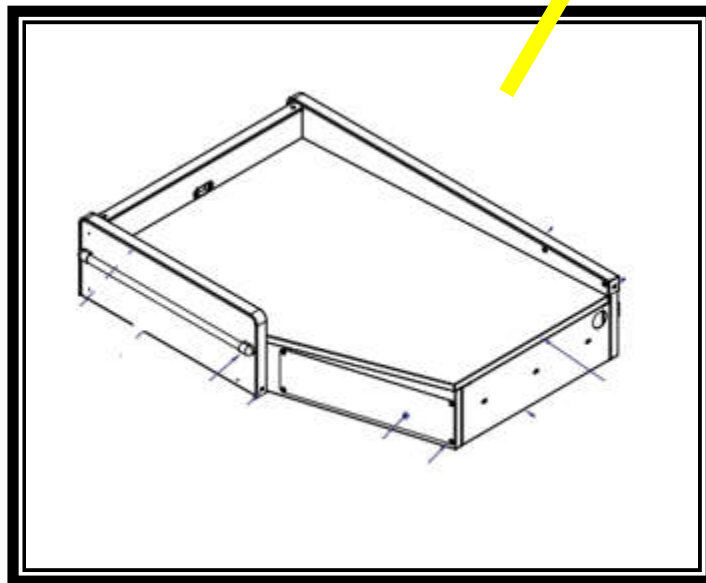
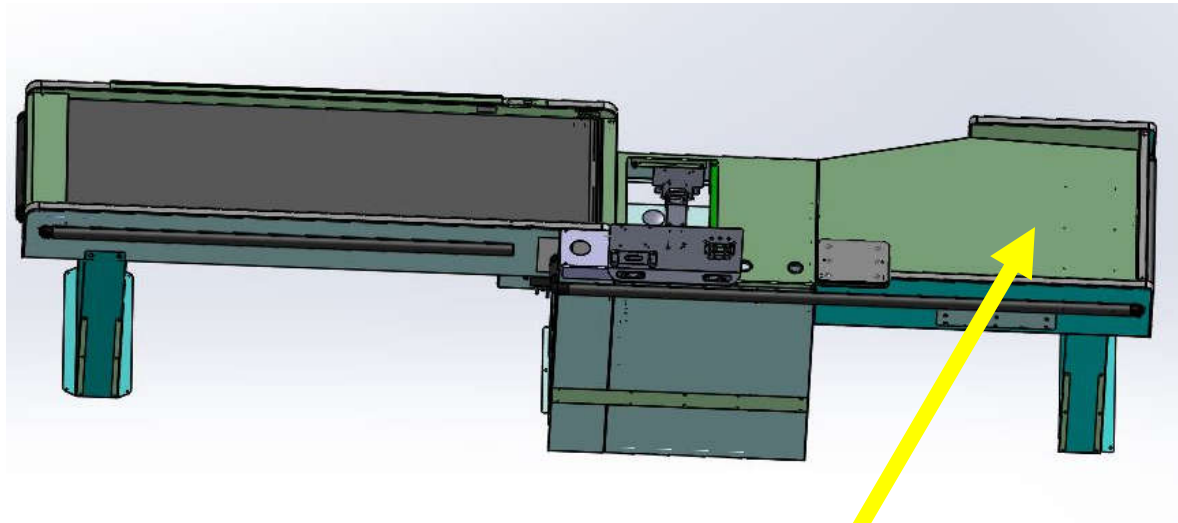
7' Conveyor Assembly
Universal Accessory Stand without Check writer
Article # 100634263
Pan Oston # BM-137095-DM_18441



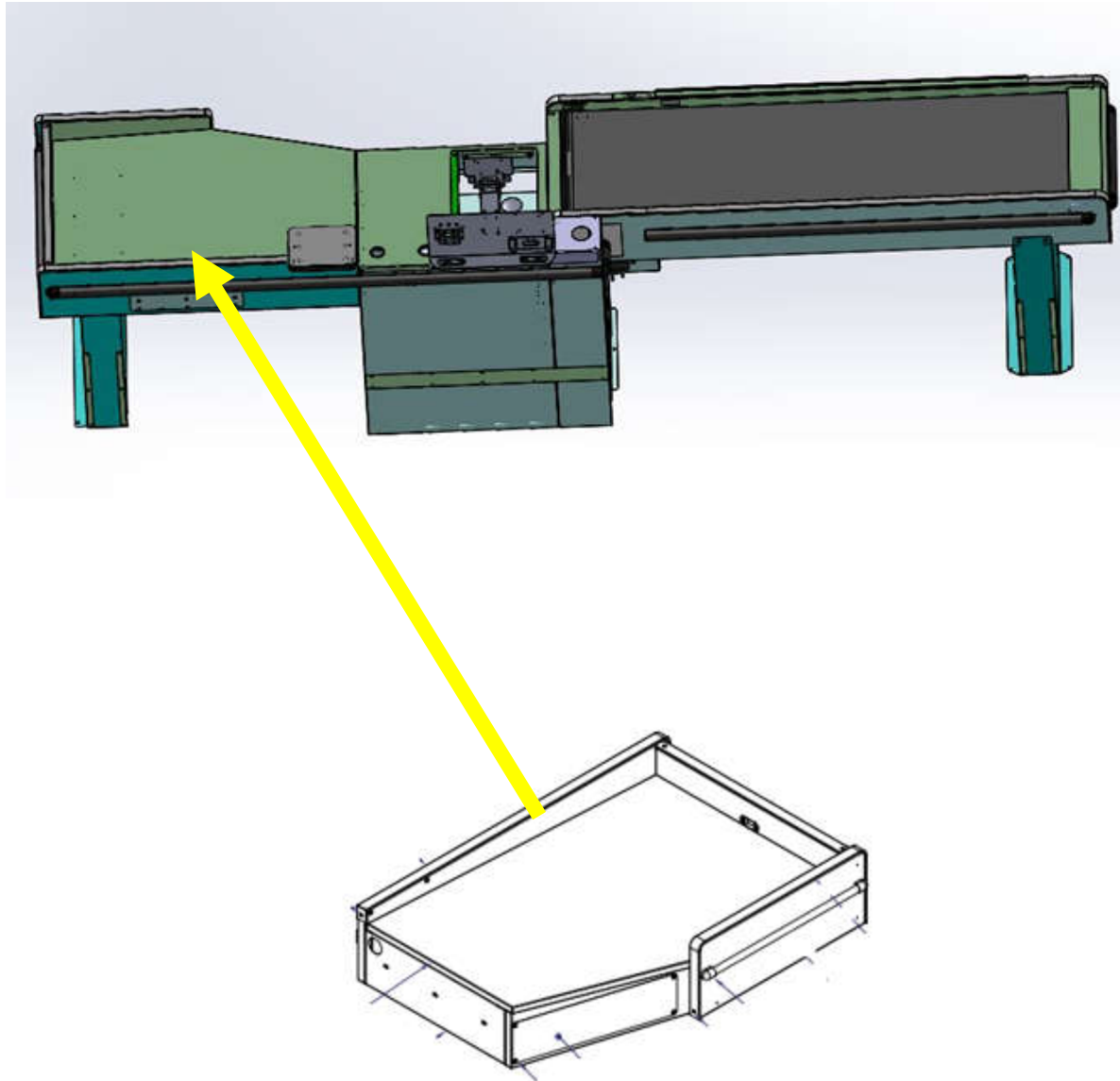
7' Conveyor Assembly
Check Writer w Policy Cover for Rail Mount
Article # 100637563
Pan Oston # BM-137096_18441



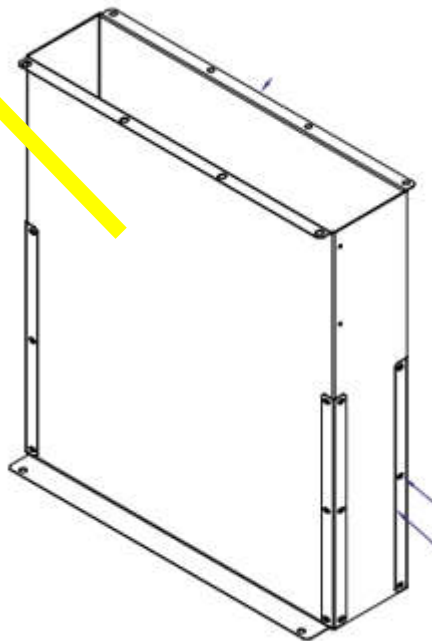
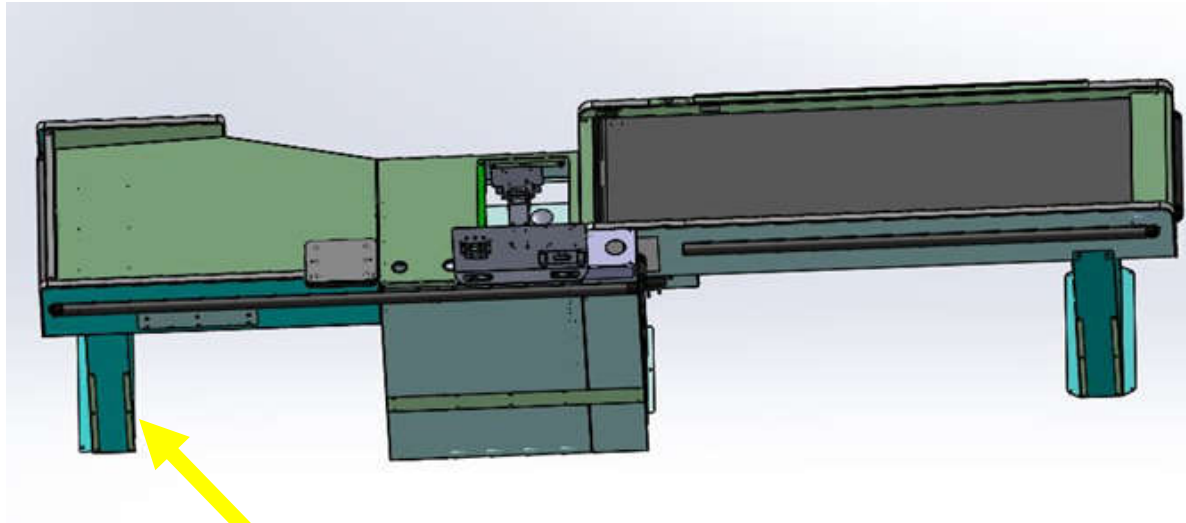
7' Conveyor Assembly Rear Scan & Pass
Left Handed
Article # 100625262
Pan Oston # BM-49605-LH_18442



7' Conveyor Assembly Rear Scan & Pass
Right Handed
Article # 100625264
Pan Oston # BM-49605-RH_18442

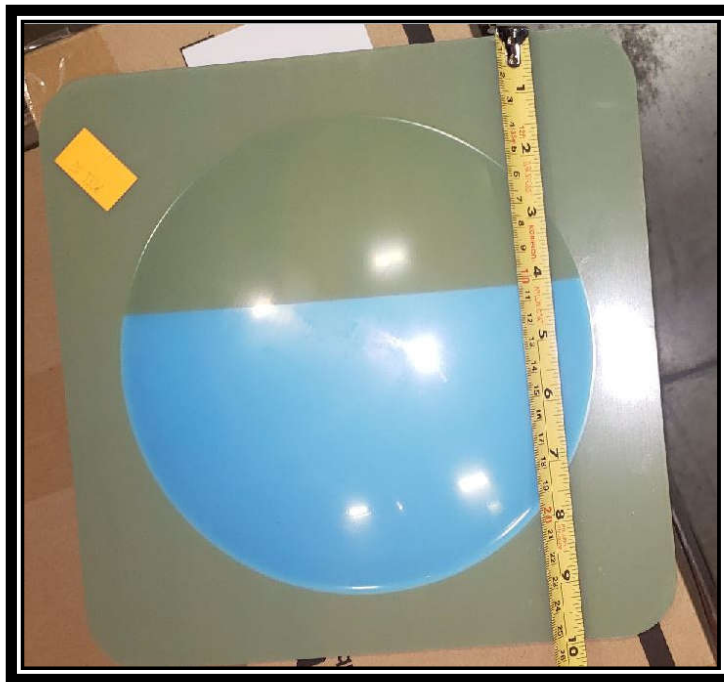
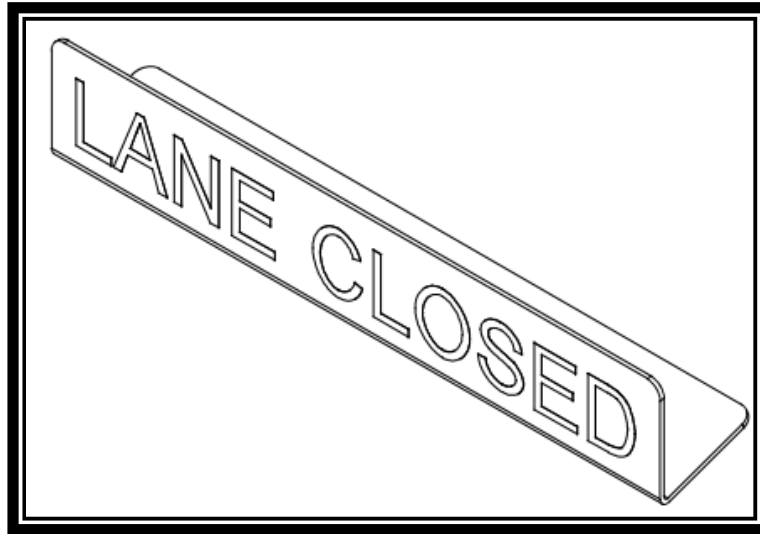


7' Conveyor Assembly Rear Scan & Pass
Pedestal (Universal)
Article # 100596331
Pan Oston # BM-49610_18442

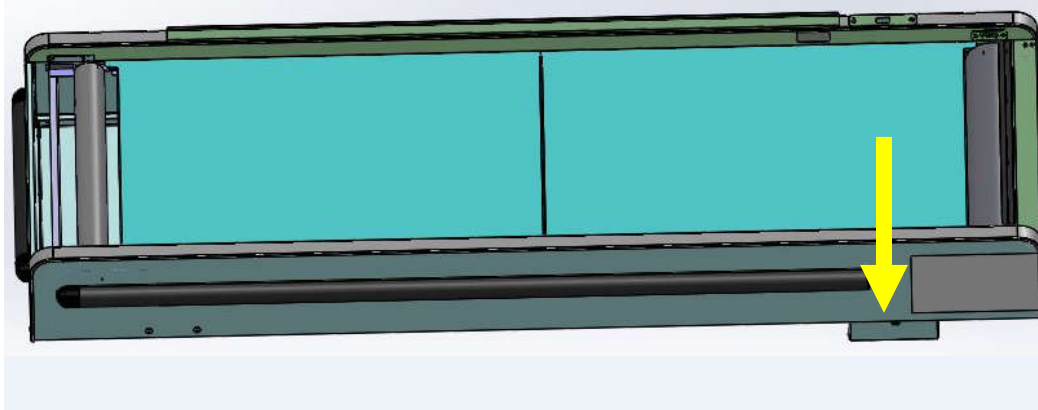
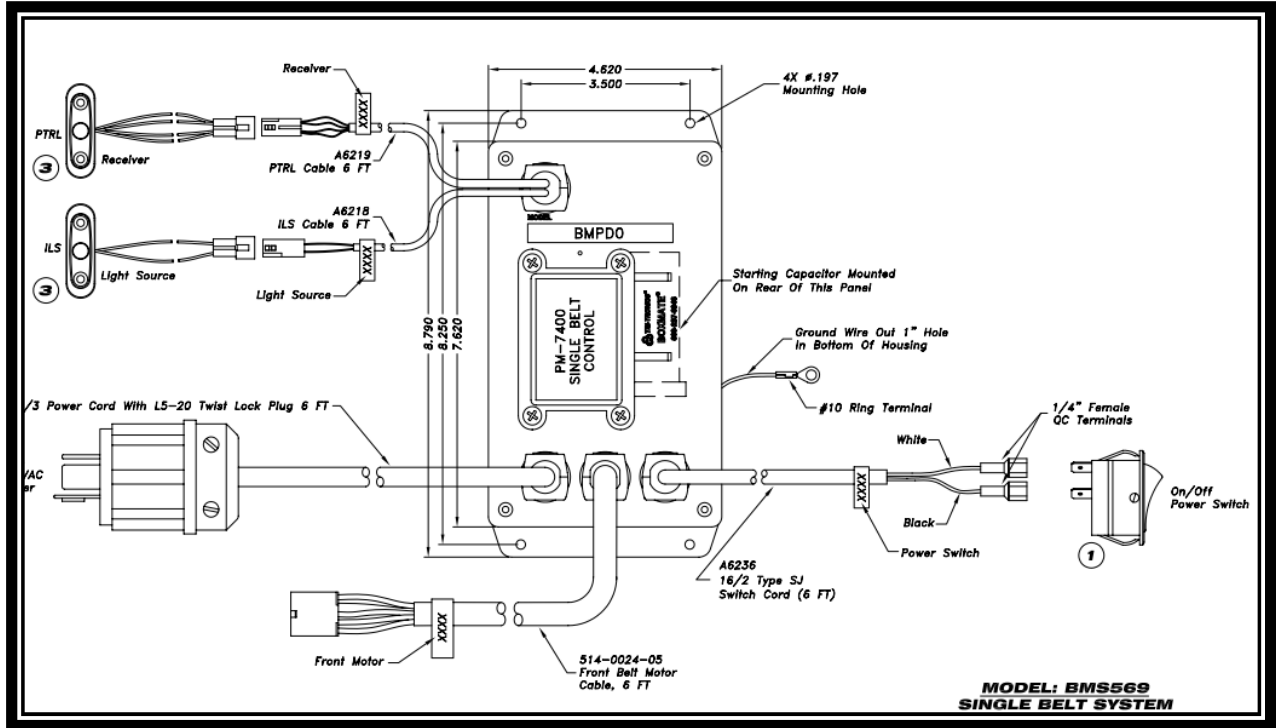


Lane Closed Sign Article #100020804
Pan Oston # 19851

Bottom of Basket Security Mirror
Article # N/A
Pan Oston # 235360



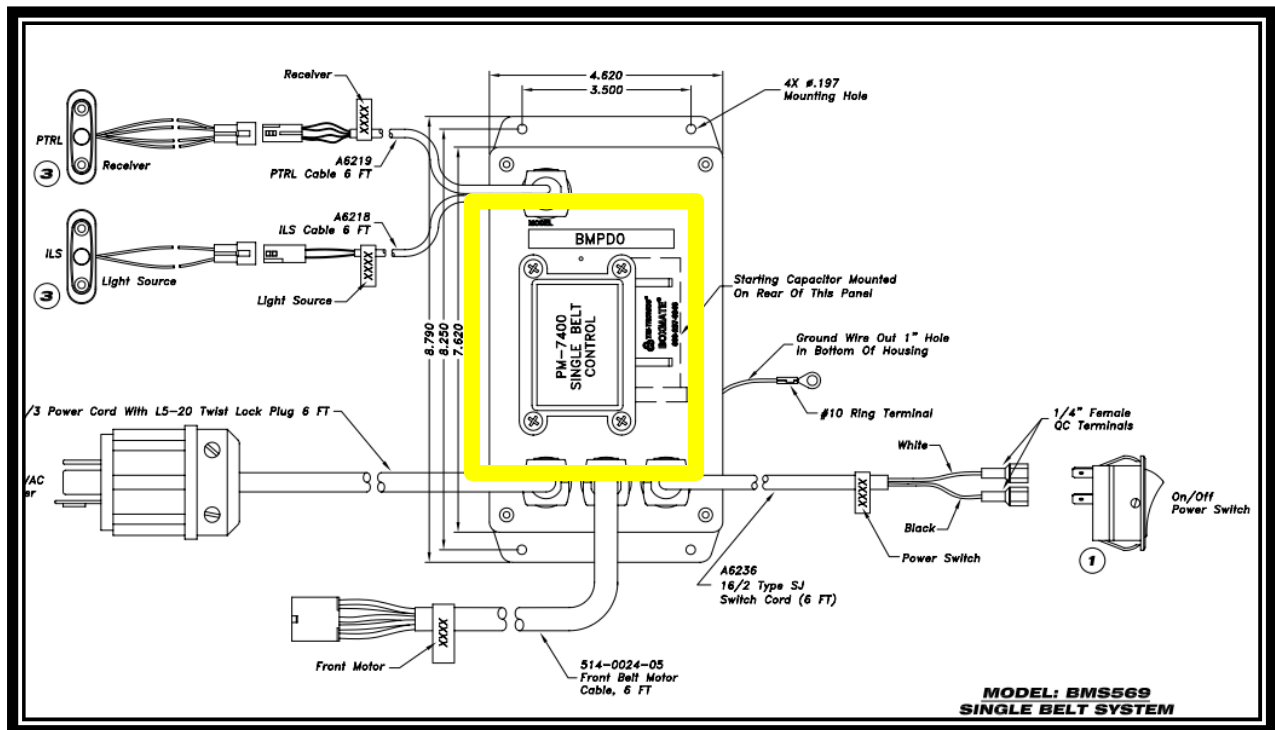
Electrical Package for Entire Conveyor
Article #N/A
Pan Oston # 105923
(Located underneath the actual conveyor)



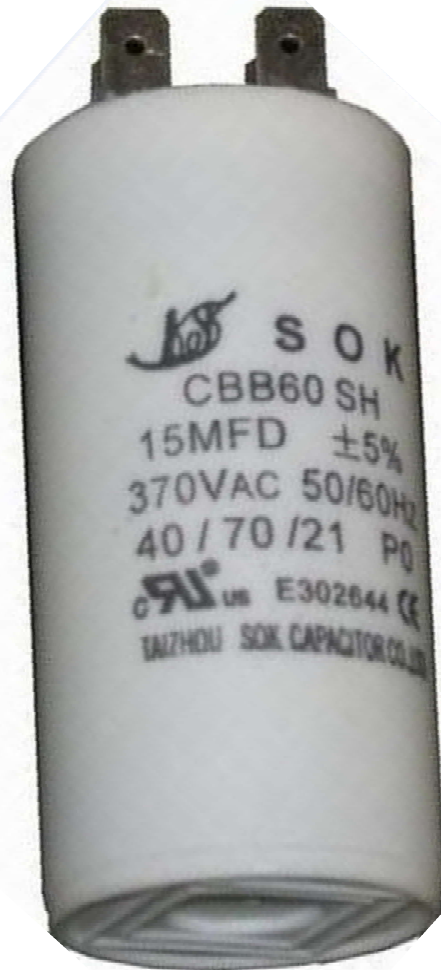
PM-7400 Control Module for Electrical Package

Article #N/A

Pan Oston # 104373



Capacitor 15MF
Article #N/A
Pan Oston # 609-15



Wal-Mart Power Cord for Power Pole
(Pigtail connection)
Article #100583829
Pan Oston # 57476



2" Rigid Bumper Components

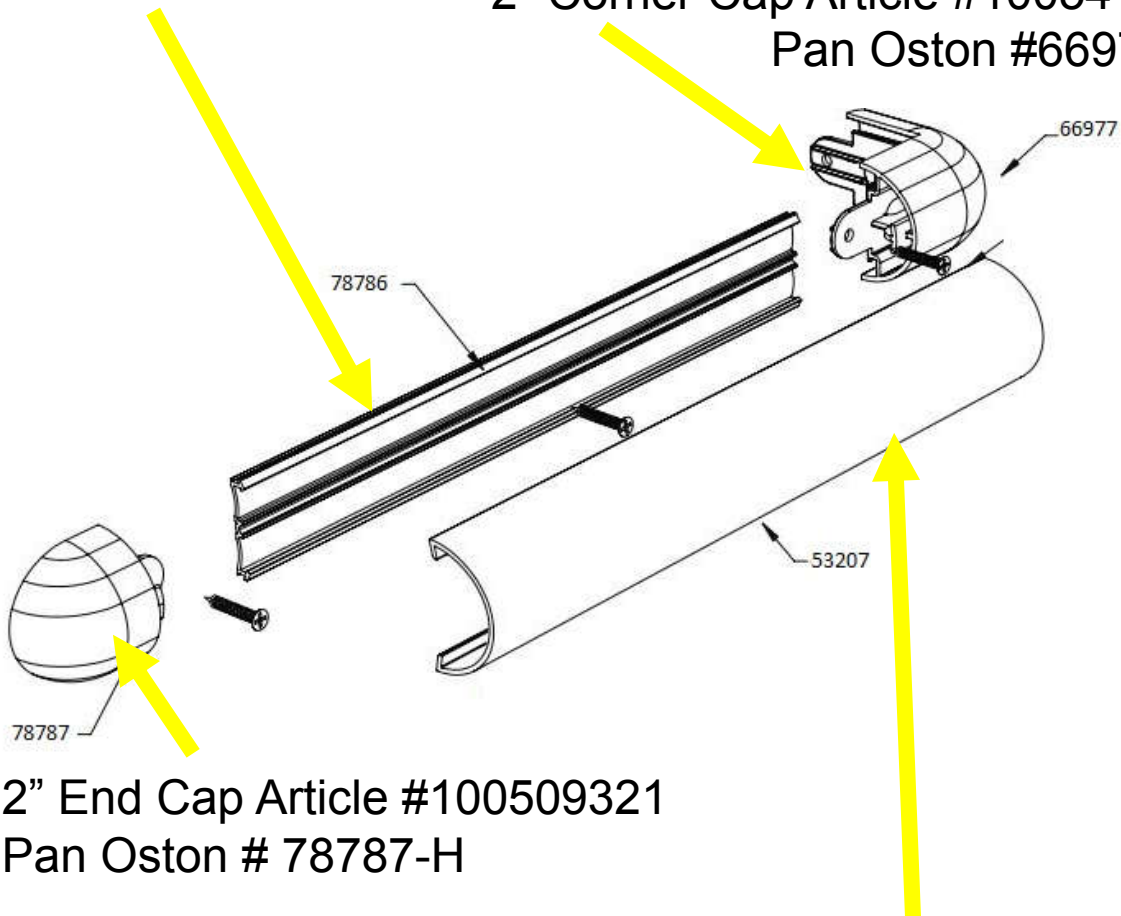
12' Roll of Bumper Mounting Track

Article #100509319

Pan Oston # 78786

2" Corner Cap Article #100541374

Pan Oston #66977-B



2" End Cap Article #100509321

Pan Oston # 78787-H

12' Stick of Bumper Article #100521761

Pan Oston # 53207



1" Rigid Bumper Components

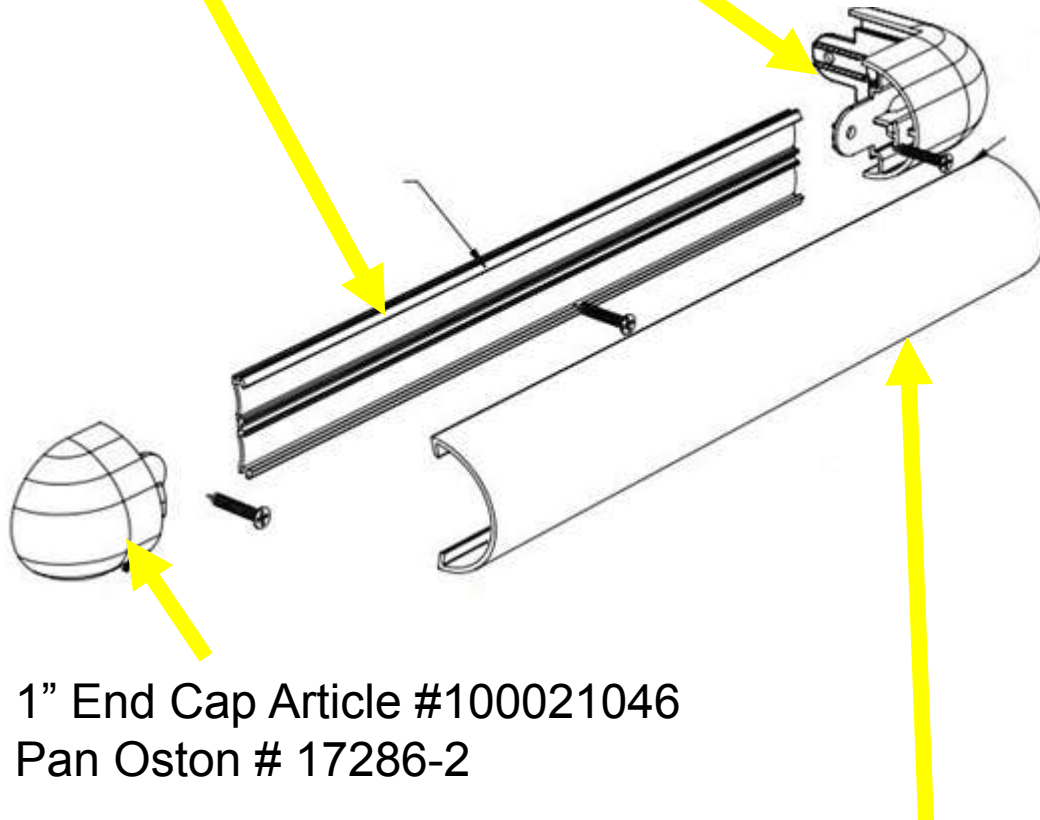
12' Roll of 1" Bumper Mounting Track

Article #N/A

Pan Oston # 17284

1" Corner Cap Article #N/A

Pan Oston #18067-2



1" End Cap Article #100021046

Pan Oston # 17286-2

12' Stick of 1" Bumper Article #N/A

Pan Oston # 18068

