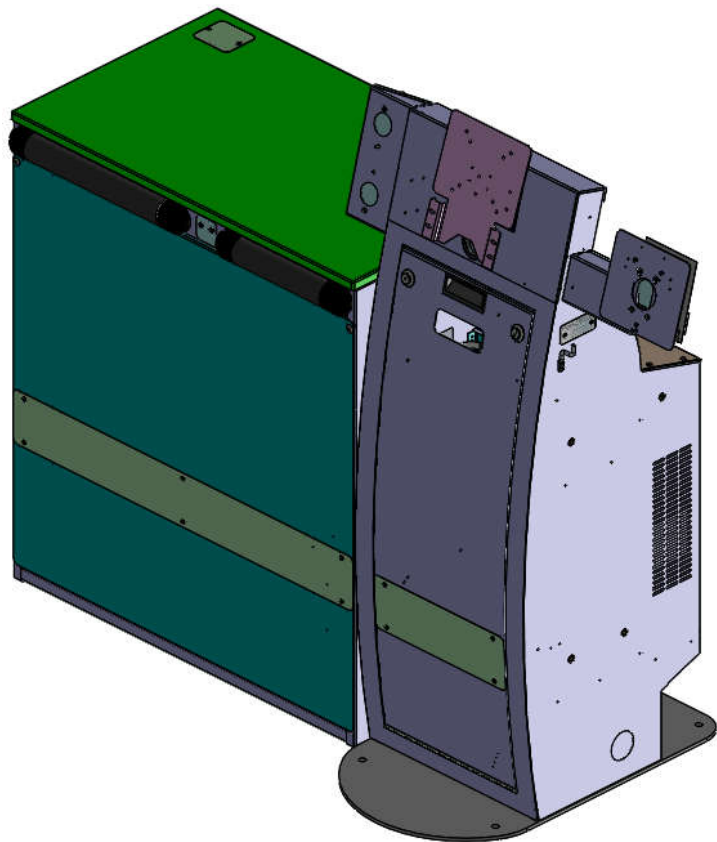
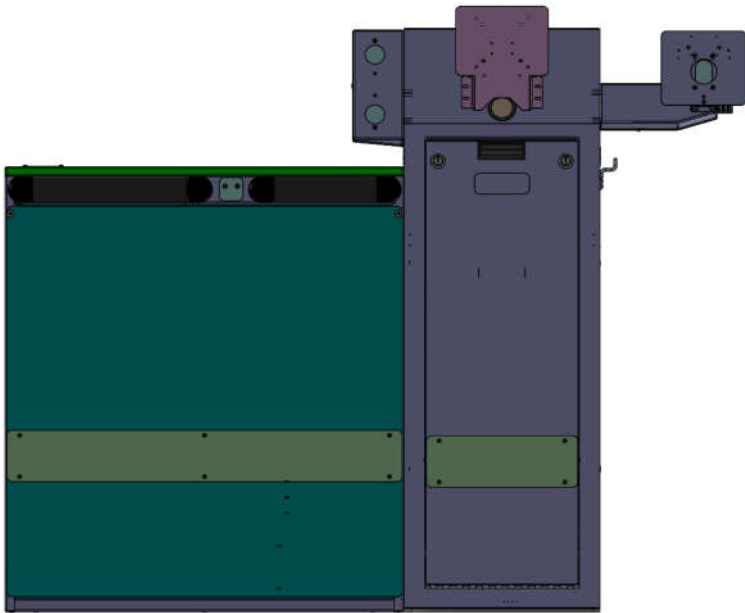
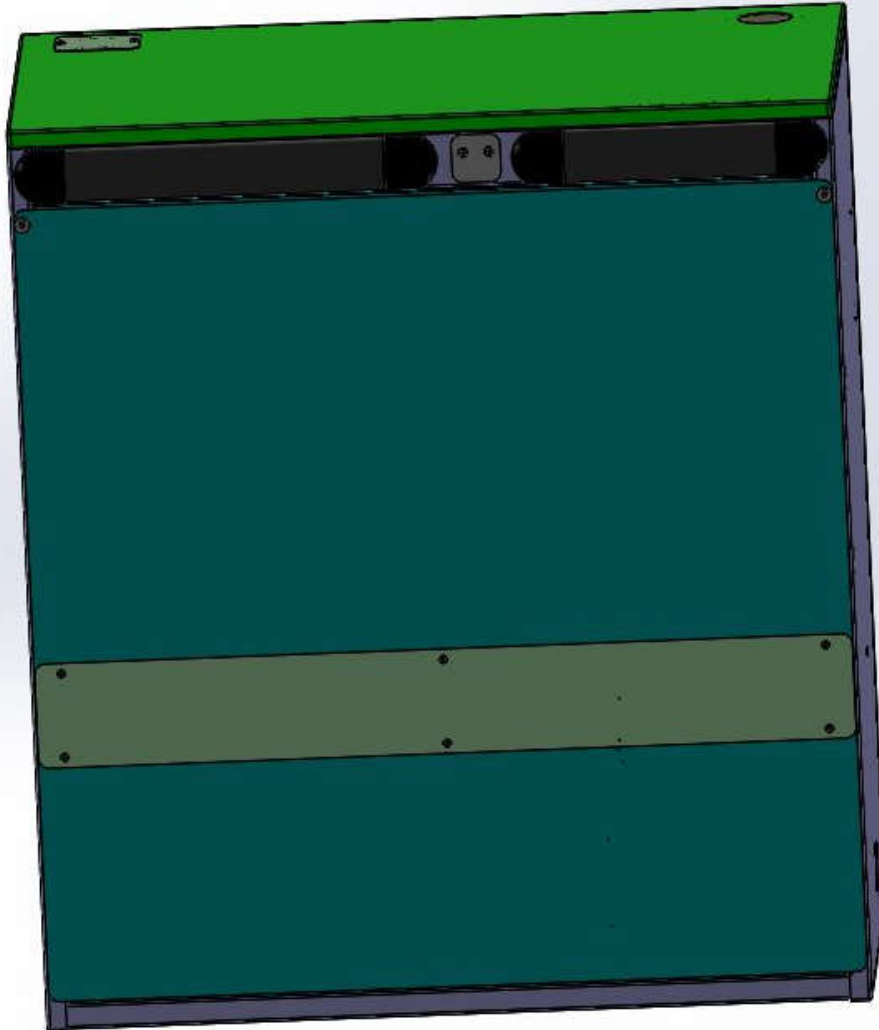


# Sam's Club

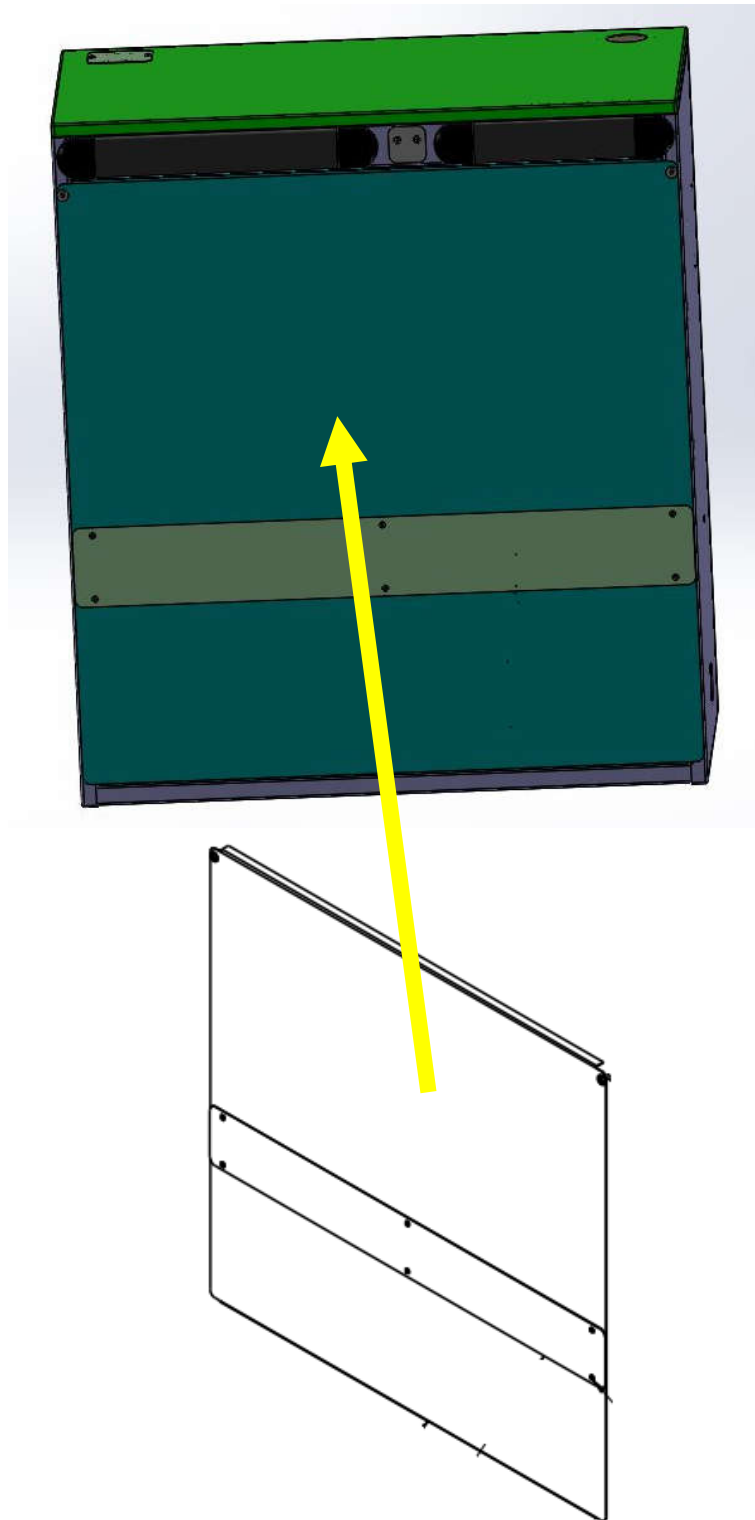
## Checklane Replacement Parts Identification for Club Kiosk & Set Aside Cabinet



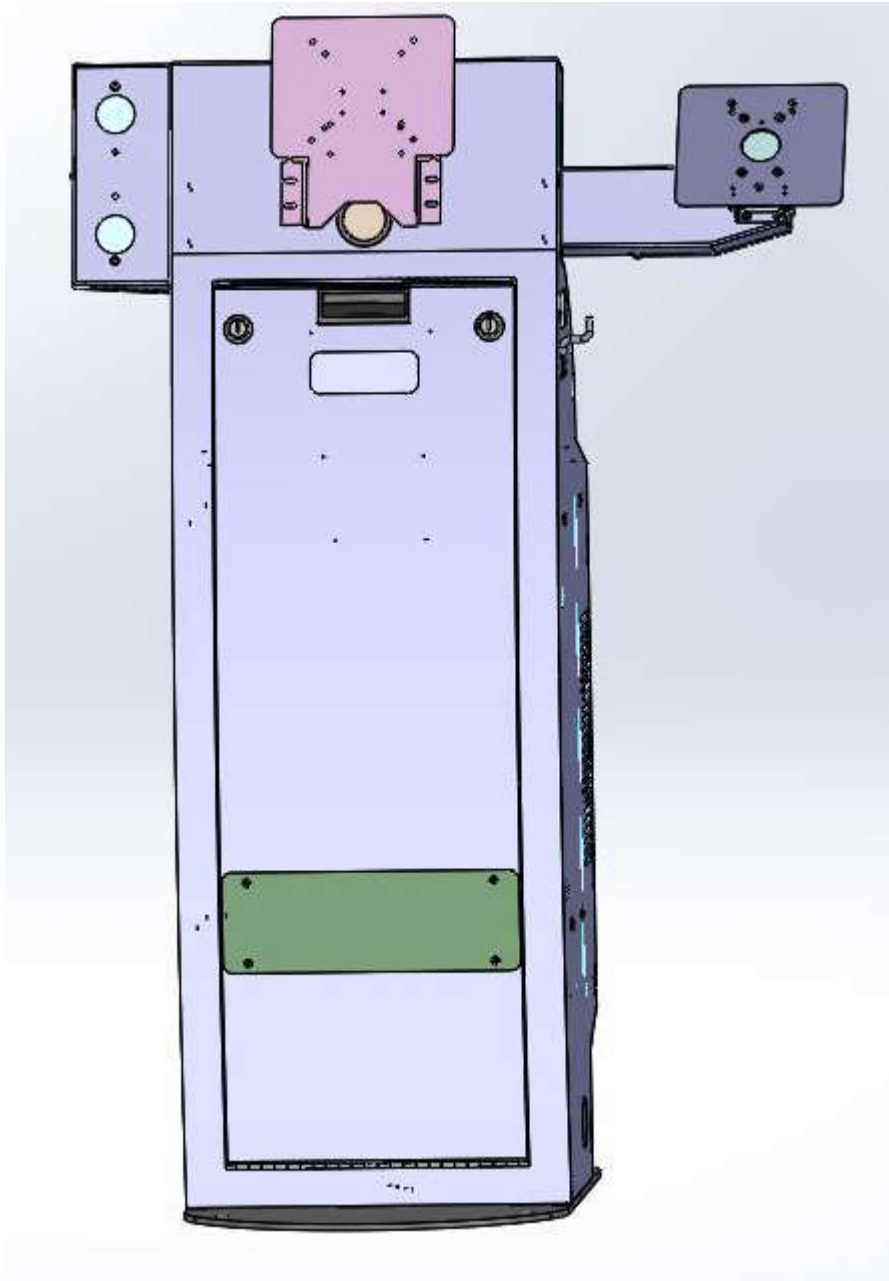
Set Aside Cabinet  
Article # 100569848  
Pan Oston # BM-130432\_18442



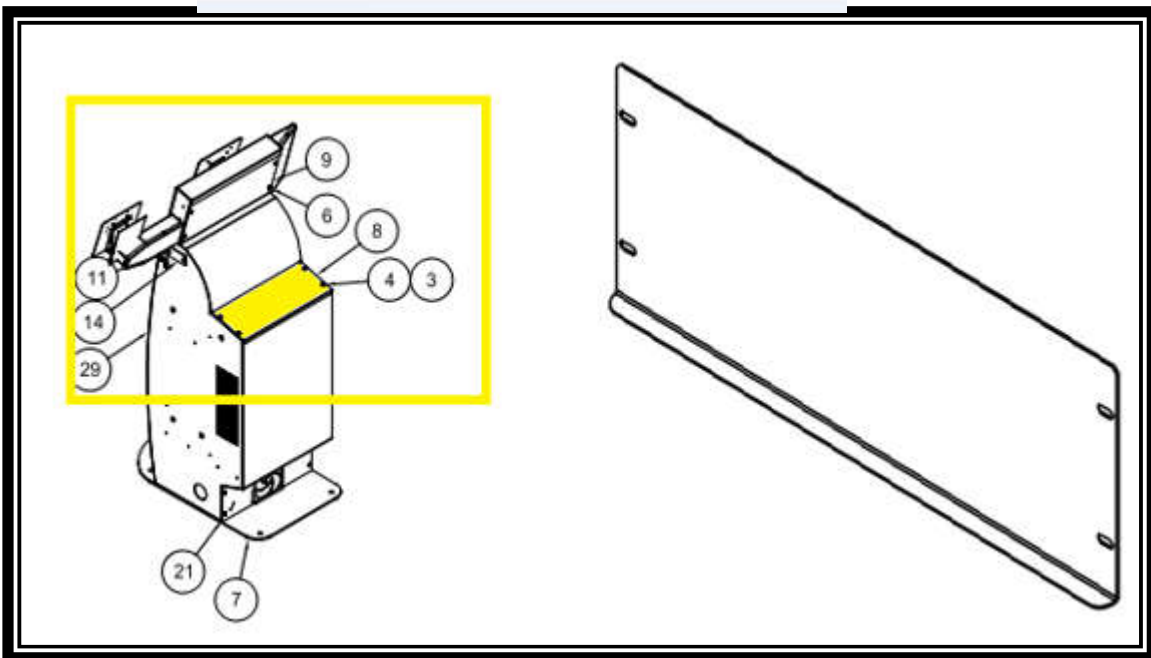
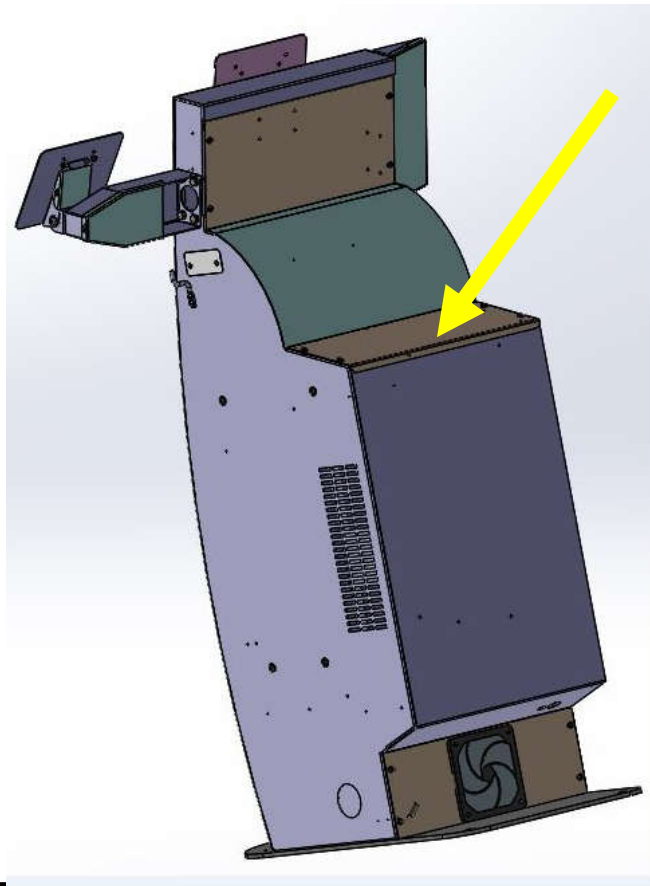
Set Aside Cabinet Front Panel  
Article # 100668401  
Pan Oston # BM-121235\_18442



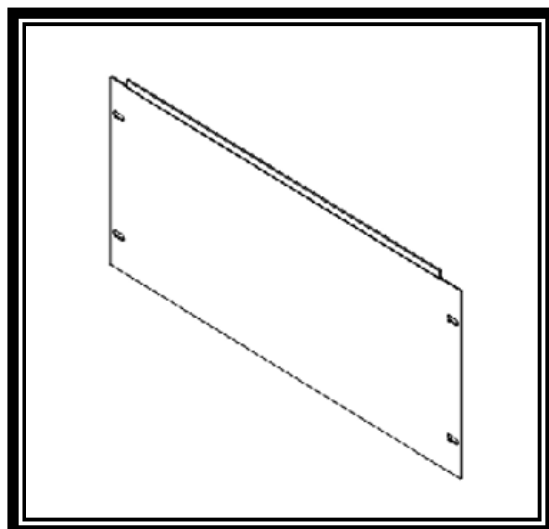
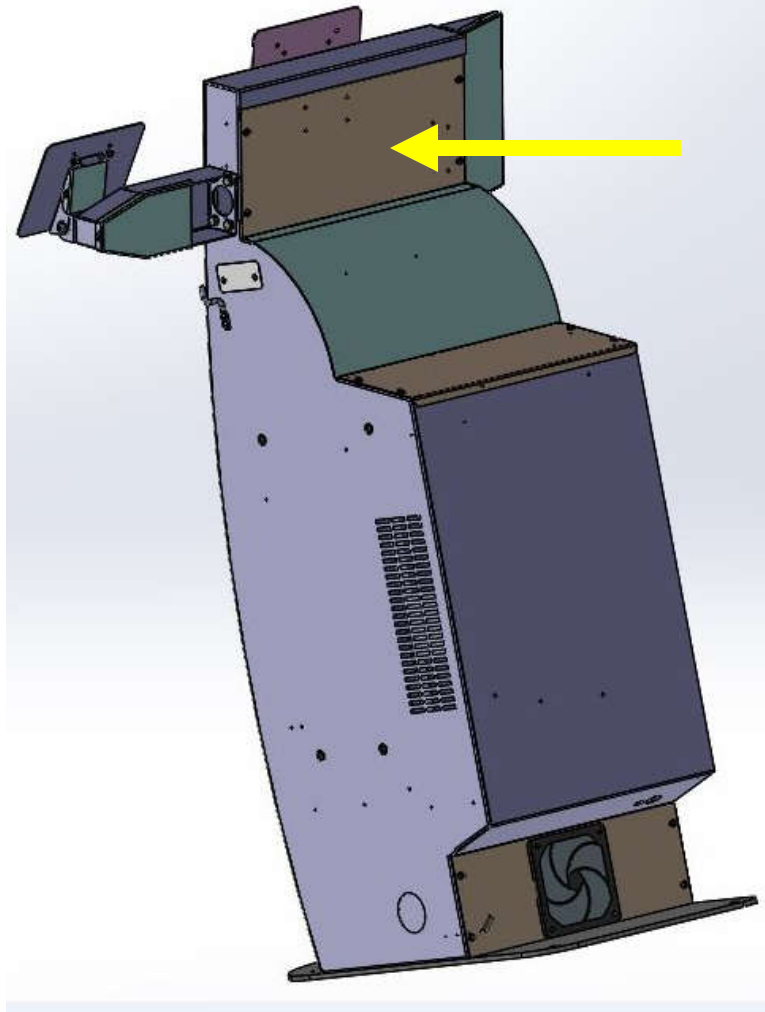
Sam's Club Kiosk  
Article # 100532167  
Pan Oston # BM-140183\_18442



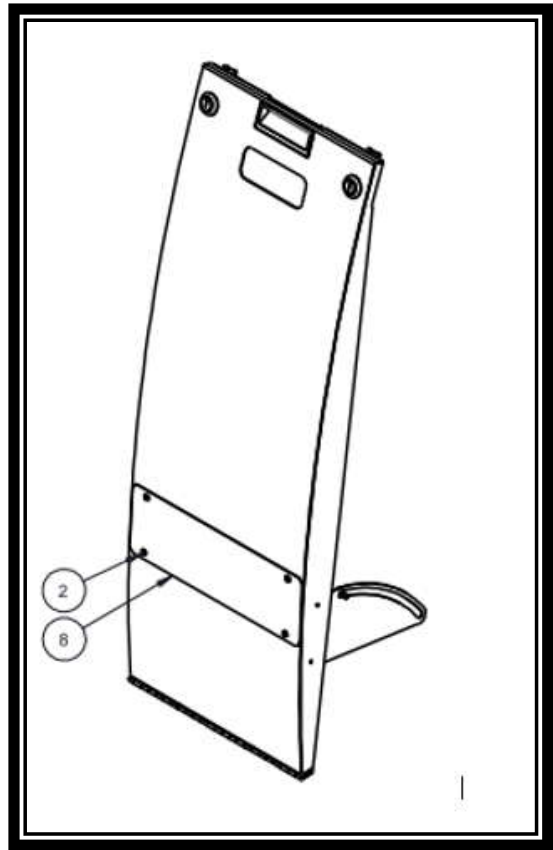
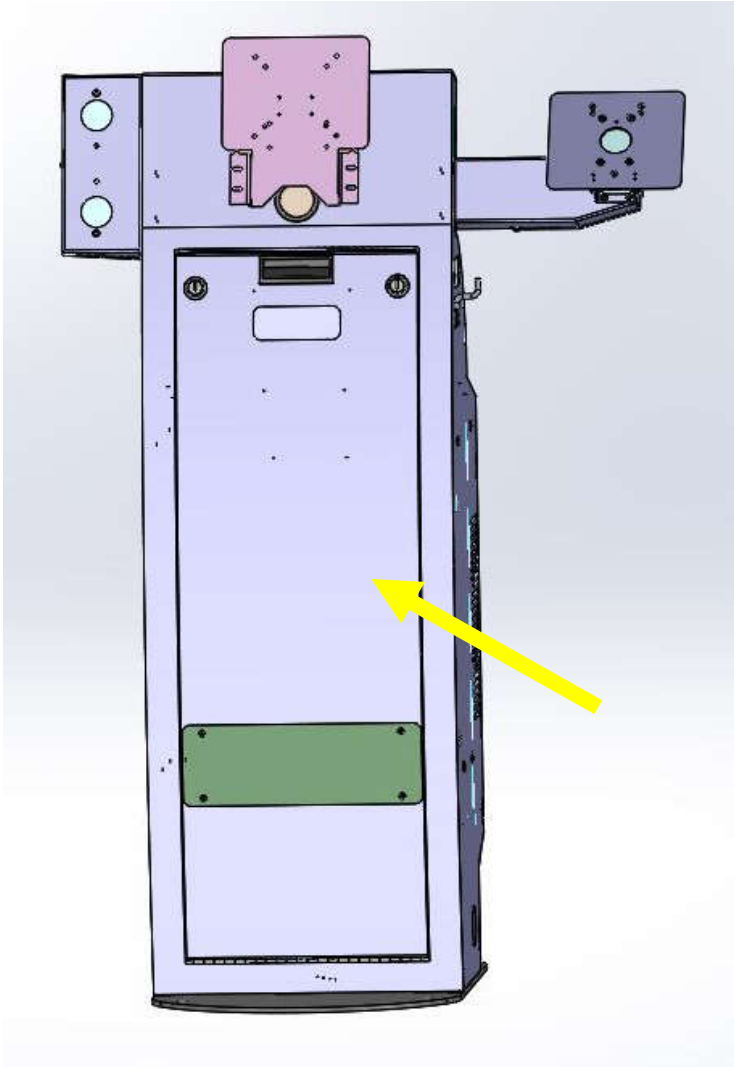
Cover Plate for Kiosk  
Article # 100543897  
Pan Oston # 221380\_18442



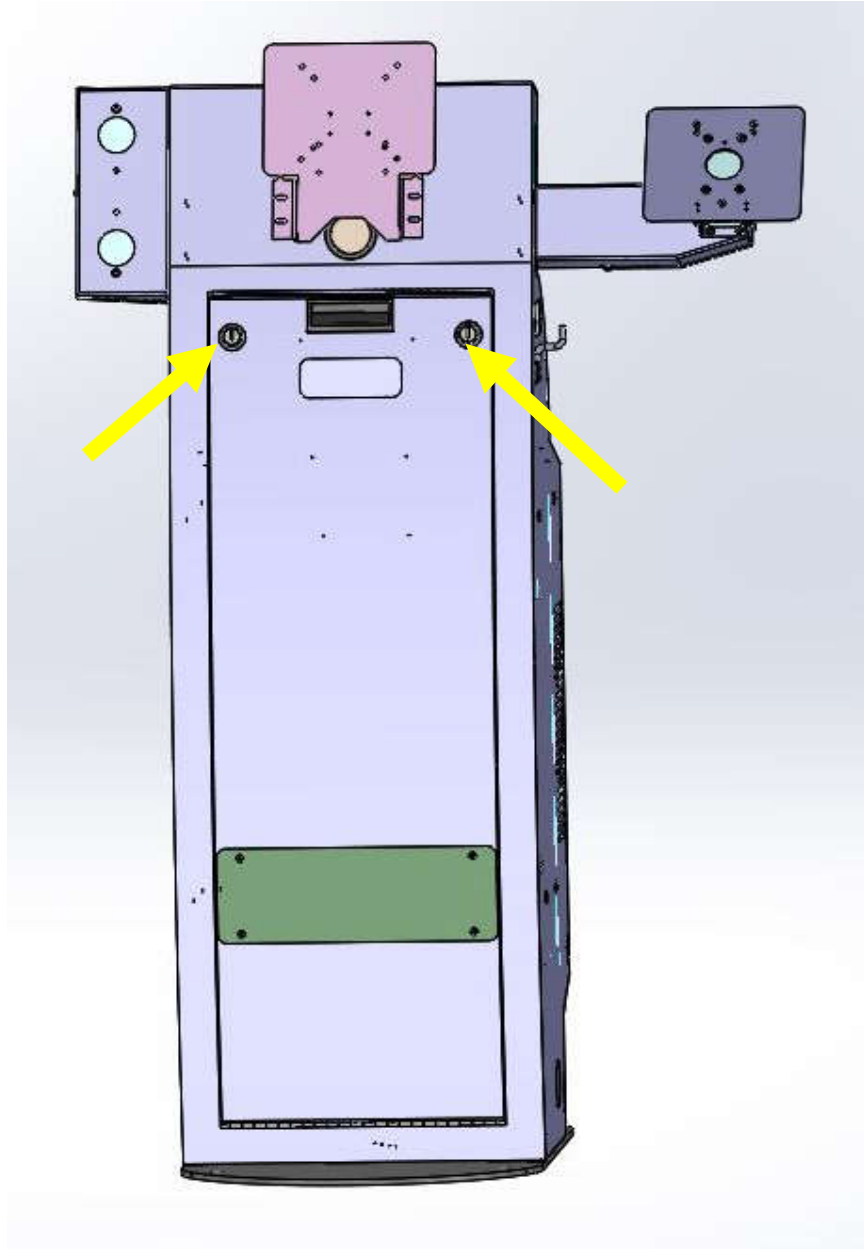
Monitor Cover Plate for Kiosk  
Article # 100625896  
Pan Oston # BM-138091\_18442



Front Door Assembly  
Article # 100543915  
Pan Oston # BM-121213\_18442



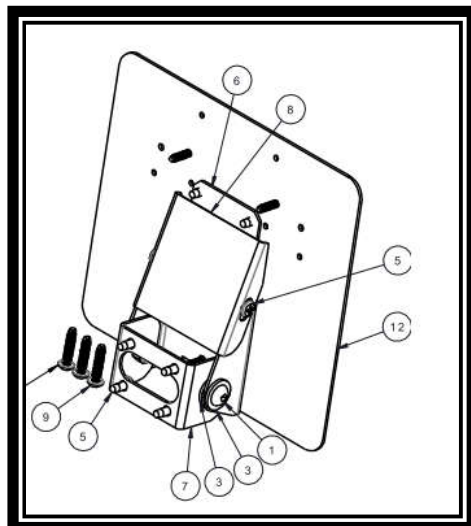
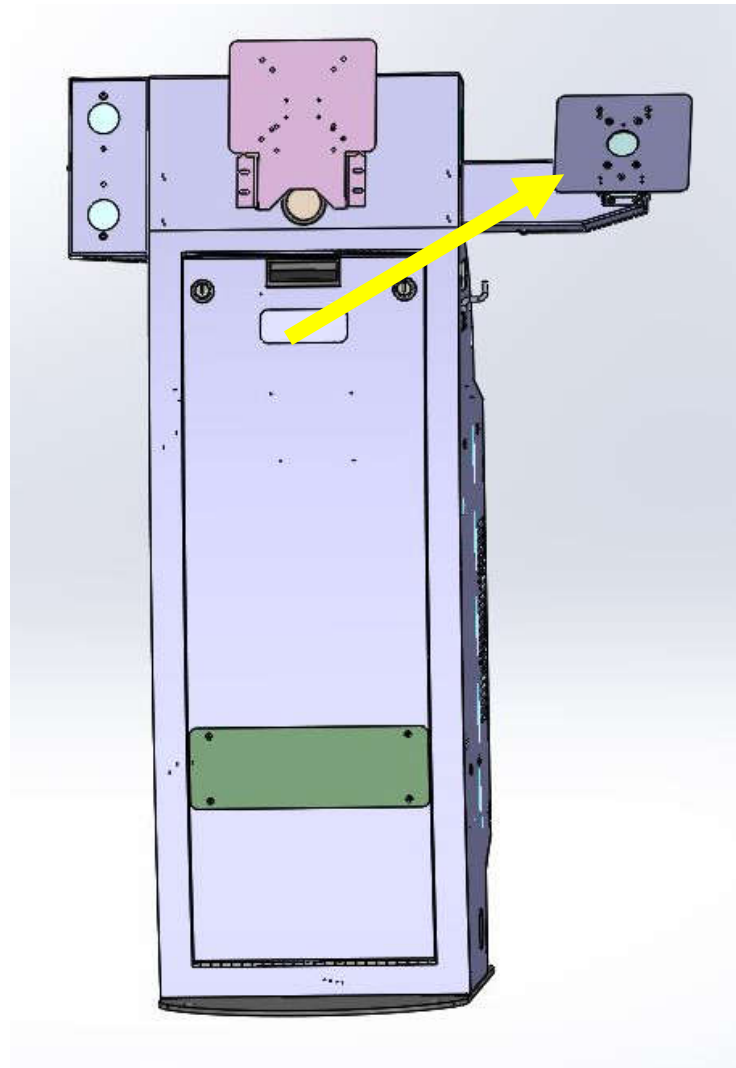
Front Door Keys for locks  
Article # 100554884  
Pan Oston # 28340-13K



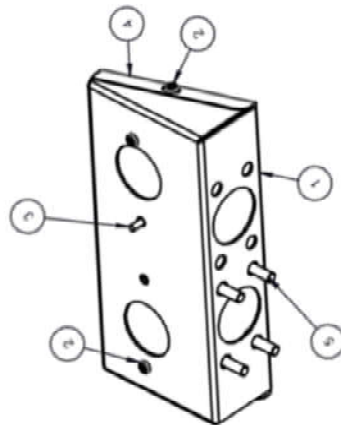
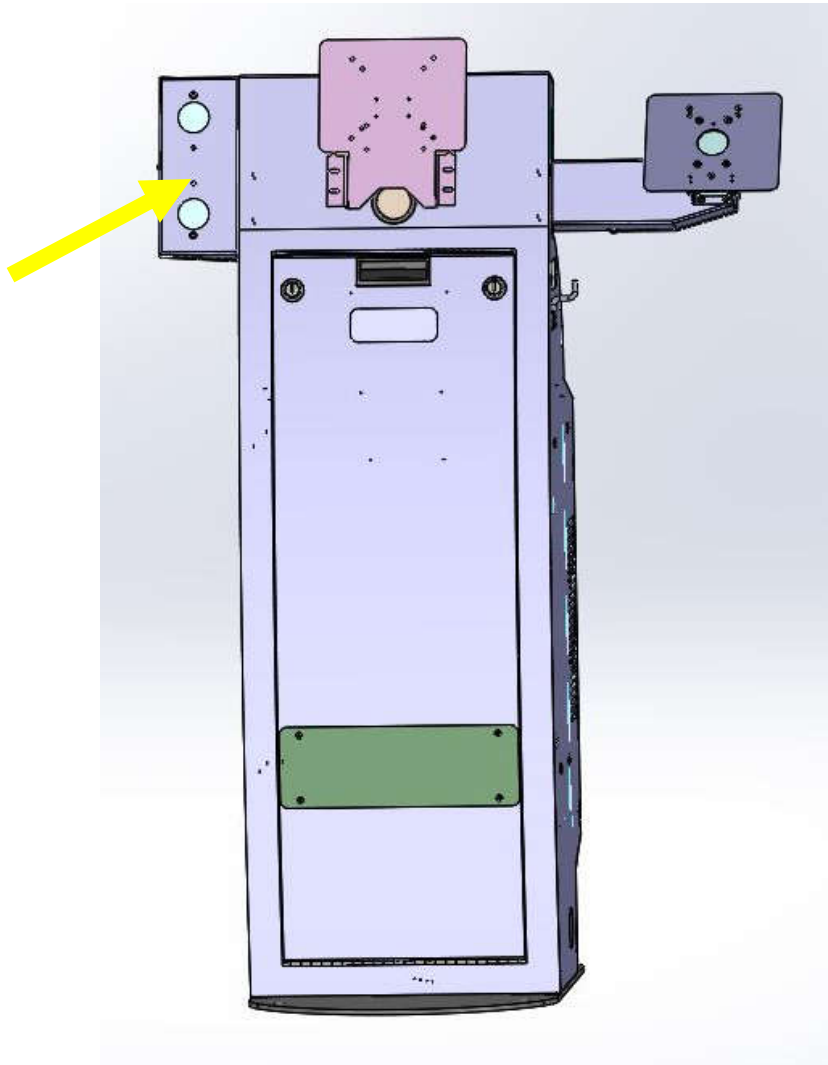
Front Door locks  
Article # 100652689  
Pan Oston # 28340-13



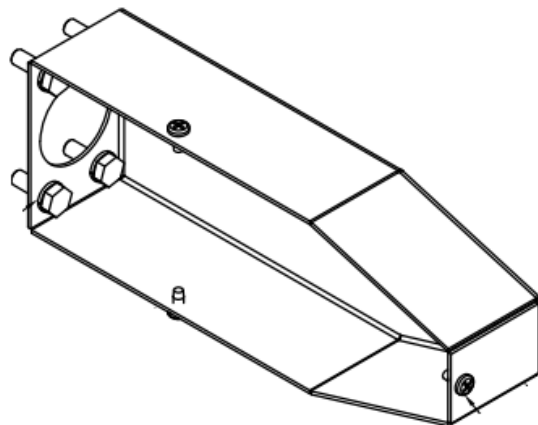
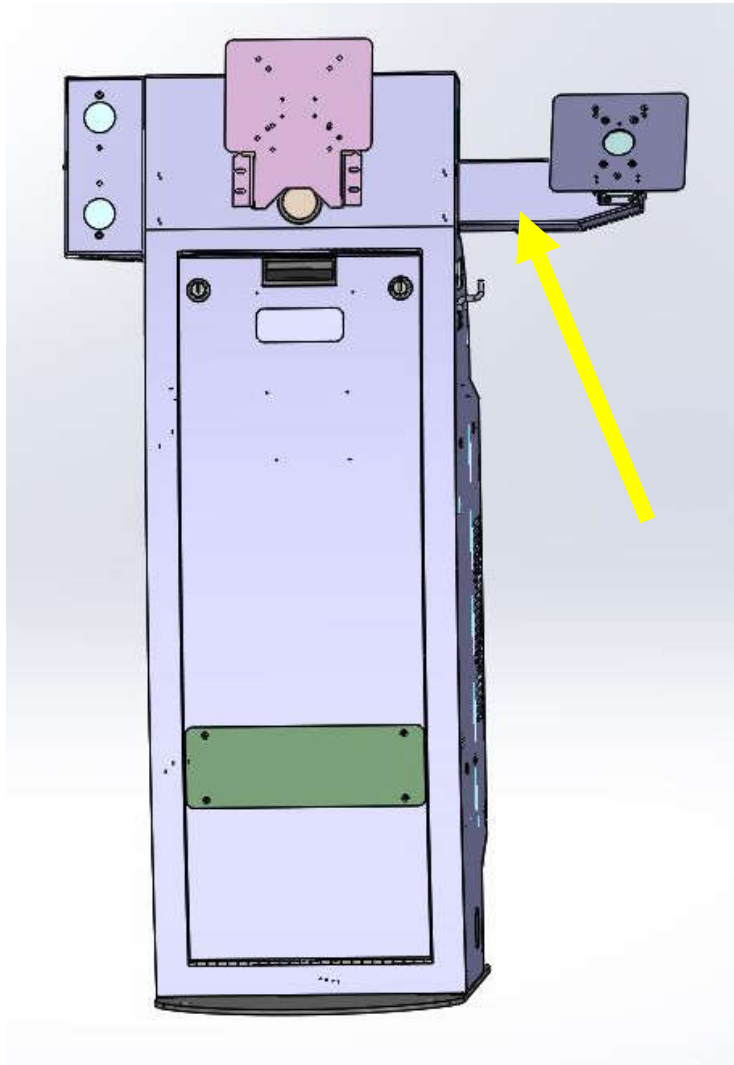
EFT Mount Assembly  
Article # 100535108  
Pan Oston # BM-121216\_18442



Hand Scanner Mount Assembly  
Article # 100532816  
Pan Oston # BM-121244\_18442



EFT Mount Bracket  
Article # 100535128  
Pan Oston # BM-121246\_18442



Monitor Mount Bracket  
Article # N/A  
Pan Oston # BM-121368\_18442

