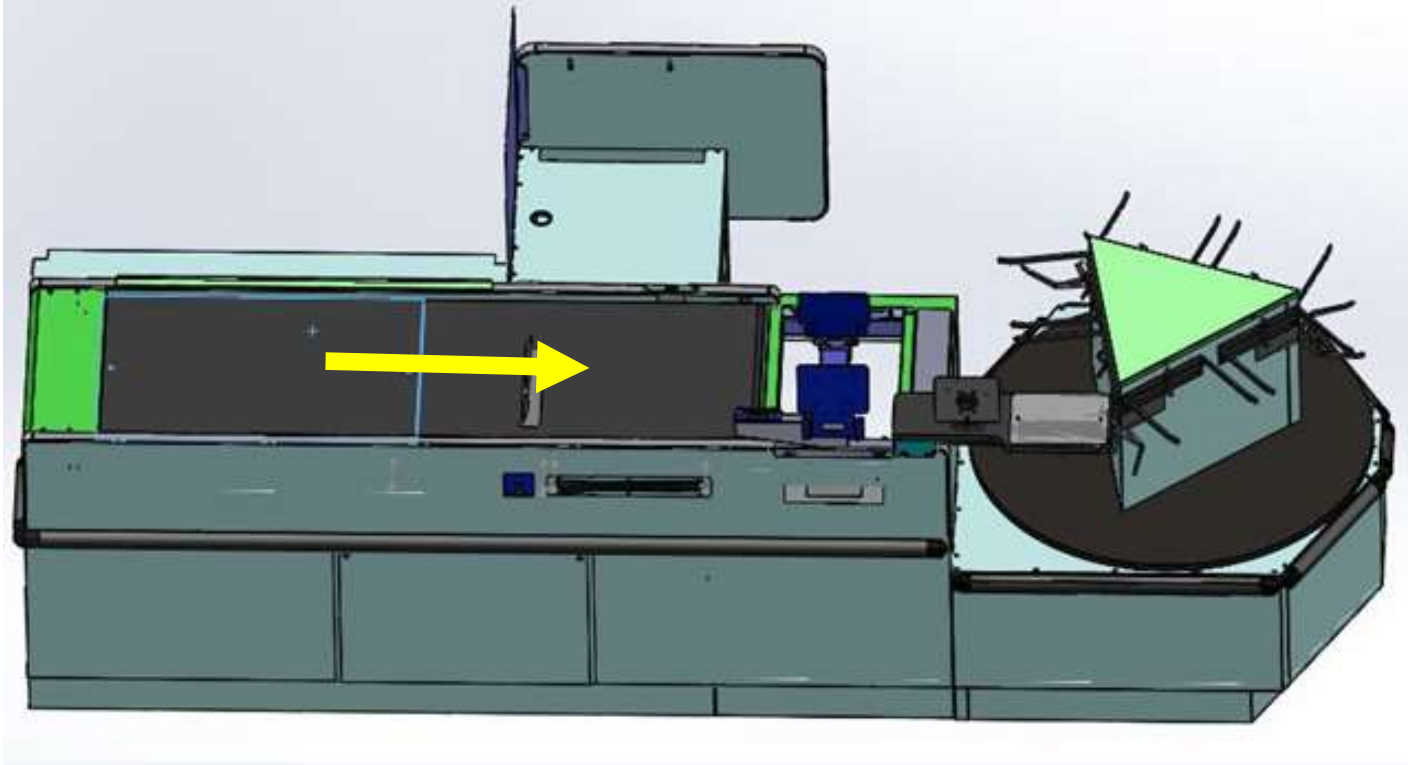
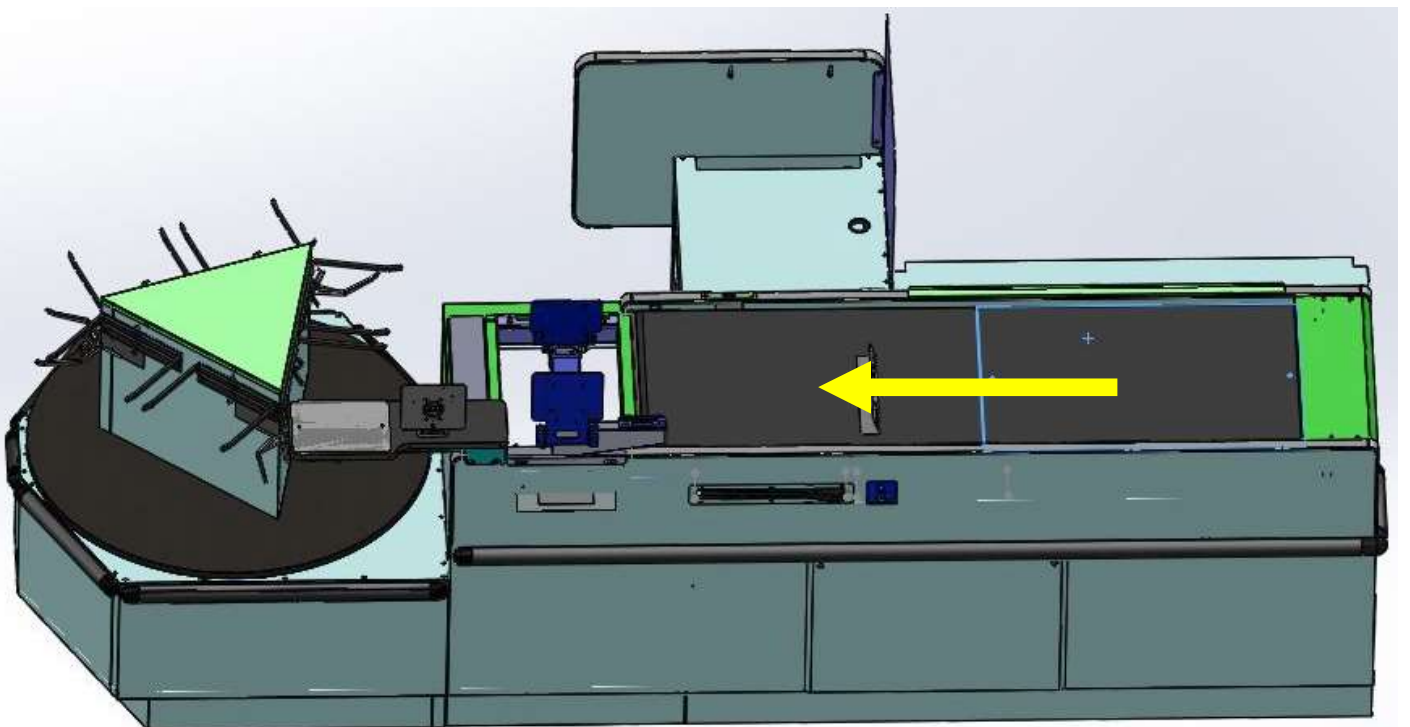


# Wal-Mart

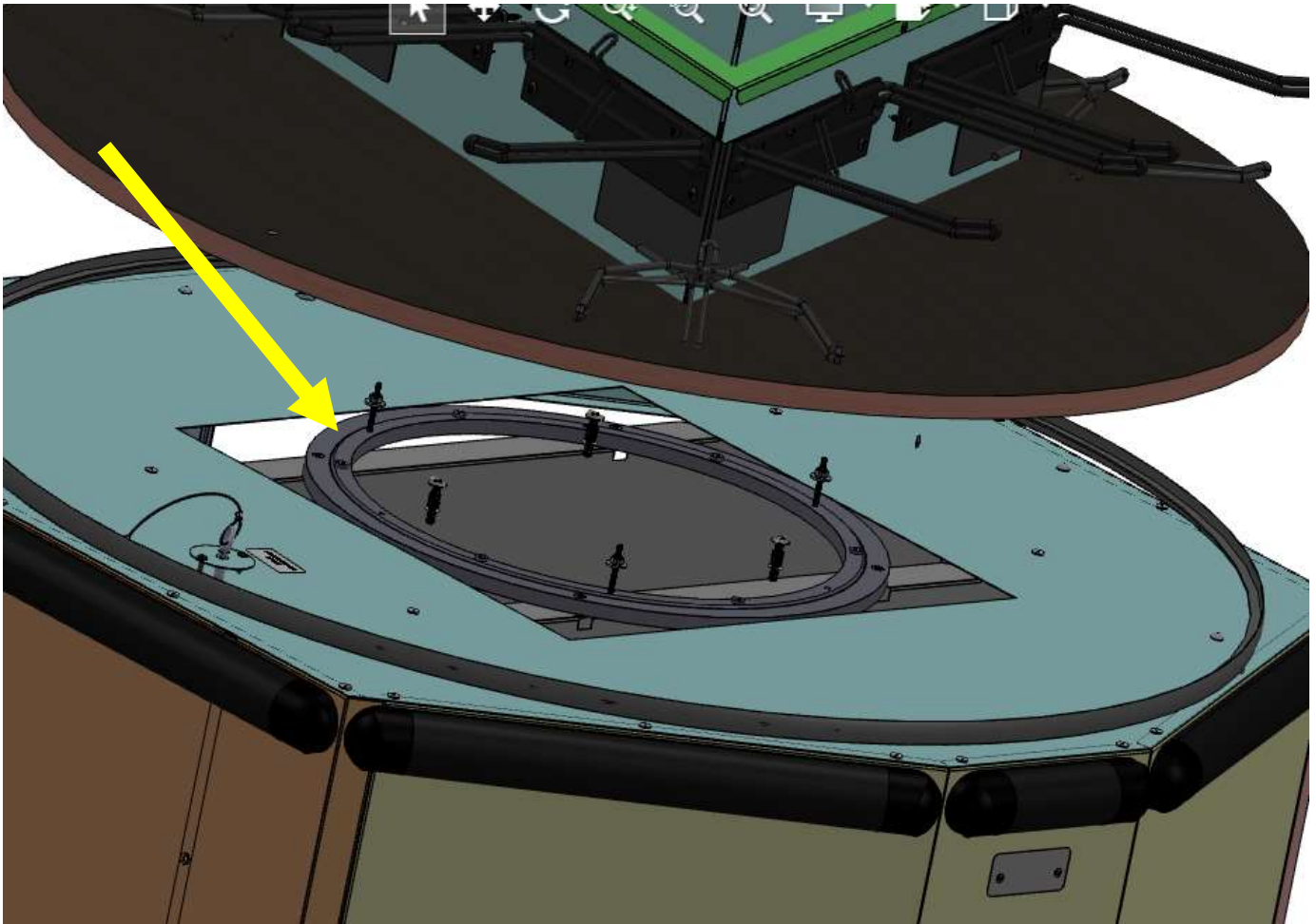
## Checklane Replacement Parts Identification for the Older Style 8' Left Handed Conveyor Lane



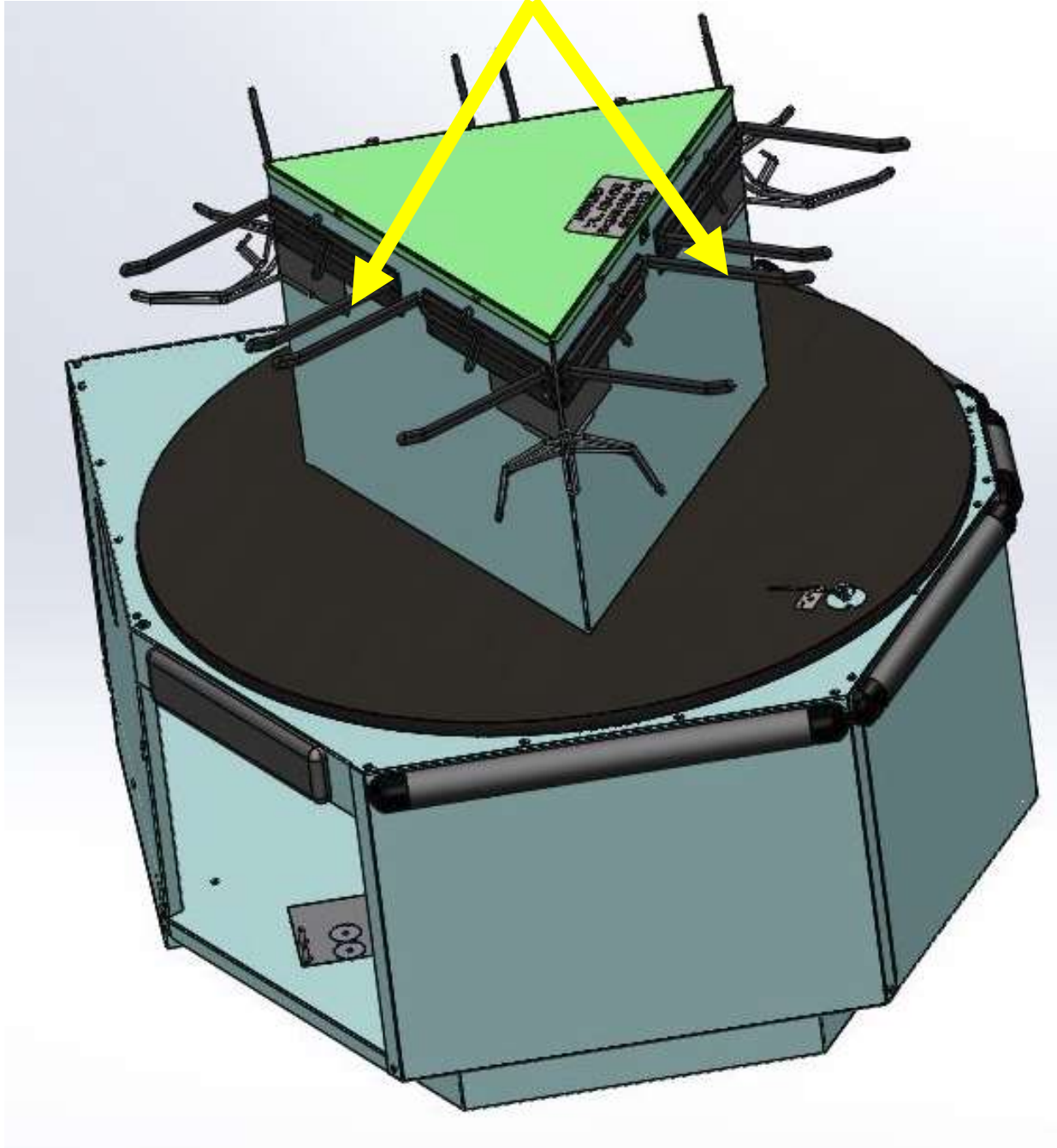
## 8" Right Handed Conveyor Lane



18" Bearings for Rear Carousel  
Article # 100020598  
Pan Oston # 105407



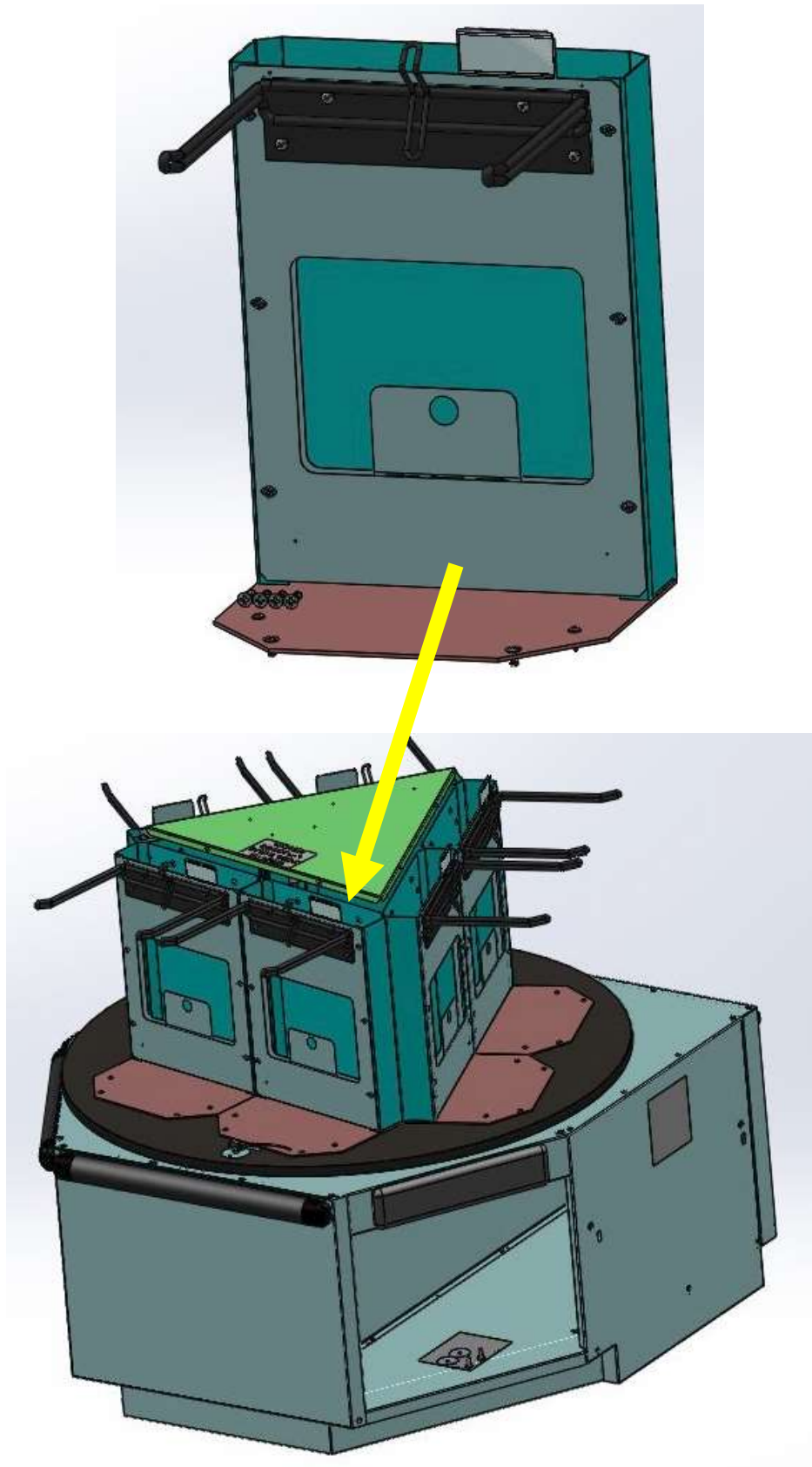
Bag Racks for Rear Carousel  
Article # 100020575  
Pan Oston # 46951-6



# Paper Bag Rack Kit for Rear Carousel

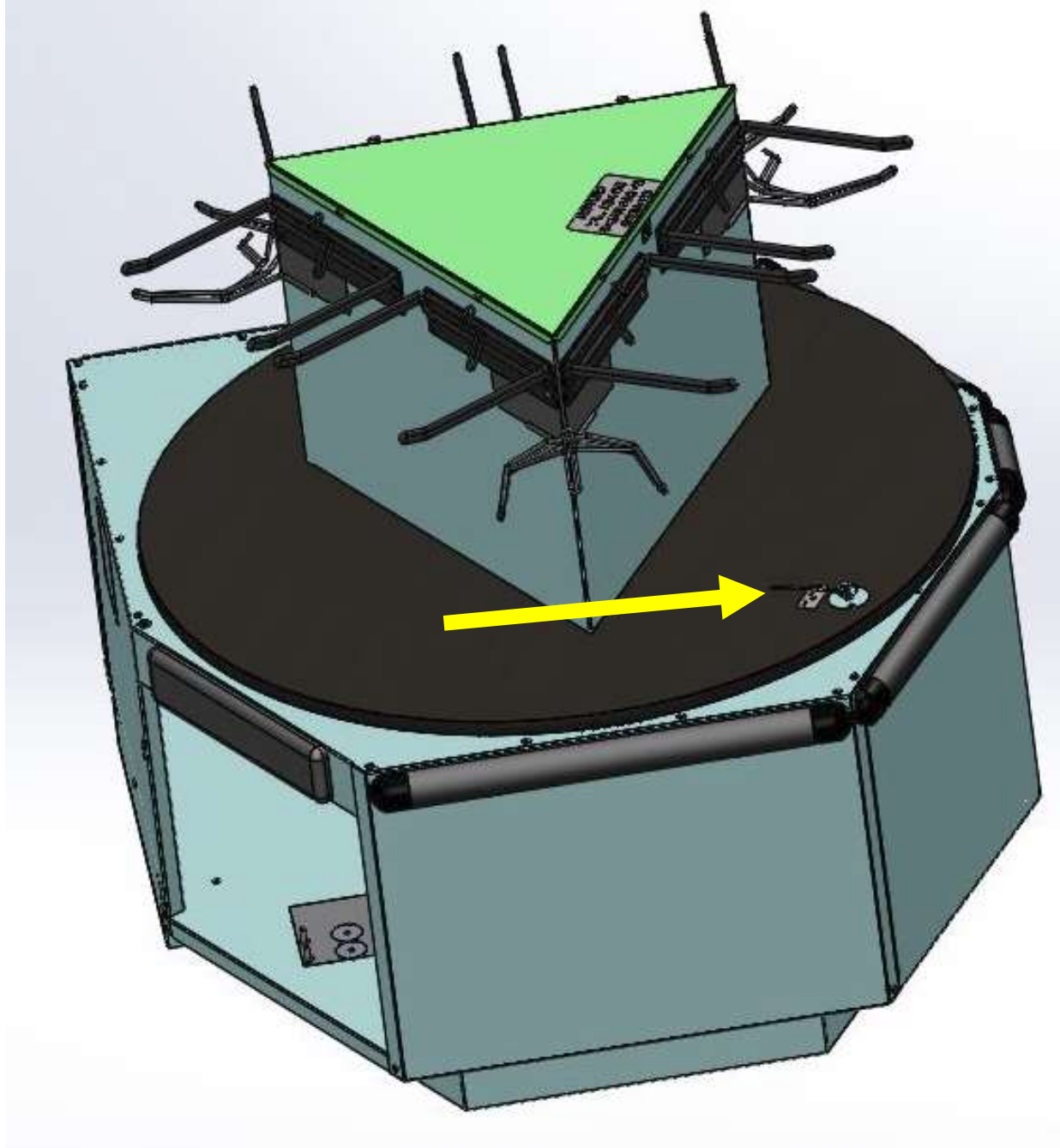
Article # 100663497

Pan Oston # BM-143050\_18441

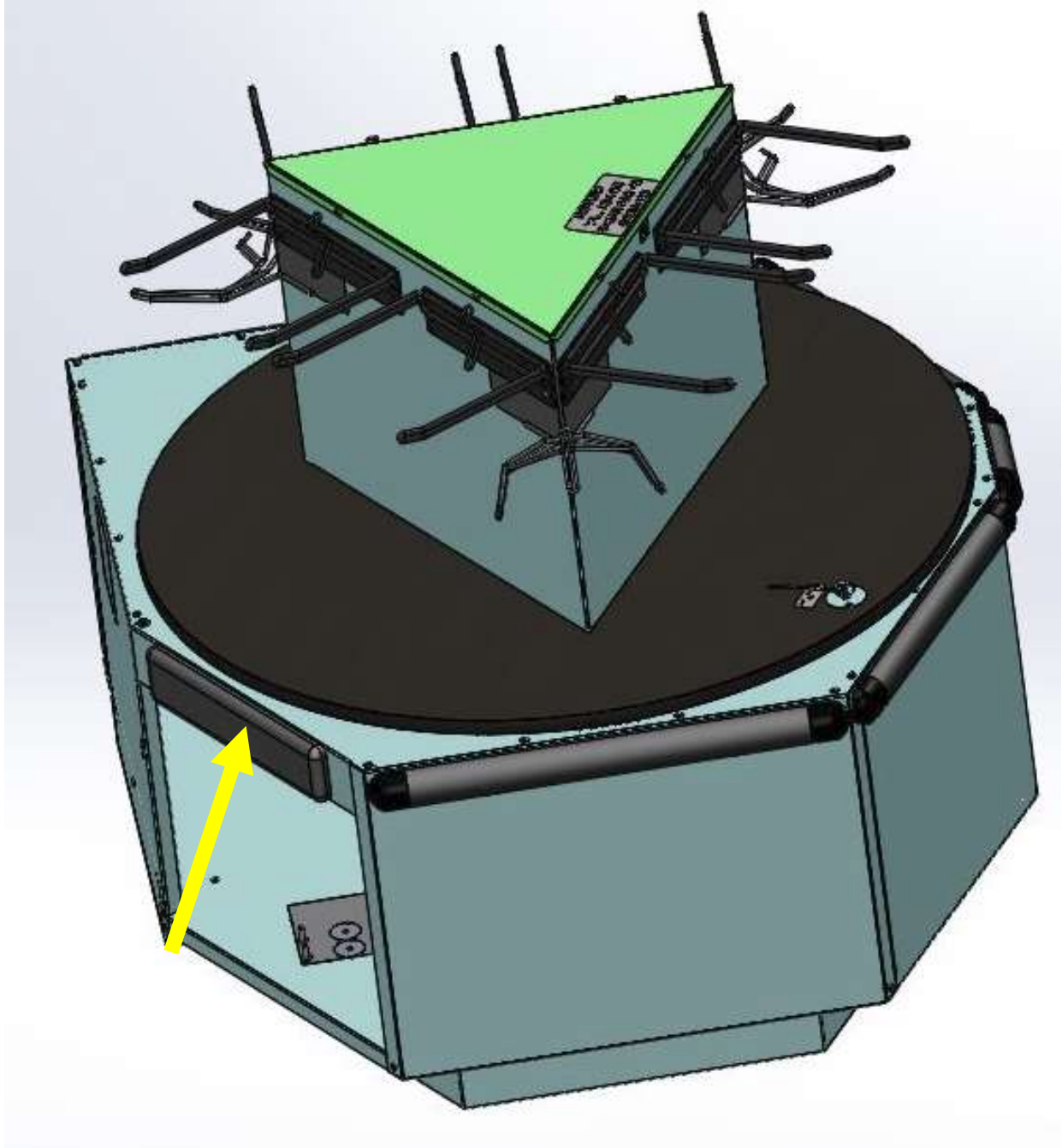




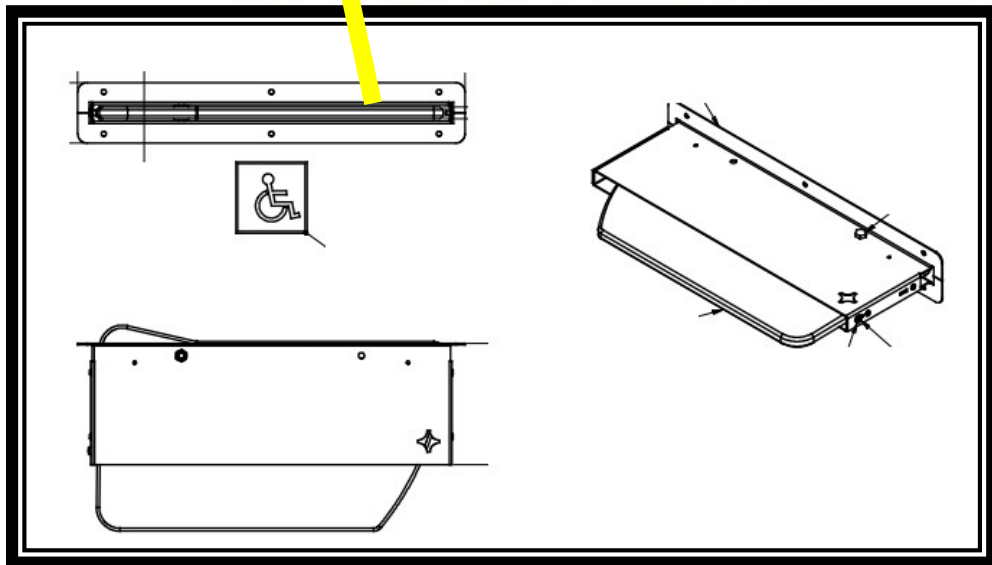
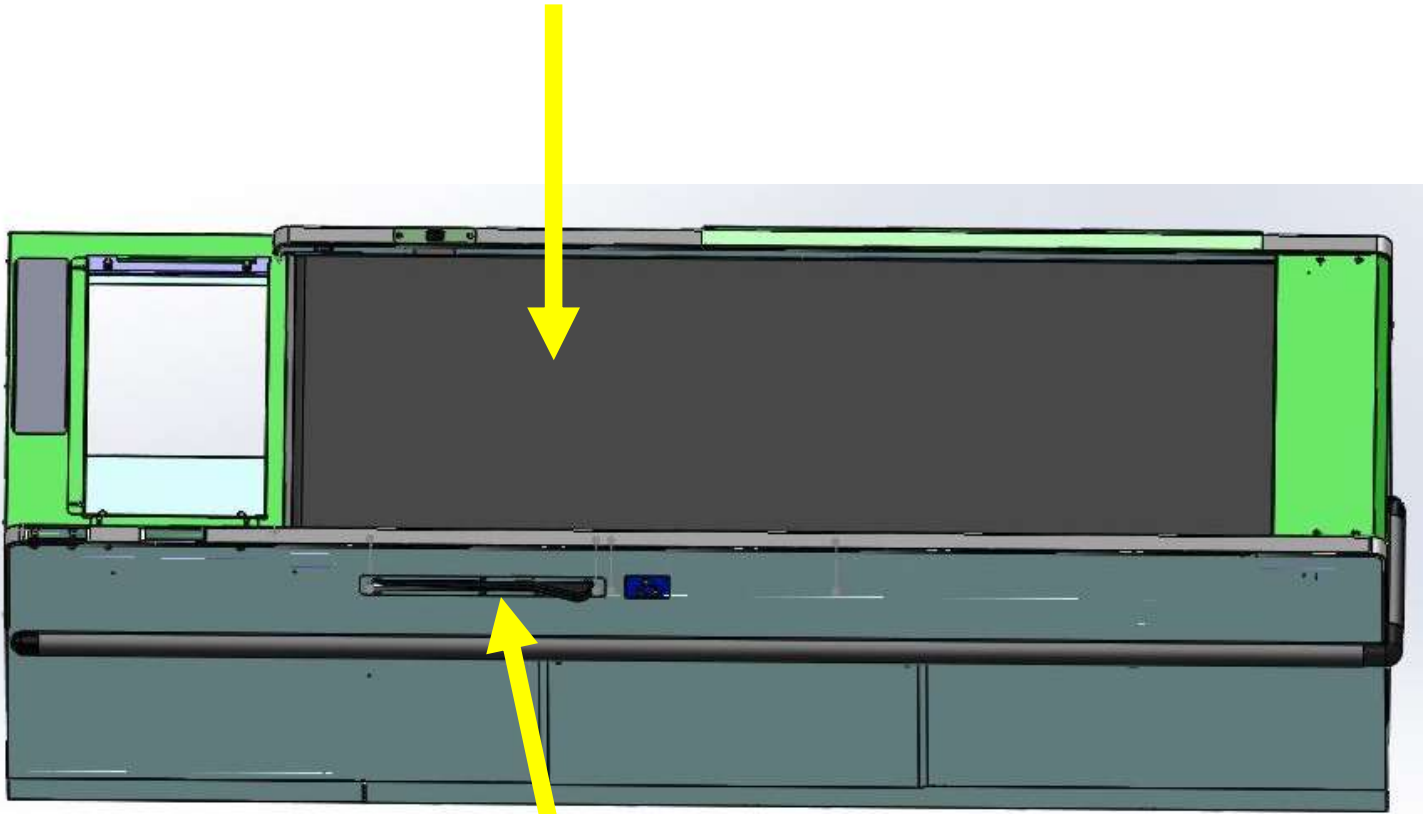
Carousel 'Stop' Pins for Rear Carousel  
Article # 100020590  
Pan Oston # 83598



Lean Pad for Rear Carousel  
Article # 100020807  
Pan Oston # BM-137213

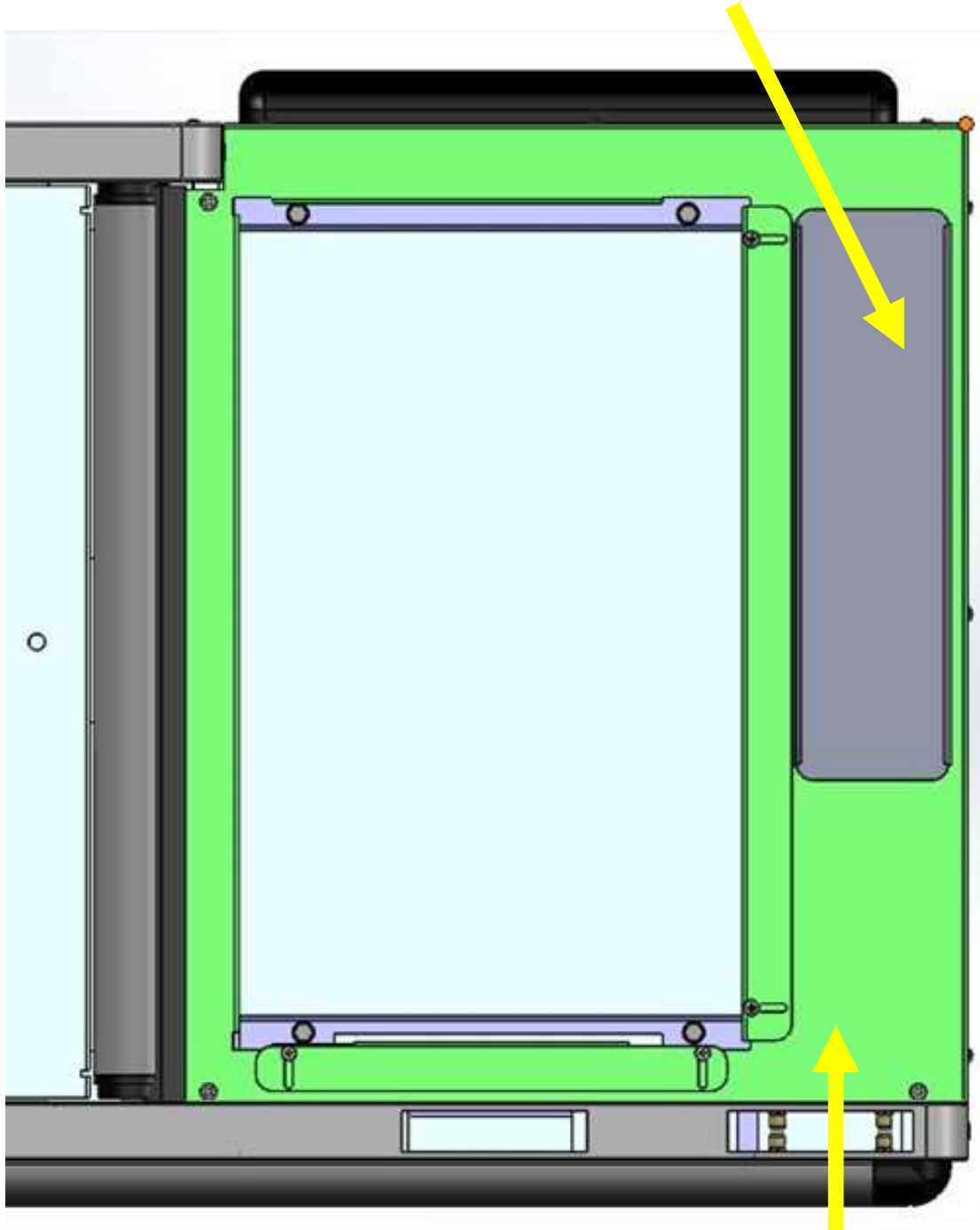


Blue 8' Conveyor Older Style Design  
Belt Article # 100660266  
Pan Oston # 601-201



ADA Check Shelf Kit  
Article # 100519249  
Pan Oston # BM-129237-SRV\_18441

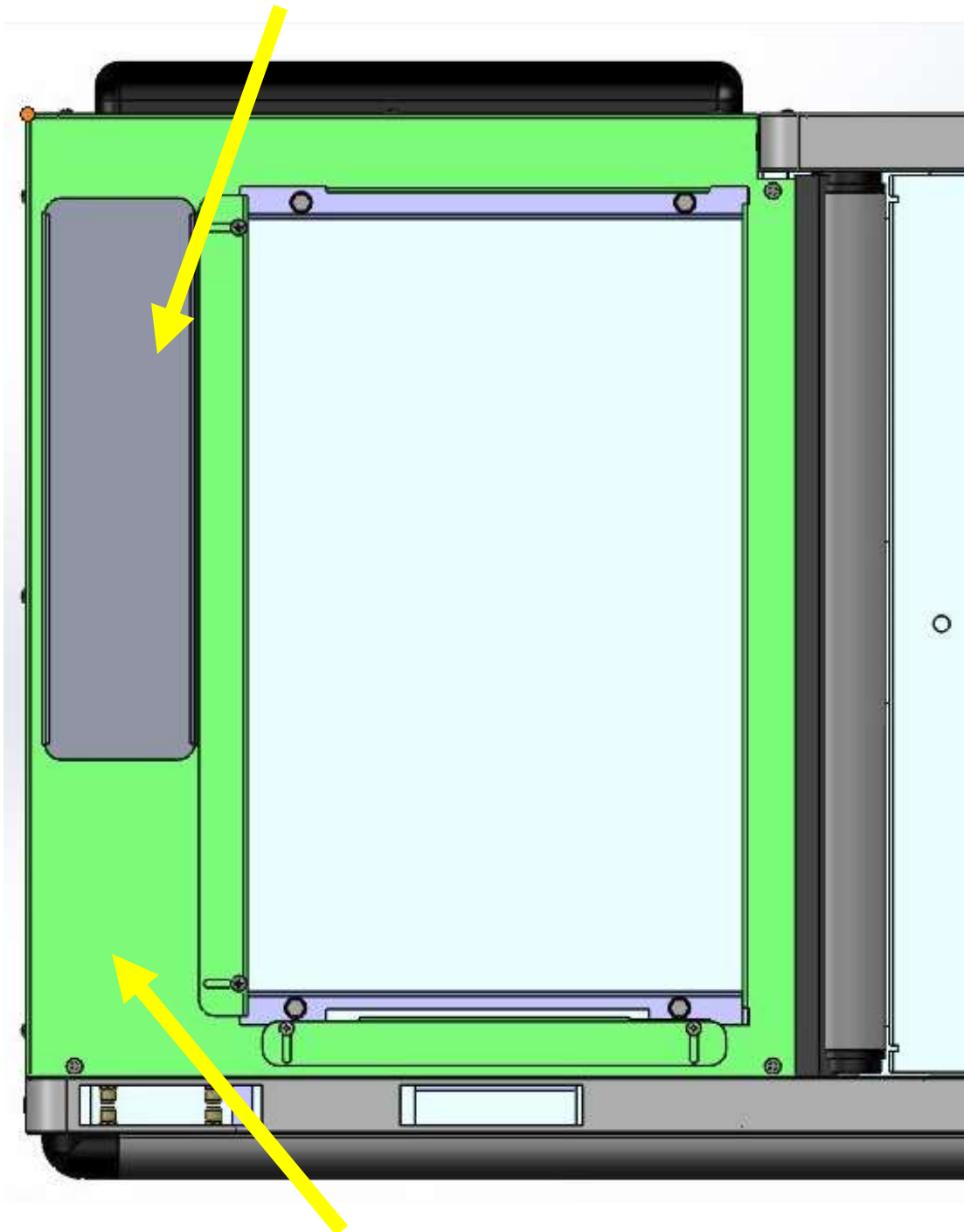
Blue Left Handed Conveyor Older Style Design  
Sensormatic Filler Article # 100017367  
Pan Oston # 217046



Left Handed WM 7870/7875 NCR Scan Kit #N/A  
Pan Oston #BM-48161  
(Kit highlighted in green & comes with Sensormatic Filler)

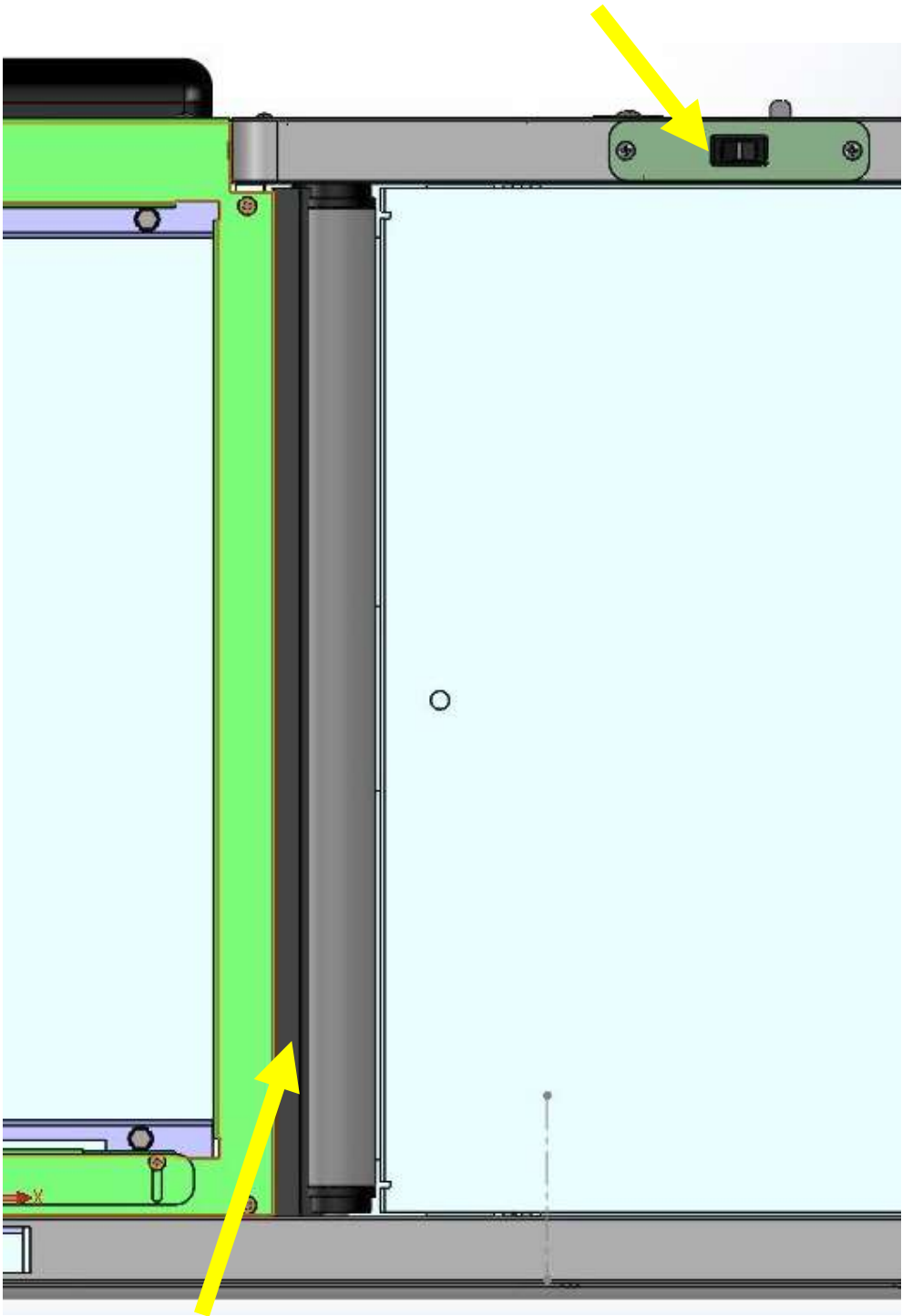


Blue Right Handed Conveyor Older Style Design  
Sensormatic Filler Article # 100017367  
Pan Oston # 217046



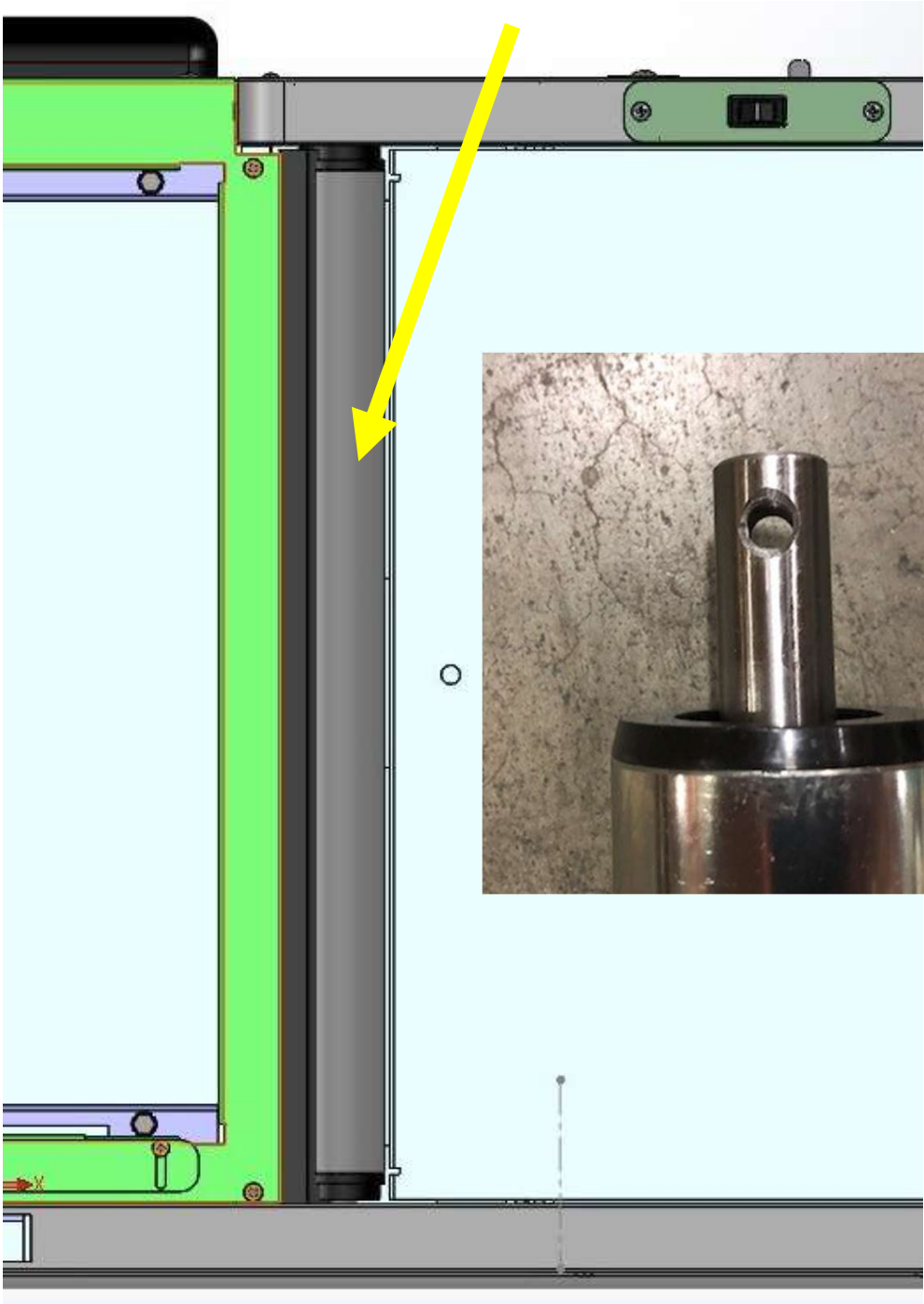
Right Handed WM 7870/7875 NCR Scan Kit #100585772  
Pan Oston #BM-48161-R  
(Kit highlighted in green & comes with Sensormatic Filler)

Blue Conveyor Older Style Design  
On/Off Switch Article #100532613  
Pan Oston # 603-13



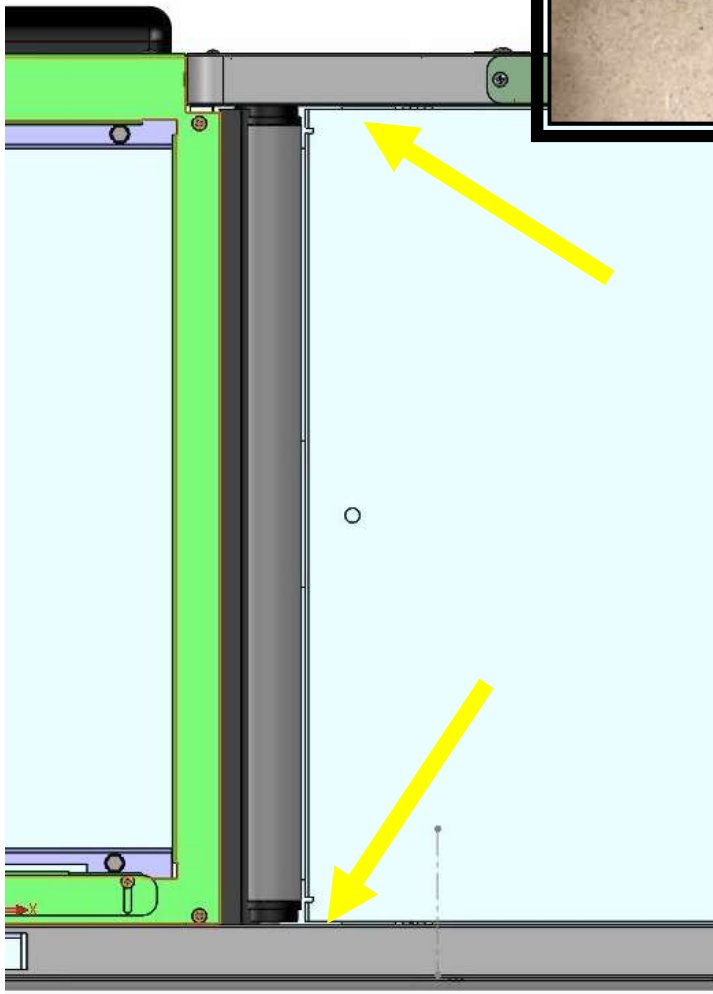
Plastic Safety Edge Article #100062540  
Pan Oston #14014-22

Blue Conveyor Older Style Design  
22" Idler Roller Article #N/A  
Pan Oston # 49205-550

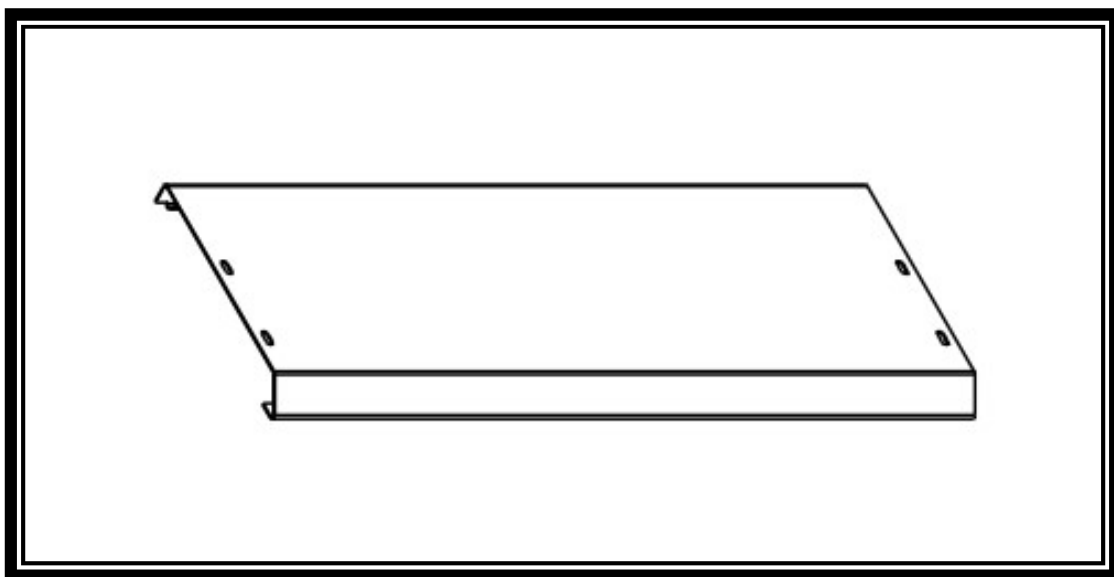
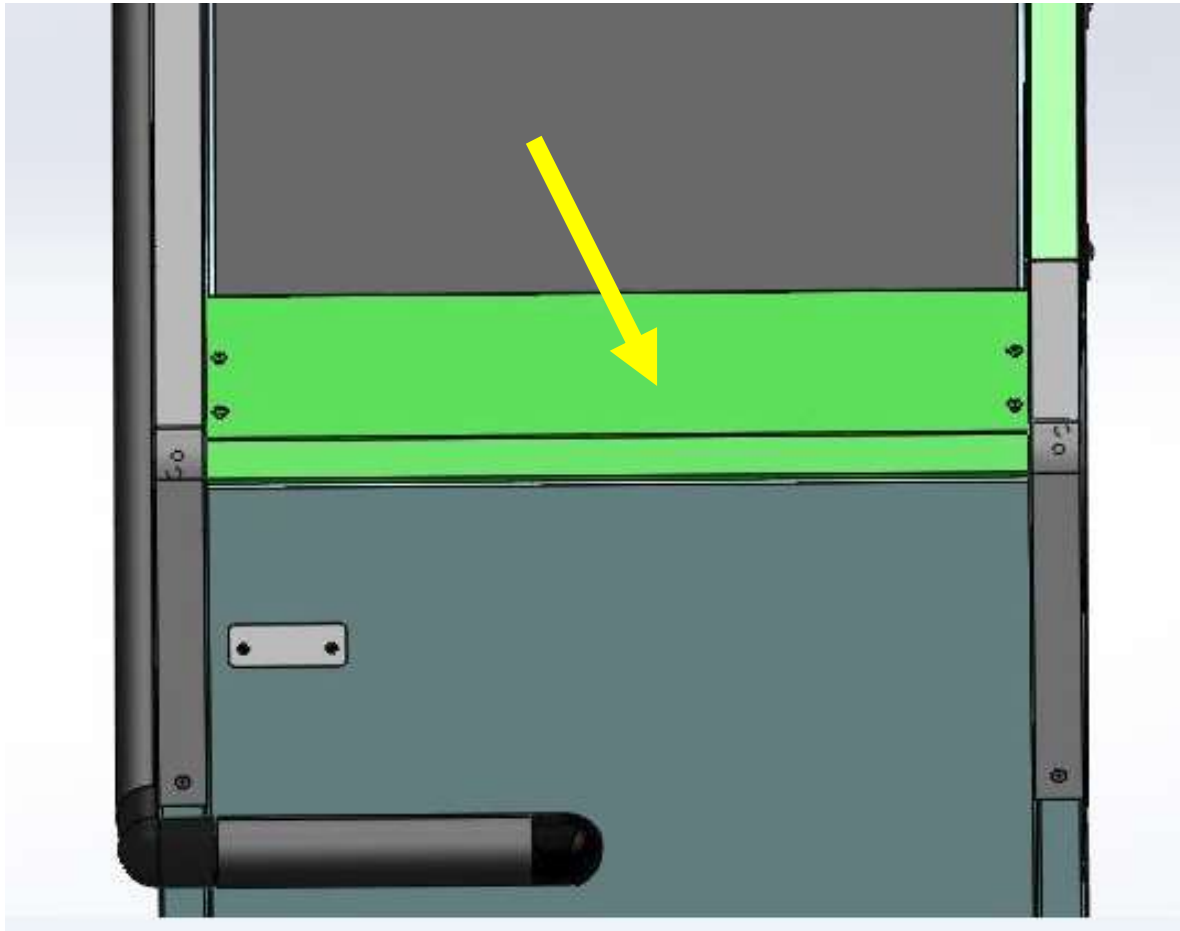


Blue Conveyor Older Style Design  
Photo Eye  
2 Wire Source Article #100523360  
Pan Oston # 83268

4 Wire Receiver Article #100523361  
Pan Oston # 83269



Blue Conveyor Older Style Design  
Stainless Steel Nose Cover Article #100524559  
Pan Oston # 217100



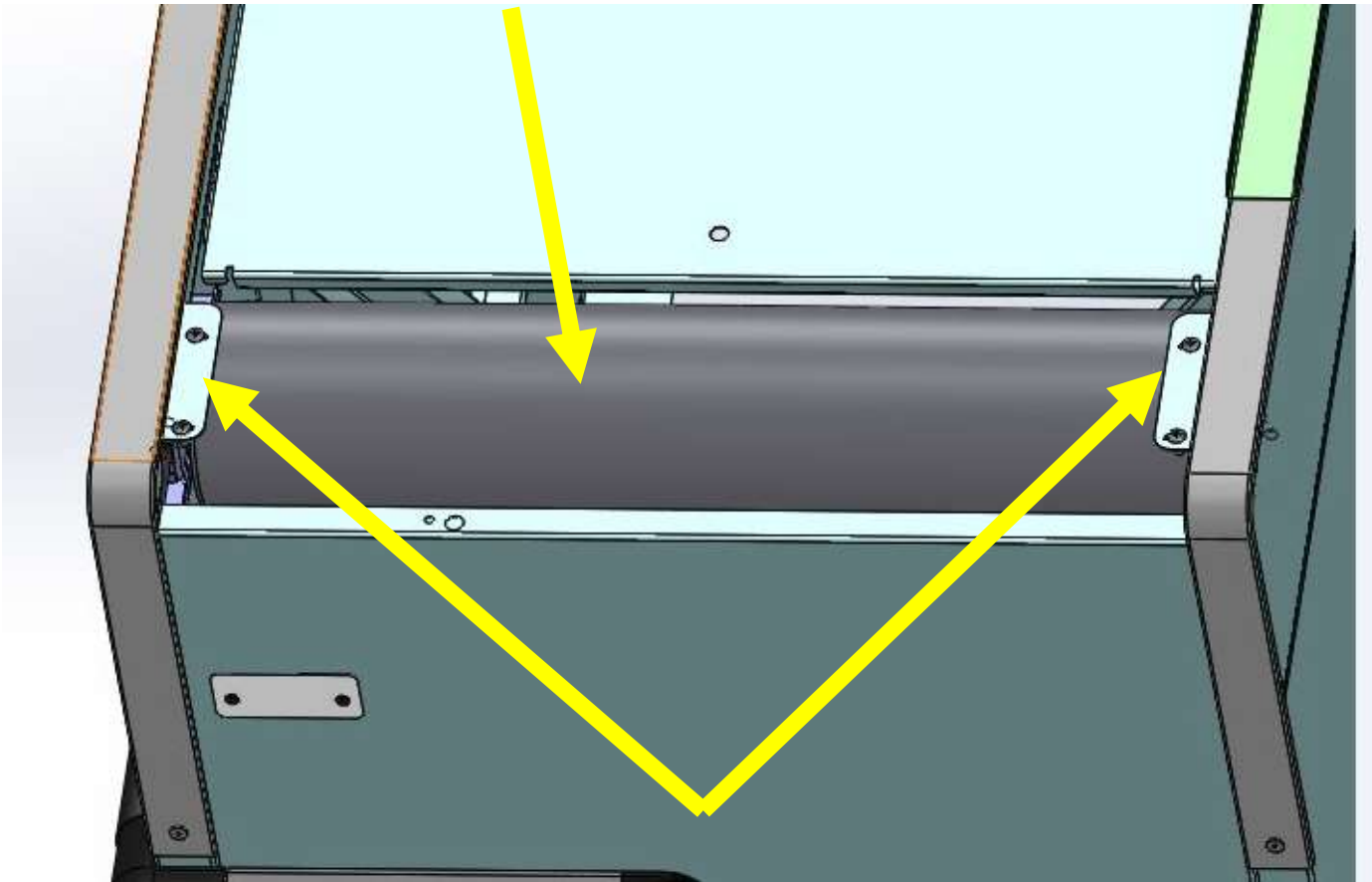


# Blue Conveyor Older Style Design

22" Motor Article #100543905

Pan Oston # 652-550

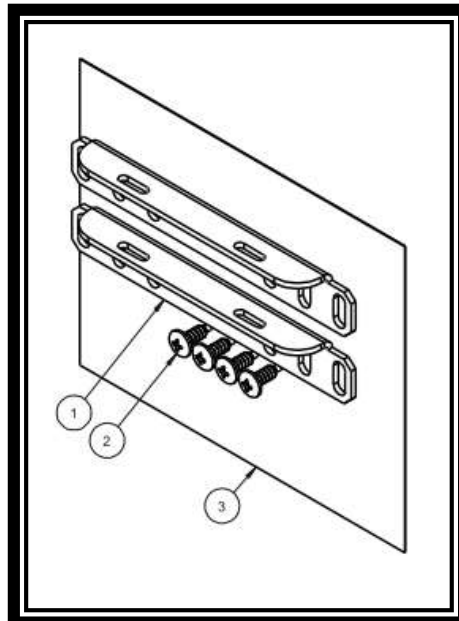
(Note the belt has been hidden for reference)



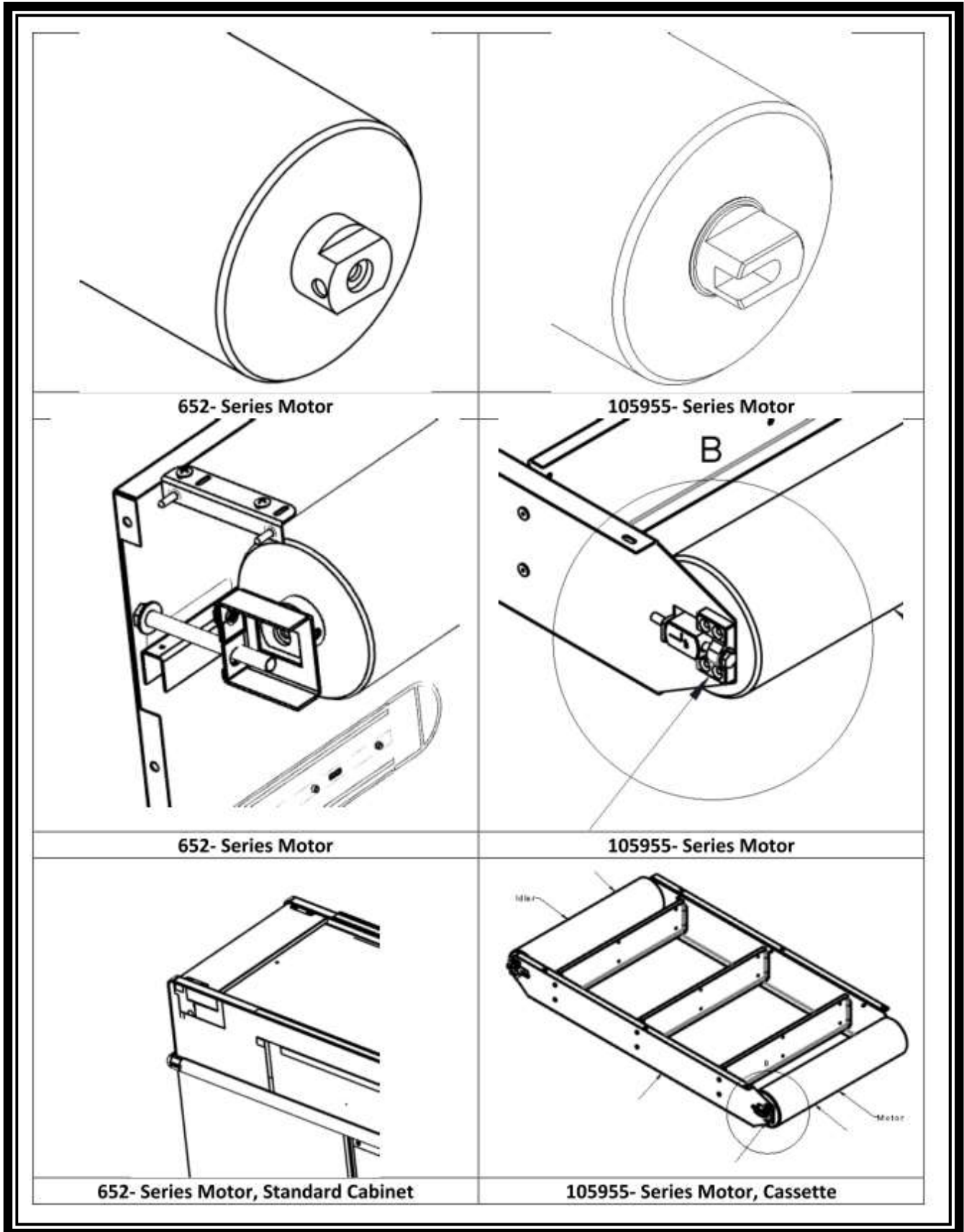
Nose Cover Angle Kit #100621190

Pan Oston # BM-135385-SRV

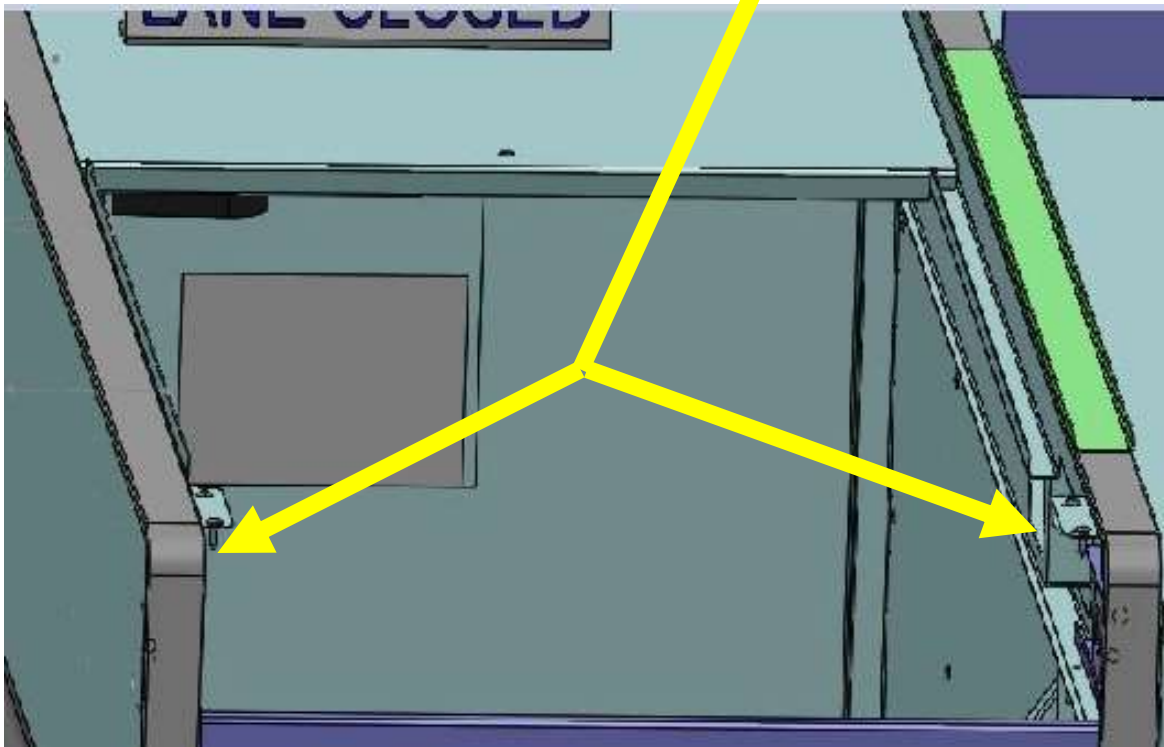
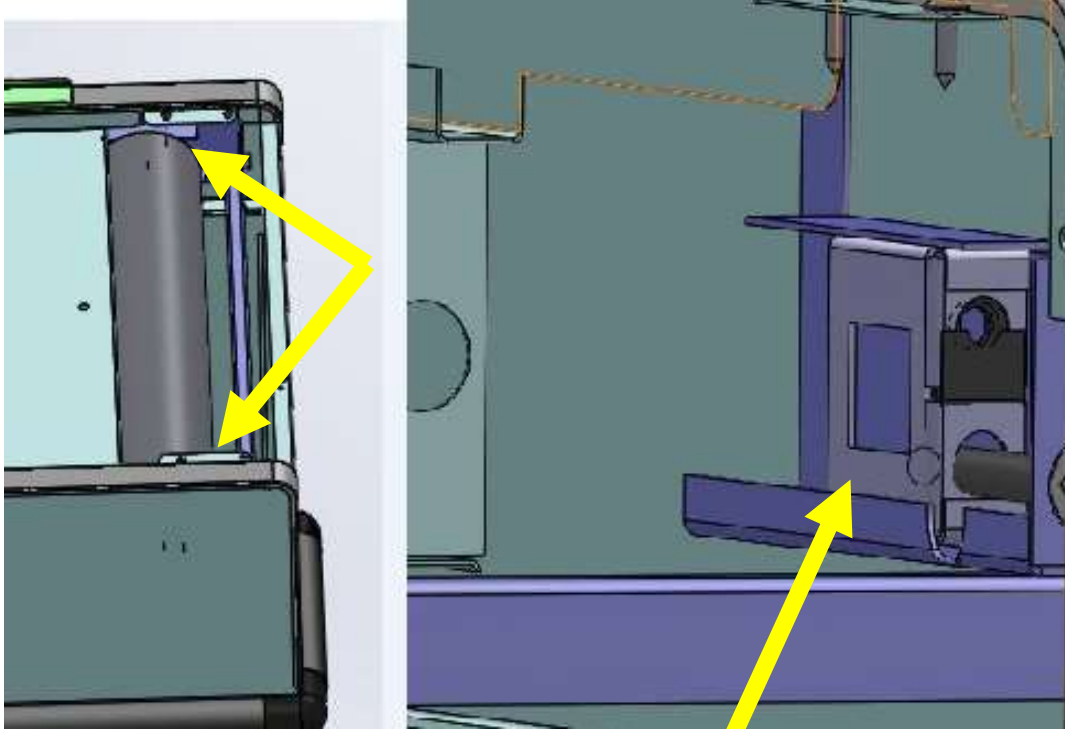
(Comes with two angles and screws)



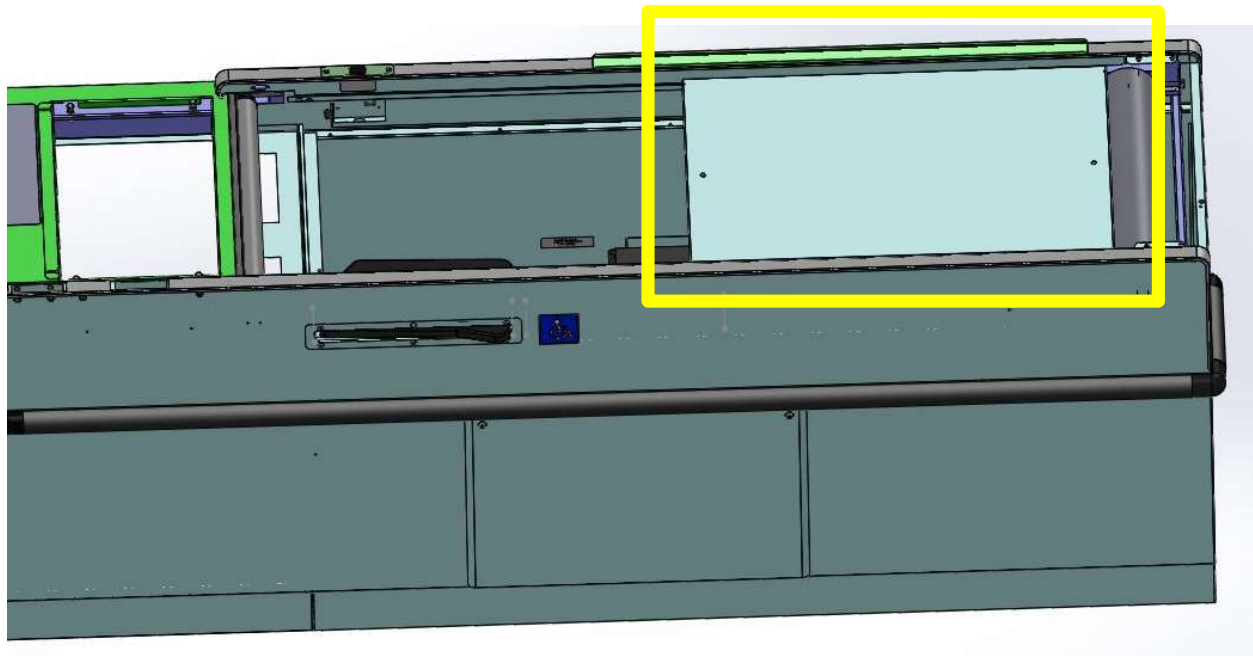
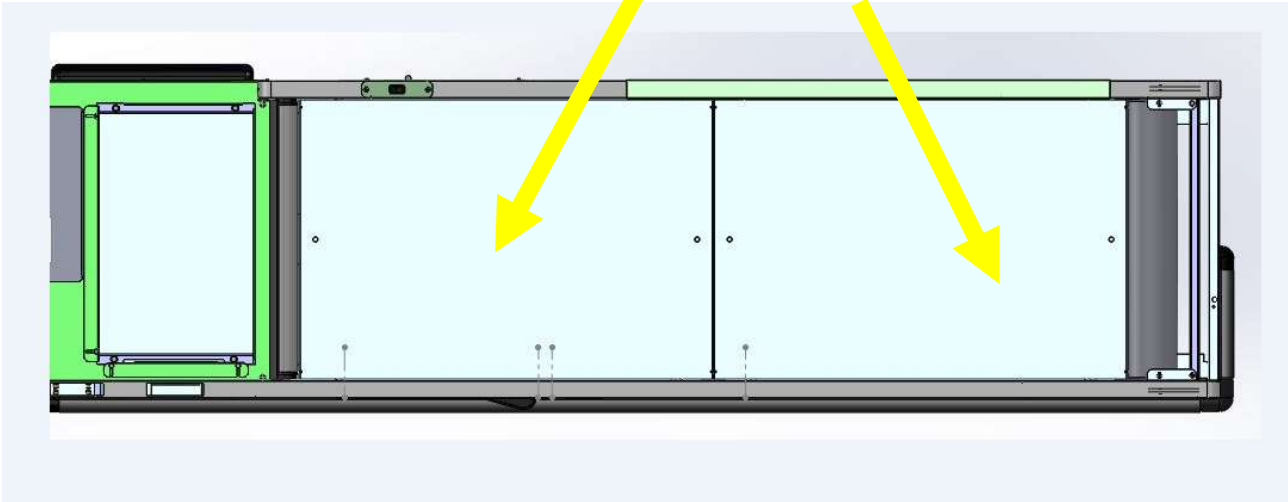
# Older (652) Style Motor vs Cassette (105995) Style Motor



Blue Conveyor Older Style Design  
Motor Bracket Assembly Article #100643573  
Pan Oston # BM-9304  
(Note items have been hidden for visual)  
(Two are needed per motor)



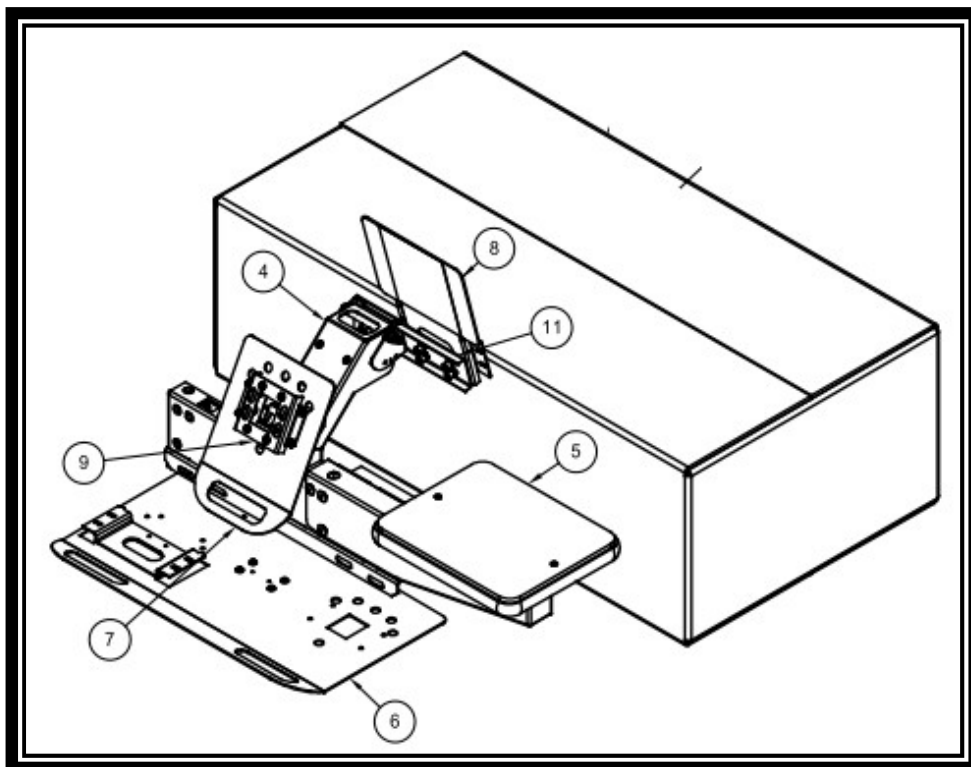
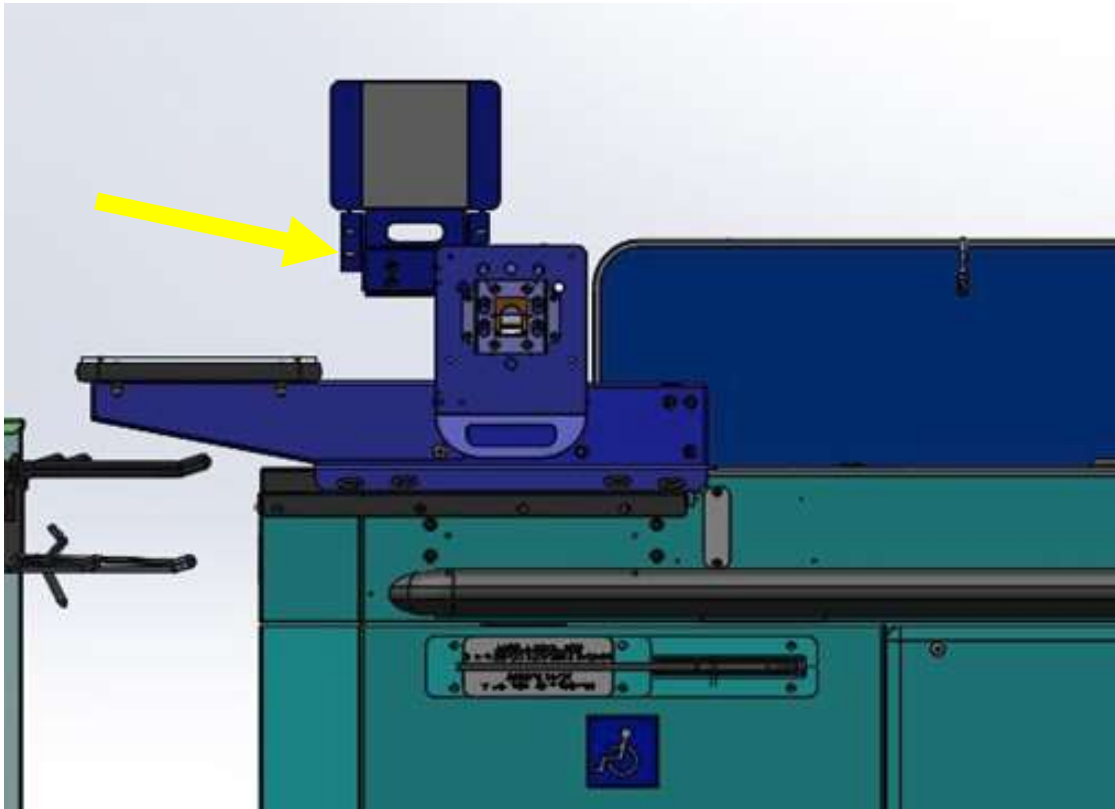
Blue 8' Conveyor Older Style Design  
Belt Support Tray Article #100583117  
Pan Oston # 217099\_18441  
(Note items have been hidden for visual)  
(Two are needed per lane)



# Wal-Mart Universal Accessory Stand Kit

Article #100590296

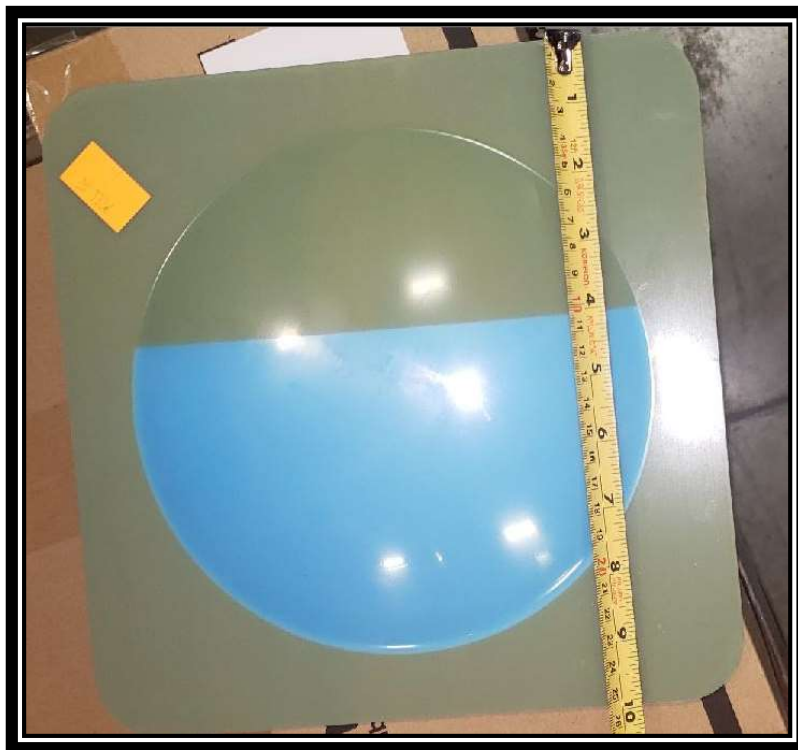
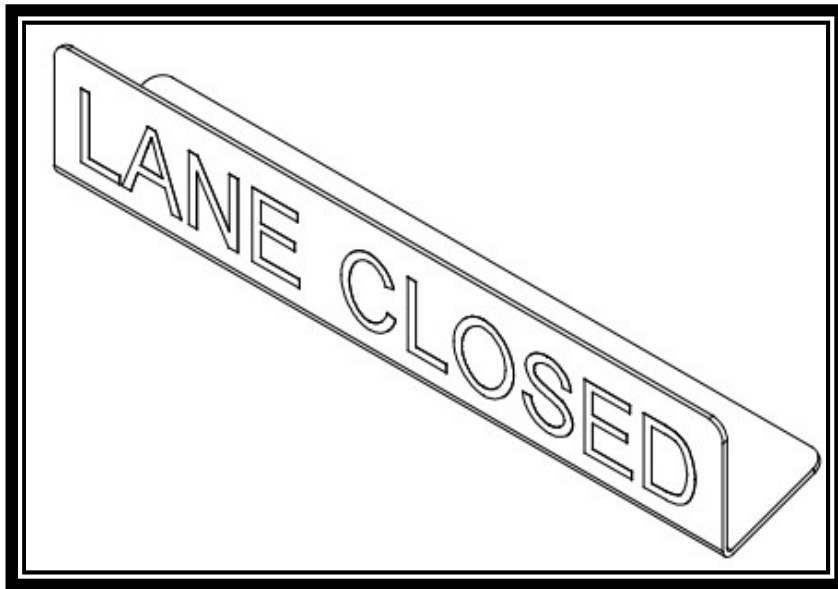
Pan Oston # BM-132895-KIT



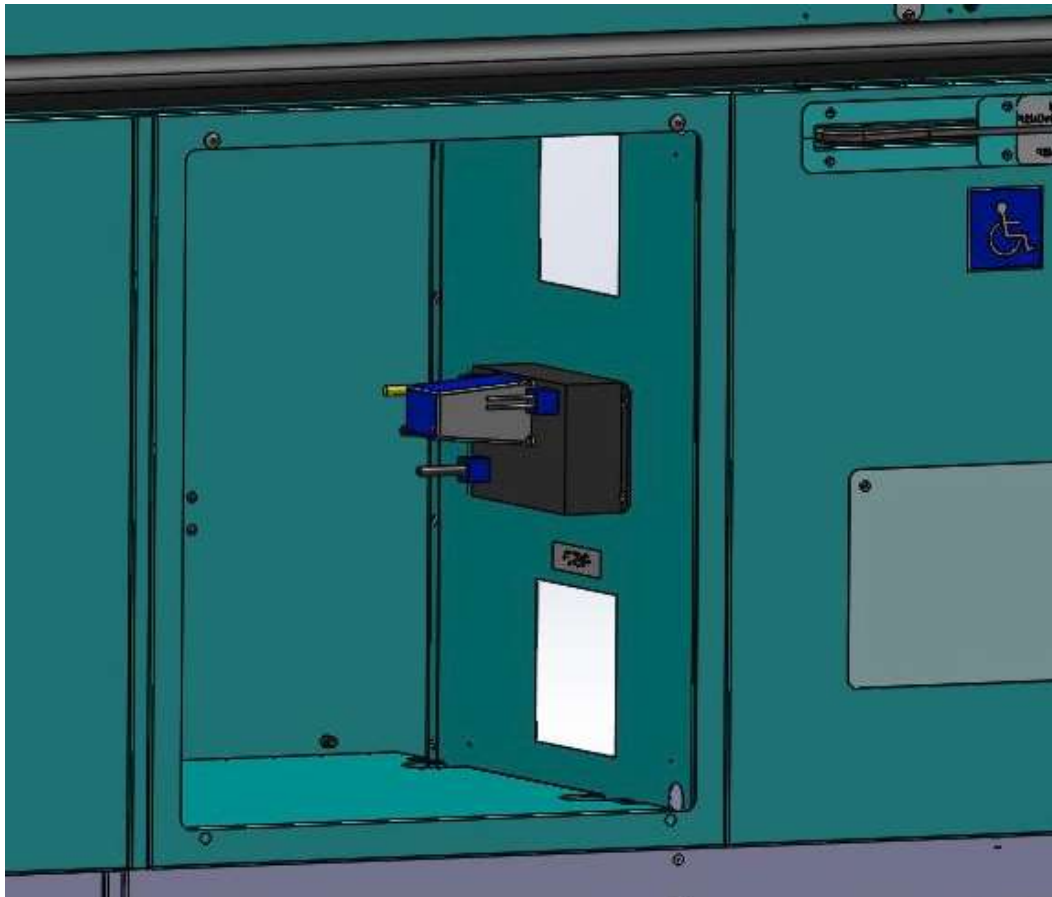
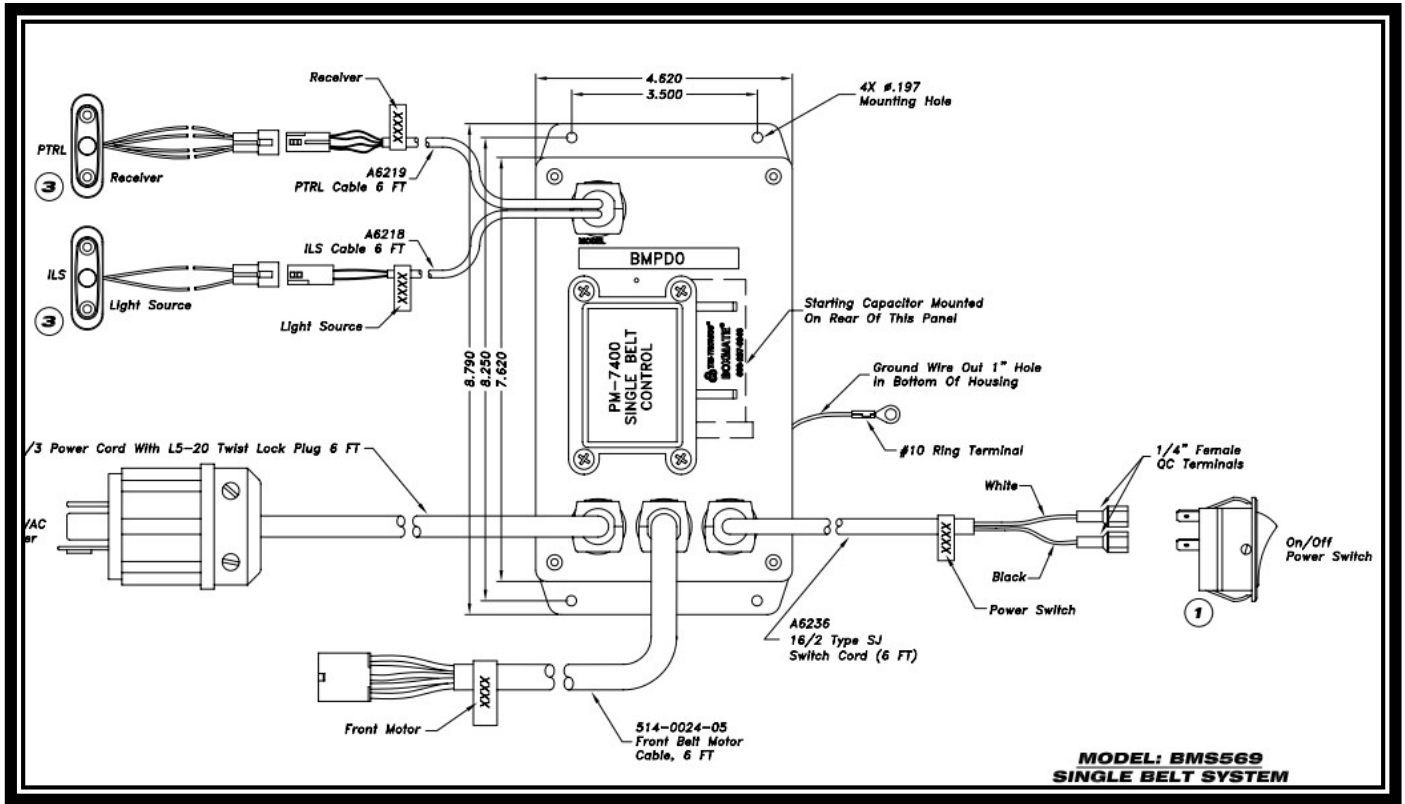


Lane Closed Sign Article #100020804  
Pan Oston # 19851

Bottom of Basket Security Mirror  
Article # N/A  
Pan Oston # 235360



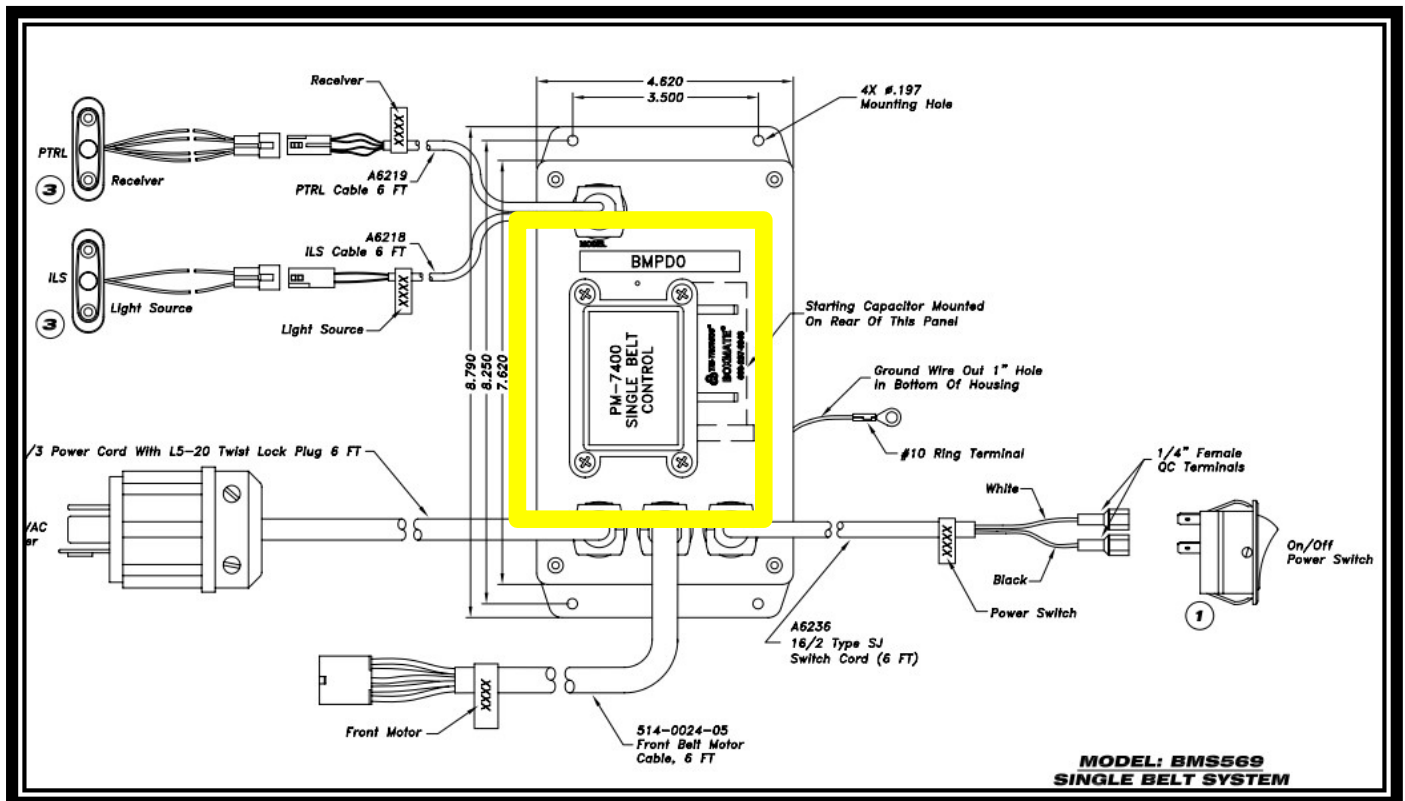
Wal-Mart Electrical Package for Entire Conveyor  
 Article #100666660  
 Pan Oston # 105923  
 (Access Panel has been removed for reference)



# PM-7400 Control Module for Electrical Package

Article #100666661

Pan Oston # 104373



Capacitor 15MF  
Article #100666662  
Pan Oston # 609-15



Wal-Mart Power Cord for Power Pole  
(Pigtail connection)  
Article #100583829  
Pan Oston # 57476





# 2" Rigid Bumper Components

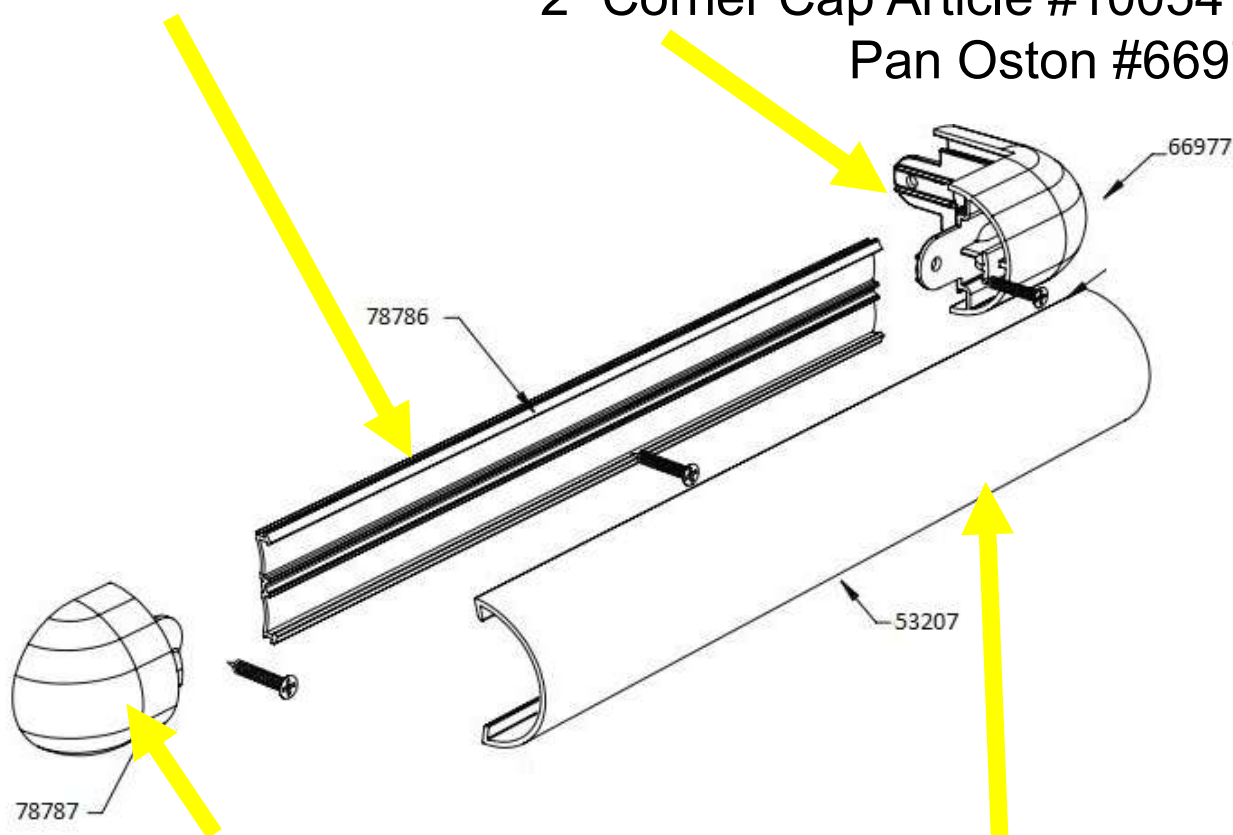
12' Roll of Bumper Mounting Track

Article #100509319

Pan Oston # 78786

2" Corner Cap Article #100541374

Pan Oston #66977-B



2" End Cap Article #100509321

Pan Oston # 78787-H

12' Stick of Bumper Article #100521761

Pan Oston # 53207

