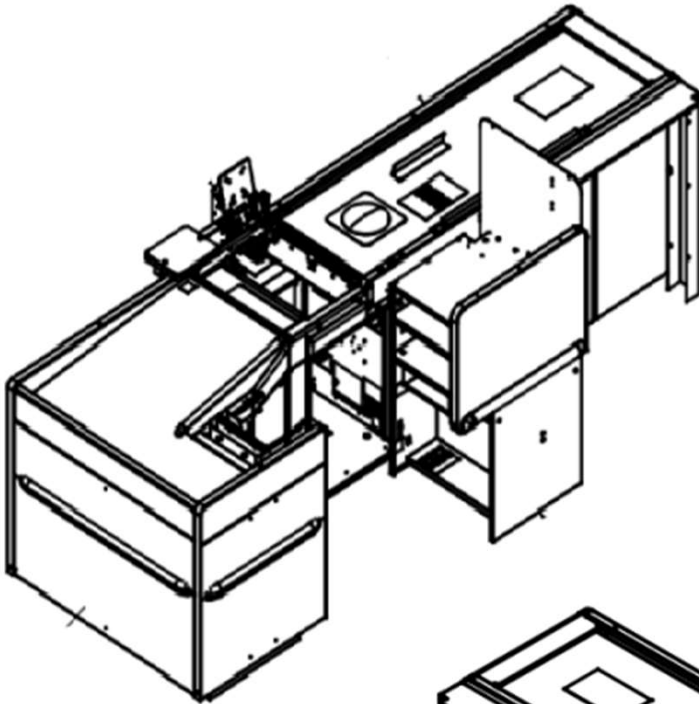
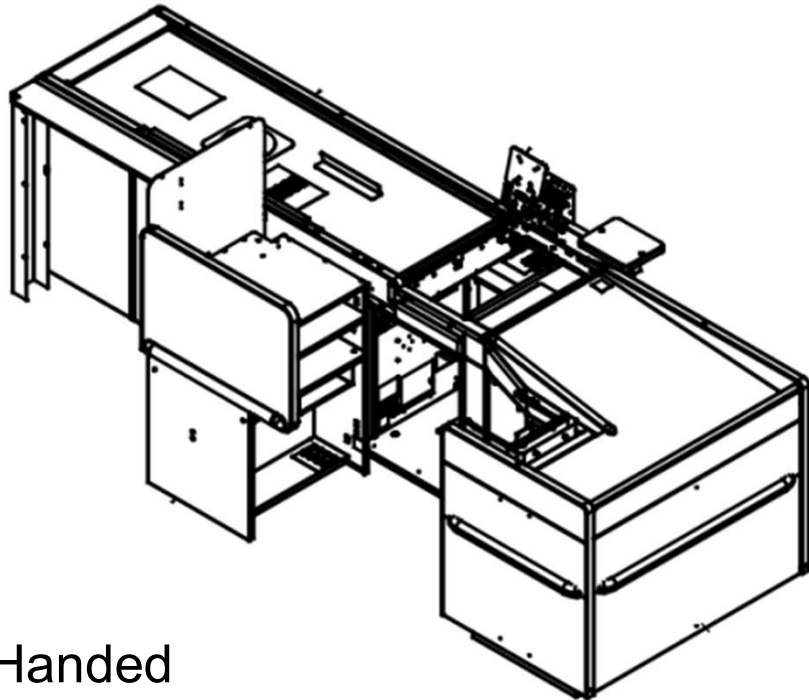


Wal-Mart

Checklane Replacement Parts Identification for the Scan and Pass Lanes



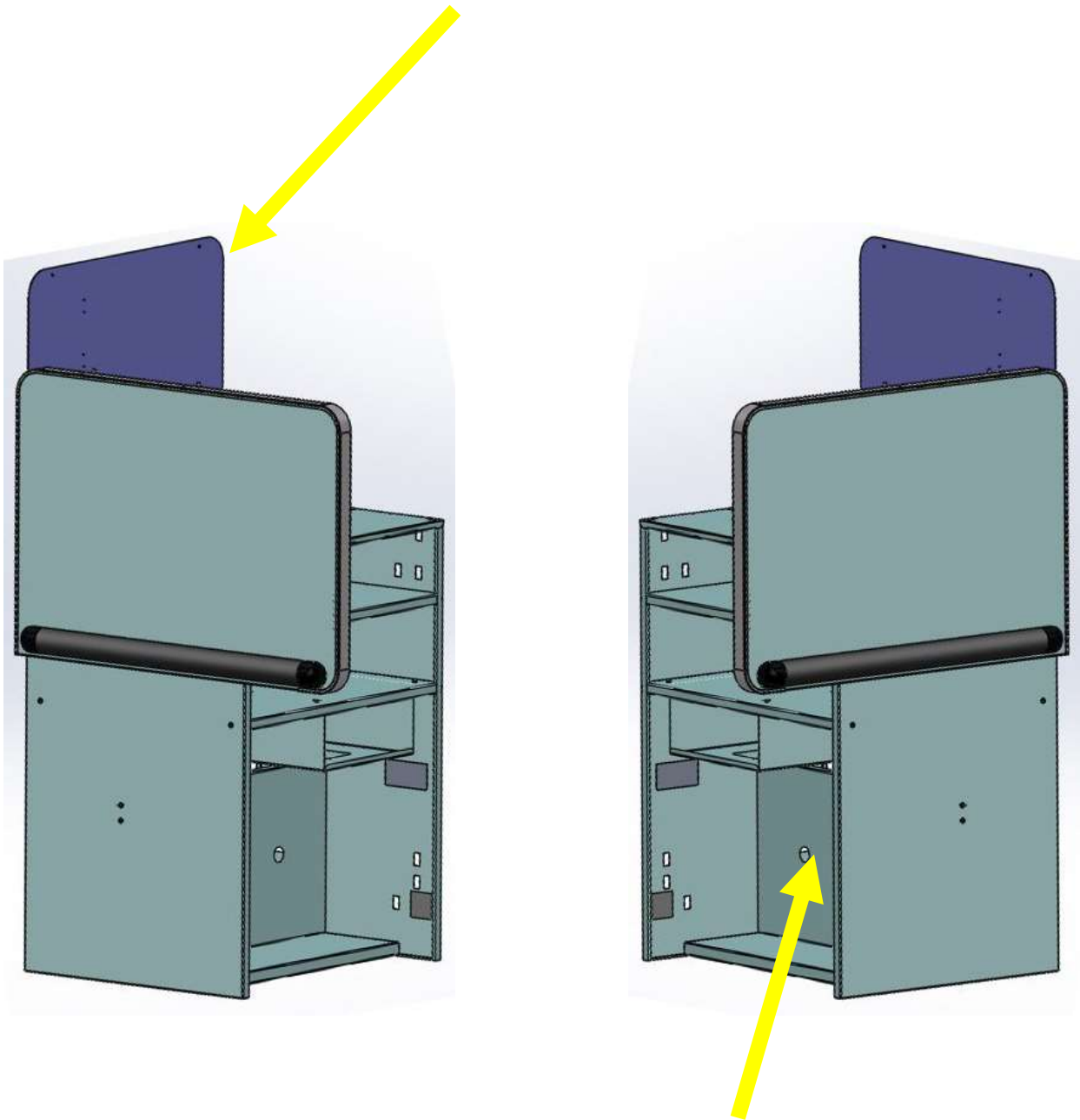
Left Handed
M-30734-6/8-LH



Right Handed
M-30734-6/8-RH

Blue Cash Stand w 2" Bumper

Pan Oston # BM-138585-RH_104270 SAP#100020602



Blue Cash Stand w 2" Bumper

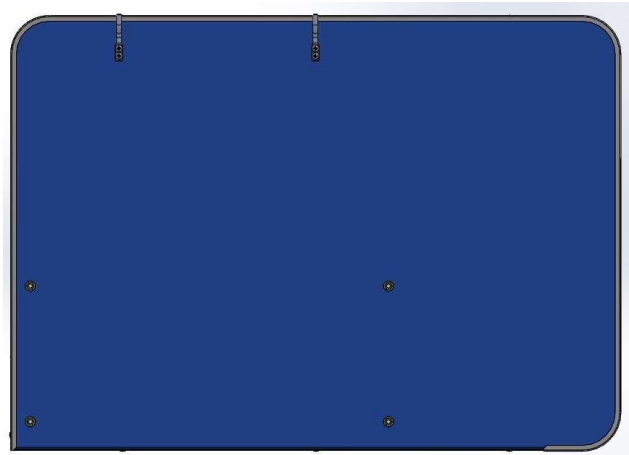
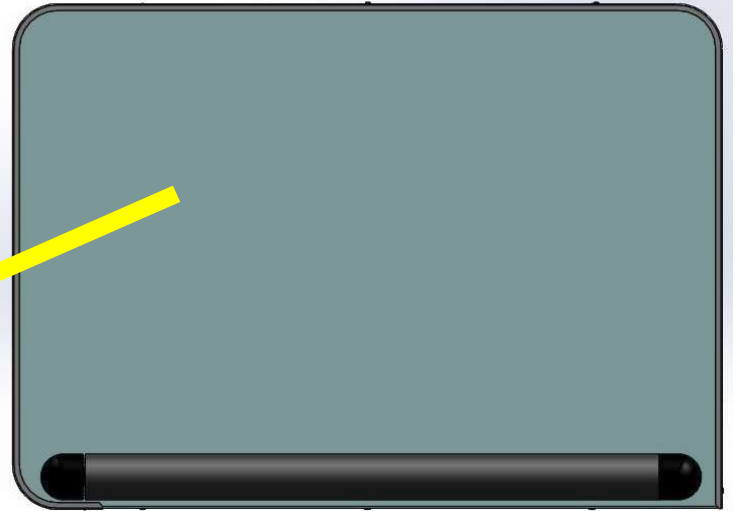
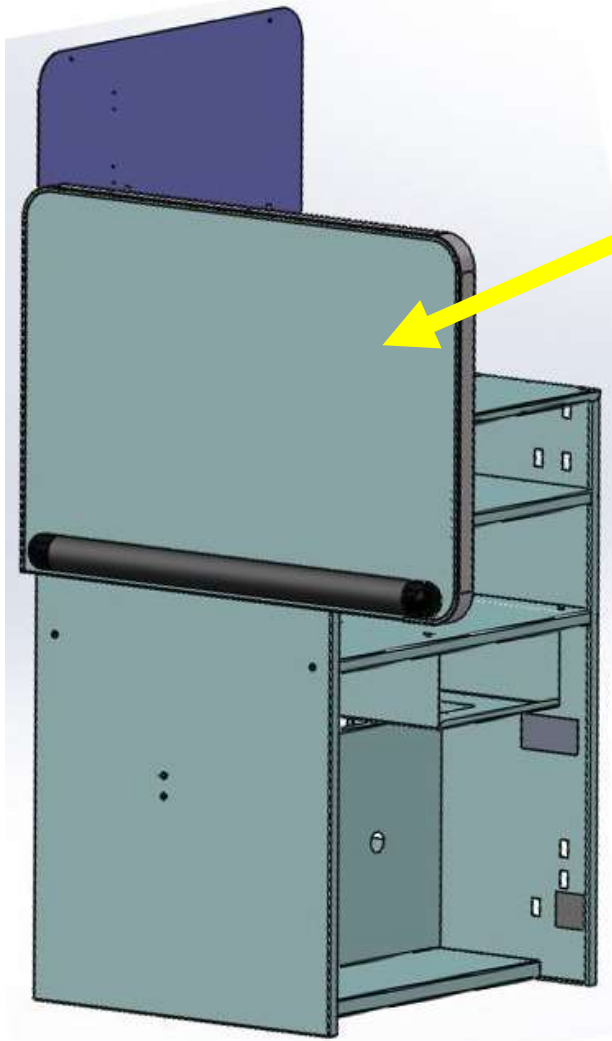
Pan Oston # BM-138585-LH_104270 SAP#100020601

Blue Cash Stand Security Shield

Pan Oston # BM-140560-RH_104270 SAP#100519117

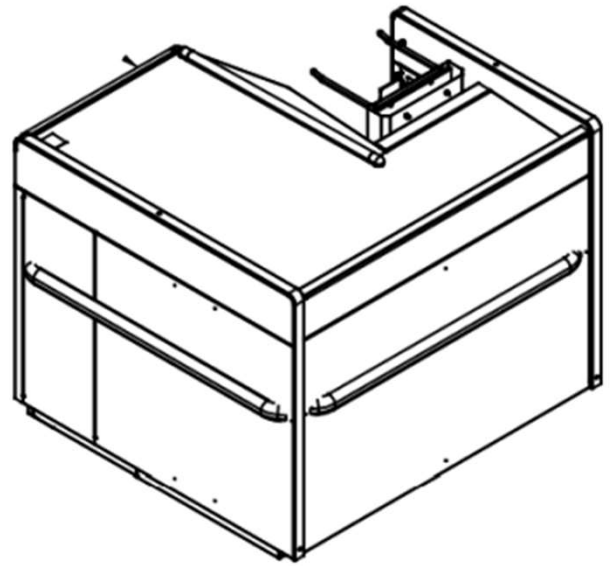
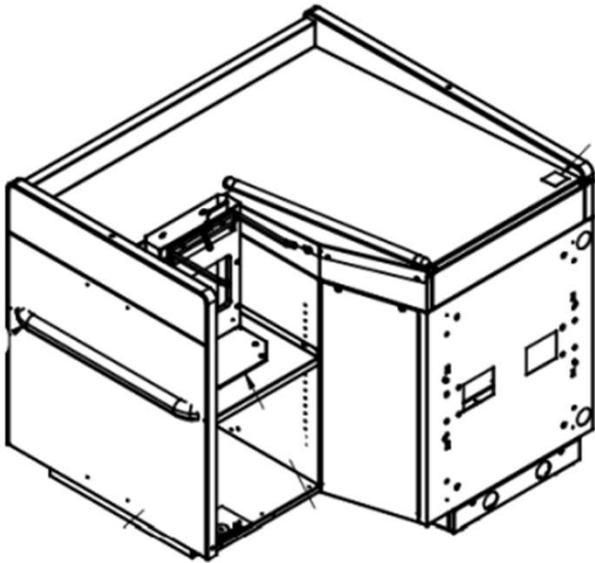
Pan Oston # BM-140560-LH_104270 SAP#100520160

Customer Side View

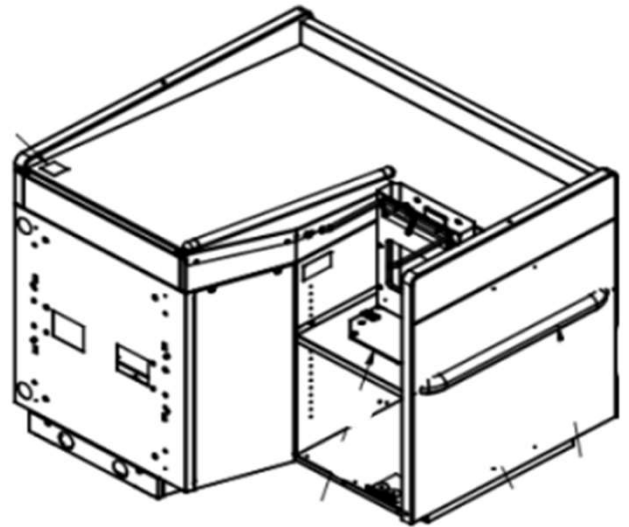
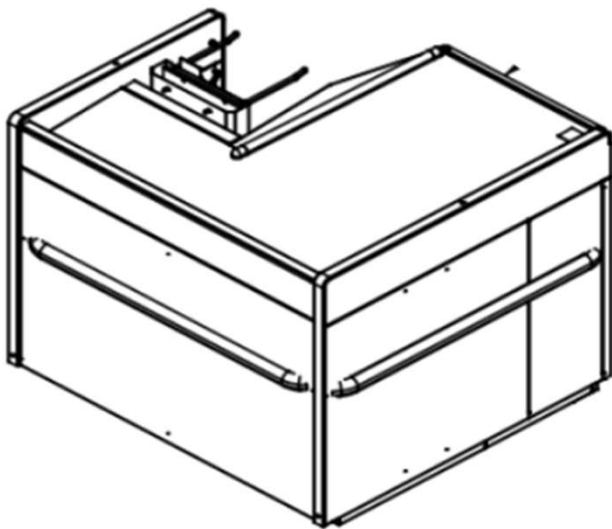


Cashier Side View

Left Handed Rear Cabinet
Article # 100638042
Pan Oston # BM-138587-LH_104270



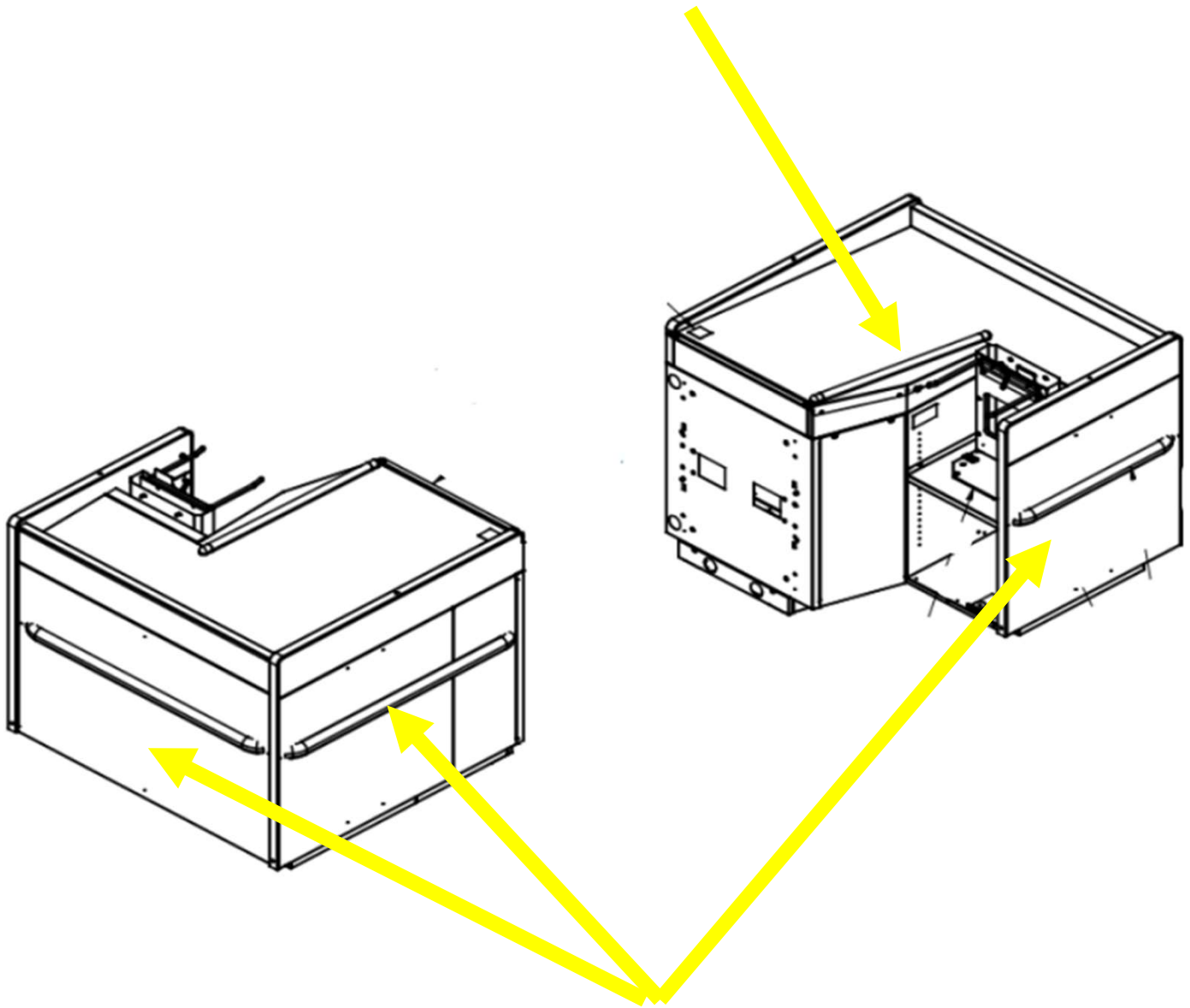
Right Handed Rear Cabinet
Article # 100638043
Pan Oston # BM-138587-RH_104270



Bumper Kit for Top of Rear Cabinet

Article # N/A

Pan Oston # BM-137680-4



Bumper Kit for Side of Rear Cabinet

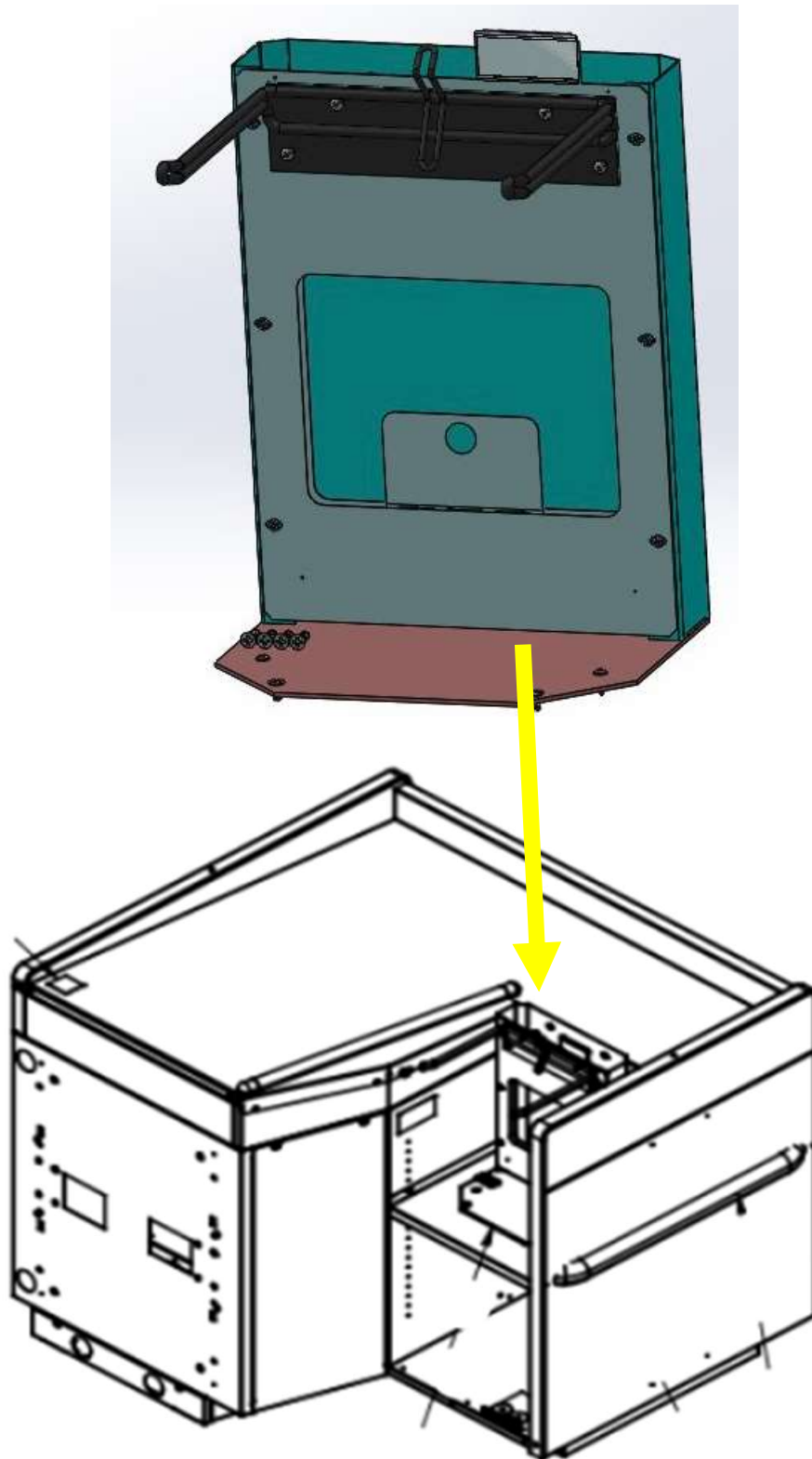
Article # N/A

Pan Oston # BM-137880

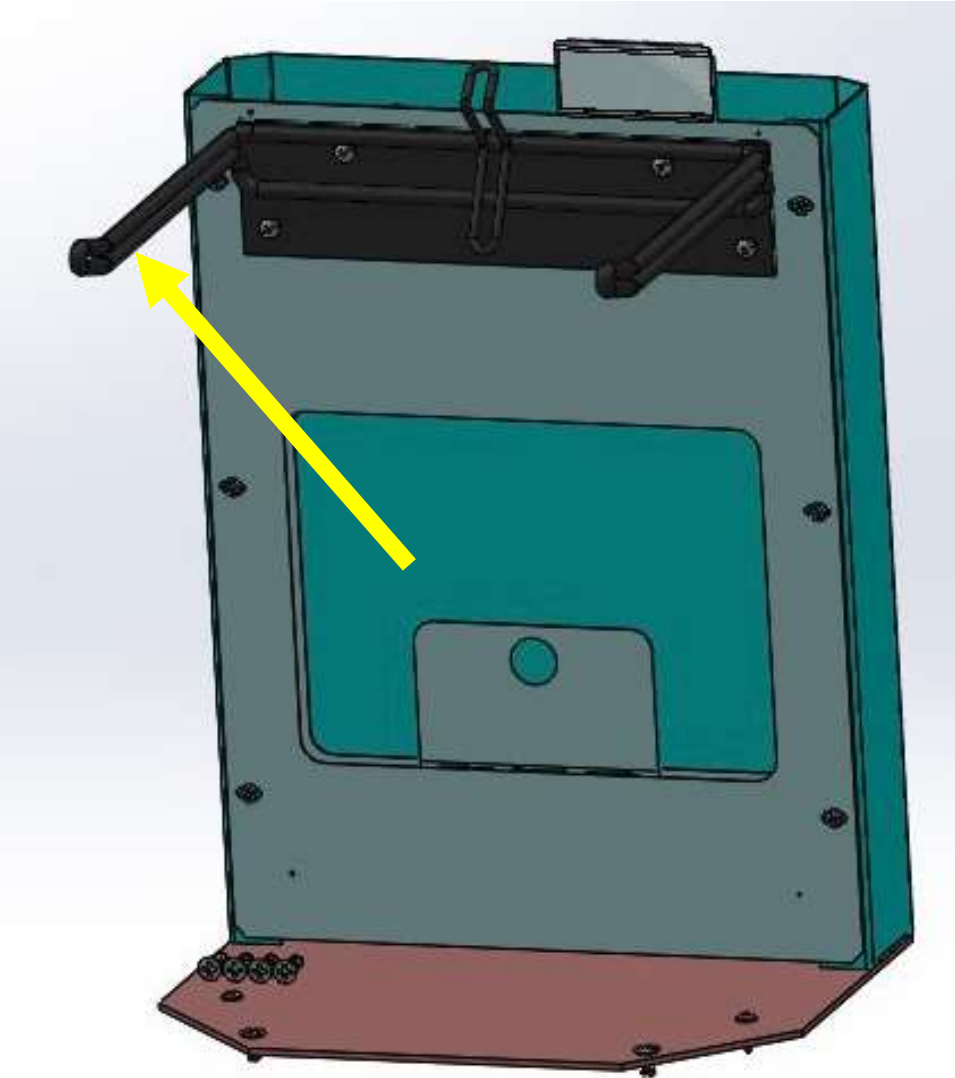
Paper Bag Rack Kit for Scan & Pass

Article # 100663497

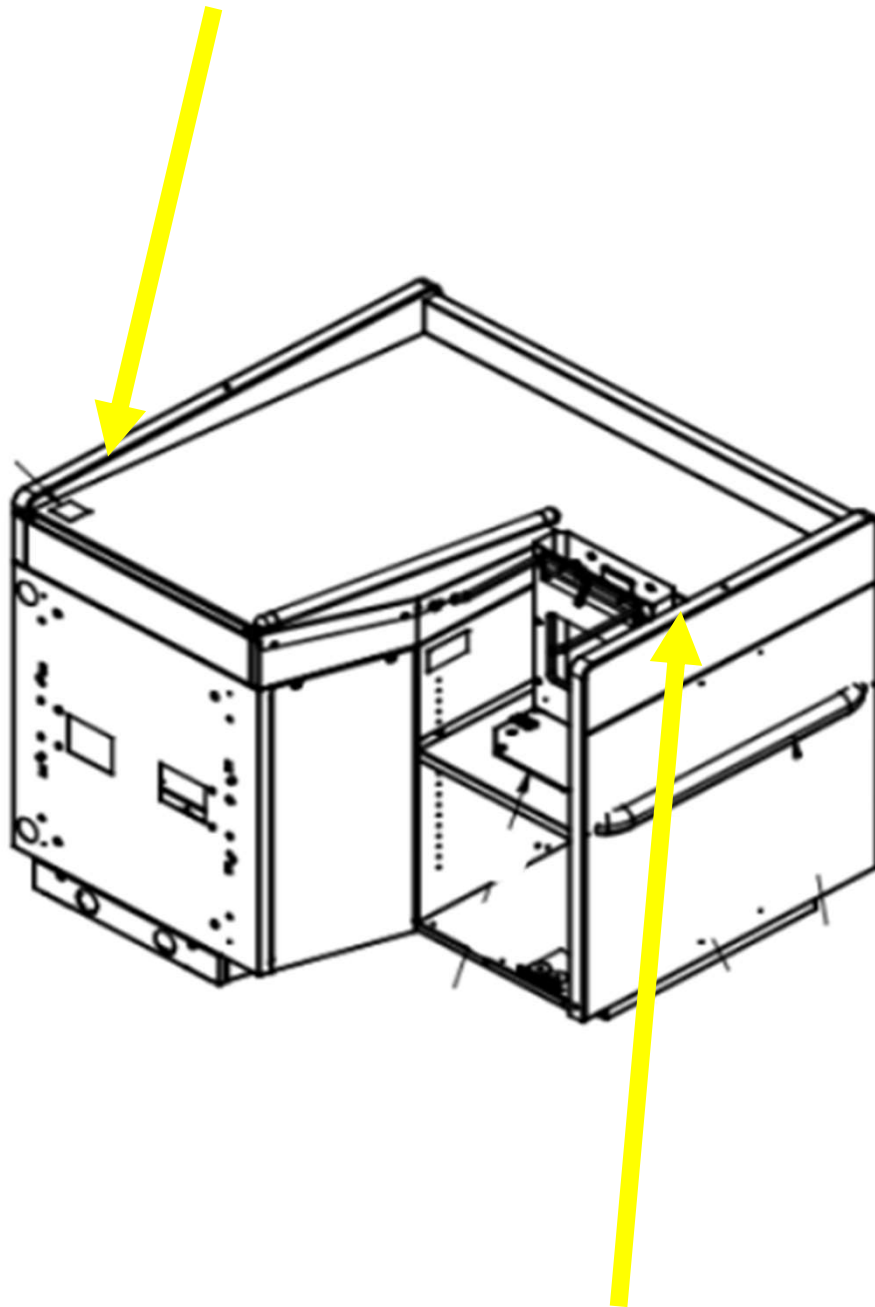
Pan Oston # BM-143050_18441



Bag Rack
Article # 100020575
Pan Oston # 46951-12



Top Trim w/o Cutout Piece for Scan & Pass
Article # N/A
Pan Oston # 244275



Top Trim Piece for Scan & Pass
Article # N/A
Pan Oston # 244276

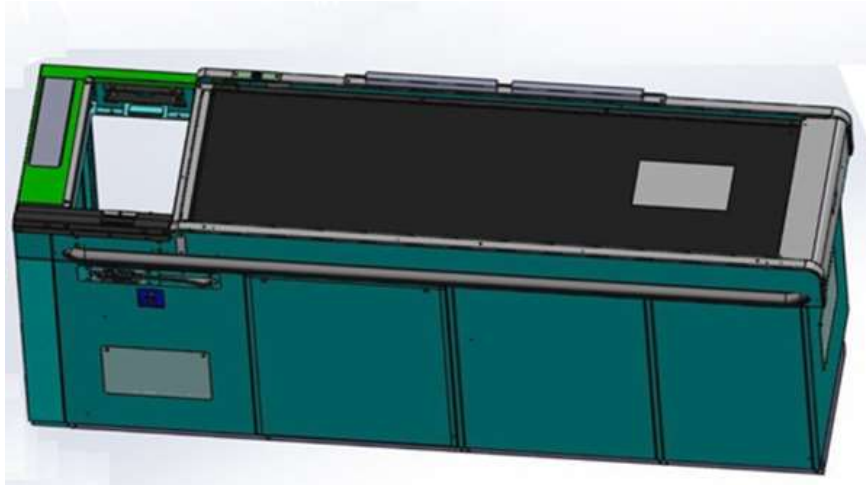
Right Handed Conveyor Cassette Design

Article # 100546332

Pan Oston # BM-138598-8-RH

Article # 100577475

Pan Oston # BM-138598-6-RH



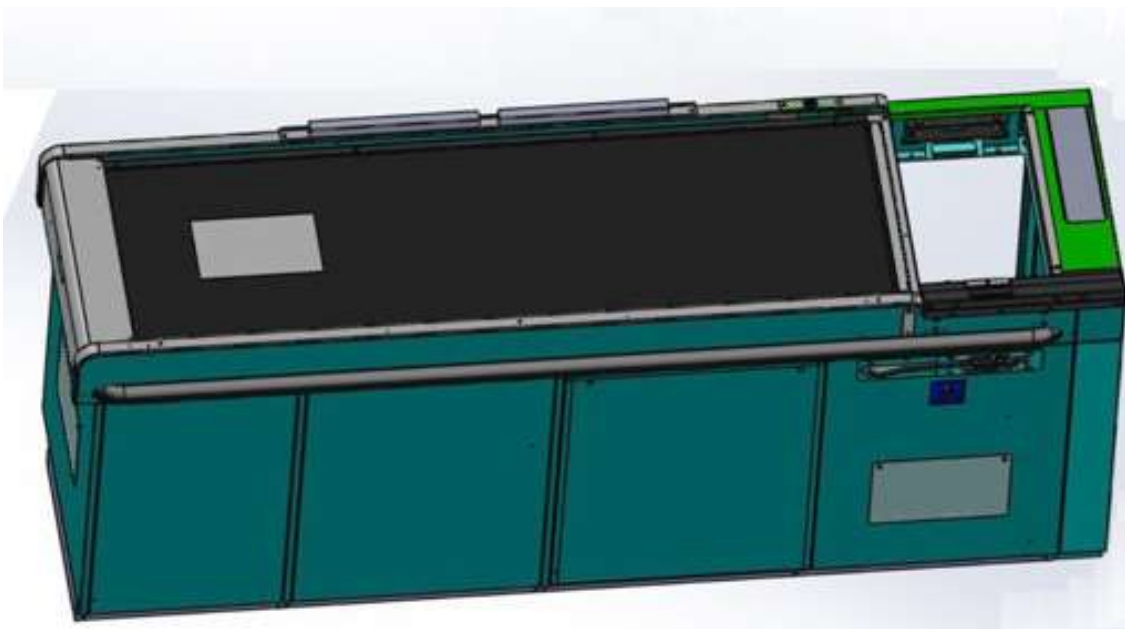
Left Handed Conveyor Cassette Design

Article # 100528648

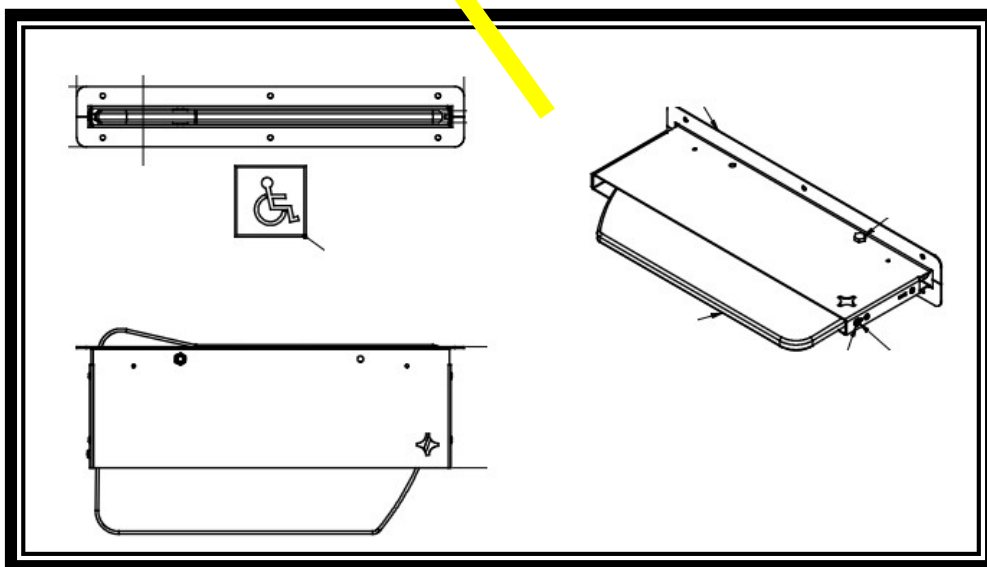
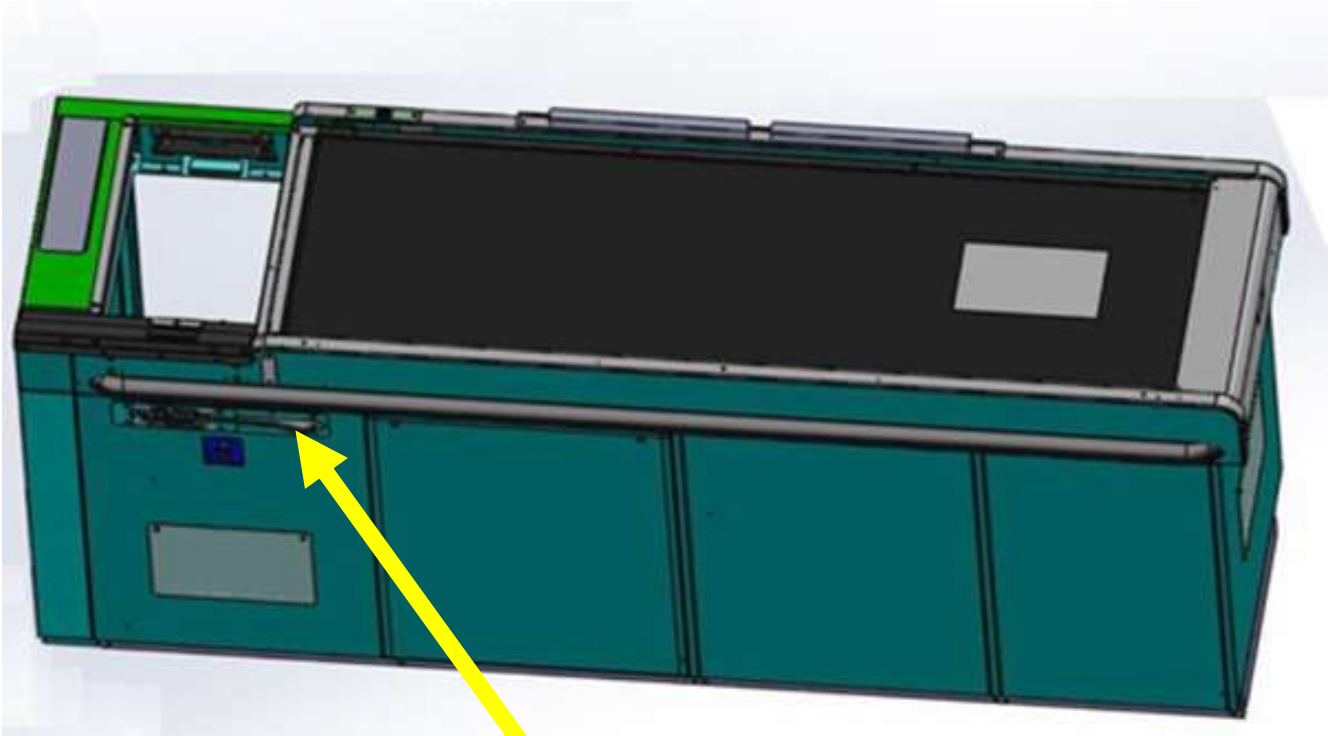
Pan Oston # BM-138598-8-LH

Article # 100624469

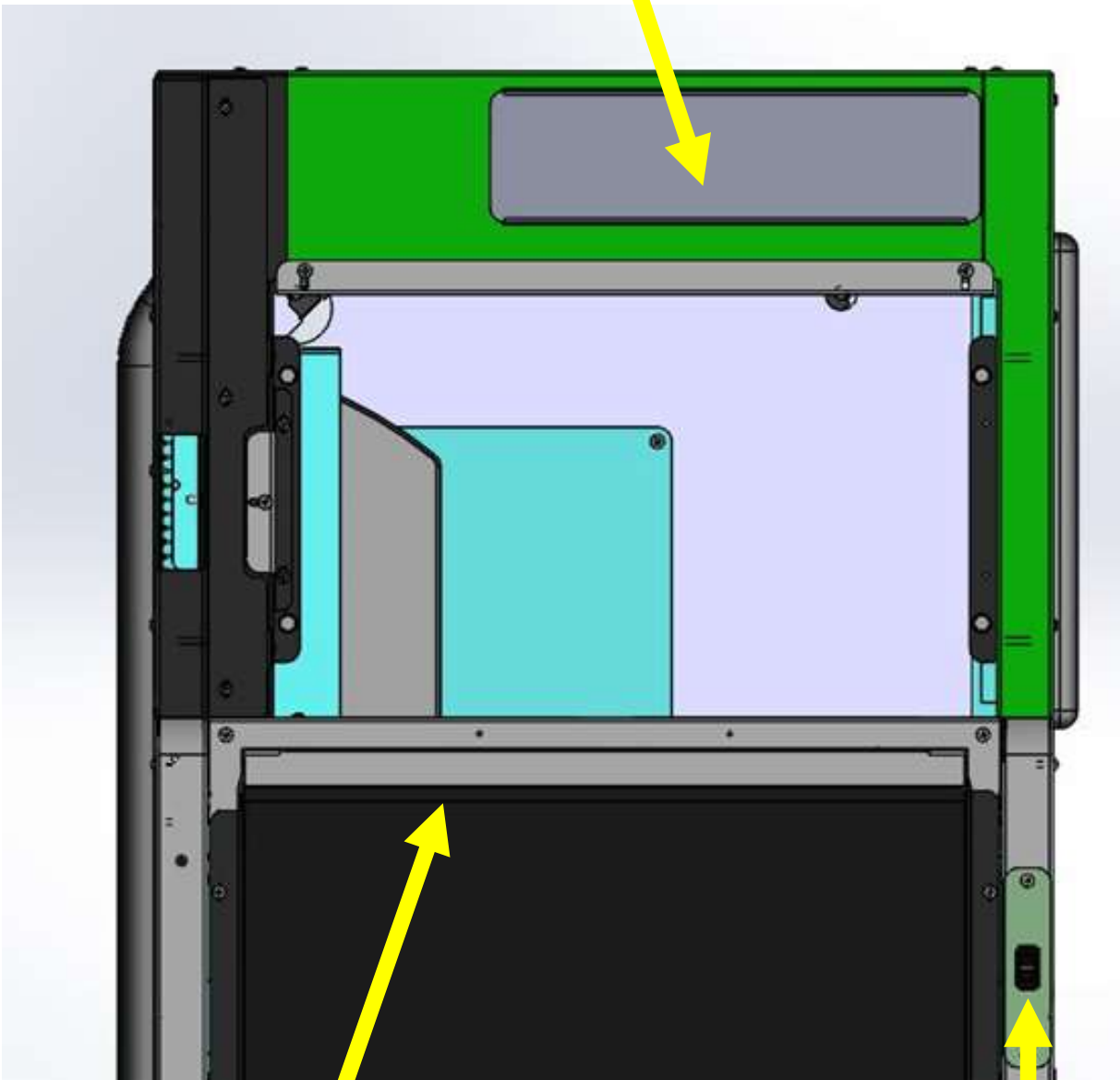
Pan Oston # BM-138598-6-LH



Conveyor Cassette Design
ADA Check Shelf Kit
Article # 100519249
Pan Oston # BM-129237-SRV_18441



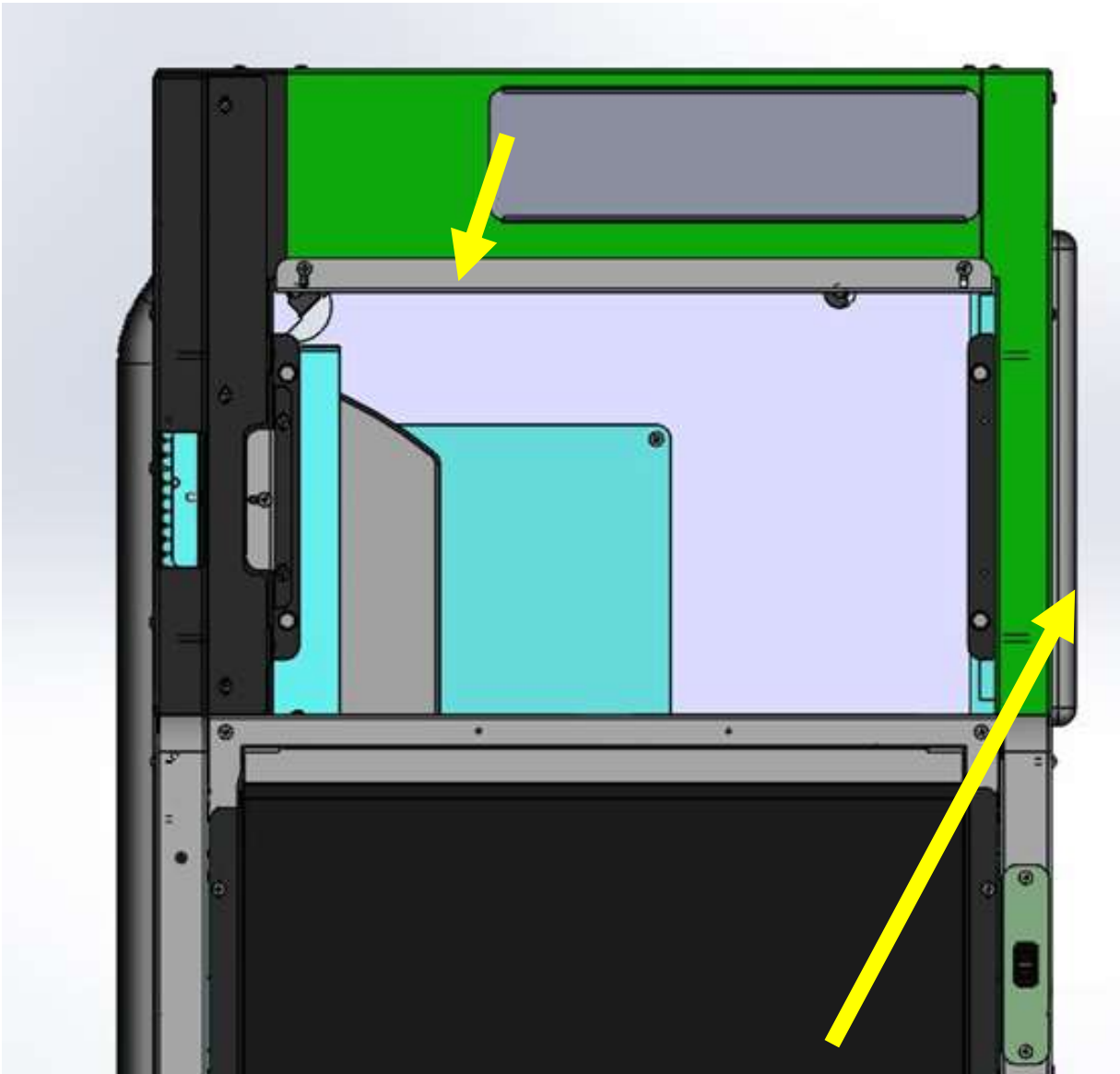
Conveyor Cassette Design
Sensormatic Filler Article # 100017367
Pan Oston # 217046



Plastic Safety Edge Article #100062540
Pan Oston #14014-22

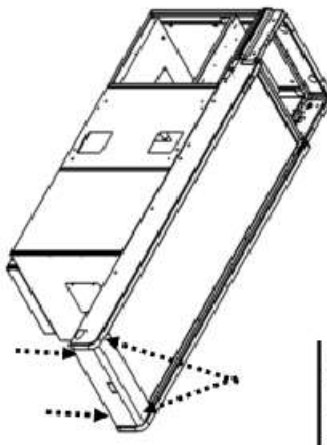
On/Off Switch Article #100532613
Pan Oston # 603-13

Conveyor Cassette Design
Angle Filler Article #N/A
Pan Oston # 122336



Lean Pad Article # 100020807
Pan Oston # BM-137213

BELT REPLACEMENT INSTRUCTIONS



Step 1: Remove the four (4) screws attaching the **Nose Cover** onto the lane.

Step 2: Remove the eight (8) screws securing the **Conveyor Cassette Assembly** to the lane.

Step 3: Slide the **Conveyor Cassette Assembly** forward and unplug the motor from the belt control system

Step 4: Following **Team Lift Procedure** remove the **Conveyor Cassette Assembly** from the conveyor cabinet and gently set it on the floor.

Step 5: Using a 9/16 wrench or socket, loosen the two (2) **tension bolts** on the **Conveyor Cassette Assembly** and slide the belt off of the **Cassette Frame**.

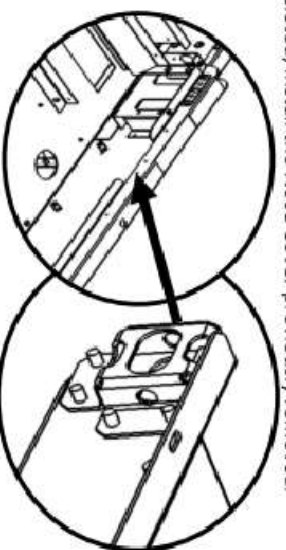
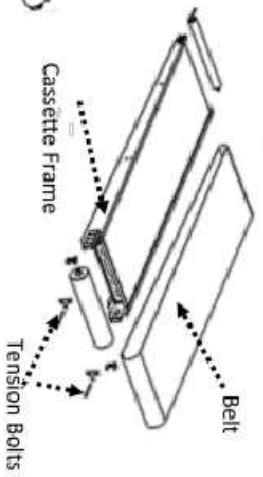
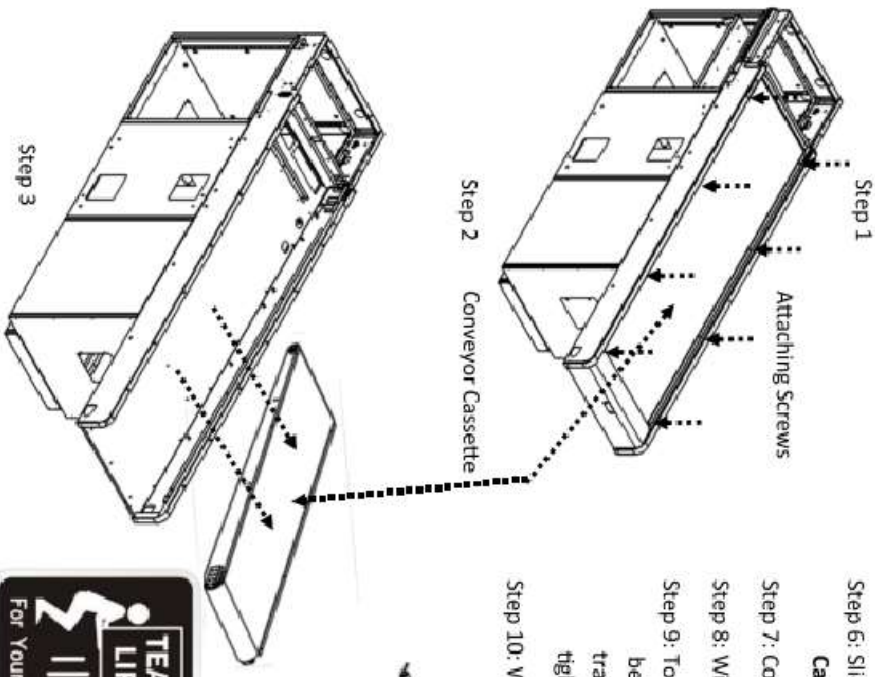
Step 6: Slide the new belt onto the **Cassette Frame** and tighten the belt until snug and set the **Conveyor Cassette Assembly** back into **Conveyor Cabinet**.

Step 7: Connect the motor connection previously unplugged.

Step 8: With the **Conveyor Cassette Assembly** pulled forward, turn the belt on to operate the belt.

Step 9: To adjust the belt tracking, if the belt is too close to the **Cashier** side tighten that tension bolt, if the belt is too close to the **Customer** side tighten that side. Once the belt is running centered, if the belt tracking needs to be adjusted, tighten the 9/16 bolts slightly. If the belt is too close to the **Cashier** side tighten that tension bolt, if the belt is too close to the **Customer** side tighten that side.

Step 10: When the belt tracking and tension has been completed, install the **Nose Cover** previously removed.



Notch in Frame

Idler Bracket

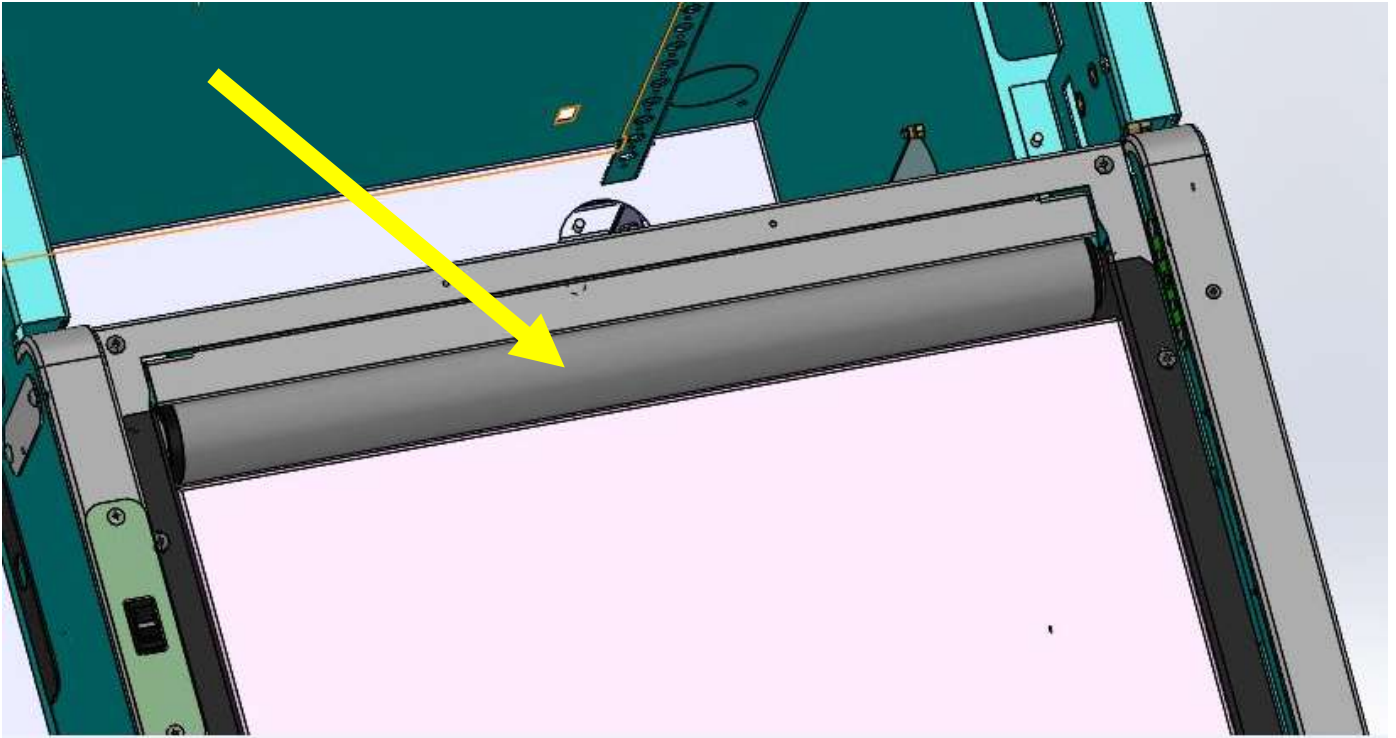
NOTE:

When removing the **Conveyor Cassette** it must be pulled forward and the **idler bracket** aligned with the frame notch.

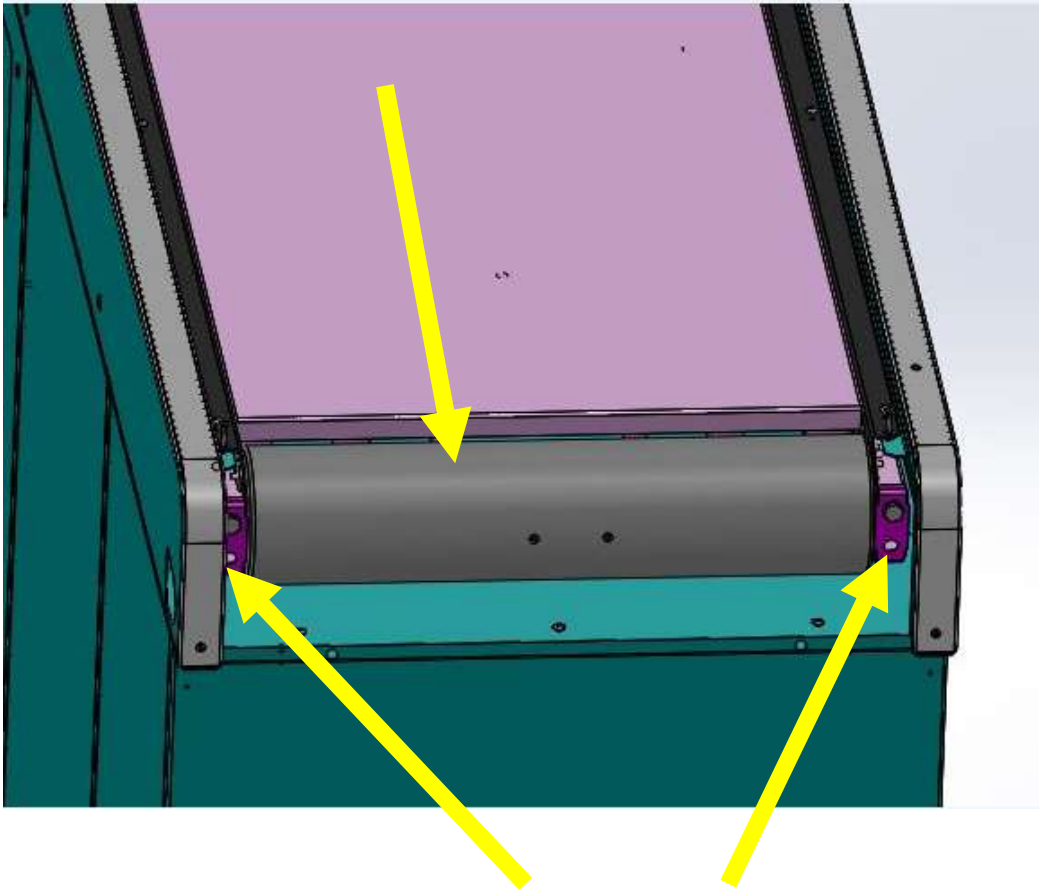


For assistance with this service please contact the Pan-Osion Field Operations Department at 800-472-6678

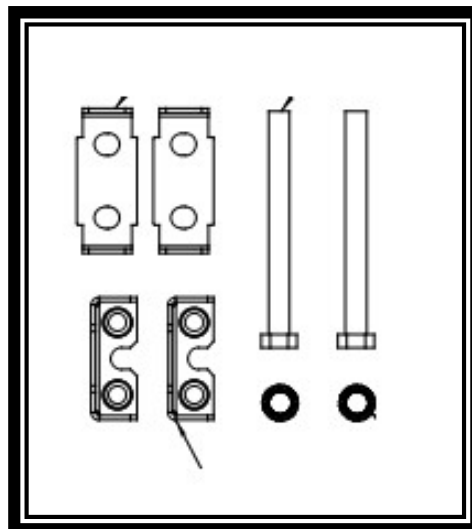
Cassette Design
Idler Flat 500mm Article #N/A
Pan Oston # 103503-500
(Note the belt has been hidden for reference)



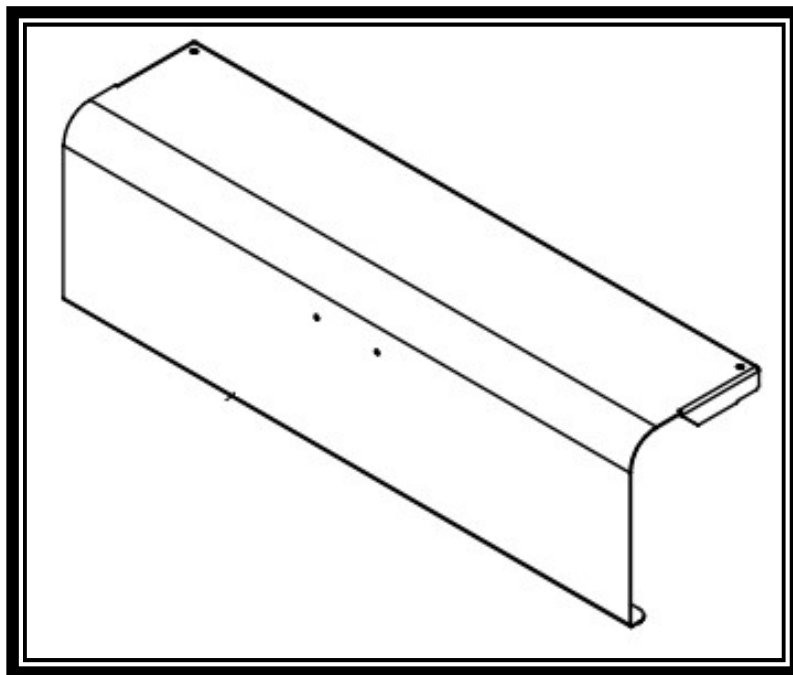
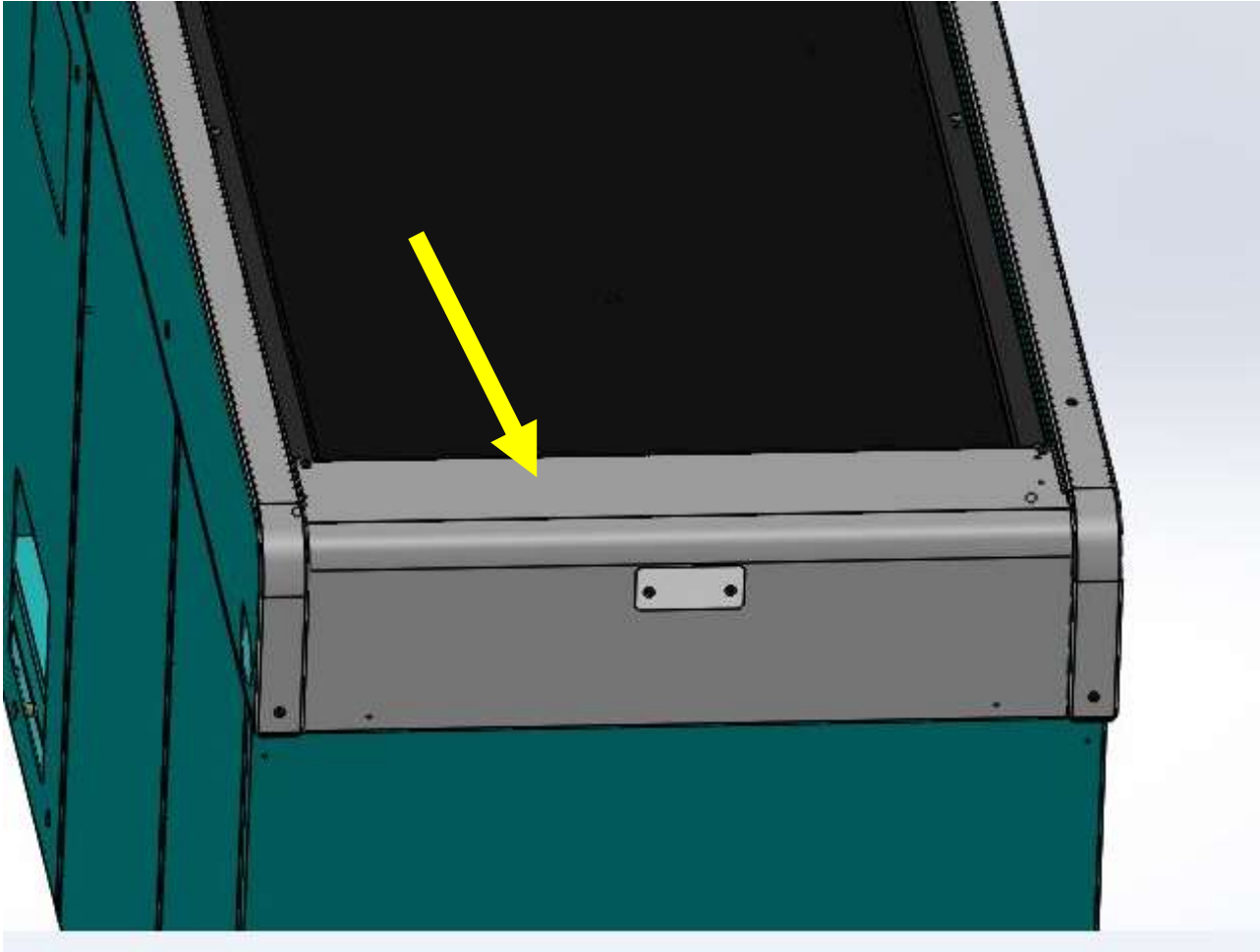
Cassette Design
20" Motor Article #N/A
Pan Oston # 105955-508
(Note the belt has been hidden for reference)



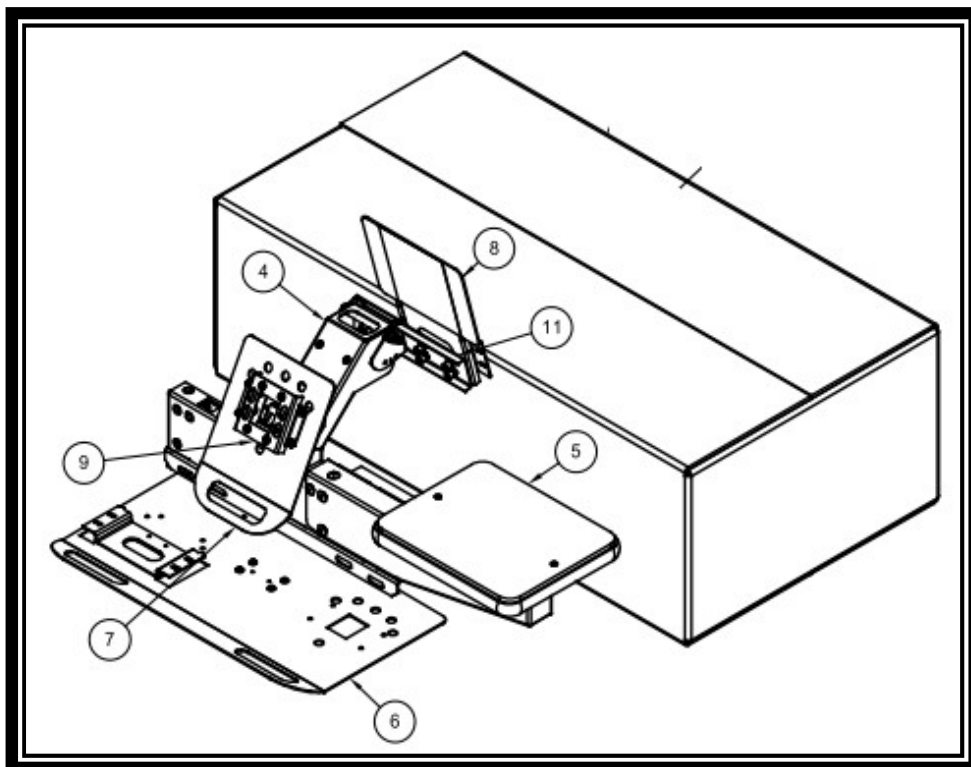
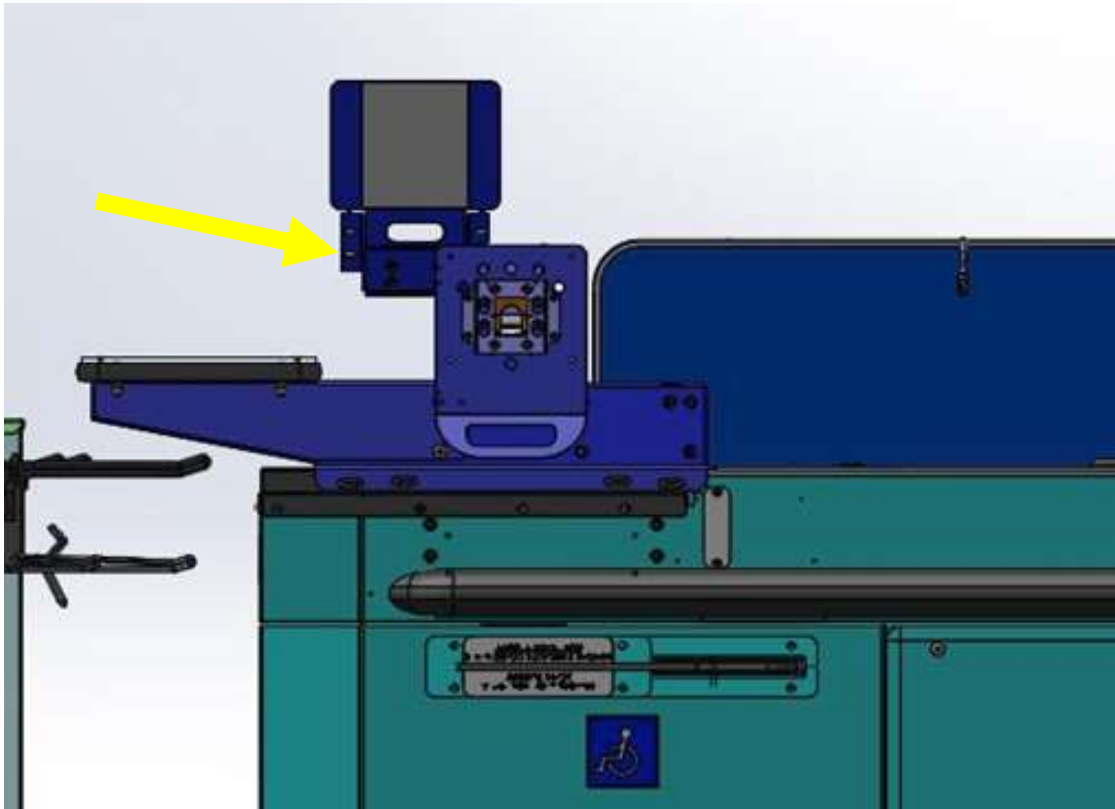
Motor Bracket Service Kit Article #N/A
Pan Oston # BM-129231-SRV
(Comes with two brackets and parts)



Cassette Design
Stainless Steel Nose Cover Article #N/A
Pan Oston # 241415



Wal-Mart Universal Accessory Stand Kit
Article #100590296
Pan Oston # BM-132895-KIT



Lane Closed Sign Article #100020804
Pan Oston # 19851

Bottom of Basket Security Mirror
Article # N/A
Pan Oston # 235360

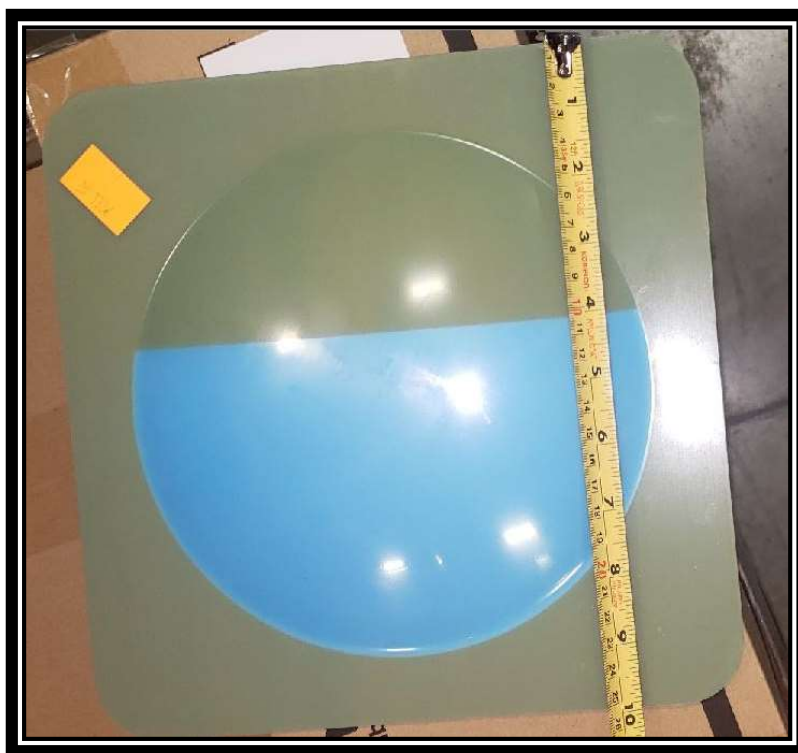
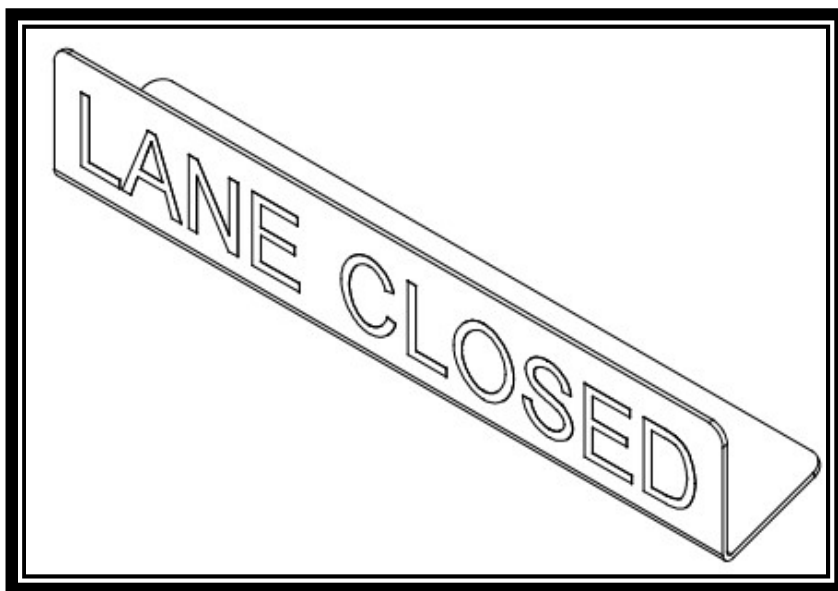
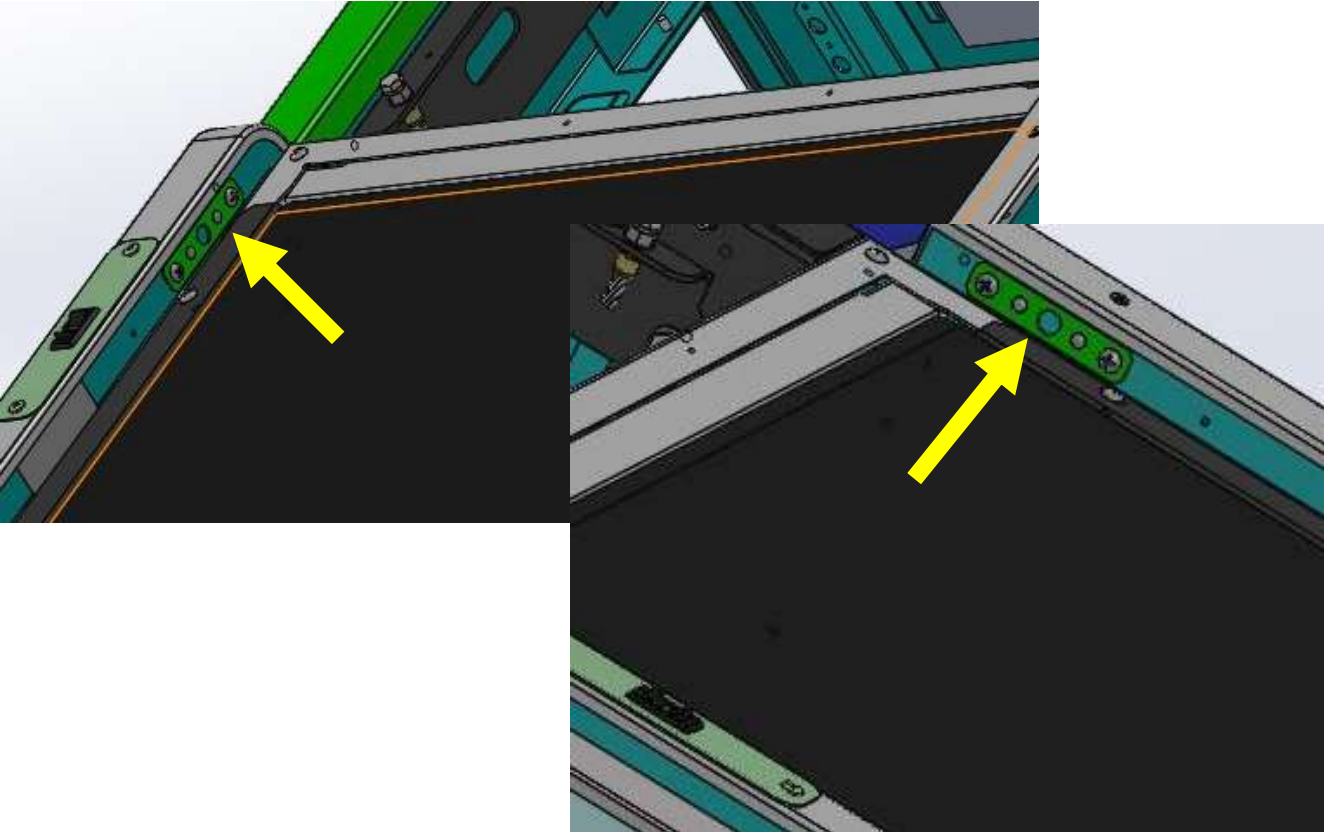


Photo Eye
2 Wire Source Article #100523360
Pan Oston # 83268

4 Wire Receiver Article #100523361
Pan Oston # 83269

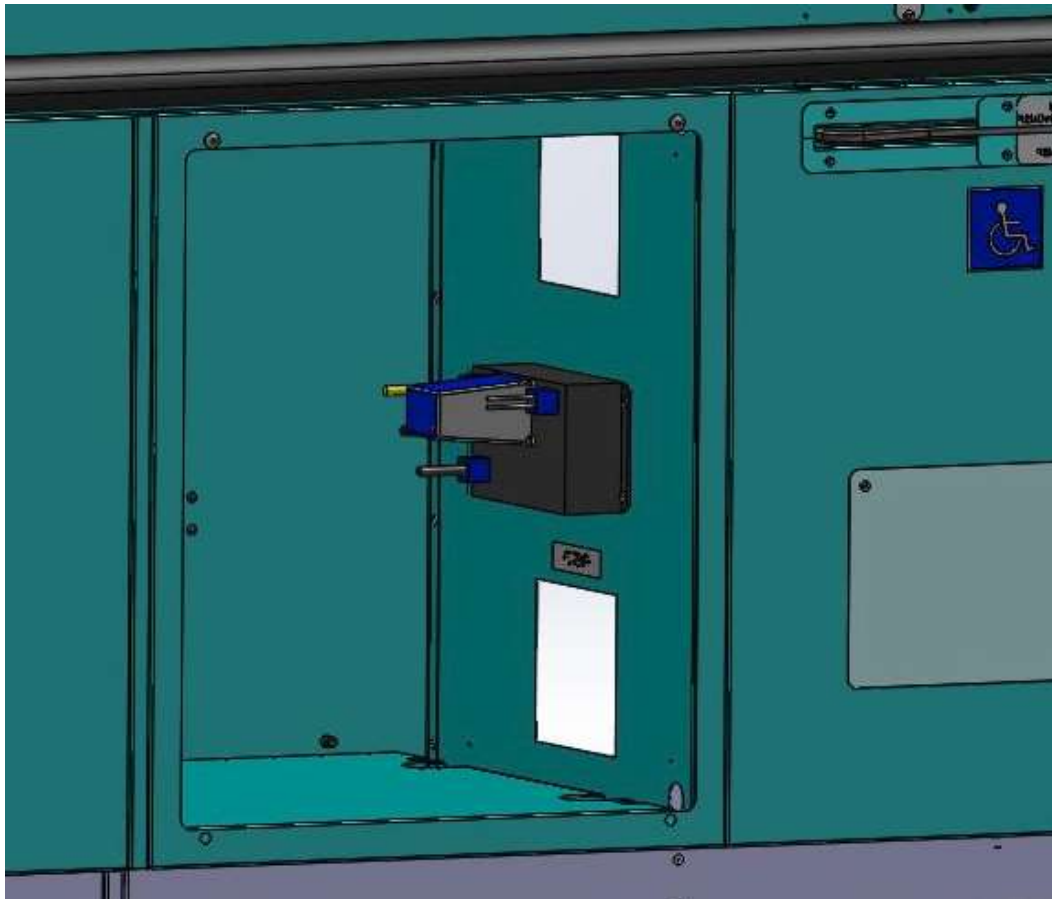
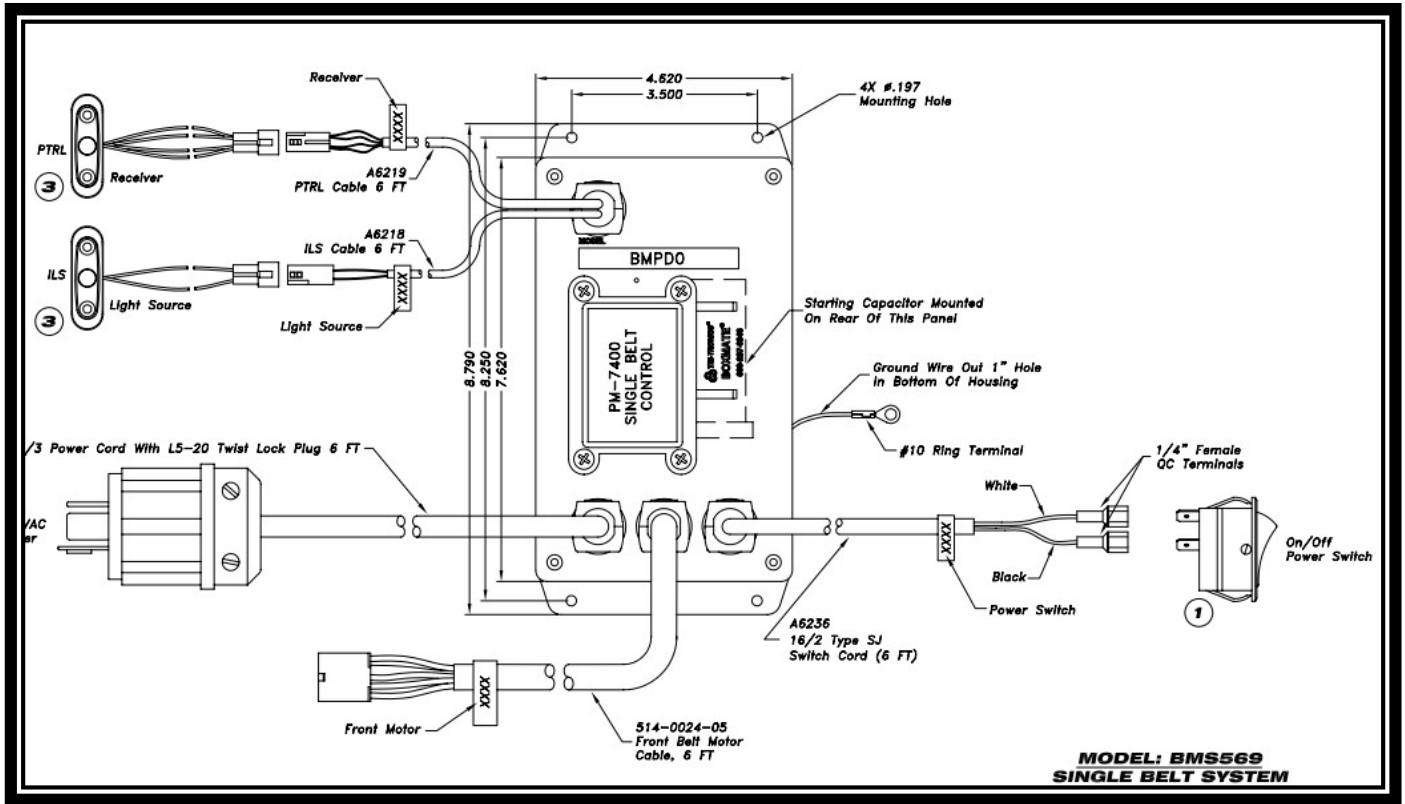


Wal-Mart Electrical Package for Entire Conveyor

Article #100666660

Pan Oston # 105923

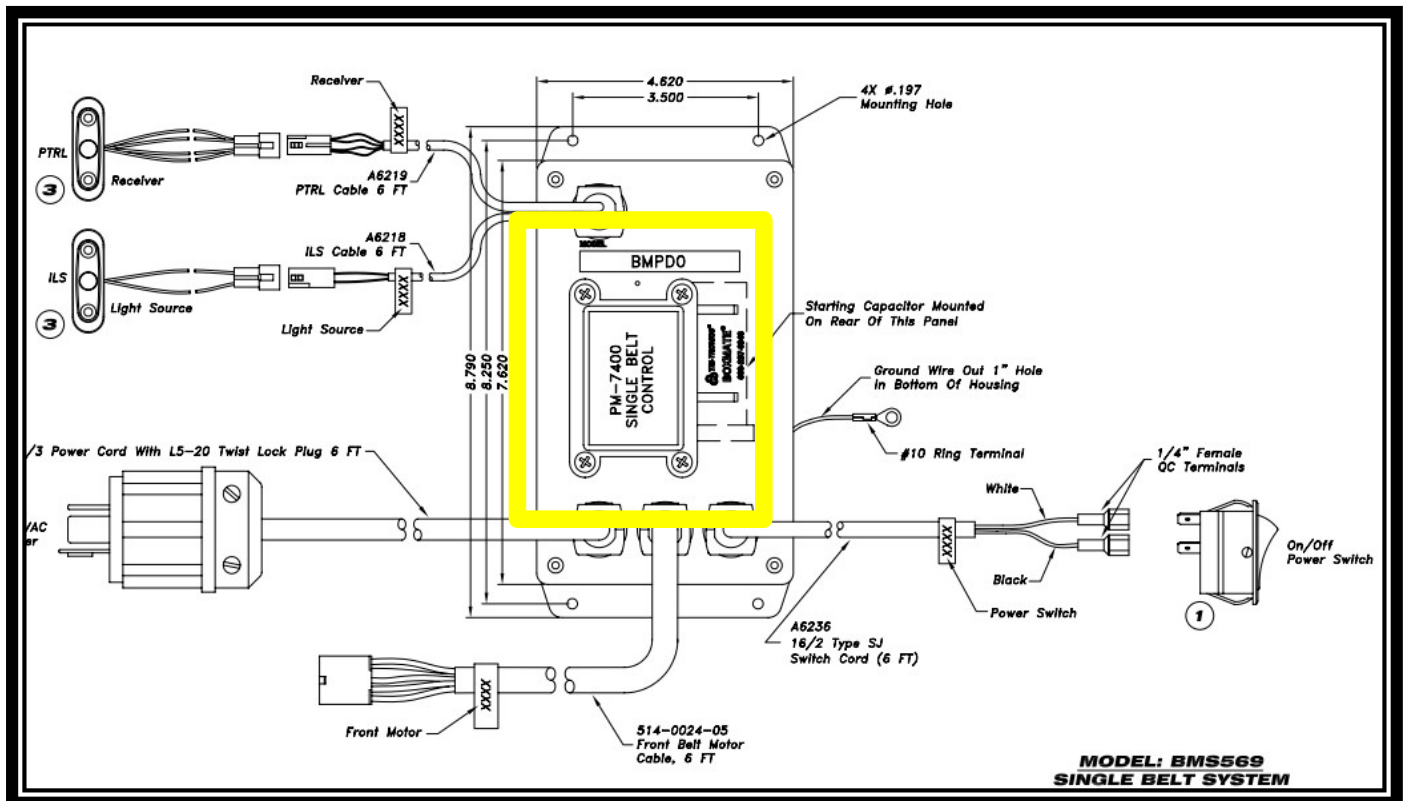
(Access Panel has been removed for reference)



PM-7400 Control Module for Electrical Package

Article #100666661

Pan Oston # 104373



Wal-Mart Power Cord for Power Pole
(Pigtail connection)
Article #100583829
Pan Oston # 57476



2" Rigid Bumper Components

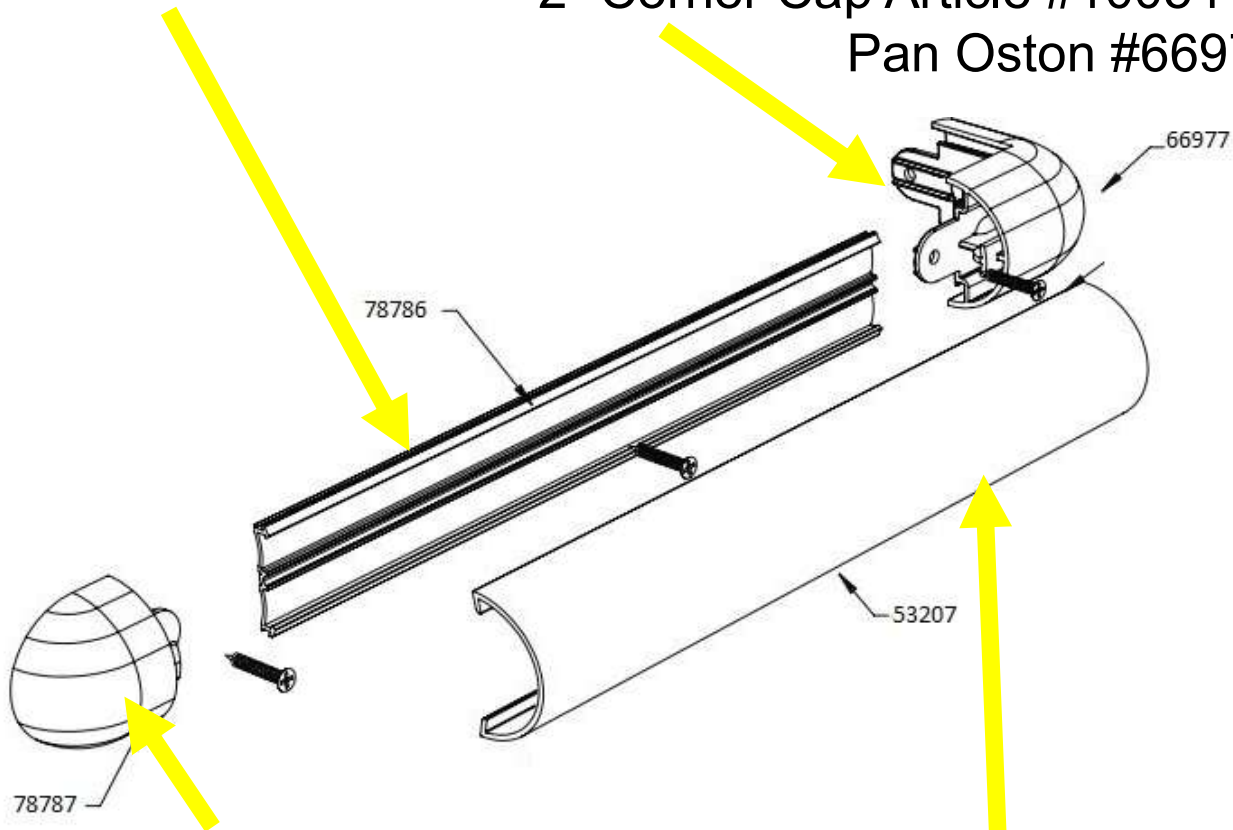
12' Roll of Bumper Mounting Track

Article #100509319

Pan Oston # 78786

2" Corner Cap Article #100541374

Pan Oston #66977-B



2" End Cap Article #100509321

Pan Oston # 78787-H

12' Stick of Bumper Article #100521761

Pan Oston # 53207

