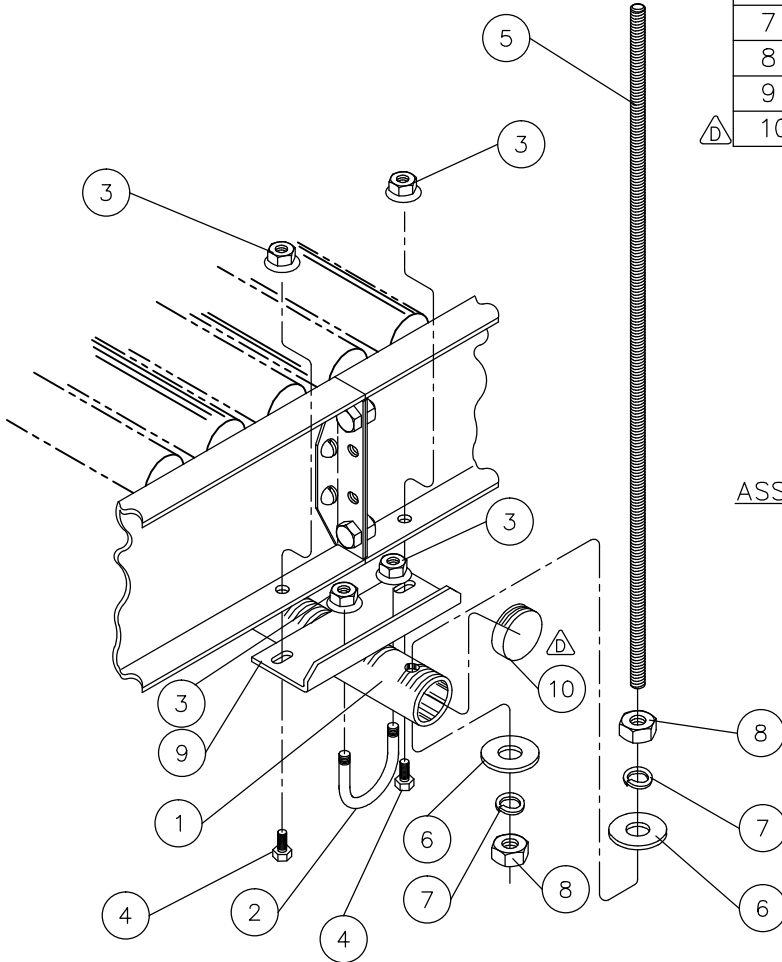


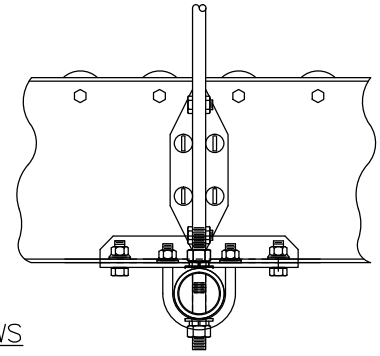
DWG #	HARDWARE LIST #
B17563	16

EXPLODED VIEW
(ONE SIDE SHOWN ONLY)

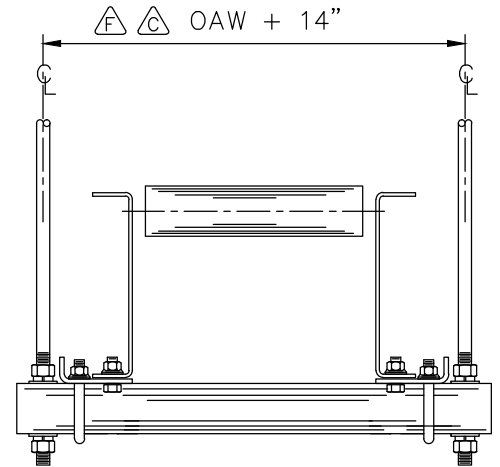


ITEM	DESCRIPTION
1	CEIL HANGER SUP TUBE (A22045)
2	3/8" U-BOLT (23-002)
3	3/8" FLANGE NUT (23-470)
4	3/8"-16 X 1" HHCS (23-420)
5	1/2"-13NC ALL-THD X 96" LG.(23-076)
6	1/2" FLAT WASHER (23-620)
7	1/2" LOCK WASHER (23-615)
8	1/2"-13 NUT (23-625)
9	CEILING HANGER SUP ANG (B17563)
10	END CAP (24-725)

ASSEMBLED VIEWS



SIDE VIEW



END VIEW

REV.	INT.	DATE	CHANGES	ECO#
G	CLR	09/26/05	AD'D CHART FOR HARDWARE LIST	8417
F	CLR	04/01/04	OAW + 14" WAS OAW + 16"	8141
E	TRS	10/2/02	ADDED PART NOS TO DESC,CHD NEXT ASSY NO	7934
D	TRS	8/15/02	ADDED ITEM 10,(24-831 TO TITLE , NEXT ASSY WAS B22346-00-000H	7912
C	MTR	11/15/01	OAW + 16" WAS OAW + 14"	7648
B	RJW	11/23/99	CHANGED #2 & #9	6535
A	RJW	6/1/99	RELEASED	

FO No.	TITLE		
DIST.	CEIL HANG SUP ASSY (24-831)		
USER			
 AUTOMATED ACSI CONVEYOR SYSTEMS, INC. WEST MEMPHIS, ARKANSAS	TOLERANCES: DECIMAL ±.03125"		DATE
	DESIGNED BY:	CHECKED BY: DATE	6/1/99
	DRAWN BY:	APPROVED BY: DATE	SCALE
	R. WILLIAMS		REV. G
		NEXT ASSEMBLY	
		A22045	
		DRAWING NUMBER	
		FAD-101	