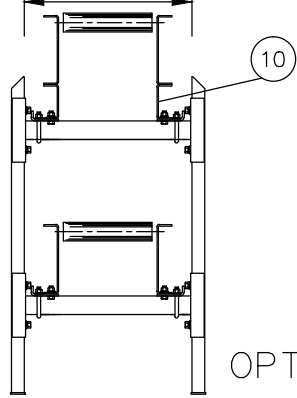


INTER OAW + 3.5"
END DR OAW + 10"



END VIEW

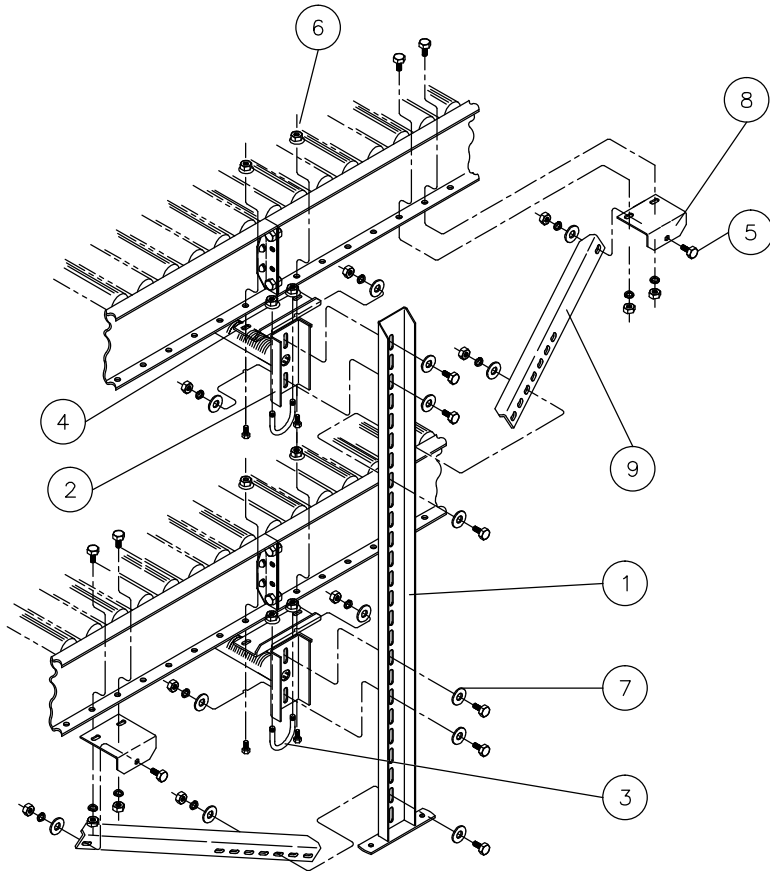
OPTIONAL

DWG #	HARDWARE LIST #
B17563	16
A22051	20
B17546	17
B19245	47
B19558	112

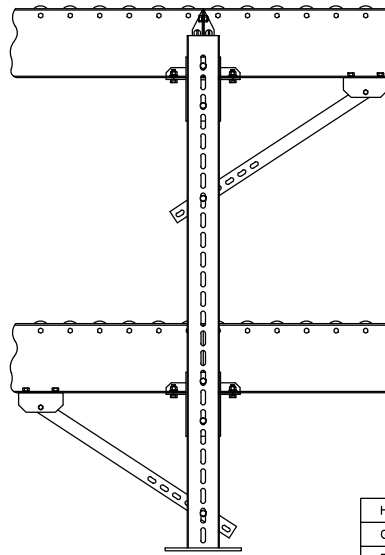
ITEM	DESCRIPTION
1	POLY SGL LEG SUPT B19603-00-000H
2	POLY SUPT TUBE WLDMT B19558-00-000H
3	3/8" U-BOLT 23-002
4	POLY/CEILING SUP ANG B17563-00-000H
5	3/8" X 1" BOLT 23-410
6	3/8"-16 FLANGE NUT 23-470
7	3/8" WASHER 23-430
8	KNEEBRACE BRKT A22051-00-000G
9	KNEEBRACE B19245-00-000H
10	END DRIVE SPACER B17546-00-000H

TYPICAL
ALL

OPTIONAL



EXPLODED VIEW



SIDE VIEW

H	SW	06/30/09	REVISED KB PART # TO B19245-00-000H	8995
G	CLR	09/26/05	AD'D CHART FOR HARDWARE LIST	8417
F	CLR	09/07/05	N/A B19558 WAS B19557	8406
E	SW	06/30/05	AD'D PART#'S TO BOM	8371
D	SW	08/15/02	AD'D PART#24-832 TO TITLE BLOCK	7912
C	S.T.	03/14/01	CHG TITLEBLOCK & ADDED # 10 END SPACERS TO DWG & BOM	7368
B	CJD	12/14/99	REDESIGNED	6531
REV.	INT.	DATE	CHANGES	ECO#

FO No.		TITLE		
DIST.		POLYTIER SUPPORT ASSY (FAD) 24-832		
USER				
 AUTOMATED CONVEYOR SYSTEMS, INC. WEST MEMPHIS, ARKANSAS		TOLERANCES: DECIMAL ±0.03125", ANGULAR ±1' UNLESS OTHERWISE SPECIFIED		DATE 02/05/99
		DESIGNED BY: T.S.	CHECKED BY: DATE	SCALE 13
		DRAWN BY: R. WILLIAMS	APPROVED BY: DATE	REV. H DRAWING NUMBER FAD-102