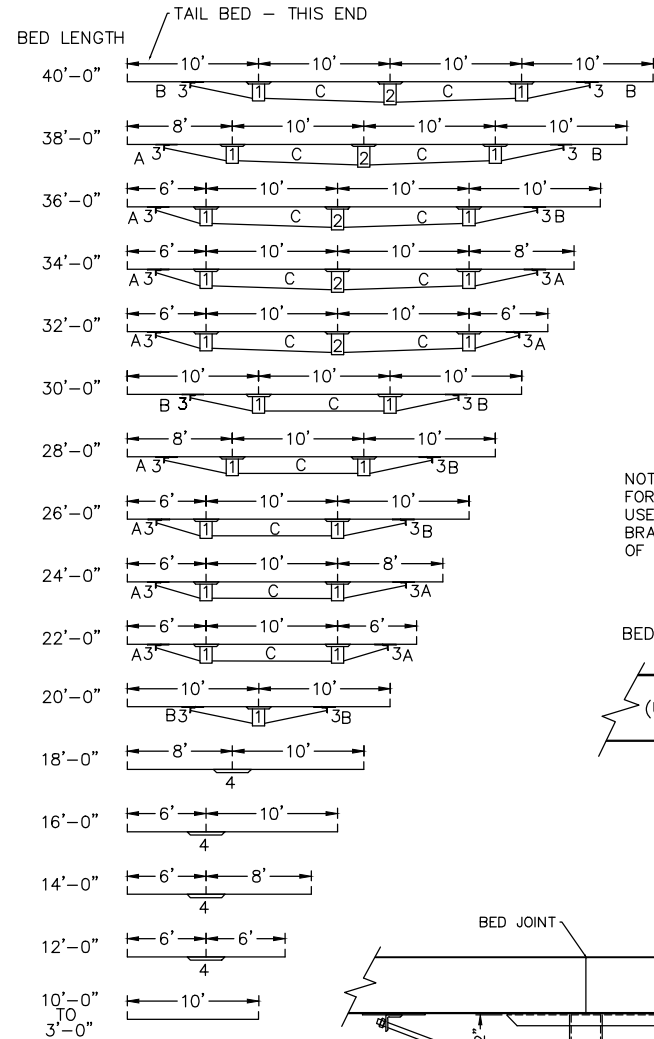


Purpose of trussing system is to support beds @ joints where floor supports or ceiling hangers are prohibited.

The allthread rods should be adjusted as necessary with minimum tension to prevent bed sag @ joint.

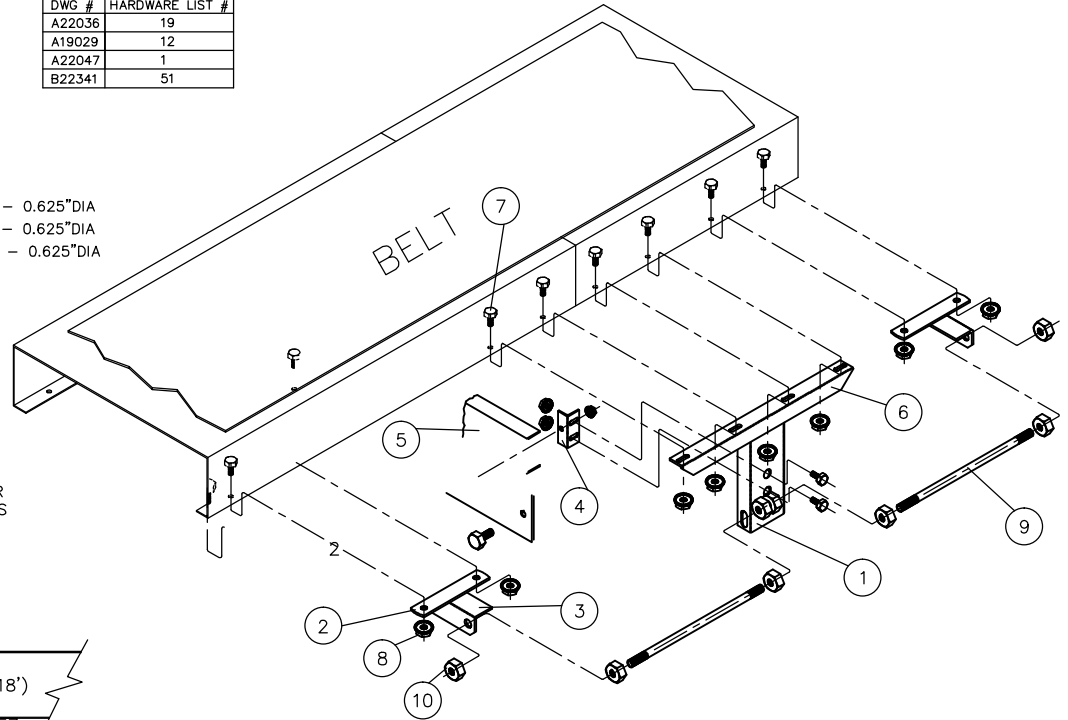
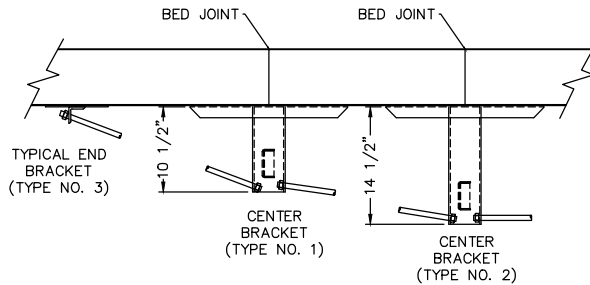
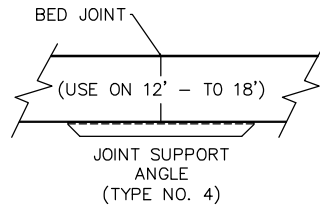
ITEM	DESCRIPTION	ITEM	DESCRIPTION
6	U/SIDE TRUSS ANG ** (A22036)	1	TRUS CTR BRKT ** (A22050)
7	3/8"-16 X 3/4" HHCS	2	HD FOOT PLATE A17000
8	3/8" FLANGE NUT	3	END TRUS ANG A22153
9	5/8" ALTHREAD	4	MD BOLT IN BUTT CPLG A19029
10	5/8"-11 ZN HEX NUT	5	U/TRUSS XBRACE A22047



DWG #	HARDWARE LIST #
A22036	19
A19029	12
A22047	1
B22341	51

ROD TYPES
 TYPE "A" - 50" LG. - 0.625"DIA
 TYPE "B" - 62" LG. - 0.625"DIA
 TYPE "C" - 119" LG. - 0.625"DIA

NOTE:
 FOR CENTER DRIVE
 USE TYPE NO. 2 CENTER
 BRACKET ON BOTH SIDES
 OF DRIVE.



F	CLR	09/27/05	AD'D CHART FOR HARDWARE LIST	8417
A	DLG	12/18/97	RELEASED	
REV.	INT.	DATE	CHANGES	ECO#
FO No.			TITLE	
DIST.			FIELD ASSY DWG/UNDER TRUSSING 24-839	
USER				
AUTOMATED		TOLERANCES: DECIMAL ±0.03125", ANGULAR ±1" UNLESS OTHERWISE SPECIFIED		DATE 12/18/97
CONVEYOR SYSTEMS, INC.		DESIGNED BY: D. GOACHER	CHECKED BY:	DATE
WEST MEMPHIS, ARKANSAS		DRAWN BY: D. GOACHER	APPROVED BY:	DATE
			SCALE 1/8"=1"	NEXT ASSEMBLY B22341/B22342
			REV. F	DRAWING NUMBER FAD-109